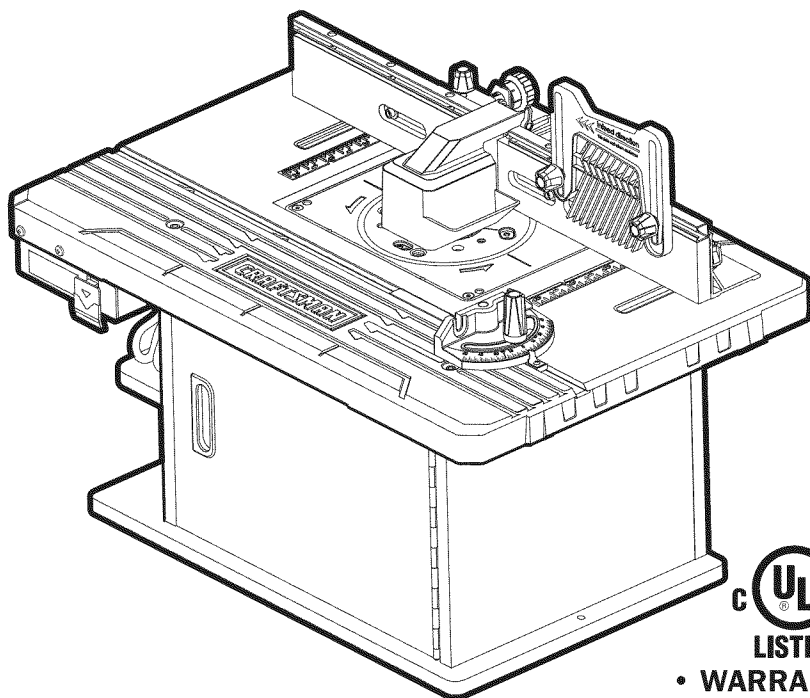


Operator's Manual

CRAFTSMAN®

PREMIUM DIE CAST ALUMINUM ROUTER TABLE

Model No. 320.37610



UL US
LISTED

- WARRANTY
- SAFETY
- DESCRIPTION
- UNPACKING
- ASSEMBLY
- OPERATION
- MAINTENANCE

▲ WARNING: To reduce the risk of injury, the user must read and understand the Operator's Manual before using this product.

Sears Brands Management Corporation, Hoffman Estates,
IL 60179 U.S.A.

www.craftsman.com

TABLE OF CONTENTS

Warranty	Page 2
Safety Symbols	Pages 4-5
Safety Instructions	Pages 6-9
Description	Pages 10-11
Unpacking	Pages 12-14
Assembly	Pages 15-24
Operation	Pages 25-29
Maintenance	Page 30
Troubleshooting	Page 30
Parts List	Pages 31-33

CRAFTSMAN ONE YEAR LIMITED WARRANTY

FOR ONE YEAR from the date of purchase, this product is warranted against any defects in material or workmanship. With proof of purchase, defective product will be replaced free of charge.

For warranty coverage details to obtain free replacement, visit the web site: www.craftsman.com

This warranty is void if this product is ever used while providing commercial services or if rented to another person.

This warranty gives you specific legal rights, and you may also have other rights which vary from state to state.

Sears Brands Management Corporation, Hoffman Estates, IL 60179

This router table has many features for making its use more pleasant and enjoyable. Safety, performance, and dependability have been given top priority in the design of this product making it easy to maintain and operate.

SAVE THESE INSTRUCTIONS!

READ ALL INSTRUCTIONS!

⚠ DANGER: People with electronic devices, such as pacemakers, should consult their physician(s) before using this product. Operation of electrical equipment in close proximity to a heart pacemaker could cause interference or failure of the pacemaker.

⚠ WARNING: Some dust created by power sanding, sawing, grinding, drilling and other construction activities contains chemicals known to the State of California to cause cancer, birth defects or other reproductive harm. Some examples of these chemicals are:

- Lead from lead-based paints,
- Crystalline silica from bricks and cement and other masonry products, and
- Arsenic and chromium from chemically-treated lumber.

Your risk from these exposures varies, depending on how often you do this type of work. To reduce your exposure to these chemical: work in a well ventilated area, and work with approved safety equipment, such as dust masks that are specially designed to filter out microscopic particles.

SAFETY SYMBOLS

The purpose of safety symbols is to attract your attention to possible dangers. The safety symbols and the explanations with them deserve your careful attention and understanding. The symbol warnings do not, by themselves, eliminate any danger. The instructions and warnings they give are no substitutes for proper accident prevention measures.

⚠ WARNING: Be sure to read and understand all safety instructions in this Operator's Manual, including all safety alert symbols such as "**DANGER**," "**WARNING**," and "**CAUTION**" before using this tool. Failure to following all instructions listed below may result in electric shock, fire, and/or serious personal injury.

SYMBOL MEANING

SAFETY ALERT SYMBOL: Indicates **DANGER**, **WARNING**, or **CAUTION**. May be used in conjunction with other symbols or pictographs.

⚠ DANGER: Indicates an imminently hazardous situation, which, if not avoided, will result in death or serious injury.

⚠ WARNING: Indicates a potentially hazardous situation, which, if not avoided, could result in death or serious injury.

⚠ CAUTION: Indicates a potentially hazardous situation, which, if not avoided, could result in minor or moderate injury.

Damage Prevention and Information Messages

These inform the user of important information and/or instructions that could lead to equipment or other property damage if they are not followed. Each message is preceded by the word "NOTICE," as in the example below:

NOTICE: Equipment and/or property damage may result if these instructions are not followed.

⚠ WARNING: To ensure safety and reliability, all repairs should be performed by a qualified service technician.



⚠ WARNING: The operation of any power tools can result in foreign objects being thrown into your eyes, which can result in severe eye damage. Before beginning power tool operation, always wear safety goggles or safety glasses with side shields and a full face shield when needed. We recommend a Wide Vision Safety Mask for use over eyeglasses or standard safety glasses with side shields. Always use eye protection which is marked to comply with ANSI Z87.1.

SAVE THESE INSTRUCTIONS

Some of the following symbols may be used on this tool. Please study them and learn their meaning. Proper interpretation of these symbols will allow you to operate the tool better and more safely.

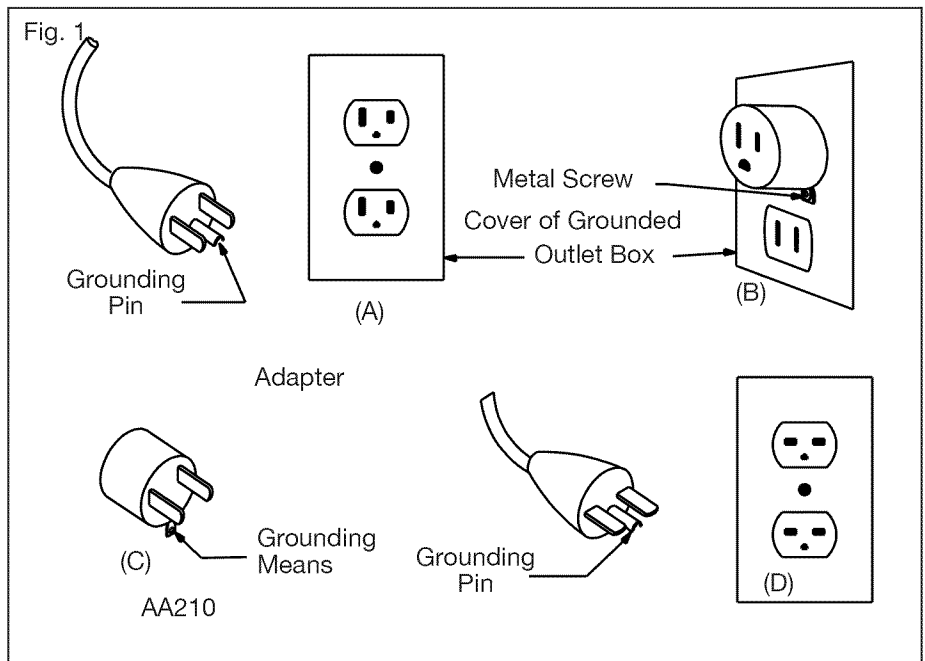
SYMBOL	NAME	DESIGNATION/EXPLANATION
V	Volts	Voltage
A	Amperes	Current
Hz	Hertz	Frequency (cycles per second)
W	Watt	Power
min	Minutes	Time
~	Alternating Current	Type of current
≡	Direct Current	Type or a characteristic of current
n_0	No Load Speed	Rotational speed, at no load
	Class II Construction	Double-insulated construction
.../min	Per Minute	Revolutions, strokes, surface speed, orbits, etc., per minute
	Wet Conditions Alert	Do not expose to rain or use in damp locations.
	Read The Operator's Manual	To reduce the risk of injury, user must read and understand operator's manual before using this product.
	Eye Protection	Always wear safety goggles or safety glasses with side shields and a full face shield when operating this product.
	Safety Alert	Precautions that involve your safety.
	No-Hands Symbol	Failure to keep your hands away from the blade will result in serious personal injury.
	No-Hands Symbol	Failure to keep your hands away from the blade will result in serious personal injury.
	No-Hands Symbol	Failure to keep your hands away from the blade will result in serious personal injury.
	No-Hands Symbol	Failure to keep your hands away from the blade will result in serious personal injury.
	Hot Surface	To reduce the risk of injury or damage, avoid contact with any hot surface.

SAFETY INSTRUCTIONS

GROUNDING INSTRUCTIONS

- **In the event of a malfunction or breakdown, grounding provides a path of least resistance for electric current to reduce the risk of electric shock.** This tool is equipped with an electric cord having an equipment-grounding conductor and a grounding plug. The plug must be plugged into a matching outlet that is properly installed and grounded in accordance with all local codes and ordinances.
- **Do not modify the plug provided – if it will not fit the outlet, have the proper outlet installed by a qualified electrician.**
- **Improper connection of the equipment-grounding conductor can result in a risk of electric shock.** The conductor with insulation having an outer surface that is green with or without yellow stripes is the equipment-grounding conductor. If repair or replacement of the electric cord or plug is necessary, do not connect the equipment-grounding conductor to a live terminal.
- **Check with a qualified electrician or service personnel if the grounding instructions are not completely understood, or if in doubt as to whether the tool is properly grounded.**
- **Use only 3-wire extension cords that have 3-prong grounding plugs and 3-pole receptacles that accept the tool's plug.**
- **Repair or replace damaged or worn cord immediately.**

This tool is intended for use on a circuit that has an outlet that looks like the one illustrated in Sketch A in Figure 1. The tool has a grounding plug that looks like the plug illustrated in Sketch A in Figure 1. A temporary adapter, which looks like the adapter illustrated in Sketches B and C, may be used to connect this plug to a 2-pole receptacle as shown in Sketch B if a properly grounded outlet is not available. The temporary adapter should be used only until a properly grounded outlet can be installed by a qualified electrician. The green-colored rigid ear, lug, and the like, extending from the adapter must be connected to a permanent ground such as a properly grounded outlet box.



- **Keep guards in place and in working order.**
- **Remove adjusting keys and wrenches.** Form the habit of checking to see that keys and adjusting wrenches are removed from the tool before turning it on.
- **Keep the work area clean. Cluttered areas and benches invite accidents.**
- **Don't use in dangerous environments.** Don't use power tools in damp or wet locations, or expose them to rain. Keep the work area well lit.
- **Keep children away.** All visitors should be kept a safe distance from the work area.
- **Make the workshop child proof** with padlocks, master switches, or by removing starter keys.
- **Don't force the tool.** It will do the job better and more safely at the rate for which it was designed.

- **Use the right tool.** Don't force a tool or attachment to do a job for which it was not designed.
- **Use a proper extension cord.** Make sure your extension cord is in good condition. When using an extension cord, be sure to use one heavy enough to carry the current your product will draw. An undersized cord will cause a drop in line voltage, resulting in loss of power and overheating. Table 1 shows the correct size to use, depending on cord length and nameplate ampere rating. If in doubt, use the next heavier gage. The smaller the gage number, the heavier the cord.

Table 1: Minimum gage for cord

Ampere Rating		Volts	Total length of cord in feet			
			25 ft	50 ft	100 ft	150 ft
More Than	Not More Than	120V	AWG			
12	16		14	12	Not Recommended	

- **Wear proper apparel.** Do not wear loose clothing, gloves, neckties, rings, bracelets, or other jewelry which may get caught in moving parts. Nonslip footwear is recommended. Wear protective hair covering to contain long hair.
- **Always use safety glasses.** Also use a face or dust mask if the cutting operation is dusty. Everyday eyeglasses only have impact resistant lenses; they are not safety glasses.
- **Secure your work.** Use clamps or a vise to hold work whenever practical. It's safer than using your hand and it frees both hands to operate the tool.
- **Don't overreach.** Keep proper footing and balance at all times.
- **Maintain tools with care.** Keep tools sharp and clean for best and safest performance. Follow instructions for lubricating and changing accessories.
- **Disconnect tools before servicing and when changing accessories, such as blades, bits, cutters, and the like.**
- **Reduce the risk of unintentional starting.** Make sure that the switch is in the off position before plugging in.
- **Use recommended accessories.** Consult the owner's manual for recommended accessories. The use of improper accessories may cause a risk of injury to persons.
- **Never stand on the tool.** Serious injury could occur if the tool is tipped or if the cutting tool is unintentionally contacted.

- **Check damaged parts.** Before further use of the tool, a guard or other part that is damaged should be carefully checked to determine that it will operate properly and perform its intended function – check for alignment of moving parts, binding of moving parts, breakage of parts, mounting, and any other conditions that may affect its operation. A guard or other part that is damaged should be properly repaired or replaced.
- **Direction of feed:** feed work into a blade or cutter only against the direction of rotation of the blade or cutter.
- **Never leave a tool running unattended.** Turn the power off. Don't leave the tool until it comes to a complete stop.

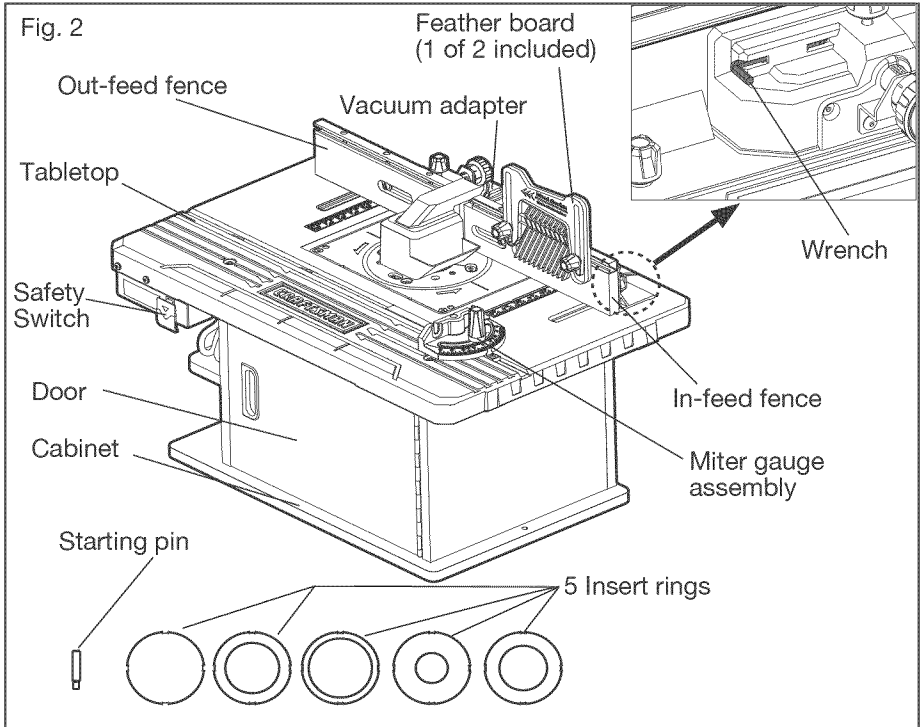
SPECIFIC SAFETY RULES FOR ROUTER TABLES

For Your Own Safety Read Instruction Manual Before Operating Router Table

- **Wear eye protection.**
- **Feed the workpiece against the rotation of cutter.**
- **Do not use awkward hand positions.**
- **Keep fingers away from the revolving cutter – use fixtures when necessary.**
- **Use overhead guard when the adjustable fence is not in place.**
- **Do not expose the table to rain or use in damp location.**

DESCRIPTION

KNOW YOUR ROUTER TABLE (Fig.2)



Your router table has a precision-built electric switch box and it should be connected to only a 120-volt, 60-HZ AC power supply (normal household current). Do not operate on direct current (DC). The large voltage drop would cause a loss of power and the motor would overheat. If the router table does not operate when plugged into correct 120-volt, 60-HZ AC only outlet, check the power supply. The router table comes with an 8-ft. power cord (no adapter needed).

PRODUCT SEPCIFICATIONS		
Switching rating	Input voltage	120V 60Hz AC
	Input ampere	15 Amps
Table size		30 in. x 20 in.
Extended fence overall length		30 in. x 3-3/4 in.
Five insert rings size, inner diameter		1-1/4 in., 1-7/8 in., 2-1/8 in., 2-1/2 in., 1 pc. blank plate

This Router Table has the following features:

1. Durable cast aluminum tabletop (30 in. x 20 in.) for a large, smooth and durable work surface. The tabletop has a 3-1/8 in. router hole with 5 insert rings (1-1/4 in., 1-7/8 in., 2-1/8 in., and 2-1/2 in. openings; 1 blank opening).
2. 2 feather board push blocks with mounting hardware that can be mounted in slots on the fence and table.
3. Integrated safety switch with two outlets. To ensure safety and reliability, the total current drawn on the two units must be less than 15 Amps.
4. Fence provides maximum workpiece support; the fence can be moved 2 in. forward and 2-3/4 in. backward.
5. In-feed and out-feed fences can each be extended 2 inches.
6. Out-feed fence can be adjusted as much as 1/2 in. forward of the in-feed fence for joining operations.
7. Vacuum adapter fits a 2-1/4 in. shop vacuum hose (available separately).
8. Miter gauge adjusts from 0° to 60° in both directions for increased stability in many difficult feed situations.
9. Dust collection/Guard reduces dust dispersal.
10. Above-the-table height adjustment: This bit height on the installed router can be adjusted by turning the adjustment knob clockwise or counterclockwise with a hex wrench (not included). This feature functions only when using the Craftsman Router Table with the following Craftsman router models: 17541, 2767, 27666, 2768, 27683, 27669, 27680, 17542, 28190, and 28084.
11. This router table is suitable for mounting the following Craftsman router models: 17541, 2767, 27666, 2768, 27683, 27669, 27680, 17542, 28190, 28084, 17540, and 17543.

UNPACKING

⚠ WARNING: If any parts are broken or missing, do not attempt to attach the router table to a power source or operate the router table until the broken or missing parts are replaced. Failure to do so could result in serious injury.



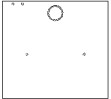

⚠ WARNING: Do not attempt to modify this tool or create accessories not recommended for use with this router table. Any such alteration or modification is misuse and could result in a hazardous condition leading to serious injury.

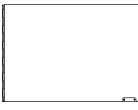


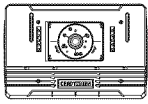
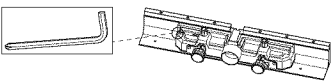
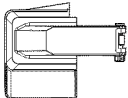
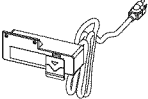

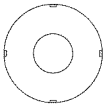
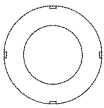
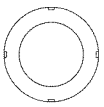
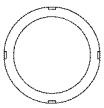
⚠ WARNING: To prevent accidental starting that could cause serious personal injury, always unplug the tool from the power source when assembling parts.

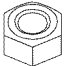



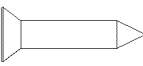

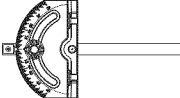


UNPACKING

- Carefully remove the router table and any accessories from the carton. Make sure that all items listed in the packing list are included.
- Inspect the router table carefully to make sure that no breakage or damage occurred during shipping.
- Do not discard the packing material until you have carefully inspected and satisfactorily operated the router table.
- If any parts are damaged or missing, please return the product to the place of purchase.

PACKAGE CONTENTS AND HARDWARE

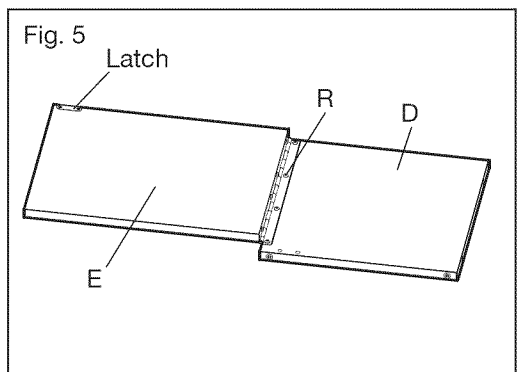
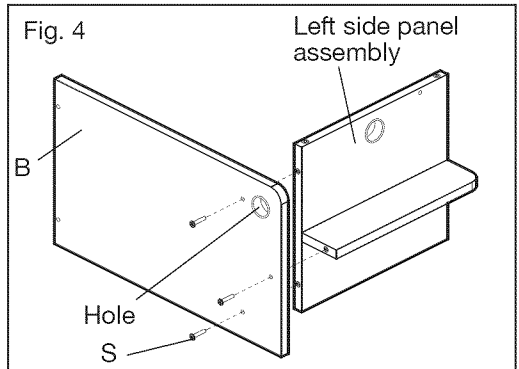
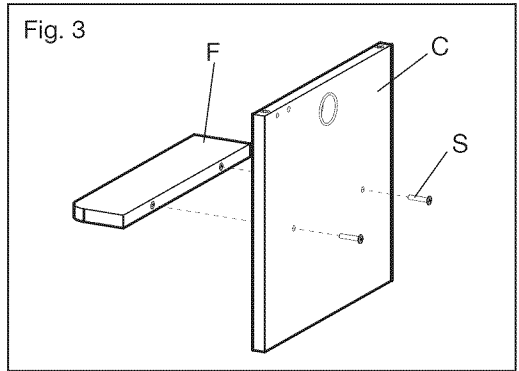
Key NO.	Description	Image	Quantity
A	Bottom panel (with latch attached)		1
B	Back panel		1
C	Left side panel		1
D	Right side panel		1

E	Door (with hinge attached)		1
F	Shelf		1
G	Front panel		1
H	Tabletop (with blank plate attached)		1
I	Fence assembly (with combination wrench attached, Philips and Hex.)		1
J	Protection guard		1
K	Safety Switch		1
L	Feather boards (with locking knobs attached)		2
M	Insert ring with 1-1/4 in. opening		1
	Insert ring with 1-7/8 in. opening		1
	Insert ring with 2-1/8 in. opening		1
	Insert ring with 2-1/2 in. opening		1

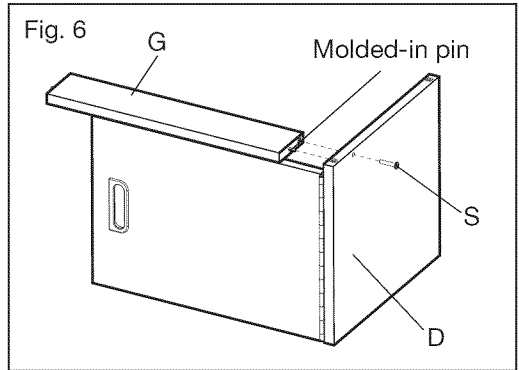
N	Switch box locking nut		2
O	Washer		4
P	Round-head hex bolt (M6*L40)		4
Q	Switch box locking bolt (M6*L12)		2
R	Tapping screw (ST4.2*L16)		4
S	Pan-head cross screw (M6*L30)		15
T	Miter gauge assembly		1
V	Starting pin		1
W	Flat-head bolt (M5*L20)		3

ASSEMBLE THE CABINET

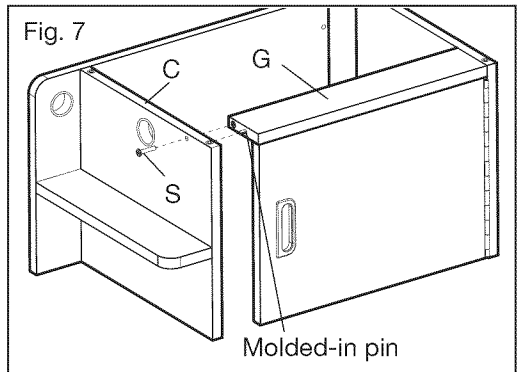
1. Use two pan-head cross screws (S) to attach the shelf (F) to the left side panel (C). Tighten the screws (S) with the wrench (supplied) (Fig. 3).
2. Align the holes of the left side panel with the holes of the back panel (B); note the orientation of the hole on the back panel and left side panel. Use three pan-head cross screws (S) to attach the left side panel assembly to the back panel (B). Tighten the screws (S) with the wrench (supplied) (Fig. 4).
3. Align the holes of the hinge with the holes on the right side panel (D). Use four ball-head cross self-tapping screws (R) to connect the door with the right side panel. Tighten the screws (R) with the wrench (supplied) (Fig. 5).



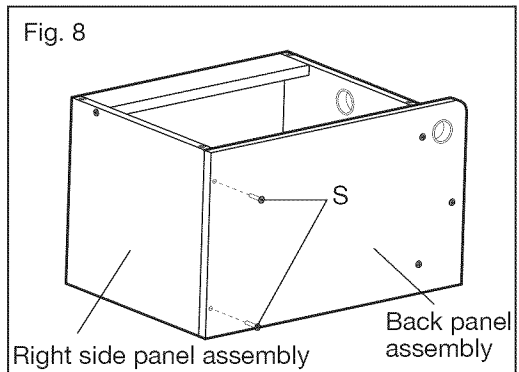
4. To install the front panel (G) onto the right side panel assembly, slide the front panel (G) to insert the molded-in pin into the hole in the right side panel (D). Use a pan-head cross screw (S) to attach the front panel. Tighten the screw (S) with the wrench (supplied) (Fig. 6).



5. Place the right side panel beside the left side panel. Insert the molded-in pin on the front panel (G) into the hole in the left side panel (C). Use a pan-head cross screw (S) to attach the front panel (G). Tighten the screw (S) with the wrench (supplied) (Fig. 7).



6. Use two pan-head cross screws (S) to attach the right side panel assembly onto the back panel assembly. Tighten the two screws (S) with the wrench (supplied) (Fig. 8).



- Turn the assembly upside down on a flat surface with the front panel (G) lying on the surface (Fig. 9). Place the bottom panel (A) onto the assembly. Use six pan-head cross screws (S) to assemble the bottom panel (A) and tighten the screws (S) with the wrench (supplied) (Fig. 9).

NOTICE: When placing the bottom panel (A) onto the assembly, make sure that the door magnet on the bottom panel (A) is always at the same side as the handle on the door.

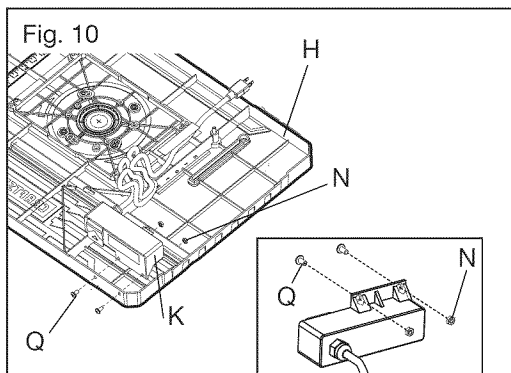
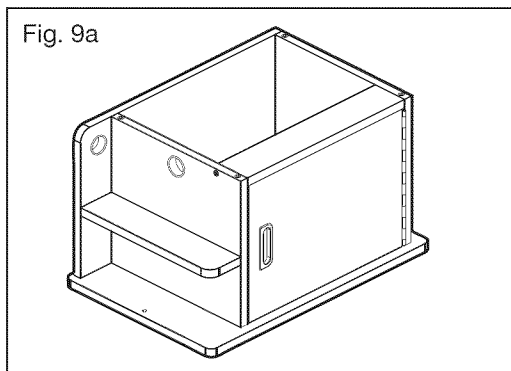
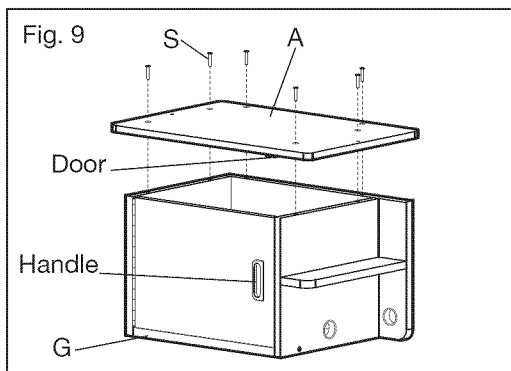
- The cabinet is now completely assembled (Fig. 9a).

ATTACH THE SAFETY SWITCH ASSEMBLY TO THE ROUTER TABLE (Fig. 10)

NOTICE: The switch assembles to the inside of the router table.

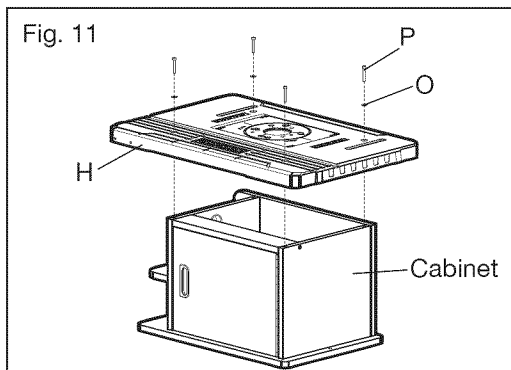
- Place the router table (H) upside down on a flat surface.
- Insert the switch box locking nuts (N) into the slot at the back of the switch box (K).
- Align the holes on the switch box (K) with the holes on the router table (H).
- Use the switch box locking bolts (Q) to attach the switch box to the router table (H).
- Tighten all bolts (Q) securely with the wrench (supplied).

NOTICE: Be sure to secure the locking nuts when tightening the bolts. But do not over-tighten.



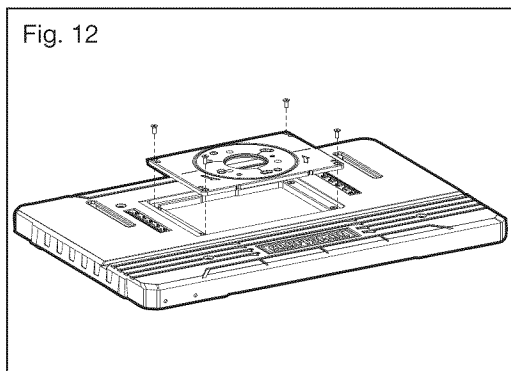
ATTACHING THE TABLETOP TO THE CABINET (Fig. 11)

1. Align the holes in the tabletop (H) with the holes in the cabinet.
2. Place the tabletop on the cabinet; use round-head hex bolts (P) and washers (O) to mount the router table on the cabinet (Fig. 11).
3. Securely tighten the bolts with the wrench (supplied), stored on the fence assembly (I).



REMOVING THE MOUNTING PLATE FROM THE TABLE (Fig. 12)

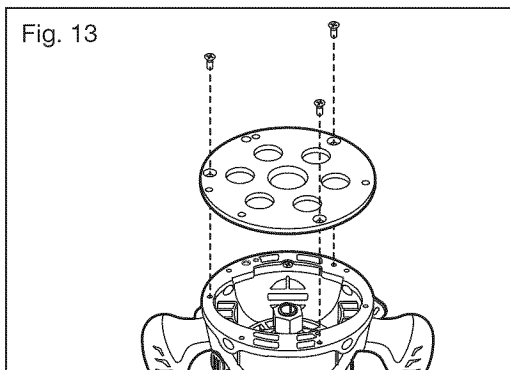
1. Loosen the mounting plate locking screws by turning them counterclockwise with the wrench (supplied) and remove the four screws.
2. Remove the mounting plate from the tabletop.



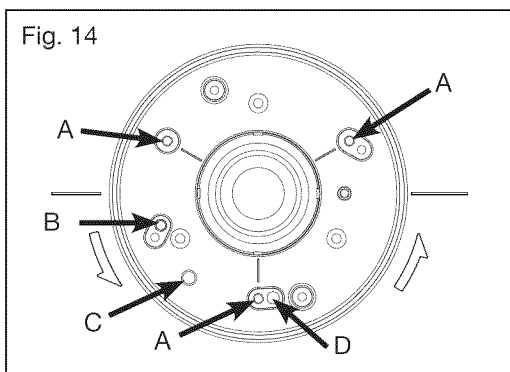
ATTACHING YOUR ROUTER TO THE MOUNTING PLATE

Attach the router to the router table after you have assembled the table.

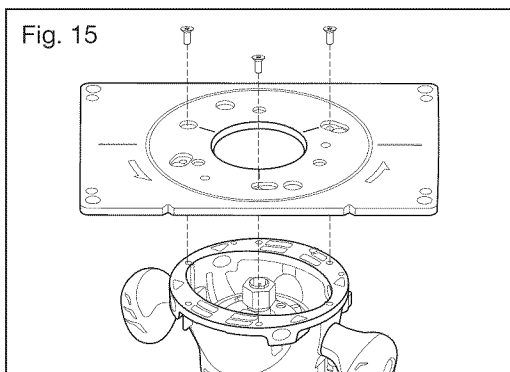
1. Unplug the router.
2. Place the router table upright, with the front edge closest to you.
3. Be sure that the table is stable and that it rests on both legs.
4. Remove the base plate from the router and hold the router upside down (Fig. 13). If your router model is listed in Table 2, determine the hole pattern that matches the mounting hole pattern for your router, as shown in Table 2 and Fig. 14.



5. Align the above-the-table height adjustment hole in your Craftsman router. At the same time, align the three corresponding mounting holes A in the center of the table with the holes in the router, as shown in Fig. 15.



6. Insert 3 flat-head bolts (W) through each of the three chosen mounting plate holes and into the holes in the mounting plate (Fig. 15).



7. Hold the mounting plate with one hand, and securely tighten each flat-head bolt (W) with the other hand, using the wrench (supplied). If your router model is not listed in Table 2, it may still be installed using mounting holes A. However, over-the-table adjustment may not be accessible in this situation. To mount any router, ensure that the diameter of the router sub-base does not exceed 6-7/8 inches.

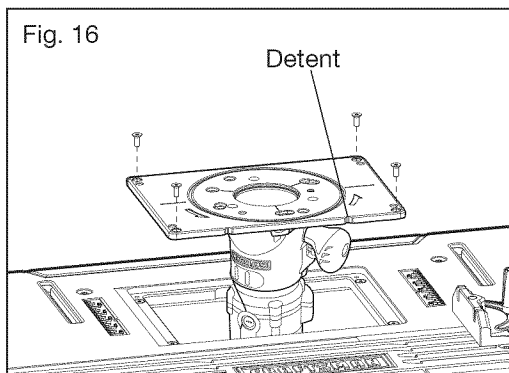
Table 2
Cutting depth adjustment holes

Brand	Above-the-table height adjustment Hole	Model
Craftsman	B	28084 (using the plunge base) 27666 27683 (using the plunge base) 27669 27680 (using the plunge base)
Craftsman	C	17543 (using the fixed base) 17542 17541 2767 37595
Craftsman	D	2768 27683 (using the fixed base) 27680 (using the fixed base) 28190 28084 (using the fixed base)

INSTALL THE ROUTER MOUNTING PLATE ON THE TABLE (Fig. 16)

⚠ WARNING: Make sure that the router is not plugged into a power outlet when installing into the table, removing from table, making any adjustments or changing accessories.

1. Place the router mounting plate with the router attached into the opening in the table so that it rests on the heads of the leveling screws.



⚠ WARNING: Make sure that the two detents on the mounting plate are always near the “CRAFTSMAN” logo on the tabletop.

NOTICE: Be careful not to trap the cord between the router mounting plate and the router table.

2. Check the router mounting plate to be sure that it is level. If necessary, loosen the mounting plate mounting screws and adjust the leveling screws with the allen key (stored on the fence), as needed. Once the router mounting plate is level, retighten the locking screws.
3. Secure the router mounting plate to the table with the plate mounting screws previously removed. Tighten the mounting plate with the wrench (supplied).

NOTICE: To adjust the level of the mounting plate, you should loosen the mounting plate mounting screws, and tighten them when the adjustment is finished. But do not over-tighten.

NOTICE: Make sure that the mounting plate surface is lower than the table surface.

TO REMOVE THE ROUTER

▲ WARNING: Make sure that the router is not plugged into a power outlet when installing into the table, removing from table, making any adjustments or changing accessories.

1. Loosen the mounting plate locking screws by turning them counterclockwise with the wrench (supplied) and remove the four screws (Fig. 12).
2. Remove the mounting plate from the router table.
3. Loosen three flat-head bolts (W) by turning them counterclockwise with the wrench supplied (Fig. 15) and remove all the flat-head bolts (W).
4. Remove the router from the mounting plate.

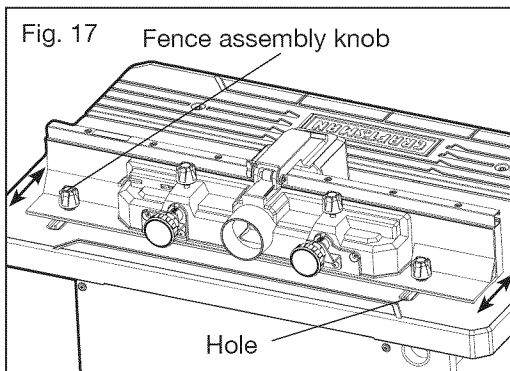
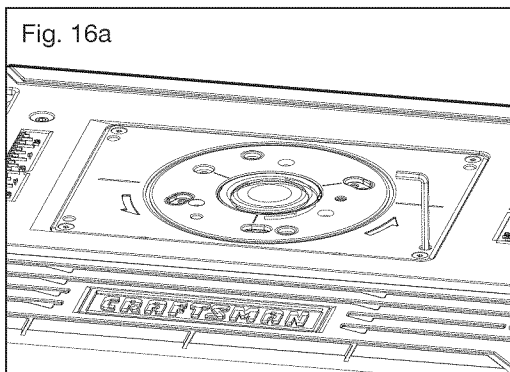
NOTICE: The fence must be removed from the router table when removing or reinstalling the router mounting plate.

ATTACHING THE FENCE ASSEMBLY TO THE TABLE (Fig. 17)

▲ WARNING: Always unplug the router before attaching or removing the fence. The fence has been shipped completely assembled.

1. Loosen the fence assembly knob.
2. Insert the fence assembly knobs into the holes on the router table.
3. Adjust the fence to your desired position and tighten the fence assembly knob by turning it clockwise.

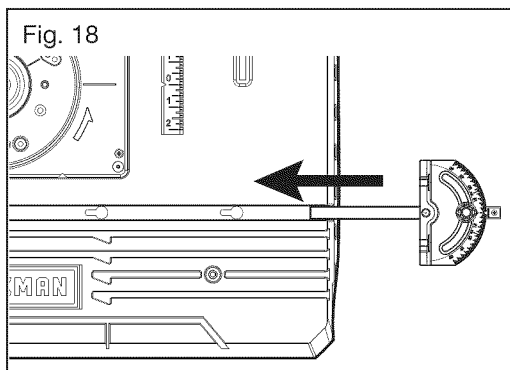
NOTICE: Use the scale on the table as a guide when aligning the fence for routing operations. Once the fence is positioned and aligned correctly, tighten all the clamping knobs securely.



ATTACHING THE MITER GAUGE (Fig. 18)

The miter gauge has been shipped completely assembled.

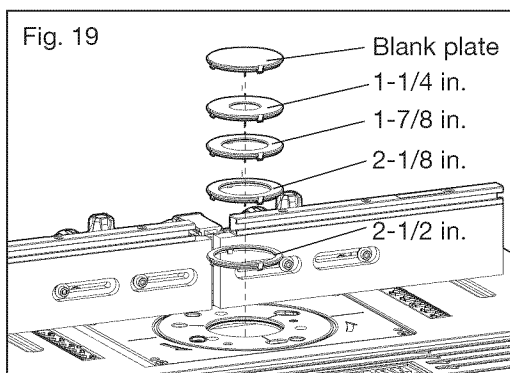
Attach the miter gauge to the table by placing the miter gauge bar in the slot on the table.



INSTALLING TABLETOP INSERT RINGS (Fig. 19)

This router table includes five tabletop insert rings with the following hole sizes:

- 1-1/4 in. in diameter is for use with bits with diameters up to 1-1/8 in.
- 1-7/8 in. in diameter is for use with bits with diameters up to 1-3/4 in.
- 2-1/8 in. in diameter is for use with bits with diameters up to 2 in.
- 2-1/2 in. in diameter is for use with bits with diameters up to 2-3/8 in.



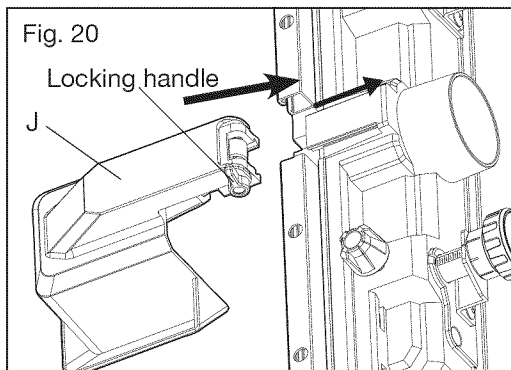
The blank plate may be drilled with a hole to match a bit whose diameter is not included in the list above. Make sure that the size of the hole is 1/8 in. larger than that of the bit. The blank plate may be used to prevent dust from entering the router below.

1. Unplug and remove the router from the router table
2. Position the tabletop insert over the inset opening in the router table.
3. Press the insert into the inset opening in the router table.
4. Press down evenly over the tabs until the insert locks into place.
5. To remove, pull up gently until the tabs disengage. When not in use, store tabletop inserts in a convenient place.

ATTACH THE PROTECTION GUARD

▲ WARNING: Make sure that the router is not plugged into a power outlet when installing into the table, removing from table, making any adjustments or changing accessories.

1. Align the raised ribs on the dust port with the grooves on the bottom of the guard (J).
2. Slide the protection guard onto the top of the dust port (Fig. 20).
3. Lower the lock handle to tighten the protection guard.
4. Reverse the upper steps for detachment.



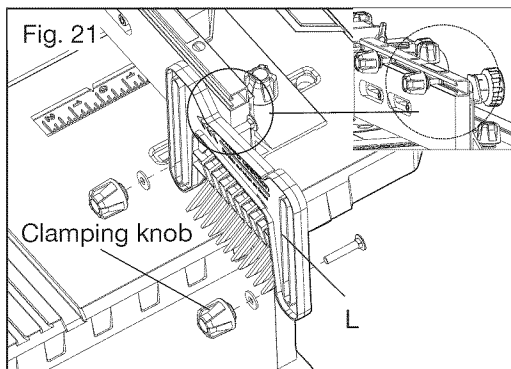
ATTACH AND REMOVE THE FEATHER BOARDS

▲ WARNING: Always unplug the router before attaching or removing the feather boards (L).

NOTICE: The front and back side of each feather board is marked to indicate proper feed direction. The direction of the arrow marked on the feather board must be consistent with the in-feed direction.

Attach the feather board to the fence

1. Take apart the feather board locking knobs. Slide the head of the square-neck bolts into the slots of the fence.
2. Place the feather board on the fence as shown in Fig. 21.
3. Slide a plain washer onto the bolt.
4. Place the clamping knob onto the bolt, and pull the square neck of the bolt, and then tighten the clamping knob clockwise to secure the feather board (L) to the fence.

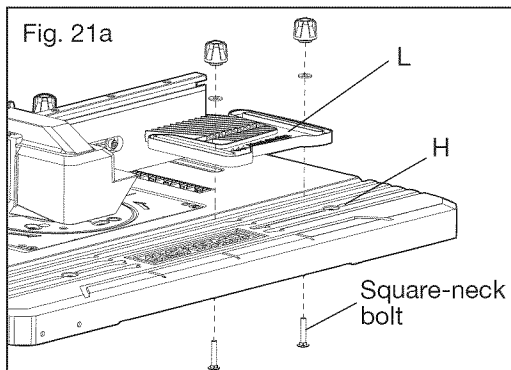


To remove the feather board

1. Loosen the clamping knobs; slide the feather board out of the slot.
2. Remove the feather board.

Attach the feather board to the tabletop surface

1. Take apart the feather board locking knobs.
2. Slide the square-neck bolts into the slots of the tabletop (H).
3. Place the feather board (L) on the tabletop surface as shown in Fig. 21a.
4. Slide a plain washer onto the bolt.
5. Place the clamping knob onto the bolt, from underneath of the table, depress the square neck of the bolt into the slot and tighten the clamping knob clockwise to secure the feather board (L) to the fence.



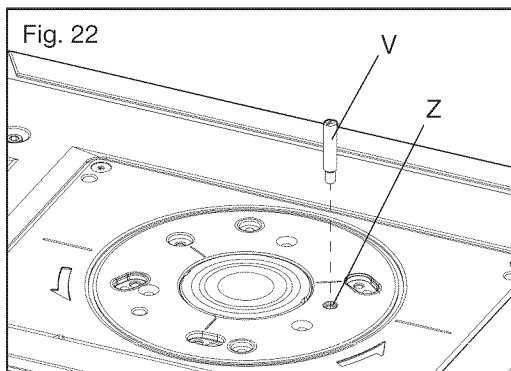
To remove the feather board

1. Loosen the clamping knobs; slide the feather board into the hole in the miter gauge slot.
2. Pull the feather board up to remove it.

INSERTING THE STARTING PIN (Fig. 22)

⚠ WARNING: Make sure that the router is not plugged into a power outlet when installing into the table, removing from table, making any adjustments or changing accessories.

Thread the starting pin (V) into the hole designated "Z" in Fig. 22 on the right of the mounting plate. Use the starting pin as a pivot point when cutting small, odd-shaped pieces.



NOTICE: Only use piloted cutters when using the starting pin. Place the starting pin into the hole designated "Z" in Fig. 22 on the right of the mounting plate inset opening, and secure it by turning it clockwise.

SWITCH OPERATION

The switch has a safety key to help prevent accidentally switching the router ON and to prevent unauthorized, possibly hazardous use by others.

The safety key (yellow) must be completely inserted into the switch panel (red) before the switch can be turned ON.

To operate the switch:

1. Insert the safety key into the switch (Fig. 23).
2. To turn the router ON, lift up the ON/OFF switch (Fig. 24a).
3. To turn the router OFF, press down on the ON/OFF switch down (Fig. 24b).

⚠ WARNING: Never leave the router unattended while it is running or before it comes to a complete stop.

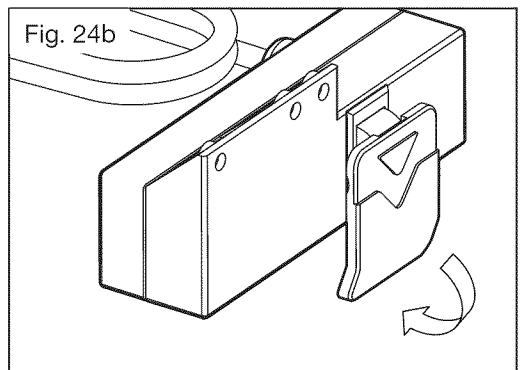
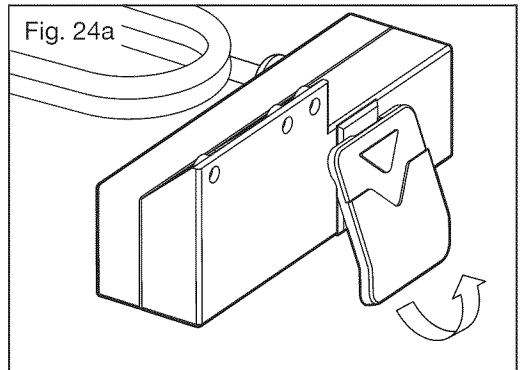
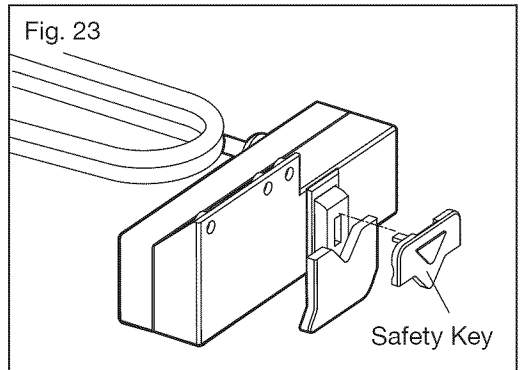
4. To lock the switch in the OFF position, push the ON/OFF switch down to turn the switch OFF, and remove the safety key from the switch panel.

Electric receptacles

Two electric receptacles are located at the back of the switch assembly. Use one for plugging in the router. The other may be used to plug in a vacuum or a light (not included).

⚠ WARNING: To ensure safety and reliability, the total current drawn from the two units must be less than 15 Amps.

NOTICE: The diameter of the vacuum adapter in the fence assembly is 2-1/4 in.; select the vacuum accordingly.



FINE ADJUSTING THE FENCE

⚠ WARNING: Failure to unplug your router before performing adjustments to the router or table could result in accidental starting causing serious injury.

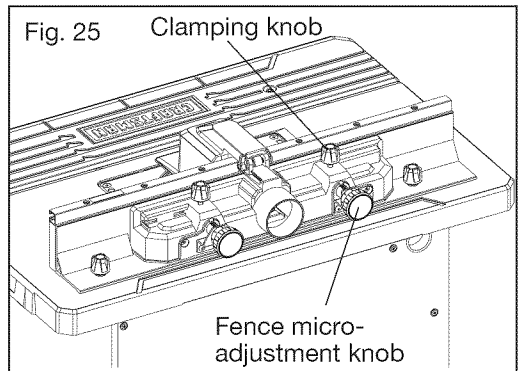
⚠ WARNING: Before checking the settings or making any adjustments, ensure that the power to the router table and router is disconnected and that there is no router bit in the router.

The fence enables you to support and guide the workpiece.

To fine adjust the fence forward and backward:

The in-feed and out-feed fences can be adjusted separately. The fence micro-adjustment knobs provide accurate adjustment. There is 1 inch of travel for one full revolution of the knob; the scale is in 1/16 in. increments.

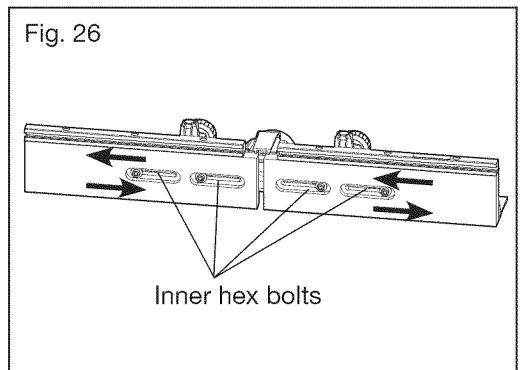
1. To release the fence, loosen the clamping knobs by turning them counterclockwise.
2. Move the fence forward or backward along the slots to desired distance by rotating the fence micro-adjustment knob (Fig. 25).
3. Once the desired position has achieved, tighten the clamping knobs by turning them clockwise.



NOTICE: For jointing operations, adjust the out-feed fence forward of the in-feed fence to a distance equal to the width of material to be removed from the workpiece. For normal operations, adjust the twin micro-adjustment knobs synchronously and make sure that the in-feed and out-feed fences are kept parallel.

To adjust the fence right and left (Fig. 26)

1. Loosen the four inner hex bolts with the wrench (supplied) by turning them counterclockwise.
2. Move the fence facings right or left to the desired position (Fig. 26). Each fence facing can be moved 2 in. right or left in order to lengthen the fence.
3. Tighten the bolts.

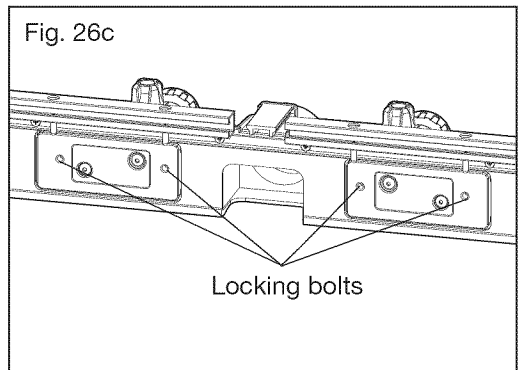
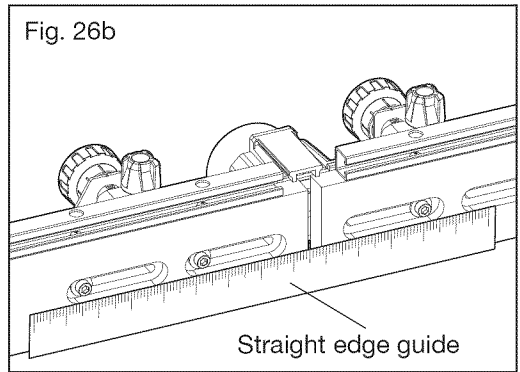
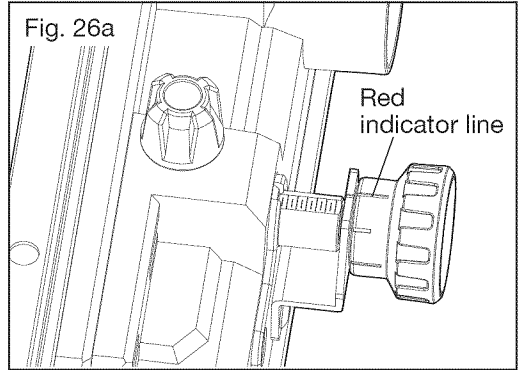


LINE UP THE IN-FEED AND OUT-FEED FENCE

▲ WARNING: Failure to unplug your router could result in accidental starting causing serious injury.

If the in-feed and out-feed fences are not in alignment when the red indicator lines are aligned with the red lines on the micro-adjustment knobs; align the in-feed and out-feed fences as follows:

1. Set the twin fence micro-adjustment knobs to align the red lines on the knobs with the red indicator lines and lock them in place (Fig. 26a).
2. Place a straight edge guide (not supplied) against the out-feed and in-feed fences (Fig. 26b).
3. If the in-feed or out-feed doesn't rest against the straight edge guide, perform Steps 4 through 7.
4. Loosen the six locking bolts with the wrench (supplied) (the bolts are at the bottom of the fences as you face the micro-adjustment knobs) (Fig. 26c)
5. Adjust the fences until they both rest against the straight edge guide.
6. Once the set is finished, tighten the locking bolts.
7. Tighten the micro-adjustment knobs.



USING THE FEATHER BOARDS (Fig. 27)

▲ WARNING: Failure to unplug your router before performing adjustments to the router or table could result in accidental starting causing serious injury.

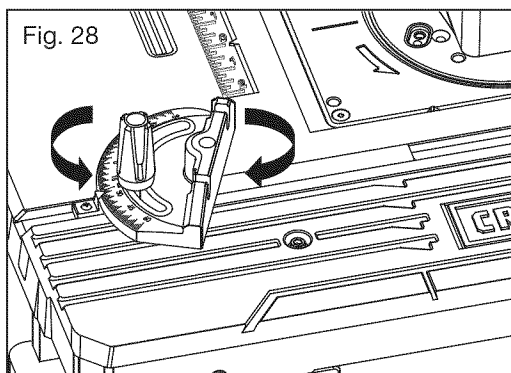
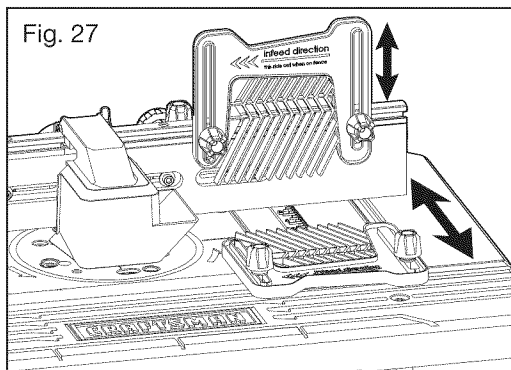
Feather boards are helpful in controlling the workpiece while routing and assist in keeping the workpiece flat on the table. The tabletop feather board, combined with the fence feather board, help to keep the workpiece pressed against the fence and tabletop. The best location for the feather boards varies according to your application, workpiece size, and other factors.

1. Loosely install the feather board(s) as described in the ATTACH THE FEATHER BOARDS section.
2. Place the workpiece on the router table so that it is squarely against the fence.
3. Position both feather boards snugly against the workpiece and tighten all the locking knobs.
4. The workpiece should move with some resistance but without requiring a great effort.
5. For wider workpieces, the tabletop feather board cannot be used.

ADJUSTING THE MITER GAUGE (Fig. 28)

1. Loosen the miter gauge knob.
2. Rotate the miter gauge to the desired angle.
3. Tighten the miter gauge knob.

NOTICE: Make sure that the fence and the table slot are parallel when using the miter gauge.

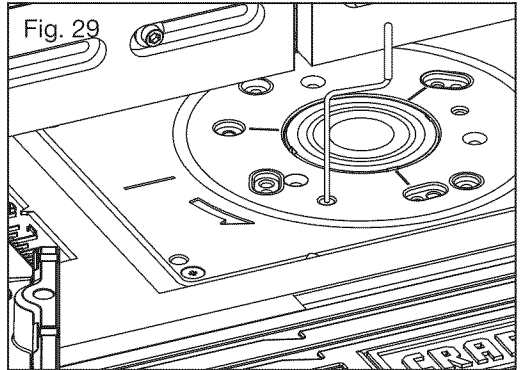


ADJUSTING THE CUTTING HEIGHT

▲ WARNING: Failure to unplug your router before performing adjustments to the router or table could result in accidental starting causing serious injury. Select correct holes to adjust the cutting height for your router according to Table 2 and Fig. 14.

NOTICE: A hex wrench (not supplied) is required for this operation.

1. Turn off the table switch by pushing the ON/OFF switch panel.
2. Loosen the clamping lever on the router.
3. Insert the hex wrench (not supplied) into the adjusting hole on the tabletop (Fig. 29), and turn the router adjustment dial with the hex wrench to move the router collet up or down.
4. When the desired cutting height is set, tighten the clamping lever on the router.



USING THE ROUTER WITH THE ROUTER TABLE

1. Read and understand the entire Operator's Manual for the router.
2. Always plug the router into the switched outlet in the router table. Never plug a router table mounted router into another power source.
3. Make sure that the router-table switch is off.
4. Plug the router-table cord into a power source.
5. Turn on the power to the router table by lifting up the on/off switch panel.
6. Always control the power to the router with the router-table switch whenever the router is mounted on the table.

ROUTING OPERATION

1. Read and understand the entire Operator's Manual for the router.
2. Adjust the fence to support the workpiece to be cut.

NOTICE: The workpiece must always be held tight against the fence.

3. Reconfirm that all router adjustments are securely locked before supplying power to the router.
4. Note that the direction of rotation of the router mounted to a router table is counterclockwise. Feed the workpiece from right to left.

▲ WARNING: The direction of feed for the workpiece is always against the sharp edges of the cutter and into the rotation of the cutter (the cutter rotation is counterclockwise when the router is installed in a router table). Failure to follow this rule can result in serious personal injury.

MAINTENANCE

GENERAL MAINTENANCE

⚠ WARNING: Avoid using solvents when cleaning plastic parts. Most plastics are susceptible to damage from various types of commercial solvents and may be damaged by their use. Use clean clothes to remove dirt, dust, oil, grease, etc.

⚠ WARNING: Do not at any time allow brake fluids, gasoline, petroleum-based products, penetrating oils, etc. to come in contact with plastic parts. Chemicals can damage, weaken or destroy plastic which may result in serious personal injury.

⚠ WARNING: When servicing, use only identical replacement parts. Use of any other parts may create a hazard or cause product damage. To ensure safety and reliability, all repairs should be performed by a qualified service technician.

TROUBLE SHOOTING

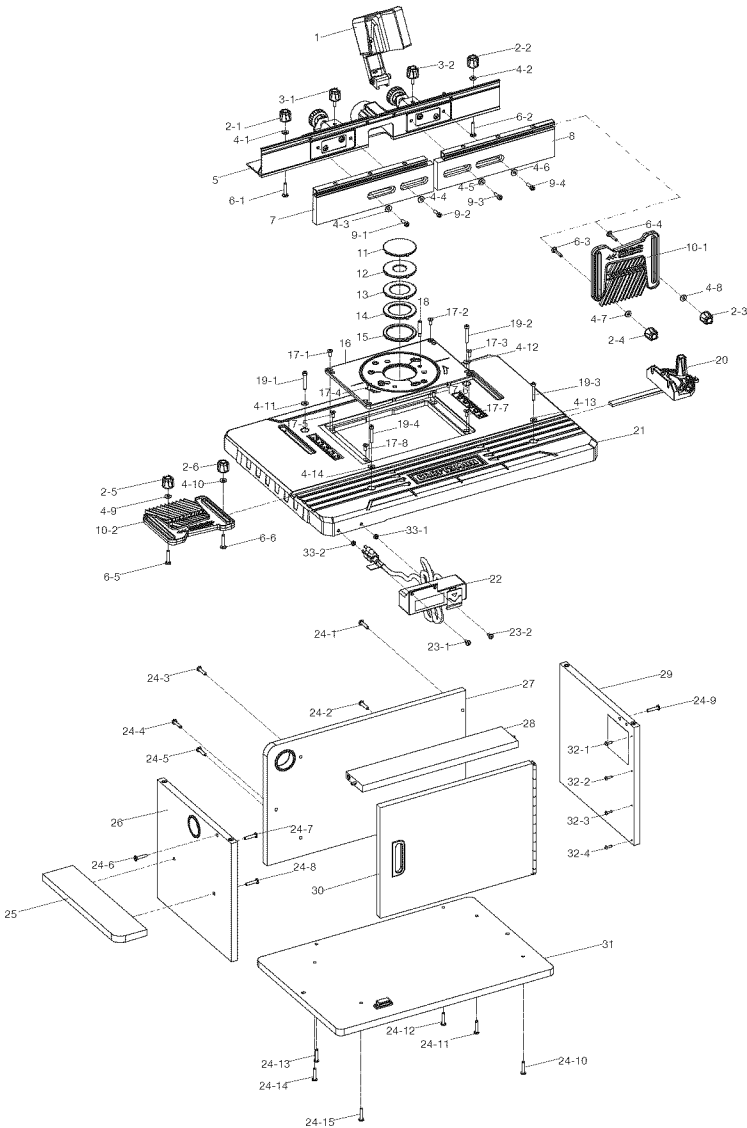
PROBLEM	CAUSE	SOLUTION
The router does not work	The router is not plugged into the table outlet	Insert router power cord plug into a table outlet
	The router-table cord is not connected to a power source	Plug the router-table cord into a power source
	The router-table switch is in "OFF" position	Insert key and pull the switch to the ON position
The table surface is not flat	Legs are not properly assembled	Check assembly directions and securely tighten all fasteners

PARTS LIST

ROUTER TABLE MODEL NUMBER 320.37610

The Model Number will be found on the Nameplate attached to the right side panel of the cabinet. Always mention the Model Number when ordering parts for this tool.

To order parts, call 1-800-469-4663.



PARTS LIST

ROUTER TABLE MODEL NUMBER 320.37610

The Model Number will be found on the Nameplate attached to the right side panel of the cabinet. Always mention the Model Number when ordering parts for this tool.

To order parts, call 1-800-469-4663.

No	Part No	Part Name	QTY
1	MPP010201041A	Protection Guard	1
2	MPP010001001	Fence Assembling Knob	6
3	MPP010201091	Fence Micro-adjustment Locking Knob	2
4	MPP010005033	Washer	14
5	MPP010202014A	Fence Assembly	1
6	MPP010005023	Locking Bolt	6
7	MPP010208014A	Left Extended Fence Board Assembly	1
8	MPP010208024A	Right Extended Fence Board Assembly	1
9	MPP010205023	Inner Hex Bolt	4
10	MPP010401011	Feather board	2
11	MPP010101011	Insert ring (blank)	1
12	MPP010504013	Insert ring (1-1/4 in.)	1
13	MPP010504023	Insert ring (1-7/8 in.)	1
14	MPP010504033	Insert ring (2-1/8 in.)	1
15	MPP010504043	Insert ring (2-1/4 in.)	1
16	MPP010103024	Mounting Plate	1
17	MPP010105023	Screw	4
18	MPP010506013	Starting Pin	1
19	MPP010105013	Round-head Hex Bolt	4
20	MPP010301011A	Miter Gauge Assembly	1
21	MPP010103014	Tabletop	1
22	MPP010107010	Safety Switch	1
23	MPP010105043	Switch Box Locking Bolt	2
24	MPP010605183	Pan-head Cross Screw	15

No	Part No	Part Name	QTY
25	MPP010608054	Right Side Panel	1
26	MPP010608044	Left Side Panel	1
27	MPP010608064	Back Panel	1
28	MPP010608024	Front Panel	1
29	MPP010608034	Right Side Panel	1
30	MPP010608074A	Door	1
31	MPP010608014	Bottom Panel	1
32	MPP010605173	Tapping Screw	4
33	MPP010105033	Switch Box Locking Nut	2

NOTICE

NOTICE