

JENN-AIR® WINE CELLAR/BODEGA/CAVE À VIN

Overlay Model/Modelo recubierto/Modèle à panneau décoratif

USE & CARE GUIDE

For questions about features, operation/performance, parts, accessories, or service, call:
1-800-JENNAIR (1-800-536-6247) or visit our website at **www.jennair.com**.

In Canada, call: **1-800-JENNAIR (1-800-536-6247)**, or visit our website at **www.jennair.ca**.

MANUAL DE USO Y CUIDADO

Si tiene preguntas respecto a las características, funcionamiento, rendimiento, partes, accesorios o servicio técnico, llame al:
1-800-JENNAIR (1-800-536-6247) o visite nuestro sitio de internet **www.jennair.com**.

En Canadá, llame al: **1-800-JENNAIR (1-800-536-6247)**, o visite nuestro sitio de internet **www.jennair.ca**.

GUIDE D'UTILISATION ET D'ENTRETIEN

Au Canada, pour assistance, installation ou service, composez le **1-800-JENNAIR (1-800-536-6247)**
ou visitez notre site web à **www.jennair.ca**.

Table of Contents/Índice/Table des matières2

JENN-AIR®

W10549545A

TABLE OF CONTENTS

WINE CELLAR SAFETY	3	WINE CELLAR USE	9
Proper Disposal of Your Old Wine Cellar	3	Normal Sounds	9
INSTALLATION REQUIREMENTS	4	Using the Control.....	9
Tools and Parts.....	4	Wine Racks.....	10
Location Requirements.....	4	Stocking the Wine Cellar	10
Electrical Requirements.....	5	Lighting the Wine Cellar.....	11
Product Dimensions	5	WINE CELLAR CARE	11
Custom Overlay Frame.....	5	Base Grille.....	11
INSTALLATION INSTRUCTIONS	6	Cleaning	11
Unpack the Wine Cellar	6	Vacation and Moving Care	12
Reverse Door Swing	6	TROUBLESHOOTING	12
Install Custom Overlay Frame	8	ASSISTANCE OR SERVICE	13
Door Closing	9	In the U.S.A.....	13
		In Canada.....	13
		WARRANTY	14

ÍNDICE

SEGURIDAD DE LA BODEGA	16	USO DE LA BODEGA	23
Cómo deshacerse adecuadamente de su bodega vieja	17	Sonidos normales.....	23
REQUISITOS DE INSTALACIÓN	17	Uso del control	23
Piezas y herramientas.....	17	Portabotellas.....	24
Requisitos de ubicación	17	Cómo almacenar en la bodega	24
Requisitos eléctricos.....	18	Cómo iluminar la bodega	24
Medidas del producto.....	18	CUIDADO DE LA BODEGA	25
Marco recubierto a la medida.....	19	Rejilla de la base	25
INSTRUCCIONES DE INSTALACIÓN	20	Limpieza.....	25
Desempaque de la bodega	20	Cuidado durante las vacaciones y mudanzas	26
Cómo invertir el cierre de la puerta	20	SOLUCIÓN DE PROBLEMAS	26
Cómo instalar el marco recubierto a la medida	22	AYUDA O SERVICIO TÉCNICO	27
Cierre de la puerta	22	En los EE.UU.....	27
		En Canadá	27
		GARANTÍA	28

TABLE DES MATIÈRES

SÉCURITÉ DE LA CAVE À VIN	30	UTILISATION DE LA CAVE À VIN	37
Mise au rebut de votre vieille cave à vin.....	31	Sons normaux.....	37
EXIGENCES D'INSTALLATION	31	Utilisation de la commande	37
Outillage et pièces	31	Grilles pour le remisage du vin	38
Exigences d'emplacement	31	Stockage dans la cave à vin.....	38
Spécifications électriques.....	32	Éclairage de la cave à vin	39
Dimensions du produit.....	32	ENTRETIEN DE LA CAVE À VIN	39
Cadre décoratif personnalisé	33	Grille de la base	39
INSTRUCTIONS D'INSTALLATION	34	Nettoyage	39
Déballage de la cave à vin	34	Précautions à prendre pour les vacances et avant un déménagement.....	40
Inversion du sens d'ouverture de la porte.....	34	DÉPANNAGE	40
Installation du cadre décoratif personnalisé	36	ASSISTANCE OU SERVICE	42
Fermeture de la porte	36	Aux États-Unis	42
		Au Canada	42
		GARANTIE	43

WINE CELLAR SAFETY

Your safety and the safety of others are very important.

We have provided many important safety messages in this manual and on your appliance. Always read and obey all safety messages.



This is the safety alert symbol.

This symbol alerts you to potential hazards that can kill or hurt you and others.

All safety messages will follow the safety alert symbol and either the word "DANGER" or "WARNING."

These words mean:

⚠ DANGER

You can be killed or seriously injured if you don't immediately follow instructions.

⚠ WARNING

You can be killed or seriously injured if you don't follow instructions.

All safety messages will tell you what the potential hazard is, tell you how to reduce the chance of injury, and tell you what can happen if the instructions are not followed.

IMPORTANT SAFETY INSTRUCTIONS

WARNING: To reduce the risk of fire, electric shock, or injury when using your wine cellar, follow these basic precautions:

- Plug into a grounded 3 prong outlet.
- Do not remove ground prong.
- Do not use an adapter.
- Do not use an extension cord.
- Disconnect power before servicing.
- Replace all parts and panels before operating.
- Remove doors from your old wine cellar.
- Use nonflammable cleaner.
- Keep flammable materials and vapors, such as gasoline, away from wine cellar.
- Use two or more people to move and install wine cellar.

SAVE THESE INSTRUCTIONS

State of California Proposition 65 Warnings:

WARNING: This product contains one or more chemicals known to the State of California to cause cancer.

WARNING: This product contains one or more chemicals known to the State of California to cause birth defects or other reproductive harm.

Proper Disposal of Your Old Wine Cellar

⚠ WARNING

Suffocation Hazard

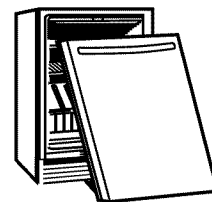
Remove door from your old wine cellar.

Failure to do so can result in death or brain damage.

IMPORTANT: Child entrapment and suffocation are not problems of the past. Junked or abandoned wine cellars are still dangerous – even if they will sit for "just a few days." If you are getting rid of your old wine cellar, please follow these instructions to help prevent accidents.

Before You Throw Away Your Old Wine Cellar:

- Take off the door.
- Leave the racks in place so that children may not easily climb inside.



Important information to know about disposal of refrigerants:

Dispose of refrigerant in accordance with Federal and Local regulations. Refrigerants must be evacuated by a licensed, EPA certified refrigerant technician in accordance with established procedures.

INSTALLATION REQUIREMENTS

Tools and Parts

Gather the required tools and parts before starting installation.

TOOLS NEEDED:

- Phillips screwdriver

PARTS NEEDED:

Custom Overlay Frame—See “Overlay Frame—Rear View.”
Hardware (Optional)

PARTS SUPPLIED:

- M4 x 14 wood screws (12)

Location Requirements

⚠ WARNING



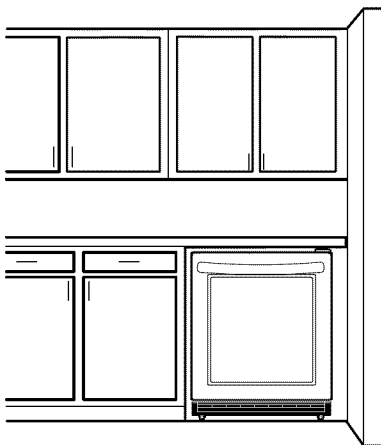
Explosion Hazard

Keep flammable materials and vapors, such as gasoline, away from wine cellar.

Failure to do so can result in death, explosion, or fire.

NOTES:

- For the wine cellar to be flush with the front of the base cabinets remove any baseboards or moldings from the rear of the opening. See “Product Dimensions” and later in this section “Opening Dimensions.”
- It is recommended that you do not install the wine cellar near an oven, radiator, or other heat source.
- Do not install in a location where the temperature will fall below 55°F (13°C). For best performance, do not install the wine cellar behind a cabinet door or block the base grille.

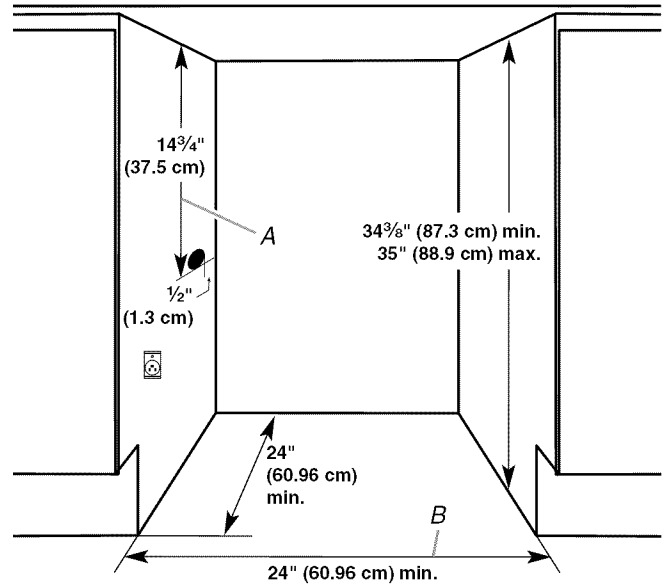


Opening Dimensions

- Height dimensions are shown with the leveling legs extended to the minimum height.

NOTE: When leveling legs are fully extended, add $\frac{5}{8}$ " (15.9 mm) to the height dimensions. See “Product Dimensions.”

- If the floor of the opening is not level with the kitchen floor, shim the opening to make it level with the kitchen floor.



Critical Dimensions:

A. 14 $\frac{3}{4}$ " (37.5 cm) utility opening

B. 24" (60.96 cm) minimum opening width

Electrical Requirements

⚠ WARNING



Electrical Shock Hazard

- Plug into a grounded 3 prong outlet.
- Do not remove ground prong.
- Do not use an adapter.
- Do not use an extension cord.
- Failure to follow these instructions can result in death, fire, or electrical shock.

Before you move your wine cellar into its final location, it is important to make sure you have the proper electrical connection.

Recommended grounding method

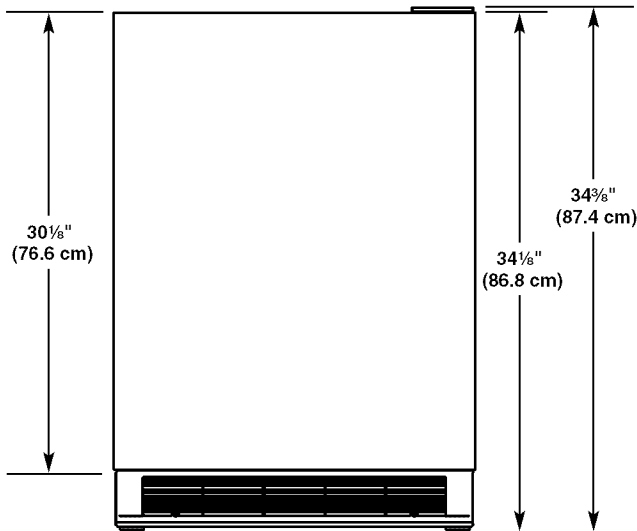
A 115 Volt, 60 Hz., AC only, 15- or 20-amp fused, grounded electrical supply is required. It is recommended that a separate circuit serving only your wine cellar be provided. Use an outlet that cannot be turned off by a switch. Do not use an extension cord.

NOTE: Before performing any type of installation, cleaning, or removing a light bulb, unplug wine cellar or disconnect power.

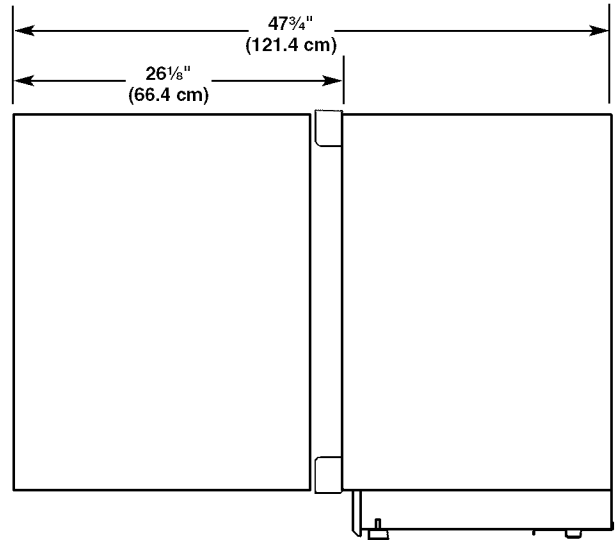
Product Dimensions

- Height dimensions are shown with the leveling legs NOT extended.
- The power cord is 60" (152.4 cm) long.

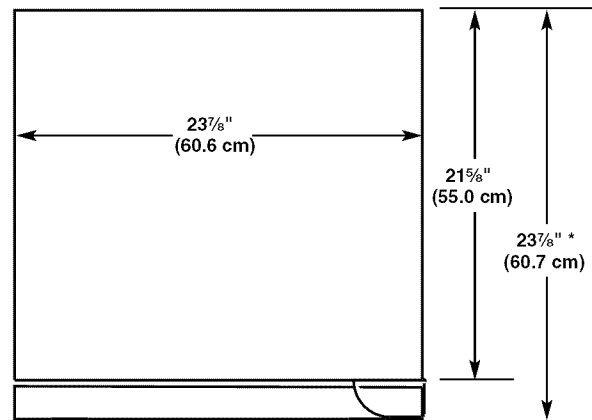
Front View



Side View (door open 90°)



Top View



*Dimension includes $\frac{3}{4}"$ thick custom door panel

Custom Overlay Frame

If you plan to install a custom overlay frame, you will need to create the frame yourself or consult a qualified cabinetmaker or carpenter. See dimension drawings for frame specifications.

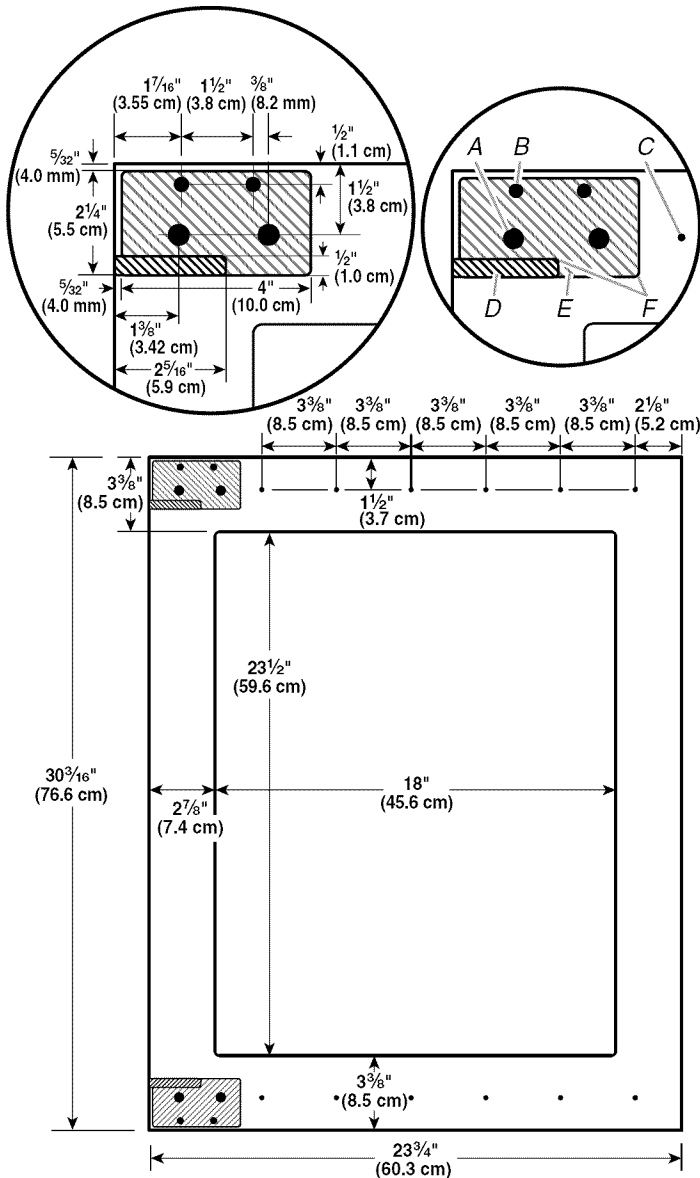
IMPORTANT:

- The thickness of the overlay frame must be $\frac{3}{4}"$ (1.91 cm).
- Overlay frame must not weigh more than 10 lbs (4.54 kg).
- Overlay frames weighing more than recommended may cause damage to your appliance.

Overlay Frame - Rear View

Create the custom overlay frame using the dimensions shown.

IMPORTANT: The following graphic shows a custom frame for a door with the hinges installed on the right-hand side. If your refrigerator has the hinges installed on the left-hand side, rotate the custom frame 180° so the hinge markings will be on the left.



- A. Drill holes using a $\frac{1}{8}$ " (12 mm) drill bit to a depth of approximately $\frac{1}{2}$ " (13 mm) before routing. (4 holes total)
- B. Drill holes using a $\frac{5}{16}$ " (8 mm) drill bit to a depth of approximately $\frac{1}{2}$ " (13 mm) before routing. (4 holes total)
- C. Drill holes using a $\frac{7}{64}$ " (2.8 mm) drill bit to a depth of approximately $\frac{1}{2}$ " (13 mm). (12 holes total)
- D. Rout shaded areas for hinges to a $\frac{1}{8}$ " (15 mm) depth.
- E. Rout shaded areas for hinges to a $\frac{1}{4}$ " (4 mm) depth.
- F. Corner radius of $\frac{1}{8}$ " (3 mm) using a $\frac{1}{4}$ " drill bit when routing (5 radiuses total)

INSTALLATION INSTRUCTIONS

Unpack the Wine Cellar

⚠ WARNING

Excessive Weight Hazard

Use two or more people to move and install wine cellar.
Failure to do so can result in back or other injury.

Remove the Packaging

- Remove tape and glue residue from surfaces before turning on the wine cellar. Rub a small amount of liquid dish soap over the adhesive with your fingers. Wipe with warm water and dry.
- Do not use sharp instruments, rubbing alcohol, flammable fluids, or abrasive cleaners to remove tape or glue. These products can damage the surface of your wine cellar. For more information, see "Wine Cellar Safety."
- Dispose of/recycle all packaging materials.

When Moving Your Wine Cellar:

Your wine cellar is heavy. When moving the wine cellar for cleaning or service, be sure to cover the floor with cardboard or hardboard to avoid floor damage. Always pull the wine cellar straight out when moving it. Do not wiggle or "walk" the wine cellar when trying to move it, as floor damage could occur.

Clean Before Using

After you remove all of the packaging materials, clean the inside of your wine cellar before using it. See the cleaning instructions in "Wine Cellar Care."

Reverse Door Swing (optional)

The door hinges are factory installed on the right-hand side. If you want the door to open from the opposite direction, you must reverse the door.

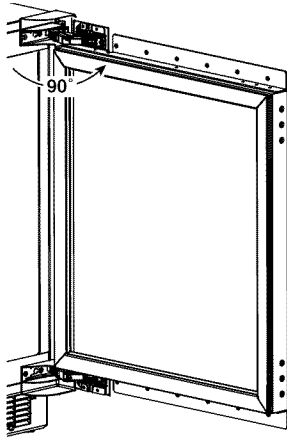
IMPORTANT: To avoid strain on the hinges, it is recommended that you use two people to remove the door.

Tools Needed: Phillips screwdriver and a $\frac{1}{8}$ " hex key wrench.

Remove the Door

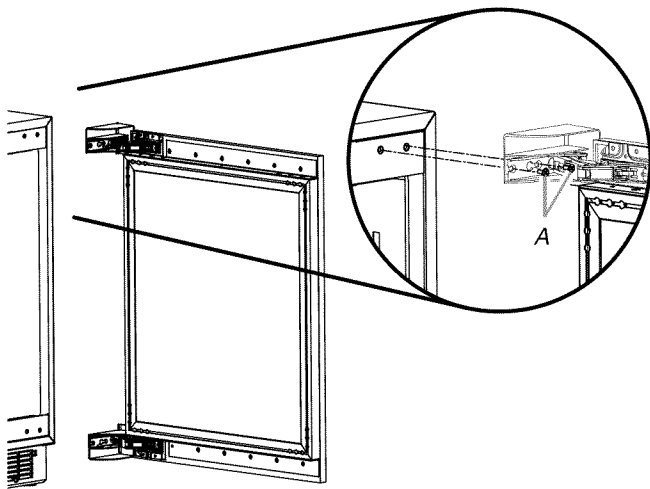
1. Unplug or disconnect power and remove any items that might be stored inside.

- Open the door completely to 90°.

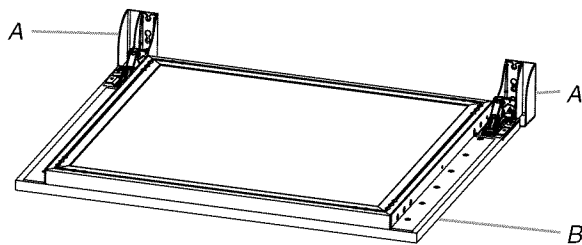


- While one person supports the door, remove the screws attaching both the top and bottom hinges to the cabinet.

NOTE: After the screws are removed and the door is pulled away from the cabinet, a plastic spacer, located behind the bottom hinge, will become free. Set the spacer aside. You will need this spacer when you reinstall the door.



- Remove the door from the cabinet and gently lay it on a flat surface to avoid damaging the covers attached to the top and bottom hinges.



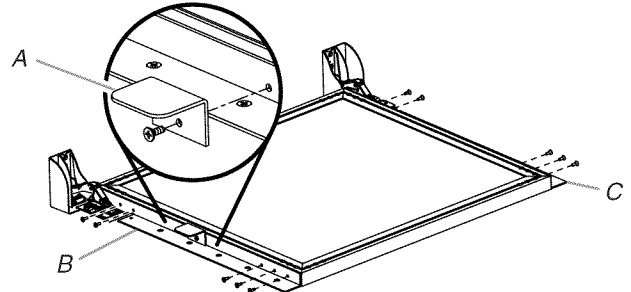
A. Hinge cover
B. Custom overlay door frame

- Reinstall the screws into the holes remaining after the hinges are removed from the cabinet.
- If a wooden overlay panel has been previously installed, remove the panel. See "Install Custom Overlay Frame."

Reverse the Door

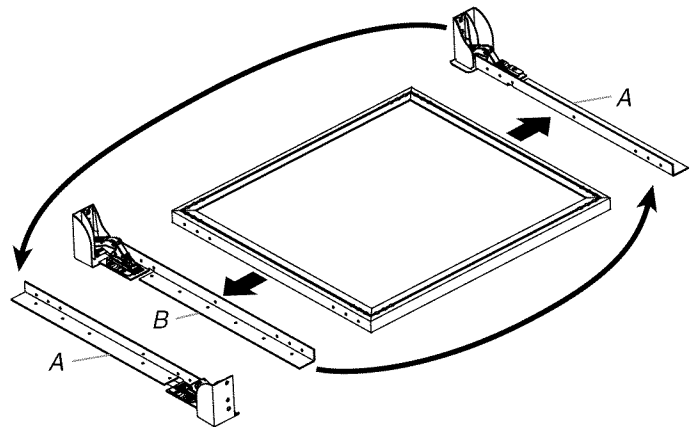
- Remove the screws attaching the black, metal L-beams to the top and bottom of the door.
- Remove the screw attaching the metal light switch plate to the center of the bottom L-beam. Remove the light switch plate.

NOTE: The light switch plate is attached with both a screw and adhesive tape. It may require some force to remove it from the L-beam.



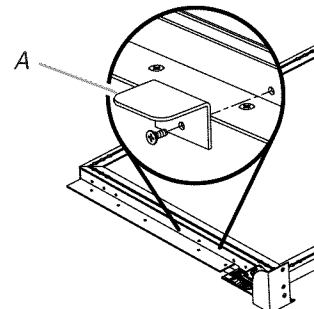
A. Light switch plate
B. Bottom L-beam
C. Top L-beam

- Remove the two metal, L-beams from the door noting which L-beam was on the top and which was on the bottom.
- Move the L-beams to the opposite ends of the door with the hinges now on the left-hand side (as you are facing the front of the door).



A. Bottom L-beam
B. Top L-beam

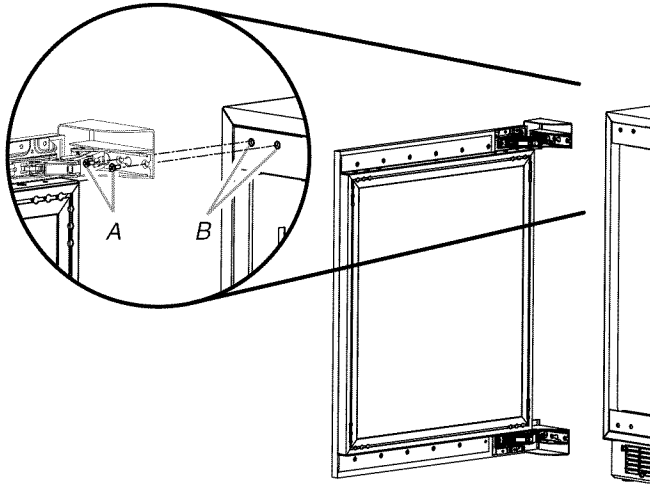
- Using the screws removed in Step 1, reinstall the L-beams, to their new location on the door.
- Using the screw removed in Step 2 and the adhesive tape included in the door installation kit, reinstall the light switch plate onto the bottom of the door.



- Reinstall the overlay panel, if removed earlier. See "Install Custom Overlay Frame."

Replace the Door

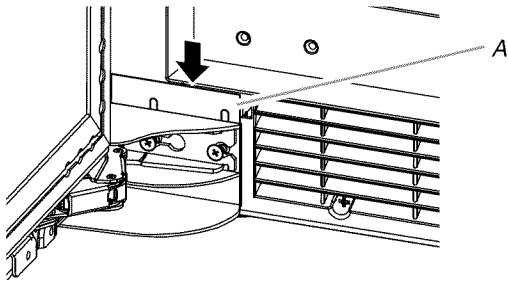
1. Make sure the hinge covers are still attached to the L-beams.
2. Remove the screws from the both the top and bottom of the opposite side of the cabinet.
3. Align the holes in the hinges with the holes in the cabinet.



A. Hinge screws removed in Step 2
B. Holes in cabinet

4. Using the screws removed in Step 2, loosely fasten the door to the left-hand side of the cabinet.
5. For the bottom hinge only, slide the plastic spacer, with the slots facing downward, between the bottom hinge and the cabinet.

NOTE: The slots in the spacer go around the screws.



A. Bottom hinge spacer

6. Fully tighten the screws.

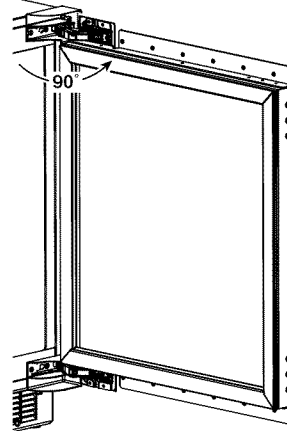
Install Custom Overlay Frame

IMPORTANT:

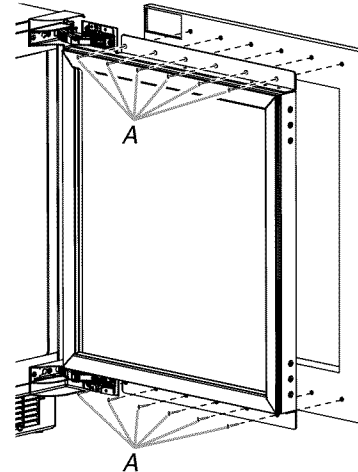
- Create custom overlay frame according to the specifications in the "Custom Overlay Frame" section.
- Jenn-Air is not responsible for the removal or addition of molding or decorative panels that would not allow access to the appliance for service.

Install Custom Frame

1. Open the door completely to 90°.

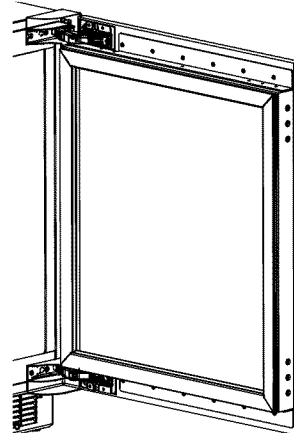


2. Using two people, hold the wooden frame so that the holes in the frame align with the holes at the top and bottom of the door. Then, fasten the custom frame to the door using six wood screws at the top and six wood screws at the bottom.



A. M4 x 14 wood screws

3. Check that the custom frame is aligned with the door and completely tighten the 12 screws.



Door Closing

Door Closing

Your wine cellar has four leveling legs. If your wine cellar seems unsteady or you want the door to close more easily, adjust the wine cellar's tilt using the instructions below.

⚠ WARNING



Electrical Shock Hazard

Plug into a grounded 3 prong outlet.

Do not remove ground prong.

Do not use an adapter.

Do not use an extension cord.

Failure to follow these instructions can result in death, fire, or electrical shock.

1. Plug into a grounded 3 prong outlet.

⚠ WARNING

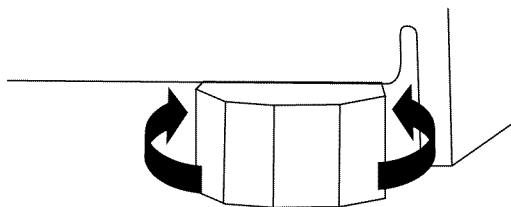
Excessive Weight Hazard

Use two or more people to move and install wine cellar.

Failure to do so can result in back or other injury.

2. Move the wine cellar into its final location.
3. Turn the leveling legs to the right to lower the wine cellar or turn the leveling legs to the left to raise it. It may take several turns of the leveling legs to adjust the tilt of the wine cellar.

NOTE: Having someone push against the top of the wine cellar takes some weight off the leveling legs. This makes it easier to adjust the leveling legs.



4. Open the door and check that it closes as easily as you like. If not, tilt the wine cellar slightly more to the rear by turning both front leveling screws to the right. It may take several more turns, and you should turn both leveling legs the same amount.

WINE CELLAR USE

Normal Sounds

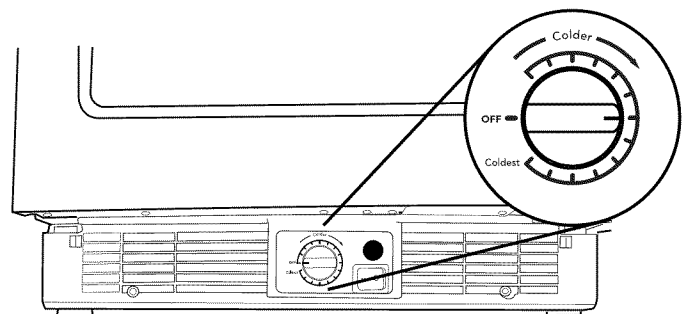
Your new wine cellar may make sounds that your old one didn't make. Because the sounds are new to you, you might be concerned about them. Most of the new sounds are normal. Hard surfaces, such as the flooring and surrounding structures, can make the sounds seem louder. The following describes the kinds of sounds and what may be making them.

- Your wine cellar is designed to run more efficiently to keep your wine at the desired temperatures and to minimize energy usage. The high efficiency compressor and fans may cause your wine cellar to run longer than your old one. You may also hear a pulsating or high-pitched sound from the compressor or fans adjusting to optimize performance.
- Rattling noises may come from the flow of refrigerant or items stored inside the wine cellar.
- As each cycle ends, you may hear a gurgling sound due to the refrigerant flowing in your wine cellar.
- You may hear water running into the drain pan when the wine cellar is defrosting.
- You may hear clicking sounds when the wine cellar starts or stops running.

Using the Control

The control is located behind the base grille. Lift up on the door in the center of the grille to access the control.

For your convenience, your wine cellar temperature control is preset at the factory. When you first install your wine cellar, make sure that the control is still preset to the mid-setting as shown.



Adjusting the Control

The mid-setting should be correct for normal usage. The control is set correctly when the wine is as cold as you like.

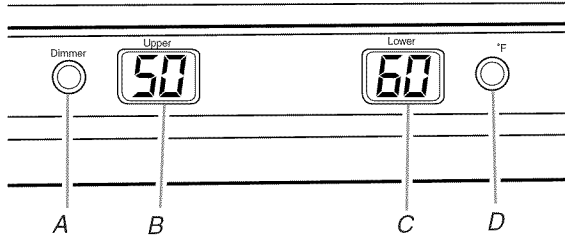
If you need to adjust the temperature, wait at least 24 hours between adjustments and then recheck the temperature.

To make the wine cellar colder, adjust the control to the next higher setting. To make the wine cellar less cold, adjust the control to the next lower setting.

NOTE: Adjusting the temperature control raises or lowers the temperature in both the upper and lower zones (compartments).

Temperature Separator (Temperature Display)

The temperature separator displays the current temperatures (Fahrenheit or Celsius) for the upper and lower zones (compartments) of the wine cellar. To adjust the temperature settings, see “Adjusting the Control” earlier in this section.



A. Dimmer

B. Upper zone display

C. Lower zone display

D. Fahrenheit/Celsius

Recommended Zone Storing Locations

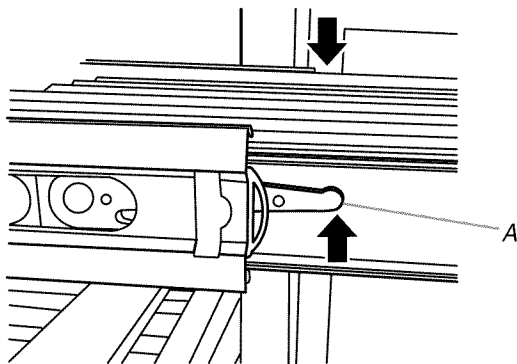
For best storing and serving temperatures for your bottle of wine, use the wine producer's recommended temperature setting. See the wine's label for details. It is recommended to store wine for short-term (few months) at 55°F (13°C).

WINES	ZONES
White Wine	Upper zone
Lighter Red Wine	Lower zone
Red Wine	Lower zone

Wine Racks

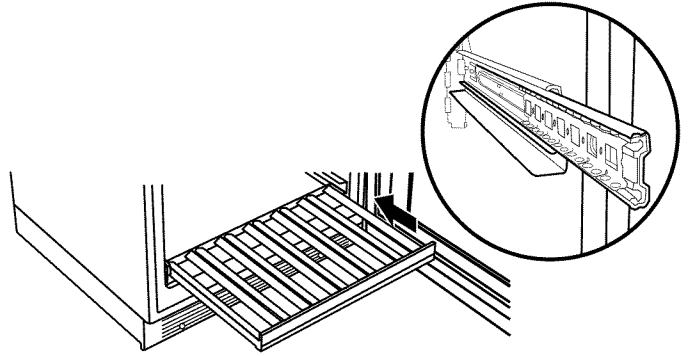
Remove and Replace the Top and Middle Racks

1. Pull the rack forward until it stops.
2. Lift up on the left-hand lever while pressing down on the right-hand lever to release the rack. Pull the rack forward and lift it up and out of the rack supports.



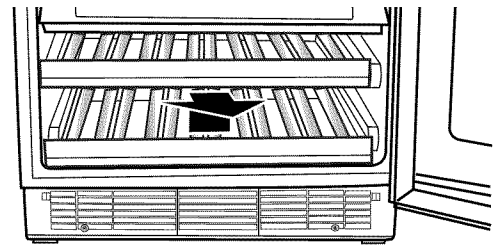
A. Lever

3. Replace the rack by inserting the rack into the supports and sliding it toward the rear of the wine cellar.



Remove and Replace the Bottom Rack

1. Lift the rack (front and back) up and pull straight out to remove.



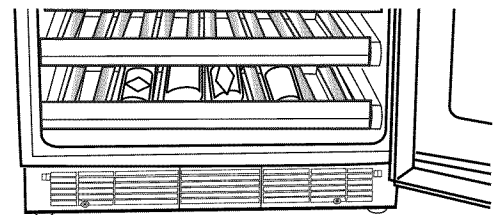
2. Replace the rack by pushing it straight back and over the stop. Continue pushing the rack evenly until it is in place.

Stocking the Wine Cellar

NOTE: For optimum wine storage, place white wines at the top of the wine cellar, light red wines in the center and red wines at the bottom.

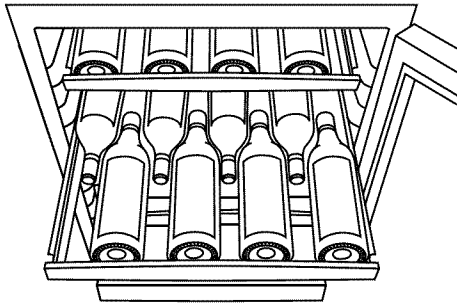
To stock the wine cellar

1. Start stocking the wine cellar with the bottom display rack.
2. Starting on the left-hand side, place the first bottle on the bottom of the rack with the neck of the bottle facing the front of the wine cellar.
3. Place the next bottle on its side with the neck of the bottle facing the back of the wine cellar. Alternate the direction of the bottles, in this manner, until the display rack is full.



4. Slide the bottom rack into place and pull the next rack forward.

- Continue stocking each remaining rack as described in the above steps.



Lighting the Wine Cellar

The wine cellar has an interior light that comes on any time the door is opened. You may also choose to keep the light on at all times by pressing the left side of the switch, located next to the temperature control, on the base grille.

NOTES:

- Leaving the light on for an extended period of time will slightly increase the temperature of the wine cellar.
- The light is an LED which does not need to be replaced. If the LED does not illuminate when the door is opened, call Service to replace the light. See Assistance or Service for contact information.

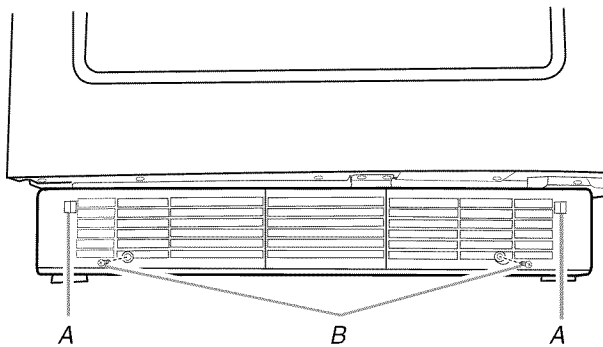
WINE CELLAR CARE

Base Grille

You must remove the base grille to access the condenser coils for cleaning.

To remove the base grille:

- Open the wine cellar door.
- Using a Phillips screwdriver, remove the two screws. Push both tabs in toward the center to release the base grille from the wine cellar.



A. Tabs
B. Screws

- Remove the base grille.

To replace the base grille:

- Open the wine cellar door.
- Position the base grille so that both tabs align and the base grille snaps into place. Replace the two screws. Tighten the screws.

Cleaning

⚠ WARNING



Explosion Hazard

Use nonflammable cleaner.

Failure to do so can result in death, explosion, or fire.

Clean the wine cellar about once a month to avoid buildup of odors. Wipe up spills immediately.

To clean your wine cellar:

- Unplug wine cellar or disconnect power.
- Remove all racks from inside the wine cellar.
- Hand wash, rinse, and dry removable parts and interior surfaces thoroughly. Use a clean sponge or soft cloth and a mild detergent in warm water.
 - To avoid damaging wooden tines and trim pieces, wipe them off with a clean sponge or soft cloth and warm water. Do not use detergent or immerse the entire rack into water when cleaning.
 - Do not use abrasive or harsh cleaners such as window sprays, scouring cleansers, flammable fluids, cleaning waxes, concentrated detergents, bleaches or cleansers containing petroleum products on plastic parts, interior and door liners or gaskets. Do not use paper towels, scouring pads, or other harsh cleaning tools. These can scratch or damage materials.
 - To help remove odors, you can wash interior walls with a mixture of warm water and baking soda (2 tbs to 1 qt [26 g to 0.95 L] of water).
- Wash stainless steel and painted metal exteriors with a clean sponge or soft cloth and a mild detergent in warm water. Do not use abrasive or harsh cleaners, or cleaners containing chlorine. These can scratch or damage materials. Dry thoroughly with a soft cloth.

NOTE: To keep your stainless steel wine cellar looking like new and to remove minor scuffs or marks, it is suggested that you use the manufacturer's approved Stainless Steel Cleaner and Polish. To order the cleaner, see "Accessories."

IMPORTANT: This cleaner is for stainless steel parts only!

Do not allow the Stainless Steel Cleaner and Polish to come into contact with any plastic parts such as the trim pieces, dispenser covers or door gaskets. If unintentional contact does occur, clean plastic part with a sponge and mild detergent in warm water. Dry thoroughly with a soft cloth.
- Replace the racks.
- Clean the condenser coils regularly. They are located behind the base grille. Coils may need to be cleaned as often as every other month. This may help save energy.
 - Remove the base grille. See "Base Grille."
 - Use a vacuum cleaner with an extended attachment to clean the condenser coils when they are dusty or dirty.
 - Replace the base grille.
- Plug in wine cellar or reconnect power.

Vacation and Moving Care

Vacations

If you choose to turn the wine cellar off before you leave, follow these steps.

1. Remove all wine bottles from the wine cellar.
2. Unplug the wine cellar.
3. Clean the wine cellar. See “Cleaning.”
4. Tape a rubber or wood block to the top of the door to prop it open far enough for air to get in. This stops odor and mold from building up.

Moving

When you are moving your wine cellar to a new home, follow these steps to prepare it for the move.

1. Remove all wine bottles from the wine cellar.
2. Unplug the wine cellar.
3. Clean, wipe, and dry it thoroughly.
4. Take out all removable parts, wrap them well, and tape them together so they don't shift and rattle during the move.
5. Tape the doors shut and tape the power cord to the wine cellar.

When you get to your new home, put everything back and refer to the “Installation Instructions” section for preparation instructions.

TROUBLESHOOTING

Try the solutions suggested here first in order to avoid the cost of an unnecessary service call.

Your wine cellar will not operate

⚠ WARNING



Electrical Shock Hazard

Plug into a grounded 3 prong outlet.

Do not remove ground prong.

Do not use an adapter.

Do not use an extension cord.

Failure to follow these instructions can result in death, fire, or electrical shock.

- **Is the power supply cord unplugged?** Plug into a grounded 3 prong outlet.
- **Has a household fuse blown, or has a circuit breaker tripped?** Replace the fuse or reset the circuit.
- **Is the Wine Cellar Control turned to the OFF position?** See “Using the Control.”

The motor seems to run too much

- **Is the temperature outside hotter than normal?** Expect the motor to run longer under warm conditions. At normal temperatures, expect your motor to run about 40% to 80% of the time. Under warmer conditions, expect it to run even more of the time.
- **Is the door opened often?** Expect the motor to run longer when this occurs. In order to conserve energy, try to get everything you need out of the wine cellar at once, keep wine bottles positioned label side up so that they are easy to find, and close the door as soon as the wine is removed.

- **Is the control set correctly for the surrounding conditions?** See “Using the Control.”
- **Is the door closed completely?** Push the door firmly shut. If it will not shut all the way, see “The door will not close completely” later in this section.
- **Are the condenser coils dirty?** This obstructs air transfer and makes the motor work harder. Clean the condenser coils. See “Cleaning.”

Temperature is too warm

- **Is the door opened often?** Be aware that the wine cellar will warm when this occurs. In order to keep the wine cellar cool, try to get everything you need out of the wine cellar at once, keep wine bottles positioned label side up so that they are easy to find, and close the door as soon as the wine is removed.
- **Is the control set correctly for the surrounding conditions?** See “Using the Control.”
- **Is the base grille blocked?** For best performance, do not install the wine cellar behind a cabinet door or block the base grille.

There is interior moisture buildup

- **Is the door opened often?** To avoid humidity buildup, try to get everything you need out of the wine cellar at once, keep wine bottles positioned label side up so that they are easy to find, and close the door as soon as the wine is removed. When the door is opened, humidity from the room air enters the wine cellar. The more often the door is opened, the faster humidity builds up, especially when the room itself is very humid.
- **Is it humid?** It is normal for moisture to build up inside the wine cellar when the air is humid.
- **Is the control set correctly for the surrounding conditions?** See “Using the Control.”

The door is difficult to open

WARNING



Explosion Hazard

Use nonflammable cleaner.

Failure to do so can result in death, explosion, or fire.

- **Is the gasket dirty or sticky?** Clean the gasket and the surface that it touches. Rub a thin coat of paraffin wax on the gasket following cleaning.

The door will not close completely

WARNING



Explosion Hazard

Use nonflammable cleaner.

Failure to do so can result in death, explosion, or fire.

- **Is the gasket sticking?** Clean the gasket and the surface that it touches. Rub a thin coat of paraffin wax on the gasket following cleaning.

ASSISTANCE OR SERVICE

Before calling for assistance or service, please check "Troubleshooting." It may save you the cost of a service call. If you still need help, follow the instructions below.

When calling, please know the purchase date and the complete model and serial number of your appliance. This information will help us to better respond to your request.

If you need replacement parts

If you need to order replacement parts, we recommend that you only use factory specified replacement parts. Factory specified replacement parts will fit right and work right because they are made with the same precision used to build every new Jenn-Air® appliance.

To locate factory specified replacement parts in your area, call us or your nearest designated service center.

In the U.S.A.

Call the Jenn-Air Customer eXperience Center toll free: **1-800-JENNAIR (1-800-536-6247)**.

Our consultants provide assistance with:

- Features and specifications on our full line of appliances.
- Installation information.
- Use and maintenance procedures.
- Accessory and repair parts sales.
- Specialized customer assistance (Spanish speaking, hearing impaired, limited vision, etc.).
- Referrals to local dealers, repair parts distributors, and service companies. Jenn-Air designated service technicians are trained to fulfill the product warranty and provide after-warranty service, anywhere in the United States.

To locate the Jenn-Air designated service company in your area, you can also look in your telephone directory Yellow Pages.

For further assistance

If you need further assistance, you can write to Jenn-Air with any questions or concerns at:

Jenn-Air Brand Home Appliances
Customer eXperience Center
553 Benson Road
Benton Harbor, MI 49022-2692

Please include a daytime phone number in your correspondence.

In Canada

Call the Jenn-Air Canada Customer eXperience Centre toll free: **1-800-JENNAIR (1-800-536-6247)**.

Our consultants provide assistance with:

- Features and specifications on our full line of appliances.
- Use and maintenance procedures.
- Accessory and repair parts sales.
- Referrals to local dealers, repair parts distributors, and services companies. Jenn-Air Canada designated service technicians are trained to fulfill the product warranty and provide after-warranty service, anywhere in Canada.

For further assistance

If you need further assistance, you can write to Jenn-Air Canada with any questions or concerns at:

Jenn-Air Canada
Customer eXperience Centre
200 – 6750 Century Ave.
Mississauga, Ontario L5N 0B7

Please include a daytime phone number in your correspondence.

JENN-AIR® REFRIGERATOR WARRANTY

FIRST YEAR LIMITED WARRANTY

For one year from the date of purchase, when this major appliance is installed, operated and maintained according to instructions attached to or furnished with the product, Jenn-Air brand of Whirlpool Corporation or Whirlpool Canada LP (hereafter "Jenn-Air") will pay for factory specified replacement parts and repair labor to correct defects in materials or workmanship that existed when this major appliance was purchased.

SECOND THROUGH FIFTH YEAR LIMITED WARRANTY ON CAVITY LINER AND SEALED REFRIGERATION SYSTEM

In the second through fifth years from the date of purchase, when this major appliance is installed, operated and maintained according to the instructions attached to or furnished with the product, Jenn-Air brand will pay for factory specified replacement parts and repair labor for the following components to correct non-cosmetic defects in materials and workmanship in this part that prevent function of the refrigerator and that existed when this major appliance was purchased:

- Refrigerator/freezer cavity liner if the part cracks due to defective materials or workmanship.
- Sealed Refrigeration system (includes compressor, evaporator, condenser, dryer and connecting tubing).

YOUR SOLE AND EXCLUSIVE REMEDY UNDER THE LIMITED WARRANTY SHALL BE PRODUCT REPAIR AS PROVIDED HEREIN. Service must be provided by a designated Jenn-Air service company. This limited warranty is valid in the United States or Canada and applies only when the major appliance is used in the country in which it was purchased. This limited warranty is effective from the date of the original consumer purchase. Proof of original purchase date is required to obtain service under this limited warranty.

ITEMS EXCLUDED FROM WARRANTY

This limited warranty does not cover:

1. Replacement parts or repair labor if this major appliance is used for other than normal, single-family household use or when it is used in a manner that is inconsistent to published user or operator instructions and/or installation instructions.
2. Service calls to correct the installation of your major appliance, to instruct you on how to use your major appliance, to replace or repair house fuses, or to correct house wiring or plumbing.
3. Service calls to repair or replace appliance light bulbs, air filters or water filters. Consumable parts are excluded from warranty coverage.
4. Damage resulting from accident, alteration, misuse, abuse, fire, flood, acts of God, improper installation, installation not in accordance with electrical or plumbing codes, or use of products not approved by Jenn-Air.
5. Cosmetic damage, including scratches, dents, chips or other damage to the finish of your major appliance, unless such damage results from defects in materials or workmanship and is reported to Jenn-Air within 30 days from the date of purchase.
6. Any food or medicine loss due to refrigerator or freezer product failures.
7. Pickup and delivery. This major appliance is intended to be repaired in your home.
8. Repairs to parts or systems resulting from unauthorized modifications made to the appliance.
9. Expenses for travel and transportation for product service if your major appliance is located in a remote area where service by an authorized Jenn-Air servicer is not available.
10. The removal and reinstallation of your major appliance if it is installed in an inaccessible location or is not installed in accordance with Jenn-Air's published installation instructions.
11. Replacement parts or repair labor on major appliances with original model/serial numbers that have been removed, altered or cannot be easily determined.
12. Discoloration, rust or oxidation of stainless steel surfaces.

The cost of repair or replacement under these excluded circumstances shall be borne by the customer.

DISCLAIMER OF IMPLIED WARRANTIES

IMPLIED WARRANTIES, INCLUDING ANY IMPLIED WARRANTY OF MERCHANTABILITY OR IMPLIED WARRANTY OF FITNESS FOR A PARTICULAR PURPOSE, ARE LIMITED TO ONE YEAR OR THE SHORTEST PERIOD ALLOWED BY LAW. Some states and provinces do not allow limitations on the duration of implied warranties of merchantability or fitness, so this limitation may not apply to you. This warranty gives you specific legal rights, and you also may have other rights that vary from state to state or province to province.

DISCLAIMER OF REPRESENTATIONS OUTSIDE OF WARRANTY

Jenn-Air makes no representations about the quality, durability, or need for service or repair of this major appliance other than the representations contained in this Warranty. If you want a longer or more comprehensive warranty than the limited warranty that comes with this major appliance, you should ask Jenn-Air or your retailer about buying an extended warranty.

LIMITATION OF REMEDIES; EXCLUSION OF INCIDENTAL AND CONSEQUENTIAL DAMAGES

YOUR SOLE AND EXCLUSIVE REMEDY UNDER THIS LIMITED WARRANTY SHALL BE PRODUCT REPAIR AS PROVIDED HEREIN. JENN-AIR SHALL NOT BE LIABLE FOR INCIDENTAL OR CONSEQUENTIAL DAMAGES. Some states and provinces do not allow the exclusion or limitation of incidental or consequential damages, so these limitations and exclusions may not apply to you. This warranty gives you specific legal rights, and you also may have other rights that vary from state to state or province to province.

If outside the 50 United States and Canada, contact your authorized Jenn-Air dealer to determine if another warranty applies.

If you think you need repair service, first see the "Troubleshooting" section of the Use & Care Guide. If you are unable to resolve the problem after checking "Troubleshooting," additional help can be found by checking the "Assistance or Service" section or by calling us at **1-800-JENNAIR (1-800-536-6247)**.

Keep this book and your sales slip together for future reference. You must provide proof of purchase or installation date for in-warranty service.

Write down the following information about your major appliance to better help you obtain assistance or service if you ever need it. You will need to know your complete model number and serial number. You can find this information on the model and serial number label located on the product.

Dealer name _____

Address _____

Phone number _____

Model number _____

Serial number _____

Purchase date _____

SEGURIDAD DE LA BODEGA

Su seguridad y la seguridad de los demás es muy importante.

Hemos incluido muchos mensajes importantes de seguridad en este manual y en su electrodoméstico. Lea y obedezca siempre todos los mensajes de seguridad.



Este es el símbolo de advertencia de seguridad.

Este símbolo le llama la atención sobre peligros potenciales que pueden ocasionar la muerte o una lesión a usted y a los demás.

Todos los mensajes de seguridad irán a continuación del símbolo de advertencia de seguridad y de la palabra "PELIGRO" o "ADVERTENCIA". Estas palabras significan:

 **PELIGRO**

Si no sigue las instrucciones de inmediato, usted puede morir o sufrir una lesión grave.

 **ADVERTENCIA**

Si no sigue las instrucciones, usted puede morir o sufrir una lesión grave.

Todos los mensajes de seguridad le dirán el peligro potencial, le dirán cómo reducir las posibilidades de sufrir una lesión y lo que puede suceder si no se siguen las instrucciones.

INSTRUCCIONES IMPORTANTES DE SEGURIDAD

ADVERTENCIA: Para reducir el riesgo de incendio, choque eléctrico, o lesiones personales al usar su bodega, siga estas precauciones básicas:

- Conecte a un contacto de pared de conexión a tierra de 3 terminales.
- No quite la terminal de conexión a tierra.
- No use un adaptador.
- No use un cable eléctrico de extensión.
- Desconecte el suministro de energía antes de darle servicio.
- Vuelva a colocar todos los componentes y paneles antes de hacerlo funcionar.
- Remueva las puertas de su bodega vieja.
- Use un limpiador no inflamable.
- Mantenga los materiales y vapores inflamables, tales como gasolina, alejados de la bodega.
- Use dos o más personas para mover e instalar la bodega.

GUARDE ESTAS INSTRUCCIONES

Advertencias de la Proposición 65 del estado de California:

ADVERTENCIA: Este producto contiene una o más sustancias químicas identificadas por el estado de California como causantes de cáncer.

ADVERTENCIA: Este producto contiene una o más sustancias químicas identificadas por el estado de California como causantes de defectos congénitos o algún otro tipo de daños en la función reproductora.

Cómo deshacerse adecuadamente de su bodega vieja

⚠️ ADVERTENCIA

Peligro de Asfixia

Remueva las puertas de su bodega vieja.

No seguir esta instrucción puede ocasionar la muerte o daño al cerebro.

IMPORTANTE: El atrapamiento y asfixia de niños no es un problema del pasado. Las bodegas tiradas y abandonadas son un peligro, aún si van a quedar ahí "por unos pocos días". Si Ud. está por deshacerse de su bodega vieja, por favor siga las instrucciones que se dan a continuación para prevenir accidentes.

Antes de descartar su vieja bodega:

- Saque la puerta.
- Deje los portabotellas en su lugar así los niños no pueden meterse adentro con facilidad.



Información importante para saber acerca del desecho de refrigerantes:

Deshágase del refrigerador siguiendo los reglamentos federales y locales. Los refrigerantes deberán ser evacuados por un técnico certificado en refrigeración por EPA (Agencia de protección del medioambiente) según los procedimientos establecidos.

REQUISITOS DE INSTALACIÓN

Piezas y herramientas

Reúna las herramientas y piezas necesarias antes de comenzar la instalación.

HERRAMIENTAS NECESARIAS:

- Destornillador Phillips

PIEZAS NECESARIAS:

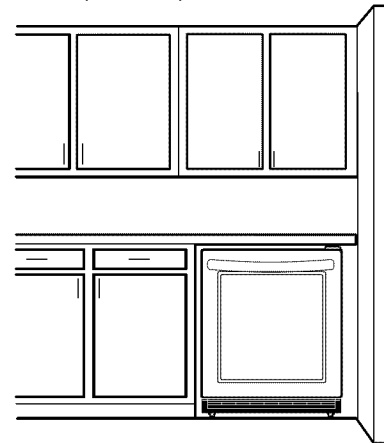
Marco recubierto a la medida - Vea "Marco recubierto - Vista posterior".

Piezas de ferretería (opcionales)

PIEZAS SUMINISTRADAS:

- Tornillos M4 x 14 (12)

- No se recomienda instalar la bodega cerca de un horno, un radiador u otra fuente de calor.
- No la instale en un lugar donde la temperatura puede ser menor de 55 °F (13 °C). Para obtener un óptimo funcionamiento, no instale la bodega detrás de la puerta de un armario ni bloquee la rejilla de la base.



Requisitos de ubicación

⚠️ ADVERTENCIA



Peligro de Explosión

Mantenga los materiales y vapores inflamables, tales como gasolina, alejados de la bodega.

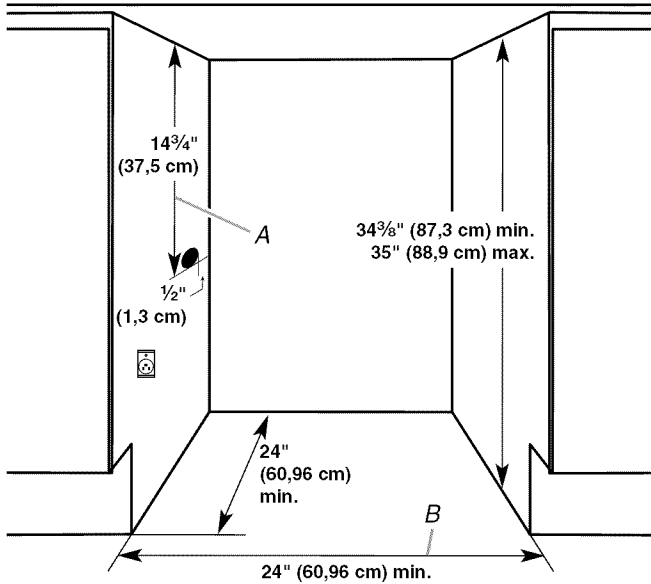
No seguir esta instrucción puede ocasionar la muerte, explosión, o incendio.

NOTAS:

- Para que la bodega quede nivelada con los armarios inferiores, quite los zócalos y las molduras de la abertura trasera. Vea "Medidas del producto" y "Medidas de la abertura" más adelante en esta sección.

Medidas de la abertura

- Las medidas de altura indicadas consideran las patas niveladoras extendidas a una altura mínima.
NOTA: Si las patas niveladoras están totalmente extendidas agregue $\frac{5}{8}$ " (15.9 mm) a las medidas de altura. Vea "Medidas del producto."
- Si el piso de la abertura no está nivelado con el piso de la cocina, ponga calzas en la abertura para que quede nivelado con el piso de la cocina.



Dimensiones fundamentales:

- A. Abertura de uso general de $14\frac{3}{4}$ " (37,5 cm)
- B. Ancho mínimo de la abertura de 24" (60,96 cm)

Requisitos eléctricos

⚠ ADVERTENCIA



Peligro de Choque Eléctrico

Conecte a un contacto de pared de conexión a tierra de 3 terminales.

No quite la terminal de conexión a tierra.

No use un adaptador.

No use un cable eléctrico de extensión.

No seguir estas instrucciones puede ocasionar la muerte, incendio o choque eléctrico.

Antes de mover la bodega a su ubicación final, es importante asegurarse de que tiene la conexión eléctrica adecuada.

Método de conexión a tierra recomendado

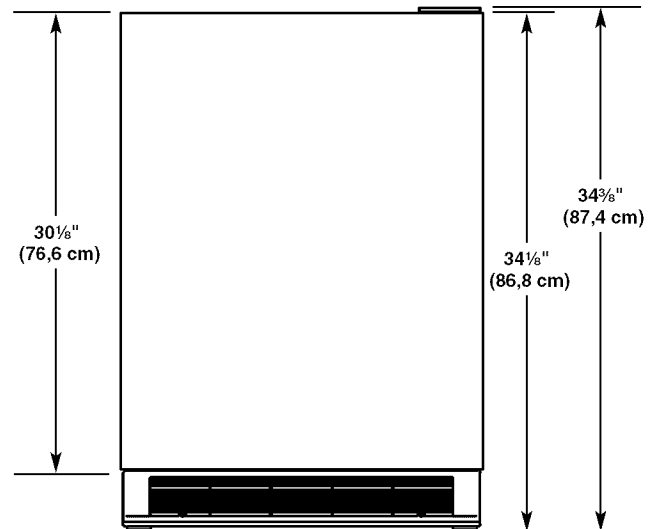
Se requiere una fuente de energía eléctrica de 115 Voltios, 60 Hz., CA solamente y con fusibles de 15 ó 20 amperios, debidamente conectada a tierra. Se recomienda que use un circuito separado sólo para su bodega. Use un tomacorriente que no se pueda apagar con un interruptor. No use un cable eléctrico de extensión.

NOTA: Antes de realizar cualquier tipo de instalación, limpieza o de quitar un foco de luz, desenchufe la bodega o desconecte la fuente de energía.

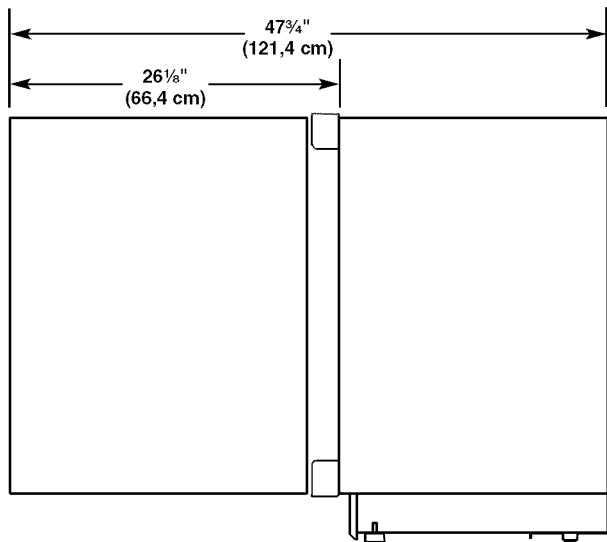
Medidas del producto

- Las medidas de altura se muestran con las patas niveladoras SIN extender.
- El cable de suministro de energía es de 60" (152,4 cm) de largo.

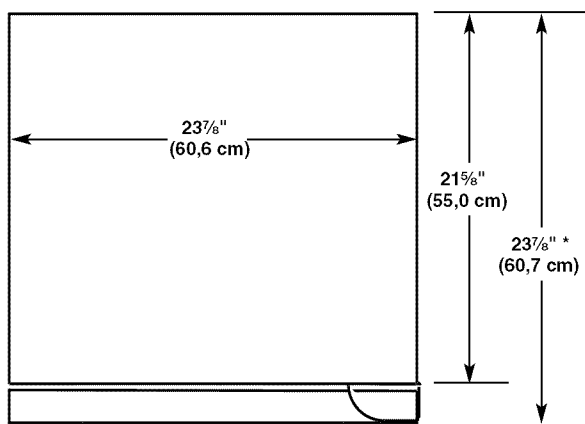
Vista delantera



Vista lateral (puerta abierta a 90°)



Vista superior



*Las dimensiones abarcan el panel del cajón a la medida grueso de 3/4" (1,9 cm).

Marco recubierto a la medida

Si va a instalar un marco recubierto a la medida, deberá hacerlo usted mismo o consultar con un carpintero o fabricante de gabinetes calificado. Para obtener información acerca de las especificaciones del marco, vea los gráficos dimensionales.

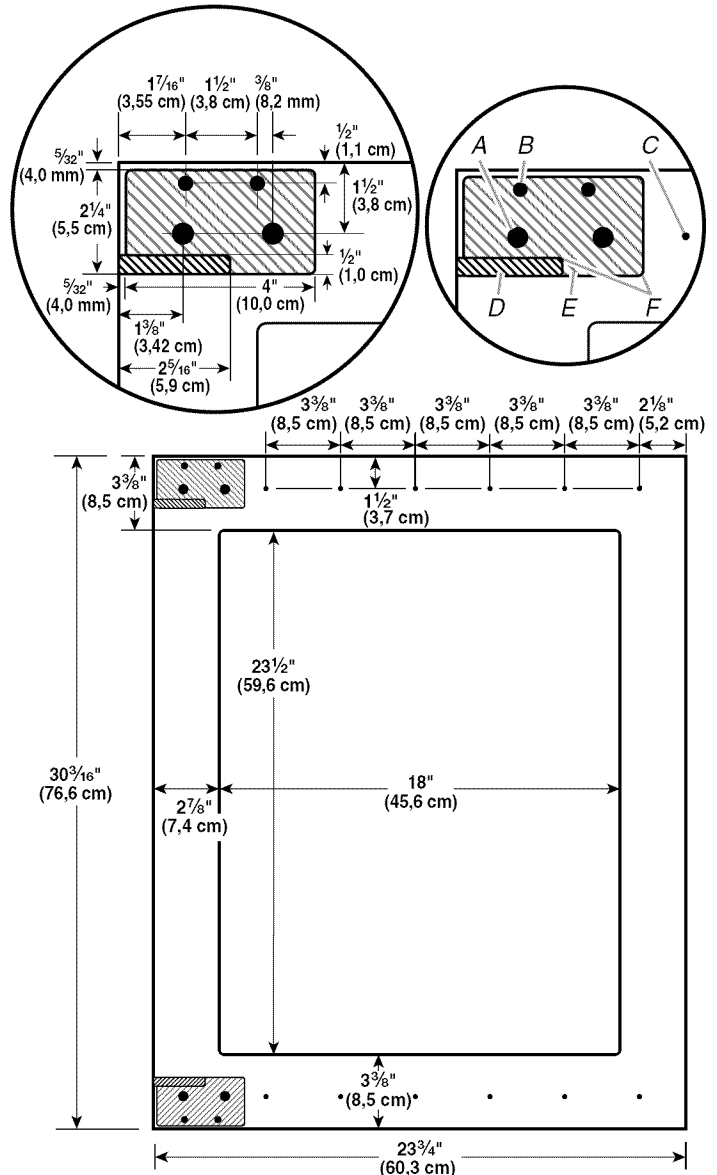
IMPORTANTE:

- El grosor del marco recubierto debe ser de 3/4" (1,91 cm).
- El marco recubierto no debe pesar más de 10 lbs (4,54 kg).
- Los marcos recubiertos que pesan más de lo recomendado pueden dañar su electrodoméstico.

Marco recubierto - Vista posterior

Cree su marco recubierto a la medida utilizando las medidas que se muestran.

IMPORTANTE: El siguiente gráfico muestra un marco a la medida para una puerta con las bisagras instaladas del lado derecho. Si su bodega tiene las bisagras instaladas del lado izquierdo, rote el marco a la medida 180° para que las marcas de las bisagras queden a la izquierda.



- Taladre los orificios con una broca de 15/32" (12 mm) hasta una profundidad de aproximadamente 1/2" (13 mm) antes de contornearlos. (4 orificios en total)
- Taladre los orificios con una broca de 5/16" (8 mm) hasta una profundidad de aproximadamente 1/2" (13 mm) antes de contornearlos. (4 orificios en total)
- Taladre los orificios con una broca de 7/64" (2,8 mm) hasta una profundidad de aproximadamente 1/2" (13 mm) antes de contornearlos. (12 orificios en total)
- Contornee las áreas sombreadas para las bisagras hasta una profundidad de 19/32" (15 mm).
- Contornee las áreas sombreadas para las bisagras hasta una profundidad de 1/4" (4 mm).
- Contornee un ángulo con un radio de 1/8" (3 mm) con una broca de 1/4". (5 radios en total)

INSTRUCCIONES DE INSTALACIÓN

Desempaque de la bodega

⚠ ADVERTENCIA

Peligro de Peso Excesivo

Use dos o más personas para mover e instalar la bodega.

No seguir esta instrucción puede ocasionar una lesión en la espalda u otro tipo de lesiones.

Cómo quitar los materiales de empaque

- Quite los residuos de cinta y goma de las superficies antes de encender la bodega. Frote un poco de detergente líquido para vajillas sobre el adhesivo con los dedos. Limpie con agua tibia y seque.
- No use instrumentos filosos, alcohol para fricciones, líquidos inflamables o productos de limpieza abrasivos para eliminar los restos de cinta o goma. Estos productos pueden dañar la superficie de su bodega. Para más información, vea “Seguridad de la bodega”.
- Deshágase de todos los materiales de embalaje o recíclelos.

Cuando mueva su bodega:

Su bodega es muy pesada. Cuando mueva la bodega para limpiarla o darle servicio, cerciórese de cubrir el piso con cartón o madera para evitar daños en el mismo. Al mover la bodega, siempre tire directamente hacia afuera. No menee la bodega de lado a lado ni la haga “caminar” cuando la trate de mover ya que podría dañar el piso.

Limpieza antes del uso

Una vez que usted haya quitado todos los materiales de empaque, limpie el interior de su bodega antes de usarla. Vea las instrucciones de limpieza en “Cuidado de su bodega”.

Cómo invertir el cierre de la puerta (opcional)

Las bisagras de la puerta vienen instaladas de fábrica a la derecha. Si desea que la puerta se abra en sentido opuesto, debe invertirla el sentido de apertura.

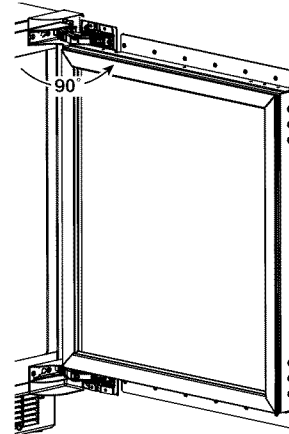
IMPORTANTE: Para evitar tensionar las bisagras, se recomienda que quite la puerta con la ayuda de dos personas.

Herramientas necesarias: Destornillador Phillips y llave hexagonal en L de 1/8”.

Cómo quitar la puerta

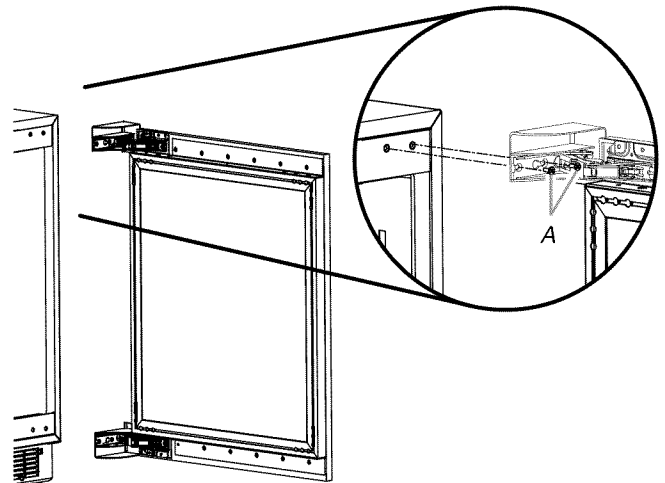
1. Desenchufe o desconecte el suministro de energía y quite todos los elementos que haya dentro.

2. Abra la puerta por completo a 90°.

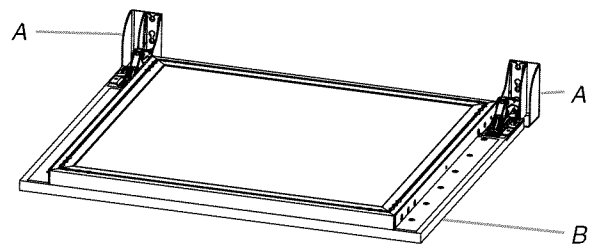


3. Mientras una persona sostiene la puerta, quite los tornillos que sujetan las bisagras de la parte superior e inferior del armario.

NOTA: después de quitar los tornillos y retirar la puerta del armario, se desprenderá un espaciador de plástico ubicado detrás de la bisagra inferior. Ponga el espaciador a un lado. Lo necesitará cuando vuelva a instalar la puerta.



4. Quite la puerta del armario y colóquela con suavidad sobre una superficie plana para no dañar las cubiertas de las bisagras superior e inferior.



A. Cubierta de la bisagra

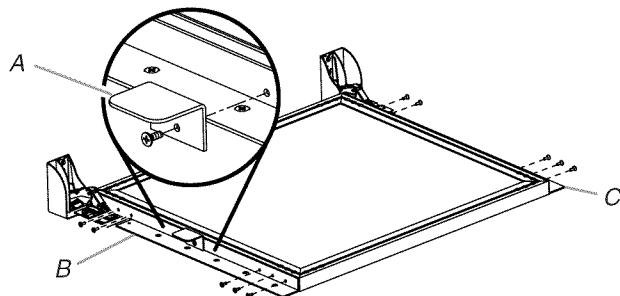
B. Marco recubierto de la puerta a la medida

5. Coloque nuevamente los tornillos en los orificios que quedaron después de haber quitado las bisagras del armario.
6. Si previamente, se instaló un panel de madera recubierto, quítelo. Consulte “Cómo instalar el marco recubierto a la medida”.

Cambio del sentido de apertura de la puerta

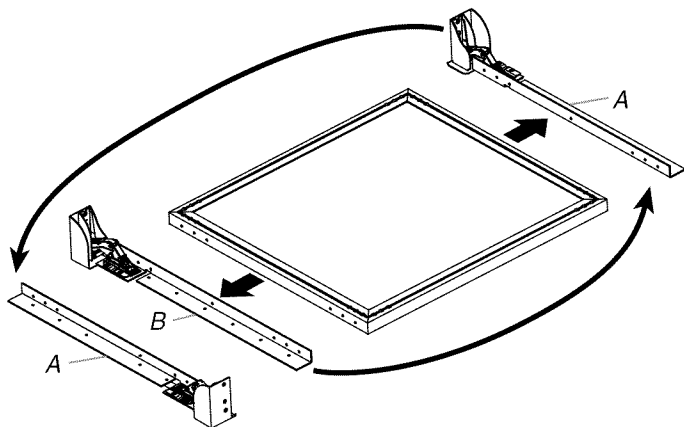
1. Quite los tornillos que sujetan las barras metálicas negras en L a la parte superior e inferior de la puerta.
2. Quite el tornillo que sujeta la placa metálica del interruptor de la luz al centro de la base de la barra en L. Quite la placa del interruptor de la luz.

NOTA: La placa del interruptor de la luz está sujeta con un tornillo y cinta adhesiva. Tal vez se necesite un poco de fuerza para quitarlo de la barra en L.



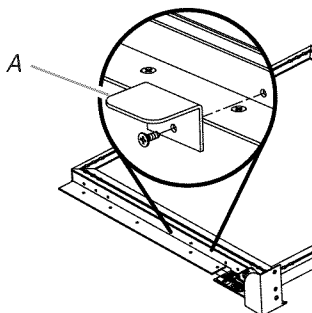
A. Placa del interruptor de la luz
B. Barra en L inferior
C. Barra en L superior

3. Quite las dos barras metálicas en L de la puerta teniendo en cuenta cuál estaba en la parte superior y cuál en la inferior.
4. Mueva las barras en L a los extremos opuestos de la puerta con las bisagras ahora del lado izquierdo (como usted lo ve de frente a la puerta).



A. Barra en L inferior
B. Barra en L superior

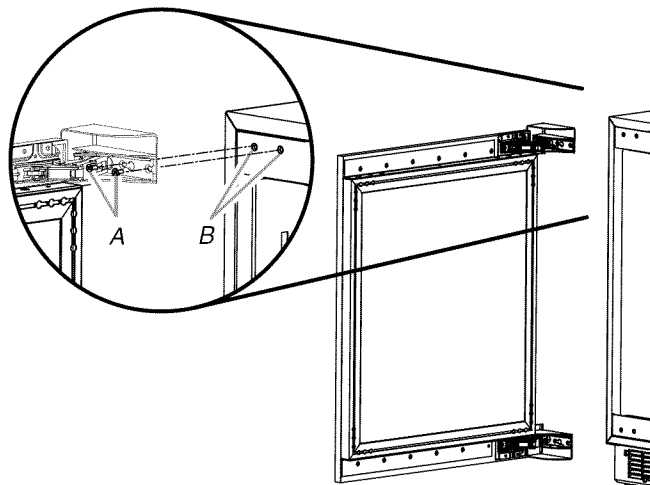
5. Usando los tornillos que quitó en el paso 1, vuelva a instalar las barras en L en su nueva ubicación en la puerta.
6. Usando el tornillo que se quitó en el paso 2 y la cinta adhesiva incluida en el juego de instalación de la puerta, vuelva a instalar la placa del interruptor de la luz en la parte inferior de la puerta.



7. Coloque nuevamente el panel recubierto, si este se quitó anteriormente. Consulte "Cómo instalar el marco recubierto a la medida".

Vuelva a colocar la puerta

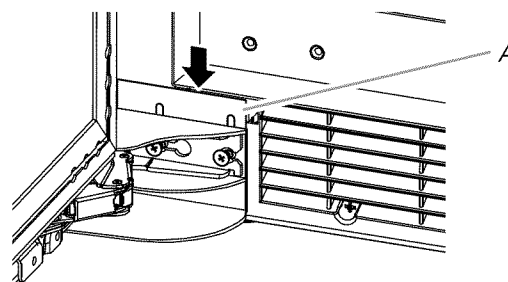
1. Asegúrese de que las cubiertas de las bisagras continúen unidas a las barras en L.
2. Quite los tornillos de las partes superior e inferior del lado opuesto del armario.
3. Alinee los orificios de las bisagras con los orificios del armario.



A. Tornillos de bisagras que se quitaron en el paso 2.
B. Orificios del armario

4. Con los tornillos que quitó en el paso 2, vuelva a sujetar la puerta de manera floja en el lado izquierdo del armario.
5. Deslice el espaciador de plástico sólo en la bisagra inferior con las ranuras mirando hacia abajo, entre la bisagra inferior y el armario.

NOTA: las ranuras del espaciador se deben pasar por los tornillos.



A. Espaciador de bisagra inferior

6. Ajuste firmemente los tornillos.

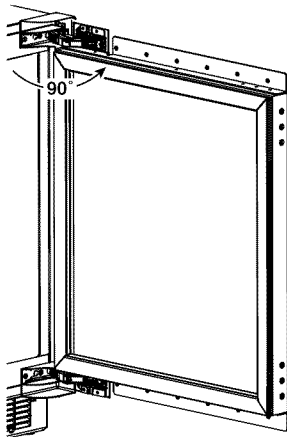
Cómo instalar el marco recubierto a la medida

IMPORTANTE:

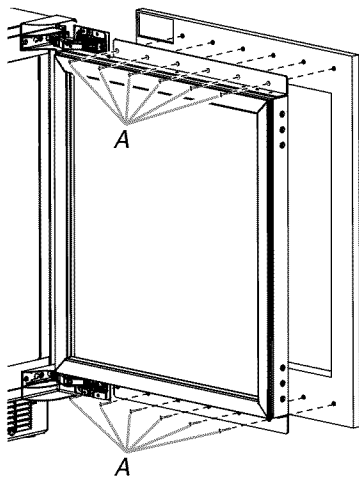
- Cree un marco recubierto a la medida de acuerdo con las especificaciones en la sección “Marco recubierto a la medida”.
- Jenn-Air no es responsable de la remoción o adición de molduras o paneles decorativos que pudieran impedir el acceso al electrodoméstico para darle servicio.

Instalación del marco a la medida

1. Abra la puerta por completo a 90°.

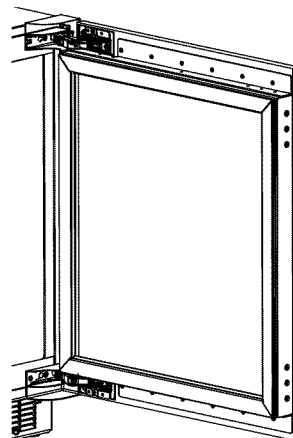


2. Con la ayuda de dos personas, sostenga el marco de madera de modo que los orificios del mismo se alineen con los orificios de las partes superior e inferior de la puerta. Luego, sujete a la puerta el marco a la medida con seis tornillos para madera en la parte superior y otros seis en la parte inferior.



A. Tornillos para madera de M4 x 14

3. Verifique que el marco a la medida esté alineado con la puerta y ajuste, por completo, los doce tornillos.



Cierre de la puerta

Cierre de la puerta

Su bodega tiene cuatro patas niveladoras. Si su bodega parece inestable o usted quiere que la puerta se cierre con mayor facilidad, ajuste la inclinación de la bodega usando las instrucciones a continuación.

⚠ ADVERTENCIA



Peligro de Choque Eléctrico

Conecte a un contacto de pared de conexión a tierra de 3 terminales.

No quite la terminal de conexión a tierra.

No use un adaptador.

No use un cable eléctrico de extensión.

No seguir estas instrucciones puede ocasionar la muerte, incendio o choque eléctrico.

1. Conecte a un contacto de pared de conexión a tierra de 3 terminales.

⚠ ADVERTENCIA

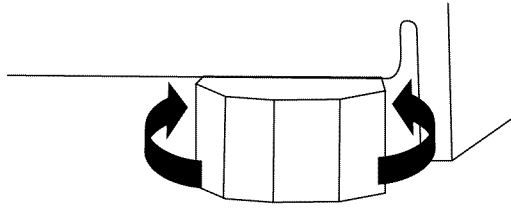
Peligro de Peso Excesivo

Use dos o más personas para mover e instalar la bodega.

No seguir esta instrucción puede ocasionar una lesión en la espalda u otro tipo de lesiones.

2. Mueva la bodega hacia su posición final.
3. Gire las patas niveladoras hacia la derecha para bajar la bodega o gírelas hacia la izquierda para levantarla. Puede precisar darles varias vueltas a las patas niveladoras para ajustar la inclinación de la bodega.

NOTA: Para quitar un poco de peso de las patas niveladoras, haga que alguien empuje la parte superior de la bodega. Esto facilita el ajuste de las patas niveladoras.



- Abra la puerta y verifique para asegurarse que se cierra con la facilidad que usted desea. Si no es así, gire ambos tornillos niveladores delanteros hacia la derecha para inclinar levemente la bodega más hacia atrás. Puede tomar varias vueltas más, y usted deberá girar ambas patas niveladoras la misma cantidad de veces.

USO DE LA BODEGA

Sonidos normales

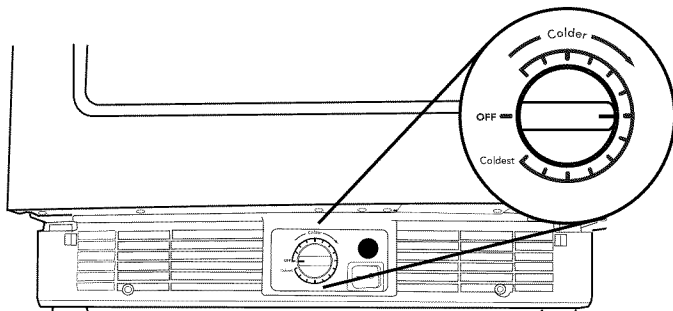
Su nueva bodega puede hacer ruidos que su vieja bodega no hacía. Como estos sonidos son nuevos para Ud., puede ser que se preocupe. La mayoría de los sonidos nuevos son normales. Las superficies duras tales como el piso y las estructuras circundantes pueden hacer que los sonidos parezcan más fuertes. A continuación se describen los tipos de sonidos y qué puede causarlos.

- Su bodega está diseñada para funcionar con más eficiencia para conservar el vino a la temperatura deseada y para reducir al mínimo el uso de energía. El compresor y los ventiladores de alta eficiencia pueden causar que su nueva bodega funcione por períodos de tiempo más largos que su bodega vieja. También puede escuchar un sonido pulsante o agudo del compresor o los ventiladores que se ajustan para un funcionamiento óptimo.
- Las vibraciones pueden producirse por el flujo de líquido refrigerante o artículos guardados dentro de la bodega.
- Al final de cada ciclo, Ud. puede escuchar un gorgoteo debido al flujo de líquido refrigerante en su bodega.
- Ud. puede escuchar agua corriendo hacia la bandeja recolectora cuando la bodega se está descongelando.
- Es posible que escuche sonidos de chasquido cuando la bodega comienza o deja de funcionar.

Uso del control

El control está ubicado detrás de la rejilla de la base. Levante por la puerta en el centro de la rejilla para acceder al control.

Para su comodidad, el control de su bodega ha sido prefijado de fábrica. Al instalar su bodega por primera vez, cerciórese de que el control aún esté prefijado en el ajuste medio, como se ilustra.



Cómo ajustar los controles

El ajuste medio debe ser el correcto para el uso normal. El control está fijado correctamente cuando el vino está tan frío como a usted le gusta.

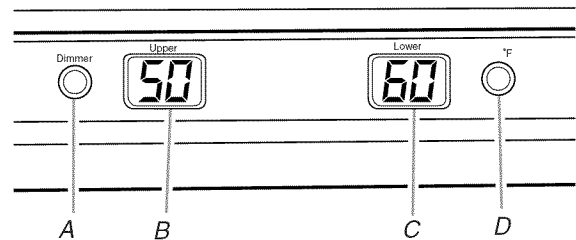
Si necesita ajustar la temperatura, espere por lo menos 24 horas entre un ajuste y otro, y después vuelva a verificar la temperatura.

Para hacer que la bodega esté más fría, coloque el control en el siguiente ajuste más alto. Para hacer que la bodega esté menos fría, coloque el control en el siguiente ajuste más bajo.

NOTA: Al ajustar el control de temperatura, aumentará o bajará la temperatura en las zonas (compartimientos) superior e inferior.

Separador de temperatura (Pantalla de temperatura)

El separador de temperatura muestra las temperaturas actuales (en Fahrenheit o centígrados) para las zonas (compartimientos) superior e inferior de la bodega. Para regular los ajustes de temperatura, vea "Cómo ajustar los controles" anteriormente en esta sección.



- A. Reductor de luz
- B. Pantalla de la zona superior
- C. Pantalla de la zona inferior
- D. Fahrenheit/centígrados

Ubicaciones recomendadas para el almacenaje en zonas

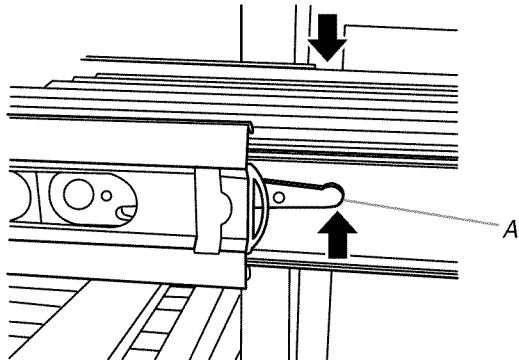
Para que la botella de vino tenga las mejores temperaturas de almacenamiento y para servir, use el ajuste de temperatura recomendado por el vitivinicultor. Vea la etiqueta del vino para obtener detalles. Se recomienda almacenar el vino a corto plazo (unos meses) a 55°F (13°C).

VINOS	ZONAS
Vino blanco	Zona superior
Vino rosado	Zona inferior
Vino tinto	Zona inferior

Portabotellas

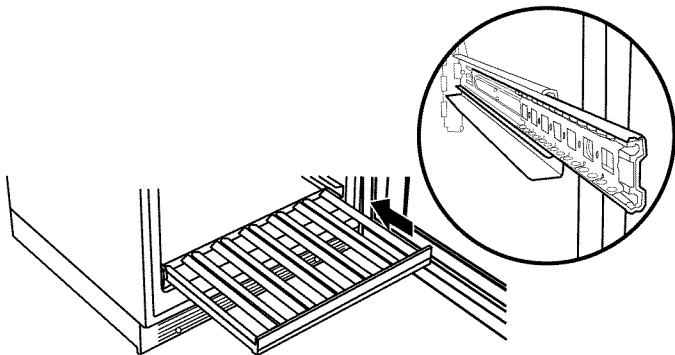
Para quitar y volver a colocar los portabotellas superior y central

1. Jale el portabotellas hacia adelante hasta que se detenga.
2. Levante la palanca izquierda mientras presiona la palanca derecha para liberar el portabotellas. Jale el portabotellas hacia delante y levántelo fuera de los soportes del mismo.



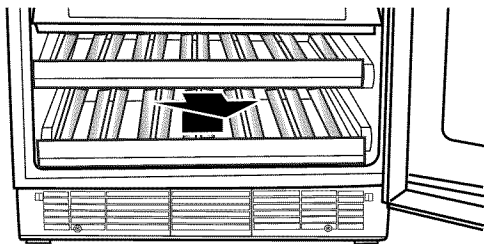
A. Palanca

3. Vuelva a colocar el portabotellas insertándolo en los soportes y deslizando hacia la parte posterior de la bodega.



Para quitar y volver a colocar el portabotellas inferior

1. Levante el portabotellas (por la parte frontal y trasera) y jálelo derecho hacia afuera para quitarlo.



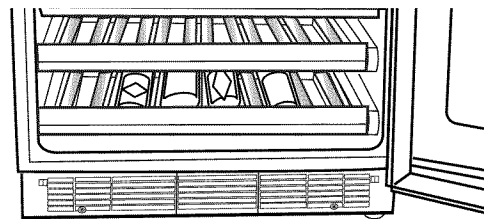
2. Vuelva a colocar el portabotellas empujando derecho hacia atrás, pasando el tope. Continúe empujando el portabotellas derecho hacia atrás y uniformemente hasta que quede en su lugar.

Cómo almacenar en la bodega

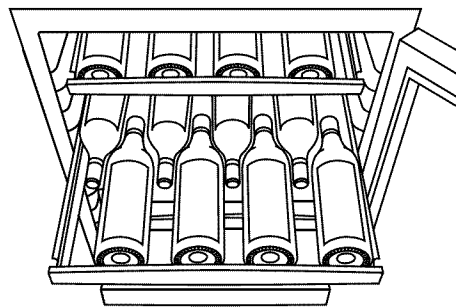
NOTA: Para un óptimo almacenamiento de vinos, coloque los vinos blancos en la parte superior de la bodega, los vinos rosados en el centro y los vinos tintos abajo.

Al almacenar en la bodega

1. Al almacenar, comience por el portabotellas inferior.
2. Empezando por el lado izquierdo, coloque la primera botella sobre la parte inferior del portabotellas, con el cuello de la botella mirando hacia la parte frontal de la bodega.
3. Coloque la próxima botella al costado, con el cuello de la botella mirando hacia la parte posterior de la bodega. Alterne de esta manera hasta llenar el portabotellas.



4. Deslice el portabotellas inferior hasta que quede en su lugar y jale hacia delante el próximo portabotellas.
5. Continúe almacenando en cada portabotellas restante como se describe en los pasos anteriores.



Cómo iluminar la bodega

La bodega tiene una luz interior que se enciende cada vez que se abre la puerta. También puede encender la luz en cualquier momento, presionando el lado izquierdo del interruptor que está ubicado al lado del control de temperatura, sobre la rejilla de la base.

NOTAS:

- Si se deja la luz encendida por mucho tiempo, aumentará ligeramente la temperatura de la bodega.
- La luz es LED y no necesita reemplazarse. Si el LED no se enciende cuando se abre la puerta, llame al Servicio técnico para reemplazar el foco. Vea "Ayuda o servicio técnico" para obtener la información de contacto.

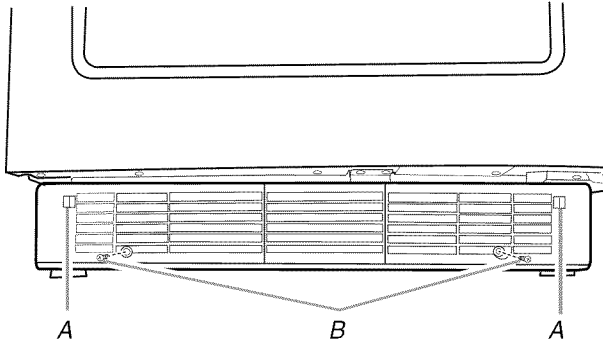
CUIDADO DE LA BODEGA

Rejilla de la base

Debe quitar la rejilla de la base para acceder a los serpentines del condensador y limpiarlos.

Para quitar la rejilla de la base:

1. Abra la puerta de la bodega.
2. Saque los dos tornillos con un destornillador Phillips. Empuje ambas lengüetas hacia el centro para liberar la rejilla de la base de la bodega.



A. Lengüetas
B. Tornillos

3. Quite la rejilla de la base.

Para volver a colocar la rejilla de la base:

1. Abra la puerta de la bodega.
2. Coloque la rejilla de la base de manera que ambas lengüetas estén alineadas y la rejilla de la base encaje en su lugar. Vuelva a colocar los dos tornillos. Apriete los tornillos.

Limpieza

⚠ ADVERTENCIA



Peligro de Explosión

Use un limpiador no inflamable.

No seguir esta instrucción puede ocasionar la muerte, explosión o incendio.

Limpie la bodega más o menos una vez al mes para evitar la acumulación de olores. Limpie los derrames de inmediato.

Cómo limpiar la bodega:

1. Desenchufe la bodega o desconecte el suministro de energía.
2. Retire todos los portabotellas del interior de la bodega.

3. Lave a mano, enjuague y seque todas las partes desmontables y las superficies interiores meticulosamente. Use una esponja limpia o un paño liso y un detergente suave en agua tibia.

- Para evitar daños en las piezas del adorno de madera, límpielas con una esponja limpia o un paño suave y agua tibia. No use detergente ni sumerja todo el portabotellas en agua cuando lo esté limpiando.
- No use productos de limpieza abrasivos o ásperos, como aerosoles para ventanas, productos de limpieza para pulir, líquidos inflamables, ceras para limpieza, detergentes concentrados, blanqueadores o productos de limpieza que contengan productos de petróleo en las partes de plástico, revestimientos interiores o de la puerta o juntas. No use toallas de papel, estropajos para fregar u otros utensilios de limpieza ásperos. Éstos pueden rayar o dañar los materiales.
- Para ayudar a eliminar olores, puede lavar las paredes interiores con una mezcla de agua tibia y bicarbonato de sodio (2 cucharadas en un cuarto de galón [26 g en 0,95 L] de agua).

4. Lave las superficies externas metálicas pintadas y de acero inoxidable con una esponja limpia o un paño suave y detergente delicado con agua tibia. No use productos de limpieza abrasivos o ásperos o que contengan cloro. Éstos pueden rayar o dañar los materiales. Seque meticulosamente con un paño suave.

NOTA: Para mantener como nueva su bodega de acero inoxidable y para quitar marcas o rayaduras pequeñas, se sugiere usar el limpiador de acero inoxidable aprobado por el fabricante. Para pedir el limpiador, vea "Accesorios".

IMPORTANTE: ¡Este limpiador es solamente para partes de acero inoxidable!

No permita que el limpiador de acero inoxidable entre en contacto con ninguna parte de plástico tales como las piezas del marco, las tapas del despachador o las juntas de la puerta. Si se produce contacto no intencional, limpie la pieza de plástico con una esponja y detergente suave en agua tibia. Seque meticulosamente con un paño suave.

5. Vuelva a colocar los portabotellas.
6. Limpie los serpentines del condensador regularmente. Están ubicados detrás de la rejilla de la base. Quizás necesite limpiar los serpentines cada dos meses. Esto puede ayudar a ahorrar energía.
 - Quite la rejilla de la base. Vea "Rejilla de la base".
 - Use una aspiradora con extensión para limpiar los serpentines del condensador siempre que estén sucios o polvorientos.
 - Vuelva a colocar la rejilla de la base.
7. Enchufe la bodega o reconecte el suministro de energía.

Cuidado durante las vacaciones y mudanzas

Vacaciones

Si Ud. decide apagar la bodega antes de irse, siga estos pasos.

1. Saque todas las botellas de vino de la bodega.
2. Desenchufe la bodega.
3. Limpie la bodega. Vea "Limpieza".
4. Fije un bloque de goma o de madera con cinta adhesiva a la parte superior de la puerta para que quede abierta y el aire circule. Esto evita que se formen olores y que crezcan hongos.

Mudanza

Si Ud. muda su bodega a una casa nueva, siga los pasos a continuación para prepararse para la mudanza.

1. Saque todas las botellas de vino de la bodega.
2. Desenchufe la bodega.
3. Límpiela, pásele un paño y séquela detalladamente.
4. Saque todas las partes desmontables, envuélvalas bien y asegúrelas con cinta adhesiva para que no se sacudan durante la mudanza.
5. Sostenga las puertas cerradas y el cable pegado a la carcasa de la bodega con cinta adhesiva.

Cuando llegue a la casa nueva, ponga todo de nuevo en su lugar y lea la sección "Instrucciones de instalación" para obtener instrucciones de preparación.

SOLUCIÓN DE PROBLEMAS

Primero pruebe las soluciones sugeridas aquí para evitar el costo innecesario del servicio.

La bodega no funciona

ADVERTENCIA



Peligro de Choque Eléctrico

Conecte a un contacto de pared de conexión a tierra de 3 terminales.

No quite la terminal de conexión a tierra.

No use un adaptador.

No use un cable eléctrico de extensión.

No seguir estas instrucciones puede ocasionar la muerte, incendio o choque eléctrico.

- **¿Está desenchufado el cable de suministro de energía?** Conecte a un contacto de pared de conexión a tierra de 3 terminales.
- **¿Hay un fusible de la casa fundido o se disparó el cortacircuitos?** Reemplace el fusible o reposicione el cortacircuitos.
- **¿Se ha colocado el control de la bodega en la posición de apagado (OFF)?** Vea "Uso del control".

Parece que el motor funciona excesivamente

- **¿Está la temperatura exterior más caliente de lo normal?** En condiciones de calor, el motor funciona por períodos más largos. Cuando la temperatura es normal, el motor funciona entre 40% y 80% del tiempo. Bajo condiciones más calientes, puede funcionar por aún más tiempo.
- **¿Se abre la puerta a menudo?** Cuando esto ocurre, el motor puede funcionar por períodos más largos. Para ahorrar energía, trate de sacar todo lo que necesite de la bodega de

una vez, mantenga las botellas de vino con las etiquetas hacia arriba para que sean fáciles de encontrar y cierre la puerta una vez que se haya sacado el vino.

- **¿Se ha ajustado el control correctamente de acuerdo con las condiciones circundantes?** Vea "Uso del control".
- **¿Está completamente cerrada la puerta?** Cierre la puerta con firmeza. Si no se cierra completamente, vea "La puerta no cierra completamente" más adelante en esta sección.
- **¿Están sucios los serpentines del condensador?** Esto obstruye la transferencia de aire y hace que el motor trabaje más. Limpie los serpentines del condensador. Vea "Limpieza".

La temperatura está demasiado alta

- **¿Se abre la puerta a menudo?** Sea consciente de que la bodega se calienta cuando esto ocurre. Para mantener la bodega fría, trate de sacar todo lo que necesite de la bodega de una vez, mantenga las botellas de vino con las etiquetas hacia arriba para que sean fáciles de encontrar y cierre la puerta una vez que se haya sacado el vino.
- **¿Se ha ajustado el control correctamente de acuerdo con las condiciones circundantes?** Vea "Uso del control".
- **¿Está bloqueada la rejilla de la base?** Para obtener un óptimo funcionamiento, no instale la bodega detrás de la puerta de un armario ni bloquee la rejilla de la base.

Hay acumulación de humedad en el interior

- **¿Se abre la puerta a menudo?** Para evitar la acumulación de humedad, trate de sacar todo lo que necesite de la bodega de una vez, mantenga las botellas de vino con las etiquetas hacia arriba para que sean fáciles de encontrar y cierre la puerta una vez que se haya sacado el vino. Cuando la puerta está abierta, la humedad de la habitación entra a la bodega. La humedad se acumula más rápido cuanto más seguido se abre la puerta, especialmente cuando la habitación está muy húmeda.
- **¿Hay humedad?** Es normal que se acumule humedad dentro de la bodega cuando el aire está húmedo.
- **¿Se ha ajustado el control correctamente de acuerdo con las condiciones circundantes?** Vea "Uso del control".

Es difícil abrir la puerta

ADVERTENCIA



Peligro de Explosión

Use un limpiador no inflamable.

No seguir esta instrucción puede ocasionar la muerte, explosión o incendio.

- **¿Está la junta sucia o pegajosa?** Limpie la junta y la superficie que ésta toque. Frote una capa delgada de cera de parafina sobre la junta después de la limpieza.

La puerta no cierra completamente

ADVERTENCIA



Peligro de Explosión

Use un limpiador no inflamable.

No seguir esta instrucción puede ocasionar la muerte, explosión o incendio.

- **¿Está la junta pegajosa?** Limpie la junta y la superficie que ésta toque. Frote una capa delgada de cera de parafina sobre la junta después de la limpieza.

AYUDA O SERVICIO TÉCNICO

Antes de solicitar ayuda o servicio técnico, por favor consulte la sección "Solución de problemas". Esto le podría ahorrar el costo de una visita de servicio técnico. Si considera que aún necesita ayuda, siga las instrucciones que aparecen a continuación.

Cuando llame, tenga a mano la fecha de compra y el número completo del modelo y de la serie de su electrodoméstico. Esta información nos ayudará a atender mejor a su pedido.

Si necesita piezas de repuesto

Si necesita pedir refacciones, recomendamos que use únicamente piezas de repuesto especificadas de fábrica. Las piezas de repuesto especificadas de fábrica encajarán bien y funcionarán bien ya que están confeccionadas con la misma precisión empleada en la fabricación de cada electrodoméstico nuevo de Jenn-Air®.

Para encontrar piezas de repuesto especificadas de fábrica en su localidad, llámenos o llame al centro de servicio técnico designado más cercano a su localidad.

En los EE.UU.

Llame al centro para la eXperiencia del cliente de Jenn-Air sin costo alguno al: **1-800-JENNAIR (1-800-536-6247)**.

Nuestros consultores ofrecen ayuda para:

- Características y especificaciones de nuestra línea completa de electrodomésticos.
- Información sobre la instalación.
- Procedimiento para el uso y mantenimiento.
- Venta de accesorios y partes para reparación.
- Asistencia especializada para el consumidor (habla hispana, problemas de audición, visión limitada, etc.).
- Recomendaciones con distribuidores locales, compañías que dan servicio y distribuidores de partes para reparación. Los técnicos designados por Jenn-Air están entrenados para cumplir con la garantía del producto y ofrecer servicio una vez que la garantía termine, en cualquier lugar de los Estados Unidos.

Para localizar a una compañía de servicio designada por Jenn-Air en su área, también puede consultar la sección amarilla de su guía telefónica.

Para obtener asistencia adicional

Si necesita asistencia adicional, puede escribir a Jenn-Air con sus preguntas o dudas a:

Jenn-Air Brand Home Appliances
Customer eXperience Center
553 Benson Road
Benton Harbor, MI 49022-2692

Por favor incluya en su correspondencia un número de teléfono en el que se le pueda localizar durante el día.

En Canadá

Llame al Centro para la eXperiencia del cliente de Jenn-Air en Canadá sin costo alguno al: **1-800-JENNAIR (1-800-536-6247)**.

Nuestros consultores ofrecen ayuda para:

- Características y especificaciones de nuestra línea completa de electrodomésticos.
- Procedimiento para el uso y mantenimiento.
- Venta de accesorios y partes para reparación.
- Recomendaciones con distribuidores locales, compañías que dan servicio y distribuidores de partes para reparación. Los técnicos designados por Jenn-Air Canada están entrenados para cumplir con la garantía del producto y ofrecer servicio una vez que la garantía termine, en cualquier lugar de Canadá.

Para obtener asistencia adicional

Si necesita asistencia adicional, puede escribir a Jenn-Air Canada con sus preguntas o dudas a:

Jenn-Air Canada
Customer eXperience Centre
200 – 6750 Century Ave.
Mississauga, Ontario L5N 0B7

Por favor incluya en su correspondencia un número de teléfono en el que se le pueda localizar durante el día.

GARANTÍA DEL REFRIGERADOR JENN-AIR®

GARANTÍA LIMITADA DURANTE EL PRIMER AÑO

Durante un año a partir de la fecha de compra, siempre y cuando este electrodoméstico principal haya sido instalado, operado y mantenido según las instrucciones adjuntas o provistas con el producto, la marca Jenn-Air de Whirlpool Corporation o Whirlpool Canada LP (en lo sucesivo denominada "Jenn-Air") pagará por las piezas de repuesto especificadas de fábrica y los costos de mano de obra para corregir defectos en los materiales o la fabricación, existentes en el momento de la compra de este electrodoméstico principal.

GARANTÍA LIMITADA DEL SEGUNDO AL QUINTO AÑO EN EL REVESTIMIENTO DE LA CAVIDAD Y EL SISTEMA DE REFRIGERACIÓN SELLADO

Desde el segundo al quinto año desde la fecha de compra original, siempre y cuando este electrodoméstico principal haya sido instalado, operado y mantenido de acuerdo con las instrucciones adjuntas o provistas con el producto, la marca Jenn-Air pagará por las piezas especificadas de fábrica y el costo de la mano de obra de las siguientes piezas para corregir defectos no estéticos en los materiales y en la mano de obra de esta pieza que impide el funcionamiento del refrigerador y que existiera al momento de la compra de este electrodoméstico principal:

- Revestimiento de la cavidad del refrigerador/congelador si la pieza se rompe debido a defectos de material o de mano de obra.
- Sistema de refrigeración sellado (entre ellos, el compresor, evaporador, condensador, secador y tuberías de conexión).

SU ÚNICO Y EXCLUSIVO RECURSO SEGÚN LOS TÉRMINOS DE LA GARANTÍA LIMITADA SERÁ EL DE REPARAR EL PRODUCTO SEGÚN SE ESTIPULA EN LA PRESENTE. El servicio deberá ser suministrado por una compañía designada de servicio de Jenn-Air. Esta garantía limitada es válida en los Estados Unidos o en Canadá y se aplica solamente cuando el electrodoméstico principal se use en el país en el que se ha comprado. Esta garantía limitada entrará en vigor a partir de la fecha de la compra del consumidor original. Se requiere una prueba de la fecha de compra original para obtener servicio bajo esta garantía limitada.

EXCLUSIONES DE LA GARANTÍA

Esta garantía limitada no cubre:

1. Piezas de repuesto o mano de obra si este electrodoméstico principal se usa de un modo diferente al doméstico normal de una familia, o cuando se use de un modo contrario a las instrucciones publicadas para el usuario u operador y/o las instrucciones de instalación.
2. Visitas de servicio técnico para corregir la instalación de su electrodoméstico principal, para enseñarle a usar su electrodoméstico principal, para cambiar o reparar fusibles domésticos o para corregir la instalación eléctrica o de la tubería de la casa.
3. Visitas de servicio técnico para reparar o reemplazar focos para electrodomésticos, filtros de aire o filtros de agua. Las piezas de consumo están excluidas de la cobertura de la garantía.
4. Daños causados por accidente, alteración, uso indebido, abuso, incendio, inundación, actos fortuitos, instalación incorrecta, instalación que no esté de acuerdo con los códigos eléctricos o de plomería, o el empleo de productos no aprobados por Jenn-Air.
5. Daños estéticos, incluyendo rayaduras, abolladuras, desportilladuras u otro daño al acabado de su electrodoméstico principal, a menos que el mismo sea debido a defectos en los materiales o la mano de obra y se le informe a Jenn-Air en un lapso de 30 días a partir de la fecha de compra.
6. Cualquier pérdida de comida o medicamentos debido a fallas del refrigerador o del congelador.
7. Recogida y entrega. Este electrodoméstico principal se ha destinado para ser reparado en el hogar.
8. Reparaciones de piezas o sistemas como resultado de modificaciones no autorizadas que se hayan efectuado en el electrodoméstico.
9. Gastos de viaje y transporte para obtener servicio para el producto, si su electrodoméstico principal está ubicado en un lugar remoto en el cual no haya disponible un técnico de servicio autorizado por Jenn-Air.
10. La remoción y reinstalación de su electrodoméstico principal, si estuviera instalado en un lugar inaccesible o si no estuviera instalado de conformidad con las instrucciones de instalación publicadas por Jenn-Air.
11. Piezas de repuesto o mano de obra en electrodomésticos principales con números de modelo/serie originales que se hayan removido, alterado o que no puedan ser identificados con facilidad.
12. Decoloración, herrumbre u oxidación de las superficies de acero inoxidable.

El costo de la reparación o el reemplazo bajo estas circunstancias excluidas, correrá por cuenta del cliente.

EXCLUSIÓN DE GARANTÍAS IMPLÍCITAS

LAS GARANTÍAS IMPLÍCITAS, INCLUYENDO CUALQUIER GARANTÍA IMPLÍCITA DE COMERCIABILIDAD O GARANTÍA IMPLÍCITA DE CAPACIDAD PARA UN PROPÓSITO PARTICULAR, SERÁN LIMITADAS A UN AÑO O AL PERÍODO MÁS CORTO PERMITIDO POR LEY. Algunos estados y provincias no permiten la limitación de la duración de garantías implícitas de comerciabilidad o aptitud, de modo que la limitación arriba indicada quizás no le corresponda. Esta garantía le otorga derechos legales específicos, y es posible que usted tenga también otros derechos que varían de un estado a otro o de una provincia a otra.

DESCARGO DE RESPONSABILIDAD DE DECLARACIONES FUERA DE LA GARANTÍA

Jenn-Air no hace ninguna declaración acerca de la calidad, durabilidad o necesidad de servicio o reparación de este electrodoméstico principal aparte de las declaraciones incluidas en esta Garantía. Si desea una garantía más larga o más amplia que la garantía limitada que se incluye con este electrodoméstico principal, deberá consultar a Jenn-Air o a su vendedor minorista acerca de la compra de una garantía ampliada.

LIMITACIÓN DE RECURSOS; EXCLUSIÓN DE DAÑOS INCIDENTALES O CONSECUENTES

SU ÚNICO Y EXCLUSIVO RECURSO SEGÚN LOS TÉRMINOS DE ESTA GARANTÍA LIMITADA SERÁ EL DE REPARAR EL PRODUCTO SEGÚN SE ESTIPULA EN LA PRESENTE. JENN-AIR NO SE RESPONSABILIZARÁ POR DAÑOS INCIDENTALES O CONSECUENTES. Algunos estados y provincias no permiten la exclusión o limitación de daños incidentales o consecuentes, de modo que estas limitaciones y exclusiones quizás no le correspondan. Esta garantía le otorga derechos legales específicos, y es posible que usted tenga también otros derechos que varían de un estado a otro o de una provincia a otra.

Si usted se encuentra fuera de los cincuenta Estados Unidos y Canadá, póngase en contacto con su distribuidor autorizado de Jenn-Air para determinar si corresponde otra garantía.

Si considera que necesita servicio de reparación, consulte primero la sección "Solución de problemas" del Manual de uso y cuidado. Si no ha podido resolver el problema después de consultar la sección "Solución de problemas", puede encontrar ayuda adicional en la sección "Ayuda o servicio técnico," o llámonos al **1-800-JENNAIR (1-800-536-6247)**. 4/13

Guarde este libro y su comprobante de compra juntos para referencia futura. Usted deberá proporcionar el comprobante de la compra o una fecha de instalación para obtener servicio bajo la garantía.

Escriba la siguiente información acerca de su electrodoméstico principal para ayudarle mejor a obtener asistencia o servicio técnico si alguna vez llegara a necesitarlo. Deberá tener a mano el número completo del modelo y de la serie. Usted puede encontrar esta información en la etiqueta con el número de modelo y de serie ubicada en el producto.

Nombre del distribuidor _____

Dirección _____

Número de teléfono _____

Número de modelo _____

Número de serie _____

Fecha de compra _____

SÉCURITÉ DE LA CAVE À VIN

Votre sécurité et celle des autres est très importante.

Nous donnons de nombreux messages de sécurité importants dans ce manuel et sur votre appareil ménager. Assurez-vous de toujours lire tous les messages de sécurité et de vous y conformer.



Voici le symbole d'alerte de sécurité.

Ce symbole d'alerte de sécurité vous signale les dangers potentiels de décès et de blessures graves à vous et à d'autres.

Tous les messages de sécurité suivront le symbole d'alerte de sécurité et le mot "DANGER" ou "AVERTISSEMENT". Ces mots signifient :

⚠ DANGER

Risque possible de décès ou de blessure grave si vous ne suivez pas immédiatement les instructions.

⚠ AVERTISSEMENT

Risque possible de décès ou de blessure grave si vous ne suivez pas les instructions.

Tous les messages de sécurité vous diront quel est le danger potentiel et vous disent comment réduire le risque de blessure et ce qui peut se produire en cas de non-respect des instructions.

IMPORTANTES INSTRUCTIONS DE SÉCURITÉ

AVERTISSEMENT : Pour réduire les risques d'incendie, de choc électrique ou des blessures lors de l'utilisation de la cave à vin, prendre quelques précautions fondamentales, y compris les suivantes :

- Brancher l'appareil sur une prise à 3 alvéoles reliée à la terre.
- Ne pas enlever la broche de liaison à la terre.
- Ne pas utiliser un adaptateur.
- Ne pas utiliser un câble de rallonge.
- Débrancher la source de courant électrique avant l'entretien.
- Replacer pièces et panneaux avant de faire la remise en marche.
- Enlever les portes de votre vieille cave à vin.
- Utiliser un produit de nettoyage ininflammable.
- Garder les matériaux et les vapeurs inflammables, telle que l'essence, loin de la cave à vin.
- Utiliser deux ou plus de personnes pour déplacer et installer la cave à vin.

CONSERVEZ CES INSTRUCTIONS

Avertissements de la proposition 65 de l'État de Californie :

AVERTISSEMENT : Ce produit contient au moins un produit chimique connu par l'État de Californie pour être à l'origine de cancers.

AVERTISSEMENT : Ce produit contient au moins un produit chimique connu par l'État de Californie pour être à l'origine de malformations et autres déficiences de naissance.

Mise au rebut de votre vieille cave à vin

⚠ AVERTISSEMENT

Risque de suffoquer

Enlever la porte de votre vieille cave à vin.

Le non-respect de cette instruction peut causer un décès ou des lésions cérébrales.

IMPORTANT : L'emprisonnement et l'étouffement des enfants ne sont pas un problème du passé. Les caves à vin jetées ou abandonnées sont encore dangereuses, même si elles sont laissées abandonnées pendant "quelques jours seulement". Si vous vous débarrassez de votre vieille cave à vin, veuillez suivre les instructions suivantes pour aider à éviter les accidents.

Avant de jeter votre vieille cave à vin :

- Enlever la porte.
- Laisser les tablettes en place de sorte que les enfants ne puissent pas y pénétrer facilement.



Renseignements importants à propos de la mise au rebut des fluides réfrigérants :

Mettre le réfrigérateur au rebut conformément à la réglementation fédérale et locale. Les fluides réfrigérants doivent être évacués par un technicien certifié et agréé par l'EPA conformément aux procédures établies.

EXIGENCES D'INSTALLATION

Outillage et pièces

Rassembler les outils et pièces nécessaires avant de commencer l'installation.

OUTILLAGE NÉCESSAIRE :

- Tournevis Phillips

PIÈCES NÉCESSAIRES :

Cadre décoratif personnalisé - Voir "Cadre décoratif - vue arrière".
Quincaillerie (facultatif)

PIÈCES FOURNIES :

- Vis à bois M4 x 14 mm (12)

Exigences d'emplacement

⚠ AVERTISSEMENT



Risque d'explosion

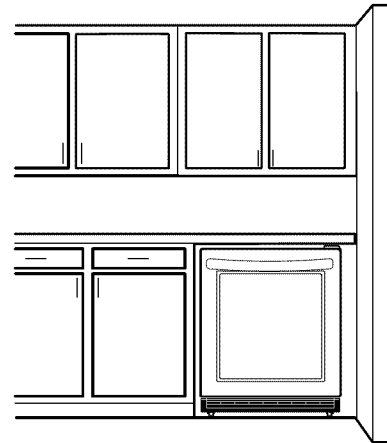
Garder les matériaux et les vapeurs inflammables, telle que l'essence, loin de la cave à vin.

Le non-respect de cette instruction peut causer un décès, une explosion ou un incendie.

REMARQUES :

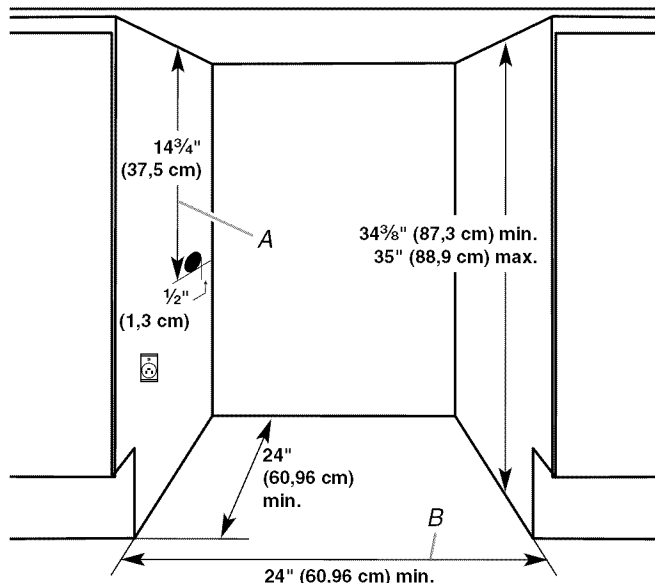
- Pour que la cave à vins affleure la face avant des meubles inférieurs, enlever les éventuelles moulures et plinthes au fond de l'ouverture. Voir "Dimensions du produit" et, plus bas dans cette section, "Dimensions de l'ouverture".

- Il est conseillé de ne pas installer la cave à vins près d'un four, d'un radiateur ou de toute autre source de chaleur.
- Ne pas installer l'appareil en un endroit où la température pourrait descendre en dessous de 55°F (13°C). Pour un fonctionnement optimal, ne pas installer la cave à vins derrière la porte d'un meuble et ne pas obstruer la grille inférieure.



Dimensions de l'ouverture

- Les dimensions de hauteur sont illustrées avec les pieds de nivellement déployés à la hauteur minimum.
REMARQUE : Lorsque les pieds de nivellement sont totalement déployés, ajouter $\frac{5}{8}$ " (15,9 mm) à la hauteur totale. Voir "Dimensions du produit".
- Si le plancher de l'ouverture n'est pas au même niveau que le plancher de la cuisine, placer une cale dans l'ouverture pour qu'elle soit au même niveau que le plancher de la cuisine.



Dimensions critiques :

A. Trou pour les raccordements - $14\frac{3}{4}$ " (37,5 cm)

B. Largeur de l'ouverture - 24 " (60,96 cm) min.

Spécifications électriques

⚠ AVERTISSEMENT



Risque de choc électrique

Brancher sur une prise à 3 alvéoles reliée à la terre.

Ne pas enlever la broche de liaison à la terre.

Ne pas utiliser un adaptateur.

Ne pas utiliser un câble de rallonge.

Le non-respect de ces instructions peut causer un décès, un incendie ou un choc électrique.

Avant de placer la cave à vin à son emplacement final, il est important de vous assurer d'avoir la connexion électrique appropriée.

Méthode recommandée de mise à la terre

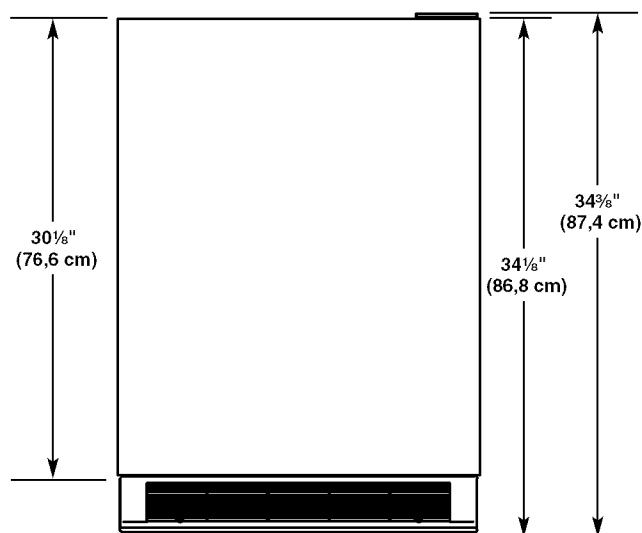
Une source d'alimentation de 115 volts, 60 Hz, type 15 ou 20 ampères CA seulement, protégée par fusibles et adéquatement mise à la terre est nécessaire. Il est recommandé d'utiliser un circuit distinct pour alimenter uniquement votre cave à vin. Utiliser une prise murale qui ne peut pas être mise hors circuit à l'aide d'un commutateur. Ne pas utiliser un câble de rallonge.

REMARQUE : Avant d'exécuter tout type d'installation, nettoyage ou remplacement d'une ampoule d'éclairage, débrancher la cave à vin ou déconnecter la source de courant électrique.

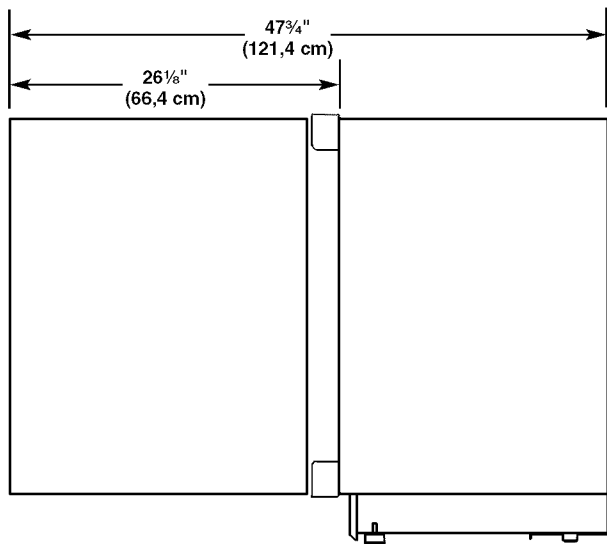
Dimensions du produit

- Les hauteurs indiquées correspondent aux dimensions lorsque les pieds de nivellement NE SONT PAS déployés.
- La longueur du cordon d'alimentation est de 60 " (152,4 cm).

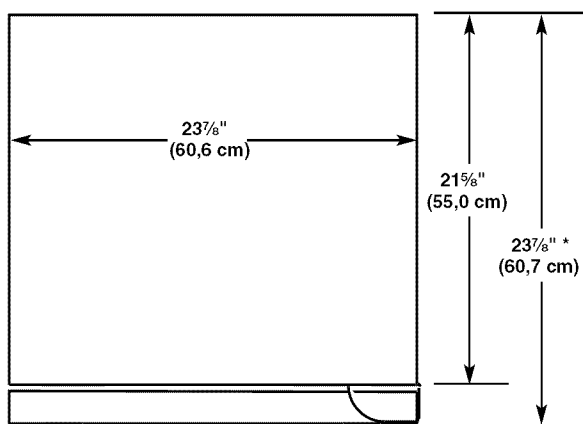
Vue de face



Vue latérale (porte ouverte à 90°)



Vue de dessus



* Cette dimension inclut l'épaisseur de 3/4" du panneau de porte personnalisé

Cadre décoratif personnalisé

Pour l'installation d'un cadre décoratif personnalisé, l'installateur devra créer lui-même le cadre ou consulter un ébéniste ou menuisier qualifié. Voir le dessin des dimensions pour les spécifications du cadre.

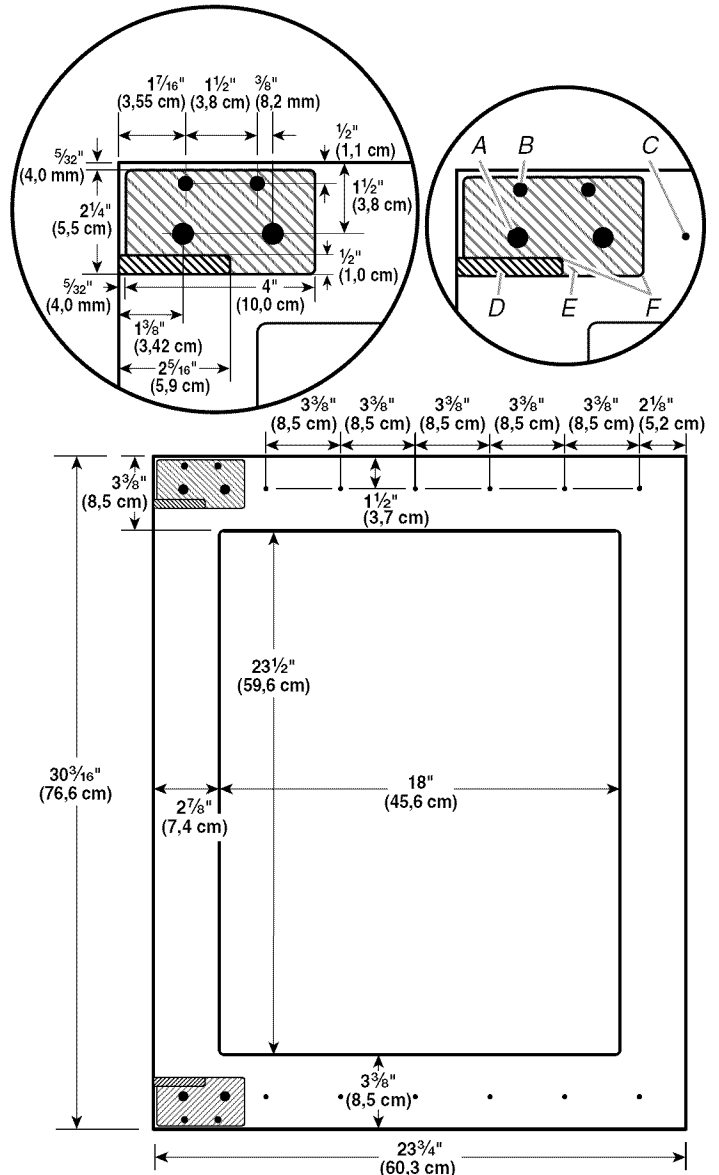
IMPORTANT :

- L'épaisseur du cadre décoratif doit être de 3/4" (1,91 cm).
- Le poids du cadre décoratif ne doit pas dépasser 10 lb (4,54 kg).
- Un cadre décoratif de poids supérieur à la limite recommandée risque d'endommager l'appareil.

Cadre décoratif - vue arrière

Créer le cadre décoratif personnalisé en fonction des dimensions indiquées.

IMPORTANT : L'image suivante illustre un cadre personnalisé d'une porte dont les charnières sont montées à droite. Si les charnières de votre cave à vins sont montées à gauche, tourner le cadre personnalisé de 180° pour que les repères de charnière se trouvent à gauche.



- Percer les trous à l'aide d'un foret de 15/32" (12 mm) jusqu'à une profondeur d'environ 1/2" (13 mm) avant toupillage. (4 trous au total)
- Percer les trous à l'aide d'un foret de 5/16" (8 mm) jusqu'à une profondeur d'environ 1/2" (13 mm) avant toupillage. (4 trous au total)
- Percer les trous à l'aide d'un foret de 7/64" (2.8 mm) jusqu'à une profondeur d'environ 1/2" (13 mm) avant toupillage. (12 trous au total)
- Toupiller les parties grisées relatives aux charnières jusqu'à une profondeur de 19/32" (15 mm).
- Toupiller les parties grisées relatives aux charnières jusqu'à une profondeur de 1/4" (4 mm).
- Rayon de courbure de 1/8" (3 mm) à l'aide d'un outil de 1/4". (5 rayons au total)

INSTRUCTIONS D'INSTALLATION

Déballage de la cave à vin

AVERTISSEMENT

Risque du poids excessif

Utiliser deux ou plus de personnes pour déplacer et installer la cave à vin.

Le non-respect de cette instruction peut causer une blessure au dos ou d'autre blessure.

Enlèvement des matériaux d'emballage

- Enlever le ruban adhésif et la colle des surfaces de la cave à vin avant de la mettre en marche. Frotter une petite quantité de savon liquide pour la vaisselle sur l'adhésif avec les doigts. Rincer à l'eau tiède et essuyer.
- Ne pas utiliser d'instruments coupants, d'alcool à friction, de liquides inflammables ou de nettoyants abrasifs pour enlever le ruban adhésif ou la colle. Ces produits peuvent endommager la surface de votre cave à vin. Pour plus de renseignements, voir "Sécurité de la cave à vin".
- Jeter ou recycler tous les matériaux d'emballage.

Déplacement de votre cave à vin :

Votre cave à vin est lourde. Lors du déplacement de la cave à vin pour le nettoyage ou le service, veiller à recouvrir le plancher avec du carton ou un panneau de fibre dur pour éviter qu'il ne subisse tout dommage. Toujours tirer la cave à vin tout droit lors du déplacement. Ne pas incliner la cave à vin d'un côté ou de l'autre ni la "faire marcher" en essayant de la déplacer car le plancher pourrait être endommagé.

Nettoyage avant l'utilisation

Après avoir enlevé tous les matériaux d'emballage, nettoyer l'intérieur de la cave à vin avant de l'utiliser. Voir les instructions de nettoyage dans "Entretien de la cave à vin".

Inversion du sens d'ouverture de la porte (facultatif)

Les charnières de portes ont été installées à l'usine sur le côté droit de l'appareil. Pour ouvrir la porte du côté opposé, il faut inverser le sens d'ouverture de la porte.

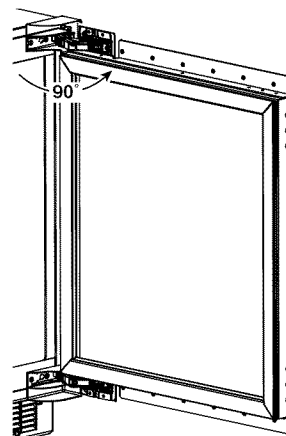
IMPORTANT : Pour éviter toute tension sur les charnières, il est recommandé que deux personnes retirent la porte.

Outils nécessaires : Tournevis Phillips et clé à tête hexagonale de 1/8".

Dépose de la porte

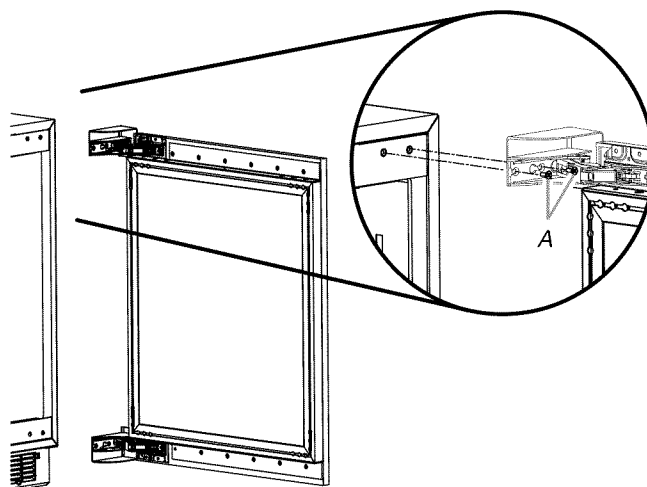
1. Débrancher ou couper l'alimentation électrique et retirer les articles qui pourraient se trouver à l'intérieur.

2. Ouvrir complètement la porte à 90°.

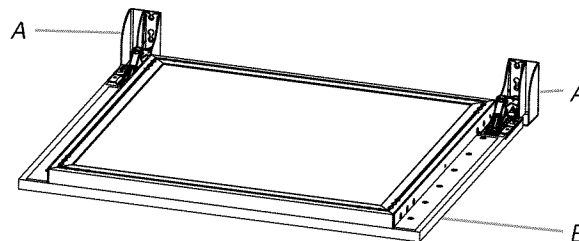


3. Pendant qu'une personne soutient la porte, retirer les vis de fixation des charnières placées en haut et en bas de la caisse.

REMARQUE : Une fois les vis retirées et la porte dégagée de la caisse, une baguette d'espacement en plastique située derrière la charnière inférieure se détache. Mettre la baguette de côté. Il faudra l'utiliser lors du remontage de la porte.



4. Retirer la porte de la caisse et la coucher sur une surface plane pour éviter d'endommager les couvre-charnières.



A. Couvre-charnière

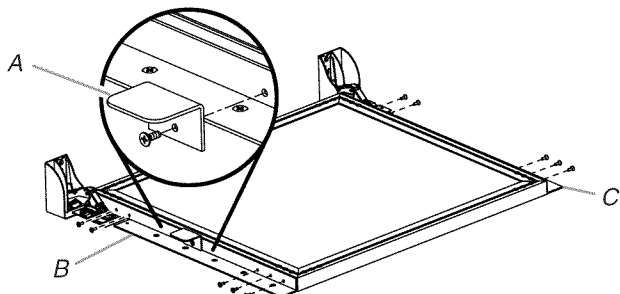
B. Cadre de porte décoratif personnalisé

5. Replacer les vis dans les trous restants après avoir retiré les charnières de la caisse.
6. Si un panneau en bois décoratif a été installé, retirer le panneau. Voir "Installation du cadre décoratif personnalisé".

Inversion du sens d'ouverture de la porte

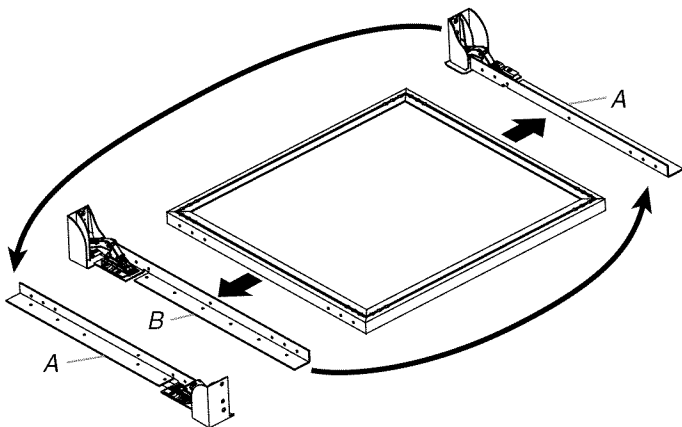
1. Retirer les vis de fixation des pièces métalliques noires en L en haut et en bas de la porte.
2. Retirer la vis de fixation de la plaque métallique de l'interrupteur de la lampe au milieu de la pièce en L inférieure. Retirer la plaque de l'interrupteur de la lampe.

REMARQUE : La plaque de l'interrupteur de la lampe est fixée avec une vis et un ruban adhésif. Tirer avec un peu de force pour la séparer de la pièce en L.



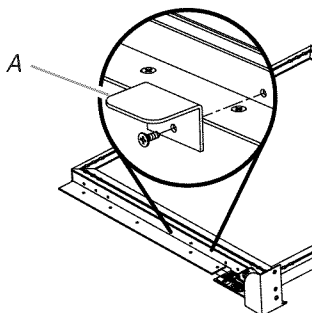
A. Plaque de l'interrupteur de la lampe
B. Pièce en L inférieure
C. Pièce en L supérieure

3. Retirer les deux pièces métalliques en L de la porte en repérant bien celle qui était placée en haut et celle qui était placée en bas.
4. Placer les pièces en L sur l'autre rive de la porte en plaçant maintenant les charnières du côté gauche (en regardant l'avant de la porte).



A. Pièce en L inférieure
B. Pièce en L supérieure

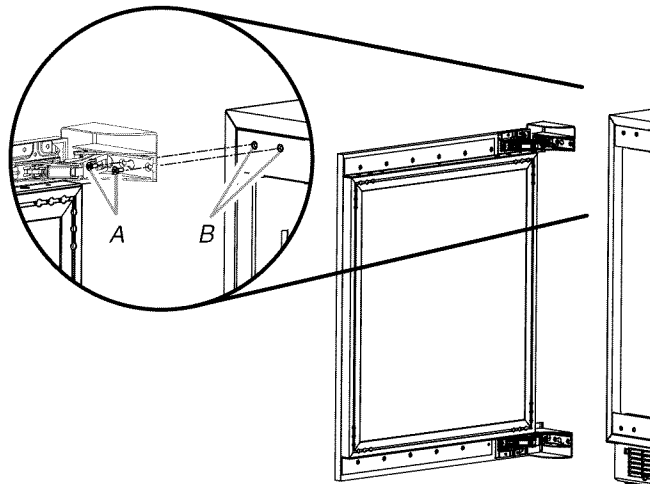
5. En utilisant les vis qui ont été retirées à l'étape 1, réinstaller les pièces en L sur la porte à leurs nouvelles positions.
6. En utilisant la vis qui a été retirée à l'étape 2 et le ruban adhésif fourni dans le kit d'installation de la porte, réinstaller la plaque de l'interrupteur de la lampe sur le bas de la porte.



7. Réinstaller le panneau décoratif s'il avait été retiré précédemment. Voir "Installation du cadre décoratif personnalisé".

Réinstallation de la porte

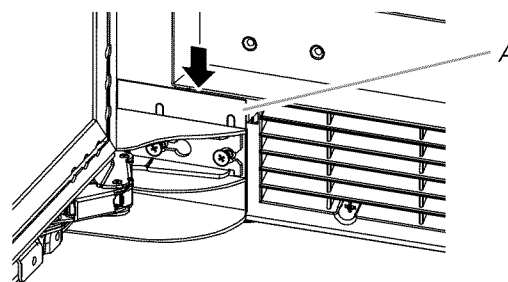
1. Vérifier que les couvre-charnières sont toujours fixés aux pièces en L.
2. Retirer les vis du haut et du bas du côté opposé de la caisse.
3. Aligner les trous des charnières avec les trous de la caisse.



A. Vis de charnière retirées à l'étape 2
B. Trous dans la caisse

4. À l'aide des vis retirées à l'étape 2, installer la porte sur le côté gauche de la caisse mais sans la serrer.
5. À partir de la charnière inférieure uniquement, insérer la baguette d'espacement en plastique entre la charnière inférieure et la caisse en orientant les encoches de la baguette vers le bas.

REMARQUE : Les vis s'insèrent dans les encoches de la baguette.



A. Baguette en plastique inférieure

6. Bien serrer les vis.

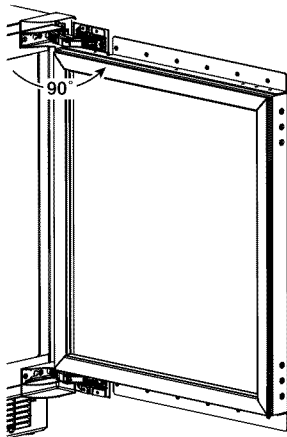
Installation du cadre décoratif personnalisé

IMPORTANT :

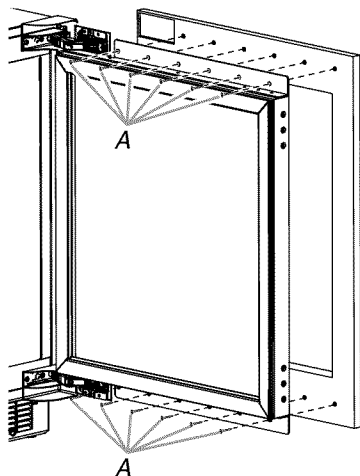
- Réaliser le cadre décoratif personnalisé selon les spécifications de la section "Cadre décoratif personnalisé".
- Jenn-Air n'est pas responsable des opérations de dépose et d'installation de moulures ou panneaux décoratifs qui entraveraient l'accès à l'appareil lors d'une intervention d'entretien ou de réparation.

Installation du cadre personnalisé

1. Ouvrir complètement la porte à 90°.

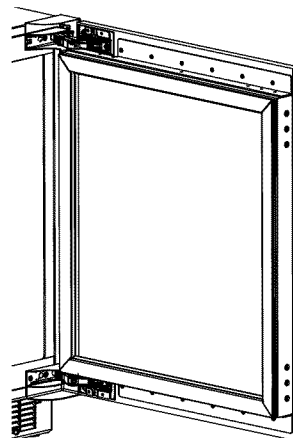


2. Avec l'aide d'une autre personne, tenir le cadre en bois pour faire correspondre les trous du cadre avec les trous situés en haut et en bas de la porte. Puis, fixer le cadre personnalisé à la porte avec six vis à bois en haut et six vis à bois en bas.



A. Vis à bois M4 x 14 mm

3. Vérifier que le cadre personnalisé est aligné avec la porte et visser complètement les douze vis jusqu'au bout.



Fermeture de la porte

Fermeture de la porte

La cave à vin dispose de quatre pieds de réglage de l'aplomb. Si la cave à vin semble instable ou si vous désirez que la porte se ferme plus facilement, ajuster l'inclinaison de la cave à vin en observant les instructions ci-dessous.

⚠ AVERTISSEMENT



Risque de choc électrique

Brancher sur une prise à 3 alvéoles reliée à la terre.

Ne pas enlever la broche de liaison à la terre.

Ne pas utiliser un adaptateur.

Ne pas utiliser un câble de rallonge.

Le non-respect de ces instructions peut causer un décès, un incendie ou un choc électrique.

1. Brancher sur une prise à 3 alvéoles reliée à la terre.

⚠ AVERTISSEMENT

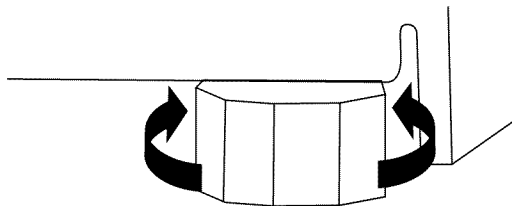
Risque du poids excessif

Utiliser deux ou plus de personnes pour déplacer et installer la cave à vin.

Le non-respect de cette instruction peut causer une blessure au dos ou d'autre blessure.

2. Déplacer la cave à vin à sa position finale.
3. Tourner les pieds de réglage de l'aplomb vers la droite pour abaisser la cave à vin ou tourner les pieds de réglage de l'aplomb vers la gauche pour la soulever. Il peut être nécessaire de tourner les pieds de réglage de l'aplomb plusieurs fois pour ajuster l'inclinaison de la cave à vin.

REMARQUE : Si une autre personne pousse le haut de la cave à vin, le poids devient moins lourd sur les pieds de réglage de l'aplomb, ce qui rend plus facile l'ajustement des pieds de réglage de l'aplomb.



- Ouvrir la porte et s'assurer qu'elle ferme comme vous le désirez. Sinon, incliner la cave à vin un peu plus vers l'arrière en tournant les deux pieds de réglage de l'aplomb avant vers la droite. Plusieurs tours peuvent être nécessaires et il convient de tourner les deux pieds de réglage de l'aplomb de façon égale.

UTILISATION DE LA CAVE À VIN

Sons normaux

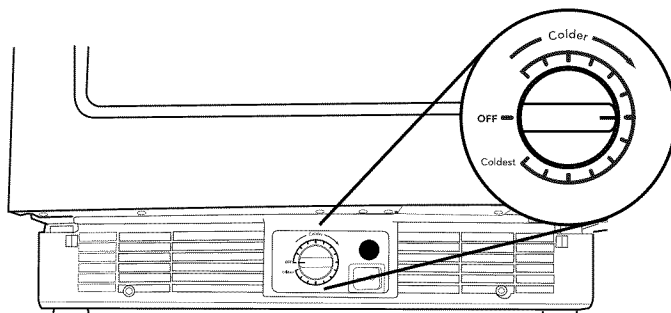
Il est possible que la cave à vin neuve émette des sons que l'appareil précédent ne produisait pas. Comme ces sons sont nouveaux, ils peuvent vous inquiéter. La plupart de ces nouveaux sons sont normaux. Les sons peuvent vous sembler plus forts avec des surfaces dures telles que le plancher et les structures adjacentes. Les descriptions suivantes indiquent les genres de sons et leur cause possible.

- Votre cave à vin est conçue pour fonctionner plus efficacement afin de conserver le vin aux températures désirées et pour minimiser la consommation d'énergie. Le compresseur et les ventilateurs à haute efficacité peuvent faire fonctionner votre cave à vin plus longtemps que l'ancienne. Il se peut également que vous entendiez un bruit saccadé ou aigu provenant du compresseur ou des ventilateurs qui s'ajustent pour optimiser la performance.
- Des vibrations sonores peuvent provenir de l'écoulement du réfrigérant ou d'articles placés dans la cave à vin.
- À la fin de chaque programme, vous pouvez entendre un gargouillement attribuable au réfrigérant qui se trouve dans votre cave à vin.
- Vous pouvez entendre l'écoulement de l'eau dans le plateau de récupération lorsque la cave à vin dégivre.
- Vous pouvez entendre des déclics lorsque la cave à vin se met en marche ou s'arrête.

Utilisation de la commande

La commande se trouve derrière la grille de la base. Soulever la porte au centre de la grille pour accéder à la commande.

Pour votre commodité, la commande de la cave à vin est pré-réglée à l'usine. Lors de l'installation initiale de la cave à vin, s'assurer que la commande est encore pré-réglée au réglage moyen tel qu'illustré.



Ajustement des commandes

Les réglages moyens indiqués à la section précédente devraient convenir pour une utilisation normale de la cave à vin. La commande est réglée correctement lorsque les boissons sont à la température idéale.

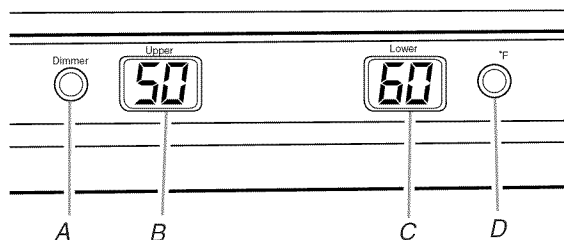
S'il est nécessaire d'ajuster la température, attendre au moins 24 heures entre chaque ajustement puis révéifier la température.

Pour rendre la cave à vin plus froide, ajuster la commande au réglage plus élevé suivant. Pour rendre la cave à vin moins froide, ajuster la commande au réglage plus bas suivant.

REMARQUE : Lorsqu'on utilise la commande de température, la température augmente ou diminue à la fois dans la zone inférieure (compartiment inférieur) et dans la zone supérieure (compartiment supérieur).

Délimiteur de température (affichage de la température)

Le délimiteur de température affiche les températures actuelles (Fahrenheit ou Celsius) pour les zones (compartiments) supérieure et inférieure de la cave à vin. Pour ajuster les réglages de température, voir "Ajustement des commandes" plus tôt dans cette section.



- A. Variateur
- B. Affichage de la zone supérieure
- C. Affichage de la zone inférieure
- D. Fahrenheit/Celsius

Conservation du vin - zones recommandées

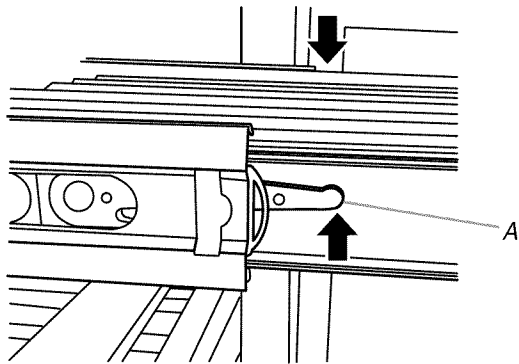
Pour connaître les températures optimales pour la conservation et le service du vin, utiliser le réglage de température recommandé par le fabricant du vin. Consulter l'étiquette du vin pour des détails. En cas de conservation du vin pour une courte période (quelques mois), la température recommandée est de 55°F (13°C).

VINS	ZONES
Vin blanc	Zone supérieure
Vin rosé	Zone inférieure
Vin rouge	Zone inférieure

Grilles pour le remisage du vin

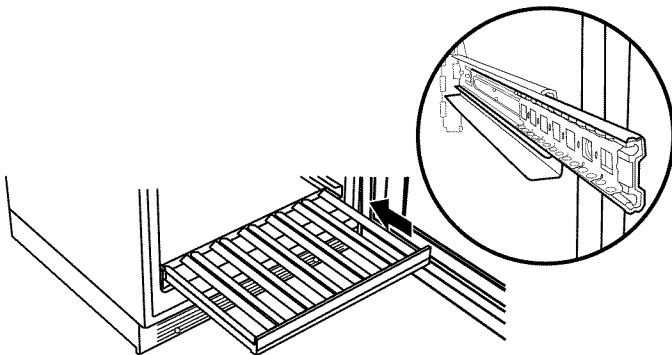
Pour enlever et réinstaller les grilles intermédiaire et supérieure

1. Tirer la grille vers l'avant jusqu'à la butée.
2. Relever la manette de gauche tout en appuyant sur la manette de droite pour libérer le casier. Tirer la grille vers l'avant et la soulever pour la sortir de ses supports.



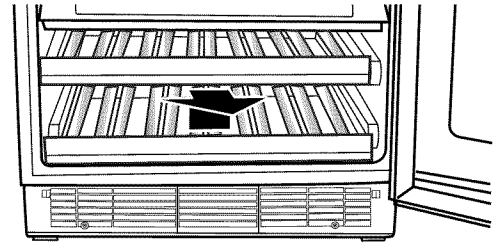
A. Manette

3. Réinstaller la grille en l'insérant dans les supports et en la faisant glisser vers l'arrière de la cave à vin.



Dépose et remise en place de la grille inférieure

1. Soulever la grille (à l'avant et à l'arrière) vers le haut et tirer tout droit pour la retirer.



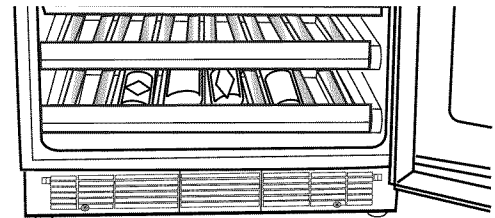
2. Replacer la grille en la poussant en ligne droite vers l'arrière et au-dessus de la butée. Continuer de pousser la grille en ligne droite vers l'arrière jusqu'à ce qu'elle soit en place.

Stockage dans la cave à vin

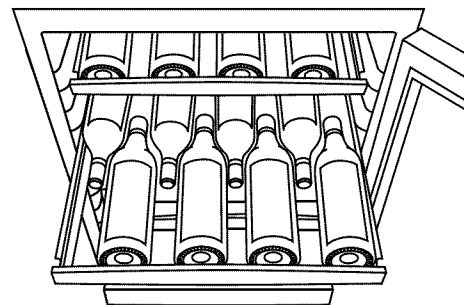
REMARQUE : Pour une conservation optimale du vin, placer les vins blancs dans la partie supérieure de la cave à vin, les vins rosés au centre et les vins rouges dans la partie inférieure.

Stockage dans la cave à vin

1. Débuter le stockage dans la cave à vin par le présentoir du bas.
2. En commençant par le côté gauche, placer la première bouteille dans le bas du casier, le goulot de la bouteille vers l'avant de la cave à vin.
3. Placer la bouteille suivante à côté, le goulot de la bouteille vers l'arrière de la cave à vin. Alternier ainsi l'orientation des bouteilles jusqu'à ce que le casier soit plein.



4. Insérer le casier inférieur (le faire glisser) et tirer le casier suivant vers l'extérieur.
5. Continuer à insérer les casiers suivants un à un tel que décrit dans les étapes ci-dessus.



Éclairage de la cave à vin

La cave à vin possède une lampe intérieure qui s'allume chaque fois que la porte est ouverte. On peut aussi laisser la lumière allumée en permanence en appuyant sur le côté gauche du commutateur situé près de la commande de température, sur la grille de la base.

REMARQUES :

- La température de la cave à vin augmente légèrement si la lumière est laissée allumée pendant une période prolongée.
- La lampe est une DEL qui ne doit pas être remplacée par l'utilisateur. Si la DEL ne s'allume pas quand on ouvre la porte, appeler le service de dépannage pour faire changer la lampe. Voir "Assistance ou service" pour savoir qui contacter.

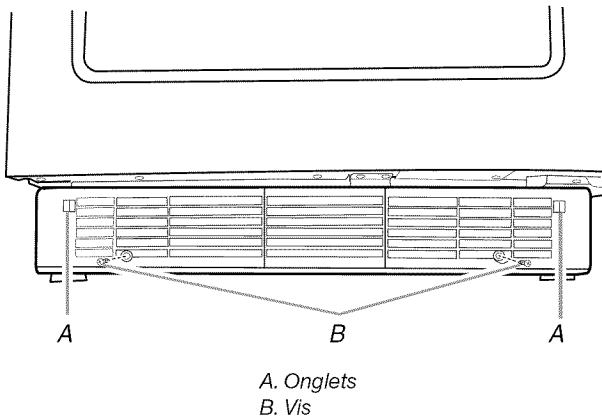
ENTRETIEN DE LA CAVE À VIN

Grille de la base

L'utilisateur doit retirer la grille de la base pour pouvoir accéder aux serpentins du condenseur lors du nettoyage.

Dépose de la grille de la base :

1. Ouvrir la porte de la cave à vin.
2. À l'aide d'un tournevis Phillips, ôter les deux vis. Pousser les deux onglets vers le centre pour dégager la grille de la base de la cave à vin.



3. Retirer la grille de la base.

Réinstallation de la grille de la base :

1. Ouvrir la porte de la cave à vin.
2. Positionner la grille de la base de façon à ce que les onglets soient alignés et que la grille de la base s'emboîte. Réinstaller les deux vis. Serrer les vis.

Nettoyage

AVERTISSEMENT



Risque d'explosion

Utiliser un produit de nettoyage ininflammable.

Le non-respect de cette instruction peut causer un décès, une explosion ou un incendie.

Nettoyer la cave à vin environ une fois par mois pour empêcher une accumulation d'odeurs. Essuyer les renversements immédiatement.

Nettoyage de la cave à vin :

1. Débrancher la cave à vin ou déconnecter la source de courant électrique.
2. Retirer tous les casiers de l'intérieur de la cave à vin.
3. Laver à la main, rincer et sécher les pièces amovibles et les surfaces internes à fond. Utiliser une éponge propre ou un linge doux et un détergent doux dans de l'eau tiède.
 - Afin d'éviter d'endommager les tiges en bois et les garnitures, les essuyer avec une éponge propre ou un chiffon doux et de l'eau tiède. Ne pas utiliser de détergent ni immerger le casier tout entier dans l'eau lors du nettoyage.
 - Ne pas utiliser de nettoyants forts ou abrasifs tels que les nettoyants à vitre en atomiseurs, nettoyants à récurer, liquides inflammables, cires nettoyantes, détergents concentrés, produits de blanchiment ou nettoyants contenant du pétrole sur les pièces en plastique, les garnitures intérieures et de portes ou les joints de portes. Ne pas utiliser d'essuie-tout, tampons à récurer ou autres outils de nettoyage puissants. Ces produits risquent d'égratigner ou d'endommager les matériaux.
 - Pour aider à éliminer les odeurs, on peut laver les parois intérieures avec un mélange d'eau tiède et de bicarbonate de soude (2 c. à soupe pour 1 pinte [26 g pour 0,95 L] d'eau).
4. Laver les surfaces extérieures peintes ou en acier inoxydable avec une éponge propre ou un linge doux et un détergent doux dans de l'eau tiède. Ne pas utiliser de produits de nettoyage forts ou abrasifs, ni de nettoyants à base de chlore. Ces produits risquent d'égratigner ou d'endommager les matériaux. Sécher parfaitement avec un linge doux.

REMARQUE : Pour que votre cave à vin en acier inoxydable conserve son aspect neuf et pour enlever les petites égratignures ou marques, il est suggéré d'utiliser le nettoyant et poli pour acier inoxydable approuvé par le fabricant. Pour commander le nettoyant, voir "Accessoires".

IMPORTANT : Ce nettoyant doit être utilisé sur les pièces en acier inoxydable uniquement!

Veiller à ce que le nettoyant et poli pour acier inoxydable n'entre pas en contact avec les pièces de plastique telles que garnitures, couvercles de distributeurs ou joints de porte. En cas de contact non intentionnel, nettoyer la pièce de plastique avec une éponge et un détergent doux et de l'eau tiède. Sécher parfaitement avec un linge doux.

5. Remettre les casiers en place.

- Nettoyer régulièrement les serpentins du condenseur. Ils sont situés derrière la grille de la base. Il se peut que les serpentins aient besoin d'être nettoyés tous les deux mois. Ce nettoyage peut aider à économiser de l'énergie.
 - Enlever la grille de la base. Voir "Grille de la base".
 - Employer un aspirateur avec un accessoire long pour nettoyer les serpentins du condenseur lorsqu'ils sont sales ou poussiéreux.
 - Réinstaller la grille de la base.

- Brancher la cave à vin ou reconnecter la source de courant électrique.

Précautions à prendre pour les vacances et avant un déménagement

Vacances

Si vous choisissez d'arrêter la cave à vin avant de partir, suivre ces étapes.

- Enlever toutes les bouteilles de la cave à vin.
- Débrancher la cave à vin.
- Nettoyer la cave à vin. Voir "Nettoyage".
- À l'aide de ruban adhésif, placer un bloc de caoutchouc ou de bois dans la partie supérieure de la porte de façon à ce qu'elle soit suffisamment ouverte pour permettre l'entrée de l'air à l'intérieur, afin d'éviter l'accumulation d'odeur ou de moisissure.

Déménagement

En cas de déménagement et de déplacement de la cave à vin dans une nouvelle habitation, suivre ces étapes pour préparer le déménagement.

- Enlever toutes les bouteilles de la cave à vin.
- Débrancher la cave à vin.
- Nettoyer, essuyer et sécher à fond.
- Retirer toutes les pièces amovibles, bien les envelopper et les attacher ensemble à l'aide de ruban adhésif pour qu'elles ne bougent pas ni ne s'entrechoquent durant le déménagement.
- Fermer les portes à l'aide de ruban adhésif et fixer le cordon d'alimentation à la cave à vin.

Lorsque vous arriverez à votre nouvelle habitation, remettre tout en place et consulter la section "Instructions d'installation" pour les instructions de préparation.

DÉPANNAGE

Essayer les solutions suggérées ici d'abord afin d'éviter le coût d'une visite de service non nécessaire.

Votre cave à vin ne fonctionne pas

AVERTISSEMENT



Risque de choc électrique

Brancher sur une prise à 3 alvéoles reliée à la terre.

Ne pas enlever la broche de liaison à la terre.

Ne pas utiliser un adaptateur.

Ne pas utiliser un câble de rallonge.

Le non-respect de ces instructions peut causer un décès, un incendie ou un choc électrique.

- Le cordon d'alimentation électrique est-il débranché?** Brancher sur une prise à 3 alvéoles reliée à la terre.
- Un fusible est-il grillé ou le disjoncteur s'est-il déclenché?** Remplacer le fusible ou réenclencher le disjoncteur.
- La commande de la cave à vin est-elle réglée à la position OFF (arrêt)?** Voir "Utilisation de la commande".

Le moteur semble fonctionner excessivement

- La température ambiante est-elle plus élevée que d'habitude?** Prévoir que le moteur fonctionnera plus longtemps dans des conditions de chaleur. Pour des températures extérieures normales, prévoir que le moteur fonctionne à peu près 40 % à 80 % du temps. Dans des conditions plus chaudes, prévoir un fonctionnement encore plus fréquent.
- La porte est-elle ouverte fréquemment?** Prévoir que le moteur fonctionnera plus longtemps dans ce cas. Afin de conserver de l'énergie, essayer de sortir de la cave à vin tout ce dont vous avez besoin en une fois, garder les bouteilles de vin avec l'étiquette orientée vers le haut de sorte qu'elles soient faciles à trouver et fermer la porte dès que le vin a été retiré.
- Le réglage est-il correct pour les conditions existantes?** Voir "Utilisation de la commande".
- La porte est-elle bien fermée?** Pousser la porte pour qu'elle soit bien fermée. Si elle ne ferme pas complètement, voir "La porte ne ferme pas complètement" plus loin dans cette section.
- Les serpentins du condenseur sont-ils sales?** Cette situation fait obstruction au transfert de l'air et fait travailler davantage le moteur. Nettoyer les serpentins du condenseur. Voir "Nettoyage".

La température est trop élevée

- **La porte est-elle ouverte fréquemment?** Prévoir que la cave à vin deviendra tiède dans ce cas. Pour garder la cave à vin froide, essayer de sortir de la cave à vin tout ce dont vous avez besoin en une fois, garder les bouteilles de vin avec l'étiquette orientée vers le haut de sorte qu'elles soient faciles à trouver et fermer la porte dès que le vin a été retiré.
- **Le réglage est-il correct pour les conditions existantes?** Voir "Utilisation de la commande".
- **La grille de la base est-elle obstruée?** Pour le meilleur rendement, ne pas installer la cave à vin derrière une porte de placard ni bloquer la grille de la base.

Il existe une accumulation d'humidité à l'intérieur

- **La porte est-elle ouverte fréquemment?** Pour éviter l'accumulation d'humidité, essayer de sortir de la cave à vin tout ce dont vous avez besoin en une fois, garder les bouteilles de vin avec l'étiquette orientée vers le haut de sorte qu'elles soient faciles à trouver et fermer la porte dès que le vin a été retiré. Lorsque la porte est ouverte, l'humidité de l'air extérieur pénètre dans la cave à vin. Plus la porte est ouverte, plus l'humidité s'accumule rapidement, surtout lorsque la pièce est elle-même déjà très humide.
- **La pièce est-elle humide?** Il est normal que de l'humidité s'accumule à l'intérieur de la cave à vin lorsque l'air est humide.
- **Le réglage de la commande est-il correct pour les conditions existantes?** Voir "Utilisation de la commande".

La porte est difficile à ouvrir

AVERTISSEMENT



Risque d'explosion

Utiliser un produit de nettoyage ininflammable.

Le non-respect de cette instruction peut causer un décès, une explosion ou un incendie.

- **Le joint est-il sale ou collant?** Nettoyer le joint et la surface avec laquelle il est en contact. Frotter en appliquant une fine couche de paraffine sur le joint après le nettoyage.

La porte ne ferme pas complètement

- **Les casiers sont-ils bien en place?** Remettre les casiers à la bonne position. Voir "Utilisation de la cave à vin" pour plus de renseignements.

AVERTISSEMENT



Risque d'explosion

Utiliser un produit de nettoyage ininflammable.

Le non-respect de cette instruction peut causer un décès, une explosion ou un incendie.

- **Le joint colle-t-il?** Nettoyer le joint et la surface avec laquelle il est en contact. Frotter en appliquant une fine couche de paraffine sur le joint après le nettoyage.

ASSISTANCE OU SERVICE

Avant de faire un appel pour assistance ou service, veuillez vérifier "Dépannage". Cette vérification peut vous faire économiser le coût d'une visite de service. Si vous avez encore besoin d'aide, suivez les instructions ci-dessous.

Lors d'un appel, veuillez connaître la date d'achat et les numéros de modèle et de série complets de votre appareil. Ces renseignements nous aideront à mieux répondre à votre demande.

Si vous avez besoin de pièces de rechange

Si vous avez besoin de commander des pièces de rechange, nous vous recommandons d'utiliser seulement les pièces de rechange spécifiées par l'usine. Les pièces de rechange spécifiées par l'usine fonctionneront bien et fonctionneront bien parce qu'elles sont fabriquées selon les mêmes spécifications précises utilisées pour fabriquer chaque nouvel appareil Jenn-Air®.

Pour savoir où trouver des pièces de rechange spécifiées par l'usine dans votre région, nous appelons ou contactons le centre de service désigné le plus proche.

Aux États-Unis

Téléphoner au Centre pour l'eXpérience de la clientèle de Jenn-Air sans frais : **1-800-JENNAIR (1-800-536-6247)**.

Nos consultants fournissent de l'assistance pour :

- Caractéristiques et spécifications de notre gamme complète d'appareils ménagers.
- Renseignements d'installation.
- Procédés d'utilisation et d'entretien.
- Vente d'accessoires et de pièces de rechange.
- Assistance spécialisée au client (langue espagnole, malentendants, malvoyants, etc.).
- Les références aux concessionnaires, compagnies de service de réparation et distributeurs de pièces de rechange locaux. Les techniciens de service désignés par Jenn-Air sont formés pour remplir la garantie des produits et fournir un service après garantie partout aux États-Unis.

Pour localiser la compagnie de service désignée par Jenn-Air dans votre région, vous pouvez également consulter les Pages jaunes.

Pour plus d'assistance

Si vous avez besoin de plus d'assistance, vous pouvez écrire à Jenn-Air en soumettant toute question ou problème à :

Jenn-Air Brand Home Appliances
Customer eXperience Center
553 Benson Road
Benton Harbor, MI 49022-2692

Dans votre correspondance, veuillez indiquer un numéro de téléphone où l'on peut vous joindre dans la journée.

Au Canada

Téléphoner sans frais au Centre pour l'eXpérience de la clientèle de Jenn-Air Canada au : **1-800-JENNAIR (1-800-536-6247)**.

Nos consultants fournissent de l'assistance pour :

- Caractéristiques et spécifications de notre gamme complète d'appareils ménagers.
- Procédés d'utilisation et d'entretien.
- Vente d'accessoires et de pièces de rechange.
- Les références aux concessionnaires, compagnies de service de réparation et distributeurs de pièces de rechange locaux. Les techniciens de service désignés par Jenn-Air Canada sont formés pour remplir la garantie des produits et fournir un service après la garantie, partout au Canada.

Pour plus d'assistance

Si vous avez besoin de plus d'assistance, vous pouvez écrire à Jenn-Air Canada en soumettant toute question ou problème à :

Jenn-Air Canada
Centre pour l'eXpérience de la clientèle
200 – 6750 Century Ave.
Mississauga, Ontario L5N 0B7

Dans votre correspondance, veuillez indiquer un numéro de téléphone où l'on peut vous joindre dans la journée.

GARANTIE DES RÉFRIGÉRATEURS JENN-AIR®

GARANTIE LIMITÉE DURANT LA PREMIÈRE ANNÉE

Pendant un an à compter de la date d'achat, lorsque ce gros appareil ménager est installé, utilisé et entretenu conformément aux instructions jointes au produit ou fournies avec, la marque Jenn-Air de Whirlpool Corporation ou Whirlpool Canada, LP (ci-après désignées "Jenn-Air") paiera pour les pièces de rechange spécifiées par l'usine et pour la main-d'œuvre pour corriger les vices de matériaux ou de fabrication qui existaient déjà lorsque ce gros appareil ménager a été acheté.

GARANTIE LIMITÉE DE LA DEUXIÈME À LA CINQUIÈME ANNÉE SUR LA DOUBLURE DE LA CAVITÉ ET LE SYSTÈME DE RÉFRIGÉRATION SCELLÉ

De la deuxième à la cinquième année inclusivement à compter de la date d'achat initiale, lorsque ce gros appareil ménager est installé, utilisé et entretenu conformément aux instructions jointes au produit ou fournies avec, la marque Jenn-Air paiera pour les pièces de rechange spécifiées par l'usine et la main-d'œuvre concernant les composants suivants pour corriger les défauts non esthétiques de matériau ou de fabrication de ladite pièce qui empêchent le réfrigérateur de fonctionner et qui étaient déjà présents lorsque ce gros appareil ménager a été acheté :

- Doublure de la cavité du réfrigérateur/congélateur si la pièce se fissure en raison d'un vice de matériau ou de fabrication.
- Système de réfrigération scellé (y compris le compresseur, l'évaporateur, le condenseur, le séchoir et les conduits de connexion).

LE SEUL ET EXCLUSIF RECOURS DU CLIENT DANS LE CADRE DE LA PRÉSENTE GARANTIE LIMITÉE CONSISTE EN LA RÉPARATION PRÉVUE PAR LA PRÉSENTE. Le service doit être fourni par une compagnie de service désignée par Jenn-Air. Cette garantie limitée est valide uniquement aux États-Unis ou au Canada et s'applique exclusivement lorsque le gros appareil ménager concerné est utilisé dans le pays où il a été acheté. La présente garantie limitée est valable à compter de la date d'achat initial par le consommateur. Une preuve de la date d'achat initial est exigée pour obtenir un service dans le cadre de la présente garantie limitée.

ÉLÉMENTS EXCLUS DE LA GARANTIE

La présente garantie limitée ne couvre pas :

1. Les pièces de rechange ou la main-d'œuvre lorsque ce gros appareil ménager est utilisé à des fins autres que l'usage domestique unifamilial normal ou lorsque les instructions d'installation et/ou les instructions de l'opérateur ou de l'utilisateur fournies ne sont pas respectées.
2. Les visites de service pour rectifier l'installation du gros appareil ménager, montrer à l'utilisateur comment utiliser le gros appareil ménager, remplacer ou réparer des fusibles du domicile ou rectifier le câblage ou la plomberie du domicile.
3. Les visites de service pour réparer ou remplacer les ampoules électriques, les filtres à air ou les filtres à eau de l'appareil. Les pièces consommables ne sont pas couvertes par la garantie.
4. Les dommages imputables à : accident, modification, usage impropre ou abusif, incendie, inondation, actes de Dieu, installation fautive ou installation non conforme aux codes d'électricité ou de plomberie, ou l'utilisation de produits non approuvés par Jenn-Air.
5. Les défauts d'apparence, notamment les éraflures, traces de choc, fissures ou tout autre dommage subi par le fini du gros appareil ménager, à moins que ces dommages ne résultent de vices de matériaux ou de fabrication et ne soient signalés à Jenn-Air dans les 30 jours suivant la date d'achat.
6. Toute perte d'aliments ou de médicaments due à une défaillance du réfrigérateur ou du congélateur.
7. Le ramassage et la livraison. Ce gros appareil ménager est conçu pour être réparé à domicile.
8. Les réparations aux pièces ou systèmes résultant d'une modification non autorisée faite à l'appareil.
9. Les frais de déplacement et de transport pour une intervention de dépannage sur le produit si votre gros appareil est situé dans une région éloignée où aucune société de dépannage autorisée par Jenn-Air n'est disponible.
10. La dépose et la réinstallation de votre gros appareil ménager si celui-ci est installé dans un endroit inaccessible ou n'est pas installé conformément aux instructions d'installation fournies par Jenn-Air.
11. Les pièces de rechange ou la main-d'œuvre pour les gros appareils ménagers dont les numéros de modèle/de série ont été enlevés, modifiés ou ne peuvent pas être facilement identifiés.
12. La décoloration ou l'oxydation des surfaces en acier inoxydable ou encore l'apparition de rouille sur ces surfaces.

Le coût d'une réparation ou d'un remplacement dans le cadre de ces circonstances exclues est à la charge du client.

CLAUSE D'EXONÉRATION DE RESPONSABILITÉ AU TITRE DES GARANTIES IMPLICITES

LES GARANTIES IMPLICITES, Y COMPRIS LES GARANTIES APPLICABLES DE QUALITÉ MARCHANDE OU D'APTITUDE À UN USAGE PARTICULIER, SONT LIMITÉES À UN AN OU À LA PLUS COURTE PÉRIODE AUTORISÉE PAR LA LOI. Certains États et provinces ne permettent pas de limitation sur la durée des garanties implicites de qualité marchande ou d'aptitude à un usage particulier, de sorte que la limitation ci-dessus peut ne pas être applicable dans votre cas. Cette garantie vous confère des droits juridiques spécifiques et vous pouvez également jouir d'autres droits qui peuvent varier d'une juridiction à l'autre.

EXONÉRATION DE RESPONSABILITÉ DANS LES DOMAINES NON COUVERTS PAR LA GARANTIE

Jenn-Air décline toute responsabilité au titre de la qualité, de la durabilité ou en cas de dépannage ou de réparation nécessaire sur ce gros appareil ménager autre que les responsabilités énoncées dans la présente garantie. Si vous souhaitez une garantie plus étendue ou plus complète que la garantie limitée fournie avec ce gros appareil ménager, adressez-vous à Jenn-Air ou à votre détaillant pour obtenir les modalités d'achat d'une garantie étendue.

LIMITATION DES RECOURS; EXCLUSION DES DOMMAGES FORTUITS OU INDIRECTS

LE SEUL ET EXCLUSIF RECOURS DU CLIENT DANS LE CADRE DE LA PRÉSENTE GARANTIE LIMITÉE CONSISTE EN LA RÉPARATION PRÉVUE PAR LA PRÉSENTE. JENN-AIR N'ASSUME AUCUNE RESPONSABILITÉ POUR LES DOMMAGES FORTUITS OU INDIRECTS. Certains États et certaines provinces ne permettent pas l'exclusion ou la limitation des dommages fortuits ou indirects, de sorte que ces limitations et exclusions peuvent ne pas être applicables dans votre cas. Cette garantie vous confère des droits juridiques spécifiques et vous pouvez également jouir d'autres droits qui peuvent varier d'une juridiction à l'autre.

Si vous résidez à l'extérieur des 50 États des États-Unis et du Canada, contactez votre marchand Jenn-Air autorisé pour déterminer si une autre garantie s'applique.

Si vous avez besoin d'un service de réparation, voir d'abord la section "Dépannage" du guide d'utilisation et d'entretien. Si vous êtes dans l'incapacité de résoudre le problème après avoir vérifié la section "Dépannage", vous pourrez trouver de l'aide supplémentaire en vérifiant la section "Assistance ou service" ou en nous appelant au **1-800-JENNAIR (1-800-536-6247)**. 4/13

Conservez ce manuel et votre reçu de vente ensemble pour référence ultérieure. Pour le service sous garantie, vous devez présenter un document prouvant la date d'achat ou d'installation.

Inscrivez les renseignements suivants au sujet de votre gros appareil ménager pour mieux vous aider à obtenir assistance ou service en cas de besoin. Vous devez connaître le numéro de modèle et le numéro de série au complet. Vous trouverez ces renseignements sur la plaque signalétique située sur le produit.

Nom du marchand _____

Adresse _____

Numéro de téléphone _____

Numéro de modèle _____

Numéro de série _____

Date d'achat _____