

# OWNER'S MANUAL TOP FREEZER REFRIGERATOR

Please read this manual carefully before operating your set and retain it for future reference.

# MANUAL DE USUARIO REFRIGERADOR CON CONGELADOR SUPERIOR

Lea detenidamente este manual antes de empezar a utilizar el refrigerador y guárdelo como referencia para el futuro.

Model Name/Nombre de Modelo\*\*=color number/número de color  
LTC22350\*\*

# WARRANTY

Visit our web site <http://www.lg.com>

LG Electronics

## LIMITED WARRANTY United States of America

LG Electronics will repair or at its option replace, without charge, your product which proves to be defective in material or workmanship under normal use during the warranty period listed below from the date of original purchase.

This warranty is good only to the original purchaser of the product during the warranty period as long as it is in the U.S. including Alaska, Hawaii, and U.S. Territories.

### LG Refrigerator / Freezer Warranty Period

Product	Parts	Labor
Refrigerator / Freezer	1 year	1 year [In-Home Service (Except Model GR-051)]
Sealed System (Compressor, Condenser, Evaporator)	7 years	1 year [In-Home Service (Except Model GR-051)]

No other express warranty is applicable to this product. THE DURATION OF ANY IMPLIED WARRANTIES, INCLUDING THE IMPLIED WARRANTY OF MERCHANTABILITY, IS LIMITED TO THE DURATION OF THE EXPRESS WARRANTY HEREIN. LG ELECTRONICS SHALL NOT BE LIABLE FOR THE LOSS OF USE OF THE PRODUCT, INCONVENIENCE, LOSS OR ANY OTHER DAMAGES, DIRECT OR CONSEQUENTIAL, ARISING OUT OF THE USE OF OR INABILITY TO USE THIS PRODUCT OR FOR ANY BREACH OF ANY EXPRESS OR IMPLIED WARRANTY, INCLUDING THE IMPLIED WARRANTY OF MERCHANTABILITY APPLICABLE TO THIS PRODUCT.

Some States do not allow the exclusion or limitation of incidental or consequential damages or limitations on how long an implied warranty lasts; so these limitations or exclusions may not apply to you. This warranty gives you specific legal rights and you may also have other rights which vary from state to state.

### THE ABOVE WARRANTY DOES NOT APPLY TO:

1. Service trips to your home to deliver and pickup, install, instruct, or replace house fuses or correct house wiring or plumbing, or correction of unauthorized repairs.
2. Damage to the product caused by accident, pests, fire, floods, or acts of God.
3. Repairs when your LG product is used in other than normal, single-family household use.
4. Damage resulting from accident, alteration, misuse, abuse, or improper installation.
5. Damages caused during and/or after delivery.
6. Display, discount, or refurbished units purchased with scratches, dents, or defects.

Proof of purchase is required and must be provided to LG in order to validate warranty.

Therefore, these costs are paid by the consumer.

If the product is installed outside the normal service area, any cost of transportation involved in the repair of the product, or the replacement of defective parts, shall be borne by the owner.

### CUSTOMER ASSISTANCE NUMBERS:

To obtain Warranty Coverage:	Retain your Bill of Sale to prove date of purchase. A Copy of your Sales Receipt must be submitted at the time warranty service is provided.
To obtain Product or Customer:	Call 1-800-243-0000 (24 hrs a day, 7 days per week, 365 days per year).
Service Assistance:	Press the appropriate menu option, and have your product type (Refrigerator), model number, serial number, and ZIP/Postal Code ready.
To obtain the nearest Authorized Service Center:	Call 1-800-243-0000 (24 hrs a day, 7 days per week, 365 days per year) Press the appropriate option, and have your product type (Refrigerator), model number, serial number, and ZIP/Postal Code ready.

# TABLE OF CONTENTS

<b>Warranty</b>	<b>1-2</b>		
		Refrigerator Shelves	19-20
		Frozen Meat Compartment (Chef Fresh/Snack Pan)	20
<b>English Version</b>	<b>3</b>	Crisper and Vegetable Drawer	20
		Crisper Humidity Control	20
		Fixed Refrigerator Rack	20-21
<b>Spanish Version</b>	<b>31</b>	Door Racks	21
		Dairy Compartment	21
		Can Dispenser	21
<b>Important Safety Instructions</b>	<b>4-5</b>	Vitabox	21
Requirements for Ground Connection	5	Ice Tray	21
<b>Parts and Features</b>	<b>6-8</b>	<b>Refrigerator Care and Cleaning</b>	<b>22-23</b>
		Refrigerator Cleaning	22
		Outside	22
		Inside Walls	22
<b>Refrigerator Installation</b>	<b>9-16</b>	Door Lining & Gaskets	22
Unpacking	9	Plastic Parts (Covers and Panel)	22
Installation	9	Back Cover	22
Installation of Base Grille	9	Replacing Refrigerator Lights	22-23
How to remove and Install the Refrigerator Doors	10-11	Power Interruptions	23
How to reverse and Install the Refrigerator Doors	12-16	When Going on Vacation	23
Closing and Aligning the doors	16	When Moving	23
		<b>About the Automatic Ice Maker</b>	<b>24</b>
<b>Using your Refrigerator</b>	<b>17-21</b>		
Ensuring Proper Air Circulation	17		
Adjusting the Controls	17	<b>Connecting the Water Line</b>	<b>25-27</b>
Adjusting Control Settings	18		
Food Storage Guide	18		
Storing Frozen Food	18-19	<b>Troubleshooting Guide</b>	<b>28-30</b>
Refrigerator Section	19-21		

# IMPORTANT SAFETY INSTRUCTIONS

## SAFETY MESSAGES

This manual contains several important safety notices. Always read and obey all of the following safety messages.



This is the safety alert symbol. This symbol is a warning to potential dangers that could cause death, injury or damage to you, others or the product. All safety messages will follow after this warning symbol and the word "DANGER", "CAUTION" or "WARNING". These words mean:

### DANGER

You may be killed or suffer fatal damage if you do not follow instructions.

### WARNING

You may be killed or seriously injured if you do not follow instructions.

### CAUTION

Indicates a potentially hazardous situation which, if not avoided, may result in minor injury or damage to the product.

All safety messages inform you of potential danger, advise you on how to reduce the risk of injury and tell you what can occur if the instructions are not followed.

## WARNING

**To reduce the risk of fire, electrical shock or personal injury, the following precaution measures should be followed:**

- NEVER disconnect the refrigerator by pulling the power cord, always grip the plug firmly and disconnect it directly from the outlet.
- Immediately repair or replace all faulty or damaged service cables. Do not use cords that have cracks or abrasion damage on the length of the cord or on the plug.
- When moving your refrigerator, take care not to roll over the electrical cord.
- **DO NOT** store or use gasoline or other combustible liquids or vapors in proximity with this or any other electrical appliance.
- **DO NOT** permit children to climb, stand or swing from the doors or shelves of the refrigerator. This can cause serious injury to them and damage to the product.
- Keep your fingers away from areas in which they can become caught, such as the doors, hinges and cabinets. Be careful closing the doors when children are near.
- Unplug the refrigerator before cleaning or repairing. **NOTE:** We strongly recommend that any repair services be performed by a qualified professional.
- Before replacing a burned-out light bulb, unplug the refrigerator or shut down the circuit breaker to avoid contact with a live wire (the bulb could break while being replaced). **NOTE:** Setting the control to the OFF position does not disconnect the power from the light bulb circuit.
- Do not keep bottles in the freezer compartment, they could explode after freezing and cause damage.
- For your safety, this product should be properly grounded. Have a qualified professional check the electrical circuit and outlet to ensure a proper ground connection.
- Read all instructions before utilizing the product. Utilize this product only as explicitly expressed in this guide.
- Once the refrigerator is operating, avoid touching cold surfaces of the freezer with damp or wet hands; the skin could become adhered to these surfaces.
- In refrigerators with an automatic ice dispenser, avoid contact with moving parts of the ejector mechanism or with the heating mechanism that discharges the cubes. **DO NOT** place your fingers or hands in the ice dispenser mechanism while the refrigerator is connected.
- **DO NOT** refreeze foods which have already thawed. The Department of Agriculture of the United States, in your Bulletin of Home and Gardens No. 69 establishes that:  
"..You can refreeze food that has thawed if they contain ice crystals or are cold and below 40 °F (4 °C)".  
"..Ground beef, perishable food or seafood that is discolored or has an unpleasant odor should not be frozen or consumed. Consumption of melted ice cream should also be avoided. If the odor or color of food is questionable, discard it. The food may be dangerous to consume".  
"Partial thawing or refreezing reduces the quality of the food, especially fruit, vegetables and prepared meals. The quality of red meat is less affected than that of other foods. Use refrozen products as soon as possible in order to maintain their quality".

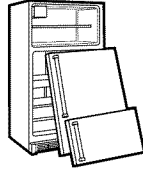
**KEEP THESE INSTRUCTIONS**

## ⚠ CAUTION

This appliance is not intended for use by children, persons with physical or mental disabilities, persons with reduced sensory or mental capacity, or persons that lack experience or know-how, unless they have supervision or instruction in relation to the use of the appliance by the person responsible for their safety. Children should be supervised to assure that they do not play with the appliance.

## ⚠ DANGER: CHILDREN MAY BECOME TRAPPED

Children becoming trapped or suffocated is not a problem of the past. Discarded and abandoned refrigerators are a hazard, even if they remain there "for just a few days". If you would like to dispose of your old refrigerator, please follow the instructions below to prevent any accidents.



### BEFORE DISPOSING YOUR REFRIGERATOR OR FREEZER WHEN NO LONGER IN USE:

- Remove the doors.
- Leave the shelves in place so that children cannot easily become stuck in them.

## CFC DISPOSAL

Your old refrigerator may have a cooling system that uses CFC's (chlorofluorocarbons). CFC affects the stratospheric layer of the ozone.

If you decide to throw out your old refrigerator, ensure that CFC contaminants are properly disposed of by a qualified professional. If you intentionally remove the CFC refrigerant, you could be subject to fines or prison in accordance with environmental legislation in effect.

## REQUIREMENTS FOR GROUND CONNECTION

**IMPORTANT:** Attentively read the following.

### TO CONNECT ELECTRICITY

#### ⚠ WARNING

**ELECTRICAL SHOCK HAZARD**  
FOR YOUR PERSONAL SAFETY, this appliance must be properly grounded. Have a qualified electrician check your wall outlet to ensure that the plug is grounded properly.

It is your responsibility and obligation to replace two-prong outlets with that of an adequately grounded three-prong outlet.

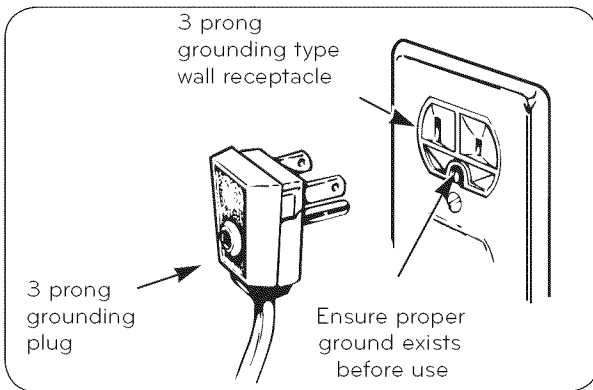
**Do not, under any circumstance, cut or extract the third prong from the plug.**

**NOTE:** Before installation, cleaning or replacing light bulbs, you must disconnect the appliance from the power source. When finished, plug the appliance back in and adjust the thermostat to the desired position.

### USE OF EXTENSION CABLES

**We do not recommend the use of extension cables.** However, if you still choose to utilize an extension cable, it is absolutely necessary that it is listed in the UL (in the United States) or CSA (in Canada), that it supports three-pronged plugs and that the electrical current support a minimum of 15 A and 120 V.

The use of an extension cable will increase the amount of space needed behind the refrigerator.



### RECOMMENDED GROUNDING METHOD

Your refrigerator must always be plugged to its own outlet which is adequately grounded. The energy current should only be 115 V, 60 Hz, A.C. and fused at 15 or 20 A. This provides the best performance and prevents an overload which could cause a fire from the overheating of the cables. It is recommended that a separate circuit be used for this appliance, as well as a receptacle that cannot be disconnected with a switch.

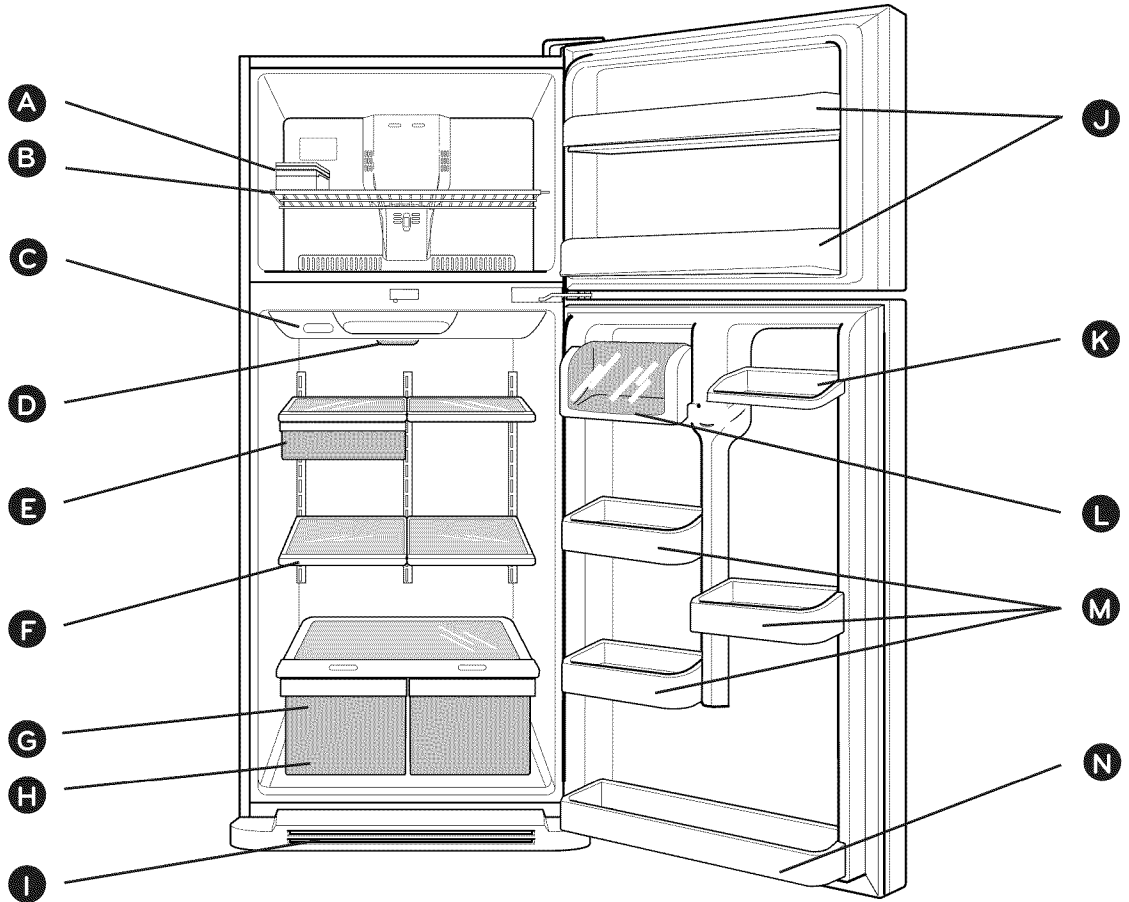
Do not use an extension cable.

#### ⚠ WARNING

### REPLACING ELECTRICAL CABLE

If the power cord is damaged, it must be replaced by our service center or qualified LG technician to avoid any risk.

## PARTS AND FEATURES



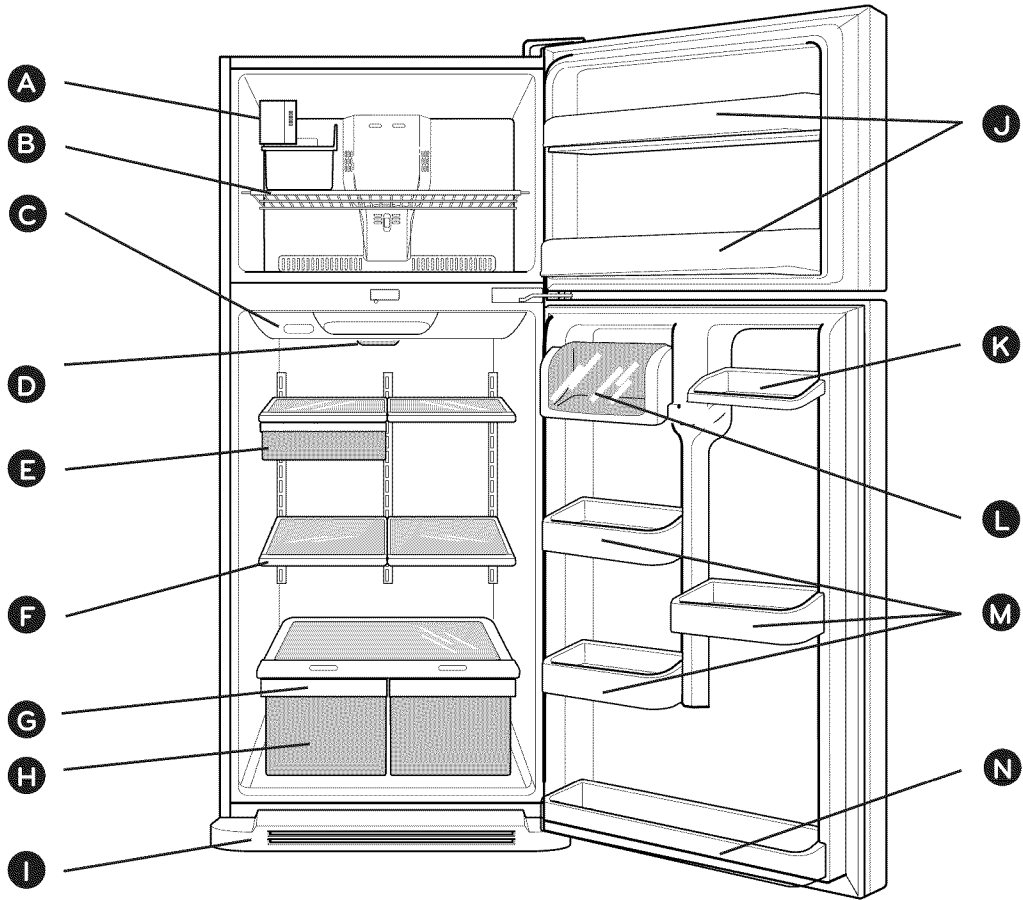
Read this section to familiarize yourself with the parts and features of your new refrigerator.

**NOTE:** This guide covers different models. Your refrigerator could have some or all of the features and parts listed below. The location of some of the parts may not correspond to that of your model.

- |  |                             |
|--|-----------------------------|
| <b>A</b> Ice Bin   | <b>H</b> VitaBox (inside) * |
| <b>B</b> Freezer Shelf   | <b>I</b> Base Grille        |
| <b>C</b> Digital Sensor Control                                | <b>J</b> Freezer Door Racks |
| <b>D</b> Refrigerator Light                                    | <b>K</b> Can Dispenser      |
| <b>E</b> Frozen Meat Compartment<br>(Chef Fresh/Snack Pan)     | <b>L</b> Dairy Compartment  |
| <b>F</b> Shelves   | <b>M</b> Door Racks         |
| <b>G</b> Crisper<br>Keeps fruits and vegetable fresh and crisp | <b>N</b> Fixed Door Rack    |

\* On some models

## PARTS AND FEATURES



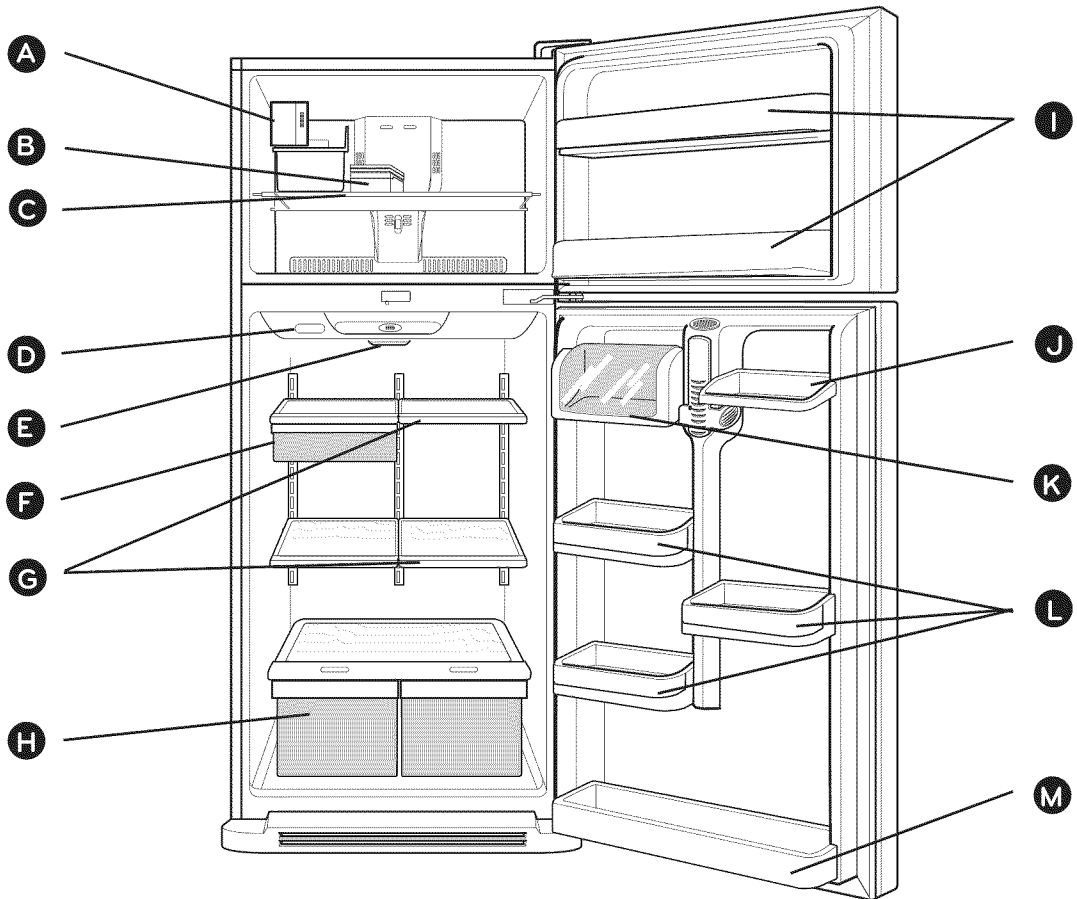
Read this section to familiarize yourself with the parts and features of your new refrigerator.

**NOTE:** This guide covers different models. Your refrigerator could have some or all of the features and parts listed below. The location of some of the parts may not correspond to that of your model.

- |  |                             |
|--|-----------------------------|
| <b>A</b> Ice Maker   | <b>H</b> VitaBox (inside) * |
| <b>B</b> Freezer Shelf   | <b>I</b> Base Grille        |
| <b>C</b> Digital Sensor Control                                | <b>J</b> Freezer Door Racks |
| <b>D</b> Refrigerator Light                                    | <b>K</b> Can Dispenser      |
| <b>E</b> Frozen Meat Compartment<br>(Chef Fresh/Snack Pan)     | <b>L</b> Dairy Compartment  |
| <b>F</b> Shelves   | <b>M</b> Door Racks         |
| <b>G</b> Crisper<br>Keeps fruits and vegetable fresh and crisp | <b>N</b> Fixed Door Rack    |

\* On some models

## PARTS AND FEATURES



Read this section to familiarize yourself with the parts and features of your new refrigerator.

**NOTE:** This guide covers different models. Your refrigerator could have some or all of the features and parts listed below. The location of some of the parts may not correspond to that of your model.

- |  |  |
|--|--|
| <b>A</b> Ice Maker   | <b>H</b> Crisper<br>Keeps fruits and vegetable fresh and crisp |
| <b>B</b> Ice Bin   | <b>I</b> Freezer Door Racks                                    |
| <b>C</b> Freezer Shelf                                     | <b>J</b> Can Dispenser   |
| <b>D</b> Digital Sensor Control                            | <b>K</b> Dairy Compartment                                     |
| <b>E</b> Refrigerator Light                                | <b>L</b> Door Racks  |
| <b>F</b> Frozen Meat Compartment<br>(Chef Fresh/Snack Pan) | <b>M</b> Fixed Door Rack                                       |
| <b>G</b> Shelves   |  |

\* On some models



# REFRIGERATOR INSTALLATION

## ⚠ WARNING

### EXCESSIVE WEIGHT HAZARD

Use the assistance of two or more persons to move or install the refrigerator. Not following these instructions may cause injury to the back and other parts of the body.

## UNPACKING

Before installing your refrigerator, remove any tape or temporary stickers. Do not remove any stickers that feature warnings, the model serial number or the technical label of the product located on the back of the refrigerator.

To remove adhesive tape residue, rub it well with your fingers and a little liquid detergent. Clean with warm water and let dry.

Do not use sharp instruments, rubbing alcohol, flammable liquids or abrasive cleaning products to remove the adhesive tape or glue. These products can damage the surface of your refrigerator. For more information, see the section on "Important Safety Instructions".

The shelves come already installed in their factory position. Remove the shelves and replace them according to your spacing needs.

### Moving Your Refrigerator:

Your refrigerator is extremely heavy. Make sure you protect the floor when moving your refrigerator for cleaning or servicing. Always pull your refrigerator straight out when moving it. Do not shift from side to side or "walk" the refrigerator when attempting to move it as this can cause damage to the floor.

## ⚠ WARNING

### EXPLOSION HAZARD



Keep all flammable materials and vapors (such as gasoline) away from the refrigerator. Not following these instructions may cause death, explosion or fire

## INSTALLATION

1. Avoid placing the unit near heat sources, direct sunlight, or humidity.
2. To avoid vibration, the unit should be leveled. If needed, adjust the leveling screws to compensate for an unlevelled floor. The front should be slightly taller than the rear to ensure that the doors close properly. The leveling screws can easily be turned by slightly tilting the front of the refrigerator, turning the leveling screws clockwise (↻) to raise it and counter-clockwise (↺) to lower it.

3. Install the refrigerator in an area between 55 °F (13 °C) and 110 °F (43 °C). If the surrounding temperature is lower or higher than previously mentioned, it can adversely affect the unit.

⚠ **CAUTION:** Avoid placing the unit near heat sources, direct sunlight or humidity.

## ONCE INSTALLED

1. Carefully clean your refrigerator and remove and dust accumulated during shipping.
2. Install accessories such as the ice bin, door racks, shelves, etc., in their proper places. These are already packed to prevent any possible damage during shipping.
3. Leave your refrigerator on for 2 to 3 hours before storing food inside. Verify that there is a flow of cold air in the freezer compartment to ensure proper cooling. Your refrigerator is now ready for use.

## ⚠ WARNING:

- Take care when working with the hinges, base cover and stops, etc. You may injure yourself.
- DO not place your hands or any tools in the air vents, the base cover or in the bottom of the refrigerator. This may cause injury or electrical shock.

## INSTALLATION OF BASE GRILLE Uninstalling or Replacing the Base Grille

1. Remove the 2 screws from the bottom front part of your refrigerator (see Figure A).
2. Take off the cover.

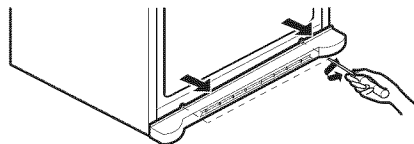


Figure A

## Installing the Base Grille

1. Align the bottom cover and place in position. Insert the 2 screws and twist in place (see Figure B).

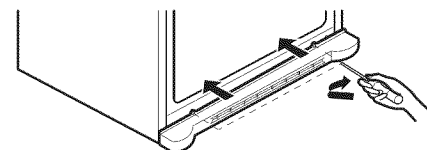
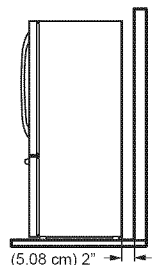


Figure B

## Keep a Proper Distance from Adjacent Objects

Please keep the refrigerator at an adequate distance from other objects. Insufficient spacing can reduce the refrigerator's freezing efficiency and increase electricity consumption.



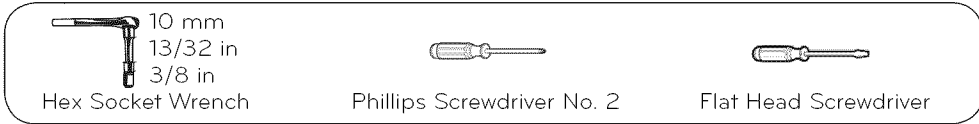
# REFRIGERATOR INSTALLATION

## HOW TO REMOVE AND INSTALL THE REFRIGERATOR DOORS

If entrance is less than 35 inches wide, the refrigerator's door will need to be removed.

**IMPORTANT:** Before starting, turn off and unplug the refrigerator. Remove all food and the racks from the doors.

### TOOLS YOU MIGHT NEED OR USE



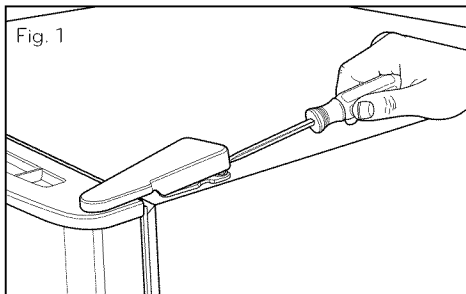
### **⚠ WARNING**

#### **ELECTRICAL SHOCK HAZARD**

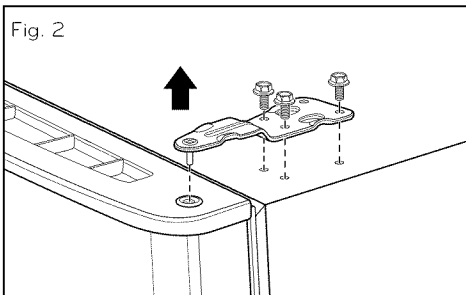
Before you begin, either unplug the refrigerator or turn off the power at the circuit breaker or fuse box. Remove food and any door rack from the refrigerator. Failure to do so could result in death or serious injury.

### 1. Removing Freezer Door

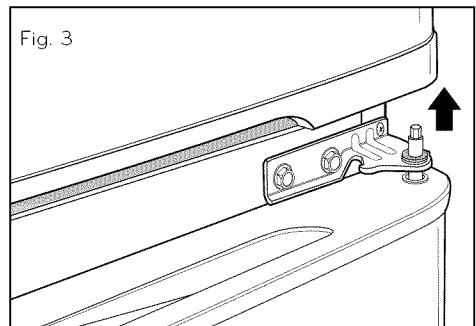
- Gently pry off the Top Hinge Cover with a flat head screwdriver and remove it. See Fig. 1.



- Using 10 mm or 13/32 inch socket wrench, remove the three bolts and lift the Top Hinge (See Fig. 2). Set parts aside.

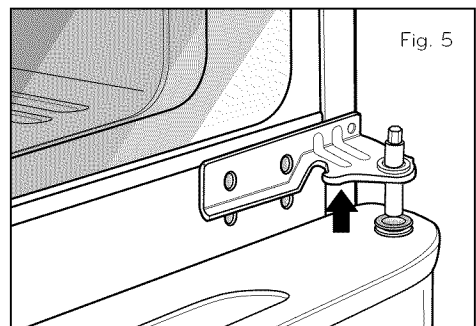
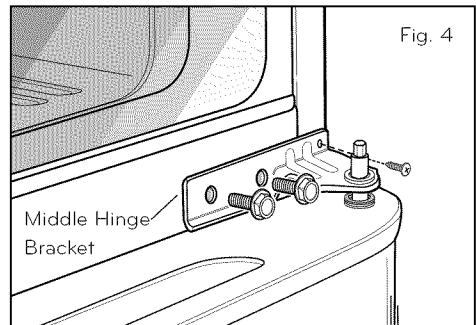


- Lift freezer door slightly and remove it (See Fig. 3) Set parts aside.



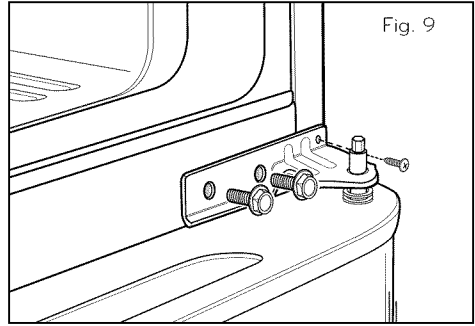
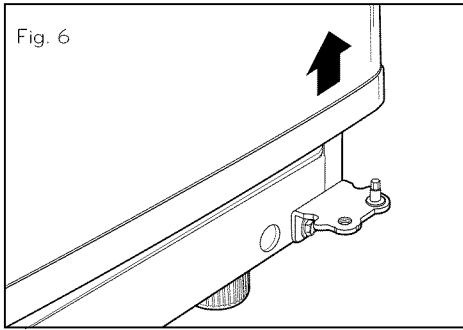
### 2. Removing Refrigerator Door

- Loosen and remove the two bolts and the screw to remove the middle hinge bracket from refrigerator housing (Figure 4). Set parts aside (Figure 5).



- Lift up door slightly and remove it (See Figure 6).

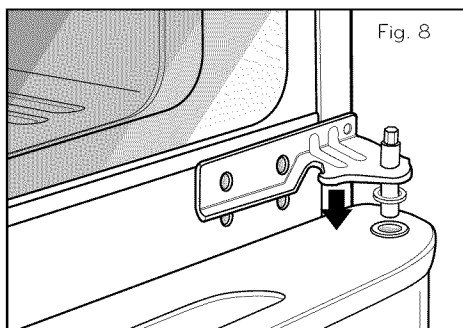
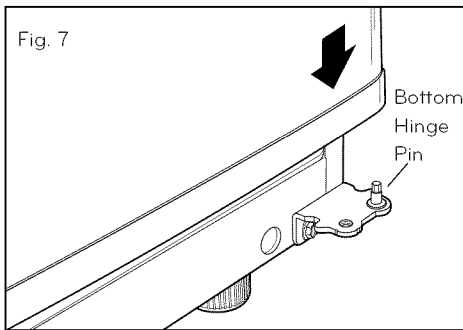
# REFRIGERATOR INSTALLATION



- To replace doors, begin with refrigerator door and then follow with freezer door.

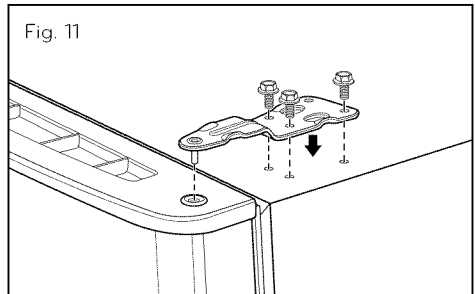
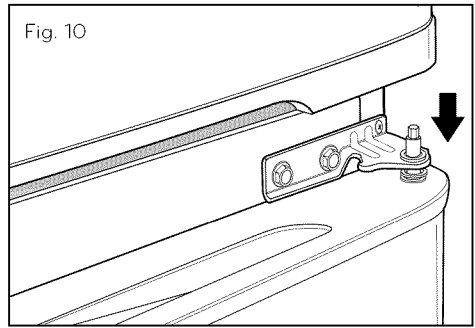
## 3. Replacing Refrigerator Door

- Set door on Bottom Hinge Pin (See Fig. 7).
- Place hinge pin of middle bracket inside the hinge pin insert on the top of the door (See Figure 8). Hold the door in place and line up the hinge with the holes in the refrigerator housing.

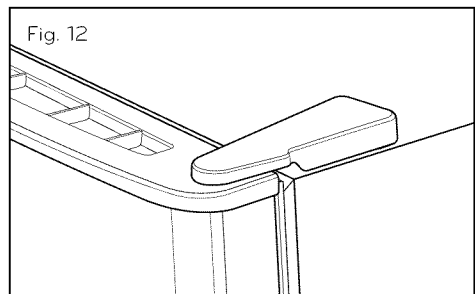


## 4. Replacing Freezer Door

- Set the freezer door onto the Middle Hinge pin (Figure 10).
- Place upper hinge in the top of the freezer door and line up the hinge with the holes in top of refrigerator. Use the three bolts to fasten the hinge (See Figure 11).



- Carefully, force the top hinge cover back into place over hinge (See Figure 12).



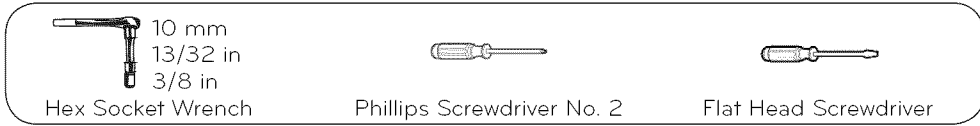
- Use the two bolts and the screw to refasten the middle hinge with the refrigerator housing. See Figure 9.

# REFRIGERATOR INSTALLATION

## HOW TO REVERSE AND INSTALL THE REFRIGERATOR DOORS

You may find it more convenient to have the doors converted from the left opening type (factory installed) to the right opening type. Directions refer to the right side as the side on your right as you face the unit.

### TOOLS YOU MIGHT NEED OR USE



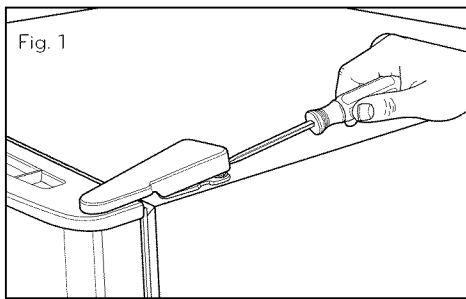
### **⚠ WARNING**

#### **ELECTRICAL SHOCK HAZARD**

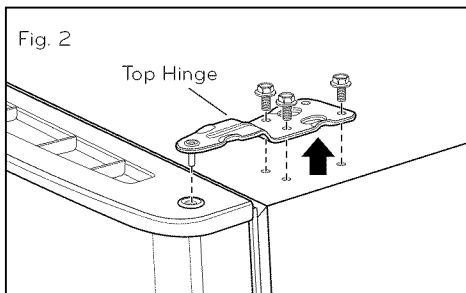
Before you begin, either unplug the refrigerator or turn off the power at the circuit breaker or fuse box. Remove food and any door rack from the refrigerator. Failure to do so could result in death or serious injury.

### 1. Reversing Freezer Door

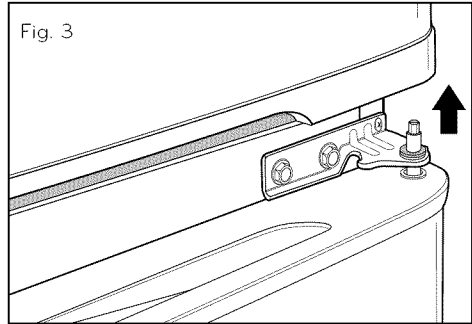
- Gently pry off the top hinge cover with a flat head screwdriver and remove it (See Figure 1).



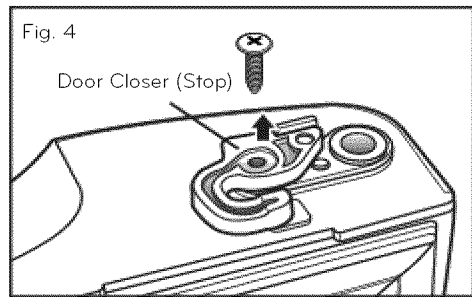
- Using 10 mm or 13/32 inch socket wrench, remove the three bolts and lift off the top hinge (Figure 2). Set parts aside.



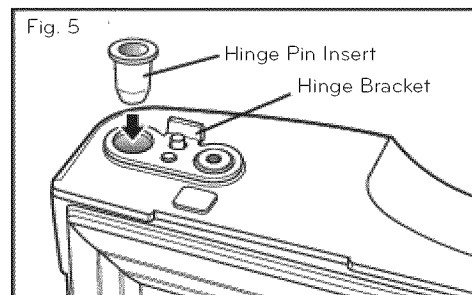
- Lift up door slightly and remove it (See Figure 3).



- Turn freezer door upside down on a non scratch surface and loosen the screw to remove door closer (stop) and hinge pin insert. (Figure 4).

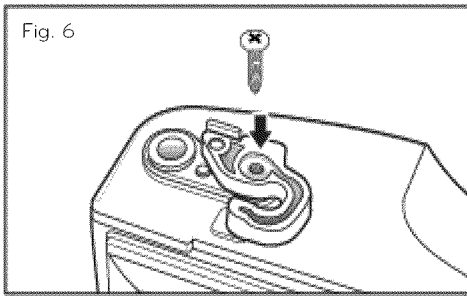


- Move the hinge bracket to the other side of the door (keeping the same orientation) and move the hinge pin insert into the hole on the left side of the bracket (See Figure 5).

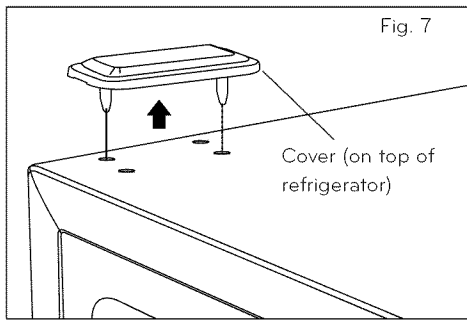


- Reverse door closer (stop) by flipping over (Figure 6), place on top of hinge bracket and tighten both down with the screw.

# REFRIGERATOR INSTALLATION



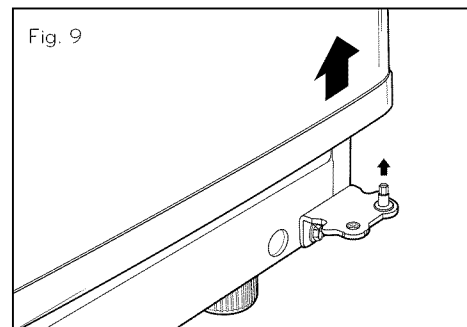
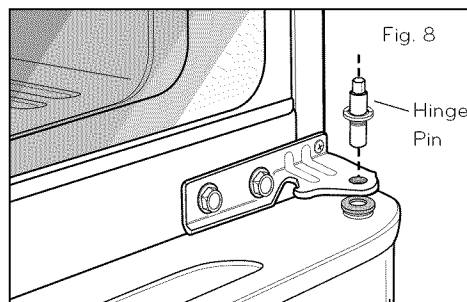
- Pry off cover on top refrigerator on left side to uncover screw holes (See Figure 7).
- Set freezer door and top hinge parts to the side and remove refrigerator door.



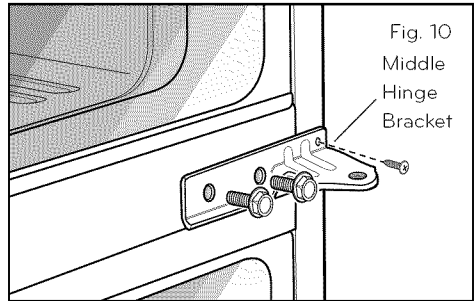
## 2. Reversing and Reinstalling Refrigerator Door

- Using a 1/4 inch socket wrench, loosen and remove hinge pin from the middle hinge bracket. Remove the washer underneath the hinge and set aside (Figure 8).

**NOTE:** At this point, the door will be loose, lift up door slightly and remove it (Figure 9).

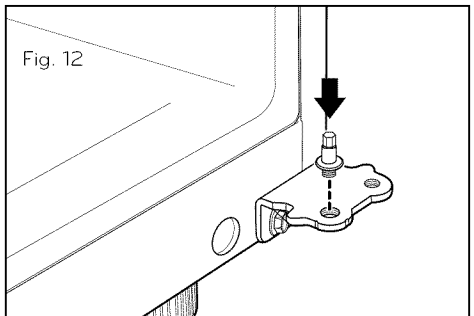
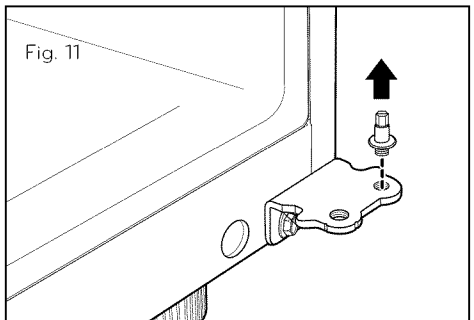


- Loosen and remove the two bolts and the screw to remove the middle hinge bracket from refrigerator housing (See Figure 10). Set parts aside.



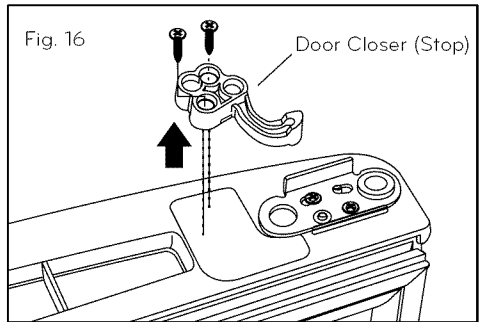
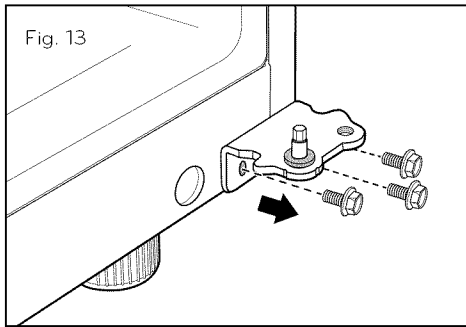
- Remove the Base Grille (See "Installation of Base Grille").
- Remove the washer from the bottom hinge pin. Using a 1/4 inch socket wrench, loosen and remove the hinge pin from the bottom hinge (Fig 11).
- Reattach the hinge pin to the opposite side of the hinge. (See figure 12).

**NOTE:** This is easier to do while the hinge is still attached.



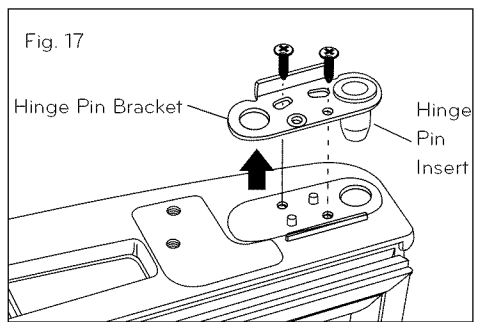
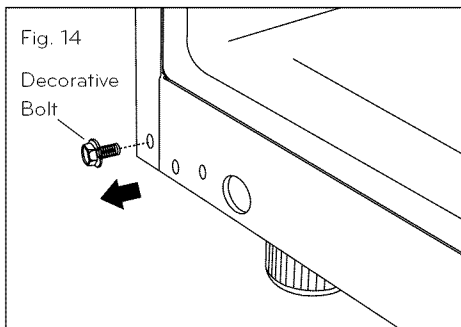
- Using 10 mm or 13/32 inch socket wrench with 2 inch extension, loosen the three bolts and remove the Bottom Hinge from right side of refrigerator housing (Figure 13).

# REFRIGERATOR INSTALLATION



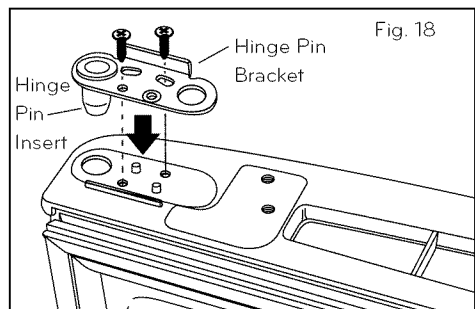
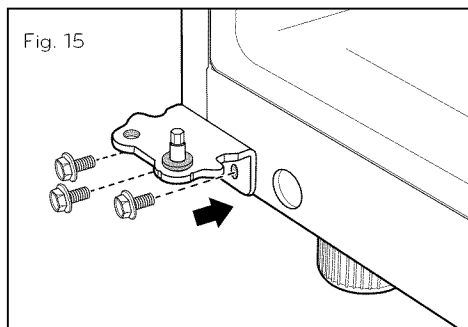
- At this point, remove the Decorative Bolt on bottom of refrigerator housing from the left side of refrigerator (See Figure 14). You will need this hole for the Bottom Hinge.

- Take out the Hinge Pin Insert and move the Bracket to the other side of the door, keeping the same orientation (See Figure 17).



- Move the Bottom Hinge to the left side of housing keeping the same orientation, and reattach with three bolts (Figure 15). Now move decorative bolt to hole on lower right side of housing.

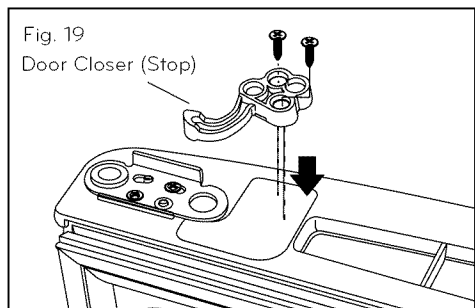
- Place Hinge Pin Insert into the left side of the bracket, tighten Hinge Pin Bracket to door (Figure 18).



- Turn refrigerator door upside down on a non-scratching surface.
- With door upside down, loosen the 2 screws and remove the door closer (stop) (See Figure 16), then loosen the other two screws to remove the bottom Hinge Pin Insert Bracket with Hinge Pin Insert (Figure 17).

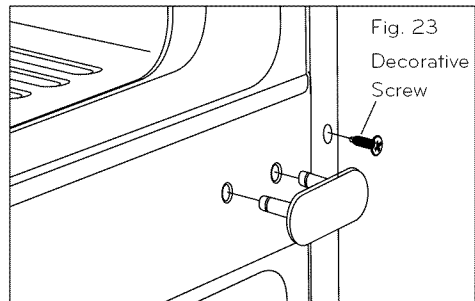
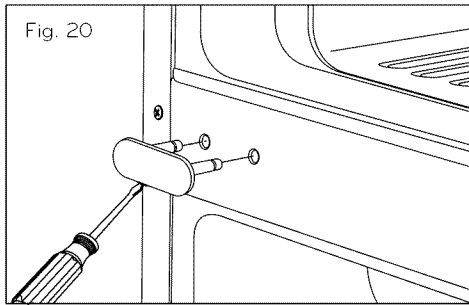
- Take Door Closer/stop and flip (See Figure 19). Line up screw holes and mount on left side of door bottom with the two screws. Turn door upright. It is now ready for reattaching.

**NOTE:** The Refrigerator door closer (stop) is not used on all models. The model you have may not include this part.

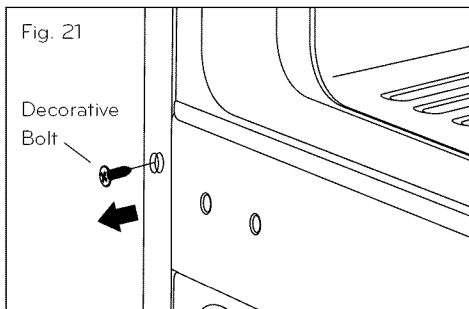


# REFRIGERATOR INSTALLATION

- With flat-head screwdriver, carefully pry off and remove the cover over the screw holes on the left side of refrigerator housing (Figure 20).

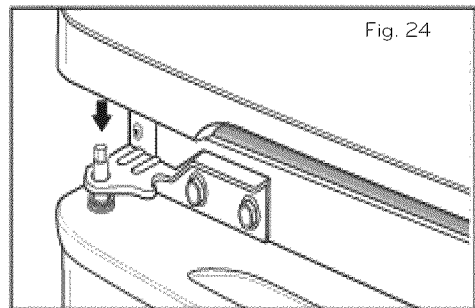


- Remove the outer lower Decorative Screw from housing at area between freezer and refrigerator doors (See Figure 21). (You will need this hole for the Middle Hinge Bracket).



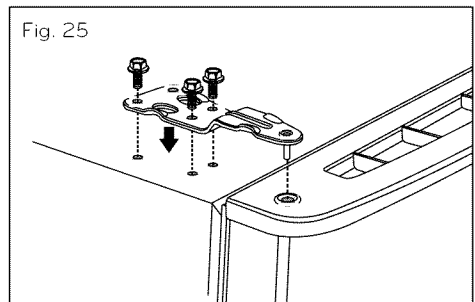
### 3. Reattaching Freezer Door

- Put freezer door down over the Hinge Pin on the Middle Hinge Pin Bracket (See Figure 24).

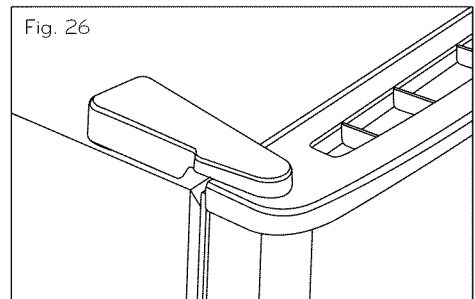


- Following instruction, flip the Middle Hinge Bracket (Flange will now be on top) and position on left side of refrigerator and re-attach with two bolts and a Phillips screw (Figure 22).
- Place refrigerator door down over pin on bottom hinge. (See Figure 22).
- Place washer between refrigerator door and middle hinge and re-attach Hinge Pin to Hinge Bracket with 1/4 inch socket wrench.

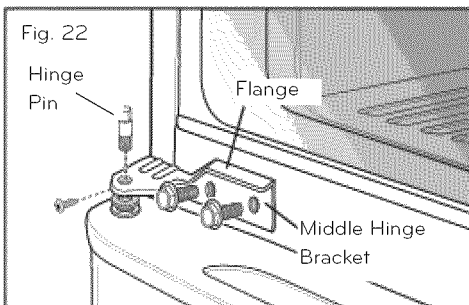
- Place Upper Hinge's Pin in the top of freezer door and line up the Upper Hinge with holes in top of refrigerator. Use the three bolts to replace Hinge (Figure 25).



- Tighten bolts. Force-fit Top Hinge Cover over Top Hinge (See Figure 26).



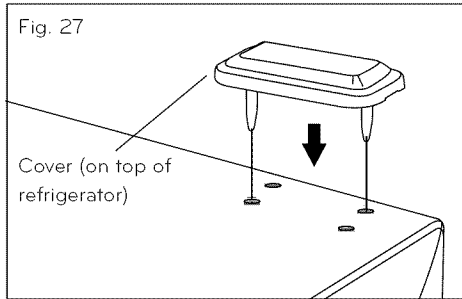
**NOTE:** Bracket has been flipped, but Hinge Pin stays in the same orientation with its hexagonal end facing upward.



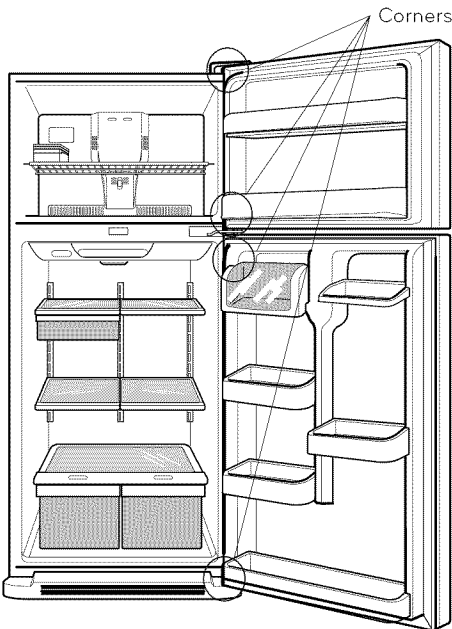
- Place Decorative Screw into outer hole on right side of housing (Figure 23).
- Attach cover on the right side. Cover is force-fitted

## REFRIGERATOR INSTALLATION

- Replace cover from left side of refrigerator top onto the right of top to cover the holes. Cover is also force-fitted (Figure 27).



After changing doors, make sure that the corners of the Door Gaskets are not folded over. To ensure a good seal, apply a small amount of silicon grease on the corners of gaskets.



### CLOSING AND ALIGNING THE DOORS

To avoid vibration, the unit must be leveled. If necessary, adjust the Leveling Legs to compensate for unevenness of the floor. The front should be slightly higher than the rear to aid in door closing.

Your refrigerator has two front leveling screws, one on the right and one on the left. If your refrigerator seems unstable or if you would like the doors to close more easily, simply adjust the inclination of the refrigerator by following the instructions below:

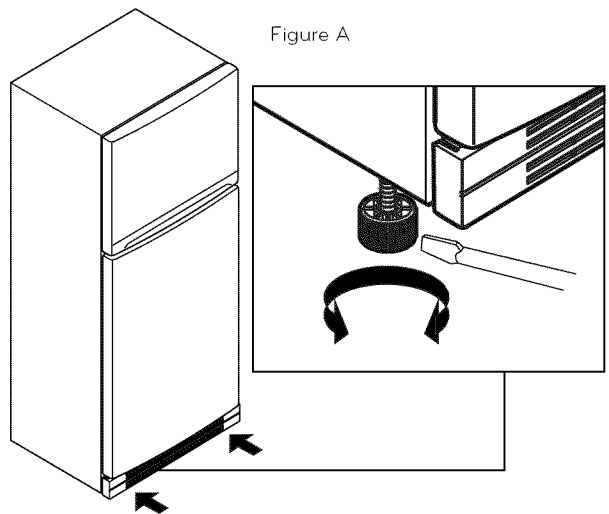
1. Plug the refrigerator into a 3 prong grounded outlet. Move the refrigerator into its final position.
2. Remove the base grille (Refer to the section on "Installation of Base Grille").

3. Use a flat head screwdriver to adjust the leveling screws (see Figure A), turning clockwise to raise the side of the refrigerator and counter-clockwise to lower it. It may take several turns to adjust it to the inclination you would like.

**NOTE:** Having someone push against the top of the refrigerator takes some weight off the leveling screws. This will make it easier to adjust the screws.

4. Open both doors again and check to make sure that they close easily. If not, tilt the refrigerator slightly more to the rear by turning both Leveling Screws clockwise. It may take several more turns, and you should turn both Leveling Screws the same amount.

5. Replace the base grille.



### Door Alignment

If the space between your doors is uneven, follow the instructions below to align the doors:

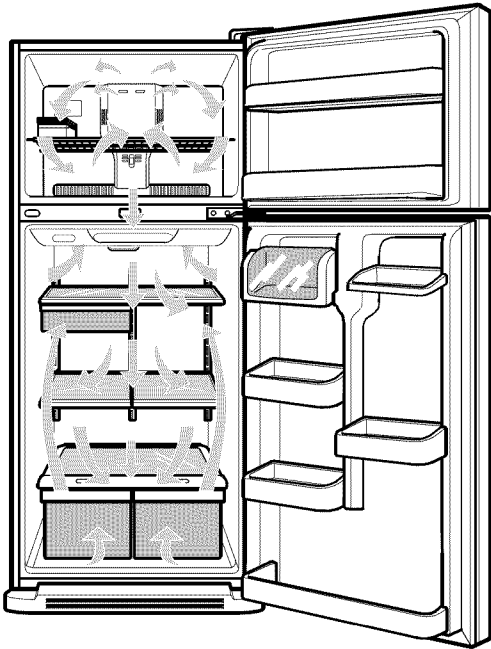
1. Gently pry off the Top Hinge Cover with a flat head screwdriver and remove.
2. Loosen the Top Hinge Bolts using a 10 mm or 13/32 inch socket wrench or open-end wrench.
3. Have someone hold the freezer door so the space between the two doors is even, and retighten the top hinge bolts.
4. Replace the Top Hinge Cover.



# USING YOUR REFRIGERATOR

## ENSURING PROPER AIR CIRCULATION

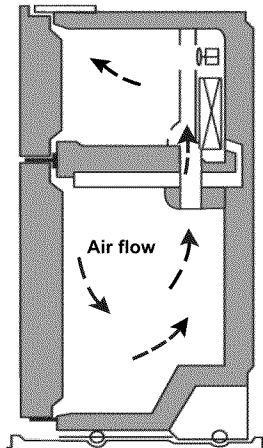
In order to obtain stable temperature, the air must flow between the freezer and refrigerator sections. As shown in the illustration below, the cold air enters through the bottom part and circulates upward. This air returns below the freezer floor and the rest of the air enters the refrigerator section through the top vent.



**Do not** block any of these vents with packages of food. This can interrupt the flow of air and cause temperature and moisture problems.

**IMPORTANT:** Because air circulates between both sections, any odors formed in one section will transfer to the other. You must thoroughly clean both sections to eliminate odors. To prevent odor transfer and drying out of food, make sure you wrap or cover foods tightly (See the **"Food Storage Guide"** section for details).

**NOTE:** If you close the fresh food compartment door applying more force than necessary, freezer door may get open and close again, due internal air flow of refrigerator.

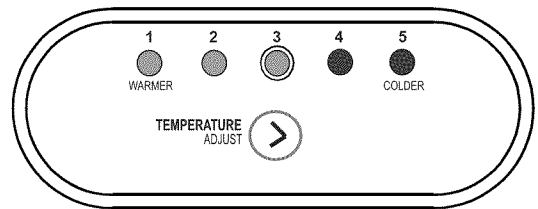


## ADJUSTING THE CONTROLS

Your refrigerator has two controls that allow you to regulate the temperature the freezer and refrigerator compartments.

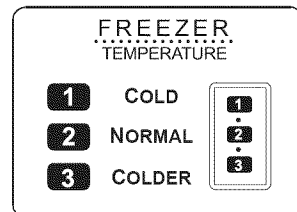
### • Refrigerator Control

Initially set the Refrigerator Control on the middle setting (number 3). To do so, press the TEMPERATURE ADJUST button until it reaches the middle position (the third LED turns ON). Leave the refrigerator on this setting for 24 hours to reach the correct temperature. After 24 hours, adjust the compartment temperature as you desire. ALWAYS wait 24 hours before you adjust the temperature. If you want to set the refrigerator compartment temperature to a warmer temperature than the current, continue pressing the TEMPERATURE ADJUST button until it reaches the desired temperature.



### • Freezer Control

The freezer control should come from factory on the middle setting (number 2). Wait 24 hours before adjusting the freezer compartment temperature. Roll the knob to set the freezer temperature as you desire. ALWAYS wait 24 hours after any adjustment to reach the desired temperature.



**NOTE:** Setting at higher number of the Freezer compartment, the temperature of freezer compartment becomes colder.

## USING YOUR REFRIGERATOR

### ADJUSTING CONTROL SETTINGS

Give the refrigerator time to cool down completely before adding food. It is best to wait 24 hours before adding food to the refrigerator. The mid-settings indicated in the previous section should be correct for normal household refrigerator usage. The controls are set correctly when milk or juice is cold to your liking and ice cream is firm.

The refrigerator control functions as the thermostat for the entire appliance. The higher the number setting, the longer the compressor will run to keep the temperature colder. The freezer control adjusts the cold air flow from the freezer to the refrigerator. Setting the freezer control to a lower temperature keeps more cold air in the freezer compartment to make it colder.

If you need to adjust the temperature in the refrigerator or freezer, begin by adjusting the refrigerator first. Wait 24 hours after the refrigerator adjustment to check the freezer temperature. If it is too warm or too cold, then adjust the freezer control as well.

Use the settings listed in the table below as a guide.

CONDITION/REASON:	RECOMMENDED ADJUSTMENT:
<b>REFRIGERATOR section is too warm</b> <ul style="list-style-type: none"> <li>Opening the door often</li> <li>Adding a large amount of food</li> <li>Room temperature is very warm</li> </ul>	<b>Adjust the REFRIGERATOR setting to the next highest number and wait 24 hours, then check.</b>
<b>FREEZER section is too warm/ ice is made too slowly</b> <ul style="list-style-type: none"> <li>Opening the door often</li> <li>Adding a large amount of food</li> <li>Room temperature is very low (not cycling often enough)</li> <li>Using ice frequently</li> <li>Air vents blocked by objects</li> </ul>	<b>Adjust the FREEZER setting to the next highest number and wait 24 hours, then check.</b>  <b>Remove any objects blocking air flow.</b>
<b>REFRIGERATOR section is too cold</b> <ul style="list-style-type: none"> <li>Controls not set correctly for your conditions</li> </ul>	<b>Adjust the REFRIGERATOR setting to the next lowest number and wait 24 hours, then check.</b>
<b>FREEZER section is too cold</b> <ul style="list-style-type: none"> <li>Controls not set correctly for your conditions</li> </ul>	<b>Adjust the FREEZER setting to the next lowest number and wait 24 hours, then check.</b>

### FOOD STORAGE GUIDE

ITEMS	HOW TO STORE
<b>Storing Fresh Food</b>	Wrap or store food in the refrigerator in airtight and moisture-proof material unless otherwise noted. This prevents food odor and taste transfer throughout the refrigerator. For dated products, check date code to ensure freshness.
<b>Butter or margarine</b>	Store opened butter in a covered dish or in a closed compartment. When storing a larger quantity, wrap in freezer packing and freeze.
<b>Cheese</b>	Store in original packaging until you are ready to use it. Once opened, tightly rewrap with plastic wrap or aluminum foil.
<b>Vegetables with skins (carrots, peppers)</b>	Place in bags or plastic containers inside the crisper.
<b>Fruit</b>	Wash and let dry; store in plastic bags in the refrigerator. Do not wash or pit berries until you are ready to eat them. Berries should be selected and kept in their original packaging (if there is any) or in a paper bag closed halfway and set on a shelf.
<b>Leafy Vegetables</b>	Remove original packaging and trim any dirty or discolored parts. Wash in cold water and drain. Place in a plastic bag or plastic container and store in the crisper.
<b>Fish</b>	Consume fish or seafood the same day purchased.
<b>Chef Fresh</b>	Store any meat in original airtight, moisture-proof packaging. Rewrap if necessary.
<b>Leftovers</b>	Cover leftovers with plastic wrap or aluminum foil. Plastic containers with airtight lids can also be used.

### STORING FROZEN FOOD

**NOTE:** For more information on how to prepare food to be frozen such in a way to see the period they can be stored consult a frozen food guide or cook book.

#### Packaging

A great freezing depends on how great you package the food. When you seal the package make sure you remove all excess air and do not allow humidity. A package that is incorrectly sealed will result in the transmission of bad odors, contaminants inside your refrigerator and will cause your foods to dry.

# USING YOUR REFRIGERATOR

## Packaging Recommendations:

- Use sealed plastic containers.
- Use plastic containers with a smooth surface.
- Package with aluminum foil of high resistance.
- Wrap with paper layered with plastic.
- Use water proof plastic.
- Use recommended plastic bags to store frozen foods.

Follow these packaging or container instructions in order to reach the best freezing

## Do not use:

- Bread Wrapping.
- Plastic container not safe for storing.
- Containers without lids or seals.
- Waxed paper or waxed plastic.
- Thin wrapping paper or not water proof.

## Freezing

**IMPORTANT:** Do not keep bottles in the freezer compartment, they may explode after freezing and cause damage.

For the maximum use of your freezer do not store excess food. Do not introduce a large amount of unfrozen foods that cannot be frozen within 24 hours (no more than 2 - 3 pounds or ,91 kg - 1,36 kg of food per square inch of space in the freezer). Sufficient space must be left in order for the air to circulate properly around the packages. Leave enough space in order to close your refrigerator with out difficulty.

Storage times can vary depending on the type and quality of the food, the way its package, or packaging container used, (in comparison to air and humidity), and the temperature it being stored in. Ice crystals formed inside your package are normal it indicates the air and humidity inside your package have condensed.

**NOTE:** Let warm foods cool off at room temperature for approximately 30 min, then wrap accordingly with the methods mention above and freeze. By letting your warm foods cool off before you introduce them to your freezer it will save you energy.

## ⚠ WARNING

### SUFFOCATING DANGER

Adequate ventilation is required when using dry ice. Dry ice is Carbon Dioxide (CO<sub>2</sub>). When it evaporates it produces oxygen, causing dizziness, slight headaches, unconsciousness or death. Do not inhale these vapors and properly ventilate the room while in use of dry ice.

## REFRIGERATOR SECTION

### REFRIGERATOR SHELVES

The shelving of your refrigerator can be adjusted to comply with your storage necessities; Depending on the model you have in can include glass shelving or wired shelving. The storing of your foods together and adjusting the shelving to different heights will ease to help you locate what you need. This also helps your refrigerator to stay shut longer which will save you energy.

**IMPORTANT:** While your refrigerator glass shelving are cold do not clean with hot or warm water. The glass shelving may break if exposed to rapid temperature changes or hard impacts. For your safety the glass shelving are made out of tempered glass so when at breaking they will fracture into tiny fragments.

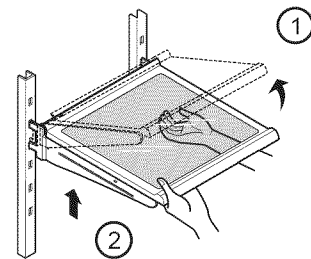
**NOTE:** Be careful while moving or relocating the shelves they are heavy. If moving the shelves is required keep in mind to locate them in a safe environment to prevent them from breaking.

### Adjusting Shelves

Remove the shelves and adjust them to your convenience.

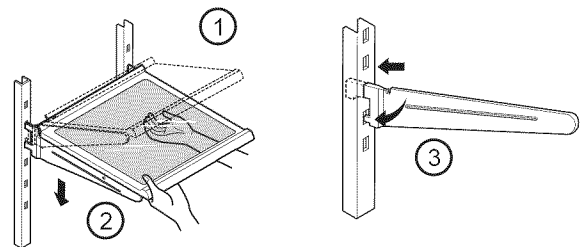
#### • Removing Shelves

Incline the front of the shelf in the direction indicated by figure 1 and lift in the direction indicated by figure 2. Pull the shelf towards you.



#### • Replacing Shelves

Incline the frontal part of the shelf (1) and guide the shelf hooks towards the openings at the height desired. Then lower the front of the shelf (2) so the hooks can be inserted (3) in the shelf supports.



**NOTE:** Make sure that the shelf is installed in the horizontal manner. If not secured it can cause the shelves to fall, which will cause your stored food to spill.

## USING YOUR REFRIGERATOR

### Sliding Shelves (in some models)

You can slide some of the shelves in your refrigerator towards inside or outside like explained below.

- To slide the shelf towards the outside: Pull towards you, figure A.
- To slide the shelf towards the inside: Push until it stops, figure B.

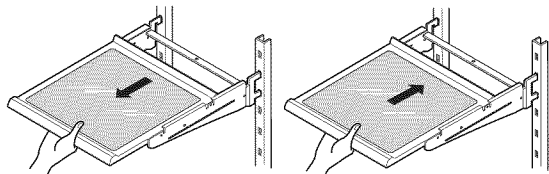


Figure A

Figure B

### In order to remove a shelf from a metal frame

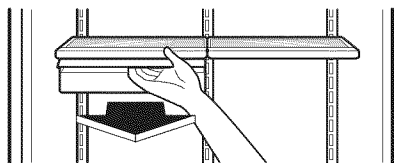
- Pull the shelf until it stops.
- Incline the front of the shelf towards the top and pull forward.
- Lift the shelf in the manner it moves across the support openings.

To put back into place just reverse these steps.

### FROZEN MEAT COMPARTMENT/ CHEF FRESH SNACK PAN (in some models)

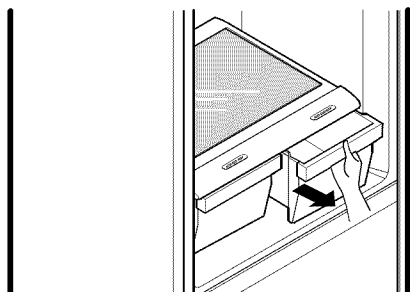
#### To remove the Frozen Meat Compartment

- Pull the frozen meat compartment forward while holding it with your other hand, slightly lift and pull.
- To replace the frozen meat compartment just follow the steps in reverse.






### CRISPER AND VEGETABLE DRAWER


- Slide crisper straight out to the stop.
- Lift the front of the crisper, then pull it out to remove.
- Remove the crisper by sliding it back in fully past the drawer stop.

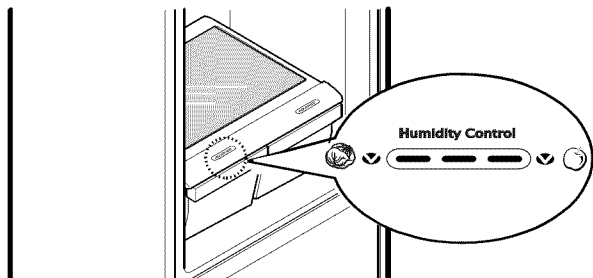


### CRISPER HUMIDITY CONTROL (in some models)

You can adjust the humidity inside the drawers by adjusting the control in a position between  and .

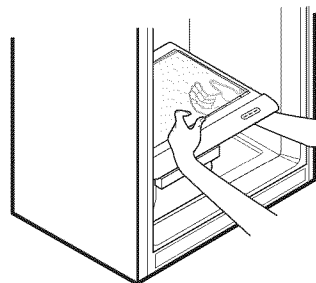
 For better preservation of the fruits allow air to leave the vegetable drawer.

 For a better conservation of vegetables allow the maximum air in the drawer.



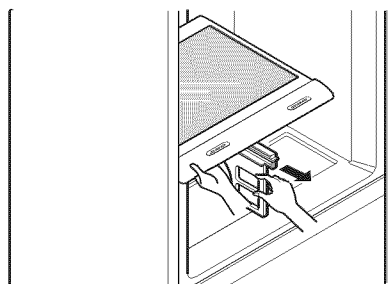
### To remove the glass

- Remove Crisper Drawers.
- To remove glass above crispers, reach in under the glass and lift up.
- Pull glass up and out.



### To remove the crisper cover

- Remove both crispers.
- While holding the crisper cover support, pull the cover up and out.



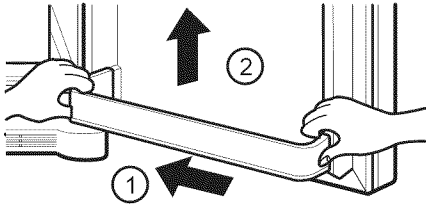
### FIXED REFRIGERATOR RACK

The fixed refrigerator racks is removable for easy cleaning and adjusting.

#### Removing the Fixed Refrigerator Rack

- Remove the content from the rack.
- Press the rack against the door's inner wall (1) and then pull it up (2).

## USING YOUR REFRIGERATOR



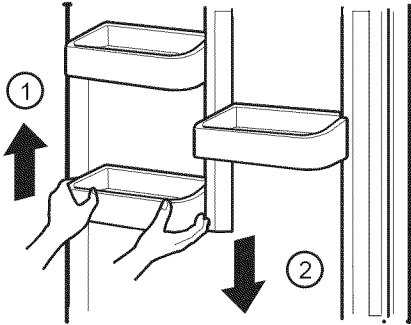
### Replacing the Fixed Refrigerator Rack

- Hold the rack's edge against the door's inner wall.
- Press the rack until it stays in its position.

### DOOR RACKS

The door racks are removable for easy cleaning and adjusting.

- To remove the rack, simply lift the rack up and pull straight out (1).
- To replace the rack, slide it in above the desired support button and push down until it stops (2).



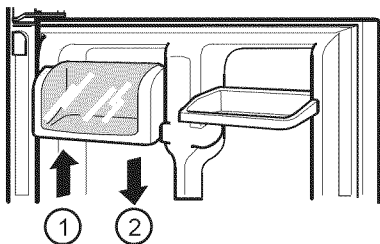
**WARNING:** Somebody can be hurt if door racks are not firmly assembled.

**CAUTION:** DO NOT allow children to play with baskets. Sharp corners on baskets could cause injury.

**NOTE:** DO NOT adjust a rack that is loaded with food.

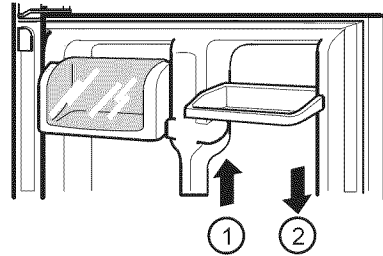
### DAIRY COMPARTMENT (in some models)

- To remove the dairy compartment, simply lift it and pull straight out (1).
- To replace the dairy compartment, slide it in above the desired location and push down until it stops (2).



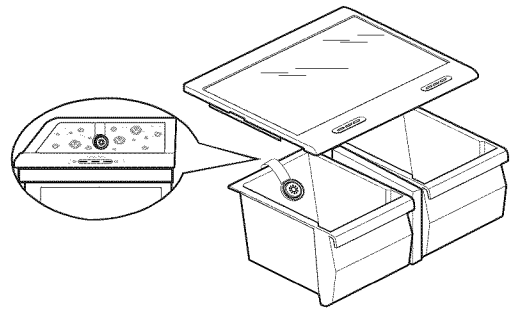
### CAN DISPENSER (in some models)

- To remove the can dispenser, simply lift it and pull straight out (1).
- To replace the can dispenser, slide it in above the desired location and push down until it stops (2).



### VITABOX (in some models)

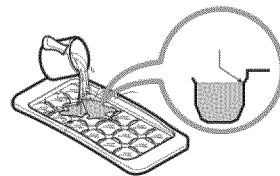
- Provides vitamins to fruits and vegetables, to conserve fresh for long time.



### ICE TRAY (in some models)

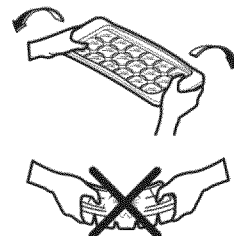
#### Ice making

- If the tray is filled with water to the highest level, it will be difficult to remove ice cubes.
- For quick freeze, adjust the freezer dial to 3.



#### To remove ice cubes

- Twist the tray. Do not bend the ice tray. Doing so may result in damage to the tray.
- To remove ice cubes easily, pour water on the tray or soak it in water before removing ice cubes.



# REFRIGERATOR CARE AND CLEANING

## ⚠ WARNING

### EXPLOSION HAZARD



Do not use flammable cleaners. Not following these instructions can cause death, explosion or fire.

The refrigerator, as well as the freezer, do their own de-freezing. This process does not prevent the build up of contaminants, therefore it is suggested that you clean both parts once a month; clean spilled liquids immediately.

## REFRIGERATOR CLEANING

- Unplug your refrigerator.
- Pull out all of the removable parts (such as the vegetable and dairy doors).
- Use a clean sponge (or a soft rag) and use it with lukewarm water mixed with detergent. Do not use abrasive or concentrated cleaners.
- Hand wash it, and dry it thoroughly.
- Plug the refrigerator back in.

## OUTSIDE

Wax the outside in order to create better protection. Make sure you use a product specifically design to be used for electro-domestic products (car wax is acceptable). Use a clean, soft rag, and perform this task twice a year. For metal-made refrigerators, do not wax, simply clean it with water and detergent. Do not use concentrated or abrasive products.

**NOTE:** Avoid the usage of chemical products that contain phosphates or bleach.

## INSIDE (Allow freezer to slightly warm up a small degree to prevent cloth from sticking)

In order to eliminate bad odors, clean the inside of the refrigerator with a mixture of baking powder and lukewarm water (one teaspoon of baking powder per cup of water). Ensure that the powder dissolves thoroughly, in order to prevent any sort of damage.

## DOOR LINING AND GASKETS

Use only a mild detergent (such as dish soap).

## PLASTIC PARTS (Covers and Panels)

Do not use abrasive, paper or rough products. These could damage the product.

## BACK COVER

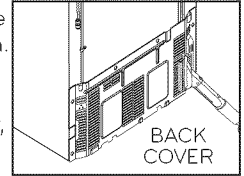
## ⚠ WARNING

### ELECTRICAL SHOCK HAZARD

Before you begin, either unplug the refrigerator or turn off power at the circuit breaker or fuse box.

**NOTE:** Back Cover should only be removed by a qualified technician.

In order to get an efficient performance of your refrigerator, clean the back cover of it at least twice a year.



## REPLACING REFRIGERATOR LIGHTS

## ⚠ WARNING

### ELECTRIC SHOCK HAZARD

Before replacing a burned-out light bulb, either unplug the refrigerator or turn off power at the circuit breaker or fuse box.

**NOTE:** Moving the control to the OFF position does not remove power to the light circuit.

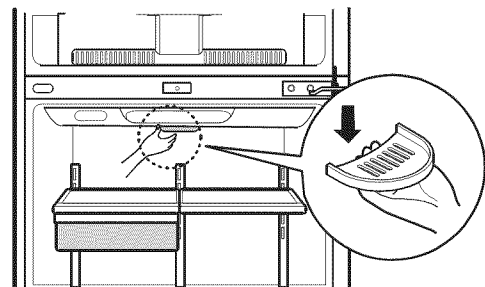
**NOTE:** Not all light bulbs for electric-domestic products will fit your refrigerator. When replacing them, make sure they are the same size, shape, and of a potency of 40 watts.

**NOTE:** The light bulbs will turn off, if the door of the refrigerator is left open for seven minutes. If the door is closed, the bulbs will turn on again.

### Replacing the Refrigerator Light:

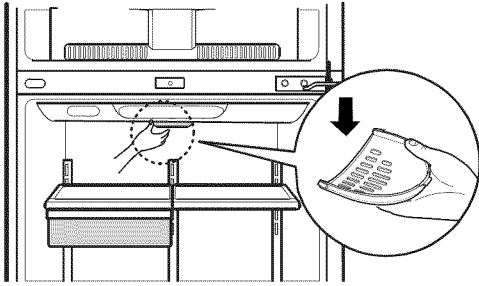
- Unplug your refrigerator.
- Pull out all of the shelves.
- Release the hooks on both ends of the light shield and pull the shield down to remove it.
- Turn the bulb counterclockwise and remove.
- Replace a burned out light bulb with a new one, turning it clockwise.
- Replace the light shield pushing it up.
- Replace the refrigerator shelves.
- Plug the power cord to the outlet.

Type A



## REFRIGERATOR CARE AND CLEANING

Type B



5. Pull out all of the removable parts, and wrap them with adhesive tape.
6. Depending on the model of the refrigerator, lift the top part of the refrigerator so it can roll with ease, or screw the levelers so it won't scratch the floor. Consult to the section "**Closing and Aligning Doors**".
7. Keep the doors closed with the cable glued to the refrigerator cabinet with an adhesive tape.

When your refrigerator arrives to your home, put everything back in place and read the section "**Refrigerator Installation**" in order to obtain installation preparation. In case your refrigerator has a factory ice maker, remember you have to reconnect the water supply.

### POWER INTERRUPTIONS

1. In case of a black out, call your electric company and ask how long it will last.
2. In case of a 24 hour or less black out, do not open the refrigerator; this will keep the food fresh.
3. In case of a longer black out, do one of the following options:
  - Pull out all of the frozen food and keep them in an ice chest.
  - Put 2 lbs (907 g) of frozen ice (make sure you use gloves) for each square foot (28 L) inside the freezer. This task will preserve the food for 2 to 4 days.
  - In case you do not possess neither ice chest or dry ice, consume your food as soon as possible.

**REMEMBER:** In a power failure, a full freezer stays cold longer than a partially filled one. A freezer full of meat stays cold longer than a freezer full of baked goods. If you see that food contains ice crystals, it may be safely refrozen, although the quality and flavor may be affected. If the condition of the food is poor or if you feel it unsafe, dispose of it.

### WHEN GOING ON VACATION

If you decide to leave your refrigerator on when going away, consider these steps:

1. Consume all of the perishable items and freeze the rest.
2. Empty the ice bin.

If you decide to leave your refrigerator off:

1. Remove all of the food.
2. Unplug your refrigerator.
3. Clean and dry it well.
4. Make sure the doors stay open (use blocks or tape) in order to prevent bad odors and fungi from happening.

### WHEN MOVING

If you decide to take your refrigerator with you when moving, consider the following:

1. Remove all of the food from it, and place the frozen food in an ice chest with dry ice.
2. Unplug your refrigerator.
3. Empty the water from its tray.
4. Clean and dry it with a rag.

## ABOUT THE AUTOMATIC ICE MAKER

**NOTE:** The automatic Ice maker is only included in some models. Check your specifications of your refrigerator.

### **⚠ WARNING**

#### **PERSONAL INJURY HAZARD**

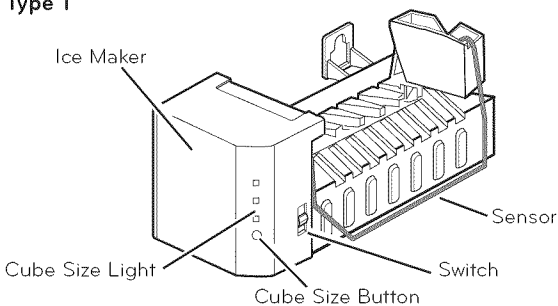
Avoid contact with any moving parts of the ejector mechanism or with the heater that releases the ice cubes. **DO NOT** place your fingers in the automatic ice maker when the refrigerator is plugged in.

### **OPERATING INSTRUCTIONS**

After turning on your refrigerator, the ice will start to be made between 12 and 24 hours.

#### **Identify your ice maker type.**

##### **Type 1**



The ice maker produces 8 per cycle (in between 100 and 130 cubes in a 24 hour period), depending on the temperature of the freezer, the times in which the door opens, and other using conditions (amount of food in the freezer, etc).

**NOTE:** If the size of the ice cube is smaller or bigger than what you desire, you can adjust its size by pushing the selective button. This button changes the pressure of the water, which can give considerable results.

Each time you push the selective button, a light will turn on. The bigger the amount that turns on, the bigger the size of the cubes will be.

If the refrigerator is used before the connection of water to the ice maker was performed, you must turn its dial to **O** (off).

When the water connections are performed, turn its dial to **I** (on).

The ice maker will fill up (and start making ice) between 12 and 24 hours after the refrigerator is turned on.

Throw away the first batch of ice. Make sure that nothing interferes with the sensor.

When the ice reaches the sensor, the ice maker will stop to make ice immediately.

It's normal that some ice gets stuck. If the ice is not used frequently, the older cubes of ice will be opaque in color, smaller, and with a strange flavor.

### **YOU MUST TURN THE SWITCH TO O (OFF)**

- When the water supply is interrupted for many hours.
- When the ice container is left out of its place for more than one or two minutes.
- When the refrigerator will not be in use for various days.

### **NORMAL SOUNDS**

- The valve will emit a buzzing sound when the ice maker is full of water. If the switch is placed in the off position the buzz will still be heard even when the water pipe has not been connected. To avoid this sound, move switch to **O** (off) position.

**NOTE:** The ice maker can get damaged if the switch is kept in the ON position before the water pipe has been connected.

- While the ice maker is filling up with water and producing ice, you will hear the sound of the ice falling and water flowing through the pipes.

### **PREPARING FOR VACATIONS**

Move the ice maker switch to the **O** (off) position and cut the flow of water going into the refrigerator.

If room temperature is at freezing point, have a specialized technician drain the flow of water from the inner pipes (certain models) to avoid broken pipe related damage.



## CONNECTING THE WATER LINE

**NOTE:** It is necessary to have a water source when both water and/or ice dispensers are available in your product.

### BEFORE START

The water source is not guaranteed by the refrigerator manufacturer. Follow instructions carefully in order to reduce damage.

Air located inside the water pipes can cause hammering or tapping causing damage to the inner pipes or water spillage in the inside of the refrigerator. Call a qualified plumber to fix such hammering on the connections before installing the water pipe.

To avoid burn damage or such, never connect refrigerator to hot water pipes.

If you are to use the refrigerator before connecting it to the water source, make sure the ice maker is the off position.

Never attempt to install the ice maker pipes in areas where room temperature is below freezing point.

When using any electrical device (like a drill) during the installation, make sure device is doubly isolated or making ground to prevent risk of electrical surge or discharge.

All installations should be done considering local water and drainage requirements.

- If an inverted osmosis water filtration system is connected to the cold water source, the water hose installation is not assured or guaranteed by the refrigerator or automated ice maker manufacturer. Follow the next instructions carefully to minimize costly water related damages.
- When having an inverted osmosis water filtration system connected to the cold-water flow, the water pressure for such system must be at least between 40-60 PSI or 0,27 MPa ( $2,8 \text{ kg} \cdot \text{f} / \text{cm}^2 \sim 4,2 \text{ kg} \cdot \text{f} / \text{cm}^2$ , ( $2,8 \text{ kg} \cdot \text{f} / \text{cm}^2 \sim 4,2 \text{ kg} \cdot \text{f} / \text{cm}^2$ , less than  $2 \sim 3$  seconds to fill a 7 oz of capacity cup [0,2 liters])).
- If the inverted osmosis water filtration system pressure is less than 21 PSI or 0,14 MPa ( $1,5 \text{ kg} \cdot \text{f} / \text{cm}^2$ , more than four (4) seconds to fill a 7 oz of capacity cup [0,2 liters]):
  - a) Identify if the sediments filter in the inverted osmosis system is being blocked. Replace filter if necessary.
  - b) Allow inverted osmosis system storage tank to refill after extensive usage.
  - c) Call a qualified plumber if the inverted osmosis water pressure problem continues.

### REQUIREMENTS

- **1/4" (6,35 mm) in diameter copper pipe** to connect refrigerator to the water pipe. Make sure both terminals are cut in a squared manner.



To determine how much pipe material is needed, measures the distances between the valves located

behind the refrigerator and the source of water and add to that 8 feet (2,4 m). Make sure there is sufficient pipe material to allow the free movement of the refrigerator from the wall

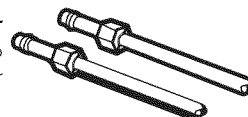
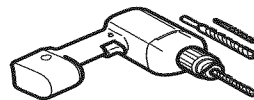
- **A cold water source.** Water pressure should be between 0,138 and 0,82 MPa or 20 and 120 PSI for models not containing water filter and between 0,276 and 0,82 MPa or 40 and 120 PSI for models containing water filter.

- **A drill.**

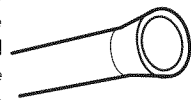
- **Adjustable 1/2" (12,7 mm) key.**

- **Flat and Phillips style (star) screwdriver.**

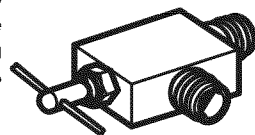
- **Two 1/4" (6,35 mm) diameter compression nuts** with two sides to connect the copper pipe to the refrigerator valve.



If your current copper pipe has some reduction on the ends, it will be necessary to get and adaptor (found in hardware stores) to connect the water line to the refrigerator. It is also possible to cut such reductions with a pipe cutter and use the compression connections mentioned above.



- **Bypass valve** to connect to the cold water line. The valve must have a water opening with an interior 5/32" (3,46 mm) diameter in the cold-water connection point. These valves can be located in any cold-water connection package. Before buying make sure such valve meets local standards and requirements.



### INSTALLATION INSTRUCTIONS

Install the valve to the pipe that you use to drink water. (Connect only to a potable water source).

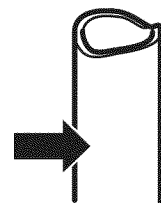
**⚠ CAUTION:** Connect to potable water supply only.

#### 1. CLOSE THE MAIN WATER SOURCE

Open the nearest water faucet to let water flow and empty pipes.

#### 2. SELECT THE LOCATION OF THE VALVE

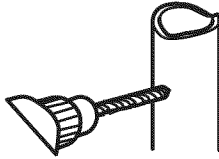
Select the location of the valve that will provide a better access. It is best to connect to a vertical pipeline. When connecting to a horizontal pipeline is necessary, make the connection in the lateral or upper area instead of the lower area to prevent accumulation of sediment.



## CONNECTING THE WATER LINE

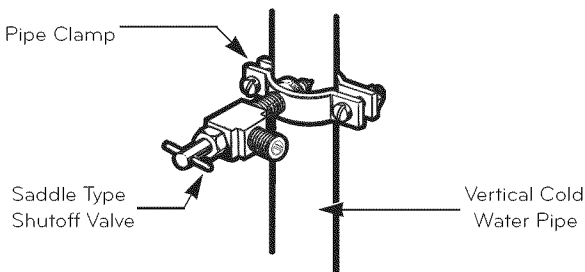
### 3. DRILL A HOLE FOR THE VALVE

Drill a 1/4" (6,35 mm) diameter hole in the water pipeline. Remove jagged edges produced after perforation. Make sure water does not reach the drill. Not performing the 1/4" (6,35 mm) perforation can lead to a low or smaller ice production.



### 4. TIGHTEN THE VALVE

Tight the valve into the cold water pipeline with a tube trap.

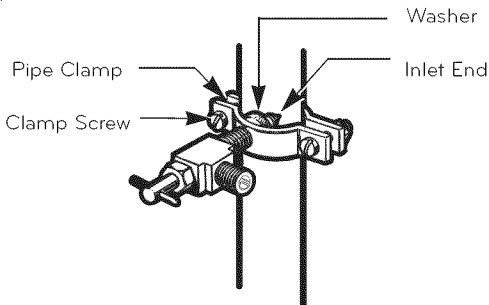


**NOTE:** Codes for 248 CMR pipelines of the state of Massachusetts must be attached to the connection. Valves of this type are banned in Massachusetts. Call an authorized plumber.

### 5. TIGHTEN THE TRAP

Tighten the trap until the sealing ring begins to grow.

**NOTE:** Make sure it is not too tight, this can break the pipe.



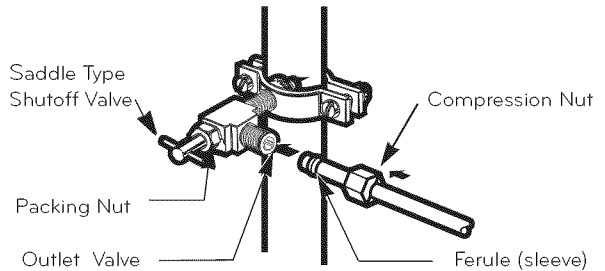
### 6. PLACE THE PIPELINE

Place the pipeline between the cold water pipe and the refrigerator. Place it through a hole in the wall or floor (behind the refrigerator or next to the cabinet) as close to the wall as possible.

**NOTE:** Make sure there is a sufficient amount of extra pipeline (8 feet [244 mm] coiled up three times with a 10" [25 cm] in diameter) to allow free movement of the refrigerator from the wall after installation was made.

### 7. CONNECT PIPELINE TO VALVE

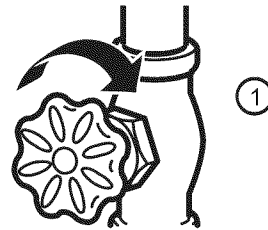
Place the compression nut and the copper pipe ferule at the end of the pipe and connect to the valve. Make sure the pipe is completely inserted into the valve. Tighten nut carefully.



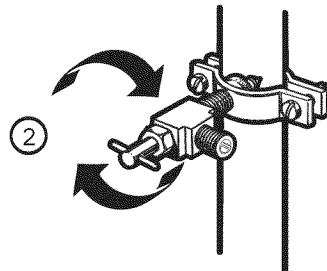
**NOTE:** Codes for 248 CMR pipelines of the state of Massachusetts must be attached to the connection. Valves of this type are banned in Massachusetts. Call an authorized plumber.

### 8. DRAIN THE PIPE

Open the main water source (1) and drain the pipe until water comes out clear.



Allow water flow from the bypass valve (2) and close after draining 1/4 of a gallon (1L) of water.



### 9. CONNECT PIPE TO REFRIGERATOR

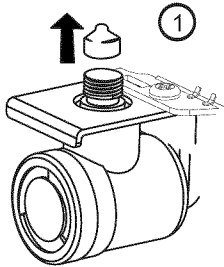
#### NOTES:

- Before making connection to refrigerator, make sure it is not connected to any energy source. If your refrigerator does not have a water filter, it is advised to install one.
- If your water source contains sand or related particles that can travel to the valve, install a water filter near the refrigerator.

**IMPORTANT:** Never use old or used hoses. Always use new ones to have a better use and experience. Connect always to a potable water source to avoid security and health issues.

## CONNECTING THE WATER LINE

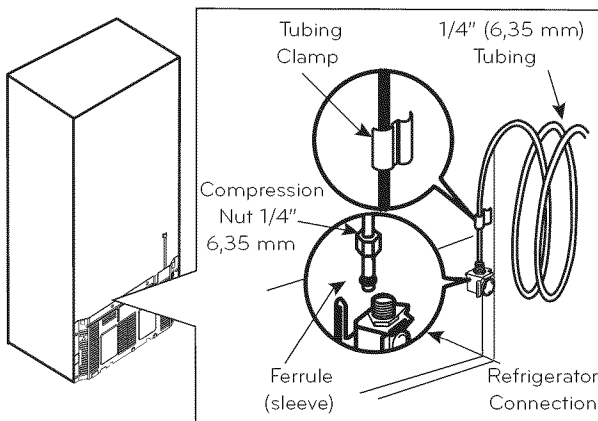
- Remove the ring plug (1) from the valve located at the top of such device.



### 12. TURN ICE MAKER ON

Turn ice maker switch into the **ON** position. Ice maker will start only after reaching its operating temperature of 15 °F (-9 °C) or less. It will automatically begin the ice production if switch is located in the **ON** position.

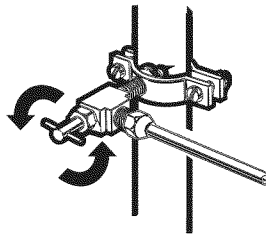
- Place compression nut and the ferrule at the end of the pipeline. Insert pipeline into the connection valve as far as possible. Hold tightly while holding pipeline.



Hold on to the pipe from the handles or grabbers located behind the refrigerator, loosening first the bolt holding the handle. Afterwards, insert pipe into the hole and tighten bolt to finalize.

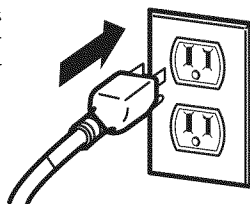
### 10. OPEN THE BYPASS VALVE

Tighten all connections containing leaks. Place access cover back on compressor.



### 11. CONNECT TO REFRIGERATOR

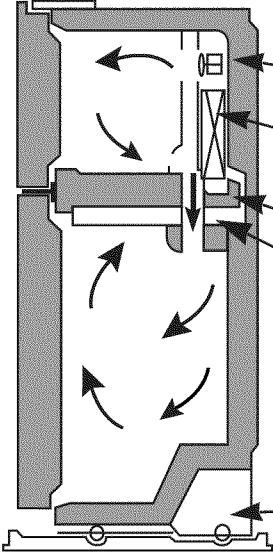
Fix pipeline in a way that it does not vibrate on the refrigerator or wall. Push refrigerator against wall.



# TROUBLESHOOTING GUIDE

## UNDERSTANDING SOUNDS YOU MAY HEAR

Your new refrigerator might produce certain noises that your previous refrigerator did not. It is normal if you worry. Most of the new sounds you will be hearing are actually normal and expected. Hard surfaces like walls or floor can increase sounds and make them sound louder than they really are. The following list has a description of such sounds along with their causes.



- You will hear a bell sound caused by the flow of the refrigerant, water pipe or objects located on the superior part of the refrigerator.
- Your refrigerator is designed to work efficiently to preserve your food at the desired temperature using the least of energy. You will be able to hear a pulsing sound coming from the ventilators and the evaporator. The speed of the ventilator can speed up when you open the refrigerator door.
- You will hear a dripping sound caused during the thawing cycle.
- After each cycle you will hear a dripping sound due to the refrigerant liquid in your refrigerator.
- Contraction and expansion of the inner walls can cause a slight popping sound..
- During the defrosting cycle the water might cause a dripping sound.
- You can hear some tight air sound over the capacitor caused by the fan.
- Running water can be heard during the defrosting cycle.
- Due to its low energy consumption design of the refrigerator; the fans will remain of, while the on-off switch activated the internal light of bin.

- The thawing timer will make a "click" sound when such timer will start and finish. Temperature controlling device will also make a "click" sound at the beginning and ending of the refrigerator cycle.

Problem	Possible Causes	Solutions
<p><b>THE REFRIGERATOR WON'T TURN ON</b></p>	<ul style="list-style-type: none"> <li>• The plug is correctly positioned.</li> <li>• A fuse has gone bad or the circuit presents failures.</li> <li>• The control panel lights are blinking sequentially (1-2-3-4-5).</li> </ul>	<ul style="list-style-type: none"> <li>• Firmly plug the cord into a live outlet with proper voltage.</li> <li>• Replace the fuse or reset the circuit breaker.</li> <li>• The refrigerator control has been put into the store demo (demonstration mode). To exit the demo mode:                             <ol style="list-style-type: none"> <li>1. Open both the refrigerator and freezer doors.</li> <li>2. Push in both door switches and at the same time press and hold the Temperature Adjust button for 5 seconds.</li> </ol> </li> </ul> <div style="text-align: center;"> <p style="text-align: right;">Door Switches</p> <p style="text-align: center;">Temperature Adjust Button</p> </div> <ul style="list-style-type: none"> <li>• Wait about 30 minutes for defrost cycle to end.</li> </ul>
	<ul style="list-style-type: none"> <li>• The refrigerator is in the defrosting cycle.</li> </ul>	

## TROUBLESHOOTING GUIDE

Problem	Possible Causes	Solutions
<b>STRANGE SOUNDS OR SNOOZING/ VIBRATIONS</b>	<ul style="list-style-type: none"> <li>The refrigerator is not correctly positioned.</li> </ul>	<ul style="list-style-type: none"> <li>You need to adjust the leveling screws due the floor is unlevelled or weak. Read the <b>Installation</b> section.</li> </ul>
<b>THE LIGHT WON'T TURN ON</b>	<ul style="list-style-type: none"> <li>The refrigerator is plugged.</li> <li>The light bulbs are loose.</li> <li>A light bulb has gone bad.</li> </ul>	<ul style="list-style-type: none"> <li>Plug the refrigerator in a right voltage plug.</li> <li>Unplug the refrigerator. Unscrew the Light bulb and screw it again (Read the section <b>Refrigerator Care and Cleaning</b>). Plug again.</li> <li>Unplug the refrigerator before changing the light bulb. Replace the bulb with a same 40 watts bulb for your local store. (Read the section <b>Replacing Refrigerator Lights</b>).</li> </ul>
<b>IT LOOKS LIKE THE COMPRESSOR MOTOR STAYS ON TOO LONG</b>	<ul style="list-style-type: none"> <li>The replaced refrigerator was an older model.</li> <li>The room temperature is hotter than usual.</li> <li>The door is being opened very often or there has been a big amount of food in storage.</li> <li>The refrigerator is plugged and the control has been adjusted correctly.</li> <li>Doors won't close correctly.</li> <li>The condenser pipes are dirty.</li> </ul>	<ul style="list-style-type: none"> <li>Modern refrigerators with a bigger storage capacity require longer periods of operation.</li> <li>The motor will continue working when the room temperature is high. The motor might be on between 40% or 80% of the time. In high temperature conditions, the capacitor might run on periods of time.</li> <li>When adding or opening the door of the refrigerator, it warms it up. It's normal that the refrigerator to run more that usual in order to cool the bins. (Read the section <b>Food Storage Guide</b>). To save energy, take what you need at once, order your food in order so it can be easily found and close the door immediately soon after you took out the food.</li> <li>The refrigerator will take 24 hours to cool down completely.</li> <li>Push firmly the Doors. If they don't close. Read <b>Doors will not close completely</b> below.</li> <li>This will stop the air transfer and marked the motor to work longer and harder. Clean the pipes of the condenser.</li> </ul>
<b>DOORS WILL NOT CLOSE COMPLETELY</b>	<ul style="list-style-type: none"> <li>The refrigerator is not leveled.</li> <li>The food packages are blocking the doors.</li> <li>The ice bin, the vegetable bin, the panels and the shelves from the door are out of place or position.</li> <li>The gaskets are sticking.</li> <li>The refrigerator wobbles or looks instable.</li> <li>The doors were removed during the installation and they weren't properly setup.</li> </ul>	<ul style="list-style-type: none"> <li>Read <b>Refrigerator Installation</b> section to level refrigerator.</li> <li>Adjust the food bins in order to free space between the doors and the shelves.</li> <li>Push the containers and place the vegetable cover lid, the panels, shelves and any other container or bin in their right positions. Read the section <b>Using your Refrigerator</b>.</li> <li>Clean the seal rings and the surface they might be in contact with. Use a piece of cloth with a small amount of paraffin and apply it over the seal rings.</li> <li>Level the refrigerator. Read the section <b>Closing and Aligning the Doors</b>.</li> <li>Remove and place again the door according to the section <b>Refrigerator Doors: How to remove and reverse</b>.</li> </ul>
<b>THERE'S ICE ON THE FOOD</b>	<ul style="list-style-type: none"> <li>The door hasn't been closed completely.</li> <li>The door is frequently opened.</li> </ul>	<ul style="list-style-type: none"> <li>Read <b>Doors Will not Close Completely</b> already mentioned.</li> <li>When the door is opened, warm, humid air is allowed in the freezer resulting in frost.</li> </ul>
<b>THERE'S WATER IN THE DRAINING BIN</b>	<ul style="list-style-type: none"> <li>The refrigerator is in defrosting cycle.</li> <li>It's more humid than usual.</li> </ul>	<ul style="list-style-type: none"> <li>The water will evaporate. It is normal that some water falls on the bin.</li> <li>It might take a while for the water to evaporate. This is normal when the weather is hot and humid.</li> </ul>

## TROUBLESHOOTING GUIDE

Problem	Possible Causes	Solutions
<b>THERE IS A WEIRD TASTE AND SMELL IN THE ICE</b>	<ul style="list-style-type: none"> <li>• The ice maker has been installed correctly.</li> <li>• The ice has been on storage too long.</li> <li>• The food hasn't been packed in the correct way.</li> <li>• The water supply contains mineral and sulfur.</li> <li>• The inside of the refrigerator need cleaning.</li> <li>• The ice bin needs cleaning.</li> </ul>	<ul style="list-style-type: none"> <li>• Don't use the first ices made.</li> <li>• Dispose of that old ice and make new.</li> <li>• Pack again the food because it can transfer odors and tastes to the ice.</li> <li>• You might need to install a filter in order to eliminate the odors and taste problems.</li> <li>• Read the section <b>Refrigerator Care and Cleaning</b>.</li> <li>• Empty the bin and discard the old ice cubes.</li> </ul>
<b>THE REFRIGERATOR SEEMS TO MAKE TOO MUCH NOISE</b>	<ul style="list-style-type: none"> <li>• The sounds may be normal for your refrigerator.</li> </ul>	<ul style="list-style-type: none"> <li>• Refer to the <b>Understanding Sounds You May Hear</b> section</li> </ul>
<b>THE ICE MAKER IS NOT PRODUCING ICE OR ICE CUBES ARE FREEZING TOO SLOWLY</b>	<ul style="list-style-type: none"> <li>• The smallest size of ice cubes is selected.</li> <li>• Door left open.</li> </ul>	<ul style="list-style-type: none"> <li>• Wait 24 hours after hook-up for ice production. See the <b>Adjusting the Controls</b> section.</li> <li>• Check to see if something is holding the door open.</li> </ul>
<b>THE ICE CUBES ARE TOO SMALL</b>	<ul style="list-style-type: none"> <li>• Smaller cube size level is selected.</li> <li>• The water supply valve is blocked.</li> </ul>	<ul style="list-style-type: none"> <li>• Select a bigger size for the ice cubes.</li> <li>• Call a plumber to clean the valve.</li> </ul>
<b>THE DOORS ARE HARD TO OPEN</b>	<ul style="list-style-type: none"> <li>• The gaskets are dirty or sticky.</li> <li>• The door opens itself as soon as you close it.</li> </ul>	<ul style="list-style-type: none"> <li>• Clean the gaskets and surface that they are in contact with. Use a damp cloth with paraffin also apply over the seal rings.</li> <li>• When you open the door, the warm air enters in refrigerator. When this air is cooled down it occupies less volume and creates a vacuum effect. If it is difficult to open wait 5 minutes then check.</li> </ul>
<b>THE ICE MAKER DOES NOT WORK</b>	<ul style="list-style-type: none"> <li>• The ice maker is off.</li> <li>• The water supply is down or not plugged.</li> <li>• The freezer temperature is warm.</li> <li>• The ice cubes turn off the ice maker.</li> </ul>	<ul style="list-style-type: none"> <li>• Turn the ice maker to the position on (I).</li> <li>• Read the section <b>Connecting the Water Line</b>.</li> <li>• Wait 24 hrs for the freezer to reach its ideal temperature.</li> <li>• Hand level the ice cubes.</li> </ul>
<b>THE TEMPERATURE IS TOO HOT OR THERE'S HUMIDITY FORMED INSIDE THE REFRIGERATOR</b>	<ul style="list-style-type: none"> <li>• The air vents are blocked. The cool air flows from freezer to the refrigerator and returns thru the vents that dive this section.</li> <li>• The doors open very easily.</li> <li>• The refrigerator control has not been adjusted for the room conditions.</li> <li>• A large amount of food is just been placed inside the refrigerator.</li> <li>• The food has not been well packed in each bin.</li> <li>• The doors haven't been closed correctly.</li> <li>• The weather is humid.</li> <li>• The auto-defrosting cycle is over.</li> </ul>	<ul style="list-style-type: none"> <li>• With your hand find the vents and move and package that might be blocking the air flow. See the <b>Multi Flow</b> Section.</li> <li>• When the doors are opened the warm and humid air enters. To keep your refrigerator cool, take what you need once and keep your food organized to make it easy to find. Close the door a soon as you can.</li> <li>• Wait 24 hours to stabilize the temperature. If the temperature is cold or hot, move the control until the desire temperature is reached.</li> <li>• After adding food to the refrigerator this will warm up. It might take some hours for the refrigerator to reach its temperature.</li> <li>• Wrap the food evenly and before packing anything dry all the bins to avoid humidity. If it is necessary, pack the food according to the section <b>Food Storage Guide</b>.</li> <li>• Read <b>Doors will not Close Correctly</b> section.</li> <li>• In humid weathers, the air contains humidity, which introduces it self if the doors are opened.</li> <li>• It's normal that some water props get formed after the defrosting cycle is completed.</li> </ul>



LG Customer Information Center

1-800-243-0000 USA, Consumer User  
1-888-865-3026 USA, Commercial User  
1-888-542-2623 CANADA

Register your Product Online!

[www.lg.com](http://www.lg.com)