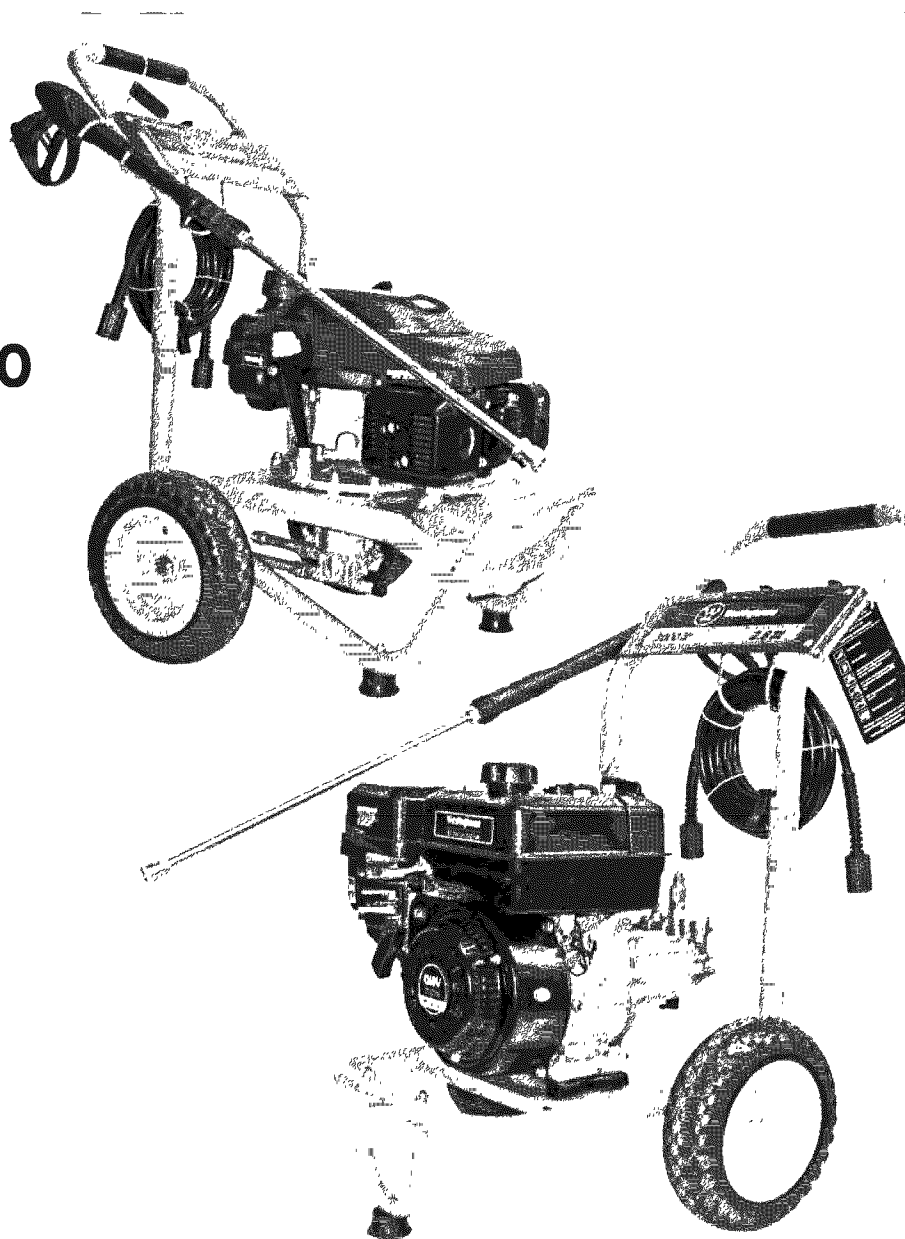
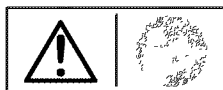


# Pressure Washer Owner's Manual Manual del Propietario

WP2500  
WP2800  
WP3000Z



---

**California  
Proposition 65 Warning**

The engine exhaust from this product contains chemicals known to the state of California to cause cancer, birth defects or other reproductive harm.

**California  
Proposition 65 Warning**

Certain components in this product and its related accessories contain chemicals known to the state of California to cause cancer, birth defects or other reproductive harm. Wash hands after handling.

**DISCLAIMERS:**

All information, illustrations and specifications in this manual are based on the latest information available at the time of publishing. The illustrations used in this manual are intended as representative reference views only. Moreover, because of our continuous product improvement policy, we may modify information, illustrations and/or specifications to explain and/or exemplify a product, service or maintenance improvement. We reserve the right to make any change at any time without notice.

**ALL RIGHTS RESERVED:**

No part of this publication may be reproduced or used in any form by any means – graphic, electronic or mechanical, including photocopying, recording, taping or information storage and retrieval systems – without the written permission of Westpro Power Systems, LLC.

# CONGRATULATIONS ON OWNING A WESTINGHOUSE PRESSURE WASHER



This manual contains important instructions for operating this pressure washer. For your safety and the safety of others, be sure to read this manual thoroughly before operating the pressure washer. Failure to properly follow all instructions and precautions can cause you and others to be seriously hurt or killed.

## For Your Records

Date of Purchase: \_\_\_\_\_ Pressure Washer Model Number: \_\_\_\_\_

Purchased from Store/Dealer: \_\_\_\_\_ Pressure Washer Serial Number: \_\_\_\_\_

**Purchase Receipt:** (retain your purchase receipt to ensure trouble-free warranty coverage)

## Product Registration

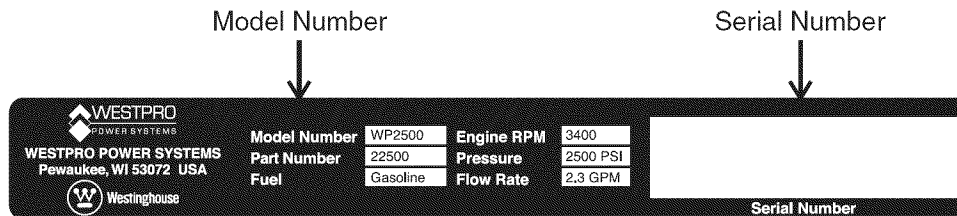
To ensure trouble-free warranty coverage, it is important you register your Westinghouse pressure washer. You can register your pressure washer by either:

1. Filling in the product registration form below and mailing to:

Product Registration  
 Westpro Power Systems, LLC  
 W237 N2889 Woodgate Road, Unit B  
 Pewaukee, WI 53072

2. Registering your product online at [www.westpropower.com](http://www.westpropower.com)

To register your pressure washer you will need to locate the following information:



## Product Registration Form

### PERSONAL INFORMATION

First Name: \_\_\_\_\_  
 Last Name: \_\_\_\_\_  
 Street Address: \_\_\_\_\_  
 Street Address: \_\_\_\_\_  
 City, State, ZIP: \_\_\_\_\_  
 Country: \_\_\_\_\_  
 Phone Number: \_\_\_\_\_  
 E-Mail: \_\_\_\_\_

### PRESSURE WASHER INFORMATION

Model Number: \_\_\_\_\_  
 Serial Number: \_\_\_\_\_  
 Date Purchased: \_\_\_\_\_  
 Purchased From: \_\_\_\_\_



# TABLE OF CONTENTS

CONGRATULATIONS ON OWNING A WESTINGHOUSE PRESSURE WASHER .....	3
For Your Records .....	3
Product Registration .....	3
Product Registration Form .....	3
<b>SAFETY .....</b>	<b>7</b>
SAFETY DEFINITIONS .....	7
SAFETY SYMBOL DEFINITIONS .....	7
GENERAL SAFETY RULES .....	8
SAFETY LABELS AND DECALS .....	10
WP2500 .....	10
WP2800 .....	11
WP3000Z .....	12
<b>UNPACKING .....</b>	<b>13</b>
UNPACKING THE PRESSURE WASHER .....	13
COMPONENTS .....	13
<b>ASSEMBLY .....</b>	<b>15</b>
ASSEMBLY – WP2500 AND WP2800 .....	15
ASSEMBLY – WP3000Z .....	18
<b>FEATURES .....</b>	<b>22</b>
GENERAL PRESSURE WASHER FEATURES .....	22
WP2500 and WP2800 .....	22
WP2500 and WP2800 .....	23
WP3000Z .....	24
WP3000Z .....	25
<b>OPERATION .....</b>	<b>26</b>
BEFORE STARTING THE PRESSURE WASHER .....	26
ADDING / CHECKING ENGINE FLUIDS AND FUEL .....	26
Checking and / or Adding Engine Oil .....	26
Adding Gasoline to the Fuel Tank .....	27
CONNECTING THE WATER SUPPLY .....	27
STARTING THE PRESSURE WASHER – WP2500 AND WP2800 .....	28
Stopping the Pressure Washer .....	30
STARTING THE PRESSURE WASHER – WP3000Z .....	30
Stopping the Pressure Washer .....	32
SELECTING NOZZLES .....	33
Changing the Nozzle .....	34
SPRAYING TIPS .....	34
SPRAYING SOAP .....	34
RINSING .....	35
CLEANING SOAP SIPHON HOSE .....	35
<b>MAINTENANCE .....</b>	<b>36</b>
MAINTENANCE .....	36
Maintenance Schedule .....	36
ENGINE OIL MAINTENANCE – WP2500 AND WP2800 .....	37
Engine Oil Specification .....	37
Checking Engine Oil .....	37
Adding Engine Oil .....	38
Changing Engine Oil .....	38
ENGINE OIL MAINTENANCE – WP3000Z .....	39
Engine Oil Specification .....	39
Checking Engine Oil .....	39
Adding Engine Oil .....	40
Changing Engine Oil .....	40
AIR FILTER MAINTENANCE – WP2500 AND WP2800 .....	40
Cleaning the Air Filter .....	40
AIR FILTER MAINTENANCE – WP3000Z .....	42
SPARK PLUG MAINTENANCE .....	43

# TABLE OF CONTENTS

---

PRESSURE WASHER COMPONENTS .....	44
Water Filter Screen .....	44
High-Pressure Hose and Spray Gun .....	45
High-Pressure Hose .....	45
Spray Gun .....	45
Soap Siphon Hose .....	45
Nozzle .....	45
AFTER EACH USE .....	45
LONG-TERM STORAGE .....	46
Storage Procedure for 1 – 3 Months .....	46
Storage Procedure for Greater Than 3 Months .....	46
WINTER STORAGE .....	46
Remove and Install the Pump – WP2500 and WP2800 .....	46
Remove and Install the Pump – WP3000Z .....	47
<b>TROUBLESHOOTING .....</b>	<b>48</b>
TROUBLESHOOTING .....	48
<b>WARRANTY .....</b>	<b>50</b>
WESTPRO POWER SYSTEMS “THREE YEAR” LIMITED WARRANTY .....	50
WESTPRO’S RESPONSIBILITY .....	50
OWNER’S RESPONSIBILITY .....	50
PRODUCT WARRANTY APPLICATIONS AND PRODUCT WARRANTY PERIODS .....	50
CONSUMER APPLICATION .....	50
COMMERCIAL APPLICATION .....	50
EXCLUSIONS .....	51
DISCLAIMER OF IMPLIED WARRANTIES .....	51
<b>EMISSIONS CONTROL WARRANTY .....</b>	<b>52</b>
FEDERAL AND/OR CALIFORNIA EMISSION CONTROL WARRANTY STATEMENT .....	52
YOUR WARRANTY RIGHTS AND OBLIGATIONS .....	52
MANUFACTURER’S WARRANTY COVERAGE: .....	52
OWNER’S WARRANTY RESPONSIBILITIES: .....	52
DEFECTS WARRANTY REQUIREMENTS .....	52
WARRANTED PARTS: .....	53
QUESTIONS: .....	54

## SAFETY DEFINITIONS

The words DANGER, WARNING, CAUTION and NOTICE are used throughout this manual to highlight important information. Be certain that the meanings of these alerts are known to all who work on or near the equipment.



This safety alert symbol appears with most safety statements. It means attention, become alert, your safety is involved! Please read and abide by the message that follows the safety alert symbol.



### DANGER

Indicates a hazardous situation which, if not avoided, *will* result in death or serious injury.



### WARNING

Indicates a hazardous situation which, if not avoided, *could* result in death or serious injury.



### CAUTION

Indicates a hazardous situation which, if not avoided, *could* result in minor or moderate injury.

### NOTICE

Indicates a situation which can cause damage to the pressure washer, personal property and/or the environment, or cause the equipment to operate improperly.

**NOTE:** *Indicates a procedure, practice or condition that should be followed in order for the pressure washer to function in the manner intended.*

## SAFETY SYMBOL DEFINITIONS

Symbol	Description
	Safety Alert Symbol
	Asphyxiation Hazard
	Burn Hazard (Chemical)

Symbol	Description
	Burn Hazard
	Burst/Pressure Hazard
	Don't leave tools in the area
	Electrical Shock Hazard
	Explosion Hazard
	Fall Hazard
	Fire Hazard
	High-Pressure Hazard
	Lifting Hazard
	Pinch-Point Hazard
	Read Manufacturer's Instructions
	Read Safety Messages Before Proceeding
	Wear Personal Protective Equipment (PPE)

# SAFETY

## GENERAL SAFETY RULES

### DANGER



**NEVER** operate the pressure washer in an enclosed area. Engine exhaust contains carbon monoxide. Only operate the pressure washer outside and away from windows, doors and vents.

### WARNING



Gasoline and gasoline vapors are extremely flammable and explosive under certain conditions.



- **ALWAYS** refuel the pressure washer outdoors, in a well-ventilated area.
- **NEVER** remove the fuel cap with the engine running.
- **NEVER** refuel the pressure washer while the engine is running. Always turn engine off and allow the pressure washer to cool before refueling.
- Only fill fuel tank with gasoline.
- Keep sparks, open flames or other form of ignition (such as match, cigarette, static electric source) away when refueling.
- **NEVER** overfill the fuel tank. Leave room for fuel to expand. Overfilling the fuel tank can result in a sudden overflow of gasoline and result in spilled gasoline coming in contact with **HOT** surfaces. Spilled fuel can ignite. If fuel is spilled on the pressure washer, wipe up any spills immediately. Dispose of rag properly. Allow area of spilled fuel to dry before operating the pressure washer.
- Wear eye protection while refueling.
- **NEVER** use gasoline as a cleaning agent.
- Store any containers containing gasoline in a well-ventilated area, away from any combustibles or source of ignition.
- Check for fuel leaks after refueling. Never operate the engine if a fuel leak is discovered.

### WARNING



This equipment produces a stream of water with enough high pressure to penetrate skin and its underlying tissues, which could result in amputation or other serious injury. Spray gun traps high-pressure water, even when engine is stopped and water is disconnected. Leaks caused by loose fittings or worn or damaged hoses can result in injection injuries. **DO NOT TREAT FLUID INJECTION AS A SIMPLE CUT!** See a physician immediately!

- **NEVER** aim spray gun at people, animals or plants. Direct spray away from self and others.
- **NEVER** place hands in front of nozzle.
- **ALWAYS** point spray gun in safe direction while spraying and when relieving retained high pressure after stopping engine.
- **DO NOT** allow **CHILDREN** to operate pressure washer.
- **NEVER** leave spray gun unattended while machine is running.
- **NEVER** secure spray gun in open position.
- **DO NOT** twist nozzle while spraying.
- **NEVER** repair a high-pressure hose. **ALWAYS** replace it.
- **NEVER** repair leaking connections with sealant of any kind. **ALWAYS** use factory-recommended repair parts.
- **NEVER** hold onto the hose or fittings during operation.
- **DO NOT** allow high-pressure hose to contact muffler or other extremely hot surfaces.
- **ALWAYS** be certain spray gun, nozzles and hoses are correctly attached and in working order.
- **NEVER** use spray gun if trigger lock is not in working order.
- **ALWAYS** use spray gun, hoses and connections rated for pressure higher than your pressure washer's psi.
- **NEVER** attach or remove spray gun, nozzles or hoses while system is pressurized.



## WARNING

- NEVER modify spray equipment.
- ALWAYS wear protective clothing to protect eyes and skin from contact with sprayed materials.



NEVER aim spray in the direction of power source. Contact with power source can cause electric shock or burn.



Unexpected kickback while spraying can cause you to fall.

- Use of pressure washer can create slippery surfaces and puddles. The operating area of this equipment should have adequate drainage to reduce the possibility of a fall due to slippery surfaces.
- Be extremely careful if necessary to use the pressure washer from a ladder, scaffolding or any other similar location.
- Use both hands to firmly grasp the spray gun while in use to avoid injury from high-pressure kickback.



NEVER use acids, toxic or corrosive chemicals, poisons, insecticides, or any kind of flammable solvent with this equipment. Only use detergents, cleaners and degreasers recommended for use in this pressure washer.



ALWAYS wear chemical splash safety goggles that comply with ANSI Z87.1 when operating or in the vicinity of this equipment.



ALWAYS remove any tools or other service equipment used during maintenance from the pressure washer before operating.

## NOTICE

NEVER operate pressure washer with damaged or missing parts.

NEVER modify any feature or component of pressure washer.

NEVER spray at glass when using the high-pressure nozzle (red). High-pressure spray may damage fragile items including glass.

DO NOT exceed rated pressure when operating pressure washer.

NEVER move pressure washer by pulling on any hoses. Always use handle to move pressure washer.

Check components for ice forming on components when operating in cold weather.

Remove the protective shipping caps from the pump's water inlet and outlet.

Be sure the water supply is connected and turned on before starting the engine. Damage to the pump could occur and will void the warranty.

Water supply must deliver a minimum of 3.8 gal (14.3 L) per minute and at least 30 psi (2 bar). Do not siphon standing water for the water supply. Water temperature must not exceed 100°F (37.7°C).

DO NOT install a one-way valve, vacuum breaker or check valve at the pump's water inlet. Installing one of these devices at the pump's water inlet could cause damage to the pump and will void the warranty. Allow at least 10 feet (3 m) of unrestricted hose length between the pump's water inlet and a one-way valve, vacuum breaker or check valve.

# SAFETY

## SAFETY LABELS AND DECALS

WP2500

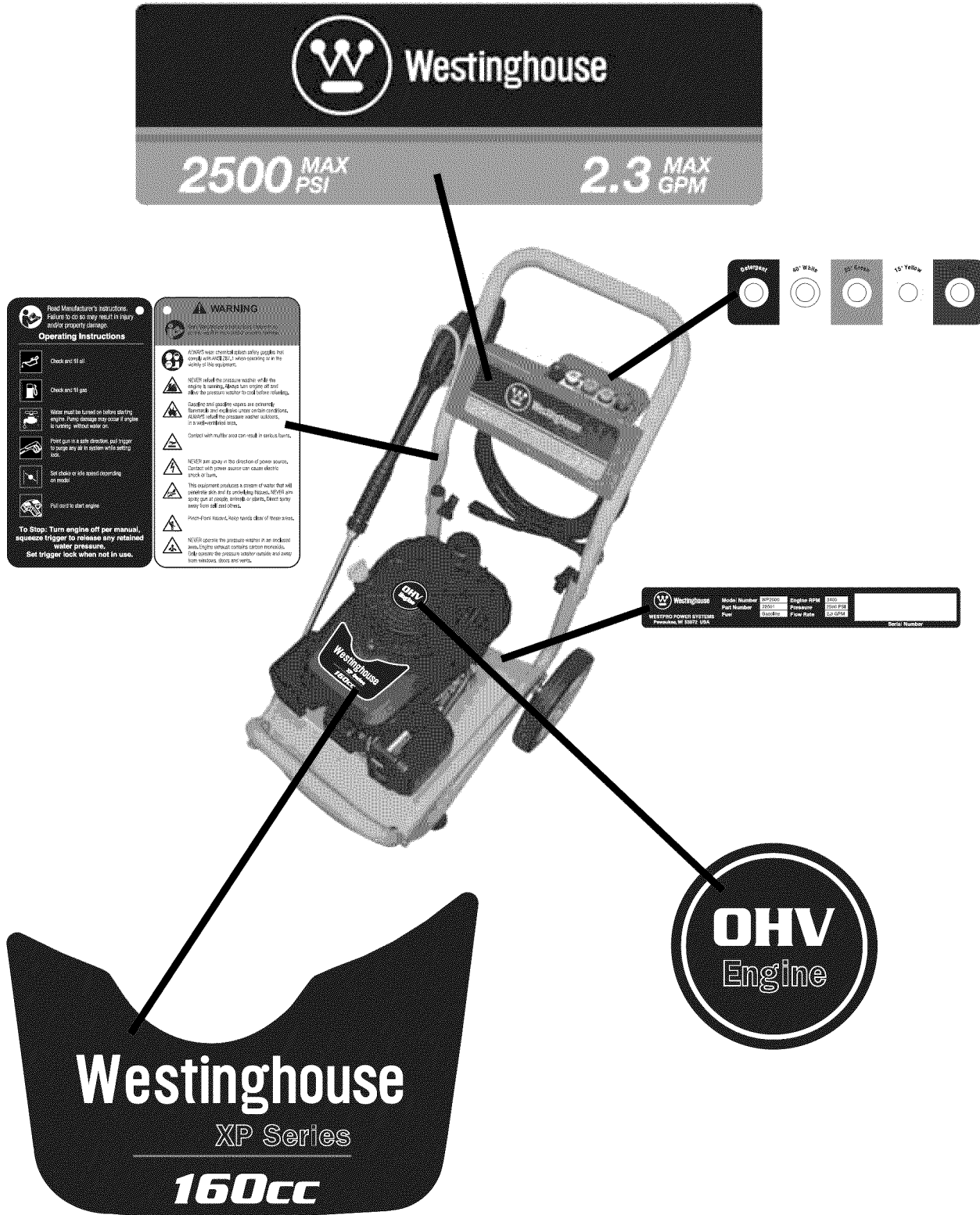


Figure 1



## WP2800

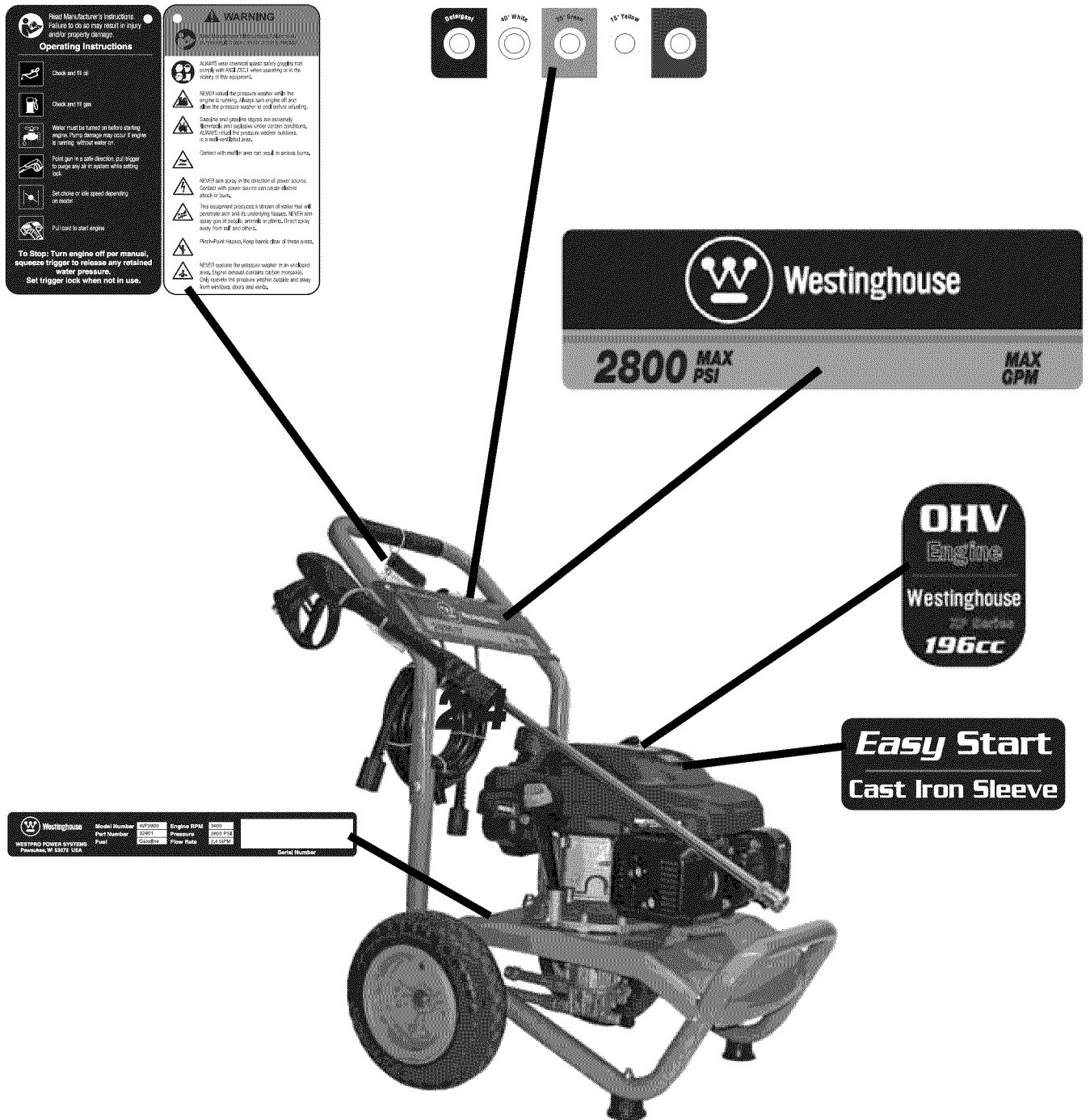


Figure 2

# SAFETY

WP3000Z



Westinghouse

---

3000 MAX PSI
2.8 MAX GPM

Westinghouse  
 GH Series Engines



**Operating Instructions**

- Check and fill oil.
- Check and fill gas.
- Water must be turned on before starting engine. Pump discharge area clear if engine is running without water on.
- Point gun in a safe direction and trigger to purge any air in system while setting tool.
- Get choke or idle speed depending on mode.
- Pull cord to start engine.

**To Stop:** Turn engine off per manual, squeeze trigger to release any retained water pressure. Set trigger lock when not in use.

**WARNING**



- ALWAYS wear chemical safety goggles that comply with ANSI Z87.1 when operating or in the vicinity of the equipment.
- NEVER adjust the pressure washer while the engine is running. Always turn engine off and allow the pressure washer to cool before re-assembly.
- Goodly and gently for repairs are advised. Do not use force to disassemble or reassemble. In a well-ventilated area.
- Contact with multiple areas can result in serious burns.
- NEVER aim spray in the direction of power source. Caution with power source can cause electric shock or fire.
- This equipment produces a stream of water that will penetrate skin and/or cause injury. NEVER aim spray gun at people, animals or gloves. Direct spray away from self and others.
- Protect your skin. Keep hands clear of these areas.
- NEVER operate the pressure washer in an unground area. High voltages contain carbon monoxide. Call electrician to ensure proper wiring. Unplug and disconnect from power source before any work.

OHV  
 Engine  
208cc

Westinghouse WESTPRO POWER SYSTEMS Pewaukee, WI 53072 USA	Model Number	WP3000Z	Engine RPM	3400	
	Part Number	23002	Pressure	3000 PSI	
Fuel	Gasoline	Flow Rate	2.8 GPM	Serial Number	

Figure 3

## UNPACKING THE PRESSURE WASHER

⚠ CAUTION	
	Always have assistance when lifting the pressure washer. The pressure washer is heavy; lifting it could cause bodily harm.
	Avoid cutting on or near staples to prevent personal injury.

The following tools are required:

- Box cutter or similar device
- 8 mm wrench
- 17 mm wrench (WP2500)
- 13 mm wrench (WP3000Z)

1. Carefully cut the packing tape on top of the carton.
2. Fold back top flaps to reveal the owner's manual. Remove owner's manual and save it for reference.
3. Carefully cut two sides of the carton to remove the pressure washer.

## COMPONENTS

Verify the contents against the list below. If any parts are missing, please locate an authorized Westinghouse dealer at [www.westpropower.com](http://www.westpropower.com) or call 1-855-WHHELP1 (1-855-944-3571).

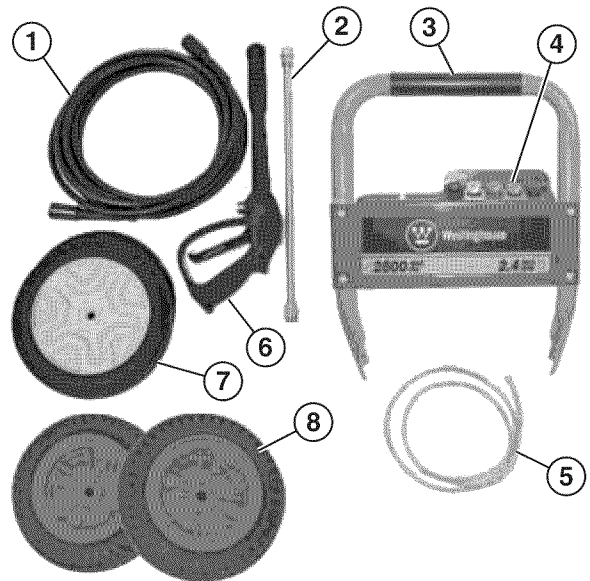


Figure 4 – Unpacking

- |                            |                                   |
|----------------------------|-----------------------------------|
| 1 - High-Pressure Hose (1) | 5 - Soap Hose (1)                 |
| 2 - Spray Wand (1)         | 6 - Spray Gun (1)                 |
| 3 - Upper Handle (1)       | 7 - Wheels (2) WP2500             |
| 4 - Nozzles (5)            | 8 - Wheels (2) WP2800 and WP3000Z |

**NOTE:** A 0.6-liter bottle of SAE 10W30 oil is also included. Soap reservoir is not included.

# UNPACKING

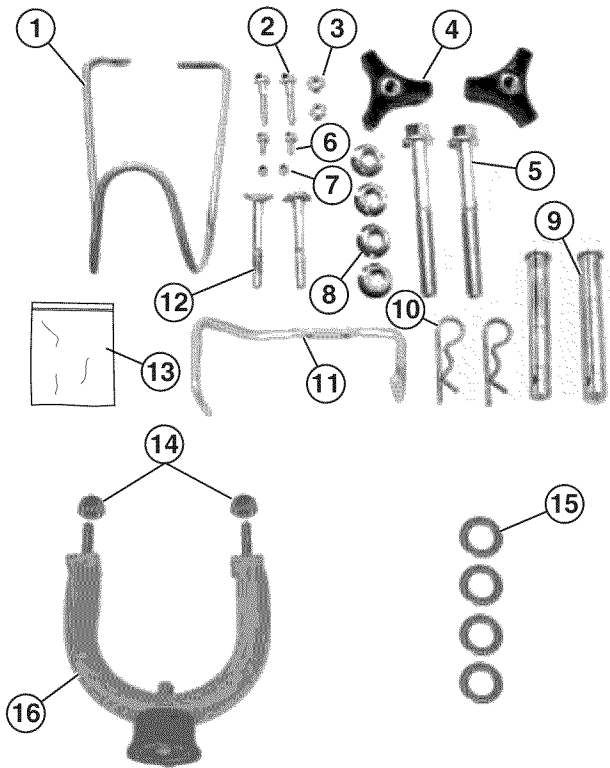


Figure 5 – Hardware

- |  |  |
|--|--|
| 1 - Hose Bracket (1)   | 10 - Wheel Axle Lock Pin (2)<br>WP2800 and WP3000Z                       |
| 2 - Spray Gun Bracket Bolts<br>M6 x 45 mm (2)                  | 11 - Spray Gun Bracket   |
| 3 - Spray Gun Bracket Nuts<br>M6 (2)                           | 12 - Upper Handle Bolts (2)  |
| 4 - Handle Knobs (2)   | 13 - Spare Parts:<br>High-Pressure Hose O-Rings (2)<br>Inlet Screens (2) |
| 5 - Wheel Axle Flange Bolts M12 x<br>105 mm (2)<br>WP2500      | 14 - Nuts M8 (2)<br>WP3000Z  |
| 6 - Hose Bracket Bolts<br>M5 x 10 mm (2)                       | 15 - Axle Washers (4)<br>WP2800 and WP3000Z                              |
| 7 - Hose Bracket Nuts<br>M5 (2)                                | 16 - Front Support<br>WP3000Z  |
| 8 - Serrated Flange Nut M12 (4)<br>WP2500                      |  |
| 9 - Wheel Axle Pin<br>16 mm x 105 mm (2)<br>WP2800 and WP3000Z |  |

## ASSEMBLY – WP2500 AND WP2800



Before assembling the pressure washer, review *Safety on page 7* and the following safety messages.

### ⚠ CAUTION



Never lift the pressure washer without assistance. The pressure washer is heavy and lifting without assistance could result in personal injury.



Never use the handles as a lifting point to support the entire weight of the pressure washer. Only use the handles to move the pressure washer by lifting the handles and using the wheels to move the pressure washer.



Use caution when collapsing the handles. Hands and fingers could get caught and pinched.

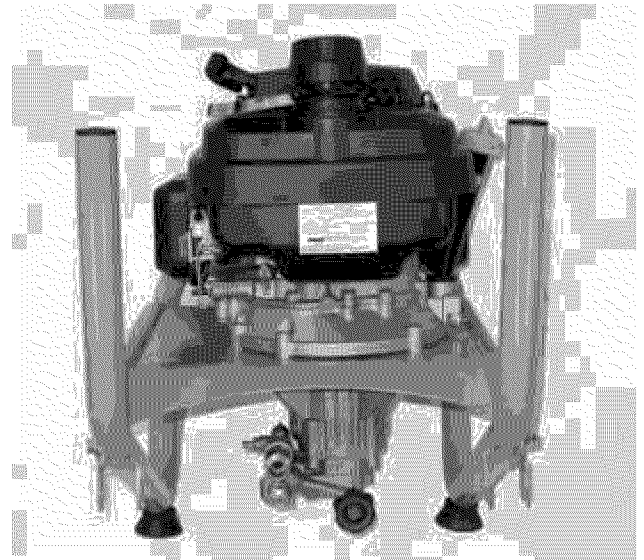
### NOTICE

Assembling the pressure washer will require tipping the unit. Make sure all engine oil and fuel are drained from the unit prior to assembling.

Once assembled, the wheels are not intended for on-road use. The wheels are designed for use on this pressure washer only.

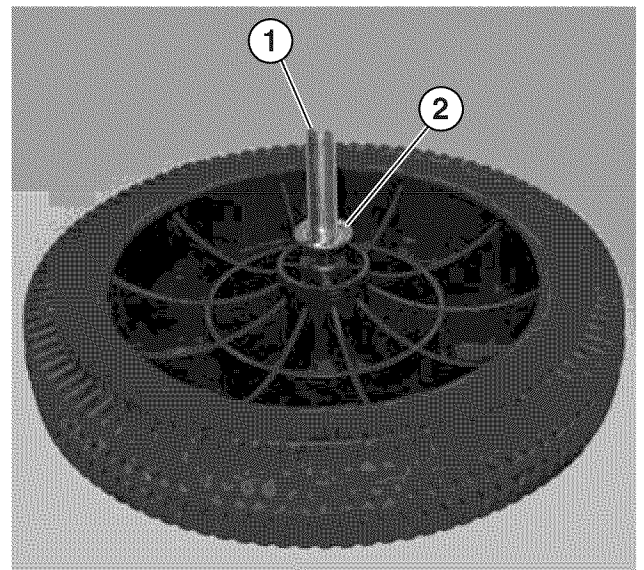
Never tip the pressure washer after it has been fully assembled and filled with oil and fuel.

1. Place pressure washer on a flat surface.
2. Place a piece of cardboard or other soft material to tip the pressure washer onto, to protect the frame paint and prevent the pressure washer from sliding. Tip the pressure washer onto the front as shown in *Figure 6*.



*Figure 6 – Tip the Pressure Washer onto the Front*

3. WP2500 only: Install the M12 x 105 mm wheel axle flange bolt through the wheel (*see Figure 7*).



*Figure 7 – Installing Outside Serrated Flange Nut WP2500*

- |                               |                            |
|-------------------------------|----------------------------|
| 1 - Wheel Axle<br>Flange Bolt | 2 - Serrated Flange<br>Nut |
|-------------------------------|----------------------------|

4. WP2500 only: Thread the M12 serrated flange nut onto the bolt with serrated edges facing away from the wheel. Tighten the nut (*see Figure 7*).

# ASSEMBLY

- WP2500 only: Install the wheel with bolt through the spacer and the frame (see Figure 8).

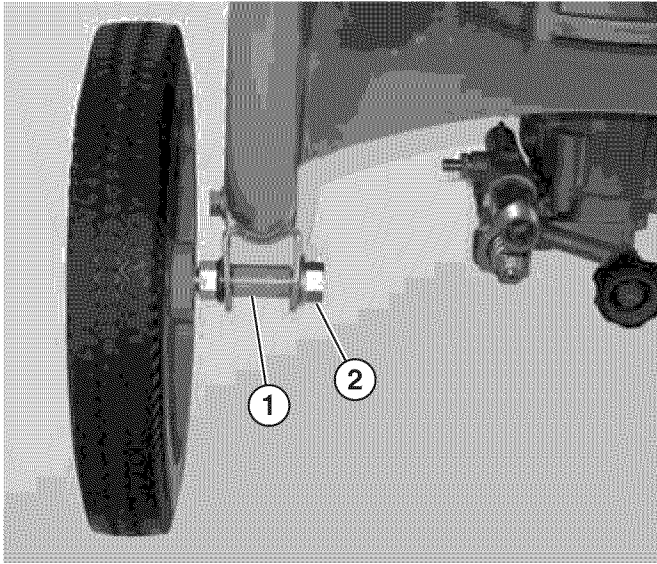


Figure 8 – Assemble Wheels to Frame WP2500

- 1 - Spacer
- 2 - Serrated Flange Nut

- WP2500 only: Install the serrated flange nut and tighten (see Figure 8).
- WP2800 only: Slide the wheel axle washer onto the wheel axle pin (see Figure 9).

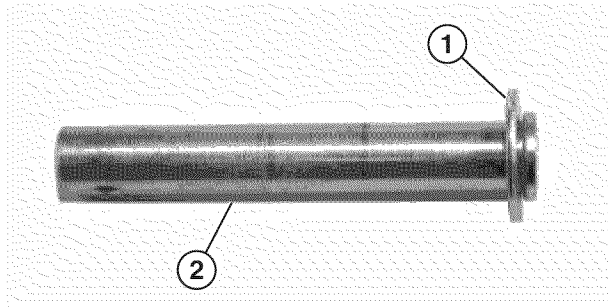


Figure 9 – Installing Wheel Axle Washer WP2800

- 1 - Wheel Axle Washer
- 2 - Wheel Axle Pin

- WP2800 only: Install the axle pin through the axle bracket, and secure with lock pin (see Figure 10).

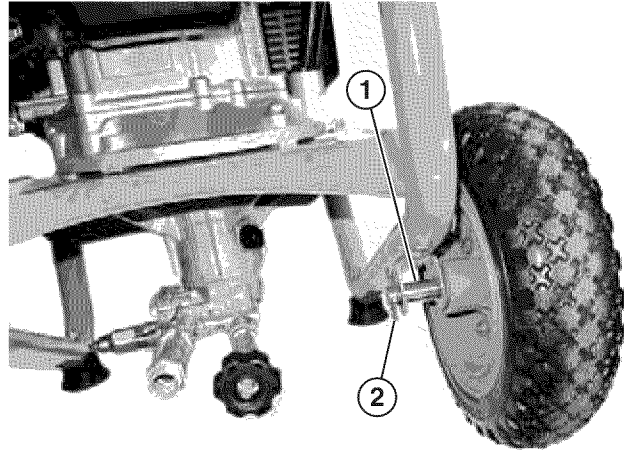


Figure 10 – Installing Wheel Axle

- 1 - Wheel Axle Pin
- 2 - Wheel Axle Lock Pin

- Install the hose bracket to the handle using the M5 bolts and nuts (see Figure 11).

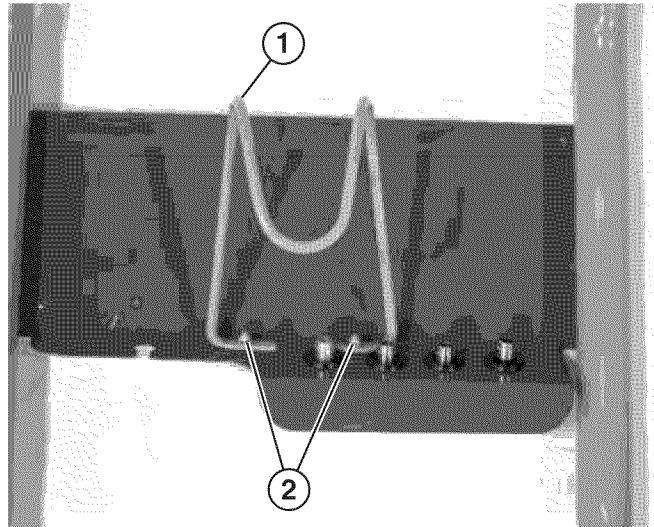


Figure 11 – Installing Hose Bracket

- 1 - Hose Bracket
- 2 - M5 Bolts and Nuts



10. Install the upper handle to the frame using the handle bolts and knobs (see Figure 12).

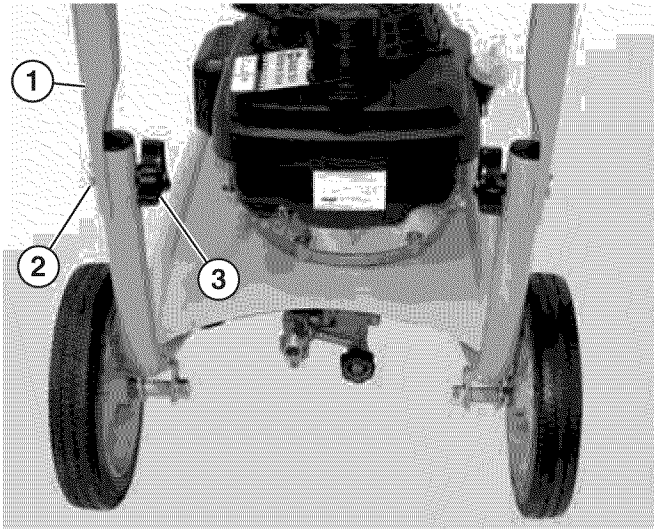


Figure 12 – Installing Upper Handle

- 1 - Upper Handle      3 - Knob  
2 - Handle Bolt

11. Install the spray gun bracket using the M6 bolts and nuts (see Figure 13).

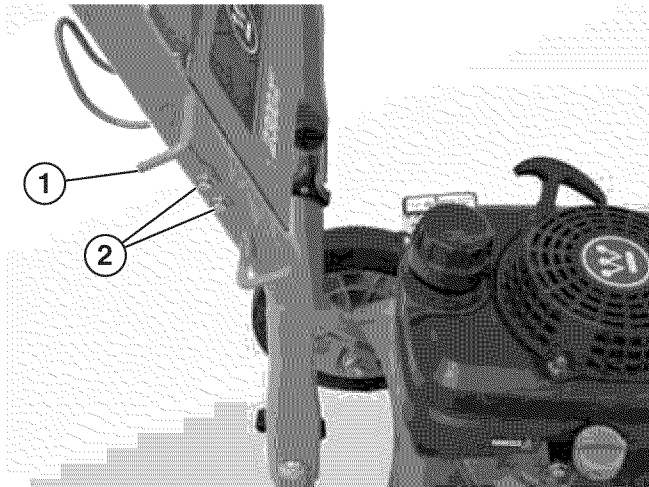


Figure 13 – Installing Spray Gun Bracket

- 1 - Spray Gun Bracket      2 - M6 Bolts and Nuts

12. Connect the wand to the spray gun and turn the fitting counterclockwise to tighten (see Figure 14). Do not overtighten. The fitting only needs to be hand-tight.

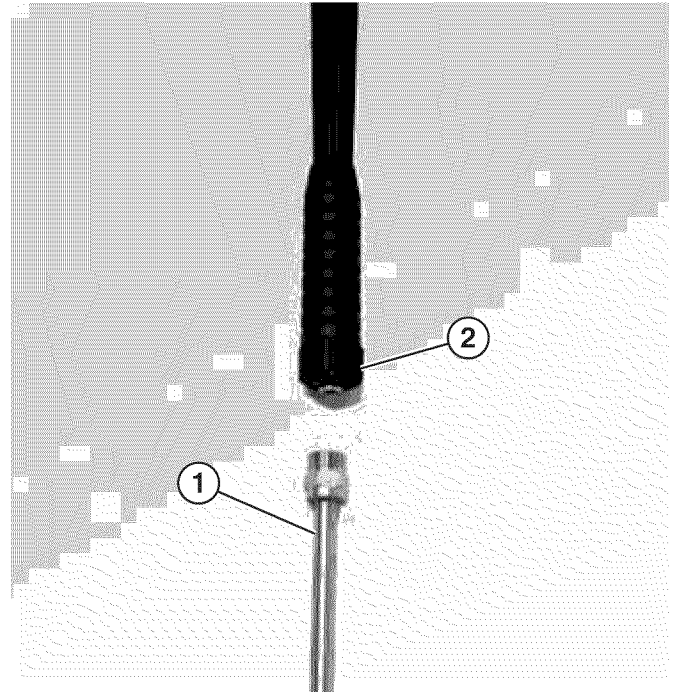


Figure 14 – Connecting Spray Wand

- 1 - Spray Wand      2 - Fitting

13. Inspect the O-rings on both sides of the high-pressure hose. Moisten the O-rings with water (see Figure 15).

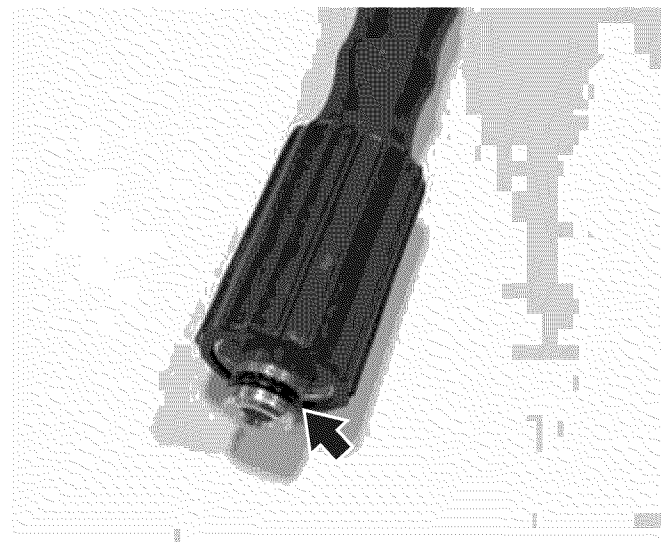


Figure 15 – High-Pressure Hose O-Rings

# ASSEMBLY

14. Connect the high-pressure hose to the pump and tighten the hose fitting (see Figure 16). Do not overtighten. The fitting only needs to be hand-tight.

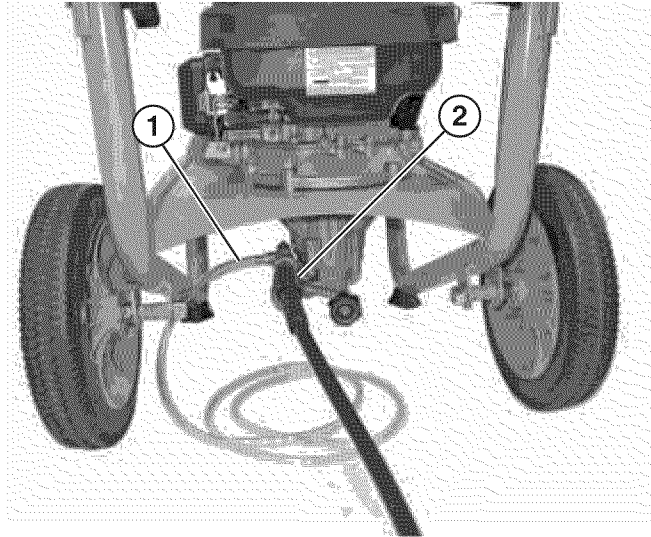


Figure 16 – Installing High-Pressure Hose WP2500 Shown

1 - Soap Hose                      2 - Hose Fitting

15. Connect the soap hose to the barbed fitting if you are going to be using soap (see Figure 16).
16. Flip the trigger lock up to lock the trigger in the **OFF** position (see Figure 17).

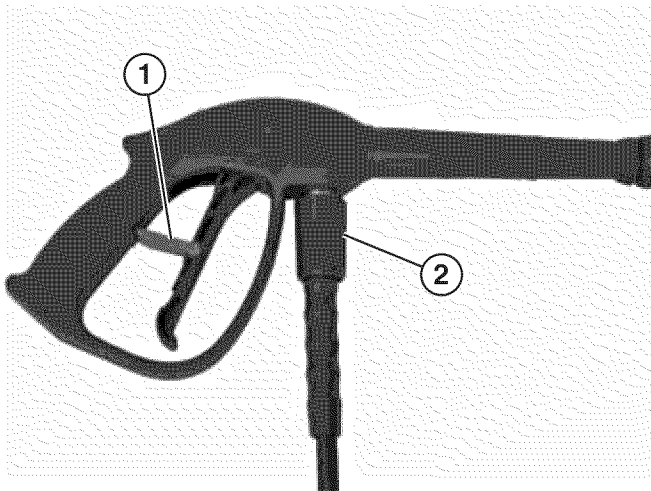


Figure 17 – Trigger Lock in OFF Position

1 - Trigger Lock                      2 - Hose Fitting

17. Install the high-pressure hose to the spray gun and tighten the hose fitting (see Figure 17). Do not overtighten. The fitting only needs to be hand-tight.

## ASSEMBLY – WP3000Z



Before assembling the pressure washer, review *Safety on page 7* and the following safety messages.

### CAUTION



Never lift the pressure washer without assistance. The pressure washer is heavy and lifting without assistance could result in personal injury.



Never use the handles as a lifting point to support the entire weight of the pressure washer. Only use the handles to move the pressure washer by lifting the handles and using the wheels to move the pressure washer.



Use caution when collapsing the handles. Hands and fingers could get caught and pinched.

### NOTICE

Assembling the pressure washer will require tipping the unit. Make sure all engine oil and fuel are drained from the unit prior to assembling.

Once assembled, the wheels are not intended for on-road use. The wheels are designed for use on this pressure washer only.

Never tip the pressure washer after it has been fully assembled and filled with oil and fuel.

1. Place pressure washer on a flat surface.
2. Install the upper handle to the frame using the handle bolts and knobs (see Figure 18).

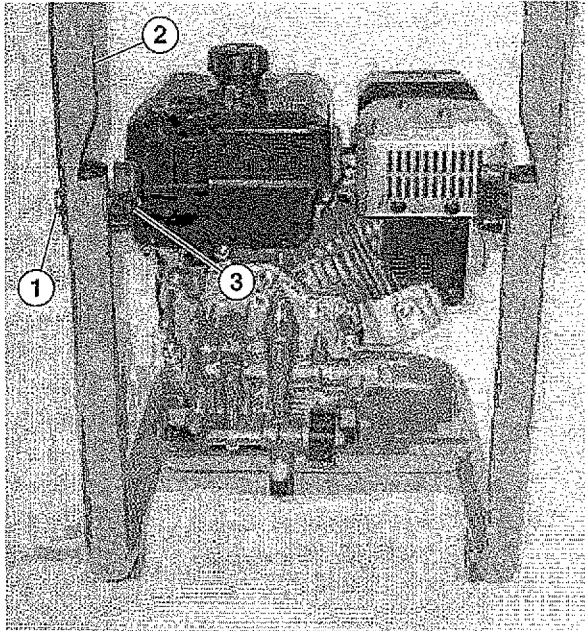


Figure 18 – Installing Upper Handle

- 1 - Handle Bolt
  - 2 - Upper Handle
  - 3 - Knob
3. Slide the wheel axle washer onto the wheel axle pin (see Figure 19).

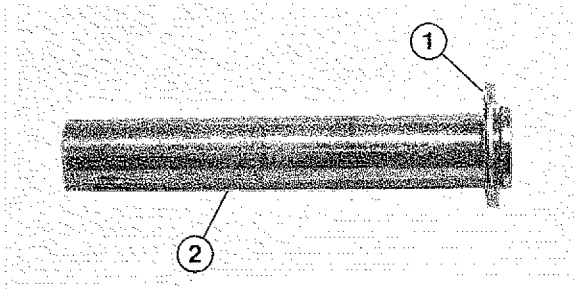


Figure 19 – Installing Wheel Axle Washer

- 1 - Wheel Axle Washer
  - 2 - Wheel Axle Pin
4. Install the pin into the wheel assembly.  
5. Install the pin through the axle mounting holes. Install a washer on the axle pin (see Figure 20).

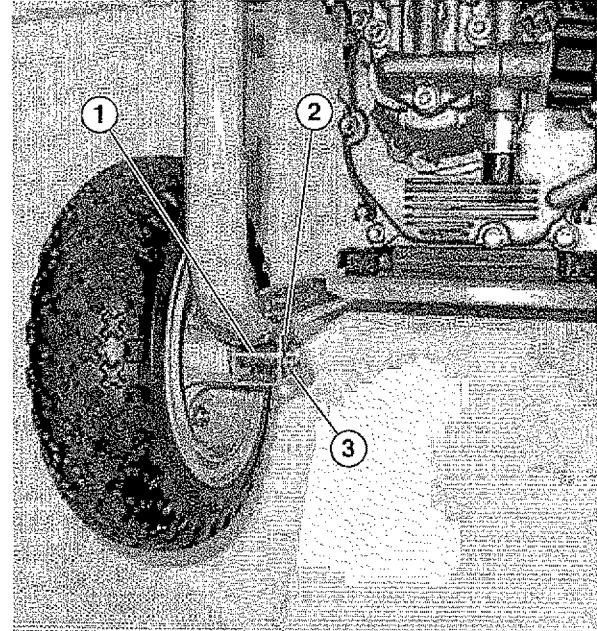


Figure 20 – Installing Wheel Axle Washer

- 1 - Wheel Axle Pin
  - 2 - Wheel Axle Washer
  - 3 - Wheel Axle Lock Pin
6. Secure the wheel axle pin in position with the wheel axle lock pin (see Figure 20).  
7. Install the front support using the two front support nuts (M8). Tighten the nuts securely (see Figure 21).

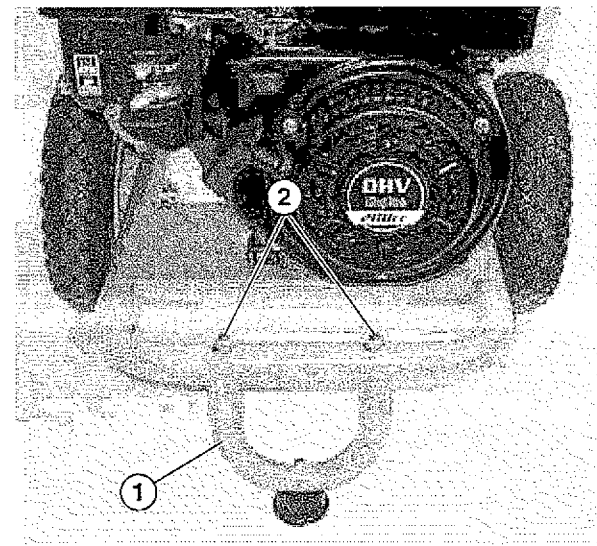


Figure 21 – Installing Front Support

- 1 - Front Support
- 2 - Front Support Nuts (M8)

# ASSEMBLY

8. Install the spray gun bracket using the two spray gun bracket nuts and bolts (M6). Tighten securely (see Figure 22).

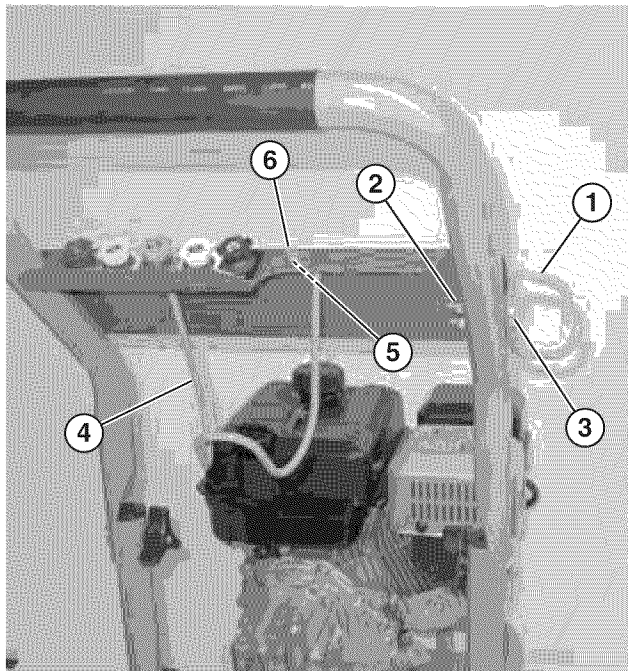


Figure 22 – Installing Spray Gun Bracket and Hose Bracket

- |  |                                     |
|--|-------------------------------------|
| 1 - Spray Gun Bracket                    | 4 - Hose Bracket                    |
| 2 - Spray Gun Bracket Nuts (M6)          | 5 - Hose Bracket Nuts M6            |
| 3 - Spray Gun Bracket Bolts (M6 x 45 mm) | 6 - Hose Bracket Bolts (M6 x 10 mm) |

9. Install the hose bracket using the two hose bracket nuts and bolts (M6). Tighten securely (see Figure 22).

10. Connect the wand to the spray gun and turn the fitting counterclockwise to tighten (see Figure 23). Do not overtighten. The fitting only needs to be hand-tight.

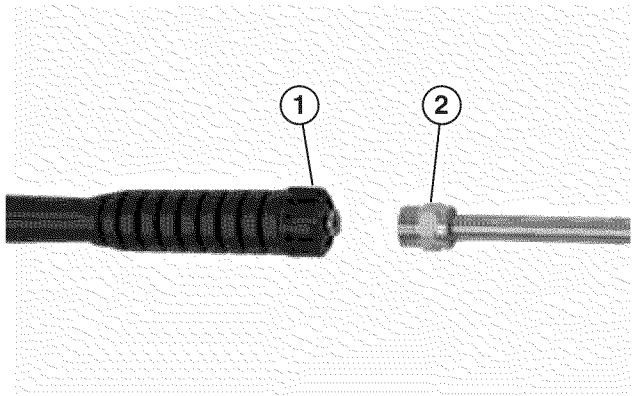


Figure 23 – Connecting Spray Wand

- |             |                |
|-------------|----------------|
| 1 - Fitting | 2 - Spray Wand |
|-------------|----------------|

11. Inspect the O-rings on both sides of the high-pressure hose. Moisten the O-rings with water (see Figure 24).

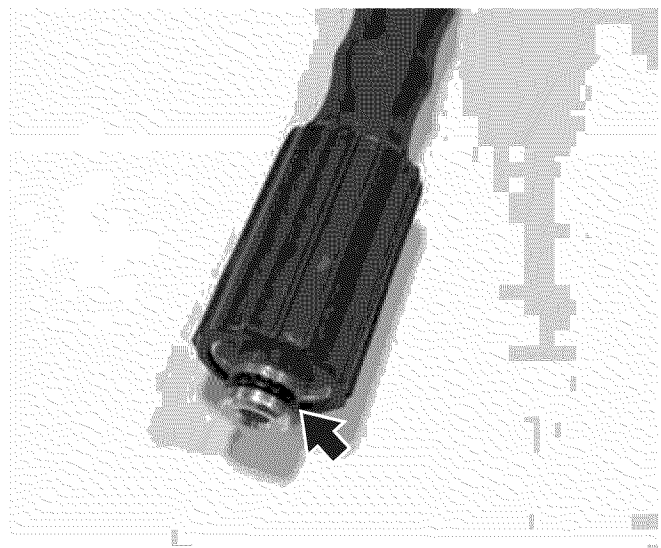


Figure 24 – High-Pressure Hose O-Rings

12. Connect the high-pressure hose to the pump and tighten the hose fitting (see Figure 25). Do not overtighten. The fitting only needs to be hand-tight.

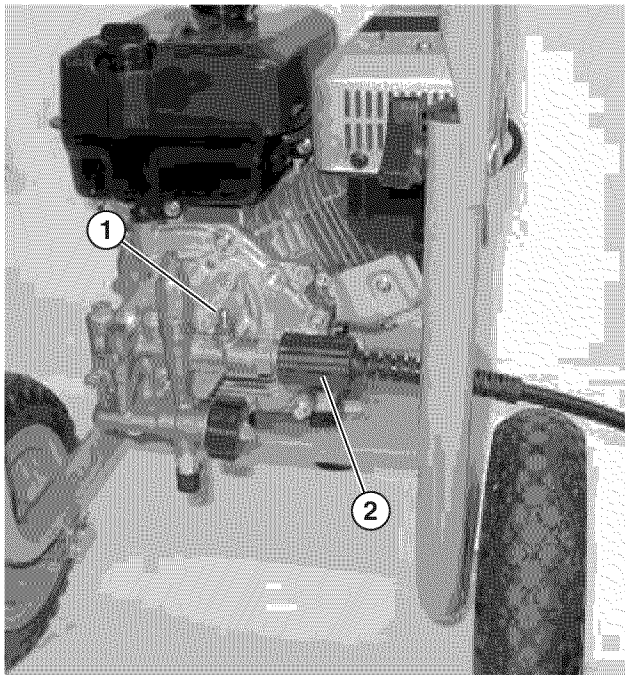


Figure 25 – Installing High-Pressure Hose – WP3000Z

- 1 - Soap Hose Fitting                      2 - Hose Fitting

13. Connect the soap hose to the barbed fitting if you are going to be using soap (see Figure 25).
14. Flip the trigger lock up to lock the trigger in the **OFF** position (see Figure 26).

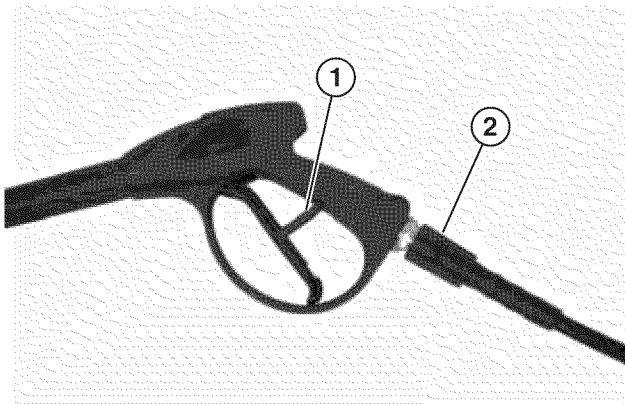


Figure 26 – Trigger Lock in OFF Position

- 1 - Trigger Lock                              2 - Hose Fitting

15. Install the high-pressure hose to the spray gun and tighten the hose fitting (see Figure 26). Do not overtighten. The fitting only needs to be hand-tight.

# FEATURES

## GENERAL PRESSURE WASHER FEATURES

WP2500 and WP2800



Figure 27

- |                    |                                   |
|--------------------|-----------------------------------|
| 1 - Spray Gun      | 5 - Oil Drain Plug                |
| 2 - Nozzle Storage | 6 - Engine Oil Fill Plug/Dipstick |
| 3 - Spark Plug     | 7 - High-Pressure Hose            |
| 4 - Primer Bulb    | 8 - Spray Gun Storage             |

## WP2500 and WP2800

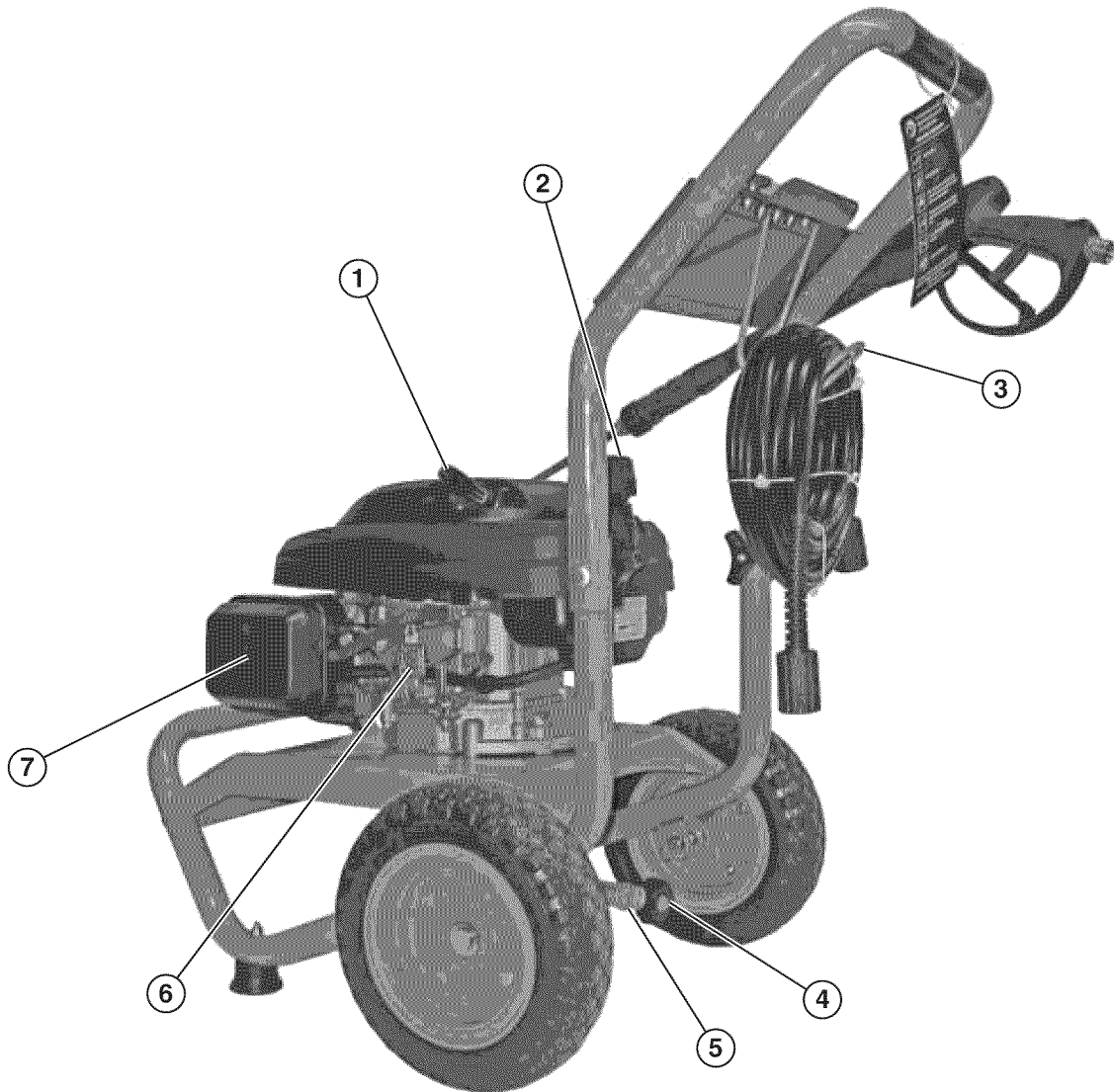


Figure 28

- |                         |                                  |
|-------------------------|----------------------------------|
| 1 - Starter Handle      | 5 - High-Pressure Outlet Fitting |
| 2 - Fuel Cap            | 6 - ON/OFF Switch                |
| 3 - Hose Storage        | 7 - Air Cleaner                  |
| 4 - Water Inlet Fitting |                                  |

# FEATURES

WP3000Z



Figure 29

- |                                   |                        |
|-----------------------------------|------------------------|
| 1 - Air Cleaner                   | 5 - High-Pressure Hose |
| 2 - Fuel Cap                      | 6 - Oil Drain Plug     |
| 3 - Engine Oil Fill Plug/Dipstick | 7 - Fuel Shutoff Lever |
| 4 - Hose Bracket                  | 8 - Choke Lever        |



WP3000Z

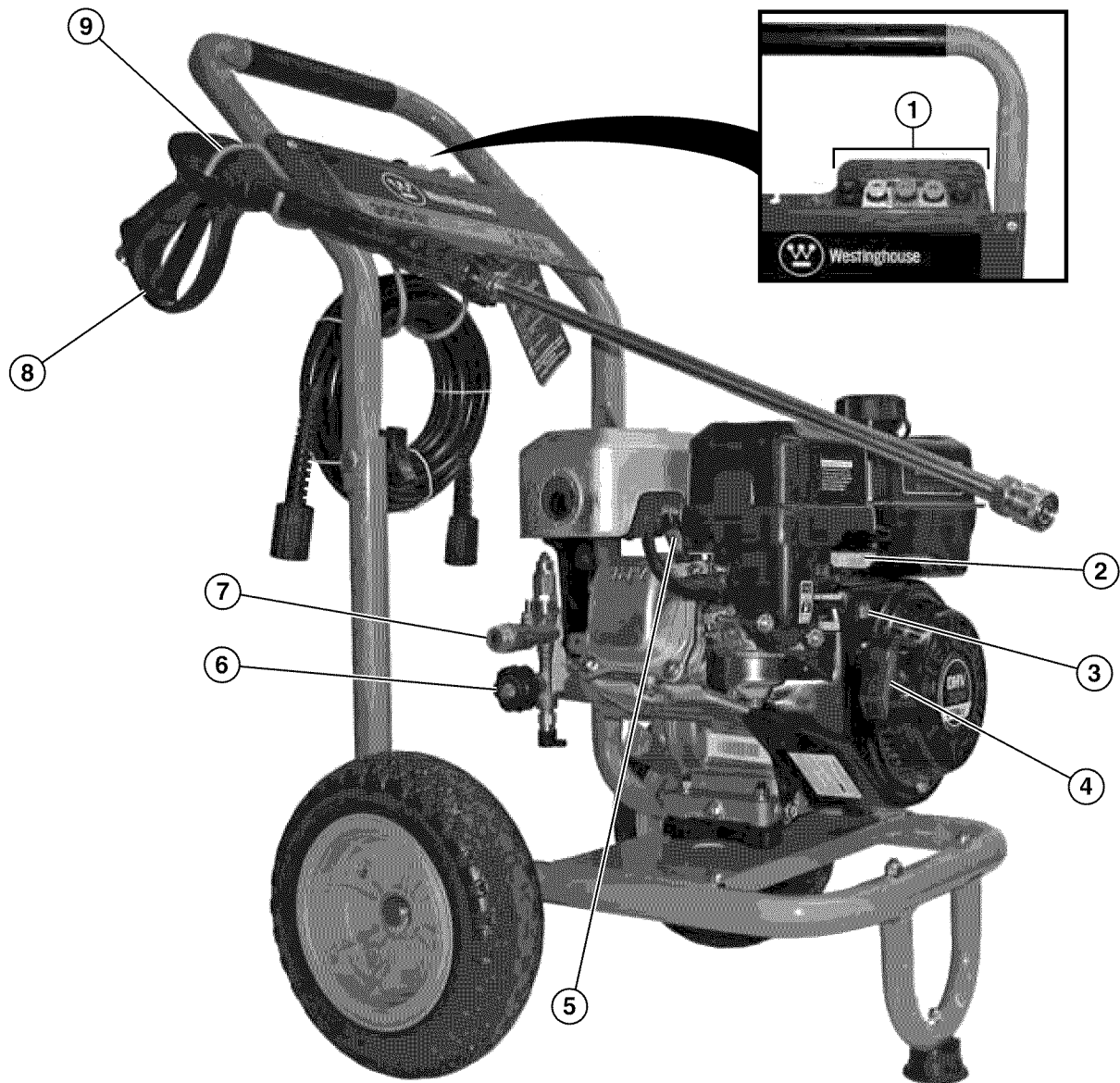


Figure 30

- 1 - Nozzle Storage
- 2 - Throttle Lever
- 3 - ON/OFF Switch
- 4 - Starter Handle
- 5 - Spark Plug
- 6 - Water Inlet Fitting
- 7 - High-Pressure Outlet Fitting
- 8 - Spray Gun
- 9 - Spray Gun Storage

# OPERATION

## BEFORE STARTING THE PRESSURE WASHER



Before starting the pressure washer, review *Safety on page 7*.

**Location Selection** – Before starting the pressure washer, avoid exhaust and location hazards by verifying the following:

- You have selected a location to operate the pressure washer that is outdoors and well ventilated.
- You have selected a location with adequate drainage but still level enough to prevent the pressure washer from tipping over.
- You have selected a location that is at least 5 feet (1.5 m) away from any building, other equipment or combustible material.
- If the pressure washer is located close to a building, make sure it is not located near any windows, doors and/or vents.

### WARNING



Always operate the pressure washer on a surface that will prevent the pressure washer from tipping over. Placing the pressure washer on a surface that may allow the pressure washer to tip over, could cause fuel and oil to spill. Spilled fuel can ignite if it comes in contact with an ignition source such as a very hot surface.

### NOTICE

Operating the pressure washer on a surface with loose material such as sand or grass clippings can cause debris to be ingested by the pressure washer that could:

- Block cooling vents
- Block air intake system

Check the following items before starting the engine:

1. Verify the pressure washer is properly assembled.
2. Check that recommended engine oil has been added to proper level in the engine crankcase.
3. Add recommended fuel to fuel tank.
4. Check for properly tightened hose connections.
5. Check to make sure there are no kinks, cuts or damage to high-pressure hose.
6. Provide a proper water supply at an adequate flow.

## ADDING / CHECKING ENGINE FLUIDS AND FUEL



Before adding/checking engine fluids and fuel, review *Safety on page 7*.

### DANGER



Filling the fuel tank with gasoline while the pressure washer is running can cause gasoline to leak and come in contact with hot surfaces that can ignite the gasoline.

Before starting the pressure washer, always check the level of:

- Engine oil
- Gasoline in the fuel tank

Once the pressure washer is started and the engine gets warm, it is not safe to add gasoline to the fuel tank or engine oil to the engine while the engine is running or the engine and muffler are hot.

## Checking and / or Adding Engine Oil

### WARNING



Internal pressure can build in the engine crankcase while the engine is running. Removing the oil fill plug/dipstick while the engine is hot can cause extremely hot oil to spray out of the crankcase and can severely burn skin. Allow engine oil to cool for several minutes before removing the oil fill plug/dipstick.

The unit as shipped does not contain oil in the engine. You must add engine oil before starting the pressure washer for the first time. Use the entire supplied 0.6-liter container of engine oil. See *Checking Engine Oil on page 37* and *Adding Engine Oil on page 38* for instructions on checking engine oil level and the procedure for adding engine oil.

### NOTICE

The pressure washer does not contain engine oil as shipped. Attempting to start the engine without adding engine oil can permanently damage internal engine components.

## Adding Gasoline to the Fuel Tank

### ⚠ WARNING



Never refuel the pressure washer while the engine is running.



Always turn the engine off and allow the pressure washer to cool before refueling.

**Required Gasoline** – Only use gasoline that meets the following requirements:

- Unleaded gasoline only
- Gasoline with maximum 10% ethanol added
- Gasoline with an 87 octane rating or higher

**Filling the Fuel Tank** – Follow the steps below to fill the fuel tank:

1. Shut off the pressure washer.
2. Allow the pressure washer to cool down so all surface areas of the muffler and engine are cool to the touch.
3. Move the pressure washer to a flat surface.
4. Clean area around the fuel cap.
5. Remove the fuel cap by rotating counterclockwise.
6. Slowly add gasoline into the fuel tank. Be very careful not to overfill the tank. The gasoline level should NOT be higher than the bottom of the filler neck.

### NOTICE

Take care when installing the fuel cap. Threads can be damaged if cap is incorrectly installed.

7. Install the fuel cap by rotating clockwise until you hear a click, indicating the cap is completely installed.

### ⚠ CAUTION



Avoid prolonged skin contact with gasoline. Avoid prolonged breathing of gasoline vapors.

## CONNECTING THE WATER SUPPLY

### NOTICE

Do not start the engine without the water supply connected and turned on. Running the pump without water will damage the pump.

Water supply must deliver a minimum of 3.8 gal (14.3 L) per minute and at least 30 psi (2 bar). Do not siphon standing water for the water supply. Water temperature must not exceed 100°F (37.7°C).

1. Run water through your garden hose to clear out any debris that may have been in the hose.
2. Inspect the water inlet screen to make sure it is in place and free of debris (*see Figure 31*). Do not operate the pressure washer with a missing or damaged inlet screen.

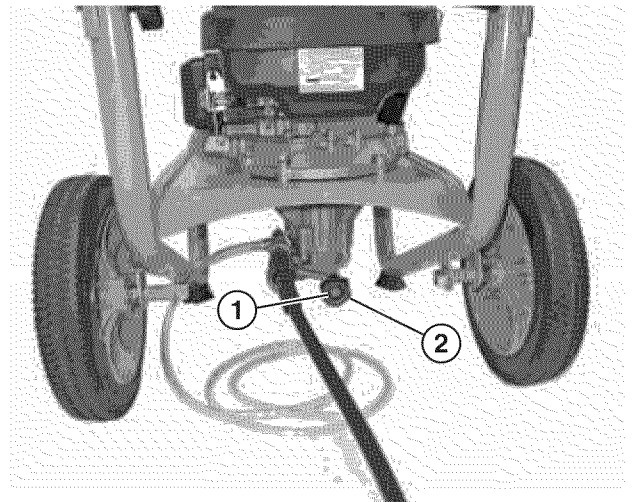


Figure 31 – Water Connection WP2500 Shown

1 - Water Inlet Screen

2 - Water Inlet Fitting

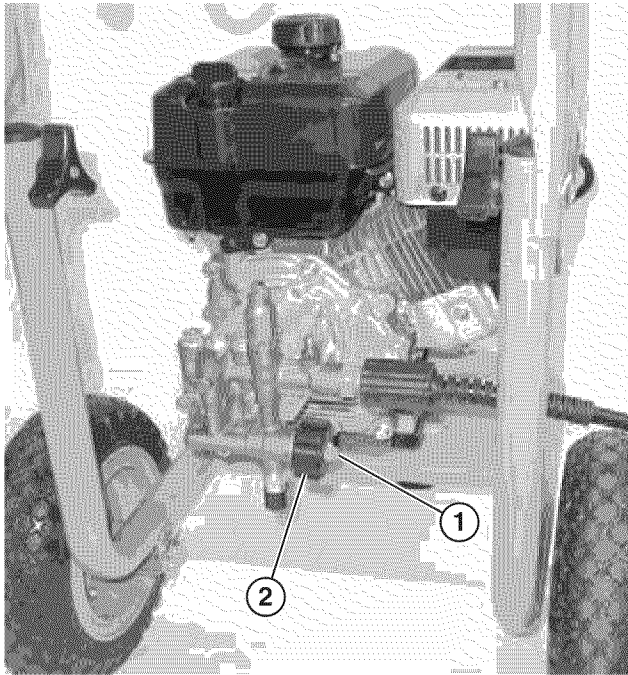


Figure 32 – Water Connection WP3000Z Shown

- 1 - Water Inlet Screen      2 - Water Inlet Fitting

3. Use the shortest hose possible to complete the job at hand. Using a longer hose may affect performance. Connect a garden hose that is not longer than 50 feet (15.2 m) to the water inlet fitting (see Figure 31 and see Figure 32).
4. Tighten the fitting onto the hose.
5. Turn the water on and inspect for leaks.
6. Squeeze the trigger on the gun and allow any air to bleed out of the hoses and the pump before starting the engine.
7. Connect the soap siphon hose to the soap bottle if using soap.

## STARTING THE PRESSURE WASHER – WP2500 AND WP2800



Before starting the pressure washer, review *Safety* on page 7.

Before attempting to start the pressure washer, verify the following:

- The engine is filled with engine oil (see *Checking Engine Oil* on page 37).
- The pressure washer is situated in a proper location (see *Location Selection* on page 26).

### DANGER



Never operate the pressure washer in an enclosed area. Engine exhaust contains carbon monoxide that can kill in minutes. Only operate the pressure washer outside and away from windows, doors and vents.

1. Flip the trigger lock lever up and lock the trigger in the OFF position (see Figure 33).

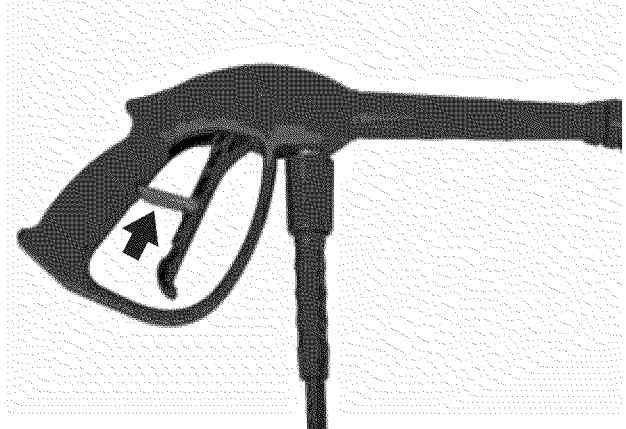


Figure 33 – Trigger Lock Lever

2. Make sure the water supply is turned on.

**NOTE:** The pump is equipped with a thermo valve (see Figure 34 and Figure 35). If the pump is run for an extended period of time without water flowing through it, it could overheat. If the pump gets to a certain temperature, the thermo valve will open and discharge warm water out the valve to allow cold water in to cool the pump.

- Point the thermo valve away from the work area you are washing to avoid being sprayed with warm water.

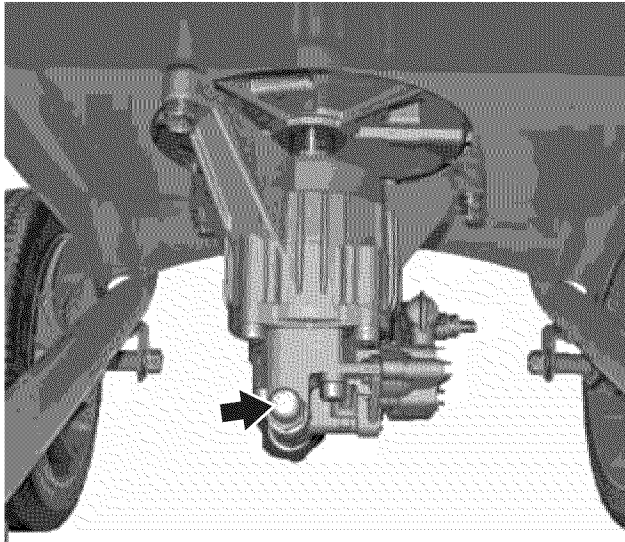


Figure 34 – Pump Thermo Valve WP2500

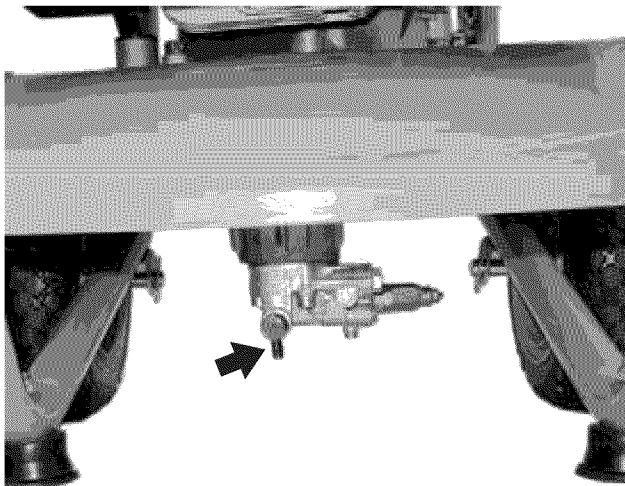


Figure 35 – Pump Thermo Valve WP2800

- Move the engine stop switch down to the **ON (I)** position (see Figure 36).

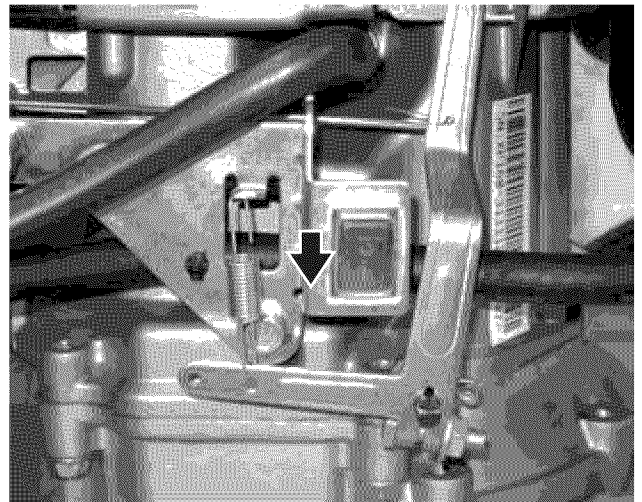


Figure 36 – Engine Stop Switch ON Position

- Press the primer bulb three times (see Figure 37).

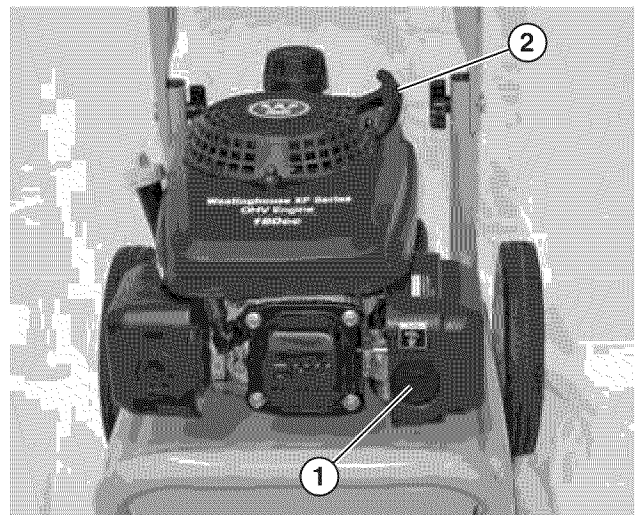


Figure 37 – Starting the Engine

1 - Primer Bulb                      2 - Recoil Handle

- Firmly grasp and pull the recoil handle slowly until you feel increased resistance. At this point, apply a rapid pull on the recoil handle (see Figure 37).

**NOTE:** If the engine starts briefly and then shuts off, squeeze the trigger on the spray gun to relieve the pressure before trying to start the engine again.

- Once the engine starts, allow the engine to warm up slightly before beginning washing.

# OPERATION

## Stopping the Pressure Washer

### Normal Operation

During normal operation, use the following steps to stop your pressure washer:

1. Lock the spray gun trigger lock in the **OFF** position.
2. Move the engine stop switch up to the **OFF (O)** position (see Figure 38).

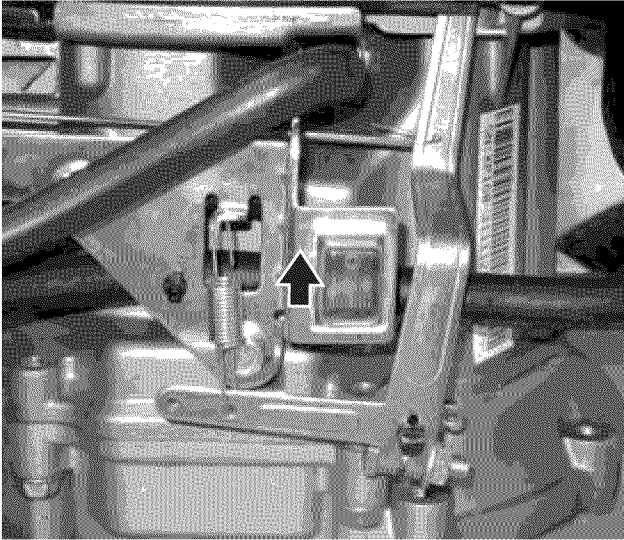


Figure 38 – Engine Stop Switch OFF Position

3. Turn the water supply off.
4. Unlock the spray gun trigger and squeeze the trigger to release any pressure in the hoses and pump.
5. Disconnect the garden hose from the water inlet.

### During an Emergency

If there is an emergency and the pressure washer must be stopped quickly, push the engine control switch to the **OFF (O)** position immediately.

## STARTING THE PRESSURE WASHER – WP3000Z



Before starting the pressure washer, review *Safety on page 7*.

**NOTE:** Pressure washer may walk or move when used on hard surfaces. Be sure the unit is secure during operation.

Before attempting to start the pressure washer, verify the following:

- The engine is filled with engine oil (see *Checking Engine Oil on page 39*).
- The pressure washer is situated in a proper location (see *Location Selection on page 26*).



### DANGER



Never operate the pressure washer in an enclosed area. Engine exhaust contains carbon monoxide that can kill in minutes. Only operate the pressure washer outside and away from windows, doors and vents.

1. Flip the trigger lock lever up and lock the trigger in the **OFF** position (see Figure 39).

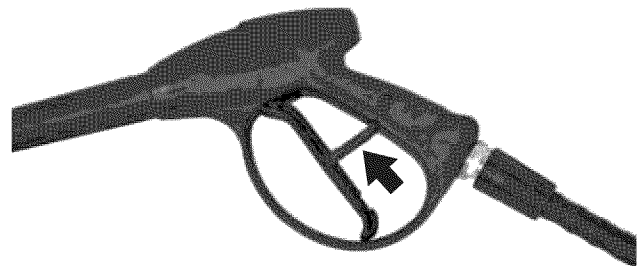


Figure 39 – Trigger Lock Lever

2. Make sure the water supply is turned on.

**NOTE:** The pump is equipped with a thermo valve (see Figure 40). If the pump is run for an extended period of time without water flowing through it, it could overheat. If the pump gets to a certain temperature, the thermo valve will open and discharge warm water out the valve to allow cold water in to cool the pump.

3. Point the thermo valve away from the work area you are washing to avoid being sprayed with warm water.

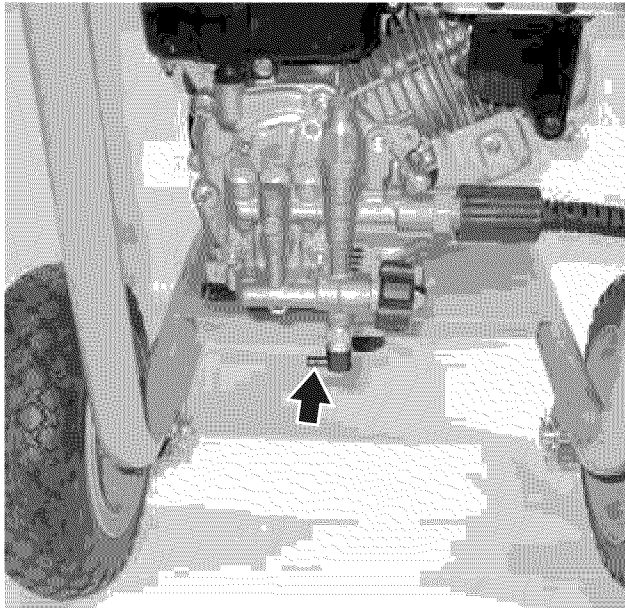


Figure 40 – Pump Thermo Valve – WP3000Z

4. Move the engine ON/OFF switch to the **ON** position (I) (see Figure 41).

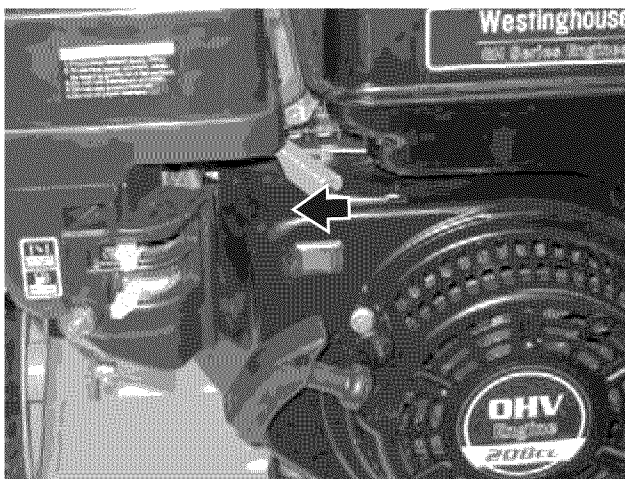


Figure 41 – Engine ON/OFF Switch

5. Move the throttle lever to the full throttle position (see Figure 42). Move the choke lever to the choke position. Open the fuel shutoff valve.

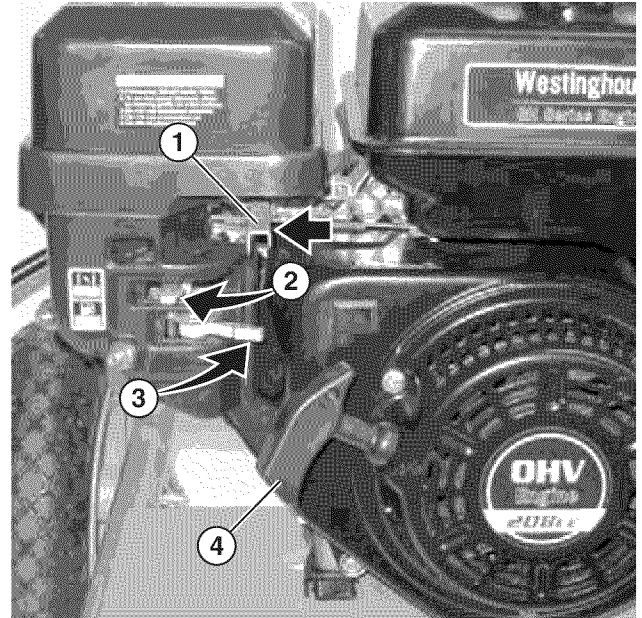


Figure 42 – Throttle Lever, Choke Lever, Fuel Shutoff Valve

- |                    |                        |
|--------------------|------------------------|
| 1 - Throttle Lever | 3 - Fuel Shutoff Valve |
| 2 - Choke Lever    | 4 - Starter Handle     |

6. Firmly grasp and pull the starter handle slowly until you feel increased resistance. At this point, apply a rapid pull on the starter handle.

**NOTE:** If the engine starts briefly and then shuts off, squeeze the trigger on the spray gun to relieve the pressure before trying to start the engine again.

7. Once the engine starts, move the choke lever to the open position. Allow the engine to warm up slightly before beginning washing.

**NOTE:** Always operate the engine at full throttle position when washing.

# OPERATION

## Stopping the Pressure Washer

### Normal Operation

During normal operation, use the following steps to stop your pressure washer:

1. Lock the spray gun trigger lock in the **OFF** position.
2. Move the engine ON/OFF switch to the **OFF (O)** position (see Figure 43).

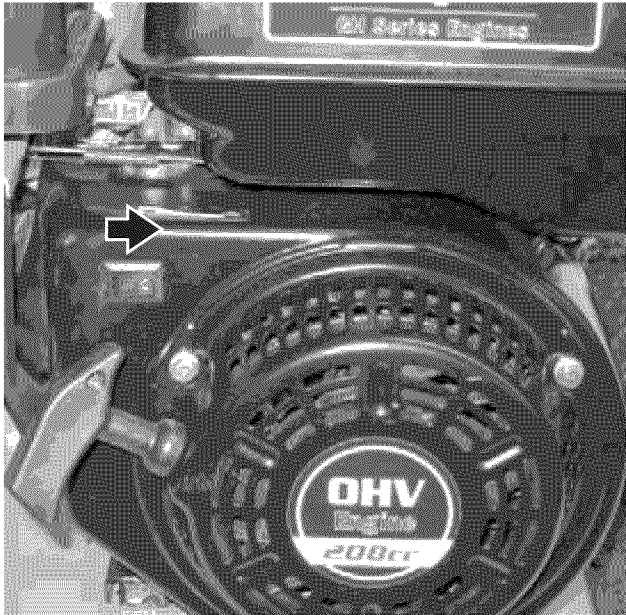


Figure 43 – Engine ON/OFF Switch OFF Position

3. Close the fuel shutoff valve (see Figure 44).



Figure 44 – Closing Fuel Shutoff Valve

4. Turn the water supply off.
5. Unlock the spray gun trigger and squeeze the trigger to release any pressure in the hoses and pump.
6. Disconnect the garden hose from the water inlet.

### During an Emergency

If there is an emergency and the pressure washer must be stopped quickly, push the engine control switch to the **OFF (O)** position immediately.



## SELECTING NOZZLES

The quick-connect feature allows changing between nozzles while the pressure washer is running once the spray gun trigger is locked in the safe position.

### NOTICE

Only use the nozzles that were supplied with the pressure washers. Using any other nozzles can affect performance and may void the warranty. For replacement nozzles go to [www.westpropower.com](http://www.westpropower.com) or call (855) 944-3571.



### WARNING



Always apply the trigger lock to change a nozzle if the engine is running.

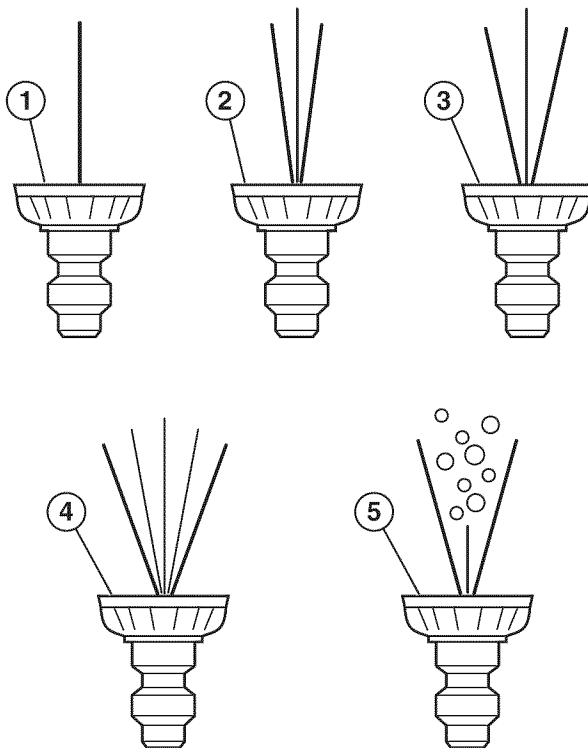


Figure 45 – Nozzle Spray Pattern

- 1 - Red High Pressure 0°
- 2 - Yellow High to Medium Pressure 15°
- 3 - Green Medium Pressure 25°
- 4 - White Low Pressure 40°
- 5 - Black Soap

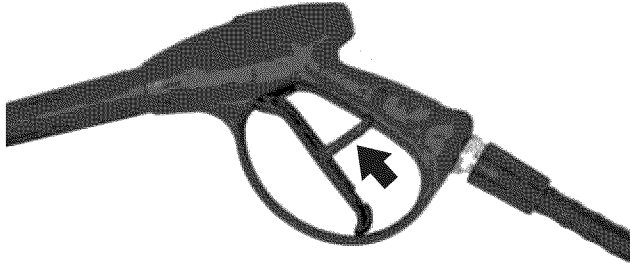
Table 1: Nozzles

Nozzle	Use
1. High Pressure Nozzle (Red) – higher pressure and smallest spray pattern  <b>NOTICE:</b> The red nozzle can damage surfaces if it is held too close for an extended time	Use to clean hard, embedded dirt and grime. Use on concrete, brick, driveways and patios.
2. High to Medium Pressure Nozzle (Yellow) – high to medium pressure with smallest angle spray pattern	Use to clean paint, stain, mildew, oil, and compacted dirt and grime. Use on wood decks, home siding, driveways and patios.
3. Medium Pressure Nozzle (Green) – medium pressure and medium spray pattern	Use to clean paint, stain, mildew, oil, and compacted dirt and grime. Use on wood decks, home siding, driveways and patios.
4. Low Pressure Nozzle (White) – lower pressure and widest spray pattern	Use to clean general loose dirt and grime. For use on most surfaces including cars, wood decks, patios, outdoor furniture, home siding, and lawn and garden equipment.
5. Soap Nozzle (Black)  <b>NOTICE:</b> Only use pressure washer–safe soap.	Use to apply soap to cleaning surfaces in order to provide a thorough cleaning.

# OPERATION

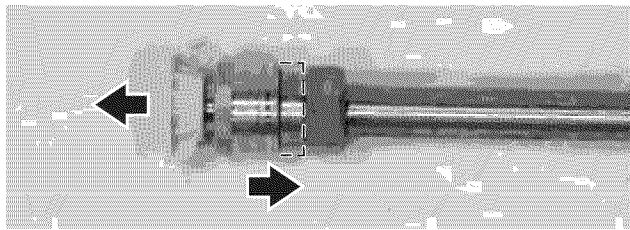
## Changing the Nozzle

1. Push up the trigger lock to lock it in the **OFF** position (see *Figure 46*).



*Figure 46 – Trigger Lock Locked*

2. Pull the quick coupler toward the spray gun (see *Figure 47*).



*Figure 47 – Installing a Nozzle*

3. Push the nozzle into the coupler and push the coupler away from the spray gun (see *Figure 47*). The nozzle will lock into place. Tug on the nozzle to verify it is locked in place.

## SPRAYING TIPS

For most cleaning, keep nozzle 8 – 24 in. (20 – 61 cm) away from cleaning surface.

- Damage may occur to the cleaning surface if you spray too close, especially with high-pressure nozzles.
- When you begin spraying, start farther away and move closer to avoid damage to the surface.
- When cleaning tires, allow at least 6 in. (15 cm) between a tire and the nozzle.

### NOTICE

Do not get any closer than 6 in. (15 cm). Spraying closer than 6 in. (15 cm) may damage tire.

To relieve system pressure, shut off engine, turn off water supply and pull gun trigger until water stops flowing.

## SPRAYING SOAP

### NOTICE

Only use pressure washer–safe soap.

1. Install the soap nozzle (black).

### NOTICE

Only use the soap nozzle to apply soap. Using other nozzles will not apply soap.

2. Prepare soap solution following manufacturer's instructions.
3. Place soap siphon hose into soap container.

### NOTICE

Do not route soap siphon hose where it can contact the muffler while the engine is running.

4. Make sure the garden hose and high-pressure hose are connected.

### NOTICE

All hoses must be connected before starting the engine.

5. Turn on the water supply.
6. Start the engine and squeeze the trigger.
7. Use long, even overlapping stroke to apply soap.
8. Allow 3 – 5 minutes for the soap to soak in before washing and rinsing. Do not allow the soap to dry on the surface before rinsing. Reapply soap if necessary to maintain a wet surface for the soap to soak in.

### NOTICE

Clean the soap siphon hose once done. See *Cleaning Soap Siphon Hose on page 35*.

## RINSING



### WARNING



Always apply the trigger lock to change a nozzle if the engine is running.

1. Select the desired nozzle and change nozzle. See *Selecting Nozzles on page 33*.
2. Squeeze the trigger and carefully start to spray, keeping nozzle a safe distance from the cleaning surface.
3. Starting from the top of the surface, spray a small area then check surface for damage. If no damage, continue rinsing by using overlapping strokes working down the surface. Keep checking surface for damage while rinsing.

## CLEANING SOAP SIPHON HOSE

If used, clean the soap siphon hose before stopping the engine.

1. If necessary, install the soap nozzle (black).
2. Use clean water to flush the soap siphon hose. Submerge the soap siphon hose in the clean water.
3. Flush the soap siphon hose for 1 – 2 minutes while the engine is running.
4. Once clean, stop the engine.
5. Point spray gun in a safe direction. Squeeze the trigger to release pressure within the system.

# MAINTENANCE

## MAINTENANCE



Before performing maintenance on the pressure washer, review *Safety on page 7* and the following safety messages.

### WARNING



Avoid accidentally starting the pressure washer during maintenance by removing the spark plug boot from the spark plug.



Allow hot components to cool to the touch prior to performing any maintenance procedure.



Internal pressure can build in the engine crankcase while the engine is running. Removing the oil fill plug/dipstick while the engine is hot can cause extremely hot oil to spray out of the crankcase and can severely burn skin. Allow engine oil to cool for several minutes before removing the oil fill plug/dipstick.



Always perform maintenance in a well-ventilated area. Gasoline fuel and fuel vapors are extremely flammable and can ignite under certain conditions.

### CAUTION



Avoid skin contact with engine oil or gasoline. Prolonged skin contact with engine oil or gasoline can be harmful. Frequent and prolonged contact with engine oil may cause skin cancer. Take protective measures and wear protective clothing and equipment. Wash all exposed skin with soap and water.

## Maintenance Schedule

### WARNING



Failure to perform periodic maintenance or not following maintenance procedures can cause the pressure washer to malfunction and could result in death or serious injury.

### NOTICE

Periodic maintenance intervals vary depending on pressure washer operating conditions. Operating the pressure washer under severe conditions, such as sustained high-load, high-temperature, or unusually wet or dusty environments, will require more frequent periodic maintenance. The intervals listed in the maintenance schedule should be treated only as a general guideline.

Following the maintenance schedule is important to keep the pressure washer in good operating condition. The following is a summary of maintenance items by periodic maintenance intervals.

Table 2: Maintenance Schedule - Owner Performed

Maintenance Item	Before Every Use	After First 20 Hours or First Month of Use	After 50 Hours of Use or Every 3 Months	After 100 Hours of Use or Every 6 Months	After 300 Hours of Use or Every Year
Engine Oil	Check Level	Change	Change	–	–
Cooling Features	Check/Clean	–	–	–	–
Air Filter	Check	–	Clean <sup>1</sup>	–	Replace
Spark Plug	–	–	–	Check/Clean	Replace

<sup>1</sup> Service more frequently if operating in dry and dusty conditions.

**Table 3: Maintenance Schedule - Authorized Westinghouse Service Dealer Performed**

Maintenance Item	Before Every Use	After First 20 Hours or First Month of Use	After 50 Hours of Use or Every 3 Months	After 100 Hours of Use or Every 6 Months	After 300 Hours of Use or Every Year
Valve Clearance	–	–	–	–	Check/Adjust
Fuel Filter	–	–	–	Check/Clean	–
Idle Speed	–	–	–	–	Check/Adjust

## ENGINE OIL MAINTENANCE – WP2500 AND WP2800

### Engine Oil Specification

Only use high-quality 10W30 4-stroke/cycle engine oil. NEVER USE 2-STROKE/CYCLE OIL.

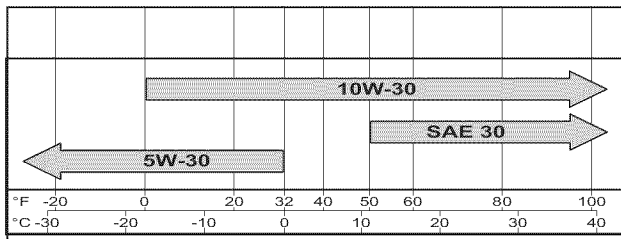


Figure 48 – Recommended Oil

### Checking Engine Oil

#### NOTICE

Always maintain proper engine oil level. Failure to maintain proper engine oil level could result in severe damage to the engine and/or shorten the life of the engine.

Always use the specified engine oil. Failure to use the specified engine oil can cause accelerated wear and/or shorten the life of the engine.

Engine oil level should be checked before every use.

1. Always operate or maintain the pressure washer on a flat surface.
2. Stop engine if running.
3. Let engine sit and cool for several minutes (allow crankcase pressure to equalize).
4. With a damp rag, clean around the oil fill plug/dipstick.
5. Remove oil fill plug/dipstick (see Figure 49).

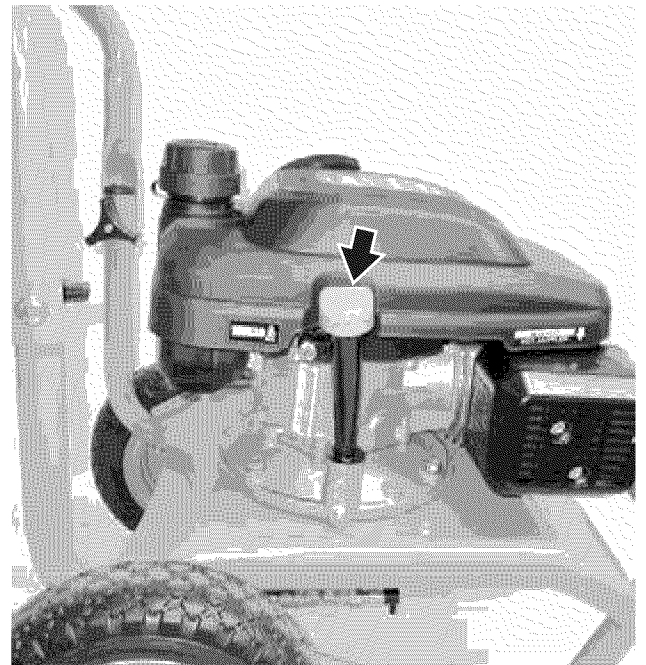


Figure 49 – Oil Fill Plug/Dipstick

6. Check oil level:

When checking the engine oil, remove the oil fill plug/dipstick and wipe it clean. Thread the oil fill plug/dipstick all the way back in and then remove and check the oil level on the oil fill plug/dipstick.

- Acceptable Oil Level – Oil is visible on the cross-hatches between the H and L lines on the oil fill plug/dipstick (see Figure 50).
- Low Oil – Oil is below the L line on the oil fill plug/dipstick (see Figure 50).

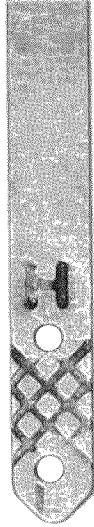


Figure 50 – Checking Oil Level

## Adding Engine Oil

### NOTICE

Oil crankcase capacity is 0.6 liter. Do not overfill.

1. Always operate or maintain the pressure washer on a flat surface.
2. Stop engine if running.
3. Let engine sit and cool for several minutes (allow crankcase pressure to equalize).
4. Thoroughly clean around the oil fill plug/dipstick.
5. Remove oil fill plug/dipstick and wipe clean.
6. See *Engine Oil Specification on page 37* for the proper engine oil.
7. Slowly add engine oil to the engine. Stop frequently to check the level to avoid overfilling.
8. Continue to add oil until the oil is at the correct level. See *Checking Engine Oil on page 37*.

## Changing Engine Oil

1. Stop the engine.
2. Let engine sit and cool for several minutes (allow crankcase pressure to equalize).
3. Place oil pan (or suitable container) under the oil drain plug.
4. With a damp rag, thoroughly clean around the oil drain plug.
5. Place a flexible piece of plastic or cardboard below the oil drain plug and above the frame.

6. Remove the oil drain plug (see *Figure 51*). Once removed, place the oil drain plug on a clean surface.

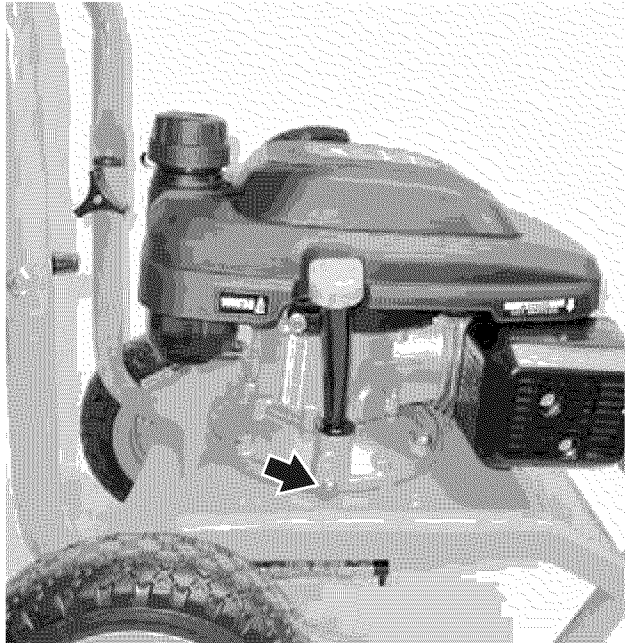


Figure 51 – Oil Drain Plug

7. Remove the oil fill plug/dipstick so the oil can drain more easily from the oil drain port.
8. Allow oil to completely drain.
9. Replace oil drain plug.
10. Fill crankcase with oil following the steps outlined in *Adding Engine Oil on page 38*.

### NOTICE

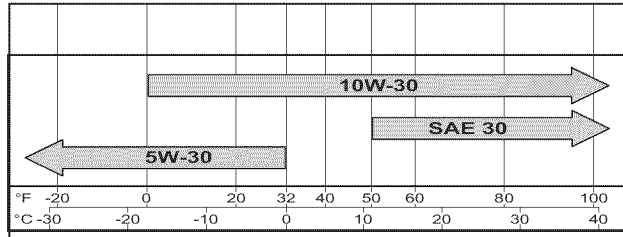
Never dispose of used engine oil by dumping the oil into a sewer, on the ground, or into groundwater or waterways. Always be environmentally responsible. Follow the guidelines of the Environmental Protection Agency (EPA) or other governmental agencies for proper disposal of hazardous materials. Consult local authorities or reclamation facility.

11. Dispose of used engine oil properly.

## ENGINE OIL MAINTENANCE – WP3000Z

### Engine Oil Specification

1. Only use the engine oil specified in *Figure 52*.



*Figure 52 – Recommended Oil*

2. Only use 4-stroke/cycle engine oil. NEVER USE 2-STROKE/CYCLE OIL.

### Checking Engine Oil

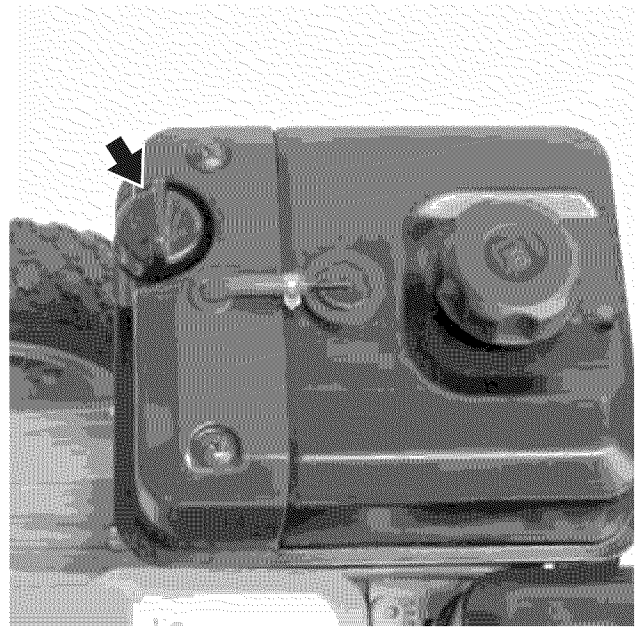
#### NOTICE

Always maintain proper engine oil level. Failure to maintain proper engine oil level could result in severe damage to the engine and/or shorten the life of the engine.

Always use the specified engine oil. Failure to use the specified engine oil can cause accelerated wear and/or shorten the life of the engine.

Engine oil level should be checked before every use.

1. Always operate or maintain the pressure washer on a flat surface.
2. Stop engine if running.
3. Let engine sit and cool for several minutes (allow crankcase pressure to equalize).
4. With a damp rag, clean around the oil fill plug/dipstick.
5. Remove the oil fill plug/dipstick (*see Figure 53*).



*Figure 53 – Oil Fill Plug/Dipstick – WP3000Z*

6. Check oil level:

When checking the engine oil, remove the oil fill plug/dipstick and wipe it clean. Thread the oil fill plug/dipstick all the way back in and then remove and check the oil level on the oil fill plug/dipstick.

- Acceptable Oil Level – Oil is visible on the crosshatch lines on the oil fill plug/dipstick (*see Figure 54*).
- Low Oil – Oil is not visible on the crosshatch lines on the oil fill plug/dipstick (*see Figure 54*).



*Figure 54 – Checking Oil Level – WP3000Z*

# MAINTENANCE

## Adding Engine Oil

### NOTICE

Oil crankcase capacity is 0.6 liter. Do not overfill.

1. Always operate or maintain the pressure washer on a flat surface.
2. Stop engine if running.
3. Let engine sit and cool for several minutes (allow crankcase pressure to equalize).
4. Thoroughly clean around the oil fill plug/dipstick.
5. Remove oil fill plug/dipstick and wipe clean.
6. *See Engine Oil Specification on page 39* for the proper engine oil.
7. Slowly add engine oil to the engine. Stop frequently to check the level to avoid overfilling.
8. Continue to add oil until the oil is at the correct level. *See Checking Engine Oil on page 39.*

## Changing Engine Oil

1. Stop the engine.
2. Let engine sit and cool for several minutes (allow crankcase pressure to equalize).
3. Place oil pan (or suitable container) under one of the two oil drain plugs. The oil drain plugs are located on either side of the engine.
4. With a damp rag, thoroughly clean around the oil drain plug.
5. Place a flexible piece of plastic or cardboard below the oil drain plug and above the frame.
6. Remove the oil drain plug (*see Figure 55*). Once removed, place the oil drain plug on a clean surface.

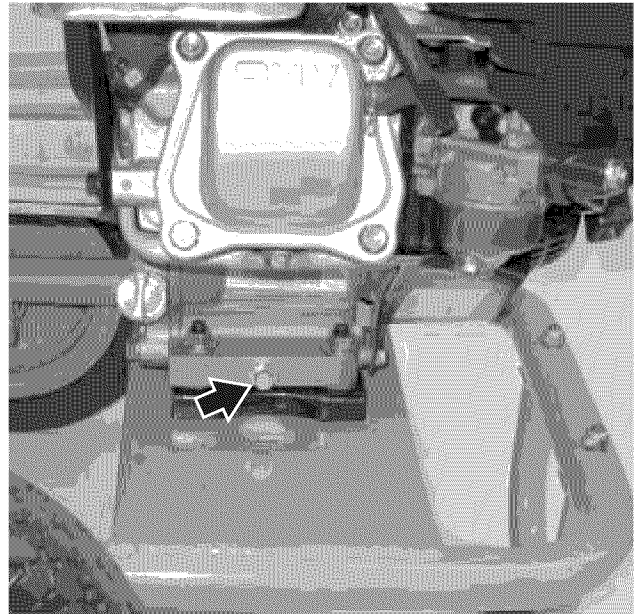


Figure 55 – Oil Drain Plug – WP3000Z

7. Remove the oil fill plug/dipstick so the oil can drain more easily from the oil drain port.
8. Allow oil to completely drain.
9. Replace oil drain plug.
10. Fill crankcase with oil following the steps outlined in *Adding Engine Oil on page 40*.
11. Dispose of used engine oil properly.

## AIR FILTER MAINTENANCE – WP2500 AND WP2800

### WARNING



Never use gasoline or other flammable solvents to clean the air filter. Use only household detergent soap to clean the air filter.

## Cleaning the Air Filter

The air filter must be cleaned after every 50 hours of use or 3 months (frequency should be increased if pressure washer is operated in a dusty environment).

1. Turn off the pressure washer and let it cool for several minutes if running.
2. Move the pressure washer to a flat, level surface.
3. Push down on the air cleaner cover to disengage the cover from the top tab (*see Figure 56*).



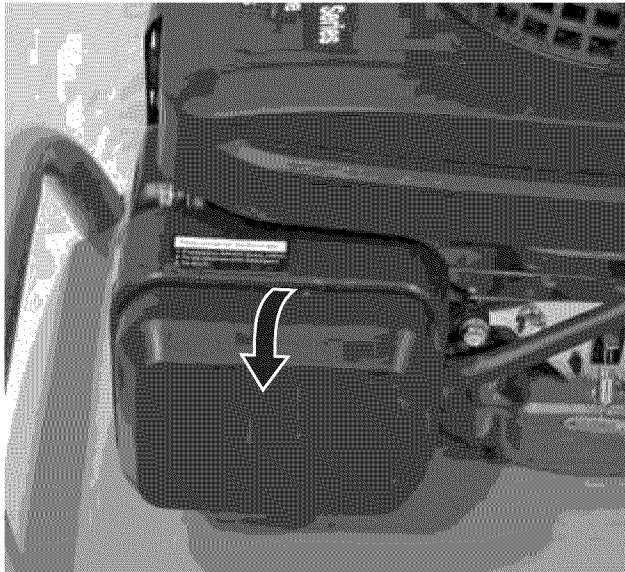


Figure 56 – Removing Air Cleaner Cover

4. Clean the air cleaner cover with a clean rag.
5. Remove the foam air filter element (see Figure 57).

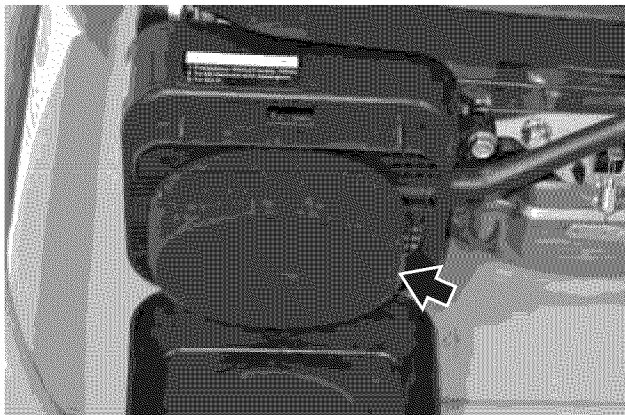


Figure 57 – Removing Air Filter Element

6. Wash the foam air filter element by submerging the element in a solution of household detergent soap and warm water. Slowly squeeze the foam to thoroughly clean.

## NOTICE

NEVER twist or tear the foam air filter element during cleaning or drying. Only apply slow but firm squeezing action.

7. Rinse in clean water by submerging the air filter element in fresh water and applying a slow squeezing action.

## NOTICE

Never dispose of soap cleaning solution used to clean the air filter by dumping the solution into a sewer, on the ground, or into groundwater or waterways. Always be environmentally responsible. Follow the guidelines of the EPA or other governmental agencies for proper disposal of hazardous materials. Consult local authorities or reclamation facility.

8. Dispose of used soap cleaning solution properly.
9. Dry the air filter element by again applying a slow firm squeezing action.
10. Return the air filter element to its position in the air cleaner assembly box.
11. Make sure the hinges at the bottom of the air cleaner cover are properly inserted into the holes at the bottom of the air cleaner assembly (see Figure 58).

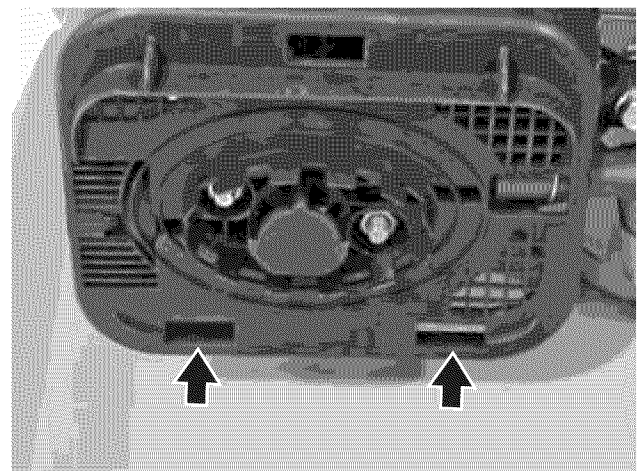


Figure 58 – Installation of Air Cleaner Cover

12. Close the air cleaner cover by rotating the cover upward and reengaging the tab at the top of the air cleaner assembly (see Figure 59).

# MAINTENANCE



Figure 59 – Installation of Air Cleaner Cover

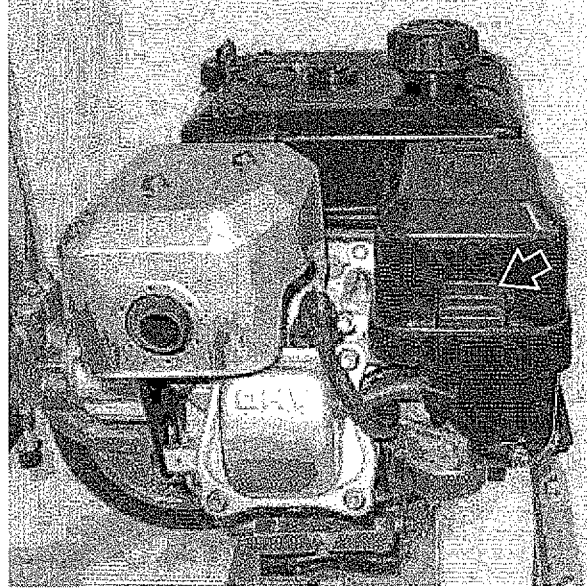




Figure 60 – Remove Air Cleaner Cover

## AIR FILTER MAINTENANCE - WP3000Z

 <b>WARNING</b>	
	<b>Never use gasoline or other flammable solvents to clean the air filter. Use only household detergent soap to clean the air filter.</b>

The air filter foam element must be cleaned after every 50 hours of use or every year (frequency should be increased if pressure washer is operated in a dusty environment). The air filter paper element must be replaced after every 50 hours of use or every year (frequency should be increased if pressure washer is operated in a dusty environment).

1. Turn off the pressure washer and let it cool for several minutes if running.
2. Move the pressure washer to a flat, level surface.
3. Clean the air cleaner cover with a clean rag.
4. Push on the air filter cover and lift up (see Figure 60).

5. Remove the air filter element and replace it (see Figure 61).

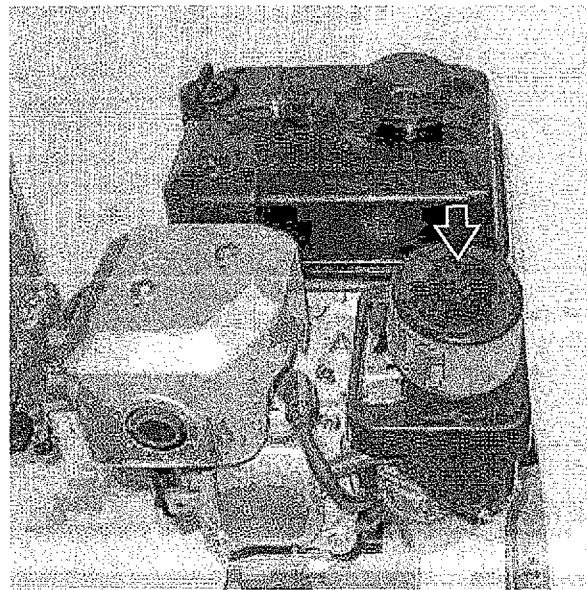


Figure 61 – Air Filter Element

6. Install a new air filter element.
7. Install the air cleaner cover onto the air filter housing, making sure the tabs on the air cleaner cover fit into the slots on the air cleaner housing (see Figure 62).



Figure 62 – Installing Air Cleaner Cover

## SPARK PLUG MAINTENANCE

The spark plug must be checked and cleaned after every 100 hours of use or 6 months and must be replaced after 300 hours of use or every year.

1. Stop the pressure washer and let it cool for several minutes if running.
2. Move the pressure washer to a flat, level surface.
3. Remove the spark plug boot by firmly pulling the plastic spark plug boot handle directly away from the engine (see Figure 63).

### NOTICE

Never apply any side load or move the spark plug laterally when removing the spark plug. Applying a side load or moving the spark plug laterally may crack and damage the spark plug boot.

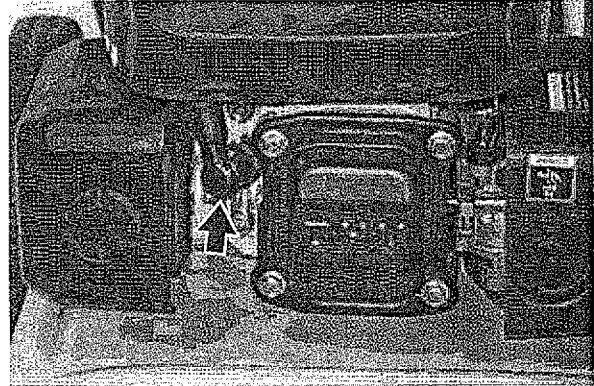


Figure 63 – Removal of Spark Plug Boot WP2500 and WP2800

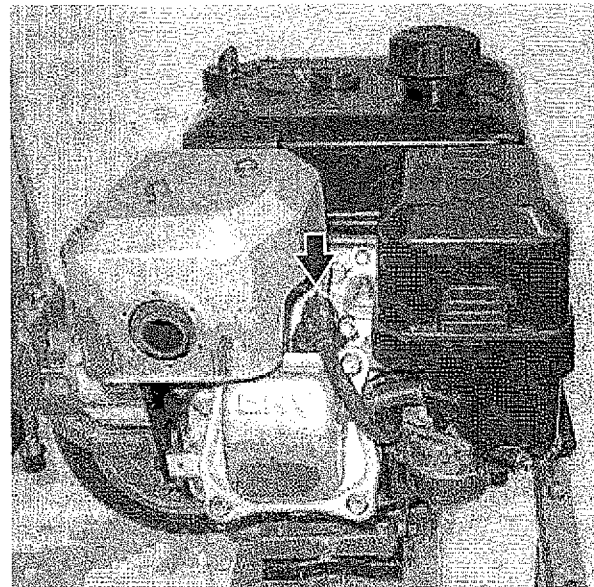


Figure 64 – Removal of Spark Plug Book WP3000Z

4. Clean area around the spark plug.
5. Remove the spark plug from the cylinder head (see Figure 65).

# MAINTENANCE

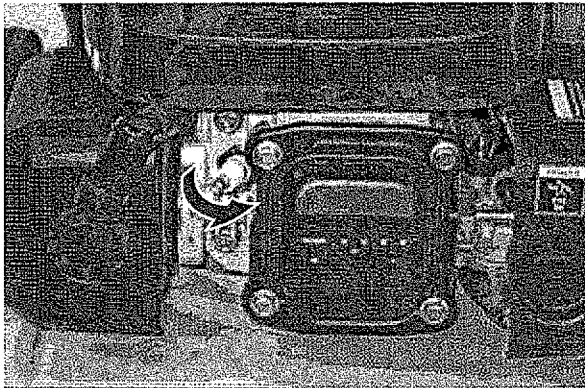


Figure 65 – Removing Spark Plug WP2500 and WP2800

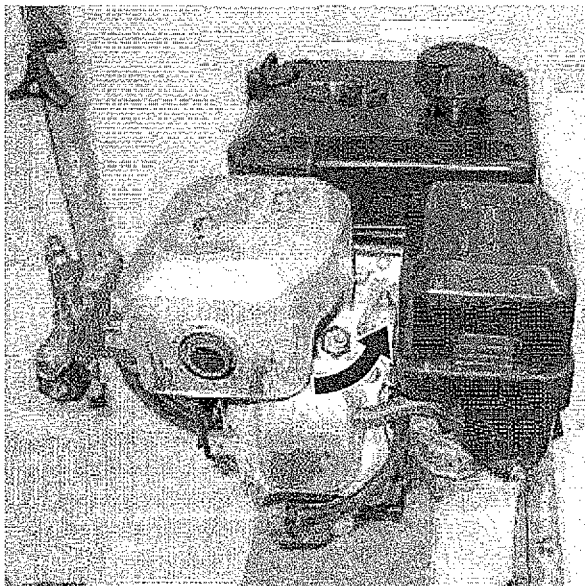


Figure 66 – Removing Spark Plug WP3000Z

6. Place a clean rag over the opening created by the removal of the spark plug to make sure no dirt can get into the combustion chamber.
7. Inspect the spark plug for:
  - Cracked or chipped insulator
  - Excessive wear
  - Spark plug gap (the acceptable limit of 0.024 – 0.032 in. [0.60 – 0.80 mm]) (see Figure 67).

If the spark plug fails any one of the conditions listed above, replace the plug with a Champion RN11YC4 plug or equivalent.

## NOTICE

Only use the recommended spark plug (Champion RN11YC4 or equivalent). Using a non-recommended spark plug could result in damage to the engine.

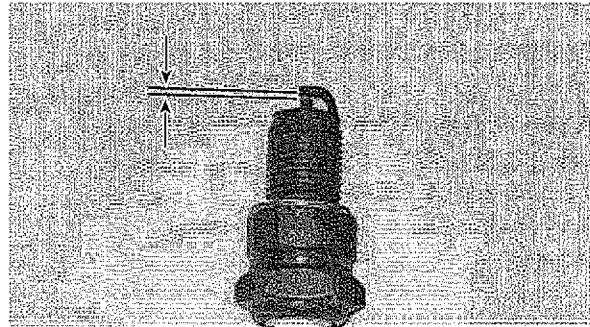


Figure 67 – Spark Plug Gap Requirements

8. Install the spark plug by carefully following the steps outlined below:
  - a - Carefully insert the spark plug back into the cylinder head. Hand-thread the spark plug until it bottoms out.
  - b - Turn the spark plug to ensure it is fully seated.
  - c - Replace the spark plug boot, making sure the boot fully engages the spark plug's tip.

## PRESSURE WASHER COMPONENTS

### Water Filter Screen

1. Remove the water inlet hose.
2. Remove the cone-shaped water filter screen from the water inlet hose fitting (see Figure 68).

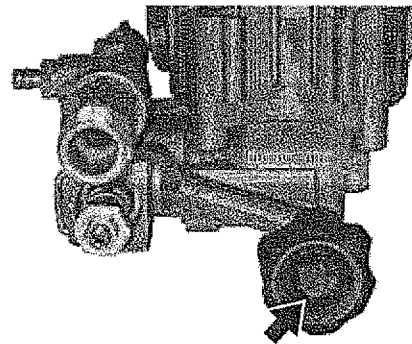


Figure 68 – Water Filter Screen WP2800 Shown

3. Inspect the water filter screen for debris or damage.
4. If the water filter screen is clogged or full of debris, clean it by flushing it with water on both sides. If it is damaged, replace it.

5. Reinsert the water filter screen into the water inlet hose fitting. The cone side has to face out.

## High-Pressure Hose and Spray Gun

### High-Pressure Hose

1. Remove the high-pressure hose.
2. Inspect the O-rings on the hose fittings. Replace if cracked or split.
3. Inspect the high-pressure hose for leaks or damage.
4. Replace the high-pressure hose if it leaks or damage is present.

### Spray Gun

1. Inspect the O-ring on the wand where it connects to the spray gun. Replace if cracked or split.
2. Inspect the connection between the hose and the spray gun. Ensure that the hose is connected tightly to the fitting on the spray gun.
3. Release the blue trigger lock by slightly pushing the trigger forward.
4. Test the trigger by pulling it backward. Make sure that the trigger returns to its original position when it is released.

## Soap Siphon Hose

1. Remove the soap siphon hose (see Figure 69) from the soap container (if it is immersed).

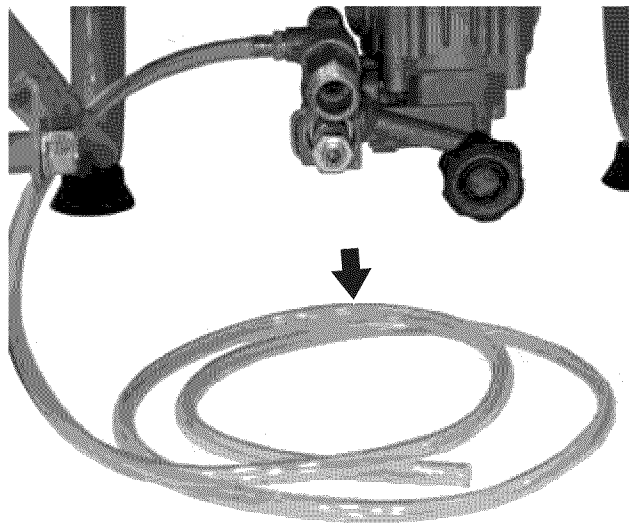


Figure 69 – Soap Siphon Hose WP2800 Shown

2. Inspect the soap siphon hose. Clean it if it is clogged.
3. Inspect the soap siphon hose for leaks or damage.
4. Replace soap siphon hose if it is damaged.

## Nozzle

1. Shut off the pressure washer and turn off the water supply.
2. Pull the trigger of the spray gun to release any remaining water pressure.
3. Remove the spray tip from the end of the nozzle extension (see Figure 70).

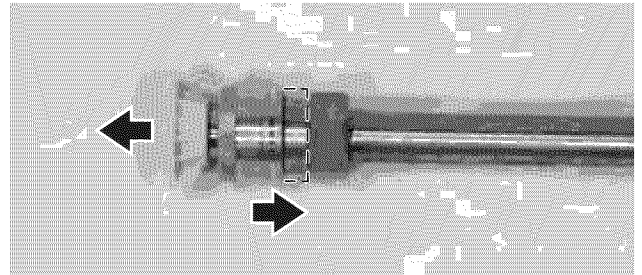


Figure 70 – Spray Tip Removal

4. Remove any obstructions with a small paper clip or similar tool.
5. Flush the spray tip with clean water.
6. Remove the nozzle extension from the spray gun (see Figure 71).

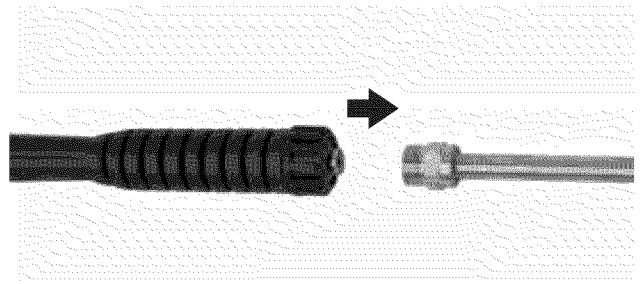


Figure 71 – Nozzle Extension Removal

7. Flush clean water through the nozzle extension for 30 – 60 seconds.
8. Reconnect the nozzle extension to the spray gun.
9. Reinstall the spray tip into the nozzle extension.

## AFTER EACH USE

1. Shut off the pressure washer and turn off the water supply.
2. Remove the soap siphon hose from the soap container and insert it into a container with clean water.
3. Turn on the water supply and start the pressure washer.
4. Pull the spray gun trigger and spray for 1 – 2 minutes. This will ensure that all remaining soap is flushed from the pump.

# MAINTENANCE

5. Shut off the pressure washer and turn off the water supply.
6. Pull the spray gun trigger to release any remaining pressure.
7. Let the pressure washer cool down.
8. Disconnect the high-pressure hose and water inlet hose.
9. Drain the hoses, spray gun and nozzle extension.
10. Engage the trigger lock on the spray gun.
11. Wipe off remaining water with a clean, dry rag.
12. While the pressure washer is turned off, pull the recoil handle 5 – 6 times. This should remove most of the remaining liquid inside the pump.
13. Store the pressure washer in a clean, dry place.

## LONG-TERM STORAGE

### WARNING



Never store a pressure washer with fuel in the tank indoors or in a poorly ventilated area where the fumes can come in contact with an ignition source such as a: 1) pilot light of a stove, water heater, clothes dryer or any other gas appliance; or 2) spark from an electric appliance.

### NOTICE

Gasoline stored for as little as 60 days can go bad, causing gum, varnish and corrosive buildup in fuel lines, fuel passages and the engine. This corrosive buildup restricts the flow of fuel, preventing an engine from starting after a prolonged storage period.

Proper care should be taken to prepare the pressure washer for any long-term storage.

### Storage Procedure for 1 – 3 Months

1. Clean the pressure washer as outlined in *After Each Use on page 45*.
2. Add a gasoline fuel stabilizer to the fuel tank. Follow the recommended procedure of the fuel stabilizer manufacturer for correct amount of stabilizer to add.

### Storage Procedure for Greater Than 3 Months

1. Clean the pressure washer as outlined in *After Each Use on page 45*.
2. Drain all gasoline from the fuel tank as best as possible.
3. Connect a hose to the water inlet fitting and turn on hose.

4. Start the engine and allow the pressure washer to run until all the remaining gasoline in the fuel lines and carburetor is consumed and the engine shuts off.
5. Clean the pressure washer as outlined in *After Each Use on page 45*.
6. Change the oil (*see Adding Engine Oil on page 38*).
7. Remove the spark plug (*see Spark Plug Maintenance on page 43*) and place about 1 tablespoon of oil in the spark plug opening. While placing a clean rag over the spark plug opening, slowly pull the recoil handle to allow the engine to turn over several times. This will distribute the oil and protect the cylinder wall from corroding during storage.
8. Replace the spark plug (*see Spark Plug Maintenance on page 43*).
9. Move the pressure washer to a clean, dry place for storage.

## WINTER STORAGE

1. Follow steps 1 through 11 in *After Each Use on page 45*.
2. Store the hoses, spray gun and nozzle extension.
3. Disconnect the spark plug wire.
4. Connect a 3-foot (1-meter) section of garden hose to the water inlet hose fitting.
5. Using a funnel, pour 6 oz (177 mL) of RV antifreeze into the hose.

### NOTICE

Use only RV antifreeze. Any other antifreeze can damage the pump.

6. Slowly pull the recoil handle several times, until antifreeze comes out of the high-pressure fitting of the pump.
7. Remove the 3-foot (1-meter) garden hose.
8. Reconnect the spark plug wire.
9. Store the pressure washer in a clean, dry place.

### Remove and Install the Pump – WP2500 and WP2800

1. Disconnect high-pressure hose and soap siphon hose from pump.

**NOTE:** *The pump mounting bolts also mount the engine in place. Do not tip the unit or the engine could be damaged when pump is removed.*

2. Remove the 3 mounting bolts and washers holding the pump to the frame (*see Figure 72*).

- Slide the pump down off of the crankshaft (see Figure 72).

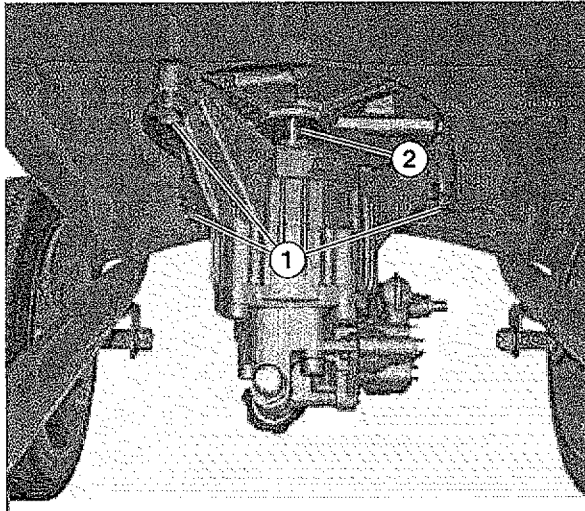


Figure 72 – Pump/Engine Mounting Bolts WP2500 Shown

- |  |                       |
|--|-----------------------|
| 1 - Pump and Engine Mounting Bolts and Washers | 2 - Engine Crankshaft |
|--|-----------------------|

- Inspect the key and keyway on crankshaft (see Figure 73).

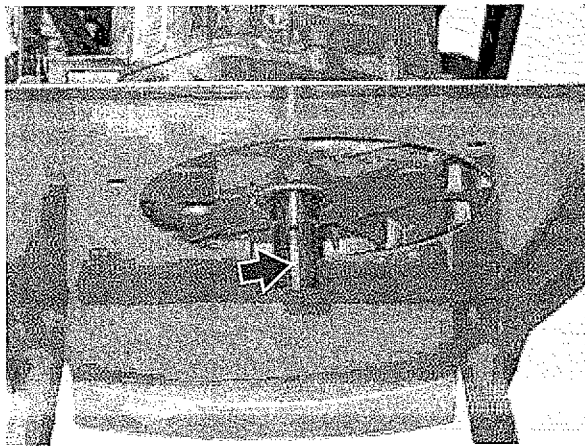


Figure 73 – Key and Crankshaft Keyway WP2500 Shown

- Apply a thin layer of grease to the crankshaft before installing the pump.
- Slide the pump onto the crankshaft making sure the key lines up with the keyway in the pump.
- Install the pump/engine mounting bolts and tighten to 25 ft-lb (34 N·m).

## Remove and Install the Pump – WP3000Z

- Disconnect high-pressure hose and soap siphon hose from pump.
- Remove the 4 mounting bolts holding the pump to the engine (see Figure 74).

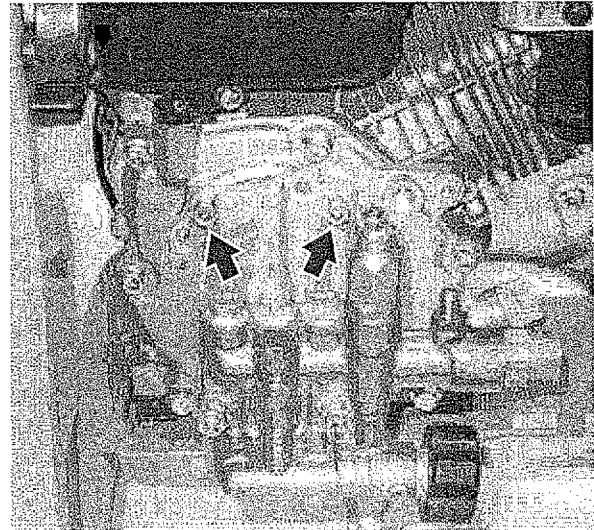


Figure 74 – Pump Mounting Bolts

- Slide the pump out off of the crankshaft (see Figure 74).
- Inspect the key and keyway on crankshaft (see Figure 75).

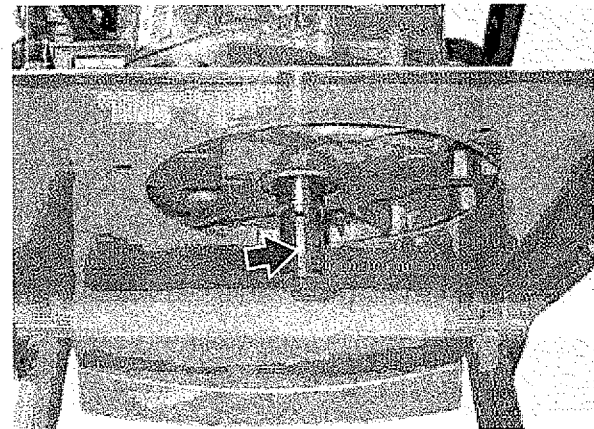


Figure 75 – Key and Crankshaft Keyway

- Apply a thin layer of grease to the crankshaft before installing the pump.
- Slide the pump onto the crankshaft making sure the key lines up with the keyway in the pump.
- Install the pump/engine mounting bolts and tighten to 30 ft-lb (41 N·m).

# TROUBLESHOOTING

## TROUBLESHOOTING



### WARNING



Before attempting to service or troubleshoot the pressure washer, the owner or service technician must first read the owner's manual and understand and follow all safety instructions. Failure to follow all instructions may result in conditions that can lead to voiding of the EPA certification or product warranty, serious personal injury, property damage or even death.

PROBLEM	POTENTIAL CAUSE	SOLUTION
Engine will not start.	1. Fuel shutoff vave (if equipped) is in the <b>OFF</b> position.	1. Move the fuel shutoff valve (if equipped) to the <b>ON</b> position.
	2. Pressure washer is out of fuel.	2. Add fuel to the pressure washer.
	3. Fuel flow is obstructed.	3. Inspect and clean fuel delivery passages.
	4. Unit is not properly primed.	4. Push primer bulb three times.
	5. Air filter is dirty.	5. Check and clean the air filter.
	6. Oil level is low.	6. Check oil level and add oil if necessary.
	7. Spark plug boot is not fully engaged with the spark plug tip.	7. Firmly push down on the spark plug to ensure the boot is fully engaged.
	8. Spark plug is faulty.	8. Remove and check the spark plug. Replace if faulty.
	9. Fuel is stale.	9. Drain fuel and replace with fresh fuel.
	10. Water in fuel.	10. Drain fuel and replace with fresh fuel.
	11. If trying 1-10 above does not solve the problem, the cause might be that the pressure washer has a fault.	11. Take the pressure washer to your nearest authorized service dealer.
Engine suddenly stops running.	1. Pressure washer is out of fuel.	1. Check fuel level. Add fuel if necessary.
	2. Oil level is low.	2. Check oil level and add oil if necessary.
	3. If trying 1-2 above does not solve the problem, the cause might be that the pressure washer has a fault.	3. Take the pressure washer to your nearest authorized service dealer.
Engine runs erratic; does not hold a steady RPM.	1. Choke lever (if equipped) was left in the <b>ON</b> position.	1. Move choke lever (if equipped) to the <b>OFF</b> position.
	2. Air filter is dirty.	2. Check and clean the air filter.
	3. If trying 1-2 above does not solve the problem, the cause might be that the pressure washer has a fault.	3. Take the pressure washer to your nearest authorized service dealer.



# TROUBLESHOOTING

PROBLEM	POTENTIAL CAUSE	SOLUTION
No or low pressure.	1. Water supply is low.	1. Increase the water supply.
	2. Nozzle is obstructed.	2. Clean the nozzle.
	3. Water filter screen is obstructed.	3. Remove and clean the filter.
	4. Water inlet is obstructed.	4. Clear the inlet.
	5. Inlet hose is kinked or leaks.	5. Straighten the inlet hose and repair leaks.
	6. High-pressure hose is obstructed or leaks.	6. Clear obstructions in the hose or replace the hose.
	7. High-pressure hose fitting leaks.	7. Tighten the fitting. Apply sealant tape if necessary.
	8. If trying 1-7 above does not solve the problem, the cause might be that the pressure washer has a fault.	8. Take the pressure washer to your nearest authorized service dealer.
Soap does not mix with water spray.	1. Soap siphon hose is not submerged.	1. Insert the soap siphon hose properly into the soap container.
	2. Soap siphon hose is obstructed.	2. Clear obstructions in the soap siphon hose.

# WARRANTY

---

## WESTPRO POWER SYSTEMS “THREE YEAR” LIMITED WARRANTY

Effective May 2012

### WESTPRO’S RESPONSIBILITY

Westpro Power Systems, LLC (“WESTPRO”) warrants to the original purchaser that its Westinghouse line of pressure washers will be free from defects in material and workmanship. Under normal use and maintenance from the date of purchase, WESTPRO agrees to repair or replace at WESTPRO’s discretion, any defective product free of charge at any authorized WESTPRO Authorized Service Dealer within the below listed applications, time periods, limitations, and exclusions. THIS LIMITED WARRANTY IS EXTENDED TO THE ORIGINAL PURCHASER ONLY AND IS NOT TRANSFERABLE TO SUBSEQUENT OWNERS EXCEPT FOR EMISSION RELATED PARTS. This warranty is separate from the Emission Control Warranty Statement supplied with your new product. Please consult the Emission Control Warranty Statement for details regarding emission related parts. For a list of WESTPRO Authorized Service Dealers refer to [www.westpropower.com](http://www.westpropower.com) or call 1-855-944-3571.

### OWNER’S RESPONSIBILITY

To ensure trouble free warranty coverage it is important that you register your WESTPRO Westinghouse pressure washer. You may register on-line at [www.westpropower.com](http://www.westpropower.com), by automated phone at 1-855-944-3571, or by filling out and returning to WESTPRO the warranty registration card supplied with your pressure washer. Registering your product confirms your warranty coverage and provides a direct link between you and WESTPRO if we find it necessary to contact you.

Your receipt for purchase including date, model and serial number must be maintained and presented to a WESTPRO Authorized Service Dealer for warranty service. Proof of purchase rests solely with you, the original purchaser.

You must demonstrate reasonable care and use, and follow preventive maintenance, storage, fuel and oil usage as prescribed in the operator’s manual for your WESTPRO Westinghouse unit. Should a product difficulty occur, you must, at your expense, deliver or ship your WESTPRO Westinghouse unit to a WESTPRO Authorized Service Dealer for warranty repairs (which must occur within the applicable warranty period), and arrange for pick-up or return of your unit after the repairs have been made. For the WESTPRO Authorized Service Dealer nearest to you, call WESTPRO’s automated phone at 1-855-944-3571 or you may locate a WESTPRO Authorized Service Dealer at [www.westpropower.com](http://www.westpropower.com). Should you require assistance or have questions concerning WESTPRO’s Warranty Statement, you can contact us through the web at [www.westpropower.com](http://www.westpropower.com) or call 1-855-944-3571.

## PRODUCT WARRANTY APPLICATIONS AND PRODUCT WARRANTY PERIODS

### CONSUMER APPLICATION

For the purpose of this limited warranty “Consumer Application” means usage by the original purchaser for the purpose of personal residential household or recreational use.

Parts and labor will be covered at 100% for a period of one (1) year from the date of purchase.

Parts only will be covered at 100% for a period of three (3) years from the date of purchase.

If proof of purchase is not available to establish the purchase date nor is the equipment registered as suggested herein, the date of manufacturing as recorded by WESTPRO will start the product warranty period.

### COMMERCIAL APPLICATION

For the purpose of this limited warranty “Commercial Application” means usage by the original purchaser for the purpose of income producing, business related use. Once a pressure washer has been used for income producing and business related purposes, it shall thereafter be considered a “Commercial Application” and the following warranty will apply.

Parts and labor will be covered at 100% for a period of one (1) year from the date of purchase.

If proof of purchase is not available to establish the purchase date nor is the equipment registered as suggested herein, the date of manufacturing as recorded by WESTPRO will start the product warranty period.



## EXCLUSIONS

- WESTPRO portable pressure washers that utilize non-WESTPRO replacement parts.
- Costs of normal maintenance and adjustments.
- Failures caused by any contaminated fuels, oils, or lack of proper oil levels.
- Repairs or diagnostics performed by individuals other than WESTPRO authorized dealers not authorized in writing by WESTPRO.
- Failures due to normal wear and tear, accident, misuse, abuse, negligence or improper use. As with all mechanical devices, the WESTPRO engines need periodic part(s) service and replacement to perform as designed. This warranty will not cover repair when normal use has exhausted the life of a part(s) or engine.
- Failures caused by any external cause or act of God, including but not limited to, collision, theft, vandalism, riot, war, fire, freezing, lightning, earth-quake, windstorm, hail, water, flood, tornado, or hurricane.
- Damage related to rodent and/or insect infestation.
- Products that are modified or altered in a manner not authorized in writing by WESTPRO.
- Any incidental, consequential or indirect damages caused by defects in materials or workmanship, or any delay in repair or replacement of the defective part(s).
- Failure due to misapplication.
- Telephone, cellular phone, facsimile, internet access, or other communication expenses.
- Expenses related to “customer instruction” or troubleshooting where no manufacturing defect is found.
- Overnight freight or special shipping costs for replacement part(s).
- Overtime, holiday or emergency labor.
- Starting batteries, fuses, light bulbs and engine fluids.

## DISCLAIMER OF IMPLIED WARRANTIES

This limited warranty is in lieu of all other expressed or implied warranties, including any warranty of FITNESS FOR A PARTICULAR PURPOSE OR USE and any implied warranty of MERCHANTABILITY otherwise applicable to WESTPRO's Westinghouse line of pressure washers. WESTPRO and its affiliated companies shall not be liable for any special, incidental or consequential damage, including lost profits. There are no warranties extended other than as provided herein. This limited warranty may be modified only by WESTPRO. Any implied warranties allowed by law shall be limited in duration to the terms of the express warranty provided herein. Some states do not allow limitations on how long an implied warranty lasts, so the above limitation may not apply to you. Some states do not allow the exclusion or limitation of incidental or consequential damages, so the above limitation may not apply to you. This warranty gives you specific legal rights. You also have other rights from state to state. WESTPRO'S ONLY LIABILITY SHALL BE THE REPAIR OR REPLACEMENT AS STATED ABOVE. IN NO EVENT SHALL WESTPRO BE LIABLE FOR ANY INCIDENTAL OR CONSEQUENTIAL DAMAGES, EVEN IF SUCH DAMAGES ARE A DIRECT RESULT OF WESTPRO'S NEGLIGENCE. Some states do not allow the exclusion or limitation of incidental or consequential damages, so the above limitation may not apply to you. This warranty gives you specific legal rights and you may also have other rights from state to state.

This limited warranty is given by Westpro Power Systems, LLC, W237 N2889 Woodgate Rd. Unit B, Pewaukee, WI 53072.

# **EMISSIONS CONTROL WARRANTY**

---

## **FEDERAL AND/OR CALIFORNIA EMISSION CONTROL WARRANTY STATEMENT**

### **YOUR WARRANTY RIGHTS AND OBLIGATIONS**

Westpro Power Systems, LLC, the United States Environmental Protection Agency (EPA), and, for those products certified for sale in the state of California, the California Air Resources Board (CARB) are pleased to explain the emission (evaporative and/or exhaust) control system (ECS) warranty on your outdoor 2012 and later small off-road spark-ignited engine and equipment(outdoor equipment engine). In California, new outdoor equipment engines must be designed, built and equipped to meet the state's stringent anti-smog standards (in other states, 1997 and later model year equipment must be designed, built, and equipped to meet the U.S. EPA small off-road, spark ignition engine regulations). Westpro Power Systems, LLC must warrant the ECS on your outdoor equipment engine for the period of time listed below provided there has been no abuse, neglect or improper maintenance of your outdoor equipment engine.

Your ECS may include parts such as the carburetor, fuel-injection system, the ignition system, catalytic converter, fuel tanks, fuel lines, fuel caps, valves, canisters, filters, vapor hoses, clamps, connectors, and other associated emission-related components.

**Where a warrantable condition exists, Westpro Power Systems, LLC will repair your outdoor equipment engine at no cost to you including diagnosis, parts and labor.**

### **MANUFACTURER'S WARRANTY COVERAGE:**

This emission control system is warranted for two years. If any emission-related part on your outdoor equipment engine is defective, the part will be repaired or replaced by a **Westpro Power Systems, LLC Authorized Warranty Service Dealer**.

### **OWNER'S WARRANTY RESPONSIBILITIES:**

As the outdoor equipment engine owner, you are responsible for performance of the required maintenance listed in your owner's manual. Westpro Power Systems, LLC recommends that you retain all receipts covering maintenance on your outdoor equipment engine, but Westpro Power Systems, LLC cannot deny warranty solely for the lack of receipts or your failure to ensure the performance of all scheduled maintenance.

As the outdoor equipment engine owner, you should however be aware that Westpro Power Systems, LLC may deny you warranty coverage if your outdoor equipment engine or a part has failed due to abuse, neglect, or improper maintenance or unapproved modifications.

You are responsible for presenting your outdoor equipment engine to a Westpro Power Systems, LLC's Authorized Warranty Service Dealer as soon as the problem exists. The warranty repairs should be completed in a reasonable amount of time, not to exceed 30 days.

If you have any questions regarding your warranty rights and responsibilities, you should contact a Westpro Power Systems, LLC Service Representative at 1-855-WHHELP1 (1-855-944-3571) or contact Westpro Power Systems, LLC at the following address: W237 N2889 Woodgate Road, Unit B, Pewaukee, WI 53072.

### **DEFECTS WARRANTY REQUIREMENTS**

Westpro Power Systems, LLC warrants to the original, end-use purchaser/owner and each subsequent purchaser that the outdoor equipment engine is:

1. Designed, built and equipped so as to conform with all applicable regulations
2. Free from defects in materials and workmanship that can cause the failure of a warranted part at any time during the ECS Warranty period.
3. Warranted parts are identical in all material respects to that part as described in Chongqing Zongshen General Power Machine Co., LTD's application for certification.

The warranty period begins on the date the outdoor equipment engine is delivered to the original, end-use purchaser/owner or first placed into service. The warranty period is two years.



# EMISSIONS CONTROL WARRANTY

Subject to certain conditions and exclusions as stated below, the warranty on emission-related parts is as follows:

1. Any warranted part that is not scheduled for replacement as required maintenance in the written instructions supplied, is warranted for the warranty period stated above. If the part fails during the period of warranty coverage, the part will be repaired or replaced by Westpro Power Systems, LLC according to subsection (4) below. Any such part repaired or replaced under warranty will be warranted for the remainder of the period.
2. Any warranted part that is scheduled only for regular inspection in the written instructions supplied is warranted for the warranty period stated above. Any such part repaired or replaced under warranty will be warranted for the remaining warranty period.
3. Any warranted part that is scheduled for replacement as required maintenance in the written instructions supplied is warranted for the period of time before the first scheduled replacement date for that part. If the part fails before the first scheduled replacement, the part will be repaired or replaced by Westpro Power Systems, LLC according to subsection (4) below. Any such part repaired or replaced under warranty will be warranted for the remainder of the period prior to the first scheduled replacement point for the part.
4. Repair or replacement of any warranted part under the warranty provisions herein must be performed by a Westpro Power Systems, LLC Authorized Warranty Service Dealer at no charge to the owner.
5. The owner must not be charged for diagnostic labor that leads to the determination that a warranted part is in fact defective, provided that such diagnostic work is performed at a Westpro Power Systems, LLC Authorized Warranty Service Dealer.
6. Westpro Power Systems, LLC is liable for damages to other engine or equipment components proximately caused by a failure under warranty of any warranted part. Throughout the off-road engine and equipment warranty period stated above, Westpro Power Systems, LLC will maintain a supply of warranted parts sufficient to meet the expected demand for such parts.
7. Any authorized Westpro Power Systems, LLC replacement part may be used in the performance of any warranty maintenance or repairs and must be provided without charge to the owner. Such use will not reduce the warranty obligations of Westpro Power Systems, LLC.
8. Add-on or modified parts that are not exempted by the EPA or CARB may not be used. The use of any non-exempted add-on or modified parts by the original, end use purchaser/owner and each subsequent purchaser/owner will be grounds for disallowing warranty claims. Westpro Power Systems, LLC will not be liable to warrant failures of warranted parts caused by the use of a non-exempted add-on or modified part.
9. The manufacturer issuing the warranty shall provide any documents that describe that manufacturer's warranty procedures or policies within five working days of request by the CARB.

## WARRANTED PARTS:

The repair or replacement of any warranted part otherwise eligible for warranty coverage may be excluded from such warranty coverage if Westpro Power Systems, LLC demonstrates that the outdoor equipment engine has been abused, neglected, or improperly maintained, and that such abuse, neglect, or improper maintenance was the direct cause of the need for repair or replacement of the part. That notwithstanding, any adjustment of a component that has a factory installed, and properly operating, adjustment limiting device is still eligible for warranty coverage. Further, the coverage under this warranty extends only to parts that were present on the off-road engine and equipment purchased.

The following emission warranty parts are covered (if applicable):

1. Fuel Metering System
  - Cold start enrichment system (soft choke)
  - Carburetor and internal parts (or fuel injection system)
  - Fuel pump
  - Fuel tank
2. Air Induction System
  - Air cleaner
  - Intake manifold

# EMISSIONS CONTROL WARRANTY

---

3. Ignition System
  - Spark plug(s)
  - Magneto ignition system
4. Exhaust System
  - Catalytic converter
  - SAI (Reed valve)
5. Miscellaneous Items Used in Above System
  - Vacuum, temperature, position, time sensitive valves and switches
  - Connectors and assemblies
6. Evaporative Control
  - Fuel hose
  - Fuel hose clamps
  - Tethered fuel cap
  - Carbon canister
  - Vapor lines

## QUESTIONS:

If you have any questions regarding your emissions warranty rights and responsibilities you should contact Westpro Power Systems, LLC at:

Phone: (855) 944-3571, toll free

Web: [service@westpropower.com](mailto:service@westpropower.com)

Address: Service Department  
Westpro Power Systems, LLC  
W237 N2889 Woodgate Road, Unit B  
Pewaukee, WI 53072



MANUAL DEL PROPIETARIO

---

---

**California  
Proposition 65 Warning**

The engine exhaust from this product contains chemicals known to the state of California to cause cancer, birth defects or other reproductive harm.

**California  
Proposition 65 Warning**

Certain components in this product and its related accessories contain chemicals known to the state of California to cause cancer, birth defects or other reproductive harm. Wash hands after handling.

**EXCLUSIONES:**

Toda la información, las ilustraciones y especificaciones de este manual se basan en la información más reciente disponible al momento de la publicación. Las ilustraciones que se utilizan en este manual están destinadas a representar vistas de referencia únicamente. Además, debido a nuestra política de mejora continua del producto podemos modificar la información, las ilustraciones y/o las especificaciones para explicar y/o ejemplificar una mejora de producto, servicio o mantenimiento. Nos reservamos el derecho a realizar cualquier cambio en cualquier momento sin aviso.

**TODOS LOS DERECHOS RESERVADOS:**

Ninguna parte de esta publicación se puede reproducir ni usar por ningún medio, sea gráfico, electrónico o mecánico, incluido el uso de fotocopias, grabaciones, grabaciones en cinta o de sistemas de almacenamiento y recuperación de información, sin el permiso por escrito de Westpro Power Systems, LLC.



# FELICITACIONES POR SER PROPIETARIO DE UNA HIDROLAVADORA WESTINGHOUSE

## ⚠ PELIGRO



Este manual contiene instrucciones importantes para la operación de esta hidrolavadora. Para su seguridad y la de los demás, debe leer este manual completamente antes de operar la hidrolavadora. Si no sigue adecuadamente todas las instrucciones y precauciones, usted y otras personas pueden resultar gravemente heridos o morir.

### Para sus registros

Fecha de compra: \_\_\_\_\_

Número de modelo de la hidrolavadora: \_\_\_\_\_

Comprada a la Tienda/el Distribuidor: \_\_\_\_\_

Número de serie de la hidrolavadora: \_\_\_\_\_

**Recibo de compra:** (conservar el recibo de compra para asegurar la cobertura sin problemas de la garantía)

### Registro del producto:

Para asegurar la cobertura sin problemas de la garantía es importante que registre la hidrolavadora Westinghouse. Puede registrar la hidrolavadora de las siguientes formas:

1. Complete el formulario de registro del producto que está a continuación y envíelo a:

Registro del producto:

Westpro Power Systems, LLC

W237 N2889 Woodgate Road, Unit B

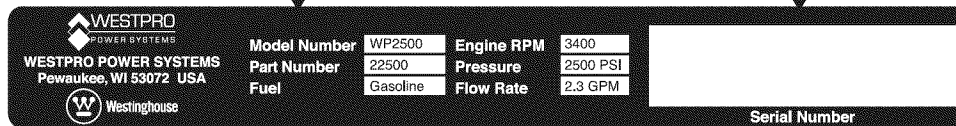
Pewaukee, WI 53072

2. Registre el producto en línea en [www.westpropower.com](http://www.westpropower.com)

Para registrar la hidrolavadora deberá ubicar la siguiente información:

Número de modelo

Número de serie



## Formulario de registro del producto

### INFORMACIÓN PERSONAL

Nombre: \_\_\_\_\_

Apellido: \_\_\_\_\_

Dirección: \_\_\_\_\_

Dirección: \_\_\_\_\_

Ciudad, Estado, Código postal: \_\_\_\_\_

País: \_\_\_\_\_

Número de teléfono: \_\_\_\_\_

Dirección de correo electrónico: \_\_\_\_\_

### INFORMACIÓN SOBRE LA HIDROLAVADORA

Número de modelo: \_\_\_\_\_

Número de serie: \_\_\_\_\_

Fecha de adquisición: \_\_\_\_\_

Comprado a: \_\_\_\_\_



FELICITACIONES POR SER PROPIETARIO DE UNA HIDROLAVADORA WESTINGHOUSE .....	3
Para sus registros .....	3
Registro del producto .....	3
Formulario de registro del producto .....	3
<b>SEGURIDAD .....</b>	<b>7</b>
DEFINICIONES DE SEGURIDAD .....	7
DEFINICIONES DE LOS SÍMBOLOS DE SEGURIDAD .....	7
NORMAS GENERALES DE SEGURIDAD .....	8
ETIQUETAS Y CALCOMANÍAS DE SEGURIDAD .....	10
WP2500 .....	10
WP2800 .....	11
WP3000Z .....	12
<b>DESEMBALAR .....</b>	<b>13</b>
DESEMBALAR LA HIDROLAVADORA .....	13
COMPONENTES .....	13
<b>MONTAJE .....</b>	<b>15</b>
CONJUNTO – WP2500 Y WP2800 .....	15
CONJUNTO – WP3000Z .....	18
<b>CARACTERÍSTICAS .....</b>	<b>22</b>
CARACTERÍSTICAS GENERALES DE LA HIDROLAVADORA .....	22
WP2500 y WP2800 .....	22
WP2500 y WP2800 .....	23
WP3000Z .....	24
WP3000Z .....	25
<b>FUNCIONAMIENTO .....</b>	<b>26</b>
ANTES DE ENCENDER LA HIDROLAVADORA .....	26
PROCEDIMIENTO PARA AGREGAR/CONTROLAR EL COMBUSTIBLE Y LOS LÍQUIDOS DEL MOTOR .....	26
Procedimiento para controlar y/o agregar el aceite para motor .....	26
Procedimiento para agregar gasolina al depósito de combustible .....	27
CONEXIÓN DEL SUMINISTRO DE AGUA .....	27
PUESTA EN MARCHA DE LA HIDROLAVADORA – WP2500 Y WP2800 .....	28
Detener la hidrolavadora .....	30
PUESTA EN MARCHA DE LA HIDROLAVADORA – WP3000Z .....	30
Detener la hidrolavadora .....	32
SELECCIONAR BOQUILLAS .....	33
Cambiar la boquilla .....	34
CONSEJOS PARA PULVERIZACIÓN .....	34
JABÓN DE PULVERIZACIÓN .....	34
ENJUAGUE .....	35
LIMPIEZA DE LA MANGUERA DE TRASVASE DE JABÓN .....	35
<b>MANTENIMIENTO .....</b>	<b>36</b>
MANTENIMIENTO .....	36
Cronograma de mantenimiento .....	36
MANTENIMIENTO DEL ACEITE DEL MOTOR – WP2500 Y WP2800 .....	37
Especificación del aceite del motor .....	37
Procedimiento para controlar el aceite del motor .....	37
Procedimiento para agregar el aceite del motor .....	38
Procedimiento para cambiar el aceite del motor .....	38
MANTENIMIENTO DEL ACEITE DEL MOTOR – WP3000Z .....	39
Especificación del aceite del motor .....	39
Procedimiento para controlar el aceite del motor .....	39
Procedimiento para agregar el aceite del motor .....	40
Procedimiento para cambiar el aceite del motor .....	40
MANTENIMIENTO DEL FILTRO DE AIRE – WP2500 Y WP2800 .....	40
Limpieza del filtro de aire .....	40
MANTENIMIENTO DEL FILTRO DE AIRE – WP3000Z .....	42
MANTENIMIENTO DE BUJÍA .....	43

# ÍNDICE

---

COMPONENTES DE LA HIDROLAVADORA .....	44
Cedazo del filtro de agua .....	44
Manguera de alta presión y pistola atomizadora .....	45
Manguera de alta presión .....	45
Pistola atomizadora.....	45
Manguera de trasvase de jabón .....	45
Boquilla.....	45
DESPUÉS DE CADA USO .....	45
ALMACENAMIENTO DE LARGO PLAZO .....	46
Procedimiento para almacenar la unidad durante 1 a 3 meses .....	46
Procedimiento para almacenar la unidad durante más de tres meses 3.....	46
ALMACENAMIENTO EN INVIERNO .....	46
Retire e instale la bomba – WP2500 y WP2800.....	46
Retire e instale la bomba – WP3000Z .....	47
<b>SOLUCIÓN DE PROBLEMAS.....</b>	<b>48</b>
SOLUCIÓN DE PROBLEMAS .....	48
<b>GARANTÍA.....</b>	<b>50</b>
GARANTÍA LIMITADA DE "TRES AÑOS" DE WESTPRO POWER SYSTEMS.....	50
RESPONSABILIDAD DE WESTPRO .....	50
RESPONSABILIDAD DEL PROPIETARIO.....	50
APLICACIONES Y PERÍODOS DE LA GARANTÍA DEL PRODUCTO .....	50
APLICACIÓN PARA EL CONSUMO .....	50
APLICACIÓN COMERCIAL .....	50
EXCLUSIONES.....	51
EXCLUSIONES DE GARANTÍAS IMPLÍCITAS.....	51
<b>GARANTÍA DE CONTROL DE EMISIONES.....</b>	<b>52</b>
DECLARACIÓN DE GARANTÍA DE CONTROL DE EMISIONES FEDERAL Y/O DE CALIFORNIA .....	52
DERECHOS Y OBLIGACIONES QUE LE CORRESPONDEN EN VIRTUD DE LA GARANTÍA .....	52
COBERTURA DE LA GARANTÍA DEL FABRICANTE.....	52
RESPONSABILIDADES DEL PROPIETARIO EN RELACIÓN CON LA GARANTÍA.....	52
REQUISITOS DE LA GARANTÍA DE DEFECTOS .....	52
PIEZAS GARANTIZADAS:.....	53
PREGUNTAS:.....	54

## DEFINICIONES DE SEGURIDAD

Las palabras PELIGRO, ADVERTENCIA, PRECAUCIÓN y AVISO se usan a lo largo de este manual para destacar la información importante. Asegúrese de que todo aquel que trabaje con el equipo o cerca de él conozca el significado de estas alertas.



Este símbolo de alerta de seguridad aparece con la mayoría de las declaraciones de seguridad. Significa: ¡atención, esté alerta, su seguridad está en riesgo! Lea y respete el mensaje que aparece a continuación del símbolo de alerta de seguridad.



### PELIGRO

Indica una situación de riesgo que, si no se evita, **causará lesiones graves o la muerte.**



### ADVERTENCIA

Indica una situación de riesgo que, si no se evita, **podría causar lesiones graves o la muerte.**



### PRECAUCIÓN

Indica una situación de riesgo que, si no se evita, **podría causar lesiones menores o de gravedad moderada.**

### AVISO

Indica una situación que puede dañar la hidrolavadora, la propiedad personal y/o el entorno, o que puede hacer que el equipo funcione incorrectamente.

**NOTA:** Indica un procedimiento, una práctica o una condición que debe seguirse a fin de que la hidrolavadora funcione conforme al diseño.

## DEFINICIONES DE LOS SÍMBOLOS DE SEGURIDAD

Símbolo	Descripción
	Símbolo de alerta de seguridad
	Peligro de asfixia

Símbolo	Descripción
	Peligro de quemaduras (químicas)
	Peligro de quemaduras
	Peligro de explosión/presión
	No deje las herramientas en la zona
	Peligro de electrocución
	Peligro de explosión
	Peligro de caída
	Peligro de incendio
	Peligro de alta presión
	Peligro de elevación
	Peligro de aplastamiento
	Lea las instrucciones del fabricante
	Lea los mensajes de seguridad antes de proceder
	Use Equipo de Protección Personal (PPE, por sus siglas en inglés)

# SEGURIDAD

## NORMAS GENERALES DE SEGURIDAD

### PELIGRO



NUNCA opere la hidrolavadora en un área cerrada. El escape del motor contiene monóxido de carbono. Sólo debe operar la hidrolavadora en exteriores y alejado de ventanas, puertas y ventilaciones.

### ADVERTENCIA



La gasolina y los vapores de la gasolina son extremadamente inflamables y explosivos en determinadas condiciones.



- SIEMPRE debe hacer la recarga de combustible de la hidrolavadora en exteriores, en una zona bien ventilada.
- NUNCA saque el tapón de combustible con el motor en marcha.
- NUNCA haga la recarga de combustible de la hidrolavadora mientras el motor está en marcha. Apague siempre el motor y deje que se enfríe la hidrolavadora antes de recargar combustible.
- Siempre cargue el depósito de combustible con gasolina.
- Cuando realice la recarga, mantenga alejadas las chispas, llamas abiertas u otras formas de ignición (como cerillos, cigarrillos, fuentes de electricidad estática).
- NUNCA sobrecargue el depósito de combustible. Deje espacio para la expansión del combustible. La sobrecarga del depósito de combustible puede producir un desbordamiento repentino de gasolina y hacer que la gasolina derramada tome contacto con superficies CALIENTES. El combustible derramado puede encenderse. Si se derrama combustible sobre la hidrolavadora, debe eliminar los derrames de inmediato. Deseche los trapos como corresponda. Deje que se seque la superficie donde se produjo el derrame antes de operar la hidrolavadora.
- Utilice protección ocular durante la recarga de combustible.
- NUNCA utilice gasolina como agente de limpieza.
- Almacene los recipientes que contienen gasolina en una zona bien ventilada, alejada de los combustibles o las fuentes de encendido.
- Controle si hay pérdidas de combustible después de la recarga de combustible. Nunca opere el motor si se descubre que hay una fuga de combustible.

### ADVERTENCIA



Este equipo produce una corriente de agua con suficiente alta presión como para penetrar la piel y sus tejidos subyacentes, lo que podría tener como consecuencia una amputación o lesión grave. La pistola atomizadora atrapa agua de alta presión, incluso cuando el motor esté detenido y el agua desconectada. Las pérdidas causadas por accesorios sueltos o mangueras gastadas o dañadas pueden tener como consecuencia lesiones por inyección. ¡NO TRATE A UNA INYECCIÓN DE LÍQUIDO COMO UN SIMPLE CORTE! ¡Vea a un médico de inmediato!

- NUNCA apunte con la pistola atomizadora a la gente, animales o plantas. Atomice en forma directa lejos de usted mismo y de otros.
- NUNCA coloque sus manos delante de la boquilla.
- SIEMPRE apunte la pistola atomizadora en una dirección segura mientras al vaporizar y cuando alivie la presión alta retenida después de detener el motor.
- NO deje que NIÑOS operen la hidrolavadora.
- NUNCA deje la pistola atomizadora sin vigilancia mientras la máquina esté funcionando.
- NUNCA sujete la pistola atomizadora en posición abierta.
- NO doble la boquilla mientras está rociando.
- NUNCA repare una manguera de alta presión. SIEMPRE sustitúyala
- NUNCA repare conexiones que gotean con material de sellado de cualquier tipo. SIEMPRE utilice repuestos recomendados por la fábrica.
- NUNCA sujete a la manguera o accesorios durante la operación.
- NO deje que la manguera de alta presión esté en contacto con el silenciador u otras superficies extremadamente calientes.
- SIEMPRE asegúrese de que la pistola atomizadora, las boquillas y mangueras estén correctamente adheridas y en estado de funcionamiento.
- NUNCA utilice la pistola atomizadora si el bloqueo del disparador no se encuentra en estado de funcionamiento.
- SIEMPRE utilice la pistola atomizadora, mangueras y conexiones clasificadas para una presión mayor que la PSI de su hidrolavadora.
- NUNCA adhiera o extraiga la pistola atomizadora, boquillas y mangueras mientras el sistema esté presurizado.

## ADVERTENCIA

- **NUNCA modifique el equipamiento del atomizador.**
- **SIEMPRE use indumentaria protectora para proteger sus ojos y piel del contacto con materiales pulverizados.**



**NUNCA apunte el atomizador en la dirección de la fuente de alimentación. El contacto con la fuente de alimentación puede provocar electrocución o quemadura.**



**Usted podría caerse a causa de una reacción violenta inesperada mientras esté atomizando.**

- **El uso de la hidrolavadora puede crear superficies resbaladizas y charcos. El área de funcionamiento de este equipo debe tener drenaje apropiado para reducir la posibilidad de una caída debido a superficies resbaladizas.**
- **Sea extremadamente cuidadoso si es necesario usar la hidrolavadora desde una escalera, andamio u otro lugar similar.**
- **Use ambas manos para presionar la pistola atomizadora cuando esté en uso para evitar lesiones por reacciones violentas de alta presión.**



**NUNCA utilice ácidos, productos químicos tóxicos o corrosivos, venenos, insecticidas o cualquier otro tipo de solvente inflamable con este equipo. Sólo utilice detergentes, limpiadores y desengrasantes recomendados para uso en la hidrolavadora.**



**SIEMPRE use gafas de seguridad protectoras contra salpicaduras químicas que cumplen con ANSI Z87.1 al estar operando o en los alrededores de este equipo.**



**SIEMPRE retire de la hidrolavadora las herramientas u otros equipos de servicio que se utilicen durante el mantenimiento antes de usarla.**

## AVISO

NUNCA opere la hidrolavadora con piezas dañadas o faltantes.

NUNCA modifique ninguna función o componente de la hidrolavadora.

NUNCA atomice en vidrio cuando utilice la boquilla de alta presión (roja). El atomizador de alta presión puede dañar objetos frágiles incluso vidrio.

NO exceda la presión nominal al operar la hidrolavadora.

NUNCA mueva la hidrolavadora tirando de cualquier manguera. Siempre use la manija para mover la hidrolavadora.

Verifique los componentes por la formación de hielo en componentes al funcionar en clima frío.

Quite las cubiertas de envío de la entrada y salida de agua de la bomba.

Asegúrese de que el suministro de agua esté conectado y abierto antes de encender el motor. Se podría provocar daño a la bomba y dejará sin validez la garantía.

El suministro de agua debe proporcionar un mínimo de 3,8 gal (14,3 L) por minuto y al menos 30 psi (2 bar). No succione agua estancada para el suministro de agua. La temperatura de agua no debe exceder 100°F (37,7°C).

NO instale una válvula unidireccional, interruptor de vacío o válvula de retención en la entrada de agua de la bomba. Instalar uno de estos dispositivos en la entrada de agua de la bomba podría causar daño a la bomba y dejar sin validez la garantía. Deje al menos 10 pies (3 m) de distancia de la manguera libre entre la entrada de agua de la bomba y una válvula unidireccional, interruptor de vacío o válvula de retención

# SEGURIDAD

## ETIQUETAS Y CALCOMANÍAS DE SEGURIDAD

WP2500

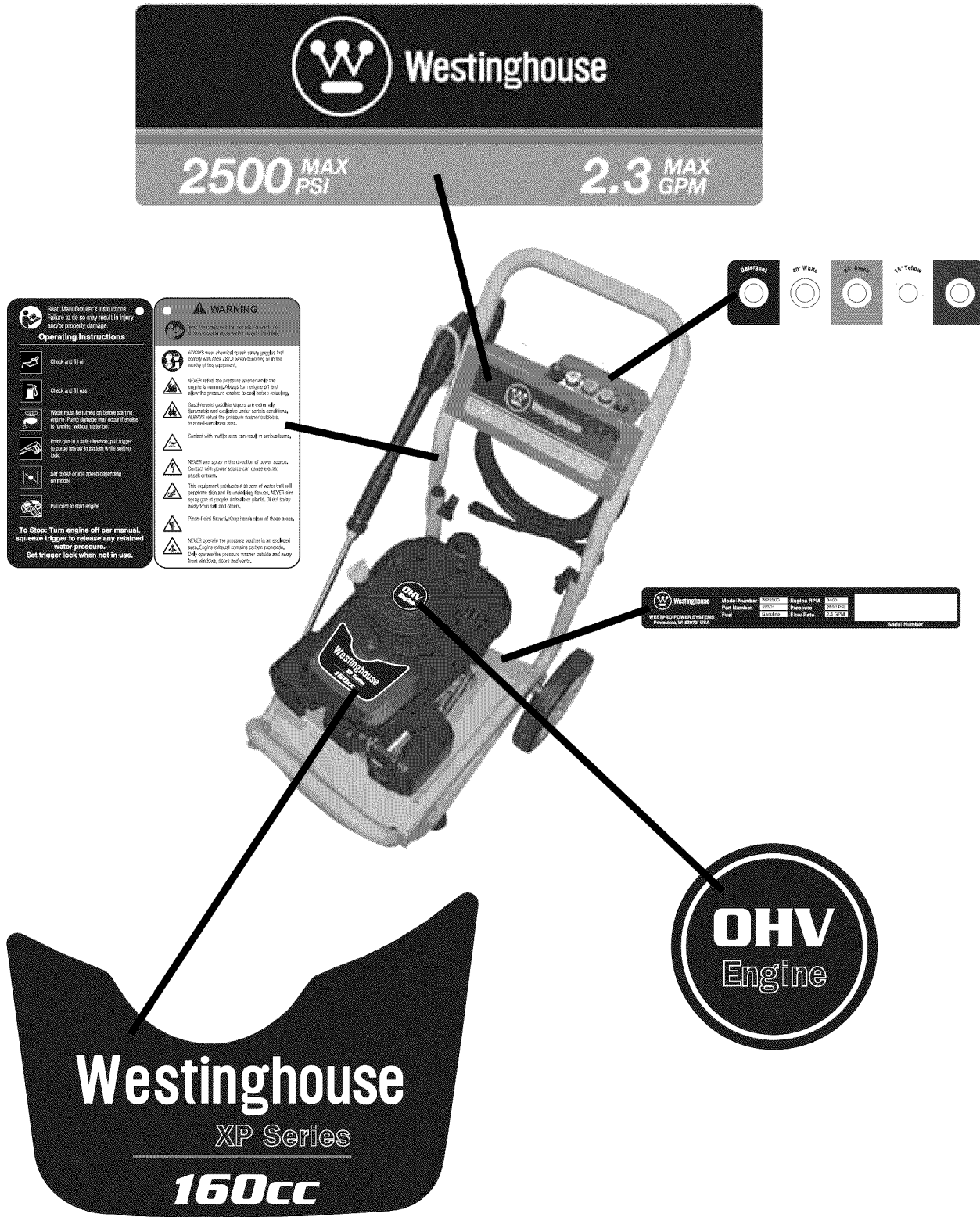


Figura 1



## WP2800

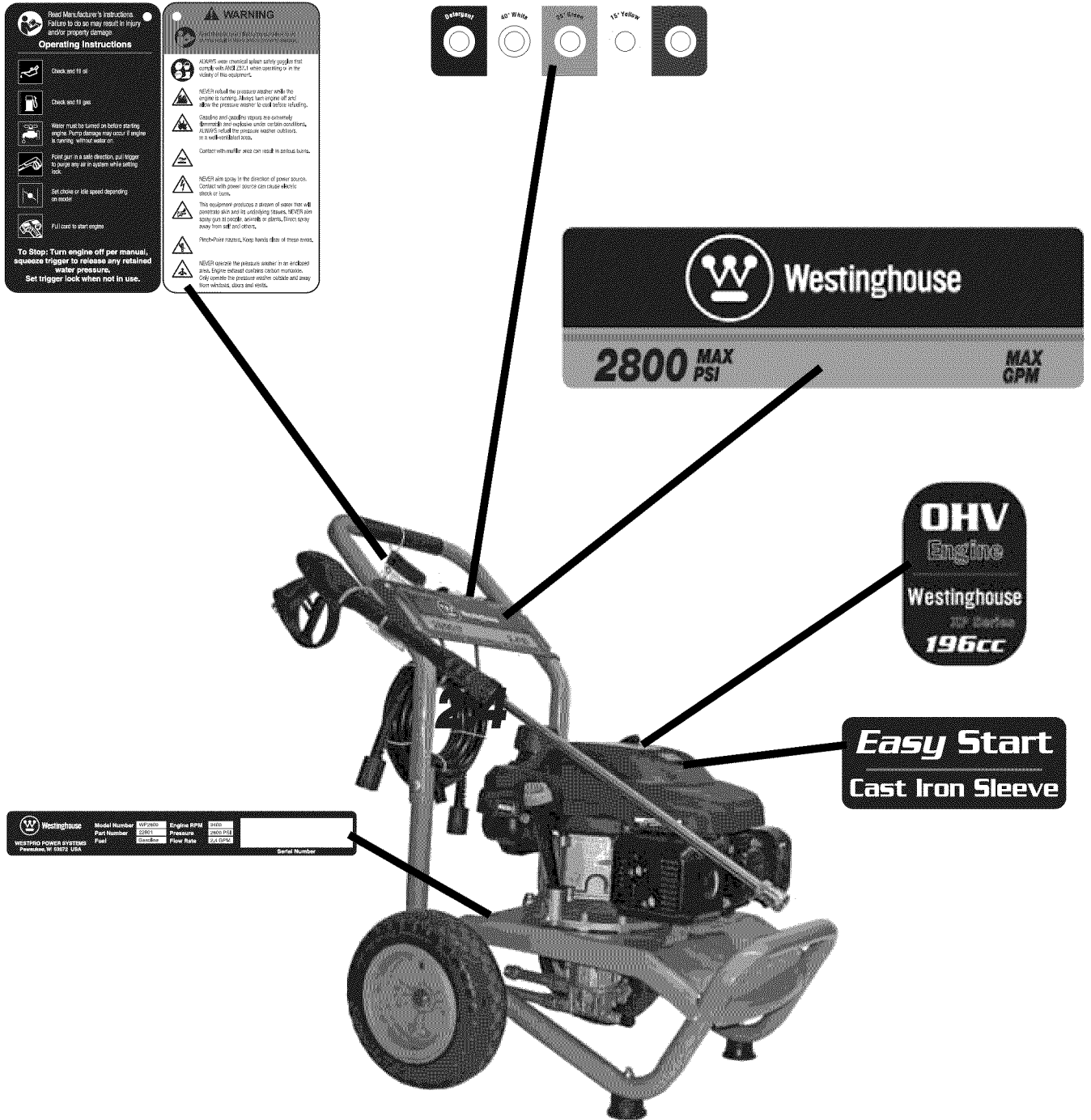


Figura 2

# SEGURIDAD

WP3000Z



**Read Manufacturer's Instructions**  
Failure to do so may result in injury and/or property damage.

**Operating Instructions**

- Check and fill oil
- Check and fill gas
- Water must be turned on before starting engine. Pump through one cycle if engine is running without water on.
- Point gun in a safe direction, just trigger to purge any air in system while setting box.
- Get closer or take speed depending on mode.
- Pull cord to start engine.

**To Stop:** Turn engine off per manual, squeeze trigger to release any retained water pressure.  
Set trigger lock when not in use.

**WARNING**

NEVER use electrical tools or appliances that could be used with this equipment in the vicinity of this equipment.

NEVER refill the pressure washer while the engine is running. Always turn engine off and allow the pressure washer to cool before refilling.

Gasoline and gasoline vapors are extremely flammable and explosive under certain conditions. Accidents related to the pressure washer customer in a well-ventilated area.

Contact with multiple areas can result in serious burns.

NEVER aim spray in the direction of power source, contact with power source can cause electric shock or burn.

This equipment produces a stream of water that will penetrate skin and its surface. Any injury, NEVER use safety gun in possible, harmful or gloves, direct safety gear from the tool.



Face-to-face contact. Keep hands clear of those areas.

NEVER operate the pressure washer in an enclosed area. Engine exhaust contains carbon monoxide. Only operate the pressure washer outside and away from vehicles, doors and vents.

Westinghouse WESTPRO POWER SYSTEMS Pewaukee, WI 53072 USA	Model Number	WP3000Z	Engine RPM	3400	Serial Number
	Part Number	23002	Pressure	3000 PSI	
	Fuel	Gasoline	Flow Rate	2.8 GPM	

Figura 3

## DESEMBALAR LA HIDROLAVADORA

<b>⚠ PRECAUCIÓN</b>	
	<b>Siempre tenga asistencia al levantar la hidrolavadora. La hidrolavadora es pesada, levantarla puede causarle lesiones físicas.</b>
	<b>Evite cortar sobre o cerca de grapas para evitar lesiones personales.</b>

Se requieren las siguientes herramientas:

- Boxicortadora o dispositivo similar
  - Llave de 8 mm
  - Llave de 17 mm (WP2500)
  - Llave de 13 mm (WP3000Z)
1. Corte con cuidado la cinta de embalar que está en la parte superior de la caja.
  2. Doble hacia abajo las solapas superiores para mostrar el manual del propietario. Extraiga el manual del propietario y guárdelo para referencia.
  3. Corte con cuidado dos costados de la caja para extraer la hidrolavadora.

## COMPONENTES

Verifique los contenidos con la siguiente lista. Si falta alguna pieza, ubique a un distribuidor autorizado de Westinghouse en [www.westpropower.com](http://www.westpropower.com) o llame al 1-855-WHHELP1 (1-855-944-3571).

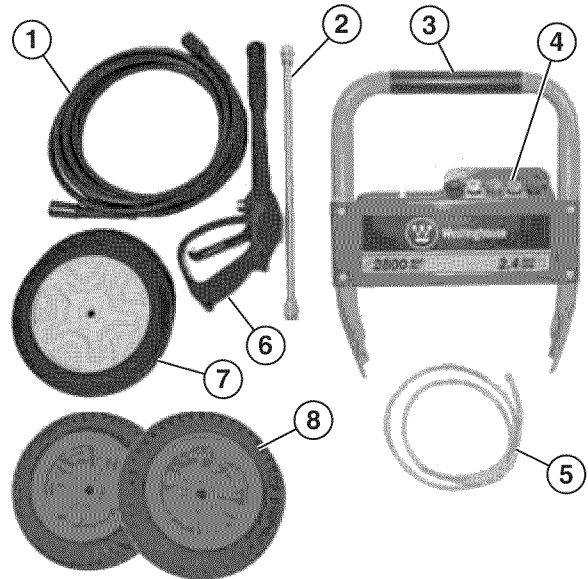


Figura 4 – Procedimiento para desembalar la unidad

- |                                  |                                 |
|----------------------------------|---------------------------------|
| 1 - Manguera de alta presión (1) | 5 - Manguera de jabón (1)       |
| 2 - Varilla pulverizadora (1)    | 6 - Pistola atomizadora (1)     |
| 3 - Manija superior (1)          | 7 - Ruedas (2) WP2500           |
| 4 - Boquillas (5)                | 8 - Ruedas (2) WP2800 y WP3000Z |

**NOTA:** También se incluye una botella de aceite SAE 10W30 de 0,6 litros. No se incluye el depósito de jabón.

# DESEMBALAR

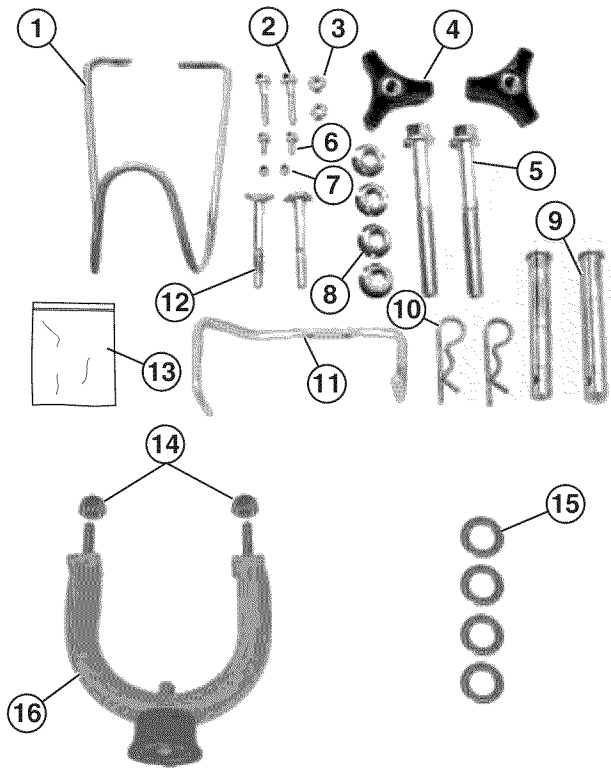


Figura 5 – Hardware

- |   |   |
|---|---|
| 1 - Soporte de la manguera (1)                                  | 10 - Eje de rueda   |
| 2 - Pistola atomizadora   | Pasador de seguridad (2)  |
| Pernos del soporte M6 x 45 mm (2)                               | WP2800 y WP3000Z  |
| 3 - Pistola atomizadora   | 11 - Soporte de pistola atomizadora   |
| Tuercas del soporte M6 (2)                                      | 12 - Manija superior  |
| 4 - Perillas de la manija (2)                                   | Pernos (2)  |
| 5 - Brida de eje de rueda Pernos M12 x 105 mm (2) WP2500        | 13 - Repuestos: Juntas tóricas de manguera de alta presión (2) Cedazos de entrada (2) |
| 6 - Pernos del soporte de la manguera M5 x 10 mm (2)            | 14 - Tuercas M8 (2) WP3000Z   |
| 7 - Tuercas del soporte de la manguera M5 (2)                   | 15 - Arandelas de eje (4) WP2800 y WP3000Z  |
| 8 - Tuerca de brida dentada M12 (4) WP2500                      | 16 - Soporte delantero WP3000Z  |
| 9 - Pasador de eje de rueda 16 mm x 105 mm (2) WP2800 y WP3000Z |   |

## CONJUNTO – WP2500 Y WP2800



Antes de ensamblar la hidrolavadora, repase la sección Seguridad de página 7 y los siguientes mensajes de seguridad.

### ⚠ PRECAUCIÓN



Nunca levante la hidrolavadora sin ayuda. La hidrolavadora es pesada y levantarla sin ayuda podría causarle lesiones personales.



Nunca utilice las manijas como punto de elevación para sostener todo el peso de la hidrolavadora. Utilice las manijas sólo para mover la hidrolavadora levantando las manijas y usando las ruedas para mover la hidrolavadora.



Sea precavido al plegar las manijas. Podrían quedarle atrapados las manos y los dedos y ser apretados.

### AVISO

El armado de la hidrolavadora requerirá inclinar la unidad. Asegúrese de que todo el aceite del motor y el combustible se drenen de la unidad antes del ensamblado.

Una vez armadas, las ruedas no están destinadas para uso en la calle. Las ruedas están diseñadas para uso en esta hidrolavadora únicamente.

Nunca incline la hidrolavadora después de que haya sido armada por completo y se le haya cargado aceite y combustible.

1. Coloque la hidrolavadora en una superficie plana.
2. Coloque un trozo de cartón u otro material blando para inclinar la hidrolavadora, a fin de proteger la pintura del bastidor y evitar que la hidrolavadora se deslice. Incline la hidrolavadora sobre la parte frontal como se muestra en la Figura 6.

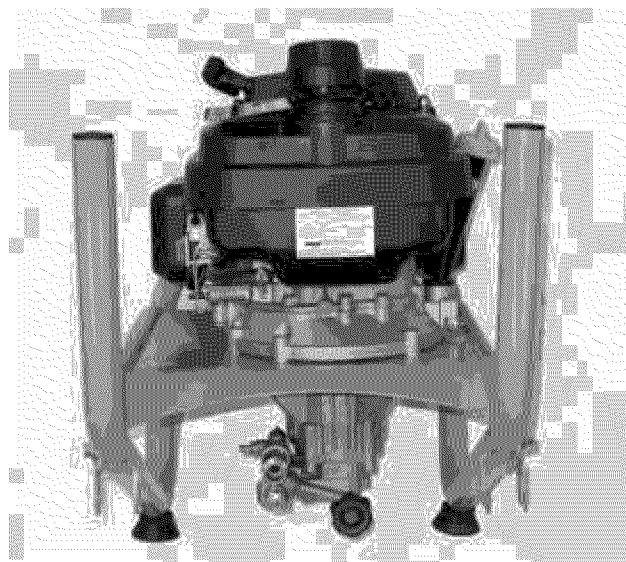


Figura 6 – Incline la hidrolavadora sobre la parte frontal

3. WP2500 únicamente: Instale el perno de brida del eje de rueda M12 x 105 mm a través de la rueda (Ver Figura 7).

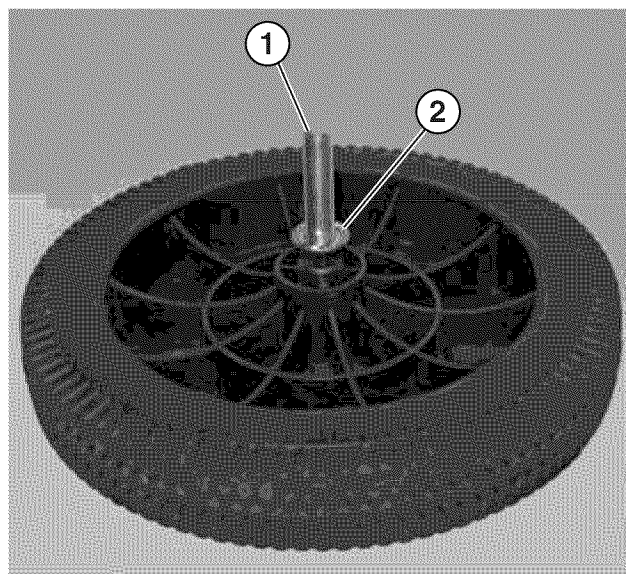


Figura 7 – Colocación de la tuerca de brida dentada exterior WP2500

- 1 - Perno de brida del eje de la rueda      2 - Tuerca de brida dentada

4. WP2500 únicamente: Enrosque la tuerca de brida dentada M12 al perno con los bordes dentados orientados en sentido contrario a la rueda. Apriete la tuerca (Ver Figura 7).

# MONTAJE

5. WP2500 únicamente: Coloque la rueda con el perno a través del separador y el bastidor (Ver Figura 8).

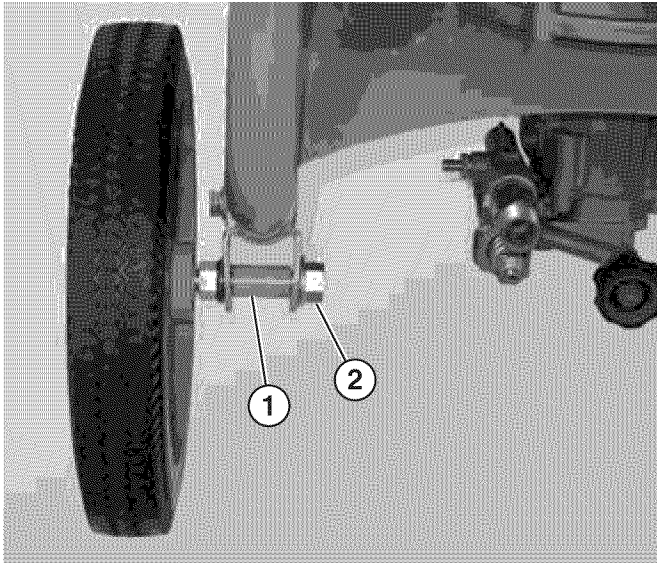


Figura 8 – Ensamble las ruedas al bastidor WP2500

- 1 - Separador                      2 - Tuerca de brida dentada

6. WP2500 únicamente: Coloque la tuerca de brida dentada y apriete (Ver Figura 8).  
 7. WP2800 únicamente: deslice la arandela del eje de la rueda al pasador del eje de la rueda (Ver Figura 9).

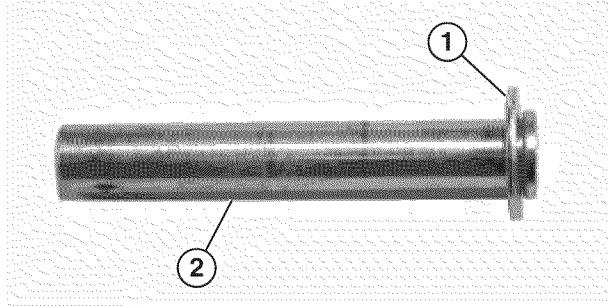


Figura 9 – Colocación de la arandela del eje de la rueda WP2800

- 1 - Eje de rueda  
Arandela                      2 - Pasador de eje de rueda

8. WP2800 únicamente: Coloque el pasador del eje a través del soporte del eje y sujételo con el pasador de seguridad (Ver Figura 10).

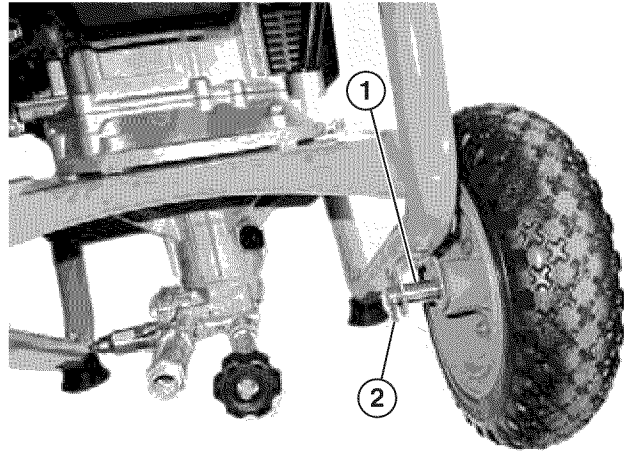


Figura 10 – Instalación del eje de la rueda

- 1 - Pasador de eje de rueda                      2 - Eje de rueda Pasador de seguridad

9. Instale el soporte de la manguera a la manija utilizando los pernos y tuercas M5 (Ver Figura 11).

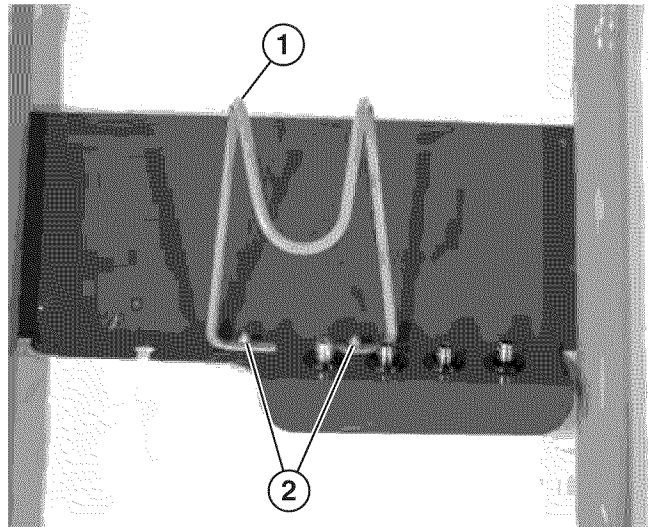


Figura 11 – Instalación del soporte de la manguera

- 1 - Soporte de la manguera                      2 - Pernos y tuercas M5

10. Instale la manija superior en la estructura utilizando los pernos y perillas de la manija (Ver Figura 12).

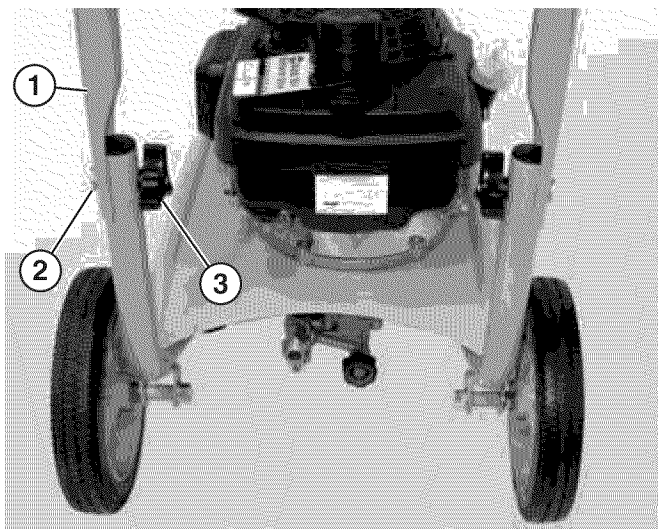


Figura 12 – Instalación de la manija superior

- 1 - Manija superior      3 - Perilla  
2 - Perno de manija

11. Coloque el soporte de la pistola atomizadora con los pernos y tuercas M6 (Ver Figura 13).

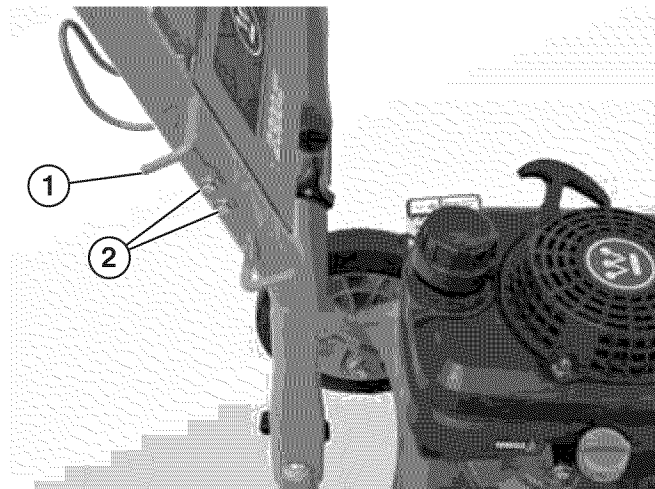


Figura 13 – Instalación del soporte de la pistola atomizadora

- 1 - Pistola atomizadora  
Soporte      2 - Pernos y tuercas  
M6

12. Conecte la varilla a la pistola atomizadora y gire el accesorio en sentido contrario a las agujas del reloj para ajustarlo (Ver Figura 14). No apriete demasiado. El accesorio sólo se debe ajustar a mano.

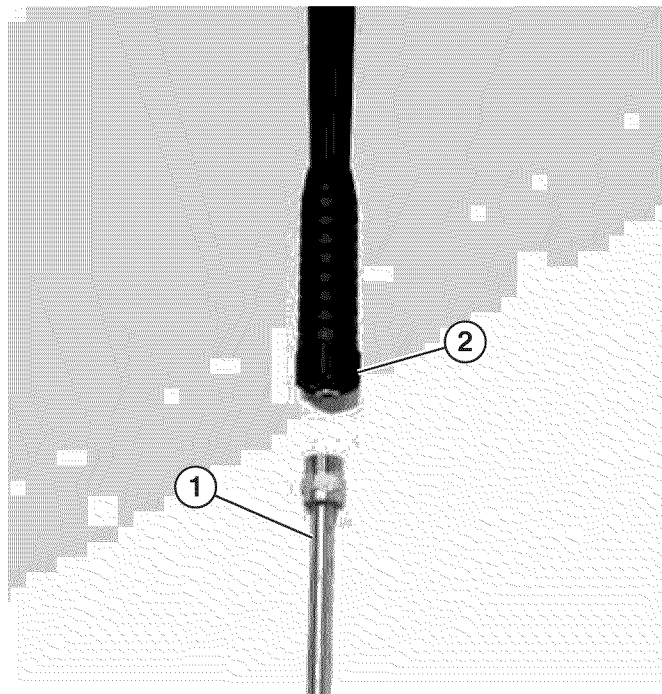


Figura 14 – Conexión de varilla pulverizadora

- 1 - Varilla pulverizadora      2 - Accesorio

13. Inspeccione las juntas tóricas a ambos lados de la manguera de alta presión. Humedezca las juntas tóricas con agua (Ver Figura 15).

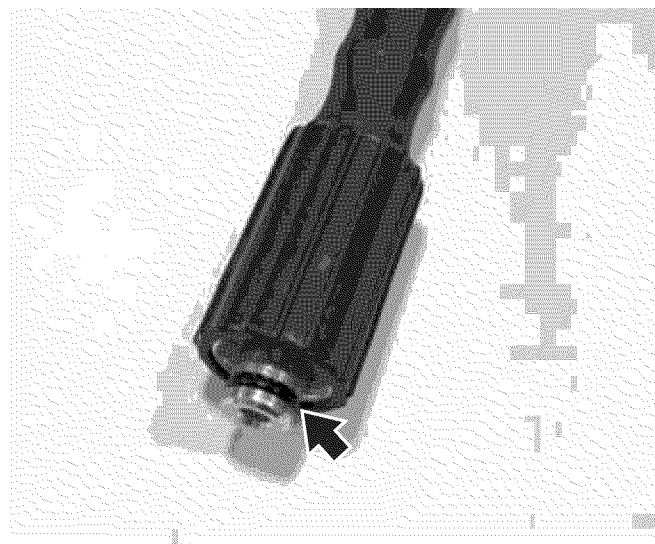


Figura 15 – Juntas tóricas de manguera de alta presión

# MONTAJE

14. Conecte la manguera de alta presión a la bomba y ajuste el accesorio de la manguera (Ver Figura 16). No apriete demasiado. El accesorio sólo se debe ajustar a mano.

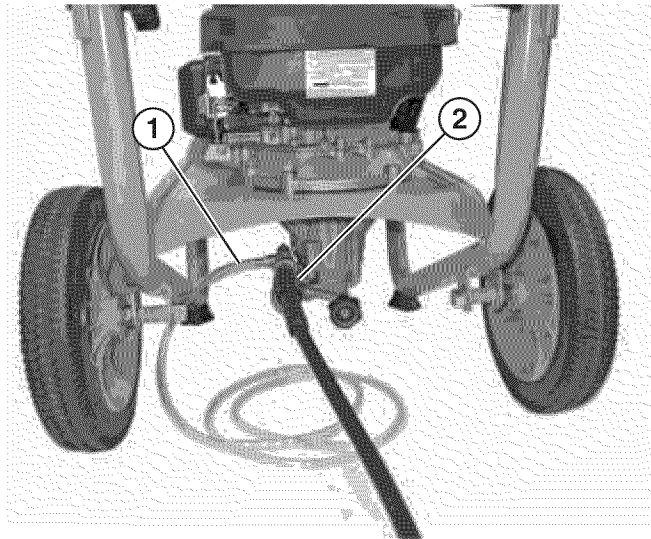


Figura 16 – Se muestra la instalación de la manguera de alta presión WP2500

- 1 - Manguera de jabón      2 - Accesorio de la manguera

15. Conecte la manguera de jabón al accesorio dentado si va a utilizar jabón (Ver Figura 16).
16. Gire el bloqueo del disparador hacia arriba para trabar el disparador en la posición **OFF (Apagado)** (Ver Figura 17).

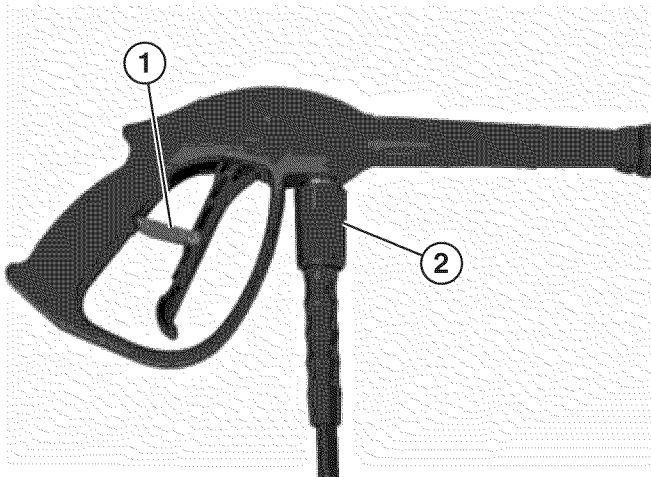


Figura 17 – Bloqueo del disparador en posición OFF (apagado)

- 1 - Bloqueo del disparador      2 - Accesorio de la manguera

17. Instale la manguera de alta presión a la pistola atomizadora y ajuste el accesorio de la manguera (Ver Figura 17). No apriete demasiado. El accesorio sólo se debe ajustar a mano.

## CONJUNTO – WP3000Z



Antes de ensamblar la hidrolavadora, repase la sección *Seguridad* en la página 7 y los siguientes mensajes de seguridad.

### PRECAUCIÓN



Nunca levante la hidrolavadora sin ayuda. La hidrolavadora es pesada y levantarla sin ayuda podría causarle lesiones personales.



Nunca utilice las manijas como punto de elevación para sostener todo el peso de la hidrolavadora. Utilice las manijas sólo para mover la hidrolavadora levantando las manijas y usando las ruedas para mover la hidrolavadora.



Sea precavido al plegar las manijas. Podrían quedarle atrapados las manos y los dedos y ser apretados.

### AVISO

El armado de la hidrolavadora requerirá inclinar la unidad. Asegúrese de que todo el aceite del motor y el combustible se drenen de la unidad antes del ensamblado.

Una vez armadas, las ruedas no están destinadas para uso en la calle. Las ruedas están diseñadas para uso en esta hidrolavadora únicamente.

Nunca incline la hidrolavadora después de que haya sido armada por completo y se le haya cargado aceite y combustible.

1. Coloque la hidrolavadora en una superficie plana.
2. Instale la manija superior en la estructura utilizando los pernos y perillas de la manija (Ver Figura 18).



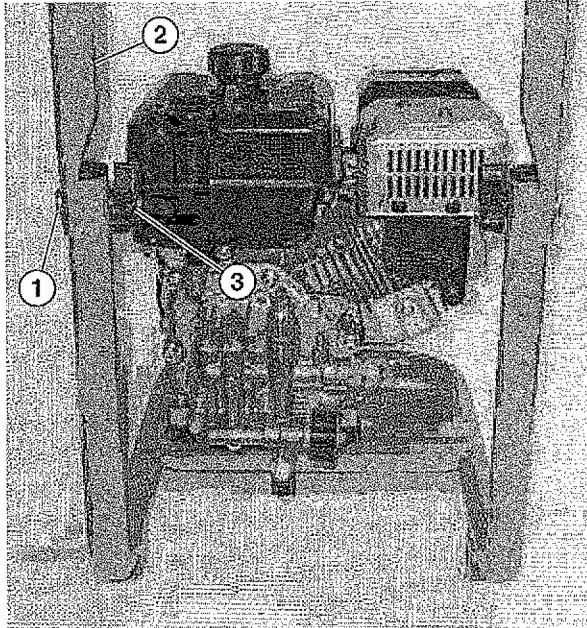


Figura 18 – Instalación de la manija superior

- 1 - Perno de manija      3 - Perilla  
 2 - Manija superior
3. Deslice la arandela del eje de la rueda al pasador del eje de la rueda (Ver Figura 19).

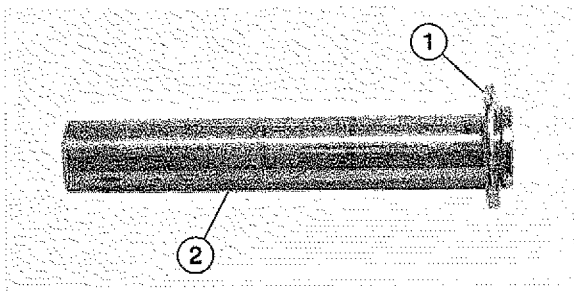


Figura 19 – Instalación de la arandela del eje de rueda

- 1 - Arandela de eje      2 - Pasador de eje de rueda
4. Instale el pasador dentro del conjunto de la rueda.  
 5. Instale el pasador a través de los orificios de montaje del eje. Instale una arandela en el pasador del eje (Ver Figura 20).

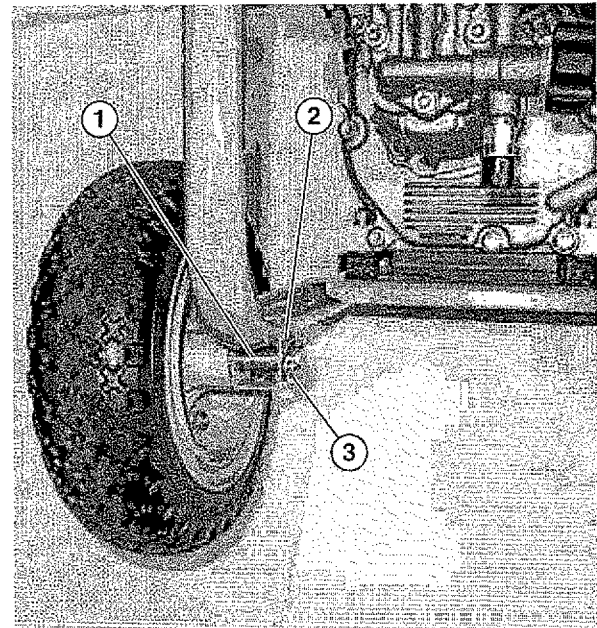


Figura 20 – Instalación de la arandela del eje de rueda

- 1 - Pasador de eje de rueda      3 - Pasador de seguridad del eje de la rueda  
 2 - Eje de rueda Arandela
6. Asegure el pasador de eje de la rueda en posición con el pasador de seguridad del eje de la rueda (Ver Figura 20).  
 7. Instale el soporte delantero con las dos tuercas de soporte delanteras (M8). Apriete bien las tuercas (Ver Figura 21).

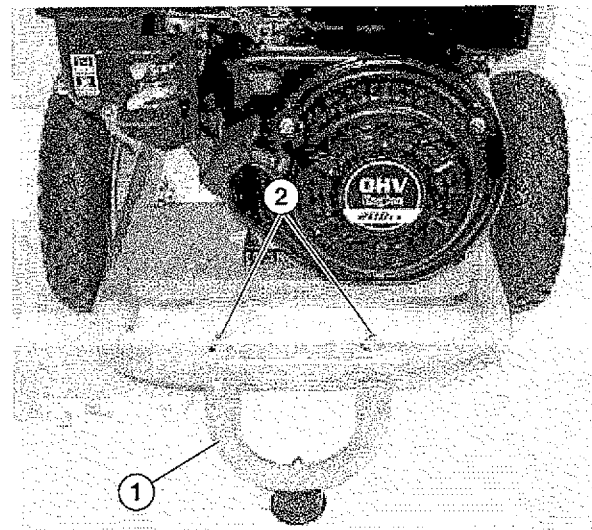


Figura 21 – Instalación del soporte delantero

- 1 - Soporte delantero      2 - Tuercas del soporte delantero (M8)

# MONTAJE

8. Instale el soporte de pistola atomizadora con las dos tuercas y los pernos (M6) del soporte de pistola atomizadora. Apriételos bien (Ver Figura 22).

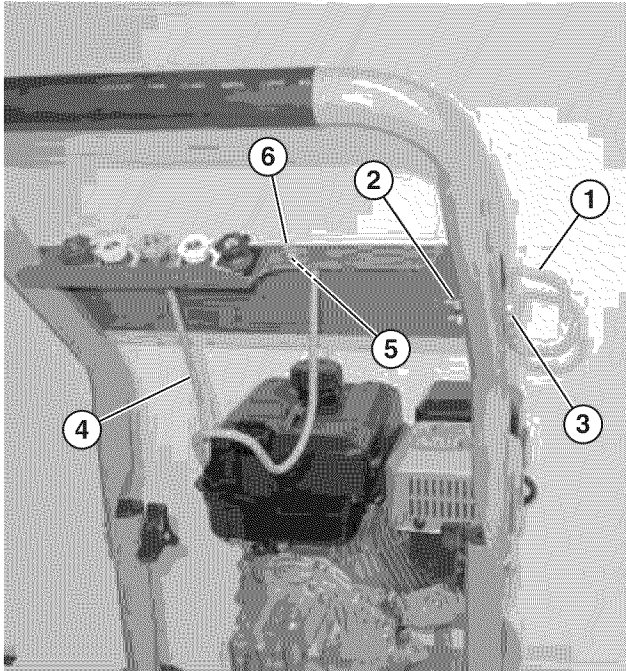


Figura 22 – Instalación del soporte de pistola atomizadora y el soporte de la manguera

- |  |   |
|--|---|
| 1 - Soporte de pistola atomizadora                         | 4 - Soporte de la manguera                        |
| 2 - Tuercas (M6) del soporte de pistola atomizadora        | 5 - Tuercas M6 del soporte de la manguera         |
| 3 - Pistola atomizadora<br>Pernos del soporte (M6 x 45 mm) | 6 - Soporte de la manguera<br>Pernos (M6 x 10 mm) |

9. Instale el soporte de la manguera con las dos tuercas y los pernos (M6) del soporte de la manguera. Apriételos bien (Ver Figura 22).

10. Conecte la varilla a la pistola atomizadora y gire el accesorio en sentido contrario a las agujas del reloj para ajustarlo (Ver Figura 23). No apriete demasiado. El accesorio sólo se debe ajustar a mano.

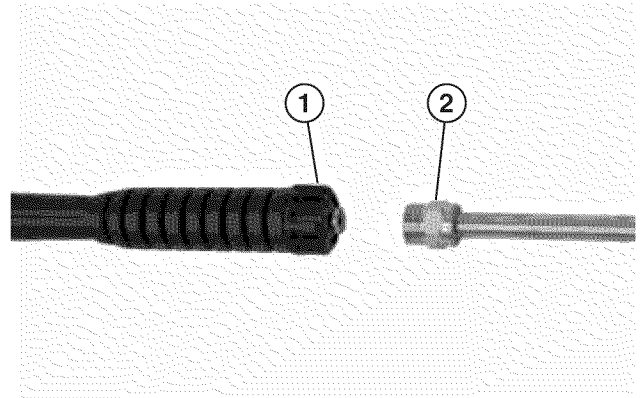


Figura 23 – Conexión de varilla pulverizadora

- |               |                           |
|---------------|---------------------------|
| 1 - Accesorio | 2 - Varilla pulverizadora |
|---------------|---------------------------|

11. Inspeccione las juntas tóricas a ambos lados de la manguera de alta presión. Humedezca las juntas tóricas con agua (Ver Figura 24).

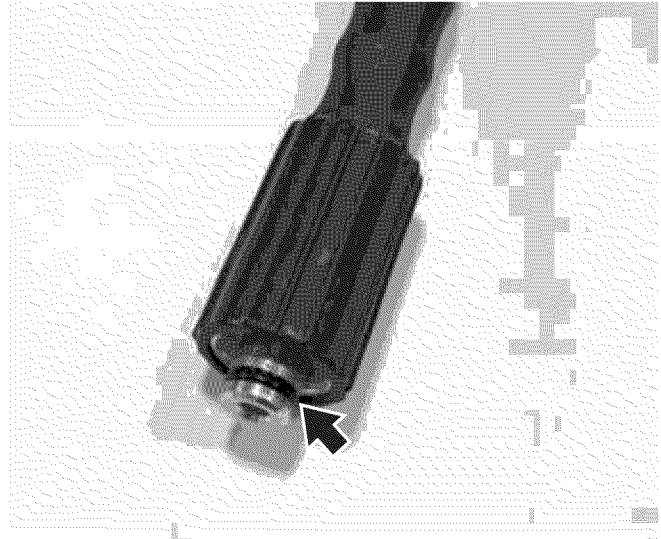


Figura 24 – Juntas tóricas de manguera de alta presión

12. Conecte la manguera de alta presión a la bomba y ajuste el accesorio de la manguera (Ver Figura 25). No apriete demasiado. El accesorio sólo se debe ajustar a mano.

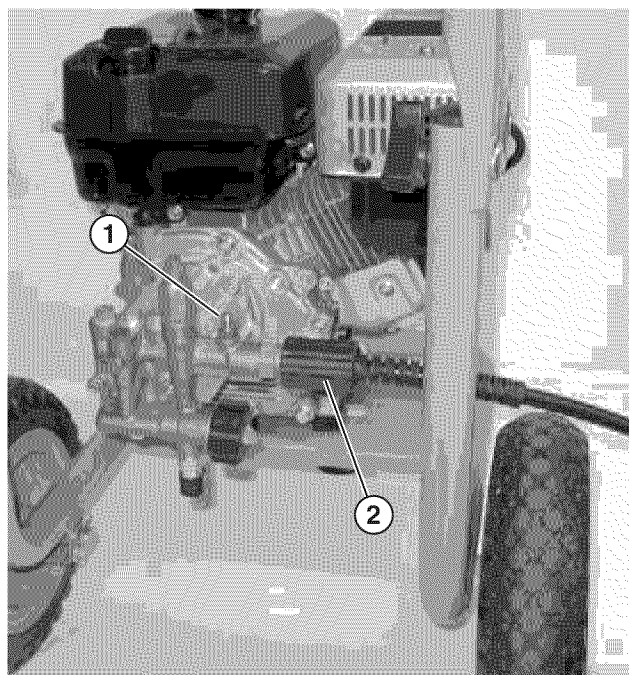


Figura 25 – Instalación de la manguera de alta presión – WP3000Z

- 1 - Accesorio de la manguera de jabón      2 - Accesorio de la manguera

13. Conecte la manguera de jabón al accesorio dentado si va a utilizar jabón (Ver Figura 25).
14. Gire el bloqueo del disparador hacia arriba para trabar el disparador en la posición **OFF (Apagado)** (Ver Figura 26).

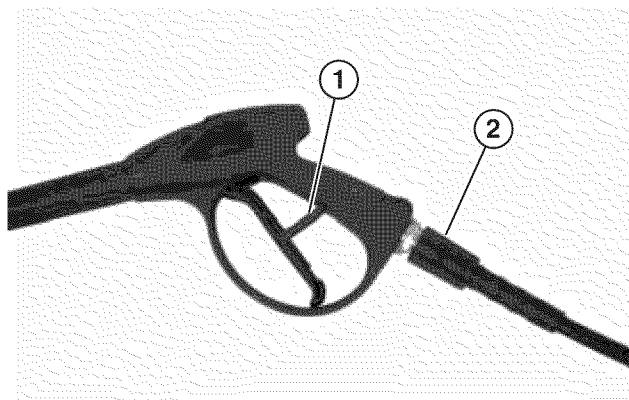


Figura 26 – Bloqueo del disparador en posición OFF (apagado)

- 1 - Bloqueo del disparador      2 - Accesorio de la manguera

15. Instale la manguera de alta presión a la pistola atomizadora y ajuste el accesorio de la manguera (Ver Figura 26). No apriete demasiado. El accesorio sólo se debe ajustar a mano.

# CARACTERÍSTICAS

## CARACTERÍSTICAS GENERALES DE LA HIDROLAVADORA

WP2500 y WP2800



Figura 27

- |                             |   |
|-----------------------------|---|
| 1 - Pistola atomizadora     | 5 - Tapón de drenaje del aceite                               |
| 2 - Depósito de la boquilla | 6 - Tapón de llenado/varilla de medición del aceite del motor |
| 3 - Bujía de encendido      | 7 - Manguera de alta presión                                  |
| 4 - Perilla de cebado       | 8 - Depósito de la pistola atomizadora                        |

WP2500 y WP2800

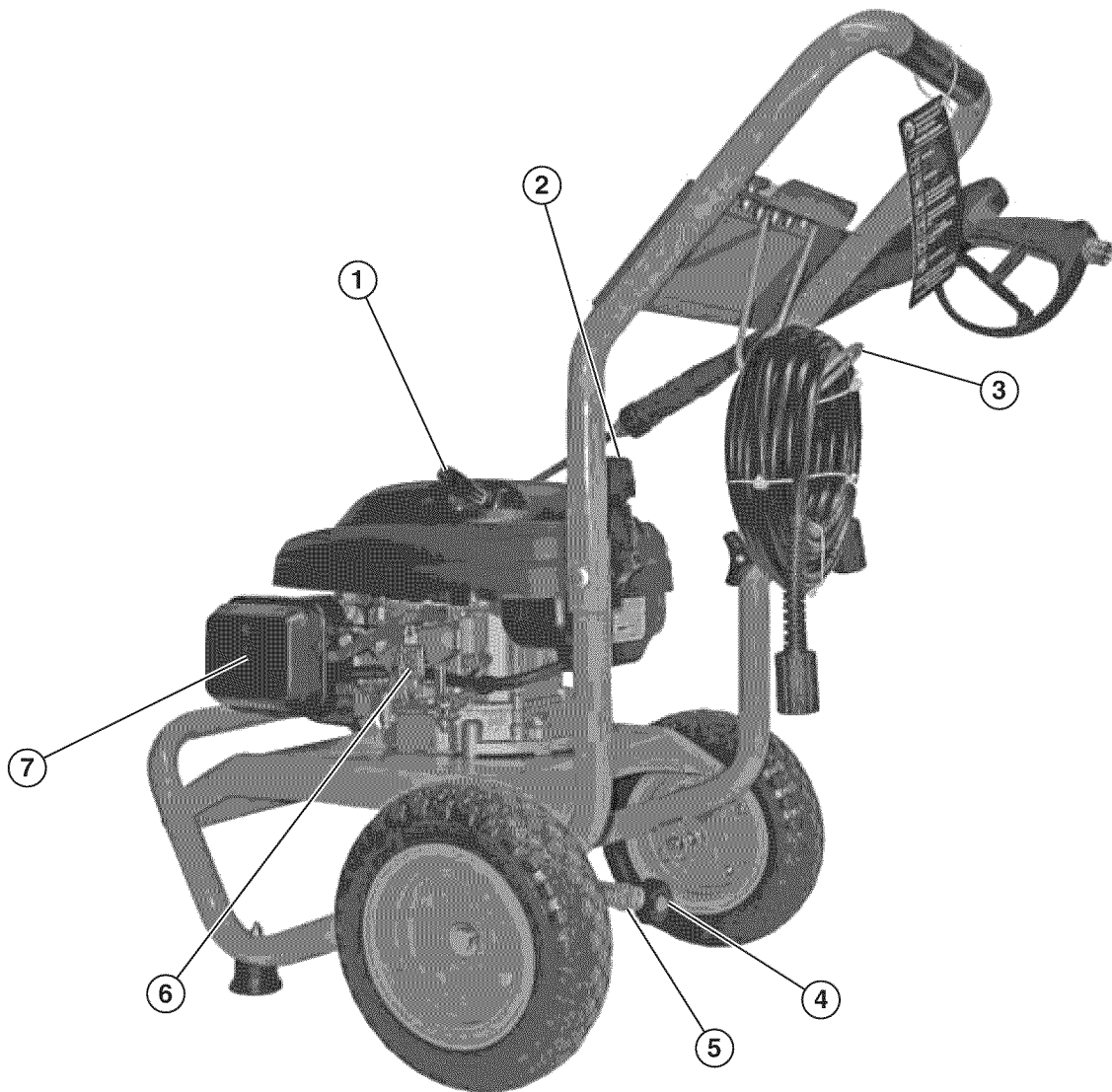


Figura 28

- |                                  |  |
|----------------------------------|--|
| 1 - Manija del motor de arranque | 5 - Casquillo de salida de alta presión    |
| 2 - Tapón de combustible         | 6 - Interruptor ON/OFF (Encendido/Apagado) |
| 3 - Depósito de la manguera      | 7 - Depurador de aire                      |
| 4 - Casquillo de entrada de agua |  |

# CARACTERÍSTICAS

WP3000Z

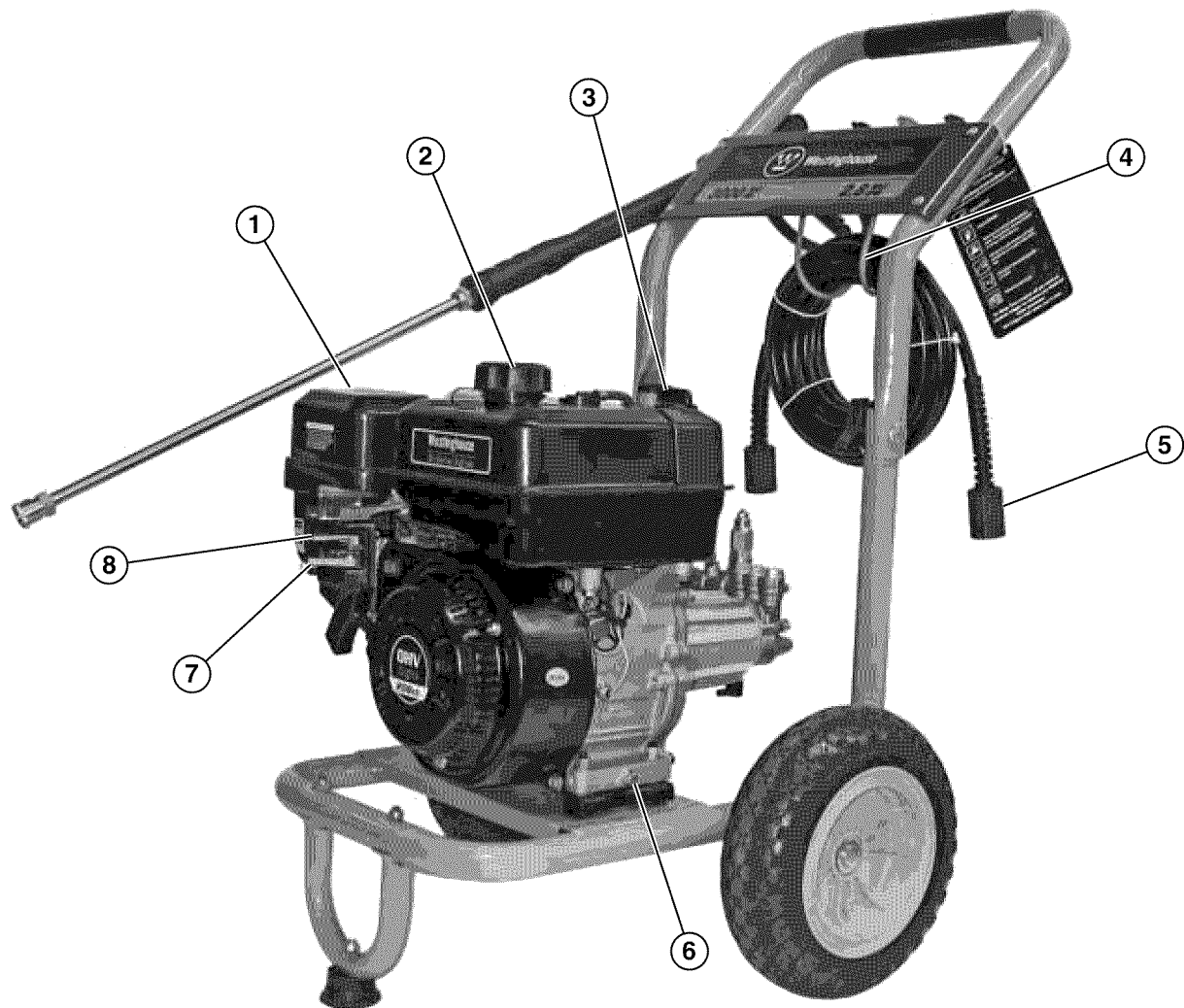


Figura 29

- |   |                                      |
|---|--------------------------------------|
| 1 - Depurador de aire   | 5 - Manguera de alta presión         |
| 2 - Tapón de combustible                                      | 6 - Tapón de drenaje del aceite      |
| 3 - Tapón de llenado/varilla de medición del aceite del motor | 7 - Palanca de cierre de combustible |
| 4 - Soporte de la manguera                                    | 8 - Palanca del cebador              |

WP3000Z

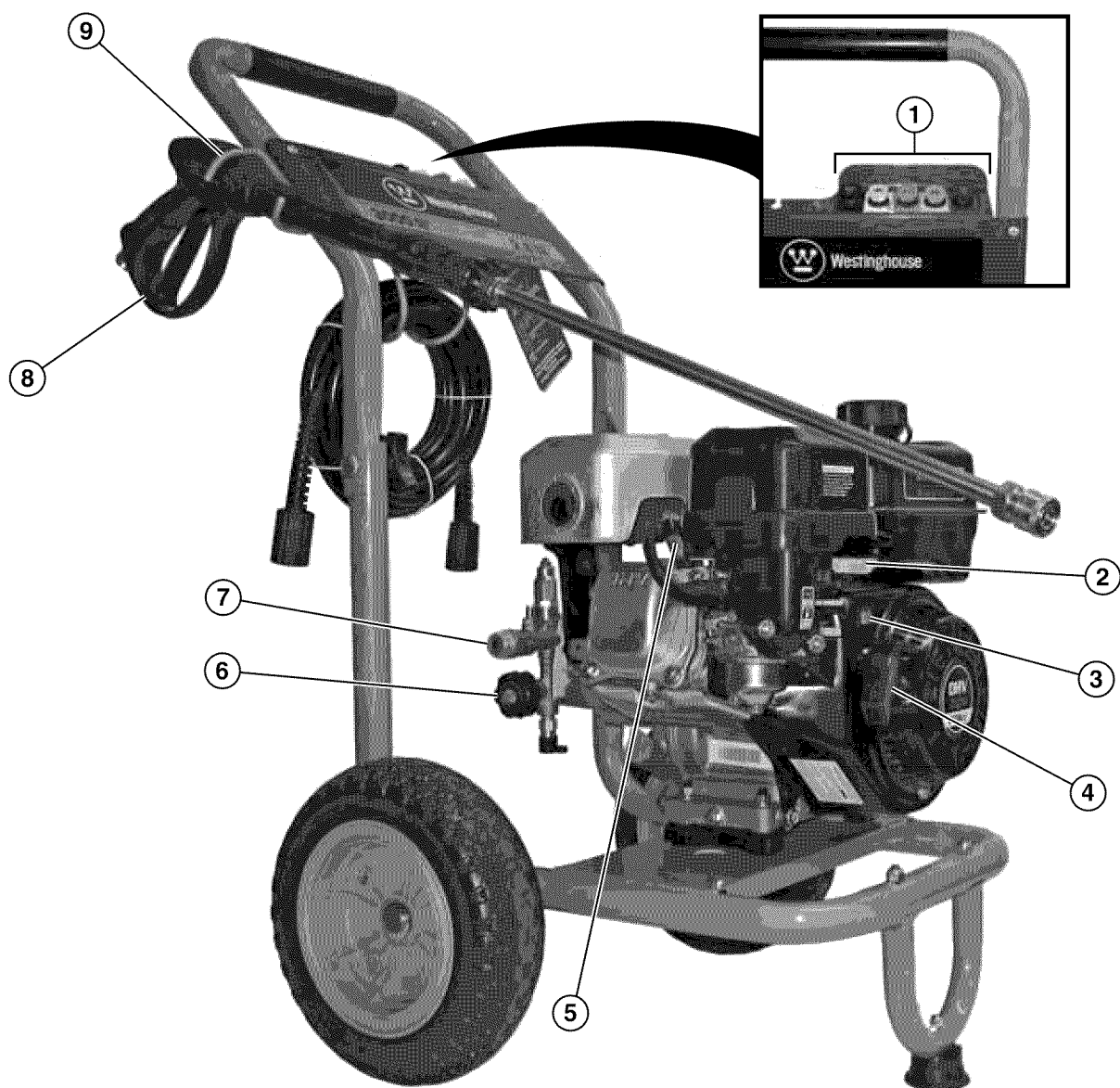


Figura 30

- |  |   |
|--|---|
| 1 - Depósito de la boquilla                | 6 - Casquillo de entrada de agua        |
| 2 - Palanca del acelerador                 | 7 - Casquillo de salida de alta presión |
| 3 - Interruptor ON/OFF (Encendido/Apagado) | 8 - Pistola atomizadora                 |
| 4 - Manija del motor de arranque           | 9 - Depósito de la pistola atomizadora  |
| 5 - Bujía de encendido                     |   |

# FUNCIONAMIENTO

## ANTES DE ENCENDER LA HIDROLAVADORA



Antes de poner en marcha la hidrolavadora, repase la sección *Seguridad en la página 7*.

**Elección de la ubicación** - Antes de poner en marcha la hidrolavadora, evite peligros relacionados con el escape y la ubicación verificando lo siguiente:

- Que se haya seleccionado una ubicación para operar la hidrolavadora que sea en exteriores y esté bien ventilada.
- Que se haya seleccionado un lugar con drenaje adecuado pero todavía lo suficientemente nivelado como para evitar que la hidrolavadora se vuelque.
- Que se haya seleccionado una ubicación que esté al menos a 5 pies (1,5 metros) de cualquier edificio, otros equipos o materiales combustibles.
- Si la hidrolavadora está ubicada cerca de un edificio, compruebe que no esté ubicada cerca de ventanas, puertas y/o ventilaciones.

### ADVERTENCIA



Siempre opere la hidrolavadora en una superficie que evitará que la hidrolavadora se vuelque. Colocar la hidrolavadora en una superficie en donde la hidrolavadora se podría volcar, podría hacer que el combustible derramado y el aceite se derramen. El combustible derramado puede encenderse si entra en contacto con una fuente de ignición como una superficie muy caliente.

### AVISO

La operación de una hidrolavadora sobre una superficie en la que hay materiales sueltos como arena o recortes de césped puede hacer que ingresen residuos a la hidrolavadora que podrían:

- Obstruir las ventilaciones de refrigeración.
- Obstruir el sistema de admisión de aire.

Verifique los siguientes puntos antes de poner en marcha el motor:

1. Verifique que la hidrolavadora esté armada en forma apropiada.
2. Verifique que se haya agregado el aceite de motor recomendado al nivel correcto en el cárter del motor.
3. Agregue el combustible recomendado al depósito de combustible.
4. Verifique conexiones de la manguera ajustadas en forma correcta.
5. Verifique para asegurarse de que no haya enredos, cortes o daños a la manguera de alta presión.
6. Proporcione un suministro de agua apropiado a un flujo adecuado.

## PROCEDIMIENTO PARA AGREGAR / CONTROLAR EL COMBUSTIBLE Y LOS LÍQUIDOS DEL MOTOR



Antes de agregar/comprobar líquidos y combustible del motor, verifique la sección *Seguridad en página 7*.

### PELIGRO



Si se carga el depósito de combustible con gasolina mientras la hidrolavadora está en marcha, se pueden provocar pérdidas de gasolina que pueden entrar en contacto con superficies calientes que pueden encender la gasolina.

Antes de encender la hidrolavadora, controle siempre el nivel de:

- Aceite de motor
- Gasolina en el depósito de combustible.

Después de encender la hidrolavadora y de que se caliente el motor, no es seguro agregar gasolina al depósito de combustible ni aceite de motor al motor mientras el motor está en funcionamiento o mientras el motor y el silenciador están calientes.

## Procedimiento para controlar y/o agregar el aceite para motor

### ADVERTENCIA



La presión interna puede acumularse en el cárter del motor mientras el motor está en marcha. Si se extrae el tapón de llenado/ la varilla de medición del aceite mientras el motor está caliente, se puede salpicar aceite extremadamente caliente hacia el exterior del cárter que puede producir quemaduras graves en la piel. Deje que se enfríe el aceite del motor durante varios minutos antes de extraer el tapón de llenado/la varilla de medición del aceite.

La unidad como se envía no contiene aceite en el motor. Debe agregar aceite del motor antes de encender la hidrolavadora por primera vez. Utilice todo el recipiente de 6 litros de aceite del motor suministrado. Vea *Procedimiento para controlar el aceite del motor en la página 37* y *Procedimiento para agregar el aceite del motor en la página 38* para obtener instrucciones sobre el control del nivel de aceite del motor y el procedimiento para agregar el aceite del motor.



## AVISO

La hidrolavadora no contiene aceite de motor cuando se envía. Si se intenta encender el motor sin agregarle aceite de motor, se pueden dañar de forma permanente los componentes internos del motor.

## Procedimiento para agregar gasolina al depósito de combustible



### ADVERTENCIA



**Nunca haga la recarga de combustible de la hidrolavadora mientras el motor está en marcha.**



**Siempre debe apagar el motor y dejar que la hidrolavadora se enfríe antes de recargar combustible.**

**Gasolina requerida** – Sólo se debe utilizar gasolina que cumpla con los siguientes requerimientos:

- Gasolina sin plomo únicamente
- Gasolina con etanol agregado hasta un máximo del 10%
- Gasolina con 87 de octanaje o superior

**Procedimiento para cargar el depósito de combustible** – Siga los pasos que se indican a continuación para llenar el depósito de combustible:

1. Apague la hidrolavadora.
2. Permita que la hidrolavadora se enfríe de manera que toda la superficie del silenciador y el motor esté fresca al tacto.
3. Mueva la hidrolavadora a una superficie plana.
4. Limpie la zona que rodea al tapón de combustible.
5. Quite el tapón de combustible girándolo en sentido contrario a las agujas del reloj.
6. Agregue gasolina lentamente dentro del depósito de combustible. Tenga mucho cuidado de no llenar el depósito en exceso. El nivel de gasolina NO debe superar la base del cuello de llenado.

## AVISO

Tenga cuidado al instalar el tapón de combustible. Las roscas se pueden dañar si el tapón no se instala en forma correcta.

7. Instale el tapón de combustible girándolo en el sentido de las agujas del reloj hasta que se escuche un clic que indica que el tapón está completamente instalado.



### PRECAUCIÓN



**Evite el contacto prolongado de la piel con la gasolina. Evite respirar durante períodos prolongados los vapores de la gasolina.**

## CONEXIÓN DEL SUMINISTRO DE AGUA

### AVISO

No ponga en marcha el motor sin el suministro de agua conectado y encendido. Poner la bomba en funcionamiento sin agua dañará la bomba.

El suministro de agua debe proporcionar un mínimo de 3.8 gal (14.3 L) por minuto y al menos 30 psi (2 bar). No succione agua estancada para el suministro de agua. La temperatura de agua no debe exceder 100°F (37.7°C).

1. Haga correr agua por medio de la manguera del jardín para limpiar cualquier restos de basura que hayan quedado en la manguera.
2. Examine el cedazo para entrada de agua para asegurar que esté en su lugar y sin residuos (*Ver Figura 31*). No opere la hidrolavadora con un cedazo para entrada faltante o dañado.

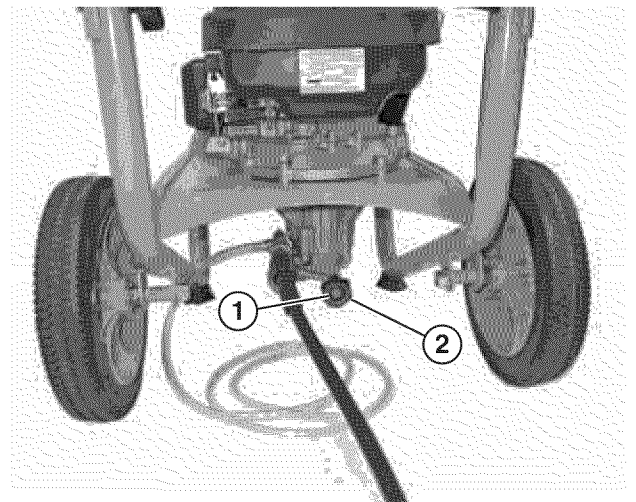


Figura 31 – Se muestra la conexión de agua WP2500

1 - Entrada de agua Cedazo

2 - Entrada de agua Accesorio

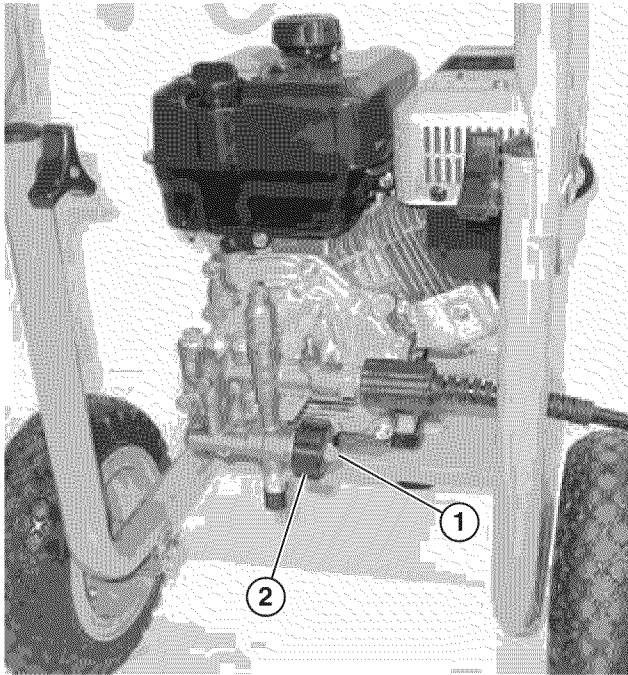


Figura 32 – Se muestra la conexión de agua WP3000Z

1 - Entrada de agua Cedazo      2 - Entrada de agua Accesorio

3. Use la manguera más corta posible para completar la trabajo al alcance de la mano. Si se utiliza una manguera más larga se podría afectar el desempeño. Conecte al accesorio de entrada de agua una manguera de jardín que no tenga más de 50 pies (15,2 m) de longitud (vea Figura 31 y vea Figura 32).
4. Ajuste el casquillo a la manguera.
5. Abra el agua y examine si hay pérdidas.
6. Exprima el disparador de la pistola y deje que se purgue aire de las mangueras y la bomba antes de encender el motor.
7. Conecte la manguera de trasvase de jabón a la botella de jabón si utiliza jabón.

## PUESTA EN MARCHA DE LA HIDROLAVADORA – WP2500 Y WP2800



Antes de poner en marcha la hidrolavadora, repase la sección Seguridad en la página 7.

Antes de intentar encender la hidrolavadora, verifique lo siguiente:

- El motor está cargado con aceite del motor (Vea Procedimiento para controlar el aceite del motor en la página 37).
- La hidrolavadora se ubica en un lugar adecuado (vea Elección de la ubicación en la página 26).



### PELIGRO



**NUNCA** opere la hidrolavadora en un área cerrada. El escape del motor contiene monóxido de carbono que puede llevar a la muerte en minutos. Sólo debe operar la hidrolavadora en exteriores y alejado de ventanas, puertas y ventilaciones.

1. Gire la palanca de bloqueo del disparador hacia arriba y bloquee el disparador en la posición OFF (apagado) (Ver Figura 33).

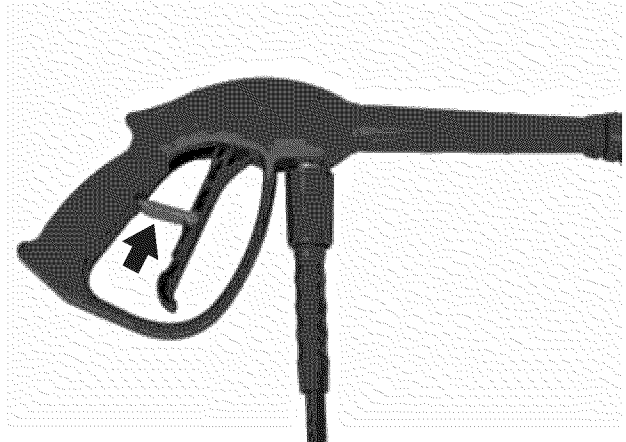


Figura 33 – Palanca de bloqueo del disparador

2. Asegúrese de que el suministro de agua esté encendido.

**NOTA:** La bomba cuenta con una termo válvula (vea Figura 34 y la Figura 35). Si se hace funcionar la bomba durante un período de tiempo prolongado sin que fluya el agua por ella, se puede recalentar. Si la bomba alcanza una cierta temperatura, la termo válvula se abrirá y descargará agua tibia sobre la válvula para permitir la entrada de agua fría y enfriar la bomba.

- Apunte la termo válvula lejos del área de trabajo que está lavando para evitar ser rociado con agua tibia.

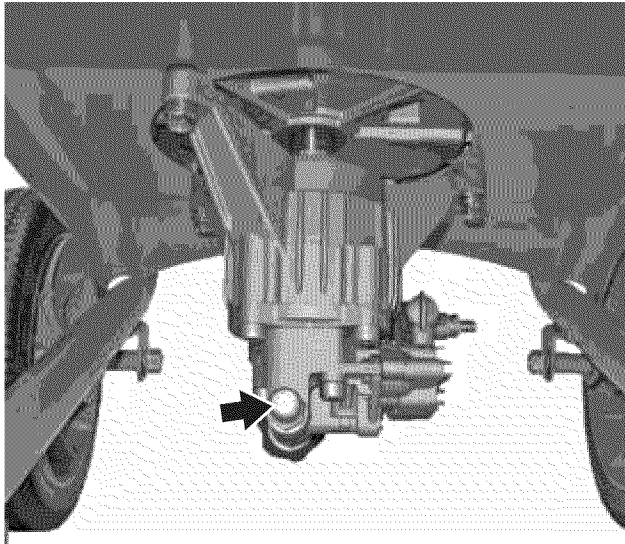


Figura 34 – Termo válvula de la bomba WP2500

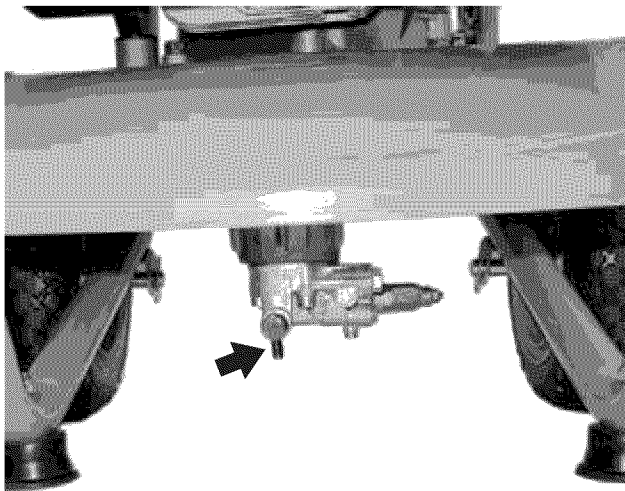


Figura 35 – Termo válvula de la bomba WP2800

- Mueva el interruptor de parada del motor hacia abajo hasta la posición **ON** (encendido) (I) (Ver Figura 36).

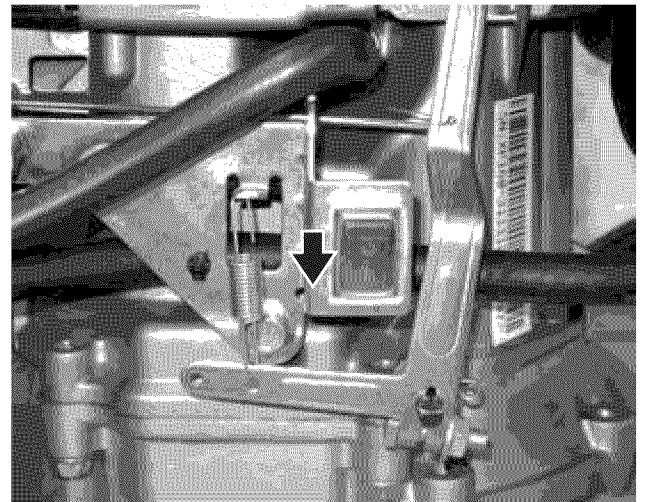


Figura 36 – Posición ON/ENCENDIDO del interruptor de parada del motor

- Oprima la perilla de cebado tres veces (Ver Figura 37).

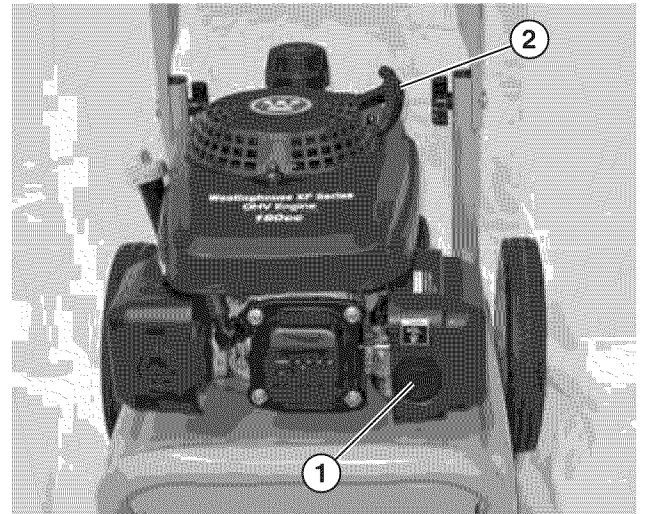


Figura 37 – Arranque del motor

1 - Perilla de cebado      2 - Manija de retroceso

- Tome con firmeza y tire de la manija de retroceso lentamente hasta que sienta que aumenta la resistencia. En ese momento, aplique un tirón rápido de la manija de retroceso (Ver Figura 37).

**NOTA:** Si el motor se pone en marcha y luego se apaga, oprima el disparador en la pistola atomizadora para aliviar la presión antes de tratar de poner en marcha el motor nuevamente.

- Una vez que el motor se ponga en marcha, deje que se caliente levemente antes de iniciar el lavado.

# FUNCIONAMIENTO

## Detener la hidrolavadora

### Funcionamiento normal

Durante el funcionamiento normal, use los siguientes pasos para detener la hidrolavadora:

1. Cierre el bloqueo del disparador de la pistola atomizadora en la posición **OFF (APAGADO)**.
2. Mueva el interruptor de parada del motor hacia arriba hasta la posición **OFF (APAGADO) (O)** (Ver Figura 38).

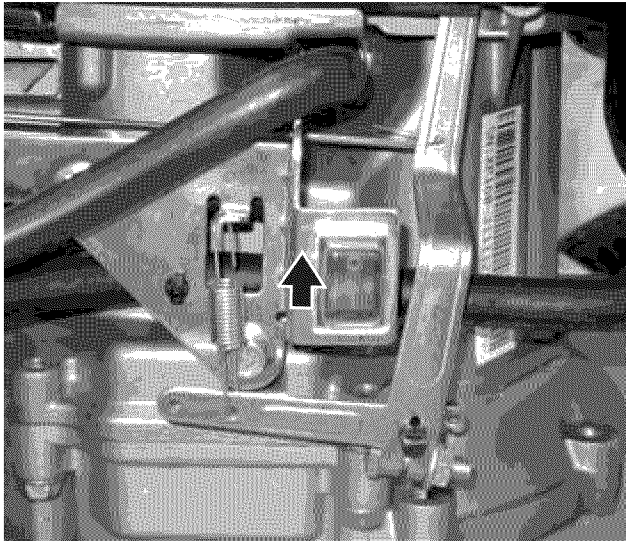


Figura 38 – Interruptor de parada del motor Posición OFF (APAGADO)

3. Apague el suministro de agua.
4. Desbloquee el disparador de la pistola atomizadora y oprima el disparador para liberar presión en las mangueras y bomba.
5. Desconecte la manguera del jardín de la entrada de agua.

### Durante una emergencia

Si surge una emergencia y se debe detener la hidrolavadora rápidamente, oprima el interruptor de control del motor hasta la posición **OFF (APAGADO)** de inmediato.

## PUESTA EN MARCHA DE LA HIDROLAVADORA – WP3000Z



Antes de poner en marcha la hidrolavadora, repase la sección **Seguridad** en la página 7.

**NOTA:** La hidrolavadora puede desplazarse o moverse si se la utiliza en superficies duras. Compruebe que la unidad esté bien asegurada durante el funcionamiento.

Antes de intentar encender la hidrolavadora, verifique lo siguiente:

- El motor está cargado con aceite del motor (Vea Procedimiento para controlar el aceite del motor en la página 39).
- La hidrolavadora se ubica en un lugar adecuado (vea Elección de la ubicación en la página 26).

### PELIGRO



**NUNCA** opere la hidrolavadora en un área cerrada. El escape del motor contiene monóxido de carbono que puede llevar a la muerte en minutos. Sólo debe operar la hidrolavadora en exteriores y alejado de ventanas, puertas y ventilaciones.

1. Gire la palanca de bloqueo del disparador hacia arriba y bloquee el disparador en la posición **OFF (APAGADO)** (Ver Figura 39).

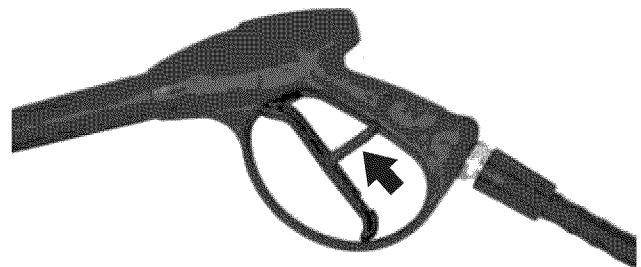


Figura 39 – Palanca de bloqueo del disparador

2. Asegúrese de que el suministro de agua esté encendido.

**NOTA:** La bomba está equipada con una termo válvula (Ver Figura 40). Si se hace funcionar la bomba durante un período de tiempo prolongado sin que fluya el agua por ella, se puede recalentar. Si la bomba alcanza una cierta temperatura, la termo válvula se abrirá y descargará agua tibia sobre la válvula para permitir la entrada de agua fría y enfriar la bomba.

3. Apunte la termo válvula lejos del área de trabajo que está lavando para evitar ser rociado con agua tibia.

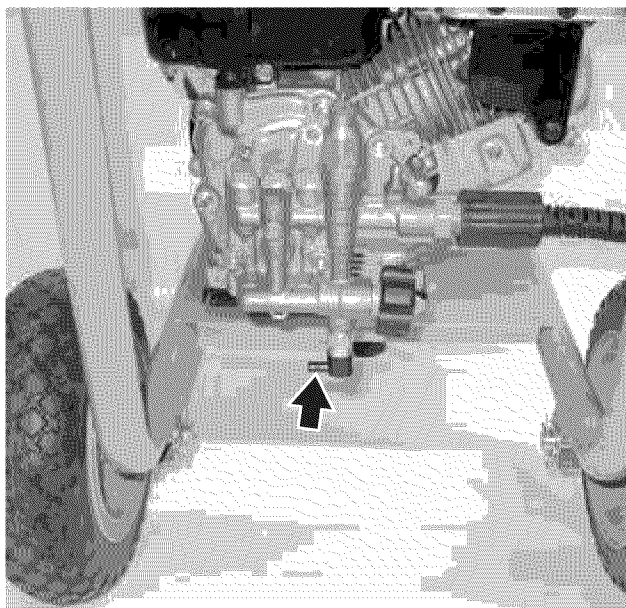


Figura 40 – Termo válvula de la bomba - WP3000Z

4. Mueva el interruptor ON/OFF (encendido/apagado) del motor hasta la posición ON (encendido) (I) (Ver Figura 41).

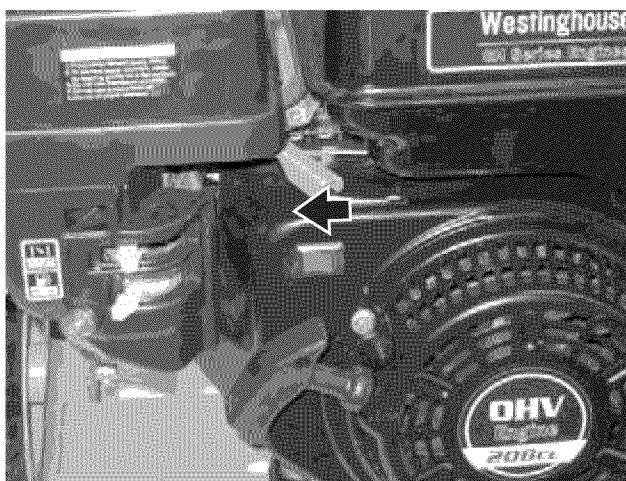


Figura 41 – Interruptor ON/OFF (Encendido/Apagado)

5. Mueva la palanca del acelerador hasta la posición de aceleración máxima (Ver Figura 42). Mueva la palanca del cebador a la posición cebador. Abra la válvula de cierre de combustible.

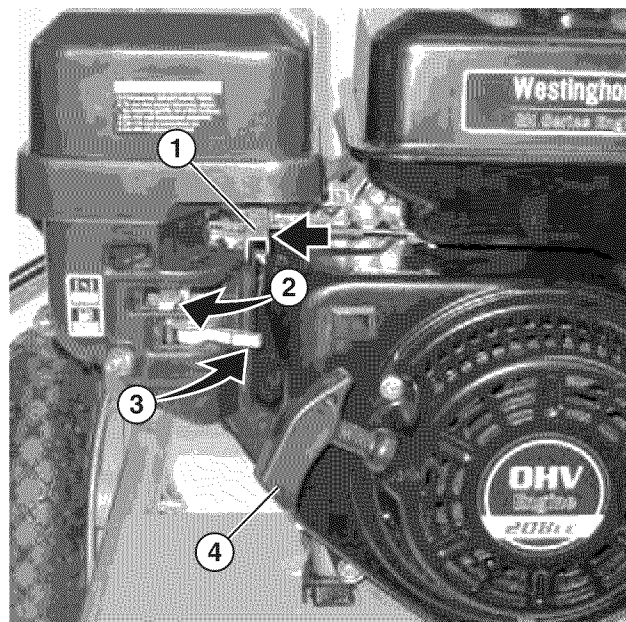


Figura 42 – Palanca del acelerador, palanca del cebador, válvula de cierre de combustible

- |                            |                                      |
|----------------------------|--------------------------------------|
| 1 - Palanca del acelerador | 3 - Válvula de cierre de combustible |
| 2 - Palanca del cebador    | 4 - Manija del motor de arranque     |

6. Sostenga firmemente y tire lentamente de la manija del motor de arranque hasta sentir un aumento en la resistencia. En ese momento, aplique un tirón rápido de la manija del motor de arranque.

**NOTA:** Si el motor se pone en marcha y luego se apaga, oprima el disparador en la pistola atomizadora para aliviar la presión antes de tratar de poner en marcha el motor nuevamente.

7. Una vez que el motor se pone en marcha, mueva la palanca del cebador a la posición abierta. Permita que el motor se caliente un poco antes de comenzar a lavar.

**NOTA:** Siempre haga funcionar el motor a la máxima aceleración cuando lave.

# FUNCIONAMIENTO

## Detener la hidrolavadora

### Funcionamiento normal

Durante el funcionamiento normal, use los siguientes pasos para detener la hidrolavadora:

1. Cierre el bloqueo del disparador de la pistola atomizadora en la posición **OFF (APAGADO)**
2. Mueva el interruptor ON/OFF (encendido/apagado) del motor hasta la posición **OFF (APAGADO)** (O) (Ver Figura 43).



Figura 43 – Posición OFF (apagado) del interruptor ON / OFF (Encendido/Apagado) del motor

3. Cierre la válvula de cierre de combustible (Ver Figura 44).



Figura 44 – Procedimiento para cerrar la válvula de cierre de combustible

4. Apague el suministro de agua
5. Desbloquee el disparador de la pistola atomizadora y oprima el disparador para liberar presión en las mangueras y bomba.
6. Desconecte la manguera del jardín de la entrada de agua.

### Durante una emergencia

Si surge una emergencia y se debe detener la hidrolavadora rápidamente, oprima el interruptor de control del motor hasta la posición **OFF (APAGADO)** (O) de inmediato.

## SELECCIONAR BOQUILLAS

La función de conexión rápida permite cambiar entre boquillas mientras la hidrolavadora está en funcionamiento una vez que el disparador de la pistola atomizadora está bloqueado en una posición segura.

### AVISO

Utilice únicamente las boquillas que se suministraron con las hidrolavadoras. Si se usan otras boquillas se puede afectar el desempeño y anular la garantía. Para obtener boquillas de recambio, visite [www.westpropower.com](http://www.westpropower.com) o llame al (855) 944-3571.



### ADVERTENCIA



Siempre utilice el bloqueo del disparador para cambiar una boquilla si el motor está en funcionamiento

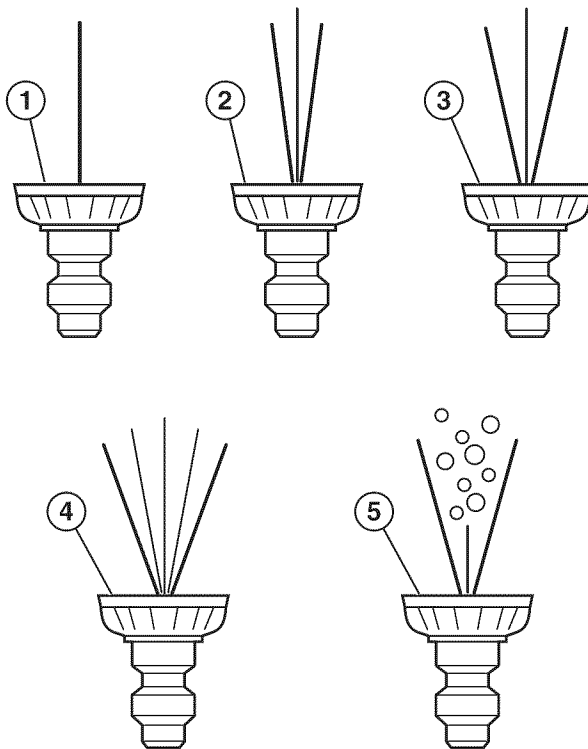


Figura 45 – Patrón de pulverización de boquilla

- |   |                                |
|---|--------------------------------|
| 1 - Rojo Alta<br>Presión 0°                 | 4 - Blanca Baja<br>Presión 40° |
| 2 - Amarillo Alta a<br>Media Presión<br>15° | 5 - Negra Jabón                |
| 3 - Verde Media<br>Presión 25°              |                                |

Tabla 1: Boquillas

Boquilla	Utilización
1. Boquilla de alta presión (Roja): presión más alta y el menor patrón de pulverización.  <b>AVISO:</b> La boquilla roja puede dañar superficies si se la mantiene demasiado cerca durante un período prolongado	Utilice para limpiar suciedad difícil, incrustada. Utilice sobre hormigón, ladrillo, entradas de automóviles y patios.
2. Boquilla de alta a media presión (amarilla): presión alta a media con el menor ángulo de patrón de pulverización	Utilice para limpiar pintura, manchas, moho, aceite y tierra y suciedad compacta. Utilice sobre cubiertas de madera, paredes del hogar, entradas para automóviles y patios.
3. Boquilla de presión media (Verde): presión media y patrón de pulverización medio.	Utilice para limpiar pintura, manchas, moho, aceite y tierra y suciedad compacta. Utilice sobre cubiertas de madera, paredes del hogar, entradas para automóviles y patios.
4. Boquilla de baja presión (Blanca): presión más baja y el patrón de pulverización más amplio.	Utilice para limpiar tierra y suciedad general suelta. Para uso en la mayoría de superficies, incluso automóviles, cubiertas de madera patios, muebles de exterior, paredes del hogar y equipamiento de césped y de jardín.
5. Boquilla de jabón (Negra)  <b>AVISO:</b> Sólo use jabón seguro para hidrolavadora.	Utilice para aplicar jabón para limpiar superficies a fin de facilitar una limpieza completa.

# FUNCIONAMIENTO

## Cambiar la boquilla

1. Empuje el bloqueo del disparador para bloquearlo en la posición **OFF** (Ver Figura 46).

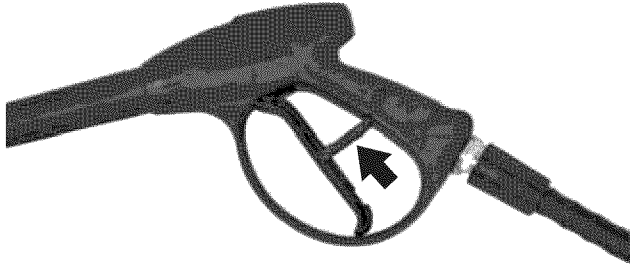


Figura 46 – Bloqueo del disparador cerrado

2. Tire del acoplador rápido hacia la pistola atomizadora (Ver Figura 47).

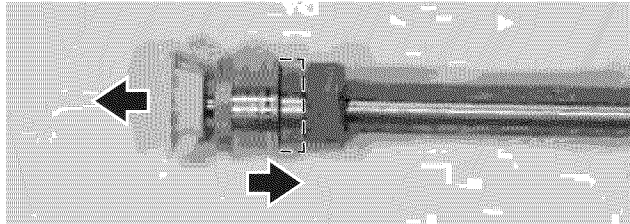


Figura 47 – Instalación de boquilla

3. Empuje la boquilla en el acoplador y empuje el acoplador alejándolo de la pistola atomizadora (Ver Figura 47). La boquilla se bloqueará en el lugar. Tire ligeramente de la boquilla para verificar que esté bloqueada en el lugar.

## CONSEJOS PARA PULVERIZACIÓN

Para la mayor parte de los trabajos de limpieza, mantenga la boquilla apartada 8 – 24 pulgadas (20 – 61 cm) de la superficie de limpieza.

- Podría ocurrir daños a la superficie de limpieza si el pulverizador está demasiado cerca, en especial con boquillas de alta presión.
- Cuando comience a pulverizar, comience más lejos y acérquese para evitar daños a la superficie.
- Cuando lave neumáticos, deje al menos 6 pulgadas (15 cm) entre el neumático y la boquilla.

### AVISO

No se acerque más de 6 pulgadas (15 cm). Si se pulveriza a menos de 6 pulgadas (15 cm) se puede dañar el neumático.

Para aliviar la presión del sistema, apague el motor, cierre el suministro de agua y tire del disparador de la pistola hasta que el agua deje de fluir.

## JABÓN DE PULVERIZACIÓN

### AVISO

Sólo use jabón seguro para hidrolavadora.

1. Instale la boquilla de jabón (negra).

### AVISO

Sólo use la boquilla de jabón para aplicar jabón. Si utiliza otras boquillas no aplicarán jabón.

2. Prepare la solución de jabón siguiendo las instrucciones del fabricante.
3. Coloque la manguera de trasvase de jabón en el contenedor de jabón.

### AVISO

No coloque la manguera de trasvase de jabón donde pueda tocar el silenciador mientras el motor está funcionando.

4. Asegúrese de que la manguera del jardín y la manguera de alta presión están conectadas.

### AVISO

Todas las mangueras deben estar conectadas antes de poner en marcha el motor.

5. Abra el suministro de agua.
6. Ponga en marcha el motor y oprima el disparador.
7. Utilice movimientos regulares y superpuestos para aplicar jabón.
8. Deje 3 – 5 minutos para que el jabón se absorba antes de lavar y enjuagar. No deje que el jabón se seque en la superficie antes de enjuagar. Vuelva a aplicar jabón si es necesario para mantener una superficie húmeda para que el jabón se absorba.

### AVISO

Cuando termine, limpie la manguera de trasvase de jabón. Vea *Limpieza de la manguera de trasvase de jabón* en la página 35.



## ENJUAGUE



### ADVERTENCIA



**Siempre utilice el bloqueo del disparador para cambiar una boquilla si el motor está en funcionamiento**

1. Seleccione la boquilla deseada y cambie la boquilla. *Vea Seleccionar boquillas en la página 33.*
2. Oprima el disparador y con cuidado comience a pulverizar, manteniendo la boquilla a una distancia segura desde la superficie de limpieza.
3. Empiece desde la parte superior de la superficie, pulverice una pequeña área y luego verifique la superficie por daños. Si no hay daños, siga con el enjuague utilizando movimientos superpuestos en la superficie. Siga verificando la superficie por si hay daños durante el enjuague.

## LIMPIEZA DE LA MANGUERA DE TRASVASE DE JABÓN

Si se usa, limpie la manguera de trasvase de jabón antes de apagar el motor.

1. Si es necesario, instale la boquilla de jabón (negra).
2. Use agua limpia para enjuagar la manguera de trasvase de jabón. Sumerja la manguera de trasvase de jabón en el agua limpia.
3. Enjuáguela durante 1-2 minutos mientras el motor está encendido.
4. Cuando esté limpio, detenga el motor.
5. Dirija la pistola atomizadora en una dirección segura. Oprima el disparador para liberar presión dentro del sistema.

# MANTENIMIENTO

## MANTENIMIENTO



Antes de llevar a cabo el mantenimiento en la hidrolavadora, repase la sección Seguridad de la página 7 y los siguientes mensajes de seguridad.

### ADVERTENCIA



Extraiga de la bujía el capuchón de la bujía de encendido para evitar encender accidentalmente la hidrolavadora durante el mantenimiento.



Deje que los componentes calientes se enfríen al tacto antes de realizar los procedimientos de mantenimiento.



La presión interna puede acumularse en el cárter del motor mientras el motor está en marcha. Si se extrae el tapón de llenado/ la varilla de medición del aceite mientras el motor está caliente, se puede salpicar aceite extremadamente caliente hacia el exterior del cárter que puede producir quemaduras graves en la piel. Deje que se enfríe el aceite del motor durante varios minutos antes de extraer el tapón de llenado/la varilla de medición del aceite.



Siempre debe realizar el mantenimiento en una zona bien ventilada. La gasolina y los vapores del combustible son extremadamente inflamables y pueden encenderse en ciertas condiciones.

### PRECAUCIÓN



Evite que la piel esté en contacto con el aceite del motor o la gasolina. El contacto prolongado de la piel con el aceite del motor o la gasolina puede ser perjudicial. El contacto frecuente y prolongado con el aceite del motor puede causar cáncer de piel. Tome medidas de protección y utilice vestimenta y equipos de protección. Lave con agua y jabón toda la piel que haya quedado expuesta.

## Cronograma de mantenimiento

### ADVERTENCIA



Si no se realiza un mantenimiento periódico o no se realizan procedimientos de mantenimiento la hidrolavadora puede funcionar mal y podría causar lesiones graves o la muerte.

### AVISO

Los intervalos del mantenimiento periódico varían en función de las condiciones de funcionamiento de la hidrolavadora. Si se usa la hidrolavadora en condiciones adversas, como con cargas elevadas sostenidas, temperaturas elevadas o en entornos inusualmente húmedos o con abundante polvo, será necesario hacer un mantenimiento periódico más frecuente. Los intervalos mencionados en el cronograma de mantenimiento se deben tratar únicamente como una orientación general.

Es importante respetar el cronograma de mantenimiento para mantener la hidrolavadora en buenas condiciones de funcionamiento. A continuación se incluye un resumen de las tareas de mantenimiento según los intervalos de mantenimiento periódicos.

Tabla 2: Cronograma de mantenimiento - Realizado por el propietario

Tareas de mantenimiento	Antes de cada uso	Después de las primeras 20 horas o el primer mes de uso	Después de 50 horas de uso o cada 3 meses	Después de 100 horas de uso o cada 6 meses	Después de 300 horas de uso o todos los años
Aceite de motor	Controlar el nivel	Cambiar	Cambiar	–	–
Características de refrigeración	Controlar/limpiar	–	–	–	–
Filtro de aire	Controlar	–	Limpiar <sup>1</sup>	–	Sustituir
Bujía de encendido	–	–	–	Controlar/limpiar	Sustituir

<sup>1</sup> Realice el mantenimiento con mayor frecuencia si se usa en entornos secos y donde abunda el polvo.

Tabla 3: Cronograma de mantenimiento - Realizado por el Distribuidor autorizado de servicio Westinghouse

Tareas de mantenimiento	Antes de cada uso	Después de las primeras 20 horas o el primer mes de uso	Después de 50 horas de uso o cada 3 meses	Después de 100 horas de uso o cada 6 meses	Después de 300 horas de uso o todos los años
Separación de la válvula	-	-	-	-	Controlar/ajustar
Filtro de combustible	-	-	-	Controlar/limpiar	-
Velocidad al ralentí	-	-	-	-	Controlar/ajustar

## MANTENIMIENTO DEL ACEITE DEL MOTOR – WP2500 Y WP2800

### Especificación del aceite del motor

Sólo utilice aceite para motores de gran calidad 10W30 de ciclo/cuatro tiempos. NUNCA UTILICE ACEITE DE MOTOR DE 2 TIEMPOS.

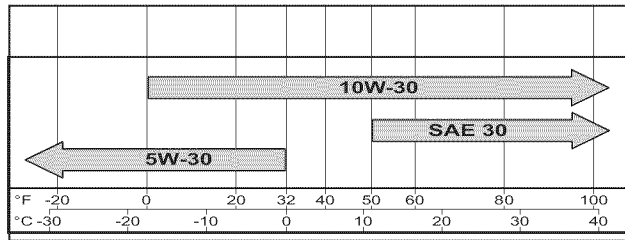


Figura 48 – Aceite recomendado

### Procedimiento para controlar el aceite del motor

#### AVISO

Mantenga siempre un nivel de aceite del motor adecuado. Si no se mantiene el nivel de aceite del motor adecuado se podría dañar gravemente el motor y/o acortar su vida útil.

Siempre use el aceite del motor especificado. Si no se utiliza el aceite de motor especificado, se puede acelerar el desgaste y/o acortar la vida útil del motor.

Se debe controlar el aceite del motor antes de cada uso.

1. Siempre opere o mantenga la hidrolavadora sobre una superficie plana.
2. Detenga el motor si está en marcha.
3. Deje que el motor quede inactivo y se enfríe durante varios minutos (deje que la presión del cárter se equilibre).
4. Con una tela húmeda, limpie alrededor del tapón de llenado/la varilla de medición del aceite.

5. Retire el tapón de llenado/la varilla de medición de aceite (Ver Figura 49).

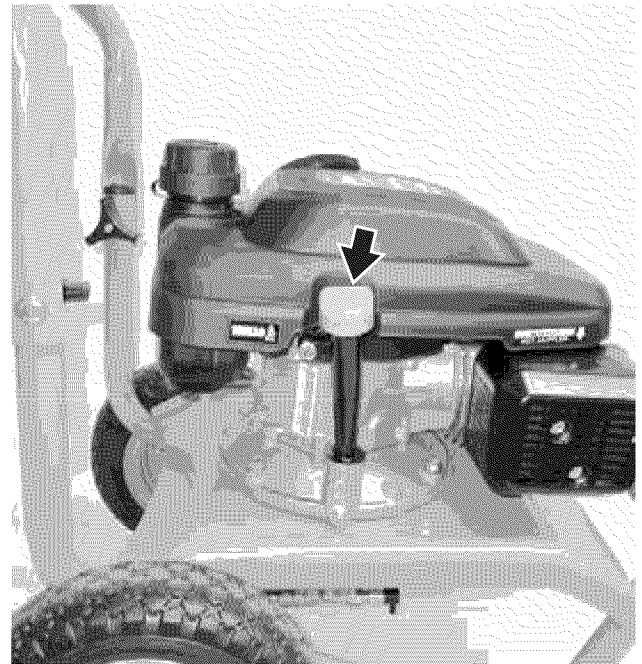


Figura 49 – Tapón de llenado/varilla de medición del aceite

6. Controle el nivel de aceite:

Cuando controle el nivel de aceite, retire el tapón de llenado/la varilla de medición del aceite y límpielos. Enrosque el tapón de llenado/la varilla de medición del aceite completamente y luego sáquelos para controlar el nivel de aceite del tapón de llenado/la varilla de medición del aceite.

- Nivel de aceite aceptable: se puede ver el aceite sobre las rayas que hay entre las líneas H (alto) y L (bajo) del tapón de llenado/la varilla de medición del aceite (Ver Figura 50).
- Nivel de aceite bajo: el aceite está por debajo de la línea L (bajo) del tapón de llenado/la varilla de medición del aceite (Ver Figura 50).

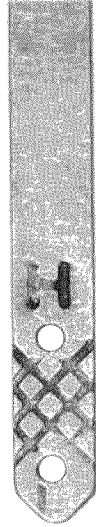


Figura 50 – Control del nivel de aceite

## Procedimiento para agregar el aceite del motor

### AVISO

El cárter del aceite tiene una capacidad de 0,6 litros. No lo cargue excesivamente.

1. Siempre opere o mantenga la hidrolavadora sobre una superficie plana.
2. Detenga el motor si está en marcha.
3. Deje que el motor quede inactivo y se enfríe durante varios minutos (deje que la presión del cárter se equilibre).
4. Limpie completamente alrededor del tapón de llenado/la varilla de medición del aceite.
5. Retire el tapón de llenado/la varilla de medición del aceite y límpielos.
6. *Vea Especificación del aceite del motor en la página 37 por el aceite de motor correcto.*
7. Lentamente agregue aceite al motor. Con frecuencia deténgase para verificar el nivel y evitar llenar demasiado.
8. Continúe agregando aceite hasta que esté en el nivel correcto. *Vea Procedimiento para controlar el aceite del motor en la página 37.*

## Procedimiento para cambiar el aceite del motor

1. Pare el motor.
2. Deje que el motor quede inactivo y se enfríe durante varios minutos (deje que la presión del cárter se equilibre).

3. Coloque un recogedor de aceite (o un recipiente adecuado) debajo del tapón de drenaje del aceite.
4. Con una tela húmeda, limpie completamente alrededor del tapón de drenaje del aceite.
5. Coloque un trozo de plástico flexible o cartón debajo del tapón del drenaje del aceite y arriba del bastidor.
6. Retire el tapón de llenado de aceite (*Ver Figura 51*). Después de hacerlo, coloque el tapón de drenaje del aceite sobre una superficie limpia.

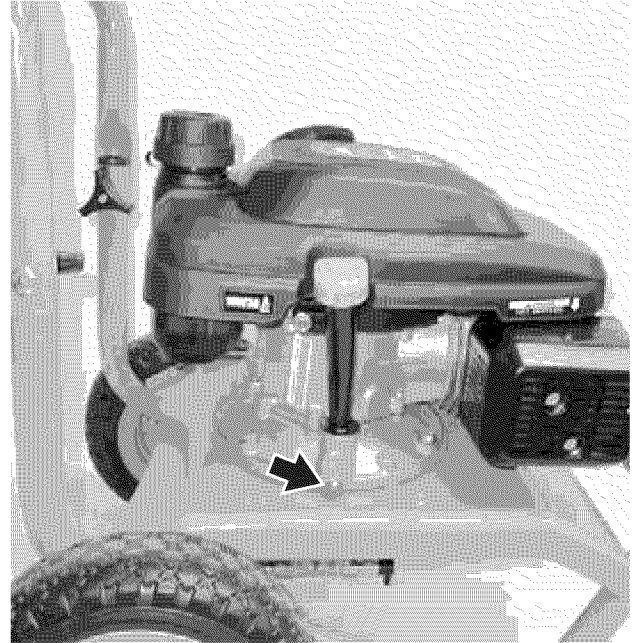


Figura 51 – Tapón de drenaje del aceite

7. Retire el tapón de llenado/la varilla de medición del aceite para que el aceite se pueda drenar más fácilmente del orificio de drenaje del aceite.
8. Deje que se drene totalmente el aceite.
9. Coloque nuevamente el tapón de drenaje del aceite.
10. Llene el cárter con aceite siguiendo los pasos que se detallan en *Procedimiento para agregar el aceite del motor en la página 38.*

### AVISO

Nunca deseche el aceite de motor usado arrojándolo en un desagüe, en la tierra o en aguas subterráneas o vías fluviales. Siempre debe ser responsable con el medio ambiente. Siga los lineamientos de la EPA o de otras agencias gubernamentales para el desecho adecuado de materiales peligrosos. Consulte a las autoridades locales o las instalaciones de reciclado.

11. Deseche el aceite de motor usado de manera adecuada.

## MANTENIMIENTO DEL ACEITE DEL MOTOR - WP3000Z

### Especificación del aceite del motor

1. Utilice únicamente el aceite del motor especificado en la Figura 52.

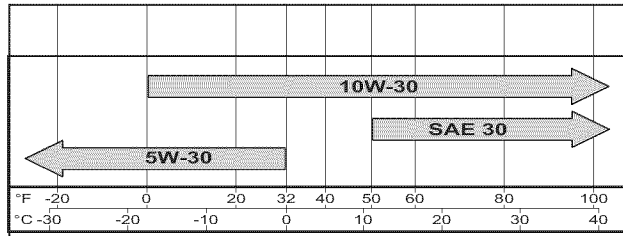


Figura 52 – Aceite recomendado

2. Use únicamente aceite para motor de 4 tiempos/ciclos. NUNCA UTILICE ACEITE DE MOTOR DE 2 TIEMPOS.

### Procedimiento para controlar el aceite del motor

#### AVISO

Mantenga siempre un nivel de aceite del motor adecuado. Si no se mantiene el nivel de aceite del motor adecuado se podría dañar gravemente el motor y/o acortar su vida útil.

Siempre use el aceite del motor especificado. Si no se utiliza el aceite de motor especificado, se puede acelerar el desgaste y/o acortar la vida útil del motor.

Se debe controlar el aceite del motor antes de cada uso.

1. Siempre opere o mantenga la hidrolavadora sobre una superficie plana.
2. Detenga el motor si está en marcha.
3. Deje que el motor quede inactivo y se enfríe durante varios minutos (deje que la presión del cárter se equilibre).
4. Con una tela húmeda, limpie alrededor del tapón de llenado/la varilla de medición del aceite.
5. Retire el tapón de llenado/la varilla de medición del aceite (Ver Figura 53).

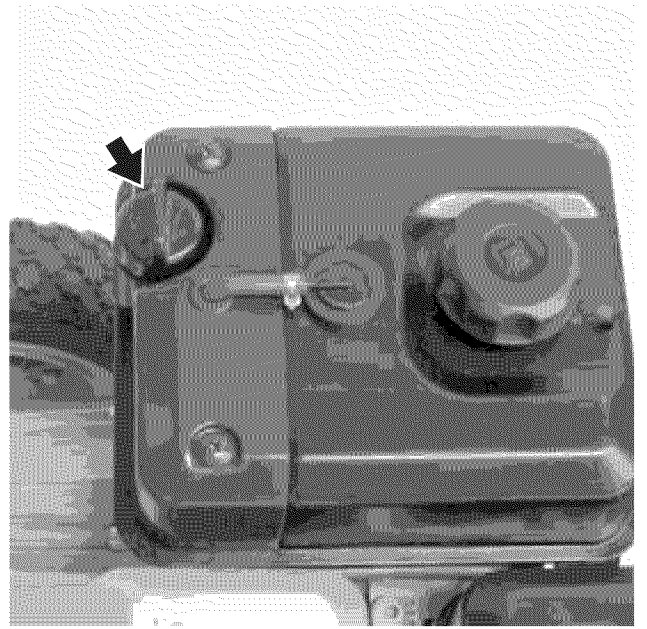


Figura 53 – Tapón de llenado/varilla de medición del aceite – WP3000Z

6. Controle el nivel de aceite:

Cuando controle el nivel de aceite, retire el tapón de llenado/la varilla de medición del aceite y límpielos. Enrosque el tapón de llenado/la varilla de medición del aceite completamente y luego sáquelos para controlar el nivel de aceite del tapón de llenado/la varilla de medición del aceite.

- Nivel de aceite aceptable: Hay aceite visible sobre las cruces del tapón de llenado/la varilla de medición del aceite (Ver Figura 54).
- Aceite bajo: No hay aceite visible sobre las cruces del tapón de llenado/la varilla de medición del aceite (Ver Figura 54).



Figura 54 – Procedimiento para controlar el nivel de aceite – WP3000Z

# MANTENIMIENTO

## Procedimiento para agregar el aceite del motor

### AVISO

El cárter del aceite tiene una capacidad de 0,6 litros. No lo cargue excesivamente.

1. Siempre opere o mantenga la hidrolavadora sobre una superficie plana.
2. Detenga el motor si está en marcha.
3. Deje que el motor quede inactivo y se enfríe durante varios minutos (deje que la presión del cárter se equilibre).
4. Limpie completamente alrededor del tapón de llenado/la varilla de medición del aceite.
5. Retire el tapón de llenado/la varilla de medición del aceite y límpielos.
6. *Vea Especificación del aceite del motor en la página 39 por el aceite de motor correcto.*
7. Lentamente agregue aceite al motor. Con frecuencia deténgase para verificar el nivel y evitar llenar demasiado.
8. Continúe agregando aceite hasta que esté en el nivel correcto. *Vea Procedimiento para controlar el aceite del motor en la página 39.*

## Procedimiento para cambiar el aceite del motor

1. Pare el motor.
2. Deje que el motor quede inactivo y se enfríe durante varios minutos (deje que la presión del cárter se equilibre).
3. Coloque un recogedor de aceite (u otro envase adecuado) debajo de uno de los dos tapones de drenaje de aceite. Los tapones de drenaje de aceite se encuentran a ambos lados del motor.
4. Con una tela húmeda, limpie completamente alrededor del tapón de drenaje del aceite.
5. Coloque un trozo de plástico flexible o cartón debajo del tapón del drenaje del aceite y arriba del bastidor.
6. Retire el tapón de llenado de aceite (*Ver Figura 55*). Después de hacerlo, coloque el tapón de drenaje del aceite sobre una superficie limpia.

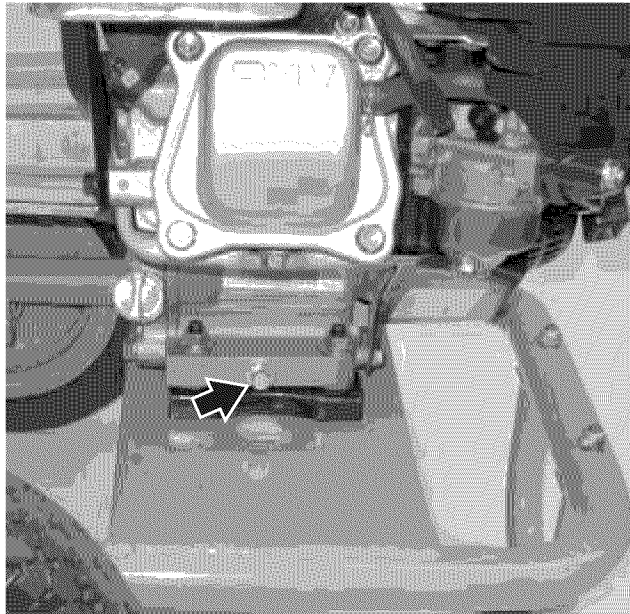


Figura 55 – Tapón de drenaje del aceite – WP3000Z

7. Retire el tapón de llenado/la varilla de medición del aceite para que el aceite se pueda drenar más fácilmente del orificio de drenaje del aceite.
8. Deje que se drene totalmente el aceite.
9. Coloque nuevamente el tapón de drenaje del aceite.
10. Llene el cárter con aceite siguiendo los pasos que se detallan en *Procedimiento para agregar el aceite del motor en la página 40*.
11. Deseche el aceite de motor usado de manera adecuada.

## MANTENIMIENTO DEL FILTRO DE AIRE – WP2500 Y WP2800



### ADVERTENCIA



**Nunca use gasolina ni otros disolventes inflamables para limpiar el filtro de aire. Debe usar únicamente detergente para el hogar para limpiar el filtro de aire.**

### Limpieza del filtro de aire

El filtro de aire debe limpiarse después de 50 horas de uso o cada 3 meses (se debe aumentar la frecuencia si la hidrolavadora funciona en un entorno donde abunda el polvo).

1. Apague la hidrolavadora y déjela enfriar durante varios minutos si está en funcionamiento.
2. Mueva la hidrolavadora a una superficie plana y nivelada.
3. Oprima la cubierta del filtro de aire para desenganchar la cubierta de la lengüeta superior (*Ver Figura 56*).

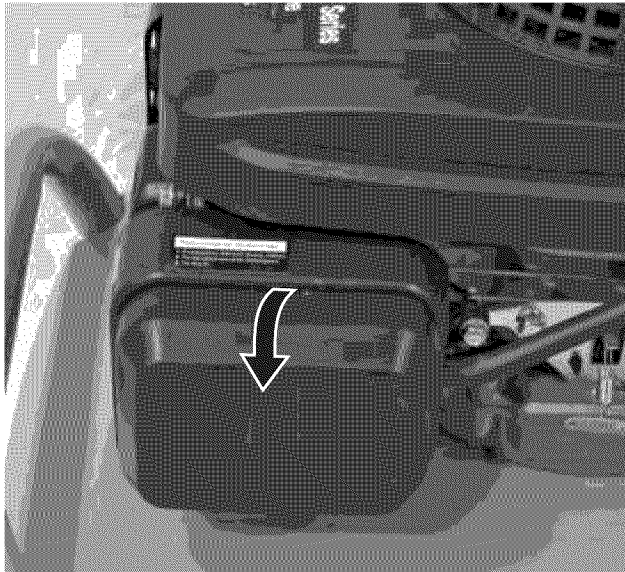


Figura 56 – Procedimiento para retirar la cubierta del filtro de aire

4. Limpie la cubierta del filtro de aire con un paño limpio.
5. Retire el elemento de espuma del filtro de aire (Ver Figura 57).

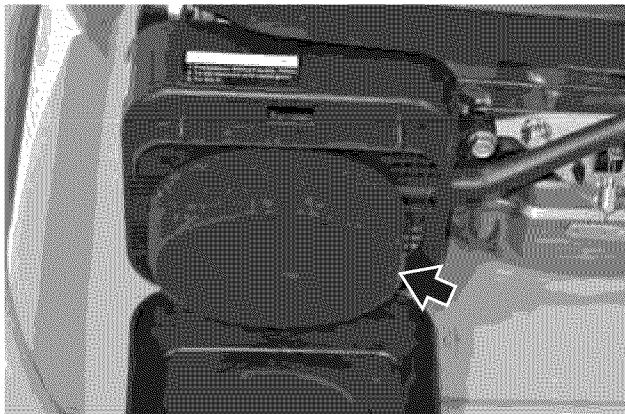


Figura 57 – Procedimiento para retirar el elemento del filtro de aire

6. Lave el elemento de espuma del filtro de aire sumergiéndolo en una solución de detergente para el hogar y agua caliente. Apriete lentamente la espuma hasta que quede completamente limpia.

## AVISO

NUNCA tuerza o rasgue el elemento de espuma del filtro de aire durante la limpieza o el secado. Sólo debe apretarlo lenta pero firmemente.

7. Enjuáguela en agua limpia sumergiendo el elemento del filtro de aire en agua dulce y apretándolo lentamente.

## AVISO

Nunca deseche la solución jabonosa usada para limpiar el filtro de aire arrojándola en un desagüe, en la tierra o en aguas subterráneas o vías fluviales. Siempre debe ser responsable con el medio ambiente. Siga los lineamientos de la EPA o de otras agencias gubernamentales para el desecho adecuado de materiales peligrosos. Consulte a las autoridades locales o las instalaciones de reciclado.

8. Deseche la solución jabonosa usada de manera adecuada.
9. Seque el elemento del filtro de aire apretándolo firmemente otra vez.
10. Regrese el elemento del filtro de aire a su posición en la caja del conjunto del filtro de aire.
11. Asegúrese de que las bisagras de la base de la cubierta del filtro de aire estén insertadas en forma apropiada en los orificios de la base del conjunto del filtro de aire (Ver Figura 58).

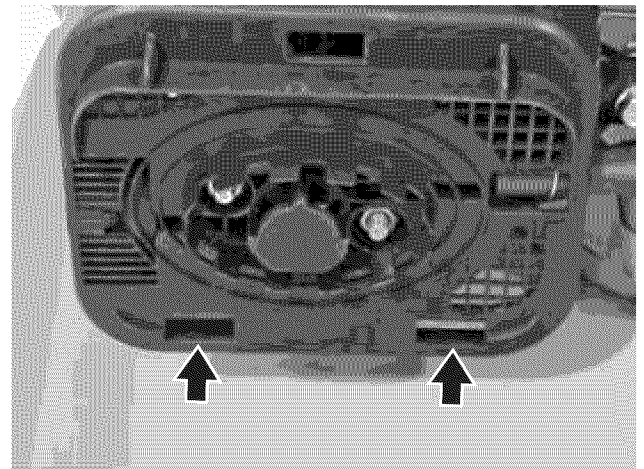


Figura 58 – Colocación de la cubierta del filtro de aire

12. Cierre la cubierta del filtro de aire girando la cubierta hacia arriba y volviendo a enganchar la lengüeta en la parte superior del conjunto del filtro de aire (Ver Figura 59).

# MANTENIMIENTO



Figura 59 – Colocación de la cubierta del filtro de aire

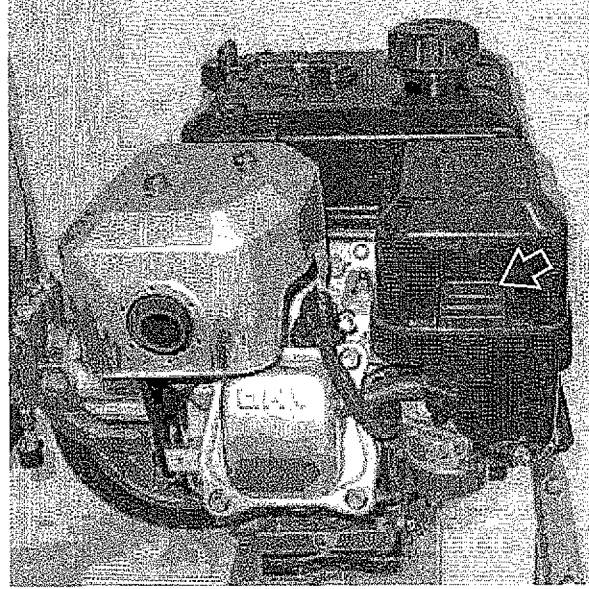




Figura 60 – Retire la cubierta del filtro de aire

## MANTENIMIENTO DEL FILTRO DE AIRE – WP3000Z

 **ADVERTENCIA**

 **Nunca use gasolina ni otros disolventes inflamables para limpiar el filtro de aire. Debe usar únicamente detergente para el hogar para limpiar el filtro de aire.**

El elemento de espuma del filtro de aire se debe limpiar después de cada 50 horas de uso o una vez por año (la frecuencia se debe incrementar si se usa la hidrolavadora en un ambiente con polvo). El elemento de papel del filtro de aire se debe reemplazar después de cada 50 horas de uso o una vez por año (la frecuencia se debe incrementar si se usa la hidrolavadora en un ambiente con polvo).

1. Apague la hidrolavadora y déjela enfriar durante varios minutos si está en funcionamiento.
2. Mueva la hidrolavadora a una superficie plana y nivelada.
3. Limpie la cubierta del filtro de aire con un paño limpio.
4. Empuje para colocar la cubierta del filtro de aire y levante (Ver Figura 60).

5. Retire el elemento del filtro de aire y reemplácelo (Ver Figura 61).

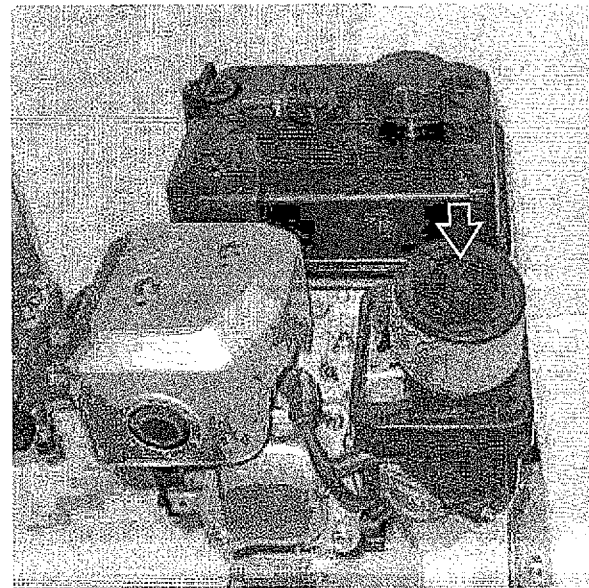


Figura 61 – Elemento del filtro de aire

6. Instale un elemento de filtro de aire nuevo.
7. Instale la cubierta del filtro de aire sobre el alojamiento del filtro de aire, comprobando que las lengüetas de dicha cubierta entren en las ranuras del alojamiento del filtro de aire (Ver Figura 62).





Figura 62 – Instalación de la cubierta del filtro de aire

## MANTENIMIENTO DE BUJÍA

Se debe controlar y limpiar la bujía de encendido cada 100 horas de uso o 6 meses y se la debe reemplazar después de 300 horas de uso o todos los años.

1. Detenga la hidrolavadora y deje que se enfríe durante varios minutos si está en funcionamiento.
2. Mueva la hidrolavadora a una superficie plana y nivelada.
3. Retire el capuchón de la bujía de encendido tirando firmemente de la manija plástica del capuchón de la bujía, alejándolo directamente del motor (Ver Figura 63).

### AVISO

Nunca debe aplicar una carga lateral ni mover la bujía hacia los costados cuando extraiga la bujía. Si se aplica una carga lateral o se mueve la bujía hacia los costados se puede agrietar y se puede dañar el capuchón de la bujía.

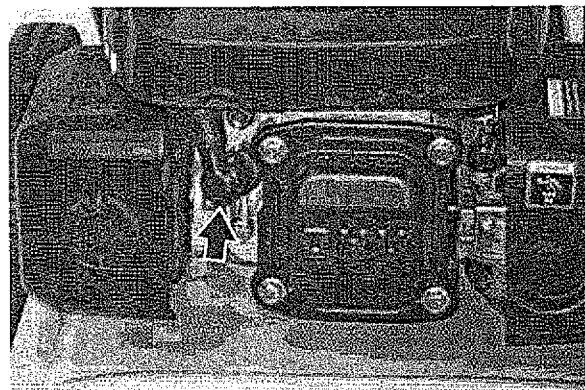


Figura 63 – Extracción del capuchón de la bujía de encendido, WP2500 y WP2800

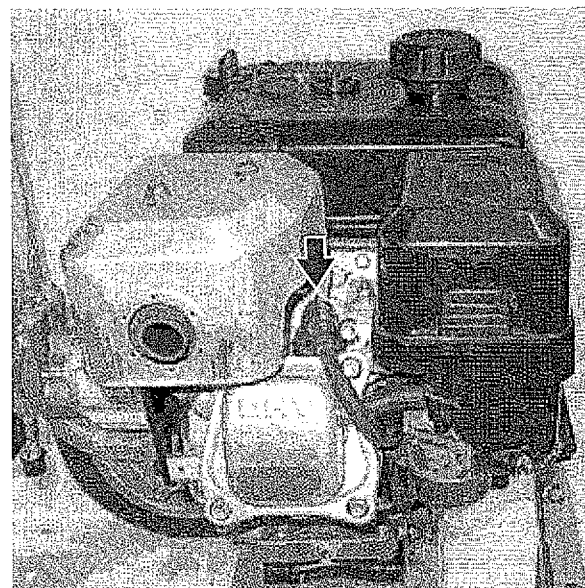


Figura 64 – Extracción del capuchón de la bujía de encendido, WP3000Z

4. Limpie la zona que rodea a la bujía de encendido.
5. Saque la bujía de la tapa del cilindro (Ver Figura 65).

# MANTENIMIENTO

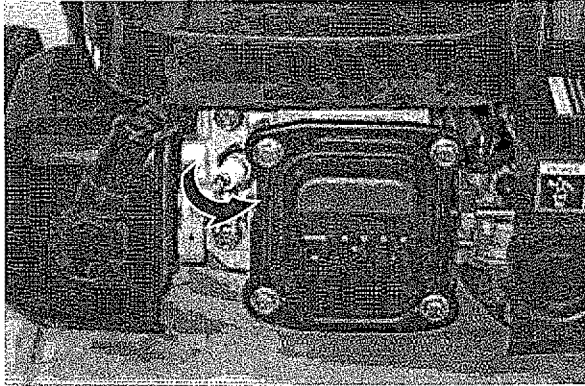


Figura 65 – Extracción de la bujía de encendido, WP2500 y WP2800

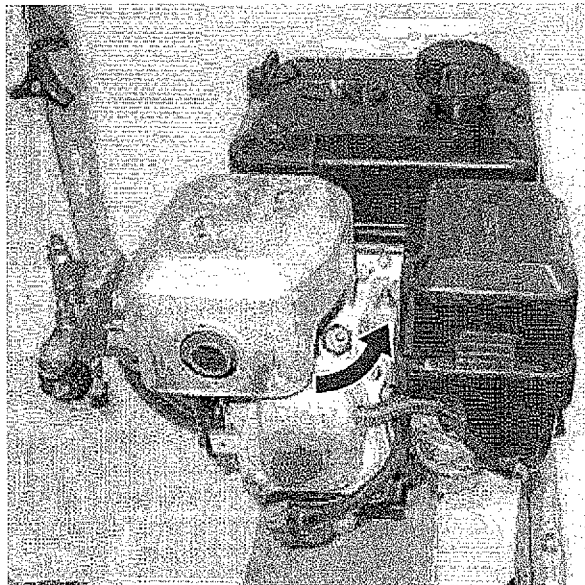


Figura 66 – Extracción de la bujía de encendido, WP3000Z

6. Coloque una tela limpia sobre la abertura que se generó al extraer la bujía de encendido para asegurar que no pueda ingresar suciedad en la cámara de combustión.
7. Inspeccione la bujía de encendido para detectar:
  - Si el aislador está agrietado o astillado.
  - Si está excesivamente desgastada
  - Separación de la bujía de encendido (el límite aceptable de 0,024 – 0,032 pulgadas [0,60 – 0,80 mm]) (Ver Figura 67).

Si la bujía de encendido tiene algún problema en relación con las condiciones establecidas precedentemente, debe reemplazarla por una Champion RN11YC4 o equivalente.

## AVISO

Sólo debe usar la bujía de encendido recomendada (Champion RN11YC4 o equivalente). Si se utiliza una bujía de encendido no recomendada se podría dañar el motor.

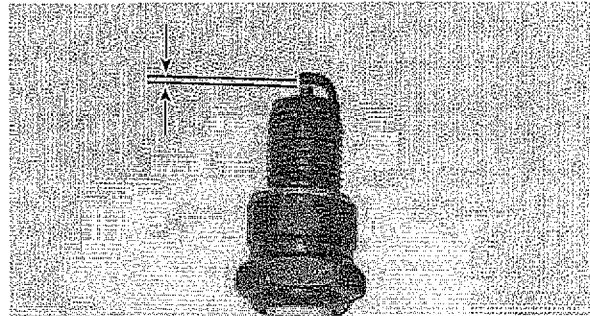


Figura 67 – Requisitos de separación de la bujía

8. Coloque la bujía de encendido siguiendo atentamente los pasos que se detallan a continuación:
  - a - Inserte con cuidado la bujía nuevamente dentro de la cabeza del cilindro. Enrosque manualmente la bujía hasta que sobresalga la base.
  - b - Gire la bujía de encendido para asegurar que esté totalmente acomodada.
  - c - Vuelva a colocar el capuchón de la bujía, comprobando que se enganche completamente con la punta de la bujía.

## COMPONENTES DE LA HIDROLAVADORA

### Cedazo del filtro de agua

1. Extraiga la manguera de entrada de agua.
2. Extraiga el cedazo del filtro de agua en forma de cono del accesorio de la manguera de entrada de agua (Ver Figura 68).

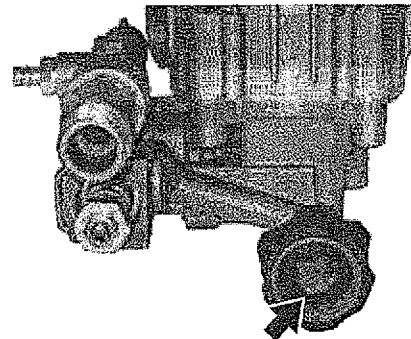


Figura 68 – Se muestra el cedazo del filtro de agua WP2800

3. Examine el cedazo del filtro de agua por restos de basura o daño.
4. Si el cedazo del filtro de agua está obstruido o lleno de restos de basura, límpielo enjuagándolo con agua a ambos lados. Si está dañado, sustitúyalo.
5. Vuelva a insertar el cedazo del filtro de agua en el casquillo de la manguera de entrada de agua. El costado del cono debe estar orientado hacia fuera

## Manguera de alta presión y pistola atomizadora

### Manguera de alta presión

1. Extraiga la manguera de alta presión.
2. Examine las juntas tóricas en los casquillos de la manguera. Sustituya si está agrietada o parida.
3. Examine la manguera de alta presión por pérdidas o daños.
4. Sustituya la manguera de alta presión si hay pérdidas o daños.

### Pistola atomizadora

1. Inspeccione la junta tórica en la varilla donde se conecta a la pistola atomizadora. Sustituya si está agrietada o parida.
2. Examine la conexión entre la manguera y la pistola atomizadora. Asegúrese de que la manguera esté conectada fuertemente a la pistola atomizadora.
3. Libere el bloqueo del disparador azul empujando con suavidad el disparador hacia adelante.
4. Verifique el disparador empujándolo hacia atrás. Asegúrese de que el disparador regrese a su posición original al ser liberado.

## Manguera de trasvase de jabón

1. Extraiga la manguera de trasvase de jabón (Ver Figura 69) del contenedor de jabón (si está sumergida).

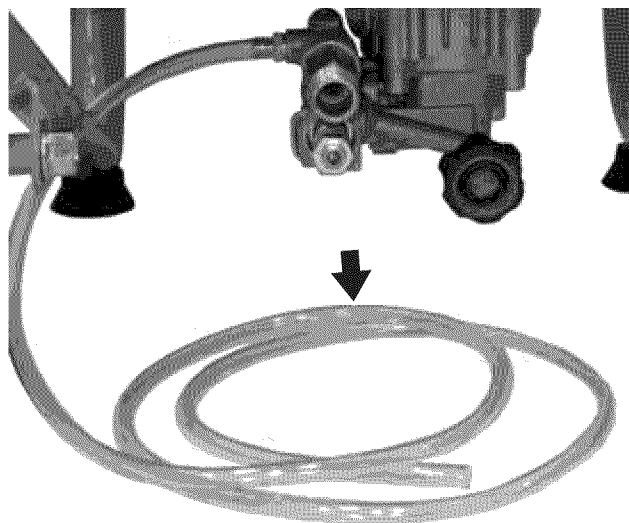


Figura 69 – Se muestra la manguera de trasvase de jabón WP2800

2. Inspeccione la manguera de trasvase de jabón. Límpiela si está obstruido.
3. Inspeccione la manguera de trasvase de jabón buscando pérdidas o daños.
4. Reemplace la manguera si está dañada.

## Boquilla

1. Apague la hidrolavadora y cierre el suministro de agua.
2. Tire del disparador de la pistola atomizadora para liberar presión de agua que haya quedado.
3. Extraiga la punta del atomizador del extremo de la extensión de la boquilla (Ver Figura 70).

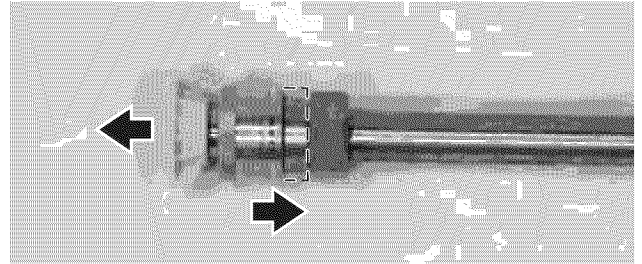


Figura 70 – Extracción de punta del atomizador

4. Quite obstrucciones con un clip para papel o herramienta similar.
5. Enjuague la punta del atomizador con agua limpia.
6. Retire la extensión de la boquilla de la pistola atomizadora (Ver Figura 71).

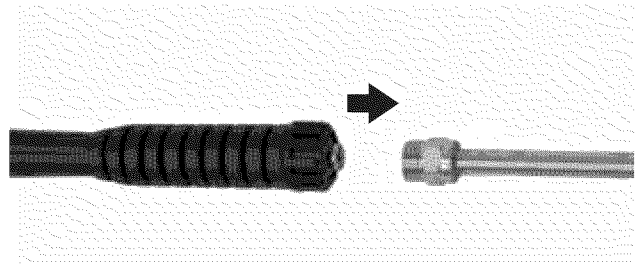


Figura 71 – Extracción de extensión de boquilla

7. Enjuague con agua limpia a través de la extensión de la boquilla de 30 - 60 segundos.
8. Vuelva a conectar la extensión de la boquilla a la pistola atomizadora.
9. Vuelva a instalar la punta del atomizador en la extensión de la boquilla.

## DESPUÉS DE CADA USO

1. Apague la hidrolavadora y cierre el suministro de agua.
2. Extraiga la manguera de trasvase de jabón del contenedor de jabón e insértela en un contenedor con agua limpia.
3. Abra el suministro de agua y encienda la hidrolavadora.

# MANTENIMIENTO

4. Tire del disparador de la pistola atomizadora y atomizadora de 1 - 2 minutos. Esto asegurará que todo el jabón restante se enjuague de la bomba.
5. Apague la hidrolavadora y cierre el suministro de agua.
6. Tire del disparador de la pistola atomizadora para liberar presión que haya quedado.
7. Deje que la hidrolavadora se enfríe.
8. Desconecte la manguera de alta presión y manguera de entrada de agua.
9. Drene las mangueras, pistola atomizadora y extensión de boquilla.
10. Enganche el bloqueo del disparador a la pistola atomizadora.
11. Limpie el agua que haya quedado con un paño limpio, seco.
12. Mientras la hidrolavadora esté apagada, tire de la manija de retroceso 5 - 6 veces. Esto debería extraer la mayor parte del resto de líquido que haya quedado dentro de la bomba.
13. Guarde la hidrolavadora en un lugar limpio, seco.

## ALMACENAMIENTO DE LARGO PLAZO



### ADVERTENCIA



No almacene nunca una hidrolavadora que tenga combustible en el depósito en interiores ni en un lugar poco ventilado donde los vapores pueden entrar en contacto con una fuente de ignición como: 1) luz piloto de una hornalla, calentador de agua, secadora de ropa ni ningún otro artefacto a gas; o 2) chispa de un artefacto eléctrico.

### AVISO

La gasolina que se almacena por tan sólo 60 días puede echarse a perder, provocando la formación de goma, barniz y acumulación corrosiva en las líneas de combustible, los conductos de combustible y el motor. Esta acumulación corrosiva limita la circulación de combustible, lo que evita que el motor arranque después de un período de almacenamiento prolongado.

Se deben tomar precauciones adecuadas para preparar la hidrolavadora para un almacenamiento de largo plazo.

## Procedimiento para almacenar la unidad durante 1 a 3 meses

1. Limpie la hidrolavadora como se indica en *Después de cada uso en la página 45*.
2. Agregue un estabilizador de gasolina al depósito de combustible. Siga el procedimiento recomendado del fabricante del estabilizador de combustible para saber la cantidad correcta de estabilizador que debe agregar.

## Procedimiento para almacenar la unidad durante más de tres meses

1. Limpie la hidrolavadora como se indica en *Después de cada uso en la página 45*.
2. Drene toda la gasolina del depósito de combustible lo mejor posible.
3. Conecte una manguera al accesorio de entrada de agua y abra el agua de la manguera.
4. Encienda el motor y deje que la hidrolavadora funcione hasta que toda la gasolina que haya quedado en las tuberías de combustible y carburador se hayan consumido y el motor se apague.
5. Limpie la hidrolavadora como se indica en *Después de cada uso en la página 45*.
6. Cambie el aceite (*Vea Procedimiento para agregar el aceite del motor en la página 38*).
7. Retire la bujía (*Vea Mantenimiento de bujía en la página 43*) y coloque alrededor de 1 cucharada de aceite en la apertura de la bujía de encendido. Mientras coloca una tela limpia sobre la abertura de la bujía de encendido, tire lentamente de la manija de retroceso para permitir que el motor gire varias veces. Así se distribuirá el aceite y se protegerá la pared del cilindro de la corrosión durante el almacenamiento.
8. Reemplace la bujía (*Vea Mantenimiento de bujía en la página 43*).
9. Traslade la hidrolavadora a un lugar limpio y seco para almacenarlo.

## ALMACENAMIENTO EN INVIERNO

1. Siga los pasos 1 a 11 en *Después de cada uso en la página 45*.
2. Guarde las mangueras, pistola atomizadora y extensión de boquilla.
3. Desconecte el cable de la bujía de encendido.
4. Conecte un segmento de 3 pies (1 metro) de la manguera del jardín al casquillo de la manguera de entrada de agua.
5. Al utilizar un embudo, vierta 6 oz (177 mL) de anticongelante RV en la manguera.

### AVISO

Sólo utilice anticongelante RV. Cualquier otro anticongelante puede dañar la bomba.

6. Lentamente tire de la manija de retroceso varias veces, hasta que el anticongelante salga del casquillo de alta presión de la bomba.
7. Extraiga la manguera del jardín de 3 pies (1 metro).
8. Vuelva a conectar el cable de la bujía de encendido.
9. Guarde la hidrolavadora en un lugar limpio, seco.

## Retire e instale la bomba – WP2500 y WP2800

1. Desconecte la manguera de alta presión y la manguera de trasvase de jabón de la bomba.

**NOTA:** Los pernos de montaje de la bomba también sujetan el motor en posición. No incline la unidad o se podría dañar el motor al retirar la bomba.

2. Retire los 3 pernos de montaje y las arandelas que sujetan la bomba al bastidor (Ver Figura 72).
3. Deslice la bomba hacia abajo para sacarla del cigüeñal (Ver Figura 72).

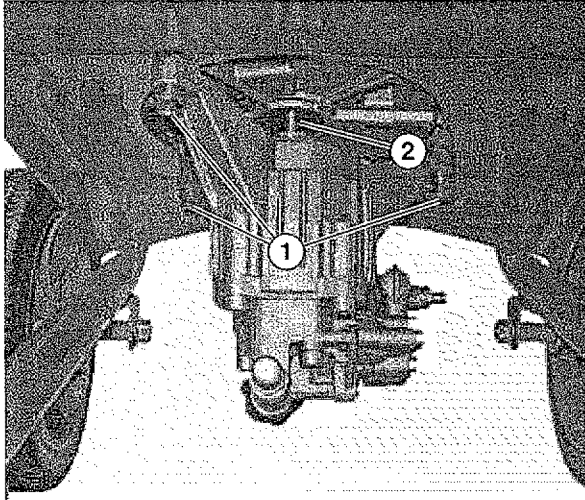


Figura 72 – Se muestran los pernos de montaje de la bomba/ el motor WP2500

- |  |                    |
|--|--------------------|
| 1 - Montaje de la bomba y el motor<br>Pernos y arandelas | 2 - Motor Cigüeñal |
|--|--------------------|

4. Inspeccione la chaveta y el chavetero del cigüeñal (Ver Figura 73).

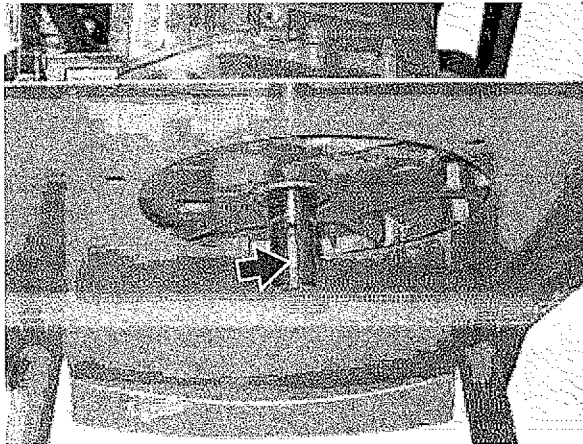


Figura 73 – Se muestra la chaveta y el chavetero del cigüeñal WP2500

5. Aplique una capa delgada de grasa sobre el cigüeñal antes de instalar la bomba.
6. Deslice la bomba sobre el cigüeñal comprobando que la chaveta está alineada con el chavetero de la bomba.

7. Instale los pernos de montaje de bomba/motor y ajuste a 25 pies-libra (34 N·m).

## Retire e instale la bomba – WP3000Z

1. Desconecte la manguera de alta presión y la manguera de trasvase de jabón de la bomba.
2. Retire los 4 pernos de montaje que sujetan la bomba al motor (Ver Figura 74).

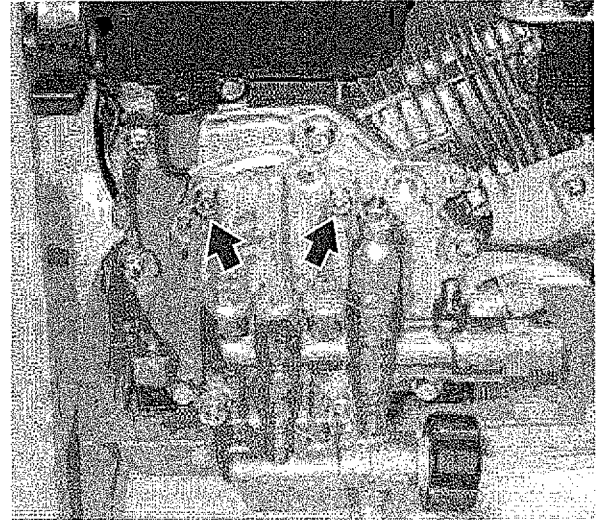


Figura 74 – Pernos de montaje de bomba

3. Deslice la bomba fuera del cigüeñal (Ver Figura 74).
4. Inspeccione la chaveta y el chavetero del cigüeñal (Ver Figura 75).

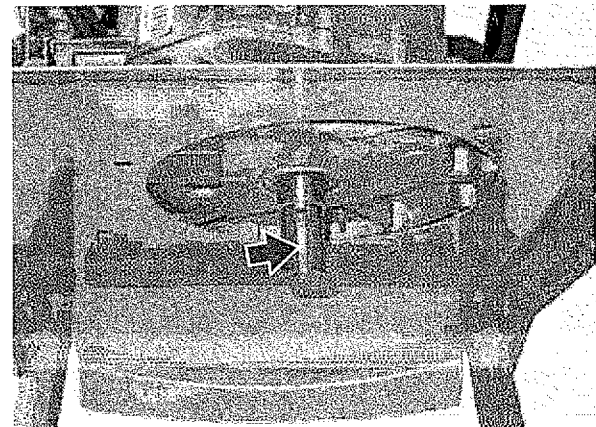


Figura 75 – Chaveta y chavetero de cigüeñal

5. Aplique una capa delgada de grasa sobre el cigüeñal antes de instalar la bomba.
6. Deslice la bomba sobre el cigüeñal comprobando que la chaveta está alineada con el chavetero de la bomba.
7. Instale los pernos de montaje de bomba/motor y ajuste a 30 pies-libra (41 N·m).

# SOLUCIÓN DE PROBLEMAS

## SOLUCIÓN DE PROBLEMAS



### ADVERTENCIA



Antes de intentar realizar el servicio o detectar los problemas de la hidrolavadora, el propietario o el técnico de servicios deben leer primero el manual del propietario y comprender y respetar todas las instrucciones de seguridad. Si no se respetan todas las instrucciones, se pueden generar condiciones que pueden provocar la anulación de la certificación de la EPA o de la garantía del producto, lesiones personales graves, daños a la propiedad o incluso la muerte.

PROBLEMA	CAUSA POSIBLE	SOLUCIÓN
El motor no arrancará.	1. Válvula de cierre de combustible (si está equipada) está en la posición OFF.	1. Mueva la válvula de cierre de combustible a la posición ON (ENCENDIDO).
	2. La hidrolavadora no tiene combustible.	2. Agregue combustible a la hidrolavadora.
	3. La circulación de combustible está obstruida.	3. Inspeccione y limpie los conductos de suministro de combustible.
	4. La unida no está bien cebada.	4. Oprima la perilla de cebado tres veces.
	5. El filtro de aire está sucio.	5. Verifique y limpie el filtro de aire.
	6. El nivel de aceite es bajo.	6. Verifique el nivel de aceite y agregue si es necesario.
	7. El capuchón de la bujía de encendido no está completamente conectado con la punta de la bujía.	7. Firmemente empuje la bujía de encendido para asegurar que el arranque esté bien enganchado.
	8. La bujía de encendido está defectuosa.	8. Retire y controle la bujía de encendido. Reemplace si está dañado.
	9. El combustible se ha echado a perder.	9. Drene combustible y sustituya con combustible fresco.
	10. Agua en combustible	10. Drene combustible y sustituya con combustible fresco.
	11. Si después de intentar con los paso 1 a 10 precedentes no se soluciona el problema, la causa podría ser una falla en la hidrolavadora.	11. Lleve la hidrolavadora al distribuidor de servicio autorizado más cercano.
De repente el motor deja de funcionar.	1. La hidrolavadora no tiene combustible.	1. Verifique el nivel de combustible. Agregue combustible si es necesario.
	2. El nivel de aceite es bajo.	2. Verifique el nivel de aceite y agregue si es necesario.
	3. Si después de intentar con los paso 1 a 2 precedentes no se soluciona el problema, la causa podría ser una falla en la hidrolavadora.	3. Lleve la hidrolavadora al distribuidor de servicio autorizado más cercano.

# SOLUCIÓN DE PROBLEMAS

PROBLEMA	CAUSA POSIBLE	SOLUCIÓN
El motor funciona de manera errática, no mantiene RPM constantes.	1. La palanca del cebador (si está equipada) se dejó en la posición <b>ON (ENCENDIDO)</b> .	1. Mueva la palanca del cebador (si está equipada) a la posición <b>OFF (APAGADO)</b> .
	2. El filtro de aire está sucio.	2. Verifique y limpie el filtro de aire.
	3. Si después de intentar con los pasos 1 a 2 precedentes no se soluciona el problema, la causa podría ser una falla en la hidrolavadora.	3. Lleve la hidrolavadora al distribuidor de servicio autorizado más cercano.
Presión baja o sin presión	1. El suministro de agua es bajo.	1. Aumente el suministro de agua.
	2. La boquilla está obstruida.	2. Limpie la boquilla.
	3. El cedazo del filtro de agua está obstruido.	3. Extraiga el filtro y límpielo.
	4. La entrada de agua está obstruida.	4. Limpie la entrada.
	5. La manguera de entrada está doblada o hay pérdidas.	5. Ajuste la manguera de entrada y repare pérdidas.
	6. La manguera de alta presión está obstruida o hay pérdidas.	6. Verifique las obstrucciones en la manguera o sustituya la manguera.
	7. Hay pérdidas en el casquillo de la manguera de alta presión.	7. Ajuste el casquillo. Aplique cinta selladora si es necesario.
	8. Si después de intentar con los pasos 1 a 7 precedentes no se soluciona el problema, la causa podría ser una falla en la hidrolavadora.	8. Lleve la hidrolavadora al distribuidor de servicio autorizado más cercano.
El jabón no se mezcla con atomizador de agua.	1. La manguera de trasvase de jabón no está sumergida.	1. Inserte correctamente la manguera de trasvase de jabón dentro del contenedor de jabón.
	2. La manguera de trasvase de jabón está obstruida.	2. Elimine las obstrucciones en la manguera de trasvase de jabón.

# GARANTÍA

---

## GARANTÍA LIMITADA DE "TRES AÑOS" DE WESTPRO POWER SYSTEMS

A partir de Mayo de 2012

### RESPONSABILIDAD DE WESTPRO

Westpro Power Systems, LLC ("WESTPRO") garantiza al comprador original que la línea Westinghouse de hidrolavadoras estará libre de defectos en los materiales y la mano de obra. En condiciones normales de uso y mantenimiento a partir de la fecha de la compra, WESTPRO acuerda reparar o reemplazar, a criterio de WESTPRO, cualquier producto defectuoso sin cargo en cualquier Distribuidor de Servicio Autorizado WESTPRO que esté dentro de las aplicaciones, los períodos, las limitaciones y las exclusiones que se mencionan a continuación. LA GARANTÍA LIMITADA SE EXTIENDE ÚNICAMENTE AL COMPRADOR ORIGINAL Y NO SE PUEDE TRANSFERIR A LOS PROPIETARIOS POSTERIORES EXCEPTO PARA LAS PIEZAS RELACIONADAS CON LAS EMISIONES. Esta garantía es independiente de la declaración de garantía del control de emisiones que se suministra con el producto nuevo. Consulte la declaración de garantía del control de emisiones para obtener información sobre las piezas relacionadas con las emisiones. Para obtener una lista de los Distribuidores de Servicio Autorizados WESTPRO consulte [www.westpropower.com](http://www.westpropower.com) o llame al 1-855-944-3571.

### RESPONSABILIDAD DEL PROPIETARIO

Para asegurar la cobertura sin problemas de la garantía es importante que registre la hidrolavadora WESTPRO Westinghouse. Puede registrarla en línea en [www.westpropower.com](http://www.westpropower.com), por línea de teléfono automática al 1-855-944-3571, o completando y regresando a WESTPRO la tarjeta de registro de la garantía que se suministró con la hidrolavadora. El registro del producto confirma la cobertura de la garantía y establece una relación directa entre usted y WESTPRO, por si necesitamos comunicarnos con usted.

El recibo de compra que incluye la fecha, el modelo y el número de serie debe guardarse y presentarse ante el Distribuidor de Servicio Autorizado WESTPRO para obtener el servicio de la garantía. El comprobante de la compra le corresponde únicamente a usted, el comprador original.

Usted debe demostrar que el uso y el cuidado del producto fueron razonables y debe tomar las medidas de mantenimiento preventivo, almacenamiento y uso de combustible y aceite que se establecen en las indicaciones del manual del operador para la unidad WESTPRO Westinghouse. Si surge una dificultad con el producto, usted debe, por su cuenta, entregar o enviar la unidad WESTPRO Westinghouse a nuestro Distribuidor de Servicio Autorizado WESTPRO para las reparaciones de la garantía (lo que debe hacerse durante el período aplicable de la garantía) y disponer la recolección o devolución de la unidad después de que se hayan realizado las reparaciones. Para saber cuál es el Distribuidor de Servicio Autorizado WESTPRO que está más cerca de su ubicación, llame a la línea telefónica automática al 1-855-944-3571 o puede encontrar un Distribuidor de Servicio Autorizado WESTPRO en [www.westpropower.com](http://www.westpropower.com). Si necesita ayuda o si tiene preguntas en relación con la Declaración de Garantía de WESTPRO, puede comunicarse con nosotros a través de la Web en [www.westpropower.com](http://www.westpropower.com) o llamando al 1-855-944-3571.

## APLICACIONES Y PERÍODOS DE LA GARANTÍA DEL PRODUCTO

### APLICACIÓN PARA EL CONSUMO

A los fines de esta garantía limitada "Aplicación de consumo" se refiere al uso por parte del comprador original para su residencia personal o para recreación.

Las piezas y la mano de obra estarán cubiertas al 100% durante un período de un (1) año a partir de la fecha de la compra.

Únicamente las piezas estarán cubiertas al 100% durante un período de tres (3) años a partir de la fecha de la compra.

Si no está disponible un comprobante de la compra para establecer la fecha de la misma ni se registró el equipo como se sugirió en el presente documento, la fecha de fabricación registrada por WESTPRO se considerará que es el inicio del período de la garantía del producto.

### APLICACIÓN COMERCIAL

A los fines de esta garantía limitada "Aplicación comercial" se refiere al uso por parte del comprador original para obtener un ingreso, uso relacionado con los negocios. Una vez que la hidrolavadora se haya usado para obtener un ingreso y para un uso relacionado con los negocios, se considerará que tiene una "Aplicación comercial" y se aplicará la siguiente garantía.

Las piezas y la mano de obra estarán cubiertas al 100% durante un período de un (1) año a partir de la fecha de la compra.

Si no está disponible un comprobante de la compra para establecer la fecha de la misma ni se registró el equipo como se sugirió en el presente documento, la fecha de fabricación registrada por WESTPRO se considerará que es el inicio del período de la garantía del producto.





## EXCLUSIONES

- Las hidrolavadoras portátiles WESTPRO que utilizan piezas de reemplazo que no son WESTPRO.
- Los costos del mantenimiento y los ajustes normales.
- Las fallas ocasionadas por combustibles contaminados, aceites o la falta de niveles adecuados de aceite.
- Las reparaciones o los diagnósticos realizados por personas que no son distribuidores WESTPRO autorizados por escrito por WESTPRO.
- Las fallas ocasionadas por el desgaste normal, accidentes, uso indebido, abuso, negligencia o uso inadecuado. Como todos los dispositivos mecánicos, los motores WESTPRO necesitan un servicio y reemplazo periódico de las piezas para que funcionen conforme a su diseño. Esta garantía no cubrirá la reparación cuando el uso normal haya agotado la vida útil de una pieza o un motor.
- Las fallas ocasionadas por una causa externa o un hecho fortuito, incluidos por ejemplo, choque, robo, vandalismo, disturbios, guerra, incendio, congelamiento, rayos, terremoto, tormenta de viento, granizo, agua, inundación, tornado o huracán.
- Daños relacionados con una plaga de roedores y/o insectos.
- Los productos que han sido modificados o alterados de manera no autorizada por escrito por WESTPRO.
- Los daños incidentales, resultantes o indirectos ocasionados por defectos en los materiales o la mano de obra, o la demora en la reparación o el reemplazo de las piezas defectuosas.
- Las fallas ocasionadas por usar la unidad para aplicaciones incorrectas.
- Los gastos de teléfono, telefonía celular, facsímil, acceso a internet u otros gastos de comunicación.
- Los gastos relacionados con las "instrucciones del cliente" o la detección de problemas cuando no se encuentran defectos de fabricación.
- Los costos de transporte nocturno o de envío especial para el reemplazo de piezas.
- Los pagos de horas extras, feriados o trabajos de urgencia.
- Las baterías de arranque, los fusibles, las lámparas y los líquidos para motor.

## EXCLUSIONES DE GARANTÍAS IMPLÍCITAS

Esta garantía reemplaza a todas las demás garantías expresas o implícitas, incluidas las garantías de ADECUACIÓN PARA UN PROPÓSITO O USO PARTICULAR y las garantías implícitas de COMERCIABILIDAD que se aplican de otro modo a la línea de hidrolavadoras Westinghouse de WESTPRO. WESTPRO y sus compañías afiliadas no serán responsables por ningún daño especial, incidental o resultante, incluida la pérdida de ganancias. No se extienden otras garantías que las que se establecen en el presente documento. Únicamente WESTPRO puede modificar esta garantía limitada. Las garantías implícitas que permite la ley tendrán una duración limitada conforme a las condiciones de la garantía expresa establecida en el presente documento. En algunos estados no se permiten las limitaciones a la duración de una garantía implícita, por lo que es posible que la limitación precedente no sea aplicable en su caso. En algunos estados no se permite la exclusión o la limitación de los daños incidentales o resultantes, por lo que es posible que la limitación precedente no sea aplicable en su caso. Esta garantía le otorga derechos legales específicos. Además, cuenta con otros derechos que varían de un estado a otro. LA ÚNICA RESPONSABILIDAD DE WESTPRO SERÁ LA REPARACIÓN O EL REEMPLAZO SEGÚN LO ESTABLECIDO PRECEDENTEMENTE. EN NINGÚN CASO WESTPRO SERÁ RESPONSABLE POR DAÑOS INCIDENTALES O RESULTANTES, INCLUSO SI TALES DAÑOS SE PRODUCEN COMO RESULTADO DIRECTO DE LA NEGLIGENCIA DE WESTPRO. En algunos estados no se permite la exclusión o la limitación de los daños incidentales o resultantes, por lo que es posible que la limitación precedente no sea aplicable en su caso. Esta garantía le otorga derechos legales específicos y también puede contar con otros derechos que varían de un estado a otro.

Esta garantía limitada es otorgada por Westpro Power Systems, LLC, W237 N2889 Woodgate Rd. Unit B, Pewaukee, WI 53072.

# **GARANTÍA DE CONTROL DE EMISIONES**

## **DECLARACIÓN DE GARANTÍA DE CONTROL DE EMISIONES FEDERAL Y/O DE CALIFORNIA**

### **DERECHOS Y OBLIGACIONES QUE LE CORRESPONDEN EN VIRTUD DE LA GARANTÍA**

Westpro Power Systems, LLC, la Agencia de Protección Ambiental (EPA, en inglés) de los Estados Unidos, y, para los productos certificados para la venta en el estado de California, la Junta de Recursos del Aire de California (CARB, en inglés) se complacen en explicar la garantía del sistema de control de emisiones (ECS, en inglés) (de evaporaciones y/o escapes) del motor pequeño encendido por chispa para uso fuera de carreteras del modelo 2012 y posteriores (motor de equipos de exteriores). En California, los nuevos motores de equipos de exteriores deben diseñarse, construirse y equiparse de manera que cumplan con las rigurosas normas anticontaminación del estado (en otros estados, los equipos del modelo 1997 y posteriores deben diseñarse, construirse y equiparse para cumplir con las normativas de la EPA de EE. UU. para los motores pequeños encendidos por chispa para uso fuera de carreteras). Westpro Power Systems, LLC debe garantizar el ECS del motor del equipo de exteriores durante el plazo que se menciona a continuación siempre que no haya habido abuso, negligencia ni mantenimiento inadecuado de dicho motor.

El ECS puede incluir piezas como el carburador, el sistema de inyección de combustible, el sistema de encendido, el convertidor catalítico, depósitos de combustible, líneas de combustible, tapones de combustible, válvulas, botes, filtros, mangueras de vapor, abrazaderas, conectores y otros componentes relacionados con la emisión.

**Cuando se presente una circunstancia cubierta por la garantía, Westpro Power Systems, LLC reparará el motor del equipo de exteriores sin costo para usted, incluido el diagnóstico, las piezas y la mano de obra.**

### **COBERTURA DE LA GARANTÍA DEL FABRICANTE:**

Este sistema de control de emisiones se garantiza por dos años. Si alguna pieza del motor del equipo de exteriores que está relacionada con las emisiones presenta defectos, será reparada o reemplazada por un Distribuidor de servicio de garantía autorizado de **Westpro Power Systems, LLC**.

### **RESPONSABILIDADES DEL PROPIETARIO EN RELACIÓN CON LA GARANTÍA:**

Como propietario del motor del equipo de exteriores, usted es responsable de la realización del mantenimiento requerido que se menciona en el manual del propietario. Westpro Power Systems, LLC le recomienda conservar todos los recibos correspondientes al mantenimiento del motor del equipo de exteriores, pero Westpro Power Systems, LLC no puede negar la garantía sólo porque le falten recibos o porque usted no aseguró la realización del mantenimiento programado.

Como propietario del motor del equipo de exteriores, debe saber sin embargo que Westpro Power Systems, LLC puede rehusarse a brindarle la cobertura de la garantía si el motor del equipo de exteriores o una pieza falló por abuso, negligencia, mantenimiento inadecuado o modificaciones no autorizadas.

Usted es responsable de presentar el motor del equipo de exteriores ante el Distribuidor de servicio de garantía autorizado de Westpro Power Systems, LLC tan pronto como surja el problema. Las reparaciones de la garantía deben completarse en un plazo razonable que no debe superar los 30 días.

Si tiene preguntas en relación con los derechos y las responsabilidades que le corresponden conforme a la garantía, debe comunicarse con un Representante de servicios de Westpro Power Systems, LLC llamando al 1-855-WHHELP1 (1-855-944-3571) o comuníquese con Westpro Power Systems, LLC a la siguiente dirección: W237 N2889 Woodgate Road, Unit B, Pewaukee, WI 53072.

### **REQUISITOS DE LA GARANTÍA DE DEFECTOS**

Westpro Power Systems, LLC le garantiza al propietario/comprador final original y a cada comprador posterior, que el motor del equipo de exteriores:

1. Está diseñado, construido y equipado para que cumpla con todas las normativas aplicables.
2. Está libre de defectos en los materiales y la mano de obra que pueden ocasionar la falla de una pieza garantizada en cualquier momento durante el período de la garantía del ECS.
3. Las piezas garantizadas son idénticas en todos los aspectos materiales a la pieza que se describe en la solicitud de certificación de Chongqing Zongshen General Power Machine Co., LTD.

El período de la garantía comienza el día de la fecha en que se entrega el motor del equipo de exteriores al propietario/comprador final original o que se pone en servicio por primera vez. El período de la garantía es de dos años.



# GARANTÍA DE CONTROL DE EMISIONES

Sujeto a ciertas condiciones y exclusiones como se establece a continuación, la garantía de las piezas relacionadas con las emisiones es la siguiente:

1. Toda pieza garantizada que no está programado que se reemplace conforme al mantenimiento requerido en las instrucciones escritas suministradas, está garantizada durante el período de garantía establecido precedentemente. Si la pieza falla durante el plazo de cobertura de la garantía, Westpro Power Systems, LLC la reparará o reemplazará de acuerdo con el inciso (4) a continuación. Las piezas reparadas o reemplazadas en virtud de la garantía se garantizarán por el resto del período.
2. Las piezas garantizadas que están programadas sólo para una inspección habitual en las instrucciones escritas suministradas se garantizan durante el período de la garantía establecido precedentemente. Las piezas que se reparen o reemplacen en virtud de la garantía se garantizarán por el resto del período de la garantía.
3. Toda pieza garantizada que está programado que se reemplace conforme al mantenimiento requerido en las instrucciones escritas suministradas, está garantizada durante el período anterior a la primera fecha de reemplazo programada para dicha pieza. Si la pieza falla antes del primer reemplazo programado, Westpro Power Systems, LLC la reparará o reemplazará de acuerdo con el inciso (4) a continuación. Las piezas que se reparen o reemplacen en virtud de la garantía se garantizarán por el resto del período anterior al primer punto de reemplazo programado de la pieza.
4. La reparación o el reemplazo de una pieza garantizada de acuerdo con las disposiciones de la garantía que se incluyen en este documento debe llevarlas a cabo un Distribuidor de servicio de garantía autorizado de Westpro Power Systems, LLC sin cargo para el propietario.
5. Al propietario no se le debe cobrar el trabajo de diagnóstico necesario para determinar que una pieza garantizada está de hecho defectuosa, siempre que dicho trabajo de diagnóstico lo realice un Distribuidor de servicio de garantía autorizado de Westpro Power Systems, LLC.
6. Westpro Power Systems, LLC es responsable por los daños a otros componentes del motor o del equipo causados por una falla durante el plazo de la garantía de una pieza garantizada. Durante todo el plazo de la garantía del equipo y el motor para uso fuera de carreteras Westpro Power Systems, LLC mantendrá un suministro de las piezas garantizadas que sea suficiente para satisfacer la demanda esperada de tales piezas.
7. Se puede usar cualquier pieza de reemplazo autorizada por Westpro Power Systems, LLC para llevar a cabo el mantenimiento o las reparaciones de la garantía y se deben suministrar sin cargo para el propietario. Dicho uso no reducirá las obligaciones de la garantía de Westpro Power Systems, LLC.
8. No se pueden usar piezas agregadas o modificadas que no estén exentas por la EPA o CARB. El uso de piezas modificadas o agregadas no exentas por parte del propietario/comprador final original y de cada propietario/comprador posterior se considerará causal para rechazar reclamos de la garantía. Westpro Power Systems, LLC no será responsable de la garantía por las fallas de las piezas garantizadas ocasionadas por el uso de piezas modificadas o agregadas no exentas.
9. El fabricante que emite la garantía proporcionará los documentos en los que se describen los procedimientos o políticas del fabricante en relación con la garantía dentro de los cinco días hábiles después de que los solicite la CARB.

## PIEZAS GARANTIZADAS:

La reparación o el reemplazo de cualquier pieza garantizada que de otro modo pudiese estar cubierta por la garantía puede excluirse de tal cobertura de la garantía si Westpro Power Systems, LLC demuestra que hubo abuso, negligencia o mantenimiento inadecuado al usar el motor de equipos de exteriores y dicho abuso, negligencia o mantenimiento inadecuado causó directamente la necesidad de reparar o reemplazar dicha pieza. No obstante lo mencionado precedentemente, cualquier ajuste de un componente que cuenta con un dispositivo de limitación de ajuste que se instaló en la fábrica y funciona correctamente sigue estando cubierto por la garantía. Además, la cobertura en virtud de esta garantía se extiende solamente a las piezas que estaban presentes en el equipo y el motor para uso fuera de carreteras adquiridos.

Están cubiertas las siguientes piezas con garantía para emisiones (de corresponder):

1. Sistema de medición de combustible
  - Sistema de mejora para arranque en frío (cebado suave)
  - Carburador y piezas internas (o sistema de inyección de combustible)
  - Bomba de combustible
  - Depósito de combustible
2. Sistema de inducción de aire
  - Depurador de aire
  - Colector de admisión

# **GARANTÍA DE CONTROL DE EMISIONES**

---

3. Sistema de encendido
  - Bujía(s) de encendido
  - Sistema de encendido por magneto
4. Sistema de escape
  - Convertidor catalítico
  - Inyección de aire secundaria (SAI, en inglés) (válvula Reed)
5. Componentes varios utilizados en el sistema anterior
  - Válvulas e interruptores de vacío, temperatura, posición sensibles al tiempo
  - Conectores y montajes
6. Control evaporativo
  - Manguera de combustible
  - Abrazaderas de la manguera de combustible
  - Tapón del combustible atado por correa
  - Caja de carbono
  - Líneas de vapor

## **PREGUNTAS:**

Si tiene alguna pregunta respecto de sus derechos y responsabilidades según la garantía de emisiones, comuníquese de forma gratuita con Westpro Power Systems, LLC al:

Teléfono:(855) 944-3571

Web: [service@westpropower.com](mailto:service@westpropower.com)

Dirección: Departamento de reparaciones y mantenimiento  
Westpro Power Systems, LLC  
W237 N2889 Woodgate Road, Unit B  
Pewaukee, WI 53072

Smartphone  
Users



Scan QR Code for  
more information.

Standard rates may apply.



**WESTPRO**  
POWER SYSTEMS

**Westpro Power Systems, LLC**  
W237 N2889 Woodgate Road, Unit B  
Pewaukee, WI 53072 USA  
[www.westpropower.com](http://www.westpropower.com)  
Tel (262) 522-1450  
Toll Free Service Line (855) 944-3571

Models: WP2500  
WP2800  
WP3000Z

December 2012



**Westinghouse**

INNOVATION YOU CAN BE SURE OF

© 2012

 WESTINGHOUSE, and INNOVATION YOU CAN BE SURE OF are trademarks of Westinghouse Electric Corporation. Used under license. All Rights Reserved.