

⚠️ WARNING RISK OF FIRE

- To reduce the risk of severe injury or death, follow all installation instructions.
- Clothes dryer installation must be performed by a qualified installer.
- Install the clothes dryer according to these instructions and in accordance with local codes.
- This dryer must be exhausted to the outdoors.
- Use only 4" rigid metal ducting for exhausting the clothes dryer to the outdoors.
- DO NOT install a clothes dryer with flexible plastic ducting materials. If flexible metal (semi-rigid or foil-type) duct is installed, it must be UL listed and installed in accordance with these instructions and local codes. Flexible venting materials are known to collapse, be easily crushed, and trap lint. These conditions will obstruct dryer airflow and increase the risk of fire.
- Do not install or store this appliance in any location where it could be exposed to water and or weather.
- Save these instructions. (Installers: Be sure to leave these instructions with the customer).

BEFORE YOU BEGIN Read these instructions completely and carefully.

- **IMPORTANT**- Save these instructions for local inspector's use.
- **IMPORTANT**- Observe all governing codes and ordinances.
- **Note to Installer** - Be sure to leave these instructions with the customer.
- **Note to Customer** - Keep these instructions with your Owner's Manual for future reference.
- Before the old dryer is removed from service or discarded, remove the dryer door.
- Service information and the wiring diagram are located in the control console.
- Do not allow children on or in the appliance. Close supervision of children is necessary when the appliance is used near children.
- Install the dryer where the temperature is above 50°F for satisfactory operation of the dryer control system.
- Product failure due to improper installation is not covered under the Warranty.

Tools and Materials You Need

- Slip joint pliers
- Screwdrivers (slotted or phillips head).
- Chains (x2).
- 2" x 4" studs.
- Wall hooks.
- Two 3/4" UL recognized strain relief if the power supply is from a direct wire.
- Two dryer power cord kit UL listed, rated 120/240V, 30A with 3 or 4 prongs if the power supply is from a wall receptacle.
- 4" diameter rigid metal duct, duct clamps, elbows and exhaust hood.
- Basic safety protection such as safety goggles, gloves and arm protection are recommended.

Minimum Clearance Other Than Alcove or Closet Installation - Clearance to combustible surfaces and for air opening are: 0 in. both sides and 1 in. rear. Consideration **must** be given to provide adequate clearance for operation and service.

Preparing the Installation Site and Unpacking the Dryer

1. Prepare the area and exhaust for installation of new dryer.
2. Check to be sure the existing external exhaust is clean and meets attached installation specifications.
3. Using the four shipping carton corner posts as padding (two on each side), carefully lay the dryer on its left side and remove foam shipping pad.
4. Return the dryer to an upright position.
5. Move the dryer to the desired location.

CAUTION: FOR PERSONAL SAFETY, STACKED UNITS MUST BE FASTENED SECURELY TO WALL.

Dryers installed in garages (if allowed by local codes) must be elevated 18 inches (46cm) above the floor.

⚠️ WARNING Personal Injury Hazard
Because of its weight and size, more than one person is required to lift, tilt or move the washer/dryer. Failure to do so may result in personal injury.

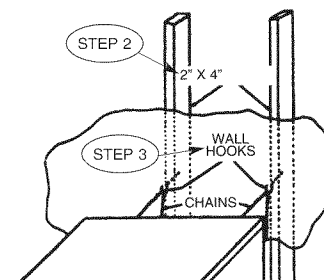
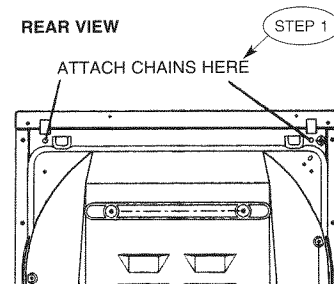
STEP 1 - Attach two chains using Phillips head screws to each end of upper unit cabinet.

STEP 2 - Locate two wall studs behind desired operating location of stacked units.

NOTE: For wall studs not appropriately spaced, see section for Alternate Method for Installation of Wall Hooks.

STEP 3 - Screw two wall hooks into two wall studs (same height as chain connections on cabinet of upper unit). Both chains should pull straight back to wall studs or angle outward. NEITHER chain should angle inward.

NOTE: The final construction must withstand a pull of 200 lbs.



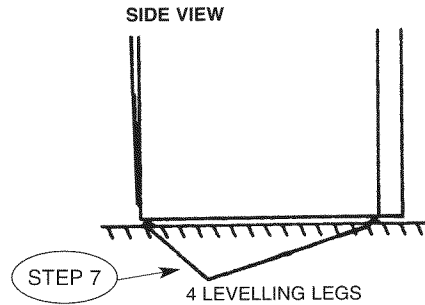
Installation Instructions

STEP 4 - Connect both dryers to power supply. (See ELECTRICAL CONNECTION INFORMATION section of this instruction.)

STEP 5 - Connect both dryers to external exhaust. (See EXHAUST INFORMATION section of this instruction.)

STEP 6 - Hook both chains from upper unit to appropriate wall hooks taking up any slack.

STEP 7 - Adjust all 4 levelling legs. Dryer must be levelled and rest firmly on all 4 levelling legs.



Alternate Method for Installation of Wall Hooks

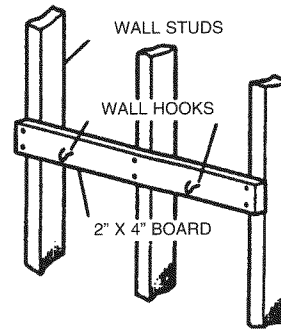
STEP 1

If wall studs are not correctly spaced or centered behind upper unit, it may be necessary to attach a horizontal 2" x 4" board to the existing wall.

STEP 2

Attach wall hooks in approximate position of two chains of upper unit so each chain pulls straight back to wall.

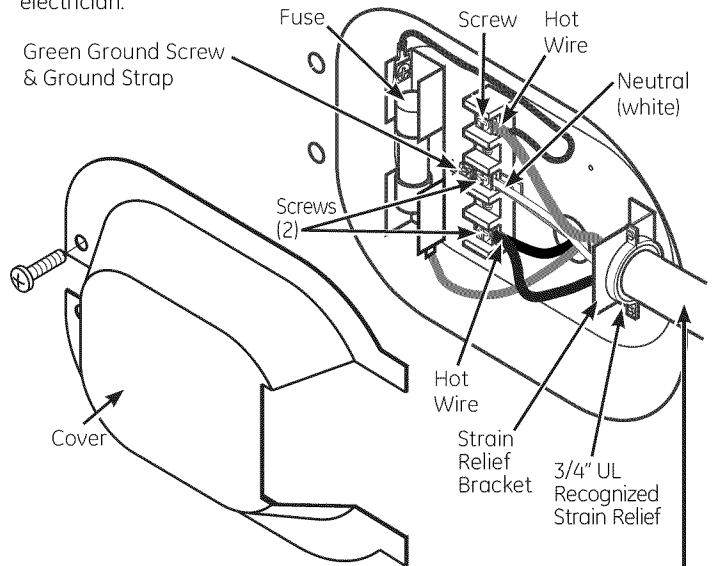
NOTE: If wall is concrete or block, drill holes and use appropriate wall anchors. The final construction must withstand a pull of 200 lbs.



CONNECTING DRYER USING 3-WIRE CONNECTION

- Remove the cover near the power cord entry hole.
- Install 3/4" UL recognized strain relief to power cord entry hole. Bring power cord through strain relief.
- Connect two HOT lines to outer screws (L1 & L2) of terminal block.
- Connect NEUTRAL (white) line to center screw (N) of terminal block.
- Tighten all terminal block screws securely.
- Properly secure power supply cable to strain relief.
- Reinstall the cover.

If required, by local code, install external ground (not provided) to grounded metal, cold water pipe, or other established ground determined by a qualified electrician.



3 #10 AWG minimum copper conductors or 120/240V 30A power supply cord kit marked for use with dryers and provided with closed loop or spade terminals with upturned ends (not supplied).

⚠ WARNING - FOR PERSONAL SAFETY THIS APPLIANCE MUST BE PROPERLY GROUNDED.

Grounding:

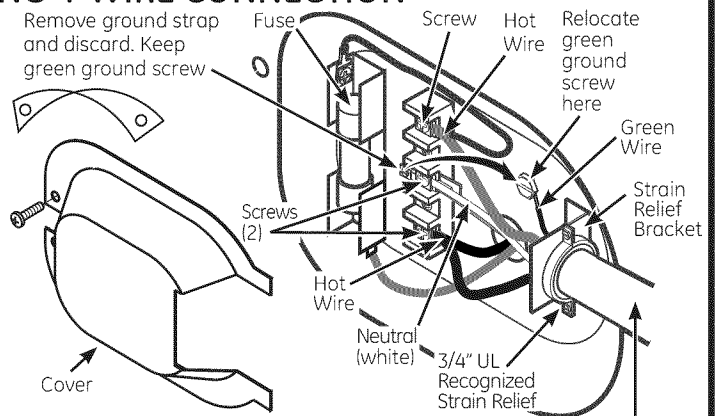
- If local codes permit, be sure ground strap is connected to neutral (centre terminal of block and to ground screw on rear frame).
- If local codes do not permit frame of dryer to be grounded to neutral, remove and discard groundstrap. The frame must be grounded by attaching a ground wire (not supplied) to the green grounding screw on rear of dryer and to a grounded metal cold water pipe or other established ground.

⚠ WARNING: NEVER LEAVE THE COVER OFF OF THE TERMINAL BLOCK.

Installation Instructions

CONNECTING DRYER USING 4-WIRE CONNECTION

- Remove the cover near the power cord entry hole.
- Install 3/4" UL recognized strain relief to power cord entry hole. Bring power cord through strain relief.
- Connect two HOT lines to outer screws (L1 & L2) of terminal block.
- Connect NEUTRAL (white) line to center screw (N) of terminal block.
- Attach ground wire of the power cord with the green ground screw (hole above strain relief bracket).
- Tighten all terminal block screws securely.
- Properly secure power supply cable to strain relief.
- Reinstall the cover.



4 #10 AWG minimum copper conductors or 120/240V 30A power supply cord kit marked for use with dryers and provided with closed loop or spade terminals with upturned ends (not supplied).

⚠ WARNING: Only a 4-conductor cord shall be used when the appliance is installed in a location where grounding through the neutral conductor is prohibited. Grounding through the neutral is prohibited for the new branch-circuit installations, mobile homes, recreational vehicles, and areas where local codes prohibit grounding through the neutral conduction.

⚠ WARNING - FOR PERSONAL SAFETY THIS APPLIANCE MUST BE PROPERLY GROUNDED.

⚠ WARNING: NEVER LEAVE THE COVER OFF OF THE TERMINAL BLOCK.

EXHAUST INFORMATION

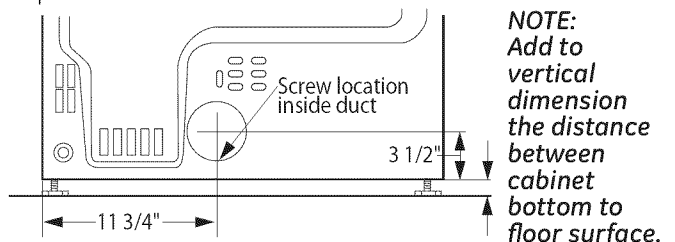
⚠ WARNING - TO REDUCE THE RISK OF FIRE OR PERSONAL INJURY:

- This clothes dryer must be exhausted to the outdoors.
- Use only 4" rigid metal ducting for home exhaust duct.
- Use only 4" rigid metal or UL-listed flexible metal (semi-rigid or foil-type) duct to connect the dryer to the home exhaust duct. It must be installed in accordance with these instructions and local codes.
- Do not terminate exhaust in a chimney, a wall, a ceiling, gas vent, crawl space, attic, under an enclosed floor, or in any other concealed space of a building. The accumulated lint could create a potential fire hazard.
- Never terminate the exhaust into a common duct with a kitchen exhaust system. A combination of grease and lint creates a potential fire hazard.
- Do not use duct longer than specified in the exhaust length table. Longer ducts can accumulate lint, creating a potential fire hazard.
- Never install a screen in or over the exhaust duct. This will cause lint to accumulate, creating a potential fire hazard.
- Do not assemble ductwork with any fasteners that extend into the duct. These fasteners can accumulate lint, creating a potential fire hazard.
- Do not obstruct incoming or exhausted air.
- Provide an access for inspection and cleaning of the exhaust system, especially at turns and joints. Exhaust system shall be inspected and cleaned at least once a year.
- In special installations, it may be necessary to connect the dryer to the house vent using a flexible metal (foil-type) duct. A UL-listed flexible metal (foil-type) duct may be used ONLY in installations where rigid metal or flexible metal (semi-rigid) ducting cannot be used AND where a 4" diameter can be maintained throughout the entire length of the transition duct. In Canada and in the United States, only the flexible metal (foil-type) ducts that comply with the "Outline for Clothes Dryer Transition Duct Subject 2158A" shall be used.

⚠ WARNING - BEFORE PERFORMING THIS EXHAUST INSTALLATION, BE SURE TO DISCONNECT THE DRYER FROM ITS ELECTRICAL SUPPLY. PROTECT YOUR HANDS AND ARMS FROM SHARP EDGES WHEN WORKING INSIDE THE CABINET. BE SURE TO WEAR GLOVES.

REAR EXHAUST LOCATION

The dryers comes ready for rear exhausting. Units have separate exhausts.



EXHAUST LENGTH

The **MAXIMUM ALLOWABLE** duct length and number of bends of the exhaust system depends upon the type of duct, number of turns, the type of exhaust hood (wall cap), and all conditions noted below. The maximum duct length for rigid metal duct is shown in the table below.

No. of 90° Elbows	RECOMMENDED MAXIMUM LENGTH	
	Exhaust Hood Types	
	Recommended	Use only for short run installations
0	45 ft.	30 ft.
1	35 ft.	20 ft.
2	25 ft.	10 ft.

- For every extra 90° elbow, reduce the allowable vent system length by 10 ft.
- Two 45° elbows will be treated like one 90° elbow.
- For the side exhaust installations, add one 90° elbow to the chart.
- The total vent system length includes all the straight portions and elbows of the system (transition duct included).

Installation Instructions

EXHAUST INFORMATION (continued)

EXHAUST SYSTEM CHECK LIST

HOOD OR WALL CAP

- Terminate in a manner to prevent back drafts or entry of birds or other wildlife.
- Termination should present minimal resistance to the exhaust air flow and should require little or no maintenance to prevent clogging.
- Never install a screen in or over the exhaust duct. This could cause lint build up.
- Wall caps must be installed at least 12 in. above ground level or any other obstruction with the opening pointed down.

SEPARATION OF TURNS

For best performance, separate all turns by at least 4 ft. of straight duct, including distance between last turn and exhaust hood (wall cap). If two turns must be closer than 3 ft., deduct 10 ft. from the maximum lengths shown in the table for each occurrence.

URNS OTHER THAN 90°

- One turn of 45° or less may be ignored.
- Two 45° turns should be treated as one 90° turn.
- Each turn over 45° should be treated as one 90° turn.

SEALING OF JOINTS

- All joints should be tight to avoid leaks. The male end of each section of duct must point away from the dryer.
- The duct shall not be assembled with screws or other fastening means that extend into the duct and catch lint.
- Duct joints can be made air and moisture-tight by wrapping the overlapped joints with duct tape.

INSULATION

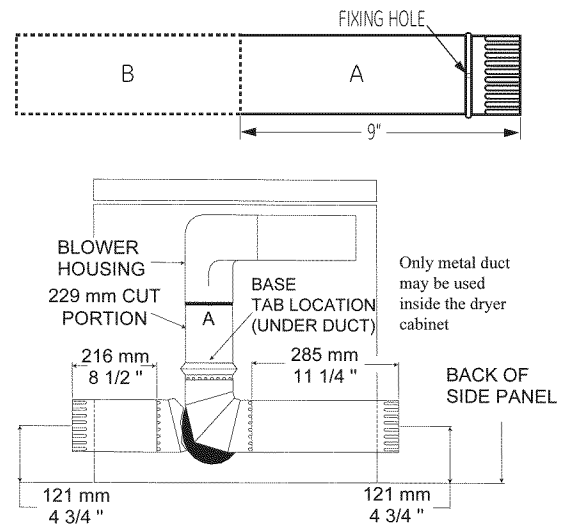
Duct work that runs through an unheated area or is near air conditioning should be insulated to reduce condensation and lint build-up.

- Horizontal runs should slope down toward the outdoors 1/4 inch per foot.

SIDE OR BOTTOM EXHAUST

THIS DRYER COMES READY FOR REAR EXHAUSTING. IF SPACE IS LIMITED, USE THESE INSTRUCTIONS TO EXHAUST DIRECTLY FROM THE SIDE OR BOTTOM OF THE CABINET.

- **Never use flexible duct inside dryer.**
- Detach and remove the desired knockout.
- Remove the screw inside the dryer exhaust duct and save. Pull the duct out of the dryer. Protect sharp edges around the knockout and exhaust opening with the tape.
- Cut the duct as shown. Keep portion A.
- Through the rear opening, locate the tab in the middle of the dryer base. Lift the tab to about 45° using a flat screwdriver.
- Reconnect and secure the cut portion (A) of the duct to the blower housing. Make sure that the fixing hole is aligned with the tab in the base. Use the screw of item 2 to secure the duct in place through the tab on the dryer base.
- Use standard metal elbows and duct to complete exhaust system. Insert standard elbow and ducts through rear and side or bottom openings.
- Cover the opening at the back with the plate (Kit WE1M454) available from your Local Service Provider.



PARTS AVAILABLE FROM LOCAL SERVICE ORGANIZATION

- Rigid Metal Duct Components
 - WX8X63 4" X 1' Duct
 - WX8X64 4" x 2' Duct
 - WX8X51 4" Elbow
 - WX8X59 Aluminum Hood
- Flexible Metal Duct Components
 - WX08X10077 4" dia. Flexible Metal (Semi-Rigid)
 - UL-Listed Transition Duct (includes 2 elbows)

⚠ WARNING—NEVER LEAVE THE BACK OPENING WITHOUT THE PLATE.

ALCOVE OR CLOSET INSTALLATION

- If your dryer is approved for installation in an alcove or closet, it will be stated on a label on the dryer back.
- The dryer **MUST** be vented to the outdoors. See the **EXHAUST INFORMATION** section.
- Minimum clearance from combustible surfaces and non-combustible surfaces for air intake purposes is:
 - 0 in. either side
 - 3 in. front and rear

NOTE: WHEN THE EXHAUST DUCT IS LOCATED AT THE REAR OF THE DRYER, MINIMUM CLEARANCE FROM THE WALL IS 5.5 in.

- Minimum vertical space from floor to overhead cabinets, ceiling, etc. is 88 in.
- Closet doors must be louvered or otherwise ventilated and must contain a minimum of 60 sq. in. of open area equally distributed. If the closet contains both a washer and a dryer, doors must contain a minimum of 120 sq. in. of open area equally distributed.
- The closet should be vented to the outdoors to prevent gas pocketing in case of a gas leak in the supply line.
- No other fuel-burning appliance shall be installed in the same closet with the dryer.