

# TOSHIBA

Leading Innovation >>>

## Integrated High Definition LED Television User's Guide:

32L4300U / 39L4300U / 50L4300U  
50L7300U / 58L7300U / 65L7300U

If you need assistance:

Toshiba's Support Web site [support.toshiba.com](http://support.toshiba.com)

For more information, see "Troubleshooting" on page 160 in this guide.

### Owner's Record

The model number and serial number are on the back and side of your television.

Record these numbers, whenever you communicate with your Toshiba dealer about this Television.

Model name: \_\_\_\_\_

Serial number: \_\_\_\_\_

Register your Toshiba Television at [register.toshiba.com](http://register.toshiba.com)

Note: To display a High Definition picture, the TV must be receiving a High Definition signal (such as an over-the-air High Definition TV broadcast, a High Definition digital cable program, or a High Definition digital satellite program). For details, contact your TV antenna installer, cable provider, or satellite provider

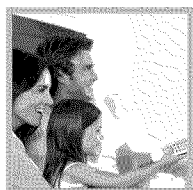
# CHILD SAFETY:

## PROPER TELEVISION PLACEMENT MATTERS



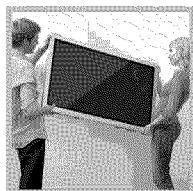
### TOSHIBA CARES

- Manufacturers, retailers and the rest of the consumer electronics industry are committed to making home entertainment safe and enjoyable.
- As you enjoy your television, please note that all televisions – new and old- must be supported on proper stands or installed according to the manufacturer's recommendations. Televisions that are inappropriately situated on dressers, bookcases, shelves, desks, speakers, chests, carts, etc., may fall over, resulting in injury.



### TUNE IN TO SAFETY

- **ALWAYS** follow the manufacturer's recommendations for the safe installation of your television.
- **ALWAYS** read and follow all instructions for proper use of your television.
- **NEVER** allow children to climb on or play on the television or the furniture on which the television is placed.
- **NEVER** place the television on furniture that can easily be used as steps, such as a chest of drawers.
- **ALWAYS** install the television where it cannot be pushed, pulled over or knocked down.
- **ALWAYS** route cords and cables connected to the television so that they cannot be tripped over, pulled or grabbed.



### WALL OR CEILING MOUNT YOUR TELEVISION

- **ALWAYS** contact your retailer about professional installation if you have any doubts about your ability to safely mount your television.
- **ALWAYS** use a mount that has been recommended by the television manufacturer and has a safety certification by an independent laboratory (such as UL, CSA, ETL).
- **ALWAYS** follow all instructions supplied by the television and mount manufacturers.
- **ALWAYS** make sure that the wall or ceiling where you are mounting the television is appropriate. Some mounts are not designed to be mounted to walls and ceilings with steel studs or cinder block construction. If you are unsure, contact a professional installer.
- Televisions can be heavy. A minimum of two people is required for a wall or ceiling mount installation.



### MOVING AN OLDER TELEVISION TO A NEW PLACE IN YOUR HOME

- Many new television buyers move their older CRT televisions into a secondary room after the purchase of a flat-panel television. Special care should be made in the placement of older CRT televisions.
- **ALWAYS** place your older CRT television on furniture that is sturdy and appropriate for its size and weight.
- **NEVER** place your older CRT television on a dresser where children may be tempted to use the drawers to climb.
- **ALWAYS** make sure your older CRT television does not hang over the edge of your furniture.

## Dear Customer,

Thank you for purchasing this Toshiba LED TV. This document will help you use the many exciting features of your new LED TV. Before operating your LED TV, carefully read this manual completely.

### Safety Precautions

**WARNING: TO REDUCE THE RISK OF FIRE OR ELECTRIC SHOCK, DO NOT EXPOSE THIS APPLIANCE TO RAIN OR MOISTURE.**



The lightning flash with arrowhead symbol, within an equilateral triangle, is intended to alert the user to the presence of uninsulated "dangerous voltage" within the product's enclosure that may be of sufficient magnitude to constitute a risk of electric shock to persons.



The exclamation point within an equilateral triangle is intended to alert the user to the presence of important operating and maintenance (servicing) instructions in the literature accompanying the appliance.

### WARNING

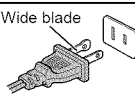

To prevent injury, this apparatus must be securely attached to the floor/wall in accordance with the installation instructions. See item 26) on page 4.

**WARNING:** If you decide to wall mount this television, always use a mounting bracket that has been Listed by an independent laboratory (such as UL, CSA, ETL) and is appropriate for the size and weight of this television. The use of inappropriate or non-Listed mounting brackets could result in serious bodily injury and/or property damage. See "To Display your LED TV using a Wall Bracket:" on page 6.

### NOTE TO CATV INSTALLERS

This is a reminder to call the CATV system installer's attention to Article 820-40 of the U.S. NEC, which provides guidelines for proper grounding and, in particular, specifies that the cable ground shall be connected to the grounding system of the building, as close to the point of cable entry as practical. For additional antenna grounding information, see items 33) and 34) on page 5.

### Important Safety Instructions

- 1) Read these instructions.
- 2) Keep these instructions.
- 3) Heed all warnings.
- 4) Follow all instructions.
- 5) Do not use this apparatus near water.
- 6) Clean only with dry cloth.
- 7) Do not block any ventilation openings. Install in accordance with the manufacturer's instructions.
- 8) Do not install near any heat sources such as radiators, heat registers, stoves, or other products (including amplifiers) that produce heat.
- 9) Do not defeat the safety purpose of the polarized or grounding type plug. A polarized plug has two blades with one wider than the other. A grounding type plug has two blades and a third grounding prong. The wide blade or the third prong are provided for your safety. If the provided plug does not fit into your outlet, consult an electrician for replacement of the obsolete outlet.
 
- 10) Protect the power cord from being walked on or pinched, particularly at plugs, convenience receptacles, and the point where they exit from the apparatus.
- 11) Only use attachments/accessories specified by the manufacturer.
- 12) Use only with the cart, stand, tripod, bracket, or table specified by the manufacturer, or sold with the apparatus. When a cart is used, use caution when moving the cart/apparatus combination to avoid injury from tip-over.
 

- 13) Unplug this apparatus during lightning storms or when unused for long periods of time.
- 14) Refer all servicing to qualified service personnel. Servicing is required when the apparatus has been damaged in any way, such as power-supply cord or plug is damaged, liquid has been spilled or objects have fallen into the apparatus, the apparatus has been exposed to rain or moisture, does not operate normally, or has been dropped.

### Additional Safety Precautions

- 14a) **CAUTION:** If the TV is dropped and the cabinet or enclosure surface has been damaged or the TV does not operate normally, take the following precautions:
  - ALWAYS turn off the TV and unplug the power cord to avoid possible electric shock or fire.
  - NEVER allow your body to come in contact with any broken glass or liquid from the damaged television. The LCD panel inside the TV contains

glass and a toxic liquid. If the liquid comes in contact with your mouth or eyes, or your skin is cut by broken glass, rinse the affected area thoroughly with water and contact your doctor immediately.

- ALWAYS contact a service technician to inspect the TV any time it has been damaged or dropped.

#### 15) CAUTION:

- To reduce the risk of electric shock, do not use the polarized plug with an extension cord, receptacle, or other outlet unless the blades can be inserted completely to prevent blade exposure.
- To prevent electric shock, match wide blade of plug to wide slot; fully insert.

#### 16) CAUTION:

- Do not let children swallow any small parts included on or with the product or play with the plastic bag. Keep the small parts and the plastic bag out of the reach of children.

#### 17) CAUTION:

- Do not let water or other liquids come into contact with the product, as it may result in damage.


#### 18) WARNING:

- To prevent the spread of fire, keep candles or other open flames away from this product at all times.
- Keep the product away from direct sunlight, fire or a heat source such as a heater. This may reduce the product lifetime or result in fire.

## Installation, Care, and Service

### Installation

Follow these recommendations and precautions and heed all warnings when installing your TV:

- 19)  **WARNING: NEVER expose batteries to excessive heat such as sunshine, fire, or the like.**

20) ALWAYS plug the product into an outlet that is located in such a manner that it can be easily unplugged in case the product requires service.

21) NEVER route the product's power cord inside a wall or similar enclosed area.

22) Never modify this equipment. Changes or modifications may void: a) the warranty, and b) the user's authority to operate this equipment under the rules of the Federal Communications Commission.

- 23)  **DANGER: RISK OF SERIOUS PERSONAL INJURY, DEATH, OR EQUIPMENT DAMAGE**

Never place the TV on an unstable cart, stand, or table. The TV may fall, causing serious personal injury, death, or serious damage to the TV.



24) When selecting a location for the TV,

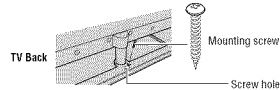
- NEVER allow any part of the TV to hang over the edge of the supporting furniture,
- NEVER place the TV on tall furniture (for example, entertainment centers or bookcases) without anchoring both the furniture and the TV to a suitable support,
- Never place cloth or other material between the TV and the supporting furniture.
- NEVER allow children to climb on the TV.

25) To avoid damage to this product, never place or store the TV in direct sunlight; hot, humid areas; or areas subject to excessive dust or vibration.

26) Always place the TV on the floor or a sturdy, level, stable surface that can support the weight of the unit. Secure the TV using one of the following methods:

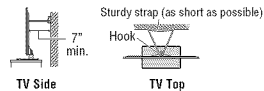
(1) Secure the TV with a mounting screw (Recommended.)

- Place the TV on a sturdy surface that has a sufficient thickness and screw the unit on the surface securely by using the mounting screw and the fall-prevention screw hole.



(2) Secure the TV with a sturdy strap to a wall stud, pillar, or other immovable structure. When connecting the strap:

- attach the strap to the TV using the hooks on the back of the TV, the clips on the pedestal, or the hole in the base of the pedestal as available.
- make sure the strap is tight, secure, and parallel to the floor.



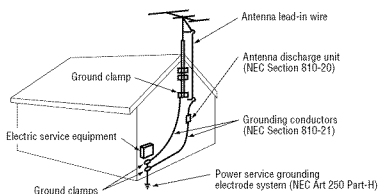
27) The apparatus shall not be exposed to dripping or splashing, and that no objects filled with liquids, such as vases, shall be placed on the apparatus.

28) Never block or cover the slots or openings in the TV cabinet back, bottom, and sides. Never place the TV:

- on a bed, sofa, rug, or similar surface;
- too close to drapes, curtains, or walls; or
- in a confined space such as a bookcase, built-in cabinet, or any other place with poor ventilation.

29) Always leave a space of at least 4 (four) inches around the TV. The slots and openings are provided to protect the TV from overheating and to help maintain reliable operation of the TV.

- 30) Never allow anything to rest on or roll over the power cord, and never place the TV where the power cord is subject to wear or abuse.
- 31) Never overload wall outlets and extension cords.
- 32) Always operate this equipment from a 120V AC, 60 Hz power source.
- 33) Always make sure the antenna system is properly grounded to provide adequate protection against voltage surges and built-up static charges (see Section 810 of the National Electric Code).




34)  **DANGER: RISK OF SERIOUS PERSONAL INJURY OR DEATH!**

- When installing a rooftop antenna, use extreme care to make sure you are never in a position where your body (or any item you are in contact with, such as a ladder or screwdriver) can accidentally touch overhead power lines. Never locate the antenna near overhead power lines or other electrical circuits.
- Never attempt to install any of the following during lightning activity: a) an antenna system; or b) cables, wires, or any home theater component connected to an antenna or phone system.

### Care

For better performance and safer operation of your TOSHIBA TV, follow these recommendations and precautions:



- 35) If you use the TV in a room whose temperature is 32° F (0° C) or below, the picture brightness may vary until the LCD warms up. This is not a sign of malfunction.

36)  **WARNING: RISK OF SERIOUS PERSONAL INJURY OR EQUIPMENT DAMAGE!**

- Never use chemicals (such as air fresheners, cleaning agents, etc.) on or near the TV pedestal. Studies indicate that plastics may weaken and crack over time from the combined effects of chemical agents and mechanical stress (such as the weight of the TV). Failure to follow these instructions could result in serious injury and/or permanent damage to TV and TV pedestal.

- Always unplug the TV before cleaning. Gently wipe the display panel surface (the TV screen) using a dry, soft cloth (cotton, flannel, etc.). A hard cloth may damage the surface of the panel. Avoid contact with alcohol, thinner, benzene, acidic or alkaline solvent cleaners, abrasive cleaners, or chemical cloths, which may damage the surface. Never spray volatile compounds such as insecticide on the cabinet. Such products may damage or discolor the cabinet.

- 37) Never hit, press, or place anything on the back cover. These actions will damage internal parts.


38)  **WARNING: RISK OF ELECTRIC SHOCK!**   
Never spill liquids or push objects of any kind into the TV cabinet slots.

- 39) During a lightning storm, do not touch the connecting cables or product.

- 40) For added protection of your TV from lightning and power surges, always unplug the power cord and disconnect the antenna from the TV if you leave the TV unattended or unused for long periods of time.

- 41) Always unplug the TV to completely disconnect from mains power. When the TV is turned off using the on/off switch, it is not completely disconnected from power and a minute amount of current is still consumed.

- 42) During normal use, the TV may make occasional snapping or popping sounds. This is normal, especially when the unit is being turned on or off. If these sounds become frequent or continuous, unplug the power cord and contact a Toshiba Authorized Service Provider.

43)  **WARNING: RISK OF SERIOUS PERSONAL INJURY OR EQUIPMENT DAMAGE!**

- Never strike the screen with a sharp or heavy object.

- 44) • The LCD screen of this product can be damaged by ultraviolet radiation from the sun. When selecting a location for the television, avoid locations where the screen may be exposed to direct sunlight, such as in front of a window.
- Never touch, press, or place anything on the LCD screen. These actions will damage the LCD screen. If you need to clean the LCD screen follow the instructions (in item 36) on page 5.

## Service

45)



**WARNING:**  
**RISK OF ELECTRIC SHOCK!**



Never attempt to service the TV yourself. Opening and removing the covers may expose you to dangerous voltage or other hazards. Failure to follow this WARNING may result in death or serious injury. Refer all servicing not specified in this manual to a Toshiba Authorized Service Provider.

46) If you have the TV serviced:

- Ask the service technician to use only replacement parts specified by the manufacturer.
- Upon completion of service, ask the service technician to perform routine safety checks to determine that the TV is in safe operating condition.

## Choosing a location for your LED TV

### To Display your LED TV on the included Pedestal Stand:

Observe the following safety precautions:

- 1) Read and follow the pedestal assembly instructions included with the pedestal.  
**CAUTION:** Before beginning pedestal assembly, carefully lay the front of the LCD Panel face down on a flat, cushioned surface such as a quilt or blanket. Leave the bottom of the unit protruding over the edge of the surface and assemble the pedestal as indicated below.  
**Note:** *Extreme care should always be used when attaching the pedestal stand to avoid damage to the LCD panel.*
- 2) Place the TV on a sturdy, level surface that can support the weight of the TV.
- 3) Be sure to secure the TV to a wall, pillar, surface, or other immovable structure see item 26) page 4 for additional details.

### To Display your LED TV using a Wall Bracket:

If you decide to wall mount your LED TV, always use a wall bracket Listed by an independent laboratory (such as UL, CSA, ETL) that is appropriate for the size and weight of the TV (see page 2):

- 1) **CAUTION:** Two people are required for installation.
- 2) Unplug and remove any cables and/or other component connectors from the rear of the TV.
- 3) Remove the screws of the VESA Mounting Pattern show in the table if applicable.  
**CAUTION:** Do not use the screws removed from the back cover to attach the wall mount bracket to the TV.

- 4) Always use the screws supplied or recommended by the wall mount manufacturer.
- 5) Follow the instructions provided with your wall bracket. Before proceeding, make sure the appropriate bracket(s) are attached to the wall and the back of the TV as described in the instructions provided with the wall bracket.
- 6) After attaching the appropriate bracket(s) to the wall and the back of the TV, remove the pedestal stand from the TV, as described below.
- 7) VESA Mounting Pattern

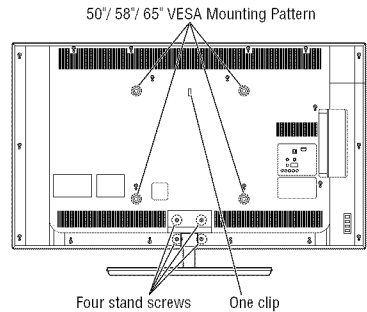
TV Size	Hole Pattern (HxV)	Screw Size
32L4300U	200x200 mm	M6
39L4300U	200x200 mm	M6
50L4300U	400x400 mm	M8
50L7300U	400x200 mm	M6
58L7300U	400x400 mm	M6
65L7300U	400x400 mm	M6

(unit in mm)

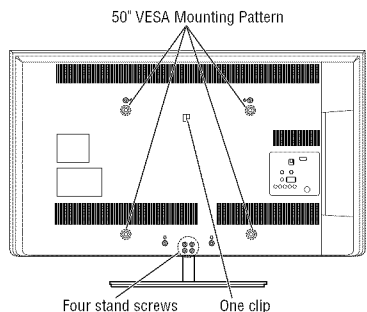
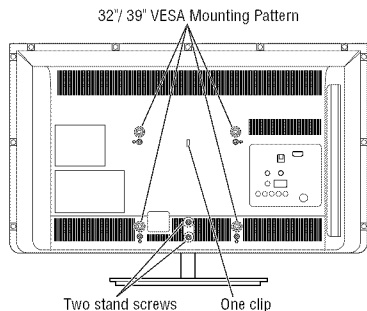
### Removing the Pedestal Stand

- 1) Carefully lay the front of the unit face down on a flat, cushioned surface such as a quilt or blanket. Leave the stand protruding over the edge of the surface.  
**Note:** *Extreme care should always be used when removing the pedestal stand to avoid damage to the LCD panel.*
- 2) Remove the screws shown in the below diagram. This will allow removal of the pedestal stand.
- 3) Once you have removed all of the screws holding the pedestal stand in place, remove the pedestal stand from the TV.

#### L7300 Series



## L4300U and L7300U Series



**CAUTION:** Always place the TV on the floor or a sturdy, level, stable surface that can support the weight of the unit. Secure the TV as described in item 26) of the Important Safety Instructions in this document.

### FCC Caution

To assure continued compliance, follow the attached installation instructions. Any changes or modifications not expressly approved by Toshiba America Information Systems, Inc. could void the user's authority to operate this device. Service Center or an experienced radio/TV technician for help.

## FCC Declaration of Conformity Compliance Statement (Part 15):

Toshiba television models 32L4300U, 39L4300U, 50L4300U, 50L7300U, 58L7300U and 65L7300U, comply with Part 15 of the FCC Rules.

Operation is subject to the following two conditions:

- (1) This device may not cause harmful interference, and
- (2) This device must accept any interference received, including interference that may cause undesired operation.

The party responsible for compliance to these rules is: Toshiba America Information Systems, Inc. 9740 Irvine Blvd., Irvine, CA 92618. Phone: 800-631-3811

**Note:** This equipment has been tested and found to comply with the limits for a Class B digital device, pursuant to Part 15 of the FCC Rules. These limits are designed to provide reasonable protection against harmful interference in a residential installation. This equipment generates, uses, and can radiate radio frequency energy and, if not installed and used in accordance with the instructions, may cause harmful interference to radio communications. However, there is no guarantee that interference will not occur in a particular installation. If this equipment does cause harmful interference to radio or television reception, which can be determined by removing and applying power to the equipment, the user is encouraged to try to correct the interference by one of the following measures:

- Reorient or relocate the receiving antenna.
- Increase the separation between the equipment and receiver.
- Connect the equipment into an outlet on a circuit different from that to which the receiver is connected.
- Consult the dealer or an experienced radio/TV technician for help.

**Caution:** Changes or modifications to this equipment not expressly approved by Toshiba could void the user's authority to operate this equipment.

### Wireless Radio

For product available in the USA/Canada market, only channel 1-11 can be operated. Selection of other channels is not possible. The device could automatically discontinue transmission in case of absence of information to transmit, or operational failure. Note that this is not intended to prohibit transmission of control or signaling information or the use of repetitive codes where required by the technology. If this device is going to be operated in 5.15-5.25GHz frequency range, then it is restricted to an indoor environment only.

**Important:** Any changes or modifications not expressly approved by the party responsible for compliance could void the user's authority to operate this equipment. This device and its antenna(s) must not be co-located or operating in conjunction with any other antenna or transmitter.

**FCC Radiation Exposure Statement:** This equipment complies with FCC radiation exposure limits set forth for an uncontrolled environment. This equipment should be installed and operated with minimum distance 20cm between the radiator & your body.

### Wireless Radio

For product available in the USA/Canada market, only channel 1–11 can be operated. Selection of other channels is not possible.

The device could automatically discontinue transmission in case of absence of information to transmit, or operational failure. Note that this is not intended to prohibit transmission of control or signaling information or the use of repetitive codes where required by the technology.

**Important:** Any changes or modifications not expressly approved by the party responsible for compliance could void the user's authority to operate this equipment.

### IMPORTANT NOTE:

**IC Radiation Exposure Statement:** This equipment complies with IC RSS-102 radiation exposure limits set forth for an uncontrolled environment. This equipment should be installed and operated with minimum distance 20cm between the radiator & your body.

## ENERGY STAR® User Information

ENERGY STAR User Information Statement: the factory default settings of this television meet ENERGY STAR® requirements. Changing Picture Settings may increase energy consumption, possibly beyond the limits required for ENERGY STAR qualification.

To ensure your television is operating at optimal energy efficiency, select [Home] mode during initial activation. To return to [Home] mode settings, select [Home] under the Installation Tab of the TV Menu. [AutoView] mode is recommended for normal home use.



ENERGY STAR® qualified TV. Products that earn the ENERGY STAR prevent green house gas emissions by meeting strict guidelines set by the U.S. Environmental Protection Agency. ENERGY STAR and the ENERGY STAR mark are registered U.S. marks.

## Important notes about your TV

The following symptoms are technical limitations of LCD Display technology and are not an indication of malfunction; therefore, Toshiba is not responsible for perceived issues resulting from these symptoms.

- 1) An afterimage (ghost) may appear on the screen if a fixed, non-moving image appears for a long period of time. The afterimage is not permanent and will disappear in a short period of time.
- 2) The LCD panel contained in this TV is manufactured using an extremely high level of precision technology; however, there may be an occasional pixel (dot of light) that does not operate properly (does not light, remains constantly lit, etc.). This is a structural property of LCD technology, is not a sign of malfunction, and is not covered under your warranty. Such pixels are not visible when the picture is viewed from a normal viewing distance.

**Note:** Interactive video games that involve shooting a "gun" type of joystick at an on-screen target may not work with this TV.

## Trademark Information

- AutoView, Cinema Series, ClearScan, ColorMaster, ColorStream, CQ Engine, DynaLight, GameTimer, Native Mode and TriVector are trademarks or registered trademarks of Toshiba America Information Systems, Inc.
- ActiveX is a registered trademark of the Microsoft Corporation.
- Android is a trademark of Google Inc.



- Manufactured under license from Audyssey Laboratories. U.S. and foreign patents pending. Audyssey Premium Television™ is a trademark of Audyssey Laboratories. Audyssey Premium Television™ is a suite of technologies that remove the acoustical problems caused by small speakers and drivers. Working together these technologies deliver a better translation of the audio content and make the television experience sound closer to the original.

- Blu-ray Disc™, Blu-ray™, and the logos are trademarks of the Blu-ray Disc Association
- CinemaNow is a registered trademark of BBY Solutions, Inc.
- DivX®, DivX Certified®, DivX Plus® HD and associated logos are trademarks of Rovi Corporation or its subsidiaries and are used under license.



- Manufactured under license from Dolby Laboratories. Dolby and the double-D symbol are trademarks of Dolby Laboratories.



- ENERGY STAR and the ENERGY STAR mark are registered U.S. marks.
- The terms HDMI and HDMI High-Definition Multimedia Interface, and the HDMI logo are trademarks or registered trademarks of HDMI Licensing LLC in the United States and other countries.
- Intel and the Intel logo are trademarks of Intel Corporation in the U.S. and/or other countries.
- iTunes Store is a trademark of Apple Inc., registered in the U.S. and other countries.
- MPEG Layer-3 audio coding technology licensed from Fraunhofer IIS and Thomson.
- Netflix is a registered trademark of Netflix, Inc.
- Skype, the Skype logo and the "S" logo are trademarks of Skype and are used with the permission of Skype
- VUDU, Vudu Apps, and Vudu HD Movies are trademarks and registered trademarks of VUDU, Inc
- WiFi is a registered mark of the Wi-Fi Alliance.
- Designed with UEI Technology™. Under License from Universal Electronics Inc. Portions © UEI 2000-2012.
- All other brand and product names are trademarks or registered trademarks of their respective companies.
- THIS PRODUCT IS LICENSED UNDER THE AVC PATENT PORTFOLIO LICENSE FOR THE PERSONAL AND NONCOMMERCIAL USE OF A CONSUMER TO (i) ENCODE VIDEO IN COMPLIANCE WITH THE AVC STANDARD ("AVC VIDEO") AND/OR (ii) DECODE AVC VIDEO THAT WAS ENCODED BY A CONSUMER ENGAGED IN A PERSONAL AND NON-COMMERCIAL ACTIVITY AND/OR WAS OBTAINED FROM A VIDEO PROVIDER LICENSED TO PROVIDE AVC VIDEO. NO LICENSE IS GRANTED OR SHALL BE IMPLIED FOR ANY OTHER USE. ADDITIONAL INFORMATION MAY BE OBTAINED FROM MPEG LA, LLC. SEE [HTTP://WWW.MPEGLA.COM](http://www.mpegla.com)
- THIS PRODUCT IS LICENSED UNDER THE VC-1 PATENT PORTFOLIO LICENSE FOR THE PERSONAL AND NONCOMMERCIAL USE OF A CONSUMER TO (i) ENCODE VIDEO IN COMPLIANCE WITH THE VC-1 STANDARD ("VC-1 VIDEO") AND/OR (ii) DECODE VC-1 VIDEO THAT WAS ENCODED BY A CONSUMER ENGAGED IN A PERSONAL AND NON-COMMERCIAL ACTIVITY AND/OR WAS OBTAINED FROM A VIDEO PROVIDER LICENSED TO PROVIDE VC-1 VIDEO. NO LICENSE IS GRANTED OR SHALL BE IMPLIED FOR ANY OTHER USE. ADDITIONAL INFORMATION MAY

BE OBTAINED FROM MPEG LA, LLC. SEE [HTTP://WWW.MPEGLA.COM](http://www.mpegla.com)

- THIS PRODUCT IS LICENSED UNDER THE MPEG-4 VISUAL PATENT PORTFOLIO LICENSE FOR THE PERSONAL AND NON-COMMERCIAL USE OF A CONSUMER FOR (i) ENCODING VIDEO IN COMPLIANCE WITH THE MPEG-4 VISUAL STANDARD ("MPEG-4 VIDEO") AND/OR (ii) DECODING MPEG-4 VIDEO THAT WAS ENCODED BY A CONSUMER ENGAGED IN A PERSONAL AND NON-COMMERCIAL ACTIVITY AND/OR WAS OBTAINED FROM A VIDEO PROVIDER LICENSED BY MPEG LA TO PROVIDE MPEG-4 VIDEO. NO LICENSE IS GRANTED OR SHALL BE IMPLIED FOR ANY OTHER USE. ADDITIONAL INFORMATION INCLUDING THAT RELATING TO PROMOTIONAL, INTERNAL AND COMMERCIAL USES AND LICENSING MAY BE OBTAINED FROM MPEG powered LA, LLC. SEE [HTTP:// WWW.MPEGLA.COM](http://www.mpegla.com)

## Copyright

This guide is copyrighted by Toshiba America Information Systems, Inc. with all rights reserved. Under the copyright laws, this guide cannot be reproduced in any form without the prior written permission of Toshiba. No patent liability is assumed, however, with respect to the use of the information contained herein.

©2013 by Toshiba America Information Systems, Inc. All rights reserved.

## Notice

The information contained in this manual, including but not limited to any product specifications, is subject to change without notice.

**TOSHIBA CORPORATION AND TOSHIBA AMERICA INFORMATION SYSTEMS, INC. (TOSHIBA) PROVIDES NO WARRANTY WITH REGARD TO THIS MANUAL OR ANY OTHER INFORMATION CONTAINED HEREIN AND HEREBY EXPRESSLY DISCLAIMS ANY IMPLIED WARRANTIES OF MERCHANTABILITY OR FITNESS FOR ANY PARTICULAR PURPOSE WITH REGARD TO ANY OF THE FOREGOING. TOSHIBA ASSUMES NO LIABILITY FOR ANY DAMAGES INCURRED DIRECTLY OR INDIRECTLY FROM ANY TECHNICAL OR TYPOGRAPHICAL ERRORS OR OMISSIONS CONTAINED HEREIN OR FOR DISCREPANCIES BETWEEN THE PRODUCT AND THE MANUAL. IN NO EVENT SHALL TOSHIBA BE LIABLE FOR ANY INCIDENTAL, CONSEQUENTIAL, SPECIAL, OR EXEMPLARY DAMAGES, WHETHER BASED ON TORT, CONTRACT OR OTHERWISE, ARISING OUT OF OR IN CONNECTION WITH THIS MANUAL OR ANY OTHER INFORMATION CONTAINED HEREIN OR THE USE THEREOF.**

# Contents

---

Chapter 1: Introduction .....	18
Safety icons.....	18
Features .....	19
Overview of installation, setup, and use .....	20
TV front and side panel controls and connections.....	21
Front panel .....	22
Left side.....	22
TV back panel controls and connections .....	23
Back panel controls .....	24
Back panel connections .....	25
Chapter 2: Connecting Your TV .....	26
Overview of cable types.....	26
Coaxial cable (F-type) .....	26
Standard A/V cables (red/white/yellow) .....	26
Component video cables (red/green/blue) .....	27
HDMI™ cable (with HDMI Logo).....	27
Dual-wand IR blaster cable.....	27
Optical audio cable .....	28
Analog RGB (15-pin) computer cable.....	28

---

3.5mm Stereo to RCA Y-cable .....	28
LAN cable .....	29
About the connection illustrations .....	29
Connecting an antenna, satellite receiver, and/or cable TV box .....	29
Connecting DVD to ColorStream® or VCR to composite video .....	31
Connecting remote IR devices .....	32
Using the IR blaster OUT terminal .....	32
Connecting a digital audio system .....	35
Connecting an HDMI™ or DVI device to the HDMI™ input .....	36
Using the TV remote and HDMI™ CEC Control to control other devices .....	38
Connecting an HDMI™ audio system .....	39
Connecting a computer .....	40
Connecting a computer to the TV's PC IN terminal .....	40
Connect a computer to the TV's HDMI™ terminal .....	41
Connecting to a home network .....	43
Connecting the TV directly to a computer without an Internet connection .....	43
Connecting the TV to a home network without an Internet connection .....	43
Connecting the TV to a home network with an Internet connection - wired .....	44
Connecting the TV to a home network with an Internet connection - wireless .....	45
Chapter 3: Using the Remote Control .....	47
Controlling other devices .....	47
Installing batteries .....	47
Remote control effective range .....	49
Learning about the remote control .....	50

Chapter 4: Initial Setup and Menu .....	52
Initial setup .....	52
Performing the initial setup .....	53
Navigating the menu system .....	62
Quick Menu .....	63
Chapter 5: Setting up your TV .....	64
How to navigate the menu.....	64
Changing initial settings .....	64
Individual settings .....	64
Storing channels in memory (optional) .....	66
Skipping channels .....	67
Skipping video inputs .....	68
Labeling analog TV channels .....	68
Labeling video inputs.....	69
Configuring shared input.....	69
Chapter 6: Basic features.....	70
Tuning Channels.....	70
Tuning to the next programmed channel .....	70
Tuning to a specific channel (programmed or unprogrammed).....	70
Using Channel Return.....	70
Selecting the video input to view .....	71
Using closed captions .....	72
Analog CC mode.....	72
Digital CC settings .....	73
Setting the PIN code.....	74
Entering a new PIN code .....	75
Changing or deleting your PIN code .....	75
Forgotten PIN code.....	75
Using parental controls .....	76
Blocking TV programs and movies by rating (V-Chip) .....	76
Downloading an additional rating system .....	76

---

Displaying ratings .....	79
Unlocking programs .....	79
Locking specific channels .....	79
Locking video inputs .....	80
Setting a time limit for games.....	80
Locking the control panel .....	81
Using HDMI™ CEC Control.....	81
Controlling HDMI™ CEC playback devices .....	82
HDMI™ CEC Control input source selection.....	83
Adjusting the amplifier's audio .....	83
Other HDMI™ CEC Control functions.....	84
Viewing the HDMI™ signal information .....	84
Using your computer with the TV.....	85
Adjusting the image.....	85
Setting the computer audio .....	86
Setting the timer to turn on the TV.....	86
Setting the sleep timer .....	87
Setting No Signal Power Down .....	88
Setting TV Power On Control .....	89
Displaying TV status information .....	89
Viewing support information .....	90
Resetting to Factory Defaults .....	90
Power failure .....	90
<b>Chapter 7: Picture and Sound Controls .....</b>	<b>91</b>
Selecting the picture size.....	91
Scrolling the picture .....	95
Using the Auto Aspect feature.....	96
Using the 4:3 Stretch .....	96
Adjusting the picture .....	97
Selecting the picture mode .....	97
Adjusting the picture quality .....	98
Using the advanced picture settings features.....	99
Edge Enhancer.....	99
Dynamic Contrast.....	99
DynaLight® .....	100

---

ClearScan® .....	100
Cinema Mode (L4300U Series).....	100
MPEG NR .....	101
UltraClear DNR .....	101
Ambient Light Sensor .....	102
ColorMaster™ .....	102
Base Color Adjustment .....	102
Color temperature.....	103
Resetting advanced picture settings to the factory default .....	103
Setting the expert picture settings.....	103
Test Pattern .....	103
RGB Filter .....	104
White Balance.....	104
Adjusting the audio .....	105
Muting the sound .....	105
Selecting stereo/SAP broadcasts.....	105
Adjusting the audio balance.....	106
Adjusting the range .....	106
TV Speakers On/Off .....	106
Setting the Primary Audio Language .....	106
Selecting the optical audio output format .....	107
Using the Dolby® Digital Dynamic Range Control feature .....	108
Audyssey Premium Television™ .....	108
Using Audyssey EQ® for Wall Mounted or Table-top TVs.....	109
Using Audyssey Dynamic Volume ® .....	109
Audyssey ABX™ .....	109
Using the surround sound feature .....	110

---

Chapter 8: Advanced features .....	111
Using your home network .....	111
When using a Wireless network connection .....	112
Setting up the Network .....	113
Wireless Setup .....	113
Advanced Network Setup .....	118
Network Connection Test .....	120
Using the software keyboard .....	121
Enter text using the software keyboard .....	122
Performing a Software Upgrade .....	123
Viewing the Software Licenses .....	123
Using Intel® WiDi .....	124
Changing the Intel® WiDi Device Name .....	125
Device List .....	125
Using the Cloud TV Service .....	126
Using the Cloud TV Service features .....	126
eMANUAL .....	127
Featured apps .....	127
Netflix® .....	127
VUDU™ HD Movies and VUDU™ Apps .....	128
Internet .....	129
Using Skype™ .....	131
MediaShare (Videos, Music, and Photos) .....	141
MediaShare specifications .....	142
Basic operation .....	142
Viewing movie files .....	145
Playing music files .....	149
Viewing photo files .....	151
Search .....	154
Network Device Setup .....	155
External Control Setup .....	155
Setting up the Media Renderer feature .....	156

---

Chapter 9: Cloud TV Companion Apps .....	157
Using Apps on a Tablet or Smart phone .....	157
Apps Control Profile .....	158
Pairing .....	159
Chapter 10: Troubleshooting .....	160
General troubleshooting .....	160
Picture problems .....	161
Sound problems .....	162
Remote control problems .....	163
Channel tuning problems .....	163
Closed caption problems .....	164
Rating blocking (V-Chip) problems .....	164
HDMI™ CEC Control operation .....	164
HDMI™ problems .....	165
Network problems .....	165
Wireless network problems .....	167
MediaShare problems .....	167
Light Indicator .....	168
Power On/Standby light .....	168
If the problem persists after trying the solutions .....	168
Appendix A: Specifications .....	169
Television system .....	169
Channel coverage .....	169
Power source .....	170
Power consumption .....	170
Audio power .....	170
Speaker type .....	171
Video/audio terminals .....	171
Video/audio input .....	171
ColorStream® (component video) HD input .....	171
HDMI™ input .....	171
Digital audio output .....	172
PC input .....	172



---

Wireless connection .....	172
Ethernet .....	172
USB .....	172
Dimensions with table stand .....	173
Weight (mass) with stand .....	173
Operating conditions .....	173
Supplied accessories.....	174
Acceptable signal formats for PC IN and HDMI™ .....	175
PC IN signal formats.....	175
HDMI™ signal formats.....	176
Operating the TV with combination buttons .....	177
Appendix B: Wireless QWERTY keyboard with touchpad ....	178
International Key.....	181
Index.....	182

# Chapter 1

## Introduction

---

### Safety icons

This manual contains safety instructions that must be observed to avoid potential hazards that could result in personal injuries, damage to your equipment, or loss of data. These safety cautions have been classified according to the seriousness of the risk, and icons highlight these instructions as follows:

---

**▲ DANGER** Indicates an imminently hazardous situation which, if not avoided, will result in death or serious injury.

---

---

**▲ WARNING** Indicates a potentially hazardous situation which, if not avoided, could result in death or serious injury.

---

---

**▲ CAUTION** Indicates a potentially hazardous situation which, if not avoided, may result in minor or moderate injury.

---

---

**CAUTION** Indicates a potentially hazardous situation which, if not avoided, may result in property damage.

---

---

**NOTE** Provides important information.

---

## Features

- ❖ **Integrated digital tuning (8VSB ATSC and QAM)** — Eliminates the need for a separate digital converter set-top box (in most cases).
- ❖ **1920 x 1080 display resolution.**
- ❖ **Four HDMI™**—Digital, High-Definition Multimedia Interfaces with 1080p input support
- ❖ **HDMI™ capabilities ARC (Audio Return Channel)**—Enables the audio signal of the TV to be sent to an AV amplifier via an HDMI™ cable.
- ❖ **HDMI™ CEC Control**—Allows control of external devices from the TV remote via HDMI™ connection
- ❖ **ColorStream® HD**—High-resolution component video input.
- ❖ **Digital Audio Out**—Optical audio connection with Dolby® Digital optical output format, see “Connecting a digital audio system” on page 35.
- ❖ **CQ Engine™**—A powerful video processing engine with an array of advanced technology including Edge Enhancement, Dynamic Gamma, ColorMaster, Expert Mode and new UltraClear DNR that creates superior picture quality.
- ❖ **UltraClear DNR**—The new Dynamic Noise Reduction technology that filters out video noise without decreasing picture sharpness for clean, crystal-clear images, see “DNR” on page 101.
- ❖ **PC IN (Analog RGB)**—Computer Input terminal, see “Connecting a computer” on page 40.
- ❖ **IR Blaster Out**— Controls infrared remote controlled devices from the TV.
- ❖ **Built-in WLAN**—Allows the television to access your home wireless network.
- ❖ **Intel® WiDi**—Allows direct wireless connection between the TV and Intel® WiDi equipped computers or mobile devices
- ❖ **ColorMaster™**—Allows you to adjust the TV’s standard colors, see “ColorMaster™” on page 102.
- ❖ **ClearScan® 120Hz**—Technology utilizes advanced backlight control with image synchronization to double the television refresh rate for clearer fast motion video. This technology is ideal for watching action movies, sports and video games. (For L4300U)

- ❖ **ClearScan® 240Hz**—Technology uses both frame interpolation technology and advanced backlight control with image synchronization to quadruple the TV refresh rate for an even clearer fast motion video.
- ❖ **AutoView®**—Allows you to automatically adjust picture settings including Brightness, Contrast, Gamma, and Sharpness based on ambient room light conditions and incoming picture content to create the best possible picture settings without any manual adjustment. See “ENERGY STAR® User Information” on page 8.
- ❖ **Audyssey Premium Television®** — includes innovative audio enhancement technologies that create clear, rich, and natural sound. These technologies include EQ®, ABX™, Dynamic Volume®, Volume Extension™, and Day/Night and Wall/Table Modes. see “Audyssey Premium Television™” on page 108.
- ❖ **MediaShare**—Allows you to view photo files and play music or movie files, see “MediaShare (Videos, Music, and Photos)” on page 141.
- ❖ **Cloud TV**—Enhanced content discovery includes real time streaming news, true social interaction features, and mobile device interaction.
- ❖ **ENERGY STAR® qualified**



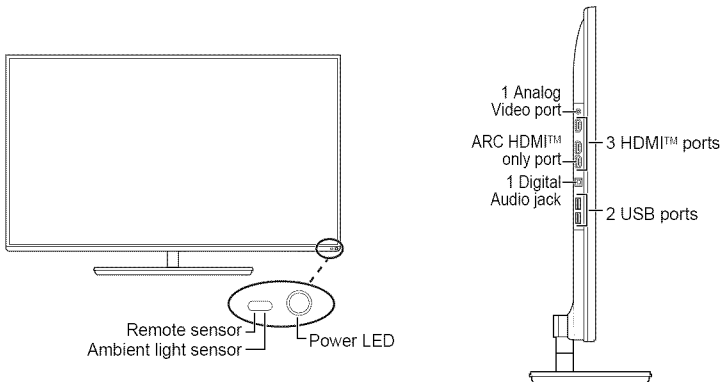
## Overview of installation, setup, and use

Follow these steps to set up your TV and begin using its many exciting features.

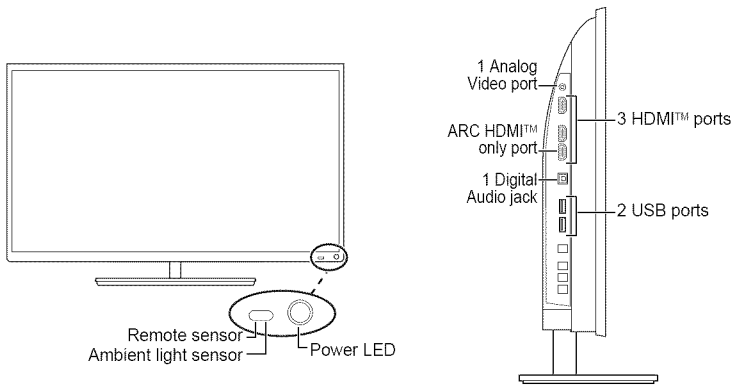
- 1 Carefully read the important safety, installation, care, and service information. Keep this manual for future reference.
- 2 To choose a location for the TV:
  - ❖ Read “Important notes about your TV” on page 8.
  - ❖ Place the TV on the floor or a sturdy, level, stable surface that can support the weight of the unit. Secure the TV to a wall, pillar, or other immovable structure, see 24) on page 4.
  - ❖ Place the TV in a location where light does not reflect on the screen.
  - ❖ Place the TV far enough from walls and other objects to allow proper ventilation. Inadequate ventilation may cause overheating, which will damage the TV. THIS TYPE OF DAMAGE IS NOT COVERED UNDER THE TOSHIBA WARRANTY.

*TV front and side panel controls and connections*

- 3 Do not plug in any power cords until after you have connected all cables and devices to your TV.
- 4 Before connecting cables or devices to the TV, review the functions of the TV's connections and controls, see "Overview of cable types" on page 26.
- 5 Connect your other electronic device(s) to the TV, see "Connecting Your TV" on page 26.
- 6 Install the batteries in the remote control, see "Installing batteries" on page 47.
- 7 See "Using the Remote Control" on page 47 for an overview of the buttons on the remote control.
- 8 After connecting all cables and devices, plug in the power cords for your TV and other devices. Then press the **POWER** button on the TV control panel or remote control to turn on the TV.  
*NOTE: If the TV stops responding to the buttons on the remote control or TV control panel and you cannot turn the TV off or on, unplug the power cords for a few seconds and then plug them in and try again.*
- 9 See "Navigating the menu system" on page 62 for a quick overview of navigating the TV's menu system.
- 10 Program channels into the TV's channel memory, see "Auto Tuning" on page 66.
- 11 For details on using the TV's features, see chapters 6, 7, and 8.
- 12 For help, refer to "Troubleshooting" on page 160.
- 13 For technical specifications, see "Specifications" on page 169.

**TV front and side panel controls and connections**

*(Sample Illustration) L7300U Series front and side panel controls and connections*



*(Sample Illustration) L4300U Series front and side panel controls and connections*

## Front panel

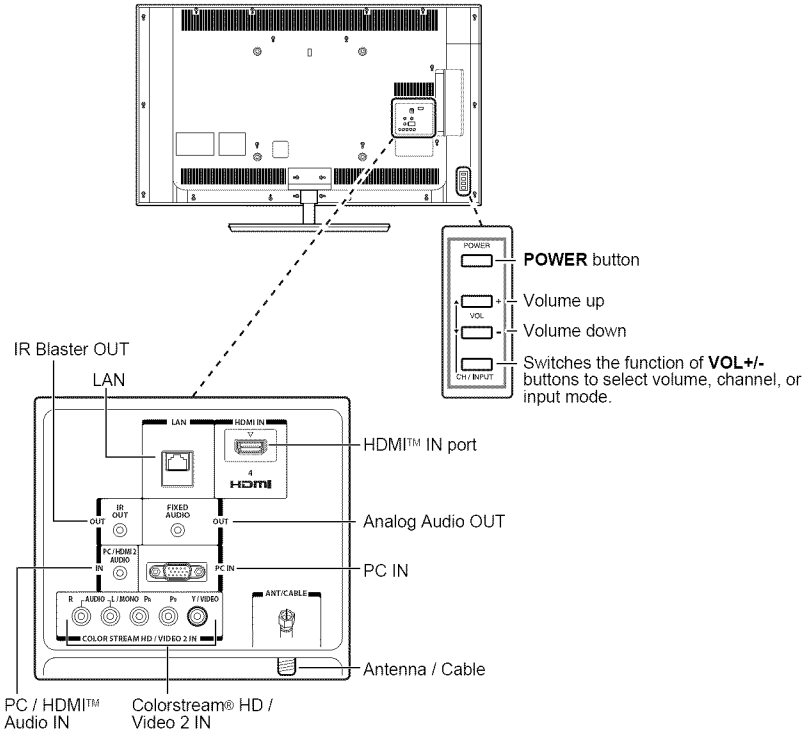
- 1 **Power On/Standby LED**—Power indicator light, (glows green when the TV power is On).
- 2 **Ambient light sensor**—This sensor detects the ambient light conditions to optimize the backlighting levels, see “Ambient Light Sensor” on page 102.
- 3 **Remote Sensor**—Point the remote control toward this remote sensor, see “Remote control effective range” on page 49.

## Left side

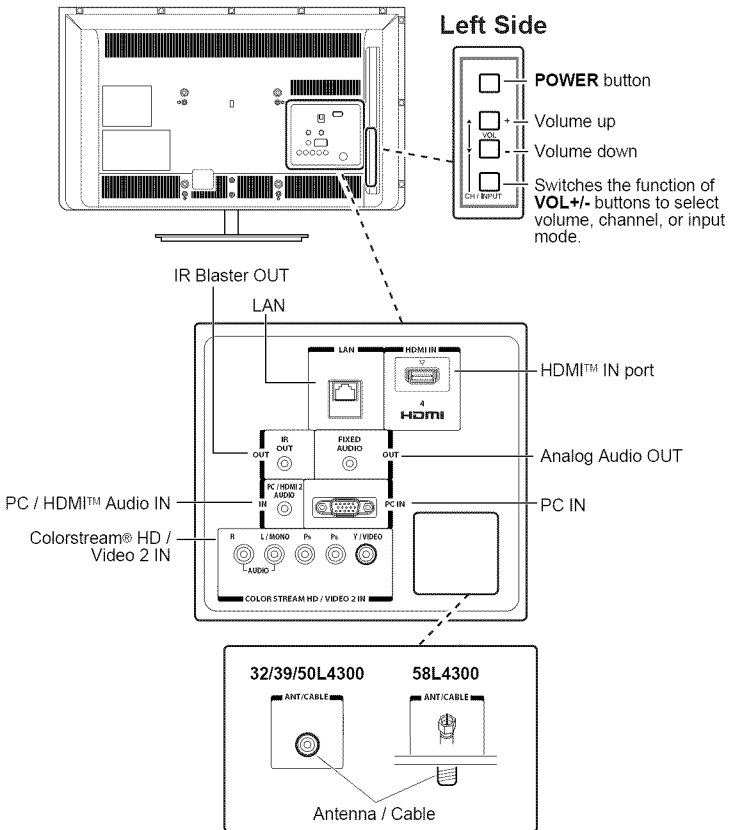
- 4 **Analog Video Port**—Analog Video input. Connect using a commercially available conversion cable.
- 5 **3 HDMI™ Ports**—High-Definition Multimedia Interface input receives digital audio and uncompressed digital video from an HDMI™ device or uncompressed digital video from a DVI device. HDMI™ connection is necessary to receive 1080p signals.
- 6 **ARC HDMI™ only port**—Audio Return Channel (ARC) enables the audio signal of the TV to be sent to an AV amplifier via the HDMI cable.
- 7 **Digital Audio Jack**—Optical audio output in Dolby® Digital or PCM (pulse-code modulation) format for connecting an external Dolby® Digital decoder, amplifier, A/V receiver, or home theater system with optical audio input.
- 8 **2 USB Ports**—Used to access video, music, or photo files with USB device. Works with wireless keyboard (but only included with L7300).

# TV back panel controls and connections

For explanations of cable types and connections, see “Connecting Your TV” on page 26.



*(Sample Illustration) L7300U Series back panel controls and connections*



*(Sample Illustration) L4300U Series back panel controls and connections*

## Back panel controls

- 1 **POWER**—Turns the TV On and Off.
- 2 **VOL +/-** —Adjust the volume level, change the channel, or change the input or source you are viewing, depending on the mode, which is selected by the **CH/INPUT** button.
- 3 **CH / INPUT**— Switches the function of the **VOL +/-** buttons to select the volume, channel, or input mode.
  - ❖ In Volume mode, the arrow buttons increase or decrease the volume.
  - ❖ In Channel mode, the arrow buttons change the channel up or down.



**Back panel connections**

- 4 **LAN**—Connects the TV to your home network.
- 5 **HDMI™ IN**—High-Definition Multimedia Interface input receives digital audio and uncompressed digital video from an HDMI™ device or uncompressed digital video from a DVI device. HDMI™ connection is necessary to receive 1080p signals.
- 6 **Analog Audio Port**—Analog audio outputs for connecting an audio amplifier.
- 7 **PC IN**—For use when connecting a personal computer.
- 8 **ANT/CABLE**—Antenna input that supports analog (NTSC) and digital (ATSC) off-air antenna signals and analog and in the clear, unencrypted digital Cable TV (QAM) signals.
- 9 **ColorStream® HD/ Video 2 IN**—These include standard A/V connections, see “Connecting DVD to ColorStream® or VCR to composite video” on page 31.
- 10 **PC/HDMI™ Audio IN**—PC audio input terminals are shared with HDMI™-2 analog audio input terminals, and their use can be configured in the Configuring shared inputs menu, see “Configuring shared inputs” on page 69.
- 11 **IR Blaster OUT**—Used to connect and control infrared remote-controlled devices.

---

**NOTE** Component/Standard (composite) video cables carry only video information; separate audio cables are required.

---

# Chapter 2

## Connecting Your TV

---

### Overview of cable types

Before purchasing cables, know the connector types your devices require. You can purchase cables from most stores that sell audio/video devices.

#### Coaxial cable (F-type)



*(Sample Illustration) Coaxial cable*

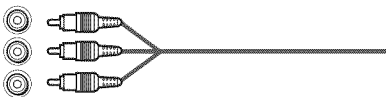
Coaxial (F-type) cable connects your antenna, cable TV service, and/or cable converter box to the ANT/CABLE input on your TV.

---

**NOTE** Please tighten this connection by hand. Using tools may damage the connection.

---

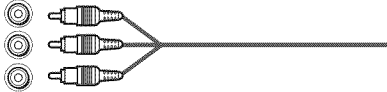
#### Standard A/V cables (red/white/yellow)



*(Sample Illustration) Standard A/V cables*

Standard A/V cables (composite video) usually come in sets of three, and connect to video devices with analog audio and composite video output. These cables (and the related inputs on your TV) are typically color-coded according to use: yellow for video, red for stereo right audio, and white for stereo left (or mono) audio.

### Component video cables (red/green/blue)



*(Sample Illustration) Component video cables*

Component video cables come in sets of three and are for use with video devices with component video output. (ColorStream<sup>®</sup> is Toshiba's brand of component video.) These cables are typically color-coded red, green, and blue. Separate audio cables are required for a complete connection.

---

**NOTE** Component video cables provide better picture quality than composite video cables.

---

### HDMI<sup>™</sup> cable (with HDMI Logo)



*(Sample Illustration) HDMI<sup>™</sup> cable*

HDMI<sup>™</sup> (High-Definition Multimedia Interface) cable connects to devices that have an HDMI<sup>™</sup> output. An HDMI<sup>™</sup> cable delivers digital audio and video in its native format. Separate audio cables are not required, see “Connect a computer to the TV’s HDMI<sup>™</sup> terminal” on page 41.

---

**NOTE** HDMI<sup>™</sup> cables provide the best audio and picture quality.

---

### Dual-wand IR blaster cable

Connect the dual-wand IR blaster cable to the IR blaster terminal to control infrared remote controlled devices from the TV.

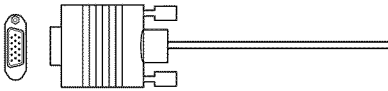
## Optical audio cable



*(Sample Illustration) Optical audio cable*

Optical audio cable connects receivers with Dolby<sup>®</sup> Digital or PCM (pulse-code modulation) optical audio input to the TV's Digital Audio Out terminal, see "Connecting a digital audio system" on page 35.

## Analog RGB (15-pin) computer cable



*(Sample Illustration) Analog RGB (15-pin) computer cable*

Analog RGB (15-pin) computer cable connects a computer to the TV's **PC IN** terminal, see "Connecting a computer to the TV's PC IN terminal:" on page 40.

---

**NOTE** Separate audio cables are required.

---

## 3.5mm Stereo to RCA Y-cable



*(Sample Illustration) 3.5mm Stereo to RCA Y-cable*

3.5mm Stereo to RCA Y-cable connects an audio signal from DVI device to TV.

LAN cable



(Sample Illustration) LAN cable

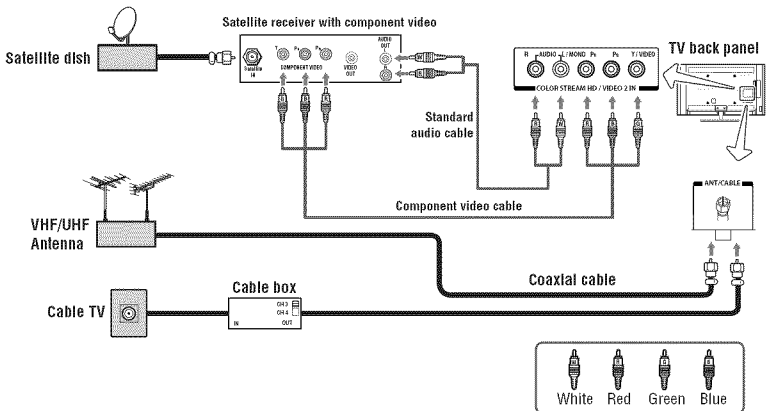
Standard LAN cable connects the TV to your home network, see “Connecting the TV to a home network with an Internet connection - wired” on page 44.

Crossover LAN cable connects the TV directly to a computer, see “Connecting the TV directly to a computer without an Internet connection” on page 43.

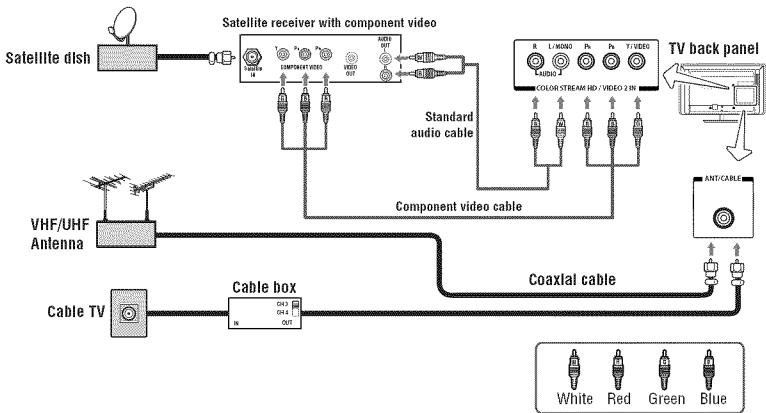
About the connection illustrations

You can connect different types and brands of devices to your TV in several different configurations. The connection illustrations in this manual are representative of typical device connections only. The input/output terminals on your devices may differ from those illustrated. For details on connecting and using your specific devices, refer to each device’s owner’s manual.

Connecting an antenna, satellite receiver, and/or cable TV box



(Sample Illustration) L7300U Series—Connecting to an antenna, satellite receiver, and/or cable TV box



*(Sample Illustration) L4300U Series—Connecting to an antenna, satellite receiver, and/or cable TV box*

#### Items needed:

- ❖ Coaxial cables
- ❖ Standard AV cables
- ❖ Component video cables (red/green/blue)

**NOTE** When you use a cable box, you may not be able to use the remote control to program or access certain features on the TV.

#### To view the antenna or cable signal:

Select ANT/CABLE video input source on the TV.\*

#### To view basic and premium cable channels:

Select the ANT/CABLE video input source on the TV.\* Tune the TV to channel 3 or 4 (whichever channel the cable box output is set to). Use the cable box controls to change channels.

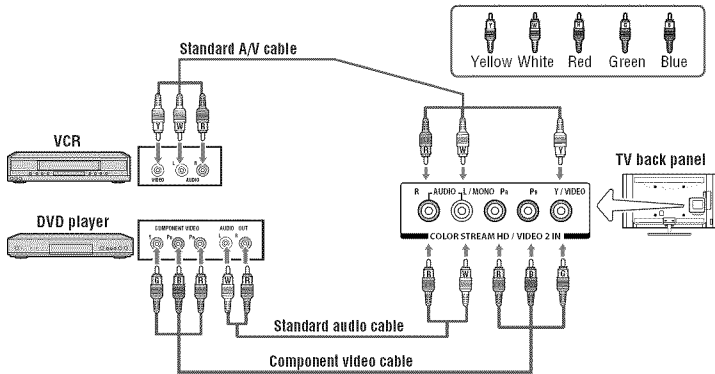
#### To view the VCR or camcorder video:

Turn On the VCR or camcorder video. Select VIDEO input source on the TV.\*

\*To select the video input source, press the **INPUT** button on the remote control, see “Selecting the video input to view” on page 71.

**NOTE** The unauthorized recording, use, distribution, or revision of television programs, videotapes, DVDs, and other materials is prohibited under the Copyright Laws of the United States and other countries, and may subject you to civil and criminal liability.

## Connecting DVD to ColorStream® or VCR to composite video



*(Sample Illustration) L7300U Series—Connecting a DVD with ColorStream® or a VCR with composite video*

### Items needed:

- ❖ Coaxial cables
- ❖ Standard AV cables
- ❖ Standard audio cables
- ❖ Composite or component video cables
- ❖ You can connect the component video cables (plus audio cables) from the DVD player or satellite receiver to the **COLOR STREAM HD** terminal in the TV. The **COLOR STREAM HD** terminal can be used to display Progressive (480p, 720p, 1080p) and Interlaced (480i, 1080i) scan systems. If your DVD player or satellite receiver does not have component video, connect a standard A/V cable to the **AUDIO/VIDEO** terminal. If your DVD player has HDMI™ video, see “Connecting an HDMI™ or DVI device to the HDMI™ input” on page 36.

**NOTE** When you use ColorStream® HD or Video, please switch to the appropriate AV mode.

---

**To view antenna or Cable channels:**

Select the ANT/CABLE video input source on the TV.\*

**To view the DVD player:**

Turn ON the DVD player. Select the ColorStream® HD video input source on the TV.\*

**To view satellite programs using the component video connections:**

Turn ON the satellite receiver. Select the ColorStream® HD video input source on the TV.\*

**To view the VCR or view and record antenna channels:**

Turn ON the VCR. Tune the VCR to the channel you want to watch. Select the VIDEO video input source on the TV.\*

**To record a TV program while watching a DVD:**

Turn ON the VCR. Tune the VCR to the channel to record. Select the ColorStream® HD video input source on the TV\* to view the DVD.

\*To select the video input source, press the **INPUT** button on the remote control, see “Selecting the video input to view” on page 71.

---

**NOTE** The unauthorized recording, use, distribution, or revision of television programs, videotapes, DVDs, and other materials is prohibited under the Copyright Laws of the United States and other countries, and may subject you to civil and criminal liability.

---

## Connecting remote IR devices

### Using the IR blaster OUT terminal

You can use the TV’s IR OUT terminal to remotely operate many infrared remote-controlled devices enclosed in an entertainment center or similar cabinet.

**Items needed:**

- ❖ Dual-wand IR blaster cable (see “Dual-wand IR blaster cable” on page 27)
- ❖ Other cables as required to connect the device(s) to the TV (see “Overview of cable types” on page 26)

See the remote IR blaster setup section (see page 58).



**To connect the IR blaster cable:**

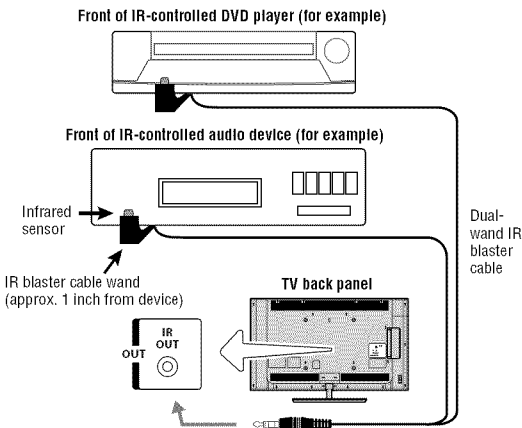
- 1 Locate the infrared sensor on the front of your device. This sensor is marked on some devices. If you are having issues locating the device's infrared sensor, see "If you cannot locate the device's infrared sensor:" on page 34.
- 2 Align one of the IR blaster cable's wands approximately 1 inch away from the infrared sensor on the front of the device and attach it using double-sided mounting tape. If you have a second device, attach the second wand in a similar manner.

---

**NOTE** If you do not have a second device, coil the second wand with a rubber band and leave it behind the TV.

---

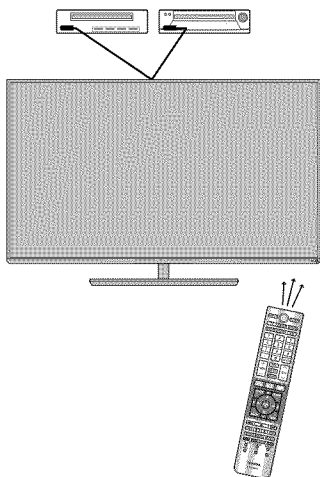
- 3 Plug the IR blaster cable's plug into the TV's IR Blaster Out terminal.



*(Sample Illustration) L7300U Series—Using the IR blaster OUT terminal*

**To control the device(s):**

Point the TV remote control toward the front of the TV and press the button for the desired function. The signal passes from the remote control through the TV to the device via the IR Blaster cable. For more information, see “Setting the IR Blaster” on page 58.



*(Sample Illustration) Controlling the device(s) - remote control*

---

**NOTE** The IR pass-through feature does not support all IR controlled devices. Satisfactory quality may not be attainable with certain devices.

---

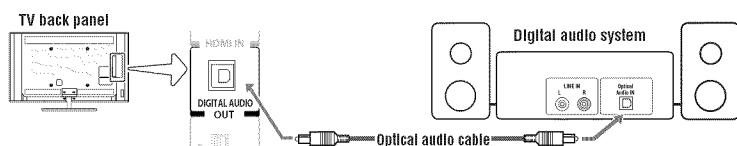
**If you cannot locate the device's infrared sensor:**

- 1 Turn off the device.
- 2 Starting at the device's lower-left corner, place the end of the device's remote control (with the infrared emitter) so it touches the front of the device. Press the **POWER** button. (Do not use the TV's remote control for this step.)
- 3 If the device turns on, the sensor is located where the remote control touched the device.
- 4 If the device does not turn on, move the remote control slightly to the right and press the **POWER** button again.
- 5 Repeat the previous steps if necessary.

## Connecting a digital audio system

The TV's Digital Audio Out terminal outputs a Dolby® Digital or 2-channel down-mixed PCM (pulse-code modulation) signal for using with an external Dolby® Digital decoder or other external audio systems with optical audio input.

You will need an Optical audio cable (Use an optical audio cable that has the larger “TosLink” connector and not the smaller “mini-optical” connector.)



*(Sample Illustration) L7300U Series—Connecting a digital audio system*

Before controlling the audio, see “Selecting the optical audio output format” on page 107.

**NOTE** Some audio systems may not be compatible with Dolby Digital bitstream signals. Older audio systems that are not compatible with standard optical out signals may not work properly, creating a high noise level that may damage speakers or headphones. THIS DAMAGE IS NOT COVERED BY YOUR WARRANTY. The DIGITAL AUDIO OUT terminal may not output some digital audio sources because of copy restrictions.

- ❖ The Dolby Digital format is available in the following situations:
  - When tuned to a digital RF channel
  - When an HDMI input is used
  - When network devices are used

## Connecting an HDMI™ or DVI™ device to the HDMI™ input

The HDMI™ input on your TV receives digital audio and uncompressed digital video from an HDMI™ source device, or uncompressed digital video from a DVI (Digital Visual Interface) source device.

This input is designed to accept HDCP (High-Bandwidth Digital-Content Protection) program material in digital form from EIA/CEA-861-D-compliant[1] consumer electronic devices (such as a set-top box or DVD player with HDMI™ or DVI™ output).

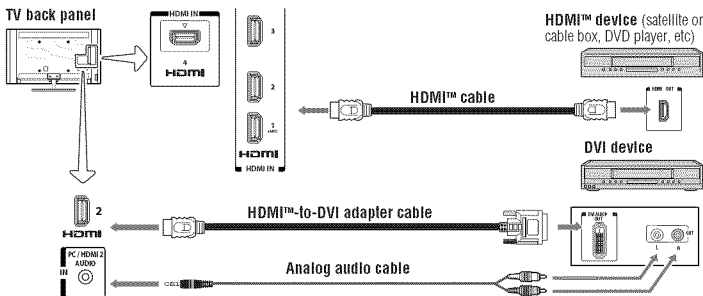
The HDMI™ input can accept and display VGA, SVGA, XGA, WXGA, SXGA, 480i (60Hz), 480p (60Hz), 720p (60Hz), 1080i (60Hz), and 1080p (24Hz/30Hz/60Hz) signal formats. For detailed signal specifications, see “HDMI™ signal formats” on page 176.

The supported Audio formats are Linear PCM and Dolby® Digital, sampling rate 32/44.1/ 48 kHz.

**NOTE** To connect a PC to the HDMI™ input, see “Connect a computer to the TV’s HDMI™ terminal” on page 41.

To connect an HDMI™ device, you will need one HDMI™ cable (type A connector) per HDMI™ device:

- ❖ For proper operation, it is recommended that you use an HDMI™ cable with the HDMI™ Logo (**HDMI**).
- ❖ To display an 1080ip/60Hz signal format, you will need a High Speed HDMI™ cable. A conventional HDMI™/DVI cable may not work properly.
- ❖ HDMI™ cables transfer both video and audio. Separate analog audio cables are not required (see illustration).



*(Sample Illustration) L7300U Series—Connecting an HDMI™ or DVI™ device to the HDMI™ Input*

**To view the HDMI™ device video:**

Select **HDMI 1**, **HDMI 2**, **HDMI 3** or **HDMI 4** video input source on the TV. (Press the **INPUT** button on the remote control. For more information, see “Selecting the video input to view” on page 71.

**To connect a DVI device, you will need:**

- ❖ **HDMI™ to DVI adapter cable**  
For proper operation, the length of an HDMI™ to DVI adapter cable should not exceed 9.8 ft (3m). The recommended length is 6.6 ft (2m).
- ❖ **3.5mm Stereo to RCA Y-cable**  
An HDMI™ to DVI adapter cable transfers video only. Separate analog audio cables are required (see illustration).

---

**NOTE**

To ensure that the HDMI™ or DVI device is reset properly:

- ❖ When turning on your electronic components, turn on the TV first, and then the HDMI™ or DVI device.
  - ❖ When turning off your electronic components, turn off the HDMI™ or DVI device first, and then the TV.
- 

---

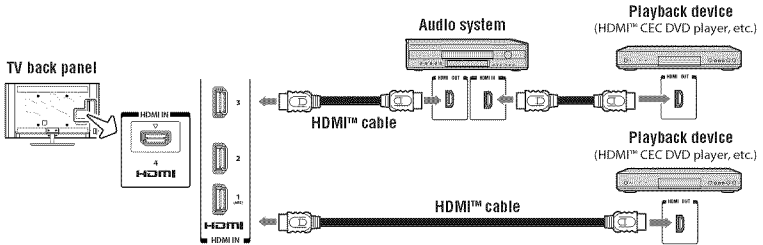
**NOTE**

[1] EIA/CEA-861-D compliance covers the transmission of uncompressed digital video with high-bandwidth digital content protection, which is being standardized for reception of high definition video signals. Because this is an evolving technology, it is possible that some devices may not operate properly with the TV.

---

## Using the TV remote and HDMI™ CEC Control to control other devices

To control the basic functions of connected audio/video devices using the TV's remote control, connect an HDMI™ CEC compatible audio system or playback device. The HDMI™ CEC Control feature uses CEC technology as regulated by the HDMI™ standard.



*(Sample Illustration) L7300U Series—Connecting an HDMI™ CEC compatible audio system and playback device*

To connect an audio system and playback devices, you will need HDMI™ cables, see “HDMI™ cable (with HDMI Logo)” on page 27.

- 
- NOTE**
- ❖ If several devices are connected, HDMI™ CEC Control feature may not operate properly, see “HDMI™ CEC Control input source selection” on page 83.  
For proper operation, it is recommended that you use HDMI™ cables with the HDMI™ Logo (**HDMI**).
  - ❖ HDMI™ CEC devices can be controlled by TV remote only when it is the TV mode.
- 

Before controlling the devices:

- ❖ For an explanation of setup and operations, see “Other HDMI™ CEC Control functions” on page 84.
- ❖ Configure the connected devices. See each device’s operation manual.

- 
- NOTE** This feature is limited to models incorporating HDMI™ CEC Control feature. However, Toshiba is not liable for those operations. See the individual instruction manuals for compatibility information.
-

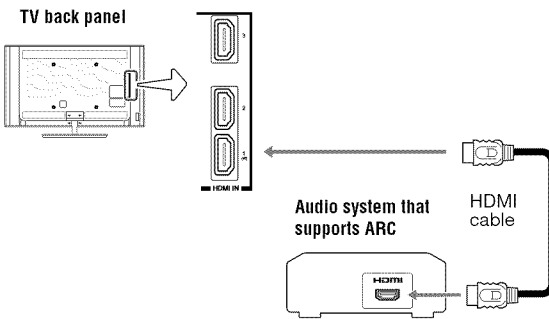
When using an external AV amplifier the picture and sound may not be properly synchronized. In this case, adjust the delay time of the sound on the AV amplifier.

**NOTE** The control range of the delay time differs according to the device you use.

## Connecting an HDMI™ audio system

If your HDMI™ audio system supports ARC, audio from the TV can be sent to the audio system via an existing HDMI™ cable.

You will need an HDMI™ cable.



*(Sample Illustration) /L7300U Series— Connecting to HDMI™ ARC*

### HDMI™'s ARC (Audio Return Channel) feature

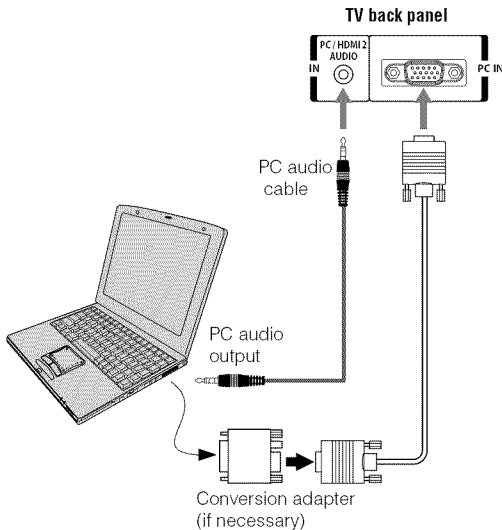
This feature enables the audio signal of the TV to be sent to an audio system via the HDMI™ cable. It will not be necessary to connect a cable from the audio output of the TV to the audio input of the audio system to reproduce the audio received from the tuner of the TV through the audio system.

## Connecting a computer

With either the PC IN or HDMI™ connection, you can view your computer's display on the TV and hear the sound from the TV's speakers.

### Connecting a computer to the TV's PC IN terminal

When connecting a computer to the PC IN terminal on the TV, use an analog RGB (15-pin) computer cable and a PC audio cable. For more information, see "Overview of cable types" on page 26.



*(Sample Illustration) L7300U Series—Connecting to a computer through analog RGB cable*

To use a computer, set the monitor output resolution on the computer before connecting it to the TV. The supported signal formats are VGA, SVGA, XGA, WXGA and SXGA. For detailed signal specifications, see "Acceptable signal formats for PC IN and HDMI™" on page 175.

Other formats or non-standard signals will not be displayed correctly.

To display the optimum picture, use the computer setting feature, see "Using your computer with the TV" on page 85.



- NOTE**
- ❖ The PC audio input terminal on the TV is shared with the HDMI 2 terminal. For configuration information, see “Setting the computer audio” on page 86.
  - ❖ Some computer models cannot be connected to this TV.
  - ❖ If the computer has a compatible mini D-sub15-pin terminal, an adapter is not required.
  - ❖ Depending on the content's title and the computer's specifications, some scenes may be skipped or you may not be able to pause during multi-angle scenes.

Signal names for mini D-sub 15-pin connector:

<i>Pin No.:</i>	<i>Signal Name:</i>	<i>Pin No.:</i>	<i>Signal Name:</i>	<i>Pin No.:</i>	<i>Signal Name:</i>
1	R	6	Ground	11	NC
2	G	7	Ground	12	SDA
3	B	8	Ground	13	H-sync
4	NC*	9	5V	14	V-sync
5	Ground	10	Ground	15	SCL

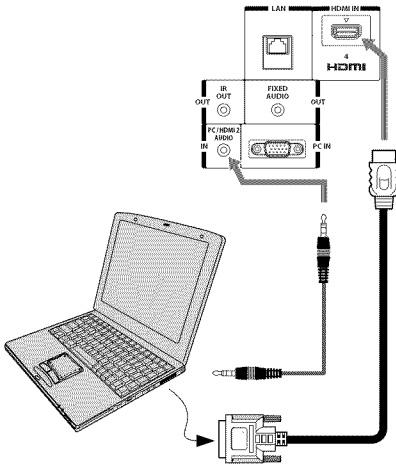
\*NC=Not connected

### Connect a computer to the TV's HDMI™ terminal

When connecting a computer with a DVI port to the HDMI™ terminal on the TV, use an HDMI™ to DVI adapter cable and analog audio cables.

When connecting a computer with an HDMI™ port, use an HDMI™ cable (type A connector). Separate analog audio cables may not be necessary, depending on computer hardware and setup.

For more information, see “Overview of cable types” on page 26.



*(Sample Illustration) L7300U Series—Connecting to an HDMI™ terminal*

The supported signal formats are VGA, SVGA, XGA, WXGA, SXGA, 480i (60Hz), 480p (60Hz), 720p (60Hz), 1080i (60Hz), and 1080p (24Hz/30Hz/60Hz). For signal specifications, see “Acceptable signal formats for PC IN and HDMI™” on page 175.

---

**NOTE**

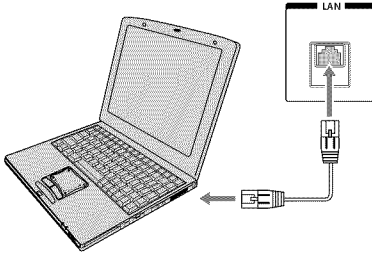
- ❖ The edges of the picture may be hidden.
  - ❖ If receiving a 480i (HDMI), 480p (HDMI), 720p, 1080i, or 1080p signal program, Native mode scales the video to display the entire picture within the borders of the screen (i.e. no overscanning).
-

## Connecting to a home network

The LAN port allows your Toshiba TV to connect to your home network. You can use this home network to access photos, movies, and music files that are stored on a connected Media Server and play them on your TV.

### Connecting the TV directly to a computer without an Internet connection

You will need a Crossover LAN cable.

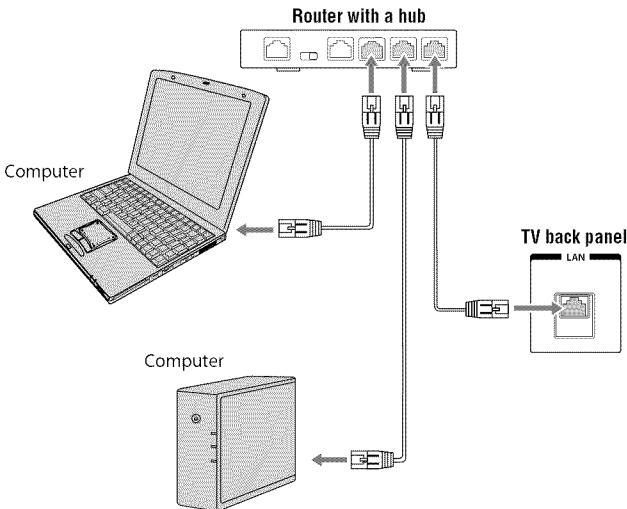


*(Sample Illustration) L7300U Series—Connecting a computer without Internet connection*

### Connecting the TV to a home network without an Internet connection

Items needed:

- ❖ Standard LAN cables
- ❖ Router with a hub

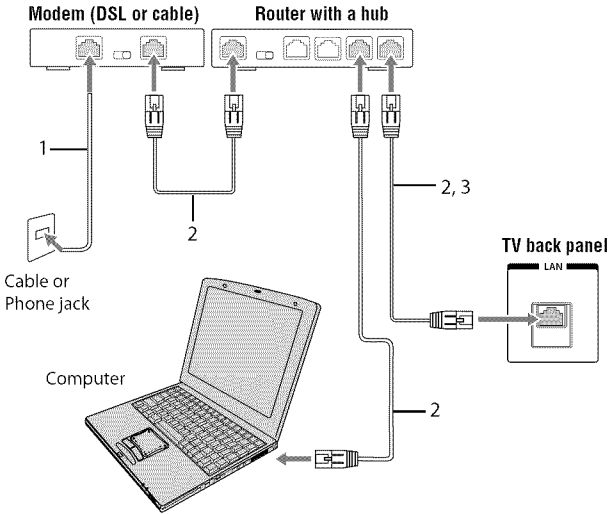


*(Sample Illustration) L7300U Series—Connecting a network without Internet connection*

### Connecting the TV to a home network with an Internet connection - wired

**Items needed:**

- ❖ Coaxial or telephone cable (depending on your modem type)
- ❖ Standard LAN cables
- ❖ Router with Hub
- ❖ Modem (DSL or cable)



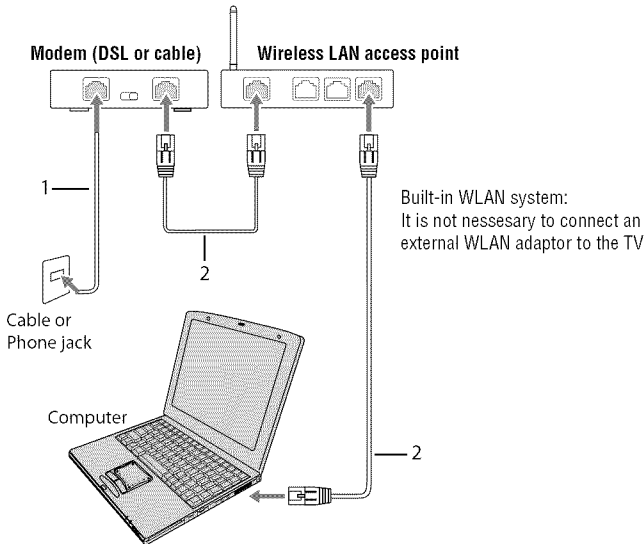
*(Sample Illustration) L7300U Series—Connecting with Internet connection - wired*

<i>Item:</i>	<i>Description:</i>
1	Coaxial or telephone cable (depending on your modem type)
2	Standard LAN cable
3	Do NOT connect a phone jack directly to the TV's LAN port.

## Connecting the TV to a home network with an Internet connection - wireless

### Items needed:

- ❖ Coaxial or telephone cable (depending on your modem type)
- ❖ Standard LAN cables
- ❖ Wireless LAN access point or wireless router
- ❖ Modem (DSL or cable)



*(Sample Illustration) L7300U Series—Connecting with Internet connection - wireless*

Item:	Description:
1	Coaxial or telephone cable (depending on your modem type)
2	Standard LAN cable

The transmission speed over the wireless LAN and the distance over which wireless LAN can reach may vary depending on surrounding electromagnetic environment, obstacles, access point design and configuration, and client design and software/hardware configurations. The actual transmission speed will be lower than the theoretical maximum speed.

**NOTE**

The Built-in WLAN Adapter is based on the IEEE 802.11n specification and may not be fully compatible with, or support some features (e.g., security) of certain Wi-Fi equipment that are based on the draft version of IEEE 802.11n.

---

# Chapter 3

## Using the Remote Control

---

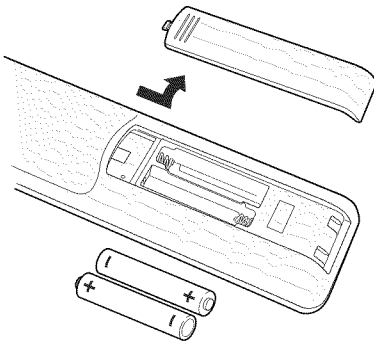
### Controlling other devices

The TV's remote control can operate other devices as described in the IR Blaster section on page 58.

### Installing batteries

To install batteries:

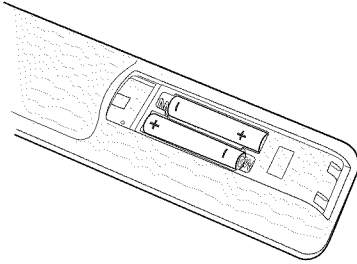
- 1 Slide back and pull up to open the cover.



*(Sample Illustration) Removing the battery cover*

- 2 Install two AAA size batteries.

**NOTE** Use carbon zinc batteries or alkaline batteries.



*(Sample Illustration) installing the batteries*

- 3 Slide on the cover.

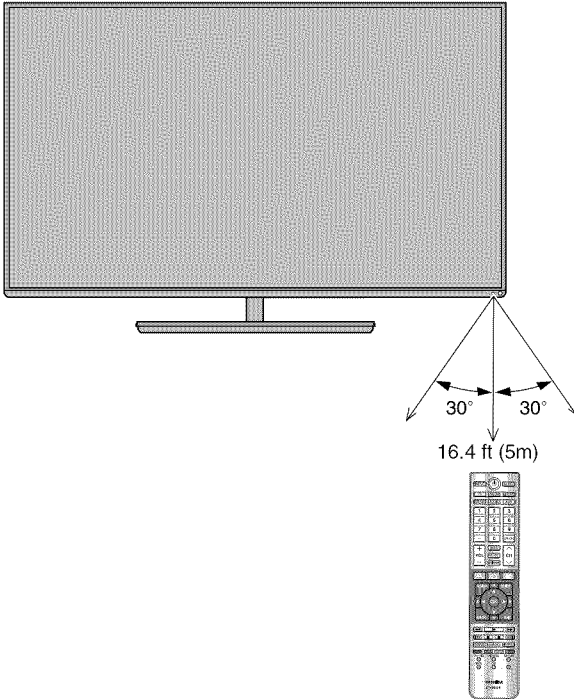
**CAUTION** Do not expose batteries to excessive heat such as sunshine, fire, etc.

- NOTE**
- ❖ Dispose of batteries in a designated disposal area.
  - ❖ Always consider the environment when disposing of batteries.
  - ❖ Always follow applicable laws and regulations.
  - ❖ If the remote does not operate correctly, or if the operating range is reduced, replace the batteries.
  - ❖ Always replace both batteries with new ones. Never mix battery types or use new and used batteries together.
  - ❖ Always remove batteries from the remote if they are dead or if the remote control is not to be used for an extended period of time. This prevents battery acid from leaking into the battery compartment.



## Remote control effective range

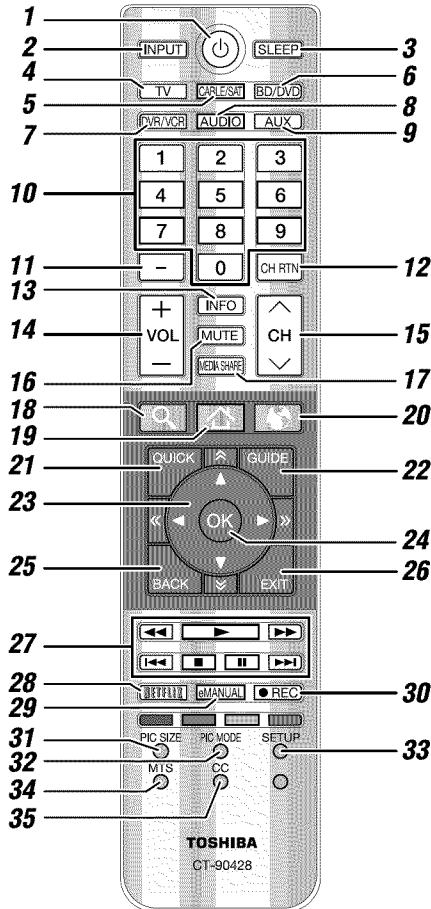
- 1 For optimum performance, aim the remote control directly at the TV and make sure there are no obstructions between the remote control and the TV.



*(Sample Illustration) Remote control effective range*

**Learning about the remote control**

Only the buttons used to operate the TV are described in this section. For the HDMI™ CEC Control functions, see “Using HDMI™ CEC Control” on page 81.



*(Sample Illustration) Remote control overview*

**NOTE** The error message “Not Available” may appear if you press a button for a function that is not available.

<i>Item:</i>	<i>Description:</i>	<i>Function:</i>	<i>Item:</i>	<i>Description:</i>	<i>Function:</i>
1	POWER button	Turns the TV On and Off. When the TV is on, the power LED indicator on the TV front glows green.	21	QUICK button	Launches the Quick menu.
2	INPUT button	Selects the video input source.	22	GUIDE button	Launches the MediaGuide application on-screen.
3	SLEEP button	Accesses the sleep timer.	23	(▲/▼/◀/▶)	Selects or adjusts programming buttons menu when a menu is on-screen.
4	TV button		24	OK button	Selects the highlighted items on the screen.
5	Cable/Satellite button	Sets the remote control mode to control the device: <b>TV, CABLE/SAT, BD/DVD, DVR/VCR, AUDIO, or AUX</b>	25	BACK button	Returns to the previous screen.
6	BD/DVD button		26	EXIT button	Closes on-screen menus.
7	DVR/VCR button		27	(▶/◀◀◀▶▶▶/◀/▶▶▶/■/  )	▶ : PLAY button ◀◀◀ : REWIND button ▶▶▶ : FAST FORWARD button ◀◀ : SKIP-BACK button ▶▶ : SKIP-FORWARD button ■ : STOP button    : PAUSE button
8	Audio button		28	NETFLIX button	Launches the Netflix® application on-screen.
9	Auxillary button		29	eMANUAL button	Launches the eManual application on-screen. Internet connection required.
10	Channel Number buttons (0-9)	Directly tunes channels.	30	REC button	Used for TV, Cable/Sat, BD/DVD, Aux devices
11	(-) button	Enters 2-part channel numbers.	31	PIC SIZE button	Cycles through the picture sizes.
12	CH RTN button	Returns to the last viewed channel or source.	32	PIC MODE button	Selects the picture mode.
13	INFO button	Displays TV status information as well as program details, when available.	33	SETUP button	Accesses the main TV menu system.
14	VOL (+ / -) buttons	Adjusts the volume level.	34	MTS button	Accesses the MTS options.
15	CH (▲/▼) buttons	Cycles through programmed channels.	35	CC button	Accesses the closed-caption feature.
16	MUTE button	Reduces or turns off the sound.			
17	MEDIA SHARE button	Accesses the MediaShare Service.			
18	SEARCH button	Accesses the SearchAll function.			
19	HOME button	Accesses the Cloud TV Portal Pages.			
20	INTERNET button	Launches the web browser on-screen.			

# Chapter 4

## Initial Setup and Menu

---

### Initial setup

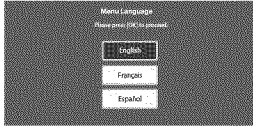
When you first turn on or reset the TV, the **Menu Language** screen appears.

- 
- NOTE**
- ❖ You can stop Initial setup by pressing the **EXIT** button. However, if you do not finish **Channel Tuning** setting, the **Quick Setup** screen will appear every time you turn on your TV.
  - ❖ The **EXIT** button does not work until after you have set the **Store/Home Mode** setting.
-

## Performing the initial setup

### 1 Menu Language

Select a language and press the **OK** button.



*(Sample Illustration) Selecting Menu Language*

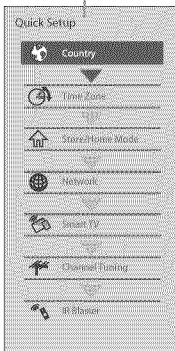
- ❖ Quick Setup screen will appear.

### About the Quick Setup screen

The Quick Setup screen is divided into the progress window and setup window.

- ❖ The progress window shows the **Quick Setup** items being set up. The finished items are dark, and the finish mark (✓) appears by them.
- ❖ The setup window shows the settings.

#### Progress window



#### Setup window

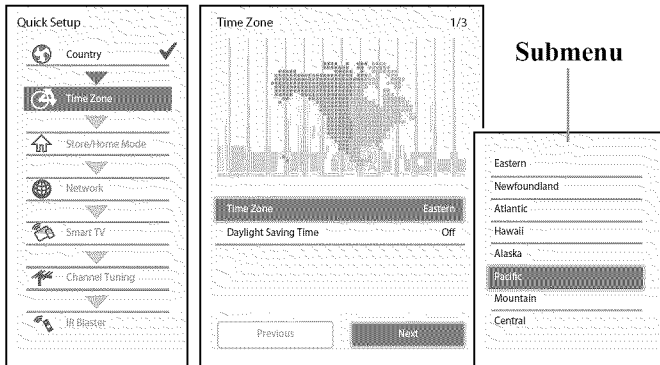


**Next**

*(Sample Illustration) Quick Setup and Welcome window.*

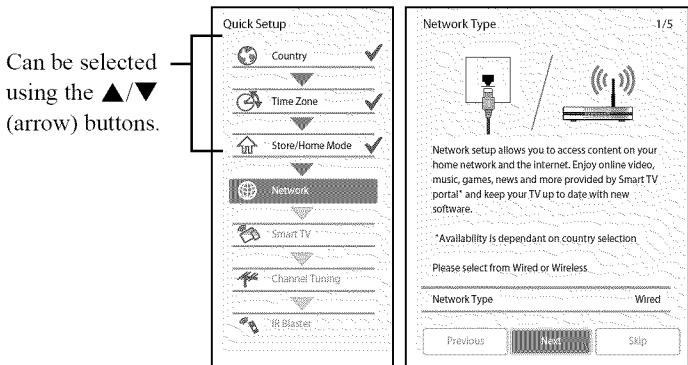
#### Basic Operations in Quick Setup

- 1 Use the ▲/▼ (arrow) buttons to select an item on the setup window, and press the **OK** button.
  - 2 Select **Next** and press the **OK** button.  
The next item will appear.
- ❖ Some items have sub menus, which appear when the **OK** button is pressed.  
Use the ▲/▼ (arrow) buttons to select an item on the sub menu, and press the **OK** button.



*(Sample Illustration) Quick Setup and Welcome window.*

- ❖ Alternatively, press the ► (arrow) button to show the sub menu.
- ❖ When the ◀ (arrow) button is pressed on the setup window, the focus moves to the progress window. On the progress window, you can select a finished item using the ▲/▼ (arrow) buttons.



*(Sample Illustration) Quick Setup and Welcome window.*

Repeat the above procedure to continue setting up.

---

## Performing the Quick Setup

- 1 Country**  
Select a country then press the **OK** button.
- 2 Time Zone**  
Select **Time Zone**, and select a time zone from the submenu.  
Select **Daylight Saving Time**, and select **On** or **Off** from the submenu.  
Select **Next**.
- 3 Store / Home Mode**  
Select **Store / Home Mode**, and select **Home** or **Store** from the submenu.  
To use at home, select **Home**.  
Select **Next**.

---

**NOTE** Store Mode is only available if the TV is set to Store Mode at initial setup. This option is hidden in the Home Mode.

---

- 4 Network**
  - ❖ To make full use of the functions, it is recommended that you set up a network and connect to the Internet.

To start the Network Setup, select **Next** on the screen or to skip the setup, select **Skip**. If you skip this setup, you can setup the Network at any time through the **Network** menu.

### Network setup

- Select **Network Type**, and select **Wired** or **Wireless** from the sub menu.  
Select **Next**.
  - ❖ If you select **Wired**, proceed to the Network Connection Test (Step 3). If you selected **Wireless**, please proceed to the following step.
- Select **Wireless Setup**, and select **Easy Setup**, **Assisted Setup**, or **Manual Setup** from the sub menu.  
Select **Next**.

- NOTE**
- ❖ **Easy Setup.** If your Access Point (AP) supports WPS, this method can be used. WPS is a standard designed to simplify the connection of wireless LAN equipment and the setup of network security features.
  - ❖ **Assisted Setup** (setup using the AP's notification information). The Network Name, Authentication, and Encryption are decided based on information from the AP. You need to manually set the Security Key for this method.
  - ❖ **Manual Setup** (to input all settings manually).
- 

- 3 Once your wired or wireless network has been configured, perform a **Network Connection Test**.  
A network connection test screen will appear while the test is being performed. If the test was successful, the successful connection screen will appear.  
If the network connection test failed, the connection failure screen will appear.  
For more information, see “Setting up the Network” on page 113 .
  - 4 Press the **OK** button.  
When the network can be accessed, **Software Upgrade** availability check starts automatically. When **Software Upgrade** is completed, proceed to the next step.
- 

**NOTE** In order to secure your home network, it is strongly recommended that you use a wireless access point with encryption.

---

## 5 Smart TV

Select **TV Power On Control**, and select **Enabled** or **Disabled** from the sub menu.

If you select **Enabled**, you can turn on or off the television from the companion devices such as Tablet or Smartphone.

Select **Next**.

- ❖ When **Enabled** is selected, perform the following procedure:
  - 1 Select **Enable Control**, and select **On** or **Off** from the sub menu.  
When **On** is selected, you can control the TV using companion devices such as a tablet or smartphone.



- 2 Select **Media Renderer**, and select **On** or **Off** from the sub menu.  
When **On** is selected, the Media Renderer function can be used.
  - 3 Select **Next**.
- 6 **Channel Tuning**

Select **Antenna** or **Cable**, and select **Start Scan**.

Auto Tuning will start.

While scanning is in progress, the **Auto Tuning Progress** screen appears.

---

**NOTE** If you do not want to scan channels, you do not need to make a selection for **Channel Tuning**. Select **Skip** to skip this step.

---

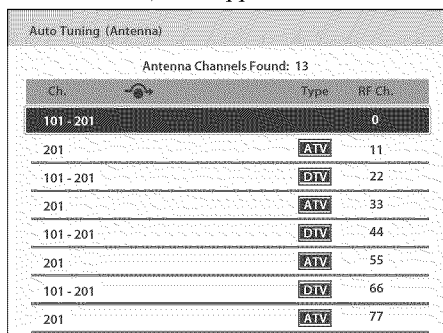
---

**NOTE** If you want to stop scanning, pressing the **EXIT** button while scanning is in process.

---

While scanning is in progress, the **Auto Tuning Progress** screen appears.

After scanning is complete, the auto tuning results screen (such as the one below) will appear.



The screenshot shows the 'Auto Tuning (Antenna)' screen with the title 'Antenna Channels Found: 13'. It displays a table of channels with columns for 'Ch.', 'Type', and 'RF Ch.'. The first row is highlighted, showing '101 - 201' for the channel name and '0' for the RF Ch. The subsequent rows list individual channels: '201' (ATV, RF Ch. 11), '101 - 201' (DTV, RF Ch. 22), '201' (ATV, RF Ch. 33), '101 - 201' (DTV, RF Ch. 44), '201' (ATV, RF Ch. 55), '101 - 201' (DTV, RF Ch. 66), and '201' (ATV, RF Ch. 77).

Ch.	Type	RF Ch.
101 - 201		0
201	ATV	11
101 - 201	DTV	22
201	ATV	33
101 - 201	DTV	44
201	ATV	55
101 - 201	DTV	66
201	ATV	77

*(Sample Illustration) Auto Tuning Results screen*

Press the **OK** button.

---

**NOTE** The encrypted channels are not listed on the auto tuning result screen.

---

If some channels are not found after scanning:

- ❖ Check the antenna/cable connections, and scan again.
- ❖ Connect the TV to the antenna or cable box directly and scan again.
  - 1 Press the **SETUP** button. Select **Installation > Quick Setup** and press the **OK** button.

A confirmation message appears.
  - 2 Select **Yes** then press the **OK** button.
  - 3 Repeat setup to step 6 (Channel Tuning).
    - ❖ If you selected **Antenna** previously, selecting **Cable** might be effective.
    - ❖ If you selected **Cable** previously, selecting **Antenna** might be effective.
  - 4 Select **Start Scan**.
- 7 **IR Blaster**

Select **Next** or **Skip**.

  - ❖ To start the IR Blaster setup, select **Next** on the screen, or to skip the setup, select **Skip**. If you skip this setup, you can setup the IR Blaster at any time through the **Installation > IR Blaster Setup** menu.

---

**NOTE** The IR Blaster may not work with some devices, and it may not control certain features on your external devices.

---

## Setting the IR Blaster

### IR Blaster Setup

- 1 Select **Add** on the screen.

**Device Type** screen will appear.

### Device Type

- 1 Select **Device Type**, and use the ◀▶ (arrow) buttons to select a device type from the following:
  - ❖ Cable Box
  - ❖ Satellite Box
  - ❖ VCR
  - ❖ Blu-ray, DVD Player
  - ❖ Receiver, Misc Audio
  - ❖ Amplifier
  - ❖ CD Player
  - ❖ Video Accessory

- 2 Press the ▼ (arrow) button then press the **GREEN** button.  
The **Brand** screen will appear.
- 3 Use the ▲/▼ (arrow) buttons to select the brand name then press the **OK** button.
  - ❖ Select a field and press the **OK** button to show the software keyboard. Enter the first few characters of the brand name and press the **GREEN** button. The brand name starting with the entered characters will appear on the **Brand** screen.
- 4 Press the **OK** button.  
**Model Name** screen will appear.

### Model Name

- 1 Press the **GREEN** button.  
The **Model Name** screen will appear.
- 2 Use the ▲/▼ (arrow) buttons to select the model name then press the **OK** button.
  - ❖ Select a field and press the **OK** button to show the software keyboard. Enter the first few characters of the model name and press the **GREEN** button. The model name starting with the entered characters will appear on the **Model Name** screen.
- 3 Press the ▼ (arrow) button to select **Code Set** then press the **OK** button.  
**Code Set** screen will appear.

### Code Set

- 1 Use the ◀/▶ (arrow) buttons to select the code.
  - ❖ After the code is selected, press the **RED** button to show the **Test** screen. The test will start automatically.

---

### NOTE

If a model has more than one Code Set, a message will appear stating "This model has more than one Code Set. Please select and test your preferred Code Set." You will need to choose a code set using the ▲/▼ (arrow) buttons and perform the Test option to ensure the correct Code Set has been selected.

---

- 2 Press the **OK** button  
**Input & Mode Key** screen will appear.

**Input & Mode Key**

- 1 Use the ◀/▶ (arrow) buttons to select the TV input to which the IR device is connected.
  - ❖ --- (Appears when **Device Type** is set to **Receiver, Misc Audio** or **Amplifier**)
  - ❖ ANT/CABLE
  - ❖ Video1
  - ❖ Video2
  - ❖ ColorStream HD
  - ❖ HDMI 1
  - ❖ HDMI 2
  - ❖ HDMI 3
  - ❖ HDMI 4
  - ❖ PC
- 2 Press the ▼ (arrow) button.
- 3 Use the ◀/▶ (arrow) buttons to select device mode key.
  - ❖ CABLE/SAT
  - ❖ BD/DVD
  - ❖ DVR/VCR
  - ❖ Audio
  - ❖ AUX
- 4 Press the **OK** button.
  - ❖ When **Device Type** is set to **Receiver, Misc Audio** or **Amplifier**, the **Volume Control** screen will appear.
  - ❖ When **Device Type** is set to **Cable Box, Satellite Box, Blu-ray** or **DVD Player**, the **Guide Preferences** screen will appear.
  - ❖ When **Device Type** is set to **VCR, CD Player** or **Video Accessory**, press the **OK** button on the **IR Blaster Setup** complete screen.  
**Support Information** screen will appear.

### Volume Control

- 1 Use the ◀/▶ (arrow) buttons to set up the Volume control to select:
  - ❖ **TV** (this is the default)
  - ❖ **External**  
The **Volume +** or **-** and **MUTE** buttons will control the external equipment through the IR blaster.
- 2 Press the **OK** button.  
Press the **OK** button on the IR Blaster Setup complete screen. **Support Information** screen will appear.

### Guide Preferences

- 1 Use the ◀/▶ (arrow) buttons to set up the Guide preferences to select:
    - ❖ **TV MediaGuide**
    - ❖ **External Device Guide**
  - 2 Press the ▼ (arrow) button to select **Interval Time**.
    - ❖ 0.125 sec
    - ❖ 0.25 sec
    - ❖ 0.375 sec
    - ❖ 0.5 sec
    - ❖ 0.625 sec
    - ❖ 0.75 sec
    - ❖ 0.875 sec
    - ❖ 1 sec
  - ❖ After the interval time is selected, press the **RED** button to show the **Test** screen. The test will start automatically.
  - 3 Press the **OK** button.  
Press the **OK** button on the IR Blaster Setup complete screen. **Support Information** screen will appear.
- 8 **Support Information**  
Read through the information, and press the **OK** button.
- ❖ The initial setup is completed.

---

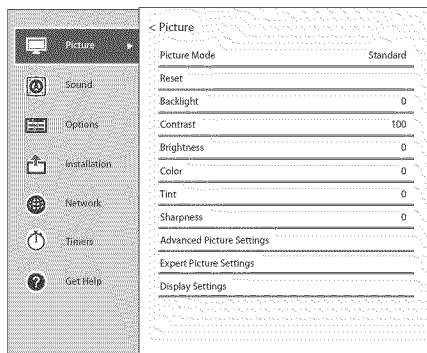
#### NOTE

Refer to this information if there is a problem and you need to contact Customer Support. To find help, the following operation can be performed at any time. **SETUP** button > **Get Help** > **System Information** > **OK** button.

---

## Navigating the menu system

- ❖ To open the menu system, press the **SETUP** button on the remote control.



### *(Sample Illustration) Main menu*

- ❖ When a menu is open, press the ▲/▼/◀/▶ (arrow) buttons on the remote control to move in the corresponding direction.  
To show the setup items or sub menus, press the ► (arrow) button (or the **OK** button).  
To select a highlighted item or save your menu settings, press the **OK** button. (A highlighted menu item appears in a different color in the menu.)
- ❖ All menus close automatically if no selection is made within approximately 60 seconds.
- ❖ To close a menu instantly, press the **EXIT** button.

## Quick Menu

Quick menu helps you access some options more quickly.

Press the **QUICK** button to display the Quick menu and press the ▲/▼ (arrow) buttons to select an option.

---

**NOTE** Quick menu items differ depending on the current mode.

---

<i>Quick Menu</i>	<i>Item Page</i>
Intel® WiDi	page 124
Picture Mode	page 97
Picture Size	page 91
Sleep Timer	page 87
HDMI CEC Device Control	page 81
Speakers	page 106
Device Information	page 144
Wireless Information	page 117
Interval Time	page 152
Repeat	page 146
Sound	page 105
Picture	page 91
Background Music	page 153
Play List	page 146

# Chapter 5

## Setting up your TV

---

### How to navigate the menu

- ❖ Press the **SETUP** button. Select **Installation**, Main menu, Submenu, and then press the **OK** or **EXIT** button.

### Changing initial settings

#### From Quick Setup:

- 1 Press the **SETUP** button.
- 2 Select **Installation** > **Quick Setup**, and press the **OK** button.  
A confirmation message appears.
- 3 Press the ◀/▶ (arrow) buttons to select **Yes**.
- 4 Press the **OK** button.  
To change settings, see “Initial setup” on page 52.

### Individual settings

#### Menu Language

You can choose from three different menu language settings (English, Français, and Español). The TV displays menus and messages in your preferred language.

- 1 Press the **SETUP** button.
- 2 Select **Installation** > **Menu Language** and press the **OK** button.
- 3 Press the ▲/▼ (arrow) buttons to select your preferred language.
- 4 Press the **OK** button.



## Country

You can select the country in which you reside.

- 1 Press the **SETUP** button.
- 2 Select **Installation > Country** and press the **OK** button.
- 3 Press the **▲/▼** (arrow) buttons to select the country.
- 4 Press the **OK** button.

## Time Zone

This setting allows you to specify the correct time zone for your region.

- 1 Press the **SETUP** button.
- 2 Select **Installation > Time Zone** and press the **OK** button.
- 3 Press **▲/▼** (arrow) buttons to select your time zone.
- 4 Press the **OK** button.

## Daylight Saving Time

- 1 Press the **SETUP** button.
- 2 Select **Installation > Daylight Saving Time** and press the **OK** button.
- 3 Press the **▲/▼** (arrow) buttons to select **On** or **Off**.
- 4 Press the **OK** button.

## Store / Home Mode

You can select **Store** or **Home** to designate the TV location. Select **Home** for normal home use.

- 1 Press the **SETUP** button.
- 2 Select **Installation > Store / Home Mode** and press the **OK** button.
- 3 Press the **▲/▼** (arrow) buttons to select **Home** or **Store**.
- 4 Press the **OK** button.

---

**NOTE** Store Mode is only available if the TV is set to Store Mode at initial setup.

---

## ANT/CABLE In

This setting configures the antenna input source for the ANT/CABLE terminal.

- 1 Press the **SETUP** button.
- 2 Select **Installation > Channel Tuning > ANT/CABLE In** and press the **OK** button.

- 3 Press the ▲/▼ (arrow) buttons to select **Antenna** or **Cable**.
- 4 Press the **OK** button.
- 5 Select **Start Scan**.  
After scanning is complete, the auto tuning results screen will appear.
- 6 Press the **OK** or **EXIT** button.

## Storing channels in memory (optional)

To make sure your TV stops only on the channels you want when you press the **CH** ▲/▼ buttons on the remote control or the control panel, store those channels in the TV's memory.

### Auto Tuning

**NOTE** You must set up the antenna/cable input source first. See "Initial setup" on page 52.

You can set up the TV to detect all active channels in your area and store them in its memory. Then you can manually store or skip individual channels from memory.

<i>Option:</i>	<i>Description:</i>
Cable	Note: If you select Cable, auto tuning deletes previously stored channels from memory. This setup requires some time, but you do not need to repeat the setup unless your cable TV service's lineup changes significantly.
Antenna	To skip an antenna source channel and remove it from memory, set the channel to be skipped. See "Skipping channels" on page 67.

**NOTE** To tune to channels not stored in memory, use buttons 0–9 and the **DASH** button on the remote control.

- 1 Press the **SETUP** button.
- 2 Select **Installation > Channel Tuning > Auto Tuning**, and then press the **OK** button.  
A confirmation screen appears.
- 3 Press the **OK** button to start Auto Tuning or press **EXIT** button to abort.  
The TV cycles through the channels and stores all active channels in memory.

- 4 To view the programmed channels, press the **CH ▲/▼** buttons.

## Manual Tuning

After storing channels in memory, you can manually enter channels if the channel number is known.

- 1 Press the **SETUP** button.
- 2 Select **Installation > Channel Tuning > Manual Tuning**, and then press the **OK** button.
- 3 Use buttons 0–9 on the remote control to enter the channel number (for example, 56).
- 4 Press the **OK** button.
- 5 Press the **OK** button again to begin Manual Tuning.

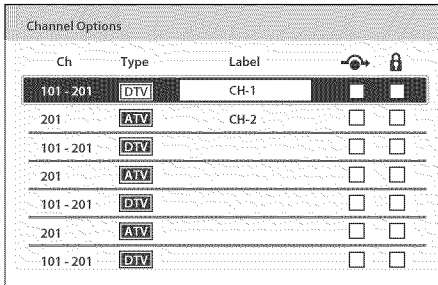
The channels found are listed at the bottom of the screen.

<i>Option:</i>	<i>Description:</i>
ATV	Analog channel
DTV	Digital channel

## Skipping channels

To prevent a channel from being viewed, you can set it to be skipped.

- 1 Press the **SETUP** button.
- 2 Select **Options > Channel Options** and then press the **OK** button.  
 The list of channels appears.



*(Sample Image) Channel options*

- 3 Press the **◀/▶** (arrow) buttons to select the Skip column (🔊) and press the **▲/▼** (arrow) buttons to select a channel to skip.
- 4 Press the **OK** button.  
 The box is selected.
- 5 To clear the selection, press the **OK** button.

**NOTE** You cannot tune skipped channels using the **CH ▲/▼** buttons. Use buttons 0–9 and the **DASH** button on the remote control.

## Skipping video inputs

You can set video inputs to be skipped when selecting inputs in the Input selection screen.

### To turn on skip

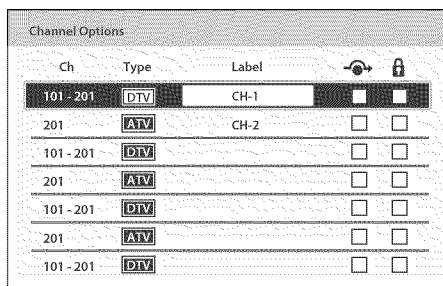
- 1 Press the **SETUP** button.
- 2 Select **Options > Input Option > Input Labeling** and press the **OK** button.
- 3 Press the **▲/▼** (arrow) buttons to select the item you wish to skip. Then press the **RED** button to turn on **Skip**.

### To turn off skip

Press the **RED** button again to turn off **Skip**.

## Labeling analog TV channels

- 1 Press the **SETUP** button.
- 2 Select **Options > Channel Options**, and then press the **OK** button. The list of channels appears.



*(Sample Image) Channel options*

- 3 Press the **▲/▼** (arrow) buttons to select a channel to label.
- 4 Press the **OK** button. The Software Keyboard window appears.
- 5 Input a name using the Software Keyboard, see "Using the software keyboard" on page 121.
- 6 Press the **GREEN** button.

## Labeling video inputs

The input labels are shown in the input selector and banner displays. You can label video inputs according to the devices you have connected to the TV.

- 1 Press the **SETUP** button.
- 2 Select **Options > Input Option > Input Labeling** and press the **OK** button.
- 3 Press the **▲/▼** (arrow) buttons to select the item you wish to label. Press the **◀/▶** (arrow) buttons to select **Receiver, Cable, DVD, Game, PC, Recorder, Satellite, VCR** or **Blu-ray™**.
  - ❖ When entering arbitrary characters, press the **GREEN** button. The Software Keyboard window appears. Input a name using the Software Keyboard, see “Using the software keyboard” on page 121.
- 4 Repeat Step 3 for other video inputs.

## Configuring shared input

### To set Shared PC Audio

- 1 Press the **SETUP** button.
- 2 Select **Options > Input Option > PC/HDMI 2 Audio** and press the **OK** button.
- 3 Press the **▲/▼** (arrow) buttons to select **PC** or **HDMI 2**.

---

**NOTE** To apply the setting, switch the input to PC or HDMI 2.

---

# Chapter 6

## Basic features

---

### Tuning Channels

#### Tuning to the next programmed channel

Press the **CH ▲/▼** buttons on the remote control or TV control panel.

#### Tuning to a specific channel (programmed or unprogrammed)

---

<i>Channel:</i>	<i>Description:</i>
Analog	Use the 0–9 buttons on the remote control. (For example, to select channel 125, press 1, 2, 5.), and then press the <b>OK</b> button.
Digital	Use the 0–9 buttons on the remote control to enter the major channel number. (and press the <b>DASH</b> button if needed, (For example, to select digital channel 125- 1, press 1, 2, 5, –, 1.)), and then press the <b>OK</b> button.

---

### Using Channel Return

You can switch between two channels without entering a channel number each time. This feature also works for external inputs.

- 1 Select the first channel you want to view.
- 2 Select a second channel using the Channel Number buttons (and press the **DASH** button if needed).
- 3 Each time you press the **CH RTN** button, the TV switches between the last two channels that were tuned.

## Selecting the video input to view

To select the video input to view:

- 1 Press the **INPUT** button.
- 2 Change the input:
  - ❖ Press 0–7.
  - ❖ Repeatedly press the ▲/▼ (arrow) button and then press the **OK** button.
  - ❖ Repeatedly press the **INPUT** button.

---

### *Inputs*

---

0	ANT/CABLE
1	Video 1
2	Video 2 / ColorStream HD
3	HDMI 1
4	HDMI 2
5	HDMI 3
6	HDMI 4
7	PC

---

---

### **NOTE**

- ❖ You can label the video input sources according to the specific devices you have connected to the TV, see “Labeling video inputs” on page 69.
  - ❖ You can skip sources, see “Skipping video inputs” on page 68.
  - ❖ Inputs that are set to be skipped will be skipped when selecting by repeatedly pressing the **INPUT** button or the ▲/▼ (arrow) buttons.
  - ❖ You can select inputs that are set to be skipped using the number buttons.
  - ❖ If one or more HDMI™ CEC devices are connected to an HDMI™ input, the icon appears in the input selector. In this case, the label, see “Labeling video inputs” on page 69 will not appear in the input selector.
-

**To select an HDMI™ CEC device:**

- 1 Press the ▲/▼ (arrow) buttons to select an HDMI™ input.
- 2 Press the ► (arrow) button. The list of HDMI™ CEC devices for that input appears.
- 3 If the input has multiple HDMI™ CEC devices, press the ▲/▼ (arrow) buttons to select a device.
- 4 Press the **OK** button.

## Using closed captions

**To turn on the closed caption mode:**

- 1 Press the **SETUP** button.
- 2 Select **Options > Closed Captions**.
- 3 Press the **OK** button.
- 4 Press the ▲/▼ (arrow) buttons to select **Closed Captions Display** and press the **OK** button.
- 5 Press the ▲/▼ (arrow) buttons to select **On** or **Off**.

---

**NOTE** If Closed Captions Display is set to Off, Analog CC Mode and Digital CC Settings will be not available.

---

## Analog CC mode

**The closed caption mode has two options:**

<i>Mode:</i>	<i>Description:</i>
Captions	Displays the dialogue, narration, and sound effects of TV programs and videos that are closed captioned (usually marked "CC" in program guides).
Text	Displays information not related to the current program, such as weather or stock data (when provided by individual stations).

**To view captions or text:**

- 1 Press the **SETUP** button.
- 2 Select **Options > Closed Captions**.
- 3 Press the **OK** button.
- 4 Press the ▲/▼ (arrow) buttons to select **Analog CC Mode** and press the **OK** button.



**To view captions:**

Press the ▲/▼ (arrow) buttons to highlight CC1, CC2, CC3, or CC4.

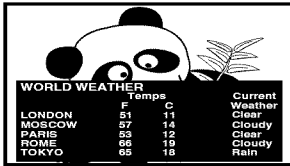


*(Sample Illustration) Captions*

**NOTE** If the program or video you have selected is not closed captioned, no captions will be displayed.

**To view text:**

Press the ▲/▼ (arrow) buttons to highlight T1, T2, T3, or T4.



*(Sample Illustration) Captions - text*

**NOTE** If text is not available in your area, a black rectangle may appear on the screen. You can remove this rectangle by setting Closed Captions Display to Off.

**NOTE** A closed caption signal may not be displayed when a videotape is dubbed, signal reception is weak, or signal reception is non-standard.

**Digital CC settings**

You can customize the closed caption display characteristics.

- NOTE**
- ❖ These settings are available for digital channels only.
  - ❖ You cannot set Caption Text and Background as the same color.

<b>Mode:</b>	<b>Description:</b>
Caption Size	Auto, Small, Standard, Large
Caption Text Type	Auto, Default, Mono (with Serif), Prop. (with Serif), Mono (without Serif), Prop. (without Serif), Casual, Cursive, Small Capitals
Caption Text Edge	Auto, None, Raised, Depressed, Uniform, Left Drop Shadow, Right Drop Shadow
Caption Text Color	Auto, Black, White, Red, Green, Blue, Yellow, Magenta, Cyan
Text Foreground Opacity	Auto, Transparent, Translucent, Flashing, Solid
Background Color	Auto, Black, White, Red, Green, Blue, Yellow, Magenta, Cyan
Text Background Opacity	Auto, Transparent, Translucent, Flashing, Solid
Caption Text Edge Color	Auto, Black, White, Red, Green, Blue, Yellow, Magenta, Cyan

### To customize the closed captions:

- 1 Press the **SETUP** button.
- 2 Select **Options > Closed Captions**.
- 3 Press the **OK** button.
- 4 Press the **▲/▼** (arrow) buttons to select **Digital CC Settings** and then press the **OK** button.
- 5 Press the **▲/▼** (arrow) buttons to select a characteristic and then press the **OK** button.  
Press the **▲/▼** (arrow) buttons to select the format for that characteristic.

### Using the Closed Caption button

If you press the **CC** button when an analog channel is tuned or from an external input (480i signal from the video input):

- ❖ The CC bar will appear and will display the options, CC1-4, T1-4.

If you press the **CC** button when a digital channel is tuned:

- ❖ The CC bar will appear and will display the available caption options for that channel or service.

### Setting the PIN code

A PIN code is necessary for some menus.

---

**NOTE** The Parental Control and Locks menu is grayed out if no PIN has been set.

---

---

## Entering a new PIN code

- 1 Press the **SETUP** button.
- 2 Select **Options > Parental PIN Setup**.
- 3 Press the **OK** button.
- 4 Use the number buttons to enter a 4-digit number, and then confirm the code.

---

**NOTE** The PIN code cannot be set to “0000”.

---

## Changing or deleting your PIN code

- 1 Press the **SETUP** button.
- 2 Select **Options > Parental PIN Setup**.
- 3 Press the **OK** button.
- 4 Use the number buttons to enter your 4-digit PIN code.
- 5 Select **Change PIN** or **Delete PIN**, and then press the **OK** button.

---

**NOTE**

- ❖ The PIN code cannot be set to “0000”.
- ❖ If you delete the PIN code, the settings of Parental Controls and Locks are reset.

---

## Forgotten PIN code

- 1 Press the **SETUP** button.
- 2 Select **Options > Parental PIN Setup**.
- 3 Press the **OK** button.
- 4 Press the **INFO** button 4 times quickly.
- 5 Select **Change PIN** and press the **OK** button.
- 6 Enter a new PIN code.

## Using parental controls

### Blocking TV programs and movies by rating (V-Chip)

Some TV programs and movies include signals that classify the content of the program (as unsuitable for younger viewers). The V-Chip feature in this TV detects the signals and blocks the programs according to the ratings you select.

---

**NOTE** The V-Chip feature in this TV supports the U.S. V-Chip system only.

---

- 1 Press the **SETUP** button.
  - 2 Select **Options > Parental Control and Locks**.
  - 3 Press the **OK** button.
  - 4 Enter your 4-digit PIN code.
  - 5 Press the **▲/▼** (arrow) buttons to select **Enable Rating Blocking** and press the **OK** button.
  - 6 Press the **▲/▼** (arrow) buttons to select **On**.
  - 7 Press the **▲/▼** (arrow) buttons to select **Edit Rating Limits**, and then press the **OK** button.  
The Edit Rating Limits screen appears.
  - 8 Press the **▲/▼/◀/▶** (arrow) buttons.
  - 9 Press the **OK** button to select a level of blocking.  
A box with an “X” indicates a rating that will be blocked. As you highlight a rating, the rating’s definition appears at the bottom of the screen.
  - 10 Select **Done** and then press the **OK** button.
- 

**NOTE** This feature will not be available if no PIN code is set.

---

### Downloading an additional rating system

An additional rating system may be available for use in selectively blocking TV programs and movies.

---

**NOTE** The currently tuned station must be receiving a digital signal before an additional rating system can be downloaded.

---

- 1 Press the **SETUP** button.
- 2 Select **Options > Parental Control and Locks**.
- 3 Press the **OK** button.
- 4 Enter your 4-digit PIN code.  
The Parental Control and Locks screen appears.
- 5 Press the **▲/▼** (arrow) buttons to select **Enable Rating Blocking** and press the **OK** button.
- 6 Press the **▲/▼** (arrow) buttons to select **On**.
- 7 Press the **▲/▼** (arrow) buttons to select **Edit Rating Limits**, and then press the **OK** button.  
The Edit Rating Limits screen appears.
- 8 Select **Alt RS**, and then press the **OK** button.  
The Edit Alternate Ratings screen appears.

---

**NOTE**

- ❖ The Alt RS button is only available if an additional rating system is currently available.
- ❖ The download may take several minutes.
- ❖ The information displayed on the Alternate Ratings screen depends on the configuration of the additional rating system available at the time of download.

- 
- 9 Press the **▲/▼/◀/▶** (arrow) buttons.
  - 10 Press the **OK** button to select the desired level of blocking. A box with an “X” indicates the rating that will be blocked.

---

**NOTE**

- ❖ You can only download the additional rating system once. You cannot download updates if they become available.
  - ❖ The additional rating system is not designed, transmitted, or controlled by the TV or Toshiba, nor is the availability of an additional rating system determined or controlled by Toshiba. Similarly, the rating of programs in an additional rating system is not determined, transmitted, or controlled by the TV or Toshiba.
  - ❖ The additional rating system is an evolving technology; therefore, availability, content, and format may vary.
-

## Rating system

Independent rating system for broadcasters:

<b>Ratings:</b>	<b>Description and Content themes:</b>
TV-MA	Mature Audience Only (This program is specifically designed to be viewed by adults and therefore may be unsuitable for children under 17. L) Crude or indecent language S) Explicit sexual activity V) Graphic violence
TV-14	Parents Strongly Cautioned (This program contains some material that many parents would find unsuitable for children under 14 years of age.) D) Intensely suggestive dialogue L) Strong, coarse language S) Intense sexual situations V) Intense violence
TV-PG	Parental Guidance Suggested (This program contains material parents may find unsuitable for younger children.) D) Some suggestive dialogue L) Infrequent coarse language S) Some sexual situations V) Moderate violence
TV-G	General Audience (Most parents would find this program suitable for all ages.)
TV-Y7, TV-Y7FV	Directed to Older Children (This program is designed for children age 7 and above.  NOTE: Programs in which fantasy violence may be more intense or more combative than other programs in this category are designated TV-Y7FV.)
TV-Y	All Children (This program is designed to be appropriate for all children.)

Independent rating system for movies

<b>Ratings:</b>	<b>Description and Content themes:</b>
X	X-rated (For adults only)
NC-17	Not intended for anyone 17 and under
R	Restricted (Under 17 requires accompanying parent or adult)
PG-13	Parents Strongly Cautioned (Some material may be inappropriate for children under 13)
PG	Parents Strongly Cautioned (Some material may be inappropriate for children under 13)
G	General Audience (Appropriate for all ages)

Indication other than rating system

<b>Display:</b>	<b>Description:</b>
NONE	The program is rated None.
(No rating appears)	No rating information is provided.

**NOTE** If you place an “X” in the box next to “Rated “None””, programs rated “None” or “Not Rated” will be blocked; Programs that do not provide any rating information will not be blocked.

## Displaying ratings

To display the rating of the program you are watching, press the **INFO** button on the remote control.

## Unlocking programs

If you try to tune to a program that exceeds the rating limits you have set, the TV will enter program lock mode and a warning message will appear on screen. Follow the instructions to temporarily unlock the program.

## Locking specific channels

A channel that is configured as Locked cannot be viewed unless the PIN code is entered first, see “Setting the PIN code” on page 74.

- 1 Press the **SETUP** button.
- 2 Select **Options > Channel Options**.
- 3 Press the **OK** button.

The list of channels appears.

Ch	Type	Label		
101 - 201	DTV	CH-1	<input checked="" type="checkbox"/>	<input checked="" type="checkbox"/>
201	ATV	CH-2	<input type="checkbox"/>	<input type="checkbox"/>
101 - 201	DTV		<input type="checkbox"/>	<input type="checkbox"/>
201	ATV		<input type="checkbox"/>	<input type="checkbox"/>
101 - 201	DTV		<input type="checkbox"/>	<input type="checkbox"/>
201	ATV		<input type="checkbox"/>	<input type="checkbox"/>
101 - 201	DTV		<input type="checkbox"/>	<input type="checkbox"/>

### *(Sample Illustration) Channel options*

- 4 Press the **▶** (arrow) button and then press the **▲/▼** (arrow) buttons to select a channel in the lock column, and then press the **OK** button.
- 5 You must enter your PIN code to lock channels.

**NOTE** If no PIN code has been set, a warning appears. See, “Setting the PIN code” on page 74.

- 6 The box is selected. To clear the selection, press the **OK** button.

## Locking video inputs

You can lock video inputs. You cannot view the input sources until you unlock the inputs by entering the PIN code.

- 1 Press the **SETUP** button.
- 2 Select **Options > Parental Control and Locks**.
- 3 Press the **OK** button.
- 4 Enter your 4-digit PIN code.
- 5 Press the **▲/▼** (arrow) buttons to select **Input Lock** and press the **OK** button.
- 6 Press the **▲/▼** (arrow) buttons to select **Video** or **Off**.

---

<i>Mode:</i>	<i>Description:</i>
Video	Locks Video 1, Video 2, ColorStream HD, HDMI 1, HDMI 2, HDMI 3, HDMI 4, and PC.
Off	Unlocks all video inputs.

---

## Setting a time limit for games

You can use the GameTimer<sup>®</sup> to set a time limit for playing a video game. When the time expires, the TV locks all external inputs.

- 1 Press the **SETUP** button.
- 2 Select **Timers > GameTimer**.
- 3 Press the **OK** button.
- 4 Enter your 4-digit PIN code.
- 5 Press the **▲/▼** (arrow) buttons to select **30**, **60**, **90**, or **120** minutes.
- 6 To cancel the timer, select **Off**.

**To deactivate the Input Lock once the GameTimer<sup>®</sup> has activated it:**

- ❖ Set the Input Lock to Off, see “Locking video inputs” on page 80.

- 
- NOTE**
- ❖ A message appears when 10 minutes, 3 minutes, and 1 minute are remaining.
  - ❖ If the TV loses power with time remaining, the TV will enter Input Lock mode when power is restored (as if the GameTimer had been activated). You must deactivate the Input Lock, see “Locking video inputs” on page 80.
-



## Locking the control panel

You can lock the control panel to prevent your settings from being changed accidentally (by children, for example). When Panel Lock is set to **On**, none of the controls on the control panel operate except **POWER**.

- 1 Press the **SETUP** button.
- 2 Select **Options** > **Panel Lock** and press the **OK** button.
- 3 Press the **▲/▼** (arrow) buttons to select **On**.

---

**NOTE** When Panel Lock is set to **On**, "Panel Lock" appears on screen when the buttons on the TV control panel are pressed. Unless the TV is in "Active Standby", then control panel **POWER** button can turn on the TV

---

**To unlock the control panel:**

- ❖ Select **Off** in Step 3 above.

## Using HDMI™ CEC Control

This feature uses CEC technology and allows you to control Toshiba HDMI™ CEC compatible devices from the TV remote control via HDMI™ connection.

When **Enable HDMI CEC Control** in the HDMI CEC Control Setup menu is set to **On**, the following HDMI™ CEC Control functions are enabled.

### To set HDMI™ CEC Control Setup

- 1 Press the **SETUP** button.
- 2 Select **Options** > **HDMI CEC Control Setup** and press the **OK** button.
- 3 Press the **▲/▼** (arrow) buttons to select **Enable HDMI CEC Control** and press the **OK** button.
- 4 Press the **▲/▼** (arrow) buttons to select **On**.

---

**NOTE** If you set **Enable HDMI CEC Control** to **Off**, the other items under HDMI CEC Control Setup will be grayed out.

---

- 5 Press the **▲/▼** (arrow) buttons to select an item and press the **OK** button.  
Press the **▲/▼** (arrow) buttons to select **On** or the desired mode:
  - ❖ TV Auto Power: **On/Off**
  - ❖ Auto Standby: **On/Off**

- ❖ Amplifier Control: **On/Off**
- ❖ Initial Speaker Setting: **TV Speakers/Amplifier**

**NOTE** These functions depend on the connected devices.

## Controlling HDMI™ CEC playback devices

With your TV's remote control, you can control the connected HDMI™ CEC playback device (DVD player, etc.) you are watching.

<i>Button:</i>	<i>Description:</i>
▶	Begins playback
■	Stops playback
	Pauses the picture during play or record mode
▶▶	Skips forward.
◀◀	Skips backward.
▶▶▶	Fast forward
◀◀◀	Rewind/reverse
▲ ▼ ◀ ▶	Menu navigation, etc.
<b>OK</b>	Enters content with a menu
RED, GREEN, YELLOW, BLUE	Controls various operation
0-9 buttons	Controls various operation, e.g. tuning to a specific channel for tuner device.
Channel ▲/▼	Changes to the next available channel up or down in the sequence

**NOTE** These functions depend on the connected devices.

## HDMI™ CEC Player Control menu functions

- 1 Press the **QUICK** button to open the Quick menu.
- 2 Select **HDMI CEC Device Control**, and then press the **OK** button.
- 3 Press the ▲/▼ (arrow) buttons to select the item you want to control, and then press the **OK** button.

<i>Item:</i>	<i>Description:</i>
Power	Turns the selected device On and Off
Root Menu	Accesses the selected device's top menu
Contents Menu	Accesses the content list when the <b>OK</b> button is pressed
Setup Menu	Accesses the device's setup menu
Audio	Select the device's sound
Eject	Ejects the device's media

- 
- NOTE** These functions depend on the connected devices. The HDMI™ CEC Device Control item is not available under the following conditions:
- ❖ A non-HDMI™ input is selected
  - ❖ The **Enable HDMI CEC Control** item is set to **Off**
  - ❖ The connected HDMI™ CEC device is not a playback, recording, or tuner device
- 

## HDMI™ CEC Control input source selection

If an HDMI™ CEC device with HDMI™ switching capability (e.g. an amplifier) is connected to the HDMI™ input, you can select another HDMI™ CEC device that is connected to the master HDMI™ device.

Use the **INPUT** button on the remote control or the control panel, see “Learning about the remote control” on page 50.

## Adjusting the amplifier's audio

Using the TV's remote control, you can adjust or mute the sound volume of your audio system.

- ❖ The **VOL (+ -)** buttons adjust the volume level.
  - ❖ The **MUTE** button turns off the sound.
- 1 Press **SETUP** button.
  - 2 Select **Options > HDMI CEC Control Setup** and press the **OK** button.
  - 3 Press the **▲/▼** (arrow) buttons to select **Initial Speaker Setting** and press the **OK** button.
  - 4 Press the **▲/▼** (arrow) buttons to select **Amplifier**.

- 
- NOTE** Confirm that a connected HDMI™ CEC device (such as DVD player, etc.) is selected for the Amplifier input source.
- 

- 
- NOTE**
- ❖ You can also use this function when the audio system is connected to the TV's DIGITAL AUDIO OUT terminal (not HDMI™ connection). Select a digital audio input mode on the amplifier.
  - ❖ These functions depend on the device connected.
-

## Other HDMI™ CEC Control functions

When **Enable HDMI CEC Control** and all items in the HDMI™ CEC Control Setup menu are set to **On**, the following functions will be enabled:

<i>Item:</i>	<i>Description:</i>
TV Auto Power	If an HDMI™ CEC device is turned on, the TV turns on automatically.
Auto Standby	If the TV is turned off, it will send a message to turn off all of the HDMI™ CEC devices connected to the TV.
Amplifier Control	If <b>Amplifier Control</b> is set to <b>On</b> , you can adjust the sound volume or turn off the sound using the remote control.
Initial Speaker Setting	With this item, you can set your audio output preference to the TV Speakers or the Amplifier. When this item is set to Amplifier, the remote control can be used to adjust or mute the volume of the audio. This item will not be available and set to TV Speakers automatically unless an HDMI™ CEC compatible audio system is connected.

### NOTE

When you turn on the audio system, change its input source, or adjust the sound volume, the sound will be output from the audio system's speakers even if TV Speakers has been selected. Turn the TV off and on again to output the sound from the TV speakers.

## Viewing the HDMI™ signal information

- 1 Press the **SETUP** button.
- 2 Select **Options > HDMI Information Display** and press the **OK** button.
- 3 Press the **▲/▼** (arrow) buttons to select **On**.
- 4 Press the **INFO** button.  
HDMI™ Information is shown (Resolution, Scan Type, Frame Rate, Aspect, Bit Depth, Color Space, RGB/YUV, Chroma Format), and the normal banner and signal information banner appear.

### NOTE

- ❖ The signal information banner will appear when this feature is set to On and you watch an HDMI™ input and press the INFO button. The signal information will disappear after 60 seconds.
- ❖ If you press the INFO button when this feature is set to Off, only the normal banner will appear.

## Using your computer with the TV

### Adjusting the image

If the edges of the picture are hidden, readjust Horizontal Position and Vertical Position. If the picture is affected by interference, readjust Clock Phase and Sampling Clock.

- 1 Select **PC input mode**, see “Selecting the video input to view” on page 71.
- 2 Press the **SETUP** button.
- 3 Select **Picture > Display Settings** and press the **OK** button.
- 4 Press the **▲/▼** (arrow) buttons to select **PC Settings**, and then press the **OK** button.

---

**NOTE** If a computer is not connected or there is no PC input signal, this menu will not be available.

---

- 5 Press the **▲/▼** (arrow) buttons to select an item and press the **OK** button.
  - 6 Press the **◀/▶** (arrow) buttons to make adjustments.
- 

**NOTE** The screen is disrupted momentarily when adjusting the PC settings. This is not a sign of malfunction.

---

<i>Mode:</i>	<i>Description:</i>	<i>Adjustment Range</i>
Horizontal Position	Moves the picture left/right	Within $\pm 10$ from center*
Vertical Position	Moves the picture up/down	Within $\pm 10$ from center*
Clock Phase	Helps to reduce noise and sharpen the picture	Within $\pm 32$ from center*
Sampling Clocks	Helps to reduce noise and minimize periodic vertical stripes on the screen	Within $\pm 5$ from center*

\*The default settings and/or adjustment ranges vary depending on the input signal format.

### To reset the PC Settings:

Select **Reset**, and then press the **OK** button.

## Setting the computer audio

You can output sound from your computer when connecting it to your TV, using the AUDIO IN terminal and PC audio cable.

- 1 Press the **SETUP** button.
  - 2 Select **Options > Input Options** and press the **OK** button.
  - 3 Press the **▲/▼** (arrow) buttons to select **PC/HDMI 2 Audio** and press the **OK** button.
  - 4 Press the **▲/▼** (arrow) buttons to select **PC**.
- 

**NOTE** To apply the setting, switch the input to PC or HDMI 2.

---

## Setting the timer to turn on the TV

You can set the on timer to turn on the TV to a preset channel or input at a preset time.

**To activate the timer:**

- 1 Press the **SETUP** button.
  - 2 Select **Timers > On Timer**.
  - 3 Press the **OK** button.
  - 4 Press the **▲/▼** (arrow) buttons to select **Enable On Timer** and press the **OK** button.
  - 5 Press the **◀/▶** (arrow) buttons to select **On**.
- 

**NOTE** If the **Enable On Timer** is set to **Off**, other menus under **On Timer** cannot be changed.

It can take the TV approximately 60 seconds to turn on through the **ON TIMER** feature.

---

**To set the timer:**

- 1 Press the **SETUP** button.
- 2 Select **Timers > On Timer**.
- 3 Press the **OK** button.
- 4 Set these options to your preference:

---

<i>Item:</i>	<i>Description:</i>
Input	Video input source
Channel	Channel to view
Volume	Volume level
Time until Power On	Desired length of time until the TV turns on: minimum=00:10, maximum=12:00 Press ◀/▶ (arrow) buttons Use the number buttons

---

- 5 Select **Done**, and then press the **OK** button.

---

**NOTE** If you do not operate the TV for 1 hour after it is powered on by the On Timer feature, it turns off.

---

**To cancel the timer:**

- 1 Press the **SETUP** button.
- 2 Select **Timers > On Timer**.
- 3 Press the **OK** button.
- 4 Press the ▲/▼ (arrow) buttons to select **Enable On Timer** and press the **OK** button.
- 5 Press the ◀/▶ (arrow) buttons to select **Off**.

## Setting the sleep timer

You can set the TV to turn off after a specific amount of time (maximum = 12 hours).

**Using the remote control:**

- 1 Press the **SLEEP** button.
- 2 Set the amount of time until the TV turns off.
  - ❖ Repeatedly press the **SLEEP** button to increase the time.
  - ❖ Press the ▲/▼ (arrow) buttons to increase or decrease the time.

**Using the on-screen menus:**

- 1 Press the **SETUP** button.
- 2 Select **Timers > Sleep Timer**.
- 3 Press the **OK** button.
- 4 Select the amount of time until the TV turns off.
  - ❖ Use the number buttons.
  - ❖ Press the ▲/▼ (arrow) buttons to increase or decrease the time.

---

**NOTE** If a power failure occurs, the sleep timer setting may be cleared.

---

To display the time remaining until the TV turns off, press the **SLEEP** button.

To cancel the sleep timer, press the **SLEEP** button repeatedly or press the **▲/▼** (arrow) buttons until it is set to 0 minutes.

---

**NOTE** When the following features are set, the feature that is set for the nearest time will function.

- ❖ Sleep Timer
- ❖ Auto shutdown after 1 hour of inactivity (after powering on by On Timer)
- ❖ No signal auto power off (after approximately 15 minutes of no signal)

---

## Setting No Signal Power Down

When an input's setting in this feature is set to **On**, The TV will automatically turn itself off after about 15 minutes if no signal is detected.

You can change each input's setting to **Off**: ANT/CABLE, Video 1, Video 2, ColorStream HD, HDMI 1, HDMI 2, HDMI 3, HDMI 4, or PC.

- 1 Press the **SETUP** button.
  - 2 Select **Options > Power Management > No Signal Power Down**, and then press the **OK** button.
  - 3 Press the **▲/▼** (arrow) buttons to select the item you want to change and press the **OK** button.
  - 4 Press the **▲/▼** (arrow) buttons to select **On** or **Off**.
  - 5 Press the **EXIT** button.
- 

**NOTE**

- ❖ Default setting for each input is **On**.
- ❖ A warning message will appear 1 minute before turning off.

---



## Setting TV Power On Control

When the TV is connected to the home network via Wireless LAN with the **TV Power On Control** in **Enabled**, your TV can be turned on by control from Apps.

- 1 Press the **SETUP** button.
- 2 Select **Options > Power Management > TV Power On Control** and press the **OK** button.
- 3 Press the **▲/▼** (arrow) buttons to select **Enabled** (Active Standby).

- 
- NOTE**
- ❖ Depending on the device connected to the home network, it may take a while for the TV to turn on.
  - ❖ Depending on the device connected to the home network, this feature may not work.
  - ❖ If the unencrypted Wireless Setup is done, this feature can not be used.
  - ❖ The power consumption during Active Standby is more than it during Normal Standby.
  - ❖ After the change from Power On state to Active Standby, there may be a period of several seconds when the TV does not receive the operation from a remote control or external apparatus.
- 

## Displaying TV status information

To display TV status information, press the **INFO** button.

The following information will be displayed (if applicable):

- ❖ Current input (**ANT/CABLE**, **Video**, etc.)
- ❖ Either “**CABLE**” (for cable TV) or “**ANT**” (for over-the-air broadcasts), if **ANT/CABLE** is the current input
- ❖ Channel number (if in **ANT/CABLE** mode)
- ❖ Input label (if set)
- ❖ Digital signal strength indicator (for ATSC/QAM signals only)
- ❖ Stereo, Mono, or SAP audio status (when in HDMI™ input mode, PCM)
- ❖ Video resolution
- ❖ Aspect ratio of incoming video signal (4:3 or 16:9)
- ❖ V-Chip rating status (if available)
- ❖ GameTimer (if set)
- ❖ Channel Label (if set or received)

To close the screen, press the **INFO** button again.

The following additional information (only available for ANT/CABLE input) will display for digital channels (if applicable):

- ❖ Title
- ❖ Duration
- ❖ Detailed description
- ❖ Next program's information

## Viewing support information

- 1 Press the **SETUP** button.
- 2 Select **Get Help > System Information**.
- 3 Press the **OK** button to display support information containing Web/Customer service numbers for US, Canada, and Mexico.

## Resetting to Factory Defaults

You can reset all settings and channels to Factory Defaults.

- 1 Press the **SETUP** button.
- 2 Select **Installation > Reset TV**.
- 3 Enter your PIN code (if a PIN code has been set).  
A confirmation screen appears.
- 4 Select **Yes**, and then press the **OK** button.  
The TV will turn off automatically.

**To cancel the reset:**

- ❖ Press the ◀/▶ (arrow) buttons to select **No**, and then press the **OK** button.

## Power failure

If power is lost while you are watching the TV, the Last Mode Memory feature automatically turns on the TV when power is restored.