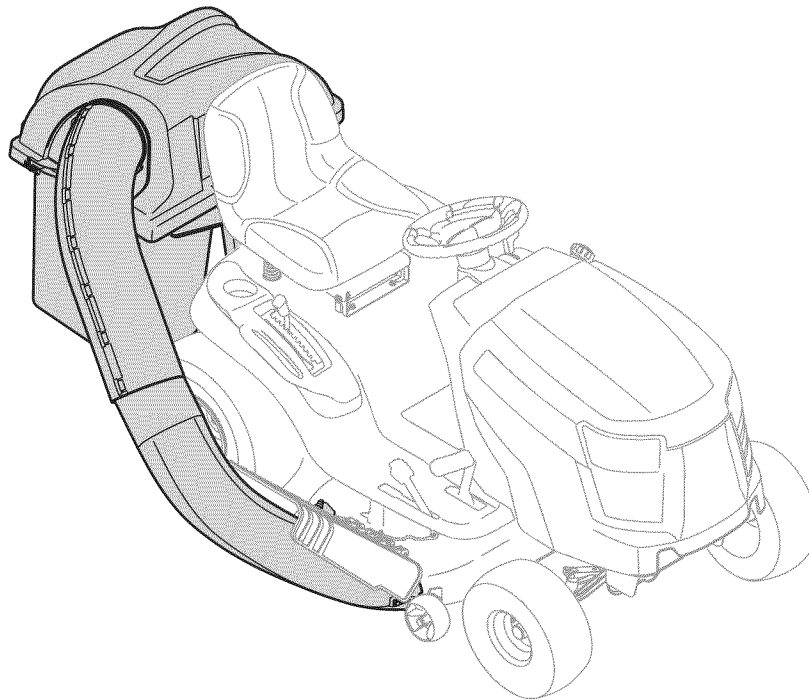


Operator's Manual



TWO BIN BAGGER

Model No. 247.240193



- Espanol, p. 18

IMPORTANT:

Read and follow all Safety Rules and Instructions before operating this equipment.

For answers to your questions about this product, call:

1-800-659-5917

Craftsman Tractor Help Line

7 am - 7 pm CT, Mon. - Sun.

Sears Brands Management Corporation, Hoffman Estates, IL 60179 U.S.A.

Visit our website: www.craftsman.com

Form No. 769-08766

(February 1, 2013)

TABLE OF CONTENTS

Safe Operation Practices	3-4
Slope Guide	5
Contents of Carton & Hardware Packs	6-7
Assembly and Installation	8-14
Operation	15
Parts List.....	16-17
Español.....	18

CRAFTSMAN ONE YEAR FULL WARRANTY

FOR ONE YEAR from the date of purchase, this product is warranted against any defects in material or workmanship. A defective product will be replaced free of charge.

For warranty coverage details to obtain free replacement, visit the web site: www.craftsman.com

This warranty is void if this product is ever used while providing commercial services or if rented to another person.

This warranty gives you specific legal rights, and you may also have other rights which vary from state to state.

Sears Brands Management, Hoffman Estates, IL 60179

SAFETY INSTRUCTIONS

WARNING

This symbol points out important safety instructions which, if not followed, could endanger the personal safety and/or property of yourself and others. Read and follow all instructions in this manual before attempting to operate this machine. Failure to comply with these instructions may result in personal injury. When you see this symbol, HEED ITS WARNING!

WARNING

CALIFORNIA PROPOSITION 65

Engine Exhaust, some of its constituents, and certain vehicle components contain or emit chemicals known to State of California to cause cancer and birth defects or other reproductive harm.
Battery posts, terminals, and related accessories contain lead and lead compounds, chemicals known to the State of California to cause cancer and reproductive harm. Wash hands after handling.

DANGER

This machine was built to be operated according to the safe operation practices in this manual. As with any type of power equipment, carelessness or error on the part of the operator can result in serious injury. This machine is capable of amputating fingers, hands, toes and feet and throwing debris. Failure to observe the following safety instructions could result in serious injury or death.

WARNING

Your Responsibility—Restrict the use of this power machine to persons who read, understand and follow the warnings and instructions in this manual and on the machine.

SAVE THESE INSTRUCTIONS!

GENERAL OPERATION

- Read, understand, and follow all instructions on your equipment and in their manuals before attempting to assemble and operate. Keep this manual in a safe place for future and regular reference and for ordering replacement parts.
- To help avoid blade contact or a thrown object injury, keep bystanders, helpers, children and pets at least 75 feet from the mower while it is in operation. Stop machine if anyone enters the area.
- Thoroughly inspect the area where the equipment is to be used. Remove all stones, sticks, wire, bones, toys, and other foreign objects which could be picked up and thrown by the blade(s). Thrown objects can cause serious personal injury.
- Always wear safety glasses or safety goggles during operation and while performing an adjustment or repair to protect your eyes. Thrown objects which ricochet can cause serious injury to the eyes.
- Do not operate the mower without the discharge cover or entire grass catcher in its proper place. A missing or damaged discharge cover or grass bag attachment component may result in thrown objects or blade contact injuries.
- Do not put hands or feet near rotating parts or under the cutting deck. Contact with the blade(s) can amputate hands and feet.
- Shut off mower's engine and wait for blades to come to a complete stop before unclogging mower's discharge opening or bagger parts.
- Slow down before turning. Operate the machine smoothly. Avoid erratic operation and excessive speed. Be aware that a grass catcher attachment can affect the handling characteristics of your mower.
- Disengage blade(s), set parking brake, stop engine and wait until the blade(s) come to a complete stop before opening bagger attachment's top cover, removing grass catcher, emptying grass, unclogging chute, removing any grass or debris, or making any adjustments.

- Never leave a running machine unattended. Always turn off blade(s), place transmission in neutral, set parking brake, stop engine and remove key before dismounting.
- Your machine is designed to cut normal residential grass of a height no more than 10". Do not attempt to mow through unusually tall, dry grass (e.g., pasture) or piles of dry leaves. Dry grass or leaves may contact the engine exhaust and/or build up on the mower deck presenting a potential fire hazard.
- If situations occur which are not covered in this manual, use care and good judgment.

SLOPE OPERATION

Slopes are a major factor related to loss of control and tip-over accidents which can result in severe injury or death. All slopes require extra caution. If you cannot back up the slope or if you feel uneasy on it, do not mow it.

For your safety, use the Slope Guide included as part of this manual to measure slopes before operating this machine on a sloped or hilly area. If the slope is greater than 10 degrees as shown on the Slope Guide, do not operate this machine on that area or serious injury could result.

Do:

- Mow up and down slopes, not across. Exercise extreme caution when changing direction on slopes.
- Watch for holes, ruts, bumps, rocks, or other hidden objects. Uneven terrain could overturn the machine. Tall grass can hide obstacles.
- Use slow speed. Choose a low enough speed setting so that you will not have to stop or shift while on the slope. Tires may lose traction on slopes even though the brakes are functioning properly. Always keep machine in gear when going down slopes to take advantage of engine braking action.
- Follow the manufacturer's recommendations for wheel weights or counterweights to improve stability.

SAFETY INSTRUCTIONS

- Keep all movement on the slopes slow and gradual. Do not make sudden changes in speed or direction. Rapid engagement or braking could cause the front of the machine to lift and rapidly flip over backwards which could cause serious injury.
- Avoid starting or stopping on a slope. If tires lose traction, disengage the blade(s) and proceed slowly straight down the slope.

Do Not:

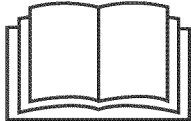

- Do not turn on slopes unless necessary; then, turn slowly and gradually downhill, if possible.
- Do not mow near drop-offs, ditches or embankments. The mower could suddenly turn over if a wheel is over the edge of a cliff, ditch, or if an edge caves in.
- Do not try to stabilize the machine by putting your foot on the ground.
- Do not use a grass catcher on steep slopes.
- Do not mow on wet grass. Reduced traction could cause sliding.

GENERAL SERVICE

- Before cleaning, repairing, or inspecting, make certain the blade(s) and all moving parts have stopped. Disconnect the spark plug wire and ground against the engine to prevent unintended starting.
- Keep all nuts, bolts, and screws tight to be sure the equipment is in safe working condition.
- Never tamper with your mower's safety interlock system or other safety devices. Check their proper operation regularly.
- Never attempt to make adjustments or repairs while the mower's engine is running.
- Grass catcher components and the discharge cover are subject to wear and damage which could expose moving parts or allow objects to be thrown. For safety protection, frequently check components and replace immediately with original equipment manufacturer's (O.E.M.) parts only, listed in this manual. Use of parts which do not meet the original equipment specifications may lead to improper performance and compromise safety!
- Maintain or replace safety and instruction labels, as necessary.

SAFETY SYMBOLS

This page depicts and describes safety symbols that may appear on this product. Read, understand, and follow all instructions on the machine before attempting to assemble and operate.

Symbol	Description
	READ THE OPERATOR'S MANUAL(S) Read, understand, and follow all instructions in the manual(s) before attempting to assemble and operate
	STOP Turn off the engine before opening the bagger cover.



WARNING: Your Responsibility—Restrict the use of this power machine to persons who read, understand and follow the warnings and instructions in this manual and on the machine.

SAVE THESE INSTRUCTIONS!

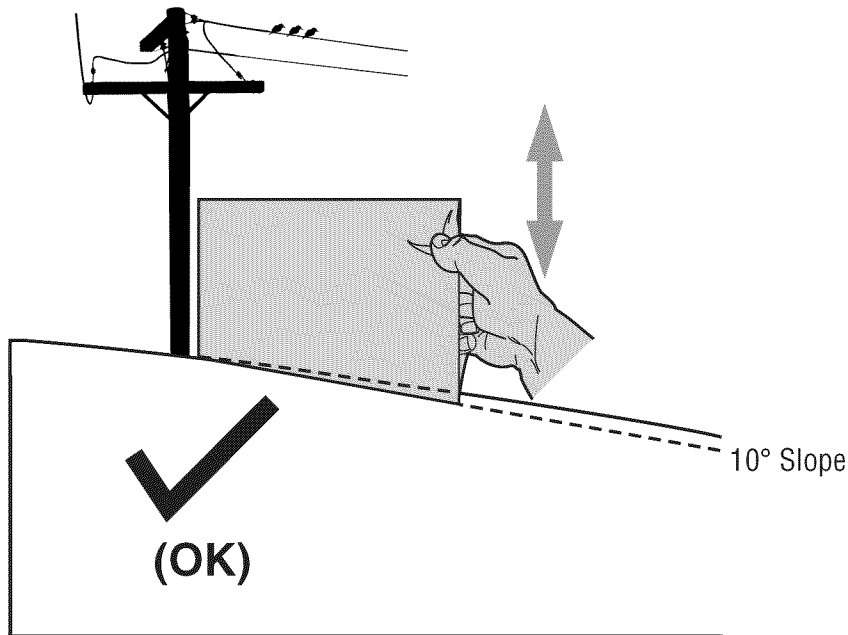


Figure 1

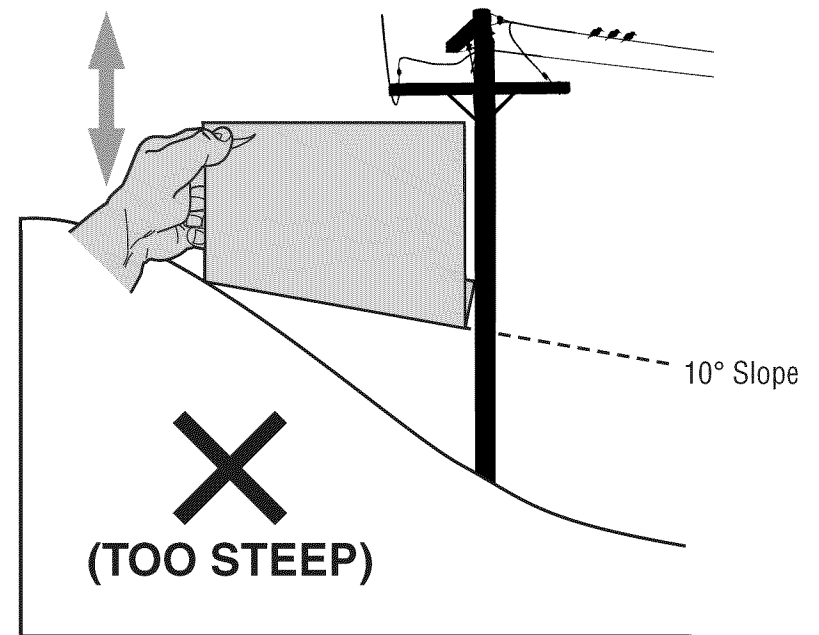
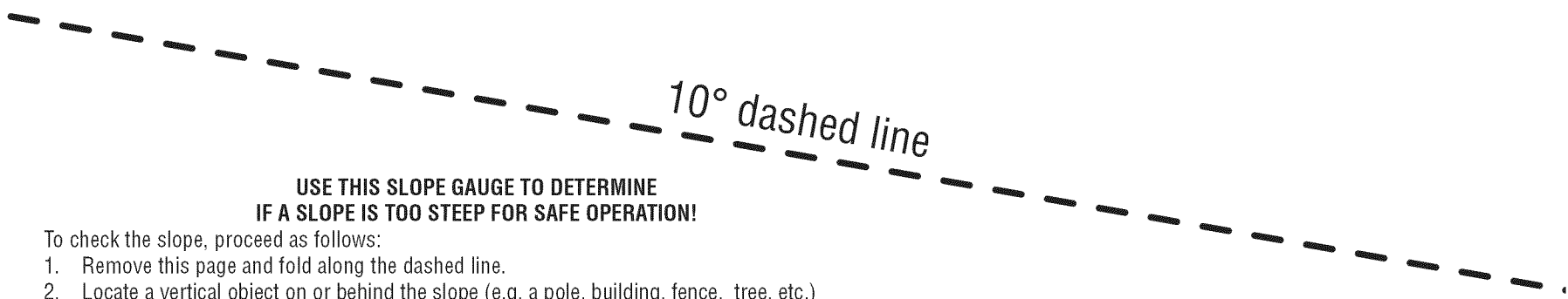


Figure 2



**USE THIS SLOPE GAUGE TO DETERMINE
IF A SLOPE IS TOO STEEP FOR SAFE OPERATION!**

To check the slope, proceed as follows:

1. Remove this page and fold along the dashed line.
2. Locate a vertical object on or behind the slope (e.g. a pole, building, fence, tree, etc.)
3. Align either side of the slope gauge with the object (See Figure 1 and Figure 2).
4. Adjust gauge up or down until the left corner touches the slope (See Figure 1 and Figure 2).
5. If there is a gap below the gauge, the slope is too steep for safe operation (See Figure 2 above).

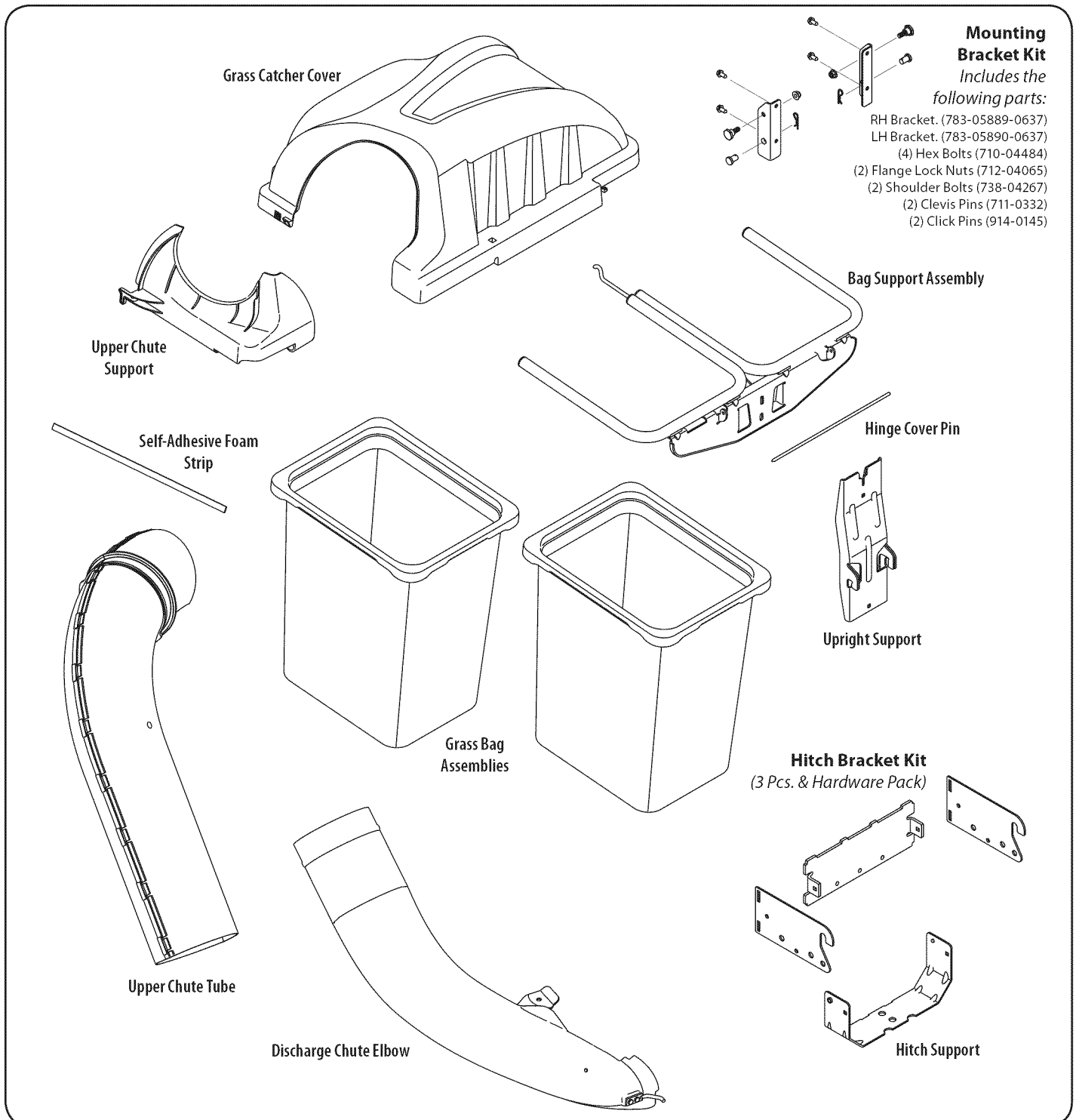
⚠ WARNING

Slopes are a major factor related to tip-over and roll-over accidents which can result in severe injury or death. Do not operate machine on slopes in excess of 10 degrees. All slopes require extra caution. If you cannot back up the slope or if you feel uneasy on it, do not mow it. Always mow up and down the face of slopes, never mow across the face of slopes.

CONTENTS OF CARTON

Before beginning installation, remove all parts from the carton to make sure everything is present. Carton contents are listed and shown below. Two hardware packs are included in this kit and are detailed on the following page.

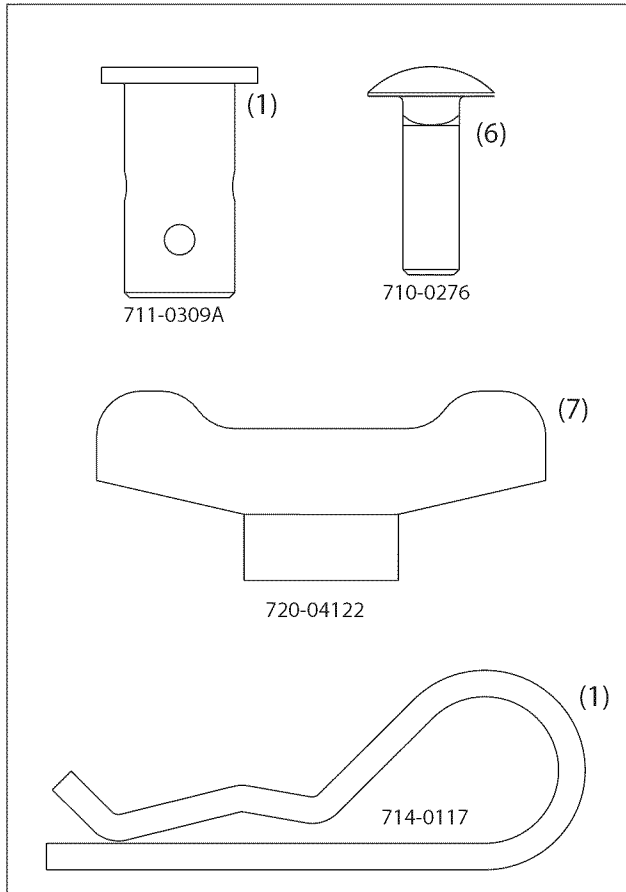
- Hitch Bracket Kit (3 brackets)
- Mounting Bracket Kit (2 brackets & hardware)
- Hitch Support
- Discharge Chute Elbow
- Grass Catcher Cover Assembly
- Two Grass Bag Assemblies
- Upper Chute Tube
- Self-Adhesive Foam Strip
- Upper Chute Support
- Hinge Cover Pin
- Upright Support
- Bag Support Assembly
- Two Hardware Packs (Detailed & Pictured on next page)



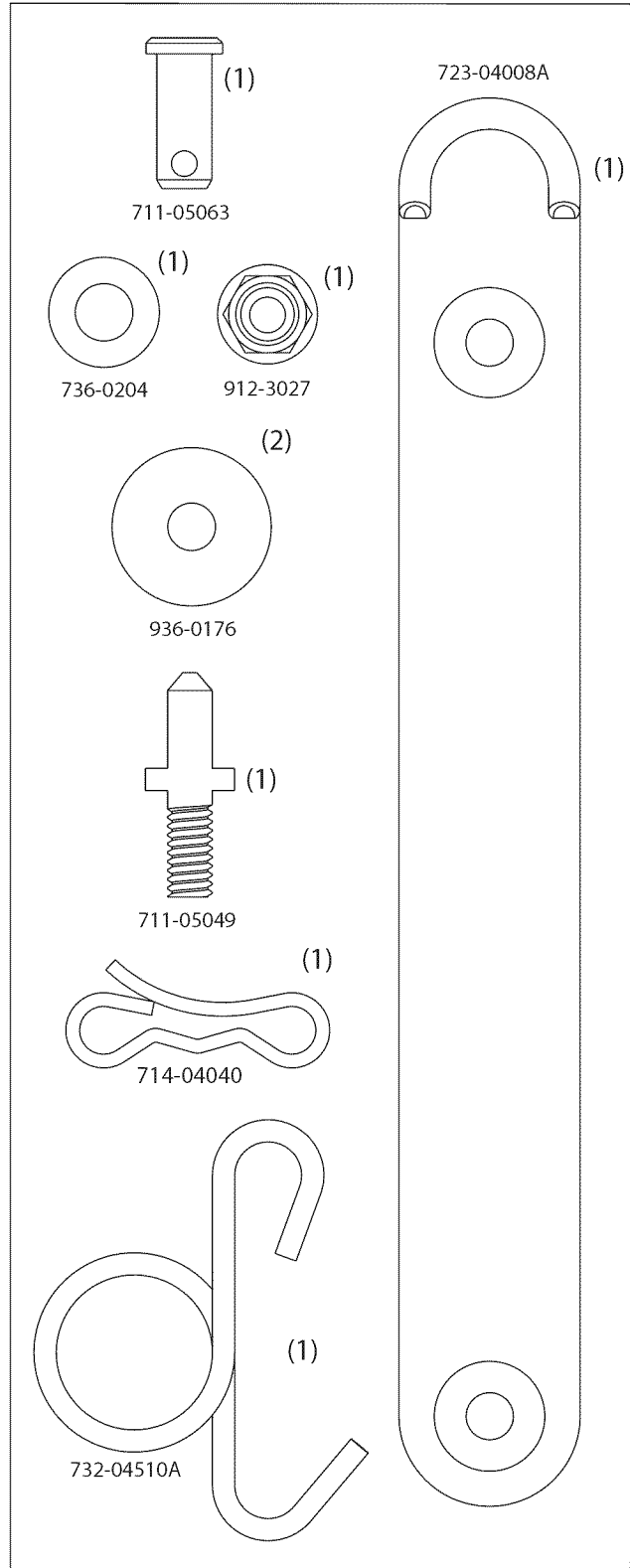
CONTENTS OF HARDWARE PACKS

Este kit de césped se suministra con dos números de referencias de clientes encerrados. Se recomienda consultar los números de referencia de los clientes contra las siguientes ilustraciones. Las cantidades de cada artículo se indica entre paréntesis, mientras que el número aparece junto a cada ítem.

Hardware Pack for 689-00312



Hardware Pack 689-00313



ASSEMBLY AND INSTALLATION

Assembling the Mounting Hardware

1. If not already installed by the factory, install a shoulder bolt from your hardware pack onto each bracket, securing them with flange lock nuts also included in the hardware pack included with these brackets. Refer to Figure 1.
2. If already installed in the brackets, remove the clevis pins and clips, retain for later instructions. Refer to Figure 1.

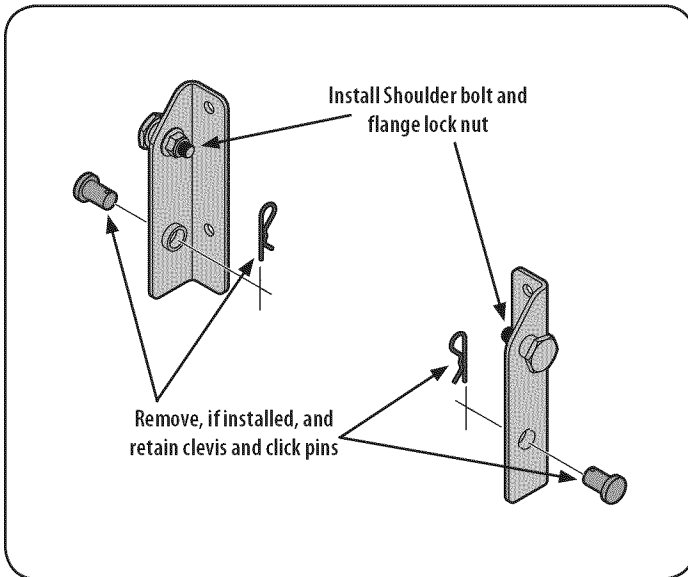


Figure 1

3. Mount the brackets to your tractor using four self-tapping hex screws included with your mounting bracket kit. See Figure 2.

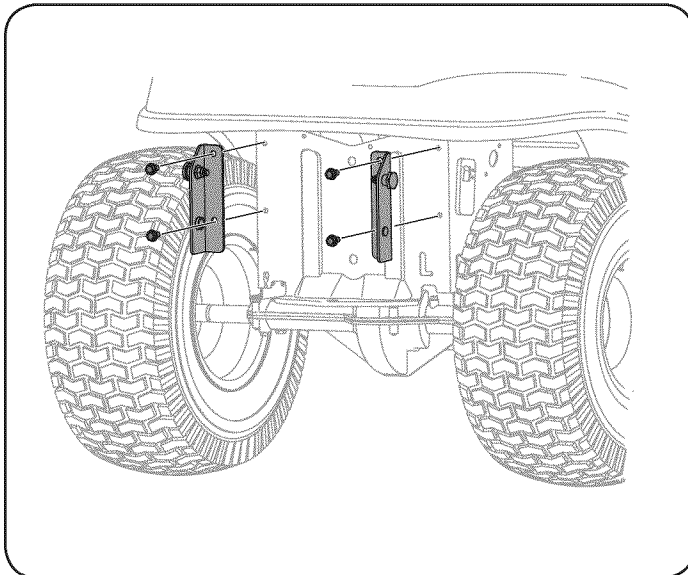


Figure 2

Assemble Mounting Brackets

To assemble the bagger mounting assembly, locate the hitch bracket kit and follow these steps:

1. Attach the two hitch side brackets to the universal rear attachment bracket using two carriage bolts (710-0276) and wing knobs (720-04122) from hardware pack 689-00312. See Figure 3.

Note: The hooks on the side brackets should point downwards and the tabs on the rear plate point upwards as shown in Figure 3.

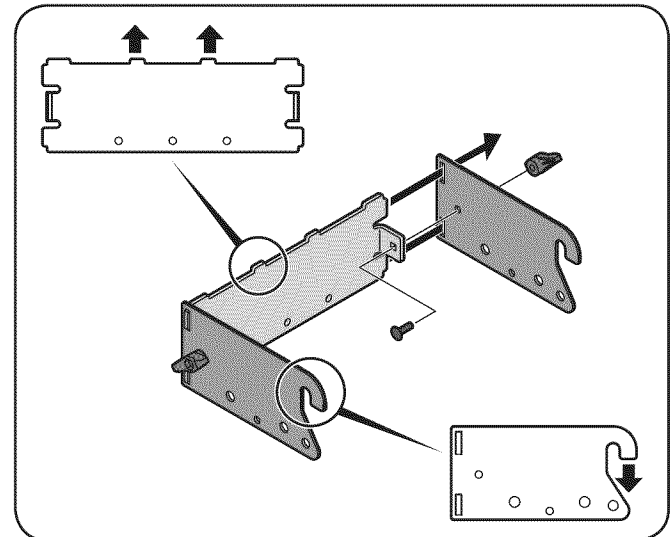


Figure 3

2. Flip over assembly and mount the hitch support bracket to the mounting assembly using one carriage bolt (710-0276) and wing knob (720-04122) per side from hardware pack 689-00312.

IMPORTANT: Mount the hitch support using the hole indicated in Figure 4.

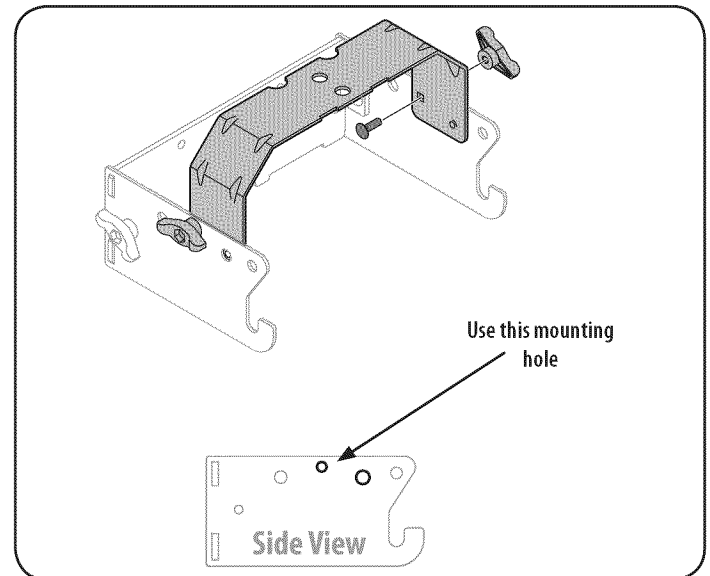


Figure 4

Note: It might be easier during the mounting stage to leave this hardware only finger tight to facilitate lining up the hitch hole for the clevis pin. You will be instructed to tighten this hardware later in this manual.

ASSEMBLY AND INSTALLATION

Mount Assembly on Tractor

Install the mounting assembly on the tractor as follows:

1. Place the hooked ends of the bagger mounting assembly over the shoulder bolts on the mounting brackets previously installed on the tractor in Figure 1.
2. Install the two clevis pins (711-0332) and secure to the mounting brackets with two click pins (914-0145) included with the mounting bracket kit.

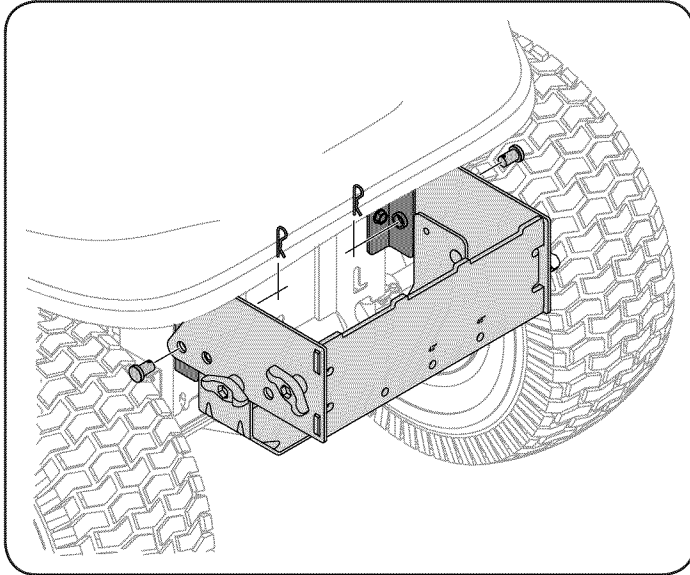


Figure 5

3. Install the clevis pin (711-0309A) from hardware pack 689-00312 into the tractor's hitch and the assembly's hitch support and secure with a hairpin clip (714-0117). See Figure 6.

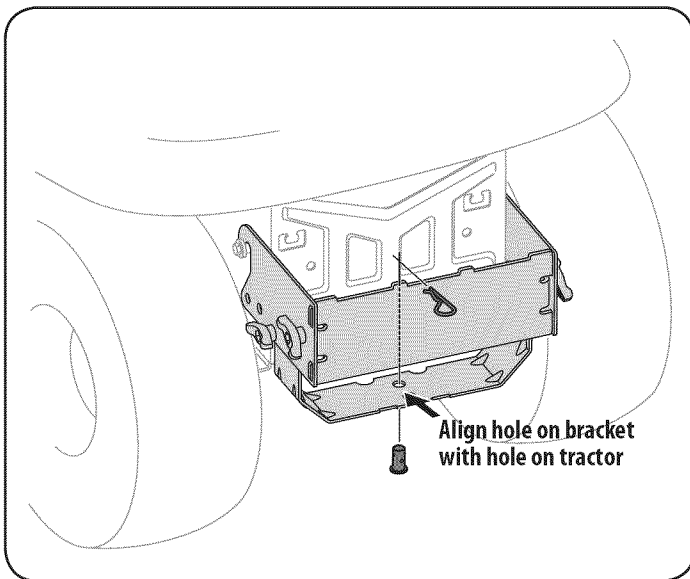


Figure 6

Note: The clevis pin can be fed down through the hitch support and secured underneath with the hairpin clip, or it may be easier to feed the clevis pin up through the hitch plate hole and secure with the hairpin clip on the top side.

4. Tighten all of the hardware on the mounting bracket assembly and hitch support at this time.

5. Install the upright support bracket onto the mounting assembly on the tractor by hooking it over the cross mounting bracket and aligning it with the mounting hole indicating the deck size your machine is equipped with, as shown in Figure 7.

Note: The mounting bracket includes a stamping above each mounting hole indicating which position to mount the upright bracket. See the inset of Figure 7.

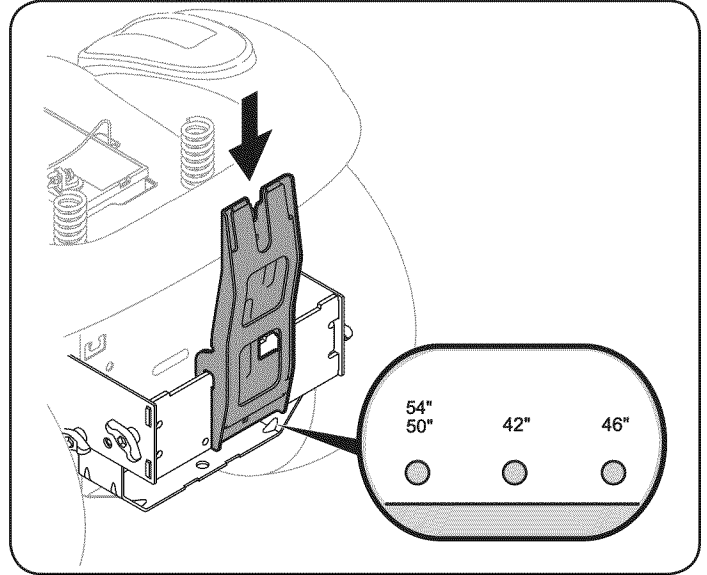


Figure 7

6. Secure the bag support assembly to the mounting assembly using a carriage bolt (710-0276) and wing knob (720-04122) from hardware pack 689-00312.

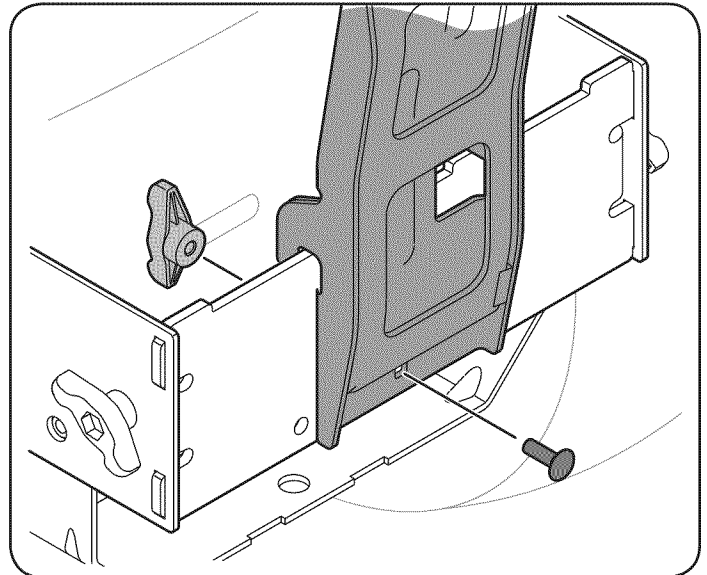


Figure 8

ASSEMBLY AND INSTALLATION

7. Install the hanger assembly onto the upright support bracket using a carriage bolt (710-0276) and wing knob (720-04122) from hardware pack 689-00312. See Figure 9.

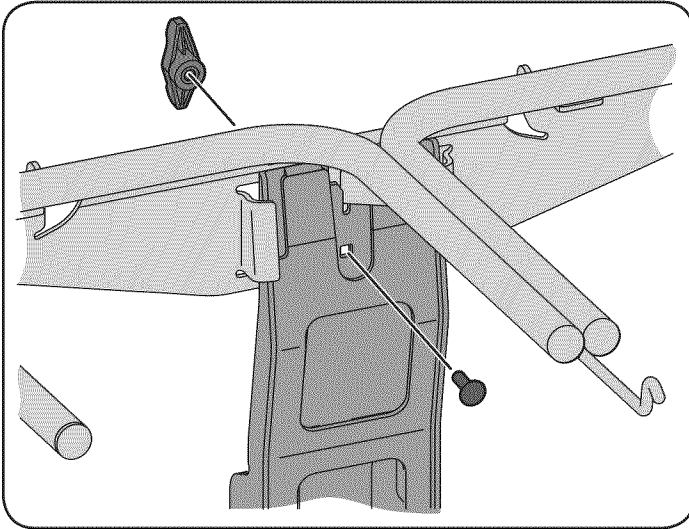


Figure 9

Assembling Remaining Bagger Components

Now that the mounting brackets are assembled and are in place on the tractor, follow these steps to assemble the remaining bagger components.

1. Snap the plastic upper chute support in place by first clipping the side portion onto the bag support rail with the edge of the snap feature aligned with the red line (1), as shown in the inset of Figure 10.
2. Snap the front portion of the upper chute support to the bag support rail as seen in 2 of Figure 10.

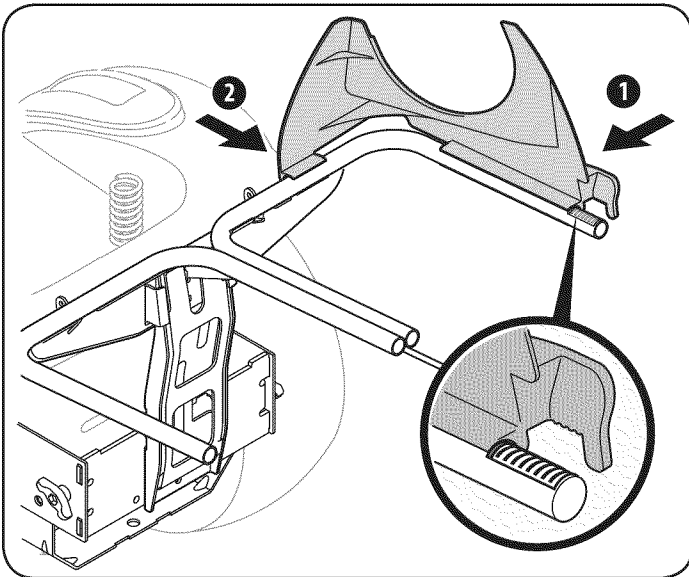


Figure 10

3. Install the grass catcher cover onto the bag support assembly, as seen in Figure 11. The grass catcher cover goes inside of the two mounting tabs on the bag support assembly.

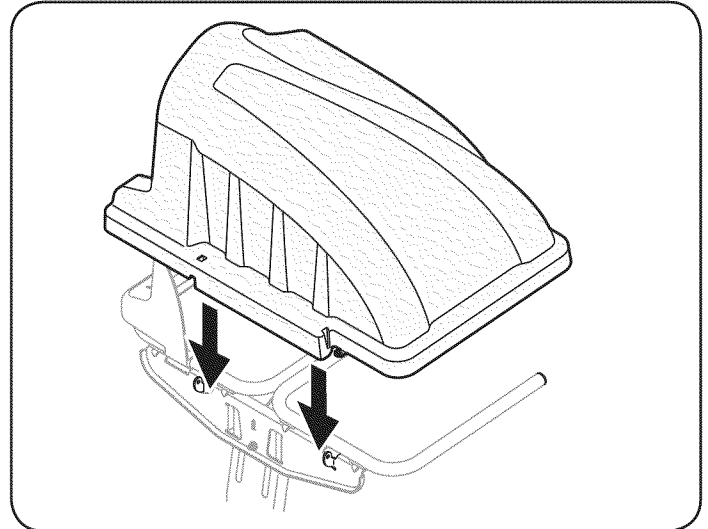


Figure 11

4. Slide the hinge pin into the hole located on the mounting tab, as in Figure 12. Use the cut-out window (See inset in Figure 12) to line up the hinge pin on the other side and push pin all the way in until it reaches the end-stop. At this point the pin clips into place and is secured by a tab in the bagger cover. See Figure 13.

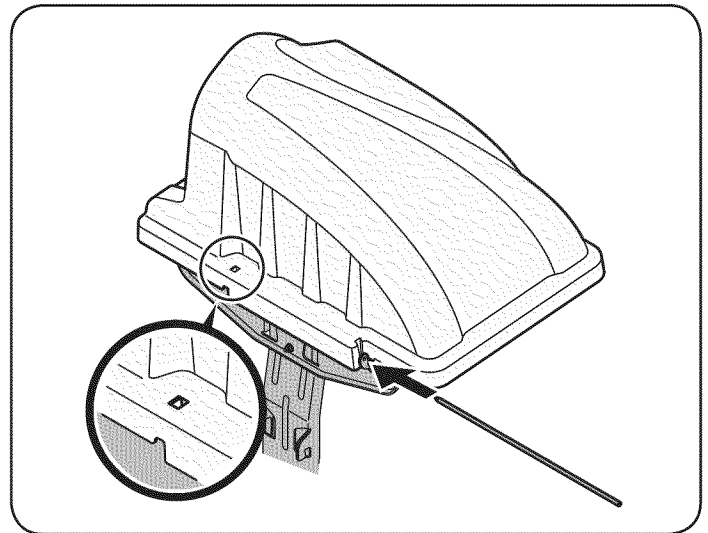


Figure 12

ASSEMBLY AND INSTALLATION

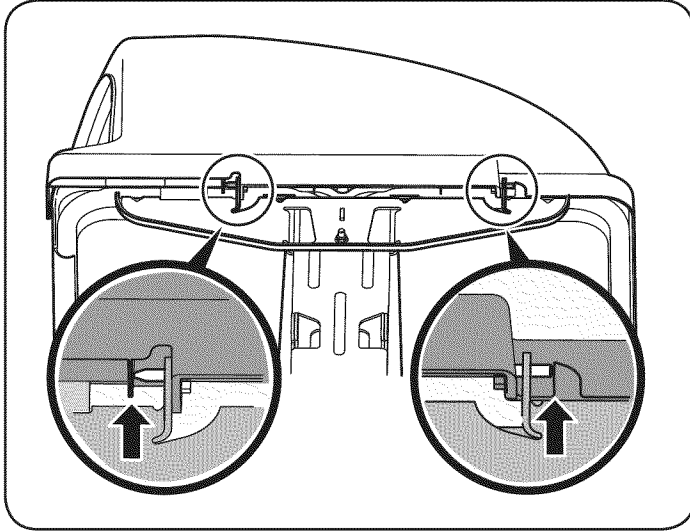


Figure 13

5. Flip seat forward.
6. Open Hood by pushing in on the rear, right-side tab with your right hand, as seen in 1 of Figure 14, and lifting the cover with your left hand in the center rear of the bagger cover, 2.

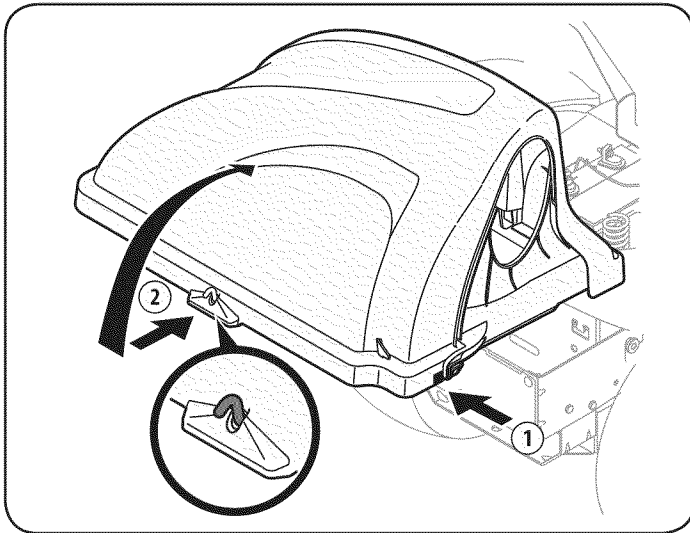


Figure 14

7. Install both grass bags onto the bag support assembly by inserting the front edge in first (1), as seen in Figure 15, and setting the back edge down (2) until it fits into the assembly.

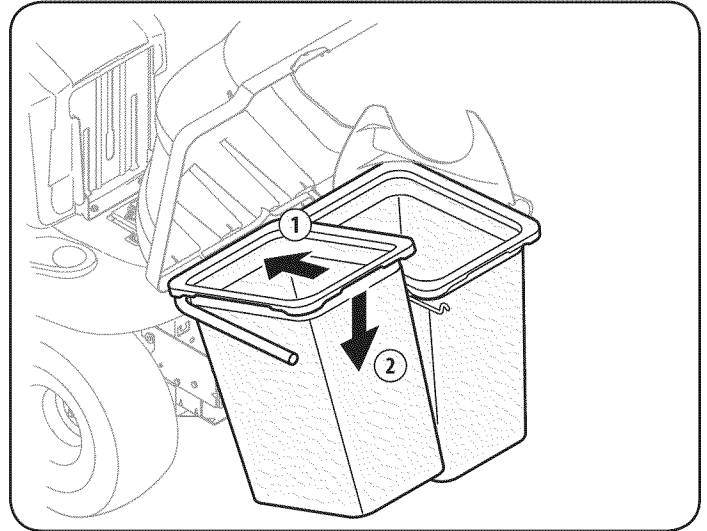


Figure 15

ASSEMBLY AND INSTALLATION

Installing the Deck Chute

Note: Determine if your deck is a newer model, or an older model. Refer to the upper inset of Figure 17. If your deck has a mounting stud present, then you have a newer deck model and you would follow the instructions below. If no stud is present, refer to the instructions titled **On Tractors With Older Deck Configurations** later in this section.

1. With the tractor's discharge chute raised up and held open (1), install the chute elbow by placing the chute elbow mounting rod into the hole provided in either your deck wheel bracket or chute mounting tab (2), as seen in Figure 16.

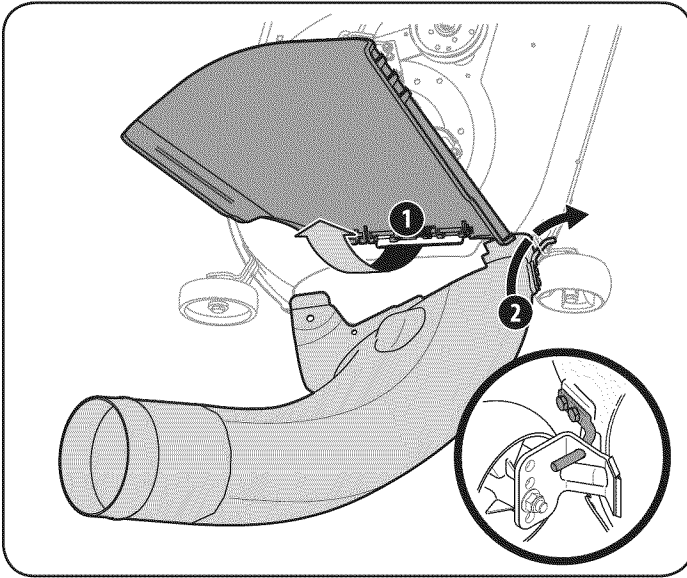


Figure 16

2. Secure the chute elbow to the deck using the wing knob 720-04122 from hardware pack 689-00312. See Figure 17.

Note: If present, remove the protective cap off of the mounting stud on the mowing deck as seen in the upper inset of Figure 17.

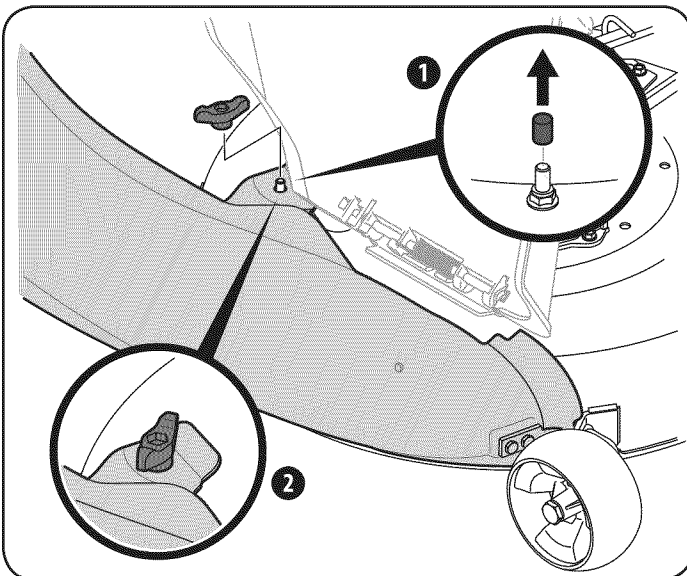


Figure 17

On Tractors with Older Deck Configurations

1. Install the rubber chute strap, from hardware pack 689-00313, onto the chute elbow using the clevis pin (711-05063), washer (736-0204) and Bow-tie cotter pin (714-04040) from hardware pack 689-00313. See Figure 18. Secure the end of the strap utilizing the hole furthest from the end, insert the torsion spring hook (732-04510A) into the other end.

Note: On decks with front deck wheels, the boot mount rod must be removed in order to install this discharge chute elbow onto the tractor. See Figure 18.

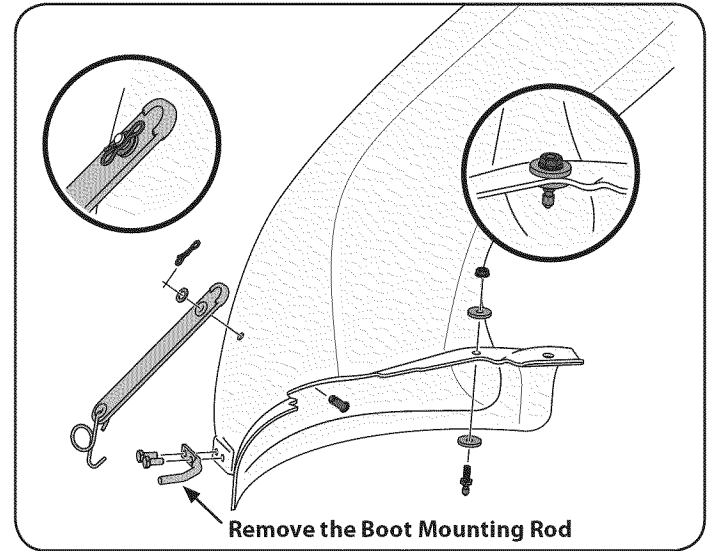


Figure 18

2. Install the deck mounting pin (711-05049) up into the chute elbow using two flat washers (936-0176) from hardware pack 689-00313 and secure with a flange lock nut (912-3027), as seen in Figure 19.
3. With the tractor's discharge chute raised up and held open, install the chute elbow over the chute opening by placing the deck mounting pin in the hole provided, as seen in Figure 19, then secure the elbow to the deck by hooking the retainer strap torsion spring hook over the deck wheel mounting bracket as seen in Figure 20.

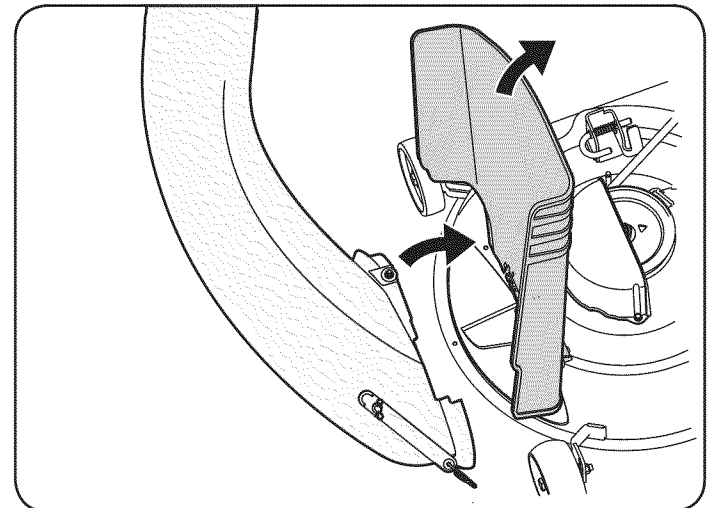


Figure 19

ASSEMBLY AND INSTALLATION

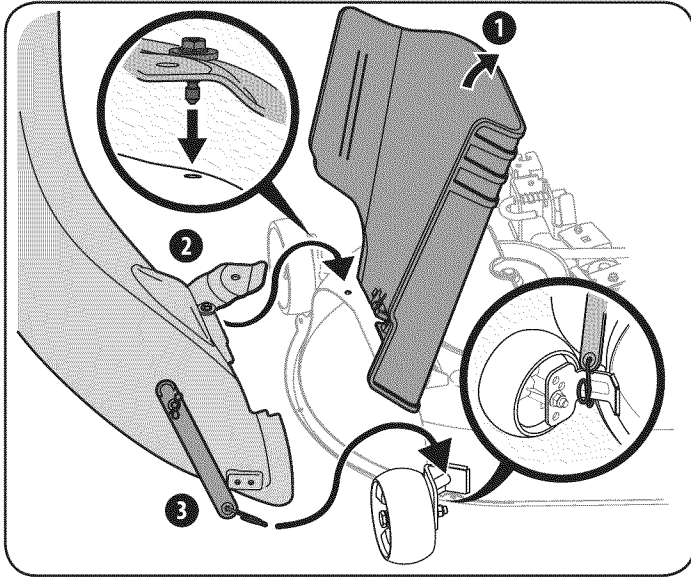


Figure 20

Note: On decks without deck wheels, hook the retainer strap into the hole provided in the flange on the front-side of the cutting deck. See Figure 21.

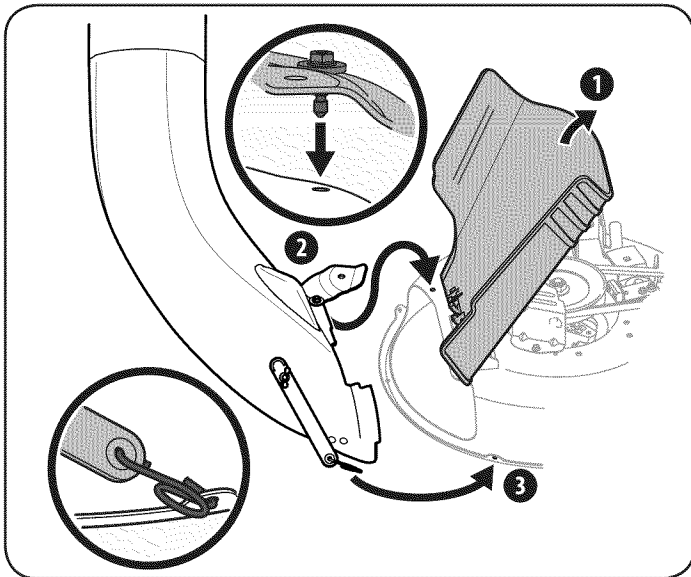


Figure 21

Note: When assembling this bagging unit on an older deck, an extra wing knob, which is only needed on installations on new decks, will be left over.

Installing the Upper Chute Tube

1. Peel the backing off of the self-adhesive foam strip (721-04388) that has been included within your Contents of Carton. Apply it to the upper chute, flush against the flange as shown in Figure 22.

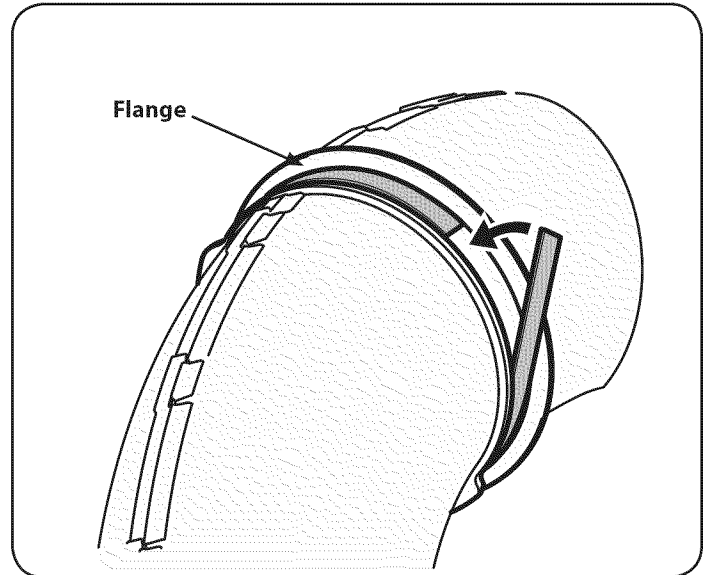


Figure 22

2. With the grass catcher cover open, install the upper discharge chute through the discharge chute opening, as seen in Figure 23.

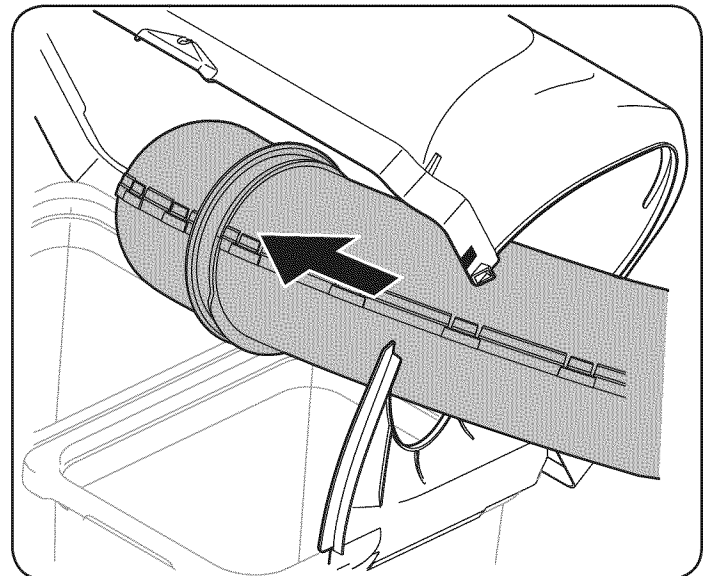


Figure 23

ASSEMBLY AND INSTALLATION

3. With the ability now to wiggle the discharge chute tube back and forth, slide it over the chute elbow mounted on the cutting deck, as shown in Figure 24.

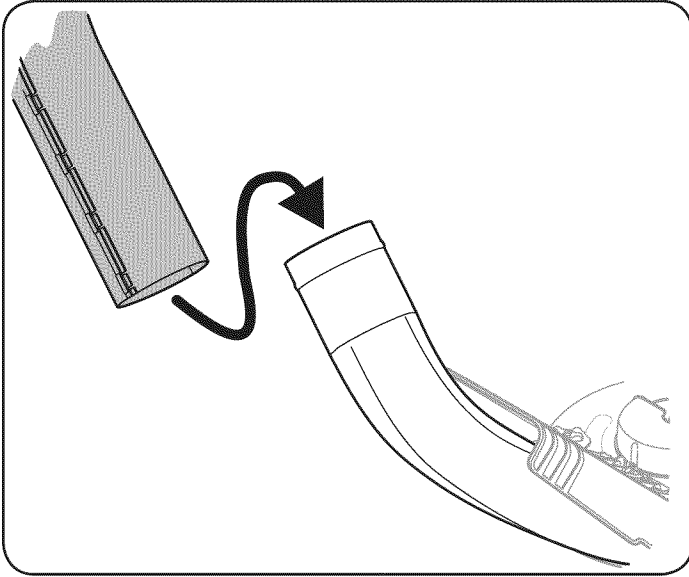


Figure 24

4. Continue to work the discharge chute down over the chute elbow until the groove on the discharge chute aligns with the upper chute support, as seen in the inset of Figure 25.

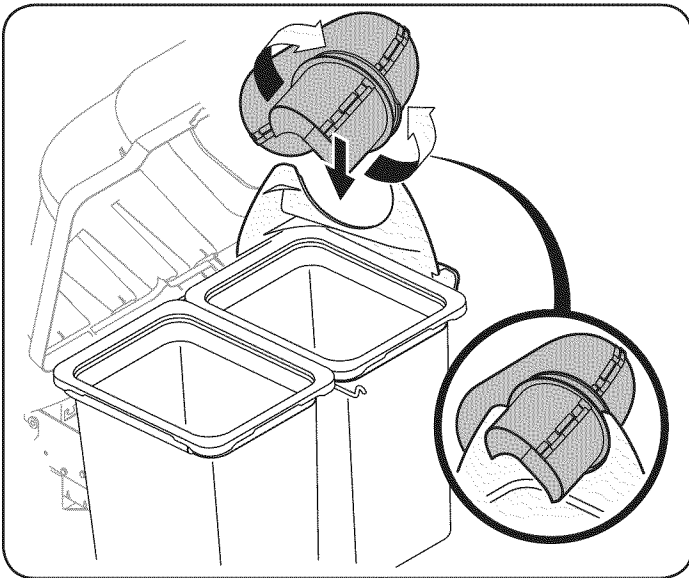


Figure 25

5. Close the grass catcher cover.

OPERATION

Bagger Operation

NOTE: When both grass bags are full, place the tractor on a firm, level surface, disengage the PTO (Blade Engage), turn the tractor engine off and set the parking brake.

1. Flip the seat forward.
2. Open grass catcher cover by pushing in on the rear, right-side tab with your right-hand, as shown in (1) of Figure 26, and lifting with your left-hand in the rear center, (2).

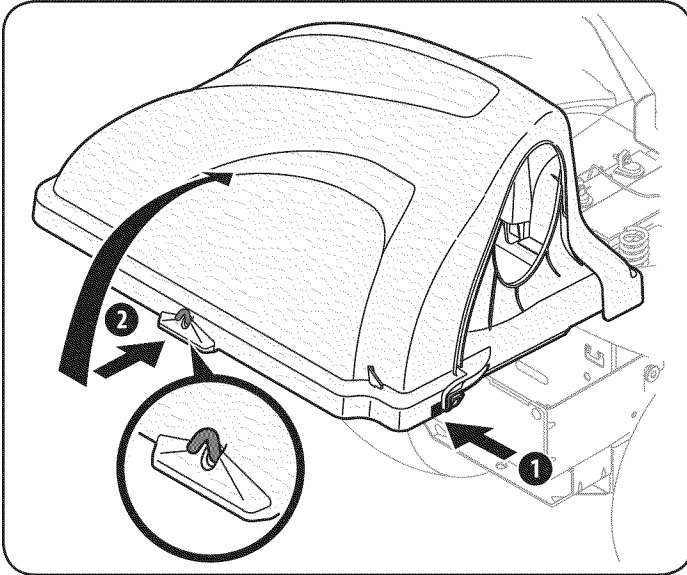


Figure 26

3. Remove the grass bags by lifting them up (1 in Figure 27) and away from the bag support assembly (2).

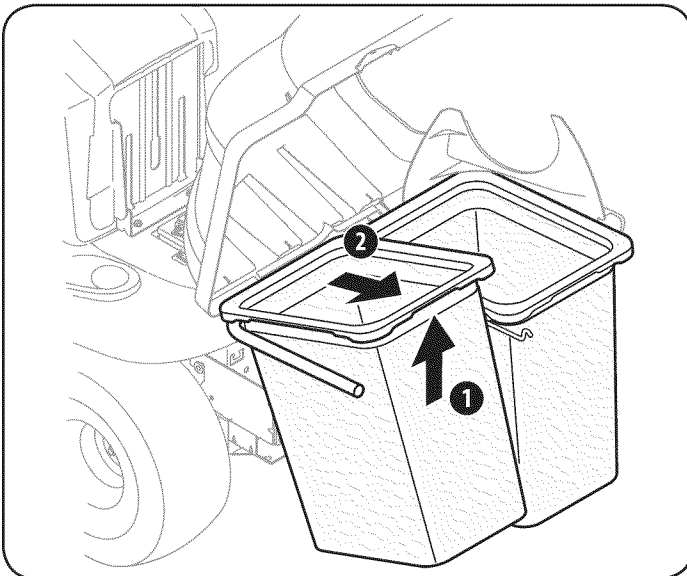
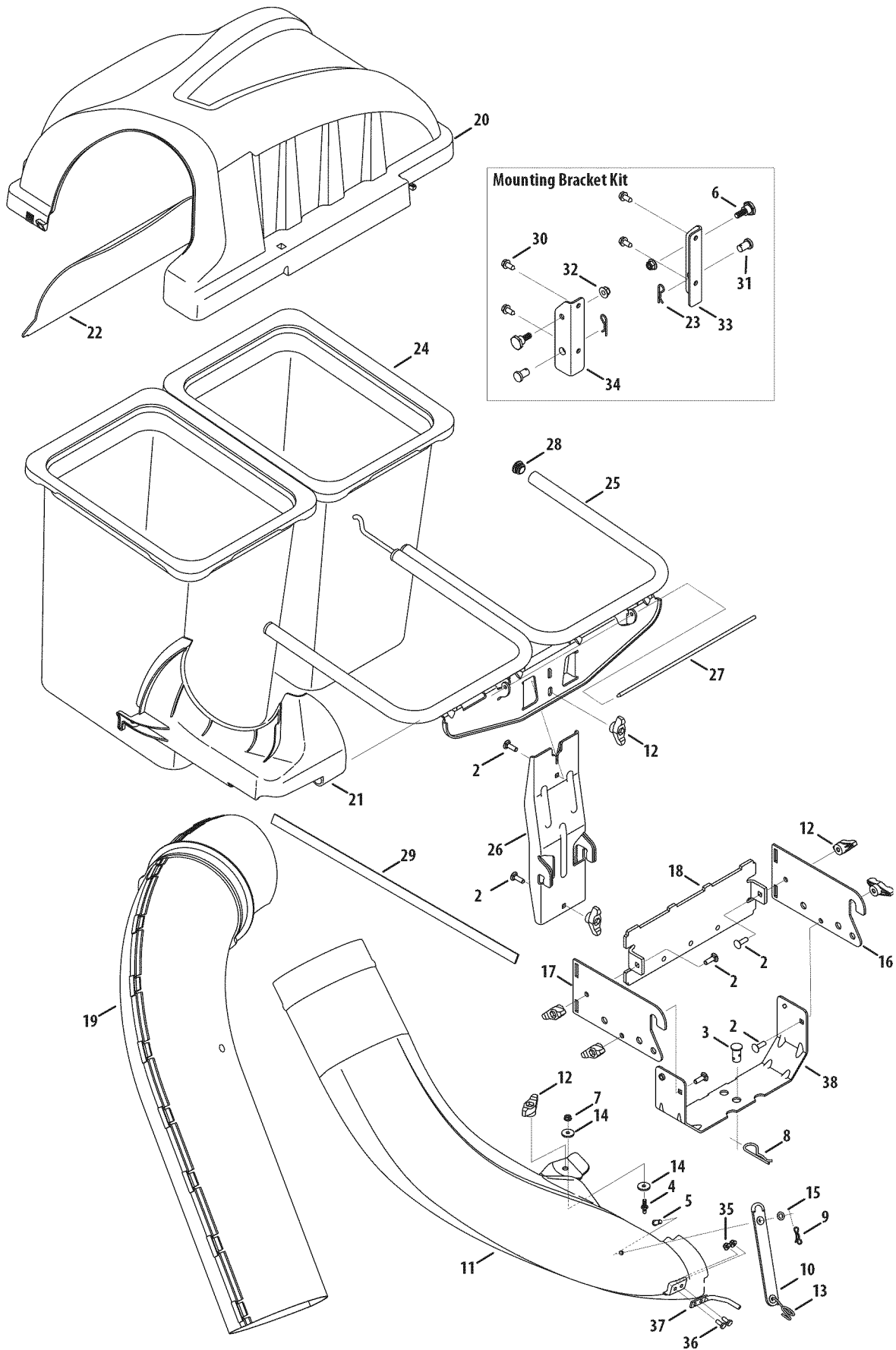


Figure 27

4. Empty the grass clippings at a proper disposal site. Grasp the handle at the bottom of the bag with one hand, and with the other hand steady the bag, and empty the contents.
5. Replace grass bags, close lid, flip down seat, restart your tractor and resume cutting your grass.
6. Retighten all wing knobs periodically throughout the season.

PARTS LIST



PARTS LIST

CRAFTSMAN TWO BIN BAGGER Model No. 247.240193

To purchase replacement parts, call 1-800-469-4663

Ref.	Part Number	Description
1.	689-00304	Mounting Bracket Kit (Incl. ref. 16, 17, 18)
2.	710-0276	Carriage Screw, 5/16-18 x 1.00"
3.	711-0309A	Clevis Pin, .62" Dia.
4.	711-05049	Attachment Pin, 1/4 x 0.66 Lg.
5.	711-05063	Clevis Pin, 5/16 x .75 Lg.
6.	738-04267	Shoulder Screw, .625 x .412
7.	912-3027	Flange Lock Nut, 1/4-20
8.	714-0117	Internal Cotter Pin, .148 x 3.00
9.	714-04040	Bow-Tie Cotter Pin, 72
10.	723-04008A	Chute Strap, 6.00 Lg.
11.	731-09173	Bagger Discharge Chute Elbow
12.	720-04122	Wing Knob, 5/16-18
13.	732-04510A	Torsion Spring Hook
14.	936-0176	Flat Washer, .265 x .938 x .120
15.	736-0204	Flat Washer, .344 x .62 x .033
16.	N/A*	Mounting Bracket, LH (<i>Order Item 1</i>)
17.	N/A*	Mounting Bracket, RH (<i>Order Item 1</i>)
18.	783-08056-0637	Universal Bracket Support
19.	931-04295A	Upper Discharge Chute
20.	931-04292	Double Bagger Cover Assembly
21.	731-06497	Upper Chute Support
22.	731-06504	Bagger Cover Screen
23.	914-0145	Click Pin, .092 x 1.64 Lg.
24.	964-04096A	Grass-bag Assembly
25.	683-04461-0637	Double Bag Support Assembly
26.	683-04519-0637	Vertical Support Bracket
27.	711-04988	Cover Hinge Pin
28.	735-0246A	End Plug
29.	721-04388	Self-Adhesive Foam Strip
30.	710-04484	Tap Screw, 5/16-18 x .750
31.	911-0332	Clevis Pin
32.	712-04065	Flange Lock Nut, 3/8-16
33.	783-05890A-0637	Mounting Bracket, LH
34.	783-05889A-0637	Mounting Bracket, RH
35.	712-04064	Flange Lock Nut, 1/4-20
36.	710-0751	Hex Head Screw, 1/4-20 x 620
37.	747-06043	Boot Mounting Rod
38.	783-08129	Hitch Support Bracket

*Order Reference 1

TABLA DE CONTENIDO

Sinstrucciones De Seguridad	19-21
Contenido de la Caja.....	22-23
Montaje e Instalación	24-30
Operación.....	31
Lista de piezas	16-17

GARANTÍA COMPLETA DE UN AÑO DE ARTESANO

DURANTE un año desde la fecha de compra, este producto está garantizado contra cualquier defecto de material o mano de obra. Un producto defectuoso será reemplazado sin cargo.

Para que detalles de la cobertura de garantía obtener un reemplazo libre, visite el sitio web: www.craftsman.com

Esta garantía será nula si este producto se utiliza mientras que proporciona servicios comerciales o Si alquila a otra persona.

Esta garantía le otorga derechos legales específicos, y usted también puede tener otros derechos que varían de estado a estado.

Sears Brands Management Corporation., Hoffman Estates, IL 60179

INSTRUCCIONES DE SEGURIDAD

⚠ ADVERTENCIA

La presencia de este símbolo indica que se trata de instrucciones importantes de seguridad que se deben respetar para evitar poner en peligro su seguridad personal y/o material y la de otras personas. Lea y siga todas las instrucciones de este manual antes de poner en funcionamiento esta máquina. Si no respeta estas instrucciones podría provocar lesiones personales. Cuando vea este símbolo, ¡preste atención a la advertencia!

⚠ ADVERTENCIA

PROPOSICIÓN 65 DE CALIFORNIA

El escape del motor de este producto, algunos de sus componentes y algunos componentes del vehículo contienen o liberan sustancias químicas que el estado de California considera que pueden producir cáncer, defectos de nacimiento u otros problemas reproductivos. Los bornes de la batería y los accesorios afines contienen plomo y compuestos de plomo, sustancias químicas que según lo establecido por el Estado de California causan cáncer y daños en el sistema reproductivo. *Lávese las manos después de estar en contacto con estos componentes.*

⚠ PELIGRO

Esta máquina fue construida para ser operada de acuerdo con las reglas de seguridad contenidas en este manual. Al igual que con cualquier tipo de equipo motorizado, un descuido o error por parte del operador puede producir lesiones graves. Esta máquina es capaz de amputar manos y pies y de arrojar objetos con gran fuerza. De no respetar las instrucciones de seguridad siguientes se pueden producir lesiones graves o la muerte.

⚠ ADVERTENCIA

Su responsabilidad—Restrinja el uso de esta máquina motorizada a las personas que lean, comprendan y respeten las advertencias e instrucciones que aparecen en este manual y en la máquina.

¡GUARDE ESTAS INSTRUCCIONES!

Funcionamiento general

1. Lea, comprenda y respete todas las instrucciones que figuran en el equipo y en los manuales antes de intentar armarlo y hacerlo funcionar. Guarde este manual en un lugar seguro para consultas futuras y periódicas, así como para solicitar repuestos.
2. Para ayudar a evitar una lesión por contacto con las cuchillas o con un objeto que sea arrojado, mantenga a las personas que observan, a los ayudantes, niños y mascotas alejados a no menos de 25 metros de la máquina mientras está funcionando. Detenga la máquina si alguien entra en la zona.
3. Revise minuciosamente el área donde se va a usar el equipo. Retire todas las piedras, palos, cables, huesos, juguetes y otros objetos extraños que podrían ser recogidos y arrojados por la acción de las cuchillas. Los objetos arrojados por la máquina pueden causar lesiones graves.
4. Para protegerse los ojos, utilice siempre gafas o lentes de seguridad mientras opera la máquina o mientras la ajusta o repara. Los objetos arrojados que rebotan pueden causar lesiones oculares graves.
5. Nunca opere la cortadora de césped sin tener bien colocada la cubierta de descarga o el colector de césped. Si falta o está dañada la cubierta de descarga o un componente del accesorio embolsador puede resultar en lesiones por contacto con la cuchilla o con objetos arrojados.
6. No ponga las manos ni los pies cerca de las piezas rotatorias ni debajo de la plataforma de corte. El contacto con las cuchillas puede resultar en la amputación de una mano o pie.
7. Apague el motor de la cortadora de césped y espere que las cuchillas se detengan totalmente antes de desbloquear la abertura de descarga de la cortadora o las piezas de la embolsadora.
8. Reduzca la velocidad antes de girar. Opere la máquina de forma pareja. Evite el funcionamiento errático y la velocidad excesiva. Tenga en cuenta que el accesorio colector de césped puede afectar las características de manejo de su cortadora.

Funcionamiento en pendientes

Las pendientes son un factor importante en los accidentes ocasionados por pérdida de control y vuelcos que pueden causar lesiones graves e incluso la muerte. Los accesorios también pueden afectar la estabilidad de la máquina. La operación en pendiente requiere mayor precaución.

Para seguridad, use el medidor de pendientes que se incluye como parte de este manual para estimar el ángulo de la pendiente antes de hacer funcionar la máquina en una zona inclinada. Si la pendiente es mayor a 10 grados en el medidor, no opere la cortadora con el accesorio embolsador en ese sector, pues podría causar lesiones graves.

Haga lo siguiente:

1. Corte hacia arriba y abajo de las pendientes, no en forma transversal. Tenga sumo cuidado al cambiar de dirección en una pendiente.
2. Esté atento a los hoyos, surcos, baches, rocas, u otros objetos ocultos. El terreno desnivelado puede voltear la máquina. El pasto alto puede ocultar obstáculos.
3. Conduzca a baja velocidad. Elija una velocidad lo suficientemente baja como para no tener que detenerse o cambiar de marcha mientras está en la pendiente. Los neumáticos pueden perder tracción en las pendientes aún cuando los frenos funcionen correctamente. Mantenga la máquina siempre en velocidad cuando desciende una pendiente, para poder frenar con el motor.

INSTRUCCIONES DE SEGURIDAD

4. Siga las recomendaciones del fabricante sobre pesos y contrapesos de las ruedas, para mejorar la estabilidad.
5. Haga que todos los movimientos en las pendientes sean lentos y graduales. No cambie repentinamente la velocidad ni la dirección. Un frenado o cambio de velocidad repentinos pueden causar que el frente de la máquina se levante y dé una voltereta hacia atrás, lo que podría causar lesiones graves.
6. Evite arrancar o detenerse en una pendiente. Si los neumáticos pierden tracción, desenganche las cuchillas y descienda lentamente la pendiente.

No haga lo siguiente:

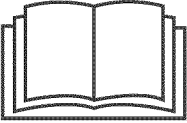

1. No gire en una pendiente a menos que sea imprescindible. De ser posible, gire lenta y gradualmente cuesta abajo.
2. No corte el césped cerca de barrancos, zanjas o terraplenes. La cortadora de césped podría volcarse repentinamente si una de las ruedas estuviera sobre el borde de un acantilado o zanja, o si un borde se desmoronara.
3. No intente estabilizar la máquina poniendo el pie en el suelo.
4. No utilice un colector de césped en pendientes empinadas.
5. No corte el césped húmedo. Una reducción en tracción puede causar derrapes.

Servicio general

1. Antes de limpiar, reparar o inspeccionar la máquina, compruebe que las cuchillas y todas las piezas móviles se hayan detenido. Desconecte el cable de la bujía y póngalo haciendo masa contra el motor para evitar que arranque accidentalmente.
2. Mantenga todas las tuercas, pernos y tornillos bien ajustados para asegurarse de que el equipo está en condiciones seguras de operación.
3. Nunca intente violar el sistema de bloqueo de seguridad u otros mecanismos de seguridad de la cortadora. Controle periódicamente que funcionan correctamente.
4. No intente nunca hacer ajustes o reparaciones a la cortadora mientras el motor está en marcha.
5. Los componentes del colector de césped y la cubierta de descarga están sujetos a desgaste y daños que podrían dejar expuestas piezas que se mueven o permitir que se arrojen objetos. Para proteger su seguridad, verifique frecuentemente todos los componentes y reemplácelos inmediatamente únicamente con piezas de los fabricantes del equipo original (O.E.M.) indicados en este manual. El uso de piezas que no cumplen con las especificaciones del equipo original puede resultar en rendimiento inadecuado y puede poner en peligro la seguridad.
6. Mantenga o reemplace las etiquetas de seguridad y de instrucciones según sea necesario.

Símbolos de seguridad

En esta página se presentan y describen los símbolos de seguridad que pueden aparecer en este producto. Lea, entienda y cumpla todas las instrucciones incluidas en la máquina antes de intentar armarla y utilizarla.

Símbolo	Descripción
	LEA LOS MANUALES DEL OPERADOR Lea, entienda y cumpla todas las instrucciones incluidas en los manuales antes de intentar armar la unidad y utilizarla.
	DETENCIÓN Apague el motor antes de abrir la cubierta de la embolsadora.



¡ADVERTENCIA! Su responsabilidad—Limite el uso de esta máquina motorizada a las personas que lean, comprendan y cumplan las advertencias e instrucciones que aparecen en este manual y en la máquina.

¡GUARDE ESTAS INSTRUCCIONES!

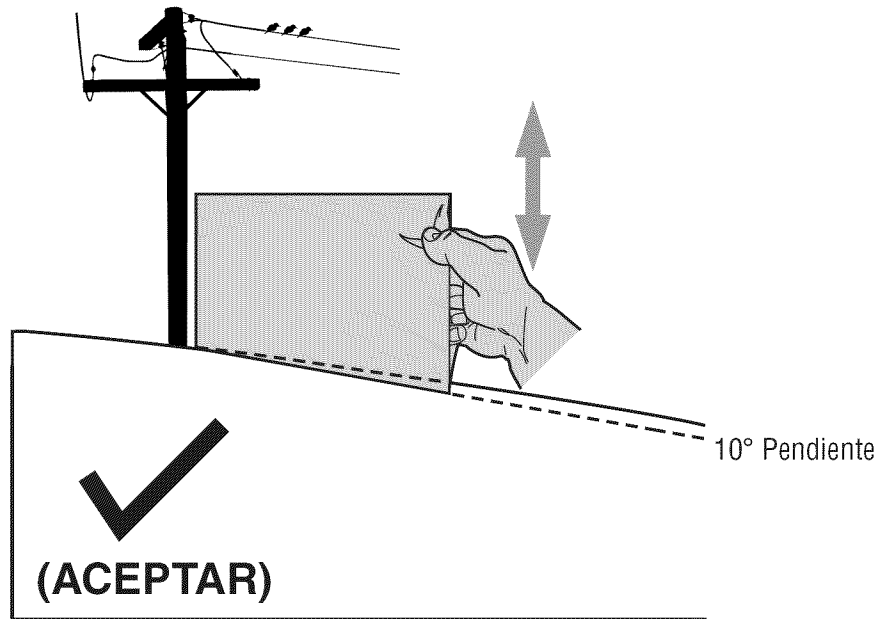


Figura 1

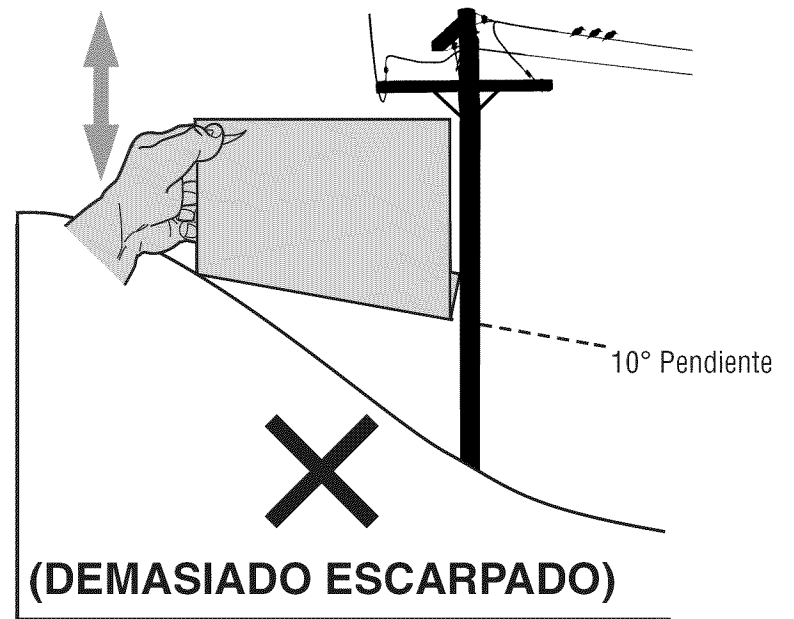
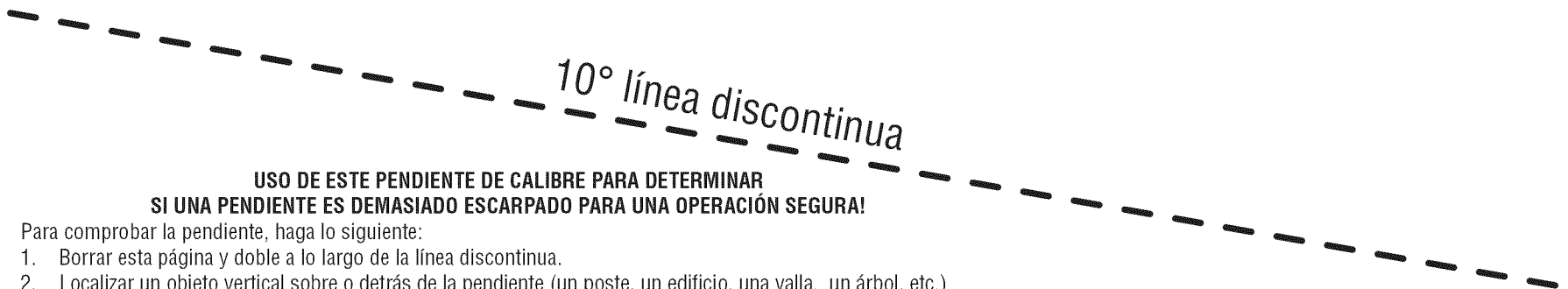


Figura 2



USO DE ESTE PENDIENTE DE CALIBRE PARA DETERMINAR SI UNA PENDIENTE ES DEMASIADO ESCARPADO PARA UNA OPERACIÓN SEGURA!

Para comprobar la pendiente, haga lo siguiente:

1. Borrar esta página y doble a lo largo de la línea discontinua.
2. Localizar un objeto vertical sobre o detrás de la pendiente (un poste, un edificio, una valla, un árbol, etc.)
3. Alinee cada lado de pendiente de calibre con el objeto vertical (consultar Figura 1 and Figura 2).
4. Ajuste el pendiente de calibre arriba o hacia abajo hasta los toques esquina izquierda el pendiente (consultar Figura 1 and Figura 2).
5. Si hay un espacio por debajo de la pendiente de calibre, el pendiente es demasiado escarpa por operación segura (consultar Figura 2 above).

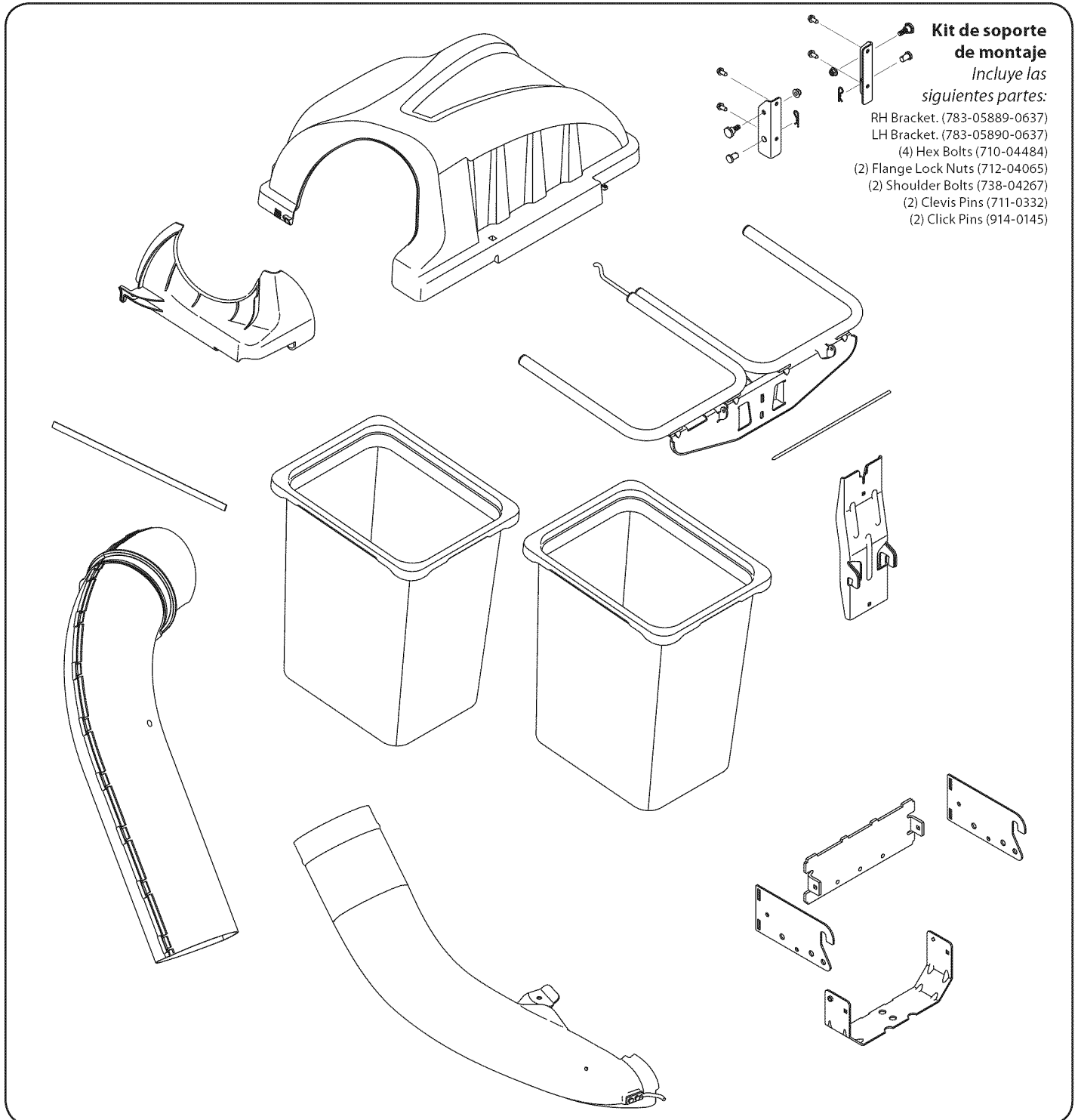
⚠ ADVERTENCIA

Las pendientes son un factor importante relacionado con un vuelco y renovación de los accidentes que pueden provocar lesiones graves o la muerte. No utilice la máquina en pendientes de más de 10 grados. Todos pendientes requiere mayor precaución. Si no puede retroceder en la pendiente o si se siente inseguro en ella, no la recorte. Siempre corte el césped arriba y abajo las pendientes, nunca en toda la superficie de la cuesta.

CONTENIDO DE LA CAJA

Antes de comenzar la instalación, quite todas las piezas de la caja para asegurarse de que todo está presente. Contenido de la caja se enumeran y se muestra a continuación. Dos paquetes de hardware se incluyen en este kit y se detallan en la página siguiente.

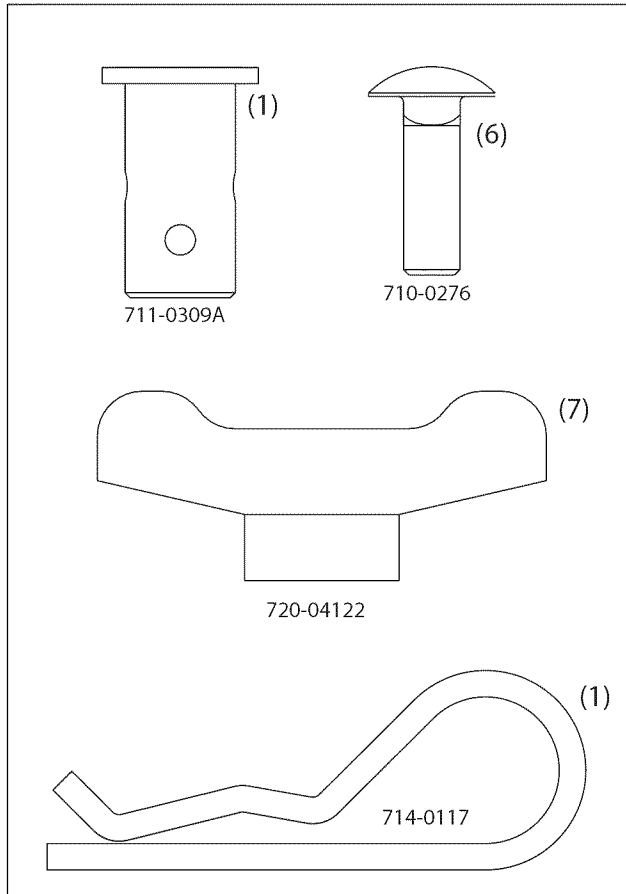
- Juego de soporte de enganche (3 soportes)
- Soporte de montaje Kit (2 soportes y hardware)
- Enganche Soporte
- Codo de descarga Chute
- Montaje de la tapa del colector de hierba
- Dos Asambleas Grass Bag
- Tubo superior de la tolva
- Autoadhesivo Franja de espuma
- Soporte superior de la tolva
- Pasador Cubierta
- Soporte vertical
- Bolsa Asamblea Soporte
- Dos paquetes de hardware (detallados y aparece en la página siguiente)



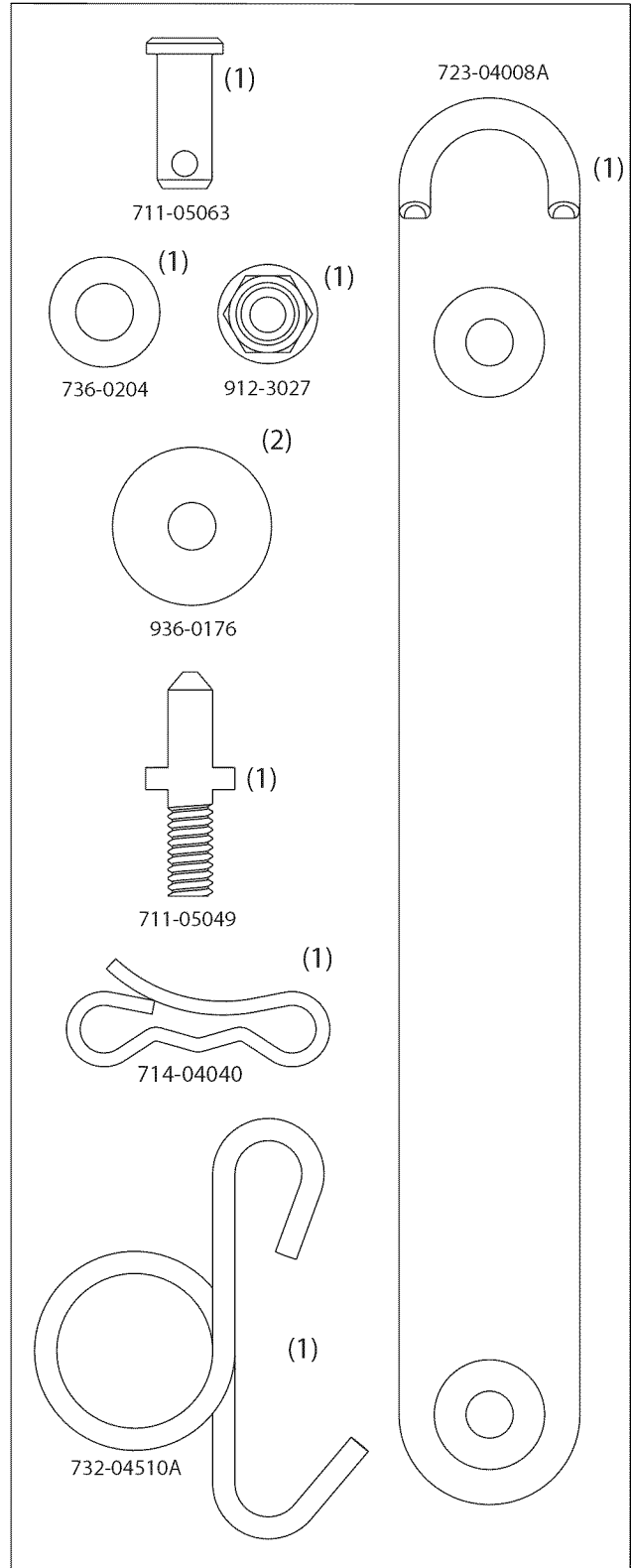
CONTENIDO DEL PAQUETE DE HERRAJES

Este kit de colector de hierba viene con dos números de referencia de cliente adjunto. Por favor revise sus números de referencia de cliente contra las siguientes ilustraciones. Las cantidades para cada artículo aparece entre paréntesis mientras que el número de pieza cotiza cerca de cada elemento.

Hardware Pack for 689-00312



Hardware Pack 689-00313



MONTAJE E INSTALACIÓN

Ensamblar el Hardware de montaje

1. Instale un perno con reborde del paquete de elementos en cada ménsula, ajustándolos con las tuercas de seguridad con brida que también se encuentran en el paquete. Consulte la Figure 28.
2. Instale un pasadores de horquilla del paquete de elementos en cada ménsula, seguro con las trinquetes con brida que también se encuentran en el paquete. Consulte la Figure 28.

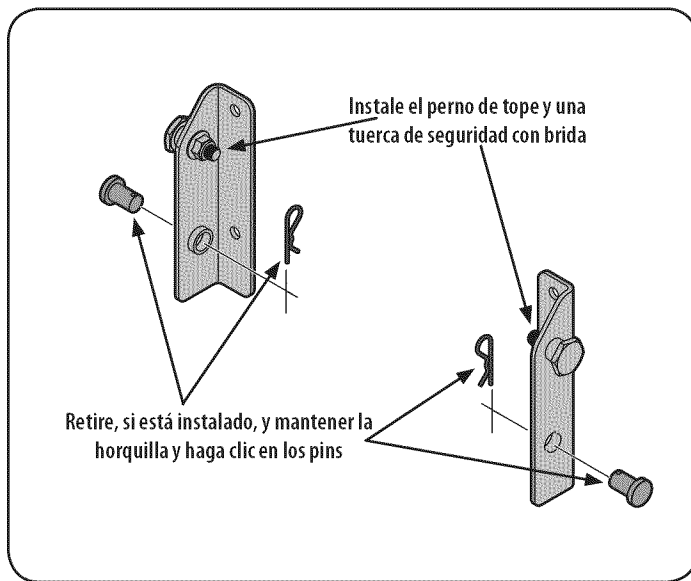


Figure 28

3. Saque y descarte los dos tornillos del chasis inferior como se muestra en la Figure 29.

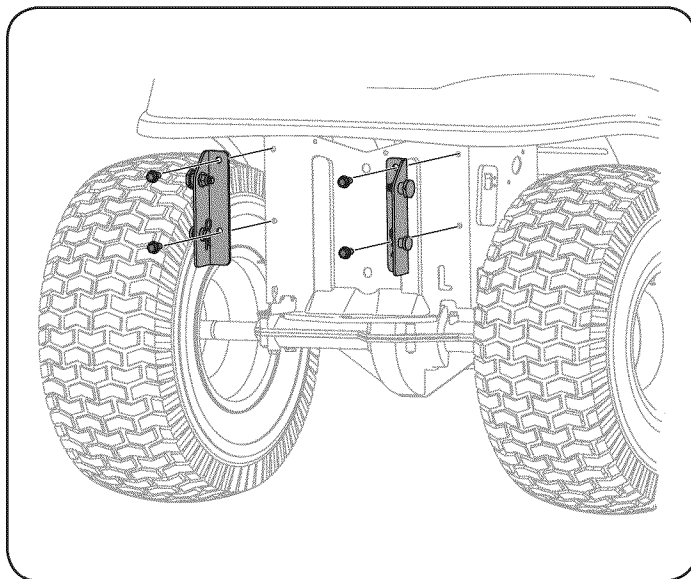


Figure 29

Armado de las ménsulas de montaje

Para armar la unidad de montaje de la embolsadora, localice el kit de la ménsula de enganche y siga estos pasos:

1. Fije los dos soportes del enganche laterales para el soporte de sujeción universal trasero con dos pernos de carruaje (710-0276) y las perillas de mariposa (720-04122) del paquete de tornillería 689-00312. Vea la Figure 30.

Note: The hooks on the side brackets should point downwards and the tabs on the rear plate point upwards as shown in Figure 30.

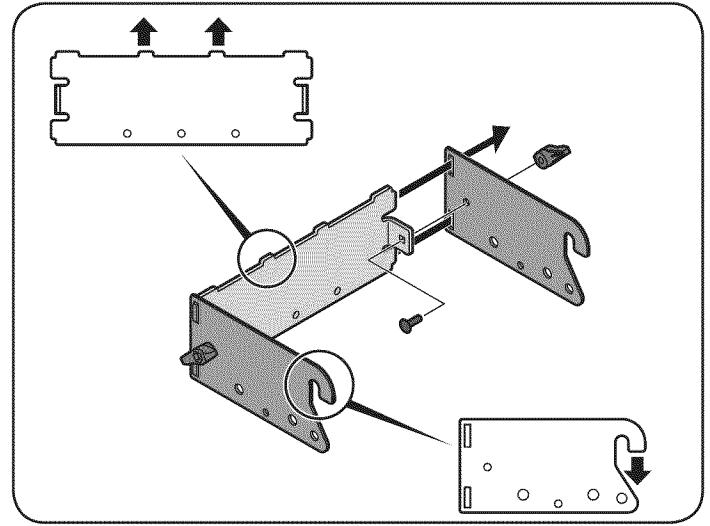


Figure 30

2. Dé la vuelta montaje y montar el soporte del enganche para el conjunto de montaje con un perno de carro (710-0276) y el pomo de mariposa (720-04122) de hardware paquete 689-00312.

IMPORTANTE: Montar el soporte enganche con el agujero indicado en la Figure 31.

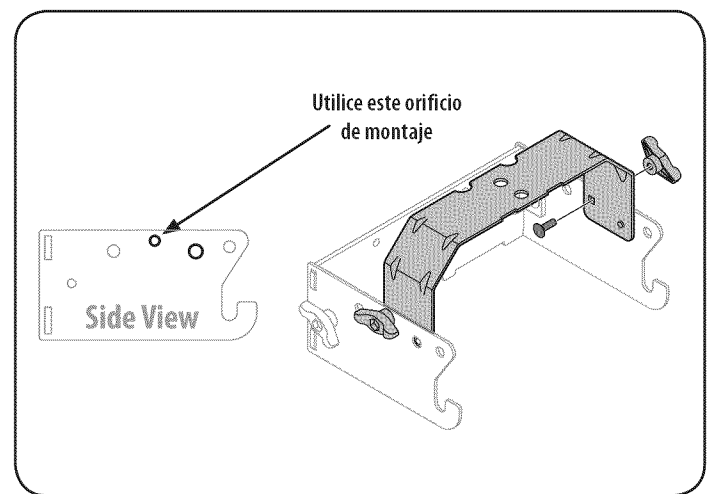


Figure 31

Nota: Puede ser que sea más fácil durante la etapa de montaje para salir de este hardware solo dedo apretado para facilitar alineando el agujero del enganche para el pasador de horquilla. Se le darán instrucciones para apretar este hardware más adelante en este manual.

MONTAJE E INSTALACIÓN

Montaje en el Tractor

Instale el montaje en el tractor como sigue:

1. Coloque los extremos en forma de gancho de la asamblea embolsadora de montaje sobre los tornillos de ajuste de los soportes de montaje previamente instalados en el tractor en Figure 32.
2. Instale los dos pasadores de horquilla (711-0332) y seguro a los soportes de montaje con dos pasadores clic (914-0145) que se incluyen con el kit de soporte de montaje.

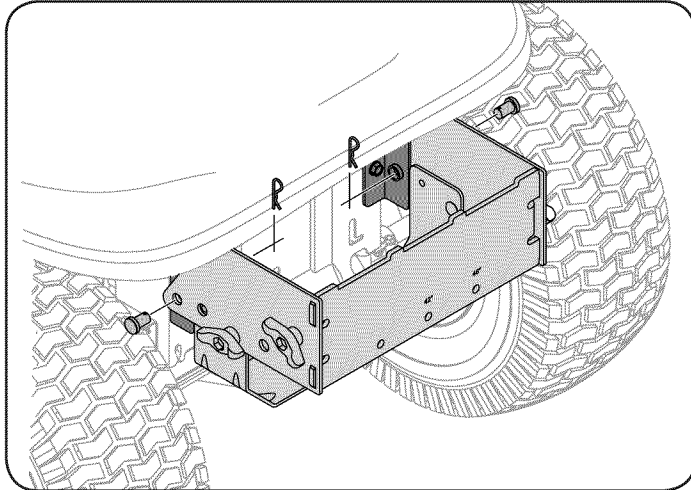


Figure 32

3. Instale el pasador de horquilla (711-0309A) de hardware paquete 689-00312 en el enganche del tractor y el apoyo de la asamblea del enganche y asegúrelo con un pasador de horquilla (714-0117). Ver Figure 33.

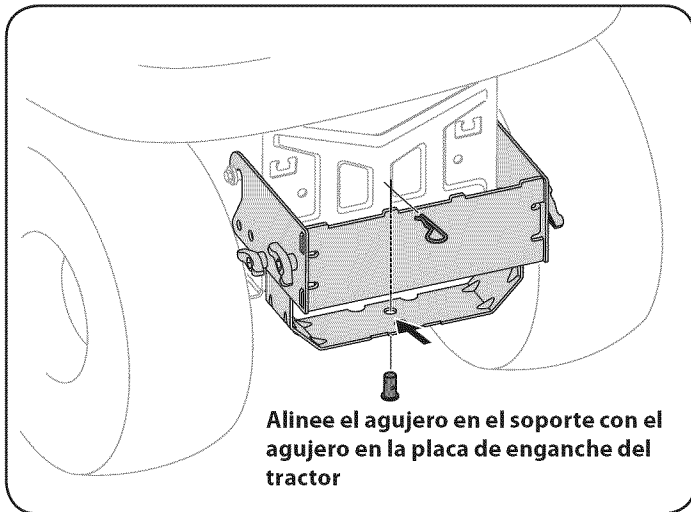


Figure 33

Nota: El pasador de horquilla puede ser alimentado hacia abajo a través del soporte y por debajo de enganche asegurado con el pasador de horquilla, o puede ser más fácil para alimentar las pasador de horquilla a través del orificio de la placa de enganche y asegure con el pasador de horquilla en la parte superior.

4. Apretar todo el hardware de montaje en el soporte de montaje y el soporte de enganche en este momento.

5. Instalar la abrazadera de soporte vertical sobre el conjunto de montaje en el tractor y lo engancha en cruz sobre el soporte de montaje y la alineación con el orificio de montaje que indica el tamaño de la cubierta está equipado con la máquina, como se muestra en Figure 34.

Nota: El soporte de montaje incluye una estampación por encima de cada orificio de montaje que indica que la posición para montar el soporte en posición vertical. Vea el recuadro de Figure 34

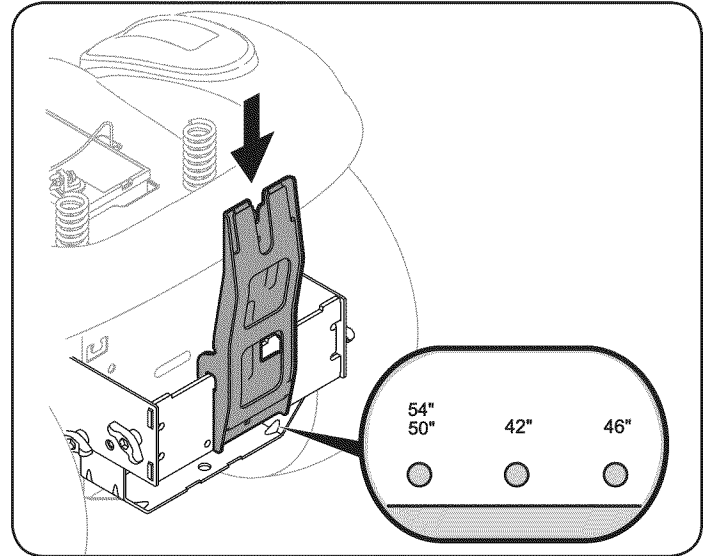


Figure 34

6. Fije el conjunto de soporte de la bolsa para el conjunto de montaje con un perno de carro (710-0276) y el pomo de mariposa (720-04.122) de hardware paquete 689-00312. Ver Figure 35.

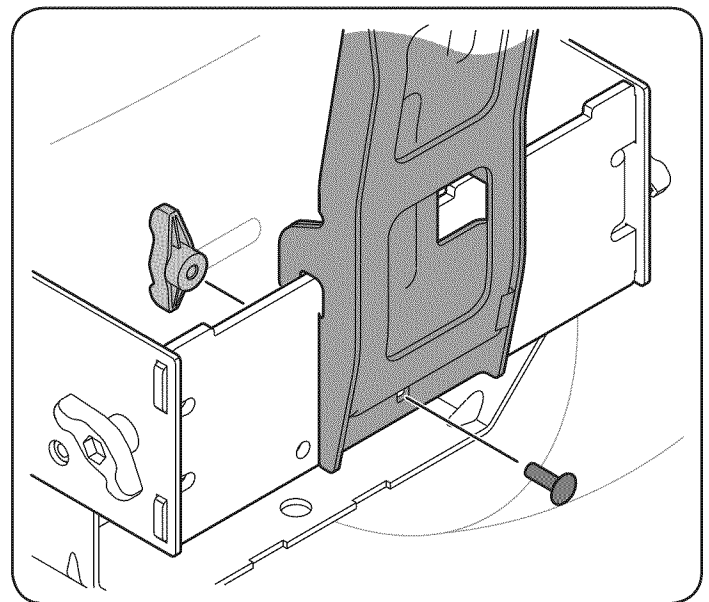


Figure 35

MONTAJE E INSTALACIÓN

7. Instale el conjunto del gancho en el soporte de soporte vertical con un perno de carro (710-0276) y el pomo de mariposa (720 a 04.122) de hardware paquete 689-00312. ver Figure 36.

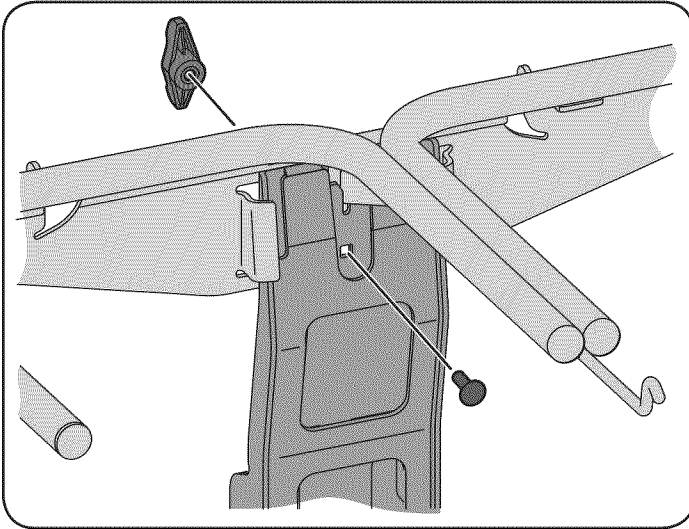


Figure 36

Montaje de los componentes restantes del recogedor

Ahora que los soportes de montaje están montados y en su lugar en el tractor, siga estos pasos para montar los componentes restantes del recogedor.

1. Ajustar el soporte plástico canal superior en su lugar enganchando la parte lateral en el riel de soporte de la bolsa con el borde de la característica de ajuste alineada con la línea roja (1), tal como se muestra en el recuadro de la Figure 37.
2. Coloque la parte delantera del soporte superior del conducto a la barra de soporte de la bolsa como se ve en la 2 de la Figure 37.

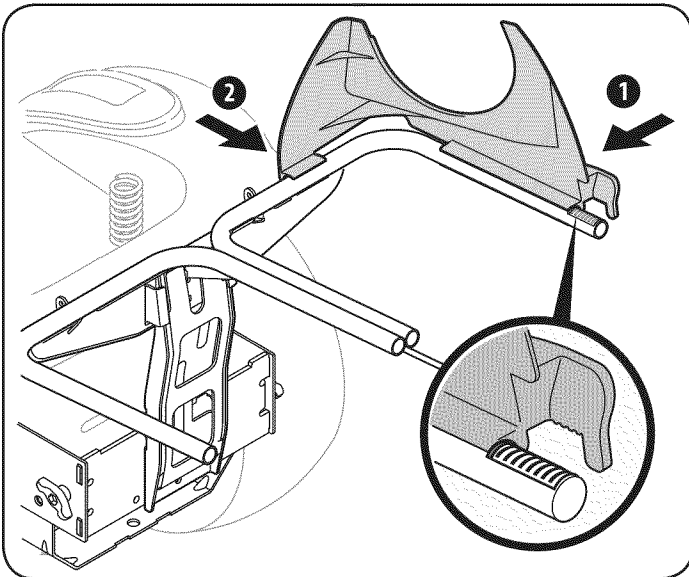


Figure 37

3. Instale la cubierta de recogedor de hierba en el conjunto de soporte de la bolsa, como se ve en la Figure 38. La cubierta del colector de hierba va dentro de las dos lengüetas de montaje en el conjunto de soporte de la bolsa.

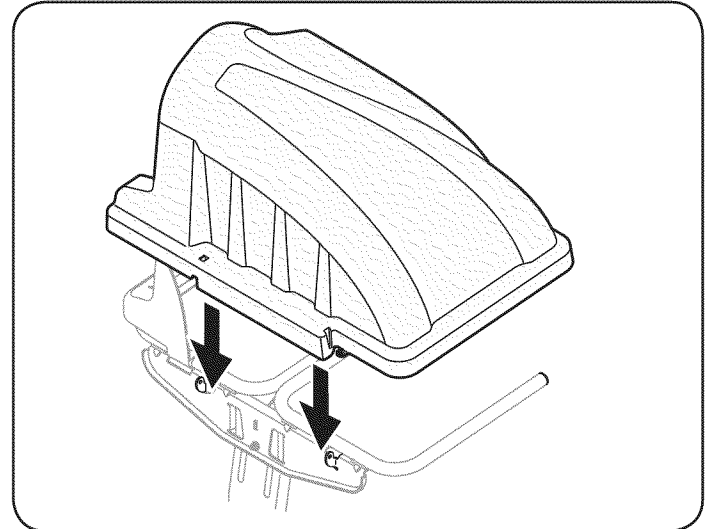


Figure 38

4. Deslice el pasador de la bisagra en el orificio situado en la ficha de montaje, como en la Figure 39. Utilice la ventana de cut-out (ver recuadro de la Figure 39) para alinear la bisagra pasador en la otra clavija lateral y empujar todos hasta que alcance el tope. En este punto los clips en lugar y está asegurado por una ficha en la tapa del contenedor. Vea la Figure 40.

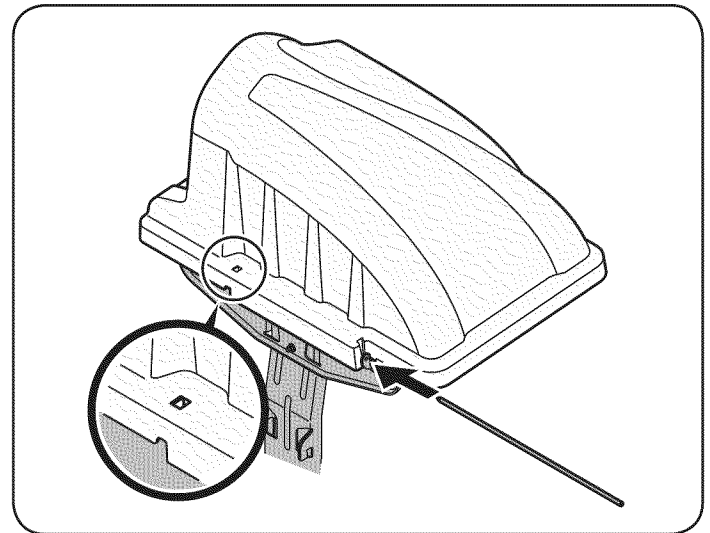


Figure 39

MONTAJE E INSTALACIÓN

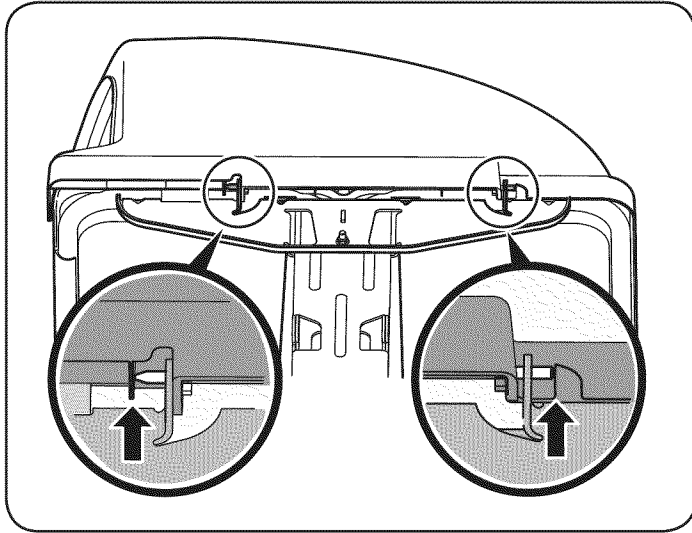


Figure 40

5. Mueva el asiento hacia adelante.
6. Abra el capó empujando la pestaña trasera, lado derecho con la mano derecha, como se ve en la (1) de la Figure 41, y levantar la tapa con la mano izquierda en la parte posterior de centro de la tapa del contenedor, (2).

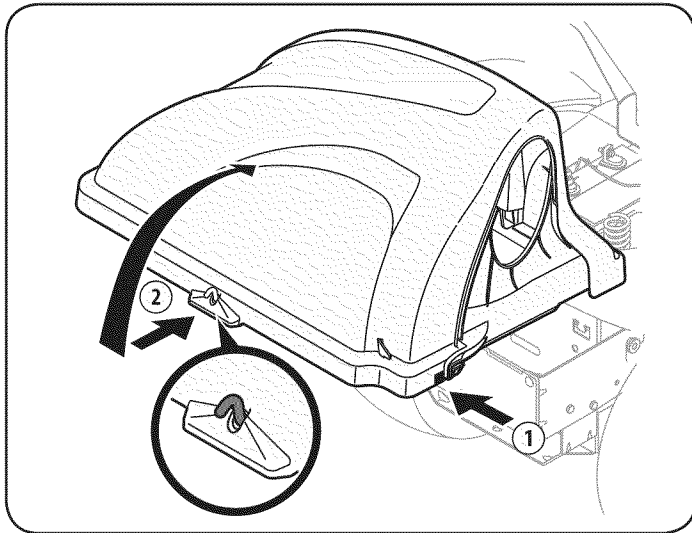


Figure 41

7. Instale ambas bolsas de hierba en el conjunto de soporte de bolsa insertando el borde delantero en primera (1), como se ve en la Figure 42, y bajar el borde posterior (2) hasta que encaje en la Asamblea.

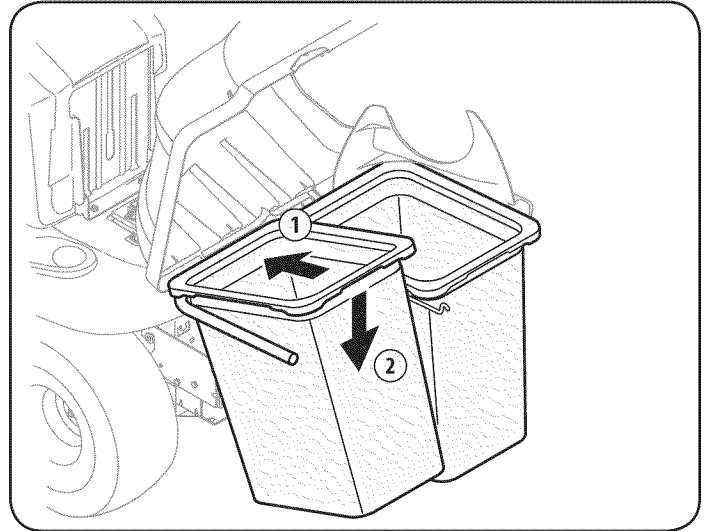


Figure 42

MONTAJE E INSTALACIÓN

Instalación del conducto de cubierta

Nota: Determine si su cubierta es un modelo nuevo, o un modelo antiguo. Consulte el recuadro superior de la Figure 44. Si su cubierta tiene un perno de montaje presente, tendrá un nuevo modelo de cubierta y que debería seguir las siguientes instrucciones. Si no poste, consulte las instrucciones **tituladas en tractores con mayores cubierta configuraciones** más adelante en esta sección.

8. Con conducto de descarga del tractor levantado y abierta (1), instale el codo de conducto colocando la barra de montaje del codo de conducto en el orificio correspondiente en el soporte de la rueda de cubierta o lengüeta de montaje del conducto (2), como se ve en la Figure 43.

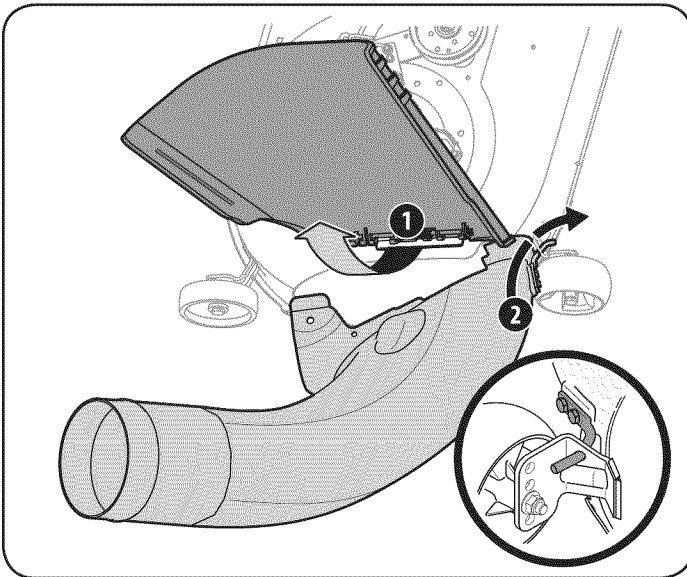


Figure 43

9. Fije el codo del conducto a la cubierta usando la perilla 720-04122 del paquete de tornillería 689-00312. Vea la Figure 44.

Nota: Si está presente, retire la tapa protectora en el perno de fijación en la plataforma de corte como se ve en el recuadro superior de la Figure 44.

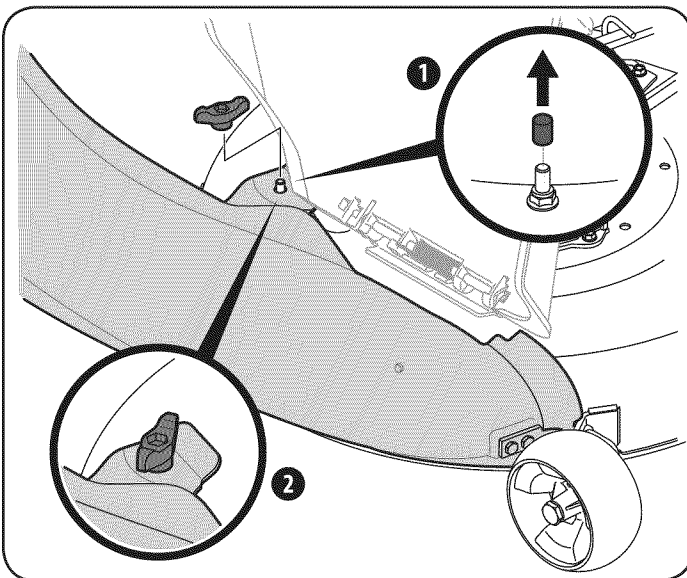


Figure 44

En los tractores con mayores configuraciones de cubierta

1. Instale la correa de conducto de goma, del paquete de tornillería 689-00313, en el codo de conducto utilizando el pasador de horquilla (711-05063), la arandela (736-0204) y pajarita pasador (714-04040) del paquete de tornillería 689-00313. Vea la Figure 45. Sujete el extremo de la correa utilizando el agujero más alejado del final, inserte el gancho de resorte de torsión (732-04510A) en el otro extremo.

Nota: En cubiertas con ruedas frontal de la plataforma, la varilla de soporte de arranque debe ser removida para instalar este codo de conducto de descarga en el tractor. Vea la Figure 45.

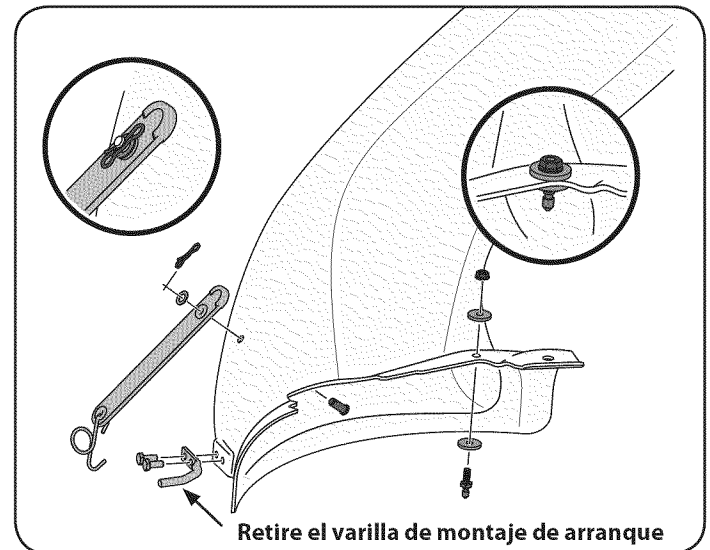


Figure 45

2. Instale el pasador de montaje de la cubierta (711-05049) hasta en el codo de conducto con dos arandelas planas (936-0176) del paquete de tornillería 689-00313 y asegúrela con una tuerca con brida (912-3027), como se ve en la Figure 45.
3. Con la descarga del tractor conducto levantado y abierta, instale el codo de conducto sobre el conducto de apertura mediante la colocación de la cubierta de montaje perno en el orificio correspondiente, como se ve en la Figure 46, entonces seguro enganche el codo a la cubierta, enganchando el resorte de torsión de la correa de sujeción sobre el soporte de montaje de la rueda de cubierta un visto en Figure 47.

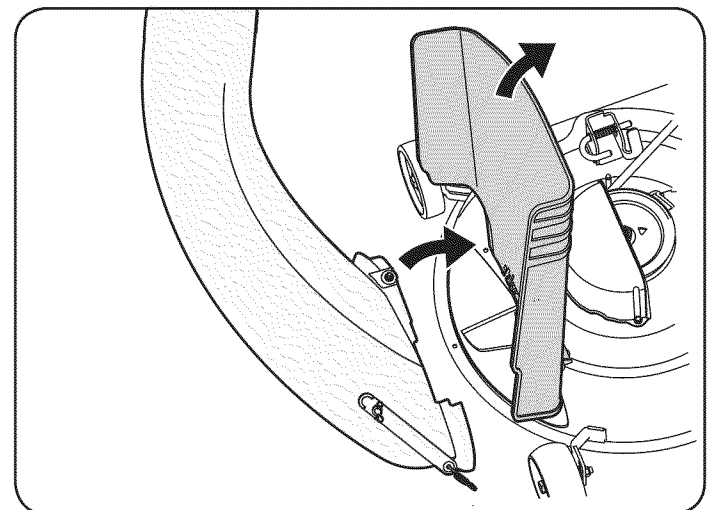


Figure 46

MONTAJE E INSTALACIÓN

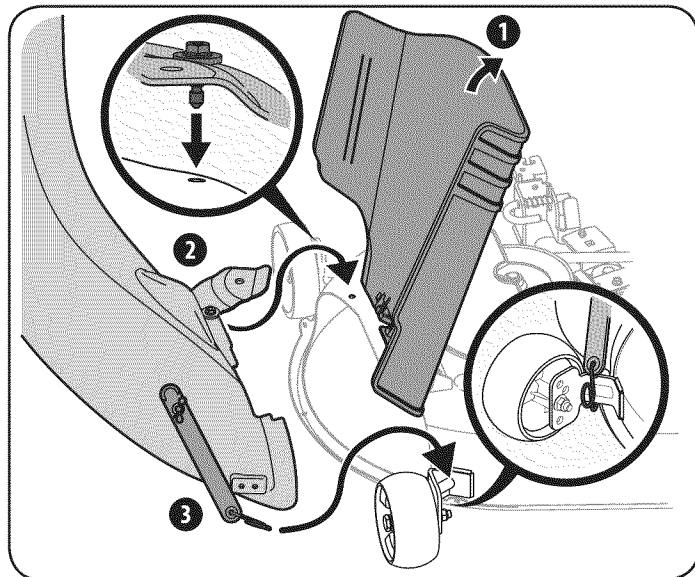


Figure 47

Nota: En cubiertas sin ruedas de cubierta, enganchar la correa de retención en el orificio correspondiente en la pestaña en la parte frontal de la plataforma de corte. Vea la Figure 48.

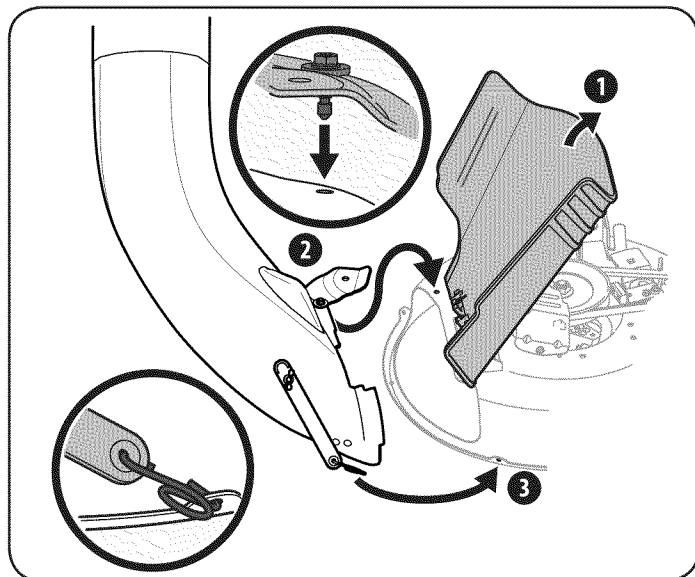


Figure 48

Nota: Al montar esta unidad de embolsado en una cubierta más antigua, se dejará una perilla extra, que sólo es necesario en las instalaciones en cubiertas de nuevos.

Instalación del tubo de conducto superior

1. Despegue el respaldo de la tira de espuma autoadhesiva (721-04388) que ha sido incluida dentro de su cartón de contenido. Aplica a la tolva superior, al ras contra el reborde como se muestra en la Figure 49.

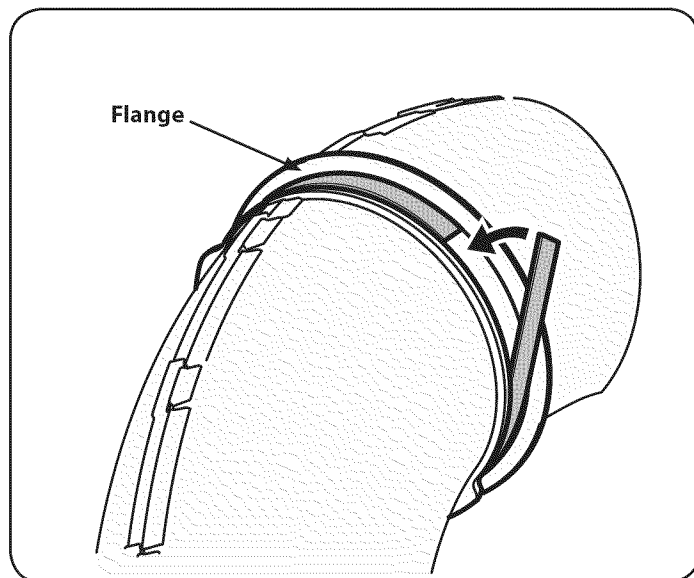


Figure 49

2. Con la tapa del colector de hierba abierto, instale el conducto de descarga superior a través del conducto de descarga, abertura, como se ve en la Figure 50.

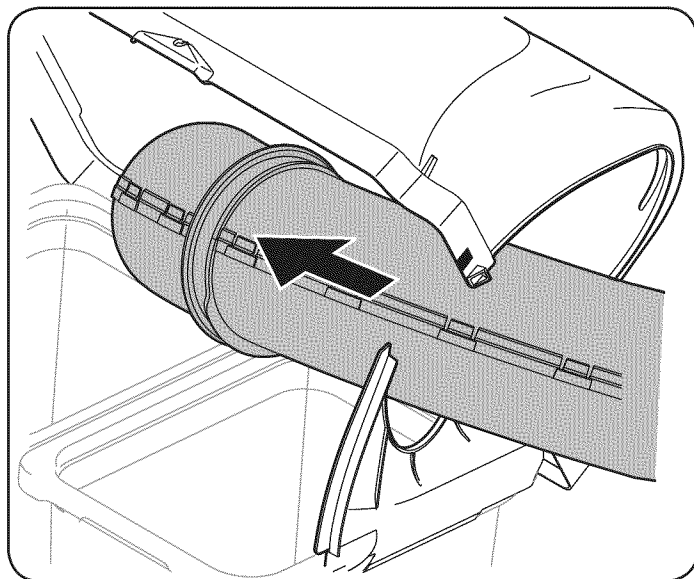


Figure 50

MONTAJE E INSTALACIÓN

3. With the ability now to wiggle the discharge chute tube back and forth, slide it over the chute elbow mounted on the cutting deck, as shown in Figure 51.

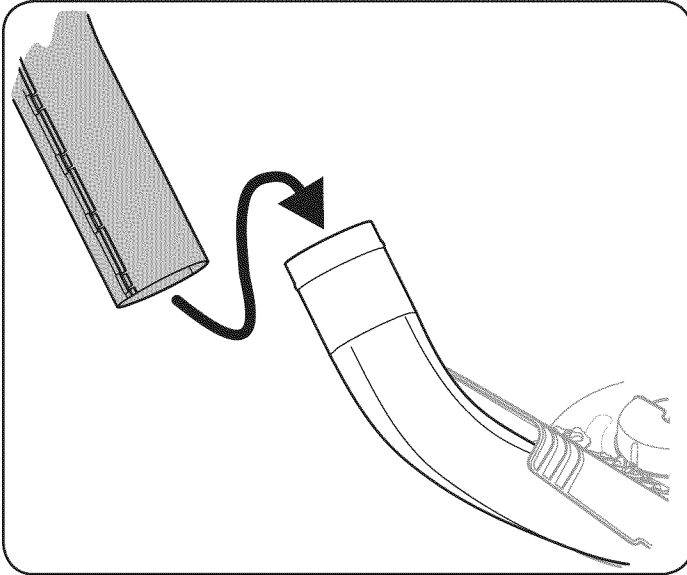


Figure 51

4. Continue to work the discharge chute down over the chute elbow until the groove on the discharge chute aligns with the upper chute support, as seen in the inset of Figure 52.

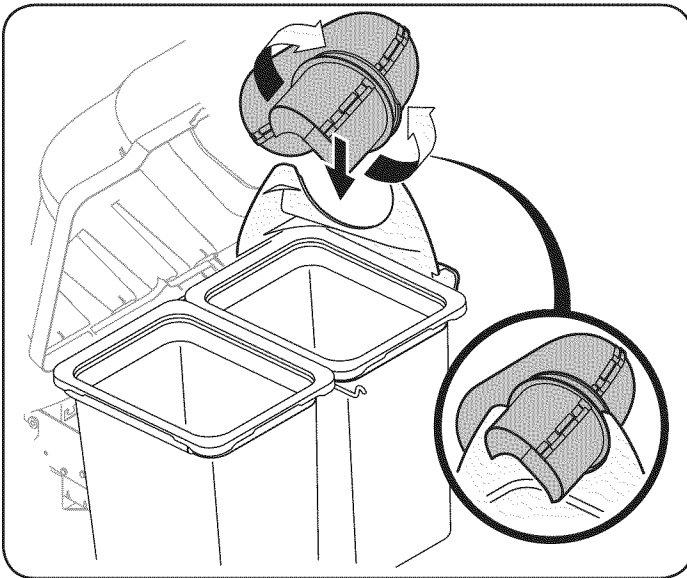


Figure 52

Operación

Funcionamiento de la embolsadora

NOTA: Cuando los dos cubos para césped estén llenos, coloque el tractor sobre una superficie firme y nivelada, desenganche la toma de fuerza (PTO), apague el motor del tractor y coloque el freno de estacionamiento.

1. Voltée el asiento hacia arriba.
2. Abrir la tapa del colector de césped empujando en la parte trasera, del lado derecho pestaña con su mano derecha, como se muestra en (1) de la Figure 53, y levantar con la mano izquierda en la parte central posterior, (2).

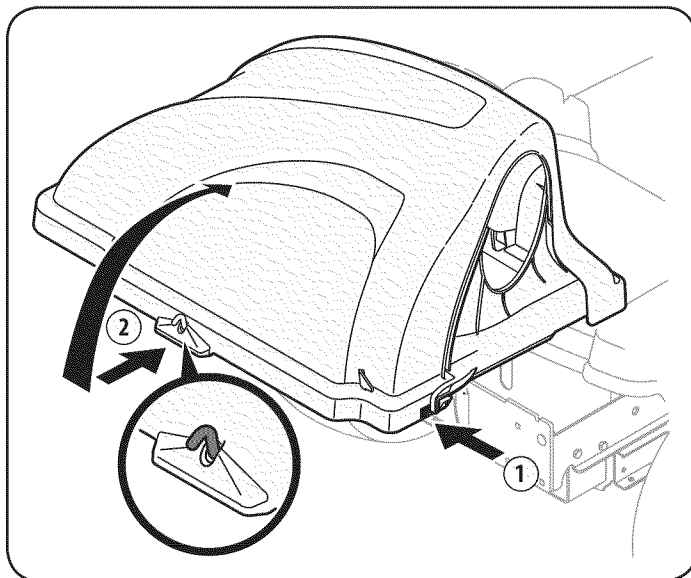


Figure 53

3. Eliminar los cubos de la hierba por levantarlas hasta (1 en la Figure 54) y fuera de la asamblea de apoyo bin (2).

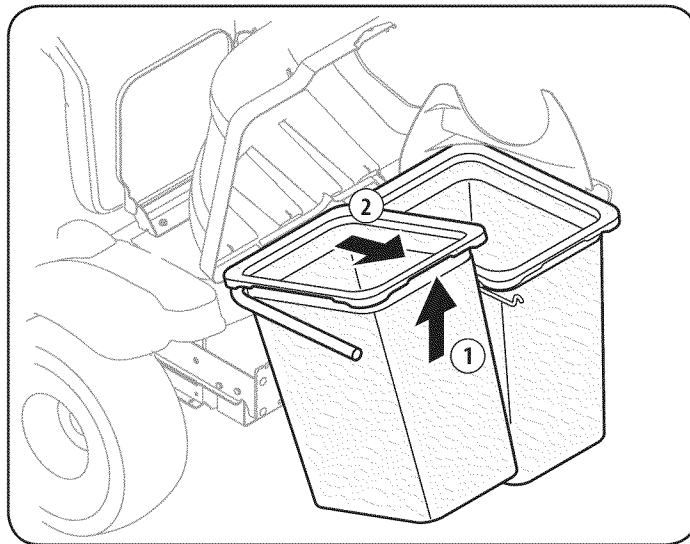


Figure 54

4. Vacíe los recortes de pasto en un predio de eliminación adecuado, use la manija del fondo de cada cubo de césped. Para vaciar el contenido sostenga firmemente el cubo.
5. Vuelva a colocar los cubos, cierre la tapa, voltée el asiento hacia abajo, arranque el tractor y continúe cortando el césped.
6. Vuelva a apretar todos los botones ala periódicamente a lo largo de la temporada.

Notes Page

This page intentionally left blank. Use this page to make any notes regarding your bagger.