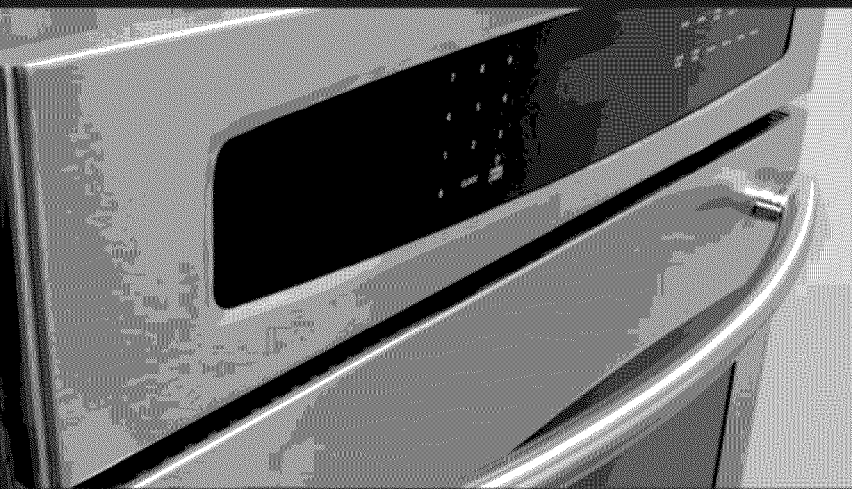




PERFECT HEAT.

WALL OVEN

Use and Care Guide



MODELS:

WOS-227

WOS-230

WOSD-227

WOSD-230

WOS-127

WOS-130



A MESSAGE TO OUR CUSTOMERS

Thank you for selecting this DCS Professional Wall Oven. Because of this appliance's unique features we have developed this Use and Care Guide. It contains valuable information on how to properly operate and maintain your new appliance for years of safe and enjoyable cooking.

To help serve you better, please fill out and submit your Ownership Registration Card by visiting our website at www.dcsappliances.com and selecting "Customer Service" on the home page and then select "Ownership Registration" or submit the enclosed Ownership Registration Card to the address below. In addition, keep this guide handy, as it will help answer questions that may arise as you use your new appliance.

For your convenience, product questions can be answered by a DCS Customer Service Representative by phone: 1-888-281-5698,, email: support@dcsappliances.com

or by mail:

DCS

Attention: Customer Service

5800 Skylab Road

Huntington Beach, CA 92647

www.dcsappliances.com

 **WARNING**

Improper installation, adjustment alteration, service or maintenance can cause property damage, injury or death. Read the installation, operating and maintenance instructions thoroughly before use, installing or servicing this equipment.

 **WARNING**

Do Not store or use gasoline or any other flammable vapors and liquids in the vicinity of this or any other appliance.

 **SAFETY WARNING:**

Turn off power circuit at service panel and lock out panel, before wiring this appliance.

Requirement: 120/240V 60Hz 4 wire 50 amp circuit

 **WARNING**

DO NOT use water on grease fires. Turn OFF the wall oven, then smother the fire with baking soda or use a dry chemical or foam-type fire extinguisher.

PLEASE RETAIN THIS MANUAL FOR FUTURE REFERENCE.

TABLE OF CONTENTS

SAFETY PRACTICES AND PRECAUTIONS

Read Before Using your new appliance.....3~4

OVEN FEATURES5

OPERATING INSTRUCTIONS

The Oven Display, Setting the Clock6

Oven Modes Description.....7

Bake8

Convection Bake9~11

Convection Roast11~12

Broil13

Oven Lights & Timers.....14

Food Probe15

Timed Cooking16

Child Safety & User Option.....17

CARE AND MAINTENANCE

Oven Door, Interior, and Oven Racks18

Replacing the Light Bulb.....19

Control Panel & Oven Door Glass20

CLEANING YOUR OVEN

Stainless Steel Finish20

Self Clean Mode.....21~22

WARRANTY23-24

HOW TO OBTAIN SERVICE.....24

SAFETY PRACTICES & PRECAUTIONS

Thank you for choosing your new DCS Professional Wall Oven. Our products are designed to be safe and reliable when properly cared for and used responsibly. When using this professional-style appliance, use it with extreme care, as this type of appliance provides intense heat which can increase the accident potential. Basic safety precautions must be followed when using kitchen appliances, including the following:

- **Read** this Use and Care Guide thoroughly before using your new appliance. This will help to reduce the risk of fire, electric shock, or injury to persons.
- **Begin by** insuring proper installation and servicing. Follow the installation instructions which came with this appliance. Be sure to have a qualified technician install and ground this appliance before using.
- **Do not** repair or replace any part of this appliance unless it is specifically recommended in this manual. All other servicing should be referred to a qualified Service Technician. Service Technicians must disconnect the power supply before servicing this appliance.

 **WARNING:**

This appliance is for cooking. Never use the oven to warm or heat a room.

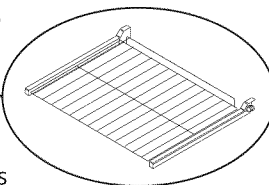
- Be certain to use **only dry pot holders**: a moist or damp pot holder on hot surfaces may cause a steam burn injury. Do not use a towel or other bulky cloth in place of pot holders.
- Use only oven-proof types of bakeware in the oven, as non-suitable types are not heat safe and may break under intense heat or drastic thermal changes, such as heating refrigerated food in a preheated oven.
- **Do not heat unopened food containers**; a build up of pressure may cause the container to burst and could result in injury.
- To avoid burn injuries when using the oven, **do not touch the interior surfaces of the oven or exterior area immediately surrounding the door** until it has had sufficient time to cool.
- Do not touch or allow flammable material to touch the heating element. Even if it appears dark in color, it may still be hot enough to cause burns or catch flammables on fire; allow sufficient time to cool.
- **Do not use aluminum foil** to line any part of the oven. Using a foil liner could result in a fire hazard, or the obstruction of the flow of ventilation air. Foil is an excellent heat insulator and heat will be trapped underneath it. This trapped heat can upset the cooking performance. You may line the broil pan with foil. However, if you cover the broil pan top, be sure to cut slits in the foil for the grease holes in order to allow grease to drain through.
- **Children should not be left alone** or unattended in an area where appliances are in use. They should never be allowed to turn knobs, push buttons, sit or stand on any part of an appliance.
- Children in walkers, or children crawling can be attracted to the oven door handle and may grab and open the oven door. This can result in injury from the door being pulled open on a child, or severe burns if the oven is in use and hot.

 **WARNING:**

Do not store items of interest to children above or near the appliance. Children could be seriously injured if they should climb onto the appliance to reach these items.

SAFETY PRACTICES TO AVOID PERSONAL INJURY

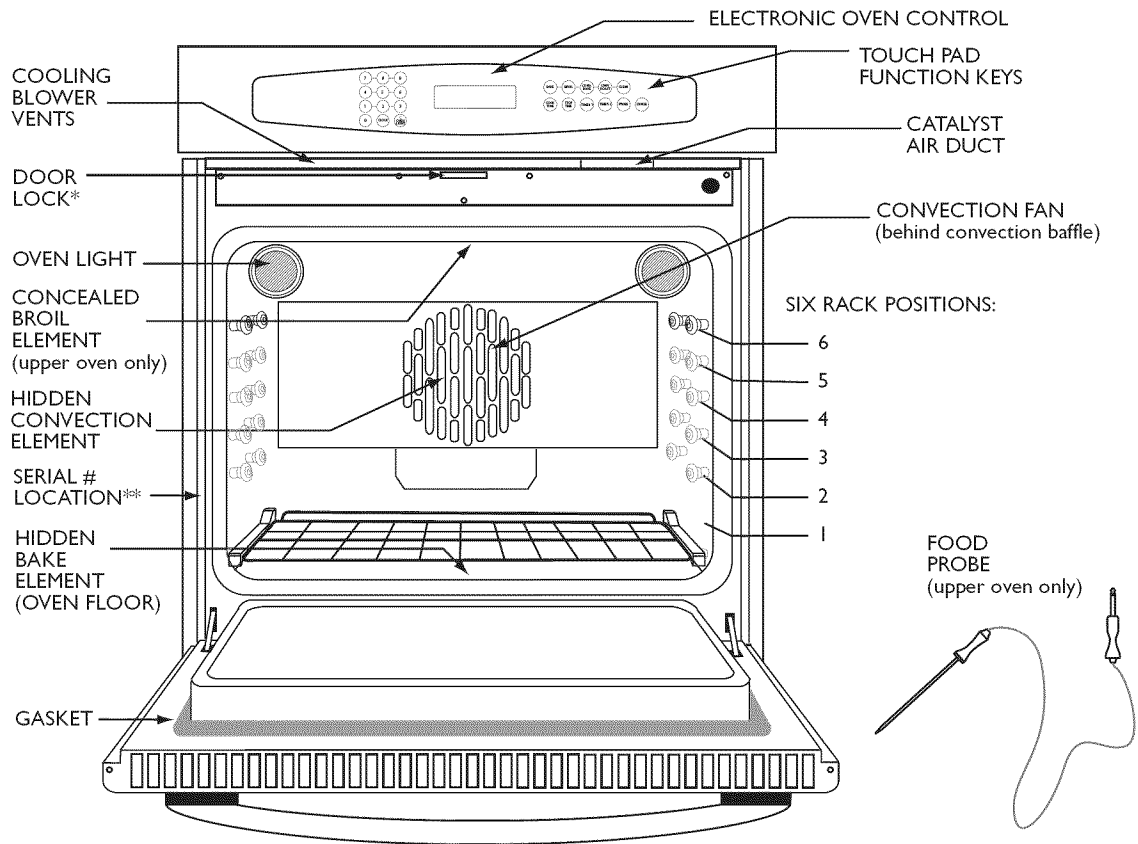
- **Never store anything in the oven.** Flammable materials can catch fire, plastic items may melt or ignite and other types of items could be ruined or damage the interior surface of the appliance.
- **Do not** hang articles on any part of the appliance or place anything against the oven. Some fabrics are quite flammable and may catch fire.
- **Do not use water on grease fires.** Turn OFF the oven, then smother the fire with baking soda or use a dry chemical or foam-type fire extinguisher.
- **Do not** obstruct the flow of ventilation air to the appliance. Be sure a fresh air supply is available especially during the self clean cycle.
- For safety reasons and to avoid damage to the appliance, never sit, stand, or lean on the oven door.
- **Be careful not to** rub, damage, move or remove the door gasket. A good seal is essential during baking.
- **Place oven racks in desired position while the oven is cool.** If a rack must be moved while the oven is hot, do not let the pot holders contact the hot interior of the oven.
- **Place oven racks right side up** to avoid any burns or spilling of food.
- Clean the oven with caution. Avoid steam burns; do not use a wet sponge or cloth to clean the appliance while it is hot. Some cleaners produce noxious fumes if applied to a hot surface. Follow directions provided by the cleaner manufacturer.
- Be sure the oven controls are turned off and the appliance is cool before using any type of aerosol cleaner on or around the appliance. The chemical that produces the spraying action could, in the presence of heat, ignite or cause metal parts to corrode.
- **Clean the oven frequently** so that grease from cooking vapors does not accumulate on the oven interior.
- **Use care when opening a hot oven door** to avoid severe burns, open slowly, allow the hot air or steam to escape before reaching in to remove or replace any foods.
- **Never open the oven door with children near by.** They could come into contact with the hot oven inner surfaces, resulting in severe burns.
- **Keep oven vent ducts unobstructed.** Allow proper ventilation.
- For personal safety, **wear proper apparel.** Loose fitting garments or hanging sleeves should never be worn while using this appliance. Some synthetic fabrics are highly flammable and should not be worn while cooking.
- During and after use, do not touch the interior surfaces of the oven; allow sufficient time to cool.
- During and after use, do not allow clothing or any flammable material to touch the interior surfaces of the oven, as they may catch fire; allow sufficient time to cool.
- During and after use, some exterior surfaces may become hot enough to cause burn injury if touched. These are the oven vent openings and areas near these openings, oven window glass, and oven doors. Always use a protective nonflammable cooking mitt or pot holder.
- **Condensation:** During any cooking process there is a certain amount of moisture that evaporates from the food. The amount of moisture that condenses on the oven depends on the moisture content of the food. The moisture will condense on any surface that is cooler than the inside of the oven. While baking with an extremely moist food product in the oven, condensation may collect on the oven near the control panel or the top of the door of the oven(s) in use near the catalyst ducts.



OVEN FEATURES


Your new professional-style Wall Oven meets our high standards of quality and we are certain you will enjoy many years of use. Below are some of the special features of your new home appliance. Our oven comes complete with 6 baking racks for a double oven, and 3 baking racks for a single oven. A meat probe, 2 oven timers, timed and delayed cooking, hidden bake element, concealed true convection element, concealed broil element, large oven window, synchronized oven lights, self cleaning and motorized oven door latch.

The WOS-227 and WOS-230 Models have a convection system and concealed broiler in the upper oven only (tubular broil element used in the lower element). The WOSD-227 and WOSD-230 models are fully featured units with convection and concealed broiler in both upper and lower ovens.



**Door Lock only functions in the self clean mode
Double oven display shown*

***Decal Sample:*

DYNAMIC COOKING SYSTEMS INC. HUNTINGTON BEACH, CA 92647		
MODEL No: WOS-227SS	ELECTRICAL RATING	
SERIAL No: 03E49585A	240/120 VAC 60HZ 50 AMP, 1 PH	
STANDARD: UL 858 FOR HOUSEHOLD ELECTRIC RANGES	65NK E202017	

OPERATING INSTRUCTIONS

You can use your new all electric wall oven in four cooking modes; bake, convection bake, convection roast, and broil. On double models, both ovens can be used for cooking at the same time in any specified cooking mode or modes, and you can use up to six oven rack positions in each oven. To help you decide which way to cook your food, read through this information first. Remember this is a new oven and the control has been checked for accuracy. Due to variations in temperature regulation between your old oven and your new DCS wall oven, you may want to check your recipes for the correct time and temperature settings to insure satisfactory cooking performance.

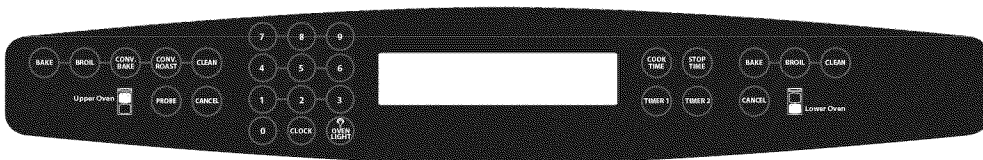
THE OVEN DISPLAY:

- The clock digits and functions are on the left side of the oven display and are in blue.
- The upper oven temperature digits and heating functions are in the middle of the display and are in red (on double ovens).
- The lower oven temperature digits and heating functions are on the right side of the oven display and are in red.
- If you enter incorrect or incomplete information the oven will prompt you with Err in the clock digits and several rapid beeps.

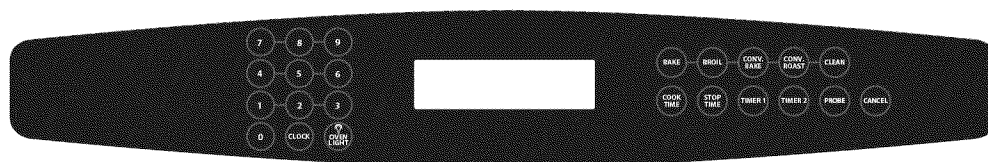
Double Wall Oven Control Panel – WOSD-227/230 Models



Double Wall Oven Control Panel – WOS-227/230 Models



Single Wall Oven Control Panel



TO SET THE CLOCK:

1. Press Clock. The display will show time. Enter the correct time of day by pressing the number keys.
2. About 5 seconds after the last number is entered, the new time will be set, or you may enter it immediately by pressing clock again.



Note: The clock cannot be set when the oven is in a timed mode (timed bake, timed convection bake, timed convection roast, or clean).

After a power outage the clock will blink with the time when power was lost. All cooking modes will be cancelled.

OPERATING INSTRUCTIONS

OVEN MODES:



BAKE

BAKE – in standard **Bake** mode, the bake element is on continuously (when temperature is below set level) and the broil element is pulsed on and off (when temperature is below set level).



**CONV.
BAKE**

CONVECTION BAKE – in **Convection Bake** mode, the convection element is on continuously (when temperature is below set level) and the hidden bake element is pulsed on and off (when temperature is below set level). Convection bake mode is available in the upper oven only on WOS-227/230 Models.



**CONV.
ROAST**

CONVECTION ROAST – when **Convection Roast** is activated, the convection element is on continuously (when temperature is below set level), and the outer broil element is pulsed on and off (when temperature is below set level). Convection roast mode is available in the upper oven only on WOS-227/230 Models.



BROIL

BROIL – in **Broil** mode, the broil element is on continuously (when temperature is below set level).



CLEAN

CLEAN – in **Clean** mode, the bake and broil elements are pulsed on and off. The oven clean temperature is approximately 850°F.



PROBE

PROBE – while using the temperature **Probe**, any baking mode may be used by entering the desired temperature of the food being cooked. When the temperature of the food reaches the temperature set by the user, an audible tone is heard and the oven goes into standby mode.

***NOTE:** Both ovens of the double wall oven can be used at the same time in any cooking mode.*

OPERATING INSTRUCTIONS (Bake)

BAKE:

The **Bake** mode uses hot air; there is no fan. The air movement comes from natural convection. As the air heats, it moves to the top of the oven. Standard Bake mode is still the best overall time-tested standard for the most desired baking results.

BAKE

Example of foods suitable for Bake mode:

- Appetizers
- Pies, Cakes
- Breads
- Desserts
- Main Dishes
- Oven Meals
- Poultry
- Roasts

To get the best results using Bake:

- Follow the recipe amounts and ingredients, including the size and shape of the baking utensil recommended in the recipe.
- Do not open the oven door. Rather, use the interior light and look through the window.
- Never use the oven for storage.
- If you are using glass utensils, lower the temperature 25°F.
- Use the oven timer, set it for the minimum time suggested.

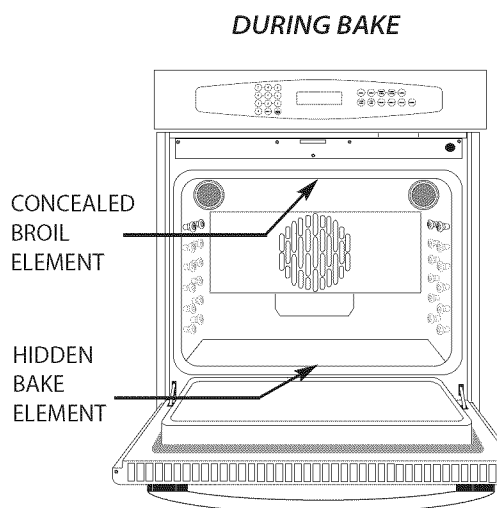
USING THE BAKE MODE:

Standard bake mode uses the bake and broil heating elements.

1. Press upper or lower **Bake** function key. Press the number keys to set a bake temperature from 100°F to 550°F.
2. **Bake**, **Preheat** and **On** will be displayed until the oven reaches the set temperature. When it reaches the set temperature, it will chime once and the words **On** and **Preheat** will go out. The oven is now ready to cook. The word **On** will be displayed whenever the oven requires more heat to maintain its set temperature.

Note: When baking, if the oven door is open, the oven will not heat. The word **On** may appear in the display, but this only indicates the oven is below temperature, and will resume normal operation when the door is closed.

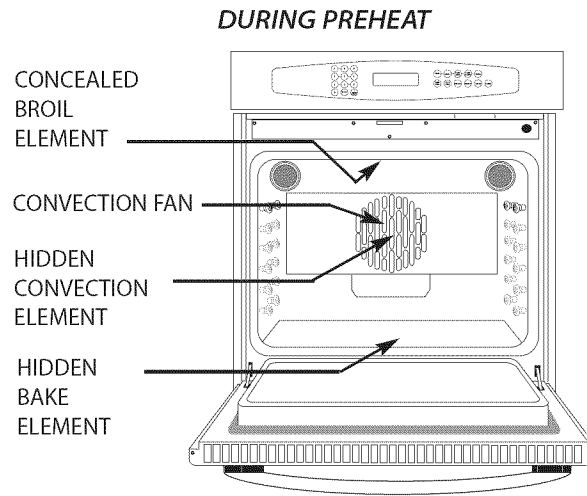
The oven cooling blower(s) may come on and go off automatically when baking.



OPERATING INSTRUCTIONS (Bake)

During Preheating for Bake:

The hidden bake, hidden convection, and broil elements will operate as will the convection motor (upper oven only on WOS-227/230 Models.) After **preheat** only the broil and hidden bake elements are used.



TEMPERATURE GUIDELINES FROM FSIS (Food Safety and Inspection Service)

<p>145°F</p> <ul style="list-style-type: none"> ■ Beef, lamb & veal, (medium = 160°F) steaks & roasts, medium rare* 	<p>165°F</p> <ul style="list-style-type: none"> ■ Ground turkey & chicken* ■ Stuffing & casseroles* ■ Leftovers
<p>160°F</p> <ul style="list-style-type: none"> ■ Hamburger, meatloaf, pork, veal & lamb* ■ Pork chops, ribs & roasts* ■ Egg dishes 	<p>170°F</p> <ul style="list-style-type: none"> ■ Chicken & turkey breasts* <p>180°F</p> <ul style="list-style-type: none"> ■ Chicken & turkey whole bird, legs, thighs & wings* ■ Duck & goose*

Please note that this chart is to be used as guidelines only. Your recipe should take precedence.

** Take out 5° before internal temperature is reached and cover with foil. Let rest for 15 to 20 minutes.*

OPERATING INSTRUCTIONS (Convection Bake)

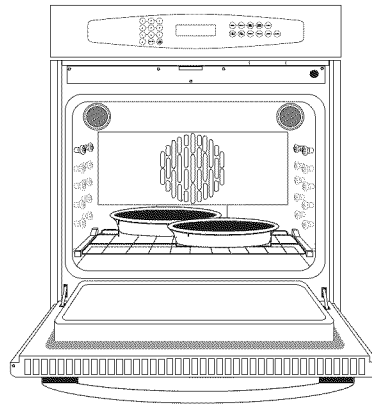
CONVECTION BAKE:

Convection Bake uses the fan at the back of the oven to circulate the hot air in a continuous pattern around the food for more precise baking. This circulating air heats and browns the surface of the food, which allows most foods to be cooked at lower oven temperatures or in less time than if baked at regular temperature in bake mode. Foods requiring a longer cooking time, such as large pieces of meat or other foods, can be cooked in low-sided baking utensils. Air leavened foods, when baked with convection, save you cooking time. Using multiple racks will save you time as you can cook more foods at the same time. Remember to always Preheat the oven until the Preheat indicator turns off.

**CONV.
BAKE**

Example of foods suitable for Convection Bake:

- Breads
- Cookies
- Muffins
- Pizzas
- Pies
- Pastry Crusts
- Puff pastries
- Angel Food Cake
- Souffles
- Chiffon Cake



To get best result using Convection Bake:

- Follow the recipe amounts and ingredients, including the size and shape of the baking utensil recommended in the recipe.
- Do not open the oven door often, rather use the interior light and look through the window.
- Never use the oven for storage.
- Metal utensils give better results in convection than glass baking utensils. When you are using glass, it usually is not necessary to lower the cooking temperature.
- Use the timer and set it for less than the minimum time in your recipe.
- The first time you use a recipe in the convection mode, be sure to note the new baking time for future use.
- Be sure to read the basic information on convection before using the oven for the first time.
- Keep in mind that convection baking results vary. Standard bake often yields a more appetizing appearance in food results compared to convection, but convection allows you to cook more food products at one time.
- Convection Bake is recommended for most multiple rack cooking, especially three or more rack cooking. Many foods can be prepared on several racks at the same time, such as cookies, muffins, cakes, pies, pizzas and others. See our web recipes at: www.dcsappliances.com.

Converting Recipes to Convection Bake:

Low sided baking utensils will give the best results as the hot air can reach all sides of the food easier. The oven temperature can remain the same as stated in the recipe, but the food should be cooked for a shorter period of time. **The temperature can usually be lowered 25°F** and the food will probably take the same length of time as the recipe states. If you find that food is adequately browned on the outside, but not done in the center, lower the temperature another 25°F and add to the baking time. When reducing the temperature always check the food for doneness a minute or two before the minimum time stated in the recipe, as time can always be added. Some recipes will cook faster than others. There is no way to predict exactly how long each recipe will take when you convert it to convection. Convection will be easier to use after you have used it a few times and become accustomed to the way it bakes.

OPERATING INSTRUCTIONS (Convection Bake)

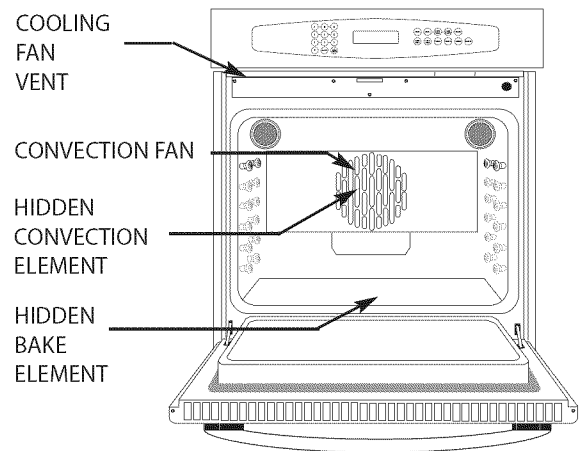
Selecting Utensils for Convection Bake:

Cooking by convection does not require any specially designed baking utensil. However, consider the material, the size and the shape of the utensil, as they will all affect the baking time, the palatability and the appearance of the finished product.

Metal bakeware (aluminum, steel and cast iron) all result in the fastest cooking time and best end product. Aluminum pans work well for all types of baked goods. For the best browning when baking pies and breads, use a pan with a dark or dull finish that absorbs heat. A shiny finish works best for cakes and cookies, since it reflects some of the heat and provides a less intensive cooking surface. For roasting, use the bottom of the broil pan and elevate the meat on a metal roasting rack. Glass ceramic or glass utensils do not conduct heat as well as metal; so use them for foods that do not require a dark brown crust or crisping, such as souffles.

Baked items cook more quickly and evenly if they are individually smaller in size, i.e., two or three small foods do better than one large piece. When single food items are baked, always center the food on the rack. If several foods are being baked, space them evenly on the rack or racks.

DURING CONVECTION BAKE



USING THE CONVECTION BAKE MODE:

Convection Bake mode uses the convection and hidden bake heating elements.

1. Press **Conv. Bake** function key. Press the number keys to set a convection bake temperature from 100°F to 550°F.
2. **Conv. Bake, Preheat** and **On** will be displayed. The actual temperature in the oven will be displayed until it reaches the set temperature. When it reaches the set temperature, it will chime once and the words **On** and **Preheat** will go out. The oven is now ready to cook. The word **On** will be displayed whenever the oven requires more heat to stay at the set temperature.

Note: During Convection Bake, when the oven door is open, the oven will not heat. The word **On** may appear in the display, but this only indicates the oven is below temperature, and will resume normal operation when the door is closed.

The oven cooling blower(s) may come on and go off automatically when cooking in convection bake.

During Preheat for Convection Bake:

The hidden bake, hidden convection, and the outer broil elements will cycle on and off and the convection motor will operate. After **Preheat**, only the hidden bake and convection elements will operate, along with the convection motor.

Note: Please refer to the *Temperature guidelines from FSIS* on page 9 when baking meat, egg dishes or casseroles.

OPERATING INSTRUCTIONS (Convection Roast)

CONVECTION ROAST:

If you prefer, you can roast meats more quickly using the Convection Roast mode. Keep in mind that conventional bake is best for less tender meats requiring a longer, moist heat method of cooking and for any meat cooked in a browning bag or covered roasting pans.



- Use meat roasting charts in standard cookbooks for recommended times and temperatures.
- Preheating is not necessary.
- For best results use with the food probe.
- Place the roast fat side up to allow for self basting during the roasting.
- Since meats continue to cook after being removed from the oven, remove the roast when it reaches a temperature of 5° to 10° less than the desired temperature and cover for 15 to 20 minutes. It will also slice nicer after the waiting time.
- For poultry, be sure the meat is thawed completely. Due to the structure of poultry, partially thawed or frozen poultry will cook unevenly.

USING THE CONVECTION ROAST MODE:

Convection Roast uses the broil and convection heating elements.

1. Press **Conv. Roast**. Press the number keys to set a convection roast temperature from 100°F to 550°F.
2. **Conv. Roast, Preheat** and **On** will be displayed. The actual temperature in the oven will be displayed until it reaches the set temperature. When it reaches the set temperature, it will chime once and the words **On** and **Preheat** will go out. The oven is now ready to cook. The word **On** will be displayed whenever the oven requires more heat to stay at the set temperature.

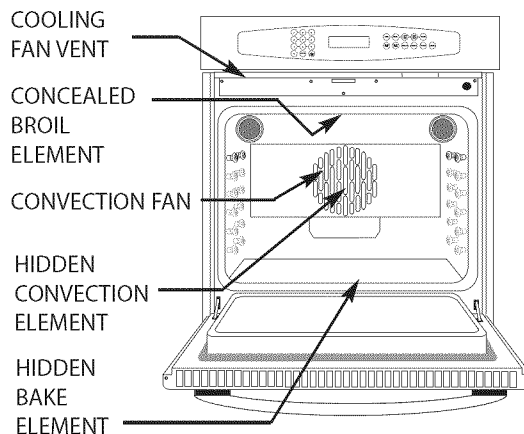
*Note: During Convection Roast, if the oven door is open the oven will not heat. The word **On** may appear in the display, but this only indicates the oven is below temperature, and will resume normal operation when the door is closed.*

Setting less than 200°F – If the oven is set to an operating temperature less than 200°F, during preheat the hidden bake element, hidden convection element, outer broil elements, and the convection motor will operate. After preheat, only the hidden convection element, hidden bake element, and convection motor are used.

Setting more than 200°F – If the oven is set to an operating temperature of 200°F or more, during and after preheat the hidden convection element, inner and outer broil elements, and the convection motor will operate. The oven cooling blower(s) may turn off and on automatically when in convection roast. The cooling blower(s) will run after the oven has been turned off until it is cooled down.

*Note: Please refer to the **Temperature guidelines from FSIS** on page 9 when roasting meat.*

DURING CONVECTION ROAST



OPERATING INSTRUCTIONS (Broil)

BROIL:

Broiling is cooking by intense infrared heat supplied by the broil elements. It is an extremely tasty way to prepare fatty type foods and healthier than frying.

BROIL

Foods suitable for Broiling:

- Appetizers
- Meats, marinated meats, steaks...
- Poultry
- Fish
- Top Browning: Casseroles, Garlic Toast...

Tips:

- First remove excess fat from meats.
- Salt and Pepper before broiling.
- To keep fish or lean meats juicy, brush melted butter on the top.
- Foods requiring turning should be turned only once for best results.

USING THE BROIL MODE:

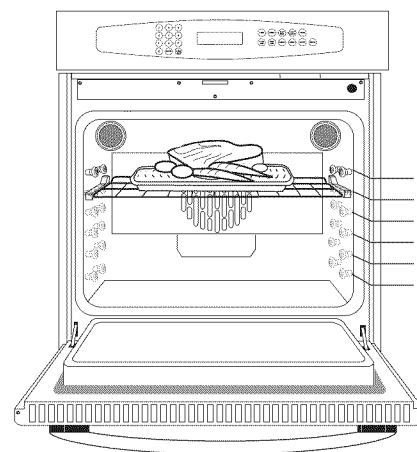
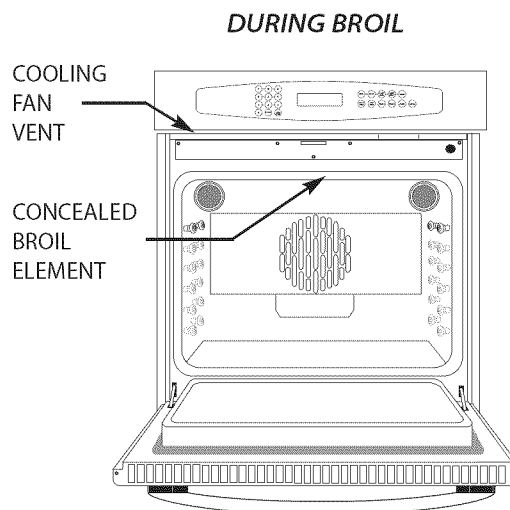
Position rack on the number 4 or 5 rack position near the broil element (position 6 is not recommended for the best results). Use rack 2 or 3 for larger, thick pieces of meat. Place food in oven on broil pan and remember *you must leave oven door open* to the **Broil Stop** position during broiling or the oven will cycle off.

No need to preheat.

1. Press upper or lower oven **Broil**.
2. Press any number key and **Hi** will be displayed where you usually see the temperature digits. You may leave it on **Hi** or set at any temperature from 100°F to 550°F. (High is 550°F.)
3. The word **On** will be displayed whenever the oven broiler is heating.

When in broil, the oven cooling blower(s) will come on immediately.

Note: Please refer to the **Temperature guidelines from FSIS** on page 9 when broiling meat.



OPERATING INSTRUCTIONS (Oven Lights & Timers)

THE OVEN LIGHTS:

The oven lights operate in both ovens simultaneously for double wall ovens.



1. To see into the oven you may press **Oven Light**.
2. When you open an oven door, the lights in both ovens will come on (in a double oven).

Note: When the oven is in the **Clean** mode the oven lights will not operate since the high self-clean temperatures would shorten the bulb life.

TO SET TIMER 1 OR TIMER 2:

Note: *Timer 1 and Timer 2 do not turn the oven on and off, they are simply timers. Their function is to alert you that the specified time has lapsed.*



To turn an oven **On** and **Off** you must use the **Clock**. See the **Timed Cooking** and **Delayed Timed Cooking** section of this manual (see page 16).



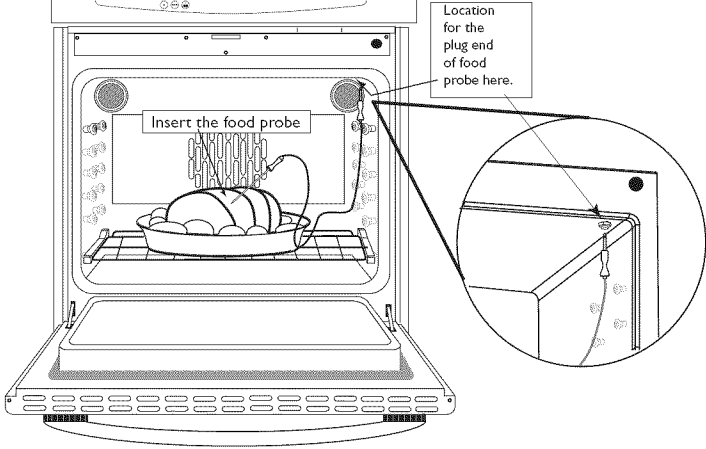
1. Press **Timer 1** or **Timer 2**.
2. Press the number keys from 1 minute up to 11 hours 55 minutes. Pressing 1 to 59 will give that many minutes. 60 minutes is not allowed. Press 1,0,0 for 1 hour (1:00). Pressing 2,1,5 would give 2 hours, 15 minutes (2:15) etc.
3. One minute before the end of the set time the oven will chime once, then the display will show the remaining seconds counting down.
4. At the end of the set time, **End** will display in the clock digits, and the oven will chime 4 times. It will chime twice every 30 seconds for the next 5 minutes, then cancel the timer.
5. To manually cancel the timer; Press **Timer 1** or **Timer 2**; then enter **0**.

OPERATING INSTRUCTIONS (Food Probe)

USING THE FOOD PROBE:

You may use the food probe to cook to the internal temperature of a food product, for more precise cooking (upper oven only on double oven).



1. Insert the tip of the food probe into the food. The first one inch of the probe is where the food temperature will be measured, so position it accordingly into the center of the meatiest portion, one inch from bone. Do not position it next to a bone in the meat, since this will affect the temperature.
 2. Place the food product with the probe already inserted in the oven and insert the plug of the food probe into the receptacle located at the top right front of the oven.
- 
3. Approximately 5 seconds after inserting the probe's plug into the oven receptacle, the flashing word **Probe** will show in the display along with rapid beeping. Press the **Probe** key and enter a probe cooking temperature between 100°F to 200°F using the number keys.
 4. The display will show the actual temperature of the food.
 5. Approximately 5 seconds after entering the probe cooking temperature the words **Conv. Bake** and **Roast** will flash along with rapid beeping. The control is prompting you to enter a cooking mode, so select the mode you wish to use; **Bake**, **Conv. Bake** or **Conv. Roast** (convection modes available in upper oven only on Models WOS-227 and WOS-230.)
 6. Enter the temperature at which you want the oven to cook. Do not confuse this with the internal food temperature (the probe temperature) you set earlier. This will be the temperature of the oven to actually cook the food. Use the number keys to enter a temperature setting from 100°F to 550°F.
 7. The oven will heat to the desired cooking temperature and cycle on & off until it reaches the probe set temperature. The actual probe temperature shows in the display. When the probe set temperature is reached, **End** will show in the display and the oven will chime 4 times, the actual probe temperature will flash and the oven will automatically turn off. The oven will chime once every minute for the next 10 minutes. As the food cools, the flashing probe temperature will show the actual food temperature.
 8. Be careful not to burn yourself when removing the food probe plug from the oven receptacle. Once removed, the probe temperature digits will go blank.
 9. Wash the stainless steel end of the food probe in hot soapy water but **Do Not get the plug end of the probe wet**. When not in use, store in a dry place. It is **not** recommended to leave the probe in the oven when not in use.

WARNING:

Do not leave the food probe in the oven during the self cleaning as the probe will be destroyed.

OPERATING INSTRUCTIONS (Timed Cooking)

USING TIMED COOKING

You can set the cooking time for the following modes: Bake, Convection Bake, or Convection Roast. Only one oven at a time can be timed (on a double oven).

A circular icon with a dark background and white text that reads "COOK TIME".

Cook Time will automatically shut the oven OFF at the specified time and then will chime to signal when it is done. First, set the oven to one of the above mentioned cooking modes (as described in that section, see pages 8~13).

1. To set the oven to cook for a specific length of time, press **Cook Time**. The oven will display **Cook Time U** for the upper or **L** for the lower oven (on a double oven). Set the cook time by pressing the number keys. You may enter cooking times from 5 minutes up to 11 hours and 55 minutes. The display will then read **Timed U** or **L** oven.
2. If both ovens of a double oven are operating, press the mode key for the oven you wish to time. EXAMPLE: If the upper oven is in Bake mode and you want to time the upper oven, press Upper **Bake** then **Cook Time** and enter the time.
3. At the end of the cooking time the oven will turn off automatically, **End** will be displayed and the oven will chime 4 times. The oven will chime once every minute for ten minutes. After that, the clock will return to time of day.

USING DELAYED TIMED COOKING:

Delayed time is for setting the cooking time to start and stop at a later or more convenient time.

A circular icon with a dark background and white text that reads "COOK TIME".

1. You must first set the oven to one of the above mentioned cooking modes. Only one oven at a time can be timed (on a double oven).
2. To set the oven to delay cook, press **Cook Time**. The oven will display **Cook Time U** or **L Oven** (on a double oven). Set the cook time by pressing the number keys. You may enter cooking times from 5 minutes up to 11 hours and 55 minutes.
3. If both ovens are operating, press the mode key for the oven you wish to time. EXAMPLE: If the upper oven is in Convection Bake and the lower oven is in Bake mode and you want to time the upper oven, press Upper **Conv Bake** then **Cook Time** and enter the time.
4. Press **Stop Time**. The oven will display **Stop Time U** or **L Oven** (on a double oven). Enter the time of day you wish the oven to stop cooking using the number keys. The display will read **Delay Timed U** or **L Oven** (on a double oven) with the current time of day.
5. At the end of the cooking time, the oven will turn off, **End** will be displayed and the oven will chime 4 times. The oven will chime once every minute for ten minutes. After that, the clock will return to the time of day.

A circular icon with a dark background and white text that reads "STOP TIME".

OPERATING INSTRUCTIONS (Child Safety & User Options)

USER OPTION: CHILD SAFETY MODE

This mode **will not allow heating in either oven**. Only the Clock, Timer 1 and Timer 2 will operate. This mode does not lock the doors.

1. Press and hold both the **Stop Time** and **Cook Time** keys for 3 seconds. The oven will display **Off** in both temperature digits for 16 seconds. Pressing any inactive key will redisplay **Off** for 16 seconds.
2. Hold both **Stop Time** and **Cook Time** for 3 seconds to clear this mode.

USER OPTION: OVEN CALIBRATION

The oven temperature may be adjusted to suit the customer. It is adjustable by $\pm 35^{\circ}\text{F}$.

1. Set **Bake** 500°F from an off state. Press and hold the **Bake** key for 4 seconds. The **Bake** key must be pressed within 3 seconds of entering 500°F. Once accessed, the current calibration value is displayed in the red temperature digits.
2. To adjust the temperature up, key in a temperature from 5° to 35° in 5° increments using the number keys.
3. To adjust the temperature down, press the **Broil** key until a (-) is displayed in front of the digits then enter a temperature from 5° to 35° in 5° increments. The **Broil** key is used to toggle between positive and negative.
4. After displaying the new calibration temperature for several seconds, the oven will automatically exit the calibration mode.

USER OPTION: TURNING ON OR OFF THE END OF CYCLE CHIMES

The end of a cooking cycle normally has a reminder chime once every minute for ten minutes. A timer end of cycle has two reminder chimes every 30 seconds for 5 minutes. These reminder chimes may be toggled off.

1. Hold down the **Cancel** key for 10 seconds. A chime will sound to indicate that the option is toggled. This same step is used to toggle the chimes **On** or **Off**.

USER OPTION: CHANGING THE 12/24 HOUR CLOCK, OR TEMPERATURE DISPLAY °C OR °F:

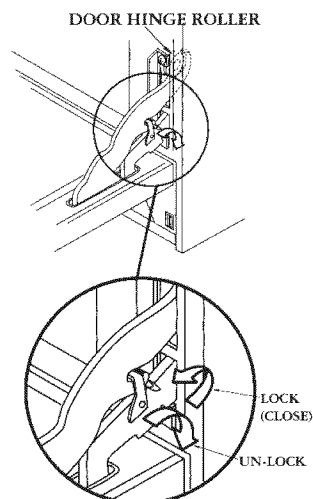
This option is used to toggle between a 12 or 24 hour clock and degrees of Celsius or Fahrenheit.

1. This option is only possible at Power Up. Power to the oven must be turned **Off** at the circuit breaker box then turned back **On** while holding the **Timer 1** key down.
2. The left two digits of the clock will display 12 or 24 to indicate the current option selected. The right digit will display a C or F to indicate the temperature mode selected.
3. The **Bake** key (upper on double oven) will toggle the 12 or 24 hour clock mode.
4. The **Broil** key (upper on double oven) will toggle the Centigrade/ Fahrenheit option.
5. Press **Cancel** key to exit this mode.

CARE AND MAINTENANCE

OVEN DOOR REMOVAL:

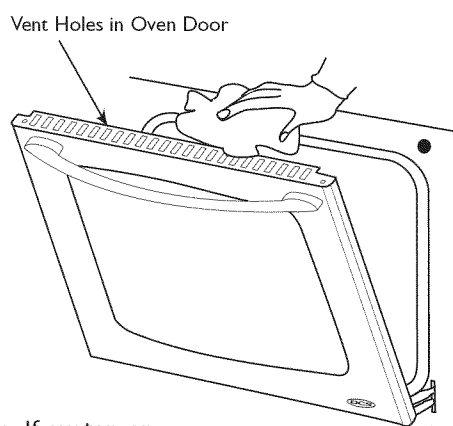
In the event the oven door comes off track, or becomes misaligned, realignment can be achieved by following this simple procedure: Open the door and hold it all the way open. Close the hinge locks. (see illustration) Once both hinges are locked, gently lift the door up and partially out until the door is aligned evenly. Evenly slide the door back into place and check to assure the hinges rest in the center of each door hinge roller. With the oven door fully open, unlock hinge locks and the door is ready to close again.



CLEANING THE PORCELAIN INTERIOR

Be sure the ovens are cool before you start to clean them. The interior is porcelain enamel and is acid resistant, but not acid proof. Therefore, acid foods, such as vinegar, rhubarb, alcohol, citric juices or milk, should be wiped clean and not allowed to bake on even in the **Clean** mode.

Try mild cleaners, such as Bon-Ami®, ammonia, ammonia and water, or Soft Scrub®. Apply the powders on a damp sponge or cloth. Rub lightly. Rinse thoroughly and dry. If food has burned onto the oven and is difficult to remove, soak these spots by placing a cloth saturated with household ammonia directly on the soiled area and allow it to saturate for an hour or two, with the door closed. Afterwards, the food soil should be easy to remove with a damp soapy cloth or mild abrasive.



Take special care when cleaning the door top. Do not use anything abrasive enough to scratch the surface and do not let water or cleaners run down into the vent holes. If water or cleaners spill into the vents they may streak the glass inside the door.

For stubborn stains, a soap filled plastic or non-metal pad can be used. The occasional use of abrasive cleaners is okay. If used too often or vigorously they can eventually harm the enamel. Dampen the pad, rub the surface lightly, rinse thoroughly and dry.

Do not use oven cleaners (such as Easy OFF® or Dow®) on the oven interiors. Commercial oven cleaners are not recommended.

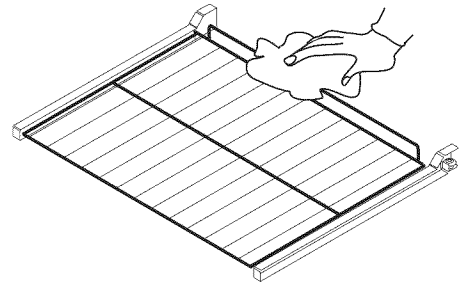
OVEN RACKS

We do not recommend leaving the oven racks in during the self clean, as the high temperature will destroy the chrome finish and make the racks difficult to roll in and out.

Chrome cleaners, such as Soft Scrub®, Cameo® or Bar Keepers Friend® can be applied with a damp sponge following package directions. Rinse and dry. Powdered cleaners such as Bon-Ami® or Comet® are applied with a damp sponge or cloth, rubbed lightly, rinsed and dried. For hard to remove food soil, use a dampened soap filled non-metal pad, rinse and dry.

CARE AND MAINTENANCE

Harsh Cleaners which are commercial oven cleaners, such as Easy Off® or Dow® can be used on the racks, but are not recommended for use on the oven interiors. Additionally, some commercial oven cleaners cause darkening and discoloration. Test the cleaner on a small part of the rack and check for any discoloration before cleaning the entire rack. Apply and allow to stand according to the manufacturer's instructions. Rinse thoroughly and dry.



BRAND NAMES

In this section on cleaning, the use of name brands is intended only to indicate a type of cleaner. This does not constitute an endorsement. The omission of any name brand cleaner does not imply its adequacy or inadequacy. Many products are regional in distribution and can be found in the local markets and department stores.

OVEN LIGHT BULB REPLACEMENT

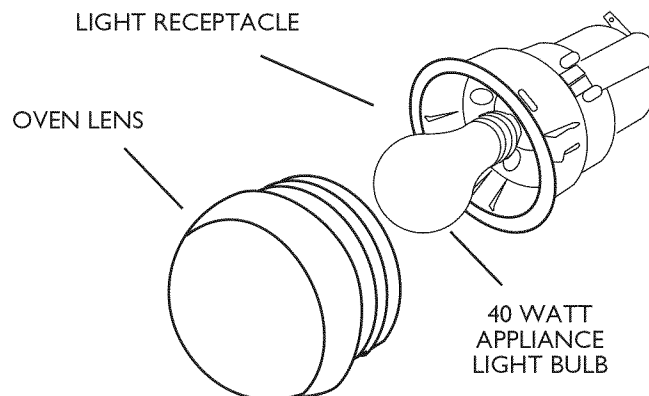
For oven light bulb replacement use only a 40 watt, 120 volt appliance light bulb. These are available in most supermarkets. DO NOT use a standard light bulb in any oven; the heat will break it.

CAUTION:

Be sure the Oven light is OFF and the cover is cool. If the bulb breaks and comes loose from its screw-in base, you must turn off the power to the oven at the circuit panel, before attempting to remove the bulb base from the socket!

TO REPLACE THE LIGHT BULB

1. Be sure the oven light switch is off.
2. Turn the circuit breaker that supplies power to the oven off.
3. Remove the light cover. Turn the cover to the left (counterclockwise) to unscrew it.
4. Remove the burnt out bulb. Replace it with a new 40 watt appliance light bulb only.
5. Replace cover. Turn circuit breaker back on.



CARE AND MAINTENANCE

TO CLEAN THE CONTROL PANEL:

Use paper towels dampened with warm soapy water or glass cleaner sprayed onto a towel or sponge to carefully wipe the control panel clean. Do not spray any cleaning solutions directly on the control panel or display window. Be careful not to use excessive amounts of water. Do not use abrasives of any kind on the control panel.

OVEN DOOR GLASS:

Use any suitable glass cleaner or warm soapy water. Do not use anything that may scratch the glass. Do not use cold cleaner or cloth to clean a hot oven door glass as it can shatter.

CLEANING YOUR OVEN

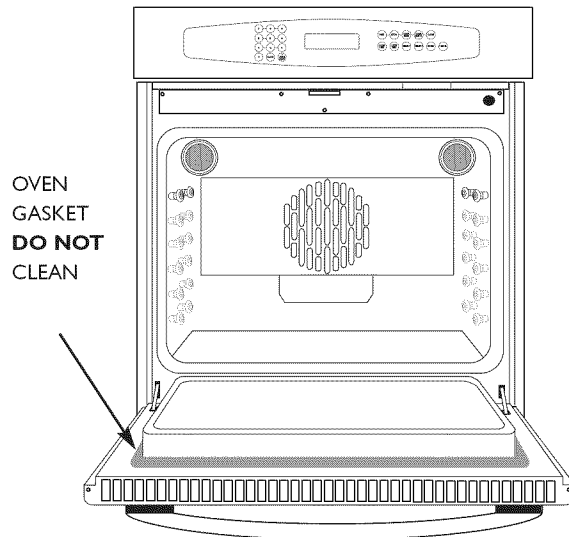
DO NOT CLEAN THE DOOR GASKET!

Be careful not to abuse the door gasket in any way by cleaning, rubbing, removing, etc., which may damage it. A good seal is necessary for energy efficiency and accurate cooking results. If you notice the gasket becoming frayed, worn or damaged in any way, you should have it replaced by a DCS approved Service Technician.

CLEANING THE EXTERIOR FINISH

When cool, the appliance can be cleaned with hot soapy water, rinsed, dried and buffed to a shine with a soft, heavy pile cloth. Always try this first, as it is the mildest form of cleaning.

1. Some brands of cleaners of the same type are harsher than others. Read their instructions. A scent or a propellant can make a difference in the product, read the ingredients. Try on a small inconspicuous area first.
2. On stainless steel models, to avoid marring the surface always rub metal finishes in the direction of the polish (grain) lines. The cleaner will be more effective when used in the direction of the polish lines.
3. Use only clean sponges, soft cloths, paper towels, or plastic non-metal soap pads for cleaning or scouring. Use only soap pads with soap still in them, as a dry pad can scratch the surface.
4. Be sure to rinse thoroughly and wipe dry to avoid water marks.



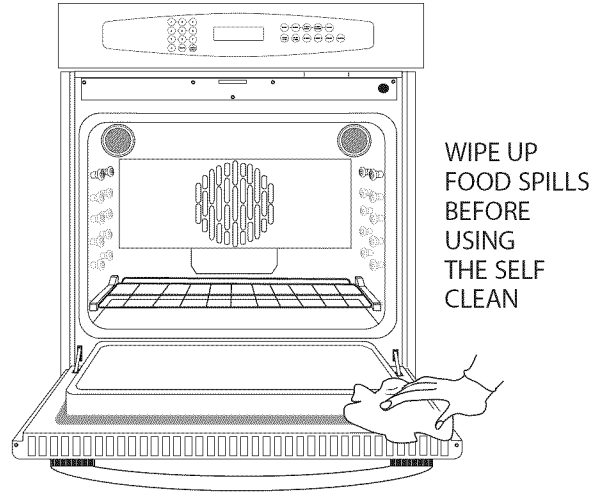
CLEANING YOUR OVEN

USING THE SELF CLEAN MODE:

When the oven is set to the **Clean** mode, the oven temperature will reach 850°F. This high temperature will cause food grime to burn off and disintegrate to ash which is easily wiped clean.

WARNING:

Allow the interior oven door glass to cool before wiping after a self clean cycle as the glass will be susceptible to breakage if wiped with a wet or damp cloth immediately after the clean cycle.



WARNING:

Do not leave the food probe in the oven during the self cleaning as the probe will be destroyed.

1. Remove the oven racks. The oven racks **must not** be left in the oven during self clean as the high temperature will destroy their chrome finish, preventing them from rolling freely.
2. Select the appropriate upper or lower oven **Clean**. The oven will display **Time U** or **L Oven Clean** (on a double oven).
3. Set the clean time. Press any number key, and **4:00** will be displayed. This is the maximum clean time. You may accept the default time or select any time between 2 and 4 hours. During the clean, the broiler and hidden bake element will operate. The oven cooling blower(s) will come on immediately when in **Clean**.
4. The door lock motor will then lock the door. In less than one minute, the words **Lock** and **On** will appear in the display. The door cannot be opened. The oven will heat to 850°F and at the end of the clean cycle, the oven will turn off. **Lock** will appear in the display until it is safe to open the door, at which time the door will automatically unlock.

WARNING:

Allow the interior oven door glass to cool before wiping after a self clean cycle as the glass will be susceptible to breakage if wiped with a wet or damp cloth immediately after the clean cycle.

5. Delayed Clean:

You may also set the oven to clean automatically at a delayed and more convenient time.

Set the oven to **Clean** as described above. Press **Stop Time**. The oven will display the current stop time (starting now, and ending after the clean time). Enter a stop time using the number keys, later than displayed, up to 11 hours and 55 minutes after the start time. The oven will

CLEANING YOUR OVEN

momentarily display the stop time, then the delay start time, and then it will revert back to clock time. **Delay** will be displayed until the oven starts cleaning.

CAUTION:

Before setting the self clean, remove all items from the oven and clean up any liquid and/or loose grease spills, or there may be excessive smoking. Some smoking is normal during the self clean process.

Only one oven may be cleaned at a time for a double oven. When one oven is in the cleaning mode the other oven cannot be used for any heating mode.

If **Door** is displayed with rapid beeping, close the door and try setting the self clean again.

USING THE SELF CLEAN MODE (continued)

Note: During the self clean the kitchen should be well ventilated to help eliminate normal odors due to the process.

Clean oven(s) as needed. The self clean works very well on a heavy build-up, but it may be necessary to keep the edges around the oven doors clean by hand as these areas do not receive the high temperature during the self cleaning. Remember to be careful cleaning near the oven gasket, do not damage it.

Do not touch the oven glass or the oven doors during the self clean as the extreme temperature may cause them to get hot.

To cancel the self clean just press the **Cancel** function key for the appropriate oven (on a double oven) on the control panel. The oven door will be locked and will remain locked until it has cooled to a safe temperature.

WARRANTY

LENGTH OF WARRANTY

One (1) Year Full parts and Labor Covers the entire product.

Ten (10) Years Limited Porcelain oven, porcelain inner door panel.

Any cosmetic defects must be reported within 30 days from date of installation.

Record of model/serial number.

Model _____

Serial No. _____

Warranty begins from date of purchase or 10 days from date of delivery.

DCS WILL PAY FOR

All repair labor and parts found to be defective due to materials or workmanship for one full year "IN HOME" warranty from date of purchase. This does not apply if the unit was subjected to other than normal household use. Service must be provided by Authorized Factory Technician during normal working hours. No charges will be made for repair or replacement at the location of initial installation or factory for parts returned pre-paid, through the dealer and claimed within the warranty period, and found by DCS to be defective.

Replacement will be F.O.B. DCS, and DCS will not be liable for any transportation costs, labor costs, or export duties. This warranty shall not apply, nor can we assume responsibility for damage that might result from failure to follow manufactures instructions or local codes, where the appliance has been tampered with or altered in anyway or which, in our judgement, has been subjected to misuse, negligence, or accident.

DCS WILL NOT PAY FOR

- Installation or start-up.
- Shipping damage.
- Service by an unauthorized agency.
- Damage or repairs due to service by an unauthorized agency or the use of unauthorized parts.
- Service during other than normal working hours.
- Improper installation, such as improper hook-up, etc.
- Service visits to teach you how to use the appliance; correct the installation; reset circuit breakers or replace home fuses.
- Repairs due to other than normal household use.
- Damage caused from accident, abuse, alteration, misuse, incorrect installation or installation not in accordance with local codes.
- Units installed in non-residential application such as day care centers, bed and breakfast centers, churches, nursing homes, restaurants, hotels, schools, etc.

This warranty applies to appliances used in residential applications; it does not cover their use in commercial situations.

This warranty is for products purchased and retained in the 50 states of the U.S.A., the District of Columbia and Canada. This warranty applies even if you should move during the warranty period. Should the appliance be sold by the original purchaser during the warranty period, the new owner continues to be protected until the expiration date of the original purchaser's warranty period.

WARRANTY

This warranty gives you specific legal rights. You may also have other rights which vary from state to state.

This warranty is in lieu of all other warranties, express or implied, and all implied warranties, including warranties of merchantability and fitness for a particular purpose, are hereby disclaimed to the full extent permitted by law. To the extent that implied warranties may not be disclaimed, the duration of any implied warranties, including implied warranties of merchantability and fitness for a particular purpose, are limited to the duration of this express warranty. This warranty gives you specific legal rights. You may also have other rights which vary from state to state.

SERVICE

HOW TO OBTAIN SERVICE:

For warranty service, contact your local DCS authorized service agency. Provide him/her with the Model Number, Serial Number, and date of installation, and a brief description of the problem. If you need assistance in locating the authorized service agency in your area please contact our DCS Customer Service Representative for an authorized service agent near you. Our number is (888) 281-5698, Monday thru Friday, 6 am - 4:30 pm PST.

Your satisfaction is of the utmost importance to us. If a problem cannot be resolved to your satisfaction, please write or fax us at:

Write:

DCS
Attention: Customer Service
5800 Skylab Road
Huntington Beach, CA 92647

BEFORE YOU CALL FOR SERVICE:

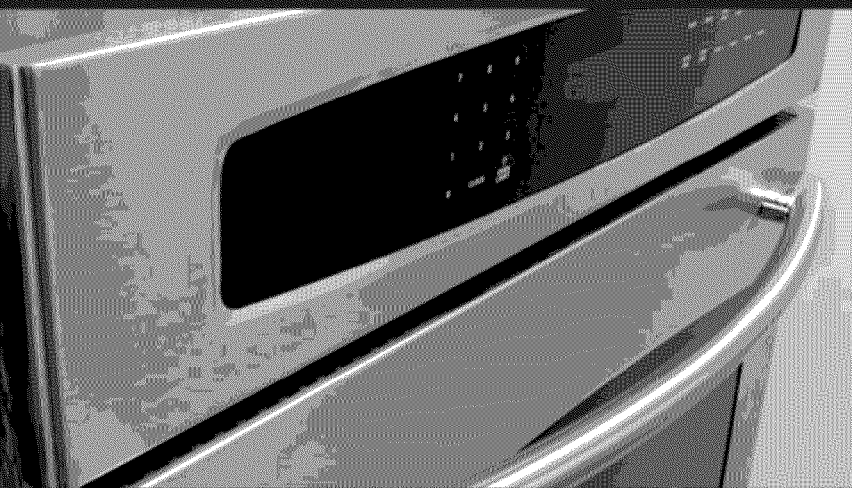
1. Is the circuit breaker tripped or the fuse blown?
2. Is there a power outage in the area?
3. Have you recently set the child safety mode? See page 17 for resetting.



PERFECT HEAT.

FOUR MURAL

Manuel d'utilisation et d'entretien



MODELS:

WOS-227
WOS-230

WOSD-227
WOSD-230

WOS-127
WOS-130



À L'INTENTION DE NOS CLIENTS

Nous vous remercions d'avoir choisi ce four mural professionnel DCS. Nous avons conçu ce Manuel d'utilisation et d'installation pour expliquer ses fonctions uniques. Il contient des informations extrêmement utiles sur la façon de faire fonctionner et d'entretenir correctement votre nouvel appareil. Vous pourrez ainsi en profiter pendant des années en toute sécurité.

Aidez-nous à mieux vous servir en remplissant la Carte d'enregistrement du propriétaire et en nous la soumettant depuis notre site Web à www.dcsappliances.com. Sélectionnez « Service à la clientèle » sur la page d'accueil puis « Enregistrement du propriétaire », ou envoyez-nous par courrier la Carte d'enregistrement du propriétaire à l'adresse ci-dessous. De plus, gardez ce manuel à portée de main afin de rapidement trouver réponse à vos questions durant l'utilisation de votre nouvel appareil.

ou par courrier :
DCS
Attention: Customer Service
5800 Skylab Road
Huntington Beach, CA 92647

AVERTISSEMENT

Toute installation, ajustement, altération ou entretien incorrect peut causer des dommages matériels, des blessures ou la mort. Veuillez lire soigneusement ces instructions d'installation, d'utilisation et d'entretien avant d'utiliser, installer ou effectuer l'entretien de cet appareil.

AVERTISSEMENT

Évitez de stocker ou d'utiliser de l'essence ou tous autres liquides et vapeurs inflammables à proximité de cet appareil ou de tout autre appareil électroménager.

AVERTISSEMENT RELATIF À LA SÉCURITÉ :

Coupez le circuit électrique au niveau du panneau de service et verrouillez le panneau avant de brancher cet appareil électroménager. Alimentation : Circuit de branchement de 120/240 V c.a., 60 Hz, 50 A 4 fil.

AVERTISSEMENT

NE VERSEZ PAS d'eau sur les feux de graisse. Éteignez le four mural, puis étouffez le feu avec du bicarbonate de soude ou à l'aide d'un extincteur à poudre ou à mousse.

VEUILLEZ CONSERVER CE MANUEL À TITRE DE RÉFÉRENCE.

TABLE DES MATIÈRES

MESURES DE SÉCURITÉ ET DE PRÉCAUTION

Lire attentivement avant d'utiliser votre nouvel appareil	3~4
---	-----

CARACTÉRISTIQUES DU FOUR	5
---------------------------------------	---

MODE D'EMPLOI

Affichage du four, réglage de l'horloge.....	6
Description des modes du four	7
Cuisson	8-9
Cuisson par convection.....	10-11
Rôtissage à convection	12
Gril	13
Lampes de four et minuteurs.....	14
Sonde	15
Cuisson minutée	16
Sécurité pour enfant et option de l'utilisateur.....	17

ENTRETIEN ET MAINTENANCE

Porte du four, intérieur et grilles du four.....	18
Remplacement de l'ampoule	19
Panneau de contrôle et vitre de la porte du four	20

NETTOYAGE DU FOUR

Finition en acier inoxydable.....	20
Mode d'autonettoyage	21~22

GARANTIE	23-24
-----------------------	-------

POUR L'OBTENTION DE SERVICE	25
--	----

MESURES DE SÉCURITÉ ET DE PRÉCAUTION

Nous vous remercions d'avoir choisi ce four mural professionnel DCS. Nos produits sont conçus pour être sécuritaires et fiables dans la mesure où ils sont entretenus correctement et utilisés de manière responsable. Faites extrêmement attention quand vous utilisez cet appareil professionnel, car il dégage une chaleur intense qui peut augmenter les risques d'accidents. Vous devez respecter des consignes de sécurité élémentaires durant l'utilisation d'appareils de cuisine, dont celles-ci :

- **Lisez** attentivement ce manuel d'utilisation et d'entretien avant d'utiliser votre nouvel appareil. Ceci vous permettra de réduire les risques d'incendie, de choc électrique ou de blessures.
- **Commencez** par vous assurer que l'installation et l'entretien sont effectués correctement. Suivez les instructions d'installation fournies avec cet appareil. Avant d'utiliser l'appareil, confiez son installation et sa mise à la terre à un technicien qualifié.
- **Évitez** de réparer ou de remplacer les pièces de cet appareil, sauf indication contraire du manuel. Tout autre travail d'entretien doit être confié à un technicien qualifié. Celui-ci doit débrancher le bloc d'alimentation avant de travailler sur l'appareil.



AVERTISSEMENT :

Cet appareil électroménager est destiné à la cuisson. N'utilisez jamais le four pour réchauffer ou chauffer une pièce.

- Utilisez **seulement des gants isolants secs** : l'emploi de gants humides sur des surfaces chaudes peut provoquer des brûlures causées par la vapeur. N'utilisez pas de serviette ou de linge épais à la place de gants isolants.
- Utilisez uniquement des plats allant au four, car les plats non adéquats ne sont pas thermorésistants et peuvent casser sous l'effet d'une chaleur intense ou de changements thermiques dramatiques, comme par exemple si l'on chauffe des aliments réfrigérés dans un four préchauffé.
- **Ne chauffez pas de contenant de nourriture fermé** car la pression pourrait s'accumuler et le faire exploser, entraînant ainsi des blessures.
- Pour éviter de vous brûler lorsque vous utilisez le four, **évitez de toucher les surfaces intérieures du four ou la surface extérieure autour de la porte** tant que l'appareil n'a pas refroidi.
- Évitez de toucher ou de laisser des produits inflammables toucher l'élément chauffant. Même si sa couleur semble foncée, il se peut qu'il soit suffisamment chaud pour causer des brûlures ou mettre le feu à des produits inflammables; laissez-lui le temps de refroidir.
- **Ne recouvrez avec du papier aluminium** aucune partie du four. L'utilisation de papier aluminium peut créer un risque d'incendie ou empêcher la circulation de l'air de ventilation. C'est un excellent isolant thermique qui peut emprisonner la chaleur, laquelle peut alors affecter la performance de l'appareil. Vous pouvez tapisser la lèchefrite de papier aluminium. Toutefois, si vous recouvrez le dessus de la lèchefrite, prenez soin de faire des fentes dans le papier aluminium pour laisser la graisse s'écouler.
- **Les enfants ne doivent pas être laissés seuls** ou sans surveillance dans un endroit où l'on utilise des appareils électroménagers. Il ne faut jamais les laisser tourner ou enfoncer des boutons, ni s'asseoir ou se tenir debout sur ces appareils.
- Des enfants en marchette ou à quatre pattes peuvent être attirés par la poignée ronde de la porte et la saisir pour ouvrir la porte du four. Ils pourraient alors se blesser si la porte est ouverte ou se brûler sérieusement si le four fonctionne et qu'il est chaud.

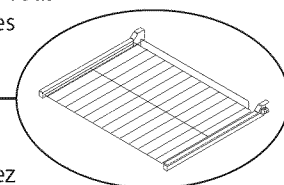


AVERTISSEMENT :

Évitez de ranger sur l'appareil ou à proximité des articles pouvant attirer les enfants. Les enfants peuvent être blessés sérieusement s'ils grimpent sur l'appareil pour atteindre ces articles.

CONSIGNES DE SÉCURITÉ POUR ÉVITER LES BLESSURES

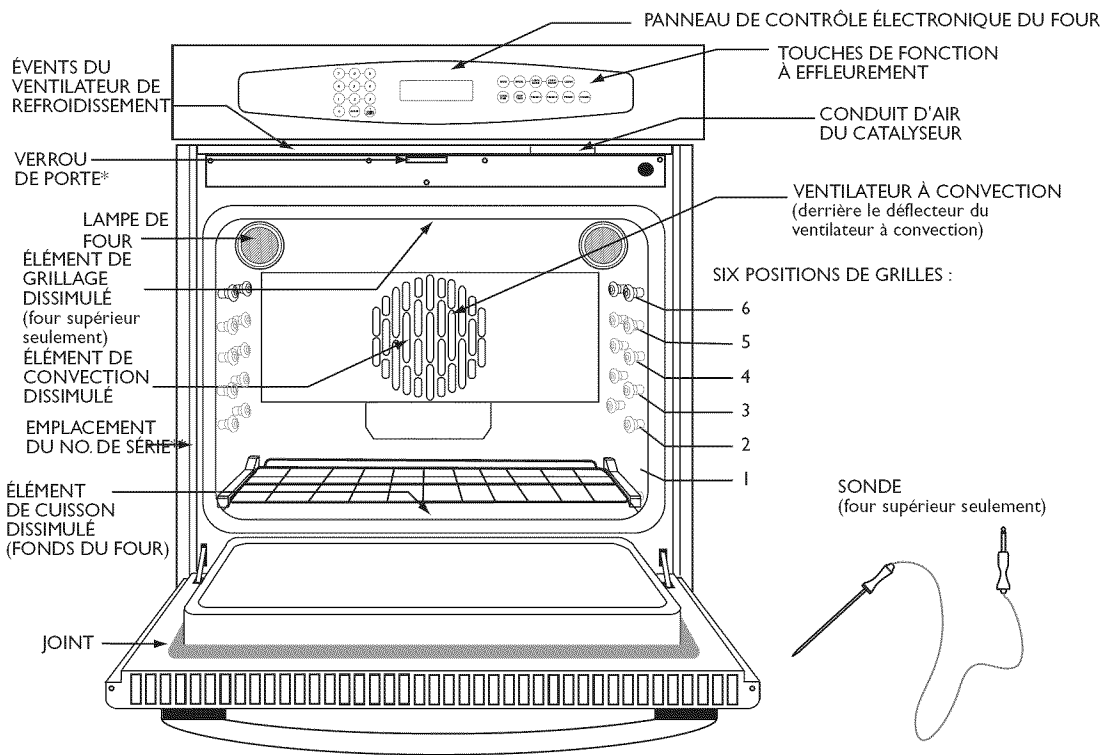
- **Ne rangez jamais rien dans le four.** Des matériaux inflammables pourraient prendre feu, des éléments en plastique pourraient fondre ou s'enflammer et d'autres types d'objets pourraient être détruits ou endommager la surface intérieure de l'appareil.
- **Évitez** de suspendre des articles sur l'appareil ou de placer des objets contre le four. Certains matériaux sont très inflammables et pourraient prendre feu.
- **Ne versez pas d'eau sur les feux de graisse.** ÉTEIGNEZ le four, puis étouffez le feu avec du bicarbonate de soude ou à l'aide d'un extincteur à poudre ou à mousse.
- **Évitez** de bloquer la circulation de l'air de combustion ou de ventilation. Assurez toujours un apport d'air frais, particulièrement durant le cycle d'autonettoyage.
- Pour des raisons de sécurité et pour ne pas endommager l'appareil, évitez de vous asseoir, de monter sur ou de vous appuyer contre la porte du four.
- **Veillez à ne pas** frotter, endommager, déplacer ou enlever le joint de la porte car il est essentiel à l'obtention d'une bonne cuisson.
- **Placez les grilles de four à la position voulue quand le four est froid.** Si vous devez déplacer une grille alors que le four est encore chaud, ne laissez pas les gants isolants toucher l'intérieur chaud du four.
- **Placez les grilles du four endroit vers le haut** pour éviter les brûlures ou le déversement des aliments.
- Nettoyez le four avec précaution. Évitez de vous brûler à la vapeur : n'utilisez pas d'éponge ou de chiffon mouillé pour nettoyer l'appareil alors qu'il est encore chaud. Certains produits de nettoyage dégagent des vapeurs nocives au contact d'une surface chaude. Respectez le mode d'emploi du fabricant du produit de nettoyage.
- Assurez-vous que les boutons du four sont fermés et que l'appareil est froid avant d'utiliser des nettoyants aérosol sur l'appareil ou à proximité. L'élément chimique qui produit le jet de vaporisation peut, en présence de chaleur, s'enflammer ou provoquer la corrosion des parties métalliques.
- **Nettoyez fréquemment le four** afin d'empêcher à l'intérieur du four toute accumulation de graisse provenant des vapeurs de cuisson.
- **Faites attention quand vous ouvrez une porte de four chaud;** pour éviter tout risque de brûlures graves, ouvrez lentement en laissant s'échapper l'air chaud ou la vapeur avant de retirer ou d'introduire des aliments.
- **N'ouvrez jamais la porte du four en présence d'enfants.** Ils pourraient entrer en contact avec les surfaces intérieures chaudes du four et subir de graves brûlures.
- **Gardez les conduites d'évent du four dégagées.** Assurez une bonne ventilation.
- Pour assurer votre propre sécurité, **habiliez-vous de façon appropriée.** Ne portez jamais de vêtements ou de manches lâches lorsque vous utilisez l'appareil. Certains tissus synthétiques sont extrêmement inflammables et ne doivent pas être portés pendant la cuisson.
- Durant et après l'utilisation, évitez de toucher les surfaces intérieures du four et laissez suffisamment de temps pour refroidir.
- Durant et après l'utilisation, ne laissez pas des vêtements ou autre produit inflammable toucher les surfaces intérieures du four car ils pourraient prendre feu; laissez suffisamment de temps pour refroidir.
- Durant et après l'utilisation, certaines surfaces extérieures peuvent devenir suffisamment chaudes au point de provoquer des brûlures si on les touche. Il s'agit des ouvertures d'aération du four et des zones près de ces ouvertures, de la vitre de la fenêtre du four et des portes du four. Utilisez toujours des gants de cuisine ou des gants isolants à titre de protection.
- **Condensation :** Une certaine quantité d'humidité s'évapore de la nourriture durant toute cuisson. L'humidité contenue dans les aliments détermine la quantité d'humidité qui se condense dans le four. L'humidité se condense sur toute surface qui est plus froide que l'intérieur du four. Durant la cuisson au four d'un aliment très humide, la condensation peut s'accumuler dans le four, près du panneau de contrôle ou du haut de la porte du four utilisé, à proximité des conduits du catalyseur.



CARACTÉRISTIQUES DU FOUR


Votre nouveau four mural de style professionnel est fabriqué selon nos hautes normes de qualité et nous sommes certains que vous en serez satisfait pendant des années. Vous trouverez ci-dessous quelques unes des caractéristiques spéciales de votre nouvel appareil électroménager. Ce four comporte 6 grilles de cuisson dans le cas d'un four double et 3 grilles de cuisson dans le cas d'un four simple; sonde thermique, 2 minuteurs de four, cuisson minutée et différée, élément de cuisson dissimulé, élément de convection véritable dissimulé, élément de grillage dissimulé, grande fenêtre de four, lampes de four synchronisées, autonettoyage et verrou de porte de four motorisé.

Les modèles WOS-227 et WOS-130-230 comportent un système à convection et une lèchefrite dissimulée dans le four supérieur seulement (élément de grillage tubulaire utilisé dans l'élément inférieur). Les modèles WOSD-227 et WOSD-230 sont des appareils complets dotés d'un système à convection et d'une lèchefrite dissimulée dans les fours supérieur et inférieur.



*Le verrou de porte fonctionne uniquement en mode d'autonettoyage
Four double illustré ici.

**Exemple
d'autocollant :

DYNAMIC COOKING SYSTEMS INC. HUNTINGTON BEACH, CA 92647		
MODEL No: DCS-WO-2275S	ELECTRICAL RATING	
SERIAL No: 03E49585A	240/120 VAC, 60HZ	
STANDARD: UL 858 FOR HOUSEHOLD ELECTRIC RANGES	60 AMP, 1 PH	

MODE D'EMPLOI

Vous pouvez utiliser votre nouveau four mural électrique dans quatre modes de cuisson; cuisson, cuisson par convection, rôtissage à convection et grillage. Sur les modèles doubles, vous pouvez utiliser les deux fours pour cuisiner en même temps, quel que soit le ou les modes de cuisson, et vous pouvez utiliser jusqu'à six positions de grille dans chaque four. Lisez d'abord ces informations afin de déterminer le type de cuisson approprié. Rappelez-vous que ce four est neuf et que la précision de son dispositif de contrôle a été vérifiée. Étant donné les variations de régulation de température entre votre ancien four et votre nouveau four mural DCS, il serait bon de vérifier la durée de cuisson et la température indiquées sur vos recettes afin d'obtenir le résultat voulu.

L'AFFICHAGE DU FOUR :

- Les chiffres de l'horloge et les fonctions se trouvent sur le côté gauche de l'affichage du four et sont en bleu.
- Les chiffres de température et les fonctions de chauffage du four supérieur se trouvent au milieu de l'affichage et sont en rouge (fours doubles).
- Les chiffres de température et les fonctions de chauffage du four inférieur se trouvent sur le côté droit de l'affichage et sont en rouge.
- Si vous saisissez des informations incorrectes ou incomplètes, le four vous l'indique en affichant Err dans l'horloge et en émettant plusieurs bips rapides.

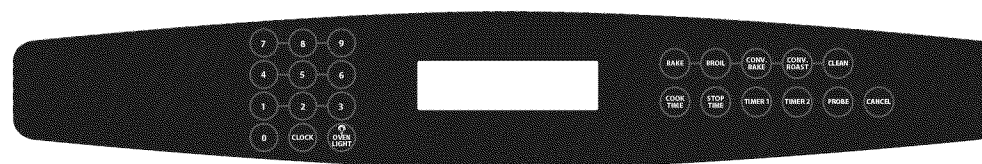
Panneau de contrôle de four double – Modèles WOSD-227/230



Panneau de contrôle de four double – Modèles WOS-227/230



Panneau de contrôle de four simple



POUR RÉGLER L'HORLOGE :

1. Appuyez sur Clock. L'affichage indique l'heure. Entrez la bonne heure en appuyant sur les touches numériques.
2. Environ 5 secondes après la saisie du dernier chiffre, la nouvelle heure est réglée, ou vous pouvez la saisir immédiatement en appuyant sur Clock de nouveau.



Remarque : Il n'est pas possible de régler l'horloge lorsque le four est dans un mode minuté (cuisson, cuisson par convection, rôtissage à convection, ou nettoyage minuté).

Après une coupure de courant, l'horloge clignote en indiquant l'heure de la coupure. Tous les modes de cuisson sont alors annulés.

MODES DU FOUR :



CUISSON – En mode de **cuisson** normale, l'élément de cuisson est constamment allumé (lorsque la température est inférieure au niveau établi) et l'élément de grillage s'allume et s'éteint par impulsion (lorsque la température est inférieure au niveau établi).



CUISSON PAR CONVECTION – En mode de **cuisson par convection** l'élément de convection est constamment allumé (lorsque la température est inférieure au niveau établi) et l'élément de cuisson dissimulé s'allume et s'éteint par impulsion (lorsque la température est inférieure au niveau établi). Le mode de cuisson par convection est disponible dans le four supérieur seulement sur les modèles WOS-227/230.



RÔTISSAGE À CONVECTION – Lorsque le mode de **rôtissage à convection** est activé, l'élément de convection est constamment allumé (lorsque la température est inférieure au niveau établi) et l'élément de grillage externe s'allume et s'éteint par impulsion (lorsque la température est inférieure au niveau établi). Le mode de rôtissage à convection est disponible dans le four supérieur seulement sur les modèles WOS-227/230.



GRILLAGE – En mode de **grillage**, l'élément de grillage est constamment allumé (lorsque la température est inférieure au niveau établi).



NETTOYAGE – En mode de **nettoyage**, les éléments de cuisson et de grillage s'allument et s'éteignent par impulsion. La température de nettoyage du four est d'environ 455 °C (850 °F).



SONDE – Lorsque vous vous servez de la **sonde** de température, vous pouvez utiliser n'importe quel mode de cuisson en entrant la température voulue pour les aliments à cuire. Lorsque la température des aliments atteint la température définie par l'utilisateur, une tonalité est émise et le four se met en mode d'attente.

REMARQUE : *Vous pouvez utiliser les deux fours en même temps, quels que soient les modes de cuisson.*

MODE D'EMPLOI (Cuisson)

CUISSON :

Le mode de **cuisson** fonctionne à l'air chaud sans ventilateur. Le mouvement d'air provient d'une convection naturelle : à mesure que l'air se réchauffe, il s'élève vers le plafond du four. Le mode de cuisson normal a fait ses preuves en tant que meilleur mode de cuisson pour la plupart des résultats recherchés.

BAKE

Exemples d'aliments appropriés pour le mode de cuisson au four :

- Hors-d'œuvre
- Tartes, gâteaux
- Pains
- Desserts
- Plats principaux
- Repas au four
- Volaille
- Rôtis

Pour obtenir les meilleurs résultats avec la cuisson au four :

- Utilisez les quantités et les ingrédients de la recette, y compris les dimensions et la forme d'ustensile de cuisson recommandés dans la recette.
- Évitez d'ouvrir la porte du four. Allumez plutôt la lampe intérieure du four et regardez par la fenêtre.
- Évitez d'utiliser le four comme lieu de rangement.
- Si vous utilisez des ustensiles en verre, baissez la température de 4 °C (25 °F).
- Utilisez le minuteur et réglez-le à la durée minimum suggérée.

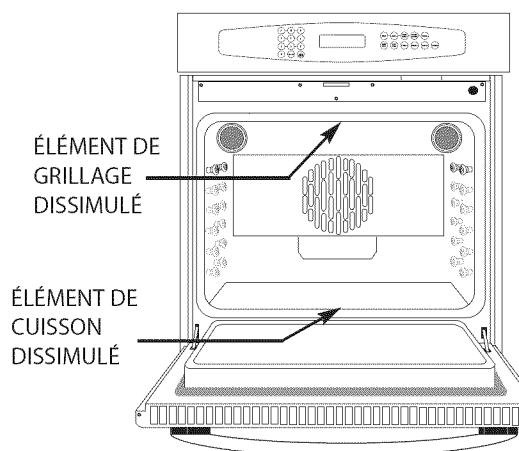
UTILISATION DU MODE DE CUISSON :

Le mode de cuisson normal utilise les éléments de cuisson et de grillage.

1. Appuyez sur la touche de fonction **Cuisson** du haut ou du bas. Appuyez sur les touches numériques pour régler la température de cuisson de 40 °C à 290 °C (100 °F à 550 °F).
2. **Bake**, **Preheat** et **On** s'affichent jusqu'à ce que le four atteigne la température choisie. À ce moment-là, un carillon sonne une fois et les mots **On** et **Preheat** ne s'affichent plus. Le four est maintenant prêt pour la cuisson. Le mot **On** s'affiche chaque fois que le four nécessite davantage de chaleur pour maintenir la température choisie.

*Remarque : Durant la cuisson, le four ne peut chauffer si sa porte est ouverte. Il se peut que le mot **On** s'affiche, mais cela indique seulement que la température du four est trop basse et que le four se remettra à fonctionner normalement une fois la porte fermée.*

DURANT LA CUISSON

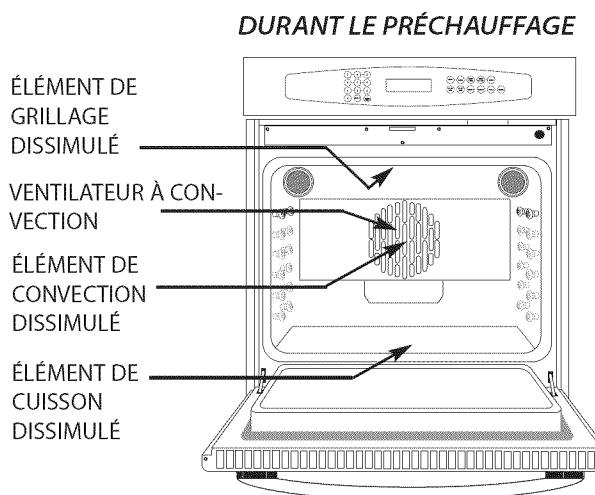


Le ou les ventilateurs de refroidissement du four peuvent se mettre en marche et s'arrêter automatiquement durant la cuisson.

MODE D'EMPLOI (Cuisson)

Durant le préchauffage avant la cuisson :

L'élément de cuisson dissimulé, l'élément de convection dissimulé et l'élément de grillage fonctionneront ainsi que le moteur à convection (four supérieur seulement sur les modèles WOS-227/230). Après le **préchauffage** seuls l'élément de grillage et l'élément de cuisson dissimulé sont utilisés.



TEMPÉRATURE CONSEILLÉE PAR LE FSIS (Food Safety and Inspection Service)

65 °C (145 °F)

- Bœuf, agneau et veau, (moyen = 70 °C/160 °F) biftecks et rôtis, mi-saignant*

70 °C (160 °F)

- Hamburger, pain de viande, porc, veau et agneau*
- Côtelettes de porc, côtes et rôtis*
- Plats aux œufs

75 °C (165 °F)

- Dinde et poulet hachés*
- Farce et plats en cocotte*
- Restes

77 °C (170 °F)

- Poitrine de poulet et de dinde*

82 °C (180 °F)

- Volaille entière, pattes, cuisses et ailes de poulet et de dinde*
- Canard et oie*

Veillez noter que les informations de ce tableau sont données à titre indicatif seulement. Donnez la préférence aux recommandations de votre recette.

** Réduire de 5° avant d'atteindre la température interne et recouvrir de papier aluminium. Laissez reposer pendant 15 à 20 minutes.*

MODE D'EMPLOI (Cuisson par convection)

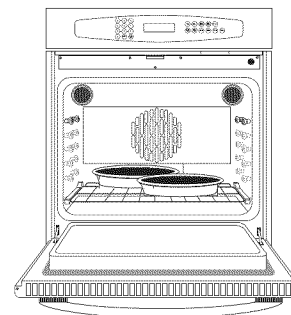
CUISSON PAR CONVECTION :

La cuisson par convection utilise le ventilateur à l'arrière du four pour faire circuler l'air chaud en continu autour des aliments afin d'assurer une cuisson plus précise. Cet air réchauffe et cuit la surface des aliments, ce qui permet de cuire la plupart des aliments à des températures inférieures ou en moins de temps que ne le ferait une cuisson au four à température normale. Les aliments nécessitant une durée de cuisson plus longue, tels que les gros morceaux de viande ou autres aliments, peuvent être cuits dans des ustensiles de cuisson peu profonds. Vous remarquerez une économie de temps avec des aliments soufflés cuits par convection. Vous pouvez également sauver du temps en utilisant plusieurs grilles en même temps, car cela permet de cuire plus d'aliments à la fois. N'oubliez pas de toujours préchauffer le four jusqu'à ce le voyant de préchauffage s'éteigne.

**CONV.
BAKE**

Exemples d'aliments appropriés pour la cuisson par convection :

- Pains
- Biscuits
- Muffins
- Pizzas
- Tartes
- Croûtes de pâtisserie
- Pâtes feuilletées
- Gâteau des anges
- Soufflés
- Gâteau mousseline



Pour obtenir les meilleurs résultats avec la cuisson par convection :

- Utilisez les quantités et les ingrédients de la recette, y compris les dimensions et la forme d'ustensile de cuisson recommandées dans la recette.
- Évitez d'ouvrir la porte du four. Allumez plutôt la lampe intérieure du four et regardez par la fenêtre.
- Évitez d'utiliser le four comme lieu de rangement.
- Les ustensiles en métal donnent de meilleurs résultats que ceux en verre pour la cuisson par convection. Si vous utilisez du verre, vous n'avez généralement pas besoin de diminuer la température de cuisson.
- Utilisez un minuteur et réglez-le à une durée inférieure à la durée minimum suggérée sur la recette.
- La première fois que vous utilisez une recette en mode de convection, prenez soin de noter la nouvelle durée de cuisson sur la recette pour consultation future.
- Prenez soin de lire les informations de base au sujet de la convection avant d'utiliser le four pour la première fois.
- N'oubliez pas que les résultats en matière de cuisson par convection varient. Par comparaison à la cuisson par convection, la cuisson normale donne souvent un aspect plus savoureux. Par contre, la cuisson par convection vous permet de cuire davantage d'aliments à la fois.
- La cuisson par convection est recommandée dans la plupart des cas s'il s'agit d'une cuisson avec plusieurs grilles, en particulier avec trois grilles ou plus. De nombreux aliments peuvent être préparés sur plusieurs grilles en même temps, tels que biscuits, muffins, gâteaux, tartes, pizzas et autres. Voir nos recettes sur notre site Web : www.dcsappliances.com.

Conversion des recettes pour la cuisson par convection :

Les meilleurs résultats sont obtenus avec des ustensiles de cuisson peu profonds, car l'air chaud peut atteindre les aliments de tous les côtés plus facilement. Laissez la température du four identique à celle de la recette mais faites cuire les aliments pendant une durée plus courte. **La cuisson prendra probablement autant de temps** que l'indique la recette même si vous baissez la température de 25 °F. Si vous trouvez que les aliments ont suffisamment brunis à l'extérieur mais qu'ils ne sont pas cuits au centre, abaissez de nouveau la température de 25 °F et augmentez la durée de cuisson. Si vous réduisez la température, vérifiez toujours le degré de cuisson, une minute ou deux avant l'écoulement de la durée minimum indiquée sur la recette, car vous pouvez toujours augmenter la durée de cuisson. Certaines recettes prennent moins de temps que d'autres. Il n'est pas possible de prédire exactement la durée de cuisson de chaque recette lorsqu'on les convertit pour la cuisson par convection. Il vous sera plus facile d'utiliser la convection après quelques essais à mesure que vous comprendrez mieux son fonctionnement.

MODE D'EMPLOI (Cuisson par convection)

Sélection des ustensiles pour la cuisson par convection :

La cuisson par convection n'exige pas d'ustensiles de cuisson particuliers. Toutefois, tenez compte de son matériau, de ses dimensions et de sa forme, car tout cela affecte la durée de cuisson, la saveur et l'aspect du produit fini.

Les plats de cuisson en métal (aluminium, acier et fonte) réduisent la durée de cuisson et donnent un meilleur résultat final. Les plats en aluminium conviennent pour tout type d'aliment cuit au four. Pour obtenir un meilleur brunissage dans la cuisson de tartes et de pains, utilisez un plat au fini foncé ou terne capable d'absorber la chaleur. Un fini brillant est plus approprié pour les gâteaux et les biscuits, car il reflète une partie de la chaleur et constitue une surface de cuisson moins intense. Pour rôtir, utilisez le fond de la lèchefrite et élevez la viande sur une grille à rôtir métallique. Les ustensiles en vitrocéramique ou en verre ne conduisent pas la chaleur aussi bien que le métal; utilisez-les pour des aliments tels que les soufflés qui n'exigent pas une croûte brun foncé ni d'être croustillants.

La cuisson au four est plus rapide et uniforme si les portions sont plus petites : deux ou trois petits morceaux donnent un meilleur résultat qu'une seule grosse portion. S'il s'agit d'un aliment en un seul morceau, placez-le toujours au centre de la grille. S'il y a plusieurs morceaux, espacez-les uniformément sur la ou les grilles.

UTILISATION DU MODE DE CUISSON PAR CONVECTION :

Le mode de cuisson par convection utilise l'élément de cuisson par convection et l'élément de cuisson dissimulé.

1. Appuyez sur la touche de fonction **Conv. Bake**. Appuyez sur les touches numériques pour régler la température de cuisson par convection de 40 °C à 290 °C (100 °F à 550 °F).
2. **Conv. Bake**, **Preheat** et **On** s'affichent. La température réelle du four s'affiche jusqu'à ce qu'elle atteigne la température choisie. À ce moment-là, un carillon sonne une fois et les mots **On** et **Preheat** ne s'affichent plus. Le four est maintenant prêt pour la cuisson. Le mot **On** s'affiche chaque fois que le four nécessite davantage de chaleur pour maintenir la température choisie.

*Remarque : Durant la cuisson par convection, le four ne peut chauffer si sa porte est ouverte. Il se peut que le mot **On** s'affiche, mais cela indique seulement que la température du four est trop basse et que le four se remettra à fonctionner normalement une fois la porte fermée.*

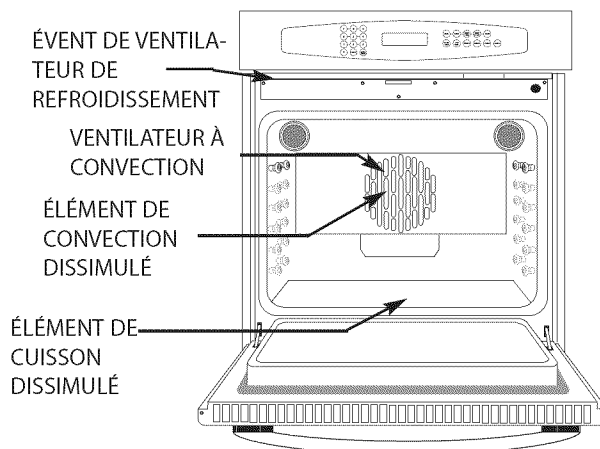
Le ou les ventilateurs de refroidissement du four peuvent se mettre en marche et s'arrêter automatiquement durant la cuisson par convection.

Durant le préchauffage pour cuisson par convection :

L'élément de cuisson dissimulé, l'élément de convection dissimulé et les éléments de grillage externes s'allument et s'éteignent et le moteur à convection se met en marche. Après la phase de préchauffage **Preheat**, seul les éléments de cuisson et de convection dissimulés se mettent à fonctionner, ainsi que le moteur à convection.

*Remarque : Reportez-vous à la section **Température conseillée par le FSIS** à la page 9 en ce qui concerne la cuisson de viande, de plats aux œufs ou de plats en cocotte.*

DURANT LA CUISSON PAR CONVECTION



MODE D'EMPLOI (Rôtissage à convection)

RÔTISSAGE À CONVECTION :

Si vous préférez, vous pouvez rôtir des viandes plus rapidement à l'aide du mode de rôtissage à convection. Souvenez-vous que la cuisson conventionnelle est meilleure pour les viandes moins tendres nécessitant une méthode de cuisson plus longue, à chaleur humide et pour toute viande cuite dans un sac à brunir ou dans une plaque à rôtir recouverte.



- Consultez les tableaux de rôtissage de viande des livres de cuisine pour obtenir les durées et températures de cuisson recommandées.
- Il n'est pas nécessaire de préchauffer.
- Pour obtenir les meilleurs résultats possibles, utilisez une sonde.
- Placez le rôti côté gras vers le haut afin que la viande soit arrosée de son jus durant le rôtissage.
- Étant donné que les viandes continuent de cuire après leur retrait du four, sortez le rôti dès qu'il atteint une température inférieure de 5 à 10 degrés à la température voulue et recouvrez-le pendant 15 à 20 minutes. Il sera également plus facile à découper après la période d'attente.
- Dans le cas de la volaille, assurez-vous que la viande est bien décongelée. À cause de sa structure, la volaille ne cuit pas de manière uniforme si elle est partiellement décongelée ou congelée.

UTILISATION DU MODE DE RÔTISSAGE À CONVECTION :

Le rôtissage à convection utilise les éléments de grillage et de cuisson par convection.

1. Appuyez sur **Conv. Roast**. Appuyez sur les touches numériques pour régler la température de rôtissage à convection de 40 °C à 290 °C (100 °F à 550 °F).
2. **Conv. Roast**, **Preheat** et **On** s'affichent. La température réelle du four s'affiche jusqu'à ce qu'elle atteigne la température choisie. À ce moment-là, un carillon sonne une fois et les mots **On** et **Preheat** ne s'affichent plus. Le four est maintenant prêt pour la cuisson. Le mot **On** s'affiche chaque fois que le four nécessite davantage de chaleur pour maintenir la température choisie.

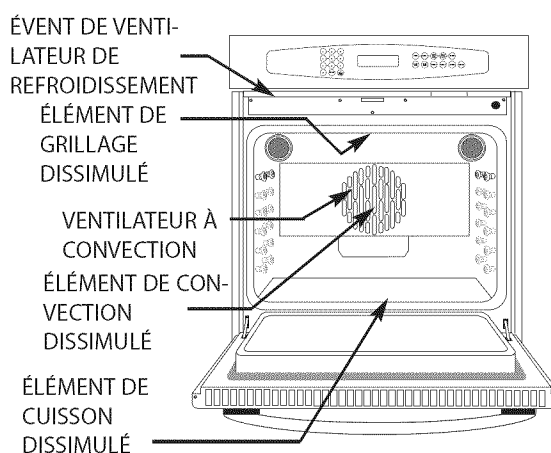
*Remarque : Durant le rôtissage à convection, le four ne peut chauffer si sa porte est ouverte. Il se peut que le mot **On** s'affiche, mais cela indique seulement que la température du four est trop basse et que le four se remettra à fonctionner normalement une fois la porte fermée.*

Réglage inférieur à 93 °C (200 °F) – Si le four est réglé à une température de fonctionnement inférieure à 93 °C (200 °F), durant le préchauffage l'élément de cuisson dissimulé, l'élément de convection dissimulé, les éléments de grillage externes et le moteur à convection se mettent en marche. Après le préchauffage, seuls l'élément de convection dissimulé, l'élément de cuisson dissimulé et le moteur à convection se mettent à fonctionner.

Réglage supérieur à 93 °C (200 °F) – Si le four est réglé à une température de fonctionnement supérieure ou égale à 93 °C (200 °F), durant et après le préchauffage l'élément de convection dissimulé, les éléments de grillage internes et externes et le moteur à convection fonctionnent. Le ou les ventilateurs de refroidissement du four peuvent se mettre en marche et s'arrêter automatiquement durant le rôtissage à convection. Les ventilateurs de refroidissement continuent de fonctionner après que le four a été éteint, jusqu'à ce qu'il refroidisse.

*Remarque : Reportez-vous à la section **Température conseillée par le FSIS** à la page 9 en ce concerne le rôtissage des viandes.*

DURANT LE RÔTISSAGE À CONVECTION



MODE D'EMPLOI (Grillage)

GRIL :

Le grillage est un type de cuisson qui emploie le chauffage par rayonnement infrarouge intense procuré par les éléments de grillage. C'est une façon extrêmement savoureuse de préparer des aliments gras et bien plus saine que la friture.

BROIL

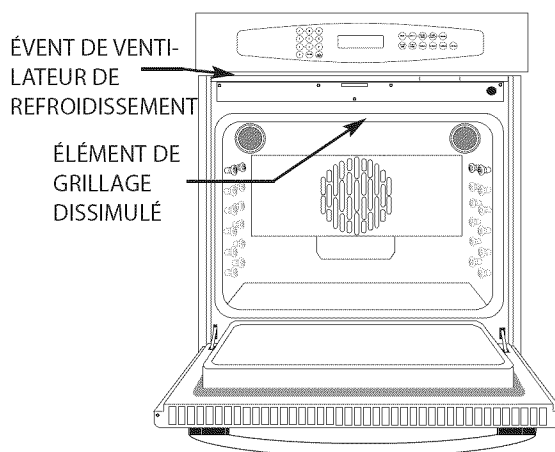
Aliments appropriés pour le grillage :

- Hors-d'œuvre
- Viandes, viandes marinées, biftecks...
- Volaille
- Poisson
- Brunissage : Plats en cocotte, paingrillé à l'ail...

Conseils :

- Enlevez d'abord l'excédent de gras des viandes.
- Salez et poivrez au goût.
- Pour garder juteux le poisson ou les viandes maigres, brossez de beurre fondu sur le dessus.
- Les aliments devant être retournés ne doivent l'être qu'une fois pour obtenir les meilleurs résultats possibles.

DURANT LE GRILLAGE



UTILISATION DU MODE DE GRIL :

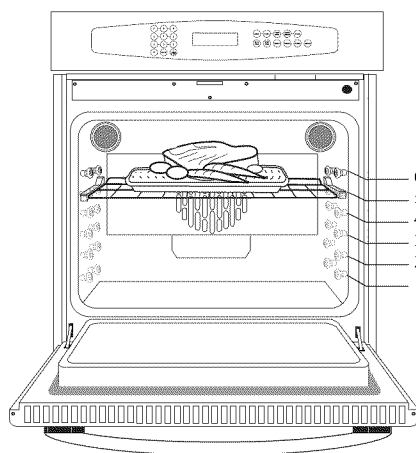
Positionnez la grille de la position 4 ou 5 près de l'élément de grillage (la position 6 n'est pas recommandée pour obtenir les meilleurs résultats). Utilisez les grilles 2 ou 3 pour les morceaux de viande plus gros et plus épais. Placez les aliments dans la lèchefrite et **souvenez-vous que vous devez laisser la porte du four ouverte** à la position **d'arrêt de grillage** durant le grillage, sinon le four s'éteindra.

Pas besoin de préchauffer.

1. Sur le four supérieur ou inférieur, appuyez sur la touche **Broil**.
2. Appuyez sur une touche numérique quelconque et **Hi** s'affiche à l'endroit où s'affiche normalement la température. Vous pouvez le laisser sur **Hi** ou le régler à une température entre 40 °C et 290 °C (100 °F à 550 °F). (Hi correspond à 550 °F.)
3. Le mot **On** s'affiche chaque fois que le gril chauffe.

En mode de grillage, les ventilateurs de refroidissement du four se mettent en marche immédiatement.

Remarque : Reportez-vous à la section **Température conseillée par le FSIS** à la page 9 en ce concerne le grillage des viandes.



MODE D'EMPLOI (Lampes de four et minuteurs)

LES LAMPES DE FOUR :

Dans le cas des fours doubles, les lampes de four fonctionnent simultanément dans les deux fours.



1. Pour voir l'intérieur du four, appuyez sur **Oven Light**.
2. Lorsque vous ouvrez une porte de four, les lampes des deux fours s'allument (dans un four double).

*Remarque : Lorsque le four est en mode de **Nettoyage**, les lampes de four ne fonctionnent pas car les températures élevées d'autonettoyage auraient pour effet de réduire la durée de vie des ampoules.*

POUR RÉGLER LE MINUTEUR 1 OU LE MINUTEUR 2 :

*Remarque : Les touches **Timer 1** et **Timer 2** ne servent pas à éteindre et allumer le four, ce sont simplement des minuteurs. Ils ont pour fonction de vous alerter lorsque le délai spécifié s'est écoulé.*



Pour **allumer** et **éteindre** un four, vous devez utiliser le bouton d'horloge **Clock**. Voir les sections **Cuisson minutée** et **Cuisson minutée différée** en page 16 de ce manuel.

1. Appuyez sur **Timer 1** ou **Timer 2**.
2. Appuyez sur les touches numériques pour choisir une durée allant de 1 minute à 11 heures et 55 minutes. Pour régler les minutes, vous pouvez appuyer de 1 à 59; il n'est pas possible de sélectionner 60 minutes. Appuyez sur 1, 0, 0 pour une durée de 1 heure (1:00). Appuyez sur 2, 1, 5 pour une durée de 2 heures, 15 minutes (2:15) etc.
3. Une minute avant la fin de la durée prédéfinie, le carillon du four sonne une fois et l'écran affiche un compte à rebours des secondes restantes.
4. À la fin de la durée prédéfinie, le mot **End** s'affiche dans l'écran de l'horloge et le carillon du four sonne 4 fois. Il sonnera deux fois toutes les 30 secondes pendant les 5 minutes suivantes avant d'annuler le minuteur.
5. Pour annuler manuellement le minuteur; Appuyez sur **Timer 1** ou **Timer 2**; entrez ensuite **0**.

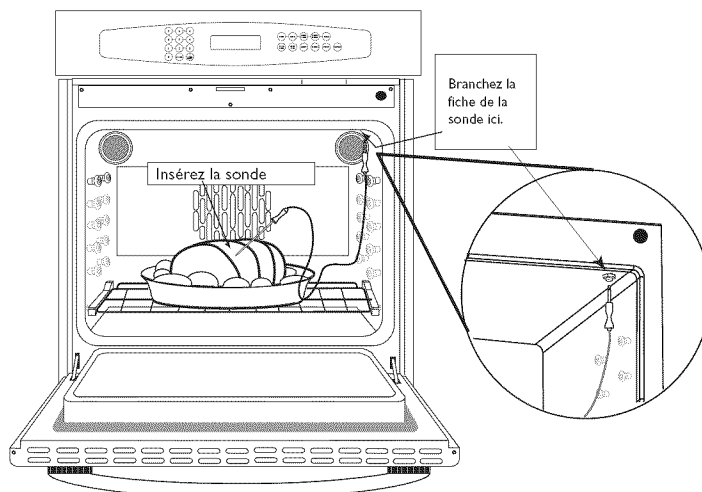
MODE D'EMPLOI (Sonde)

UTILISATION DE LA SONDE :

Utilisez la sonde pour cuire les aliments selon leur température interne afin d'obtenir une cuisson plus précise (four supérieur seulement sur un four double).

PROBE

1. Insérez l'extrémité de la sonde dans les aliments. La première partie de la sonde (2,5 cm environ) est celle qui mesure la température; il faut donc la positionner au centre de la partie la plus charnue, à 2,5 cm des os. Évitez de la positionner à côté des os dans la viande car cela affectera la température.
2. Placez les aliments, avec la sonde déjà insérée, dans le four et introduisez la fiche de la sonde dans la prise située au coin supérieur droit, à l'avant du four.



3. Environ 5 secondes après avoir inséré la fiche de la sonde dans la prise du four, le mot **Probe** se met à clignoter à l'écran alors qu'un bip rapide se fait entendre. Appuyez sur la touche **Probe** et indiquez pour la sonde, à l'aide des touches numériques, une température de cuisson située entre 38 et 95 °C (100 °F à 200 °F).
4. L'affichage indique la température réelle des aliments.
5. Environ 5 secondes après avoir saisi la température de cuisson de la sonde, les mots **Conv. Bake** et **Roast** se mettent à clignoter à l'écran alors qu'un bip rapide se fait entendre. Le dispositif de contrôle vous demande d'entrer un mode de cuisson; sélectionnez donc le mode que vous désirez utiliser; **Bake**, **Conv. Bake** ou **Conv. Roast** (modes de cuisson par convection disponibles avec le four supérieur seulement sur les modèles WOS-227 et WOS-230).
6. Indiquez la température de cuisson du four. Ne la confondez pas avec la température interne des aliments (la température de la sonde) que vous avez définie auparavant. Il s'agit ici de la température de cuisson réelle du four. Utilisez les touches numériques pour saisir une température située entre 38 et 290 °C (100 °F à 550 °F).
7. Le four chauffe jusqu'à atteindre la température de cuisson voulue et s'allume et s'éteint jusqu'à atteindre la température de sonde. La température de sonde réelle s'affiche à l'écran. Une fois la température de sonde atteinte, le mot **End** s'affiche, le carillon du four sonne 4 fois, la température de sonde réelle se met à clignoter et le four s'éteint automatiquement. Le carillon du four sonnera une fois chaque minute pendant les 10 minutes suivantes. À mesure que les aliments refroidissent, la température de sonde clignotante indique la température réelle des aliments.
8. Faites attention de ne pas vous brûler lorsque vous retirez la fiche de la sonde de la prise du four. Une fois la fiche retirée, les chiffres indiquant la température de sonde s'effacent.
9. Lavez l'extrémité en acier inoxydable de la sonde dans de l'eau savonneuse chaude mais **évit**ez de mouiller la fiche de la sonde. Rangez la sonde dans un lieu sec lorsque vous ne l'utilisez pas. Il n'est pas recommandé de laisser la sonde dans le four quand elle n'est pas utilisée.

AVERTISSEMENT :

Évitez de laisser la sonde dans le four pendant l'autonettoyage car elle sera détruite.

MODE D'EMPLOI (Cuisson minutée)

UTILISATION DE LA CUISSON MINUTÉE

Vous pouvez régler la durée de cuisson pour les modes suivants : cuisson, cuisson par convection ou rôtissage à convection. Seul un four à la fois peut être minuté (sur un four double).

A circular icon with the text "COOK TIME" inside.

La touche de durée de cuisson **Cook Time** éteint automatiquement le four à l'heure spécifiée, puis sonne pour le signaler. Réglez tout d'abord le four sur l'un des modes de cuisson mentionnés plus haut (tel que décrit dans cette section-là; voir pages 8~13).

1. Pour régler le four pour une cuisson d'une certaine durée, appuyez sur **Cook Time**. Le four affiche **Cook Time U** pour le four supérieur ou **L** pour le four inférieur (sur un four double). Réglez la durée de cuisson en appuyant sur les touches numériques. Vous pouvez choisir une durée allant de 5 minutes à 11 heures et 55 minutes. L'écran affiche alors **Timed U** ou **L**.
2. Si les deux fours du four double fonctionnent, appuyez sur la touche de mode du four que vous désirez minuter. EXEMPLE : Si le four supérieur est en mode Bake (cuisson) et que vous voulez le minuter, appuyez sur la touche **Bake** de ce four puis **Cook Time**, et indiquez ensuite la durée.
3. À la fin de la durée de cuisson, le four s'éteint automatiquement, le mot **End** s'affiche et le carillon du four sonne 4 fois. Le carillon du four sonnera une fois chaque minute pendant dix minutes. Après cela, l'horloge affiche l'heure de nouveau.

UTILISATION DE LA CUISSON MINUTÉE DIFFÉRÉE :

La cuisson différée permet de régler l'heure de démarrage et d'arrêt de la cuisson à une heure plus commode.

A circular icon with the text "COOK TIME" inside.

1. Vous devez d'abord régler le four sur l'un des modes de cuisson mentionnés ci-dessus. Seul un four à la fois peut être minuté (sur un four double).
2. Pour régler le four pour une cuisson différée, appuyez sur **Cook Time**. Le four affiche **Cook Time U** pour le four supérieur ou **L Oven** pour le four inférieur (sur un four double). Réglez la durée de cuisson en appuyant sur les touches numériques. Vous pouvez choisir une durée allant de 5 minutes à 11 heures et 55 minutes.
3. Si les deux fours fonctionnent, appuyez sur la touche de mode du four que vous désirez minuter. EXEMPLE : Si le four supérieur est en mode Convection Bake (cuisson par convection) et le four inférieur en mode Bake (cuisson), et que vous voulez minuter le four supérieur, appuyez sur la touche Upper **Conv Bake** puis **Cook Time**, et indiquez ensuite la durée.
4. Appuyez sur **Stop Time**. Le four affiche **Stop Time U** ou **L Oven** (on a double oven). (sur un four double). Entrez à l'aide des touches numériques l'heure à laquelle vous désirez que le four arrête la cuisson. L'affichage indique **Delay Timed U** ou **L Oven** (sur un four double) ainsi que l'heure actuelle.
5. À la fin de la durée de cuisson, le four s'éteint, le mot **End** s'affiche et le carillon du four sonne 4 fois. Le carillon du four sonnera une fois chaque minute pendant dix minutes. Après cela, l'horloge affiche l'heure de nouveau.

A circular icon with the text "STOP TIME" inside.

MODE D'EMPLOI (Sécurité pour enfant et Options de l'utilisateur)

OPTION DE L'UTILISATEUR : MODE DE SÉCURITÉ POUR ENFANT

Ce mode **empêche les deux fours de chauffer**. Seuls Clock, Timer 1 et Timer 2 fonctionnent. Ce mode ne verrouille pas les portes.

1. Appuyez sans les relâcher sur les touches **Stop Time** et **Cook Time** pendant 3 secondes. Le four affiche **Off** en chiffres de température pendant 16 secondes. Appuyez sur une touche quelconque pour afficher **Off** de nouveau pendant 16 secondes.
2. Appuyez sans les relâcher sur les touches **Stop Time** et **Cook Time** pendant 3 secondes pour effacer le mode.

OPTION DE L'UTILISATEUR : ÉTALONNAGE DU FOUR

Vous pouvez régler la température du four selon vos besoins. Elle est réglable de ± 35 °F.

1. Réglez le four, auparavant éteint, sur **Bake** à 260 °C (500 °F). Appuyez et maintenez enfoncée la touche **Bake** pendant 4 secondes. Vous devez appuyer sur **Bake** dans les 3 secondes après le réglage de la température à 260 °C (500 °F). Cela fait, la valeur d'étalonnage actuelle s'affiche sous la forme des chiffres rouges de température.
2. Pour ajuster la température plus haut, entrez une température située entre 5° et 35 °F par intervalles de 5° à l'aide des touches numériques.
3. Pour ajuster la température plus bas, appuyez sur la touche **Broil** jusqu'à ce que (-) s'affiche devant les chiffres, puis entrez une température située entre 5° et 35 °F par intervalles de 5°. La touche **Broil** permet d'alterner entre les valeurs positives et négatives.
4. Après avoir affiché la nouvelle température d'étalonnage pendant plusieurs secondes, le four quitte automatiquement le mode d'étalonnage.

OPTION DE L'UTILISATEUR : ACTIVATION OU DÉSACTIVATION DU CARILLON DE FIN DE CYCLE

La fin d'un cycle de cuisson comporte normalement un carillon de rappel une fois par minute pendant dix minutes. La fin de cycle du minuteur comporte deux sonneries de rappel du carillon toutes les 30 secondes pendant 5 minutes. Ces sonneries de rappel peuvent être désactivées.

1. Maintenez la touche **Cancel** enfoncée pendant 10 secondes. Le carillon sonne pour indiquer que l'option est désactivée. Cette même procédure permet **d'activer** ou de **désactiver le carillon**.

OPTION DE L'UTILISATEUR : CHANGER LE MODE D'AFFICHAGE DE L'HEURE DE 12 À 24 H OU LE MODE D'AFFICHAGE DE LA TEMPÉRATURE DE °C À °F :

Cette option permet d'alterner entre un affichage en mode 12 heures ou 24 heures et de température en mode Centigrade ou Fahrenheit.

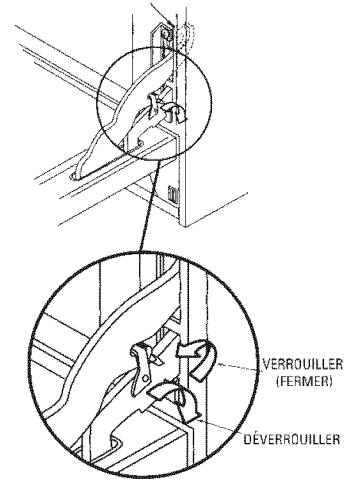
1. Cette option est uniquement disponible au moment de la mise sous tension. Le courant du four doit être **coupé** au niveau du disjoncteur puis **rétabli** tout en maintenant enfoncée la touche **Timer 1**.
2. Les deux chiffres gauches de l'horloge affichent 12 ou 24 pour indiquer l'option sélectionnée. Le chiffre droit affiche un C ou F pour indiquer le mode de température sélectionné.
3. La touche **Bake** (touche supérieure sur un four double) alterne du mode 12 heures au mode 24 heures.
4. La touche **Broil** (touche supérieure sur un four double) alterne du mode Centigrade au mode Fahrenheit.
5. Appuyez sur la touche **Cancel** pour quitter ce mode.

ENTRETIEN ET MAINTENANCE

RETRAIT DE LA PORTE DU FOUR :

Si jamais la porte du four venait à se détraquer ou devenait mal alignée, remettez-la en place en suivant cette procédure toute simple : ouvrez grand la porte. Fermez les verrous de charnière. (Voir l'illustration.) Une fois les deux charnières verrouillées, soulevez doucement la porte en la sortant légèrement de son axe jusqu'à ce qu'elle soit bien alignée sur toute la ligne. Remettez la porte à sa place en la glissant de manière uniforme et assurez-vous que les charnières sont bien centrées sur leur rouleau. La porte du four étant grande ouverte, déverrouillez les verrous de charnière; vous pouvez à présent fermer la porte.

ROULEAU DE CHARNIÈRE DE PORTE

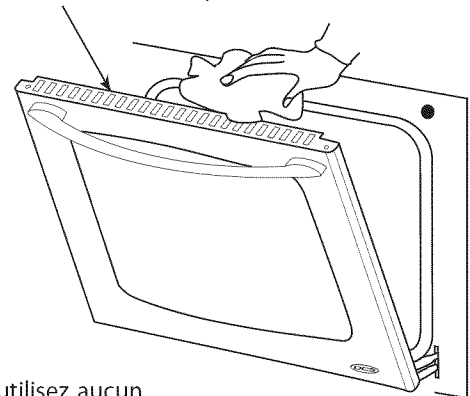


NETTOYAGE DE L'INTÉRIEUR EN PORCELAINE

Assurez-vous que les fours sont froids avant de les nettoyer. L'intérieur est en émail de porcelaine, un matériau qui résiste mais n'est pas à l'épreuve de l'acide. Par conséquent, les aliments acides tels que le vinaigre, la rhubarbe, l'alcool, les jus citriques ou le lait doivent être essuyés avant qu'ils ne puissent durcir sous l'effet de la cuisson, même en mode de **nettoyage**.

Essayez des nettoyeurs doux tels que Bon-Ami^{md}, de l'ammoniac, une solution d'ammoniac et d'eau, ou Soft Scrub^{md}. Appliquez les poudres sur une éponge ou un linge humide. Frottez légèrement. Rincez abondamment puis séchez. Si les aliments ont brûlé sur le four et sont difficiles à enlever, trempez les taches à l'aide d'un linge saturé d'ammoniac ménager appliqué directement sur les taches et laissez tremper pendant une heure ou deux avec la porte fermée. Vous devriez ensuite pouvoir éliminer facilement les salissures à l'aide d'un linge imbibé d'eau savonneuse ou d'un produit abrasif doux.

Trous d'évents dans la porte du four



Faites attention lorsque vous nettoyez le dessus de porte. N'utilisez aucun produit suffisamment abrasif pouvant égratigner la surface, et ne laissez pas l'eau ou les nettoyeurs s'écouler par les trous des événements, car ils pourraient laisser des traînées sur le verre à l'intérieur de la porte.

Pour les taches difficiles, utilisez un tampon à récurer non métallique ou en plastique savonneux. L'utilisation occasionnelle de nettoyeur abrasif est acceptable; cependant, une utilisation trop fréquente ou trop vigoureuse peut finir par endommager l'émail. Mouillez le tampon, frottez la surface légèrement, rincez abondamment puis séchez.

N'utilisez pas de produits à nettoyer les fours (tels que Easy Off^{md} ou Dow^{md}) pour nettoyer l'intérieur des fours. Les produits à nettoyer les fours de type commercial ne sont pas recommandés.

GRILLES DU FOUR

Nous ne recommandons pas de laisser les grilles dans le four durant l'autonettoyage, car la température élevée détruira le chromé et les grilles seront par la suite difficiles à insérer et à sortir.

Les nettoyeurs de chrome, tel que Soft Scrub^{md}, Cameo^{md} ou Bar Keepers Friend^{md} peuvent être appliqués avec une éponge humide suivant le mode d'emploi inscrit sur l'emballage. Rincez puis séchez. Appliquez un nettoyeur en poudre tel que Bon-Ami^{md} ou Comet^{md} à l'aide d'une éponge ou d'un linge humide, frottez légèrement, rincez, puis séchez. Pour les souillures alimentaires difficiles à enlever, utilisez un tampon à récurer non métallique savonneux, rincez, puis séchez.

ENTRETIEN ET MAINTENANCE

Vous pouvez utiliser sur les grilles des nettoyants forts commerciaux prévus pour les fours, tels que Easy Off^{md} ou Dow^{md}. Ces produits ne sont toutefois pas recommandés pour l'intérieur du four. De plus, certains produits commerciaux à nettoyer les fours tendent à produire un noircissement et une décoloration. Testez le nettoyant sur une petite section de la grille et vérifiez s'il y a de la décoloration avant de nettoyer la grille toute entière. Appliquez et laissez reposer selon les indications du fabricant. Rincez abondamment puis séchez.

NOMS DE MARQUE

La référence à des noms de marques dans cette section est donnée à titre indicatif et ne saurait constituer un acte de promotion. L'omission d'une marque de nettoyant particulière ne signifie pas qu'elle est adéquate ou non. De nombreux produits sont distribués dans certaines régions seulement et sont disponibles dans les marchés et grands magasins locaux.

REPLACEMENT DE L'AMPOULE DE LA LAMPE DU FOUR

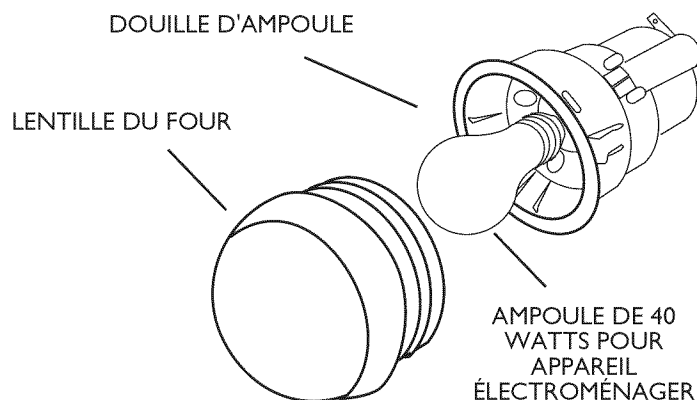
Pour remplacer l'ampoule de la lampe du four, utilisez une ampoule de 40 watts, 120 volts, pour appareil électroménager uniquement. Celles-ci sont disponibles dans la plupart des supermarchés. **ÉVITEZ** d'utiliser des ampoules normales dans les fours car elles casseront sous l'effet de la chaleur.

MISE EN GARDE :

Assurez-vous que l'interrupteur de la lampe du four est en position OFF et que le couvercle est froid. Si l'ampoule casse et se détache de sa base, coupez le courant du four par le disjoncteur avant d'essayer de retirer la base de l'ampoule de la douille!

POUR REMPLACER L'AMPOULE

1. Assurez-vous que la lampe du four est éteinte.
2. Coupez le courant du four par le disjoncteur.
3. Retirez le couvercle de la lampe. Tournez le couvercle vers la gauche (dans le sens contraire des aiguilles d'une montre) pour le dévisser.
4. Retirez l'ampoule brûlée. Remplacez-la par une ampoule neuve de 40 watts pour appareil électroménager uniquement.
5. Remplacez le couvercle. Remettez le disjoncteur.



ENTRETIEN ET MAINTENANCE

POUR NETTOYER LE PANNEAU DE CONTRÔLE :

Utilisez des serviettes en papier imbibées d'eau tiède savonneuse ou vaporisez un nettoyant pour vitres sur une serviette ou une éponge pour essuyer soigneusement et nettoyer le panneau de contrôle. Évitez de vaporiser des solutions de nettoyage directement sur le panneau de contrôle ou la fenêtre d'affichage. Faites attention de ne pas utiliser des quantités excessives d'eau. N'utilisez aucun type de produit abrasif sur le panneau de contrôle.

VITRE DE LA PORTE DU FOUR :

Utilisez n'importe quel nettoyant pour vitres adéquat ou de l'eau tiède savonneuse. Évitez d'utiliser tout produit pouvant égratigner la vitre. N'utilisez pas de nettoyant ou de serviette froide pour nettoyer une vitre de porte de four chaude car elle pourrait éclater.

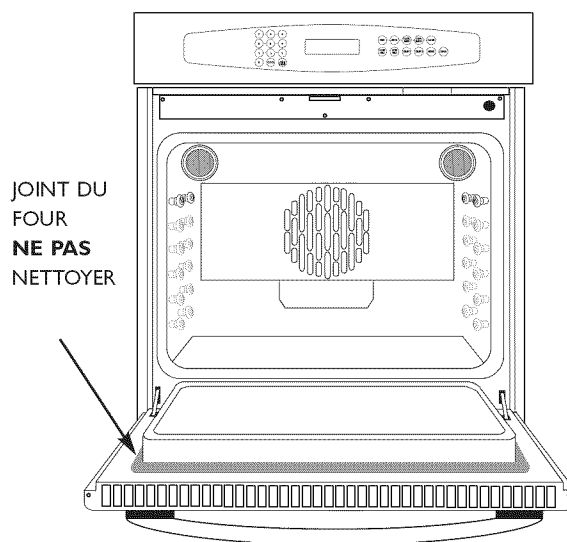
NETTOYAGE DU FOUR

ÉVITEZ DE NETTOYER LE JOINT DE LA PORTE!

Veillez à ne pas maltraiter le joint de la porte en le nettoyant, le frottant, le retirant, etc. car cela peut l'endommager. Un bon joint de porte est essentiel pour assurer une efficacité énergétique et l'obtention d'une bonne cuisson. Si vous remarquez que le joint devient effiloché, usé ou endommagé de quelque manière, faites-le remplacer par un technicien autorisé DCS.

NETTOYAGE DE LA FINITION EXTÉRIEURE

Une fois refroidi, l'appareil peut être nettoyé avec de l'eau savonneuse chaude, puis rincé, séché et bien poli à l'aide d'un tissu à poils épais et doux. Essayez cela en premier, c'est la façon la plus douce de le nettoyer.



1. Certains produits de nettoyage de même type sont plus forts que d'autres. Lisez leur mode d'emploi. La présence de parfum ou de gaz propulseur peut avoir un effet significatif; veuillez lire la liste des ingrédients. Faites un essai sur une petite surface cachée au préalable.
2. Sur les modèles en acier inoxydable, pour ne pas gâcher la surface, frottez toujours la finition du métal dans le sens du polissage; de plus, le nettoyant est plus efficace ainsi.
3. Pour nettoyer ou récurer, utilisez uniquement des éponges propres, des tissus doux, des essuie-tout ou des tampons à récurer savonneux en plastique sans métal. Utilisez uniquement des tampons contenant encore du savon car un tampon sec peut égratigner la surface.
4. Rincez soigneusement et séchez en essuyant pour éviter de laisser des marques d'eau.

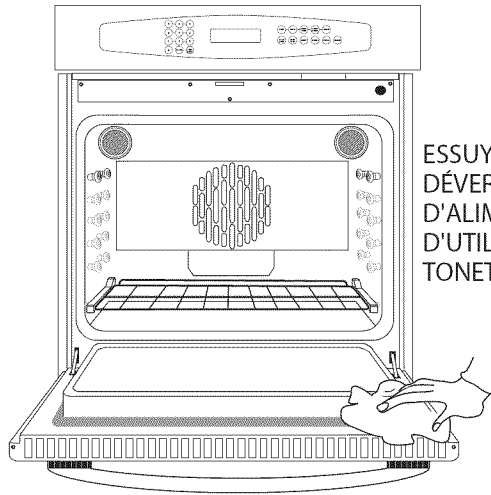
NETTOYAGE DU FOUR

UTILISATION DU MODE D'AUTONETTOYAGE :

Lorsque le four est en mode d'autonettoyage **Clean**, la température du four atteint 455 °C (850 °F). Cette température élevée brûle la salissure et la désintègre sous forme de cendres faciles à essuyer.

AVERTISSEMENT :

Après un cycle d'autonettoyage, laissez la vitre intérieure de la porte du four refroidir avant de l'essuyer, car elle pourrait se briser si elle était essuyée avec un linge mouillé ou humide immédiatement après le cycle de nettoyage.



ESSUYEZ LES DÉVERSEMENTS D'ALIMENTS AVANT D'UTILISER L'AUTONETTOYAGE

AVERTISSEMENT :

Évitez de laisser la sonde dans le four pendant l'autonettoyage car elle sera détruite.

1. Retirez les grilles du four. **Ne laissez pas** les grilles dans le four durant l'autonettoyage, car la température élevée détruira leur chromé, les empêchant par là de glisser librement.
2. Sélectionnez la touche **Clean**, supérieure ou inférieure (selon le four à nettoyer). Le four affiche **Time U** ou **L Oven Clean** (sur un four double).
3. Réglez la durée de nettoyage. Appuyez sur une touche numérique quelconque; **4:00** s'affiche. C'est la durée de nettoyage maximum. Vous pouvez accepter la durée par défaut ou sélectionner n'importe quelle durée située entre 2 et 4 heures. Pendant le nettoyage, le gril et l'élément de cuisson dissimulé peuvent fonctionner. En mode de **nettoyage**, les ventilateurs de refroidissement du four se mettent en marche immédiatement.
4. Le moteur du verrou de porte verrouille alors la porte. En moins d'une minute, les mots **Lock** et **On** s'affichent sur l'écran. La porte ne peut plus être ouverte. Le four chauffe jusqu'à une température de 455 °C (850 °F) et, à la fin du cycle de nettoyage, le four s'éteint. **Lock** s'affiche à l'écran jusqu'à ce qu'on puisse ouvrir la porte en toute sécurité, après quoi la porte se déverrouille automatiquement.

AVERTISSEMENT :

Après un cycle d'autonettoyage, laissez la vitre intérieure de la porte du four refroidir avant de l'essuyer, car elle pourrait se briser si elle était essuyée avec un linge mouillé ou humide immédiatement après le cycle de nettoyage.

5. Nettoyage différé :

Vous pouvez aussi régler le four pour qu'il se nettoie automatiquement à une heure différée plus commode.

NETTOYAGE DU FOUR

Réglez le four à **Clean** tel que décrit plus haut. Appuyez sur **Stop Time**. Le four affiche l'heure d'arrêt actuelle (commençant maintenant et se terminant après la période de nettoyage). Entrez, à l'aide des touches numériques, une heure d'arrêt au-delà de l'heure affichée, pouvant aller jusqu'à 11 heures et 55 minutes après l'heure de démarrage. Le four affiche momentanément l'heure d'arrêt, puis l'heure de démarrage différée, et retourne ensuite à l'heure actuelle. **Delay** s'affiche jusqu'à ce que le four commence l'autonettoyage.

MISE EN GARDE :

Avant de régler l'autonettoyage, retirez tous les articles se trouvant dans le four et nettoyez toute trace de liquide ou de déversements gras; il pourrait sinon y avoir une émanation excessive de fumée. Il est normal qu'il y ait un peu de fumée durant l'autonettoyage.

Sur un four double, on ne peut nettoyer qu'un four à la fois. Lorsqu'un four est en mode de nettoyage, l'autre four ne peut être utilisé dans aucun mode de chauffage.

Si le mot **Door** s'affiche accompagné d'un bip rapide, fermez la porte et essayez de régler l'autonettoyage de nouveau.

UTILISATION DU MODE D'AUTONETTOYAGE (suite)

Remarque : Durant l'autonettoyage, la cuisine doit être bien aérée pour permettre d'éliminer les odeurs normales produites.

Nettoyez les fours selon le besoin. L'autonettoyage fonctionne très bien dans les cas de forte accumulation de saleté, mais il peut s'avérer nécessaire de nettoyer manuellement les bordures des portes du four car la température élevée n'atteint pas ces zones durant l'autonettoyage. N'oubliez pas de faire attention lorsque vous nettoyez à proximité du joint du four pour ne pas l'endommager.

Évitez de toucher la vitre ou les portes du four durant l'autonettoyage car la température extrême peut les rendre très chaudes.

Pour annuler l'autonettoyage, appuyez sur la touche de fonction **Cancel** du four approprié (sur un four double) sur le panneau de contrôle. La porte du four sera verrouillée et le restera jusqu'à ce que le four ait suffisamment refroidi pour ne pas poser de risque.

DURÉE DE LA GARANTIE

Un (1) an, pièces et main-d'œuvre sur tout le produit.

Dix (10) ans de garantie limitée sur le four en porcelaine et le panneau de porte intérieur en porcelaine.

Tout défaut esthétique doit être signalé dans les 30 jours après la date d'installation.

Enregistrement du numéro de modèle/série.

Modèle _____

N° de série _____

La garantie débute à partir de la date d'achat ou 10 jours à partir de la date de livraison.

DCS COUVRE LES FRAIS SUIVANTS

Frais de main-d'œuvre et de réparation de pièces jugées défectueuses pour cause de vice de matière ou de fabrication, et ce pendant une année complète avec garantie « À DOMICILE » pendant la première année d'achat. Cette garantie ne s'applique pas si l'appareil a été soumis à une utilisation autre qu'une utilisation domestique normale. Le service doit être fourni par un agent agréé de l'usine durant les heures ouvrables normales. Il n'y aura pas de frais facturés pour les réparations ou remplacements effectués sur le site de l'installation initiale ou en usine pour des pièces renvoyées port payé, par l'intermédiaire du distributeur, pendant la période de garantie, et jugées défectueuses par DCS.

Les remplacements sont effectués franco à bord DCS et DCS n'est pas responsable des frais de transport, de main-d'œuvre ou des tarifs douaniers s'appliquant à l'exportation. Cette garantie ne saurait s'appliquer, et nous n'assumons aucune responsabilité pour les dommages pouvant résulter du fait de ne pas avoir respecté les consignes du fabricant ou des codes en vigueur, ou d'avoir trafiqué ou altéré l'appareil de quelque façon, ou d'avoir, selon nous, soumis l'appareil à une mauvaise utilisation, à de la négligence ou à un accident.

DCS NE COUVRE PAS LES FRAIS SUIVANTS :

- Installation ou démarrage.
- Dommages subis durant le transport.
- Service effectué par un centre non agréé.
- Dommages ou réparations causés par un service effectué par un centre non agréé ou par l'utilisation de pièces non autorisées.
- Service effectué en dehors des heures ouvrables normales.
- Mauvaise installation, telle qu'un branchement incorrect, etc.
- Visites de service pour vous apprendre comment utiliser l'appareil, corriger l'installation, réarmer les disjoncteurs ou remplacer les fusibles de la maison.
- Réparations dues à une utilisation autre qu'une utilisation domestique normale.
- Dommages causés par accident, abus, altération, mauvaise utilisation, installation incorrecte ou installation non conforme aux codes en vigueur.
- Appareils installés dans le cadre d'applications non résidentielles telles que garderies, auberges, lieux de culte, maisons de soin, restaurants, hôtels, écoles, etc.

GARANTIE

Cette garantie s'applique aux appareils utilisés dans des applications résidentielles. Elle ne couvre pas les utilisations commerciales.

Cette garantie couvre les produits achetés et utilisés dans les 50 états des États-Unis, le District de Columbia et au Canada. La garantie s'applique même si vous déménagez durant la période de garantie. Si l'appareil est vendu par l'acheteur initial durant la période de garantie, le nouveau propriétaire continue de bénéficier de la protection jusqu'à la date d'expiration de la période de garantie de l'acheteur initial.

Cette garantie vous donne des droits juridiques spécifiques. Il se peut que vous ayez d'autres droits pouvant varier d'une juridiction à l'autre.

Cette garantie remplace toute autre garantie, explicite ou implicite. En outre, toutes les garanties implicites, y compris les garanties de qualité marchande ou d'adaptation à un usage particulier, sont déclinées par la présente dans toute la limite permise par la loi. Dans la mesure où les garanties implicites ne peuvent être déclinées, la durée des garanties implicites, y compris les garanties implicites de qualité marchande ou d'adaptation à un usage particulier, est limitée à la durée de cette garantie expresse. Cette garantie vous donne des droits juridiques spécifiques. Il se peut que vous ayez d'autres droits pouvant varier d'une juridiction à l'autre.

POUR L'OBTENTION DE SERVICE :

Pour le service sous garantie, contactez le centre de service DCS agréé le plus proche. Fournissez le numéro de modèle, le numéro de série, la date d'installation ainsi qu'une brève description du problème. Si vous avez besoin d'aide pour localiser les centres de service agréés de votre région, veuillez communiquer avec le centre de service à la clientèle DCS qui vous indiquera l'agent agréé le plus proche. Pour nous joindre : (888) 281-5698, *du lundi au vendredi, de 6 h à 16 h 30, heure normale du Pacifique.*

Votre satisfaction revêt la plus haute importance pour nous. Si un problème n'est pas résolu à votre entière satisfaction, veuillez communiquer avec nous :

Écrivez-nous à l'adresse suivante :

DCS

Attention: Customer Service

5800 Skylab Road

Huntington Beach, CA 92647

email : support@dcsappliances.com

AVANT D'APPELER LE SERVICE TECHNIQUE :

1. Est-ce que le disjoncteur s'est déclenché ou que le fusible est grillé?
2. Y a-t-il une coupure de courant dans le secteur?
3. Avez-vous récemment mis le mode de sécurité pour enfant? Voir la page 17.

NOTES



PERFECT HEAT.

5800 Skylab Road, Huntington Beach, CA 92647
Tel: 714.372.7000 • Fax: 714.372.7001
Customer Service: 888.281.5698
www.dcsappliances.com

DCS améliore constamment ses produits et se réserve le droit de modifier les spécifications ou la conception de ses produits sans aucun préavis.

As product improvement is an ongoing process at DCS, we reserve the right to change specifications or design without notice.

Part No. 17535 Rev.C
Litho in USA 06/2004