

Use & Care Guide
Manual de uso y cuidado
Guide d'utilisation et d'entretien
English / Español / Français

Models/Modelos/Modèles: 665.1279*, 665.1280*

Kenmore Elite®

ULTRACLEAN™ Dishwasher

Lavavajillas ULTRACLEAN™

Lave-vaisselle ULTRACLEAN™

* = color number, número de color, le numéro de la couleur

P/N W10480974B
Sears Brands Management Corporation
Hoffman Estates, IL 60179 U.S.A.
www.kenmore.com
www.sears.com
Sears Canada Inc.
Toronto, Ontario, Canada M5B 2C3
www.sears.ca



TABLE OF CONTENTS

PROTECTION AGREEMENTS	2	LOADING	13
WARRANTY	3	Loading For Best Cleaning and Drying Performance.....	13
DISHWASHER SAFETY	4	Top Rack Loading	14
WHAT'S NEW IN YOUR DISHWASHER	6	Bottom Rack Loading	16
Energy	6	DISHWASHER USE	19
Performance	6	Cycles and Options Information	19
PARTS AND FEATURES	7	Dishwasher Control Section.....	21
START-UP / QUICK REFERENCE	8	Dishwasher Feedback Section	21
ULTRACLEAN™ FILTRATION SYSTEM	9	Canceling A Cycle	21
360 POWERWASH PLUS™	10	Changing A Cycle After Dishwasher Is Started.....	22
ONE-HAND ADJUSTER.....	11	Adding A Dish After Dishwasher Is Started	22
DISHWASHER EFFICIENCY TIPS	11	WASHING SPECIAL ITEMS.....	22
DETERGENT AND RINSE AID	11	DISHWASHER CARE	23
Detergent	11	Cleaning.....	23
Rinse Aid.....	12	Dishwasher Maintenance Procedure	24
		Drain Air Gap.....	24
		Storing	24
		TROUBLESHOOTING	25
		SERVICE NUMBERS	BACK COVER

PROTECTION AGREEMENTS

Master Protection Agreements

Congratulations on making a smart purchase. Your new Kenmore® product is designed and manufactured for years of dependable operation. But like all products, it may require preventive maintenance or repair from time to time. That's when having a Master Protection Agreement can save you money and aggravation.

The Master Protection Agreement also helps extend the life of your new product. Here's what the Agreement* includes:

- ✓ **Parts and labor** needed to help keep products operating properly **under normal use**, not just defects. Our coverage goes **well beyond the product warranty**. No deductibles, no functional failure excluded from coverage— **real protection**.
- ✓ **Expert service** by a force of more than 10,000 authorized **Sears service technicians**, which means someone you can trust will be working on your product.
- ✓ **Unlimited service calls and nationwide service**, as often as you want us, whenever you want us.
- ✓ **"No-lemon" guarantee** – replacement of your covered product if four or more product failures occur within twelve months.
- ✓ **Product replacement** if your covered product can't be fixed.
- ✓ **Annual Preventive Maintenance Check** at your request – no extra charge.
- ✓ **Fast help by phone** – we call it **Rapid Resolution** – phone support from a Sears representative on all products. Think of us as a "talking owner's manual."

- ✓ **Power surge protection** against electrical damage due to power fluctuations.
- ✓ **\$250 Food Loss Protection** annually for any food spoilage that is the result of mechanical failure of any covered refrigerator or freezer.
- ✓ **Rental reimbursement** if repair of your covered product takes longer than promised.
- ✓ **10% discount** off the regular price of any non-covered repair service and related installed parts.

Once you purchase the Agreement, a simple phone call is all that it takes for you to schedule service. You can call anytime day or night, or schedule a service appointment online.

The Master Protection Agreement is a risk free purchase. If you cancel for any reason during the product warranty period, we will provide a full refund. Or, a prorated refund anytime after the product warranty period expires. Purchase your Master Protection Agreement today!

Some limitations and exclusions apply. For prices and additional information in the U.S.A. call 1-800-827-6655.

***Coverage in Canada varies on some items. For full details call Sears Canada at 1-800-361-6665.**

Sears Installation Service

For Sears professional installation of home appliances, garage door openers, water heaters, and other major home items, in the U.S.A. or Canada call 1-800-4-MY-HOME®.

KENMORE ELITE® LIMITED WARRANTY

When this appliance is installed, operated and maintained according to all supplied instructions, the following warranty coverage applies. To arrange for warranty service, call 1-800-4-MY-HOME® (1-800-469-4663).

- **For two years from the date of purchase**, any part of the dishwasher that fails due to defective materials or workmanship will be replaced free of charge. After the first year from purchase date, the customer assumes any labor costs associated with replacement of these parts.
- **For five years from the date of purchase**, any part of the upper or lower dish rack that rusts due to defective materials or workmanship will be replaced free of charge. After the first year from purchase date, the customer assumes any labor costs associated with dish rack replacement.
- **If a leak ever occurs** as a result of rust-through of the stainless steel tub or inner door panel, the tub or panel will be replaced free of charge.

This warranty applies for only 90 days from the date of purchase if this appliance is ever used for other than private family purposes.

This warranty covers only defects in material and workmanship, and will NOT pay for:

1. Expendable items that can wear out from normal use, including but not limited to filters, belts, light bulbs, and bags.
 2. A service technician to instruct the user in correct product installation, operation or maintenance.
 3. A service technician to clean or maintain this product.
4. Damage to or failure of this product if it is not installed, operated or maintained according to the all instructions supplied with the product.
 5. Damage to or failure of this product resulting from accident, abuse, misuse or use for other than its intended purpose.
 6. Damage to or failure of this product caused by the use of detergents, cleaners, chemicals or utensils other than those recommended in all instructions supplied with the product.
 7. Damage to or failure of parts or systems resulting from unauthorized modifications made to this product.

Disclaimer of implied warranties; limitation of remedies

Customer's sole and exclusive remedy under this limited warranty shall be product repair as provided herein. Implied warranties, including warranties of merchantability or fitness for a particular purpose, are limited to one year or the shortest period allowed by law. Sears shall not be liable for incidental or consequential damages. Some states and provinces do not allow the exclusion or limitation of incidental or consequential damages, or limitation on the duration of implied warranties of merchantability or fitness, so these exclusions or limitations may not apply to you.

This warranty applies only while this appliance is used in the United States or Canada.

This warranty gives you specific legal rights, and you may also have other rights which vary from state to state.

**Sears Brands Management Corporation,
Hoffman Estates, IL 60179**

Sears Canada Inc., Toronto, Ontario, Canada M5B 2C3

DISHWASHER SAFETY

Your safety and the safety of others are very important.

We have provided many important safety messages in this manual and on your appliance. Always read and obey all safety messages.



This is the safety alert symbol.

This symbol alerts you to potential hazards that can kill or hurt you and others.

All safety messages will follow the safety alert symbol and either the word "DANGER" or "WARNING." These words mean:

⚠ DANGER

You can be killed or seriously injured if you don't immediately follow instructions.

⚠ WARNING

You can be killed or seriously injured if you don't follow instructions.

All safety messages will tell you what the potential hazard is, tell you how to reduce the chance of injury, and tell you what can happen if the instructions are not followed.

IMPORTANT SAFETY INSTRUCTIONS

WARNING: When using the dishwasher, follow basic precautions, including the following:

- Read all instructions before using the dishwasher.
- Use the dishwasher only for its intended function.
- Use only detergents or rinse agents recommended for use in a dishwasher, and keep them out of the reach of children.
- When loading items to be washed:
 - 1) Locate sharp items so that they are not likely to damage the door seal; and
 - 2) Load sharp knives with the handles up to reduce the risk of cut-type injuries.
- Do not wash plastic items unless they are marked "dishwasher safe" or the equivalent. For plastic items not so marked, check the manufacturer's recommendations.
- Do not touch the heating element during or immediately after use.
- Do not operate the dishwasher unless all enclosure panels are properly in place.
- Do not tamper with controls.
- Do not abuse, sit on, or stand on the door, lid, or dish racks of the dishwasher.
- To reduce the risk of injury, do not allow children to play in or on the dishwasher.
- Under certain conditions, hydrogen gas may be produced in a hot water system that has not been used for two weeks or more. **HYDROGEN GAS IS EXPLOSIVE.** If the hot water system has not been used for such a period, before using the dishwasher turn on all hot water faucets and let the water flow from each for several minutes. This will release any accumulated hydrogen gas. As the gas is flammable, do not smoke or use an open flame during this time.
- Remove the door or lid to the washing compartment when removing an old dishwasher from service or discarding it.

SAVE THESE INSTRUCTIONS

State of California Proposition 65 Warnings:

WARNING: This product contains one or more chemicals known to the State of California to cause cancer.

WARNING: This product contains one or more chemicals known to the State of California to cause birth defects or other reproductive harm.

! WARNING



Tip Over Hazard

Do not use dishwasher until completely installed.
Do not push down on open door.
Doing so can result in serious injury or cuts.

! WARNING



Electrical Shock Hazard

Electrically ground dishwasher.
Connect ground wire to green ground connector in terminal box.
Do not use an extension cord.
Failure to follow these instructions can result in death, fire, or electrical shock.

GROUNDING INSTRUCTIONS

■ **For a grounded, cord-connected dishwasher:**

The dishwasher must be grounded. In the event of a malfunction or breakdown, grounding will reduce the risk of electric shock by providing a path of least resistance for electric current. The dishwasher is equipped with a cord having an equipment-grounding conductor and a grounding plug. The plug must be plugged into an appropriate outlet that is installed and grounded in accordance with all local codes and ordinances.

WARNING: Improper connection of the equipment-grounding conductor can result in a risk of electric shock. Check with a qualified electrician or service representative if you are in doubt whether the dishwasher is properly grounded. Do not modify the plug provided with the dishwasher; if it will not fit the outlet, have a proper outlet installed by a qualified electrician.

■ **For a permanently connected dishwasher:**

The dishwasher must be connected to a grounded metal, permanent wiring system, or an equipment-grounding conductor must be run with the circuit conductors and connected to the equipment-grounding terminal or lead on the dishwasher.

SAVE THESE INSTRUCTIONS

- Install where dishwasher is sheltered from the elements. Avoid possible rupture of fill valve from freezing. Such ruptures are not covered by the warranty. See "Storing" section for winter storage information.
- Install and level dishwasher on a floor that will hold the weight, and in an area suitable for its size and use.
- Remove all shipping plugs from hoses and connectors (such as the cap on the drain outlet) before installing. See Installation Instructions for complete information.

WHAT'S NEW IN YOUR DISHWASHER

Energy

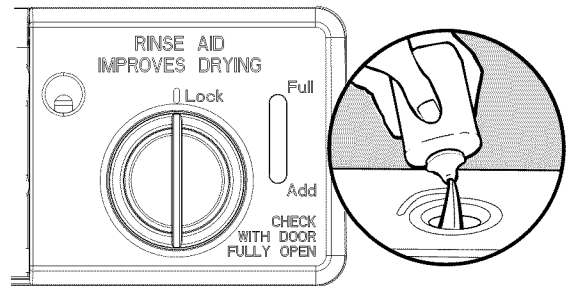
Congratulations on purchasing your water and energy efficient dishwasher! This dishwasher cleans by spraying the dishes with water and pauses to allow the detergent to soak into and release the soils on the dishes. The cycles are longer due to the soak and the pauses for exceptional cleaning. Models with SmartWash[®] HE contain an optical water sensor. The optical water sensor is used to determine the optimum water and energy consumption for great cleaning performance. The first cycle using the sensor will run longer to calibrate the optical sensor.



Performance

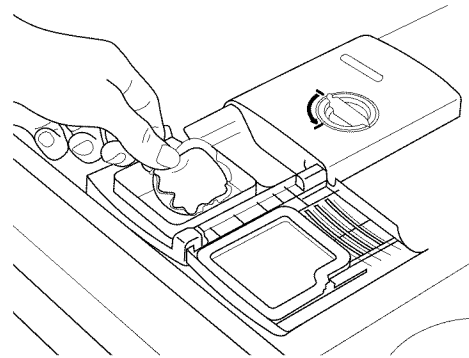
Rinse Aid

Using rinse aid will optimize your drying and wash performance. This dishwasher is specifically designed to be used with rinse aid for improved drying performance and controlling buildup of hard water deposits. Energy efficient dishwashers use less water and energy, so they depend on the water “sheeting” action of rinse aid for total optimal performance.



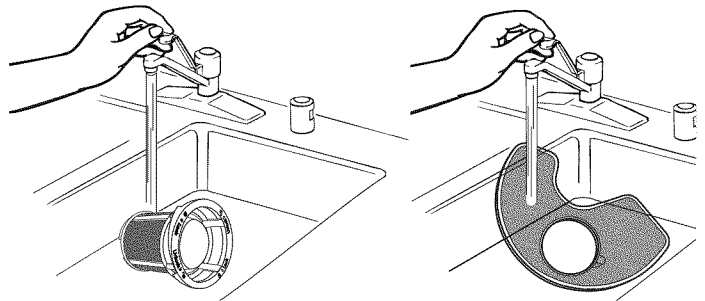
Detergent

The United States has passed a restriction limiting the amount of phosphorus (phosphates) in the household dishwasher detergents to no more than 0.5%, where previous detergents contained 8.7%. Major manufacturers have reformulated their dishwasher detergent for this change in detergents as another step in eco-conscious awareness. With these recent changes it is recommended to use tablets and packs for convenience and improved performance.

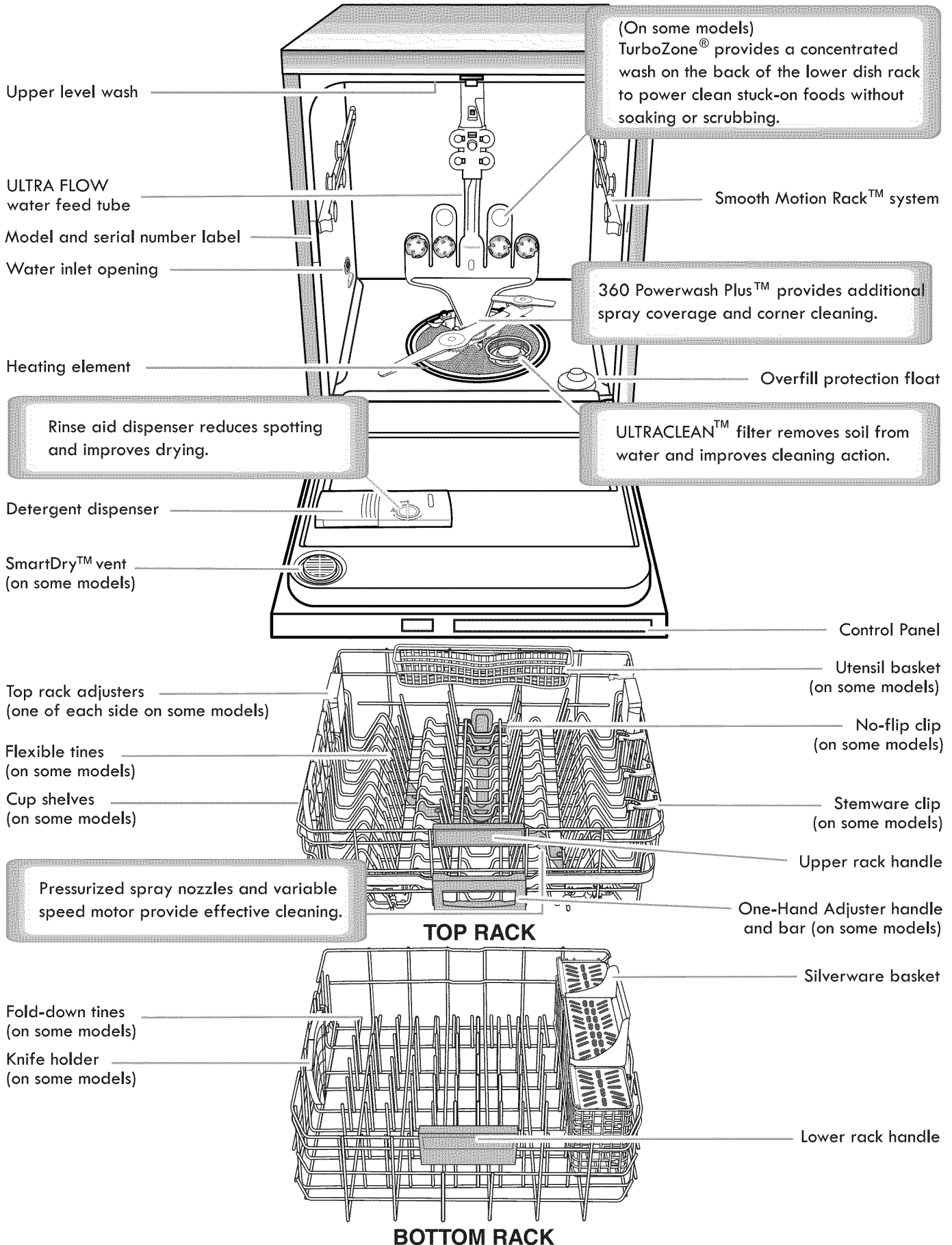


Filtration System

Your dishwasher has the latest technology in dishwasher filtration. This triple filtration system minimizes sound and optimizes water and energy conservation while providing optimal cleaning performance. Regular maintenance of your filters will sustain peak cleaning performance. We suggest you clean both your upper and lower filter and rinse under running water at least once a month.



PARTS AND FEATURES

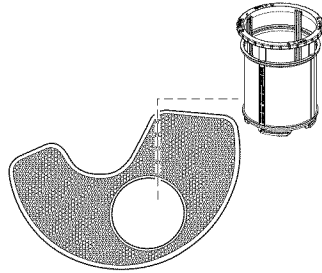


START-UP / QUICK REFERENCE (VARIES BY MODEL)

ULTRACLEAN™ removable filters provide peak performance.

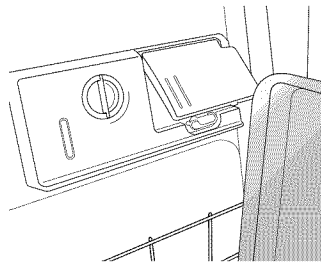
Cleaning the filters periodically helps keep the dishwasher working at peak performance. The filters can be found at the bottom center of your dishwasher.

See “ULTRACLEAN™ FILTRATION SYSTEM” for information on removing and maintaining the filters.



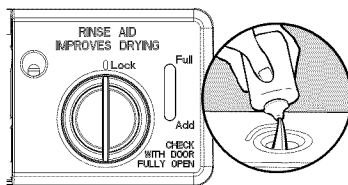
IMPORTANT: Do not block detergent dispenser.

Tall items placed in the lower rack may block the dispenser door. Cookie sheets and cutting boards loaded on the left-hand side of the dishwasher can easily block the dispenser. If detergent is inside of the dispenser or on the bottom of the tub after the cycle is complete, the dispenser was blocked.



Drying - Rinse Aid is essential.

You must use a drying agent such as rinse aid for good drying performance (sample included). Rinse aid along with the SmartDry™ option will provide best drying and avoid excessive moisture in the dishwasher interior.



Smart Dry

1 Hour Wash - When you need fast results.

High Efficiency dishwashers run longer to save water and energy just as driving a car slower saves on gas. When you need fast results, the 1 Hour Wash will clean your dishes using slightly more water and energy. For improved drying, select the SmartDry™ option to add additional time to dry.

1 Hour Wash

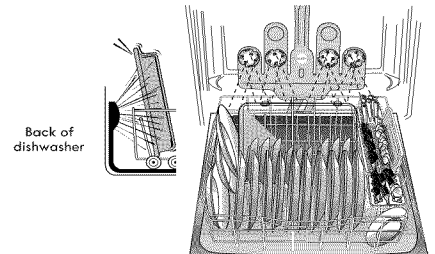
SmartWash®^{HE} cycle

SmartWash®^{HE} provides optimal results using only the amount of water and energy needed. The SmartWash®^{HE} and Pots & Pans cycles are recommended for tough soil.

Smart Wash^{HE}

TURBOZONE® loading (on some models)

When the TURBOZONE® option is selected, it provides a concentrated wash on the back of the lower dish rack for hard-to-clean dishes. Place these dishes with the soiled surface of the dish toward the TURBOZONE® spray nozzles in the lower rack of the dishwasher.



Turbo Zone

Press START/RESUME every time you add a dish.

To start and resume a cycle, press START/RESUME and close the door within 3 seconds. If the door is not closed within 3 seconds, the Start/Resume button LED will flash and the cycle will not start.

IMPORTANT: If anyone opens the door (as, to add a dish, even during the Delay Hours option), the Start/Resume button must be pressed each time and the door closed within 3 seconds to resume the cycle.



Detergent Dosing

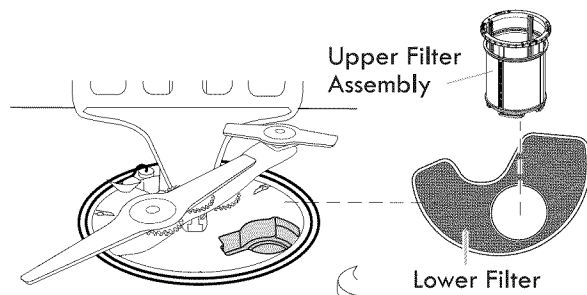
It is possible to use too much detergent in your dishwasher. This can lead to etching of your dishes. See “Detergent and Rinse Aid” to determine the amount of detergent needed based on your water hardness. Using dishwasher detergent tablets and packs have been proven better than powder, liquid or gel detergents to reduce filming on your dishes.

ULTRACLEAN™ FILTRATION SYSTEM

Your dishwasher has the latest technology in dishwasher filtration. This triple filtration system minimizes sound and optimizes water and energy consumption while providing superior cleaning performance. Throughout the life of your dishwasher, the filter will require maintenance to sustain peak cleaning performance.

The triple filter system consists of 2 parts, an upper filter assembly and a lower filter.

- The upper filter assembly keeps oversized items and foreign objects, along with very fine food particles out of the pump.
- The lower filter keeps food from being recirculated onto your dishware.



In order to provide optimum cleaning performance we suggest a monthly filter maintenance by removing and inspecting both the upper and the lower filter for any soils. Based on your dishwashing habits, cleaning of the filters may be required more or less often than what is indicated in the chart below.

The filters may need to be cleaned when:

- Visible objects or soils are on the Upper Filter Assembly.
- There is degradation in cleaning performance (that is, soils still present on dishes).
- Dishes feel gritty to the touch.

Removing and maintaining the filters is very easy. The chart below shows the recommended cleaning frequency.

Recommended time interval to clean your filter.

Number of Loads Per Week	If you wash before loading	If you scrape and rinse before loading	If you only scrape before loading*	If you do not scrape or rinse before loading
8-12	Once per year	Every four months	Every two months	Every two weeks
4-7	Once per year	Once per year	Every four months	Once per month
1-3	Once per year	Once per year	Twice per year	Every two months

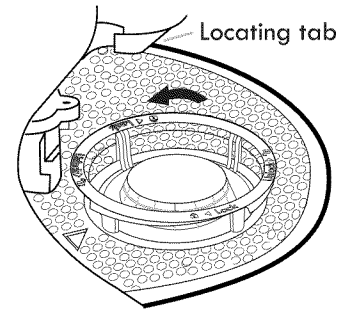
*Manufacturer's recommendation: This practice will eliminate the water and energy that you use preparing your dishes. This will also save you time and effort.

Very Hard Water

If you have hard water (above 15 grains), clean your filter at least once per month. Buildup of white residue on dishwasher surfaces indicates hard water. You may bring your water samples to Sears to check hardness level. For tips on removing spots and stains, see "Troubleshooting" section.

Filter Removal Instructions

1. Turn the Upper Filter Assembly $\frac{1}{4}$ turn counterclockwise and lift out.
2. Grasp the Lower Filter in the circular opening, lift slightly, and pull forward to remove.
3. Clean the filters as shown below.

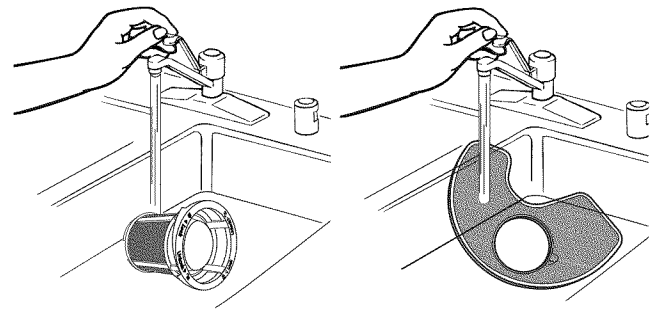


To remove Upper Filter Assembly

Cleaning Instructions

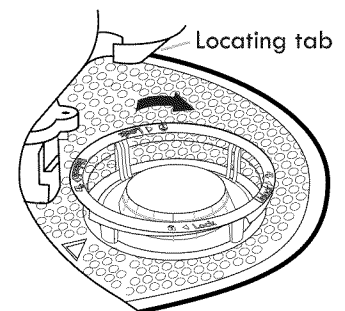
IMPORTANT: Do not use wire brush, scouring pad, etc., as they may damage the filters.

Rinse filter under running water until most soils are removed. If you have hard-to-remove soils or calcium deposits from hard water, a soft brush may be required.



Filter Reinstallation Instructions

1. Noting the previous illustrations, place the Lower Filter under the Locating Tabs in the bottom of the dishwasher so the round opening for the Upper Filter Assembly lines up with the round opening in the bottom of the tub.
2. Insert the Upper Filter Assembly into the circular opening in the Lower Filter.
3. Slowly rotate the filter clockwise until it drops into place. Continue to rotate until the filter is locked into place. If the filter is not fully seated (still turns freely), continue to turn the filter clockwise until it drops and locks into place.



To replace Upper Filter Assembly

IMPORTANT: To avoid damage to dishwasher, do not operate your dishwasher without the ULTRACLEAN™ filters properly installed. Be sure the Lower Filter is securely in place and the Upper Filter Assembly is locked into place. If the Upper Filter Assembly turns freely, it is not locked into place.

360 POWERWASH PLUS™

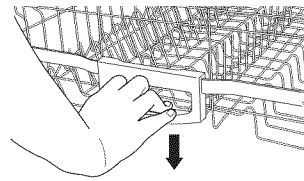
The 360 Powerwash Plus™ system offers advanced cleaning technology providing optimal water coverage. This technology enables the spray arms to turn in both directions while detecting if there are any items obstructing the spray arm from spinning. When the spray arms are obstructed the system will detect and force the spray arm to rotate in the opposite direction allowing complete coverage of the dishwasher load.

ONE-HAND ADJUSTER

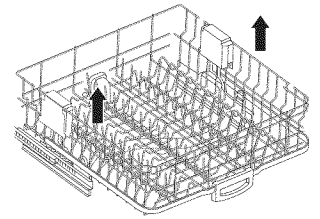
To adjust the height of the upper rack using the One-Hand Adjuster:

1. Pull the upper rack fully out of the dishwasher. Make sure the lower rack is pushed fully into the dishwasher.
2. Press the handle downward until it stops. You will hear 2 clicking sounds. This assures that both sides of the rack are locked.
3. Release the handle.
4. To adjust the height of the upper rack again, repeat steps 1 - 3.

NOTE: If one side of the rack is tilted down, lift the rack on the side tilted down. You will hear a clicking sound when the rack returns to level.



Adjust rack height



Level rack

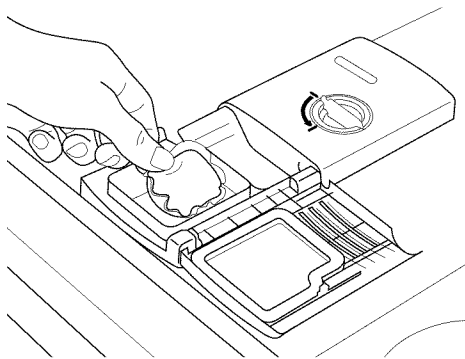
DISHWASHER EFFICIENCY TIPS

Hot water dissolves and activates the dishwasher detergent. Hot water also dissolves grease on dishes and helps glasses dry spot-free. For best dishwashing results, water should be 120°F (49°C) as it enters the dishwasher. Loads may not wash as well if the water temperature is too low.

Additional efficiency tips

- To save water, energy and time, only scrape dishes. Do not rinse dishes before putting them into the dishwasher.
- Use a delay feature to run your dishwasher during off-peak hours. Local utility providers recommend avoiding heavy usage of energy at certain times of day.
- During the summer, run your dishwasher at night. This reduces daytime heat buildup in the kitchen.
- Use a rinse aid to improve drying.

DETERGENT AND RINSE AID



Detergent

Premeasured Detergents

Many detergents now come in premeasured forms (gel packs, tablets, or powder packs). These forms are suitable for all hardness and soil levels. Always place premeasured detergents in main compartment and close lid.

Using dishwasher detergent tablets and packs have been proven better than powder, liquid or gel detergents at reducing filming on dishes. Using tablets and packs over time will start to reduce or eliminate white film. Also, by using a rinse aid you can minimize repeat buildup of white film.

NOTE: If you do not plan to run a wash cycle soon, run a rinse cycle. Do not use detergent.

- Use automatic dishwasher detergent only. Add powder, liquid or tablet detergent just before starting a cycle.
- Fresh automatic dishwasher detergent results in better cleaning. Store tightly closed detergent container in a cool, dry place.

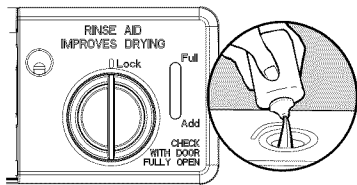
Powders and Gels

Water Hardness	Soil Level	Pre-Wash Compartment	Main Wash Compartment
Soft (0-4 grains per U.S. gallon)	Light	None	1/2
	Normal	None	1/2
	Heavy	Full	1/2
Medium (5-9 grains per U.S. gallon)	Light	None	1/2
	Normal	1/2	1/2
	Heavy	Full*	Full*
Hard (10-14 grains per U.S. gallon)	Light	1/2	Full*
	Normal	Full*	Full*
	Heavy	Full*	Full*

*Full pre-wash compartment contains 7 tsp (35 mL), and full main wash cup contains 9 tsp (45 mL).

IMPORTANT: Extremely hard water mineral deposits (15 grains per U.S. gallon or more) can cause damage to your dishwasher and make it difficult to achieve good results. A water softener is recommended to avoid damage and achieve good results. You may bring your water samples to Sears to check hardness level.

Rinse Aid



IMPORTANT: Your dishwasher is designed to use a liquid rinse aid. The use of rinse aids greatly improves drying by allowing water to drain from the dishes after the final rinse. They also keep water from forming droplets that can dry as spots or streaks.

Filling the dispenser

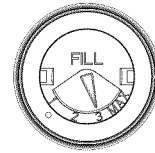
The dispenser holds 5 oz (150 mL) of rinse aid. Under most conditions this will last 1 to 3 months.

1. Turn the knob to the REFILL position and remove.
2. Pour rinse aid into the opening until the indicator points to FULL. Do not overfill.
3. Clean up any spilled rinse aid. Spilled rinse aid can create excessive suds.
4. Replace the knob and turn to the LOCK position.

NOTE: Indicator reads correct fill level when door is completely opened.

Rinse Aid Setting

Your rinse aid dispenser is adjustable. For most water conditions, the factory setting will give good results. If you have hard water and notice calcium buildup on your dishware, you may want to try a higher setting. If you notice foam in your dishwasher, use a lower setting.



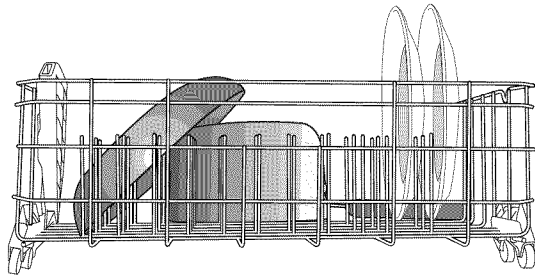
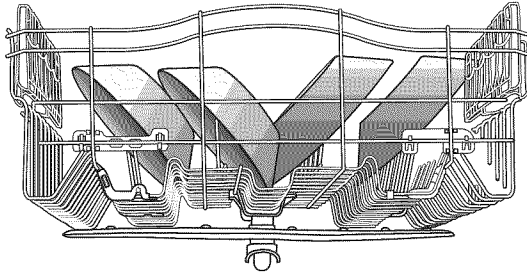
To adjust the setting

1. Turn the knob to the REFILL position and remove.
2. Turn the arrow inside the dispenser to the desired setting.
3. Replace the knob and turn to the LOCK position.

LOADING

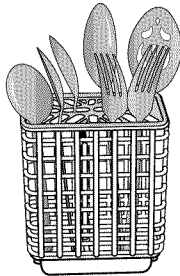
Loading For Best Cleaning and Drying Performance

1. Angle dirtiest dish surfaces downward and allow space for water to flow up through each rack and between dishware.



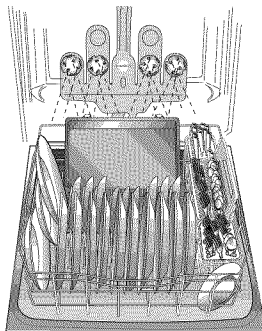
Separating allows water flow.

2. For best silverware cleaning use the slots in the covers to keep items separated.



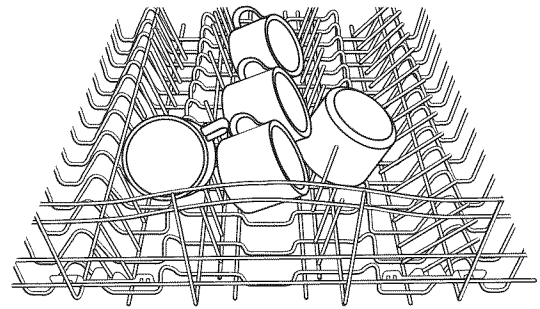
Separated

3. Use TURBOZONE® (on some models) option with your dirtiest items facing toward the lower back.



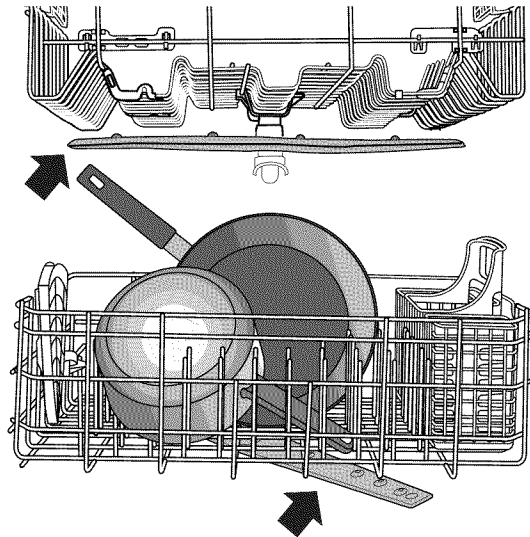
Soil facing TURBOZONE® spray jets

4. Angle concave surfaces such as the bottom of coffee cups to allow water to drain and improve drying performance.

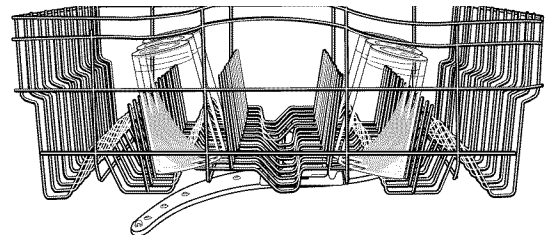


Angled surfaces

5. Check that the upper spray arm spins freely before every cycle. Assure nothing is blocking the lower spray arm.



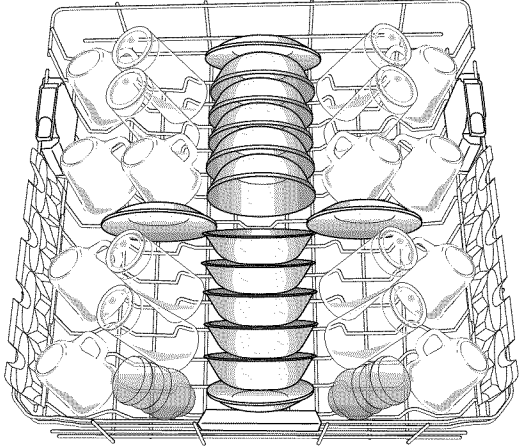
6. Place cups and glasses in the rows between tines.



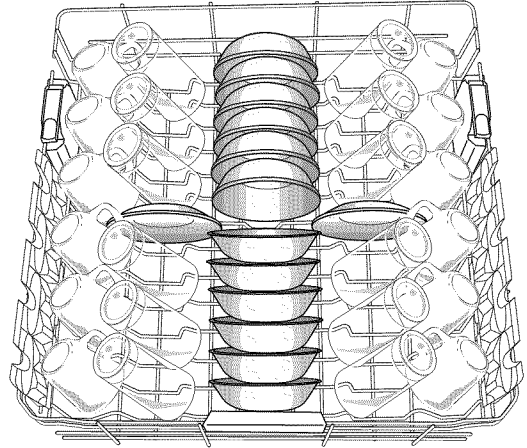
Top Rack Loading

Loading Recommendations

Place cups and glasses in the rows between tines. Placing them over the tines can lead to breakage and water spots. To avoid damage to your delicate items, be sure china, crystal, stemware and other similar items do not touch during dishwasher operation. Load lightweight and dishwasher-safe plastic items only in the top rack.



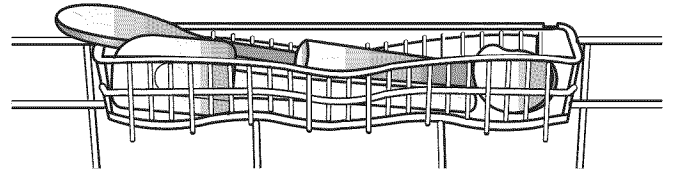
10 place setting load



12 place setting load

Utensil Basket (on some models)

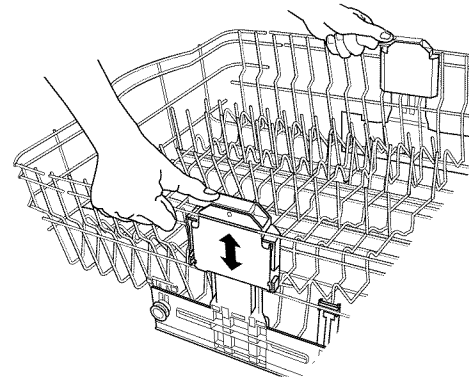
Use this extra capacity basket in the back of the top rack to hold spatulas, serving spoons, and similar items. The utensil basket can be removed for additional capacity by releasing the clips attached to the rack.



Deluxe Adjustable 2-position Rack (on some models)

You can raise or lower the top rack to fit tall items in either the top or bottom rack. Adjusters are located on each side of the top rack. Raise the top rack to accommodate items up to 9" (22 cm) in the top rack and 13" (33 cm) in the bottom rack, or lower the top rack to accommodate items up to 11" (28 cm) in both the top and bottom racks.

1. To raise, lift rack until both sides are at the same height and lock.
2. To lower, depress both tabs on rack adjusters, as shown, and lower.

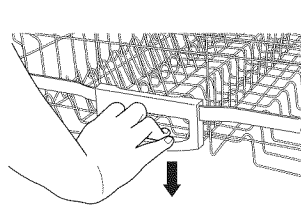


One-Hand Adjuster

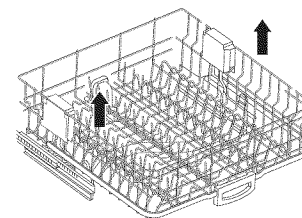
To adjust the height of the upper rack using the One-Hand Adjuster:

1. Pull the upper rack fully out of the dishwasher. Make sure the lower rack is pushed fully into the dishwasher.
2. Press the handle downward until it stops. You will hear 2 clicking sounds. This assures that both sides of the rack are locked.
3. Release the handle.
4. To adjust the height of the upper rack again, repeat steps 1 - 3.

Note: If one side of the rack is tilted down, lift the rack on the side tilted down. You will hear a clicking sound when the rack returns to level.



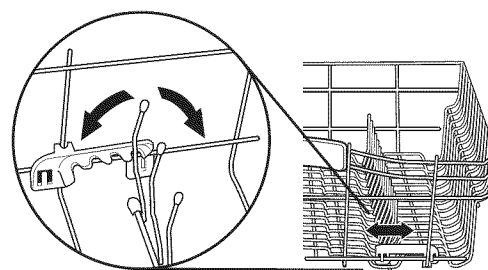
Adjust rack height



Level rack

Flexible Tines

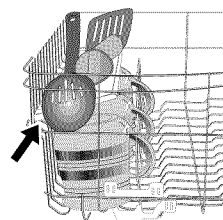
The row of tines on the left-hand and right-hand sides of the top rack can be adjusted to make room for a variety of dishes.



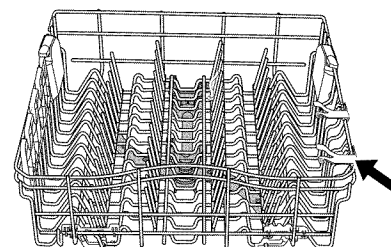
Cup Shelves and Stemware Clips (on some models)

Fold down the extra shelf on either side of the top rack to hold additional cups or long items, such as utensils and spatulas.

Use the stemware clips to hold stemware more securely.



Cup shelves



Stemware clips

Removable Top Rack (Smooth Motion Rack™)

The removable top rack allows you to wash larger items such as pots, roasters, and cookie sheets in the bottom rack.

IMPORTANT: Remove dishes prior to removing the top rack from the dishwasher.

To remove the rack:

To gain access to the removable tabs on the tracks/rails, pull the upper rack forward about halfway out of the tub.

On one side, press the tab on the track in and pull up the front end of the rack out of the track. Then repeat this step on the other side to completely remove the front end of the rack.

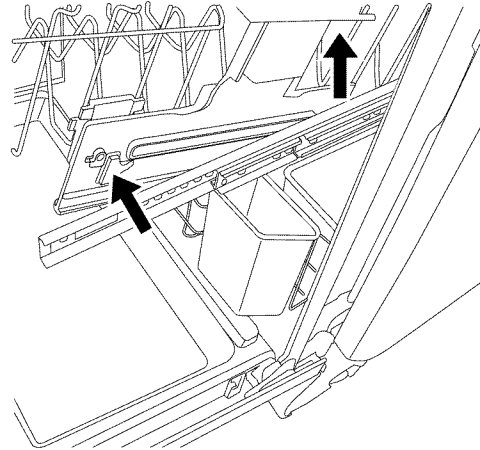
Then remove the back end of the rack, by pulling the back end out with a slightly forward then upward motion.

To replace the rack:

Pull the tracks forward about halfway out of the tub.

Along the sides of the racks are round attachment tabs. Align the rack's back end attachment tabs with the cutout in the track. Push down into place.

Pull the tracks completely out, and align the rack's front end attachment tabs with the cutout in the track. Push down into place. You will hear a snap when the front end of the rack is secured into place on each side.



Removal

Bottom Rack Loading

Loading Recommendations

The bottom rack is best suited for plates, pans, casseroles, and utensils. See recommended loading patterns shown.

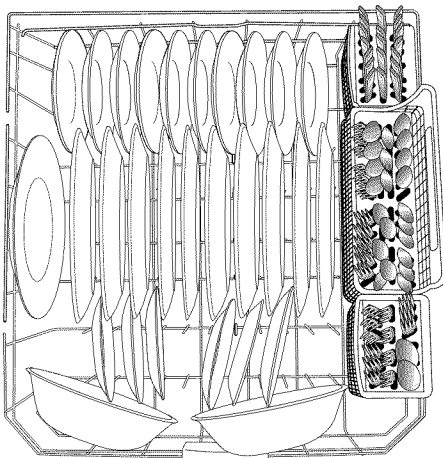
Load small items in the bottom rack only if they are secured in place.

Load plates, soup bowls, etc., between tines.

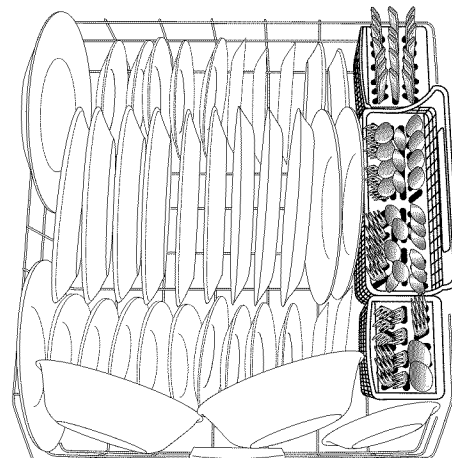
Load bowls securely between the rows of tines. Ensure that there is space between dishes so that the spray will reach all surfaces.

Load heavily soiled items facing the spray.

NOTE: Ensure that detergent dispenser is not blocked by tall items such as cookie sheets or cutting boards placed at the left-hand front of rack. See "Start Up/Quick Reference" section.



10 place setting load



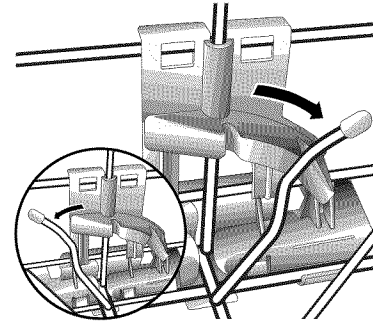
12 place setting load

Fold-Down Tines (on some models)

You can fold down one row of tines at the back of the bottom rack in order to accommodate larger dishware.

Keep this tine row in the 60° position when using the TURBOZONE® option (on some models).

IMPORTANT: When moving the tine row to the flat position, fold only the tine row toward the front of the dishwasher.



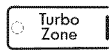
TURBOZONE® Loading (on some models)

IMPORTANT: For proper performance, only one row of items may face the TURBOZONE® spray jets.

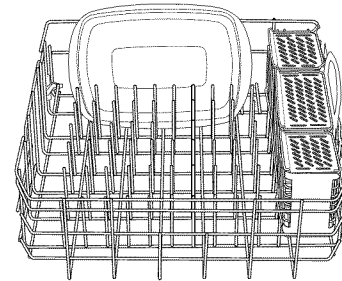
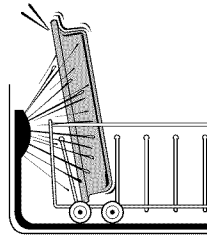
You must select the TURBOZONE® wash option to utilize this wash feature.

Load pans, casserole dishes, etc., with the soiled surfaces facing the TURBOZONE® spray jets. TURBOZONE® wash area is located at the back of the lower dish rack.

Place the fold-down tine row in the 60° position when using the TurboZone® option (on some models).



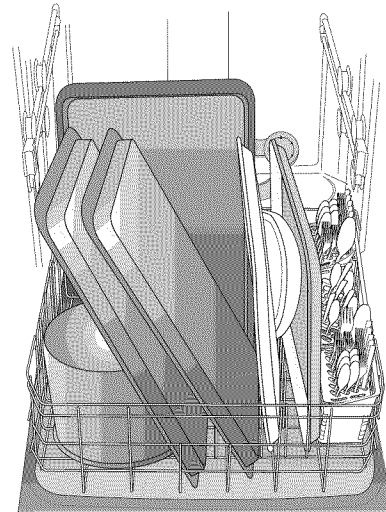
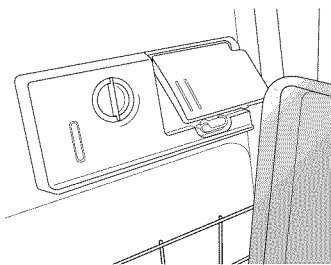
Back of
dishwasher



Loading Tall Items

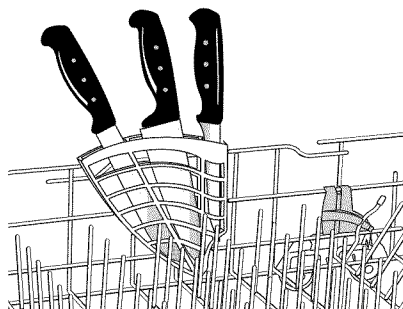
You can wash larger items such as pots, roasters, and cookie sheets in the bottom rack by removing the top rack. See “Top Rack Loading” section.

IMPORTANT: Do not block detergent dispenser.



Knife Holder (on some models)

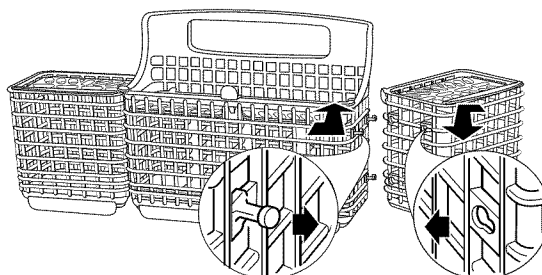
To load knives that are too large for the silverware basket, use the knife holder located on the left-hand side of the bottom rack. Place knives in the holder as shown.



Splittable Silverware Basket (on some models)

Your new silverware basket can be split into three segments. Removing one section will increase your capacity in the TurboZone® (on some models) loading area.

You can remove the covered side baskets to place in the top rack. Use for small delicate items such as baby bottle caps, nipples and small baking utensils, etc.

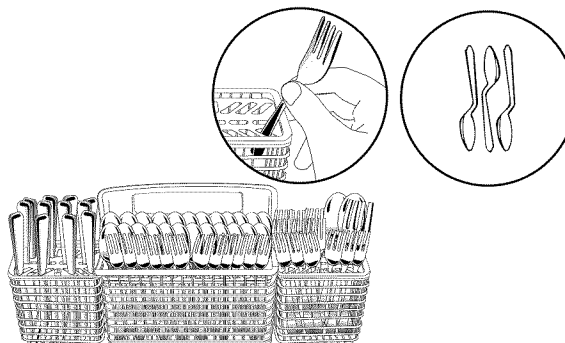


Loading Silverware

Use suggested loading patterns, as shown, to better clean your silverware.

Use the slots in the covers to keep your silverware separated for optimum wash. See illustration at right.

NOTE: If your silverware does not fit into the designated slots, flip the covers up and mix silverware types to keep them separated. Load knives down, forks up, and alternate spoons, as illustrated, for best cleaning results.



DISHWASHER USE

Cycles and Options Information (on some models)



Cycles	Soil Level	Time* (mins.) w/o Options		Water Usage Gallons (Liters)
		Typical**	Max	
SmartWash[®] HE cycle The most advanced and versatile cycle. This cycle senses the load size, soil amount, and toughness of soil. This cycle is optimized to achieve outstanding cleaning with minimal water and energy.	Light to Medium	110	150	4.0 (15.0)
	Tough/Baked-On	125	190	5.0 (19.0)
	Heavy	125	190	7.7 (29.0)
Pots & Pans Works best on your toughest items, such as casseroles with baked-on food residue. Use with TURBOZONE [®] option (on some models) to get the best baked-on soil cleaning.	Heavy/Baked-On	140	205	8.2 (31.0)
Normal Wash This cycle is recommended to completely wash a full load of normally soiled dishes. The energy label is based on this cycle.	Light to Medium	110	150	2.8-4.0 (10.5-15.0)
	Heavy	125	190	7.7 (29.0)
China Gentle (on some models) Provides a light wash and gentle dry for delicate items such as china and crystal.	Light to Medium	105	145	2.8-4.0 (10.5-15.0)
	Heavy	120	185	7.7 (29.0)
Quick Rinse Use for rinsing dishes, glasses, and silverware that will not be washed right away. Do not use detergent.	All soil levels	17	20	2.1 (8.0)
1 Hour Wash To save water and energy, High Efficiency dishwashers use advanced filtration which may result in longer cycle times (in some cases over 2 hours). When you need fast results, the 1 Hour Wash cycle will clean your dishes using slightly more water and energy. For improved drying, select the SmartDry [™] option. 1 Hour Wash is optimized and no options are needed.	All soil levels	58	64	6.2 (23.5)

*Adding options will add time to the cycle. See options information section.

**This is the approximate cycle time obtained with 120°F (49°C) hot water available at the dishwasher. Increase in time results from low temperature of the incoming water.

Options	Can be selected with	What it does	Added time to cycle		Added Water [†] Gallons (Liters)
			Typical	Max	
TURBOZONE® option (on some models) Blasts into every corner to eliminate the need for soaking and scrubbing of dirty, baked-on dishes. For your toughest items, use the TURBOZONE® option with the Pots & Pans cycle. See loading information.	SmartWash®^{HE} Pots & Pans Normal Wash	Directs all of the cleaning power of the dishwasher to the TURBOZONE® area during certain times in the wash cycle.	53	73	0 - 3.0 (0 - 11.4)
High Temp Raises the main wash temperature to improve cleaning. When used with the Normal Wash cycle, it will provide a little extra tough cleaning capability, but not as much as the Pots & Pans cycle.	SmartWash®^{HE} Pots & Pans Normal Wash	Raises the main wash temperature from 120°F (49°C) to 140°F (60°C).	22	40	0 - 3.0 (0 - 11.4)
Sani Rinse This high temperature option sanitizes your dishes and glassware in accordance with National Sanitation Foundation (NSF)/ANSI Standard 184 for Residential Dishwashers. Certified residential dishwashers are not intended for licensed food establishments. The Sani Rinse indicator indicates at the end of the cycle whether the Sani Rinse option was successfully completed. If the indicator does not activate, it is probably due to the cycle being interrupted.	SmartWash®^{HE} Pots & Pans Normal Wash	Increases the main wash temperature from 120°F (49°C) to 140°F (60°C) and the final rinse from 140°F (60°C) to 155°F (68°C).	53	73	0 - 3.0 (0 - 11.4)
Top Rack Only For added convenience, use for washing a small load of dishes in the top rack to help keep the kitchen continuously clean.	Available with any cycle Cannot be used with TURBOZONE® option	Slightly faster wash for smaller loads	-7	-30	0
SmartDry™ Turns the heat element on, with fan assist on, at the end of the wash cycle. Use rinse aid with or without the SmartDry™ option for best drying results. Plastic items are less likely to deform when loaded in the top dish rack.	Available with any cycle except Quick Rinse	Turns the heat element on at the end of the wash cycle.	44	51	0

[†] Selecting multiple options does not result in accumulative time and water from chart above.

Dishwasher Control Section

Delay Hours (on some models)

Use this option to run your dishwasher during off-peak hours. Local utility providers recommend using energy during off-peak hours when possible.

To delay the start:

1. Select a wash cycle and options.
2. Press the 1-12 Hour Delay button to choose the number of hours to be delayed.
3. Press START/RESUME.

NOTE: Anytime the door is opened for more than 5 seconds (such as, to add a dish), the Start/Resume button must be pressed again to resume the delay countdown.

Control Lock Option

Use the Control Lock option to avoid unintended use of the dishwasher between cycles. When Lock On is lit, all buttons are disabled. The dishwasher door can still be opened/closed while the controls are locked.

To turn on Control Lock:

Press and hold TOP RACK ONLY for 3 seconds. A message on the LCD will confirm that the controls are locked. If you press any pad while your dishwasher is locked, the LCD will display a message indicating the controls are locked.

NOTE: The dishwasher cannot start if the control is locked.

To turn off Control Lock

NOTE: You may need to disable Sleep Mode by pressing either START/RESUME or CANCEL/DRAIN, or by opening and closing the door before you are able to turn off Control Lock.

Press and hold TOP RACK ONLY for 3 seconds. The light turns off. A message on the LCD will confirm that the controls are unlocked.

Dishwasher Feedback Section

Indicators and Countdown Bar (on some models)



The indicators will inform you if you are able to add a dish to the cycle after it started. It will also inform you if the dishwasher is washing, rinsing, drying, complete, and/or sanitized. They will show whether the control is locked and/or the delay option is selected. A series of bars will count down the duration of the cycle remaining from left to right. Each bar equals approximately 24 minutes of cycle length.

Selecting Cycles and Options

1. To repeat the same cycle/options used on previous cycle, press START/RESUME once to show which selections you used. To change the cycle, select desired cycle.
2. Select the desired options, then press START/RESUME to start the cycle. Not all options are available for every cycle. If an invalid option is selected for a given cycle, the lights will flash.

Turning OFF/ON the Sound

Press and hold HIGH TEMP for 3 seconds to toggle sound On and Off. The sound will not deactivate for cycle interruption or service required messages. A screen on the Text LCD will confirm when the sound has been turned Off or On.

Canceling A Cycle

1. Open the door slightly to stop the cycle. Wait for the spraying action to stop before completely opening the door.
2. Press and hold the Cancel/Drain button until the Cancel/Drain light turns on.
3. Close the door. The dishwasher starts a drain cycle if water remains in bottom of dishwasher. Let the dishwasher drain completely. The Cancel/Drain light turns off after 2 minutes.

Changing A Cycle After Dishwasher Is Started

You can interrupt a cycle and restart your dishwasher from the beginning using the following procedure.

1. Open the door slightly to stop the cycle. Wait for the spraying action to stop, then open the door completely.
 2. Check whether the detergent dispenser cover is still closed. If it is open, you will need to refill the detergent dispenser before restarting your new cycle.
 3. Press and hold CANCEL/DRAIN twice to reset the control.
 4. Select new cycles and options.
 5. Press START/RESUME.
-

Adding A Dish After Dishwasher Is Started

1. Check if Add a Dish indicator is lit.
 2. Open the door slightly to stop the cycle. Wait for the spraying action to stop, then open the door completely.
 3. Check whether the detergent dispenser cover is still closed. If it is open, the wash cycle has already started and adding a dish is not recommended.
 4. If detergent has not yet been used (detergent dispenser cover is closed), you may add a dish.
 5. Press START/RESUME.
-

WASHING SPECIAL ITEMS

If you have doubts about washing a particular item, check with the manufacturer to see if it is dishwasher safe.

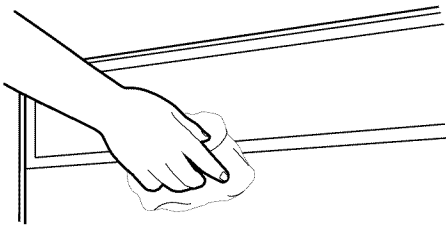
Material	Dishwasher Safe?	Comments
Aluminum	Yes	High water temperature and detergents can affect finish of anodized aluminum.
Disposable Aluminum	No	Do not wash disposable aluminum pans in the dishwasher. These might shift during washing and transfer black marks to dishes and other items.
Bottles and Cans	No	Wash bottles and cans by hand. Labels attached with glue can loosen and clog the wash system and reduce washing performance.
Cast Iron	No	Seasoning will be removed and then will rust.
China/Stoneware	Yes	Always check manufacturer's recommendations before washing. Antique, hand-painted, or over-the-glaze patterns may fade. Gold leaf can discolor or fade.
Crystal	Yes	Always check manufacturer's recommendations before washing. Some types of leaded crystal can etch with repeated washing.
Gold	No	Gold-colored flatware will discolor.
Glass	Yes	Milk glass material yellows with repeated dishwasher washing.
Hollow-Handle Knives	No	Handles of some knives are attached to the blade with adhesives which can loosen if washed in the dishwasher.
Pewter, Brass, Bronze, and Copper	No	High water temperatures and detergent can discolor or pit the finish.
Disposable Plastics	No	Cannot withstand high water temperatures and detergents.

Material	Dishwasher Safe?	Comments
Plastics	Yes	Always check manufacturer's recommendations before washing. Plastic items may vary in their ability to withstand high temperatures and detergents. It is recommended that lightweight items such as lids and butter dishes be placed in the upper rack only. Sturdy items such as coolers and high-chair trays may be placed in the lower rack. When washing plastic items in the lower rack, it is recommended not to use the SmartDry™ option.
Stainless Steel	Yes	Run a rinse cycle if not washing immediately. Prolonged contact with food containing salt, vinegar, milk products, or fruit juice can damage finish.
Sterling Silver or Silver Plate	Yes	Run a rinse cycle if not washing immediately. Prolonged contact with food containing salt, acid, or sulfide (eggs, mayonnaise, and seafood) can damage finish.
Tin	No	Not recommended.
Wooden Ware	No	Wash by hand. Always check manufacturer's instructions before washing. Untreated wood can warp, crack, or lose its finish.
Large Casserole Section	Yes	There may be certain casserole dishes that may not fit in front of the TurboZone® feature (on some models) in the back of the lower dish rack. Adjust the tines as necessary to load the large dishes.

DISHWASHER CARE

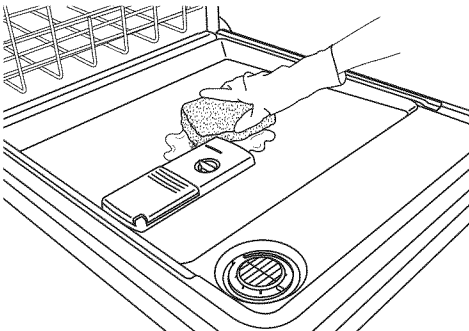
Cleaning

Cleaning the exterior



In most cases, regular use of a soft, damp cloth or sponge and a mild detergent is all that is necessary to keep the outside of your dishwasher looking nice and clean. If your dishwasher has a stainless steel exterior, a stainless steel cleaner is recommended.

Cleaning the interior



Hard water minerals can cause a white film to build up on the inside surfaces, especially just beneath the door area.

Do not clean the dishwasher interior until it has cooled. You may want to wear rubber gloves. Do not use any type of cleanser other than dishwasher detergent because it may cause foaming or sudsing.

To clean interior

Make a paste with powdered dishwasher detergent on a damp sponge and clean.

OR

Use liquid automatic dishwasher detergent and clean with a damp sponge.

OR

See the vinegar rinse procedure in "Spotting and filming on dishes" in "Troubleshooting" section.

NOTE: Run a normal cycle with dishwasher detergent after cleaning the interior.

Dishwasher Maintenance Procedure

To help avoid hard water residue in your dishwasher, use affresh^{®†} dishwasher cleaner (recommended) once a month as part of routine maintenance. affresh[®] dishwasher cleaner is effective in all dishwasher brands.

IMPORTANT:

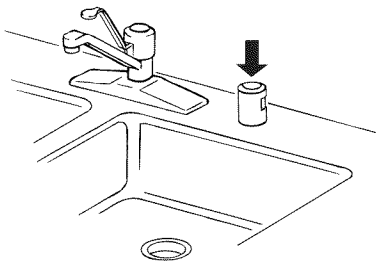
- Read these instructions and the instructions found on the affresh[®] product package completely before beginning the cleaning process.

Removal of Hard Water/Filming: Recommended use of a monthly maintenance product such as affresh[®] Dishwasher Cleaner Part Number W10282479.

- Load your dishwasher (preferably with dishes affected by filming/hard water).
- Place tablet in main wash compartment of detergent dispenser.
- Select cycle/option best for heavily soiled dishes and start dishwasher.

NOTE: Recommended to use a premeasured detergent tablet or pack for regular daily use.

Drain Air Gap



Some state or local plumbing codes require the addition of a drain air gap between a built-in dishwasher and the home drain system. Check the drain air gap when your dishwasher is not draining well.

The drain air gap is usually located on top of the sink or countertop near the dishwasher. To order a drain air gap, please call **1-800-4-MY-HOME[®]**. Ask for Part Number 300096.

NOTE: The drain air gap is an external plumbing device that is not part of your dishwasher. The warranty provided with your dishwasher does not cover service costs directly associated with the cleaning or repair of the external drain air gap.

To clean the drain air gap

Clean the drain air gap periodically to ensure proper drainage of your dishwasher. With most types, you lift off the chrome cover. Unscrew the plastic cap. Then check for any soil buildup. Clean if necessary.

Storing

Storing for the summer

If your dishwasher is not in use during the summer months, turn off the water supply and power supply to the dishwasher.

Storing for the winter

Avoid possible water damage to your home and dishwasher due to freezing water lines. If your dishwasher is left in a seasonal dwelling or could be exposed to near freezing temperatures, have your dishwasher winterized by authorized service personnel.

[†] affresh is a registered trademark of Whirlpool.

TROUBLESHOOTING

CHECK THESE POINTS TO HELP SAVE YOU TIME AND MONEY.

PROBLEM	SOLUTION
DISHWASHER DOES NOT RUN	<p>NOTE: It is normal for the dishwasher to repeatedly pause several times during a cycle.</p> <p>If the Start/Resume light is blinking, push START/RESUME and close the door within 3 seconds. Be sure the door is closed and latched. If the upper rack is uneven, lift the rack on the side tilted down. An uneven rack can keep the door from closing.</p> <p>Check that there is not an interference with large casserole dishes and the wash system at the back of the dishwasher. Adjust loading as necessary to ensure door is closed and latched.</p> <p>Be sure you have selected a cycle. (See “Cycles and Options Information.”)</p> <p>Be sure there is power to the dishwasher. A circuit breaker or fuse may have tripped.</p> <p>If lights other than Start/Resume blink and the unit will not run, you will need to call for service.</p>
DETERGENT REMAINS IN THE DISPENSER OR TABLET IS ON BOTTOM OF TUB	<p>Check for dishware such as cookie sheets, cutting boards, or large containers, etc., that may be blocking the detergent dispenser from opening properly.</p> <p>Be sure your detergent is fresh and lump free.</p> <p>Be sure the cycle has completed (blue light is on). If it has not completed, you will need to resume the cycle by pressing START/RESUME and closing the door within 3 seconds.</p>
CYCLE RUNS TOO LONG	<p>NOTES:</p> <ul style="list-style-type: none">■ To use less water and reduce energy consumption you will encounter cycles that typically run for up to 3 hours.■ A water heater setting of 120°F (49°C) is best. The dishwasher will delay longer while heating cooler water.■ Some options will add time to the cycle. (See “Cycles and Options Information” section.) The SmartDry™ option adds ½ hour. <p>Try the 1 Hour Wash cycle.</p> <p>Run the hot water at a faucet close to the dishwasher before selecting and starting the cycle.</p>
DISHWASHER NOT DRYING	<p>NOTE: Plastic and items with nonstick surfaces are difficult to dry because they have a porous surface which tends to collect water droplets. Towel drying may be necessary.</p> <p>Use of rinse aid along with the SmartDry™ option is needed for proper drying.</p> <p>Proper loading of items can affect drying. (See specific loading instructions within this guide.)</p> <p>Glasses and cups with concave bottoms hold water. This water may spill onto other items when unloading.</p> <ul style="list-style-type: none">■ Unload the bottom rack first.■ Locate these items on the more slanted side of the rack for improved results.
WILL NOT FILL	<p>Be sure the water is turned on to the dishwasher.</p> <p>Check that the float is free from obstructions. (See “Parts and Features.”)</p> <p>Check for suds in the dishwasher. If foam or suds are detected, the dishwasher may not operate properly or may not fill with water.</p>
WATER REMAINS IN THE TUB/ WILL NOT DRAIN	<p>Be sure the cycle has completed (the blue light is on). If it has not, you will need to resume the cycle by pressing START/RESUME and closing the door within 3 seconds.</p> <p>If dishwasher is connected to a food waste disposer, be sure the knockout plug has been removed from the disposer inlet.</p> <p>Check for kinks in the drain hose.</p> <p>Check for food obstructions in the drain or disposer.</p> <p>Check your house fuse or circuit breaker.</p>

PROBLEM	SOLUTION
HARD WATER (WHITE RESIDUE ON DISHWASHER INTERIOR OR GLASSWARE)	<p>NOTE: Extremely hard water mineral deposits can cause damage to your dishwasher and make it difficult to achieve good cleaning. You may bring water samples to Sears to check your water hardness level. A water softener is strongly recommended if your hardness is 15 grains or more. If a water softener is not installed, the following steps may help:</p> <p>Use a cleaner designed for dishwashers once per month. See the “Dishwasher Maintenance Procedure” section.</p> <p>Clean the ULTRACLEAN™ filters at least once per month.</p> <p>Always use a rinse aid.</p> <p>Always use a high-quality, fresh detergent.</p> <p>Use a detergent booster/water softener additive designed for dishwashers.</p>
ODORS	<p>NOTE: If the dishwasher is not used daily, you can run a rinse cycle with the partial load daily until a full load is ready to run, or use the Top Rack Only option (on some models) for partial loads.</p> <p>Run a vinegar rinse through the dishwasher by putting 2 cups (500 mL) of white vinegar in an upright glass measuring cup in the lower rack. Run a normal cycle with the SmartDry™ option turned off. Do not use detergent.</p> <p>The dishwasher may not be draining properly, see “WATER REMAINS IN THE TUB/WILL NOT DRAIN” in “Troubleshooting.”</p>
NOISY	<p>NOTES:</p> <ul style="list-style-type: none"> ■ Surging sounds can occur periodically throughout the cycle while the dishwasher is draining. ■ Normal water valve hissing may be heard periodically. ■ A normal snap sound may be heard when the detergent dispenser opens during the cycle and when the door is opened at the end of the cycle. ■ Improper installation will affect noise levels. <p>Be sure the filters are properly installed.</p> <p>A thumping sound may be heard if items extend beyond the racks and interfere with the wash arms. Readjust the dishware and resume the cycle.</p>
FOOD SOILS REMAIN ON DISHES	<p>Be sure the dishwasher is loaded correctly. Improper loading can greatly decrease the washing performance (see “Loading for Best Performance”).</p> <p>Check filter to ensure it is properly installed. Clean it if needed. (See “Cleaning Instructions” in “ULTRACLEAN™ Filtration System” for details.)</p> <p>Select the proper cycle and option for the type of soils. The Pots Pans cycle with the TURBOZONE® (on some models) option can be used for tougher loads.</p> <p>Be sure the incoming water temperature is at least 120°F (49°C).</p> <p>Use the proper amount of fresh detergent. More detergent is needed for heavier-soiled loads and hard water conditions.</p> <p>Scrape food from dishes prior to loading (do not prerinse).</p>
DID NOT SANITIZE	<p>If the Sani Rinse indicator light is blinking, the load is <i>NOT</i> sanitized. The cycle was interrupted in the final rinse, or your water heater is set too low. Set your water heater to 120°F (49°C).</p>
DAMAGE TO DISHWARE	<p>Improper loading can cause dishes to become chipped or damaged. (See specific loading instructions within this guide.)</p>
BLINKING LIGHTS	<p>If Start/Resume or any status lights are blinking and the dishwasher will not run, push START/RESUME and close the door within 3 seconds. If the dishwasher still will not run, call service at 1-800-4-MY-HOME®.</p>

PROBLEM	SOLUTION
CLOUDY OR SPOTTED DISHWARE (AND HARD WATER SOLUTION)	<p>NOTES:</p> <ul style="list-style-type: none"> ■ Liquid rinse aid is necessary for drying and to reduce spotting. ■ Use the correct amount of detergent. <p>Confirm that the cloudiness is removable by soaking the item in white vinegar for 5 minutes. If the cloudiness disappears, it is due to hard water. Adjust the amount of detergent and rinse aid. See “HARD WATER (WHITE RESIDUE ON DISHWASHER INTERIOR OR GLASSWARE)” in “Troubleshooting.” If it does not come clear, it is due to etching (see below).</p> <p>Be sure the incoming water temperature is set at 120°F (49°C).</p> <p>Try using the High Temp and Sani Rinse options.</p> <p>To remove spotting, run a vinegar rinse through the dishwasher.</p> <ul style="list-style-type: none"> ■ Wash and rinse the affected dishware and load into dishwasher. Remove all silverware and metal items. Put 2 cups (500 mL) of white vinegar in a glass measuring cup in the lower rack. Run a normal cycle with the SmartDry™ option turned off. No detergent is needed.
ETCHING (PERMANENT CLOUDINESS)	<p>This is an erosion of the surface of the glassware and can be caused by a combination of: water that is too hot, from using too much detergent with soft water or by pre-washing. Detergent needs food soil to act upon. If etching has occurred, the glassware is permanently damaged. To avoid further etching, adjust the detergent amount to match the water hardness, stop pre-washing, and use water heating options only when incoming water temperature is below 120°F (49°C).</p>
LEAKING WATER	<p>Be sure dishwasher has been installed properly and is level.</p> <p>Suds can cause the dishwasher to overflow. Measure the detergent accurately and use only detergents designed for use in a dishwasher. Less detergent is needed in soft water. Try another brand of detergent if sudsing continues.</p> <p>To avoid rinse aid leaking from the dispenser, be sure the lid is securely attached and avoid overfilling.</p>
TUB IS DISCOLORED	<p>NOTES:</p> <ul style="list-style-type: none"> ■ High iron content in the water can discolor the tub. ■ Tomato-based foods can discolor the tub or dishware. ■ A citrus-based cleaner can be used to clean.

ÍNDICE

CONTRATOS DE PROTECCIÓN	28	USO DE LA LAVAVAJILLAS	47
GARANTÍA.....	29	Información acerca de los ciclos y las opciones.....	47
SEGURIDAD DE LA LAVAVAJILLAS.....	30	Sección de control de la lavavajillas	49
QUÉ HAY DE NUEVO EN SU LAVAVAJILLAS.....	32	Sección de información provista por la lavavajillas.....	49
Energía.....	32	Cómo cancelar un ciclo	50
Desempeño	32	Cómo cambiar un ciclo después de iniciar la lavavajillas	50
PIEZAS Y CARACTERÍSTICAS	33	Cómo agregar un plato después de iniciar la lavavajillas	50
PUESTA EN MARCHA/REFERENCIA RÁPIDA.....	34	CÓMO LAVAR ARTÍCULOS ESPECIALES	50
SISTEMA DE FILTRACIÓN ULTRACLEAN™	35	CUIDADO DE LA LAVAVAJILLAS	52
360 POWERWASH PLUS™	37	Limpieza.....	52
AJUSTADOR DE MANO.....	37	Procedimiento para el mantenimiento de la lavadora.....	52
CONSEJOS PARA LA EFICIENCIA DE LA LAVAVAJILLAS	37	Purga de aire del desagüe.....	53
DETERGENTE Y AGENTE DE ENJUAGUE.....	38	Cómo guardar	53
Detergente	38	SOLUCIÓN DE PROBLEMAS	53
Agente de enjuague.....	39	NÚMEROS DE SERVICIO	CONTRAPORTADA
CÓMO CARGAR	40		
Cómo cargar para mejorar el rendimiento de limpieza y secado.....	40		
Cómo cargar la canasta superior	41		
Cómo cargar la canasta inferior.....	44		

CONTRATOS DE PROTECCIÓN

Contratos maestros de protección

¡Felicitaciones por su inteligente adquisición! Su nuevo producto Kenmore® está diseñado y fabricado para proporcionarle años de funcionamiento confiable. Pero al igual que todos los productos, puede necesitar mantenimiento preventivo o reparación de vez en cuando. Es allí donde el Contrato maestro de protección puede ahorrarle dinero e inconvenientes.

El Contrato maestro de protección también ayuda a prolongar la vida de su nuevo producto. He aquí lo que se incluye en el Contrato*:

- ✓ **Piezas y mano de obra** necesarias para ayudar a mantener los productos funcionando correctamente **bajo uso normal**, no sólo en caso de defectos. Nuestra cobertura va **mucho más allá de la garantía del producto**. No existen deducibles ni fallas de funcionamiento que estén excluidas de la cobertura — **protección verdadera**.
- ✓ **Servicio experto** a cargo de un personal de más de 10.000 **técnicos de servicio autorizados por Sears**, lo que significa que su producto será reparado por alguien en quien usted puede confiar.
- ✓ **Llamadas de servicio ilimitado y servicio en todo el país**, con la frecuencia que usted desee, cuando usted desee.
- ✓ **Garantía “sin disgustos”** – reemplazo de su producto protegido si ocurren cuatro fallas o más del producto en el transcurso de doce meses.
- ✓ **Reemplazo del producto** si su producto protegido no puede ser reparado.
- ✓ **Revisión anual de mantenimiento preventivo** a solicitud suya – sin costo adicional.
- ✓ **Ayuda rápida por teléfono** – lo que nosotros llamamos **Solución rápida** – apoyo por teléfono a cargo de un representante de Sears para todos los productos. Piense en nosotros como si fuéramos un “manual parlante para el propietario”.
- ✓ **Protección de sobrevoltaje** contra daños eléctricos debido a fluctuaciones de electricidad.
- ✓ **Protección por pérdida de comida, por un valor anual de \$250**, por cualquier pérdida de comida que sea como resultado de fallas mecánicas de cualquier refrigerador o congelador cubierto bajo la garantía.
- ✓ **Reembolso de la renta** si la reparación de su producto protegido tarda más de lo prometido.
- ✓ **10% de descuento** sobre el precio común por el servicio de reparación que no esté bajo protección, así como también las piezas relacionadas con el mismo que se hayan instalado.

Una vez adquirido el Contrato, tan sólo tiene que llamar para fijar la visita de servicio técnico. Usted puede llamar a cualquier hora, de día o de noche, o fijar una visita técnica en Internet.

El Contrato maestro de protección es una compra sin riesgo. Si por algún motivo usted lo cancela durante el período de la garantía del producto, le proveeremos un reembolso total. O un reembolso proporcional en cualquier momento posterior a la expiración del período de la garantía. ¡Adquiera hoy su Contrato maestro de protección!

Se aplican algunas limitaciones y exclusiones. Para obtener precios e información adicional en EE.UU., llame al 1-800-827-6655.

***La cobertura en Canadá varía en algunos artículos. Para obtener los detalles completos, llame a Sears Canada al 1-800-361-6665.**

Servicio de instalación de Sears

Para la instalación profesional de Sears de aparatos electrodomésticos, abridores de puertas de garaje, calentadores de agua y otros artículos principales del hogar, en los EE.UU. o en Canadá llame al 1-800-4-MY-HOME®.

GARANTÍA LIMITADA DE KENMORE ELITE®

Cuando este aparato sea instalado, operado y mantenido según todas las instrucciones provistas, la siguiente cobertura de la garantía es aplicable. Para gestionar el servicio bajo la garantía, llame al 1-800-4-MY-HOME® (1-800-469-4663).

- **Por dos años a partir de la fecha de compra**, cualquier pieza de la lavavajillas que falle debido a materiales defectuosos o mano de obra, será reemplazada libre de cargo. Después del primer año de la fecha de compra, el cliente asume la responsabilidad por cualquier costo de mano de obra relativa al reemplazo de estas piezas.
- **Por cinco años a partir de la fecha de compra**, cualquier pieza de la canasta para platos superior o inferior que falle debido a materiales defectuosos o mano de obra, será reemplazada libre de cargo. Después del primer año de la fecha de compra, el cliente asume la responsabilidad por cualquier costo de mano de obra relativa al reemplazo de una canasta para platos.
- **Si hubiera alguna vez una fuga** como consecuencia de que el óxido traspase la tina de acero inoxidable o el panel de la puerta interior, la tina o el panel será reemplazada/o libre de cargo.

Esta garantía sólo tiene vigencia durante 90 días a partir de la fecha de compra si este aparato se ha usado alguna vez para fines diferentes de los privados de una familia.

Esta garantía cubre únicamente defectos de material y mano de obra, y NO se pagará por:

1. Los artículos no reutilizables que puedan gastarse con el uso normal, incluyendo, pero sin limitación, filtros, correas, focos y bolsas.
2. Un técnico de servicio para enseñarle al usuario cómo instalar, operar o mantener el producto adecuadamente.
3. Un técnico de servicio para limpiar o mantener este producto.

4. Daños a este producto o fallas del mismo en caso de no ser instalado, operado o mantenido conforme a todas las instrucciones provistas con el producto.
5. Daños a este producto o fallas del mismo como resultado de accidente, abuso, uso indebido o un uso diferente de aquél para el cual fue creado.
6. Daños a este producto o fallas del mismo causados por el uso de detergentes, limpiadores, productos químicos o utensilios diferentes de los recomendados en todas las instrucciones provistas con el producto.
7. Daños a piezas o sistemas o fallas de los mismos como resultado de modificaciones no autorizadas que se hayan efectuado en este producto.

Exclusión de garantías implícitas; limitación de recursos

El único y exclusivo recurso del cliente según los términos de esta garantía limitada será el de reparar el producto según se estipula en la presente. Las garantías implícitas, incluyendo las garantías de comerciabilidad o de capacidad para un propósito particular, serán limitadas a un año o al período más corto permitido por ley. Sears no se hará responsable por daños incidentales o consecuentes. Algunos estados y provincias no permiten la exclusión o limitación de daños incidentales o consecuentes, o limitación acerca de cuánto debe durar una garantía implícita de comerciabilidad o capacidad, de modo que las limitaciones o exclusiones arriba mencionadas pueden no aplicarse en su caso.

Esta garantía se aplica sólo mientras este aparato se use en los Estados Unidos o en Canadá.

Esta garantía le otorga derechos legales específicos, y es posible que usted tenga también otros derechos, los cuales varían de un estado a otro.

**Sears Brands Management Corporation,
Hoffman Estates, IL 60179**

Sears Canada Inc., Toronto, Ontario, Canada M5B 2C3

SEGURIDAD DE LA LAVAVAJILLAS

Su seguridad y la seguridad de los demás es muy importante.

Hemos incluido muchos mensajes importantes de seguridad en este manual y en su electrodoméstico. Lea y obedezca siempre todos los mensajes de seguridad.



Este es el símbolo de advertencia de seguridad.

Este símbolo le llama la atención sobre peligros potenciales que pueden ocasionar la muerte o una lesión a usted y a los demás.

Todos los mensajes de seguridad irán a continuación del símbolo de advertencia de seguridad y de la palabra "PELIGRO" o "ADVERTENCIA". Estas palabras significan:

! PELIGRO

Si no sigue las instrucciones de inmediato, usted puede morir o sufrir una lesión grave.

! ADVERTENCIA

Si no sigue las instrucciones, usted puede morir o sufrir una lesión grave.

Todos los mensajes de seguridad le dirán el peligro potencial, le dirán cómo reducir las posibilidades de sufrir una lesión y lo que puede suceder si no se siguen las instrucciones.

INSTRUCCIONES IMPORTANTES DE SEGURIDAD

ADVERTENCIA: Cuando use la lavavajillas siga precauciones básicas, incluyendo las siguientes:

- Lea todas las instrucciones antes de usar la lavavajillas.
- Use la lavavajillas únicamente para las funciones que fue diseñada.
- Use únicamente detergentes o agentes de enjuague recomendados para ser usados en las lavavajillas y manténgalos fuera del alcance de los niños.
- Al introducir los artículos para lavar:
 - 1) Coloque los artículos puntiagudos de manera que no dañen el sello de la puerta
 - 2) Introduzca los cuchillos filosos con los mangos hacia arriba para reducir el riesgo de cortaduras.
- No lave artículos de plástico que no lleven la indicación "lavables en la lavavajillas" u otra similar. Lea las recomendaciones del fabricante para los artículos de plástico que no lleven tal indicación.
- No toque el elemento de calefacción durante o inmediatamente después de usar la lavavajillas.
- No haga funcionar la lavavajillas a menos que todos los paneles estén colocados debidamente en su lugar.
- No juegue con los controles.
- No abuse, ni se siente ni se pare sobre la puerta, la tapa o sobre las canastas de la lavavajillas.
- Para reducir el riesgo de lesión, no permita que los niños jueguen dentro ni sobre la lavavajillas.
- Bajo ciertas condiciones, un sistema de agua caliente que no ha sido usado por dos semanas o más puede producir gas hidrógeno. **EL GAS HIDRÓGENO ES EXPLOSIVO.** Si el sistema de agua caliente no ha sido usado por ese período, abra todas las llaves de agua caliente y deje que corra el agua por varios minutos antes de usar la lavavajillas. Esto permitirá que los gases acumulados escapen. Debido a que el gas es inflamable, no fume ni encienda ninguna llama cerca de la llave durante este tiempo.
- Quite la puerta o la tapa del compartimiento de lavado cuando remueva o deje de usar para siempre una vieja lavavajillas.

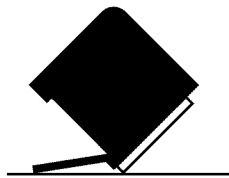
GUARDE ESTAS INSTRUCCIONES

Advertencias de la Proposición 65 del estado de California:

ADVERTENCIA: Este producto contiene una o más sustancias químicas identificadas por el estado de California como causantes de cáncer.

ADVERTENCIA: Este producto contiene una o más sustancias químicas identificadas por el estado de California como causantes de defectos congénitos o algún otro tipo de daños en la función reproductora.

⚠️ ADVERTENCIA



Peligro de Vuelco

No use la lavavajillas antes de estar completamente instalada.

No se apoye en la puerta abierta.

No seguir estas instrucciones puede ocasionar heridas serias o cortaduras.

⚠️ ADVERTENCIA



Peligro de Choque Eléctrico

Conecte a tierra la lavavajillas.

Conecte el alambre de conexión a tierra al conector verde de conexión a tierra en la caja de terminales.

No use un cable eléctrico de extensión.

No seguir estas instrucciones puede ocasionar la muerte, incendio o choque eléctrico.

- Instale su lavavajillas en un lugar protegido de las inclemencias del tiempo. Evite una posible ruptura de la válvula de llenado debida al congelamiento. Dichas roturas no están cubiertas por la garantía. Para obtener más información acerca de cómo almacenarla durante el invierno, vea la sección "Cómo guardar".
- Instale y nivele la lavavajillas en un piso que pueda soportar su peso y en un área adecuada para su tamaño y uso.
- Retire todos los tapones de las mangueras y los conectores (como la tapa en la salida de desagüe) antes de instalarla. Vea la información completa en las Instrucciones de instalación.

INSTRUCCIONES DE CONEXIÓN A TIERRA

■ **Para una lavavajillas con cable eléctrico y conexión a tierra:**

La lavavajillas debe estar conectada a tierra. En caso de funcionamiento defectuoso o avería, la conexión a tierra reduce el riesgo de choque eléctrico al establecer una ruta de menor resistencia para la corriente eléctrica. La lavavajillas viene equipada con un cable eléctrico que tiene un conductor para conexión a tierra y un enchufe con conexión a tierra. El enchufe debe ser conectado a un contacto apropiado que esté instalado y conectado a tierra de acuerdo con todos los códigos y ordenanzas locales.

ADVERTENCIA: La conexión inadecuada del conductor de conexión a tierra puede resultar en riesgo de choque eléctrico. Pregunte a un electricista calificado o a un agente de servicio si no está seguro si la lavavajillas está adecuadamente conectada a tierra. No modifique el enchufe que viene con la lavavajillas. Si no cabe en el contacto, pida que un electricista calificado instale un contacto apropiado.

■ **Para lavavajillas con conexión permanente:**

Esta lavavajillas debe estar conectada a un sistema de cableado de metal permanente, conectado a tierra, o se debe tender un conducto para la conexión a tierra del equipo con los conductores de circuito y conectado a la terminal de tierra del equipo o al conductor de suministro de la lavavajillas.

GUARDE ESTAS INSTRUCCIONES

QUÉ HAY DE NUEVO EN SU LAVAVAJILLAS

Energía

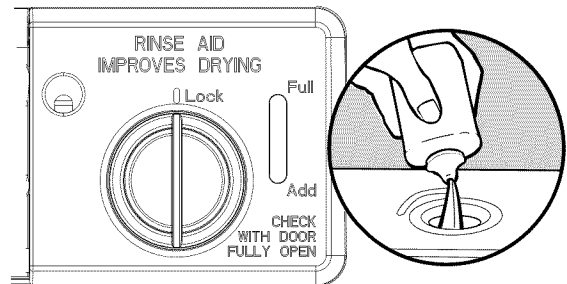
¡Felicitaciones por haber comprado la lavavajillas con bajo consumo de agua y energía! Esta lavavajillas limpia rociando la vajilla con agua y hace pausas para permitir que el detergente remoje la vajilla y afloje la suciedad de los platos. Para obtener una limpieza excepcional, los ciclos se hacen más largos debido al remojo y las pausas. Los modelos con SmartWash^{®HE} tienen un sensor óptico de agua. El sensor óptico de agua se usa para determinar el consumo óptimo de agua y energía para un desempeño de limpieza ideal. El primer ciclo con sensor durará más tiempo para calibrar el sensor óptico.



Desempeño

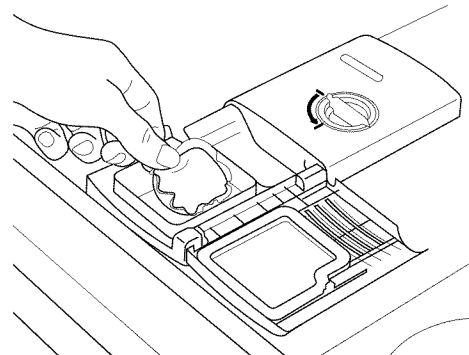
Agente de enjuague

El uso del agente de enjuague hará óptimo el desempeño de lavado y secado. Esta lavavajillas ha sido diseñada específicamente para usarse en conjunción con agente de enjuague, para obtener un mejor desempeño de secado y controlar la acumulación de depósitos de agua dura. Las lavavajillas con bajo consumo de energía usan menos agua y energía, de modo que dependen de la acción de desplazamiento del agua por obra del agente de enjuague para asegurar un óptimo desempeño.



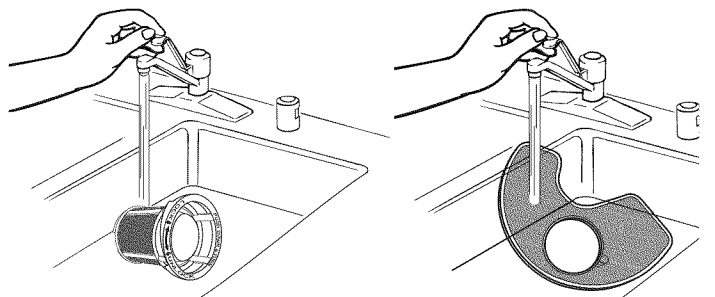
Detergente

Estados Unidos ha aprobado una restricción que limita la cantidad de fósforo (fosfatos) en los detergentes para lavavajillas domésticas a no más de 0,5 %, mientras que los detergentes previos contenían 8,7 %. Los principales fabricantes de detergente han reformulado su detergente para lavavajillas de acuerdo a este cambio, un paso más en la conciencia ecológica. Con estos cambios recientes, se recomienda usar pastillas y paquetes por conveniencia y para mejorar el desempeño.

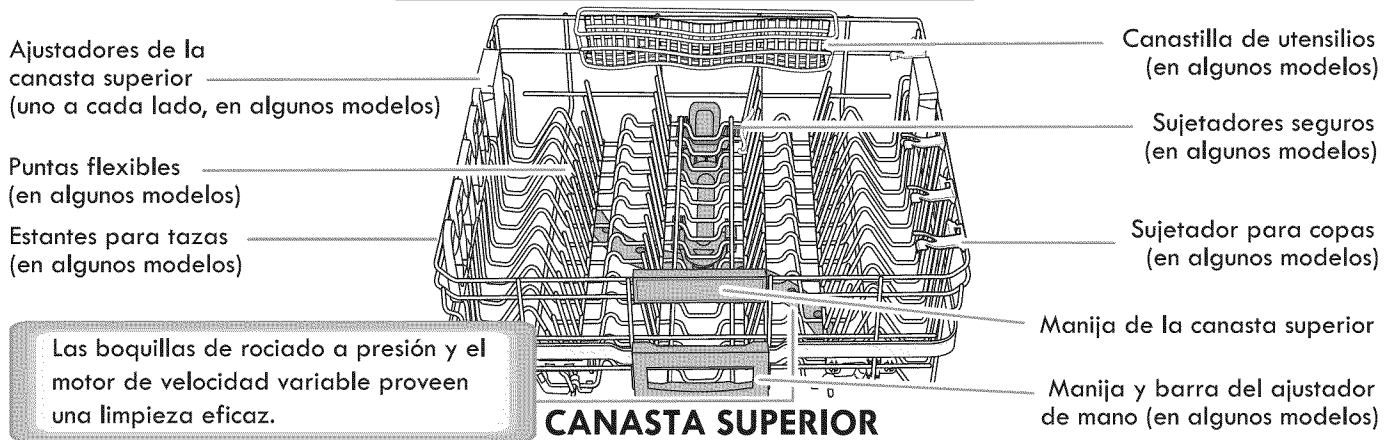
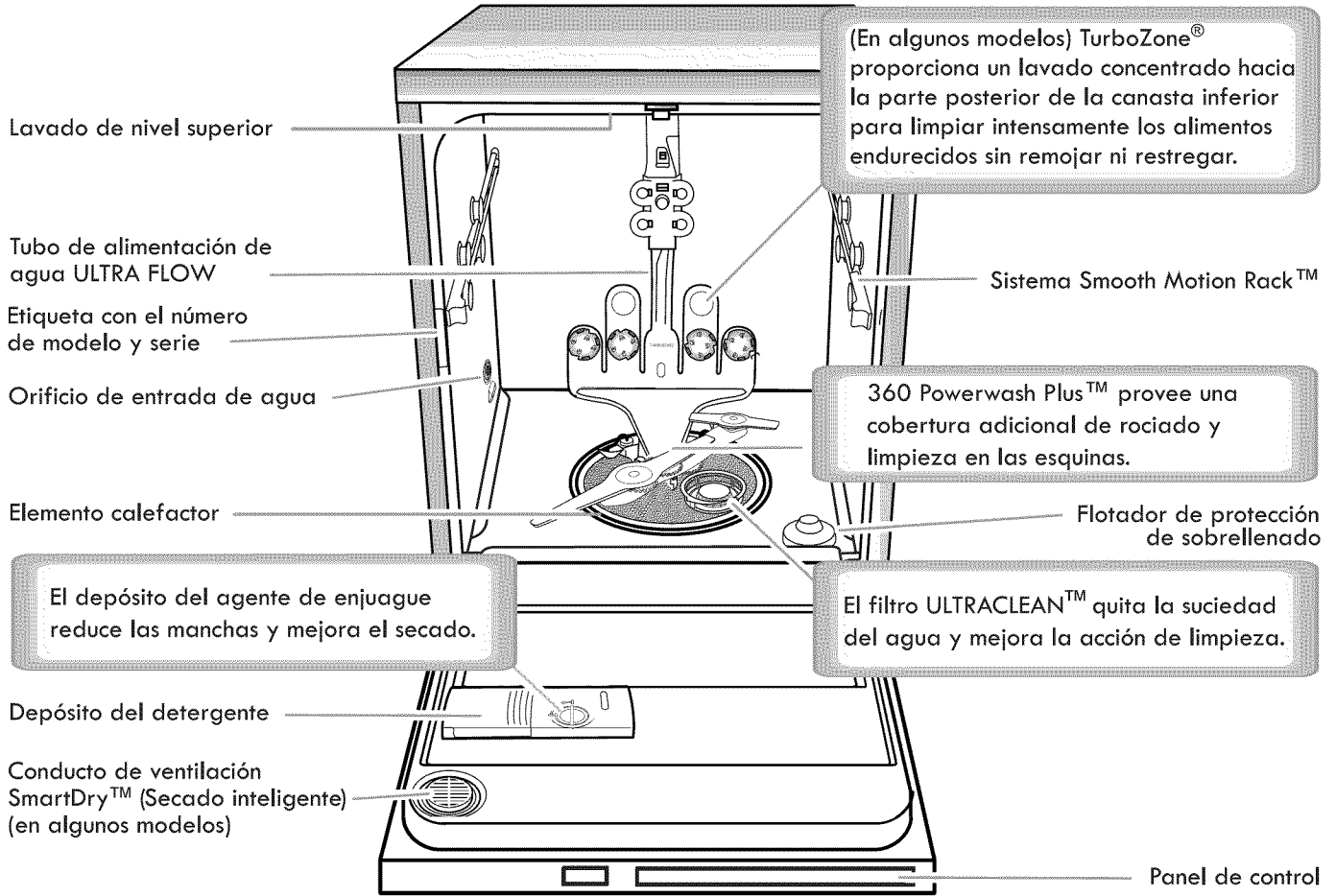


Sistema de filtración

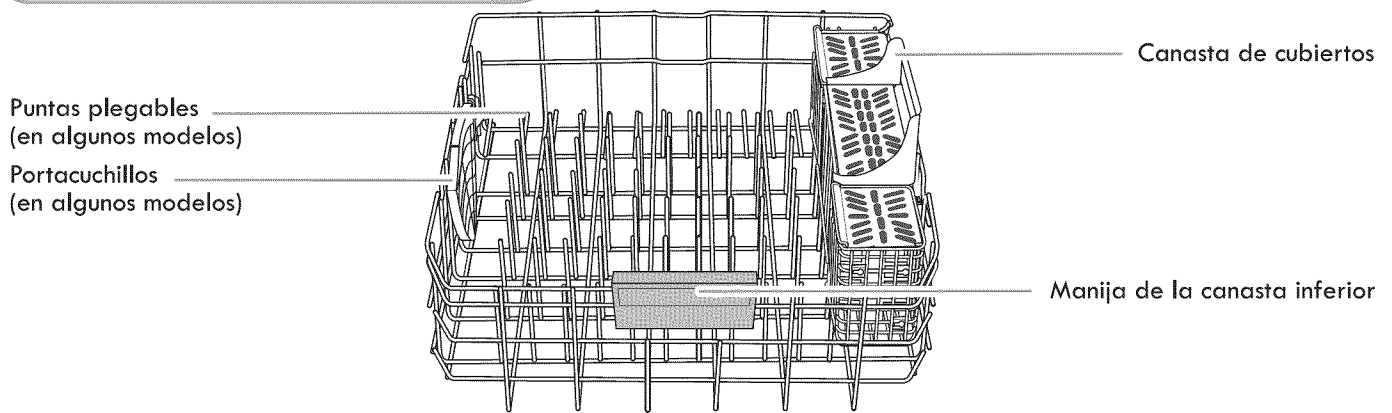
Su lavavajillas cuenta con lo último en tecnología de filtración para lavavajillas. Este sistema de filtración triple minimiza los sonidos y optimiza el ahorro de agua y energía mientras proporciona una limpieza óptima. El mantenimiento periódico de los filtros traerá como resultado un rendimiento máximo de limpieza. Le sugerimos limpiar los filtros superior e inferior y enjuagarlos bajo agua del grifo por lo menos una vez al mes.



PIEZAS Y CARACTERÍSTICAS



CANASTA SUPERIOR



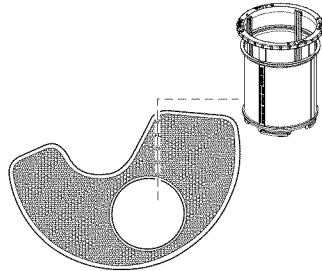
CANASTA INFERIOR

PUESTA EN MARCHA/REFERENCIA RÁPIDA (VARÍA SEGÚN EL MODELO)

Los filtros desmontables ULTRACLEAN™ proporcionan un rendimiento óptimo.

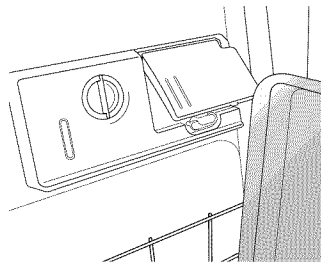
El limpiar los filtros periódicamente permite que la lavavajillas funcione con un rendimiento óptimo. Los filtros se encuentran en la parte central inferior de la lavavajillas.

Vea "SISTEMA DE FILTRACIÓN ULTRACLEAN™" para obtener información acerca de la remoción y el mantenimiento de los filtros.



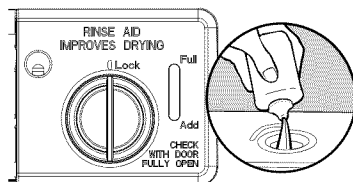
IMPORTANTE: No bloquee el depósito del detergente.

Los artículos altos pueden bloquear la puerta del depósito si los coloca en la canasta inferior. Los moldes para galletas y las tablas para cortar pueden bloquear fácilmente el depósito si los coloca en la parte izquierda de la lavavajillas. Si después de finalizado un ciclo hay detergente dentro del depósito o en el fondo de la tina, el depósito quedó bloqueado.



Secado - el agente de enjuague es fundamental.

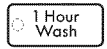
Deberá usar un agente de secado, como puede ser un agente de enjuague, para un buen rendimiento de secado (se incluye una muestra). El agente de enjuague junto con la opción de SmartDry™ (Secado inteligente) le proporcionarán el mejor secado y evitarán que se forme humedad excesiva en el interior de la lavavajillas.



Smart Dry

1 Hour Wash (Lavado de 1 hora) – cuando necesita resultados rápidos.

Las lavavajillas de alto rendimiento funcionan por más tiempo para ahorrar agua y energía, de la misma manera que se ahorra gasolina cuando se conduce un automóvil despacio. Cuando necesite resultados rápidos, el Lavado de 1 hora limpiará su vajilla usando un poco más de agua y energía. Para mejorar el secado, seleccione la opción de SmartDry™ (Secado inteligente) para agregar más tiempo al secado.



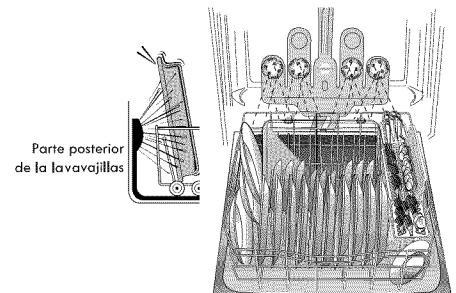
Ciclo SmartWash® HE

El ciclo SmartWash® HE provee resultados óptimos usando sólo la cantidad de agua y energía necesaria. Se recomiendan los ciclos de SmartWash® HE y Pots & Pans (Ollas y cacerolas) para la suciedad rebelde.

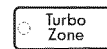


Cómo cargar en TURBOZONE™ (en algunos modelos)

Cuando se selecciona la opción TURBOZONE™, se proporciona un lavado concentrado hacia la parte posterior de la canasta inferior para la vajilla que sea difícil de lavar. Coloque estos platos con la superficie sucia hacia las boquillas de rociado TURBOZONE™, que están en la canasta inferior de la lavavajillas.



Parte posterior de la lavavajillas



Presione START (Inicio) cada vez que agregue un plato.

Para comenzar y reanudar un ciclo, presione START (Inicio) y cierre la puerta en menos de 3 segundos. Si la puerta no se ha cerrado en menos de 3 segundos, el LED del botón de inicio destellará y el ciclo no comenzará.

IMPORTANTE: Si alguien abre la puerta (como puede ser para agregar un plato – aun durante la opción de Delay Hours – Horas de retraso), deberá presionarse el botón de START (Inicio) cada vez y cerrar la puerta en menos de 3 segundos para reanudar el ciclo.



Dosificación del detergente

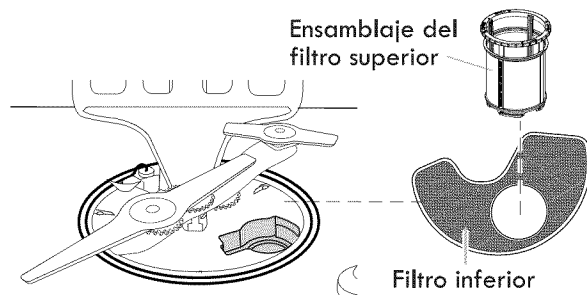
Es posible usar demasiado detergente en su lavavajillas. Esto puede ocasionar corrosión en los platos. Vea “Detergente y agente de enjuague” para determinar la cantidad de detergente necesario según la dureza del agua. Está comprobado que las pastillas y los paquetes de detergente para lavavajillas son más eficaces que los detergentes en polvo, líquidos o en gel, para reducir las películas de residuos en la vajilla.

SISTEMA DE FILTRACIÓN ULTRACLEAN™

Su lavavajillas tiene la última tecnología en sistemas de filtración. El sistema de filtración triple minimiza los sonidos y optimiza el consumo de agua y energía, mientras proporciona una limpieza superior. Durante la vida útil de su lavavajillas, el filtro necesitará mantenimiento para conservar el rendimiento óptimo de limpieza.

El sistema de tres filtros consiste de 2 piezas, un ensamblaje de filtro superior y un filtro inferior.

- El ensamblaje de filtro superior mantiene los artículos muy grandes y los objetos extraños, junto con las partículas muy pequeñas de comida, fuera de la bomba.
- El filtro inferior evita que la comida recircule en su lavavajillas.



Para proveer un desempeño óptimo de limpieza, sugerimos un mantenimiento mensual del filtro, removiendo e inspeccionando los filtros superior e inferior para ver si están sucios. Según sus hábitos con la lavavajillas, deberá limpiar los filtros con más o menos frecuencia que lo indicado en la tabla a continuación.

Es posible que sea necesario limpiar los filtros cuando:

- Haya objetos visibles o suciedad en el ensamblaje del filtro superior.
- Baje la calidad del rendimiento de limpieza (es decir, que los platos sigan sucios).
- Los platos se sienten arenosos al tacto.

Es muy fácil quitar y mantener los filtros. La tabla siguiente muestra la frecuencia recomendada de limpieza.

Intervalos recomendados para la limpieza del filtro.

Cantidad de cargas por semana	Si usted lava antes de cargar	Si usted raspa la comida y enjuaga antes de cargar	Si solamente raspa la comida antes de cargar*	Si no raspa la comida ni enjuaga antes de cargar
8-12	Una vez por año	Cada cuatro meses	Cada dos meses	Cada dos semanas
4-7	Una vez por año	Una vez por año	Cada cuatro meses	Una vez por mes
1-3	Una vez por año	Una vez por año	Dos veces por año	Cada dos meses

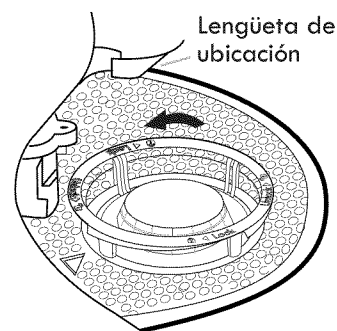
*Recomendación del fabricante: Esta práctica eliminará el agua y la energía que usted usa para preparar la vajilla. También, le permitirá ahorrar tiempo y esfuerzo.

Agua muy dura

Si tiene agua dura (más de 15 granos), limpie el filtro al menos una vez por mes. La acumulación de residuos blancos en las superficies de la lavavajillas indican que el agua es dura. Puede traer sus muestras de agua a Sears para verificar el nivel de dureza. Vea la sección "Solución de problemas" para consultar los consejos para quitar las manchas.

Instrucciones para quitar el filtro

1. Gire el ensamblaje del filtro superior ¼ de vuelta hacia la izquierda, levante y sáquelo.
2. Agarre el filtro inferior en la abertura circular, levántelo levemente y jale hacia adelante para quitarlo.
3. Limpie los filtros como se muestra en la siguiente página.

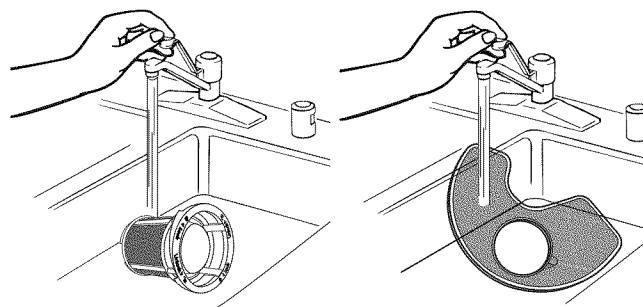


Para quitar el ensamblaje del filtro superior

Instrucciones de limpieza

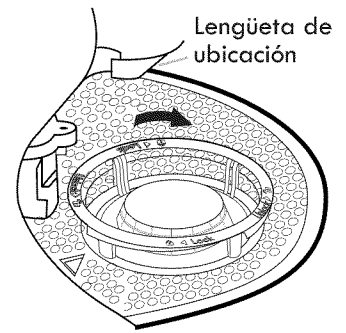
IMPORTANTE: No use un cepillo de alambre, estropajo, etc. ya que pueden dañar los filtros.

Enjuague el filtro debajo del agua corriente hasta haber quitado la mayor parte de la suciedad. En caso de suciedad difícil de sacar o de depósitos de calcio a causa del agua dura, es posible que deba usar un cepillo suave.



Instrucciones para reinstalar los filtros

1. Consulte las ilustraciones anteriores y coloque el filtro inferior debajo de las lengüetas de ubicación en el fondo de la lavavajillas para que la abertura redonda para el ensamblaje del filtro superior esté alineada con la abertura redonda en el fondo de la tina.
2. Inserte el ensamblaje del filtro superior dentro de la abertura circular en el filtro inferior.
3. Rote lentamente el filtro hacia la derecha hasta que caiga en su lugar. Siga rotando hasta que el filtro esté bloqueado en su lugar. Si el filtro no encaja completamente (sigue girando libremente), continúe girando el filtro hacia la derecha hasta que caiga y quede trabado en su lugar.



Para volver a colocar el ensamblaje del filtro superior

IMPORTANTE: Para evitar dañar la lavavajillas, no la ponga en marcha sin que los filtros ULTRACLEAN™ estén adecuadamente instalados. Asegúrese de que el filtro inferior esté seguro en su lugar y que el ensamblaje del filtro superior esté trabado en su lugar. Si el ensamblaje del filtro superior gira libremente, no está trabado en su lugar.

360 POWERWASH PLUS™

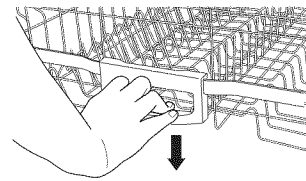
El sistema 360 Powerwash Plus™ ofrece una tecnología de limpieza avanzada que brinda cobertura de agua óptima. Esta tecnología le permite a los brazos rociadores que giren en ambas direcciones, mientras detecta si hay artículos obstruyendo el brazo rociador. Cuando los brazos rociadores estén obstruidos, el sistema detectará y forzará el brazo rociador para rotar en la dirección opuesta, lo que permite que complete la cobertura de la carga de la lavavajillas.

AJUSTADOR DE MANO

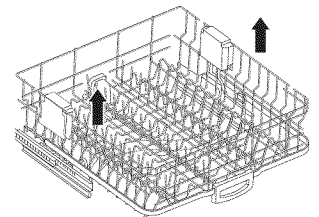
Para ajustar la altura de la canasta superior con el ajustador de mano:

1. Jale la canasta superior hasta que salga de la lavavajillas. Asegúrese de que la canasta inferior se empuje completamente hacia dentro de la lavavajillas.
2. Presione la manija hacia abajo hasta que se detenga. Escuchará dos chasquidos. Esto asegura que ambos lados de la canasta estén asegurados.
3. Suelte la manija.
4. Para ajustar de nuevo la altura de la canasta superior, repita los pasos 1 - 3.

Nota: Si un lado de la canasta está inclinado hacia abajo, levante la canasta del lado inclinado. Escuchará un chasquido cuando la canasta vuelva a estar nivelada.



Ajustar la altura de la canasta



Nivelar la canasta

CONSEJOS PARA LA EFICIENCIA DE LA LAVAVAJILLAS

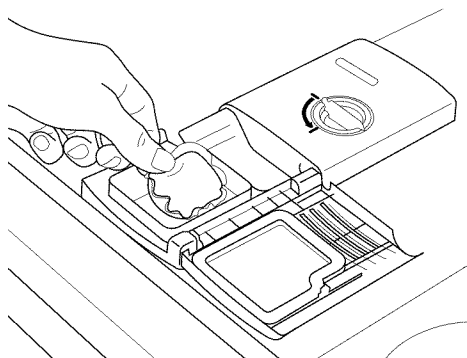
El agua caliente disuelve y activa el detergente para lavavajillas. El agua caliente también disuelve la grasa en los platos y ayuda a los vasos a secarse sin manchas. Para obtener los mejores resultados de lavado, el agua debe estar por lo menos a 120 °F (49 °C) cuando entra en la lavavajillas. Si la temperatura del agua está muy baja, los platos podrían quedar menos limpios.

Consejos adicionales para el rendimiento

- Para ahorrar agua, energía y tiempo, sólo raspe los platos. No enjuague los platos antes de ponerlos en la lavavajillas.
- Use una función de retraso para poner la lavavajillas en funcionamiento en horas no pico. Las empresas proveedoras de servicios públicos locales recomiendan que se evite un alto consumo de energía a determinadas horas del día.
- Durante el verano, ponga a funcionar su lavavajillas por la noche. Esto reduce la acumulación de calor en la cocina durante el día.
- Use un agente de enjuague para mejorar el secado.

DETERGENTE Y AGENTE DE ENJUAGUE

Detergente



NOTA: Si no va a hacer funcionar un ciclo de lavado de inmediato, ponga un ciclo de enjuague. No use detergente.

- Use únicamente detergentes para lavavajillas automáticas. Agregue detergente en polvo, líquido o en pastilla justo antes de comenzar un ciclo.
- El detergente para lavavajillas automáticas produce mejores resultados cuando está fresco. Guarde el detergente bien cerrado en un lugar fresco y seco.

Detergentes previamente medidos

Varios detergentes vienen ahora en formatos previamente medidos (paquetes con gel, tabletas o paquetes con polvo). Estos formatos son apropiados para todos los niveles de dureza y suciedad. Coloque siempre los detergentes previamente medidos en la taza principal y cierre la tapa.

Está comprobado que las pastillas y los paquetes de detergente para lavavajillas son más eficaces que los detergentes en polvo, líquidos o en gel, para reducir las películas de residuos en la vajilla. Al usar pastillas y paquetes, con el tiempo las películas blancas comenzarán a reducirse o a eliminarse. Por otro lado, al usar un agente de enjuague puede minimizar la acumulación de películas blancas.

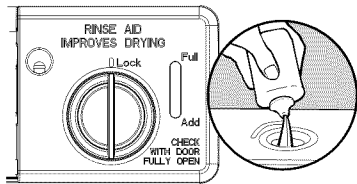
Polvos y geles

Dureza del agua	Nivel de suciedad	Compartimiento de prelavado	Compartimiento de lavado principal
Suave (0 a 4 granos por galón de EE.UU.)	Ligero	Ninguno	1/2
	Normal	Ninguno	1/2
	Intenso	Lleno	1/2
Medio (5 a 9 granos por galón de EE.UU.)	Ligero	Ninguno	1/2
	Normal	1/2	1/2
	Intenso	Lleno*	Lleno*
Dura (10 a 14 granos por galón de EE.UU.)	Ligero	1/2	Lleno*
	Normal	Lleno*	Lleno*
	Intenso	Lleno*	Lleno*

*El compartimiento lleno para el prelavado contiene 7 ctas (35 mL) y el compartimiento lleno para el lavado principal contiene 9 ctas (45 mL).

IMPORTANTE: Los residuos minerales del agua extremadamente dura (15 granos por galón de EE.UU. o más) pueden causar daños en su lavavajillas y hacer difícil que se obtenga una buena limpieza. Se recomienda utilizar un ablandador de agua para evitar daños y obtener buenos resultados. Puede traer sus muestras de agua a Sears para verificar el nivel de dureza.

Agente de enjuague



IMPORTANTE: Su lavavajillas está diseñada para usar un agente de enjuague líquido. El uso de agentes de enjuague mejora mucho el secado al permitir que el agua escurra de la vajilla después del último enjuague. También, evita que el agua forme gotitas que al secarse quedan como manchas o rayas.

Cómo llenar el depósito

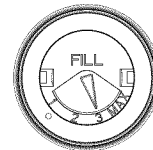
El depósito tiene una capacidad de 5 onzas (150 mL) de agente de enjuague. En condiciones usuales, esta cantidad durará de uno a tres meses.

1. Gire la perilla hacia la posición de REFILL (Volver a llenar) y retírela.
2. Vierta el agente de enjuague en la abertura hasta que el indicador esté en la posición FULL (Lleno). No sobrellene.
3. Limpie todo el agente de enjuague derramado. El agente de enjuague que se derrama puede crear espuma en exceso.
4. Vuelva a colocar la perilla y gírela hacia la posición de LOCK (Bloqueo).

NOTA: El indicador mostrará el nivel de llenado correcto cuando se abra completamente la puerta.

Ajuste de nivel del agente de enjuague

El depósito del agente de enjuague es regulable. Para casi todos los tipos de agua, la selección de fábrica dará buenos resultados. Si usted tiene agua dura y nota que se acumula calcio en la vajilla, tal vez desee probar con un ajuste más alto. Si nota espuma en la lavavajillas, utilice un ajuste más bajo.



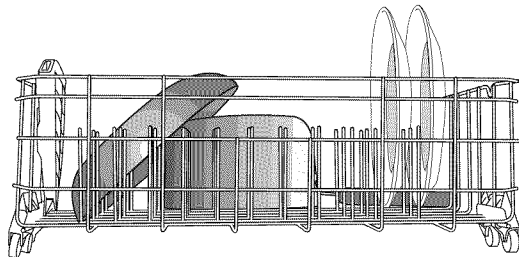
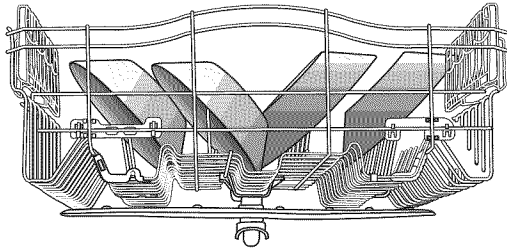
Para regular el ajuste

1. Gire la perilla hacia la posición de REFILL (Volver a llenar) y retírela.
2. Gire la flecha que se encuentra dentro del depósito hacia el ajuste deseado.
3. Vuelva a colocar la perilla y gírela hacia la posición de LOCK (Bloqueo).

CÓMO CARGAR

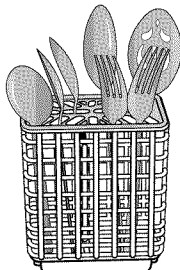
Cómo cargar para mejorar el rendimiento de limpieza y secado

1. Coloque en ángulo hacia abajo las superficies más sucias de los platos, y deje espacio para que el agua fluya a través de cada canasta y entre la vajilla.



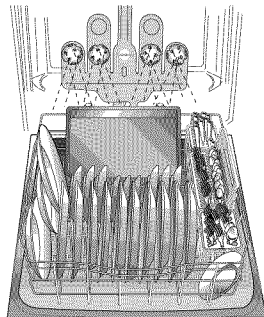
Dejar un espacio permite que el agua fluya.

2. Para obtener la mejor limpieza de los cubiertos, utilice las ranuras en las tapas para mantener los artículos separados.



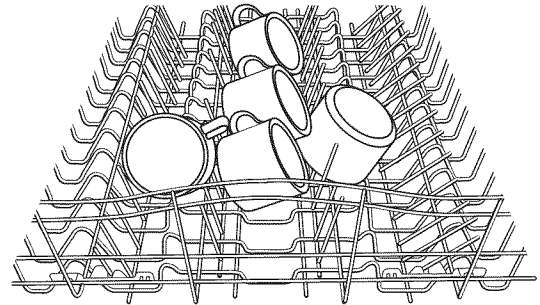
Separados

3. Utilice la opción TURBOZONE® (en algunos modelos) con los artículos más sucios mirando hacia la parte posterior inferior.



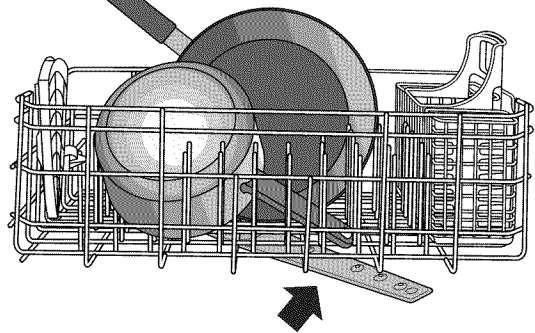
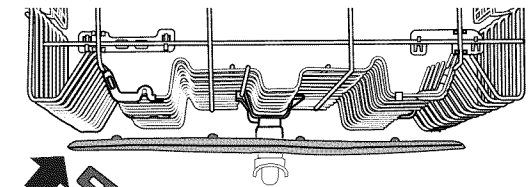
Suciedad mirando hacia los surtidores de rociado TURBOZONE®

4. Coloque en ángulo las superficies cóncavas, tales como la base de las tazas de café, para permitir que el agua se drene y así mejorar el rendimiento del secado.

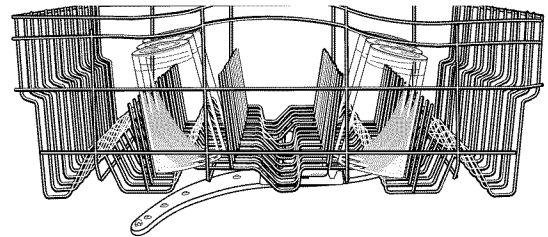


Superficies inclinadas

5. Revise que el brazo de rociado superior gire libremente antes de cada ciclo. Asegure que nada esté bloqueando el brazo de rociado inferior.



6. Coloque las tazas y los vasos en las filas entre las puntas.

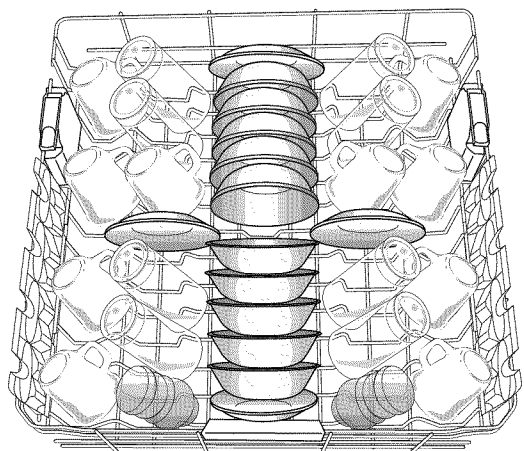


Cómo cargar la canasta superior

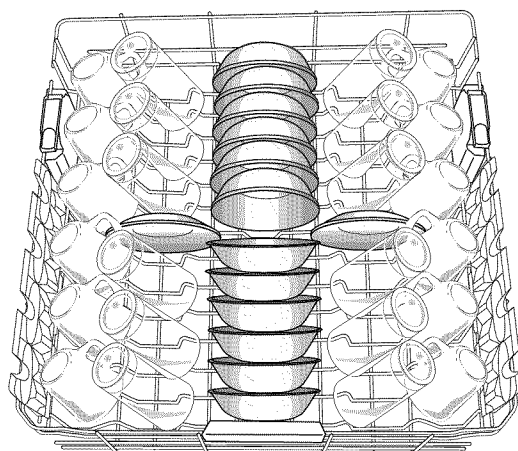
Recomendaciones para cargar

Coloque las tazas y los vasos en las filas entre las puntas. Si los coloca sobre las puntas pueden romperse o terminar con manchas de agua. Para evitar que se dañen sus artículos delicados, asegúrese de que la porcelana, cristalería y otros objetos similares no se toquen durante el funcionamiento de la lavavajillas.

Coloque los objetos livianos y de plástico aptos para lavavajillas sólo en la canasta superior.



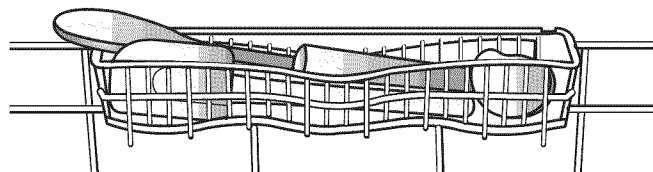
Carga para 10 puestos



Carga para 12 puestos

Canastilla de utensilios (en algunos modelos)

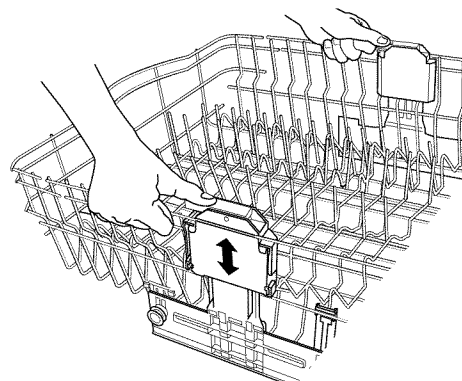
Use esta canastilla con capacidad adicional en la parte posterior de la canasta superior para colocar espátulas, cucharas para servir y artículos similares. La canastilla de utensilios puede quitarse para tener capacidad adicional en la canasta, liberando los sujetadores enganchados a la misma.



Canasta de lujo ajustable en 2 posiciones (en algunos modelos)

Usted puede subir o bajar la canasta superior para acomodar artículos más altos tanto en la canasta superior como en la inferior. Los ajustadores se encuentran a cada lado de la canasta superior. Levante la canasta superior para acomodar artículos de hasta 9" (22 cm) en la canasta superior y de hasta 13" (33 cm) en la canasta inferior; o baje la canasta superior para acomodar artículos de hasta 11" (28 cm) de altura en ambas canastas.

1. Para levantar, levante la canasta hasta que ambos lados estén a la misma altura y asegúrela.
2. Para bajar, presione ambas lengüetas en el ajuste de la canasta, como se muestra, y baje.

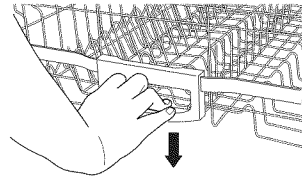


Ajustador de mano

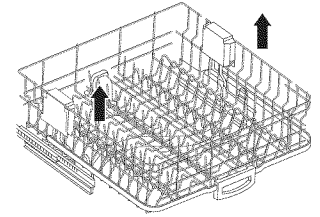
Para ajustar la altura de la canasta superior con el ajustador de mano:

1. Jale la canasta superior hasta que salga de la lavavajillas. Asegúrese de que la canasta inferior se empuje completamente hacia dentro de la lavavajillas.
2. Presione la manija hacia abajo hasta que se detenga. Escuchará dos chasquidos. Esto garantiza que ambos lados de la canasta estén asegurados.
3. Suelte la manija.
4. Para ajustar de nuevo la altura de la canasta superior, repita los pasos 1 - 3.

Nota: Si un lado de la canasta está inclinado hacia abajo, levante la canasta del lado inclinado. Escuchará un chasquido cuando la canasta vuelva a estar nivelada.



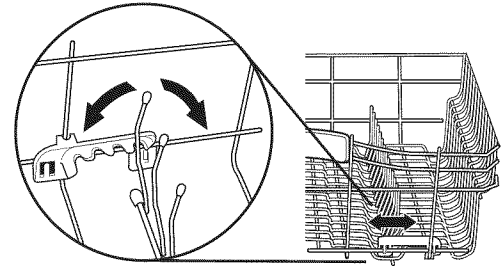
Ajustar la altura de la canasta



Nivelar la canasta

Puntas flexibles

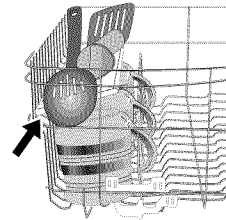
La hilera de puntas a los lados izquierdo y derecho de la canasta superior se puede ajustar para acomodar diversos tamaños de platos.



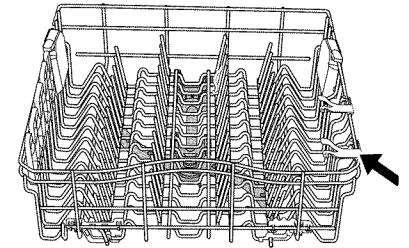
Estantes para tazas y sujetadores de cristalería (en algunos modelos)

Baje el estante adicional a cada lado de la canasta superior para sostener más tazas, cristalería o artículos largos, como utensilios y espátulas.

Utilice los sujetadores para cristalería para sujetar las copas de cristal de forma más segura.



Estantes para tazas



Sujetadores de cristalería

Canasta superior removible (Smooth Motion Rack™)

La canasta superior removible le permite lavar objetos más grandes, tales como ollas, charolas para asar y moldes para galletas en la canasta inferior.

IMPORTANTE: Quite los platos antes de quitar la canasta superior de la lavavajillas.

Para quitar la canasta:

Para lograr acceso a las lengüetas removibles en las guías/los rieles, jale la canasta superior hacia adelante hasta que la mitad esté fuera de la tina.

En un lado, presione la lengüeta en la guía y jale hacia arriba el extremo frontal de la canasta fuera de la guía. Luego repita este paso en el otro lado para quitar por completo el extremo frontal de la canasta.

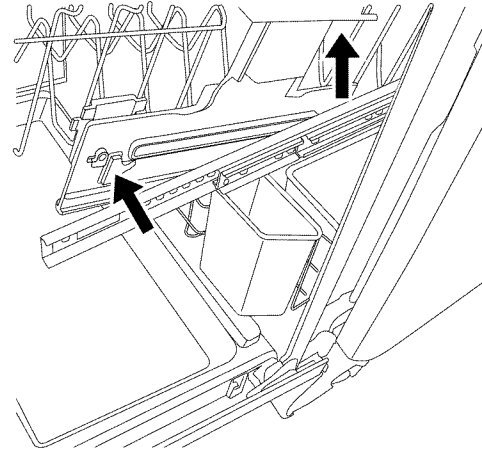
Luego quite el extremo posterior de la canasta, jalando el extremo posterior hacia fuera, jalando ligeramente hacia adelante y luego hacia arriba.

Para volver a colocar la canasta:

Jale las guías hacia delante, hasta que la mitad quede fuera de la tina aproximadamente.

A lo largo de los lados de las canastas, hay lengüetas de sujeción redondas. Alinee las lengüetas de sujeción del extremo posterior de la canasta con el área de corte de la guía. Presione hacia abajo para encajarlo en su lugar.

Jale las guías completamente hacia fuera, y alinee las lengüetas de sujeción del extremo frontal de la canasta con el área de corte en la guía. Presione hacia abajo para encajarlo en su lugar. Escuchará un chasquido cuando el extremo frontal de la canasta quede asegurado en su lugar en cada lado.



Remoción

Cómo cargar la canasta inferior

Recomendaciones para cargar

La canasta inferior es más apropiada para platos, ollas, cacerolas y utensilios. Consultar los modelos de carga recomendados que se muestran.

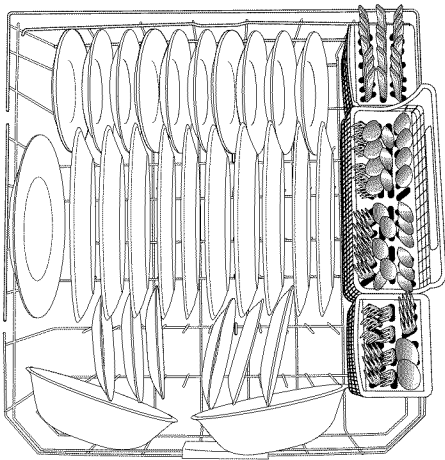
Coloque los artículos pequeños en la canasta inferior únicamente si están seguros en su lugar.

Coloque los platos, tazones de sopa, etc., entre las puntas.

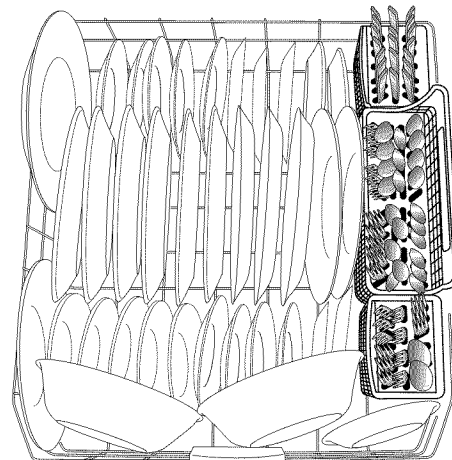
Coloque los tazones firmemente entre las hileras de puntas. Asegúrese de que haya suficiente espacio entre los platos para que el rociador pueda alcanzar todas las superficies.

Cargue los artículos con suciedad profunda mirando hacia el rociador.

NOTA: Asegúrese de que el depósito de detergente no esté bloqueado por artículos altos, tales como charolas para galletas y tablas para cortar colocadas en el lado izquierdo del frente de la canasta. Consulte la sección "Puesta en marcha/Referencia rápida".



Carga para 10 puestos



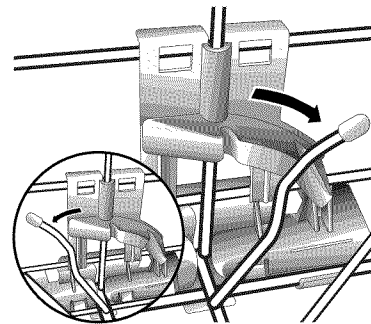
Carga para 12 puestos

Puntas plegables (en algunos modelos)

Usted puede plegar una hilera de puntas en la parte posterior de la canasta inferior para hacer lugar para la vajilla más grande.

Mantenga esta hilera de puntas en la posición a 60° cuando utilice la opción TURBOZONE® (en algunos modelos).

IMPORTANTE: Cuando mueva la hilera de puntas hacia la posición plana, pliegue solamente la hilera de puntas hacia el frente de la lavavajillas.



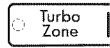
Carga para TURBOZONE® (en algunos modelos)

IMPORTANTE: Para un funcionamiento adecuado, solamente una hilera de artículos puede mirar hacia los surtidores de rociado TURBOZONE®.

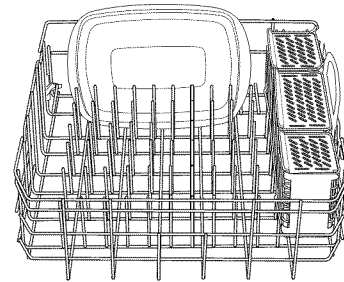
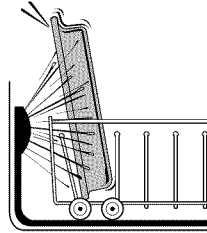
Debe seleccionar la opción de lavado TURBOZONE® para utilizar esta característica.

Cargue sartenes, cacerolas, etc. con las superficies sucias mirando hacia los surtidores de rociado TURBOZONE®. El área de lavado TURBOZONE® está ubicada en la parte posterior de la canasta inferior.

Coloque la hilera de puntas plegables en la posición a 60° cuando utilice la opción TurboZone® (en algunos modelos).



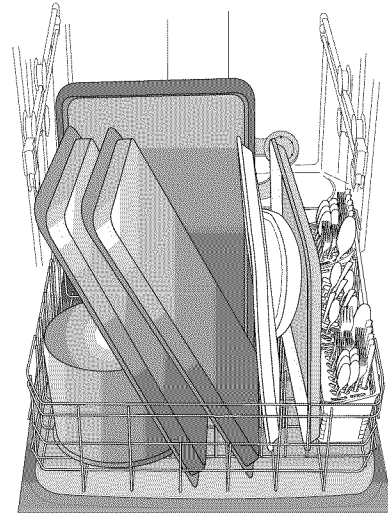
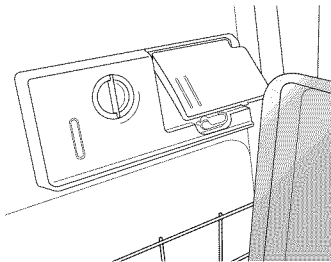
Parte posterior
de la lavavajillas



Cómo cargar los artículos altos

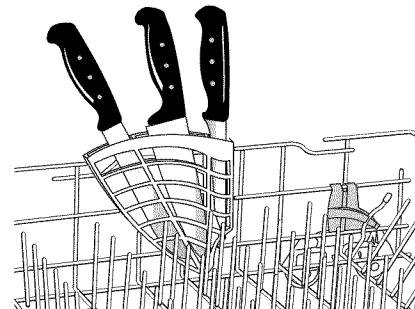
Usted puede lavar artículos más grandes, tales como ollas, asadores y charolas para galletas en la canasta inferior, sacando la canasta superior. Consulte la sección "Cómo cargar la canasta superior".

IMPORTANTE: No bloquee el depósito del detergente.



Portacuchillos (en algunos modelos)

Para cargar cuchillos que son muy grandes para la canastilla de los cubiertos, use el portacuchillos que está ubicado en el lado izquierdo de la canasta inferior. Coloque los cuchillos en el portacuchillos como se muestra.

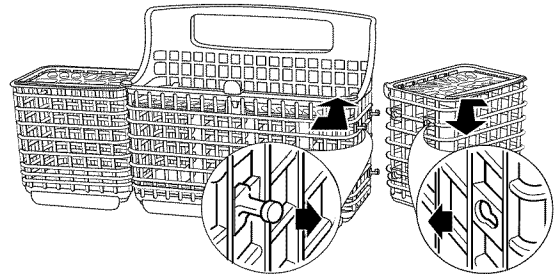


Canastilla separable de los cubiertos (en algunos modelos)

Su nueva canastilla para cubiertos puede separarse en tres segmentos.

Si quita una sección, aumentará la capacidad para cargar en el área de TurboZone® (en algunos modelos).

Puede quitar las canastillas laterales cubiertas y colocarlas en la canasta superior. Úsela para los artículos delicados pequeños, tales como tapas de biberones, tetinas, utensilios para hornear pequeños, etc.

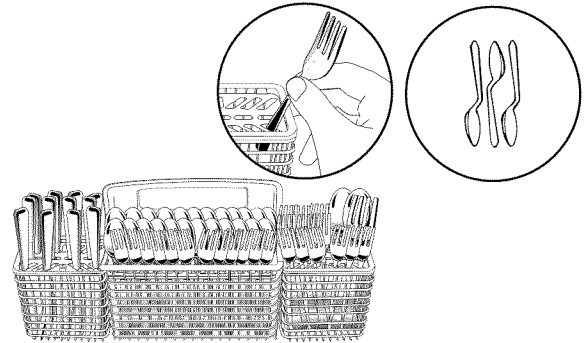


Cómo cargar los cubiertos

Siga los modelos de carga sugeridos, según se muestra, para limpiar mejor los cubiertos.

Para obtener el mejor lavado, utilice las ranuras en las tapas para mantener los cubiertos separados. Consulte la ilustración a la derecha.

NOTA: Si los cubiertos no caben en las ranuras designadas, dé vuelta las tapas y mezcle los tipos de cubiertos para mantenerlos separados. Coloque los cuchillos hacia abajo, los tenedores hacia arriba y alterne las cucharas, como se muestra en la imagen, para obtener los mejores resultados en la limpieza.



USO DE LA LAVAVAJILLAS

Información acerca de los ciclos y las opciones (en algunos modelos)



Ciclos	Nivel de suciedad	Tiempo* (min.) sin opciones		Consumo de agua Galones (Litros)
		Típico**	Máx.	
Ciclo SmartWash®^{HE} El ciclo más avanzado y versátil. Este ciclo detecta el tamaño de la carga, la cantidad de suciedad y su resistencia. Este ciclo ha sido optimizado para alcanzar una limpieza excepcional con una mínima cantidad de agua y consumo de energía.	Ligera a media	110	150	4,0 (15,0)
	Rebelde/ Endurecida por el horneado	125	190	5,0 (19,0)
	Intensa	125	190	7,7 (29,0)
Pots & Pans (Ollas y cacerolas) Funciona mejor con los artículos más difíciles, como cacerolas con restos de alimentos endurecidos a causa del horneado. Utilícelo con la opción TURBOZONE® (en algunos modelos) para obtener la mejor limpieza de la suciedad endurecida por el horneado.	Intensa/Endurecida por el horneado	140	205	8,2 (31,0)
Lavado normal Se recomienda este ciclo para lavar por completo una carga llena de vajilla con suciedad normal. La etiqueta de energía se basa en este ciclo.	Ligera a media	110	150	2,8-4,0 (10,5-15,0)
	Intensa	125	190	7,7 (29,0)
China Gentle (Porcelana) (en algunos modelos) Proporciona un lavado ligero y un secado suave para los artículos delicados, como pueden ser la porcelana y el cristal.	Ligera a media	105	145	2,8-4,0 (10,5-15,0)
	Intensa	120	185	7,7 (29,0)
Quick Rinse (Enjuague rápido) Use este ciclo para enjuagar platos, vasos y cubiertos que no vayan a lavarse de inmediato. No use detergente.	Todos los niveles de suciedad	17	20	2,1 (8,0)
1 Hour Wash (Lavado de 1 hora) Para ahorrar agua y energía, las lavavajillas de alto rendimiento usan una filtración avanzada que puede aumentar la duración de los ciclos (en algunos casos, hasta más de 2 horas). Cuando necesita resultados rápidos, el ciclo 1 Hour Wash (Lavado de 1 hora) limpiará la vajilla usando un poco más de agua y energía. Para un mejor secado, seleccione la opción SmartDry™ (Secado inteligente). 1 Hour Wash (Lavado de 1 hora) está optimizado y no se necesitan opciones.	Todos los niveles de suciedad	58	64	6,2 (23,5)

*Algunas opciones agregarán tiempo al ciclo. Consulte la sección de información sobre las opciones.

**Este es el tiempo aproximado del ciclo que se obtiene con agua caliente a 120 °F (49 °C) entrando en la lavavajillas. La baja temperatura del agua entrante genera un aumento del tiempo.

Opciones	Puede seleccionarse con	Lo que hace	Tiempo adicional del ciclo		Agua adicional [†] en galones (Litros)
			Típico	Máx.	
<p>Opción TURBOZONE® (en algunos modelos)</p> <p>Emite chorros a cada rincón para eliminar la necesidad de remojar y refregar los platos sucios y con comida endurecida a causa del horneado. Para sus artículos más difíciles, use la opción TURBOZONE® con el ciclo Pots & Pans (Ollas y cacerolas). Consulte la información sobre cómo cargar.</p>	<p>SmartWash®^{HE} Pots & Pans (Ollas y cacerolas) Normal Wash (Lavado normal)</p>	<p>Concentra todo el poder de lavado de la lavavajillas en el área de TURBOZONE® durante ciertos momentos del ciclo de lavado.</p>	53	73	0 - 3,0 (0 - 11,4)
<p>Temperatura alta</p> <p>Aumenta la temperatura del lavado principal para mejorar la limpieza. Cuando se usa con el ciclo Normal Wash (Lavado normal), la capacidad de limpieza será un poco más potente, pero no tanto como en el ciclo de Pots & Pans (Ollas y cacerolas).</p>	<p>SmartWash®^{HE} Pots & Pans (Ollas y cacerolas) Normal Wash (Lavado normal)</p>	<p>Aumenta la temperatura del lavado principal de 120 °F (49 °C) a 140 °F (60 °C).</p>	22	40	0 - 3,0 (0 - 11,4)
<p>Sani Rinse (Enjuague sanitario)</p> <p>Esta opción de alta temperatura higieniza sus platos y su cristalería según el Estándar 184 de la Fundación Nacional de la Salubridad (NSF)/ANSI para lavavajillas domésticas. Las lavavajillas residenciales certificadas no han sido diseñadas para los establecimientos con licencia para alimentos. El indicador Sani Rinse (Enjuague sanitario) muestra al final del ciclo si la opción Sani Rinse (Enjuague sanitario) se completó con éxito. Si no se activa el indicador, es posiblemente debido a que se interrumpió el ciclo.</p>	<p>SmartWash®^{HE} Pots & Pans (Ollas y cacerolas) Normal Wash (Lavado normal)</p>	<p>Aumenta la temperatura del lavado principal de 120 °F (49 °C) a 140 °F (60 °C) y la del enjuague final de 140 °F (60 °C) a 155 °F (68 °C).</p>	53	73	0 - 3,0 (0 - 11,4)
<p>Top Rack Only (Sólo la canasta superior)</p> <p>Para mayor conveniencia, use para lavar una pequeña carga de platos en la canasta superior para ayudar a mantener la cocina limpia constantemente.</p>	<p>Disponible con cualquier ciclo No se puede utilizar con la opción TURBOZONE®</p>	<p>Un lavado ligeramente más rápido para las cargas pequeñas</p>	-7	-30	0
<p>SmartDry™ (Secado inteligente)</p> <p>Enciende el elemento calentador, con la asistencia del ventilador, al final del ciclo de lavado. Use un agente de enjuague con o sin la opción de SmartDry™ (Secado inteligente) para obtener los mejores resultados de secado. Es menos probable que los artículos de plástico se deformen cuando los carga en la canasta superior.</p>	<p>Disponible con cualquier ciclo excepto Quick Rinse (Enjuague rápido)</p>	<p>Enciende el elemento calentador al final del ciclo de lavado.</p>	44	51	0

[†]Seleccionar varias opciones no resulta en una acumulación de la cantidad de tiempo y de agua indicados en el cuadro de arriba.

Sección de control de la lavavajillas

Delay Hours (Horas de retraso) (en algunos modelos)

Use esta opción para poner la lavavajillas en funcionamiento en horas no pico. Las empresas proveedoras de servicios públicos locales recomiendan consumir energía durante las horas de menos consumo de energía siempre que sea posible.

Para retrasar el inicio:

1. Seleccione un ciclo de lavado y las opciones.
2. Presione el botón 1-12 Hour Delay (1-12 Horas de retraso) para seleccionar la cantidad de horas que desea retrasar la puesta en marcha.
3. Presione START/RESUME (Inicio/Reanudar).

NOTA: En cualquier momento que se abra la puerta durante más de 5 segundos (como puede ser para agregar un plato), deberá presionarse nuevamente el botón de Start/Resume (Inicio/Reanudar) para reanudar la cuenta regresiva del retraso.

Opción de Control Lock

Use la opción de Control Lock para evitar el uso no intencional de la lavavajillas entre un ciclo y otro. Cuando la luz de Lock On (Bloqueo activado) está encendida, todos los botones están desactivados. La puerta de la lavavajillas puede abrirse y cerrarse mientras los controles están bloqueados.

Para activar el Control Lock:

Presione y sostenga TOP RACK ONLY (Sólo la canasta superior) durante tres segundos. Un mensaje en la pantalla LCD confirmará que los controles están bloqueados. Si presiona cualquier tecla mientras su lavavajillas está bloqueada, la pantalla LCD mostrará un mensaje que indica que los controles están bloqueados.

NOTA: La lavavajillas no puede funcionar si el control está bloqueado.

Para apagar el Control Lock:

NOTA: Es posible que necesite desactivar el modo de dormir, presionando START/RESUME (Inicio/Reanudar) o CANCEL/DRAIN (Cancelar/Desaguar), o abriendo y cerrando la puerta antes de poder apagar Control Lock (Bloqueo de control).

Presione y sostenga TOP RACK ONLY (Sólo la canasta superior) durante tres segundos. La luz se apaga. Un mensaje en la pantalla LCD confirmará que los controles están desbloqueados.

Sección de información provista por la lavavajillas

Indicadores y barra de cuenta regresiva (en algunos modelos)



Los indicadores le informarán si usted puede agregar un plato al ciclo después de que éste haya comenzado. También, le informarán si la lavavajillas está lavando, enjuagando, secando, si ha terminado y/o si ha higienizado. Mostrarán si el control está bloqueado y/o se ha seleccionado la opción de retraso. Una serie de barras hará la cuenta regresiva del ciclo restante de izquierda a derecha. Cada barra representa aproximadamente 24 minutos de duración del ciclo.

Cómo seleccionar los ciclos y las opciones

1. Para repetir el mismo ciclo/opciones utilizadas en el ciclo anterior, presione START/RESUME (Inicio/Reanudar) una vez para mostrar qué selecciones utilizó. Para cambiar el ciclo, seleccione el ciclo deseado.
2. Seleccione las opciones deseadas, luego presione START/RESUME (Inicio/Reanudar) para comenzar el ciclo. No todas las opciones están disponibles para cada ciclo. Si se selecciona una opción no válida para un ciclo determinado, las luces destellarán.

Cómo apagar/encender (OFF/ON) el sonido

Presione y sostenga HIGH TEMP (Temperatura alta) durante 3 segundos para alternar el sonido entre ON (Encendido) y OFF (Apagado). El sonido no se desactivará para los mensajes de interrupción del ciclo o de servicio necesario. Una pantalla en el texto de la pantalla LCD confirmará cuándo se ha apagado o encendido el sonido.

Cómo cancelar un ciclo

1. Abra la puerta ligeramente para detener el ciclo. Espere a que la acción de rociado se detenga antes de abrir la puerta por completo.
2. Presione y sostenga el botón Cancel/Drain (Cancelar/Desaguar) hasta que la luz Cancel/Drain se encienda.
3. Cierre la puerta. La lavavajillas comienza un ciclo de desagüe si el agua permanece en el fondo de la lavavajillas. Deje que la lavavajillas complete el desagüe. La luz Cancel/Drain se apaga al cabo de 2 minutos.

Cómo cambiar un ciclo después de iniciar la lavavajillas

Puede interrumpir un ciclo y volver a iniciar la lavavajillas desde el comienzo usando el siguiente procedimiento.

1. Abra la puerta ligeramente para detener el ciclo. Espere a que la acción de rociado se detenga, luego abra la puerta por completo.
2. Verifique si la tapa del depósito de detergente está aún cerrada. Si la tapa está abierta, necesitará volver a llenar el depósito de detergente antes de volver a iniciar el nuevo ciclo.
3. Presione y sostenga CANCEL/DRAIN (Cancelar/Desaguar) dos veces para volver a fijar el control.
4. Seleccione nuevos ciclos y opciones.
5. Presione START/RESUME (Inicio/Reanudar).

Cómo agregar un plato después de iniciar la lavavajillas

1. Verifique si se ha encendido el indicador de Add a Dish (Agregar un plato).
2. Abra la puerta ligeramente para detener el ciclo. Espere a que la acción de rociado se detenga, luego abra la puerta por completo.
3. Verifique si la tapa del depósito de detergente está aún cerrada. Si está abierta, el ciclo de lavado ya ha comenzado y no se recomienda agregar un plato.
4. Si el detergente todavía no se usó (la tapa del depósito del detergente está cerrada), puede agregar un plato.
5. Presione START/RESUME (Inicio/Reanudar).

CÓMO LAVAR ARTÍCULOS ESPECIALES

Si tiene dudas acerca del lavado de un artículo determinado, consulte con el fabricante para ver si se trata de un artículo lavable en la lavavajillas.

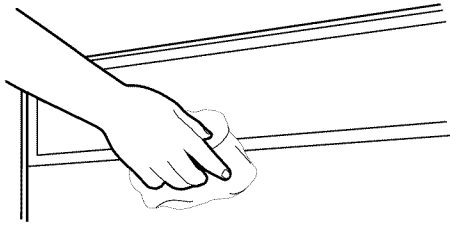
Material	¿Lavable en la lavavajillas?	Comentarios
Aluminio	Sí	La temperatura alta del agua y los detergentes pueden afectar el acabado del aluminio anodizado.
Aluminio desechable	No	No lave bandejas de aluminio desechables en la lavavajillas. Éstas podrían moverse durante el lavado y dejar marcas negras en los platos y otros objetos.
Botellas y latas	No	Lave las botellas y latas a mano. Las etiquetas engomadas pueden soltarse y obstruir el sistema de lavado y reducir el rendimiento de lavado.
Hierro fundido	No	Se perderá el curado y el hierro se oxidará.
Porcelana/Cerámica de gres	Sí	Consulte siempre las recomendaciones del fabricante antes de lavar. Los diseños antiguos, pintados a mano o sobre glaseado se desteñirán. Los acabados dorados pueden perder su color o intensidad.
Cristal	Sí	Consulte siempre las recomendaciones del fabricante antes de lavar. Algunos tipos de cristal de sosa pueden corroerse después de varias lavadas.
Oro	No	Los cubiertos dorados perderán su color.

Material	¿Lavable en la lavavajillas?	Comentarios
Vidrio	Sí	El material de los vasos de leche se pondrá amarillento luego de varias lavadas en la lavavajillas.
Cuchillos con mango hueco	No	Los mangos de algunos cuchillos están fijados a la hoja con adhesivos que pueden aflojarse al ser lavados en la lavavajillas.
Peltre, latón, bronce y cobre	No	Las temperaturas altas del agua y el detergente pueden decolorar o picar el acabado.
Plásticos desechables	No	No pueden resistir las temperaturas altas del agua y los detergentes.
Plásticos	Sí	Consulte siempre las recomendaciones del fabricante antes de lavar. La capacidad de los objetos de plástico para resistir las temperaturas altas y los detergentes varía. Es recomendable colocar los objetos livianos, tales como tapas y mantequeras, sólo en la canasta superior. Objetos duros tales como refrigerantes y bandejas de sillas para bebés pueden colocarse en la canasta inferior. Cuando lave objetos de plástico en la canasta inferior, no es recomendable usar la opción de SmartDry™ (Secado inteligente).
Acero inoxidable	Sí	Haga correr un ciclo de enjuague si no va a lavar de inmediato. El contacto prolongado con los alimentos que contienen sal, vinagre, productos lácteos o jugos de fruta puede dañar el acabado.
Plata de ley o con baño de plata	Sí	Haga correr un ciclo de enjuague si no va a lavar de inmediato. El contacto prolongado con los alimentos que contienen sal, ácido o sulfuro (huevos, mayonesa y mariscos) puede dañar el acabado.
Hojalata	No	No se recomienda.
Artículos de madera	No	Lávelos a mano. Consulte siempre las recomendaciones del fabricante antes de lavar. La madera no tratada puede deformarse, agrietarse o perder el acabado.
Sección de cacerolas grandes	Sí	Es posible que haya ciertas fuentes que no encajen enfrente de la característica TURBOZONE™ (en algunos modelos) en la parte posterior de la canasta de platos inferior. Regule las puntas según sea necesario para cargar los platos grandes.

CUIDADO DE LA LAVAVAJILLAS

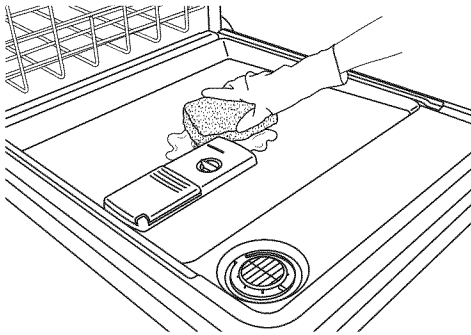
Limpieza

Limpieza externa



En la mayoría de los casos, todo lo que se debe hacer es usar periódicamente un paño suave y húmedo o una esponja con un detergente suave para que el exterior de su lavavajillas se vea limpio y reluciente. Si el exterior de la lavavajillas es de acero inoxidable, se recomienda un limpiador de acero inoxidable.

Limpieza del interior



Los residuos minerales del agua dura pueden causar la acumulación de una película blanca en las superficies interiores, sobre todo inmediatamente debajo del área de la puerta.

No limpie el interior de la lavavajillas hasta que se haya enfriado. Tal vez desee usar guantes de goma. No utilice ningún tipo de limpiador que no sea el detergente recomendado para lavavajillas, debido a que puede producir espuma o jabón en exceso.

Para limpiar el interior

Haga una pasta con el detergente en polvo de lavavajillas en una esponja húmeda y limpie.

○ BIEN

Use detergente líquido de lavavajillas y limpie con una esponja húmeda.

○ BIEN

Consulte el procedimiento de enjuague con vinagre en la sección "Solución de problemas" bajo "Manchas o formación de películas en la vajilla".

NOTA: Ponga a funcionar un ciclo normal con detergente después de la limpieza interna.

Procedimiento para el mantenimiento de la lavadora

Para evitar los residuos del agua dura en la lavavajillas, utilice el limpiador para lavavajillas affresh® (recomendado) una vez al mes como parte del mantenimiento periódico. El limpiador para lavavajillas affresh® es eficiente en todas las marcas.

IMPORTANTE:

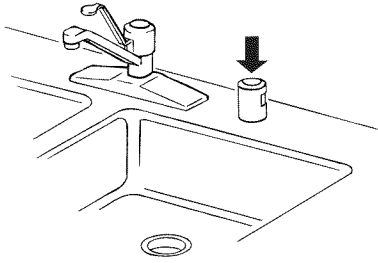
- Lea por completo estas instrucciones y las del paquete del producto affresh® antes de comenzar con el procedimiento de limpieza.

Cómo quitar el agua dura o las películas: se recomienda usar un producto para el mantenimiento mensual, como puede ser el limpiador para lavavajillas affresh®, pieza número W10282479.

NOTA: Se recomienda utilizar una pastilla o un paquete de detergente previamente medido para uso diario.

- Cargue la lavavajillas (preferentemente con la vajilla que se ha visto afectada por películas o agua dura).
- Coloque la tableta en el compartimiento principal de lavado del depósito de detergente.
- Seleccione el ciclo o la opción que sean los mejores para la vajilla con suciedad profunda y ponga la lavavajillas en marcha.

Purga de aire del desagüe



Algunas normas de plomería locales o estatales exigen que se instale una purga de aire del desagüe entre una lavavajillas empotrada y el sistema de desagüe de la casa. Revise la purga de aire del desagüe cuando su lavavajillas no esté desaguando bien.

La purga de aire del desagüe está por lo general ubicada encima del fregadero o en el mostrador, cerca de la lavavajillas. Para adquirir una purga de aire del desagüe, llame al 1-800-4-MY-HOME®. Pida la pieza número 300096.

NOTA: La purga de aire del desagüe es un dispositivo de plomería externo que no forma parte de su lavavajillas. La garantía proporcionada con su lavavajillas no cubre los costos de servicio técnico directamente asociados con la limpieza o reparación de una purga de aire del desagüe externa.

Para limpiar la purga de aire del desagüe

Limpie la purga de aire del desagüe periódicamente para asegurar un desagüe apropiado de su lavavajillas. Como con la mayoría, tiene que levantar la tapa de cromo. Desatornille la tapa de plástico. Luego revise si hay acumulación de suciedad. Límpiela si es necesario.

Cómo guardar

Cómo guardar para el verano

Si no se usa la lavavajillas durante los meses de verano, cierre el suministro de agua y de energía a la lavavajillas.

Cómo guardar para el invierno

Evite posibles daños de agua en su casa y en la lavavajillas debido al congelamiento de las líneas de agua. Si deja su lavavajillas en una vivienda de temporada o si pudiera estar expuesta a temperaturas casi congelantes, haga acondicionar su lavavajillas para el invierno por un personal de servicio autorizado.

SOLUCIÓN DE PROBLEMAS

VERIFIQUE ESTOS PUNTOS PARA AYUDARLE A AHORRAR TIEMPO Y DINERO.

PROBLEMA	SOLUCIÓN
LA LAVAVAJILLAS NO FUNCIONA	<p>NOTA: Es normal que la lavavajillas haga pausas repetidamente durante un ciclo.</p> <p>Si está destellando la luz de Start/Resume (Inicio/Reanudar), presione START/RESUME y cierre la puerta en menos de 3 segundos.</p> <p>Cerciórese de que la puerta esté cerrada y asegurada. Si un lado de la canasta superior está inclinado, levante la canasta del lado inclinado hacia abajo. Una canasta desnivelada puede impedir cerrar la puerta.</p> <p>Cerciórese de que no haya interferencia con fuentes grandes y el sistema de lavado en la parte posterior de la lavavajillas. Ajuste la carga según sea necesario, para cerciorarse de que la puerta esté cerrada y asegurada.</p> <p>Asegúrese de haber seleccionado un ciclo. (Consulte “Información sobre ciclos y opciones”.)</p> <p>Asegúrese de que haya suministro de energía a la lavavajillas. Es posible que se haya disparado un cortacircuitos o un fusible.</p> <p>Si están destellando otras luces que no sean la de Start/Resume (Inicio/Reanudar) y la unidad no funciona, deberá llamar para solicitar servicio técnico.</p>
QUEDA DETERGENTE EN EL DEPÓSITO O LA PASTILLA ESTÁ EN EL FONDO DE LA TINA	<p>Fíjese si hay artículos tales como charolas para galletas, tablas de cortar o recipientes grandes, etc., que pudieran impedir que el depósito de detergente se abra como es debido.</p> <p>Cerciórese de que el detergente esté fresco y sin grumos.</p> <p>Asegúrese de que se haya terminado el ciclo (la luz azul está encendida). Si no se ha terminado, deberá reanudar el ciclo presionando START/RESUME (Inicio/Reanudar) y cerrando la puerta en menos de 3 segundos.</p>

PROBLEMA**SOLUCIÓN****EL CICLO FUNCIONA POR DEMASIADO TIEMPO****NOTAS:**

- Para usar menos agua y reducir el consumo de energía, usted verá que algunos ciclos en general funcionan hasta por 3 horas.
- Lo mejor es fijar el calentador de agua a 120 °F (49 °C). La lavavajillas demorará más mientras calienta el agua que esté más fría.
- Algunas opciones agregarán tiempo al ciclo. (Consulte la sección “Información sobre ciclos y opciones”.) La opción de SmartDry™ agrega ½ hora.

Pruebe con el ciclo de 1 Hour Wash (Lavado de 1 hora).

Antes de comenzar el ciclo, haga correr agua caliente de un grifo que esté cerca de la lavavajillas.

LA LAVAVAJILLAS NO SECA

NOTA: Los objetos de plástico y los artículos con superficies antiadherentes son difíciles de secar, ya que tienen una superficie porosa que tiende a retener las gotas de agua. Puede ser necesario secar con un paño de cocina.

Se necesita usar el agente de enjuague junto con la opción de SmartDry™ (Secado inteligente) para un secado adecuado.

El cargar los artículos adecuadamente puede afectar el secado. (Consulte las instrucciones de carga específicas dentro de este manual.)

Los vasos y las tazas con base cóncava retienen el agua. Esta agua puede derramarse sobre otros artículos al descargarlos.

- Vacíe primero la canasta inferior.
- Ubique estos artículos en el lado más inclinado de la canasta, para obtener mejores resultados.

NO SE LLENA

Asegúrese de que la llave de agua a la lavavajillas esté abierta.

Verifique que el flotador esté libre de obstrucciones. (Consulte “Piezas y características”.)

Verifique si hay espuma en la lavavajillas. Si se detecta espuma, es posible que la lavavajillas no funcione correctamente o que no se llene de agua.

**QUEDA AGUA EN LA TINA/
NO DESAGUA**

Asegúrese de que se haya terminado el ciclo (la luz azul está encendida). Si no se ha terminado, deberá reanudar el ciclo presionando START/RESUME (Inicio/Reanudar) y cerrando la puerta en menos de 3 segundos.

Si la lavavajillas está conectada a un recipiente de desechos alimenticios, asegúrese de haber quitado el tapón del disco removible de la entrada del recipiente de desechos.

Verifique si la manguera de desagüe está retorcida.

Revise si hay obstrucciones de comida en el desagüe o en el recipiente de desechos.

Revise el fusible o el cortacircuitos de la casa.

**AGUA DURA
(RESIDUO BLANCO EN EL
INTERIOR DE LA
LAVAVAJILLAS O EN LA
CRISTALERÍA)**

NOTA: Los residuos minerales del agua extremadamente dura pueden causar daños en su lavavajillas y hacer difícil que se obtenga una buena limpieza. Puede traer sus muestras de agua a Sears para verificar el nivel de dureza. Se recomienda enérgicamente un ablandador de agua si el agua tiene una dureza de 15 granos o más. Si no se instala un ablandador de agua, pueden ayudar los pasos siguientes:

Utilice un limpiador diseñado para las lavavajillas una vez por mes. Consulte la sección “Procedimiento de mantenimiento de la lavavajillas”.

Limpie los filtros ULTRACLEAN™ por lo menos una vez por mes.

Use siempre un agente de enjuague.

Siempre use un detergente fresco de alta calidad.

Use un aditivo para realzar el detergente/ablandador de agua que esté diseñado para lavavajillas.

PROBLEMA	SOLUCIÓN
OLORES	<p>NOTA: Si la lavavajillas no se usa todos los días, puede hacer funcionar un ciclo de enjuague con la carga parcialmente llena, hasta que tenga una carga completa, o use la opción de Top Rack Only (Sólo la canasta superior) (en algunos modelos) para cargas parcialmente llenas.</p> <p>Ponga a funcionar un enjuague con vinagre en la lavavajillas, colocando 2 tazas (500 ml) de vinagre blanco en una taza medidora de vidrio en posición vertical, en la canasta inferior. Ponga en marcha un ciclo normal con la opción SmartDry™ (Secado inteligente) apagada. No use detergente.</p> <p>Es posible que la lavavajillas no esté desaguando como es debido; vea “QUEDA AGUA EN LA TINA/NO DESAGUA” en “Solución de problemas”.</p>
RUIDOS	<p>NOTAS:</p> <ul style="list-style-type: none"> ■ Pueden escucharse sonidos de gorgoteo a lo largo del ciclo, mientras la lavavajillas se esté desaguando. ■ Puede escucharse periódicamente el silbido normal de la válvula de agua. ■ Puede escucharse un sonido normal de chasquido cuando se abre el depósito de detergente durante el ciclo y cuando se abre la puerta al final del mismo. ■ La instalación incorrecta afectará los niveles de ruido. <p>Asegúrese de que estén bien instalados los filtros.</p> <p>Pueden escucharse ruidos sordos si los artículos se extienden más allá de las canastas e interfieren con los brazos de lavado. Reacomode la vajilla y reanude el ciclo.</p>
QUEDA SUCIEDAD DE LOS ALIMENTOS EN LOS PLATOS	<p>Asegúrese de que la lavavajillas esté cargada correctamente. Una carga indebida puede disminuir en gran proporción el rendimiento de lavado (consulte “Cómo cargar para el mejor funcionamiento”).</p> <p>Verifique el filtro para asegurarse de que está instalado correctamente. Límpielo de ser necesario. (Consulte las “Instrucciones de limpieza” en “Sistema de filtración ULTRACLEAN™ para obtener más información).</p> <p>Seleccione el ciclo y las opciones adecuadas para el tipo de suciedad. Puede usarse el ciclo de Pots Pans (Ollas, cacerolas) con la opción TURBOZONE® (en algunos modelos) para las cargas más rebeldes.</p> <p>Cerciórese de que la temperatura de entrada de agua esté fijada a por lo menos 120 °F (49 °C). Use la cantidad adecuada de detergente fresco. Se necesitará más detergente para las cargas con suciedad pesada y condiciones de agua dura.</p> <p>Quite los restos de comida de los platos antes de ponerlos en la lavavajillas (no los enjuague previamente).</p>
NO HA HIGIENIZADO	<p>Si la luz indicadora de Sani Rinse (Enjuague sanitario) está parpadeando, la carga <i>NO</i> está higienizada. Se ha interrumpido el ciclo en el enjuague final o el calentador de agua se ha fijado en una temperatura muy baja. Fije el calentador de agua en 120 °F (49 °C).</p>
DAÑOS EN LA VAJILLA	<p>Una carga inapropiada puede hacer que los platos se desportillen o se dañen. (Consulte las instrucciones de carga específicas dentro de este manual).</p>
LUCES DESTELLANDO	<p>Si está destellando la luz de Start/Resume (Inicio/Reanudar) o cualquiera de las luces de estado y la lavavajillas no funciona, presione START/RESUME y cierre la puerta en menos de 3 segundos. Si la lavavajillas sigue sin funcionar, llame al servicio técnico al 1-800-4-MY-HOME®.</p>

PROBLEMA	SOLUCIÓN
VAJILLA TURBIA O CON MANCHAS (Y SOLUCIÓN DE AGUA DURA)	<p>NOTAS:</p> <ul style="list-style-type: none"> ■ Es necesario un agente de enjuague líquido para el secado y para reducir las manchas. ■ Use la cantidad adecuada de detergente. <p>Confirme si se puede quitar la turbidez remojando el artículo en vinagre blanco durante 5 minutos. Si desaparece la turbidez, ésta se debe a agua dura. Regule la cantidad de detergente y agente de enjuague. Consulte “AGUA DURA (RESIDUO BLANCO EN EL INTERIOR DE LA LAVAVAJILLAS O EN LA CRISTALERÍA)” en “Solución de problemas”. Si no se aclara, es debido a la corrosión (ver a continuación).</p> <p>Cerciórese de que la temperatura de entrada de agua esté fijada a 120 °F (49 °C).</p> <p>Pruebe usar las opciones de High Temp (Temperatura alta) y Sani Rinse (Enjuague sanitario).</p> <p>Para quitar las manchas, enjuague la lavavajillas con vinagre.</p> <ul style="list-style-type: none"> ■ Lave y enjuague los artículos afectados y cárguelos en la lavavajillas. Saque todos los cubiertos y los artículos de metal. Ponga 2 tazas (500 mL) de vinagre blanco en una taza medidora de vidrio en la canasta inferior. Ponga en marcha un ciclo normal con la opción SmartDry™ (Secado inteligente) apagada. No se necesita detergente.
CORROSIÓN (TURBIDEZ PERMANENTE)	<p>Esto es una erosión de la superficie de la cristalería y puede ser causada por una combinación de lo siguiente: agua muy caliente, el uso de demasiado detergente en agua blanda o el lavado previo. El detergente necesita de la suciedad de la comida para actuar. Si ha habido corrosión, la cristalería está permanentemente dañada. Para evitar que continúe ocurriendo la corrosión, regule la cantidad de detergente de manera que coincida con la dureza del agua, deje de lavar previamente y use opciones de calentamiento de agua solamente cuando la temperatura del agua de entrada sea menor a 120 °F (49 °C).</p>
FUGAS DE AGUA	<p>Asegúrese de que la lavavajillas esté instalada correctamente y de que esté nivelada.</p> <p>La espuma puede hacer que se desborde la lavavajillas. Mida el detergente con precisión y use solamente detergentes diseñados para ser usados en una lavavajillas. Se necesita menos detergente en agua blanda. Si continúa el exceso de espuma, pruebe otra marca de detergente.</p> <p>Para evitar que se salga el agente de enjuague del depósito, cerciórese de que la tapa esté bien sujeta y evite el sobrellenado.</p>
SE HA DECOLORADO LA TINA	<p>NOTAS:</p> <ul style="list-style-type: none"> ■ El alto contenido de hierro en el agua puede manchar la tina. ■ Los alimentos a base de tomate pueden manchar la tina o la vajilla. ■ Puede usarse un limpiador a base de cítricos para limpiar.

TABLE DES MATIÈRES

CONTRATS DE PROTECTION	57	UTILISATION DU LAVE-VAISSELLE	76
GARANTIE	58	Informations sur les programmes et les options	76
SÉCURITÉ DU LAVE-VAISSELLE	59	Section module de commande du lave-vaisselle.....	78
QUOI DE NEUF DANS VOTRE LAVE-VAISSELLE	61	Section commentaires sur l'utilisation	
Énergie.....	61	du lave-vaisselle	79
Rendement	61	Annulation d'un programme	79
PIÈCES ET CARACTÉRISTIQUES	62	Modification d'un programme après la mise	
DÉMARRAGE / GUIDE RAPIDE	63	en marche du lave-vaisselle.....	79
SYSTÈME DE FILTRATION ULTRACLEAN™	64	Ajout d'un plat après la mise	
360 POWERWASH PLUS™	66	en marche du lave-vaisselle.....	79
RÉGLEUR AJUSTABLE D'UNE MAIN	66	LAVAGE D'ARTICLES SPÉCIAUX	80
CONSEILS D'EFFICACITÉ POUR LE LAVE-VAISSELLE	66	ENTRETIEN DU LAVE-VAISSELLE	81
DÉTÉRGENT ET AGENT DE RINÇAGE.....	67	Nettoyage.....	81
Détergent	67	Procédure d'entretien du lave-vaisselle	82
Agent de rinçage.....	68	Dispositif de brise-siphon.....	82
CHARGEMENT	69	Remisage.....	82
Chargement pour un nettoyage et un séchage idéaux.....	69	DÉPANNAGE.....	83
Chargement du panier supérieur.....	70		
Chargement du panier inférieur	73	NUMÉROS DE SERVICE	COUVERTURE ARRIÈRE

CONTRATS DE PROTECTION

Contrats principaux de protection

Nous vous félicitons d'avoir fait un achat judicieux. Votre nouvel appareil Kenmore® est conçu et fabriqué pour vous procurer des années de fonctionnement fiable. Mais comme pour tous les produits, il pourra à l'occasion nécessiter un entretien préventif ou une réparation. Le cas échéant, un Contrat principal de protection peut vous épargner de l'argent et des soucis.

Le Contrat principal de protection contribue aussi à prolonger la vie utile de votre nouvel appareil ménager. Le Contrat* inclut :

- ✓ **Pièces et main-d'œuvre** nécessaires pour conserver les appareils en état de fonctionnement correct **pendant une utilisation normale**, pas uniquement les défaillances. Notre couverture **va bien au-delà de la garantie du produit**. Aucune franchise, aucune anomalie de fonctionnement ne sont exclues de ce contrat - **protection réelle**.
- ✓ **Un service d'expert** proposé par plus de 10 000 techniciens d'entretien Sears autorisés, ce qui signifie que quelqu'un de confiance prendra soin de votre produit.
- ✓ **Appels de service illimités et service national**, aussi souvent que vous en avez besoin et quand vous en avez besoin.

- ✓ **Garantie "Anti-citron"** - remplacement de votre produit couvert si plus de quatre pannes se produisent en deçà de douze mois.
- ✓ **Remplacement du produit** si votre produit couvert ne peut être réparé.
- ✓ **Vérification annuelle d'entretien préventif** sur demande - sans frais supplémentaires.
- ✓ **Aide rapide par téléphone** - nous appelons cela **Résolution rapide** - support téléphonique d'un agent de Sears sur tous les produits. Considérez-nous comme un "manuel d'utilisateur parlant".
- ✓ **Protection contre les sautes de puissance** pour prévenir les dommages électriques attribuables aux fluctuations de courant.
- ✓ **Couverture pour la perte de nourriture de 250 \$** par an sur tout aliment altéré en raison d'une défaillance mécanique sur tout réfrigérateur ou congélateur couvert.
- ✓ **Remboursement de location** si la réparation du produit couvert prend plus de temps que promis.
- ✓ **10 % de réduction** sur le prix courant de toute intervention de réparation non couverte et pièces de rechange.

Dès que vous achetez le Contrat, il suffit d'un appel téléphonique pour obtenir un rendez-vous de service. Vous pouvez appeler en tout temps jour et nuit ou prendre un rendez-vous de service en direct.

Le Contrat principal de protection constitue un investissement sans risque. Si vous annulez pour une quelconque raison pendant la période de garantie du produit, nous vous rembourserons intégralement ou nous vous verserons un remboursement au prorata après l'expiration de la période de garantie. Achetez votre Contrat principal de protection aujourd'hui même!

Certaines limitations et exclusions s'appliquent. Pour des prix et renseignements supplémentaires aux États-Unis, composez le 1-800-827-6655.

***Le contrat de couverture au Canada varie pour certains articles. Pour des informations détaillées, appelez Sears Canada au 1-800-361-6665.**

Service d'installation Sears

Pour l'installation professionnelle garantie par Sears d'appareils ménagers et d'articles tels que les ouvre-portes de garage, chauffe-eau, et autres gros appareils ménagers, aux É.-U. ou au Canada, composez le 1-800-4-MY-HOME®.

GARANTIE LIMITÉE KENMORE ELITE®

Lorsque cet appareil est installé, utilisé et entretenu conformément à toutes les instructions fournies, la garantie suivante s'applique. Pour prendre rendez-vous pour une intervention de dépannage, composez le 1-800-4-MY-HOME® (1-800-469-4663).

- **Pendant deux ans à compter de la date d'achat**, toute pièce du lave-vaisselle devenue défectueuse en raison de vices de matériaux ou de fabrication sera remplacée sans frais. Après la première année à compter de la date d'achat, le client prend en charge tous les frais de main-d'œuvre liés au remplacement de ces pièces.
- **Pendant cinq ans à compter de la date d'achat**, toute pièce du panier à vaisselle supérieur ou inférieur ayant rouillé en raison de vices de matériaux ou de fabrication sera remplacée sans frais. Après la première année à compter de la date d'achat, le client prend en charge tous les frais de main-d'œuvre liés au remplacement du panier à vaisselle.
- **Si une fuite se produit** à la suite d'une attaque par la rouille de la cuve ou du panneau de porte interne en acier inoxydable, la cuve ou le panneau seront remplacés sans frais.

Si cet appareil est utilisé à toute autre fin qu'une utilisation familiale privée, la présente garantie ne s'appliquera que pendant 90 jours à compter de la date d'achat.

Cette garantie couvre uniquement les vices de matériaux et de fabrication, et ne couvre PAS :

1. Les pièces courantes pouvant s'user suite à une utilisation normale, notamment les filtres, courroies, ampoules et sacs.
2. L'intervention d'un technicien de réparation pour montrer à l'utilisateur comment installer, utiliser et entretenir correctement le produit.
3. L'intervention d'un technicien de réparation pour nettoyer ou entretenir ce produit.

4. L'endommagement ou la défaillance de ce produit s'il n'est pas installé, utilisé ou entretenu conformément à toutes les instructions fournies avec le produit.
5. L'endommagement ou la défaillance de ce produit résultant d'un accident, d'un usage impropre ou abusif ou d'une utilisation autre que celle à laquelle il est destiné.
6. L'endommagement ou la défaillance de ce produit causé par l'utilisation de détergents, nettoyeurs, produits chimiques ou ustensiles autres que ceux recommandés dans toutes les instructions fournies avec le produit.
7. L'endommagement ou l'état défectueux de pièces ou systèmes résultant d'une modification non autorisée faite au produit.

Clause d'exonération de responsabilité au titre des garanties implicites; limitation des recours

Le seul et exclusif recours du client dans le cadre de la présente garantie limitée consiste en la réparation prévue aux présentes. Les garanties implicites, y compris les garanties applicables de qualité marchande ou d'aptitude à un usage particulier, sont limitées à un an ou à la plus courte période autorisée par la loi. Sears n'assume aucune responsabilité pour les dommages fortuits ou indirects. Certains États ou certaines provinces ne permettent pas l'exclusion ou la limitation des dommages fortuits ou indirects, ou la limitation de la durée des garanties implicites de qualité marchande ou d'aptitude à un usage particulier, de sorte que ces exclusions ou limitations peuvent ne pas être applicables dans votre cas.

Cette garantie s'applique seulement lorsque cet appareil ménager est utilisé aux États-Unis ou au Canada.

Cette garantie vous confère des droits juridiques spécifiques et vous pouvez également jouir d'autres droits qui peuvent varier d'un État à l'autre.

**Sears Brands Management Corporation,
Hoffman Estates, IL 60179**

Sears Canada Inc., Toronto, Ontario, Canada M5B 2C3

SÉCURITÉ DU LAVE-VAISSELLE

Votre sécurité et celle des autres est très importante.

Nous donnons de nombreux messages de sécurité importants dans ce manuel et sur votre appareil ménager. Assurez-vous de toujours lire tous les messages de sécurité et de vous y conformer.



Voici le symbole d'alerte de sécurité.

Ce symbole d'alerte de sécurité vous signale les dangers potentiels de décès et de blessures graves à vous et à d'autres.

Tous les messages de sécurité suivront le symbole d'alerte de sécurité et le mot "DANGER" ou "AVERTISSEMENT". Ces mots signifient :

! DANGER

Risque possible de décès ou de blessure grave si vous ne suivez pas immédiatement les instructions.

! AVERTISSEMENT

Risque possible de décès ou de blessure grave si vous ne suivez pas les instructions.

Tous les messages de sécurité vous diront quel est le danger potentiel et vous disent comment réduire le risque de blessure et ce qui peut se produire en cas de non-respect des instructions.

IMPORTANTES INSTRUCTIONS DE SÉCURITÉ

AVERTISSEMENT : Lors de l'utilisation du lave-vaisselle, suivre les précautions élémentaires dont les suivantes :

- Lire la totalité des instructions avant d'utiliser le lave-vaisselle.
- N'utiliser le lave-vaisselle que pour laver la vaisselle.
- Utiliser les détergents ou agents de rinçage recommandés pour lave-vaisselle et les garder hors de la portée des enfants.
- Lorsque vous chargez le lave-vaisselle :
 - 1) Placer les objets coupants de façon qu'ils ne puissent endommager le joint de la porte; et
 - 2) Placer les couteaux le manche vers le haut de façon à ne pas vous couper.
- Ne pas laver d'articles en plastique à moins qu'ils ne soient marqués "Peut aller au lave-vaisselle" ou l'équivalent. Si l'article ne porte aucune indication, vérifier auprès du fabricant.
- Ne pas toucher l'élément chauffant pendant le fonctionnement ou immédiatement après.
- Ne pas faire fonctionner le lave-vaisselle si tous les panneaux de l'enceinte ne sont pas en place.
- Ne pas jouer avec les commandes.
- Ne pas abuser, vous asseoir ni monter sur la porte, le couvercle ou les paniers du lave-vaisselle.
- Pour éviter tout risque d'accident, ne pas laisser les enfants jouer dans ou sur le lave-vaisselle.
- Sous certaines conditions, de l'hydrogène peut se former dans un réseau d'eau chaude inutilisé depuis deux semaines ou plus. L'HYDROGÈNE EST UN GAZ EXPLOSIBLE. Si le système d'eau chaude n'a pas été utilisé depuis un certain temps, laisser couler l'eau chaude des robinets pendant quelques minutes avant de faire fonctionner le lave-vaisselle. Cette mesure permettra à l'hydrogène de s'évaporer. Ce gaz étant inflammable, ne pas fumer ni utiliser de flamme nue pendant cette période.
- Enlever la porte ou le couvercle du compartiment de lavage lorsque vous remplacez ou mettez au rebut un vieux lave-vaisselle.

CONSERVEZ CES INSTRUCTIONS

Avertissements de la proposition 65 de l'État de Californie :

AVERTISSEMENT : Ce produit contient au moins un produit chimique connu par l'État de Californie pour être à l'origine de cancers.

AVERTISSEMENT : Ce produit contient au moins un produit chimique connu par l'État de Californie pour être à l'origine de malformations et autres déficiences de naissance.

⚠ AVERTISSEMENT



Risque de basculement

Ne pas utiliser le lave-vaisselle jusqu'à ce qu'il soit complètement installé.

Ne pas appuyer sur la porte ouverte.

Le non-respect de ces instructions peut causer des blessures graves ou des coupures.

⚠ AVERTISSEMENT



Risque de choc électrique

Relier le lave-vaisselle à la terre d'une méthode électrique.

Brancher le fil relié à la terre au connecteur vert relié à la terre dans la boîte de la borne.

Ne pas utiliser un câble de rallonge.

Le non-respect de ces instructions peut causer un décès, un incendie ou un choc électrique.

INSTRUCTIONS DE MISE À LA TERRE

■ Pour un lave-vaisselle relié à la terre, branché avec un cordon :

Le lave-vaisselle doit être relié à la terre. En cas d'un mauvais fonctionnement ou d'une panne, la mise à terre réduira le risque d'un choc électrique en fournissant le moins de résistance pour le courant électrique. Le lave-vaisselle est équipé d'un cordon avec un conducteur pour relier les appareils à la terre. La fiche doit être branchée sur une prise appropriée, installée et reliée à la terre conformément aux codes et règlements locaux.

AVERTISSEMENT : La connexion incorrecte du conducteur pour relier les appareils à la terre peut causer le risque de choc électrique. Vérifier avec un électricien compétent ou un représentant de service si vous avez des doutes si le lave-vaisselle est correctement relié à la terre. Ne pas modifier la fiche fournie avec le lave-vaisselle; si elle n'entre pas dans la prise, faire installer une prise appropriée par un électricien compétent.

■ Pour un lave-vaisselle branché en permanence :

Le lave-vaisselle doit être branché à un système d'installation électrique permanent en métal relié à la terre, ou un conducteur pour relier les appareils à la terre doit être relié avec les conducteurs du circuit et branché à une borne pour relier les appareils à la terre ou au cordon d'alimentation électrique avec le lave-vaisselle.

CONSERVEZ CES INSTRUCTIONS

- Installer le lave-vaisselle à l'abri des intempéries. Éviter de l'exposer au gel; cela pourrait entraîner une rupture de l'électrovanne de remplissage. De telles ruptures ne sont pas couvertes par la garantie. Voir la section "Entreposage" pour plus de renseignements sur un entreposage en hiver.
- Effectuer l'installation et le nivellement du lave-vaisselle sur un plancher qui pourra en supporter le poids, et dans un espace adéquat pour ses dimensions et son utilisation.
- Enlever tous les bouchons d'expédition des tuyaux et des raccords (tel que le capuchon sur l'ouverture de vidange) avant l'installation. Voir les instructions d'installation pour des renseignements complets.

QUOI DE NEUF DANS VOTRE LAVE-VAISSELLE

Énergie

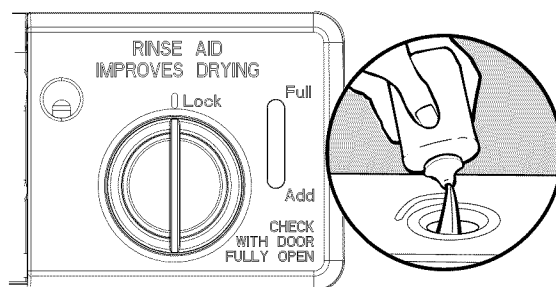
Félicitations pour l'achat de votre lave-vaisselle éconergique à faible consommation d'eau! Pour nettoyer les articles, ce lave-vaisselle asperge la vaisselle d'eau puis fait une pause pour permettre au détergent d'imprégner et de dissoudre les saletés. Les périodes de trempage et de pause prolongent la durée des programmes pour un nettoyage exceptionnel. Les modèles équipés de SmartWash^{®HE} comportent également un capteur optique d'eau. Le capteur optique d'eau détermine le niveau de consommation d'eau et d'énergie optimal pour un meilleur nettoyage. Le calibrage du capteur optique entraînera l'allongement du premier programme qui l'utilise.



Rendement

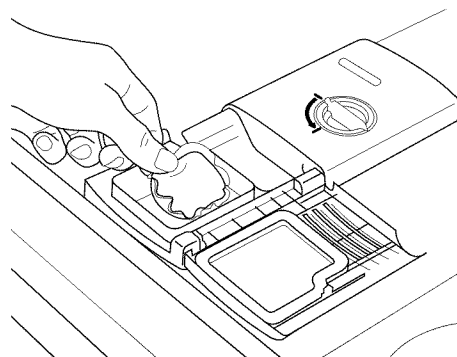
Agent de rinçage

Utiliser un agent de rinçage pour une performance de lavage et de séchage optimale. Afin d'améliorer la performance de séchage et de limiter l'accumulation de dépôts d'eau dure, ce lave-vaisselle est conçu pour être utilisé avec un agent de rinçage. Les lave-vaisselle éconergiques consomment moins d'eau et d'énergie. Ils dépendent donc de l'effet "nappe d'eau" d'un agent de rinçage pour une performance optimale.



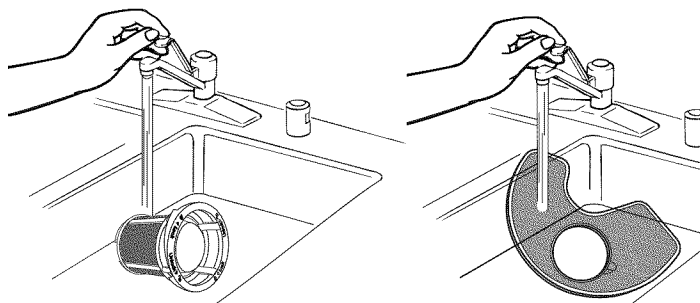
Détergent

Les États-Unis ont voté une restriction limitant la quantité de phosphore (phosphates) présent dans les détergents domestiques pour lave-vaisselle à un maximum de 0,5 %. Avant cette mesure, les détergents en contenaient 8,7 %. Suite à ce changement concernant les détergents, les plus gros fabricants de détergent ont reformulé leurs détergents pour lave-vaisselle, ce qui représente un pas de plus vers la prise de conscience environnementale. En raison de ces récents changements, il est recommandé d'utiliser des pastilles et sachets pour lave-vaisselle qui offrent à la fois un aspect pratique et une meilleure performance.

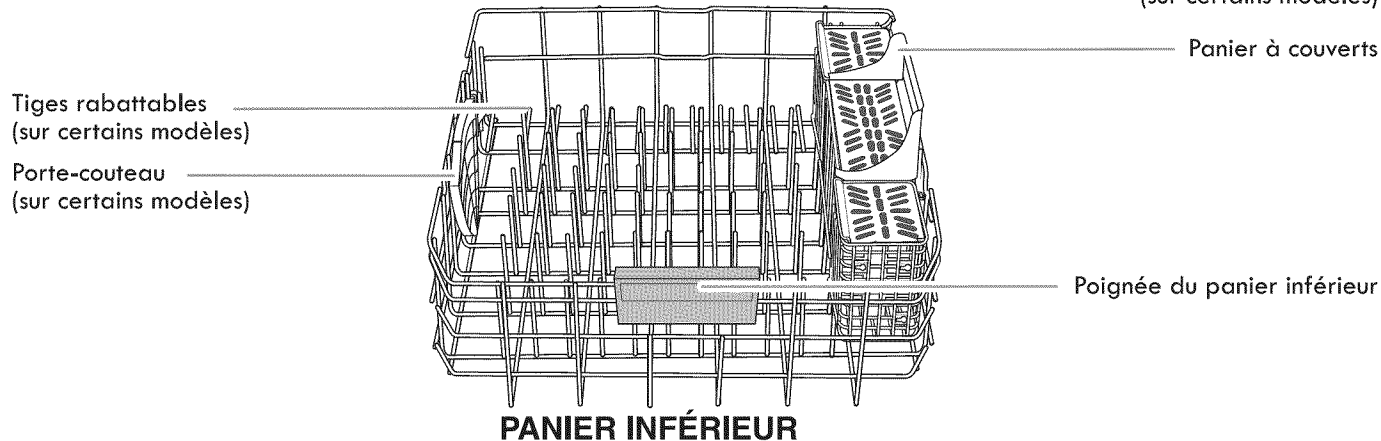
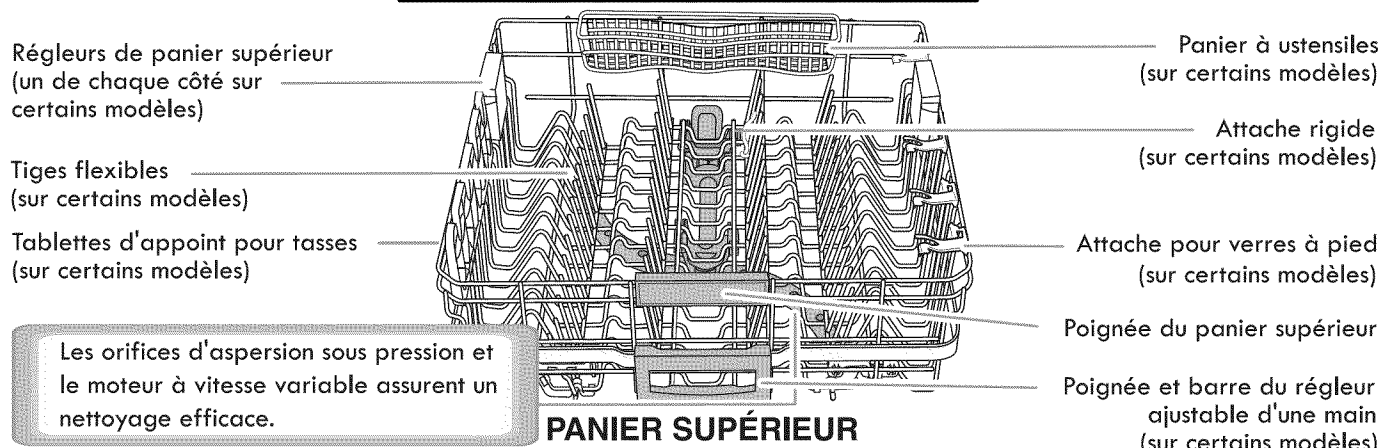
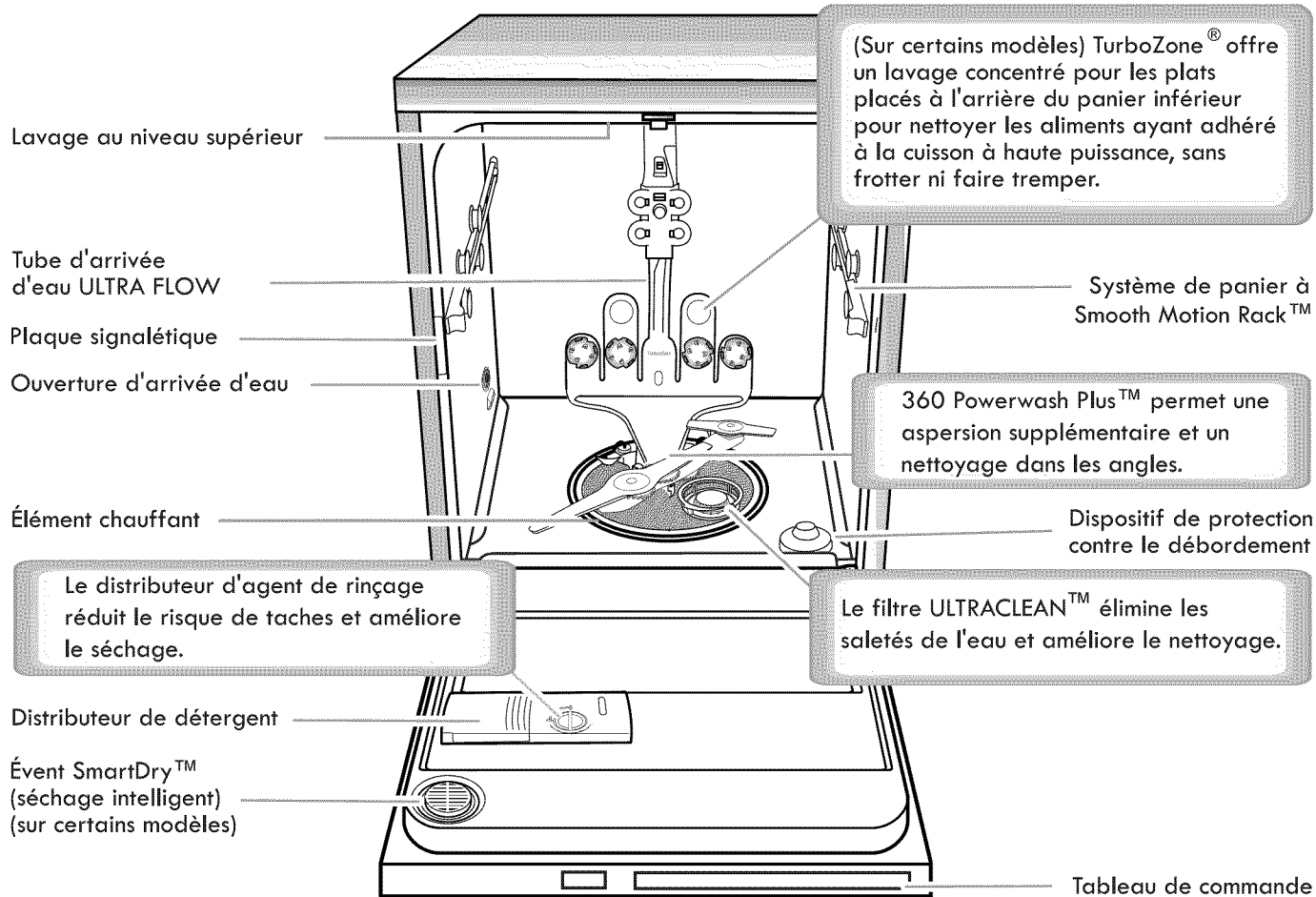


Système de filtration

Ce lave-vaisselle est équipé de la toute dernière technologie en matière de filtration. Ce système de triple filtration minimise le niveau sonore et optimise le niveau de consommation d'eau et d'énergie tout en procurant un nettoyage optimal. Pour un nettoyage optimal, entretenir régulièrement les filtres. Nous vous suggérons de nettoyer les filtres supérieur et inférieur et de rincer le système sous le robinet au moins une fois par mois.



PIÈCES ET CARACTÉRISTIQUES

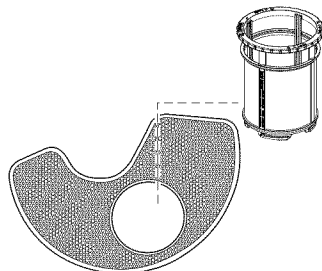


DÉMARRAGE / GUIDE RAPIDE (VARIE SELON LE MODÈLE)

Les filtres amovibles ULTRACLEAN™ offrent une performance de pointe.

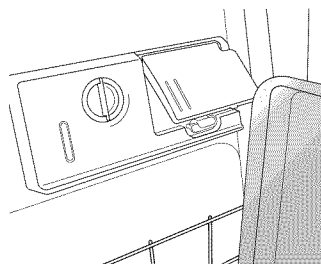
Un nettoyage régulier des filtres permettra au lave-vaisselle de maintenir une performance maximale. Les filtres se trouvent dans le fond du lave-vaisselle, au centre.

Voir "SYSTÈME DE FILTRATION ULTRACLEAN™" pour plus de renseignements sur le retrait et l'entretien des filtres.



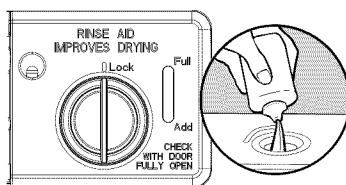
IMPORTANT : Ne pas obstruer le distributeur de détergent.

De grands articles placés dans le panier inférieur pourraient entraver l'ouverture du clapet du distributeur. Des tôles à biscuits ou planches à découper qui seraient chargées sur la gauche peuvent facilement entraver l'ouverture du distributeur. Si l'on remarque du détergent dans le distributeur ou au fond de la cuve après la fin d'un programme, cela signifie que le distributeur était bloqué.



Séchage - L'emploi d'un agent de rinçage est essentiel.

Il faut utiliser un agent de séchage (tel un agent de rinçage) pour obtenir un bon séchage (échantillon fourni). Un agent de rinçage combiné à l'option SmartDry™ offrira une performance de séchage idéale et permettra d'éviter une humidité excessive à l'intérieur du lave-vaisselle.



Smart Dry

Lavage en 1 heure - Pour des résultats rapides.

Les lave-vaisselle à haute efficacité fonctionnent plus longtemps pour économiser de l'eau et de l'énergie, tout comme une vitesse de conduite réduite permet d'économiser du carburant. Pour des résultats rapides, le lavage en 1 heure nettoie votre vaisselle en utilisant légèrement plus d'eau et d'énergie. Pour un meilleur séchage, sélectionner l'option SmartDry™ pour prolonger le temps de séchage.

1 Hour Wash

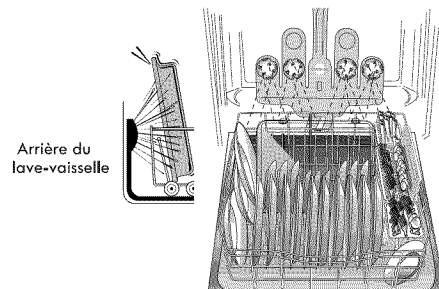
Programme SmartWash® HE

SmartWash® HE fournit des résultats optimaux en utilisant uniquement la quantité d'eau et d'énergie nécessaire. Les programmes SmartWash® HE et Pots & Pans (casseroles et poêles) sont recommandés pour les saletés tenaces.

Smart Wash HE

Chargement TURBOZONE® (sur certains modèles)

Lorsque l'option TURBOZONE® est sélectionnée, elle offre un lavage concentré à l'arrière du panier inférieur pour les plats difficiles à nettoyer. Placer ces plats en orientant la surface sale du plat vers les orifices d'aspersion TURBOZONE® dans le panier inférieur du lave-vaisselle.



Arrière du lave-vaisselle

Turbo Zone

Appuyer sur START/RESUME chaque fois que l'on ajoute un plat.

Pour démarrer ou poursuivre un programme, appuyer sur START/RESUME (mise en marche/reprise) et fermer la porte dans les 3 secondes qui suivent. Si on ne ferme pas la porte dans les 3 secondes qui suivent, la DEL du bouton Start/Resume clignote et le programme ne démarre pas.

IMPORTANT : Si l'on ouvre la porte (par exemple pour ajouter un plat, même pendant le fonctionnement de l'option Delay Hours [mise en marche différée de plusieurs heures]), il faut à chaque fois appuyer sur le bouton Start/Resume et fermer la porte dans les 3 secondes qui suivent pour poursuivre le programme.



Dosage du détergent

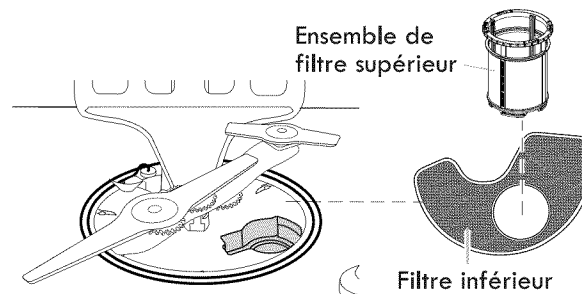
Il est possible que certains utilisateurs emploient trop de détergent dans le lave-vaisselle. Cela peut attaquer les plats. Voir "Détergent et agent de rinçage" pour déterminer la quantité de détergent nécessaire en fonction de la dureté de l'eau. Il est prouvé que les détergents en pastilles ou en sachets réduisent plus efficacement la formation de pellicule sur la vaisselle que les détergents liquides, en poudre ou en gel.

SYSTÈME DE FILTRATION ULTRACLEAN™

Ce lave-vaisselle est équipé de la toute dernière technologie en matière de filtration. Ce système de triple filtration minimise le niveau sonore et optimise le niveau de consommation d'eau et d'énergie tout en offrant une performance de nettoyage supérieure. Le filtre doit être entretenu tout au long de la durée de vie du lave-vaisselle pour pouvoir continuer à fonctionner au mieux de sa performance.

Le système de triple filtre comporte 2 parties, un filtre supérieur et un filtre inférieur.

- Le filtre supérieur permet de tenir des articles surdimensionnés ou des objets étrangers ainsi que les particules très fines à l'écart de la pompe.
- Le filtre inférieur empêche les aliments de se redéposer sur la vaisselle.



Pour une performance de nettoyage optimale, nous suggérons d'entretenir le filtre tous les mois en retirant et en inspectant les filtres inférieur et supérieur pour vérifier leur état de saleté. En fonction de la fréquence d'utilisation du lave-vaisselle, la fréquence de nettoyage des filtres peut différer de celle indiquée sur le tableau ci-dessous.

Les filtres devront peut-être être nettoyés lorsque :

- On remarque des objets ou saletés sur le filtre supérieur.
- La performance de nettoyage se dégrade (c.-à-d. présence de saletés sur les plats).
- Les plats sont rugueux au toucher.

Le retrait et l'entretien des filtres est très facile. Le tableau ci-dessous indique la fréquence de nettoyage recommandée.

Intervalle de nettoyage recommandés pour le nettoyage du filtre.

Nombre de charges par semaine	Si vous lavez avant le chargement	Si vous grattez et rincez les plats avant le chargement	Si vous vous contentez de gratter les plats avant le chargement*	Si vous ne grattez ou ne rincez pas les plats avant le chargement
8-12	Une fois par an	Tous les quatre mois	Tous les deux mois	Toutes les deux semaines
4-7	Une fois par an	Une fois par an	Tous les quatre mois	Une fois par mois
1-3	Une fois par an	Une fois par an	Deux fois par an	Tous les deux mois

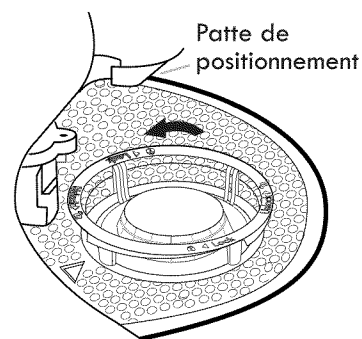
*Conseil du fabricant : Ceci permet d'économiser l'eau et l'énergie utilisées pour la préparation des plats. Cela vous épargne également du temps et des efforts.

Eau très dure

Si l'eau du domicile est très dure (au-delà de 15 grains), nettoyer le filtre au moins une fois par mois. L'accumulation de résidus blancs sur les surfaces du lave-vaisselle est le signe d'une eau dure. Vous pouvez apporter des échantillons d'eau à Sears pour contrôler le degré de dureté de l'eau du domicile. Pour des conseils sur l'élimination des taches, voir la section "Dépannage".

Instructions de retrait du filtre

1. Tourner le filtre supérieur d'un quart de tour dans le sens antihoraire et le soulever.
2. Saisir le filtre inférieur situé dans l'ouverture circulaire, le soulever légèrement et le tirer vers l'avant pour le retirer.
3. Nettoyer les filtres tel qu'indiqué ci-dessous.

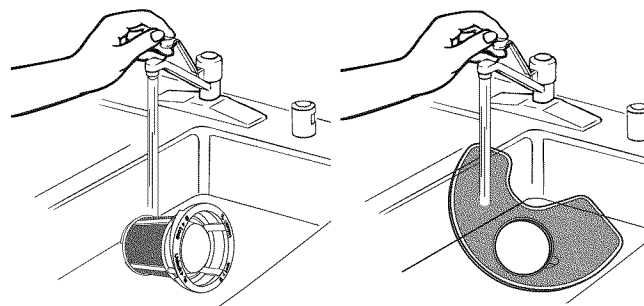


Retrait du filtre supérieur

Instructions de nettoyage

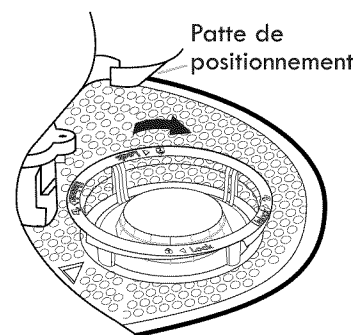
IMPORTANT : Ne pas utiliser de brosse métallique, de tampon à récurer, ou d'objets similaires car ils peuvent endommager les filtres.

Rincer le filtre sous l'eau courante jusqu'à ce que la plupart des saletés soient éliminées. Si l'on remarque la présence de saletés difficiles à retirer ou de dépôts de calcaire causés par l'eau dure, l'emploi d'une brosse douce sera peut-être nécessaire.



Instructions de réinstallation du filtre

1. En s'aidant des illustrations précédentes, placer le filtre inférieur sous les onglets de positionnement situés au fond du lave-vaisselle de sorte que l'ouverture circulaire du filtre supérieur soit alignée avec l'ouverture circulaire du fond de la cuve.
2. Insérer le filtre supérieur dans l'ouverture circulaire du filtre inférieur.
3. Faire pivoter lentement le filtre dans le sens horaire jusqu'à ce qu'il s'insère dans le logement. Continuer à faire pivoter le filtre jusqu'à ce qu'il s'emboîte. Si le filtre n'est pas complètement installé (continue de tourner librement), continuer à tourner le filtre dans le sens horaire jusqu'à ce qu'il s'insère dans le logement et s'emboîte.



Réinstallation du filtre supérieur

IMPORTANT : Afin d'éviter d'endommager le lave-vaisselle, ne pas le faire fonctionner sans que les filtres ULTRACLEAN™ ne soient correctement installés. S'assurer que le filtre inférieur est bien en place et que le filtre supérieur est bien emboîté. Si le filtre supérieur tourne librement, cela signifie qu'il n'est pas bien emboîté.

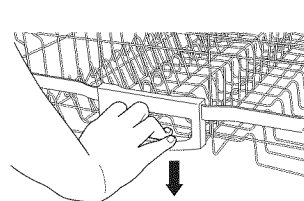
360 POWERWASH PLUS™

Le système 360 Powerwash Plus™ offre une technologie de nettoyage avancée avec une distribution optimale de l'eau. Cette technologie permet aux bras d'aspersion de tourner dans les deux sens tout en détectant si d'autres articles empêchent le bras d'aspersion de tourner. Lorsque le fonctionnement des bras d'aspersion est entravé, le système le détecte et force le bras d'aspersion à tourner dans le sens opposé pour que la vaisselle soit complètement aspergée d'eau.

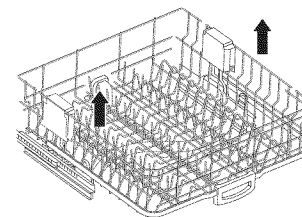
RÉGLEUR AJUSTABLE D'UNE MAIN

Pour ajuster la hauteur du panier supérieur à l'aide du régleur ajustable d'une main :

1. Retirer complètement le panier supérieur du lave-vaisselle. S'assurer que le panier inférieur est complètement enfoncé dans le lave-vaisselle.
2. Appuyer sur la poignée jusqu'à la butée d'arrêt. 2 déclics retentissent. Cela permet de s'assurer que les deux côtés du panier sont emboîtés.
3. Relâcher la poignée.
4. Pour régler à nouveau la hauteur du panier supérieur, répéter les étapes 1 à 3.



Réglage de la hauteur du panier



Nivellement du panier

Remarque : Si un côté du panier est incliné vers le bas, redresser ce côté. Un déclic retentit lorsque le panier revient à l'horizontale.

CONSEILS D'EFFICACITÉ POUR LE LAVE-VAISSELLE

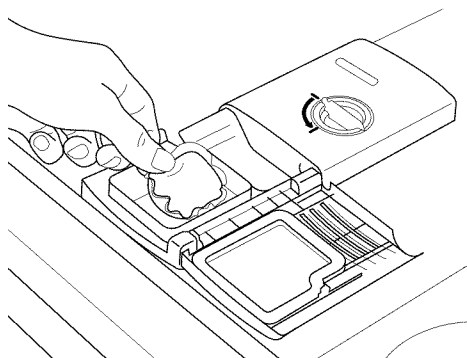
L'eau chaude dissout et active le détergent pour lave-vaisselle. L'eau chaude dissout également la graisse sur la vaisselle et contribue au séchage des verres sans taches. Pour obtenir de meilleurs résultats de lavage, l'eau doit être à 120°F (49°C) à son entrée dans le lave-vaisselle. Les charges peuvent ne pas être lavées aussi bien si la température de l'eau est trop basse.

Conseils d'efficacité supplémentaires

- Pour économiser de l'eau, de l'énergie et du temps, se contenter de gratter la vaisselle. Ne pas rincer les plats avant de les placer dans le lave-vaisselle.
- Utiliser une caractéristique de mise en marche différée pour faire fonctionner le lave-vaisselle en dehors des heures de pointe. Les services publics locaux recommandent d'éviter l'emploi intense d'énergie à certaines heures de la journée.
- Pendant l'été, faire fonctionner le lave-vaisselle la nuit. Cela permet de réduire l'accumulation de chaleur dans la cuisine pendant la journée.
- Utiliser un agent de rinçage pour améliorer le séchage.

DÉTERGENT ET AGENT DE RINÇAGE

Détergent



REMARQUE : Si vous n'avez pas l'intention d'effectuer un programme de lavage dans l'immédiat, exécuter un programme de rinçage. Ne pas utiliser de détergent.

- Utiliser uniquement du détergent pour lave-vaisselle automatique. Verser le détergent en poudre, liquide ou en pastille juste avant de démarrer un programme.
- Pour de meilleurs résultats de lavage, il est recommandé d'utiliser un détergent à lave-vaisselle automatique frais. Conserver le récipient du détergent bien fermé dans un lieu sec et frais.

Détergents pré-mesurés

Beaucoup de détergents sont vendus en format pré-mesuré (sachets de gel, pastilles ou sachets de poudre). Ces formats sont idéaux quelle que soit la dureté de l'eau et le niveau de saleté. Toujours placer les détergents pré-mesurés dans le compartiment principal et fermer le couvercle.

Il est prouvé que les détergents pour lave-vaisselle en pastilles ou en sachets réduisent plus efficacement la formation de pellicule sur la vaisselle que les détergents liquides, en poudre ou en gel. Grâce à l'utilisation régulière de pastilles et sachets, la pellicule blanche commencera à diminuer ou à disparaître. L'utilisation d'un agent de rinçage peut aussi vous aider à réduire la fréquence de formation de cette pellicule blanche.

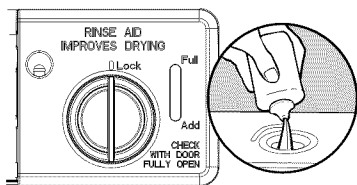
Produits sous forme de poudre ou de gel

Dureté de l'eau	Niveau de saleté	Compartiment de pré-lavage	Compartiment de lavage principal
Eau douce (0 à 4 grains par gallon U.S.)	Léger	Aucun	1/2
	Normal	Aucun	1/2
	Important	Complet	1/2
Moyenne (5 à 9 grains par gallon U.S.)	Léger	Aucun	1/2
	Normal	1/2	1/2
	Important	Complet*	Complet*
Eau dure (10 à 14 grains par gallon U.S.)	Léger	1/2	Complet*
	Normal	Complet*	Complet*
	Important	Complet*	Complet*

*La capacité du compartiment de pré-lavage est de 7 cuillerées à thé (35 mL) et celle du compartiment de lavage principal de 9 cuillerées à thé (45 mL).

IMPORTANT : Les dépôts minéraux provenant d'une eau très dure (au moins 15 grains par gallon U.S.) peuvent endommager le lave-vaisselle et rendre un bon nettoyage difficile. On recommande l'emploi d'un adoucisseur d'eau pour éviter tout dommage et obtenir de bons résultats. Vous pouvez apporter des échantillons d'eau à Sears pour contrôler le degré de dureté de votre eau.

Agent de rinçage



IMPORTANT : Le lave-vaisselle est conçu pour utiliser un agent de rinçage liquide. L'utilisation d'agents de rinçage améliore nettement le séchage en permettant à l'eau de s'écouler de la vaisselle après le rinçage final. Ils empêchent aussi l'eau de former des gouttelettes qui peuvent laisser des taches ou des coulées en séchant.

Remplissage du distributeur

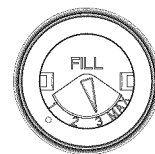
La capacité du distributeur d'agent de rinçage est de 5 oz (150 mL). Dans la plupart des cas, cette quantité devrait durer entre 1 à 3 mois.

1. Tourner le bouton à la position REFILL (remplissage) et le retirer.
2. Verser l'agent de rinçage dans l'ouverture jusqu'à ce que l'indicateur soit sur FULL (plein). Ne pas remplir excessivement.
3. Nettoyer les éventuelles coulées d'agent de rinçage. Des coulées d'agent de rinçage peuvent entraîner une production excessive de mousse.
4. Réinstaller le bouton et le tourner à la position LOCK (verrouillage).

REMARQUE : L'indicateur indiquera le niveau de remplissage correct lorsque la porte est complètement ouverte.

Réglage de la quantité d'agent de rinçage

Le distributeur d'agent de rinçage est réglable. Pour la plupart des types d'eau, le réglage effectué à l'usine donne de bons résultats. Si l'eau utilisée est dure et si l'on observe des dépôts calcaires sur la vaisselle, essayer un réglage plus élevé. Si l'on remarque de la mousse dans le lave-vaisselle, utiliser un réglage inférieur.



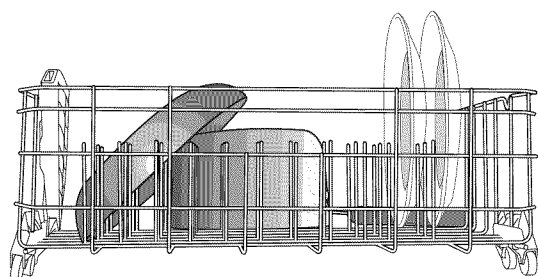
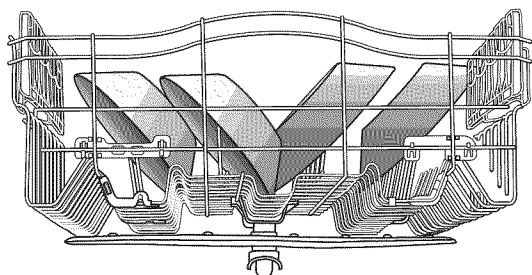
Ajustement du réglage

1. Tourner le bouton à la position REFILL (remplissage) et le retirer.
2. Pointer la flèche à l'intérieur du distributeur sur le réglage désiré.
3. Réinstaller le bouton et le tourner à la position LOCK (verrouillage).

CHARGEMENT

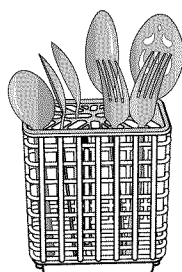
Chargement pour un nettoyage et un séchage idéaux

1. Orienter les surfaces les plus sales vers le bas et laisser suffisamment d'espace entre les articles pour que l'eau puisse circuler entre chaque panier et entre les plats.



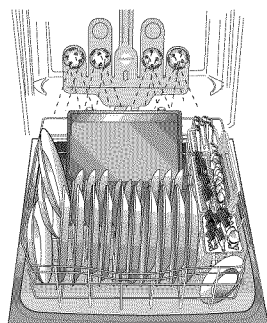
Le fait de distancer les articles permet à l'eau de circuler.

2. Pour un meilleur nettoyage des couverts, utiliser les encoches des couvercles pour séparer les articles.



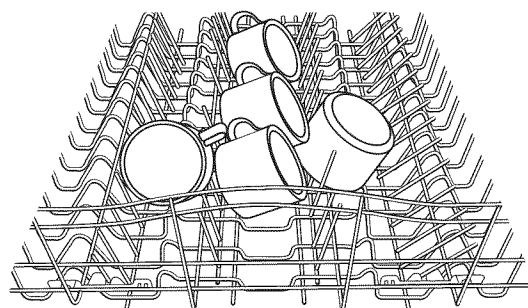
Séparés

3. Utiliser l'option TURBOZONE® (sur certains modèles) pour les articles les plus sales en les orientant vers la partie inférieure arrière.



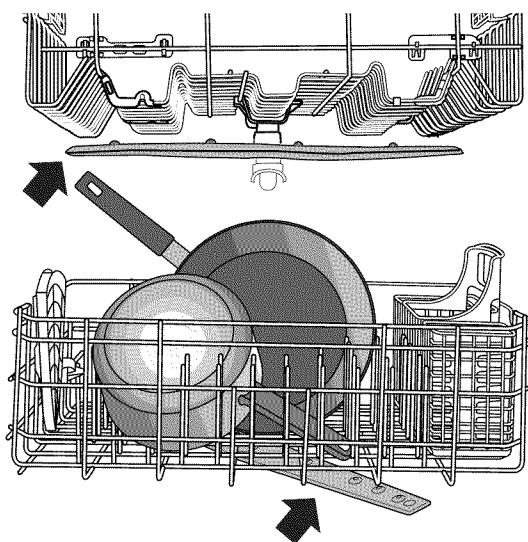
Saleté orientée vers les jets d'aspersion TURBOZONE®

4. Incliner les surfaces creuses tels les fonds de tasses de café pour permettre à l'eau de s'écouler et pour améliorer les résultats de séchage.

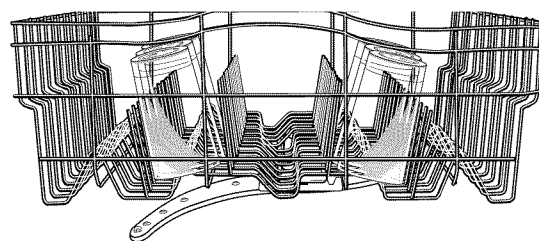


Surfaces inclinées

5. Vérifier que le bras d'aspersion supérieur tourne librement avant chaque programme. S'assurer que rien n'entrave le mouvement du bras d'aspersion inférieur.



6. Placer les tasses et les verres dans les rangées entre les tiges.

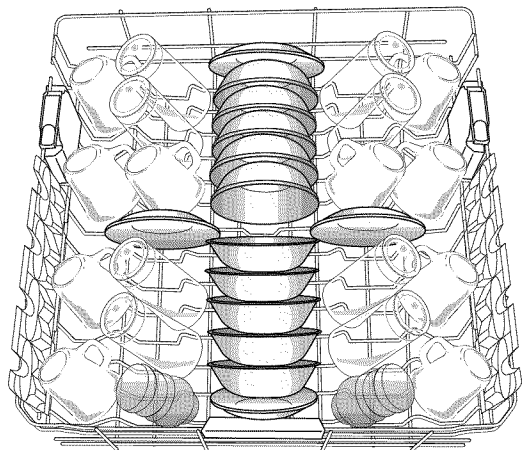


Chargement du panier supérieur

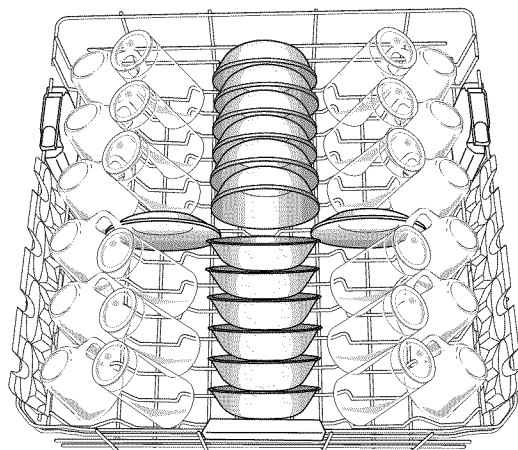
Recommandations concernant le chargement

Placer les tasses et verres dans les rangées entre les tiges. Le fait de placer ces articles sur les tiges peut entraîner des dommages et l'apparition de taches d'eau. Pour éviter d'endommager les articles délicats comme les articles en porcelaine, en cristal, les verres à pied ou autres articles similaires, veiller à ce qu'ils ne se touchent pas pendant le fonctionnement du lave-vaisselle.

Charger les articles en plastique légers et lavables au lave-vaisselle uniquement dans le panier supérieur.



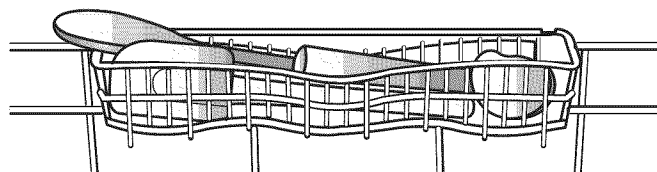
Disposition pour 10 couverts



Disposition pour 12 couverts

Panier à ustensiles (sur certains modèles)

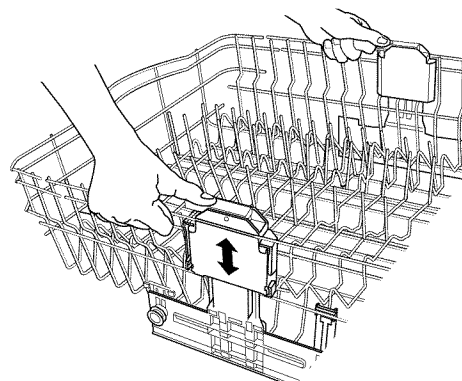
Placer dans ce panier grande capacité fixé à l'arrière du panier supérieur les spatules, cuillers en bois et articles similaires. Le panier à ustensiles peut être retiré pour libérer de l'espace supplémentaire - il suffit de retirer les attaches fixées au panier.



Panier de luxe réglable à 2 positions (sur certains modèles)

Il est possible d'élever ou d'abaisser le panier supérieur pour charger de grands articles dans le panier supérieur ou inférieur. Des régleurs sont situés de chaque côté du panier supérieur. Élever le panier supérieur pour pouvoir charger des articles d'une hauteur maximale de 9" (22 cm) dans le panier supérieur et 13" (33 cm) dans le panier inférieur, ou abaisser le panier supérieur pour charger des articles d'une hauteur maximale de 11" (28 cm) dans les paniers supérieur et inférieur.

1. Pour élever le panier, le soulever jusqu'à ce que les deux côtés se trouvent à la même hauteur et s'emboîtent.
2. Pour l'abaisser, appuyer sur les deux onglets des régleurs de panier (voir l'illustration) et abaisser le panier.

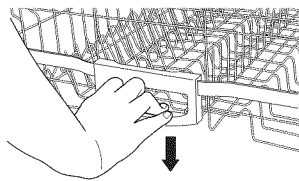


Régleur ajustable d'une main

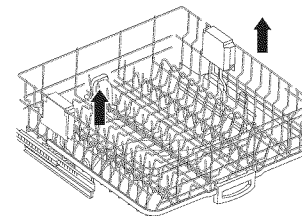
Pour ajuster la hauteur du panier supérieur à l'aide du régleur ajustable d'une main :

1. Retirer complètement le panier supérieur du lave-vaisselle. S'assurer que le panier inférieur est complètement enfoncé dans le lave-vaisselle.
2. Appuyer sur la poignée jusqu'à la butée d'arrêt. 2 déclics se font entendre. Cela permet de s'assurer que les deux côtés du panier sont emboîtés.
3. Relâcher la poignée.
4. Pour régler à nouveau la hauteur du panier supérieur, répéter les étapes 1 - 3.

Remarque : Si un côté du panier est incliné vers le bas, redresser ce côté. Un déclic retentit lorsque le panier revient à l'horizontale.



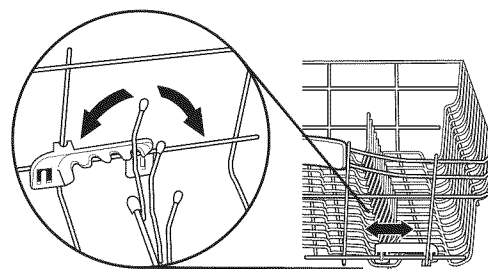
Réglage de la hauteur du panier



Nivellement du panier

Tiges flexibles

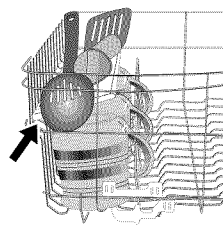
La rangée de tiges de chaque côté du panier supérieur peut être réglée pour faire de la place pour divers articles de vaisselle.



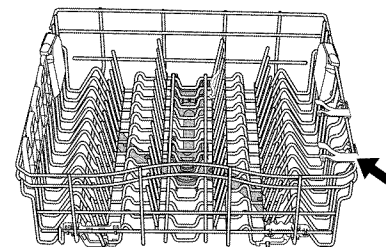
Tablettes d'appoint pour tasses et attaches pour verres à pied (sur certains modèles)

Rabattre la tablette supplémentaire sur un côté du panier supérieur pour y placer des tasses ou de longs articles supplémentaires tels des ustensiles ou des spatules.

Utiliser les attaches pour fixer les verres à pied.



Tablettes d'appoint pour tasses



Attaches pour verres à pied

Panier supérieur amovible (Smooth Motion Rack™)

Le panier supérieur amovible permet de laver des articles plus grands tels que casseroles, rôtissoires et tôles à biscuits, dans le panier inférieur.

IMPORTANT : Retirer la vaisselle avant de retirer le panier supérieur du lave-vaisselle.

Pour enlever le panier :

Pour accéder aux butées de glissières amovibles, tirer le panier supérieur vers l'avant pour l'extraire de la cuve de presque la moitié.

D'un côté, appuyer sur l'onglet de la glissière et tirer l'avant du panier hors des glissières. Répéter ensuite cette étape de l'autre côté pour retirer complètement l'avant du panier.

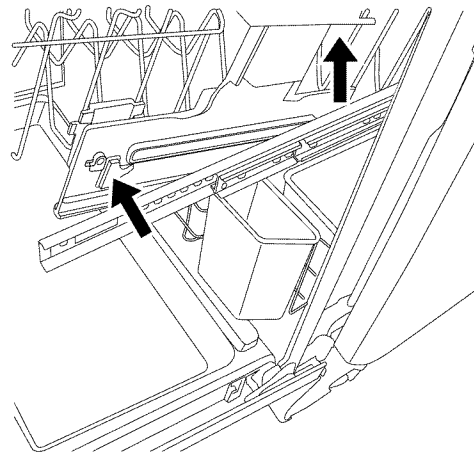
Retirer alors l'arrière du panier en le tirant légèrement vers l'avant puis vers le haut.

Pour réinstaller le panier :

Tirer les glissières vers l'avant pour les extraire de la cuve de presque la moitié.

Les côtés des paniers comportent des onglets de fixation arrondis. Aligner les onglets de fixation de l'arrière du panier avec l'ouverture de la glissière. Emboîter les deux éléments.

Extraire complètement les glissières et aligner les onglets de fixation de l'avant du panier avec l'ouverture de la glissière. Emboîter les deux éléments. Un claquement indique que l'avant du panier est correctement en place de chaque côté.



Dépose

Chargement du panier inférieur

Recommandations concernant le chargement

Le panier inférieur est idéal pour les assiettes, casseroles, plats pour mets en sauce et ustensiles. Voir les modèles de chargement recommandés dans les illustrations.

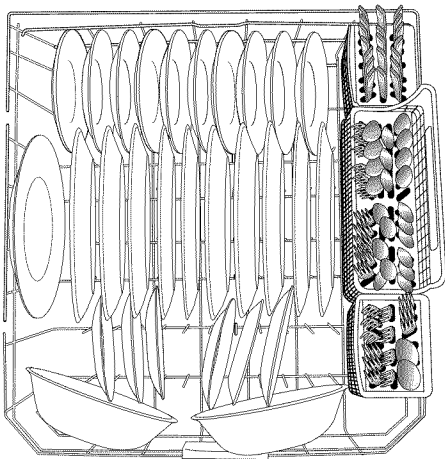
Ne charger de petits articles dans le panier inférieur que s'ils sont bien calés.

Charger les assiettes, bols à soupe, etc. entre les tiges.

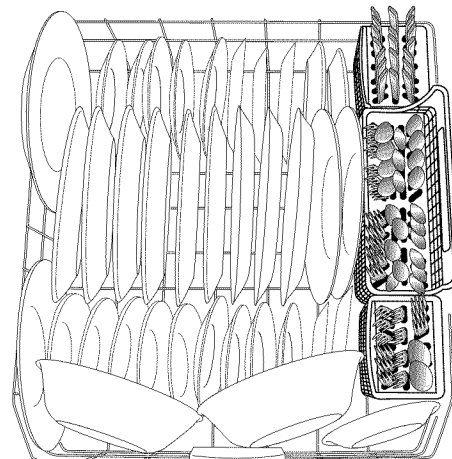
Charger les bols solidement entre les rangées de tiges. S'assurer que les plats sont espacés de manière à ce que le jet d'aspersion puisse atteindre toutes les surfaces.

Charger les articles très sales en les orientant vers le jet d'aspersion.

REMARQUE : S'assurer que le distributeur de détergent n'est pas obstrué par de grands articles telles des tôles à biscuits ou des planches à découper placées sur le côté avant-gauche du panier. Voir la section "Démarrage / guide rapide".



Disposition pour 10 couverts



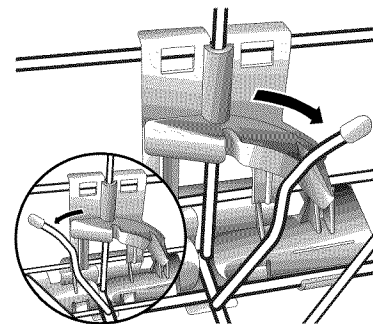
Disposition pour 12 couverts

Tiges rabattables (sur certains modèles)

Il est possible de rabattre une rangée de tiges à l'arrière du panier inférieur pour libérer de la place pour des plats de plus grande taille.

Garder cette rangée de tiges inclinée à 60° lorsqu'on utilise l'option TURBOZONE® (sur certains modèles).

IMPORTANT : Lorsqu'on rabat une rangée de tiges, replier uniquement la rangée de tiges vers l'avant du lave-vaisselle.

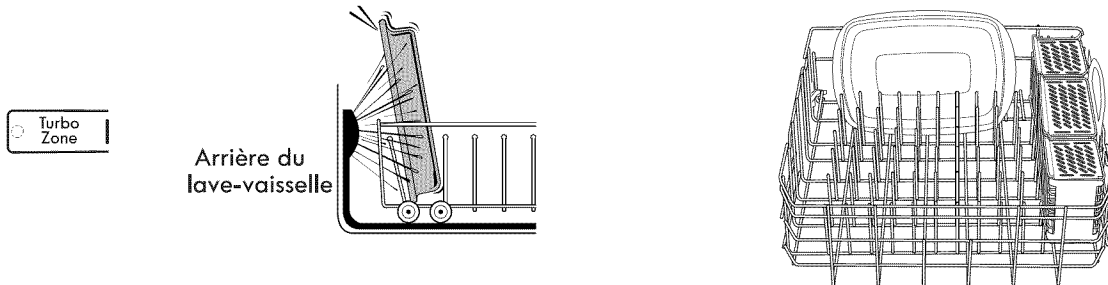


Chargement TURBOZONE® (sur certains modèles)

IMPORTANT : Pour une performance idéale, seule une rangée d'articles doit être orientée face aux jets d'aspersion TURBOZONE®. Pour utiliser cette option de lavage, l'option de lavage TURBOZONE® doit être sélectionnée.

Charger les poêles, plats à mets en sauce, etc., en orientant les surfaces sales vers les jets d'aspersion TURBOZONE®. La zone de lavage TURBOZONE® se trouve à l'arrière du panier à vaisselle inférieur.

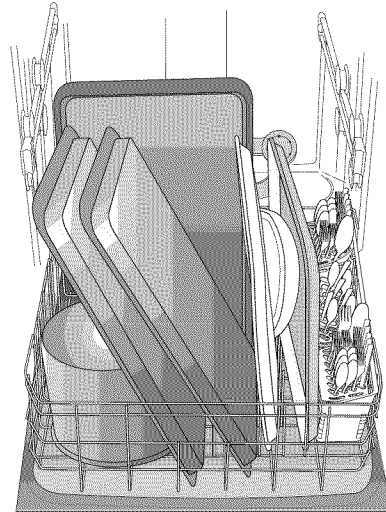
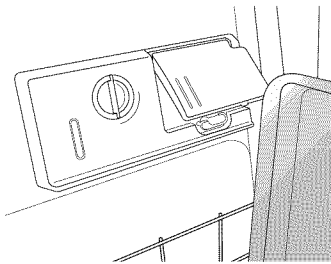
Placer la rangée de tiges rabattable à un angle de 60° lorsqu'on utilise l'option TurboZone® (sur certains modèles).



Chargement de grands articles

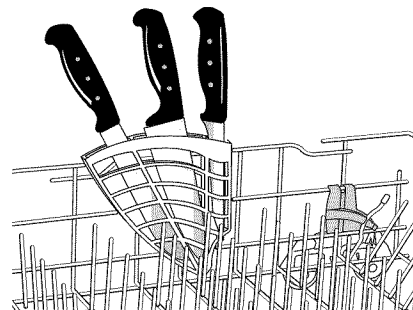
Il est possible de laver des articles plus grands tels que casseroles, rôtissoires ou tôles à biscuits dans le panier inférieur en retirant le panier supérieur. Voir la section "Chargement du panier supérieur".

IMPORTANT : Ne pas obstruer le distributeur de détergent.



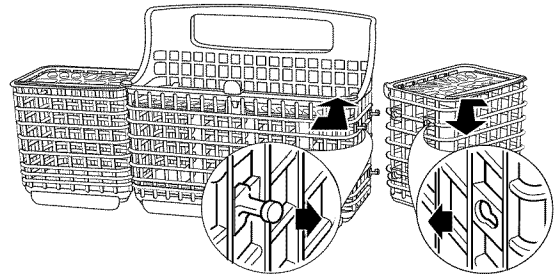
Porte-couteau (sur certains modèles)

Pour charger des couteaux trop grands pour le panier à couverts, utiliser le porte-couteau situé sur la gauche du panier inférieur. Placer les couteaux dans le porte-couteaux tel qu'indiqué.



Panier à couverts divisible (sur certains modèles)

Le nouveau panier à couvert peut se diviser en trois sections.
Retirer une section pour augmenter la capacité de chargement dans la zone de chargement TurboZone® (sur certains modèles).
On peut retirer les paniers latéraux fermés pour les placer dans le panier supérieur. À utiliser pour les petits articles délicats tels les bouchons de biberons, les tétines et les petits ustensiles de cuisson, etc.

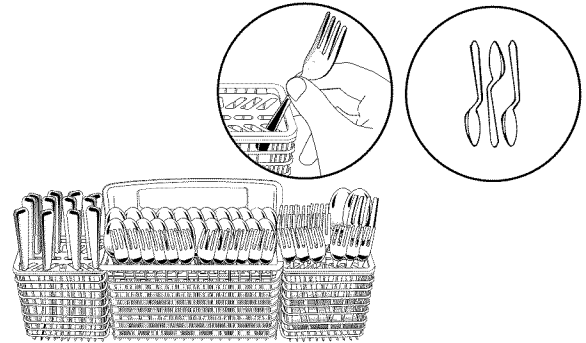


Chargement des couverts

Utiliser les modèles de chargement suggérés (voir les illustrations) pour améliorer le nettoyage des couverts.

Utiliser les encoches des couvercles pour séparer les couverts et obtenir un lavage optimal (voir l'illustration à droite).

REMARQUE : Si les couverts ne conviennent pas aux encoches prévues, relever les couvercles et mélanger les types de couverts pour les tenir séparés. Pour un lavage idéal, charger les couteaux vers le bas, les fourchettes vers le haut et alterner la position des cuillers tel qu'illustré.



UTILISATION DU LAVE-VAISSELLE

Informations sur les programmes et les options (sur certains modèles)



Programmes	Niveau de saleté	Durées* (min) sans options		Consommation d'eau Gallons (litres)
		Normal**	Max	
Programme SmartWash[®] HE <p>Programme le plus avancé et le plus polyvalent. Ce programme détecte la taille de la charge, la quantité de saletés et l'adhérence des saletés. Ce programme est optimisé pour atteindre un nettoyage maximal avec un minimum d'eau et d'énergie.</p>	Léger à modéré	110	150	4,0 (15,0)
	Difficile/Adhérent aux surfaces après cuisson	125	190	5,0 (19,0)
	Important	125	190	7,7 (29,0)
Pots & Pans (casseroles et poêles) <p>Idéal pour les articles les plus difficiles à nettoyer tels les plats à mets en sauce comportant des résidus alimentaires ayant adhéré à la cuisson. Utiliser avec l'option TURBOZONE[®] (sur certains modèles) pour le nettoyage idéal des saletés ayant adhéré à la cuisson.</p>	Saleté importante/adhérent aux surfaces après cuisson	140	205	8,2 (31,0)
Normal Wash (lavage normal) <p>Ce programme est recommandé pour laver une charge complète de vaisselle présentant un degré de saleté normal. L'étiquette de consommation d'énergie est basée sur ce programme.</p>	Léger à modéré	110	150	2,8 - 4,0 (10,5 - 15,0)
	Heavy (intense)	125	190	7,7 (29,0)
China Gentle (porcelaine-programme délicat) (sur certains modèles) <p>Offre un programme de lavage léger et un séchage en douceur pour les articles délicats comme la porcelaine/le cristal.</p>	Léger à modéré	105	145	2,8 - 4,0 (10,5 - 15,0)
	Heavy (intense)	120	185	7,7 (29,0)
Quick Rinse (rinçage rapide) <p>Utiliser ce programme pour rincer la vaisselle, les verres et les couverts qui ne seront pas lavés immédiatement. Ne pas utiliser de détergent.</p>	Tous les niveaux de saleté	17	20	2,1 (8,0)

<p>1 Hour Wash (lavage 1 heure)</p> <p>Pour économiser de l'eau et de l'énergie, les lave-vaisselle à haute efficacité utilisent une filtration avancée, ce qui peut entraîner un allongement des durées de programme (plus de 2 heures dans certains cas). Pour des résultats rapides, le programme de lavage en 1 heure nettoie la vaisselle en utilisant légèrement plus d'eau et d'énergie. Pour un meilleur séchage, sélectionner l'option SmartDry™. Le programme 1 Hour Wash est optimisé et aucune option n'est nécessaire.</p>	Tous les niveaux de saleté	58	64	6,2 (23,5)
--	----------------------------	----	----	---------------

*L'ajout d'options augmentera la durée du programme. Voir la section d'information sur les options.

**Durée de programme approximative obtenue avec de l'eau chaude à 120°F (49°C) fournie au lave-vaisselle. Si les durées sont plus longues, cela signifie que l'eau d'arrivée est moins chaude.

Options	Peut être sélectionné avec	Description	Durée supplémentaire du programme		Eau ajoutée† - Gallons (litres)
			Typique	Max	
<p>Option TURBOZONE® (sur certains modèles)</p> <p>Asperge tous les recoins pour supprimer la nécessité de faire tremper ou de frotter les plats sales qui comportent des résidus ayant adhéré à la cuisson. Pour les articles les plus difficiles à nettoyer, utiliser l'option TURBOZONE® avec le programme Pots & Pans (casserolles et poêles). Voir les informations sur le chargement.</p>	<p>SmartWash®^{HE} Pots & Pans (casserolles et poêles) Normal Wash (lavage normal)</p>	Dirige toute la puissance de lavage du lave-vaisselle vers la zone TURBOZONE® durant certaines périodes du programme de lavage.	53	73	0 - 3,0 (0 - 11,4)
<p>Température élevée</p> <p>Augmente la température de lavage principal pour améliorer le nettoyage. Lorsque cette option est utilisée avec le programme Normal Wash (lavage normal), la capacité de nettoyage augmente légèrement, mais pas autant qu'avec le programme Pots & Pans.</p>	<p>SmartWash®^{HE} Pots & Pans (casserolles et poêles) Normal Wash (lavage normal)</p>	Fait passer la température du lavage principal de 120°F (49°C) à 140°F (60°C).	22	40	0 - 3,0 (0 - 11,4)
<p>Sani Rinse (rinçage sanitaire)</p> <p>Cette option de rinçage à haute température assainit la vaisselle et la verrerie conformément à la norme 184 NSF/ANSI pour lave-vaisselle résidentiels. Les lave-vaisselle à usage domestique certifiés ne sont pas destinés aux établissements alimentaires autorisés. À la fin du programme, le témoin Sani Rinse (rinçage avec assainissement) indique si l'option Sani Rinse a fonctionné correctement. Si le témoin ne s'active pas, cela est probablement dû au fait que le programme a été interrompu.</p>	<p>SmartWash®^{HE} Pots & Pans (casserolles et poêles) Normal Wash (lavage normal)</p>	Fait passer la température du lavage principal de 120°F (49°C) à 140°F (60°C) et celle du rinçage final de 140°F (60°C) à 155°F (68°C).	53	73	0 - 3,0 (0 - 11,4)

<p>Panier supérieur uniquement</p> <p>Pour plus de commodité, utiliser cette option pour nettoyer une petite quantité de vaisselle dans le panier supérieur pour aider à maintenir la cuisine constamment propre.</p>	<p>Disponible pour tous les programmes Ne peut pas être utilisé avec l'option TURBOZONE®</p>	<p>Lavage légèrement plus rapide pour les petites charges</p>	<p>-7</p>	<p>-30</p>	<p>0</p>
<p>SmartDry™</p> <p>Active l'élément de chauffage et le supplément ventilateur à la fin du programme de lavage. Pour un meilleur séchage, utiliser de l'agent de rinçage avec ou sans l'option SmartDry™. Les articles en plastique sont moins susceptibles de se déformer si on les place dans le panier à vaisselle supérieur.</p>	<p>Disponible pour tous les programmes, sauf Quick Rinse (rinçage rapide)</p>	<p>Active l'élément de chauffage à la fin du programme de lavage.</p>	<p>44</p>	<p>51</p>	<p>0</p>

† La durée et la consommation d'eau d'un programme (tel qu'indiquées dans le tableau ci-dessus) restent identiques (n'ont pas d'effet cumulatif) même si l'on sélectionne plusieurs options en même temps.

Section module de commande du lave-vaisselle

Delay Hours (mise en marche différée de plusieurs heures) (sur certains modèles)

Utiliser cette option pour faire fonctionner le lave-vaisselle en dehors des heures de pointe. Les fournisseurs d'électricité locaux recommandent de limiter la consommation d'énergie aux périodes situées en dehors des heures de pointe autant que possible.

Pour différer la mise en marche :

1. Choisir un programme de lavage et des options.
2. Appuyer sur le bouton de mise en marche différée de 1 à 12 heures pour choisir le nombre d'heures dont on souhaite différer la mise en marche.
3. Appuyer sur START/RESUME (mise en marche/reprise).

REMARQUE : Chaque fois que l'on ouvre la porte pendant plus de 5 secondes (pour ajouter un plat, par exemple), il faut de nouveau appuyer sur le bouton Start/Resume pour que le compte à rebours reprenne.

Option verrouillage des commandes

Activer le verrouillage des commandes pour prévenir l'utilisation non intentionnelle du lave-vaisselle entre les programmes. Lorsque l'indicateur Lock On (verrouillage) est allumé, tous les boutons sont désactivés. Il reste possible d'ouvrir/de fermer la porte du lave-vaisselle lorsque les commandes sont verrouillées.

Activation du verrouillage des commandes :

Appuyer sur la touche TOP RACK ONLY (panier supérieur uniquement) pendant 3 secondes. Un message confirmant que les commandes sont verrouillées s'affiche sur l'écran ACL. Si l'on appuie sur une touche alors que le lave-vaisselle est verrouillé, un message indiquant que les commandes sont verrouillées s'affiche sur l'écran ACL.

REMARQUE : Le lave-vaisselle ne peut pas démarrer si le module de commande est verrouillé.

Désactivation du verrouillage des commandes

REMARQUE : Avant de pouvoir désactiver le verrouillage des commandes, il faudra peut-être désactiver le mode de veille - soit en appuyant sur START/RESUME (mise en marche/reprise) ou CANCEL/DRAIN (annulation/vidange), soit en ouvrant puis refermant la porte.

Appuyer sur la touche TOP RACK ONLY (panier supérieur uniquement) pendant 3 secondes. Le témoin lumineux s'éteint. Un message confirmant que les commandes sont déverrouillées s'affiche sur l'écran ACL.

Section commentaires sur l'utilisation du lave-vaisselle

Témoins lumineux et barre de compte à rebours (sur certains modèles)



Les témoins lumineux indiquent à l'utilisateur qu'il peut ajouter un plat après que le programme a commencé. Ils informent également l'utilisateur de l'action effectuée par le lave-vaisselle : lavage, rinçage, séchage, programme terminé et/ou assainissement. Ils indiquent à l'utilisateur si les commandes sont verrouillées et/ou si l'option de mise en marche différée est sélectionnée. Une série de barres entament un compte à rebours du programme restant, de gauche à droite. Chaque barre représente environ 24 minutes de durée de programme.

Sélection des programmes et options

1. Pour utiliser le même programme et les mêmes options que pour le programme précédent, appuyer une fois sur START/RESUME (mise en marche/reprise) pour faire apparaître les sélections précédemment effectuées. Pour modifier le programme, sélectionner le programme désiré.
2. Sélectionner les options souhaitées et appuyer sur START/RESUME (mise en marche/reprise) pour démarrer le programme. Toutes les options ne sont pas disponibles sur tous les programmes. Si l'on sélectionne une option invalide pour un programme donné, les témoins clignotent.

ACTIVATION/DÉSACTIVATION du son

Appuyer sur HIGH TEMP (température élevée) pendant 3 secondes pour alterner entre On (activation) et Off (désactivation). Le son ne sera pas désactivé en cas de messages concernant une interruption de programme ou un dépannage nécessaire. Un écran sur l'écran-texte ACL confirme que le son a bien été activé ou désactivé.

Annulation d'un programme

1. Ouvrir légèrement la porte pour arrêter le programme. Attendre que l'action d'aspersion s'arrête avant d'ouvrir la porte complètement.
2. Appuyer sans relâcher sur le bouton Cancel/Drain (annulation/vidange) jusqu'à ce que le témoin lumineux Cancel/Drain s'allume.
3. Fermer la porte. Le lave-vaisselle entame un programme de vidange s'il reste de l'eau au fond du lave-vaisselle. Laisser le lave-vaisselle évacuer l'eau complètement. Le témoin Cancel/Drain (annulation/vidange) s'éteint après 2 minutes.

Modification d'un programme après la mise en marche du lave-vaisselle

On peut interrompre un programme et redémarrer le lave-vaisselle depuis le début en suivant la procédure suivante.

1. Ouvrir légèrement la porte pour arrêter le programme. Attendre que l'action d'aspersion s'arrête avant d'ouvrir complètement la porte.
2. Vérifier que le couvercle du distributeur de détergent est toujours fermé. Si le couvercle est ouvert, remplir à nouveau le distributeur de détergent avant de redémarrer un nouveau programme.
3. Appuyer deux fois sur CANCEL/DRAIN (annulation/vidange) pour réinitialiser le module de commande.
4. Choisir un nouveau programme et les options.
5. Appuyer sur START/RESUME (mise en marche/reprise).

Ajout d'un plat après la mise en marche du lave-vaisselle

1. Vérifier que le témoin lumineux Add a Dish (ajouter un plat) est bien allumé.
2. Ouvrir légèrement la porte pour arrêter le programme. Attendre que l'action d'aspersion s'arrête avant d'ouvrir complètement la porte.
3. Vérifier que le couvercle du distributeur de détergent est toujours fermé. S'il est ouvert, cela signifie que le programme de lavage a déjà commencé et il n'est pas conseillé d'ajouter un plat.
4. Si l'on n'a pas encore utilisé de détergent (couvercle du distributeur de détergent fermé), on peut ajouter un plat.
5. Appuyer sur START/RESUME (mise en marche/reprise).

LAVAGE D'ARTICLES SPÉCIAUX

En cas de doute au sujet du lavage d'un article particulier, consulter le fabricant pour déterminer si l'article est lavable au lave-vaisselle.

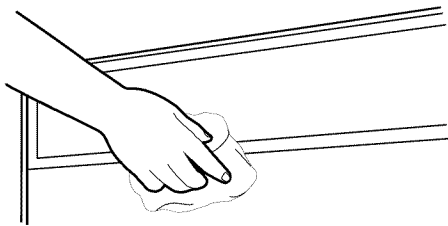
Matériau	Lavable au lave-vaisselle?	Commentaires
Aluminium	Oui	L'eau chaude et les détergents peuvent affecter le fini de l'aluminium anodisé.
Aluminium jetable	Non	Ne pas laver de plats en aluminium jetables dans le lave-vaisselle. Ils risquent de se déplacer durant le lavage et de transférer des marques noires à la vaisselle et à d'autres articles.
Bouteilles et cannettes	Non	Laver manuellement les bouteilles et cannettes. Les étiquettes fixées par de la colle peuvent se détacher et obstruer le système de lavage, réduisant ainsi la performance de lavage.
Fonte	Non	La patine sera éliminée et rouillera ensuite.
Porcelaine/grès	Oui	Toujours consulter les recommandations du fabricant avant le lavage. Les motifs de type antique, peints à la main ou émaillés peuvent se détériorer. Les dorures peuvent se dissiper ou changer de couleur.
Cristal	Oui	Toujours consulter les recommandations du fabricant avant le lavage. Après plusieurs lavages, la solution de détergent peut attaquer certains types de cristal au plomb.
Or	Non	Les couverts dorés subiront un changement de couleur.
Verre	Oui	Le verre opaque jaunit après de nombreux lavages au lave-vaisselle.
Coutellerie à manche creux	Non	Les manches de certains couteaux sont fixés à la lame au moyen d'un adhésif qui peut se dégager lors du lavage au lave-vaisselle.
Étain, laiton, bronze et cuivre	Non	L'eau chaude et les détergents peuvent décolorer ou endommager le fini.
Plastiques jetables	Non	Ce matériau ne peut résister aux effets de l'eau chaude et des détergents.
Plastiques	Oui	Toujours consulter les recommandations du fabricant avant le lavage. La résistance des articles de plastique aux températures élevées et aux détergents est variable. Il est recommandé de placer les articles légers tels les couvercles et les beurriers uniquement dans le panier supérieur. Les articles résistants comme les refroidisseurs ou les plateaux de chaise haute peuvent être placés dans le panier inférieur. Lorsqu'on lave des articles en plastique dans le panier inférieur, il est recommandé de ne pas utiliser l'option SmartDry™.
Acier inoxydable	Oui	Si le lavage n'est pas effectué immédiatement, exécuter un programme de rinçage. Le contact prolongé avec des résidus alimentaires contenant sel, vinaigre, produits laitiers ou jus de fruit peut endommager le fini.
Argent sterling ou plaqué	Oui	Si le lavage n'est pas effectué immédiatement, exécuter un programme de rinçage. Le contact prolongé avec des résidus alimentaires contenant sel, acide ou sulfide (oeufs, mayonnaise et fruits de mer) peut endommager le fini.
Fer blanc	Non	Non recommandé.

Matériau	Lavable au lave-vaisselle?	Commentaires
Ustensiles en bois	Non	Laver manuellement. Toujours consulter les instructions du fabricant avant le lavage. Le bois non traité peut se déformer, se fissurer ou perdre son fini.
Section pour grandes casseroles	Oui	Il est possible que certains plats à mets en sauce ne conviennent pas à l'espace réservé à la caractéristique TurboZone® (sur certains modèles) à l'arrière du panier à vaisselle inférieur. Si nécessaire, ajuster les tiges pour pouvoir charger des grands plats.

ENTRETIEN DU LAVE-VAISSELLE

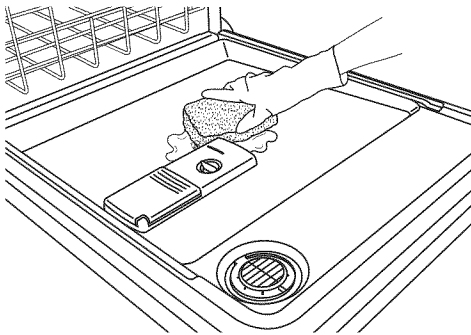
Nettoyage

Nettoyage de l'extérieur



Dans la plupart des cas, il suffit d'utiliser un linge doux, humide ou une éponge et un détergent doux pour nettoyer les surfaces extérieures du lave-vaisselle et préserver son aspect de produit neuf. Si l'extérieur du lave-vaisselle est en acier inoxydable, un nettoyant pour acier inoxydable est recommandé.

Nettoyage de l'intérieur



Les composés minéraux présents dans l'eau dure peuvent provoquer l'accumulation d'un film blanchâtre sur les surfaces intérieures, particulièrement juste au-dessous de la porte.

Ne pas nettoyer les surfaces internes du lave-vaisselle avant qu'elles aient refroidi. Il faudra peut-être porter des gants en caoutchouc. Ne pas utiliser un produit de nettoyage autre que le détergent pour lave-vaisselle car cela pourrait provoquer un excès de mousse.

Nettoyage des surfaces internes

Faire une pâte avec un détergent pour lave-vaisselle en poudre sur une éponge humide et nettoyer.

OU

Utiliser un détergent liquide pour lave-vaisselle automatique, et nettoyer avec une éponge humide.

OU

Voir la méthode de rinçage au vinaigre dans la section "Taches et films sur la vaisselle" à la section "Dépannage."

REMARQUE : Effectuer un programme de lavage normal avec détergent pour lave-vaisselle après avoir nettoyé l'intérieur.

Procédure d'entretien du lave-vaisselle

Afin d'éviter la formation de résidus liés à une eau dure dans le lave-vaisselle, utiliser le nettoyant pour lave-vaisselle affresh^{®†} (recommandé) une fois par mois comme traitement d'entretien régulier. Le nettoyant pour lave-vaisselle affresh[®] est efficace avec toutes les marques de lave-vaisselle.

IMPORTANT :

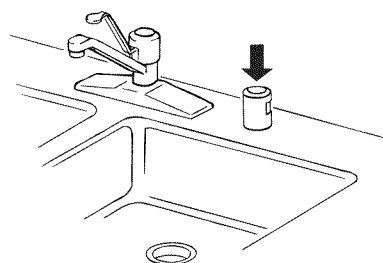
- Lire entièrement les présentes instructions ainsi que les instructions de l'emballage du produit affresh[®] avant de débiter la procédure de nettoyage.

Élimination de l'eau dure/de la pellicule : Utilisation mensuelle recommandée d'un produit d'entretien tel le nettoyant pour lave-vaisselle affresh[®] - pièce numéro W10282479.

REMARQUE : L'utilisation d'une pastille ou d'un sachet pré-mesuré de détergent est recommandée pour une utilisation quotidienne ordinaire.

- Charger le lave-vaisselle (de préférence avec la vaisselle recouverte d'une pellicule ou précédemment lavée avec une eau dure).
- Placer une pastille dans le compartiment de lavage principal du distributeur de détergent.
- Sélectionner le programme/l'option le/la mieux adapté(e) à une vaisselle très sale et mettre en marche le lave-vaisselle.

Dispositif de brise-siphon



Certains codes de plomberie provinciaux ou locaux exigent l'installation d'un dispositif de brise-siphon entre un lave-vaisselle encastré et le système de vidange du domicile. Inspecter le dispositif de brise-siphon lorsque votre lave-vaisselle ne se vidange pas bien.

Le dispositif de brise-siphon se trouve généralement sur le dessus de l'évier ou du comptoir près du lave-vaisselle. Pour commander un brise-siphon, composer le 1-800-4-MY-HOME[®]. Demander la pièce n° 300096.

REMARQUE : Le dispositif de brise-siphon est un article de plomberie externe qui ne fait pas partie de votre lave-vaisselle. La garantie fournie avec le lave-vaisselle ne couvre pas les coûts de réparation directement associés au nettoyage ou à la réparation d'un dispositif de brise-siphon externe.

Nettoyage du dispositif de brise-siphon

Nettoyer le dispositif de brise-siphon périodiquement pour assurer une vidange adéquate du lave-vaisselle. Pour la plupart des brise-siphons, il faut soulever le couvercle chromé. Dévisser le couvercle en plastique. Vérifier ensuite qu'il n'y a pas accumulation de saletés. Nettoyer au besoin.

Remisage

Remisage pour l'été

Si le lave-vaisselle n'est pas utilisé pendant l'été, couper l'arrivée d'eau et l'alimentation électrique du lave-vaisselle.

Remisage pour l'hiver

Éviter que le lave-vaisselle et l'habitation ne subissent de dommages causés par l'eau, et plus précisément par le gel des canalisations. Si le lave-vaisselle est laissé dans une résidence saisonnière ou risque d'être exposé à des températures proches du degré de congélation, faire hiverner le lave-vaisselle par un technicien de service agréé.

DÉPANNAGE

CONTRÔLER LES POINTS SUIVANTS POUR GAGNER DU TEMPS ET FAIRE DES ÉCONOMIES.

PROBLÈME	SOLUTION
LE LAVE-VAISSELLE NE FONCTIONNE PAS	<p>REMARQUE : Il est normal que le lave-vaisselle fasse des pauses répétées au cours d'un programme.</p> <p>Si le témoin lumineux Start/Resume (mise en marche/reprise) clignote, appuyer sur START/RESUME et fermer la porte dans les 3 secondes qui suivent.</p> <p>Vérifier que la porte est fermée et verrouillée. Si le panier supérieur n'est pas à l'horizontale, redresser le côté incliné vers le bas. Un panier de travers peut empêcher la porte de fermer.</p> <p>Vérifier que le fonctionnement du système de lavage à l'arrière du lave-vaisselle n'est pas entravé par de grands plats à mets en sauce. Ajuster le chargement si nécessaire pour que la porte puisse se fermer et se verrouiller.</p> <p>Vérifier qu'un programme a été sélectionné. (Voir "Informations sur les programmes et les options".)</p> <p>Vérifier que le lave-vaisselle est sous tension. Un disjoncteur ou un fusible peut s'être déclenché.</p> <p>Si des témoins lumineux autres que le témoin Start/Resume clignotent et que l'appareil ne fonctionne pas, demander une intervention de dépannage.</p>
IL RESTE DU DÉTERGENT DANS LE DISTRIBUTEUR OU LA PASTILLE EST RESTÉE AU FOND DE LA CUVE	<p>Vérifier que des articles comme les plaques à biscuits, les planches à découper ou les grands récipients, etc. n'empêchent pas le distributeur de détergent de s'ouvrir correctement.</p> <p>Vérifier que le détergent est frais et ne contient pas de grumeau.</p> <p>Vérifier que le programme est terminé (le témoin lumineux bleu doit être allumé). Si le programme n'est pas terminé, il faudra le faire reprendre en appuyant sur START/RESUME et en fermant la porte en moins de 3 secondes.</p>
LE PROGRAMME FONCTIONNE TROP LONGTEMPS	<p>REMARQUES :</p> <ul style="list-style-type: none">■ Pour utiliser moins d'eau et réduire la consommation d'énergie, il existe des programmes qui fonctionnent en général jusqu'à 3 heures.■ Le meilleur réglage pour le chauffe-eau est de 120°F (49°C). Le lave-vaisselle fonctionne plus longtemps durant le chauffage d'une eau plus froide.■ Certaines options prolongeront le programme. (Voir la section "Informations sur les programmes et les options".) L'option SmartDry™ joute 1/2 heure. <p>Essayer le programme 1 Hour Wash (lavage en 1 heure).</p> <p>Faire couler l'eau chaude d'un robinet proche du lave-vaisselle avant de sélectionner et de démarrer le programme.</p>
LE LAVE-VAISSELLE NE SÈCHE PAS	<p>REMARQUE : Le plastique et les articles à surface anti-adhésive sont difficiles à sécher car leur surface est poreuse et a tendance à retenir les gouttelettes d'eau. Un séchage au torchon peut être nécessaire.</p> <p>L'utilisation d'un agent de rinçage avec l'option SmartDry™ est nécessaire pour un bon séchage. Un bon chargement des articles peut affecter le séchage. (Voir les instructions spécifiques de chargement dans ce guide.)</p> <p>Les verres et les tasses à fond concave retiennent l'eau. Cette eau peut éclabousser d'autres articles lors du déchargement.</p> <ul style="list-style-type: none">■ Décharger le panier inférieur en premier.■ Placer ces articles sur le côté le plus incliné du panier pour obtenir de meilleurs résultats.
PAS DE REMPLISSAGE	<p>Vérifier que le robinet d'alimentation en eau du lave-vaisselle est ouvert.</p> <p>Vérifier l'absence d'obstruction du flotteur. (Voir "Pièces et caractéristiques".)</p> <p>Vérifier l'absence de mousse dans le lave-vaisselle. En cas de présence de mousse, le lave-vaisselle peut ne pas fonctionner correctement ou ne pas se remplir d'eau.</p>

PROBLÈME	SOLUTION
IL RESTE DE L'EAU DANS LA CUVE/PAS DE VIDANGE	<p>Vérifier que le programme est terminé (le témoin lumineux bleu doit être allumé). Si le programme n'est pas terminé, il faudra le faire reprendre en appuyant sur START/RESUME et en fermant la porte en moins de 3 secondes.</p> <p>Si le lave-vaisselle est relié à un broyeur de déchets, vérifier que le bouchon d'obturation a été retiré de l'orifice du broyeur.</p> <p>Vérifier l'absence de déformation sur le tuyau de vidange.</p> <p>Vérifier l'absence d'obstructions par des aliments dans le système d'évacuation ou le broyeur.</p> <p>Examiner le fusible ou le disjoncteur du domicile.</p>
EAU DURE (RÉSIDU BLANC SUR L'INTÉRIEUR DU LAVE-VAISSELLE OU SUR LA VERRERIE)	<p>REMARQUE : Des dépôts minéraux d'une eau très dure peuvent endommager le lave-vaisselle et rendre un bon nettoyage difficile. Vous pouvez apporter des échantillons d'eau à Sears pour vérifier le degré de dureté de votre eau. Un adoucisseur d'eau est vivement recommandé si la dureté est de 15 grains ou plus. En l'absence d'un adoucisseur d'eau, les mesures suivantes peuvent être utiles :</p> <p>Utiliser un nettoyant conçu pour lave-vaisselle une fois par mois. Voir la section "Procédure d'entretien du lave-vaisselle".</p> <p>Nettoyer les filtres ULTRACLEAN™ au moins une fois par mois.</p> <p>Toujours utiliser un agent de rinçage.</p> <p>Toujours utiliser un détergent frais de grande qualité.</p> <p>Utiliser un stimulant de détergent/adoucisseur d'eau conçu pour les lave-vaisselle.</p>
ODEURS	<p>REMARQUE : Si le lave-vaisselle n'est pas utilisé tous les jours, on peut exécuter un programme de rinçage avec une charge partielle chaque jour jusqu'à ce que l'on ait une charge complète à laver. On peut aussi utiliser l'option Top Rack Only (panier supérieur uniquement) (sur certains modèles) pour des charges partielles.</p> <p>Effectuer un rinçage au vinaigre au lave-vaisselle en mettant 2 tasses (500 mL) de vinaigre blanc dans un verre à mesurer placé debout dans le panier inférieur. Exécuter un programme normal après avoir désactivé l'option SmartDry™. Ne pas utiliser de détergent.</p> <p>Le lave-vaisselle peut ne pas se vider correctement, voir "IL RESTE DE L'EAU DANS LA CUVE/PAS DE VIDANGE" à la section "Dépannage".</p>
BRUYANT	<p>REMARQUES :</p> <ul style="list-style-type: none"> ■ Des bruits de pompage peuvent se produire régulièrement pendant le programme alors que le lave-vaisselle se vide. ■ On peut entendre régulièrement un sifflement du robinet d'eau; ceci est normal. ■ On peut entendre un bruit d'enclenchement lorsque le distributeur de détergent s'ouvre pendant le programme et lorsque la porte est ouverte à la fin du programme; ceci est normal. ■ Une installation incorrecte affectera les niveaux de bruit. <p>Vérifier que les filtres sont bien installés.</p> <p>On peut entendre un bruit sourd si des articles dépassent des paniers et touchent les pales de lavage. Réajuster la vaisselle et reprendre le programme.</p>
IL RESTE DES SALETÉS ALIMENTAIRES SUR LA VAISSELLE	<p>Vérifier que le lave-vaisselle est correctement chargé. Un chargement incorrect peut considérablement réduire la performance de lavage (voir "Chargement pour une performance idéale").</p> <p>Inspecter le filtre pour s'assurer qu'il est bien installé. Nettoyer au besoin. (Voir "Instructions de nettoyage" dans "Système de filtration ULTRACLEAN™" pour plus de détails.)</p> <p>Sélectionner le programme et les options appropriés au type de saletés. Le programme Pots & Pans (casserolles et poêles) avec l'option TURBOZONE® (sur certains modèles) peut être utilisé pour les charges plus difficiles à nettoyer.</p> <p>Vérifier que la température d'eau entrante est d'au moins 120°F (49°C).</p> <p>Utiliser la bonne quantité de détergent frais. Un supplément de détergent est nécessaire pour les charges très sales et en présence d'une eau dure.</p> <p>Éliminer les aliments sur la vaisselle en la grattant avant de la charger (ne pas pré-rincer).</p>

PROBLÈME	SOLUTION
PAS D'ASSAINISSEMENT	Si le témoin lumineux Sani Rinse (rinçage avec assainissement) clignote, cela signifie que la charge n'a <i>PAS</i> été assainie. Le programme a été interrompu lors du rinçage final, ou le dispositif de chauffage de l'eau est à un réglage trop faible. Régler le dispositif de chauffage de l'eau à 120°F (49°C).
DOMMAGES À LA VAISSELLE	Un chargement incorrect peut écailler ou endommager la vaisselle. (Voir les instructions spécifiques de chargement dans ce guide.)
TÉMOINS LUMINEUX CLIGNOTANTS	Si le témoin de Start/Resume (mise en marche/reprise) ou un autre témoin clignote et que le lave-vaisselle ne fonctionne pas, appuyer sur START/RESUME et fermer la porte dans les 3 secondes qui suivent. Si le lave-vaisselle ne fonctionne toujours pas, appeler le service de dépannage au 1-800-4-MY-HOME®.
VAISSELLE CONTENANT DES TRACES OU DES TACHES (ET SOLUTION POUR L'EAU DURE)	<p>REMARQUES :</p> <ul style="list-style-type: none"> ■ Un agent de rinçage liquide est nécessaire pour le séchage et pour réduire les taches. ■ Utiliser la bonne quantité de détergent. <p>Confirmer que les traces peuvent s'enlever en trempant l'article dans du vinaigre blanc pendant 5 minutes. Si les traces disparaissent, cela signifie qu'elles étaient dues à la dureté de l'eau. Ajuster la quantité de détergent et d'agent de rinçage. Voir "EAU DURE [RÉSIDU BLANC SUR L'INTÉRIEUR DU LAVE-VAISSELLE OU SUR LES ARTICLES EN VERRE]" dans la section "Dépannage". Si les traces ne disparaissent pas, elles sont dues à des attaques (voir ci-dessous). Vérifier que la température d'eau entrante est réglée à 120°F (49°C). Essayer d'utiliser les options High Temp (température élevée) et Sani Rinse (rinçage avec assainissement). Pour enlever les taches, effectuer un rinçage au vinaigre dans le lave-vaisselle.</p> <ul style="list-style-type: none"> ■ Laver et rincer la vaisselle affectée et la charger dans le lave-vaisselle. Enlever tous les couverts et les articles métalliques. Mettre 2 tasses (500 mL) de vinaigre blanc dans un verre à mesure dans le panier inférieur. Exécuter un programme normal après avoir désactivé l'option SmartDry™. Aucun détergent n'est nécessaire.
ATTAQUES (TRACES PERMANENTES)	Il y a une érosion de la surface de l'article en verre, qui peut être provoquée par un mélange : de l'eau trop chaude, de l'utilisation de trop de détergent avec une eau douce ou par un pré-lavage. Le détergent a besoin de saletés d'aliments pour agir. En cas d'attaque, l'article en verre est définitivement abîmé. Pour éviter d'autres attaques, ajuster la quantité de détergent selon la dureté de l'eau, arrêter le pré-lavage et utiliser des options de chauffage de l'eau uniquement lorsque la température de l'eau entrante est inférieure à 120°F (49°C).
FUITES D'EAU	Vérifier que le lave-vaisselle a été correctement installé et qu'il est d'aplomb. La mousse peut faire déborder le lave-vaisselle. Mesurer le détergent précisément et utiliser uniquement des détergents conçus pour lave-vaisselle. Moins de détergent est nécessaire dans de l'eau douce. Essayer une autre marque de détergent si l'excès de mousse persiste. Pour éviter les fuites d'agent de rinçage du distributeur, vérifier que le couvercle est bien fixé et éviter de trop le remplir.
LA CUVE EST DÉCOLORÉE	<p>REMARQUES :</p> <ul style="list-style-type: none"> ■ Une teneur en fer importante dans l'eau peut décolorer la cuve. ■ Les aliments à base de tomate peuvent décolorer la cuve ou la vaisselle. ■ Un produit à base d'agrumes peut être utilisé pour le nettoyage.

Get it fixed, at your home or ours!

Your Home

For troubleshooting, product manuals and expert advice:



www.managemylife.com

For repair – **in your home** – of **all** major brand appliances, lawn and garden equipment, or heating and cooling systems, **no matter who made it, no matter who sold it!**

For the replacement parts, accessories and owner's manuals that you need to do-it-yourself.

For Sears professional installation of home appliances and items like garage door openers and water heaters.

1-800-4-MY-HOME[®] (1-800-469-4663)

Call anytime, day or night (U.S.A. and Canada)

www.sears.com www.sears.ca

Our Home

For repair of carry-in items like vacuums, lawn equipment, and electronics, call anytime for the location of your nearest

Sears Parts & Repair Service Center

1-800-488-1222 (U.S.A.) **1-800-469-4663** (Canada)

www.sears.com www.sears.ca

To purchase a protection agreement on a product serviced by Sears:

1-800-827-6655 (U.S.A.) **1-800-361-6665** (Canada)

Para pedir servicio de reparación a domicilio, y para ordenar piezas:

1-888-SU-HOGAR[®]

(1-888-784-6427)

www.sears.com

Au Canada pour service en français:

1-800-LE-FOYER^{MC}

(1-800-533-6937)

www.sears.ca

The Sears logo, consisting of the word "sears" in a lowercase, sans-serif font.