

Operator's Manual



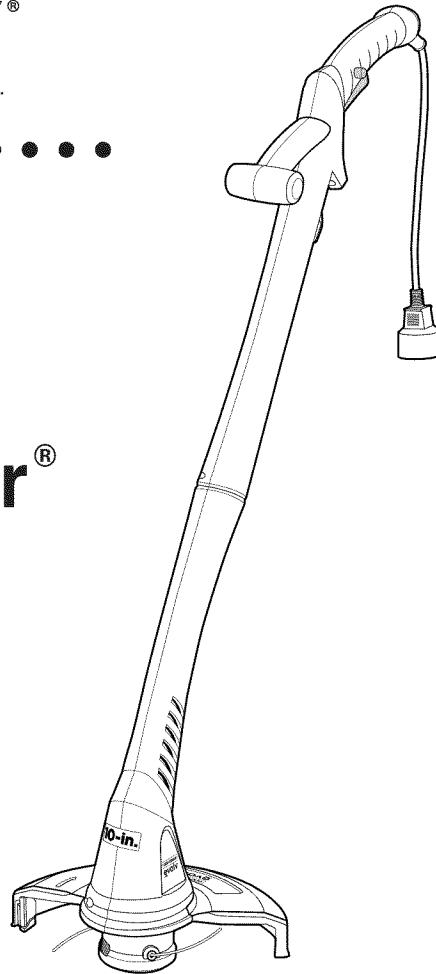
evolv[®]
durable, affordable, everyday tools.



10-in. 2.2 Amp

Electric Weedwacker[®] Trimmer

Model No. 172.740100



CAUTION: Read, understand and follow all Safety Rules and Operating Instructions in this Manual before using this product.

Sears Brands Management Corporation,
Hoffman Estates, IL 60179

See the full line of Craftsman[®] products
at craftsman.com

- WARRANTY
- SAFETY
- UNPACKING
- DESCRIPTION
- ASSEMBLY
- OPERATION
- MAINTENANCE
- ESPAÑOL

TABLE OF CONTENTS

Warranty.....	Page	2
Safety Symbols.....	Page	3
Safety Instructions.....	Pages	4 - 9
Unpacking.....	Page	10
Description.....	Pages	11 - 13
Assembly and Adjustments.....	Pages	13 - 14
Operation.....	Pages	14 - 19
Maintenance.....	Page	20
Accessories.....	Pages	21
Parts List.....	Pages	22 - 23

CRAFTSMAN EVOLV ONE YEAR LIMITED WARRANTY

FOR ONE YEAR from the date of purchase, this product is warranted against any defects in material or workmanship. With proof of purchase, a defective product will be replaced free of charge.

For warranty coverage details to obtain free replacement, visit the web site: www.craftsman.com

This warranty does not cover the cutting line, which is an expendable part that can wear out from normal use within the warranty period. This warranty is void if this product is ever used while providing commercial services or if rented to another person.

This warranty gives you specific legal rights, and you may also have other rights which vary from state to state.

Sears Brands Management Corporation,
Hoffman Estates, IL 60179

⚠ WARNING: Some dust created by using power tools contains chemicals known to the State of California to cause cancer and birth defects or other reproductive harm.

**SAVE THESE INSTRUCTIONS!
READ ALL INSTRUCTIONS!**

SAFETY SYMBOLS

The purpose of safety symbols is to attract your attention to possible dangers. The safety symbols and the explanations with them deserve your careful attention and understanding. The symbol warnings do not, by themselves, eliminate any danger. The instructions and warnings they give are no substitutes for proper accident prevention measures.

⚠ WARNING: Be sure to read and understand all safety instructions in this manual, including all safety alert symbols such as “**DANGER**,” “**WARNING**,” and “**CAUTION**” before using this electric trimmer. Failure to follow all instructions listed in this manual may result in electric shock, fire and/or serious personal injury.

SYMBOL SIGNAL MEANING

⚠ SAFETY ALERT SYMBOL: Indicates **DANGER, WARNING, OR CAUTION**. May be used in conjunction with other symbols or pictographs.

⚠ DANGER: Indicates a hazardous situation which, if not avoided, will result in death or serious injury. This signal word is to be limited to the most extreme situations. Always follow the safety precautions to reduce the risk of fire, electric shock, and personal injury.

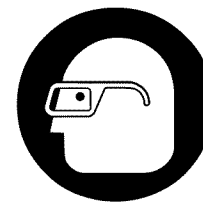
⚠ WARNING: Indicates a hazardous situation which, if not avoided, could result in death or serious injury. Always follow the safety precautions to reduce the risk of fire, electric shock, and personal injury.

⚠ CAUTION: Indicates a hazardous situation which, if not avoided, could result in minor or moderate injury.

Damage Prevention and Information Messages

These inform the user of important information and/or instructions that could lead to equipment or other property damage if they are not followed. Each message is preceded by the word “NOTE,” as in the example below:

NOTE: Equipment and/or property damage may result if these instructions are not followed.



⚠ WARNING: To ensure safety and reliability, all repairs should be performed by a qualified service technician.

⚠ WARNING: The operation of any power tools can result in foreign objects being thrown into your eyes, which can result in severe eye damage. Before beginning power tool operation, always wear safety goggles or safety glasses with side shield and a full face shield when needed. We recommend a Wide Vision Safety Mask for use over eyeglasses or standard safety glasses with side shields. Always use eye protection which is marked to comply with ANSI Z87.1 shields.

SAFETY INSTRUCTIONS

⚠ WARNING: if correctly used, this electric trimmer is an easy to handle and efficient tool; if used improperly or without the due precautions it could become a dangerous tool. For pleasant and safe work, **ALWAYS** strictly comply with the safety rules that are contained in this manual.

⚠ WARNING: **BE SURE** to read and understand all instructions in this manual before using this electric trimmer. Failure to follow all instructions listed below may result in electric shock, fire and/or serious personal injury.

⚠ WARNING: To avoid mistakes that could cause serious injury, **DO NOT** plug in this trimmer until the following instructions have been read and understood.

WORK AREA SAFETY

1. **ALWAYS** avoid dangerous conditions. **DO NOT** use in wet or damp areas or expose to rain.
2. **DO NOT** operate in the presence of flammable liquids, gases, or dust. Electric tools create sparks which may ignite dust or fumes.
3. **ALWAYS** keep bystanders and visitors at a safe distance while operating a trimmer. **NEVER** allow children near the tool. Flying objects can injure anyone in the area.
4. **CHILDPROOF** your tools with padlocks and master switches. Lock tools away when not in use. This trimmer is not a toy.
5. **DO NOT** use trimmer at night. **ALWAYS** make sure you have adequate lighting.
6. **BEFORE** using the trimmer, remove any stones, sticks, debris or objects that could be entangled in or thrown by the trimmer.

PERSONAL SAFETY

⚠ WARNING: The operation of any trimmer can result in **FOREIGN OBJECTS BEING THROWN**, which can result in personal injury or property damage. **ALWAYS** use proper safety equipment.

1. **KNOW** your tool. Read the operator's manual carefully. Learn the electric trimmer's applications and limitations, as well as the specific potential hazards related to this tool.
2. **STAY ALERT**, watch what you are doing and use common sense when operating this tool.
3. **DO NOT** use tool while tired or under the influence of drugs, alcohol or medication. A moment of inattention while operating this tool may result in serious personal injury.
4. **DRESS** properly. Wear rubber gloves and substantial rubber soled footwear when working outdoors. **DO NOT** operate lawn and garden tools when barefoot or wearing open sandals. Wear long pants and long sleeves to protect your legs and arms. Trimmers can pick up objects such as rocks and send them flying at fast speeds. **DO NOT** wear loose clothing or jewelry. Keep your hair, clothing, and gloves away from moving parts. Loose clothing or long hair can be caught in moving parts.

SAFETY INSTRUCTIONS cont.

PERSONAL SAFETY cont.

5. **USE SAFETY EQUIPMENT.** Always wear safety goggles or safety glasses with side shields or full face shield, proper work shoes with rubber non-slip soles, heavy-duty non-slip rubber gloves and dust mask or respirator and hearing protection. Hard hat should be used for appropriate conditions.
6. **DO NOT overreach.** Keep proper footing and balance at all times. Proper footing and balance enables better control of the tool in unexpected situations.

TOOL USE AND CARE SAFETY

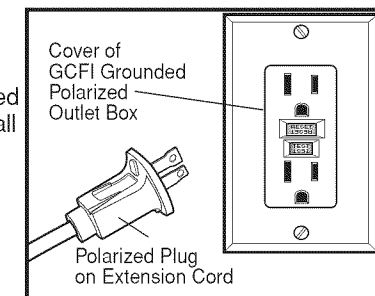
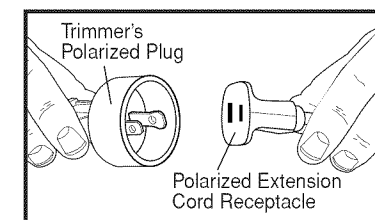
⚠ WARNING: **BE SURE** to read and understand all instructions before operating this tool. Failure to follow all instructions listed below may result in electric shock, fire and/or serious personal injury.

1. **DO NOT** use the tool if switch does not turn it "On" or "Off". Any tool that cannot be controlled with the switch is dangerous and must be repaired.
2. **DISCONNECT** the plug from the power source before making any adjustments, changing cutting line, or storing the tool. Such preventive safety measures reduce the risk of starting the tool accidentally.
3. **Avoid Unintentional Starting.** Do not insert power cord with finger on switch. Be sure switch is off when inserting power cord.
4. **STORE** idle tools out of the reach of children and other untrained persons. **Children MUST NOT** operate the tool. Tools are dangerous in the hands of untrained users.
5. **Maintain Trimmer With Care.** Keep line cutter sharp and clean for best performance and to reduce the risk of injury. Follow instructions for lubricating and changing accessories. Inspect appliance cord periodically, and if damaged, have it repaired by an authorized service facility. Inspect extension cords periodically and replace if damaged. Keep handles dry, clean, and free from oil and grease.
6. **CHECK** for misalignment or binding of moving parts, breakage of parts, and any other condition that may affect the tool's operation. **If damaged**, have the tool serviced before using. Many accidents are caused by poorly maintained tools.
7. **USE ONLY** cutting line that is recommended for this trimmer. Cutting line that may be suitable for one trimmer may become hazardous when used on another trimmer.

ELECTRICAL SAFETY

⚠ WARNING: Do not permit fingers to touch the terminals of plug when installing or removing the plug from the outlet.

1. To reduce the risk of electric shock, this appliance has a polarized plug (one blade is wider than the other) and will require the use of a polarized extension cord. The appliance plug will fit into a polarized extension cord only one way. If the plug does not fit fully into the extension cord, reverse the plug. If the plug still does not fit, obtain a correct polarized extension cord. A polarized extension cord will require the use of a polarized wall outlet. This plug will fit into the polarized outlet only one way. If the plug does not fit fully into the outlet, reverse the plug. If the plug still does not fit, contact a qualified electrician to install the proper outlet. Do not change the equipment plug, extension cord receptacle, or extension cord plug in any way.



SAFETY INSTRUCTIONS cont.

ELECTRICAL SAFETY cont.

2. Double insulation eliminates the need for the three-wire grounded power cord and grounded power supply system. Applicable only to Class II (double-insulated) tools. This trimmer is a double insulated tool.

⚠ WARNING: GFCI (Ground Fault Circuit Interrupter) protection should be provided on all circuits or outlets to be used for electric lawn and garden power tools. Receptacles are available having built-in GFCI protection and should be used for this measure of protection.

⚠ CAUTION: This trimmer has a 12-in. Pigtail Power Cord that must be plugged into a proper extension cord (see below).

⚠ WARNING: Double insulation DOES NOT take the place of normal safety precautions when operating this tool.

3. **BEFORE** plugging in the tool, **BE SURE** that the outlet voltage supplied is within the voltage marked on the tool's data plate. **DO NOT** use "AC only" rated tools with a DC power supply.
4. **DO NOT** expose tools to rain or wet conditions or use electric tools in wet or damp locations. Water entering an electric tool will increase the risk of electric shock.
5. **If operating an electric tool in damp locations is unavoidable, ALWAYS USE a Ground Fault Circuit Interrupter to supply power to your tool. ALWAYS WEAR electrician's rubber gloves and footwear in damp conditions.**
6. **WARNING:** To reduce risk of shock. When operating a power tool outside, **ALWAYS** use an outdoor extension cord marked SW-A, SOW-A, STW-A, STOW-A, SJW-A, SJOW-A, SJTW-A, or SJTOW-A, these cords are rated for outdoor use and reduce the risk of electric shock.
7. **INSPECT tool cords for damage.** Have damaged tool cords repaired at a certified Service Center. **BE SURE** to stay constantly aware of the cord location and keep it well away from the spinning cutting lines.
8. **Do not abuse the cord on the trimmer.** Never carry the trimmer by its power cord. Never pull the power cord to remove from the power outlet. Damage to the cord could occur and create an electric shock hazard. Keep cord away from heat, oil, sharp edges or moving parts. Replace damaged cords immediately. Damaged cords increase the risk of electric shock.

EXTENSION CORDS

Use a proper polarized extension cord (see page 5). **ONLY** use cords listed by Underwriters Laboratories (UL). Other extension cords can cause a drop in line voltage, resulting in a loss of power and overheating of tool.

For this tool an AWG (American Wire Gauge) size of a least 14-gauge is recommended for an extension cord of 25-ft. or less in length. Use 12-gauge for an extension cord of 50-ft. **Extension cords 100-ft. or longer are not recommended.**

Remember, a **smaller wire gauge size has greater capacity than a larger number** (14-gauge wire has more capacity than 16-gauge wire; 12-gauge wire has more capacity than 14-gauge). When in doubt use the smaller number.




⚠ CAUTION: Keep the extension cord clear of the work area. Position the cord so that it will not get caught on bushes, hedges, tree trunks, lawnmowers or other obstructions while you are working with the trimmer.

SAFETY INSTRUCTIONS cont.

EXTENSION CORDS cont.

⚠ WARNING: Check extension cords before each use. If damaged replace immediately. Never use tool with a damaged cord since touching the damaged area could cause electrical shock, resulting in serious injury.

The label on your tool may include the following symbols.

V.....	Volts
A.....	Amps
Hz.....	Hertz
W.....	Watts
min.....	Minutes
~.....	Alternating current
—.....	Direct current
n _o	No-load speed
<input type="checkbox"/>	Class II construction, Double Insulated
RPM.....	Revolutions per minute
SPM.....	Strokes per minute
OPM.....	Orbits per minute
⚠.....	Indicates danger, warning or caution. It means attention! Your safety is involved.
	Arrows show direction objects will be thrown by trimmer line rotation.
	Do not expose to moisture
	Switch off! Remove plug from mains before adjusting, cleaning or if cable is entangled or damaged.

Correct Cord Size Chart

Volts	Total length of cord in feet			
	25	50	100	150
120V	25	50	100	150
240V	50	100	200	300
Ampere Rating More than Not more than	AWG			
	0-6	18	16	16
6-10	18	16	14	12
10-12	16	16	14	12
12-16	14	12	Not recommended	

SERVICE SAFETY

- If any part of this trimmer is missing or should break, bend, or fail in any way; or should any component fail to perform properly: SHUT OFF** the power switch and remove the trimmer plug from the power source and have the missing, damaged or failed parts replaced **BEFORE** resuming operation.
- Tool service must be performed only by a qualified service dealer.** Service or maintenance performed by unqualified personnel could result in a risk of injury.

SAFETY RULES FOR ELECTRIC TRIMMERS

- KNOW your electric trimmer. Read operator's manual carefully.** Learn the applications and limitations, as well as the specific potential hazards related to this tool. Following this rule will reduce the risk of electric shock, fire or serious injury.
- DO NOT** use trimmer without adequate lighting. **ALWAYS** make sure that you can see what you are trimming.
- Use trimmer **ONLY** when grass and weeds are dry.
- ALWAYS** remove objects such as stones, sticks, and debris from the trimming path that could become entangled in, or thrown by, the trimmer.
- ALWAYS** hold the trimmer by both the main rear handle and the auxiliary handle for greater control and balance. **NEVER** reach under the safety guard.

SAFETY INSTRUCTIONS cont.

SAFETY RULES FOR ELECTRIC TRIMMERS cont.

6. **USE RIGHT TRIMMER.** Do not use trimmer for any job except that for which it is intended.
7. **AVOID accidental starting. DO NOT** carry a plugged in trimmer with your finger on the switch.
8. **DO NOT** carry the trimmer by the cord or pull the cord to disconnect it from the receptacle. Keep cord away from heat, oil and sharp edges.
9. **DO NOT** grasp or touch the exposed cutting line when picking up or holding the trimmer.
10. **DO NOT FORCE the trimmer.** Do not try to cut more than what the trimmer is designed for. It will do a better job with less chance of injury when used at the rate for which it is designed.
11. **MAINTAIN** the trimmer with care. **ALWAYS** inspect the extension cord and replace it if damaged.
12. **KEEP the handle** dry, clean and free of oil and grease. Use a clean cloth when cleaning. **DO NOT** use solvents, brake fluids, gasoline, or other petroleum products to clean the trimmer. They can damage plastic parts.
13. **NEVER**, for any reason, touch the cutting line or other moving parts during use.
14. When changing cutting line spool be careful of the line cutter on the guard. Cutter is sharp and can cause injury.
15. **DO NOT** use this product without the guard being fitted.
16. **WHEN INSTALLING SAFETY GUARD OR CHANGING CUTTING LINE SPOOL** be careful of the line cutter on the guard. Cutter is sharp and can cause injury
17. **KEEP guard in place** and in good working order. Keep guard positioned between you and cutting line. Keep hands and feet away from cutting line.
18. **ALWAYS** store the trimmer indoors when not in use. It should be stored in a dry place, high up or locked in a place that is out of the reach of children.
19. **ALWAYS** use only the cutting line provided with this trimmer or sold by qualified service dealer. Use of any other cutting line may create a hazardous situation.
20. **ALWAYS** keep ventilation openings clear of debris.
21. **BEFORE** using the trimmer, remove any stones, sticks, debris or objects that could be entangled in or thrown by the trimmer.
22. **NYLON CUTTING LINE** Keep face, hands and feet clear of rotating nylon line at all times.
23. **ALWAYS** use only 0.065 inch (1.65 mm) round cutting line with this trimmer. Use of any other cutting line may create a hazardous situation. Do not use heavier lines than recommended in this manual.
24. **THE ROTATING LINE PERFORMS A CUTTING FUNCTION.** Use care when trimming around screens and flowers and other objects that you **DO NOT** want damaged or cut.
25. **KEEP ALL BYSTANDERS AWAY** at a safe distance from the work area, especially children. Make sure that persons and pets are at least 100 feet away.

SAFETY INSTRUCTIONS cont.

SAFETY RULES FOR ELECTRIC TRIMMERS cont.

⚠ IMPORTANT WARNING:

When this tool is being used as a trimmer, stones and other objects can be thrown out at high speed by the line. The tool and guard are designed to help reduce the danger. However, the following special precautions should be taken.

TO REDUCE THE RISK of rebound or ricochet injury, always work away from any solid objects such as walls, steps, large stones, landscape bricks, timbers, trees, etc. Use extreme care when working close to solid objects and when necessary edge or trim by hand.

⚠ **WARNING:** Some dust particles created by lawn and garden tools contain chemicals known to the State of California to cause cancer, birth defects or other reproductive harm. Some examples of these chemicals are:

- Compounds in fertilizers, herbicides, pesticides, and insecticides.
- Arsenic and chromium from chemically treated lumber.

Your risk from these exposures varies, depending upon how often you do this type of work. To reduce your exposure to these chemicals:

- Work in a well-ventilated area
- Work with approved safety equipment, such as those dust masks that are specially designed to filter out microscopic particles.

⚠ **WARNING:** NEVER reach under the trimmer (cutting line area) until trimmer has completely stopped. The trimmer's cutting line will continue to rotate for a few seconds after it is switched off.

ADDITIONAL RULES FOR SAFE OPERATION

⚠ **WARNING:** BE SURE to read and understand all instructions. Failure to follow all instructions listed below may result in electric shock, fire and/or serious personal injury.

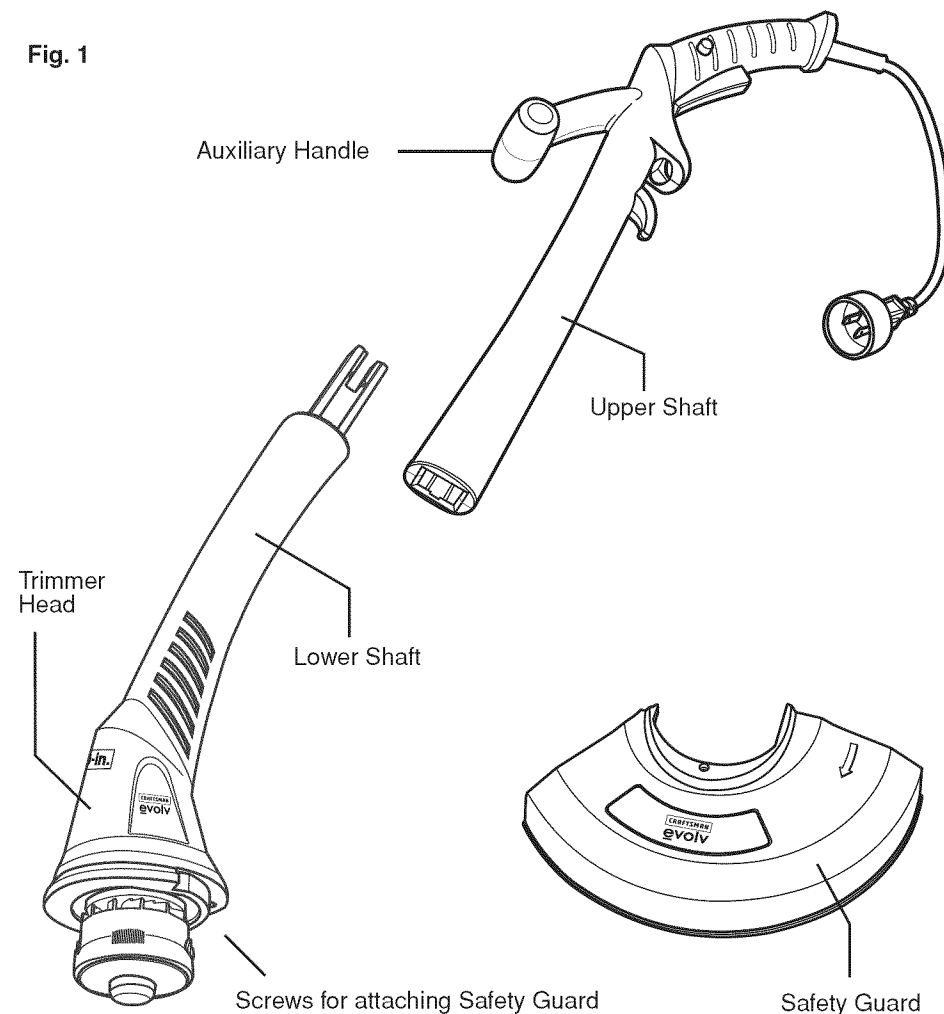
1. **ALWAYS wear safety glasses or eye shields when using this tool**
Everyday eyeglasses have only impact-resistant lenses; they are **NOT** safety glasses.
2. **PROTECT your lungs.** Wear a face mask, dust mask or respirator if the operation is dusty.
3. **PROTECT your hearing.** Wear appropriate personal hearing protection during use. Under some conditions noise from this product may contribute to hearing loss.
4. **ALL VISITORS AND BYSTANDERS MUST** wear the same safety equipment that the operator of the tool wears.
5. **ALWAYS check the tool for damaged parts.** Before further use of the tool, a guard or other part that is damaged should be carefully checked to determine if it will operate properly and perform its intended function. Check for misalignment or binding of moving parts, breakage of parts, and any other condition that may affect the tool's operation. A guard or other part that is damaged should be properly repaired or replaced at a qualified service center.
6. **SAVE THESE INSTRUCTIONS.** Refer to them frequently and use them to instruct others who may use this tool. If someone borrows this tool, make sure they have these instructions also.

UNPACKING

1. The trimmer comes in **2 pcs. (Upper and Lower Shafts)**, that must be connected by hand. The **Safety Guard** must be attached.
2. Remove the **Upper and Lower Shafts and Safety Guard** from the carton and inspect your trimmer.
3. Do not discard box or packing material until all parts are examined.

⚠ WARNING: If any part of the trimmer is missing or damaged, do not plug in the trimmer until the damaged part is repaired or replaced.

Fig. 1



10

DESCRIPTION

KNOW YOUR TRIMMER (Fig. 2, 2a, 2b and 3)

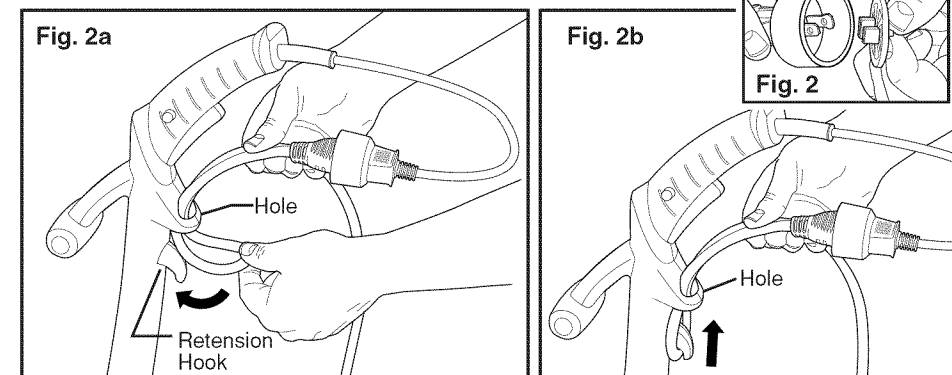
NOTE: Before attempting to use this product, familiarize yourself with all operating features and safety rules.

Your trimmer/edger has a precision built electric motor and it should only be connected to a 120-volt, 60 Hz AC ONLY power supply (normal household current). The trimmer should always be used with a GFCI (Ground Fault Circuit Interrupter) outlet.

DO NOT operate this trimmer on direct current (DC). The large voltage drop would cause a loss of power and the motor would overheat.

If the trimmer does not operate when plugged into correct 120-volt, 60 Hz AC ONLY outlet, check the power supply. The trimmer comes with a 12-in. pigtail power cord and should be plugged into a proper extension cord (see page 6).

PIGTAIL POWER CORD (Figs. 2, 2a and 2b)



Remove the plug guard from the pigtail power cord (see Fig. 2). Make a loop in the extension cord. Push loop through hole above retension hook (see Fig. 2a). Fasten loop around cord retention hook, and pull the cord back. Plug trimmer's power cord into extension cord plug (see Fig. 2b).

Safety, performance and dependability have been given top priority in the design of this product, making it easy to maintain and operate.

This Electric Trimmer has the following features:

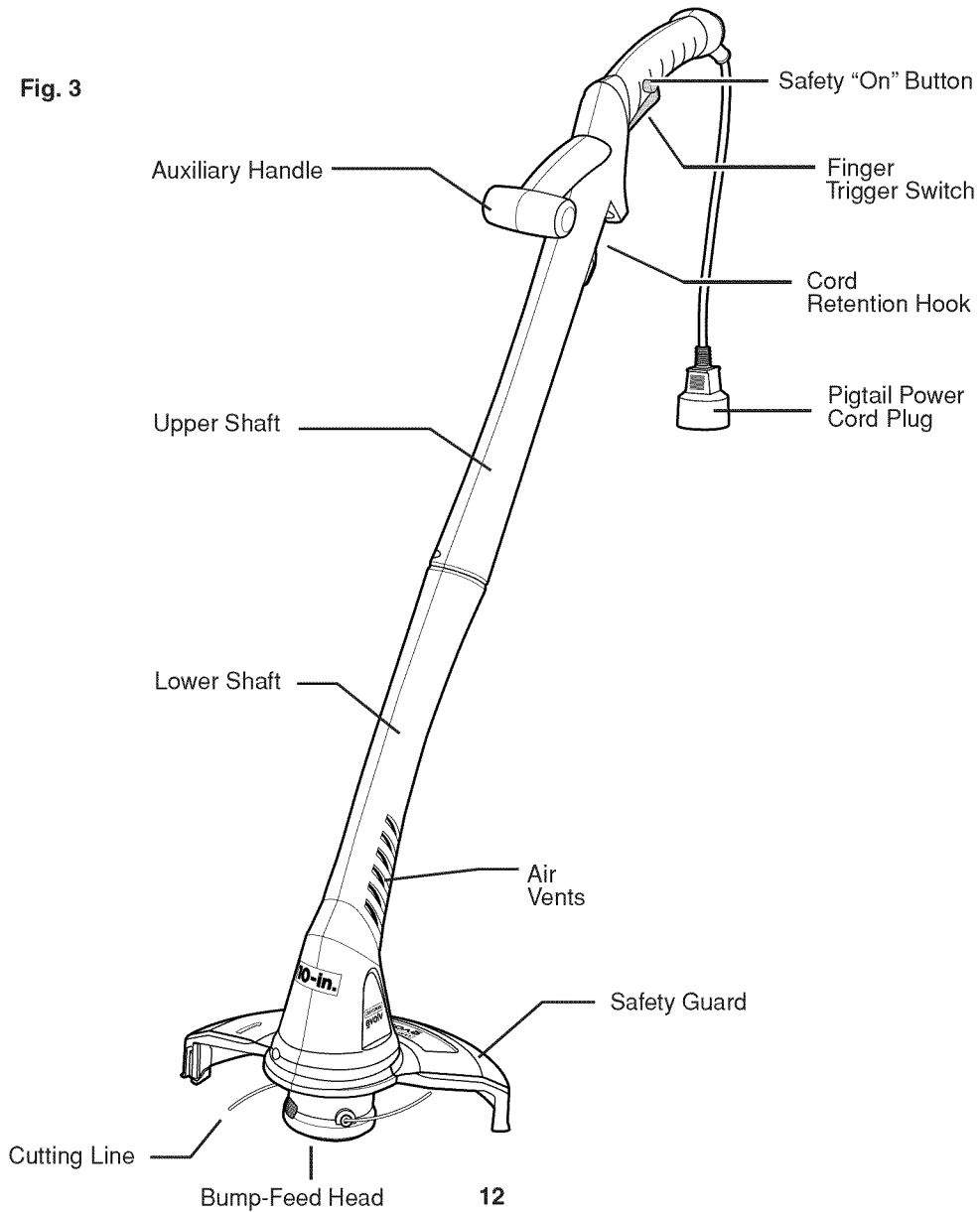
1. **10-inch Cutting Path**
2. **2.2 Amp Electric Corded / 11,000 RPM (no-load speed) motor** for efficient trimming.
3. **Ergonomically Designed Front Auxiliary Handle and Rear Handle** for maximum control and gripping comfort with reduced operator fatigue.
4. **Finger Trigger Switch with Safety "On" Button.** Safety On button must be depressed to operate trigger switch.
5. **Lightweight and Ergonomically Designed** for easy use, handling comfort and efficient trimming.
6. **Bump-Feed Head** allows you to simply bump the trimmer head to advance cutting line.
7. **Your Trimmer uses** Nylon monofilament round single-wound 0.065 inch line.
For Cutting-Line Replacement: Re-load spool with Craftsman line Item 71-85822, 15 ft. bulk pack of Craftsman .065 line (sold separately).

11

DESCRIPTION cont.

This Trimmer has the following features cont.:

- 8. **Cord Retention Hook** helps keep the extension cord in place.
- 9. **Safety Guard** helps keep cuttings and debris away from operator.



DESCRIPTION cont.

SPECIFICATIONS

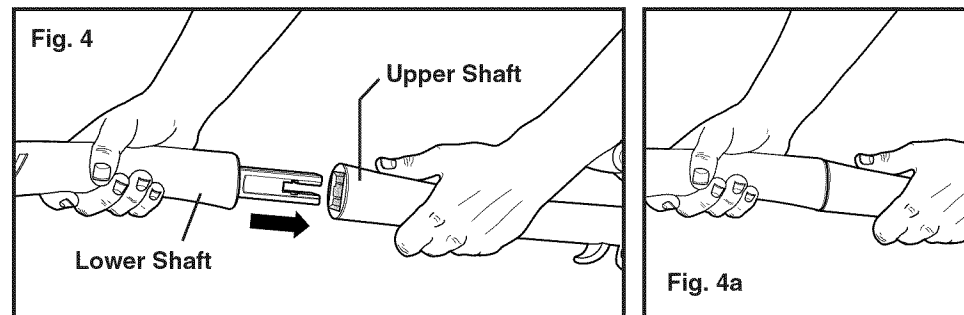
Cutting Path	10 inches
No-Load Speed	11,000 RPM
Rating	2.2 Amp
Line Diameter	Nylon monofilament round single-wound 0.065-in. line
Line Feed Mechanism	Bump feed
Cord Length	12 inch Pigtail power cord
Power Requirement	120-volt, 60 Hertz AC Only

ASSEMBLY & ADJUSTMENTS

ASSEMBLING THE TRIMMER SHAFT (Figs. 4 and 4a)

1. First make sure the cable is not twisted. Locate the **Lower Shaft (A)** into the **Upper Shaft (B)**. Grasp both the Lower and Upper Shafts and Push firmly together until a click can be heard (see Figs 4 and 4a).

NOTE: Once the Upper and Lower Shaft is assembled it can not be disassembled. Ensure internal cable is not trapped or twisted.



INSTALLING THE SAFETY GUARD (Figs. 5)

NOTE: THE GUARD MUST BE ATTACHED to the trimmer head before use.

⚠ WARNING: The guard must always be on the tool to protect the user

1. Disconnect the trimmer from the power supply.
2. Turn the trimmer's motor housing head over to provide access to underside base of the head by the cutting line spool.
3. Locate the screw in the base of the trimmer head and remove the screw.

ASSEMBLY & ADJUSTMENTS cont.

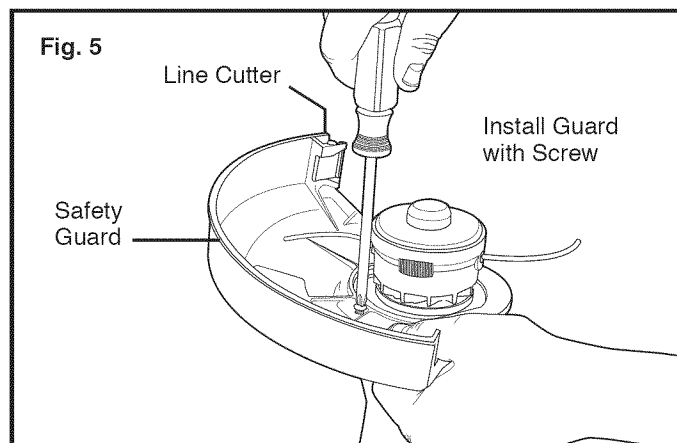
INSTALLING THE SAFETY GUARD cont. (Figs. 5 and 5a)

4. Attach the Safety Guard to the trimmer head making sure the sides are located into the grooves.
5. Insert the edge of the guard into the slot along the back of the trimmer's head, carefully lining the screw hole in the guard up with the screw hole in the trimmer head.
6. Insert screw and securely attach the safety guard (see Fig. 5).

⚠ WARNING: To avoid injury, ALWAYS turn off and disconnect the trimmer from the power outlet BEFORE installing parts or cleaning the trimmer or making any adjustments.

NOTE: Safety Guard will only fit one way.

⚠ CAUTION: Line cutter on edge of safety guard is sharp. Use caution when handling.



OPERATION

⚠ WARNING: To avoid injury, DO NOT carry the trimmer with your finger on the trigger switch.

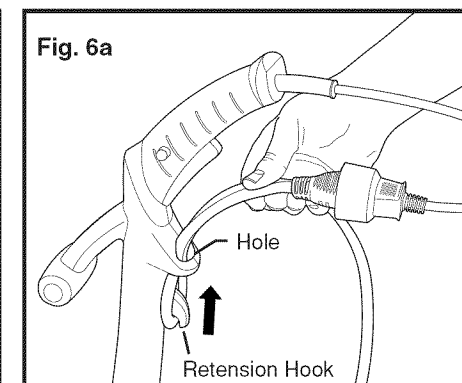
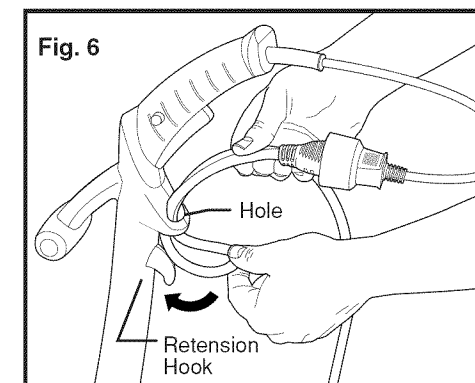
⚠ WARNING: If any part of the trimmer is missing or damaged, do not plug in the trimmer until the damaged part is repaired or replaced.

OPERATION cont.

PIGTAIL POWER CORD (See Figs. 6 and 6a)

Your edger trimmer has a 12-inch pigtail power cord. This cord must be attached to a proper extension cord. Refer to Figs. 6 and 6a for attaching extension cord.

For strain relief of the cable, make a loop in the extension cord. Push loop through hole located above the retention hook (see Fig. 6). Fasten loop around cord retention hook, and pull the cord back (see Fig. 6a).



TURNING TRIMMER ON AND OFF

Your trimmer has an extended length (finger) ON / OFF trigger switch.

Turning Trimmer ON

1. Plug the trimmer's pigtail power cord into extension cord.
2. Plug extension into power outlet.
3. Press down the safety "ON" button and then squeeze trigger switch to start trimmer.
4. The trimmer will stay ON as long as the trigger switch is squeezed.

Turning Trimmer OFF

1. Release the trigger switch to turn trimmer OFF.
2. Allow at least 5 seconds for the cutting spool (line) to stop rotating.

⚠ WARNING: The cutting head continues to rotate after the trimmer has been switched off. Wait until it has stopped then lay down the tool.

OPERATION cont.

TRIMMING (Figs. 7)

While trimming, move the trimmer from left to right, keeping it well away from the body.

Tilt the front of the trimmer head to cut shorter grass.

DO NOT overload your trimmer. Overloading your trimmer can be avoided by making sure the motor speed does not drop too much while trimming. (See Fig. 7).

⚠ WARNING: Always wear eye protection. Never lean over the trimmer head. Rocks or debris can ricochet or be thrown into the eyes and face and cause blindness or other serious injury.

Wear eye protection and heavy clothing. Hold front handle with one hand and auxiliary handle with the other hand. Keep unit below waist level. Work only from your right to your left to ensure debris is thrown away from you. Without bending over, keep line near and parallel to the ground (perpendicular when edging) and not crowded into material being cut.

Make sure that line is fed out before operation. Make sure motor is running at full speed before trimming.

Use only 0.065" diameter cutting line. Other sizes of line will not feed properly and will result in improper cutting head function or can cause serious injury. Do not use other material such as wire, string, rope, etc. Wire can break off during cutting and become a dangerous missile that can cause serious injury.

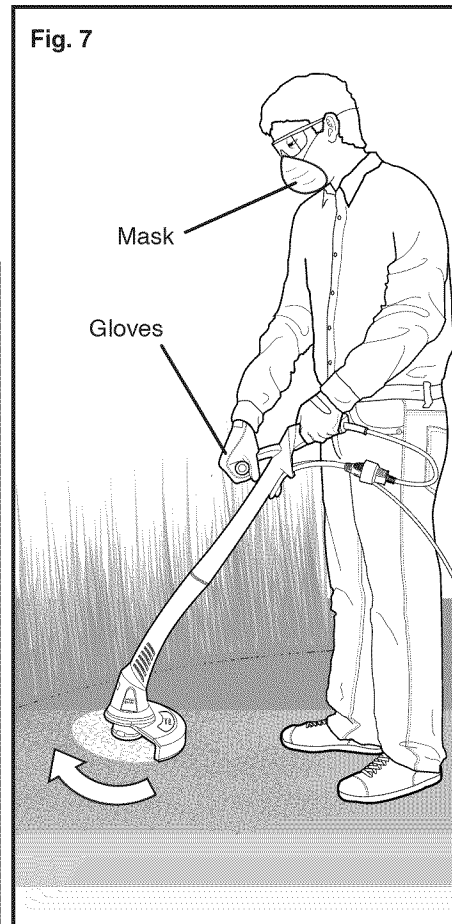
Cutting Around Trees and Bushes

Carefully cut around trees and bushes so that they do not come into contact with the cutting line. **Plants can die if you damage the bark.**

NOTE: ALWAYS keep the air vents on the trimmer head (motor housing) free of obstructions when operating the trimmer.

⚠ WARNING: The operation of any trimmer can result in FOREIGN OBJECTS BEING THROWN, which can result in personal injury or property damage. ALWAYS use proper safety equipment and keep bystanders safely away.

Fig. 7



OPERATION cont.

THE CUTTING LINE

⚠ WARNING: DO NOT grasp the exposed cutting line when picking up or holding the trimmer.

Nylon monofilament round single-wound 0.065 inch line is pre-installed on the trimmer. For Cutting-Line Replacement: Re-load spool with Craftsman line Item 71-85822, 15 ft. bulk pack of Craftsman .065 line (sold separately).

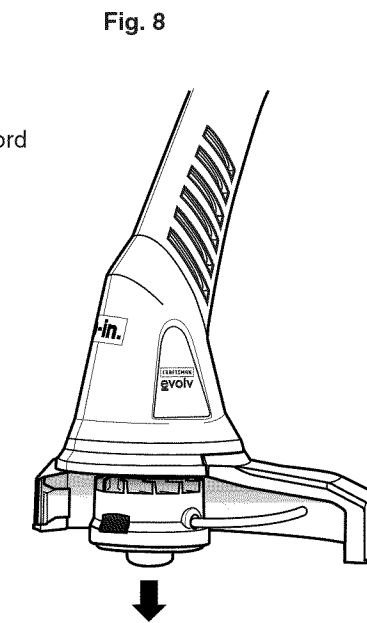
EXTENDING THE CUTTING LINE (Fig. 8)

During operation, cutting lines shorten due to normal wear. For greater convenience and efficiency, your trimmer has been equipped with a bump feed head that allows you to simply bump the trimmer head to extend the cutting lines while the trimmer is operating. Cutting line will wear faster and require more feeding if the cutting or edging is done along sidewalks or other abrasive surfaces or heavier weeds are being cut.

1. While the trimmer is on and spinning, gently bump the spool housing on a firm surface (hard ground or sidewalk). This should release additional cutting line from the spool.
2. If no line is released, bump the trimmer head more sharply or try bumping it on a firmer surface.
3. If there is no change in the cutting line length, **un-plug the trimmer's pigtail power cord from the extension cord.** After the trimmer head stops rotating, gently pull at the cutting lines **manually.** Once the lines are pulled out (extended), plug the trimmer's pigtail power cord into the extension cord and resume cutting.
4. If the cutting line still does not feed from the spool, the spool might be empty or the cutting line may be tangled or jammed on the spool. **Un-plug the trimmer's pigtail power cord from the extension cord.** After the trimmer head stops rotating, remove the spool (see steps 1 through 3 in "Removing the Spool" on page 18).

If the line is tangled or jammed, untangle and replace the line (see page 18). If the spool is empty, replace the line (see pages 18-19).

Bump on firm surface



⚠ WARNING: To avoid injury, ALWAYS turn off and disconnect the trimmer from the power outlet BEFORE installing parts or cleaning the trimmer or making any adjustments.

OPERATION cont.

TO REPLACE CUTTING LINE (Fig. 9)

REMOVE THE SPOOL

NOTE: Do not use heavier lines than recommended in this manual.

Your Trimmer uses Nylon monofilament round single-wound 0.065 inch line. For Cutting-Line Replacement: Re-load spool with Craftsman line Item 71-85822, 15 ft. bulk pack of Craftsman .065 line (sold separately).

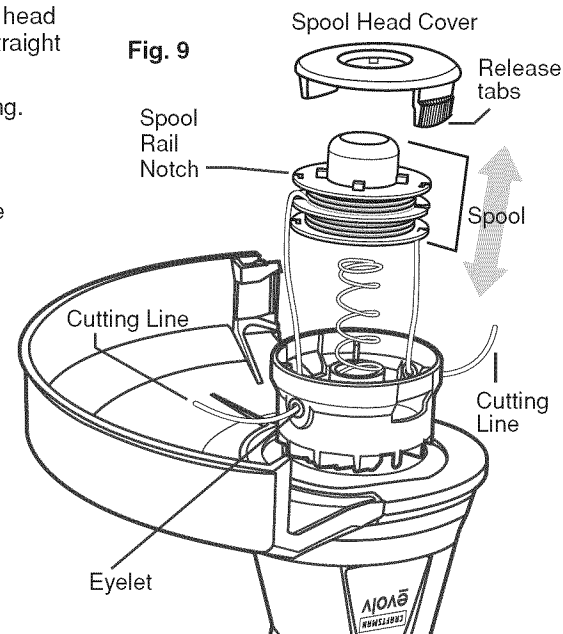
1. Disconnect the trimmer from the power supply. Turn trimmer over to access spool head cover.

⚠ WARNING: To avoid injury, ALWAYS turn off and disconnect the trimmer from the power outlet BEFORE installing parts or cleaning the trimmer or making any adjustments.

2. Press the release tabs on the spool head cover and remove cover, pulling it straight off of spool.
3. Lift the spool out of the spool housing.

REPLACE THE SPOOL

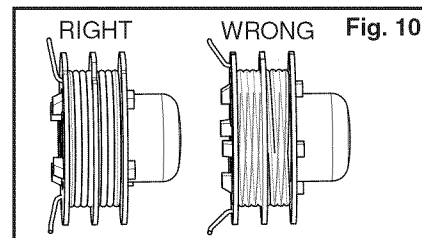
1. First refill the Spool with proper size Cutting Line (see Fig.10)
2. Insert the end of one line through an eyelet in the spool housing. Insert the other line through the other eyelet.
3. Insert the spool into housing and press it down gently until you feel it drop into place. Take care to keep the line from becoming trapped under the spool.
4. Snap the spool head cover back on and at the same time pull lines and be sure that they are released from spool rail notch.



FILLING SPOOL WITH CUTTING LINE (Fig. 10)

You may wind new cutting line onto an empty spool. Replacement bulk packs of 0.065 inch Craftsman Cutting Line 71-85822 are available from your qualified store.

1. Remove the empty spool from the tool as described in "REMOVE THE SPOOL" above.
2. Remove any remaining cutting line from the spool.
3. First wind new line onto the uppermost part of the spool. Feed 3/4 inch of cutting line into one of the line spool rail notches. Wind the cutting line onto the spool in the direction of the arrow on the spool. Make sure to wind the line neatly and in layers Do not crisscross (see Fig. 10).



OPERATION cont.

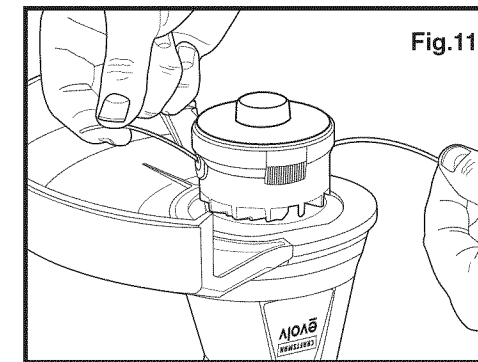
FILLING SPOOL WITH CUTTING LINE cont. (Fig. 10)

4. When the wound cutting line reaches the eyelets (recesses), cut the line. Temporarily park the line in the spool rail notch on one side of the spool as shown in Fig. 10.
5. Repeat the above procedure for the second cutting line on the lower section of the spool.
6. Fit the spool onto the tool as described in "REPLACE THE SPOOL" page 18.

⚠ CAUTION: Before you begin trimming, only use the appropriate type of cutting line. Ensure that cutting line is present in both sections of the spool (Fig. 10).

MANUALLY FEEDING THE LINE (Fig. 11)

Press and release the manual line feed button, located on the side of the cutting head, while gently pulling out the lines until it reaches the line cutter. When the required amount of line is fed out, gently pull on the second line (there is no need to press the manual line feed button again). If the line extends past the line cutter, too much line has been fed out. If too much line is fed out, remove the spool cap and click the spool counter-clockwise until the line is at the desired length.



OPERATING TIPS

1. Before each use make sure the protective safety guard is securely installed. Tighten the guard screws, but **DO NOT** over tighten.
2. **Before trimming**, inspect the area for string, wire, branches, rocks, toys, or other objects that could be entangled in or thrown by the cutting line.
3. Stand with the cutting head tipped down at an angle in front, guiding the trimmer in a semi-circular motion around you.
4. Cut from left to right whenever possible. Cutting to the right improves the unit's cutting efficiency and clippings are thrown away from the operator.
5. To produce a smoothly trimmed area, move the trimmer in and out of the area being cut with constant speed and height.
6. Use only the tip of the cutting line to do the trimming, especially near walls and fences. Trimming with the side of the cutting line may overload the motor, wear out the line faster, and break the line more often.
7. **DO NOT** rest the trimmer spool on the ground while you are trimming. This will cause spool wear.
8. When cutting vegetation that is over 6 inches in height, work from top to bottom in small increments to avoid premature line wear or engine drag.
9. When the trimmer is stopped and the spool stops rotating, the cutting line will relax and may recede. Feed extra cutting line before storing the trimmer to prevent losing the line in the spool housing.
10. If the diameter of the cutting area gets smaller, the line is worn down and needs to be advanced.
11. If the trimmer is not cutting correctly, the cutting line may not be feeding properly. Remove and rewind the line spool.

MAINTENANCE

⚠ WARNING: To avoid injury, ALWAYS turn off and disconnect the trimmer from the power outlet BEFORE installing line, cleaning the trimmer or making any adjustments.

GENERAL MAINTENANCE

Keep your trimmer clean and in good repair for maximum long-lasting performance. Before each use, inspect the switch and cord for damage.

Check for damaged, missing, or worn parts. Check for loose screws, misalignment, moving parts that are jammed, or any other conditions that may affect the operation. If abnormal vibration or noise occurs, turn off the tool immediately and have the problem corrected before further use.

DO NOT use the trimmer if it has any broken parts. Have damaged, missing, worn or broken parts replaced before using trimmer.

When servicing a tool, use only identical replacement parts. Use of unauthorized parts or failure to follow maintenance instructions may create a risk of electric shock or injury.

CLEANING

⚠ WARNING: To avoid injury, ALWAYS turn off and disconnect the trimmer from the power outlet BEFORE installing line, cleaning the trimmer or making any adjustments.

⚠ WARNING: To avoid damage or electric shock, DO NOT use strong solvents or detergents on the plastic housing or plastic components. Certain household cleaners may damage plastic and may also cause a shock hazard.

Wipe the outside of the trimmer with a dry, soft cloth.

DO NOT hose down or wash the trimmer with water. Scrape the guard and spool area to remove dried clippings and mud. Brush or blow dust, debris and grass clippings out of the air vents

ALWAYS keep the air vents free from obstruction when operating the trimmer.

ACCESSORIES

⚠ WARNING: The use of attachments or accessories (cutting line) that are not recommended for this tool will be dangerous and can result in serious personal injury. Do not attempt to use fishing line or other lines that are not recommended.

REPLACEMENT CUTTING LINE

If you are replacing the cutting line, **ONLY** use nylon monofilament round single-wound 0.065 inch line (Craftsman Cutting Line 71-85822).

Cutting Line available at Sears Stores or other Craftsman outlets.

Visit your local Sears store or other Craftsman outlets or shop sears.com/craftsman.

⚠ WARNING: To avoid injury, ALWAYS turn off and disconnect the trimmer from the power outlet BEFORE installing line, cleaning the trimmer or making any adjustments.

NEED MORE HELP?

You'll find the answer and more on managemyhome.com – for free!

- Find this and all your other product manuals online.
- Get answers from our team of home experts.
- Get a personalized maintenance plan for your home.
- Find information and tools to help with home projects.

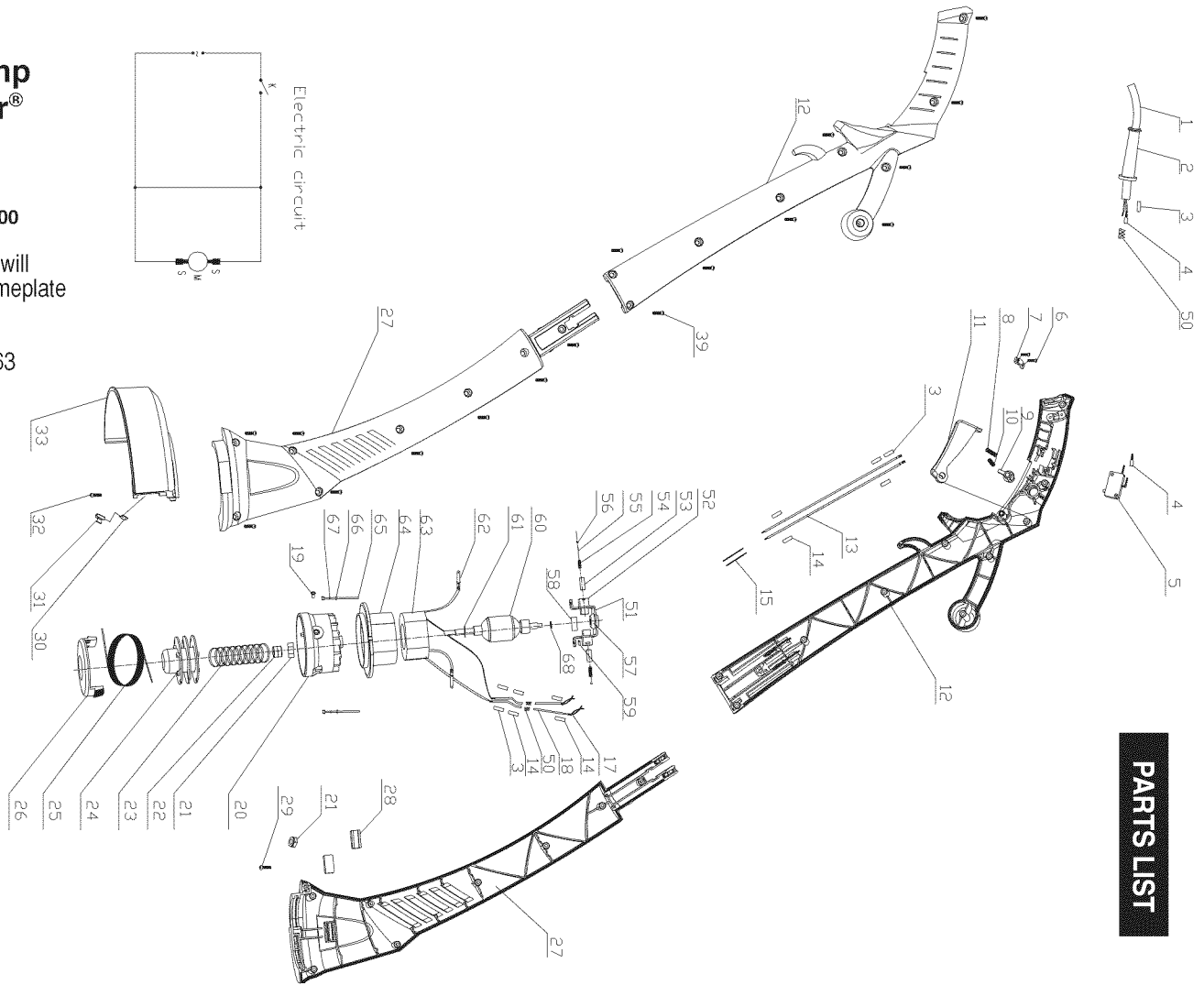
manage my home

brought to you by Sears

10-in. 2.2 Amp Weedwacker® Electric Trimmer

Model No. 172.740100

The model number will be found on the nameplate of the Trimmer.
To order parts, call 1-800-469-4663



PARTS LIST

22

23

10-in. 2.2 Amp Weedwacker® Electric Trimmer

Model No. 172.740100

The model number will be found on the nameplate of the Trimmer. To order parts, call 1-800-469-4663

PARTS LIST

Item No.	Parts No.	Part Description	Qty.
1	GGT260MU-1	Power Cable And Plug	1
2	GGT260MU-2	Cable Jacket	1
3	GGT260MU-3	Thermal Shrinkage Pipe	5
4	GGT260MU-4	Terminal Block	2
5	GGT260MU-5	Microswitch	1
6	GGT260MU-6	Screw	2
7	GGT260MU-7	Press Plate	1
8	GGT260MU-8	Spring	1
9	GGT260MU-9	Safety Button	1
10	GGT260MU-10	Safety Spring	1
11	GGT260MU-11	Power Button	1
12	GGT260MU-12	Left/Right Handle	1
13	GGT260MU-13	Inner Wire I	2
14	GGT260MU-14	Shrinkable Tube	7
15	GGT260MU-15	Terminal I	2
17	GGT260MU-17	Terminal II	2
18	GGT260MU-18	Inner Wire II	2
19	GGT260MU-19	Cuprum Rivet	2
20	GGT260MU-20	Spool Seat	1
21	GGT260MU-21	Nut	2
22	GGT260MU-22	Cap	1
23	GGT260MU-23	Spring	1
24	GGT260MU-24	Spool	1
25	GGT260MU-25	Nylong Line	1
26	GGT260MU-26	Spool Cover	1
27	GGT260MU-27	Left/Right Housing	1
28	GGT260MU-28	Rubber Block	2

Item No.	Parts No.	Part Description	Qty.
29	GGT260MU-29	Screw	1
30	GGT260MU-30	Line-Cut Blade	1
31	GGT260MU-31	Blade Jacket	1
32	GGT260MU-32	Screw	1
33	GGT260MU-33	Guard	1
39	GGT260MU-39	Screw	18
50	GGT260MU-50	Jagged Button	3
51	GGT260MU-51	Front Bracket	1
52	GGT260MU-52	Brush Holder	2
53	GGT260MU-53	Carbon Brush(pair)	1
54	GGT260MU-54	Spring	2
55	GGT260MU-55	Carbon Brush Line	2
56	GGT260MU-56	Carbon Brush Cap	2
57	GGT260MU-57	Bearing	1
58	GGT260MU-58	Washer	1
59	GGT260MU-59	Cuprum Rivet	2
60	GGT260MU-60	Rotor	1
61	GGT260MU-61	Washer	1
62	GGT260MU-62	Plug	2
63	GGT260MU-63	Stator	1
64	GGT260MU-64	Rear Bracket	1
65	GGT260MU-65	Bolt	2
66	GGT260MU-66	Washer	2
67	GGT260MU-67	Washer	2
68	GGT260MU-68	Washer	1

CRAFTSMAN[®]

evolv[®]

— durable, affordable, everyday tools.

