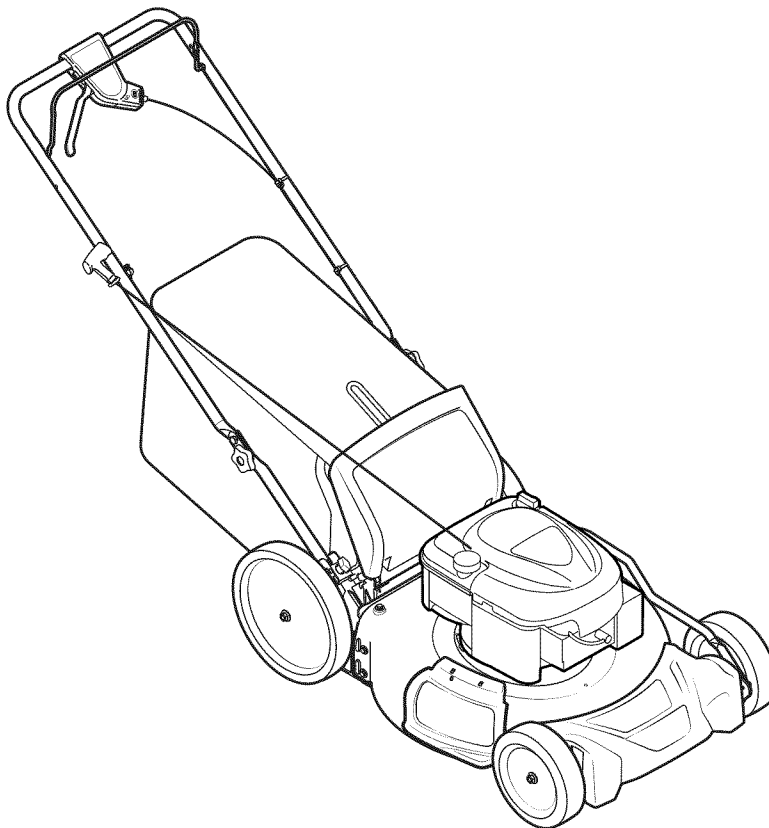


Operator's Manual



21" LAWN MOWER

Model No. 247.374900



CAUTION: Before using this product, read this manual and follow all safety rules and operating instructions.

- SAFETY
- ASSEMBLY
- OPERATION
- MAINTENANCE
- PARTS LIST
- ESPAÑOL

Sears Brands Management Corporation, Hoffman Estates, IL 60179, U.S.A.

Visit our website: www.craftsman.com

Form No. 769-08575
(December 19, 2012)

TABLE OF CONTENTS

Warranty Statement.....	Page 2	Off-Season Storage.....	Page 19
Safety Instructions	Pages 3-6	Troubleshooting	Page 20-21
Slope Guide	Page 7	Parts List.....	Page 22-30
Assembly	Pages 8-11	Español.....	Page 33
Operation	Pages 12-14	Service Numbers.....	Back Cover
Service and Maintenance.....	Pages 15-18		

WARRANTY STATEMENT

CRAFTSMAN TWO YEAR FULL WARRANTY

For two years from the date of purchase, this product is warranted against any defects in material or workmanship. Defective product will receive free repair or free replacement if repair is unavailable.

For warranty coverage details to obtain repair or replacement, visit the web site: www.craftsman.com.

This warranty covers ONLY defects in material and workmanship. Warranty coverage does NOT include:

- Expendable items which can wear out from normal use within the warranty period, such as mower blades, blade adapters, belts, filters, or spark plugs.
- Product damage resulting from user attempts at product modification or repair or caused by product accessories.
- Repairs necessary because of accident or failure to operate or maintain the product according to all supplied instructions.
- Preventative maintenance or repairs necessary due to improper fuel mixture, contaminated or stale fuel.

This warranty is void if this product is ever used while providing commercial services or if rented to another person.

This warranty gives you specific legal rights, and you may also have other rights which vary from state to state.

Sears Brands Management Corporation, Hoffman Estates, IL 60179

PRODUCT SPECIFICATIONS

Engine Oil: SAE 30
Fuel: Unleaded Gasoline
Engine: Briggs & Stratton

MODEL NUMBER

Model Number _____
Serial Number _____
Date of Purchase _____

Record the model number, serial number,
and date of purchase above.

SAFETY INSTRUCTIONS

WARNING

This symbol points out important safety instructions which, if not followed, could endanger the personal safety and/or property of yourself and others. Read and follow all instructions in this manual before attempting to operate this machine. Failure to comply with these instructions may result in personal injury. When you see this symbol, HEED ITS WARNING!

WARNING

CALIFORNIA PROPOSITION 65

Engine Exhaust, some of its constituents, and certain vehicle components contain or emit chemicals known to State of California to cause cancer and birth defects or other reproductive harm.

DANGER

This machine was built to be operated according to the safe operation practices in this manual. As with any type of power equipment, carelessness or error on the part of the operator can result in serious injury. This machine is capable of amputating fingers, hands, toes and feet and throwing debris. Failure to observe the following safety instructions could result in serious injury or death.

WARNING

Your Responsibility—Restrict the use of this power machine to persons who read, understand and follow the warnings and instructions in this manual and on the machine.

SAVE THESE INSTRUCTIONS!

GENERAL OPERATION

- Read this operator's manual carefully in its entirety before attempting to assemble this machine. Read, understand, and follow all instructions on the machine and in the manuals before operation. Keep this manual in a safe place for future and regular reference and for ordering replacement parts
- Be completely familiar with the controls and the proper use of this machine before operating it.
- This machine is a precision piece of power equipment, not a plaything. Therefore, exercise extreme caution at all times. This machine has been designed to perform one job: to mow grass. Do not use it for any other purpose.
- Never allow children under 14 years of age to operate this machine. Children 14 and over should read and understand the instructions and safe operation practices in this manual and on the machine and should be trained and supervised by an adult.
- Only responsible individuals who are familiar with these rules of safe operation should be allowed to use this machine.
- Thoroughly inspect the area where the equipment is to be used. Remove all stones, sticks, wire, bones, toys and other foreign objects, which could be tripped over or picked up and thrown by the blade. Thrown objects can cause serious personal injury.
- Plan your mowing pattern to avoid discharge of material toward roads, sidewalks, bystanders and the like. Also, avoid discharging material against a wall or obstruction, which may cause discharged material to ricochet back toward the operator.
- To help avoid blade contact or a thrown object injury, stay in operator zone behind handles and keep children, bystanders, helpers and pets at least 75 feet from mower while it is in operation. Stop machine if anyone enters area.
- Always wear safety glasses or safety goggles during operation and while performing an adjustment or repair to protect your eyes. Thrown objects which ricochet can cause serious injury to the eyes.
- Wear sturdy, rough-soled work shoes and close-fitting slacks and shirts. Shirts and pants that cover the arms and legs and steel-toed shoes are recommended. Never operate this machine in bare feet, sandals, slippery or light-weight (e.g. canvas) shoes.
- Do not put hands or feet near rotating parts or under the cutting deck. Contact with blade can amputate fingers, hands, toes and feet.
- A missing or damaged discharge cover can cause blade contact or thrown object injuries.
- Many injuries occur as a result of the mower being pulled over the foot during a fall caused by slipping or tripping. Do not hold on to the mower if you are falling: release the handle immediately.
- Never pull the mower back toward you while you are walking. If you must back the mower away from a wall or obstruction first look down and behind to avoid tripping and then follow these steps:
 - a. Step back from mower to fully extend your arms forward.
 - b. Be sure you are well balanced with sure footing.
 - c. Pull the mower back slowly, no more than half way toward you.
 - d. Repeat these steps as needed.
- Do not operate the mower while under the influence of alcohol or drugs.
- Do not engage the self-propelled mechanism on machines so equipped while starting engine.
- The blade control handle is a safety device. Never attempt to bypass its operation. Doing so makes the safety device inoperative and may result in personal injury through contact with the rotating blade. The blade control handle must operate easily in both directions and automatically return to the disengaged position when released.
- Never operate the mower in wet grass. Always be sure of your footing. A slip and fall can cause serious personal injury. If you feel you are losing your footing, release the blade control handle immediately and the blade will stop rotating within three seconds.
- Mow only in daylight or good artificial light. Walk, never run.
- Stop the blade when crossing gravel drives, walks or roads.

SAFETY INSTRUCTIONS

- If the equipment should start to vibrate abnormally, stop the engine and check immediately for the cause. Vibration is generally a warning of trouble.
- Shut the engine off and wait until the blade comes to a complete stop before removing the grass catcher or unclogging the chute. The cutting blade continues to rotate for a few seconds after the blade control is released. Never place any part of the body in the blade area until you are sure the blade has stopped rotating.
- Never operate mower without proper trail shield, discharge cover, grass catcher, blade control handle or other safety protective devices in place and working. Never operate mower with damaged safety devices. Failure to do so can result in personal injury.
- Muffler and engine become hot and can cause a burn. Do not touch.
- Never attempt to make a wheel or cutting height adjustment while the engine is running.
- Only use parts and accessories made for this machine by the manufacturer as listed in the Parts pages of this Operator's Manual. Failure to do so can result in personal injury.
- When starting engine, pull cord slowly until resistance is felt, then pull rapidly. Rapid retraction of starter cord (kickback) will pull hand and arm toward engine faster than you can let go. Broken bones, fractures, bruises or sprains could result.
- If situations occur which are not covered in this manual, use care and good judgement.
- Keep children out of the mowing area and under watchful care of a responsible adult other than the operator.
- Be alert and turn mower off if a child enters the area.
- Before and while moving backwards, look behind and down for small children.
- Use extreme care when approaching blind corners, doorways, shrubs, trees, or other objects that may obscure your vision of a child who may run into the mower.
- Keep children away from hot or running engines. They can suffer burns from a hot muffler.
- Never allow children under 14 years of age to operate this machine. Children 14 and over should read and understand the instructions and safe operation practices in this manual and on the machine and be trained and supervised by an adult.

SERVICE

Safe Handling of Gasoline:

To avoid personal injury or property damage use extreme care in handling gasoline. Gasoline is extremely flammable and the vapors are explosive. Serious personal injury can occur when gasoline is spilled on yourself or your clothes which can ignite. Wash your skin and change clothes immediately.

- Use only an approved gasoline container.
- Never fill containers inside a vehicle or on a truck or trailer bed with a plastic liner. Always place containers on the ground away from your vehicle before filling.
- Remove gas-powered equipment from the truck or trailer and refuel it on the ground. If this is not possible, then refuel such equipment on a trailer with a portable container, rather than from a gasoline dispenser nozzle.
- Keep the nozzle in contact with the rim of the fuel tank or container opening at all times until fueling is complete. Do not use a nozzle lock-open device.
- Extinguish all cigarettes, cigars, pipes and other sources of ignition.
- Never fuel machine indoors because flammable vapors will accumulate in the area.
- Never remove gas cap or add fuel while engine is hot or running. Allow engine to cool at least two minutes before refueling.
- Never over-fill fuel tank. To allow for expansion of the fuel, do not fill above the bottom of the fuel tank neck.
- Replace gasoline cap and tighten securely.
- If gasoline is spilled, wipe it off the engine and equipment. Move machine to another area. Wait 5 minutes before starting engine.
- Never store the machine or fuel container near an open flame, spark or pilot light as on a water heater, space heater, furnace, clothes dryer or other gas appliances.
- To reduce fire hazard, keep machine free of grass, leaves, or other debris build-up. Clean up oil or fuel spillage and remove any fuel-soaked debris.
- Allow machine to cool at least 5 minutes before storing.

SLOPE OPERATION

Slopes are a major factor related to slip and fall accidents, which can result in severe injury. Operation on slopes requires extra caution. If you feel uneasy on a slope, do not mow it. For your safety, use the Slope Guide included as part of this manual to measure slopes before operating this machine on a sloped or hilly area. If the slope is greater than 15 degrees, do not mow it.

Do:

- Mow across the face of slopes; never up and down. Exercise extreme caution when changing direction on slopes.
- Watch for holes, ruts, rocks, hidden objects, or bumps which can cause you to slip or trip. Tall grass can hide obstacles.
- Always be sure of your footing. A slip and fall can cause serious personal injury. If you feel you are losing your balance, release the blade control handle immediately and the blade will stop rotating within three (3) seconds.

Do Not:

- Do not mow near drop-offs, ditches or embankments, because you could lose your footing or balance.
- Do not mow slopes greater than 15 degrees as shown on the slope guide.
- Do not mow on wet grass. Unstable footing could cause slipping.

CHILDREN

Tragic accidents can occur if the operator is not alert to the presence of children. Children are often attracted to the mower and the mowing activity. They do not understand the dangers. Never assume that children will remain where you last saw them.

SAFETY INSTRUCTIONS

General Service:

- Never run an engine indoors or in a poorly ventilated area. Engine exhaust contains carbon monoxide, an odorless and deadly gas.
- Before cleaning, repairing, or inspecting, make certain the blade and all moving parts have stopped. Disconnect the spark plug wire and ground against the engine to prevent unintended starting.
- Check the blade and engine mounting bolts at frequent intervals for proper tightness. Also, visually inspect blade for damage (e.g., bent, cracked, worn). Replace blade with the original equipment manufacturer's (O.E.M.) blade only, listed in the Parts pages of this manual. Use of parts which do not meet the original equipment specifications may lead to improper performance and compromise safety!
- Mower blades are sharp and can cut. Wrap the blade or wear gloves, and use extra caution when servicing them.
- Keep all nuts, bolts, and screws tight to be sure the equipment is in safe working condition.
- Never tamper with safety devices. Check their proper operation regularly.
- After striking a foreign object, stop the engine, disconnect the spark plug wire and ground against the engine. Thoroughly inspect the mower for any damage. Repair the damage before starting and operating the mower.
- Never attempt to make a wheel or cutting height adjustment while the engine is running.
- Grass catcher components, discharge cover, and trail shield are subject to wear and damage which could expose moving parts or allow objects to be thrown. For safety protection, frequently check components and replace immediately with original equipment manufacturer's (O.E.M.) parts only, listed in the Parts pages of this manual. Use of parts which do not meet the original equipment specifications may lead to improper performance and compromise safety!
- Do not change the engine's governor setting or over-speed the engine. The governor controls the maximum safe operating speed of the engine.
- Check fuel line, tank, cap, and fittings frequently for cracks or leaks. Replace if necessary.
- Do not crank engine with spark plug removed.
- Maintain or replace safety and instruction labels, as necessary.
- Observe proper disposal laws and regulations. Improper disposal of fluids and materials can harm the environment.
- According to the Consumer Products Safety Commission (CPSC) and the U.S. Environmental Protection Agency (EPA), this product has an Average Useful Life of seven (7) years, or 140 hours of operation. At the end of the Average Useful Life have the machine inspected annually by a Sears or other qualified service dealer to ensure that all mechanical and safety systems are working properly and not worn excessively. Failure to do so can result in accidents, injuries or death.

DO NOT MODIFY ENGINE

To avoid serious injury or death, do not modify engine in any way. Tampering with the governor setting can lead to a runaway engine and cause it to operate at unsafe speeds. Never tamper with factory setting of engine governor.

NOTICE REGARDING EMISSIONS

Engines which are certified to comply with California and federal EPA emission regulations for SORE (Small Off Road Equipment) are certified to operate on regular unleaded gasoline, and may include the following emission control systems: Engine Modification (EM), Oxidizing Catalyst (OC), Secondary Air Injection (SAI) and Three Way Catalyst (TWC) if so equipped.

SPARK ARRESTOR

WARNING

This machine is equipped with an internal combustion engine and should not be used on or near any unimproved forest-covered, brushcovered or grass-covered land unless the engine's exhaust system is equipped with a spark arrestor meeting applicable local or state laws (if any).

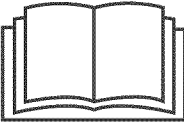



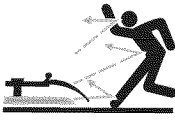




If a spark arrestor is used, it should be maintained in effective working order by the operator. In the State of California the above is required by law (Section 4442 of the California Public Resources Code). Other states may have similar laws. Federal laws apply on federal lands.

A spark arrestor for the muffler is available through your nearest Sears Parts and Repair Service Center.

SAFETY INSTRUCTIONS

SAFETY SYMBOLS

This page depicts and describes safety symbols that may appear on this product. Read, understand, and follow all instructions on the machine before attempting to assemble and operate.

Symbol	Description
	READ THE OPERATOR'S MANUAL(S) Read, understand, and follow all instructions in the manual(s) before attempting to assemble and operate
	DANGER — ROTATING BLADES To reduce the risk of injury, keep hands and feet away. Do not operate unless discharge cover or grass catcher is in its proper place. If damaged, replace immediately.
	DANGER — BYSTANDERS Do not mow when children or others are around.
	DANGER — HAND/ FOOT CUT Keep hands and feet away from rotating parts.
	DANGER — THROWN DEBRIS Remove objects that can be thrown by the blade in any direction. Wear safety glasses.
	DANGER — SLOPES Use extra caution on slopes. Do not mow slopes greater than 15°.
	WARNING—GASOLINE IS FLAMMABLE Allow the engine to cool at least two minutes before refueling.
	WARNING— CARBON MONOXIDE Never run an engine indoors or in a poorly ventilated area. Engine exhaust contains carbon monoxide, an odorless and deadly gas.
	WARNING— HOT SURFACE Engine parts, especially the muffler, become extremely hot during operation. Allow engine and muffler to cool before touching.



WARNING: Your Responsibility—Restrict the use of this power machine to persons who read, understand and follow the warnings and instructions in this manual and on the machine.

SAVE THESE INSTRUCTIONS!

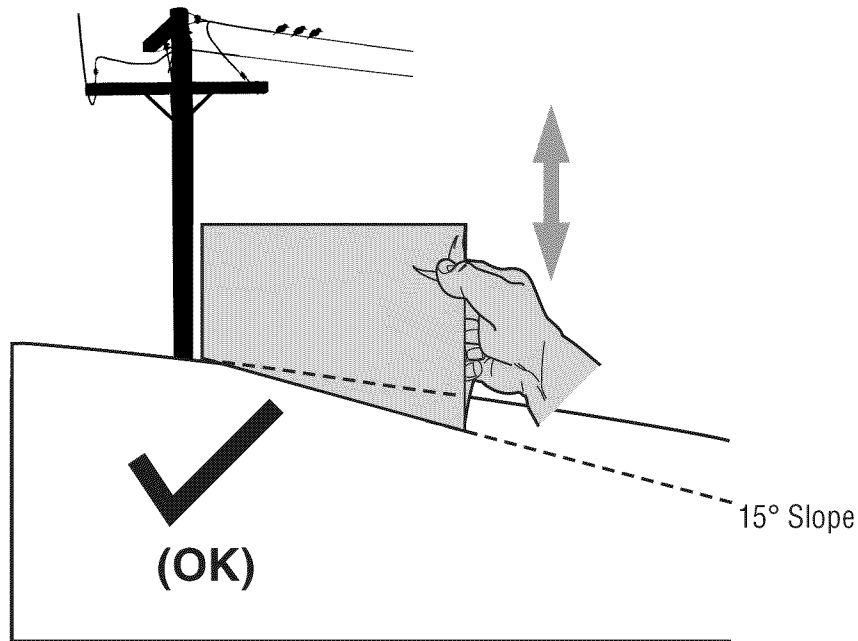


Figure 1

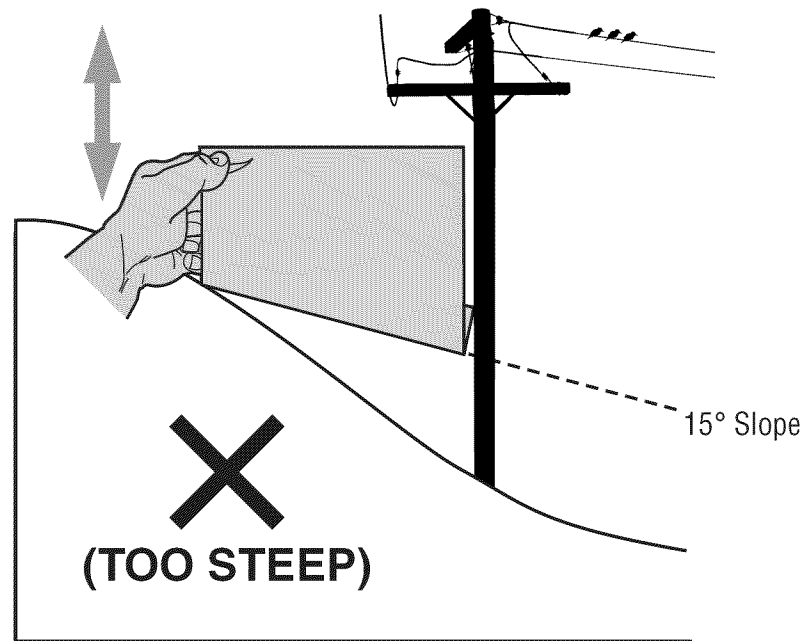


Figure 2

**USE THIS SLOPE GAUGE TO DETERMINE
IF A SLOPE IS TOO STEEP FOR SAFE OPERATION!**

To check the slope, proceed as follows:

1. Remove this page and fold along the dashed line.
2. Locate a vertical object on or behind the slope (e.g. a pole, building, fence, tree, etc.)
3. Align either side of the slope gauge with the object (See Figure 1 and Figure 2).
4. Adjust gauge up or down until the left corner touches the slope (See Figure 1 and Figure 2).
5. If there is a gap below the gauge, the slope is too steep for safe operation (See Figure 2 above).

⚠ WARNING

Slopes are a major factor related to tip-over and roll-over accidents which can result in severe injury or death. Do not operate machine on slopes in excess of 15 degrees. All slopes require extra caution. Always mow across the face of slopes, never mow up and down slopes.

ASSEMBLY

IMPORTANT: This unit is shipped without gasoline or oil in the engine. Be certain to service engine with gasoline and oil as instructed in the Operation section before starting or running your machine.

NOTE: Reference to right and left hand side of the Lawn Mower is observed from the operating position.

OPENING CARTON

1. Cut each corner of the carton vertically from top to bottom.
2. Remove all loose parts.
3. Remove loose packing material.

REMOVING UNIT FROM CARTON

1. Lift unit from the rear to detach it from underlying carton material and roll unit out of carton.
2. Check carton thoroughly for any other loose parts.

Loose Parts In Carton

- Side Discharge Cover
- Grass Catcher
- Engine Oil

Assembly

Attaching The Handle

1. Remove any packing material which may be between upper and lower handles.
 - a. Remove wing nuts and carriage bolts handle as shown in Figure 1. Do not loosen or remove adjacent hex head screws.
 - b. While stabilizing mower so it doesn't move, pivot upper handle up as shown in Figure 2. Do not crimp cable while lifting the handle up.
2. Remove T-bolts from the handle brackets as shown in Figure 3.

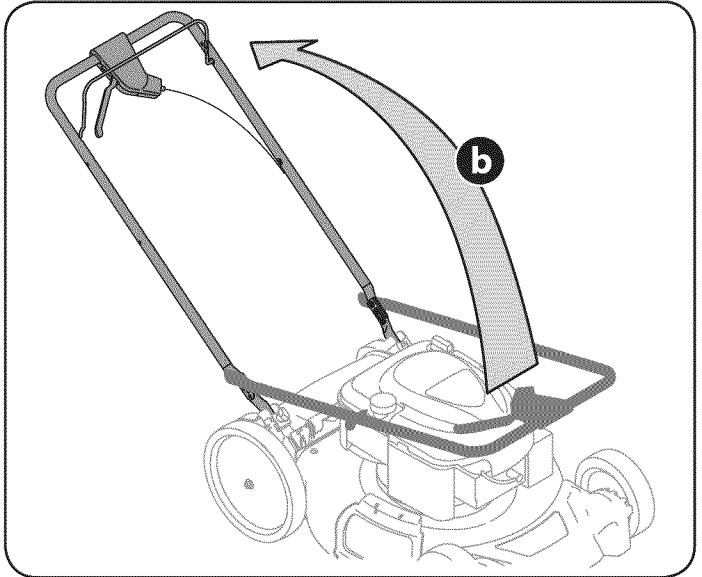


Figure 2

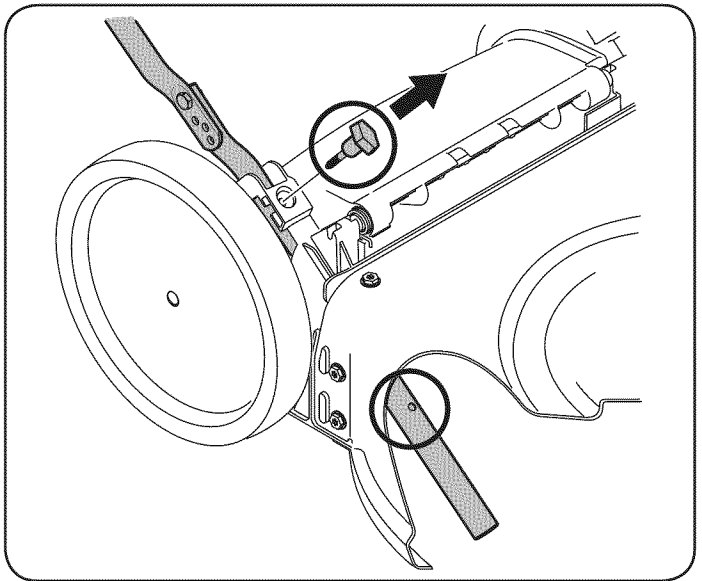


Figure 3

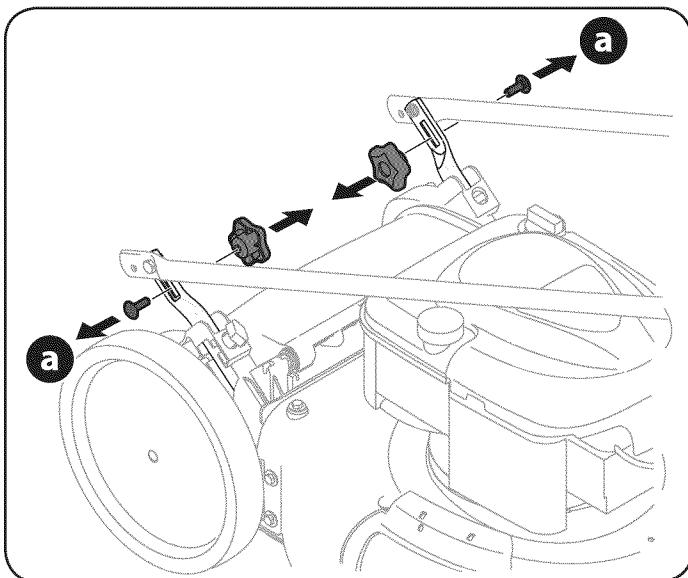


Figure 1

ASSEMBLY

3. Follow the steps below to complete handle assembly:
 - a. Pull upward on the handle until holes in lower handle (shown in Figure 3 deck cutaway) line up with holes in handle bracket. See Figure 4.

NOTE: When pulling upward on handle, make sure to not pull handle all the way out.

 - b. Insert the T-bolts removed in step earlier through the handle brackets and lower handle and tighten securely to secure the handle in place. See Figure 4.
 - c. Reattach wing nuts and carriage bolts removed earlier into lower holes of handle as shown in Figure 5.
4. The rope guide is attached to the right side of the upper handle. Loosen the wing knob which secures the rope guide. Refer to Figure 6.
 - a. Hold blade control against upper handle.
 - b. Slowly pull starter rope handle from engine and slip starter rope into the rope guide. See Figure 6.
 - c. Tighten rope guide wing knob.
 - d. Use cable ties to secure blade control cable to lower handle.

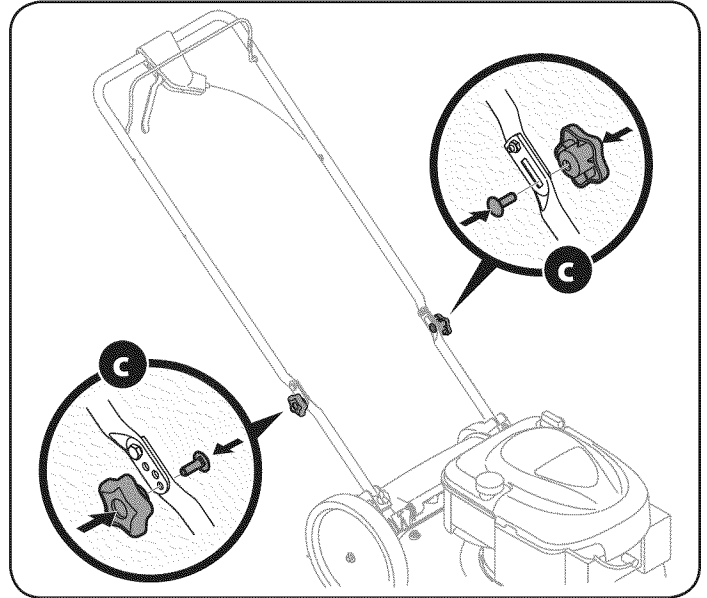


Figure 5

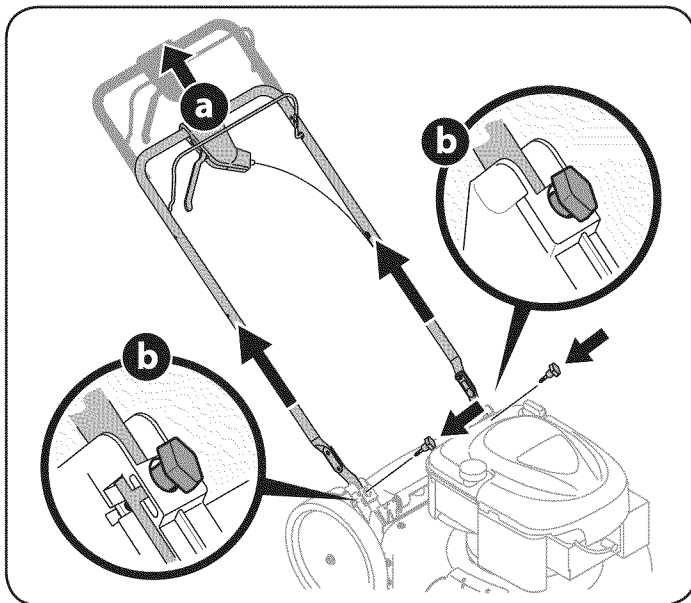


Figure 4

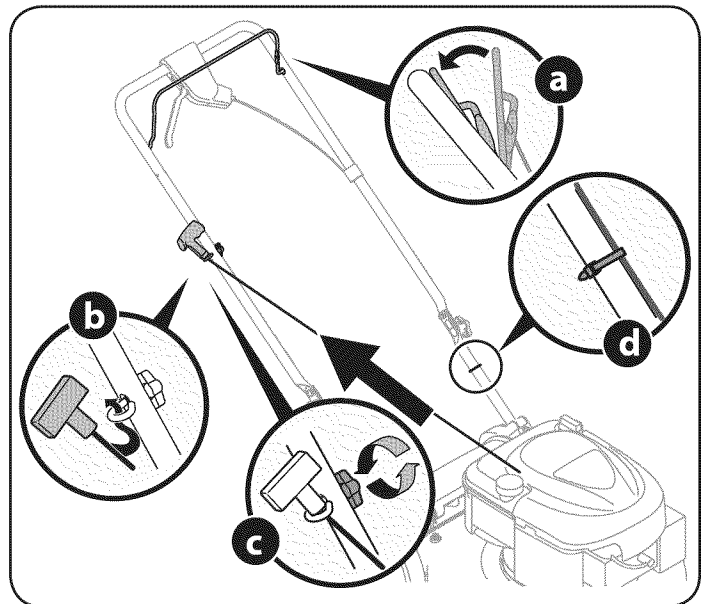


Figure 6

ASSEMBLY

Attaching the Grass Catcher

1. Follow steps below to assemble the grass catcher. Make certain bag is turned right side out before assembling (warning label will be on the outside).
 - a. Place bag over frame so that its black plastic side is at the bottom.
 - b. Slip plastic channel of grass bag over hooks on the frame. See Figure 7.
2. Follow steps below to attach grass catcher:
 - a. Lift rear discharge door.
 - b. Place grass catcher into the slots in the handle brackets as shown in Figure 8. Let go of discharge door so that it rests on the grass catcher.

To remove grass catcher, lift rear discharge door on the mower. Lift grass catcher up and off the slots in the handle brackets. Release rear discharge door to allow it to close rear opening of mower.

Attaching Side Discharge Cover

Your mower is shipped as a mulcher. To convert to side discharge, make sure grass catcher is off of the unit and rear discharge door is closed.

1. On the side of the mower, lift the mulching cover. See Adjustments.
2. Slide two hooks of side discharge cover under hinge pin on mulching cover assembly. See Figure 9. Lower mulching cover. Do not remove side mulching cover at any time, even when you are not mulching.

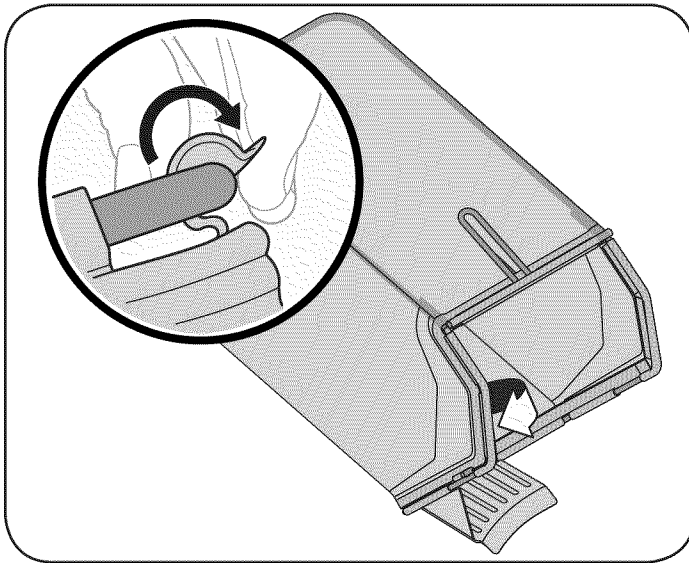


Figure 7

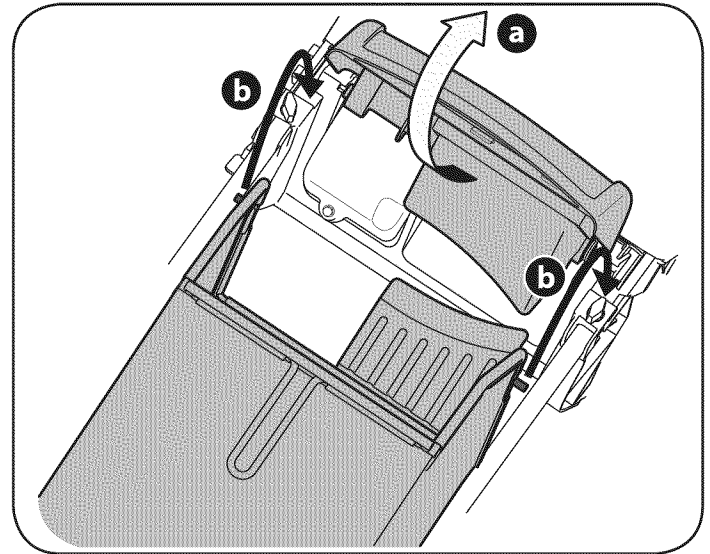


Figure 8

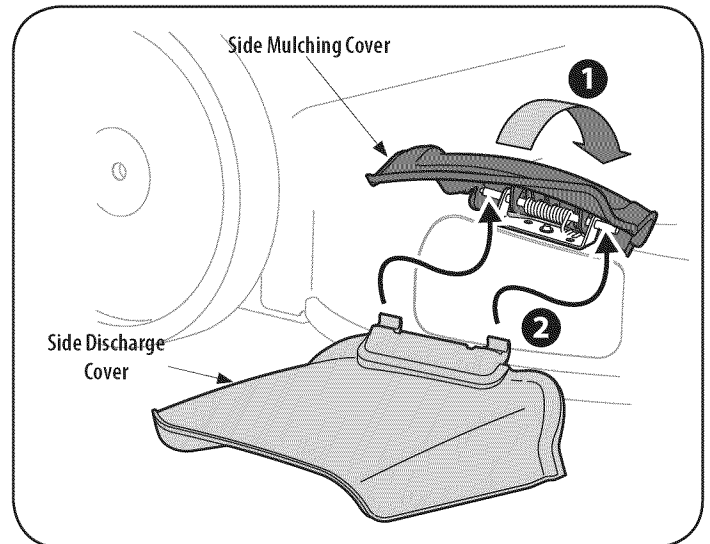


Figure 9

ASSEMBLY

Adjustments

Cutting Height

There is a cutting height adjustment lever located above the rear left wheel.

1. Pull the height adjustment lever outward towards wheel (unit will tend to fall when lever is moved outward). See Figure 10.
2. Move lever to desired position for a change in cutting height. See Figure 10.
3. Release lever towards deck.

Handle Pitch

For convenience of operation, you may adjust the pitch of the handle as follows:

1. Remove star knobs and carriage bolts from handle. See Figure 11.
2. Position the handle in one of the three positions that is most comfortable. See Figure 11 inset.
3. Secure into position with star knobs and carriage bolts removed earlier.

Drive Control

The adjustment wheel is located in the speed control housing and is used to tighten or loosen the drive belt. You will need to adjust the drive control if the mower does not propel itself with the drive control engaged or if the mower's wheels hesitate with the drive control engaged. If either of these conditions occur, rotate adjustment wheel clockwise to tighten cable or counterclockwise to loosen the cable. See Figure 12.

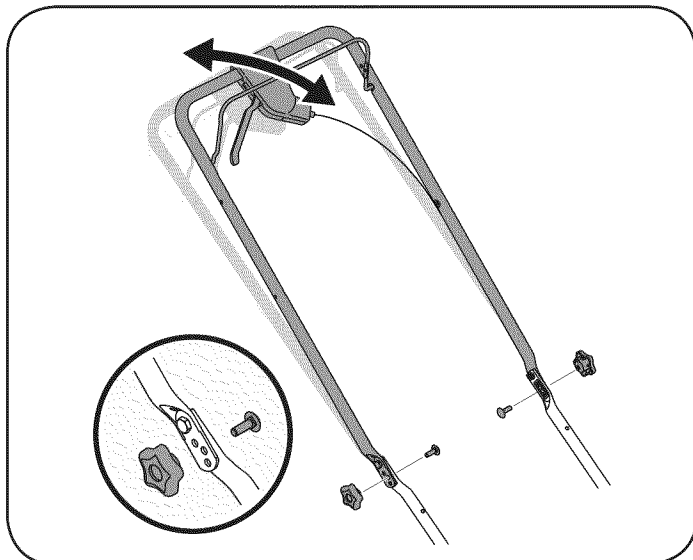


Figure 11

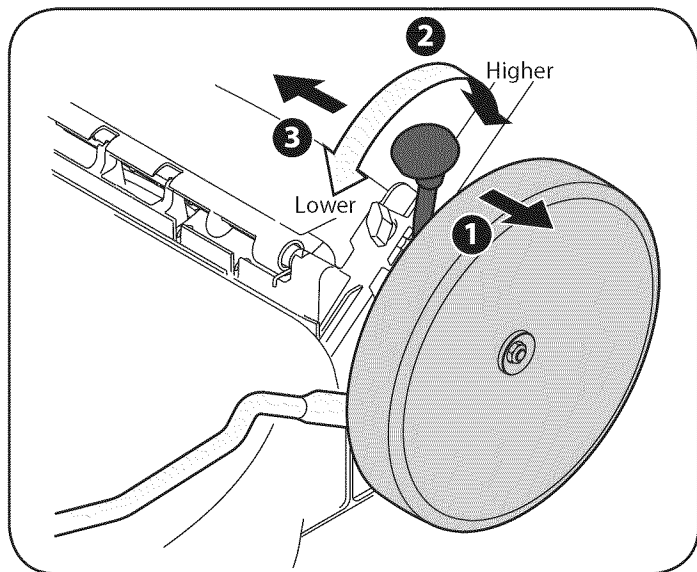


Figure 10

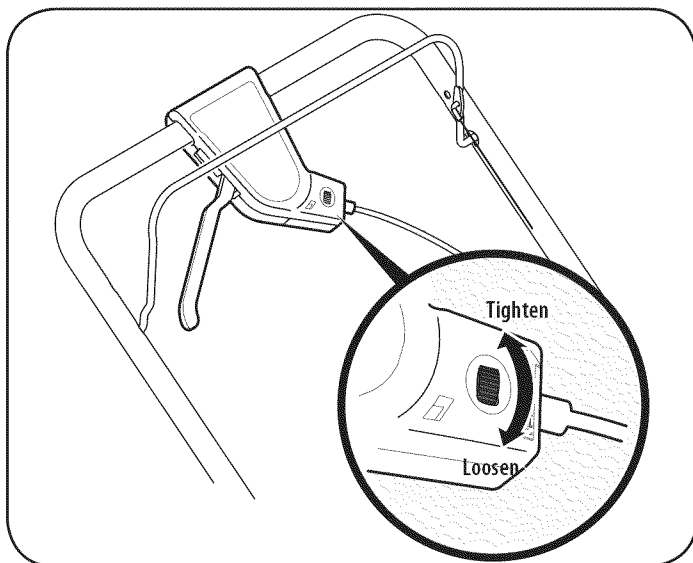


Figure 12

OPERATION

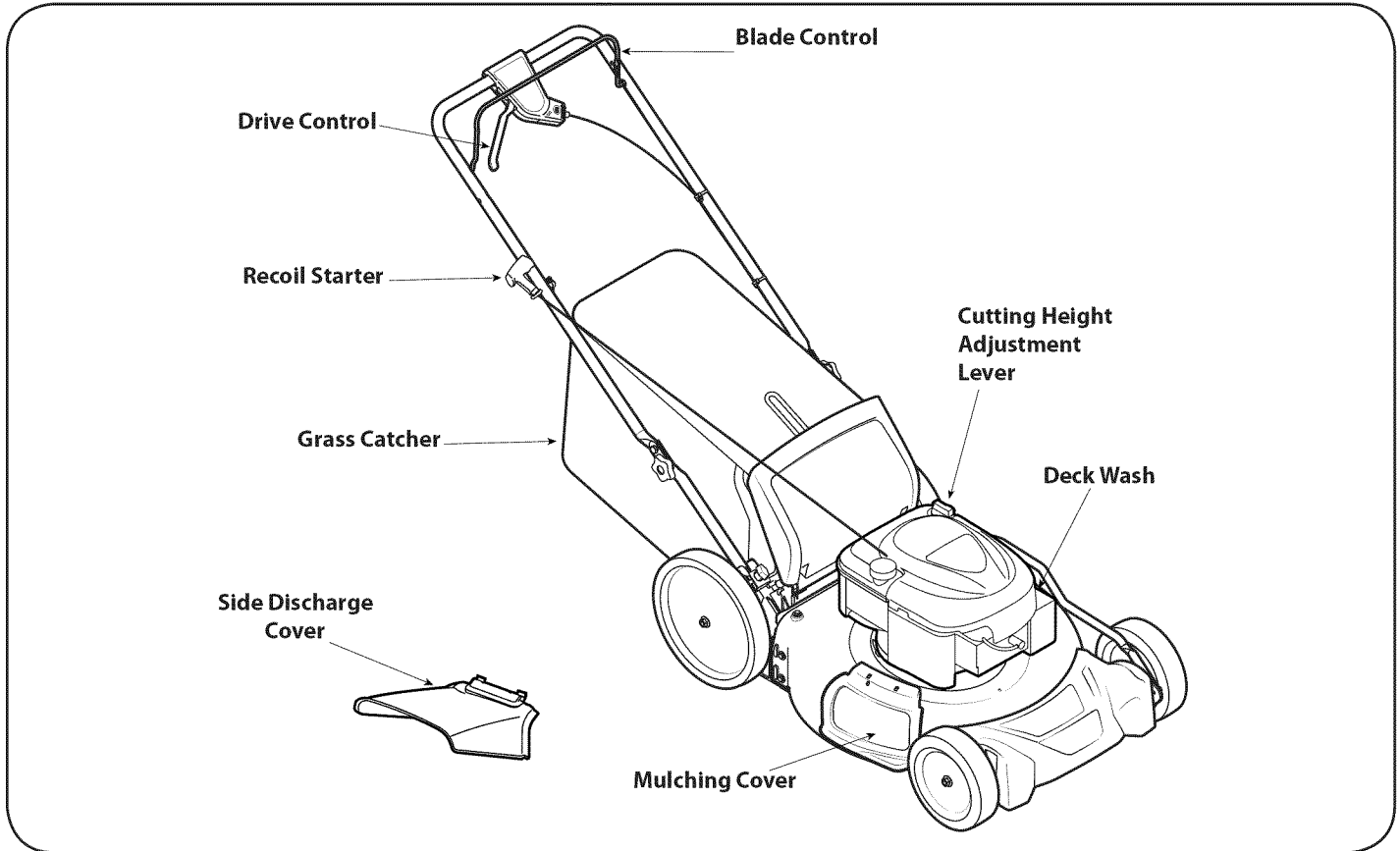


Figure 13

Blade Control

The blade control is attached to the upper handle of the mower. Depress and squeeze it against the upper handle to operate the unit. Release it to stop engine and blade.

WARNING

This blade control is a safety device. Never attempt to bypass its operation.

Drive Control

The drive control is located on top of the upper handle and is used to engage the drive. Squeeze it against the upper handle to engage the drive; release it to slow down or stop mower from propelling.

Cutting Height Adjustment Lever

The cutting height adjustment lever is located above the left rear wheel. To adjust the cutting height, refer to the Assembly Section.

Deck Wash

Your mower's deck is equipped with a water port on its surface as part of its deck wash system. Use the deck wash to rinse grass clippings from the deck's underside.

Mulching Cover

The mulching cover is used for mulching purposes. Instead of collecting the grass clippings in a grass catcher or using the side discharge chute, some mower models have the option of recirculating the clippings back to the lawn. This is called mulching.

Grass Catcher

The grass catcher, located at the rear of the mower, is used to bag the grass clippings for disposal at another site. Once the bag is full, remove it up through the handles using the strap provided and empty it before any further mowing.

Side Discharge Cover

Your mower is shipped as a mulcher. To discharge the grass clippings to the side instead, follow the instructions in the Assembly section to attach the side discharge cover.

WARNING

Keep hands and feet away from the chute area on cutting deck. Refer to warning label on the unit.

Recoil Starter

The recoil starter is attached to the right upper handle. Stand behind the unit and pull the recoil starter rope to start the unit.

Meets ANSI Safety Standards

Craftsman Lawn Mowers conform to the safety standard of the American National Standards Institute (ANSI).

OPERATION

GAS AND OIL FILL-UP

IMPORTANT: This unit is shipped without gasoline or oil in the engine. Be certain to service engine with gasoline and oil as instructed in this section before starting or running your machine.

Oil (one 18 ounce bottle shipped with unit)

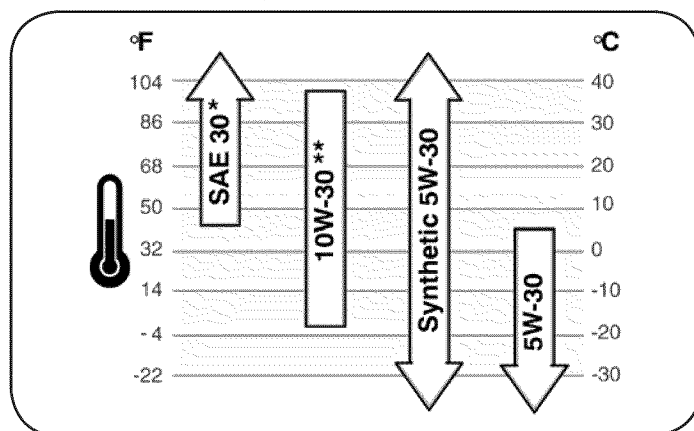
First Time Use

1. Remove oil fill dipstick (G). See Figure 14.
2. With the mower on level ground, empty entire contents of oil bottle provided into the engine oil fill (H).
3. Replace oil fill dipstick and tighten.

Subsequent Uses

Use 4-stroke motor oil that meets or exceeds the requirements for API service category SF, SG, SH, SJ or higher. Always check the API service label on the oil container to be sure it includes the letters SF, SG, SH, SJ or higher.

Outdoor temperatures determine the proper oil viscosity for the engine. Use the chart to select the best viscosity for the outdoor temperature range expected.



* Below 40°F (4°C) the use of SAE 30 will result in hard starting.

** Above 80°F (27°C) the use of 10W-30 may cause increased oil consumption. Check oil level more frequently.

1. Check the oil with the engine stopped and level.
2. Remove the oil fill dipstick and wipe it clean.
3. Insert and tighten the oil fill dipstick. Remove it to check the oil level. See Figure 14.
4. If the oil level is near or below the lower limit mark on the dipstick, remove the oil fill dipstick, and fill with the recommended oil to the upper limit mark (J). Do not overfill.
5. Reinstall the oil fill dipstick.

Gasoline

CAUTION

Do not use unapproved gasolines, such as E85. Do not mix oil in gasoline or modify engine to run on alternate fuels. This will damage the engine components and void the engine warranty.

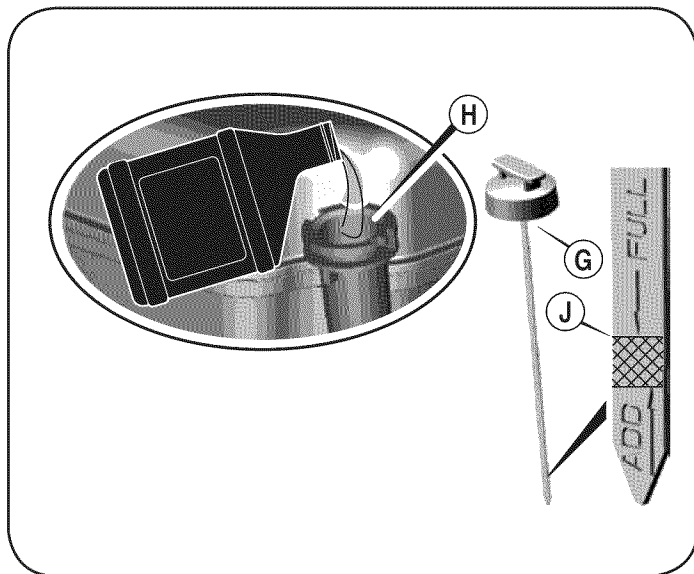


Figure 14

Fuel must meet these requirements:

- Clean, fresh, unleaded gasoline.
- A minimum of 87 octane/87 AKI (91 RON).
- Gasoline with up to 10% ethanol (gasohol) is acceptable.

Refuel in a well-ventilated area with the engine stopped. If the engine has been running, allow it to cool first. Never refuel the engine inside a building where gasoline fumes may reach flames or sparks.

WARNING

Gasoline is highly flammable and explosive, and you can be burned or seriously injured when refueling. Stop engine and keep heat, sparks, and flame away. Refuel only outdoors. Wipe up spills immediately.

If your equipment will be used on an infrequent or intermittent basis, please refer to the Off Season Storage section for additional information regarding fuel deterioration.

NOTE: Fuel can damage paint and some types of plastic. Be careful not to spill fuel when filling your fuel tank.

Never use stale or contaminated gasoline or an oil/gasoline mixture. Avoid getting dirt or water in the fuel tank.

1. Remove the fuel tank cap.
2. Fill the fuel tank with fuel. To allow for expansion of the fuel, do not fill above the bottom of the fuel tank neck. Do not overfill. Wipe up spilled fuel before starting the engine.
3. Install the fuel tank cap and tighten it until it clicks.
4. Move lawn mower at least 10 feet away from the fuel container/source and site before starting the engine.

OPERATION

⚠ WARNING

Be sure no one other than the operator is standing near the lawn mower while starting engine or operating mower. Never run engine indoors or in enclosed, poorly ventilated areas. Engine exhaust contains carbon monoxide, an odorless and deadly gas. Keep hands, feet, hair and loose clothing away from any moving parts on engine and lawn mower.

TO START ENGINE

1. Standing behind the mower, squeeze the blade control handle against upper handle.
2. Holding these two handles together firmly, grasp recoil starter handle and pull rope slowly until resistance is felt, then pull with a rapid, continuous, full arm stroke. See Figure 15. Keeping a firm grip on the starter cord handle, let the rope rewind slowly. Repeat until engine cranks. Let the rope rewind each time slowly.

⚠ WARNING

Keep a firm grip on the starter cord handle to prevent rapid retraction of starter cord (kickback). Rapid retraction can pull hand and arm toward engine faster than you can let go, and result in broken bones, fractures, bruises or sprains.

TO STOP ENGINE

1. Release blade control to stop the engine and blade.

⚠ WARNING

Wait for the blade to stop completely before performing any work on the mower or to remove the grass catcher.

Using Your Lawn Mower

Be sure lawn is clear of stones, sticks, wire, or other objects which could damage lawn mower or engine. Such objects could be accidentally thrown by the mower in any direction and cause serious personal injury to the operator and others.

1. Once the engine is running and while continuing to hold the blade control down, squeeze the drive control against the upper handle to propel mower.

⚠ WARNING

The operation of any lawn mower can result in foreign objects being thrown into the eyes, which can damage your eyes severely. Always wear safety glasses while operating the mower, or while performing any adjustments or repairs on it.

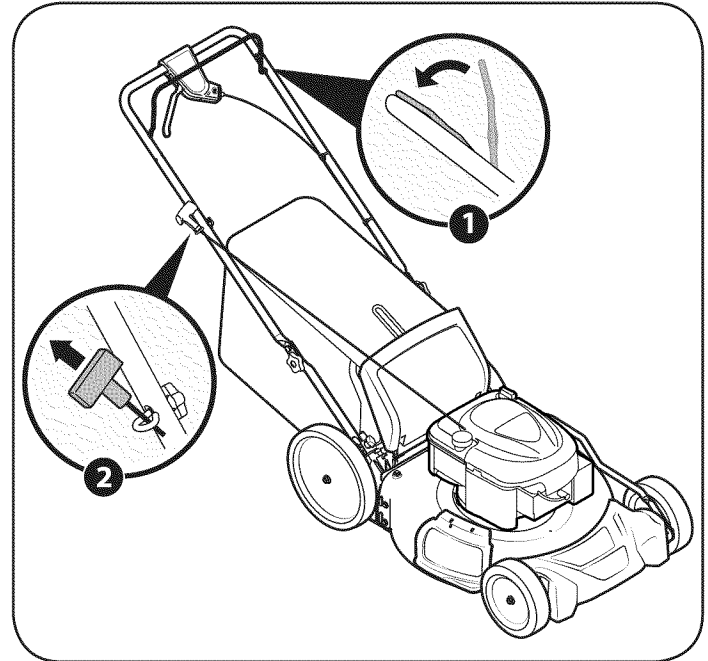


Figure 15

Using as Mulcher

For mulching grass, remove the grass catcher and side discharge chute from the mower. For effective mulching, do not cut wet grass. If the grass has been allowed to grow in excess of four inches, mulching is not recommended. Use the grass catcher to bag clippings instead.

Using Grass Catcher

You can use the grass catcher to collect clippings while you are operating the mower.

1. Attach grass catcher following instructions in the "Assembly" section. Grass clippings will automatically collect in bag as you run mower. Operate mower until grass bag is full.
2. Stop engine completely by releasing the blade control. Make sure that the unit has come to a complete stop.
3. Lift discharge door and pull grass bag up and away from the mower to remove the bag. Dispose of the grass clippings and reinstall the bag when complete.

NOTE: Make sure to clean any excess grass from around the rear opening of the mower, especially between the transmission cover and sidewall on the left hand side and along the bottom, to ensure tight fit of bag onto mower.

⚠ WARNING

If you strike a foreign object, stop the engine. Disconnect the spark plug wire, thoroughly inspect mower for any damage, and repair damage before restarting and operating. Extensive vibration of mower during operation is an indication of damage. The unit should be promptly inspected and repaired.

SERVICE AND MAINTENANCE

MAINTENANCE SCHEDULE

WARNING

Before performing any type of maintenance/service, disengage all controls and stop the engine. Wait until all moving parts have come to a complete stop. Disconnect spark plug wire and ground it against the engine to prevent unintended starting.

Follow the maintenance schedule given below. This chart describes service guidelines only. Use the Service Log column to keep track of completed maintenance tasks. To locate the nearest Sears Service Center or to schedule service, simply contact Sears at 1-800-4-MY-HOME®.

Interval	Item	Service	Service Log
Each Use	<ol style="list-style-type: none"> 1. Engine oil level 2. Loose or missing hardware 3. Air cleaner 4. Unit and engine 	<ol style="list-style-type: none"> 1. Check 2. Tighten or replace 3. Check 4. Clean 	
1st Month or 5 hours	<ol style="list-style-type: none"> 1. Engine oil 	<ol style="list-style-type: none"> 1. Change 	
Annually or 25 hours	<ol style="list-style-type: none"> 1. Air cleaner † 2. Control linkages/pivots and wheels 3. Underside of mower deck^ 	<ol style="list-style-type: none"> 1. Clean 2. Lube with light oil 3. Clean 	
Annually or 50 hours	<ol style="list-style-type: none"> 1. Engine oil †† 	<ol style="list-style-type: none"> 1. Change 	
Annually	<ol style="list-style-type: none"> 1. Spark plug 2. Air Cleaner 	<ol style="list-style-type: none"> 1. Replace 2. Replace 	
Before Storage	<ol style="list-style-type: none"> 1. Fuel system 	<ol style="list-style-type: none"> 1. Run engine until it stops from lack of fuel, or add stabilizer to a full tank of fresh fuel prior to storage. 	

† Clean more often under dusty conditions or when airborne debris is present. Replace air cleaner if very dirty.

†† Change oil every 25 hours when operating the engine under heavy load or in high temperatures.

^ Check and clean more often if mower is typically used in the mulching configuration.

SERVICE AND MAINTENANCE

WARNING

Always stop engine, disconnect spark plug wire, and ground against engine before performing any type of maintenance on your machine.

GENERAL RECOMMENDATIONS

- Always observe safety rules when performing any maintenance.
- The warranty on this lawn mower does not cover items that have been subjected to operator abuse or negligence. To receive full value from warranty, operator must maintain the equipment as instructed here.
- Changing of engine-governed speed will void engine warranty.
- All adjustments should be checked at least once each season.
- Periodically check all fasteners and make sure these are tight.

ENGINE MAINTENANCE

Spark Plug

For good performance, the spark plug must be properly gapped and free of deposits. Replace the spark plug annually.

1. Disconnect the cap from the spark plug, and remove any dirt from the spark plug area.
2. Use the proper size spark plug wrench to remove the spark plug.

NOTE: Replace with a Champion® RJ2YXLE spark plug.

3. Check the gap with a wire gauge. See Figure 16. Spark plug gap should be 0.020 in (0.51 mm). If necessary, reset the gap.
4. Install and tighten the spark plug to the recommended torque (180 lb-in [20 Nm]).
5. Attach the spark plug cap to the spark plug.

Air Cleaner

A dirty air cleaner will restrict air flow to the carburetor and cause poor engine performance. Inspect the filter each time the engine is operated. You will need to clean the filter more frequently if you operate the engine in very dusty areas.

Clean the air cleaner every 25 hours of operation or once a season. Replace the air cleaner annually.

WARNING

Never start or run the engine with the air cleaner assembly or the air filter removed.

NOTE: Do not use pressurized air or solvents to clean the filter. Pressurized air can damage the filter and solvents will dissolve the filter.

1. Loosen the fastener that holds the cover and tilt plastic housing cover on side of engine down. See Figure 17.
2. Remove air filter from plastic housing cover.
3. To loosen debris, gently tap the filter on a hard surface. If the filter is excessively dirty, replace with a new filter.
4. Insert cover's tabs into slots in bottom of base.
5. Tilt cover up into place and secure with fastener.

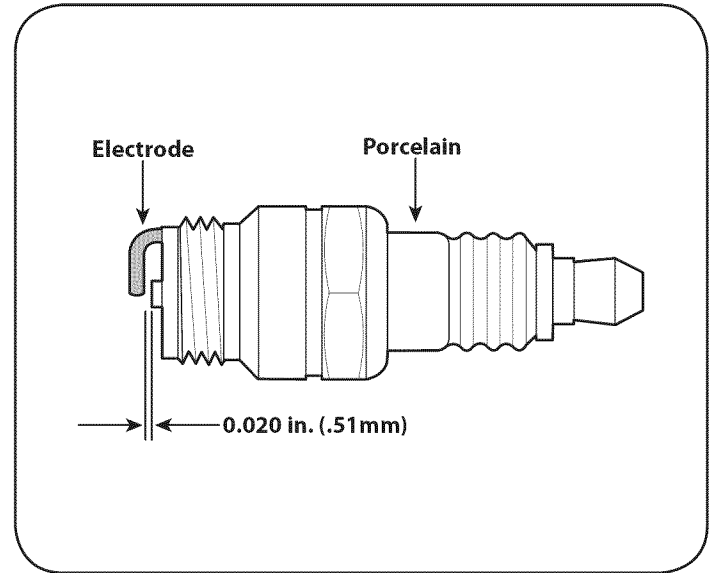


Figure 16

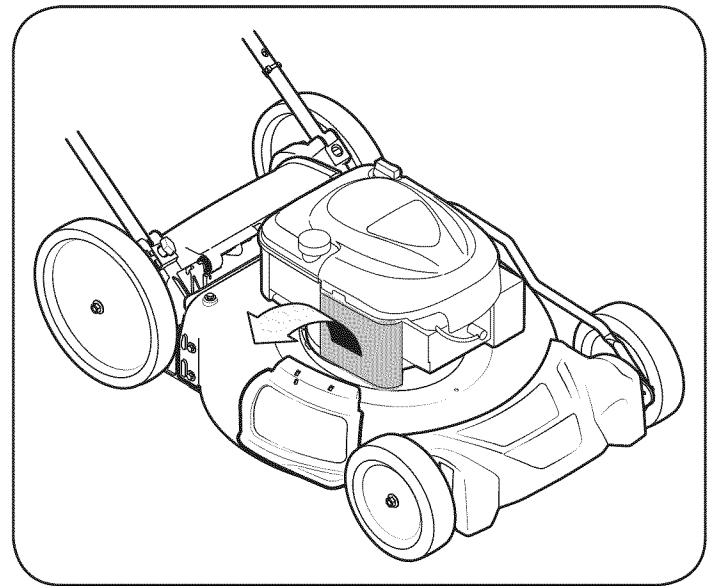


Figure 17

SERVICE AND MAINTENANCE

Check Engine Oil

Check oil level before each operation. Be sure oil level is maintained.

1. Check the oil with the engine stopped and level.
2. Remove the oil fill dipstick and wipe it clean.
3. Insert and tighten dipstick. Remove it to check the oil level.
4. If the oil level is near or below the lower limit mark on the dipstick, remove the oil filler cap/dipstick, and fill with the recommended oil to the upper limit mark. Do not overfill.
5. Reinstall the oil fill dipstick.

Change Engine Oil

WARNING

Gasoline and its vapors are extremely flammable and explosive. Fire or explosion can cause severe burns or death.

Change engine oil after the first five hours of operation, and every fifty hours or once a season thereafter.

WARNING

When you drain the oil from the top oil fill tube, the fuel tank must be empty or fuel can leak out and result in a fire or explosion. To empty the fuel tank, run the engine until it stops from lack of fuel.

1. With engine off but still warm, disconnect the spark plug wire and keep it away from the spark plug.
2. Place a suitable container next to the engine to catch the used oil.
3. Remove the oil fill dipstick and drain the oil into the container by tipping the engine toward the oil filler neck. See Figure 18.

CAUTION

Used oil is a hazardous waste product. Dispose of used oil properly. Do not discard with household waste. Check with your local authorities or Sears Service Center for safe disposal/recycling facilities.

4. With the engine in a level position, fill to the upper limit mark on the dipstick with the recommended oil.

CAUTION

Running the engine with a low oil level can cause engine damage.

5. Reinstall the oil fill dipstick securely.

Clean Engine

- Daily or before every use, clean grass, chaff or accumulated debris from engine. Keep linkage, spring, and controls clean. Keep area around and behind muffler free of any combustible debris.
- Keeping engine clean allows air movement around engine.
- Engine parts should be kept clean to reduce the risk of overheating and ignition of accumulated debris.

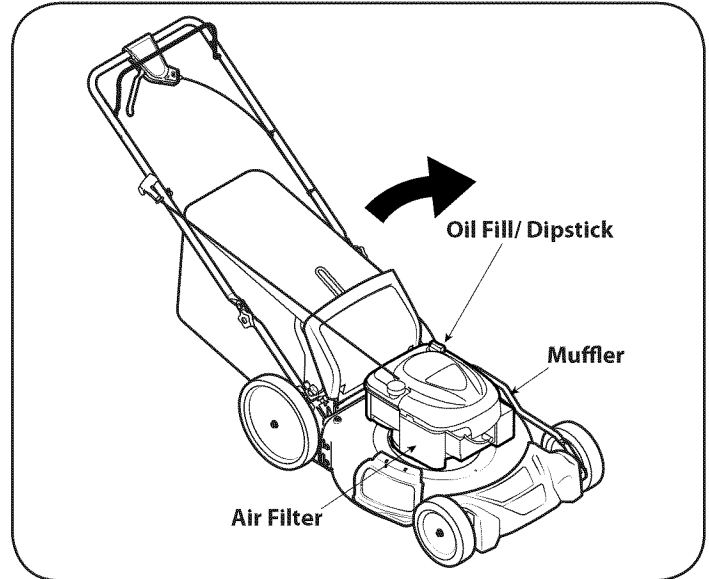


Figure 18

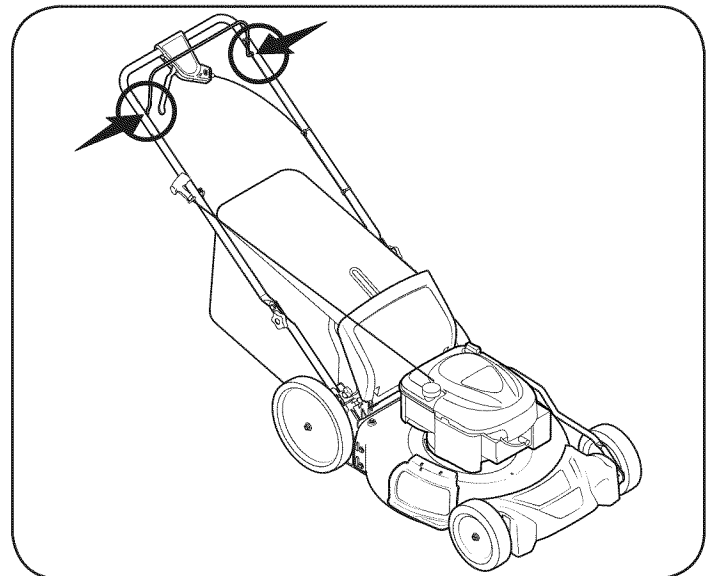


Figure 19

CAUTION

Do not use water to clean engine parts. Water could contaminate fuel system. Use a brush or dry cloth.

LUBRICATION

Blade Control

Lubricate pivot points on the blade and drive control at least once a season with light oil. These controls must operate freely in both directions. See Figure 19.

Belt Care

NOTE: Several components must be removed in order to change the mower's self-propulsion drive belt. See an authorized Sears Service Center to have your belt replaced.

SERVICE AND MAINTENANCE

Deck Wash

Your mower's deck is equipped with a water port on its surface as part of its deck wash system.

Use the deck wash to rinse grass clippings from the deck's underside and prevent the buildup of corrosive chemicals. Complete the following steps AFTER EACH MOWING:

1. Push the mower to a level, clear spot on your lawn, near enough for your garden hose to reach. Remove the grass bag if attached.

⚠ CAUTION

Make certain the mower's discharge chute is directed AWAY from your house, garage, parked cars, etc.

2. Thread the hose coupler (packaged with your mower's Operator's Manual) onto the end of your garden hose.
3. Attach the hose coupler to the water port on your deck's surface. See Figure 20.
4. Turn the water on.
5. Start the engine as described in the Operation section.
6. Run the engine for a minimum of two minutes, allowing the underside of the cutting deck to thoroughly rinse.
7. Release blade control to stop the engine and blade.
8. Turn the water off and detach the hose coupler from the water port on your deck's surface.

After cleaning your deck, restart the mower. Keep the engine and blade running for a minimum of two minutes, allowing the underside of the cutting deck to thoroughly dry.

Blade Care

⚠ WARNING

When removing the cutting blade for sharpening or replacement, protect your hands with a pair of heavy gloves or use a heavy rag to hold the blade.

Periodically inspect the blade adapter for cracks, especially if you strike a foreign object. Replace when necessary. Follow the steps below for blade service.

1. Disconnect spark plug boot from spark plug. Turn mower on its side making sure that the air filter and the carburetor are facing up.
2. Remove the bolt and the blade bell support which hold the blade and the blade adapter to the engine crankshaft. See Figure 21.
3. Remove blade and adapter from the crankshaft.
4. Remove blade from the adapter for testing balance. Balance the blade on a round shaft screwdriver to check. Remove metal from the heavy side until it balances evenly. When sharpening the blade, follow the original angle of grind. Grind each cutting edge equally to keep the blade balanced.

⚠ WARNING

An unbalanced blade will cause excessive vibration when rotating at high speeds. It may cause damage to mower and could break causing personal injury.

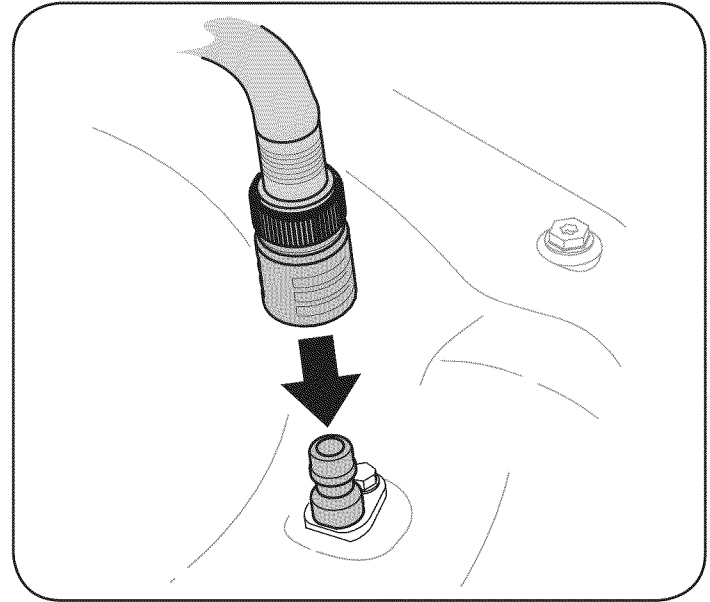


Figure 20

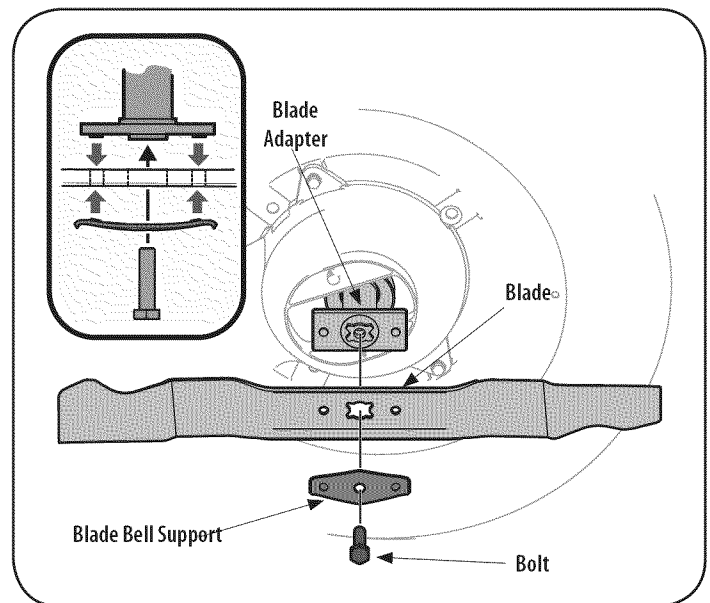


Figure 21

5. Lubricate the engine crankshaft and the inner surface of the blade adapter with light oil. Slide the blade adapter onto the engine crankshaft. Place the blade on the adapter such that the side of the blade marked "Bottom" (or with part number) faces the ground when the mower is in the operating position. Make sure that the blade is aligned and seated on the blade adapter flanges. See Figure 21 inset.
6. Place blade bell support on the blade. Align notches on the blade bell support with small holes in blade.
7. Replace hex bolt and tighten hex bolt to torque: 450 in. lbs. min., 600 in. lbs. max.

To ensure safe operation of your mower, periodically check the blade bolt for correct torque.

OFF-SEASON STORAGE

WARNING

Never store lawn mower with fuel in tank indoors or in poorly ventilated areas where fuel fumes may reach an open flame, spark, or pilot light as on a furnace, water heater, clothes dryer, or gas appliance.

Preparing The Engine

For engines stored over 30 days:

- To prevent gum from forming in fuel system or on carburetor parts, run engine until it stops from lack of fuel or add a gasoline additive to the gas in the tank. If you use a gas additive, run the engine for several minutes to circulate the additive through the carburetor—after which the engine and fuel can be stored up to 24 months.
- While engine is still warm, change the oil.
- Clean engine of surface debris.

Preparing The Lawn Mower

- Clean and lubricate mower thoroughly as described in the lubrication instructions.
- Do not use a pressure washer or garden hose to clean your unit.
- Coat mower's cutting blade with chassis grease to prevent rusting.
- Refer to Preparing the Engine for correct engine storage instructions.
- Store mower in a dry, clean area. Do not store next to corrosive materials, such as fertilizer.

When storing any type of power equipment in a poorly ventilated or metal storage shed, care should be taken to rust-proof the equipment. Using a light oil or silicone, coat the equipment, especially cables and all moving parts of your lawn mower before storage.

TROUBLESHOOTING

WARNING

Disconnect the spark plug wire and ground it against the engine to prevent unintended starting. Before performing any type of maintenance/service, disengage all controls and stop the engine. Wait until all moving parts have come to a complete stop. Always wear safety glasses during operation or while performing any adjustments or repairs.

This section addresses minor service issues. To locate the nearest Sears Service Center or to schedule service, simply contact Sears at 1-800-4-MY-HOME®.

Problem	Cause	Remedy
Engine Fails to start	<ol style="list-style-type: none"> 1. Blade control disengaged. 2. Spark plug boot disconnected. 3. Fuel tank empty or stale fuel. 4. Engine not primed (If equipped with primer). 5. Faulty spark plug. 6. Engine flooded. 7. Blocked fuel line. 	<ol style="list-style-type: none"> 1. Engage blade control. 2. Connect wire to spark boot. 3. Fill tank with clean, fresh gasoline. 4. Prime engine as instructed in the Operation section. 5. Clean, adjust gap, or replace. 6. Wait a few minutes to restart. 7. Contact your Sears Parts & Repair Center to have fuel line cleaned.
Engine runs erratic	<ol style="list-style-type: none"> 1. Spark plug boot loose. 2. Stale fuel. 3. Vent in gas cap plugged. 4. Water or dirt in fuel system. 5. Dirty air cleaner. 6. Blocked fuel line. 	<ol style="list-style-type: none"> 1. Connect and tighten spark plug boot. 2. Fill tank with clean, fresh gasoline. 3. Clear vent. 4. Run engine until it stops from lack of fuel. Refill with fresh fuel. 5. Refer to Air Cleaner in Engine Maintenance section. 6. Contact your Sears Parts & Repair Center to have fuel line cleaned.
Engine overheats	<ol style="list-style-type: none"> 1. Engine oil level low. 2. Air flow restricted. 	<ol style="list-style-type: none"> 1. Fill crankcase with proper oil. 2. Clean area around and on top of engine.
Occasional skips (hesitates)	<ol style="list-style-type: none"> 1. Spark plug gap too close. 	<ol style="list-style-type: none"> 1. Adjust gap. Refer to Spark Plug in Engine Maintenance section.
Idles poorly	<ol style="list-style-type: none"> 1. Spark plug fouled, faulty, or gap too wide. 2. Dirty air cleaner. 	<ol style="list-style-type: none"> 1. Reset gap or replace spark plug. 2. Refer to Air Cleaner in Engine Maintenance section.
Excessive vibration	<ol style="list-style-type: none"> 1. Cutting blade loose or unbalanced. 2. Bent cutting blade. 	<ol style="list-style-type: none"> 1. Tighten blade and adapter. Balance blade. 2. Replace blade.

NEED MORE HELP?

You'll find the answer and more on managemylife.com – for free!

- Find this and all your other product manuals online.
- Get answers from our team of home experts.
- Get a personalized maintenance plan for your home.
- Find information and tools to help with home projects.



brought to you by Sears

TROUBLESHOOTING

Problem	Cause	Remedy
Mower will not mulch grass	<ol style="list-style-type: none"> 1. Wet grass. 2. Excessively high grass. 3. Dull blade. 	<ol style="list-style-type: none"> 1. Do not mow when grass is wet; wait until later to cut. 2. Mow once at a high cutting height, then mow again at desired height or make a narrower cutting path. 3. Sharpen or replace blade.
Uneven cut	<ol style="list-style-type: none"> 1. Dull blade. 	<ol style="list-style-type: none"> 1. Sharpen or replace blade.
Mower will not self propel	<ol style="list-style-type: none"> 1. Belt not installed properly. 2. Debris clogging drive operation. 3. Damaged or worn belt. 4. Drive control out of adjustment. 	<ol style="list-style-type: none"> 1. Check belt for proper pulley installation and movement. 2. Stop engine, disconnect spark plug boot, and clean out debris. 3. Inspect and replace belt. 4. Adjust drive control. See Assembly section.

NEED MORE HELP?

You'll find the answer and more on managemylife.com -- for free!

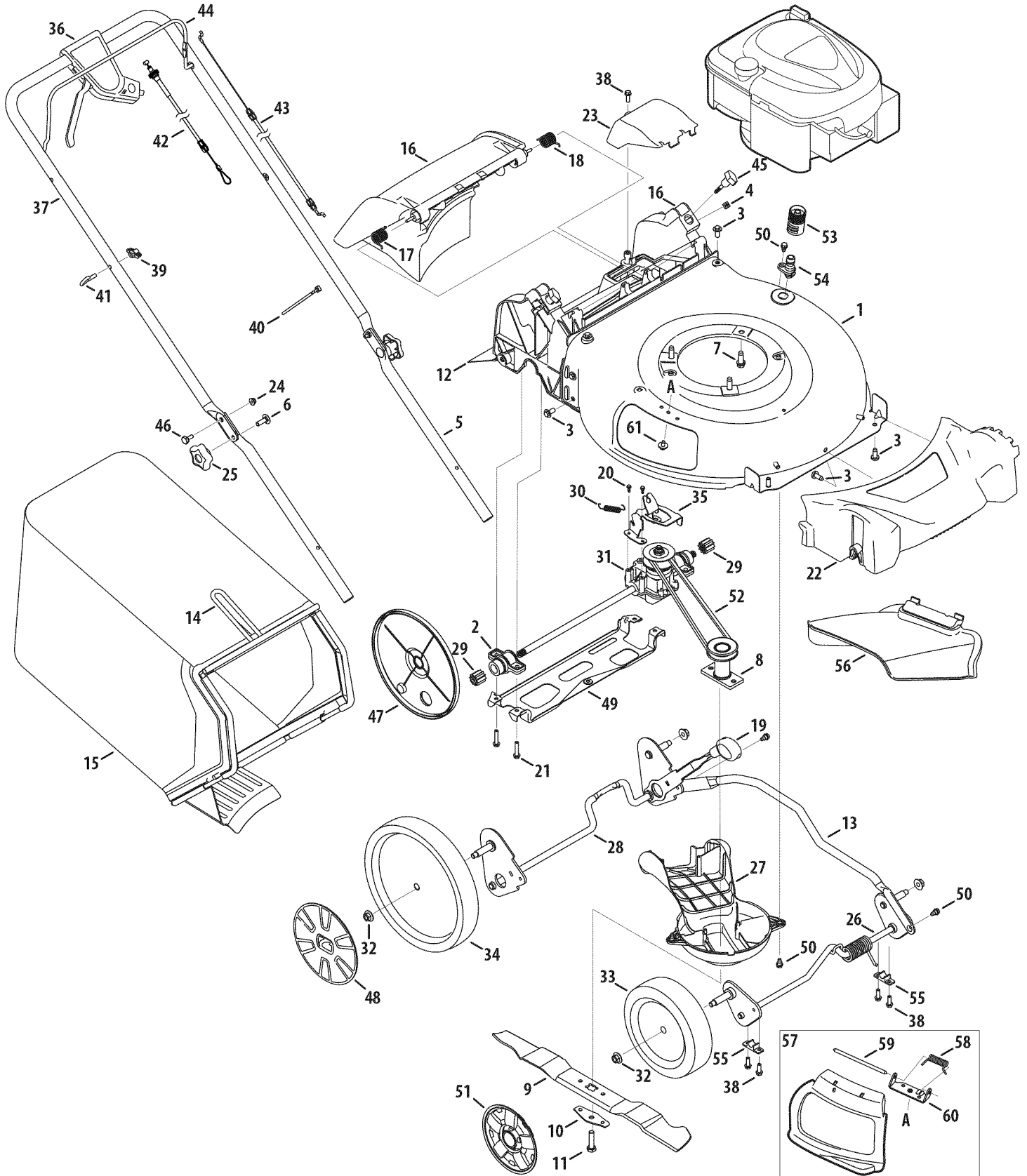
- Find this and all your other product manuals online.
- Get answers from our team of home experts.
- Get a personalized maintenance plan for your home.
- Find information and tools to help with home projects.



brought to you by Sears

PARTS LIST

Craftsman Mower — Model No. 247.374900



PARTS LIST

Craftsman Mower — Model No. 247.374900

Ref. No.	Part No.	Description	Ref. No.	Part No.	Description
1	787-02002A-0691	Deck, 21"	33	634-04659	Front Wheel
2	631-04501A	Bearing Assembly	34	934-04699	Rear Wheel
3	710-05425	Screw, 5/16-14 x .750	35	787-01868A-0637	Transmission Bracket
4	712-04222	Nut, Sq., 1/4-20	36	753-06060A	Control Lever Assembly
5	749-04608A-0637	Lower Handle	37	749-04679-0637	Upper Handle
6	710-04998	Carriage Screw, 5/16-18	38	710-0895	Screw, 1/4-15 x .750
7	710-04683A	Screw, 3/8-16 x 1.00	39	720-0279	Knob
8	687-02220	Blade Adapter	40	725-0157	Cable Tie
9	942-0741A	Mulching Blade	41	710-1205	Rope Guide
10	736-0524B	Blade Bell Support	42	946-05048	Variable Speed Cable
11	710-1044	Screw, 3/8-24 x 1.50	43	946-04661A	Control Cable
12	731-07203	Trailing Shield	44	747-05209B-0637	Blade Control
13	949-04840-0637	Cross Bracket	45	720-04123B	Wing Nut
14	747-06137A-4044	Grass Catcher Frame	46	738-04419A	Sldr. Screw, .375 x .126 x 1/4-20
15	964-05024	Grass Bag	47	731-07731B	Wheel Dust Cover
16	631-04553A	Rear Discharge Door Assembly	48	731-07533	Hub Cap, 11"
17	732-04673	Torsion Spring - RH	49	787-01915A	Rear Support Bracket
18	732-04674	Torsion Spring - LH	50	738-04278	Scr., Shldr., 1/4-20 x .50
19	720-04113	Adjustment Lever Knob	51	731-07173	Hubcap, 8"
20	710-04374	Screw, Hex Washer, .159 x .43	52	954-04282	V-Belt
21	710-04774	Screw, 1/4-15 x 1.25	53	921-04041	Water Nozzle Adapter
22	731-09367	Front Cover	54	731-07487	Water Nozzle
23	731-08175	Transmission Cover	55	741-0492A	Bushing, Lock, .505 Dia. X .62
24	712-04064	Nut, Flange Lock, 1/4-20	56	731-07486	Side Discharge Chute
25	720-04072A	Wing Knob	57	987-02516	Mulch Plug (Incl. 58-60)
26	911-04191A	Front Axle Assembly	58	732-1014C	Torsion Spring
27	631-04512C	Engine Baffle	59	747-0710A	Hinge Pin
28	911-04192	Rear Axle Assembly	60	787-01779	Chute Deflector Bracket
29	917-04849	Spur Gear, 9T	61	710-05073	Screw, 1/4-20 x .500
30	732-04826A	Exten. Spring, 2.405	N/A		Engine (see breakdown)
31	918-06038	Transmission Assembly			B&S Model No. 128M02-0952-F1
32	712-04217	Flange Lock Nut, 3/8-16			

PARTS LIST

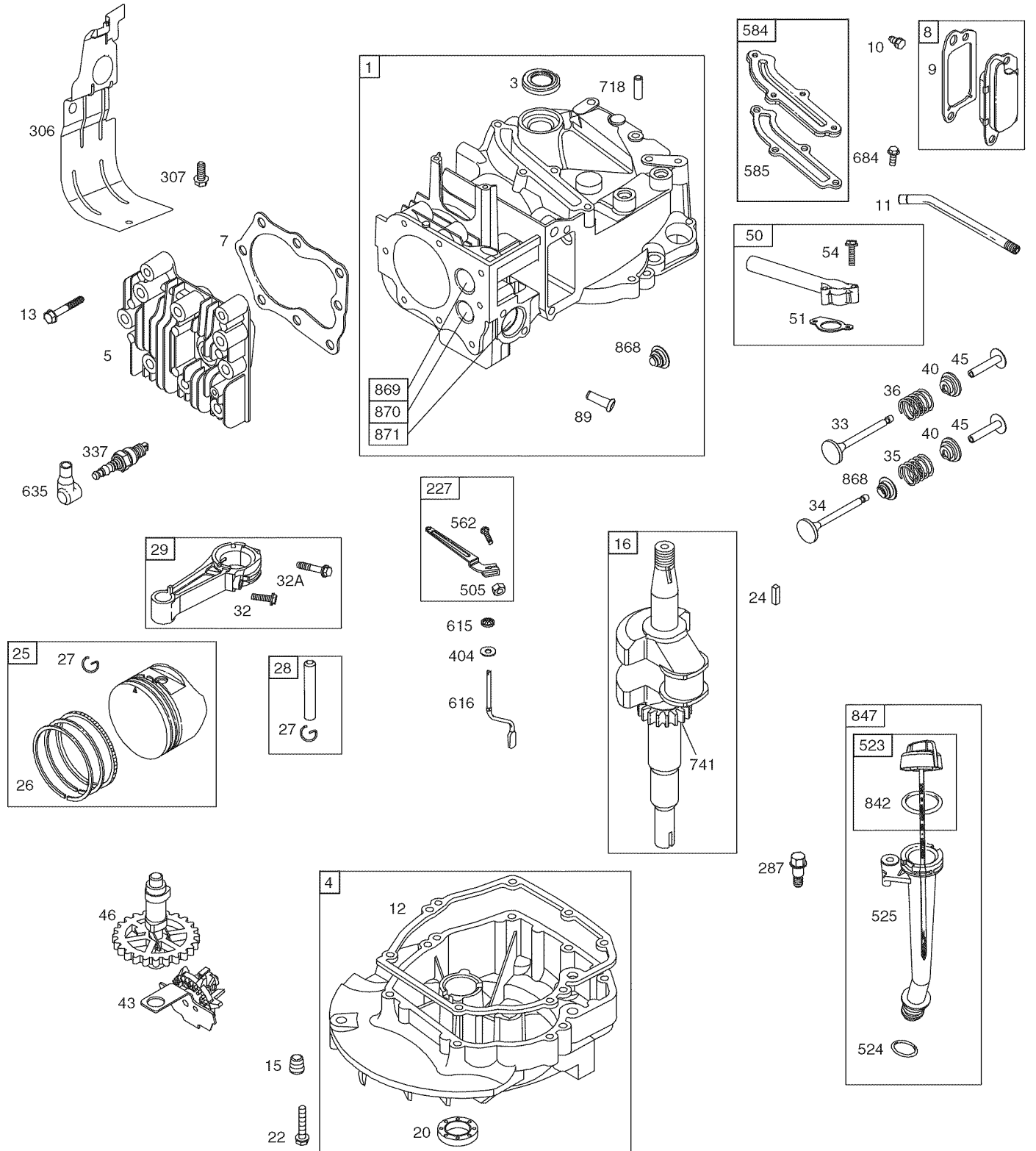
Craftsman Engine Model No. 128M02-0952-F1 For Craftsman Mower Model No. 247.374900

48 SHORTB LOCK

10580 PERATOR'SM ANUAL

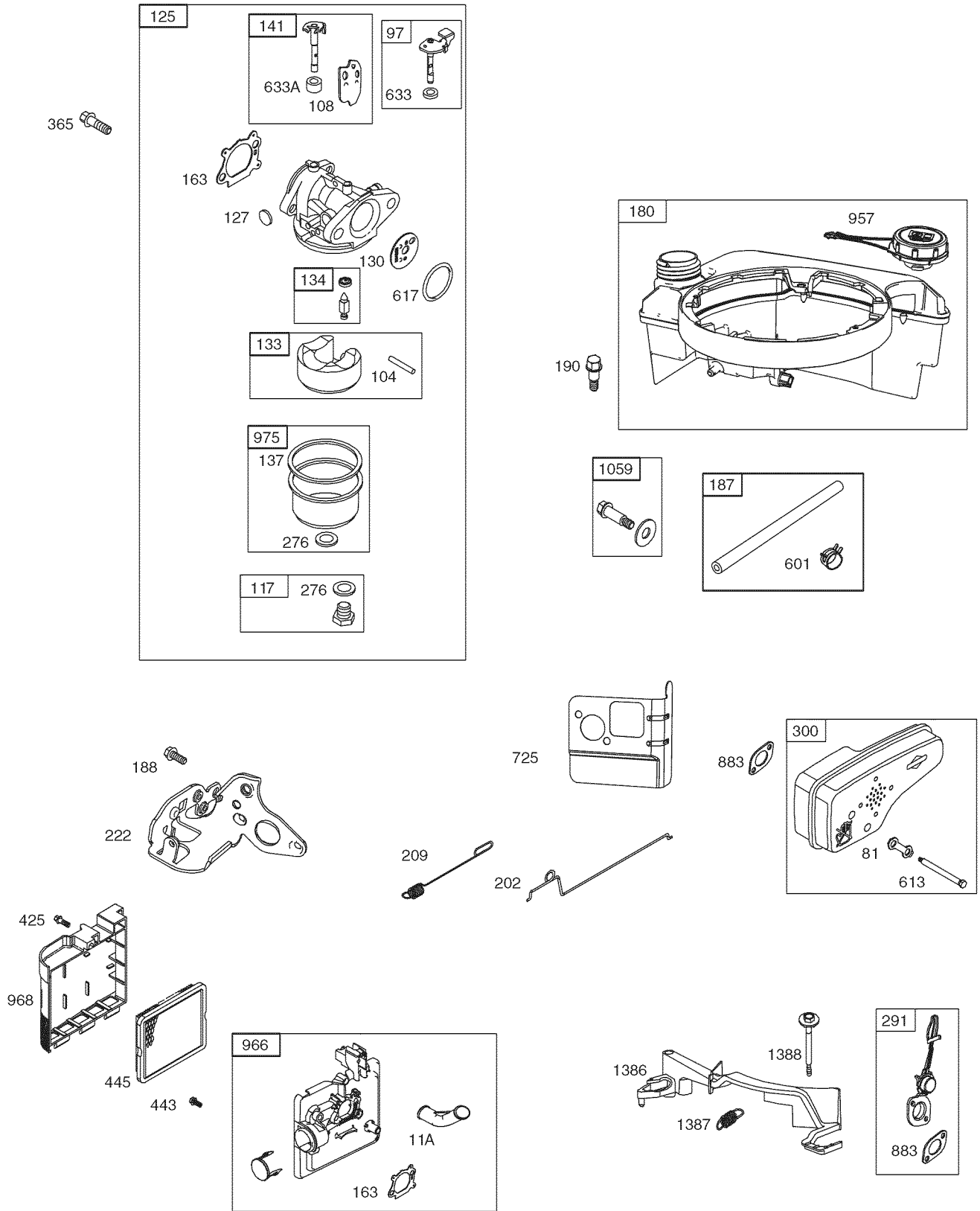
1329 REPLACEMENT ENGINE

1330R EPAIRM ANUAL



PARTS LIST

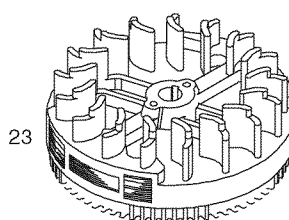
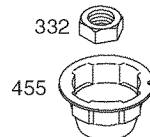
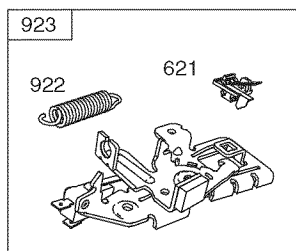
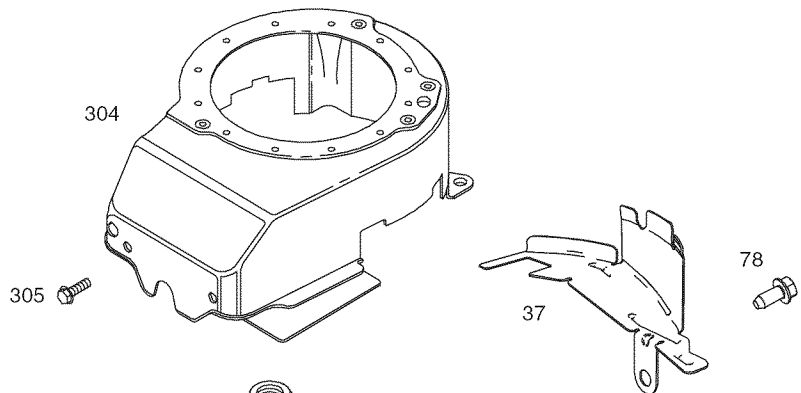
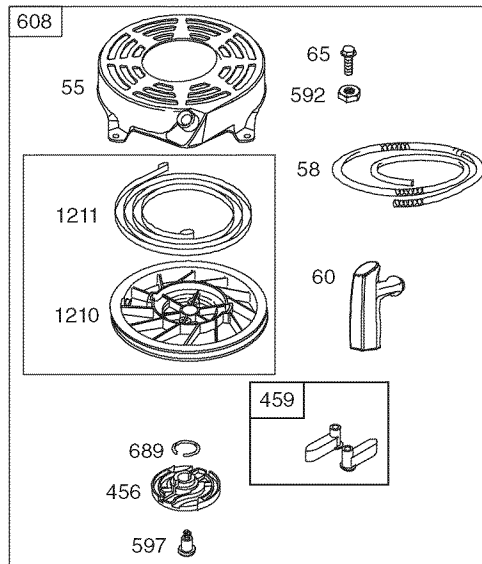
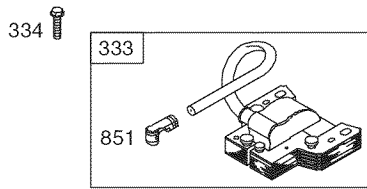
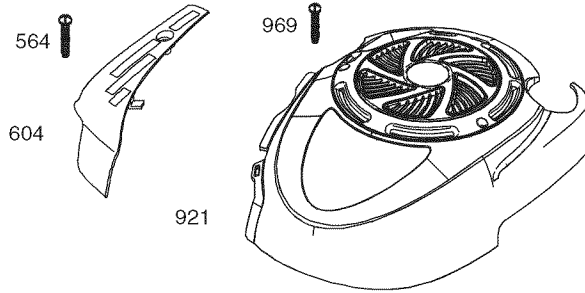
Craftsman Engine Model No. 128M02-0952-F1 For Craftsman Mower Model No. 247.374900



PARTS LIST

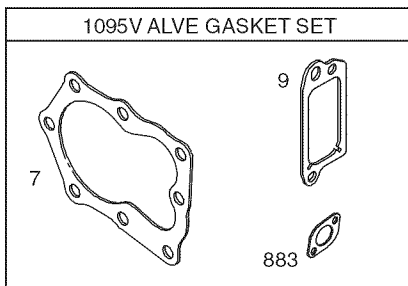
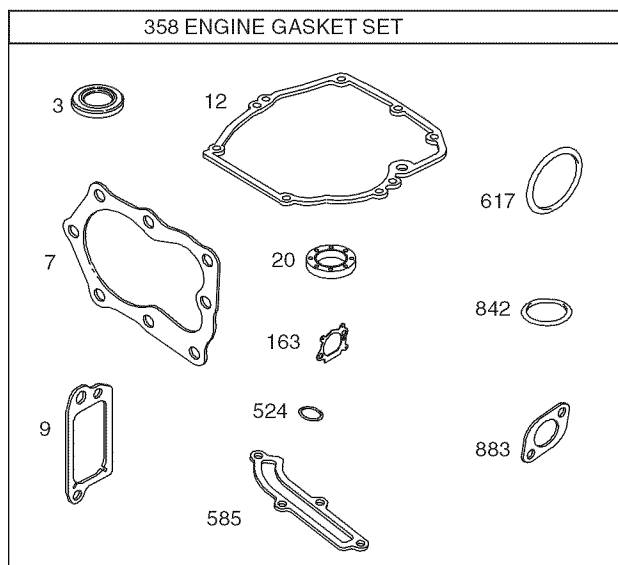
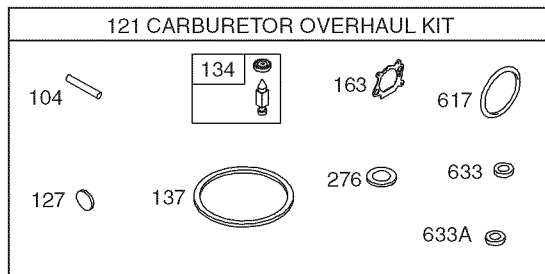
Craftsman Engine Model No. 128M02-0952-F1 For Craftsman Mower Model No. 247.374900

1036E MISSIONS LABEL



PARTS LIST

Craftsman Engine Model No. 128M02-0952-F1 For Craftsman Mower Model No. 247.374900



PARTS LIST

Craftsman Engine Model No. 128M02-0952-F1 For Craftsman Mower Model No. 247.374900

Ref. No.	Part No.	Description
1	590401	Cylinder Assembly
3	299819s	Seal-Oil (Magneto Side)
4	493279	Sump-Engine
5	590411	Head-Cylinder
7	799875	Gasket-Cylinder Head
8	590395	Breather Assembly
9	699472	Gasket-Breather
10	691125	Screw (Breather Assembly)
11	691781	Tube-Breather
11A	691923	Tube-Breather
12	692232	Gasket-Crankcase
13	590422	Screw (Cylinder Head)
15	691680	Plug-Oil Drain
16	797017	Crankshaft
20	399781s	Seal-Oil (PTO Side)
22	691092	Screw (Crankcase Cover/Sump)
23	691987	Flywheel
24	222698s	Key-Flywheel
25	590404	Piston Assembly (Standard)
	590405	Piston Assembly (.020" Oversize)
26	590402	Ring Set (Standard)
	590403	Ring Set (.020" Oversize)
27	691588	Lock-Piston Pin
28	298909	Pin-Piston
29	797306	Rod-Connecting
32	691664	Screw (Connecting Rod) (Short)
32A	695759	Screw (Connecting Rod) (Long)
33	590394	Valve-Exhaust
34	590393	Valve-Intake
35	691270	Spring-Valve (Intake)
36	691270	Spring-Valve (Exhaust)
37	793756	Guard-Flywheel
40	692194	Keeper-Valve
43	691997	Slinger-Governor/Oil
45	690548	Tappet-Valve
46	590463	Camshaft
48	N/A	Short Block (Not available at this printing)

Ref. No.	Part No.	Description
50	796703	Manifold-Intake
51	796704	Gasket-Intake
54	691650	Screw (Intake Manifold)
55	691421	Housing-Rewind Starter
58	697316	Rope-Starter
60	795426	Grip-Starter Rope
65	690837	Screw (Rewind Starter)
78	691108	Screw (Flywheel Guard)
81	691740	Lock-Muffler Screw
89	692348	Plug-Oil (Cylinder)
97	696565	Shaft-Throttle
104	797622	Pin-Float Hinge
108	795935	Valve-Choke
109	795936	Shaft-Choke
117	590440	Jet-Main (Standard)
121	498260	Kit-Carburetor Overhaul
125	799866	Carburetor
127	694468	Plug-Welch
130	696564	Valve-Throttle
133	398187	Float-Carburetor
134	398188	Kit-Needle/Seat
137	796610	Gasket-Float Bowl
141	796193	Kit - Choke Shaft
163	795629	Gasket-Air Cleaner
180	590490	Tank-Fuel
187	791766	Line-Fuel (Cut To Required Length)
188	693999	Screw (Control Bracket)
190	690940	Screw (Fuel Tank)
202	691829	Link-Mechanical Governor
209	699056	Spring-Governor (No Color)
222	793754	Bracket-Control
227	690783	Lever-Governor Control
276	271716	Washer-Sealing
287	690940	Screw (Dipstick Tube)
291	790830	Thermostat
300	790828	Muffler
304	790826	Housing-Blower

PARTS LIST

Craftsman Engine Model No. 128M02-0952-F1 For Craftsman Mower Model No. 247.374900

Ref. No.	Part No.	Description
305	691108	Screw (Blower Housing)
306	790836	Shield-Cylinder
307	690345	Screw (Cylinder Shield)
332	690662	Nut (Flywheel)
333	590454	Armature-Magneto
334	691061	Screw (Magneto Armature)
337	591040	Plug-Spark
356	692390	Wire-Stop
358	590508	Gasket Set-Engine
365	691688	Screw (Carburetor)
404	690272	Washer (Governor Crank)
425	690670	Screw (Air Cleaner Cover)
443	692523	Screw (Air Cleaner Primer Base)
445	491588s	Filter-Air Cleaner Cartridge
455	791960	Cup-Flywheel
456	692299	Plate-Pawl Friction
459	281505s	Pawl-Ratchet
505	691251	Nut (Governor Control Lever)
523	499621	Dipstick
524	692296	Seal-Dipstick Tube
525	495265	Tube-Dipstick
562	691119	Bolt (Governor Control Lever)
564	698589	Screw (Control Cover)
584	697734	Cover-Breather Passage
585	691879	Gasket-Breather Passage
592	690800	Nut (Rewind Starter)
597	691696	Screw (Pawl Friction Plate)
601	791850	Hose-Clamp (Green)
604	790703	Cover-Control
608	497680	Starter-Rewind
613	790833	Screw (Muffler)
615	690340	Retainer-Governor Shaft
616	698801	Crank-Governor
617	270344s	Seal-O Ring
621	692310	Switch-Stop
633	691321	Seal-Choke/Throttle Shaft (Throttle Shaft)

Ref. No.	Part No.	Description
633A	693867	Seal-Choke/Throttle Shaft (Choke Shaft)
635	66538s	Boot-Spark Plug
684	690345	Screw (Breather Passage Cover)
689	691855	Spring-Friction
718	690959	Pin-Locating
725	590460	Shield - Heat
741	797521	Gear-Timing
745	691648	Screw (Brake)
842	691031	Seal-O Ring (Dipstick Tube)
847	692047	Dipstick/Tube Assembly
851	493880s	Terminal-Spark Plug
868	697338	Seal-Valve
869	691155	Seat-Valve (Intake)
870	690380	Seat-Valve (Exhaust)
871	590409	Bushing-Valve Guide
883	691881	Gasket-Exhaust
921	796706	Cover-Blower Housing
922	692135	Spring - Brake
923	796136	Brake
957	591003	Cap-Fuel Tank
966	795259	Base-Air Cleaner Base
968	692298	Cover-Air Cleaner
969	690700	Screw (Blower Housing Cover)
975	796611	Bowl-Float
1036		Label-Emissions (Available from a Briggs & Stratton Authorized Dealer)
1058	277039TRI	Operator's Manual
1059	692311	Kit-Screw/Washer (Fuel Tank)
1095	590507	Gasket Set-Valve
1210	498144	Pulley/Spring Assembly (Pulley)
1211	498144	Pulley/Spring Assembly (Spring)
1329	N/A	Replacement Engine (N/A at this printing)
1330	270962	Repair Manual
1386	790848	Vane-Air
1387	790849	Spring-Air Vane
1388	790850	Screw (Air Vane)

Carburetor Overhaul Kit
 Engine Gasket Set
 Valve Gasket Set

Key No. 121
 Key No. 358
 Key No. 1095

PARTS LIST

Craftsman Mower Labels — Model No. 247.374900



777S33353



777S33350



777D18432

**Sears Brands Management Corporation (Sears), the California Air Resources Board (CARB)
and the United States Environmental Protection Agency (U.S. EPA)
Emission Control System Warranty Statement (Owner's Defect Warranty Rights and Obligations)**

EMISSION CONTROL WARRANTY COVERAGE IS APPLICABLE TO CERTIFIED ENGINES PURCHASED IN CALIFORNIA IN 1995 AND THEREAFTER, WHICH ARE USED IN CALIFORNIA,

AND TO CERTIFIED MODEL YEAR 1997 AND LATER ENGINES WHICH ARE PURCHASED AND USED ELSEWHERE IN THE UNITED STATES (AND AFTER JANUARY 1, 2001 IN CANADA).

California and United States Emission Control Defects Warranty Statement

The California Air Resources Board (CARB), U.S. EPA and Sears are pleased to explain the Emission Control System Warranty on your model year 2000 and later small off-road engine (SORE). In California, new small off-road engines must be designed, built and equipped to meet the State's stringent anti-smog standards. Elsewhere in the United States, new non-road, spark-ignition engines certified for model year 1997 and later must meet similar standards set forth by the U.S. EPA. Sears must warrant the emission

control system on your engine for the periods of time listed below, provided there has been no abuse, neglect or improper maintenance of your small off-road engine. Your emission control system includes parts such as the carburetor, air cleaner, ignition system, muffler and catalytic converter. Also included may be connectors and other emission related assemblies. Where a warrantable condition exists, Sears will repair your small off-road engine at no cost to you including diagnosis, parts and labor.

Sears Emission Control Defects Warranty Coverage

Small off-road engines are warranted relative to emission control parts defects for a period of one year, subject to provisions set forth below. If any covered part on your

engine is defective, the part will be repaired or replaced by Sears.

Owner's Warranty Responsibilities

As the small off-road engine owner, you are responsible for the performance of the required maintenance listed in your Operating and Maintenance Instructions. Sears recommends that you retain all your receipts covering maintenance on your small off-road engine, but Sears cannot deny warranty solely for the lack of receipts or for your failure to ensure the performance of all scheduled maintenance. As the small off-road engine owner, you should however be aware that Sears may deny you warranty coverage if your small off-road engine or a part has failed due to abuse, neglect,

improper maintenance or unapproved modifications. You are responsible for presenting your small off-road engine to an Authorized Sears Service Dealer as soon as a problem exists. The undisputed warranty repairs should be completed in a reasonable amount of time, not to exceed 30 days. If you have any questions regarding your warranty rights and responsibilities, you should contact a Sears Service Representative at 1-800-469-4663. The emission warranty is a defects warranty. Defects are judged on normal engine performance. The warranty is not related to an in-use emission test.

Sears Emission Control Defects Warranty Provisions

The following are specific provisions relative to your Emission Control Defects Warranty Coverage. It is in addition to the Sears engine warranty for non-regulated engines found in the Operating and Maintenance Instructions.

1. Warranted Parts

Coverage under this warranty extends only to the parts listed below (the emission control systems parts) to the extent these parts were present on the engine purchased.

- a. Fuel Metering System
 - Cold start enrichment system
 - Carburetor and internal parts
 - Fuel Pump
- b. Air Induction System
 - Air cleaner
 - Intake manifold
- c. Ignition System
 - Spark plug(s)
 - Magneto ignition system
- d. Catalyst System
 - Catalytic converter
 - Exhaust manifold
 - Air injection system or pulse valve
- e. Miscellaneous Items Used in Above Systems
 - Vacuum, temperature, position, time sensitive valves and switches
 - Connectors and assemblies

2. Length of Coverage

Sears warrants to the initial owner and each subsequent purchaser that the Warranted Parts shall be free from defects in materials and workmanship which caused the failure of the Warranted Parts for a period of one year from the date the engine is delivered to a retail purchaser.

3. No Charge

Repair or replacement of any Warranted Part will be performed at no charge to the owner, including diagnostic labor which leads to the determination that a Warranted Part is defective, if the diagnostic work is performed at an Authorized Sears Service Dealer. For emissions warranty service contact your nearest Authorized Sears Service Dealer as listed in the "Yellow Pages" under "Engines, Gasoline," "Gasoline Engines," "Lawn Mowers," or similar category.

4. Claims and Coverage Exclusions

Warranty claims shall be filed in accordance with the provisions of the Sears Engine Warranty Policy. Warranty coverage shall be excluded for failures of Warranted Parts which are not original Sears parts or because of abuse, neglect or improper maintenance as set forth in the Sears Engine Warranty Policy. Sears is not liable to cover failures of Warranted Parts caused by the use of add-on, non-original, or modified parts.

5. Maintenance

Any Warranted Part which is not scheduled for replacement as required maintenance or which is scheduled only for regular inspection to the effect of "repair or replace as necessary" shall be warranted as to defects for the warranty period. Any Warranted Part which is scheduled for replacement as required maintenance shall be warranted as to defects only for the period of time up to the first scheduled replacement for that part. Any replacement part that is equivalent in performance and durability may be used in the performance of any maintenance or repairs. The owner is responsible for the performance of all required maintenance, as defined in the Sears Operating and Maintenance Instructions.

6. Consequential Coverage

Coverage hereunder shall extend to the failure of any engine components caused by the failure of any Warranted Part still under warranty.

In the USA and Canada, a 24 hour hot line, **1-800-469-4663**, has a menu of pre-recorded messages offering you engine maintenance information.

REPAIR PROTECTION AGREEMENT

Congratulations on making a smart purchase. Your new Craftsman® product is designed and manufactured for years of dependable operation. But like all products, it may require repair from time to time. That's when having a Repair Protection Agreement can save you money and aggravation.

Here's what the Repair Protection Agreement* includes:

- ☑ **Expert service** by our 10,000 professional repair specialists
- ☑ **Unlimited service and no charge** for parts and labor on all covered repairs
- ☑ **Product replacement** up to \$1500 if your covered product can't be fixed
- ☑ **Discount of 25%** from regular price of service and related installed parts not covered by the agreement; also, 25% off regular price of preventive maintenance check
- ☑ **Fast help by phone** – we call it Rapid Resolution – phone support from a Sears representative. Think of us as a “talking owner's manual.”

Once you purchase the Repair Protection Agreement, a simple phone call is all that it takes for you to schedule service. You can call anytime day or night, or schedule a service appointment online.

The Repair Protection Agreement is a risk-free purchase. If you cancel for any reason during the product warranty period, we will provide a full refund. Or, a prorated refund anytime after the product warranty period expires. Purchase your Repair Protection Agreement today!

Some limitations and exclusions apply. For prices and additional information in the U.S.A. call 1-800-827-6655.

***Coverage in Canada varies on some items. For full details call Sears Canada at 1-800-361-6665.**

Sears Installation Service

*For Sears professional installation of home appliances, garage door openers, water heaters, and other major home items, in the U.S.A. or Canada call **1-800-4-MY-HOME®**.*

ÍNDICE

Declaración de garantía	33	Servicio y Mantenimiento	46-50
Instrucciones de seguridad	34-37	Almacenamiento fuera de temporada	51
Guía de cuesta	38	Solución de problemas	52-53
Montaje	39-42	Número de servicio	Cubierta posterior
Operación	43-45		

DECLARACIÓN DE GARANTÍA

GARANTÍA COMPLETA CRAFTSMAN POR DOS AÑOS

POR DOS AÑOS a partir de la fecha de la compra, este producto está garantizado por defectos en los materiales y la mano de obra. Los productos defectuosos serán reparados sin costo o reemplazados sin costo si la reparación no está disponible.

Para obtener información sobre el alcance de la garantía y solicitar la reparación o el reemplazo, visite el sitio Web: www.craftsman.com.

Esta garantía cubre ÚNICAMENTE los defectos en los materiales y en la mano de obra. Esta garantía NO cubre:

- Artículos de duración limitada que pueden desgastarse bajo condiciones normales de uso durante el período de garantía, tales como cuchillas de cortadora, adaptadores para cuchillas, correas, filtros de aire, y bujías de encendido.
- Producto daños resultantes de los intentos del usuario de modificación del producto, reparación o causados por accesorios de productos.
- Reparaciones necesarias debido al accidente o por no operar o mantener el producto según las instrucciones provistas.
- Mantenimiento preventivo o reparaciones necesarias debido a mezcla de combustible impropia, combustible contaminado o afejo.

La presente garantía se anula si se utiliza este producto alguna vez para prestar servicios comerciales o si se lo alquila a otra persona.

Esta garantía le otorga derechos legales específicos, pero usted podría gozar de otros derechos en razón de su lugar de residencia.

Sears Brands Management Corporation, Hoffman Estates, IL 60179

ESPECIFICACIONES DEL PRODUCTO

Aceite del motor: SAE 30
Combustible: Gasolina sin plomo
Motor: Briggs & Stratton

NÚMERO DE MODELO

Número de modelo _____
Número de serie _____
Fecha de compra _____

Registre el número de modelo, número de serie y fecha de compra más arriba.

INSTRUCCIONES DE SEGURIDAD

⚠ ADVERTENCIA

La presencia de este símbolo indica que se trata de instrucciones importantes de seguridad que se deben respetar para evitar poner en peligro su seguridad personal y/o material y la de otras personas. Lea y siga todas las instrucciones de este manual antes de poner en funcionamiento esta máquina. Si no respeta estas instrucciones podría provocar lesiones personales. Cuando vea este símbolo, ¡preste atención a la advertencia!

⚠ ADVERTENCIA

PROPOSICIÓN 65 DE CALIFORNIA

El escape del motor de este producto, algunos de sus componentes y algunos componentes del vehículo contienen o liberan sustancias químicas que el estado de California considera que pueden producir cáncer, defectos de nacimiento u otros problemas reproductivos.

⚠ PELIGRO

Esta máquina fue construida para ser operada de acuerdo con las reglas de seguridad contenidas en este manual. Al igual que con cualquier tipo de equipo motorizado, un descuido o error por parte del operador puede producir lesiones graves. Esta máquina es capaz de amputar manos y pies y de arrojar objetos con gran fuerza. De no respetar las instrucciones de seguridad siguientes se pueden producir lesiones graves o la muerte.

⚠ ADVERTENCIA

Su responsabilidad—Restrinja el uso de esta máquina motorizada a las personas que lean, comprendan y respeten las advertencias e instrucciones que aparecen en este manual y en la máquina.

¡GUARDE ESTAS INSTRUCCIONES!

FUNCIONAMIENTO

- Lea y siga todas las instrucciones contenidas en este manual antes de intentar ensamblar esta máquina. Lea, comprenda y siga todas las instrucciones que figuran en la máquina y en el o los manuales antes de intentar operarla. Familiarícese completamente con los controles y con el uso apropiado de esta máquina antes de operarla. Guarde este manual en un lugar seguro para referencias futuras y regulares y para solicitar repuestos.
- Estar completamente familiarizado con los controles y el uso apropiado de esta máquina antes de operarla.
- Esta máquina es una pieza de equipo de precisión, no un juguete. Por tanto, tenga la máxima precaución en todo momento. Su unidad ha sido diseñada para realizar una tarea: cortar el césped. No la utilice con ningún otro propósito.
- No permita nunca que los niños menores de 14 años operen esta máquina. Los niños de 14 años y más deben leer y comprender las instrucciones contenidas en este manual y deben ser capacitados y supervisados por uno de los padres. Únicamente los individuos responsables que se hayan familiarizado con estas reglas de seguridad para la operación deberán usar esta máquina.
- Inspeccione minuciosamente el área en donde utilizará el equipo. Saque todas las piedras, palos, cables, huesos, juguetes y otros objetos extraños con los que podría tropezar o que podrían ser arrojados por la cuchilla. Los objetos arrojados por la máquina pueden producir lesiones graves. Planifique el patrón en el que va a ir descargando el recorte para evitar que la descarga de material se realice hacia los caminos, las veredas, los observadores, etc. Evite además descargar material contra las paredes y obstrucciones que podrían provocar que el material descargado rebote contra el operador.
- Para ayudar a evitar el contacto con la cuchilla o una lesión por un objeto arrojado, manténgase en la zona del operador detrás de las manijas y mantenga a los niños, observadores, ayudantes y mascotas apartados al menos 75 metros de la podadora mientras está en operación. Detenga la máquina si alguien entra en la zona.
- Para protegerse los ojos utilice siempre anteojos o antiparras de seguridad mientras opera la máquina o mientras la ajusta o repara. Los objetos arrojados que rebotan pueden lesionar gravemente la vista.
- Utilice zapatos de trabajo resistentes, de suela fuerte y pantalones y camisas ajustados. Se recomienda utilizar camisas y pantalones que cubran los brazos y las piernas, así como calzado con puntas reforzadas en acero. Nunca opere esta máquina con los pies desnudos, sandalias, o con zapatos ligeros o con los que se pueda resbalar (por ejemplo, calzado de lona).
- No ponga las manos o los pies cerca de las piezas rotatorias o en la tolva de la cortadora. El contacto con las cuchillas puede producir la amputación de manos y pies.
- Una cubierta de descarga faltante o dañada puede provocar el contacto con la cuchilla o lesiones por objetos arrojados.
- Muchas lesiones ocurren como resultado de pasar la cortadora sobre los pies durante una caída provocada por derrapes o tropiezos. No se sostenga de la podadora si se está cayendo, suelte la manija inmediatamente.
- Nunca tire hacia usted la podadora mientras camina. Si debe retroceder la podadora para evitar una pared u obstáculo, mire primero abajo y atrás para evitar tropezarse y luego siga estos pasos:
 - a. Retroceda de la podadora hasta estirar completamente sus brazos.
 - b. Asegúrese que está bien equilibrado y bien parado.
 - c. Tire de la podadora lentamente hacia usted, no más allá de la mitad de la distancia entre usted y la podadora.
 - d. Repita estos pasos como se requiera.
- No opere esta máquina estando bajo los efectos del alcohol o de drogas.
- No embrague el mecanismo de autopropulsión en unidades con este equipo mientras arranca el motor.
- El mecanismo de control de la cuchilla es un dispositivo de seguridad. Nunca intente desviarse de su funcionamiento. De hacerlo no funcionarían los dispositivos de seguridad y podrían producirse lesiones personales por el contacto con las cuchillas giratorias. Las manijas de control de la cuchilla deben funcionar bien en ambas direcciones y regresar automáticamente a la posición de desengrane cuando se las suelta.

INSTRUCCIONES DE SEGURIDAD

- Nunca opere la podadora en césped húmedo. Siempre esté seguro de su equilibrio. Si tropieza y cae puede lesionarse gravemente. Si siente que pierde el equilibrio, suelte inmediatamente la manija de control de la cuchilla y la cuchilla dejará de girar en tres segundos.
- Corte el césped solamente con luz de día o con una buena luz artificial. Camine, nunca corra.
- Detenga la cuchilla cuando cruce caminos de gravilla, pasos o andadores.
- Si la máquina comenzara a vibrar de manera anormal, detenga el motor, y busque inmediatamente la causa. La vibración por lo general es una advertencia de algún problema.
- Apague el motor y espere hasta que la cuchilla se detenga completamente antes de retirar la guarda para el recorte de césped o desatorar la tolva. La cuchilla continúa girando por unos cuantos segundos después que el motor se ha apagado. Nunca coloque ninguna parte del cuerpo en el área de la cuchilla hasta que esté seguro que la cuchilla ha detenido su movimiento rotatorio.
- Nunca opere la cortadora sin las guardas apropiadas, cubierta de descarga, guarda para recorte, manija de control de la cuchilla y otros dispositivos de seguridad y protección en su lugar y funcionando. Nunca opere la cortadora si los dispositivos de seguridad están dañados. Si no lo hace, esto puede tener como resultado lesiones.
- El silenciador y el motor se calientan y pueden producir quemaduras. No los toque.
- Utilice solamente partes y accesorios fabricados especialmente para esta máquina, originales del fabricante (OEM). Si no lo hace, esto puede tener como resultado lesiones personales.
- Para encender el motor, jale de la cuerda lentamente hasta que sienta resistencia, luego jale rápidamente. El repliegue rápido de la cuerda de arranque (tensión de retroceso) le jalará la mano y el brazo hacia el motor más rápido de lo que usted puede soltar. El resultado pueden ser huesos rotos, fracturas, hematomas o esguinces.
- Si se presentan situaciones que no están previstas en este manual sea cuidadoso y use el sentido común.

DIENTES

Las pendientes son un factor importante que se relaciona con los accidentes producidos por derrapes y caídas y que pueden producir lesiones graves. La operación en pendientes requiere mayor precaución. Si no se siente seguro en una pendiente, no la pade. Para seguridad, use el medidor de pendientes que se incluye como parte de este manual para medir la pendiente antes de operar la unidad en una zona inclinada. Si la pendiente supera los 15 grados, no la pade.

Haga lo siguiente:

- Mueva la podadora a través de las caras de la pendiente, nunca hacia arriba y abajo. Tenga cuidado cuando cambie de dirección cuando opere la máquina en pendientes.
- Esté atento a los agujeros, raíces, rocas, objetos ocultos o abultamientos que puedan provocar que se derrape o se tropiece. El césped alto puede ocultar obstáculos.
- Siempre esté seguro de su equilibrio. Si tropieza y cae puede lesionarse gravemente. Si siente que pierde el equilibrio, suelte inmediatamente la manija de control de la cuchilla y la cuchilla dejará de girar en tres (3) segundos.

No haga lo siguiente:

- No corte el césped cerca de pozos, hundimientos, bancos, podría perder el equilibrio.
- No pade pendientes mayores de 15 grados como lo indica el medidor de pendientes.
- No pade el césped húmedo. Si no está firmemente parado, puede resbalarse.

NIÑOS

Pueden ocurrir accidentes trágicos si el operador no está atento a la presencia de niños. Por lo general a los niños les atraen las podadoras y la actividad de podar el césped. No entienden los riesgos ni los peligros. Nunca dé por sentado que los niños permanecerán en el mismo lugar donde los vio por última vez.

- Mantenga a los niños fuera del área de trabajo y bajo estricta vigilancia de un adulto responsable además del operador.
- Esté alerta y apague la podadora si un niño ingresa al área.
- Antes y mientras se está moviendo hacia atrás, mire hacia atrás y cuide que no haya niños.
- Tenga extrema precaución cuando se aproxime a esquinas ciegas, entradas de puertas, árboles u otros objetos que puedan obstaculizarle la vista de un niño que pudiese correr hacia la podadora.
- Mantenga alejados a los niños de los motores en marcha o calientes. Pueden sufrir quemaduras con un silenciador caliente.
- Nunca permita que niños menores de 14 años operen esta máquina. Los niños mayores de 14 años deben leer y entender las instrucciones de operación y reglas de seguridad contenidas en este manual y deben ser entrenados y supervisados por sus padres.

SERVICIO

Manejo seguro de la gasolina:

Para evitar lesiones personales o daños materiales sea sumamente cuidadoso al manipular la gasolina. La gasolina es altamente inflamable y los vapores son explosivos. Se puede lesionar gravemente si derrama gasolina sobre usted o sobre la ropa ya que se puede encender.

- Utilice sólo recipientes para gasolina autorizados.
- Nunca llene los contenedores en el interior de un vehículo o camión o caja de camioneta con recubrimientos plásticos. Coloque siempre los recipientes en el piso y lejos del vehículo antes de llenarlos.
- Retire el equipo a gasolina del camión o remolque y llénelo en el piso. Si esto no es posible, entonces llene dicho equipo en un remolque con un recipiente portátil, en vez de desde un dispensador de gasolina.
- Mantenga la boquilla de llenado en contacto con el borde de la entrada del tanque de gasolina o contenedor en todo momento hasta que esté lleno. No utilice un dispositivo para abrir/cerrar la boquilla.
- Apague todos los cigarrillos, cigarros, pipas y otras fuentes de combustión.
- Nunca cargue combustible en la máquina en interiores porque Los vapores inflamables podrían acumularse en el área.
- Nunca saque la tapa del gas ni agregue combustible mientras el motor está caliente o en marcha. Deje que el motor se enfríe por lo menos dos minutos antes de volver a cargar combustible.

INSTRUCCIONES DE SEGURIDAD

- Nunca recargue el tanque de combustible. Llene el tanque no más de 1 pulgada por debajo de la base del cuello de llenado para dejar espacio para la expansión del combustible.
- Vuelva a colocar la tapa de la gasolina y ajústela bien.
- Limpie la gasolina derramada sobre el motor y el equipo. Traslade la máquina a otra zona. Espere 5 minutos antes de encender el motor.
- Nunca almacene la máquina o el recipiente de combustible en un espacio cerrado donde haya fuego, chispas o aparatos con piloto como por ejemplo, calentadores de agua, calentadores, hornos, secadores de ropa u otros aparatos a gas.
- Para reducir el riesgo de incendio mantenga la máquina limpia de pasto, hojas y de acumulación de otros escombros. Limpie los derrames de aceite o combustible y saque todos los desechos embebidos con combustible.
- Deje que la máquina se enfríe 5 minutos por lo menos antes de almacenarla.
- No cambie la configuración del regulador del motor ni acelere demasiado el mismo. El regulador controla la velocidad máxima segura de operación del motor.
- Verifique frecuentemente la línea de combustible, el tanque, el tapón, y los accesorios buscando rajaduras o pérdidas. Reemplace de ser necesario.
- No dé arranque al motor si no está la bujía de encendido.
- Mantenga o reemplace las etiquetas de seguridad, según sea necesario.
- Observe las leyes y normas aplicables para disponer adecuadamente de los desechos. La descarga inapropiada de líquidos o materiales puede dañar el medio ambiente.
- Según la Comisión de Seguridad de Productos para el Consumidor de los Estados Unidos (CPSC) y la Agencia de Protección Ambiental de los Estados Unidos (EPA), este producto tiene una vida útil media de siete (7) años, ó 140 horas de funcionamiento. Al finalizar la vida útil media, adquiera una máquina nueva o haga inspeccionar anualmente ésta Sears por uno u otro distribuidor de servicios para cerciorarse de que todos los sistemas mecánicos y de seguridad funcionan correctamente y no tienen excesivo desgaste. Si no lo hace, pueden producirse accidentes, lesiones o muerte.

Funcionamiento general:

- Nunca encienda un motor en espacios cerrados o en una zona con poca ventilación. El escape del motor contiene monóxido de carbono, un gas inodoro y letal.
- Antes de limpiar, reparar o inspeccionar la máquina, compruebe que la cuchilla y todas las partes que se mueven se han detenido. Desconecte el cable de la bujía y póngalo de manera que haga masa contra el motor para evitar que se encienda de manera accidental.
- Revise los pernos de montaje de la cuchilla y del motor a intervalos frecuentes para verificar que estén bien apretados. Inspeccione además visualmente la cuchilla en busca de daños (abolladuras, desgaste, roturas, etc.). Reemplace la cuchilla con equipo original del fabricante (OEM) listado en este manual. La utilización de partes que no cumplan con las especificaciones de equipos originales podría tener como resultado un rendimiento incorrecto y además la seguridad podría estar comprometida.
- Las cuchillas de las podadoras son muy afiladas y podrían cortar. Envuelva la cuchilla o utilice guantes y extreme precauciones cuando le de servicio.
- Mantenga todos los pernos, tuercas y tornillos bien ajustados para asegurarse que la máquina se encuentra en condiciones seguras de operación.
- Nunca manipule los dispositivos de seguridad de manera imprudente. Controle periódicamente que funcionen de forma adecuada.
- Después de golpear con algún objeto extraño, detenga el motor, desconecte el cable de la bujía y conecte el motor a masa. Inspeccione minuciosamente la máquina para determinar si está dañada. Repare el daño antes de encenderla y operarla.
- Nunca trate de ajustar una rueda o la altura de corte mientras el motor está en marcha.
- Los componentes de la tolva para recorte, cubierta de descarga y escudo de riel, están sujetos a desgaste y daños que podría dejar expuestas partes que se mueven o permitir que se arrojen objetos. Para proteger su seguridad, verifique frecuentemente todos los componentes y reemplácelos sólo con partes de los fabricantes de equipos originales (O.E.M.) listadas en este manual. La utilización de partes que no cumplan con las especificaciones de equipos originales podría tener como resultado un rendimiento incorrecto y además la seguridad podría estar comprometida.

NO MODIFIQUE EL MOTOR

Para evitar lesiones graves o la muerte, no modifique el motor bajo ninguna circunstancia. Si cambia la configuración del regulador del motor el motor puede descontrolarse y operar a velocidades inseguras. Nunca cambie la configuración de fábrica del regulador del motor.

AVISO REFERIDO A EMISIONES

Los motores que están certificados y cumplen con las regulaciones de emisiones federales EPA y de California para SORE (Equipos pequeños todo terreno) están certificados para operar con gasolina común sin plomo y pueden incluir los siguientes sistemas de control de emisiones: Modificación de motor (EM) y catalizador de tres vías (TWC) si están equipados de esa manera.

GUARDACHISPAS

ADVERTENCIA

Esta máquina está equipada con un motor de combustión interna y no debe ser utilizada en o cerca de un terreno agreste cubierto por bosque, malezas o hierba excepto si el sistema de escape del motor está equipado con un amortiguador de chispas que cumpla con las leyes locales o estatales correspondientes, en caso de haberlas.

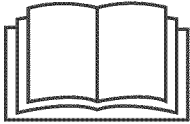



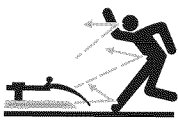




Si se utiliza un amortiguador de chispas el operador lo debe mantener en condiciones de uso adecuadas. En el Estado de California las medidas anteriormente mencionadas son exigidas por ley (Artículo 4442 del Código de Recursos Públicos de California). Es posible que existan leyes similares en otros estados. Las leyes federales se aplican en territorios federales.

Puede conseguir el amortiguador de chispas para el silenciador a través de su distribuidor autorizado de motores o poniéndose en contacto con el centro de servicio Sears.

INSTRUCCIONES DE SEGURIDAD

SÍMBOLOS DE SEGURIDAD

Esta página representa y describe la seguridad los símbolos que pueden parecer en este producto. Lea, comprenda, y siga todas instrucciones en la máquina antes procurar para reunir y operar.

Símbolo	Descripción
	LEA EL MANUAL(S) DEL OPERADOR Lea, comprenda, y siga todas instrucciones en el manual (manuales) antes procurar para reunir y operar.
	PELIGRO— GIRANDO HOJAS Para reducir el riesgo de herida, guarde manos y pies lejos. No funcione a menos que la tapa de descarga o el receptor de hierba estén en su lugar apropiado. De ser dañado, sustituya inmediatamente.
	PELIGRO— ESPECTADORES No siegue cuando los niños o los otros están alrededor.
	PELIGRO— DÉ EL CORTE DE PIE/ Guarde manos y pies lejos de hacer girar partes.
	PELIGRO— Escombros Lanzados Quite objetos que pueden ser lanzados por la lámina en cualquier dirección. Lleve gafas de seguridad.
	PELIGRO— Cuestas Use extra la precaución en cuestas. No siegue cuestas mayores que 15°.
	ADVERTENCIA DESPIDA Para reducir el riesgo de incendio mantenga la máquina limpia de pasto, hojas y de acumulación de otros escombros.
	ADVERTENCIA VAPORES TÓXICOS Nunca encienda un motor en espacios cerrados o en una zona con poca ventilación. El escape del motor contiene monóxido de carbono, un gas inodoro y letal.
	ADVERTENCIA — SUPERFICIE CALIENTE Las partes del motor, especialmente el silenciador, llega a ser muy caliente durante la operación. Permita motor y silenciador para ponerse frío antes de tocar.



ADVERTENCIA: Su responsabilidad—Restringir el uso de esta máquina motorizada a las personas que lean, comprendan y respeten las advertencias e instrucciones de este manual y en la máquina.

GUARDE ESTAS INSTRUCCIONES!

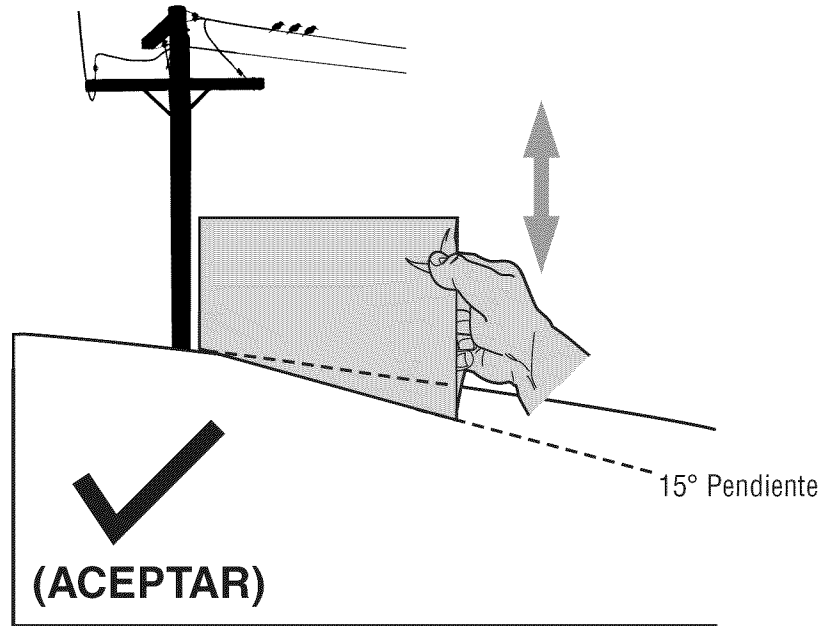


Figura 1

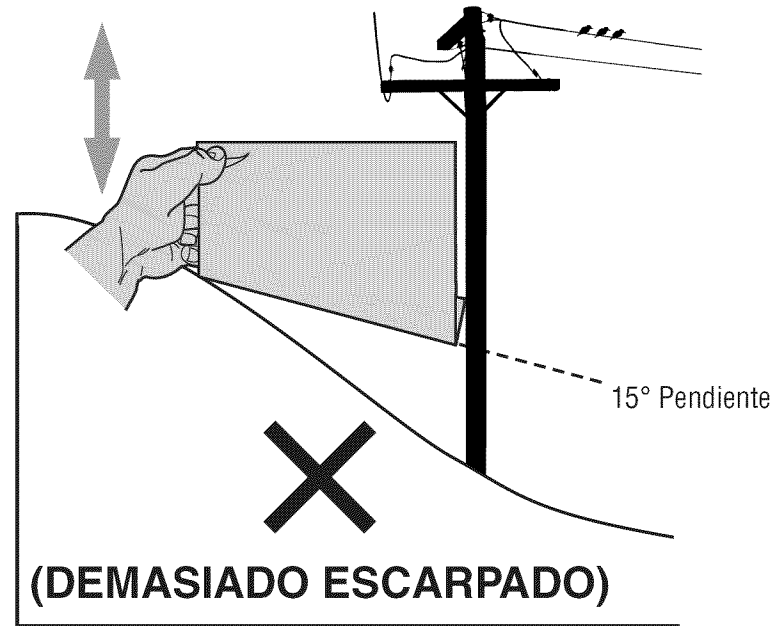


Figura 2

38

15° línea discontinua

USO DE ESTE PENDIENTE DE CALIBRE PARA DETERMINAR SI UNA PENDIENTE ES DEMASIADO ESCARPADO PARA UNA OPERACIÓN SEGURA!

Para comprobar la pendiente, haga lo siguiente:

1. Borrar esta página y doble a lo largo de la línea discontinua.
2. Localizar un objeto vertical sobre o detrás de la pendiente (un poste, un edificio, una valla, un árbol, etc.)
3. Alinee cada lado de pendiente de calibre con el objeto vertical (consultar Figura 1 and Figura 2).
4. Ajuste el pendiente de calibre arriba o hacia abajo hasta los toques esquina izquierda el pendiente (consultar Figura 1 and Figura 2).
5. Si hay un espacio por debajo de la pendiente de calibre, el pendiente es demasiado escarpa por operación segura (consultar Figura 2 above).

⚠ ADVERTENCIA

Las pendientes son un factor importante relacionado con un vuelco y renovación de los accidentes que pueden provocar lesiones graves o la muerte. No utilice la máquina en pendientes de más de 15 grados. Todos pendientes requiere mayor precaución. Si no puede retroceder en la pendiente o si se siente inseguro en ella, no la recorte. Siempre corte el césped en toda la superficie de la cuesta. Nunca arriba y abajo las pendientes.

MONTAJE

IMPORTANTE: Esta unidad se envía sin gasolina ni aceite en el motor. Antes de comenzar o correr la máquina cargue el motor con gasolina y aceite como se indica en la sección de operación de este manual.

NOTA: Las referencias a los lados derecho e izquierdo de la cortadora de césped se hacen observando la máquina desde la posición de operación.

APERTURA DE LA CAJA DE CARTÓN

1. Corte cada una de las esquinas de la caja verticalmente, de la parte superior a la base.
2. Saque todas las piezas sueltas.
3. Quite el material de empaque suelto.

CÓMO SACAR LA UNIDAD DE LA CAJA

1. Eleve la unidad desde la parte posterior para separarla del material de la caja que quede debajo y haga rodar la unidad fuera de la caja.
2. Verifique cuidadosamente si en la caja queda alguna parte suelta.

Piezas sueltas dentro de la caja

- Tolva de descarga lateral
- Colector de césped
- Aceite del motor

Montaje

Montaje de la manija

1. Retire el material de empaque que pudiera estar entre las manijas superior e inferior.
 - a. Quite los tornillos y tuercas de mariposa transporte desde el mango como se muestra en la Figura 1. No afloje o quite adyacentes tornillos de cabeza hexagonal.
 - b. Si bien la estabilización de cortacésped por lo que no se mueve, pivote esa superior como se muestra en la Figura 2. No engarzado cable mientras levanta la palanca hacia arriba.
2. Retire la T-pernos de la manija entre corchetes como se muestra en la Figura 3.

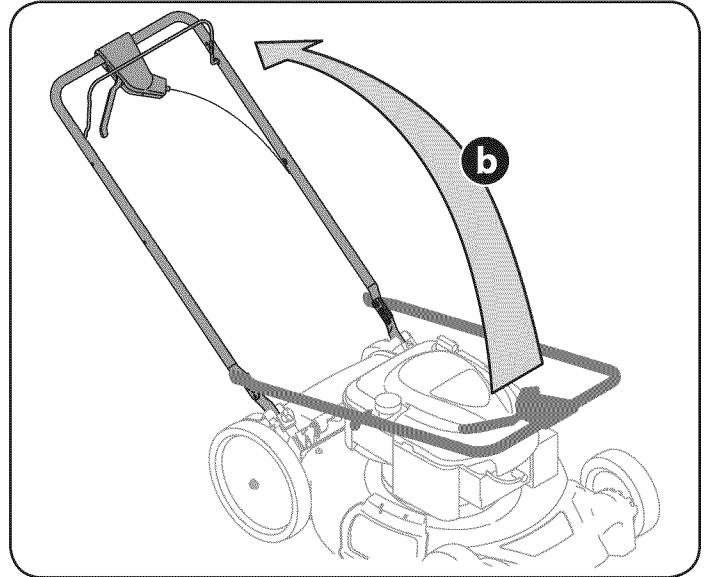


Figura 2

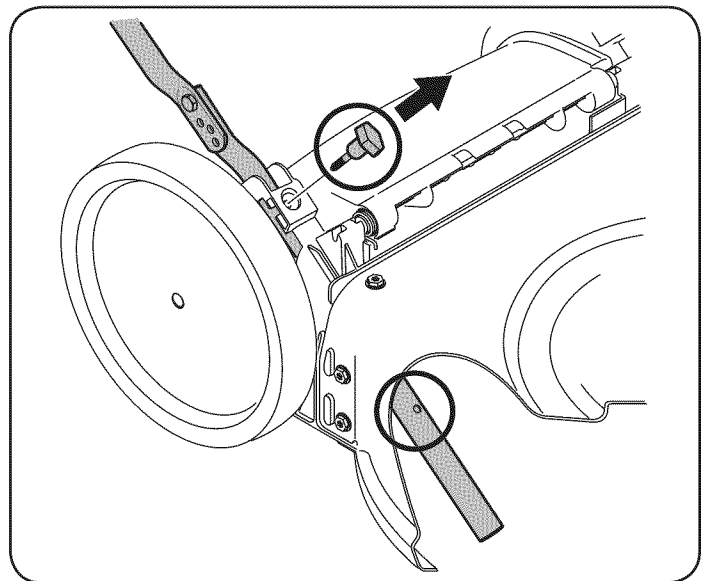


Figura 3

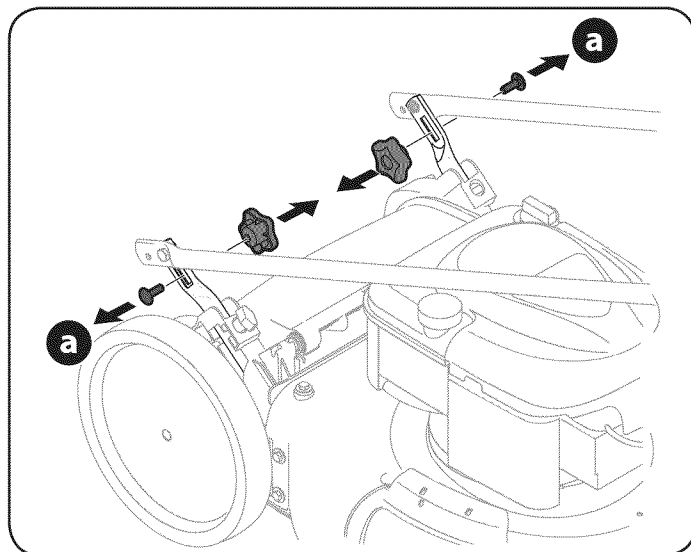


Figura 1

MONTAJE

3. Siga los siguientes pasos para completar conjunto del mango:
 - a. Tire hacia arriba en el asa hasta agujeros en la manija (que se muestra en la Figura 3 corte de la cubierta) se alinean con los agujeros en el mango soporte. Vea la Figura 4.

NOTA: Al tirar hacia arriba la palanca, asegúrese de que no tire de manejar todo el camino.

- b. Inserte el T-pernos quitó anteriormente a través del mango corchetes y asa inferior y apriete bien para asegurar el mango en su lugar. Vea la Figura 4.
 - c. Vuelva a colocar tuercas y pernos de transporte retirarse antes en una reducción de los agujeros de la manija como se muestra en la Figura 5.
4. La guía de la cuerda, que está conectada a la varilla de sostén, se encuentra sobre el lado derecho de la manija inferior. Vea la Figura 6.
 - a. Sostenga la manija de control de la cuchilla contra la manija superior.
 - b. Jale la cuerda de arranque para sacarla del motor. Suelte el control de la cuchilla.
 - c. Deslice la cuerda de arranque en la guía.
 - d. La atadura de cable uso para garantizar cable para bajar de manejar.

Conexión de la colectora de césped

1. Para ensamblar el colector de césped (de ser necesario), Haga el cierto bolso es dio vuelta a la derecha el lado antes de reunir (la advertencia de la etiqueta será por fuera):
 - a. Coloque la bolsa sobre el marco con el lado negro de plástico en el fondo.
 - b. Deslice el canal de plástico sobre los ganchos del marco. Vea la Figura 7.

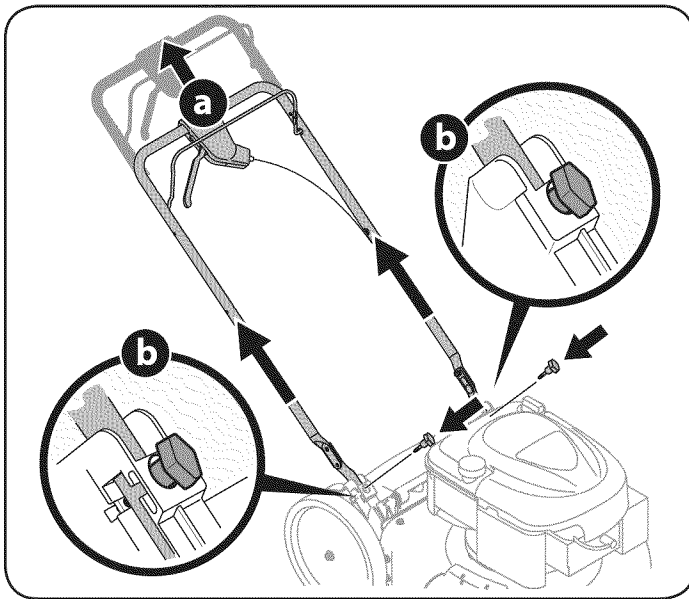


Figura 4

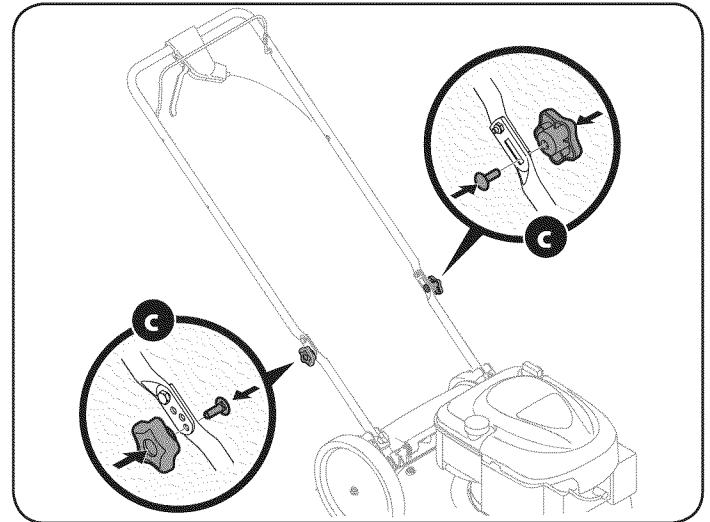


Figura 5

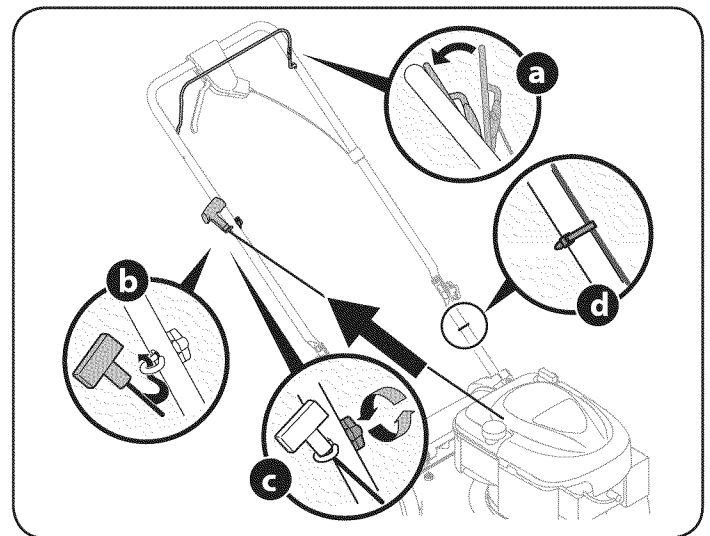


Figura 6

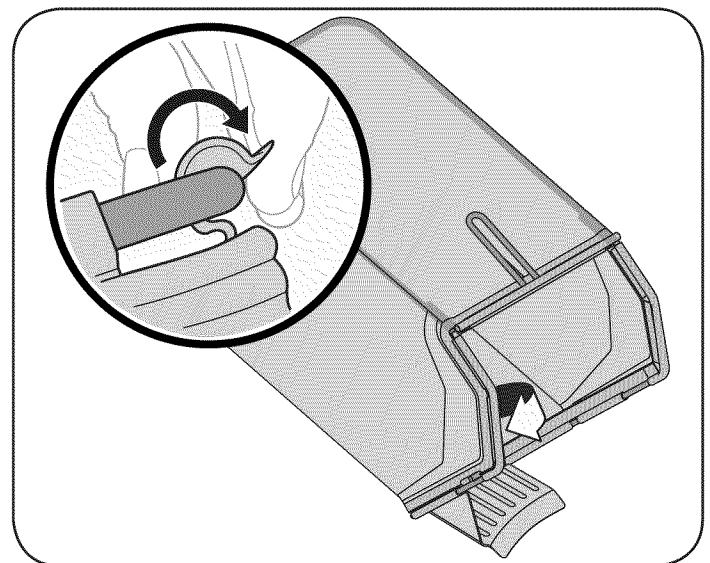


Figura 7

MONTAJE

2. Para acoplar el colector de césped:
 - a. Levante la puerta de descarga posterior.
 - b. Lugar de colección de césped en las ranuras en el mango entre corchetes como se muestra en la Figura 8. Suelte la puerta de descarga de modo que descansa sobre el colector de césped.

Para quitar al receptor de hierba, levante la puerta de descarga trasera en el cortacésped. Ascensor césped y fuera de las ranuras en el mango entre paréntesis. El reverso de liberación descarga la puerta para permitir que ello cerrara la apertura trasera del cortacésped.

Conexión de Canal de Descarga Lateral

Su podadora ha sido enviada como abonadora. Si hace la conversión a descarga lateral, asegúrese de que el colector de césped esté fuera de la unidad y que la puerta de descarga trasera esté cerrada.

1. En el costado de la podadora, levante el adaptador para abono. Vea Figura 9.
2. Deslice los dos ganchos del canal de descarga lateral debajo del pasador de bisagra sobre el montaje del adaptador para abono. Baje el adaptador para abono. No extraiga la clavija para abono lateral en cualquier momento, aún cuando no esté abonando.

Ajustes

Altura de corte

Hay una palanca de ajuste de altura de corte situada por encima de la rueda trasera izquierda.

1. Presione la palanca hacia la rueda (unidad tenderá a caer cuando se suelta la palanca).
2. Muévela a cualquier de las posiciones para la altura de corte deseado. Vea la Figura 10.
3. Libere la palanca hacia la cubierta de la podadora.

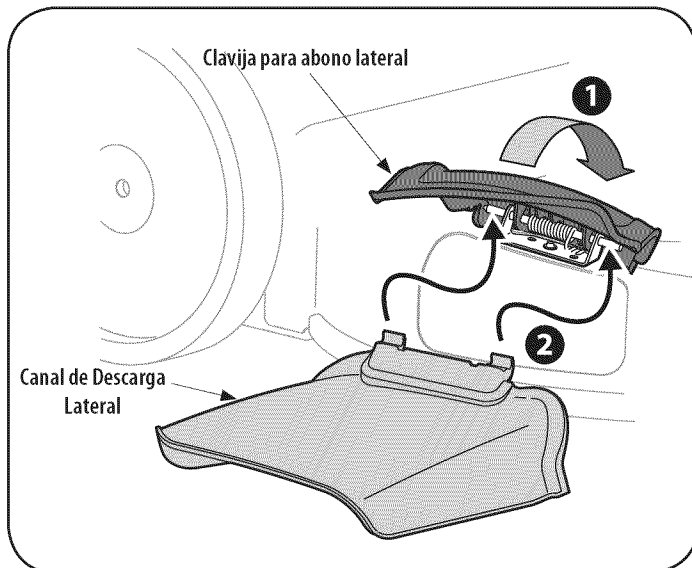


Figura 9

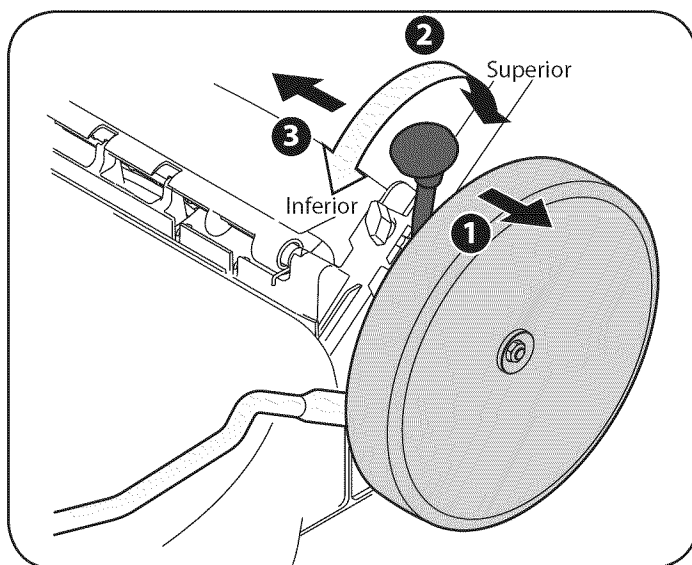


Figura 10

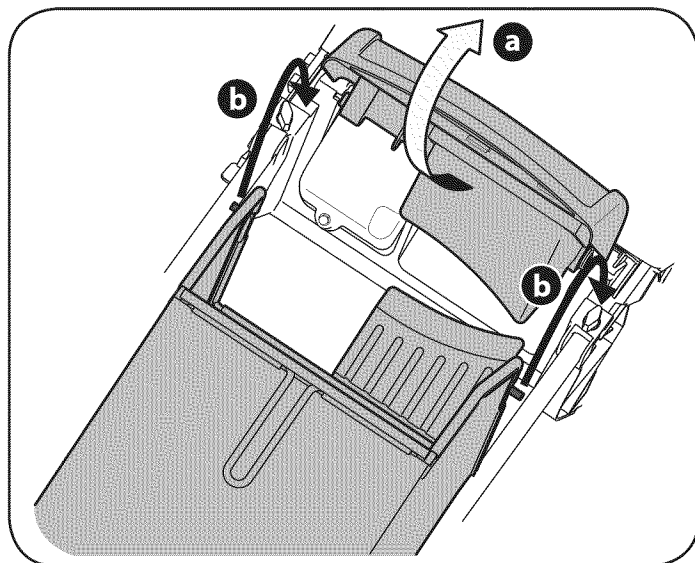


Figura 8

MONTAJE

Inclinación de la manija

Por conveniencia de la operación, puede ajustar la inclinación de la manija de la siguiente manera:

1. Quite los tornillos y tuercas de mariposa transporte de manejar. Vea la Figura 11.
2. Coloque el mango en una de las tres posiciones que se sienta más cómodo. Vea la Figura 11 inserción.
3. Fije la posición con tuercas y pernos de transporte eliminado antes.

Control de transmisión

La rueda de ajuste está ubicada en el alojamiento de la manija de control de transmisión y se utiliza para ajustar o aflojar la correa de transmisión. Deberá ajustar el control de transmisión si la podadora no se autopropulsa con el control de transmisión enganchado o si las ruedas de la podadora vacilan con el control de transmisión enganchado. Si ocurre alguna de estas condiciones, rote la rueda de ajuste en sentido de las agujas del reloj para ajustar el cable o en sentido contrario a las agujas del reloj para aflojar el cable. Vea la Figura 12.

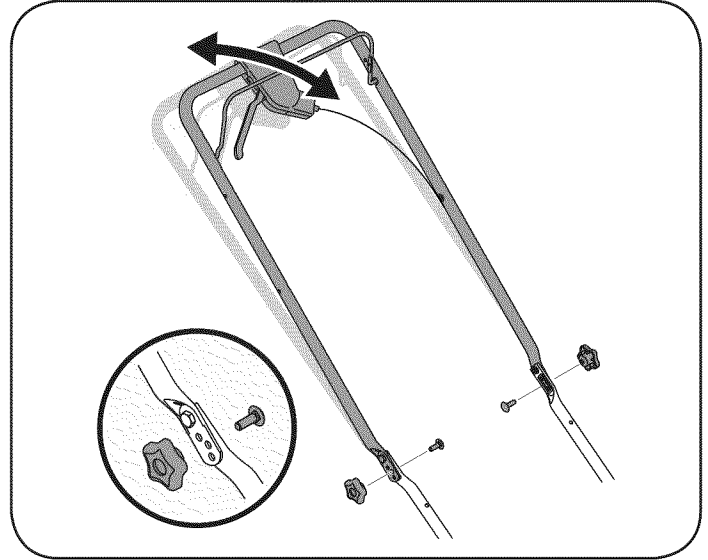


Figura 11

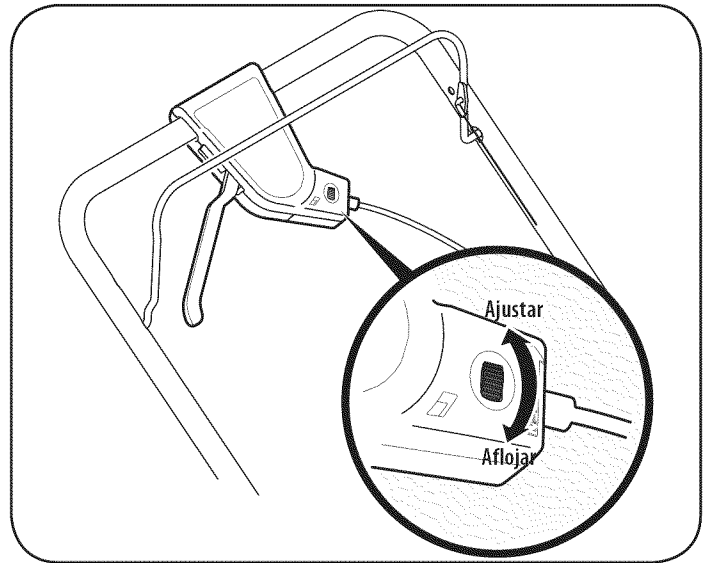


Figura 12

OPERACIÓN

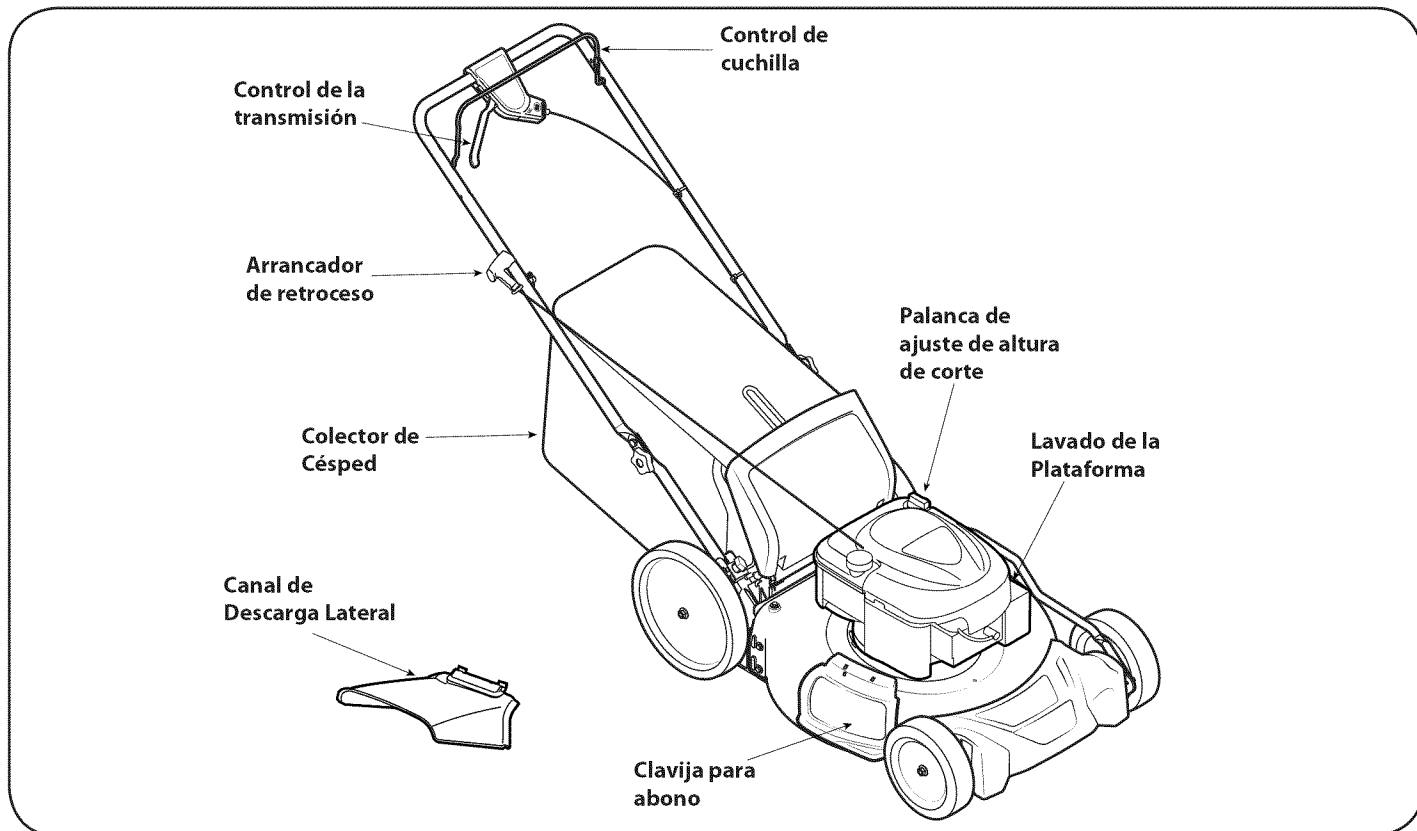


Figura 13

Control de Cuchilla

El control de la cuchilla está unido a la manija superior. Presione la manija de control de la cuchilla contra la manija superior para operar la unidad. Suelte la manija de control de la cuchilla para detener el motor y la cuchilla.

⚠ ADVERTENCIA

El control de la cuchilla es un dispositivo de seguridad. Nunca intente anular su funcionamiento.

Control de la transmisión

El control de transmisión se encuentra en la parte oculta de la manija superior y se utiliza para enganchar la transmisión. Apriételo contra la manija superior para enganchar la transmisión, libérela para disminuir la velocidad o detener la podadora.

Palanca de Ajuste de la Altura de Corte

La palanca de ajuste de altura de corte se ubica por encima de la rueda izquierda trasera. Para ajustar la altura de corte, se refieren a la sección de Montaje.

Lavado de la Plataforma

La plataforma de su podadora está equipada con un puerto de agua sobre su superficie como parte del sistema de lavado de la plataforma. Utilice el lavado de la plataforma para lavar la parte inferior de la plataforma y quitar los recortes de césped.

Clavija Para Abono

El adaptador para abono se utiliza únicamente para propósitos de abono. En vez de recolectar los recortes del césped en un colector de césped o canal de descarga lateral, algunos modelos de podadora tienen la opción de recircular los recortes en el césped. Esto se llama abonar.

Colector de Césped

El colector de césped, localizado en el reverso del cortacésped, es usado para empaquetar los recortes de periódico de césped para la disposición en otro sitio. Una vez que el bolso es lleno, tiene que ser quitado del cortacésped y vaciado antes más lejos segar.

Canal de Descarga Lateral

Su cortacésped es transportado como un mulcher. Para descargar los recortes de periódico de hierba al lado en cambio, siga las instrucciones en la sección de Montaje para atar el canal de descarga lateral.

⚠ ADVERTENCIA

Mantenga sus manos y pies alejados del área del canal de la plataforma de corte. Consulte la etiqueta de advertencias en la unidad.

Arrancador de Retroceso

El arrancador de retroceso está unido a la manija superior derecha. Para encender la unidad colóquese detrás de la misma y tire de la cuerda del arrancador de retroceso.

Cumple con las normas de seguridad de ANSI

Las cortadoras de césped Craftsman cumplen con las normas de seguridad del Instituto Estadounidense de Normas Nacionales (ANSI).

OPERACIÓN

LLENADO DE GASOLINA Y ACEITE

Aceite (se envía una botella junto con la unidad)

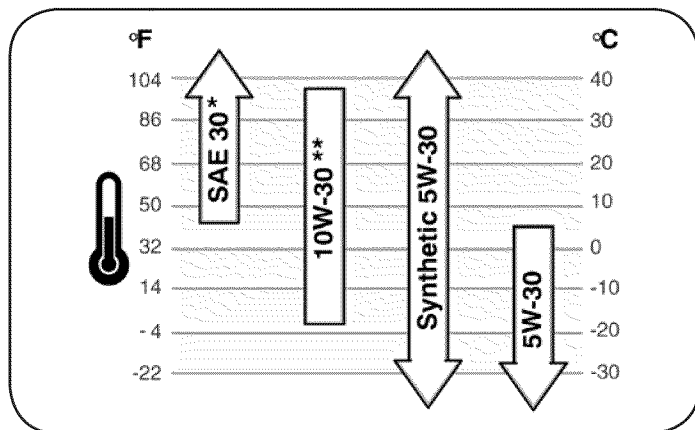
Primer uso

1. Saque la varilla del nivel de aceite (G). Vea la Figura 14.
2. Con la cortadora de césped ubicada en suelo nivelado, vierta el aceite lentamente por dentro del tubo de llenado de aceite del motor (H).
3. Vuelva a colocar la varilla de llenado de aceite y ajústela.

Usos posteriores

Use aceite para motor de 4 tiempos que cumpla o sobrepase los requisitos para la clasificación de servicio API SF, SG, SH, SJ o equivalente. Compruebe siempre la etiqueta de servicio API en el recipiente del aceite para asegurarse que incluye las letras SF, SG, SH, SJ o equivalente.

Temperaturas al aire libre de determinar la viscosidad del aceite correcto para el motor. Use la tabla para seleccionar la mejor viscosidad para el rango de temperatura al aire libre se espera.



* Por debajo de 40 °F (4 °C) el uso de SAE 30 dará lugar a duros de partida.

** Por encima de 80 °F (27 °C) el uso de 10W-30 puede provocar un aumento del consumo de petróleo. Nivel de aceite con más frecuencia.

1. Revise el aceite con el motor parado y nivelado.
2. Quite la tapa del depósito de aceite/varilla medidora del nivel de aceite y límpiela.
3. Coloque y ajuste la varilla indicadora. Luego quítela para revisar el nivel de aceite. Vea la Figura 14.
4. Si el nivel de aceite está cerca o por debajo de la marca de límite bajo de la varilla medidora del nivel de aceite, quite la tapa del depósito de aceite/varilla medidora del nivel de aceite y llénelo con el aceite recomendado hasta la marca de límite superior. No llene de más.
5. Vuelva a instalar la tapa/varilla medidora del nivel de aceite.

Gasolina

PRECAUCIÓN

No utilice gasolinas no aprobadas, tales como E85. No mezcle el aceite en la gasolina o modificar el motor para funcionar con combustibles alternativos. Esto dañará los componentes del motor y anulará la garantía del motor.

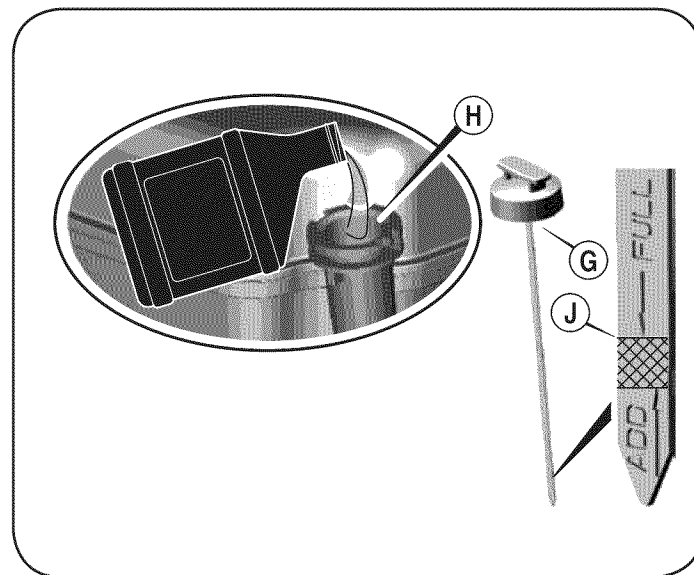


Figura 14

De combustible debe cumplir estos requisitos:

- Limpia, fresca, la gasolina sin plomo.
- Un mínimo de 87 octane/87 AKI (91 RON).
- La gasolina con hasta un 10% de etanol (gasohol) es aceptable.

Eche gasolina en un área bien ventilada y con el motor parado. Si el motor ha estado funcionando, deje que se enfrie primero. No eche gasolina a la máquina en el interior de un edificio donde los vapores de la gasolina puedan estar expuestos a alguna llama o chispa.

ADVERTENCIA

La gasolina es altamente inflamable y explosiva y usted puede quemarse o lesionarse gravemente al reabastecer. Pare el motor y mantenga lejos el calor, las chispas y las llamas. Reabastezca sólo al aire libre. Limpie inmediatamente los derrames.

Si va a usar el equipo de forma intermitente o sólo ocasionalmente, consulte la sección de Almacenamiento Fuera de Temporada para obtener más información sobre el deterioro del combustible.

NOTA: El combustible puede dañar la pintura y algunos tipos de plástico. Tenga cuidado de no derramar combustible cuando llena el tanque.

No use nunca gasolina rancia o contaminada ni mezclas de aceite y gasolina. No permita que entre suciedad o agua en el tanque de combustible.

1. Quite la tapa del tanque de combustible.
2. Agregue combustible hasta la parte inferior del límite de nivel de combustible en el tubo del tanque. No llene de más. Limpie el combustible derramado antes de arrancar el motor.
3. Apriete el tapón firmemente.
4. Antes de arrancar el motor, aléjese al menos 3 metros del emplazamiento y la fuente de la gasolina.

OPERACIÓN

⚠️ ADVERTENCIA

Asegúrese de que ninguna persona aparte del operador permanezca cerca de la cortadora mientras arranca el motor u opera la misma. Nunca encienda el motor en espacios cerrados o en una zona con poca ventilación. El escape del motor contiene monóxido de carbono, un gas inodoro y letal. Mantenga las manos, los pies, el cabello y la ropa suelta alejados de las partes móviles del motor y de la cortadora.

PARA ENCENDER EL MOTOR

1. Colóquese detrás de la podadora, apriete la manija de control de la cuchilla y sosténgala contra la manija superior.
2. Sostenga firmemente las dos manijas juntas, tome la manija del arrancador de retroceso y tire de la cuerda para sacarla con un movimiento rápido y continuo. Vea la Figura 15. Mantenga firme la manija del arrancador, deje que la cuerda regrese lentamente al arrancador. Repita hasta que el motor esté en marcha. Deje que la cuerda se enrosque lentamente de regreso.

⚠️ ADVERTENCIA

De retracción rápida del cordón de arranque (soborno) tirará de mano y el brazo hacia el motor más rápido de lo que puede dejar ir. Las fracturas de huesos, fracturas, contusiones o esguinces podría resultar.

PARA DETENER EL MOTOR

1. Suelte la manija de control de la cuchilla para detener el motor y la cuchilla.

⚠️ ADVERTENCIA

Espere a que la cuchilla se haya detenido por completo antes de hacer cualquier trabajo en la cortadora o de retirar el colector de césped.

Uso de la cortadora de césped

Asegúrese de que el césped está libre de piedras, palos, cables u otros objetos que pudiesen dañar la cortadora o el motor. Dichos objetos pueden ser arrojados accidentalmente por la cortadora en cualquier dirección y provocar lesiones personales graves al operador y a otras personas.

1. Una vez que el motor esté funcionando y sin dejar de mantener el control de la cuchilla, apriete el control de la transmisión contra la manija superior para propulsar la podadora.

⚠️ ADVERTENCIA

Al operar una cortadora de césped es posible que objetos extraños sean arrojados a los ojos, lo cual puede dañarlos gravemente. Utilice siempre gafas de seguridad durante la operación de la cortadora de césped o mientras la ajusta o repara.

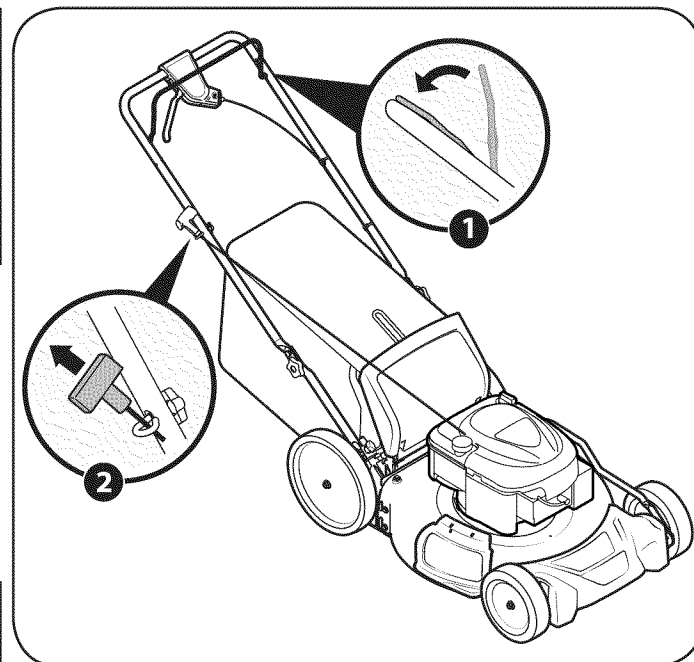


Figura 15

Uso como abonadora

Para abonar el césped, quite el colector de césped y el canal de descarga lateral de la máquina. Para un abono eficiente, no corte césped húmedo. Si el césped ha crecido más de 10,2 cm. (4 pulg.) no se recomienda el uso de la podadora como abonadora. En ese caso, use el colector de césped para embolsar los recortes.

Uso del Colector de Césped

Puede utilizar el colector de césped para recoger dichos recortes mientras opera la podadora.

1. Acople el colector de césped siguiendo las instrucciones en la sección de Montaje. Los recortes de césped se recolectarán automáticamente en la bolsa a medida que pase la podadora. Opere la podadora hasta que la bolsa de recolección esté llena.
2. Detenga el motor por completo soltando la manija de control de la cuchilla. Compruebe que la unidad se haya detenido por completo.
3. Para deshacerse de los recortes de césped levante la puerta de descarga y tire de la bolsa de recolección hacia arriba, apartándola de la podadora.

NOTA: Asegúrese de limpiar cualquier exceso de césped alrededor de la abertura trasera de la segadora, especialmente entre la cubierta de la transmisión y la pared lateral en el lado izquierdo y en la parte inferior, para asegurar un ajuste apretado de la bolsa en la segadora.

⚠️ ADVERTENCIA

Si golpea un objeto extraño, detenga el motor. Retire el cable de la bujía, inspeccione detenidamente la cortadora para ver que no tenga daños, y repare el daño antes de volver a encender y operar. El exceso de vibración de la cortadora durante la operación es una indicación de daño. Se debe inspeccionar y reparar la unidad lo antes posible.

SERVICIO Y MANTENIMIENTO

PROGRAMA DE MANTENIMIENTO

ADVERTENCIA

Antes de realizar cualquier tipo de mantenimiento o servicio, desenganche todos los controles y detenga el motor. Espere a que se detengan completamente todas las piezas móviles. Desconecte el cable de la bujía y póngalo haciendo masa contra el motor para evitar que se encienda accidentalmente.

Siga el cronograma de mantenimiento que se presenta a continuación. Esta tabla sólo describe pautas de servicio. Utilice la columna Registro de Servicio para hacer el seguimiento de las tareas de mantenimiento completadas. Para ubicar el Centro de Servicio Sears más cercano o para programar un servicio, simplemente comuníquese con Sears al teléfono 1-800-4-MY-HOME®.

Intervalo	Artículo	Servicio	Registro de servicio
Cada uso	<ol style="list-style-type: none"> Nivel de aceite del motor Piezas sueltas o faltantes Depurador de aire Unidad y motor 	<ol style="list-style-type: none"> Verificar Ajustar o reemplazar Verificar Limpie 	
Tras mes o 5 horas	<ol style="list-style-type: none"> Aceite del motor 	<ol style="list-style-type: none"> Cambiar 	
Anualmente o 25 horas	<ol style="list-style-type: none"> Depurador de aire † Varillajes/pivotes de control y ruedas La parte inferior de la plataforma de la cortadora de césped^ 	<ol style="list-style-type: none"> Limpiar o reemplazar Lubricar con aceite ligero Limpie 	
Anualmente o 50 horas	<ol style="list-style-type: none"> Aceite del motor †† 	<ol style="list-style-type: none"> Cambiar 	
Anualmente	<ol style="list-style-type: none"> Bujía de encendido Depurador de aire 	<ol style="list-style-type: none"> Reemplazar Reemplazar 	
Antes de almacenar	<ol style="list-style-type: none"> Sistema de combustible 	<ol style="list-style-type: none"> Hacer funcionar el motor hasta que se detenga por falta de combustible o añadir estabilizador de un tanque lleno de combustible nuevo antes de su almacenamiento. 	

† Limpio más a menudo en condiciones polvorientas o cuando los escombros aerotransportados están presentes. Sustituya el filtro de aire de ser muy sucio.

†† Cambie el petróleo cada 25 horas when funcionamiento del motor bajo la carga pesada o en temperaturas altas.

^ Revisar y limpiar más a menudo si la segadora se utiliza normalmente en la configuración de acolchado.

ADVERTENCIA

Detenga siempre el motor, desconecte el cable de la bujía y haga masa contra el motor antes de realizar cualquier tarea de mantenimiento a su máquina.

RECOMENDACIONES GENERALES

- Respete siempre las reglas de seguridad cuando realice tareas de mantenimiento.

- La garantía de esta cortadora no cubre elementos que han estado sujetos al mal uso o la negligencia del operador. Para recibir el reembolso total de la garantía, el operador deberá dar mantenimiento al equipo tal y como se indica en este manual.
- El cambio de la velocidad controlada del motor invalidará la garantía del motor.
- Todos los ajustes deben ser verificados por lo menos una vez en cada estación.
- Revise periódicamente todos los sujetadores y compruebe que estén bien ajustados.

SERVICIO Y MANTENIMIENTO

MANTENIMIENTO DEL MOTOR

Bujía de encendido

Para un buen funcionamiento, la bujía debe estar adecuadamente abierta y libre de depósitos. Reemplace la bujía anualmente.

1. Desconecte el capuchón de la bujía y retire cualquier suciedad del área de ésta.
2. Use la llave de bujías del tamaño adecuado para extraerla.

NOTA: Reemplazar con una Champion® RJ2YXLE bujía.

3. Compruebe el entrehierro con un calibrador de alambre. La separación correcta es 0,020 in. (0,51 mm). Vea la Figura 16. Si es necesario, reajuste el entrehierro.
4. Instale y apriete la bujía al par de apriete recomendado. Para el ajuste del entrehierro o el par de apriete, consulte la sección de Especificaciones.
5. Coloque el capuchón de la bujía.

Filtro de aire

Un filtro de aire sucio restringirá el flujo de aire al carburador y causará el funcionamiento defectuoso del motor. Inspeccione el filtro cada vez que opere el motor. Necesitará limpiar con más frecuencia el filtro si usted opera el motor en áreas muy polvorientas.

Limpie el filtro de aire cada 25 horas de la operación o una vez por temporada. Reemplace el filtro de aire anualmente.

⚠ ADVERTENCIA

Nunca arranque u opere el motor si removió el conjunto del filtro de aire o el filtro de aire.

NOTA: No use aire a presión ni solventes para limpiar el filtro. El aire a presión puede dañar el filtro y los solventes pueden disolverlo.

1. Afloje el tornillo que sujeta la tapa de plástico y tapa de la carcasa de inclinación en la parte de abajo del motor. Ver Figura 17.
2. Quite el filtro de aire de la vivienda cubierta de plástico.
3. Para aflojar los desechos, golpee suavemente el filtro sobre una superficie dura. Si el filtro está excesivamente sucio, reemplácelo con un nuevo filtro.
4. Inserte aquí cubierta en las ranuras en la parte inferior de la base.
5. Inclinación de la cubierta para arriba en lugar seguro y con cierre.

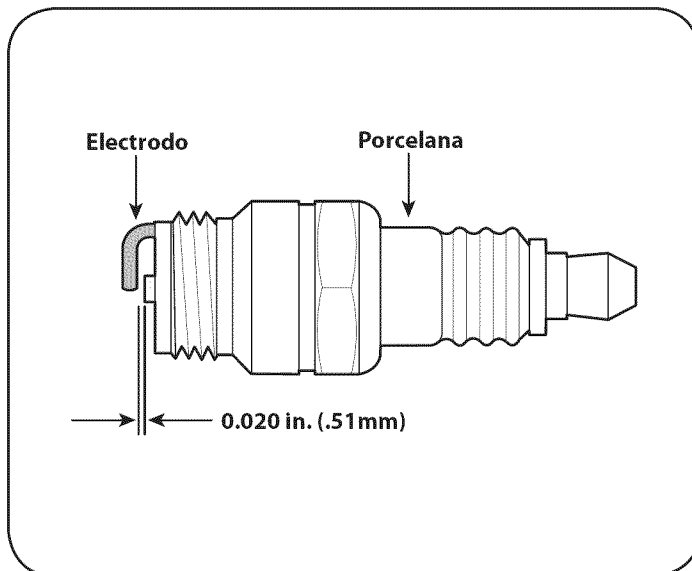


Figura 16

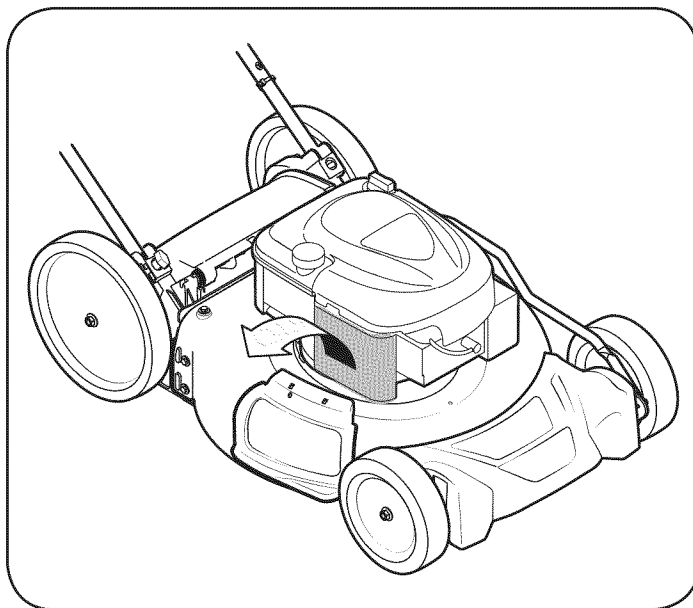


Figura 17

SERVICIO Y MANTENIMIENTO

Comprobar el aceite del motor

Comprobar el nivel de aceite antes de cada operación. Asegúrese de que el nivel de aceite se mantiene.

1. Revise el aceite con el motor parado y nivelado.
2. Quite la tapa del depósito de aceite/varilla medidora del nivel de aceite y límpiela.
3. Coloque y ajuste la varilla indicadora. Luego quítela para revisar el nivel de aceite.
4. Si el nivel de aceite está cerca o por debajo de la marca de límite bajo de la varilla medidora del nivel de aceite, quite la tapa del depósito de aceite/varilla medidora del nivel de aceite y llénelo con el aceite recomendado hasta la marca de límite superior. No llene de más.
5. Vuelva a instalar la tapa/varilla medidora del nivel de aceite.

Cambiar el aceite del motor

⚠ ADVERTENCIA

La gasolina y sus vapores son extremadamente inflamables y explosivos. Un incendio o una explosión pueden causar graves quemaduras o la muerte.

Cambie el aceite del motor después de las primeras cinco horas de operación, y cada cincuenta horas o una vez a la temporada después.

⚠ ADVERTENCIA

Si drena el aceite desde el tubo superior de llenado de aceite, el tanque de combustible debe estar vacío o de lo contrario podría presentarse una fuga de combustible que podría ocasionar un incendio o una explosión. Para desocupar el tanque de combustible, opere el motor hasta que se detenga por la falta de combustible.

1. Con el motor apagado pero aún caliente, desconecte el cable de la bujía y manténgalo a distancia de la bujía.
2. Coloque un recipiente adecuado cerca del motor para recoger el aceite usado.
3. Quite la tapa/varilla medidora del nivel de aceite y drene el aceite al recipiente inclinando el motor hacia el tubo de llenado del aceite. Vea la Figura 18.

⚠ PRECAUCIÓN

El aceite usado es un residuo peligroso. Elimine el aceite usado adecuadamente. No lo arroje junto con los residuos domiciliarios. Consulte a las autoridades locales o al centro de servicio Sears para averiguar dónde hay instalaciones para la eliminación/ reciclaje segura(o) del aceite usado.

4. Con el motor en una posición nivelada, llene hasta la marca de límite alto en la varilla medidora del nivel de aceite con el aceite recomendado.

⚠ PRECAUCIÓN

Poner en marcha el motor con un nivel de aceite bajo puede causar daños en el motor.

5. Vuelva a instalar bien la tapa/varilla medidora del nivel de aceite.

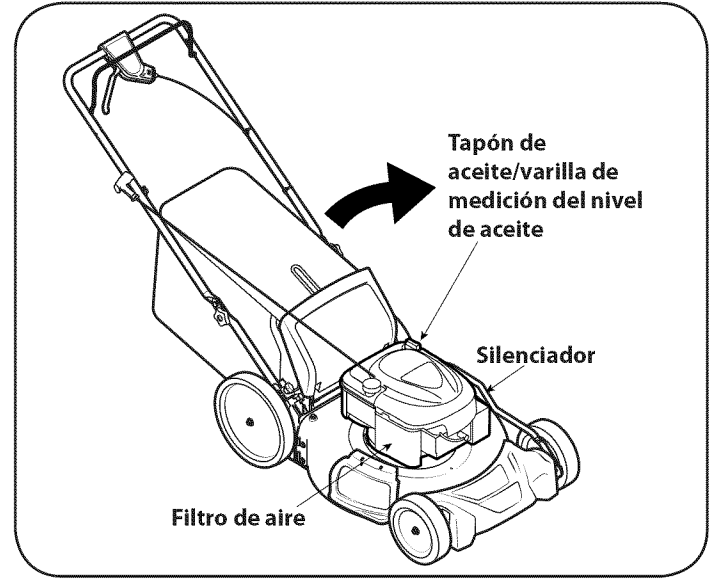


Figura 18

Limpie el motor

- Diariamente o antes de cada uso, limpie el césped, la grasa o los residuos acumulados del motor. Mantenga limpios el varillaje, los resortes y los controles. Mantenga el área que rodea al silenciador y detrás del mismo libre de cualquier residuo combustible.
- El mantenimiento del motor en condiciones limpias permite el movimiento de aire alrededor del mismo.
- Las partes del motor se deben mantener limpias para reducir el riesgo de sobrecalentamiento y combustión de los residuos acumulados.

⚠ PRECAUCIÓN

No use agua para limpiar las piezas del motor. El agua puede contaminar el sistema de combustible. Use un cepillo o un trapo seco.

SERVICIO Y MANTENIMIENTO

LUBRICACIÓN

Control de la cuchilla

Lubrique con aceite ligero los puntos de pivote del control de la cuchilla al menos una vez cada estación. Este control debe funcionar libremente en ambas direcciones. Vea la Figura 19.

Lavado de la Plataforma

La plataforma de su podadora está equipada con un puerto de agua sobre su superficie como parte del sistema de lavado de la plataforma.

Utilice el lavado de la plataforma para lavar la parte inferior de la plataforma y quitar los recortes de césped e impedir la acumulación de sustancias químicas corrosivas.

Realice los siguientes pasos **DESPUÉS DE CADA CORTE DE CÉSPED**:

1. Empuje la podadora a una zona nivelada y despejada del césped, que se encuentre suficientemente cerca de una canilla de agua al alcance de la manguera del jardín. Si adjunta, quite la bolsa de césped.

PRECAUCIÓN

Asegúrese de que el canal de descarga de la podadora **NO ESTÉ ORIENTADO** en la dirección en que se encuentran la casa, el garaje, los vehículos estacionados, etc.

2. Enrosque el acople de manguera (embalado con el Manual del Operador de su tractor) en el extremo de la manguera de jardín.
3. Una el acople de la manguera al puerto de agua que se encuentra en la superficie de la plataforma. Vea la Figura 20.
4. Abra el suministro de agua.
5. Arranque el motor como se describe en la sección de Operación.
6. Hacer funcionar el motor durante dos minutos como mínimo, permitiendo que la parte inferior de la plataforma de corte se lave a fondo.
7. Hoja de control de la cuchilla al parar el motor y la cuchilla.
8. Desconecte el agua y retire el acoplador de la manguera desde el puerto de agua que se encuentra en la superficie de la plataforma.

Después de limpiar la plataforma, reinicie la podadora. Mantenga el motor y la cuchilla en funcionamiento durante dos minutos por lo menos para permitir que se seque totalmente el lado inferior de la misma.

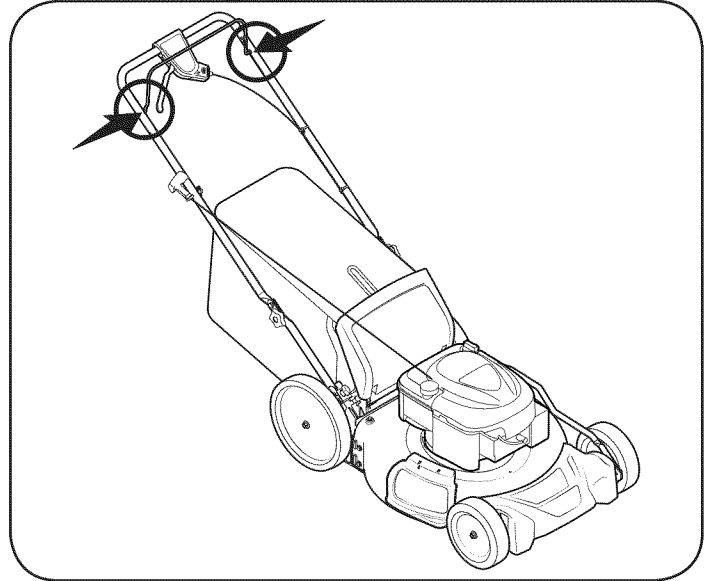


Figura 19

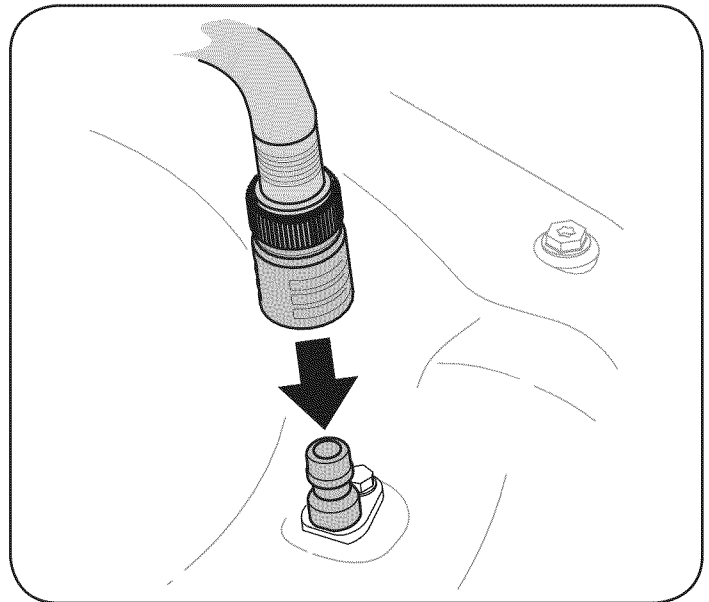


Figura 20

SERVICIO Y MANTENIMIENTO

Cuidado de la cuchilla

⚠ ADVERTENCIA

Cuando saque la cuchilla de corte para afilarla o reemplazarla, protéjase las manos usando un par de guantes para trabajo rudo o un trapo grueso para sostener la cuchilla.

Inspeccione periódicamente el adaptador de la cuchilla en busca de rajaduras, especialmente cuando golpee un objeto extraño. Realice los reemplazos que resulten necesarios. Siga los pasos que aparecen debajo para realizar el mantenimiento de la cuchilla.

1. Desconecte el capuchón del cable de la bujía. Gire la cortadora de césped sobre el costado y compruebe que el filtro de aire y el carburador queden mirando hacia arriba.
2. Saque el perno y el soporte de campana de la cuchilla que sostienen la cuchilla y el adaptador de la misma al cigüeñal del motor. Vea la Figura 21.
3. Saque la cuchilla y el adaptador del cigüeñal.

NOTA: Quitando estos artículos, la arandela también pueden liberarse de el cigüeñal. Está seguro para hacer la nota de la orientación de este artículo para nueva sesión.

⚠ ADVERTENCIA

Si la cuchilla está desequilibrada generará vibraciones excesivas cuando rote a altas velocidades. Puede producir daños a la cortadora de césped y se puede romper, causando así lesiones personales.

4. Saque la cuchilla del adaptador para comprobar el equilibrio. Balancee la cuchilla sobre un destornillador de eje redondo para inspeccionarla. Saque metal del lado pesado hasta que quede bien equilibrada. Cuando afile la cuchilla, siga el ángulo original de la muela como guía. Afíle cada borde de corte por igual para mantener el balance de la cuchilla.
5. Lubrique el cigüeñal del motor y la superficie interna del adaptador de la cuchilla con aceite ligero. Deslice el adaptador de la cuchilla sobre el cigüeñal del motor. Instale la cuchilla en el adaptador con el lado marcado "Bottom" (inferior) (o con el número de parte) hacia el piso cuando la cortadora de césped está en posición de funcionamiento. Asegúrese que la cuchilla quede alineada y asentada en las bridas del adaptador. Vea la Figura 21 inserto.

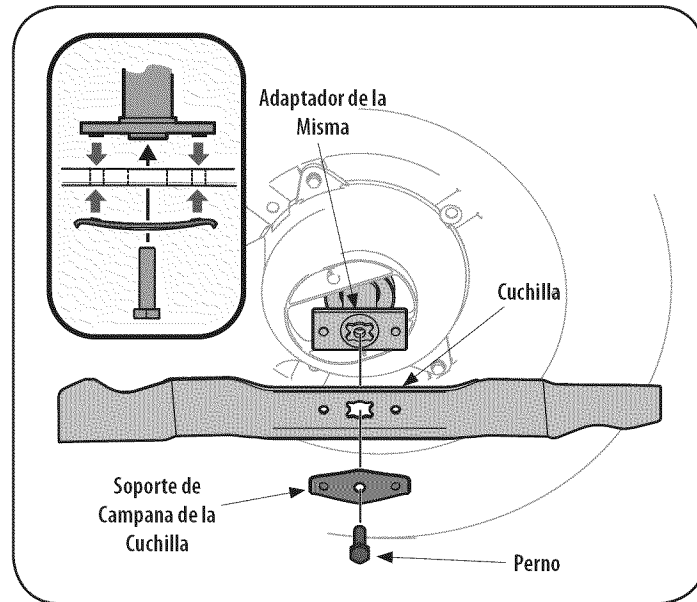


Figura 21

6. Coloque el soporte de campana de la cuchilla en la misma. Alinee las muescas del soporte de campana de la cuchilla con los orificios pequeños de la cuchilla.
7. Vuelva a colocar el perno hexagonal y ajústelo según los siguientes valores de torsión: 450 lb-pulg como mínimo, 600 lb-pulg como máximo.

Para garantizar la operación segura de la cortadora de césped, revise periódicamente el perno de la cuchilla para determinar si está bien ajustado.

Cuidado de la correa

NOTA: Para cambiar la correa de paseo de la cortadora de césped es necesario extraer varios componentes. Solicite a un centro autorizado de servicio Sears que realice el reemplazo de la correa.

ALMACENAMIENTO FUERA DE TEMPORADA

ADVERTENCIA

Nunca almacene la cortadora de césped con combustible en el tanque en un espacio cerrado o en áreas con poca ventilación, donde los gases del combustible puedan alcanzar el fuego, chispas o una luz piloto como la que tienen algunos hornos, calentadores de agua, secadores de ropa o algún otro dispositivo a gas.

Preparación del Motor

Ya que los motores almacenaron más de 30 días:

- Para impedir a la goma formarse en el sistema de combustible o en partes de carburador, dirijas el motor hasta que esto se pare a falta del combustible o añadir un aditivo de gasolina al gas en el tanque. Si usted usa un aditivo de gas, dirige el motor durante varios minutos para poner en circulación el aditivo por el carburador — después que el motor y el combustible pueden ser almacenados hasta 24 meses.
- Mientras el motor es todavía caliente, cambio el petróleo.
- Limpie el motor de escombros superficiales.

Preparación de la Cortadora de Césped

- Limpie y lubrique la cortadora como se describe en las instrucciones de lubricación.
- No utilice una lavadora a presión ni una manguera de jardín para limpiar su unidad.
- Cubra la cuchilla de la cortadora con grasa para chasis para impedir la oxidación.
- Refiérase a la Preparación del Motor para instrucciones de almacenaje de motor correctas.
- Almacene la unidad en una zona limpia y seca. No la almacene cerca de materiales corrosivos como por ejemplo fertilizantes.

Cuando almacene cualquier tipo de equipo motorizado en un galpón de depósito metálico o con poca ventilación, tenga especial cuidado de realizarle un tratamiento antioxidante al equipo. Use aceite ligero o silicona para recubrir el equipo, especialmente los cables y partes móviles de su cortadora antes de almacenarla.

SOLUCIÓN DE PROBLEMAS

⚠️ ADVERTENCIA

Antes de realizar cualquier tipo de mantenimiento/servicio, suelte todos los mandos y pare el motor. Espere hasta que todas las partes de movimiento hayan venido a una parada completa. Desconecte el alambre de bujía y béselo contra el motor para prevenir el comienzo involuntario. Siempre lleve puestos cristales inastillables durante la operación o realizando cualquier ajuste o reparaciones.

Esta sección se ocupa de cuestiones de menor importancia del servicio. Para localizar el más cercano Centro de Servicio Sears, o para programar un servicio, simplemente póngase en contacto con Sears al 1-800-4-MY-HOME®.

Problema	Causa	Solución
El motor no arranca	<ol style="list-style-type: none"> 1. Control de la cuchilla desenganchado. 2. Se ha desconectado el capuchón de la bujía. 3. El depósito de combustible está vacío o el combustible se ha echado a perder. 4. El motor no está cebado. (Si lo tiene) 5. La bujía no funciona correctamente. 6. El motor se desbordó. 7. Línea de combustible bloqueada. 	<ol style="list-style-type: none"> 1. Engrane el control de la cuchilla. 2. Conecte el cable al capuchón de la bujía. 3. Llene el tanque con gasolina limpia y nueva. 4. Ceba el motor tal como se explica en la sección de Funcionamiento. 5. Limpie, ajuste la separación, o cambie la bujía. 6. Esperar unos minutos para reactivarse, pero no cebe. 7. Contacte con su centro de partes y reparaciones Sears.
El motor funciona de manera errática	<ol style="list-style-type: none"> 1. El capuchón de la bujía está flojo. 2. El combustible se ha echado a perder. 3. La ventilación de la tapa del combustible está obstruida. 4. Agua o suciedad en el sistema del combustible. 5. El filtro de aire está sucio. 6. Línea de combustible bloqueada. 	<ol style="list-style-type: none"> 1. Conecte y ajuste el capuchón de la bujía. 2. Llene el tanque con gasolina limpia y nueva. 3. Destape la ventilación. 4. Vacíe el tanque de combustible. Cargue combustible nuevo en el depósito. 5. Consulte la sección Mantenimiento del manual. 6. Contacte con su centro de partes y reparaciones Sears.
El motor recalienta	<ol style="list-style-type: none"> 1. El nivel de aceite del motor está bajo. 2. Flujo de aire restringido. 	<ol style="list-style-type: none"> 1. Llene el motor con la cantidad y tipo de aceite adecuado. 2. Limpie los residuos de alrededor de las aletas de refrigeración del motor y del alojamiento del soplador.
El motor vacila a altas revoluciones	<ol style="list-style-type: none"> 1. Poca separación de los electrodos de la bujía. 	<ol style="list-style-type: none"> 1. Ajuste la separación. Consulte la sección Mantenimiento del manual.

¿NECESITA MÁS AYUDA?

Encontrará la respuesta y más en managemylife.com - ¡sin cargo!

En línea podrá encontrar este manual y los manuales de todos los otros productos que posea.

Sus preguntas serán respondidas por nuestro equipo de especialistas.

Obtenga un plan de mantenimiento personalizado para su hogar.

Encuentre información y herramientas que lo ayudarán con los proyectos de su hogar.



SOLUCIÓN DE PROBLEMAS

Problema	Causa	Solución
El motor funciona mal en marcha lenta	<ol style="list-style-type: none"> 1. Bujía atorada, averiada o exceso de separación. 2. El filtro de aire está sucio. 	<ol style="list-style-type: none"> 1. Limpie, reemplace o reajuste la separación. 2. Consulte la sección Mantenimiento del manual.
Demasiada vibración	<ol style="list-style-type: none"> 1. Cuchilla de corte floja o descentrada. 2. Cuchilla abollada. 	<ol style="list-style-type: none"> 1. Apriete la cuchilla y el adaptador Balancee la cuchilla. 2. Cambie la cuchilla.
La cortadora de césped no regresa el recorte de césped como abono	<ol style="list-style-type: none"> 1. Césped húmedo. 2. Césped demasiado alto. 3. La cuchilla de la cortadora no está afilada. 	<ol style="list-style-type: none"> 1. No corte el césped cuando esté mojado, espere hasta que sea más tarde para hacerlo. 2. Corte una vez a altura de corte elevada, luego vuelva a cortar a la altura deseada o haga un sendero de corte más angosto. 3. Afile o cambie la cuchilla.
Corte desigual	<ol style="list-style-type: none"> 1. La cuchilla de la cortadora no está afilada. 	<ol style="list-style-type: none"> 1. Afile o cambie la cuchilla.
La podadora no avanza por sí misma	<ol style="list-style-type: none"> 1. Correa mal instalada. 2. Hay desechos bloqueando el funcionamiento de la transmisión. 3. Correa dañada o desgastada. 4. Unidad de control de ajuste. 	<ol style="list-style-type: none"> 1. Compruebe la correa para ver si la polea está bien instalada y se mueve correctamente. 2. Detenga el motor, desconecte el cable de la bujía y limpie los desechos. 3. Inspeccione y cambie el perno. 4. Ajuste la unidad de control. Ver sección de Montaje.

¿NECESITA MÁS AYUDA?

Encontrará la respuesta y más en managemylife.com - ¡sin cargo!

En línea podrá encontrar este manual y los manuales de todos los otros productos que posea.

Sus preguntas serán respondidas por nuestro equipo de especialistas.

Obtenga un plan de mantenimiento personalizado para su hogar.

Encuentre información y herramientas que lo ayudarán con los proyectos de su hogar.



Sears Brands Management Corporation, el Consejo de Recursos Ambientales de California (CARB) y la Agencia de Protección Ambiental de los Estados Unidos (EPA) Declaración de garantía del sistema de control de emisiones (derechos y obligaciones de la garantía de defectos del propietario)

LA COBERTURA DE LA GARANTÍA DE CONTROL DE EMISIONES ES APLICABLE A LOS MOTORES CERTIFICADOS COMPRADOS EN CALIFORNIA EN 1995 Y POSTERIORMENTE QUE SE UTILIZAN EN CALIFORNIA, Y PARA LOS MODELOS CERTIFICADOS DEL AÑO 1997 Y POSTERIORES, QUE SE COMPREN

Y UTILICEN EN CUALQUIER PARTE DE LOS ESTADOS UNIDOS (Y A PARTIR DEL 1 DE ENERO DE 2001 EN CANADÁ).

Declaración de garantía sobre defectos en el control de emisiones para California y los Estados Unidos

El Consejo de Recursos Ambientales de California (CARB), la EPA (Agencia de Protección Ambiental de los EE.UU.) y Sears tienen el gusto de explicar la garantía del sistema de control de emisiones para motores del año 2000 y para el futuro con relación a motores pequeños todo terreno (SORE). En California, los nuevos motores pequeños todo terreno deben estar diseñados, contruidos y equipados para cumplir con las rigurosas normas anti-smog del estado. En el resto de los Estados Unidos, los motores nuevos todo terreno de encendido por chispa certificados para el año 1997 deben cumplir estándares similares establecidos por la EPA. Sears debe garantizar

el sistema de control de emisiones de su motor para los períodos de tiempo enumerados a continuación, siempre que no haya abuso, negligencia o mantenimiento indebido de su motor todo terreno pequeño. Su sistema de control de emisiones puede incluir piezas tales como el carburador, el filtro de aire, el sistema de encendido, el silenciador y el convertor catalítico. También puede incluir conectores y otras unidades relacionadas con las emisiones. Donde exista una condición cubierta por la garantía, Sears reparará su pequeño motor todo terreno sin costo alguno incluyendo diagnóstico, piezas y mano de obra

Cobertura de la garantía Sears para defectos en el control de emisiones

Los motores todo terreno pequeños están garantizados en lo relativo al control de emisiones para defectos en piezas durante un período de dos años, sujeto a las

disposiciones que se indiquen a continuación. Si una parte de su motor cubierta por la garantía es defectuosa, Sears reparará o sustituirá dicha parte.

Responsabilidades del propietario en relación con la garantía

Como propietario del motor todo terreno pequeño, Ud. es responsable de la realización del mantenimiento requerido que se incluye en las instrucciones de operación y mantenimiento. Sears recomienda que se conserven todos los recibos relativos al mantenimiento de su motor todo terreno pequeño, pero no puede denegar la garantía simplemente por la falta de los mismos, o por su incumplimiento del mantenimiento programado. Como propietario del motor pequeño todoterreno debe saber que, sin embargo, Sears le puede negar la cobertura de la garantía si su motor todoterreno pequeño o una pieza del mismo han fallado debido a abuso, negligencia, mantenimiento indebido o a modificaciones no aprobadas. Ud. es responsable de presentar su

motor todoterreno pequeño a un distribuidor de servicios Sears autorizado tan pronto como aparezca un problema. Las reparaciones de la garantía sin conflicto deben completarse en un plazo de tiempo razonable, no superior a 30 días. Si tiene alguna pregunta respecto a sus derechos y responsabilidades referentes a la garantía, debe contactar con un representante de servicios Sears al 1-800-469-4663. La garantía de emisiones es una garantía por defectos. Los defectos se juzgan de acuerdo con el funcionamiento normal de un motor. La garantía no está relacionada con una prueba de emisiones en uso.

Disposiciones de la garantía Sears para defectos en el control de emisiones

Las siguientes son disposiciones específicas relacionadas con la cobertura de la garantía para defectos en el control de emisiones. Es un añadido a la garantía de motor Sears para motores no regulados que se encuentra en las instrucciones de funcionamiento y mantenimiento.

1. Piezas con garantía

La cobertura de esta garantía se extiende únicamente a las piezas que aparecen a continuación (las partes de los sistemas de control de emisiones), siempre que dichas piezas estuvieran ya en el motor en el momento de su compra.

- a. Sistema de medición de combustible
 - Sistema de enriquecimiento para arranque en frío
 - Carburador y partes internas
 - Bomba de combustible
- b. Sistema de inducción de aire
 - Filtro de aire
 - Colector de admisión
- c. Sistema de encendido
 - Bujía(s) de encendido
 - Sistema de encendido magneto
- d. Sistema del catalizador
 - Convertidor catalítico
 - Colector de escape
 - Sistema de inyección de aire o válvula de impulsos
- e. Elementos variados usados en los sistemas anteriores
 - Válvulas de vacío, sensibles a temperatura, posición y tiempo e interruptores
 - Conectores y montajes

2. Alcance de la cobertura

Sears garantiza al poseedor inicial y a los compradores subsiguientes que las piezas con garantía no tendrán defectos en materiales ni mano de obra que provoquen la falla de las mismas durante un período de dos años a partir de la fecha en que el motor se entrega a un comprador particular.

3. Sin cargo

La reparación o reemplazo de cualquier parte con garantía se realizará sin cargo alguno para el poseedor, incluyendo tareas de diagnóstico que permitan determinar si una parte con garantía es defectuosa, siempre que dicho diagnóstico se realice en un distribuidor de servicios Sears autorizado. Para el servicio de la garantía de emisiones, contacte al distribuidor de servicios Sears autorizado más cercano incluido en las "Páginas amarillas" en las categorías "Motores, gasolina", "Motores de gasolina", "Podadoras de césped", o similares.

4. Reclamaciones y exclusiones a la cobertura

Las reclamaciones de la garantía deben enviarse de acuerdo con las disposiciones de la política de garantía para motores Sears. La cobertura de la garantía excluirá defectos en piezas con garantía que no sean partes originales Sears, o abuso, negligencia o mantenimiento incorrecto, tal y como se establece en la política de garantía para motores Sears. Sears no es responsable de las fallas en piezas con garantía provocadas por el uso de partes añadidas, que no sean originales o que se hayan modificado.

5. Mantenimiento

Cualquier parte con garantía que no esté programada para ser reemplazada como mantenimiento requerido, o que sólo deba inspeccionarse regularmente al efecto de "inspeccione o reemplace según sea necesario", estará garantizada contra defectos durante el período de la garantía. Todas las piezas garantizadas que estén programadas para su reemplazo para cumplir con los requisitos de mantenimiento estarán garantizadas sólo por el período anterior al primer reemplazo programado para dicha pieza. Cualquier pieza de reemplazo que sea equivalente en funcionamiento y durabilidad puede usarse para realizar mantenimiento o reparaciones. El propietario es responsable de realizar todo el mantenimiento requerido, tal y como se define en las instrucciones de funcionamiento y mantenimiento Sears

6. Cobertura indirecta

Por la presente, la cobertura se extiende a la falla de cualquier componente de motor provocada por la falla de una pieza con garantía que esté todavía en período de garantía.

En los Estados Unidos y Canadá hay una línea de atención de 24 horas, 1-800-469-4663, que cuenta con un menú con mensajes pre-grabados que contienen información para el mantenimiento de motores.

REPAIR PROTECTION AGREEMENT

Felicitaciones por haber realizado una adquisición inteligente. El producto Craftsman® que ha adquirido está diseñado y fabricado para brindar muchos años de funcionamiento confiable. Pero como todos los productos a veces puede requerir de reparaciones. Es en ese momento cuando el disponer de un Acuerdo de protección para reparaciones le puede ahorrar dinero y problemas.

A continuación se detallan los puntos incluidos en el Acuerdo:

- ☑ **Servicio experto** prestado por nuestros 10,000 especialistas en reparaciones profesionales
- ☑ **Servicio ilimitado sin cargo** para las piezas y la mano de obra en todas las reparaciones cubiertas
- ☑ **Reemplazo del producto** hasta 1500 dólares si no es posible reparar el producto cubierto
- ☑ **Descuento de 25%** del precio normal del servicio y de las piezas relacionadas con el mismo que no estén cubiertas por el acuerdo; además, 25% del precio normal de la verificación de mantenimiento preventivo
- ☑ **Ayuda rápida por teléfono** - lo llamamos Resolución Rápida – el apoyo telefónico de un Chamusca al representante. Piense en nosotros como el manual “de un dueño hablador.”

Una vez adquirido el Acuerdo, puede programar el servicio con tan sólo realizar una llamada telefónica. Puede llamar en cualquier momento del día o de la noche o programar un servicio en línea.

El Acuerdo de Protección de Reparación es una compra sin riesgo. Si usted anula por alguna razón durante el período de garantía de producto, proporcionaremos un reembolso lleno. O, un reembolso prorrateado en cualquier momento después del período de garantía de producto expira. ¡Adquiera hoy su acuerdo de protección para reparaciones!

Se aplican determinadas limitaciones y exclusiones. Para obtener información adicional y precios en los Estados Unidos llame al 1-800-827-6655.

El *Coverage en Canadá varía en algunos artículos. Para detalles llenos la llamada Chamusca Canadá en 1-800-361-6665.

Servicio de instalación de Sears

Si desea solicitar la instalación profesional de Sears de aparatos domésticos, dispositivos para abrir portones, calentadores de agua y otros artículos domésticos importantes, en los Estados Unidos o Canadá llame al **1-800-4-MY-HOME®**.

Get it fixed, at your home or ours!

Your Home

For troubleshooting, product manuals and expert advice:



www.managemylife.com

For repair – **in your home** – of **all** major brand appliances, lawn and garden equipment, or heating and cooling systems, **no matter who made it, no matter who sold it!**

For the replacement parts, accessories and owner's manuals that you need to do-it-yourself.

For Sears professional installation of home appliances and items like garage door openers and water heaters.

1-800-4-MY-HOME[®] (1-800-469-4663)

Call anytime, day or night (U.S.A. and Canada)

www.sears.com www.sears.ca

Our Home

For repair of carry-in items like vacuums, lawn equipment, and electronics, call anytime for the location of your nearest

Sears Parts & Repair Service Center

1-800-488-1222 (U.S.A.)

www.sears.com

1-800-469-4663 (Canada)

www.sears.ca

To purchase a protection agreement on a product serviced by Sears:

1-800-827-6655 (U.S.A.)

1-800-361-6665 (Canada)

Para pedir servicio de reparación a domicilio, y para ordenar piezas:

1-888-SU-HOGAR[®]

(1-888-784-6427)

www.sears.com

Au Canada pour service en français:

1-800-LE-FOYER^{MC}

(1-800-533-6937)

www.sears.ca

The Sears logo, consisting of the word "sears" in a lowercase, serif font.

® Registered Trademark / TM Trademark of KCD IP, LLC in the United States, or Sears Brands, LLC in other countries

® Marca Registrada / TM Marca de Fábrica de KCD IP, LLC en Estados Unidos, o Sears Brands, LLC in otros países

^{MC} Marque de commerce / ^{MD} Marque déposée de Sears Brands, LLC