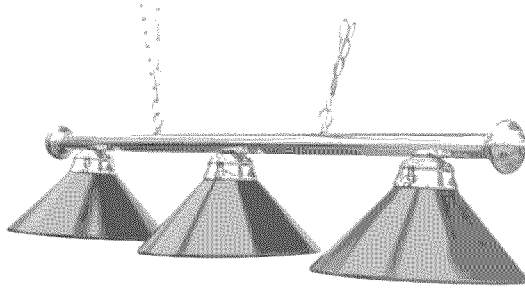


MODEL/MODELO: 39608/9



# ASSEMBLY INSTRUCTIONS

## INSTRUCCIONES DE ARMADO



*Please contact us before returning the product to the store.*

*Por favor póngase en contacto con nosotros antes de devolver el producto a la tienda.*

# LIMITED 90 DAYS WARRANTY

This product is covered by a limited warranty that is effective for 90 days from the date of purchase. If, during the limited warranty period, a part is found to be defective or breaks, we will offer replacement part at no cost to you, the customer. The only exceptions to the warranty include main frames, table tops, playing surfaces, batteries or tools.

The above warranty will not apply in cases of damages due to improper usage, alteration, misuse, abuse, accidental damage or neglect.

This Limited Warranty gives you specific legal rights and you may also have other rights which vary from one State (province) to another.

## **“PLEASE SAVE THESE INSTRUCTIONS AND PURCHASE RECEIPT!”**

A PURCHASE RECEIPT (or other proof of purchase date) will be required before any warranty service is initiated. All requests for warranty service, please feel free to contact our Consumer Service Department at :

**WEBSITE: [www.themdsports.com](http://www.themdsports.com)**

\*Please be aware of your product's Limited Warranty for the return/refund policy from the store, We, at Medal Sports, can not handle the product which is out of product's limited warranty since we only provide available parts.

\*Please note that all damaged table tops/playing surfaces need to be returned to the store.

## **PLEASE CONTACT US BEFORE RETURNING THE PRODUCT TO THE STORE.**

**Attention:** Since you build all tables upside down, please inspect table tops or playing surfaces right away before putting together.

**THANK YOU VERY MUCH!**

**IMPORTANT NOTICE!** Please contact us before returning the product to the store.

Please Keep Your Instructions! Your Model number is necessary should you need to contact us. Please read through this instruction manual book to familiarize yourself with all parts and assembly steps. Kindly refer to the parts list below and be sure that all parts have been included.

Although we are dedicated to giving our customers the best product possible, a question may arise or parts may be missing. If you are missing parts, or, if you have any questions, please contact our fast and friendly service centre on: [www.themdsports.com](http://www.themdsports.com)

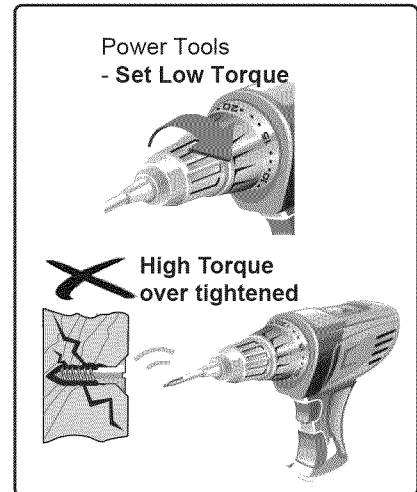
**TOOLS REQUIRED:**

Phillips Screwdriver - **Not Included**

Standard (Flat Head Screwdriver) - **Not Included**

Allen Wrench - **Included**

**CAUTION!** Electric Screwdrivers may be helpful during assembly; however, please set a low torque and use extreme caution.



**ASSEMBLY TIPS:**

- 1 - Please read the instructions carefully, and follow all assembly, operation or safety instructions properly in order to avoid damage or injury. For the assembly, at least four adults are required.
- 2 - Some figures or drawings may not look exactly like your product. Please read and understand the text before beginning each assembly step.

**NOTICE!**

- 1 - This product is intended for INDOOR use only.
- 2 - Please Do Not sit, climb or lean on the game table.
- 3 - Please Do Not drag the table when moving it in order to avoid the damaged on the legs.
- 4 - Please only use spray furniture polish to clean the exterior surfaces on the game table.
- 5 - This is not a child's toy, adult supervision is required for children playing this game.



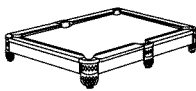

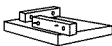





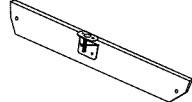

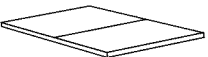



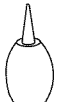


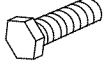

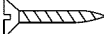
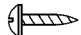
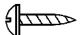
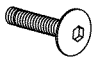


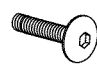
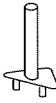

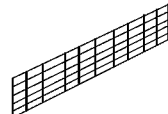

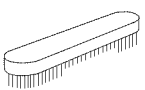
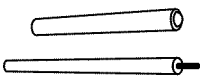
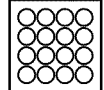
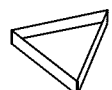
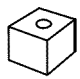

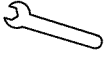



**WARNING:** Adult Assembly Required.



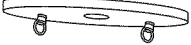
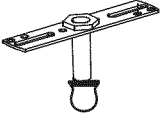




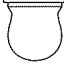

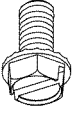

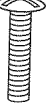
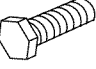

**WARNING:**

CHOKING HAZARD -- This item contains small parts or / and small balls. Not suitable for children under 3 years.

# 39608/9 PARTS LIST

<p><b>1</b></p>  <p>Main Frame 1 Piece</p>	<p><b>2</b></p>  <p>Leg 4 Pieces</p>	<p><b>3</b></p>  <p>Leg Top Board 4 Pieces</p>	<p><b>4</b></p>  <p>Side Top Board 2 Pieces</p>	<p><b>5</b></p>  <p>Lower Side Apron 2 Pieces</p>
<p><b>6</b></p>  <p>End Top Board 2 Pieces</p>	<p><b>7</b></p>  <p>Lower End Apron 2 Pieces</p>	<p><b>8</b></p>  <p>Apron Corner 4 Pieces</p>	<p><b>9</b></p>  <p>Support Board 2 Pieces</p>	<p><b>10</b> Pre-installed</p>  <p>Adjustable "L" Bracket 2 Sets</p>
<p><b>11</b></p>  <p>Table Tennis Top - A 2 Pieces</p>	<p><b>12</b></p>  <p>Table Tennis Top - B 1 Piece</p>	<p><b>13</b></p>  <p>Table Tennis Support 1 Pieces</p>	<p><b>14</b></p>  <p>"U" Plastic Bracket 4 Pieces</p>	<p><b>15</b></p>  <p>Glue 1 Bottle</p>
<p><b>16</b> Pre-installed</p>  <p>Corner Pocket 4 Pieces</p>	<p><b>17</b> Pre-installed</p>  <p>Side Pocket 2 Pieces</p>	<p><b>18</b></p>  <p>5/16" x 1-1/2" Bolt 16 Pieces</p>	<p><b>19</b></p>  <p>5/16" Washer 16 Pieces</p>	<p><b>20</b></p>  <p>F4 x 1-1/2" Screw 18 Pieces</p>
<p><b>21</b></p>  <p>T4 x 1/2" Screw 8 Pieces</p>	<p><b>22</b></p>  <p>T4 x 5/8" Screw 20 Pieces</p>	<p><b>23</b></p>  <p>1/4" x 1-1/2" Bolt 4 Pieces</p>	<p><b>24</b></p>  <p>1/4" Washer 4 Pieces</p>	<p><b>25</b></p>  <p>1/4" Nut 4 Pieces</p>
<p><b>26</b></p>  <p>1/4" x 1" Bolt 18 Pieces</p>	<p><b>27</b></p>  <p>Table Tennis Post 2 Pieces</p>	<p><b>28</b></p>  <p>Table Tennis Paddle 2 Pieces</p>	<p><b>29</b></p>  <p>Table Tennis Net 1 Piece</p>	<p><b>30</b></p>  <p>Table Tennis Ball 2 Pieces</p>
<p><b>31</b></p>  <p>Brush 1 Piece</p>	<p><b>32</b></p>  <p>57" Cue 2 Pieces</p>	<p><b>33</b></p>  <p>2-1/4" Billiard Ball 1 Set</p>	<p><b>34</b></p>  <p>2-1/4" Triangle 1 Piece</p>	<p><b>35</b></p>  <p>Chalk 2 Pieces</p>
<p><b>36</b></p>  <p>Shims 1 Set</p>	<p><b>37</b></p>  <p>Wrench 1 Piece</p>	<p><b>38</b></p>  <p>Allen Key 1 Piece</p>	<p><b>39</b> Pre-installed</p>  <p>5/16" Nut 16 Pieces</p>	<p><b>40</b></p>  <p>EVA Pad 12 Pieces</p>

# 39608/9 PARTS LIST

<p><b>41</b></p>  <p>Canopy 1 Piece</p>	<p><b>42</b></p>  <p>Mounting Strap with Extension Rod 1 Piece</p>	<p><b>43</b></p>  <p>Lampshade 3 Pieces</p>	<p><b>44</b></p>  <p>Lamp Chain 2 Pieces</p>	<p><b>45</b></p>  <p>Metal Bar with Wire 1 Piece</p>
<p><b>46</b> Pre-installed</p>  <p>Fixture Bushing 3 Pieces</p>	<p><b>47</b> Pre-installed</p>  <p>Knob 1 Piece</p>	<p><b>48</b></p>  <p>Wire Connector 2 Pieces</p>	<p><b>49</b> Pre-installed</p>  <p>Ground Bolt 1 Piece</p>	<p><b>50</b></p>  <p>Decorative Finial 2 Pieces</p>
<p><b>51</b> Pre-installed</p>  <p>3 x 18mm Bolt 2 Pieces</p>	<p><b>18-1</b></p>  <p>8 x 63.5mm Bolt 12 Pieces</p>	<p><b>19-1</b></p>  <p>8.5mm Washer 12 Pieces</p>		

## ⚠ WARNING!

To reduce the risk of electric shock and fire, be sure electricity has been turned off at the circuit breaker or fuse box before wiring.

## ⚠ CAUTION!

All wiring must conform to the National Electrical Code and local electrical codes. Electrical installation should be performed by a qualified licensed electrician. Use only Type "A" bulbs with this fixture, Max. 100W bulb.

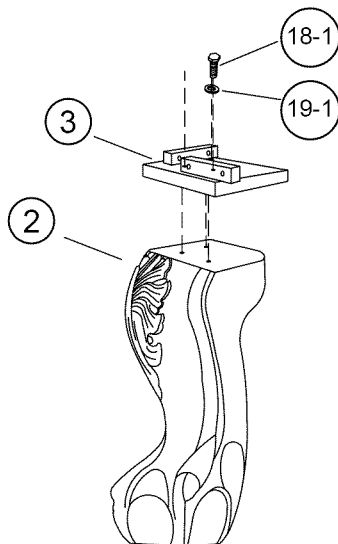
## ASSEMBLY INSTRUCTIONS

1. Find a clean, level place to begin the assembly of your Billiard Table. The table will be assembled upside down and then turned over on its legs once the assembly completed. This game table is heavy, and turning it over will require at least four strong adults.
2. Remove all the parts from the box and verify that you have all of the listed parts as shown on the parts list page. Carefully cut or tear the four corners of the box so that the bottom of the box can be used as your work surface.

**FIG.1**

3. Attach the Leg Top Boards (#3) to the Legs (#2) using three Bolts (#18-1) and three Washers (#19-1) per Leg Top Board.

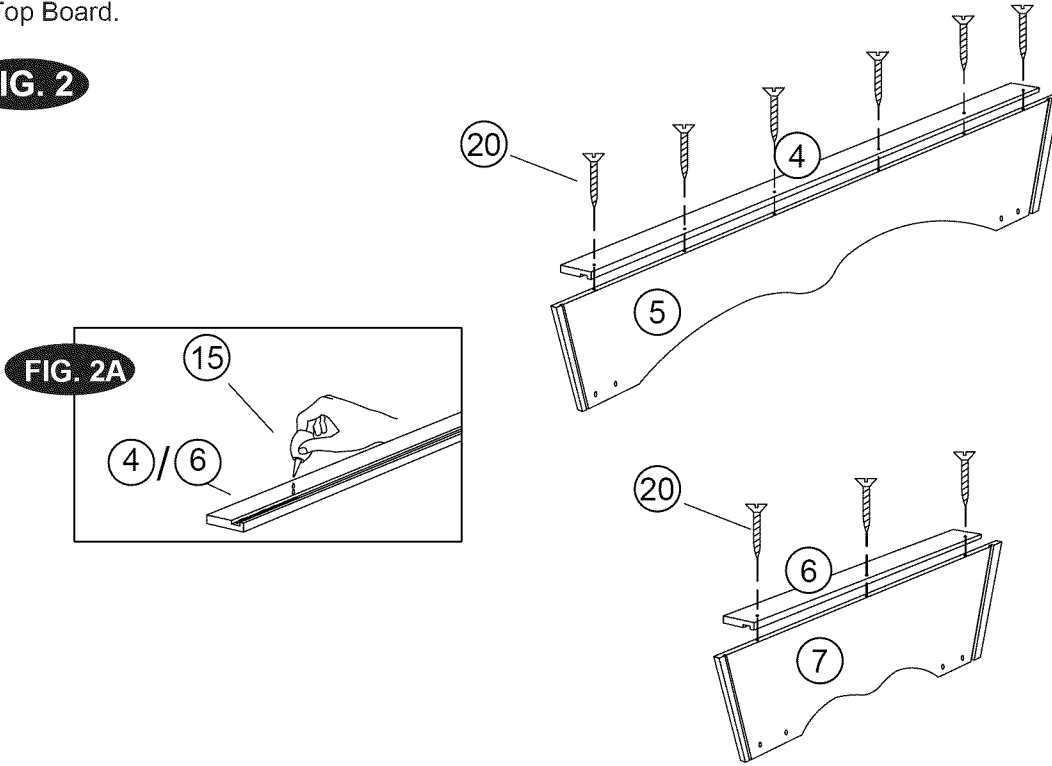
**FIG. 1**



**FIG.2**

4. Apply the Glue (#15) in the grooves of the Side and End Top Boards (#4 & #6). **See FIG.2A.**
5. Reverse the Side Top Boards (#4) and attach to the Lower Side Aprons (#5) using six Screws (#20) per Side Top Board.
6. Reverse the End Top Boards (#6) and attach to the Lower End Aprons (#7) using three Screws (#20) per End Top Board.

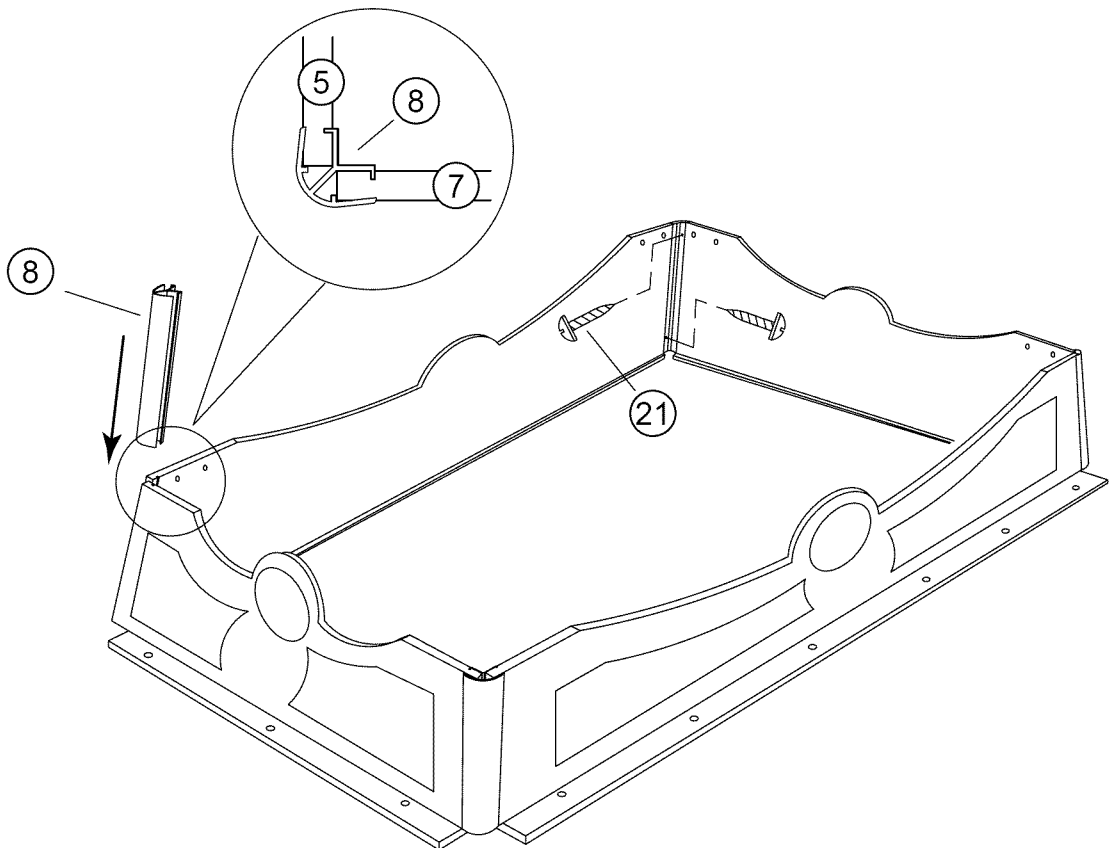
**FIG. 2**



**FIG.3**

7. Align the Lower Side and End Aprons with Top Boards (pre-assembled, See FIG.2) as shown in FIG.3. Slide the Apron Corners (#8) onto the Lower Side and End aprons (#5 & #7) and then attach it using two Screws (#21) per Apron Corner.

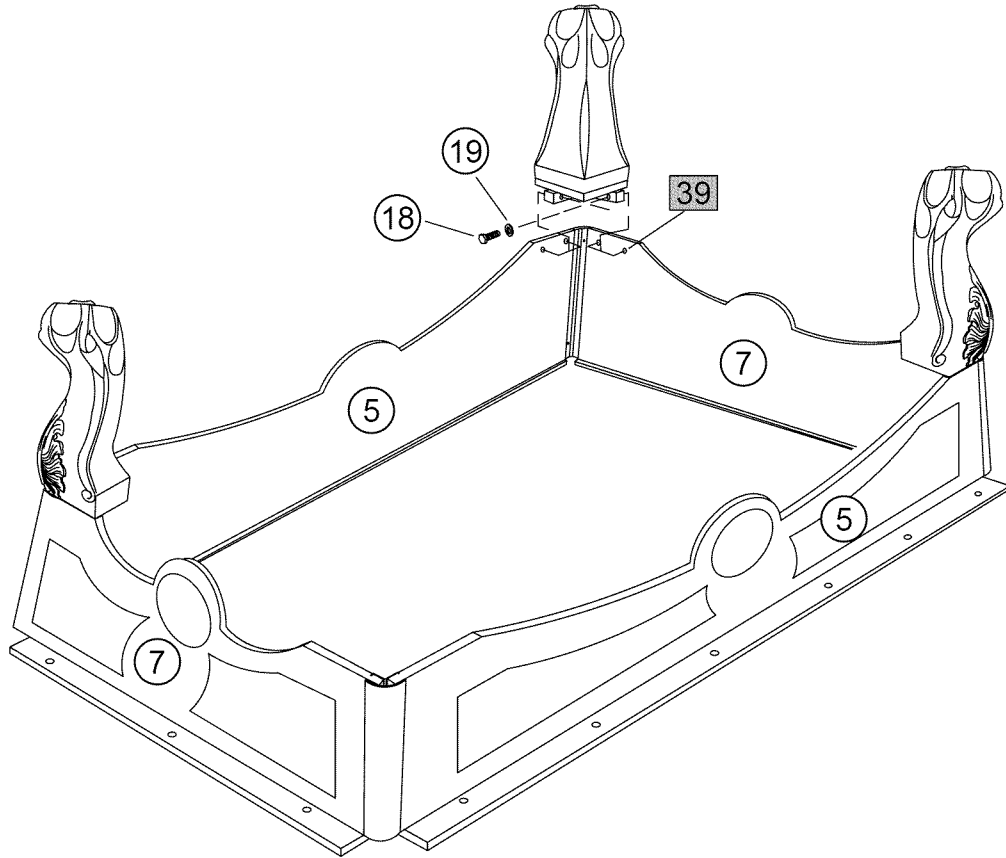
**FIG. 3**



**FIG.4**

8. Attach the Legs (pre-assembled) to the Lower Side and End Aprons (# 5 & #7) using four Bolts (#18) and four Washers (#19) per leg.

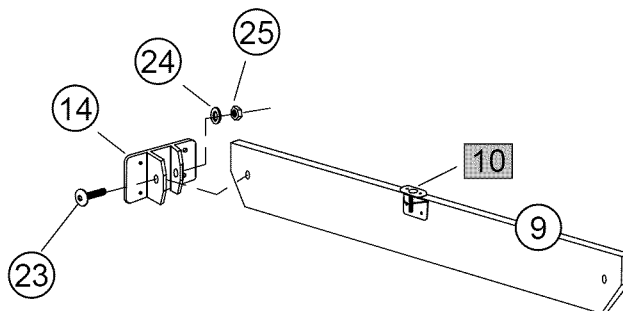
**FIG. 4**



**FIG.5**

9. Attach the "U" Plastic Brackets (#14) to the Support Boards (#9) using one Bolt (#23), one Washer (#24) and one Nut (#25) per "U" Bracket.

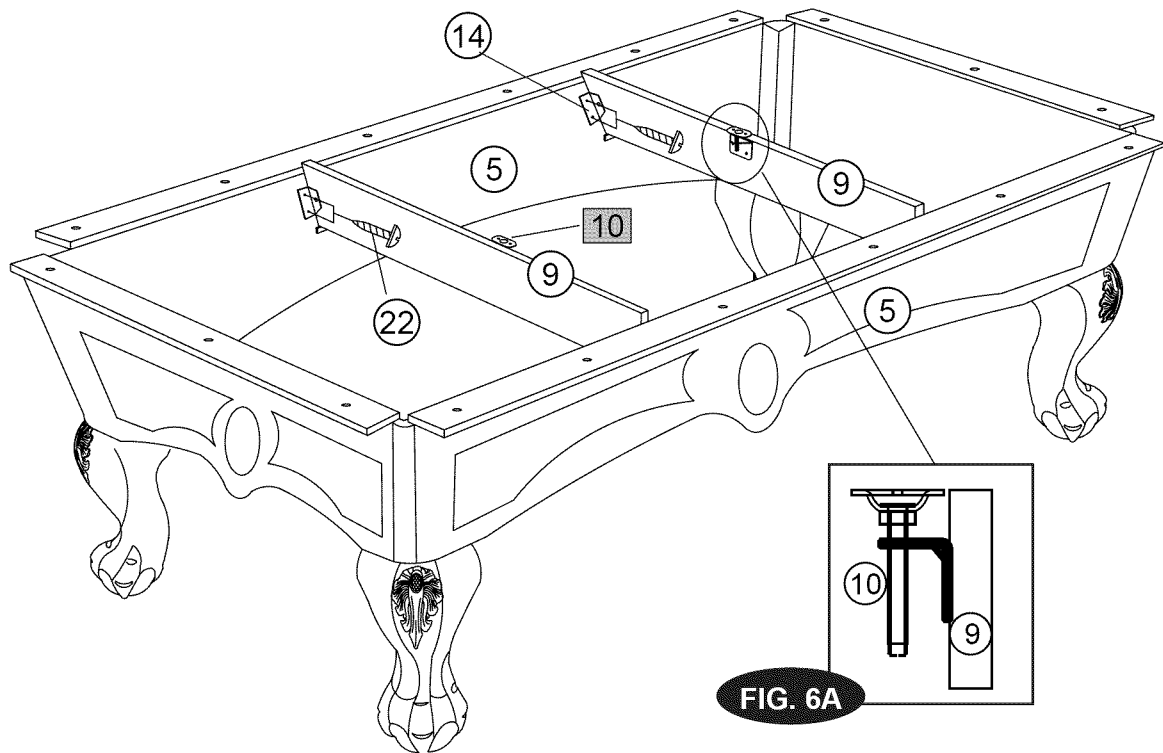
**FIG. 5**



## FIG.6

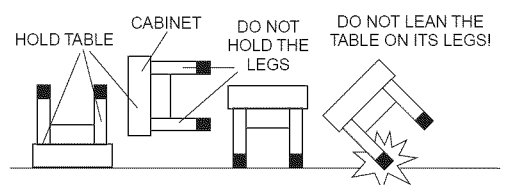
10. Lift the Lower Apron/Leg (pre-assembled, See FIG.4) from the floor with four strong adults, turn it over, and set table on its legs in the location where you play.
11. Place the Support Boards (#9) between the Lower Side Aprons (#5) as shown in FIG.6. Attach the "U" Brackets (#14) to the Lower Side Aprons (#5) using four Screws (#22) per "U" Bracket.  
**Please note that L Brackets (#10) & Support Board (#9) are parallel as shown in FIG. 6A.**

### FIG. 6



**CAUTION:** Four strong adults are recommended to turn the table over as shown.

1. Lift the table off the ground.
2. Turn the table over.
3. Place it on all four feet at the same time on the ground.



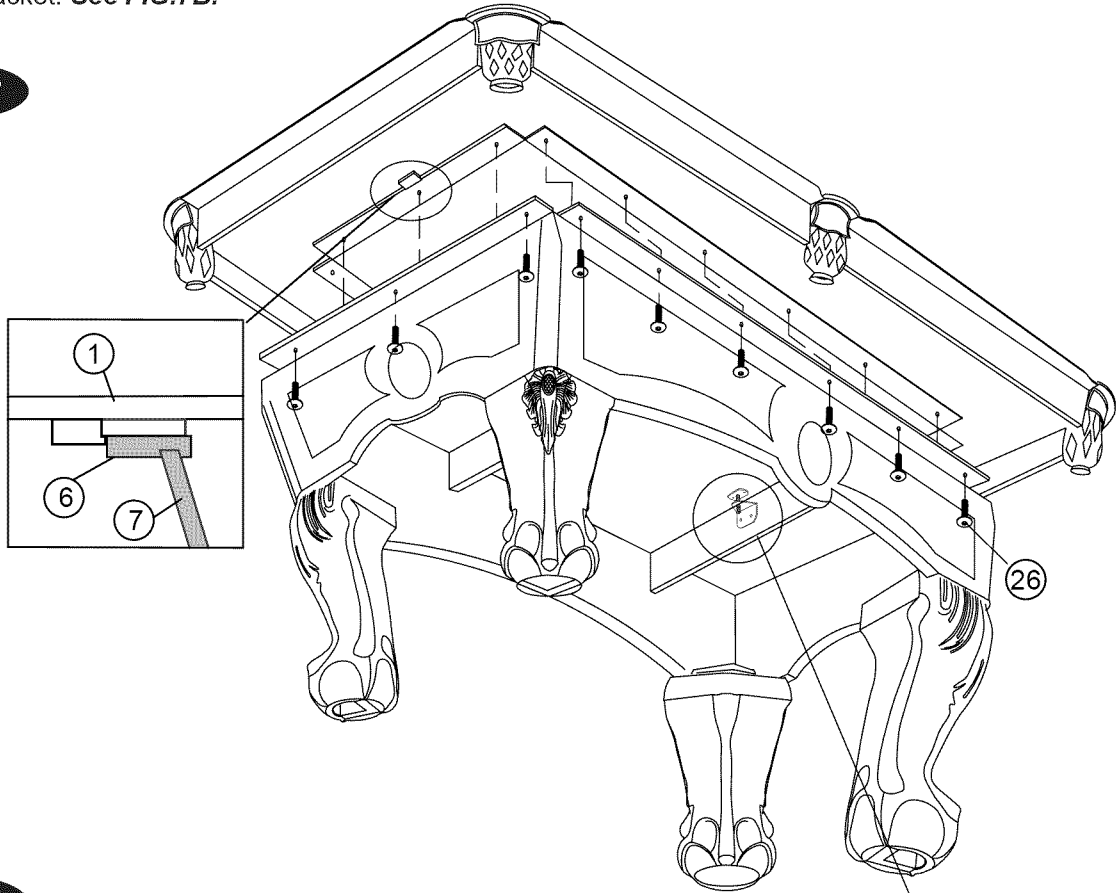


**FIG.7**

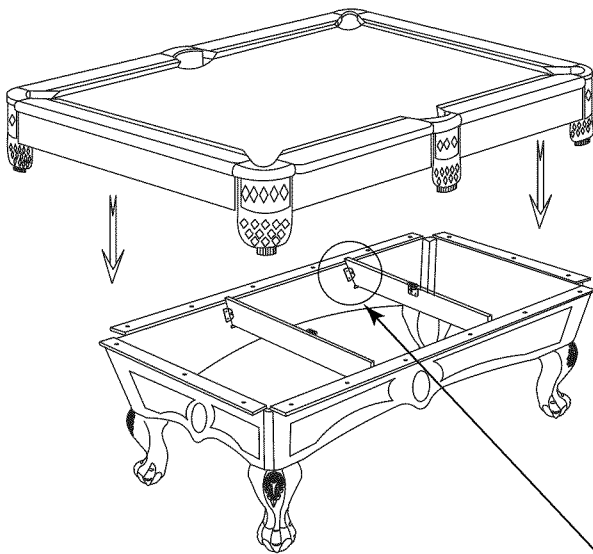
12. Place the Main Frame (#1) on the top of the pre-assembled Lower Table (See FIG.6). Underneath the Main Frame (#1), assemble the Main Frame (#1) to the Side & End Top Boards (#4 & #6) using eighteen bolts (#26). See FIG.7 & 7A.

13. Attach the Adjustable "L" Brackets (#10) to the backside of the Main Frame (#1) using two screws (#22) per "L" Bracket. See FIG.7B.

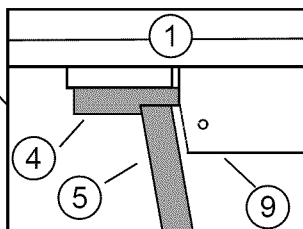
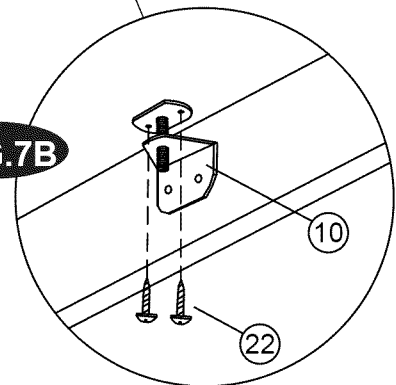
**FIG. 7**



**FIG.7A**



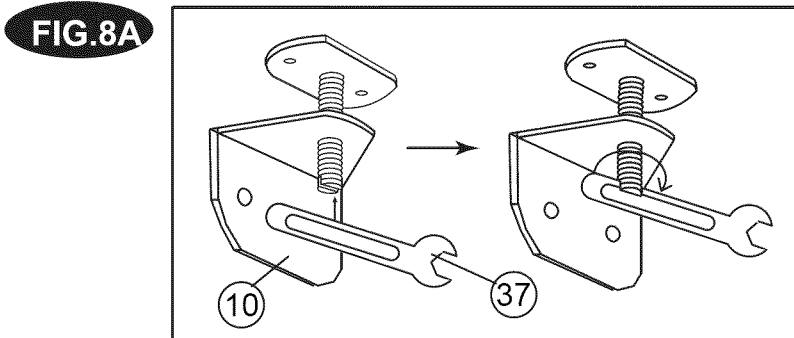
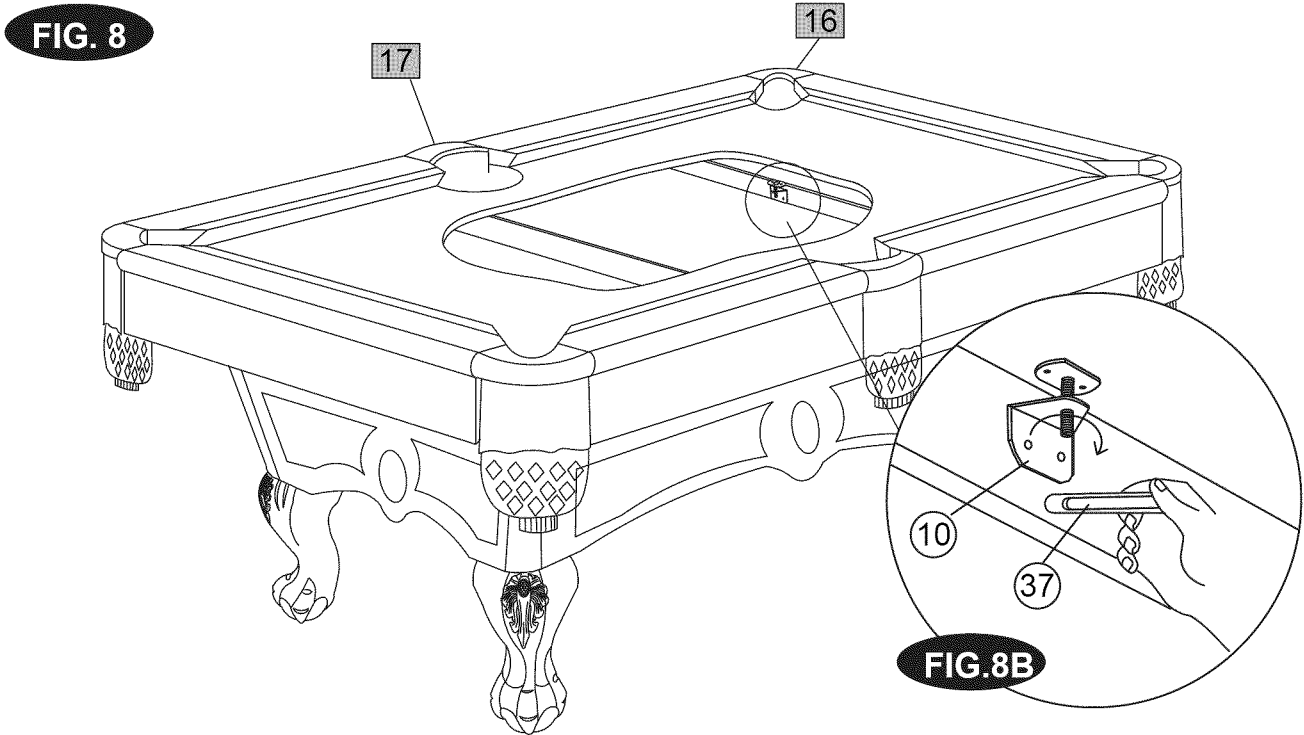
**FIG.7B**



**Go back and make sure that all connections are tight.**

**FIG.8**

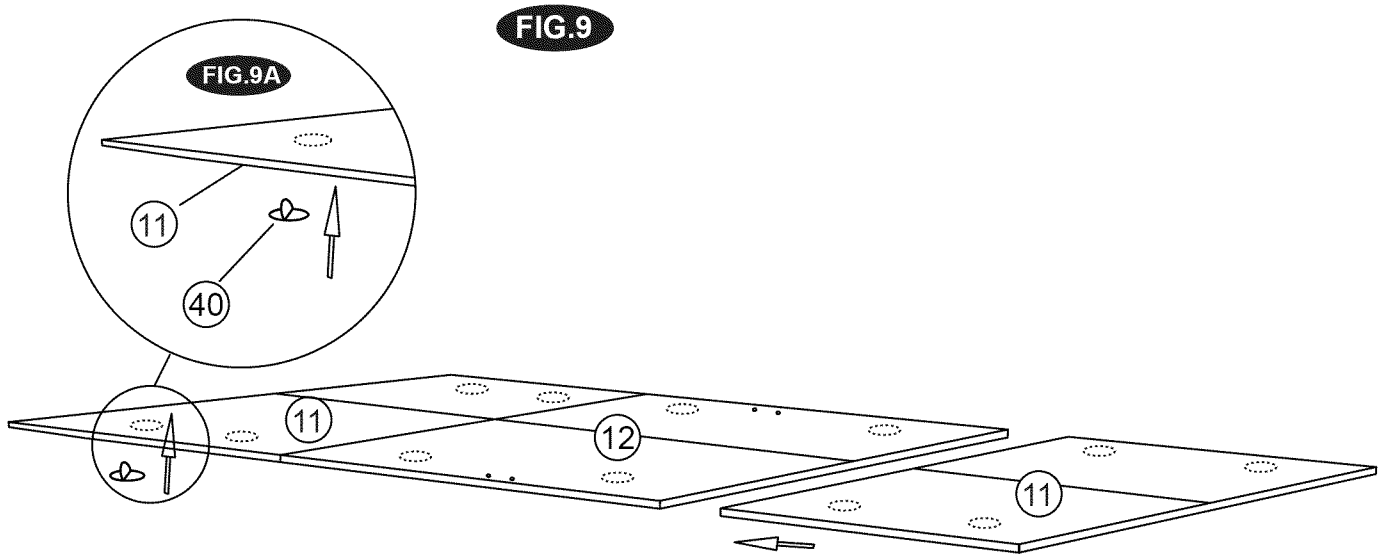
14. Under the Main Frame (#1), adjust the "L" Bracket (#10) in order to level the playfield of the Main Frame (#1).  
See FIG.8A &8B.



**NOTE: DO NOT lift the table by the pockets. If you move the table, do not lift it by placing your hands beneath the pockets and do not lean or put pressure on them. Do not lean or sit on the end or side rails as this may damage the table.**

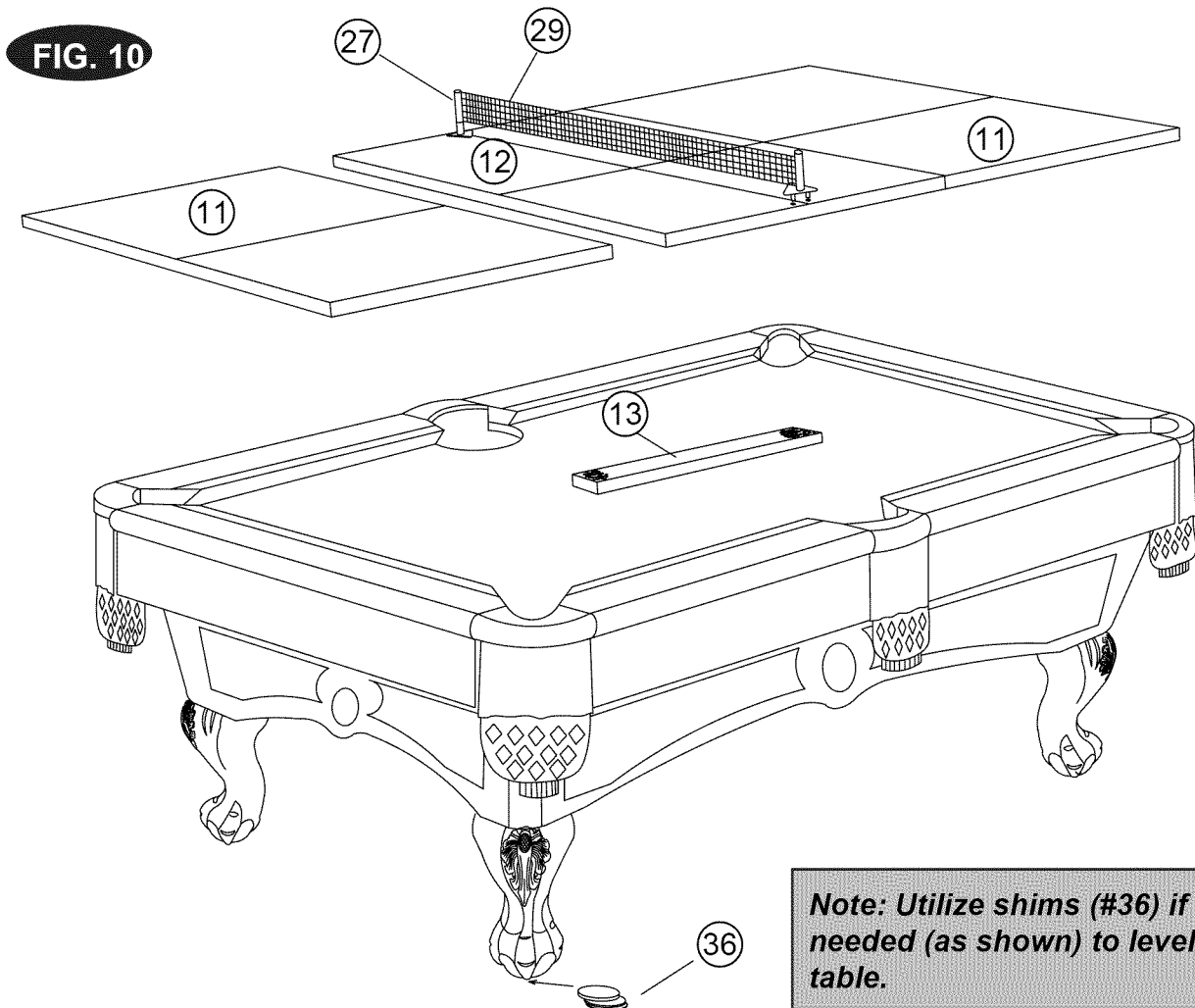
**FIG.9**

15. Tear off the backside paper of the EVA Pads (#40) and stick them at the bottom of the Table Tennis Tops (#11 and #12). See **FIG.9A**



**FIG.10**

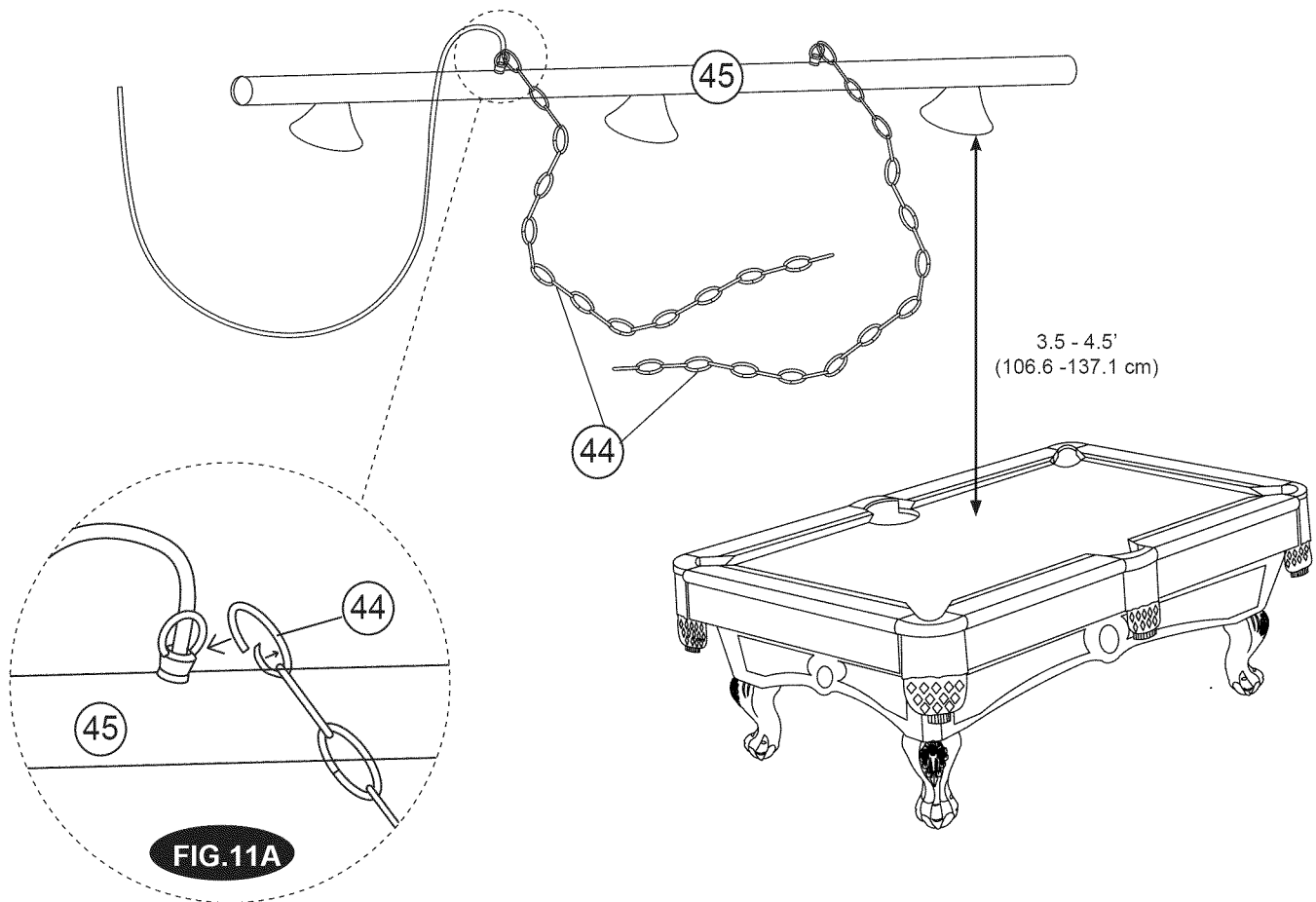
16. Place the Table Tennis Support (#13) on the playfield and place the Table Tennis Tops (#11 & #12) on the billiard surface. And then Insert the Net Posts (#27) and Net (#29) on the Table Tennis Top. See **FIG.10**.



## FIG.11

17. Open a link on each Lamp Chain (#44) using pliers (not included) and attach one Chain to each loop on the Metal Bar (#45). See FIG.11A.
18. Holding both Chains, determine the chain length needed and remove excess links. **Note:** Recommended suspension of the light fixture is 3.5-4.5 feet (1-1.3m) above the surface of the billiard table. Do not stand on the billiard table.

## FIG. 11

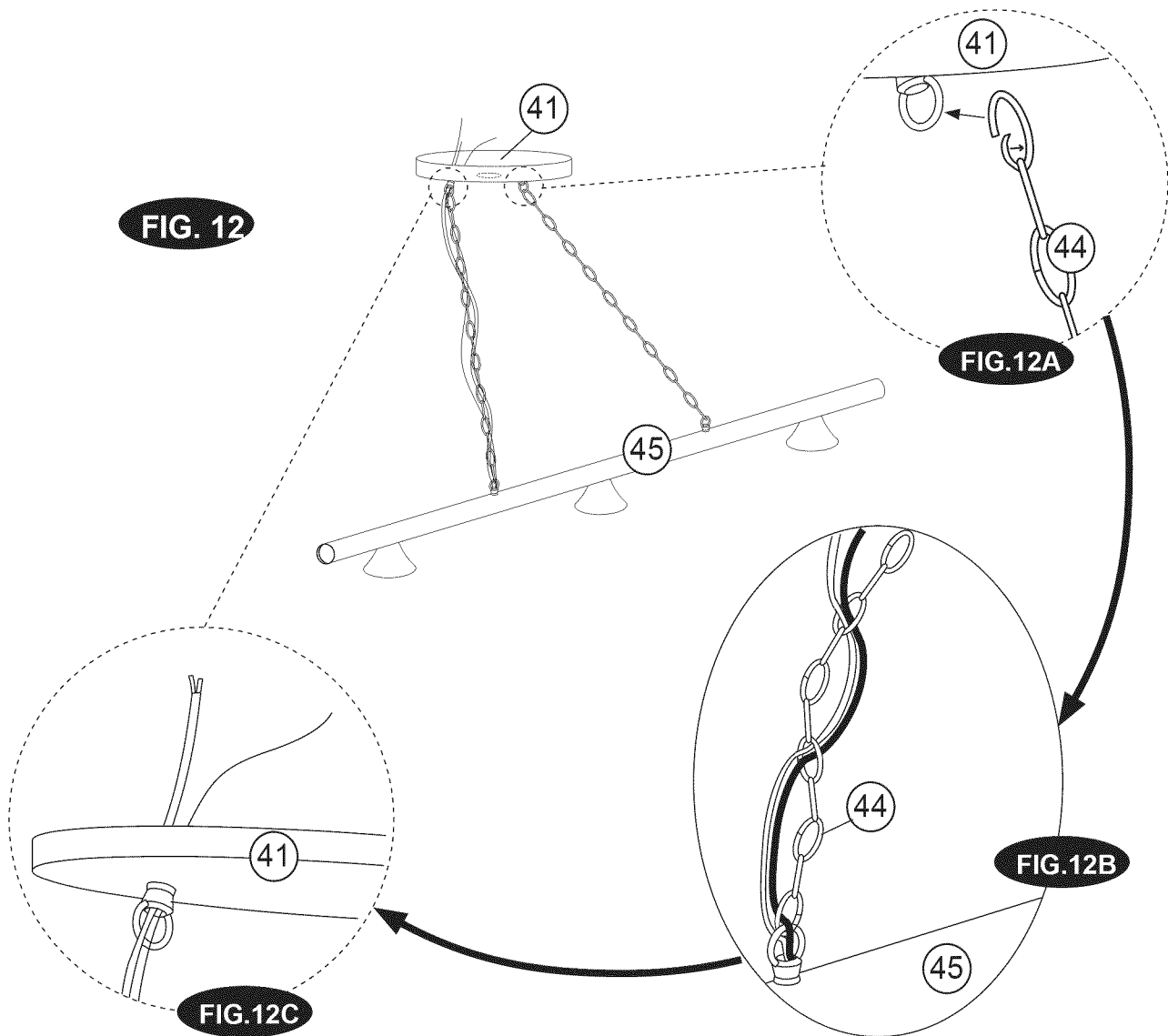


### IMPORTANT WARNING: FIRE HAZARD/ELECTRICAL SHOCK HAZARD EXIST!

- A. This fixture is intended for installation in accordance with the National Electrical Code and all applicable local and state building codes.
- B. This fixture should only be installed by qualified electrician; improper installation may result in FIRE HAZARD and/or ELECTRICAL SHOCK HAZARD!

**FIG.12**

19. Open a link at the other ends of each Chain (#44) using pliers (not included) and attach one Chain to each loop on the Canopy (#41). **See FIG.12A.**
20. Thread the wire and ground wire every 4 or 5 Chain links (#44). **See FIG.12B.**
21. Thread the wire and ground wire through one loop in Canopy (#41). **See FIG.12C.**

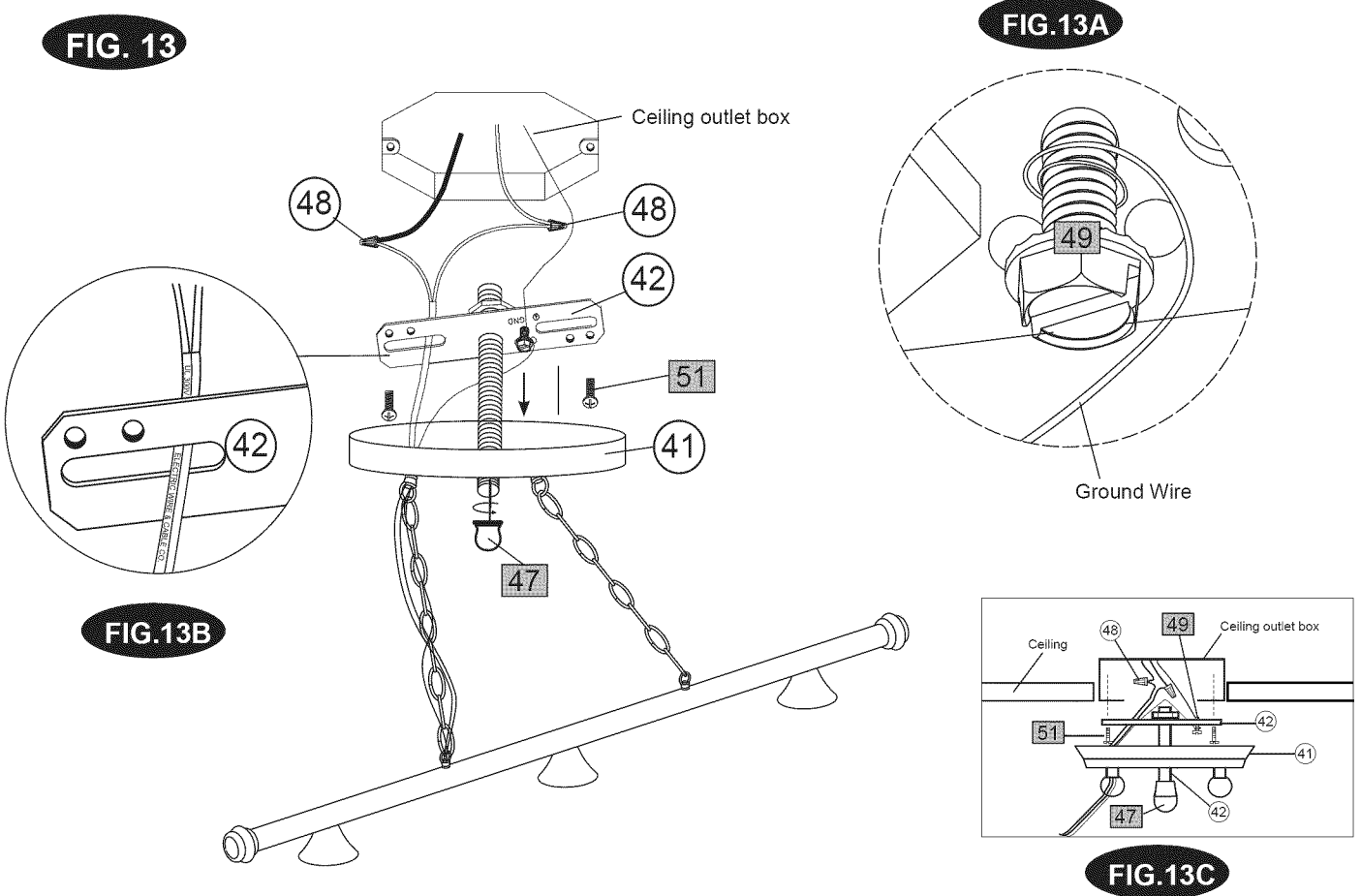


**FIG.13**

**Note:** This step requires at least one adult to hold the light fixture while another connects the wiring.

**Make sure that a UL listed ceiling box (not included) properly installed and able to support approx. 55lbs. (25K).**

- 22. Unscrew the Knob (#47) and the Bolt (#49) from the Mounting Strap (#42) and attach the Strap to the ceiling box using existing ceiling box screws or the Screws (#51) provided.
- 23. Wrap the ground wire around the Ground Bolt (#49) on the Mounting Strap (#42). **See FIG.13A.**
- 24. Connect the wires from the light fixture to the power supply using two Wire Connectors (#48). Note: The text side of the lighting wire should be attached to the hot (black) house wire. Push the wires into the ceiling box. **See FIG.13 & 13B.**
- 25. Place the Canopy (#41) onto the extension rod of the Mounting Strap (#42) and replace the Knob (#47).

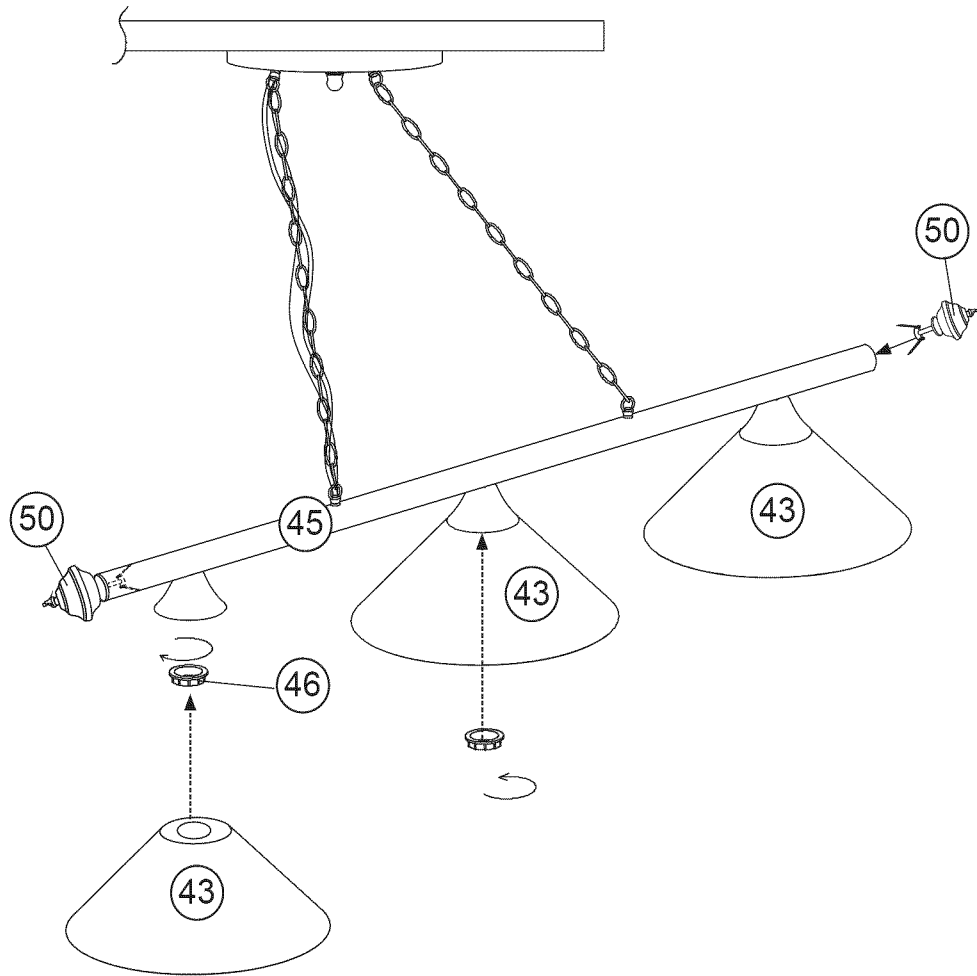


**WARNING:** To avoid risk of electrical shock, make sure to shut off the main power supply while installing or servicing this fixture. Only a qualified electrician should install this fixture.

## FIG.14

26. Unscrew the Fixture Bushings (#46) off the Metal Bar (#45).
27. Place the Lampshades (#43) onto the Metal Bar (#45) and replace the Fixture Bushings (#46).
28. Insert one Decorative Finial (#50) into each end of the Metal Bar (#45).
29. Use only type "A" bulbs (not included), 60 to 100 Watts (maximum) with this light fixture.

**FIG. 14**



**YOU ARE NOW READY TO PLAY!**

# **GARANTÍA LIMITA DE 90 DIAS**

Este producto está cubierto por una garantía efectiva de 90 días a partir de la fecha de su compra. Durante el período límite de la garantía, si una parte defectuosa o quebrada es encontrada, nosotros ofreceremos una reparación o un reemplazo de la parte sin ningún costo para ud, nuestro cliente. Las únicas excepciones de la garantía incluyen marcos principales, tableros de mesa, superficies, pilas o herramientas.

La susodicha garantía no se aplicará en los casos de daños y perjuicios debido al uso impropio, la alteración, el mal uso, el abuso, el daño accidental o la negligencia.

Esta garantía limitada le da a usted derechos legales específicos, usted también puede tener otros derechos que varían de un estado (provincia) a otro.

## **"POR FAVOR GUARDE ESTAS INSTRUCCIONES Y RECIBO DE LA COMPRA! "**

EL RECIBO DE LA COMPRA (o cualquier otra prueba de la fecha de su compra) sería requerida antes que cualquier servicio de garantía fuera iniciada. Toda solicitud para el servicio de garantía, por favor siéntase libre de ponerse en contacto con nuestro Departamento de Servicio de Consumidor en:

**WEBSITE: [www.themdsports.com](http://www.themdsports.com)**

\*Por favor tenga atención sobre el Límite de Garantía de su producto de la política de vuelta/reembolsa desde la tienda, Nosotros, Medal Sports, no podemos manejar el producto que está fuera del límite de garantía ya que proporcionamos solamente partes disponibles.

Por favor que tenga atención que todo tableros de mesa/superficies dañado tiene que ser devuelto a la tienda.

## **POR FAVOR PÓNGASE EN CONTACTO CON NOSOTROS ANTES DE DEVOLVER EL PRODUCTO A LA TIENDA.**

**Que tenga Atención:** Ya que usted construye todas las mesas al revés, por favor inspeccione las partes superiores de mesa o superficies de juego enseguida antes de poner juntos.

**MUCHAS GRACIAS!**



**¡Aviso Importante!** Por favor póngase en contacto con nosotros antes de devolver el producto a la tienda.

¡Por favor guarde las instrucciones! Es necesario el número de modelo para contactarse con nosotros. Por favor léa las instrucciones para poder familiarizarse con las piezas y los pasos para ensamblar. Corrobore que todas las piezas que aparecen en el "Lista de Partes" se encuentren en el paquete.

A pesar de que nos dedicamos a dar los mejores productos posibles para nuestros clientes, pueden ocurrir problemas o faltar piezas. Si le faltan piezas ó si tiene alguna inquietud, por favor contáctenos lo antes posible a nuestro cordial centro de atención: [www.themdsports.com](http://www.themdsports.com)

## Herramientas Necesarias:

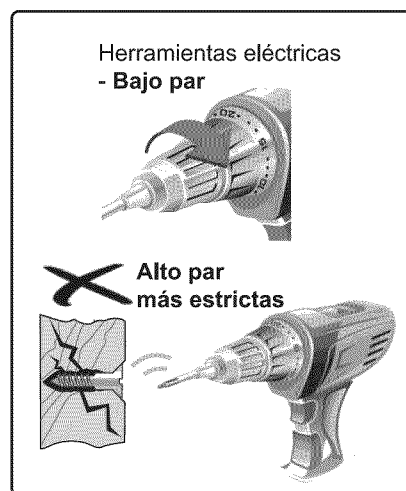
Destornillador Phillips - **No incluido**

Destornillador de Cabeza Plana - **No incluido**

Llave Allen - **Incluido**

Los destornilladores eléctricos pueden ser de gran ayuda durante el ensamblado; sin embargo, por favor ajuste el par de giro bajo y sea extremadamente precavido.

### PRECAUCIÓN!



## CONSEJOS PARA EL ENSAMBLADO:

1. Por favor lea las instrucciones con cuidado y siga todo durante el montaje, la operación o instrucciones de seguridad correctamente para evitar el daño o la herida. Para el montaje, por lo menos se requieren cuatro adultos.
2. Algunas figuras o dibujos podrían parecer no estén exactamente como su producto. Por favor lea y entienda el texto antes de iniciar cada paso del montaje.

## AVISO!

1. Este producto está destinado para el uso INTERIOR solamente.
2. Por favor No sientes, subas o inclínes la mesa de juego.
3. Por favor No arrastres la mesa cuando está en movimiento para evitar el daño sobre las piernas.
4. Por favor use sólo la cera spray de muebles para limpiar las superficies exteriores sobre la mesa de juego.
5. Esto no es un juguete de niños, se requieren la supervisión adulta para niños cuando está jugando este juego.



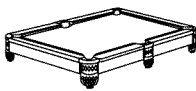

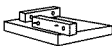





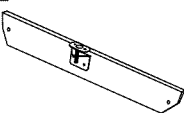

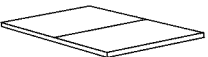

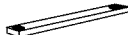

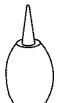


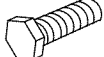

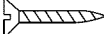
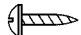
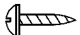
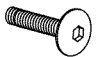


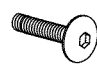
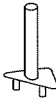

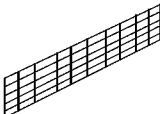

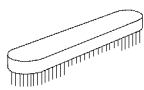
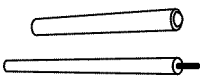
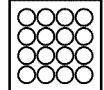

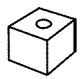

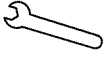



**ADVERTENCIA:** Las tareas de montaje debe realizarlas un adulto.



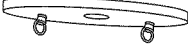
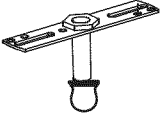
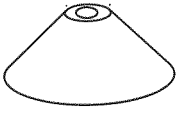

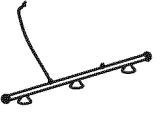
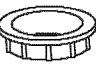
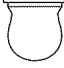

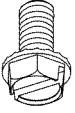

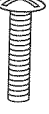
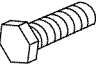
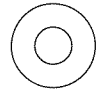
**ADVERTENCIA:**

PELIGRO DE ASFIXIO - - Este artículo contiene piezas pequeñas y / o pequeñas bolas. No apto para menores de 3 años.

# 39608/9 LISTA DE PARTES

1  Marco Principal 1 Piezas	2  Pierna 4 Piezas	3  Tablero Superior de Pierna 4 Piezas	4  Tablero Superior Lateral 2 Piezas	5  Delantal Lateral Inferior 2 Piezas
6  Tablero Superior Final 2 Piezas	7  Delantal Final Inferior 2 Piezas	8  Delantales de Rincón 4 Piezas	9  Tablero de Soporte 2 Piezas	10 Pre-instalado  Corchete "L" Regulable 2 Juegos
11  Parte Superior de Tenis de Mesa-A 2 Piezas	12  Parte Superior de Tenis de Mesa-B 1 Pieza	13  Soporte de Tenis de Mesa 1 Pieza	14  Corchete Plástico "U" 4 Piezas	15  Pegamento 1 Botella
16 Pre-instalado  Tronera de Rincón 4 Piezas	17 Pre-instalado  Tronera Lateral 2 Piezas	18  Cerrojo 5/16" x 1-1/2" 16 Piezas	19  Arandela 5/16" 16 Piezas	20  Tornillo F4 x 1-1/2" 18 Piezas
21  Tornillo T4 x 1/2" 8 Piezas	22  Tornillo T4 x 5/8" 20 Piezas	23  Cerrojo 1/4"x1-1/2" 4 Piezas	24  Arandela 1/4" 4 Piezas	25  Tuerca 1/4" 4 Piezas
26  Cerrojo 1/4"x1" 18 Piezas	27  Poste de Tenis de Mesa 2 Piezas	28  Paleta de Tenis de Mesa 2 Piezas	29  Red de Tenis de Mesa 1 Pieza	30  Bola de Tenis de Mesa 2 Piezas
31  Cepillo 1 Pieza	32  Taco 57" 2 Piezas	33  Bola de Billar 2-1/4" 1 Juego	34  Triángulo 2-1/4" 1 Pieza	35  Tiza 2 Piezas
36  Shim 1 Juego	37  Llave Inglesa 1 Pieza	38  Llave Allen 1 Pieza	39 Pre-instalado  Tuerca 5/16" 16 Piezas	40  Almohadilla EVA 12 Piezas

# 39608/9 LISTA DE PARTES

<p><b>41</b></p>  <p>Dosel 1 Pieza</p>	<p><b>42</b></p>  <p>Correa de Marco con Barra de Extensión 1 Pieza</p>	<p><b>43</b></p>  <p>Pantalla 3 Piezas</p>	<p><b>44</b></p>  <p>Cadena de Lámpara 2 Piezas</p>	<p><b>45</b></p>  <p>Barra Metálica con Cable 1 Pieza</p>
<p><b>46</b> Pre-instalado</p>  <p>Cojinete de Adorno 3 Piezas</p>	<p><b>47</b> Pre-instalado</p>  <p>Perilla 1 Pieza</p>	<p><b>48</b></p>  <p>Conector de Cable 2 Piezas</p>	<p><b>49</b> Pre-instalado</p>  <p>Cerrojo de Suelo 1 Pieza</p>	<p><b>50</b></p>  <p>Finial Decorativo 2 Piezas</p>
<p><b>51</b> Pre-instalado</p>  <p>Cerrojo 3x18mm 2 Piezas</p>	<p><b>18-1</b></p>  <p>Cerrojo 8x63.5mm 12 Piezas</p>	<p><b>19-1</b></p>  <p>Arandela 8.5mm 12 Piezas</p>		



## ADVERDENCIA!

Para reducir el riesgo de choque eléctrico y fuego, esté seguro que ha sido apagado el disyuntor de circuito o la caja de fusibles antes de la instalación eléctrica.



## PRECAUCION!

Toda la instalación eléctrica debe conformar con el Código Eléctrico Nacional y códigos eléctricos locales. La instalación eléctrica debería ser realizada por un electricista calificado autorizado. Use solamente bulbos de Tipo "A" con este adorno, máximo de 100W.

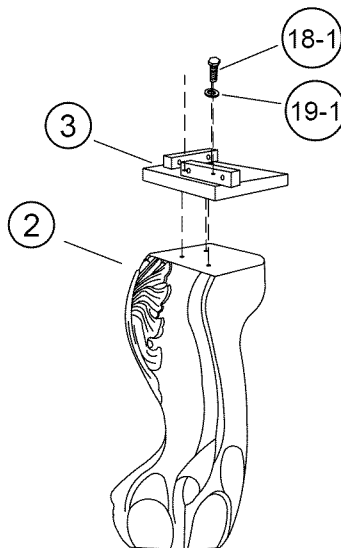
## INSTRUCCION DE MONTAJE

- Encuentre un lugar limpio, plano para comenzar el montaje de su Mesa de Billar. La mesa será montada al revés y luego voltee sobre sus piernas una vez completado el montaje. Esta mesa de juego es pesada y requerirá por lo menos cuatro adultos fuertes para el volteo.
- Quite todas las partes desde la caja y verifique que están todas las partes catalogadas como mostrado en la página de lista de partes. Con cuidado el corte o el rasgón de las cuatro rincones de la caja de modo que el inferior de la caja pueda ser usado como su superficie de trabajo.

### FIG.1

- Adjunte los Tableros Superior de Pierna (#3) a las Piernas (#2) usando 3 Cerrojos (#18-1) y 3 Arandelas (#19-1) por Tablero Superior de Pierna.

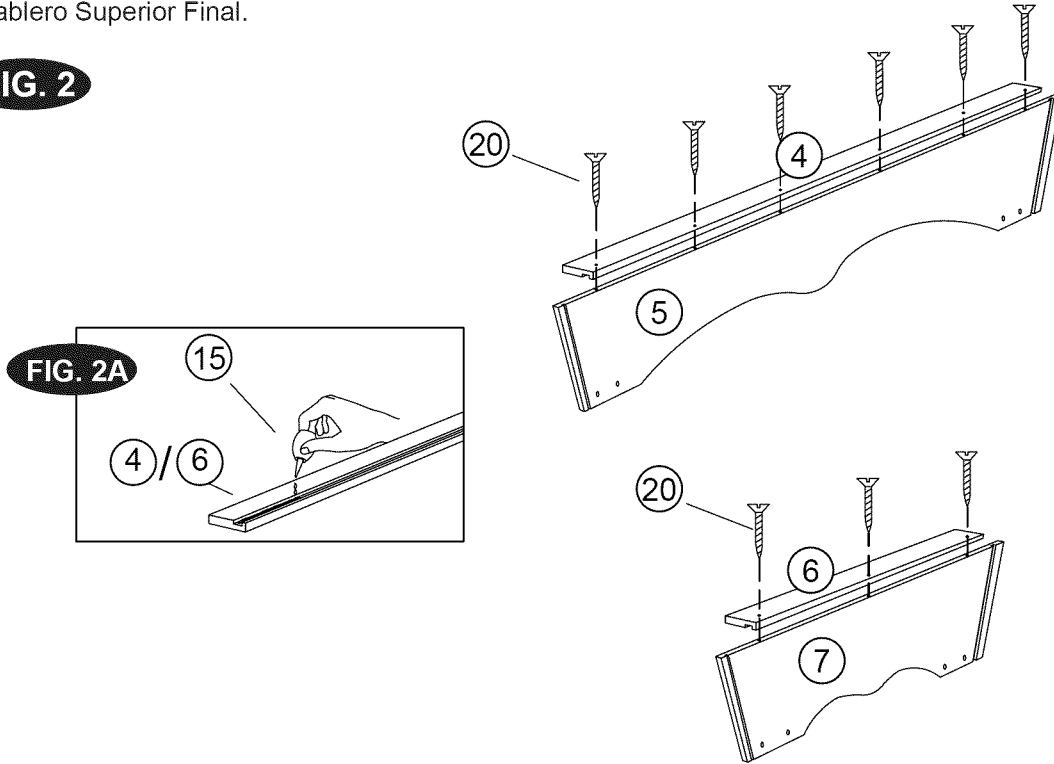
**FIG. 1**



## FIG.2

4. Aplique el Pegamento (#15) a las muescas de Tableros Superior Lateral y Final (#4 & #6). **Vea la FIG. 2A.**
5. Invierta los Tableros Superior Lateral (#4) y adjunte a los Delantales Lateral Inferior (#5) usando 6 Tornillos (#20) por Tablero Superior Lateral.
6. Invierta los Tableros Superior Final (#6) y adjunte a los Delantales Final Inferior (#7) usando 3 Tornillos (#20) por Tablero Superior Final.

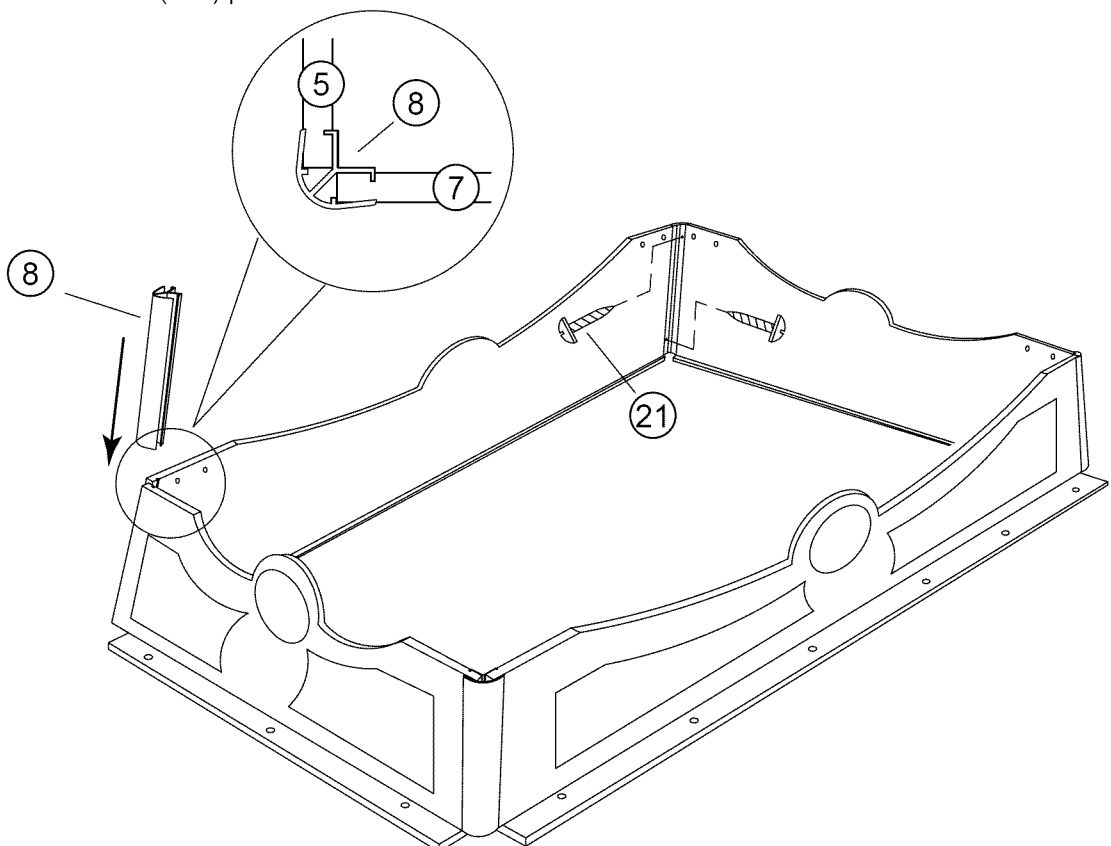
### FIG. 2



## FIG.3

7. Alinee el Lado Inferior y Delantal Final con Tableros Superior (pre-montado, Vea la FIG.2.) como mostrado en la FIG.3. Deslice los Delantales de Rincón (#8) sobre los Delantales Final y Lateral Inferior (#5 & #7) y luego lo adjunte usando 2 Tornillos (#21) por Delantal de Rincón.

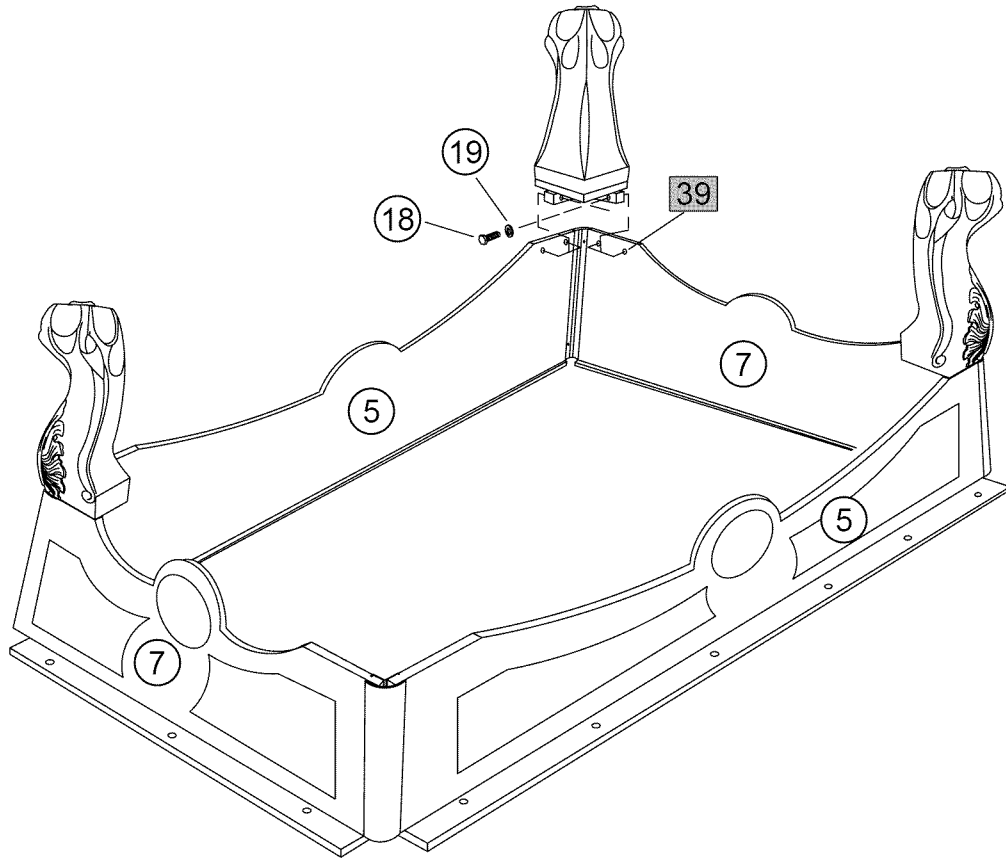
### FIG. 3



**FIG.4**

8. Adjunte las Piernas (pre-instalado) a los Delantales Final y Lateral Inferior (#5 & #7) usando 4 Cerrojos (#18) y 4 Arandelas (#19) por Pierna.22

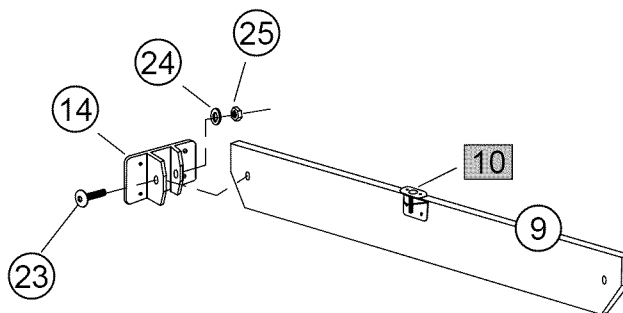
**FIG. 4**



**FIG.5**

9. Adjunte los Corchetes Plástico "U" (#14) a los Tableros de Soporte (#9) usando 1 Cerrojo (#23), 1 Arandela (#24) y 1 Tuerca (#25) por Corchete "U".

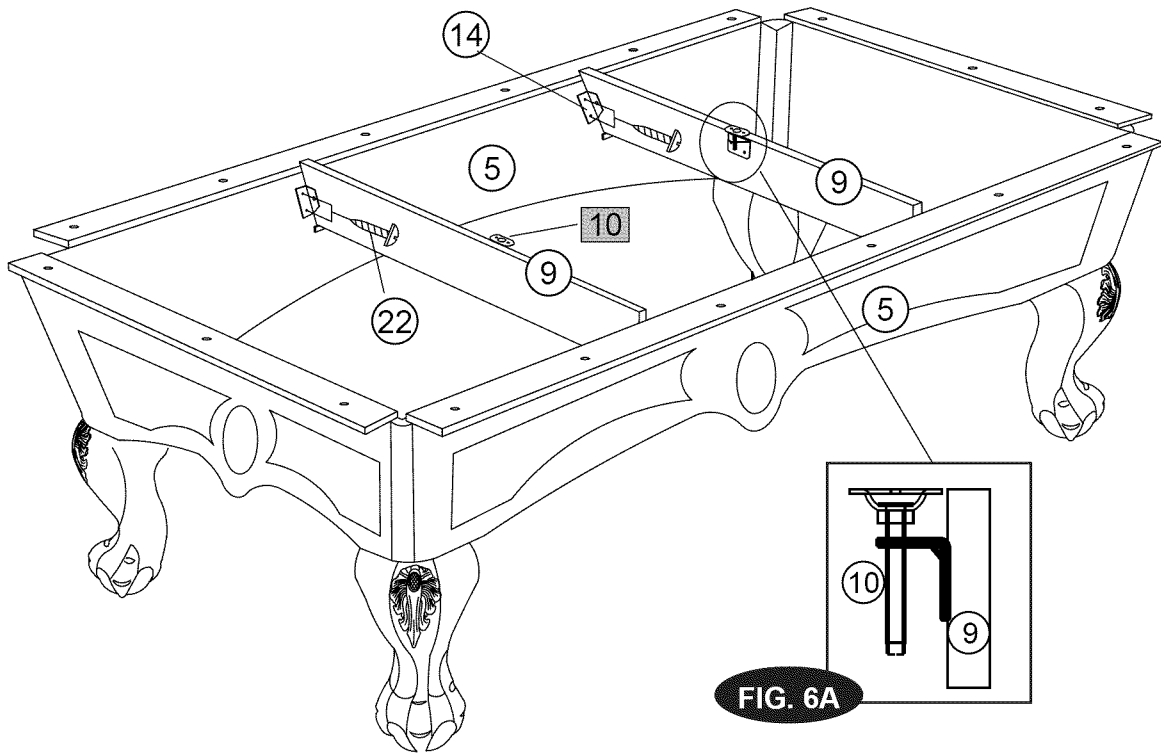
**FIG. 5**



## FIG.6

10. Levante los Delantales Inferior/Pierna (pre-montado, Vea la FIG. 4) desde el piso con cuatro adultos fuertes, la voltee y ponga la mesa sobre sus piernas en la posición donde usted juega.
11. Coloque los Tableros de Soporte (#9) entre los Delantales Lateral Inferior (#5) como mostrado en la FIG.6. Adjunte los Corchetes "U" (#14) a los Delantales Lateral Inferior (#5) usando 4 Tornillos (#22) por Corchete "U". **Que tenga atención que los Corchetes "L" (#10) & el Tablero de Soporte (#9) son paralelo como mostrado en la FIG. 6A.**

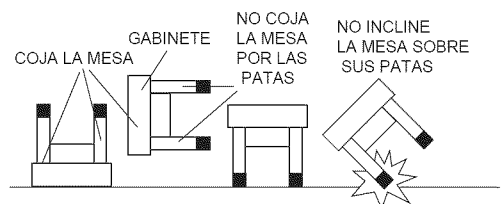
## FIG. 6



### Advertencia:

Se recomienda que cuatro adultos fuertes le den la vuelta a la mesa como se muestra.

1. Levante la mesa del suelo.
2. Dele la vuelta a la mesa.
3. Póngala sobre las cuatro pastas al mismo tiempo.

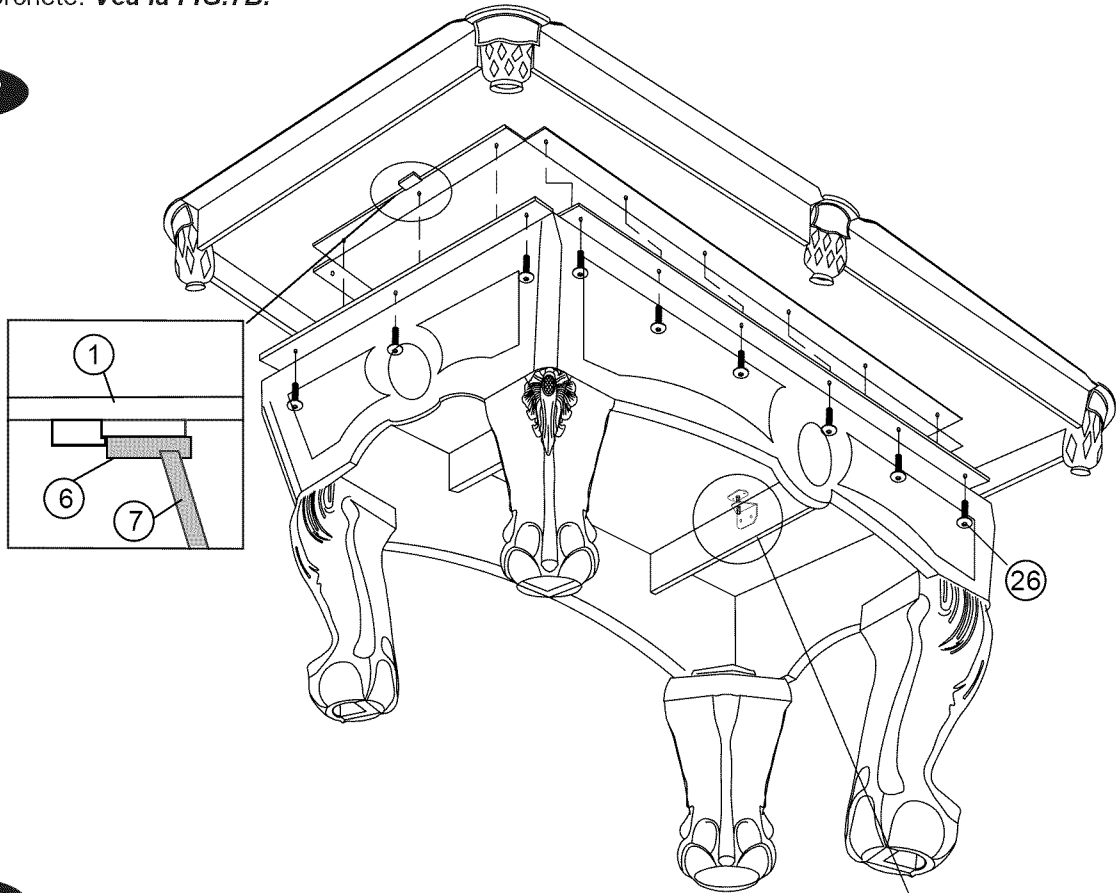


**FIG.7**

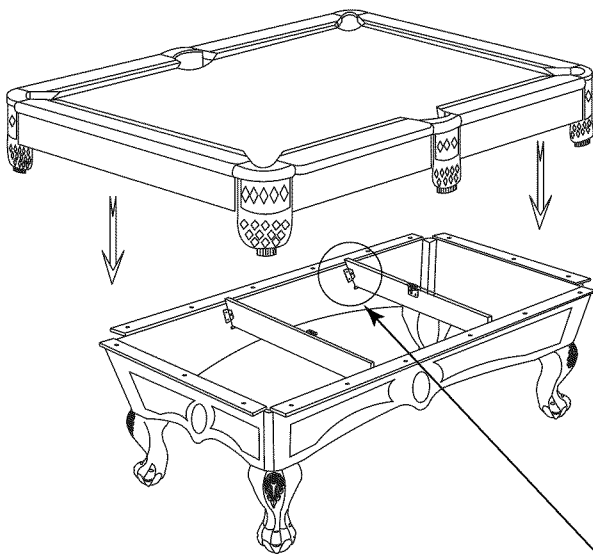
12. Coloque el Marco Principal (#1) sobre la parte superior de la Mesa Inferior pre-montado (Vea la FIG.6).  
Debajo del Marco Principal (#1), monte el Marco Principal (#1) a los Tableros Superior Lateral y Final (#4 & #6), usando 18 Cerrojos (#26). *Vea la FIG. 7 & 7A.*

13. Adjunte los Corchetes Regulable "L" (#10) a la parte trasera del Marco Principal (#1) usando 2 Tornillos (#22) por Corchete. *Vea la FIG.7B.*

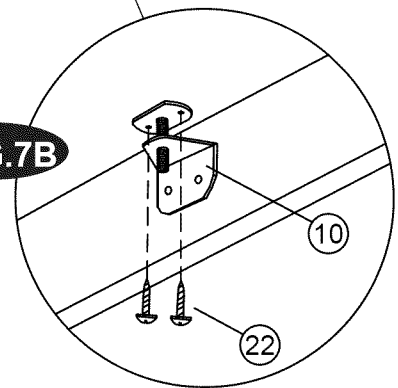
**FIG. 7**



**FIG.7A**



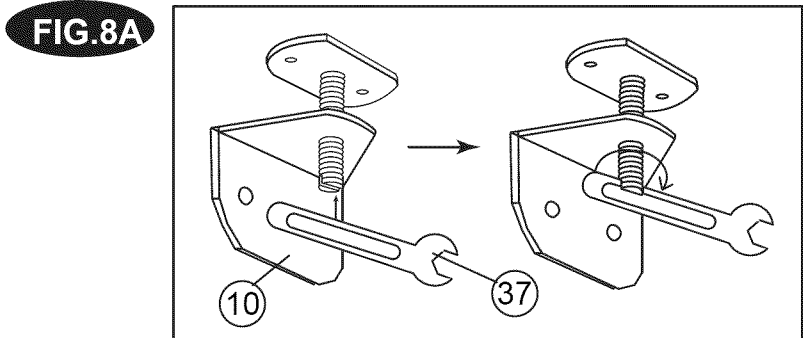
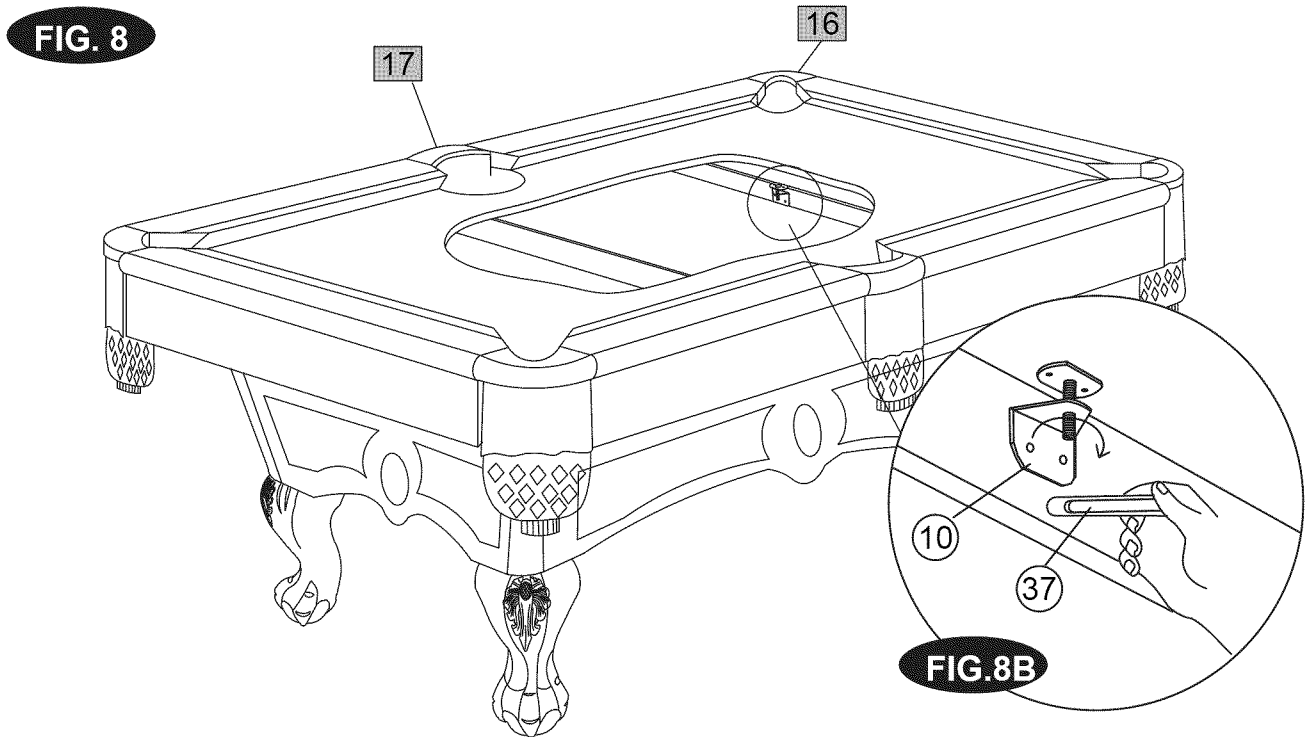
**FIG.7B**



***Vuelva y asegúrese que todas las conexiones están apretadas.***

## FIG.8

14. Debajo del Marco Principal (#1), ajuste los Corchetes "L" (#10) por el orden de nivel del campo de juego del Marco Principal (#1). **Vea la FIG. 8A & 8B.**

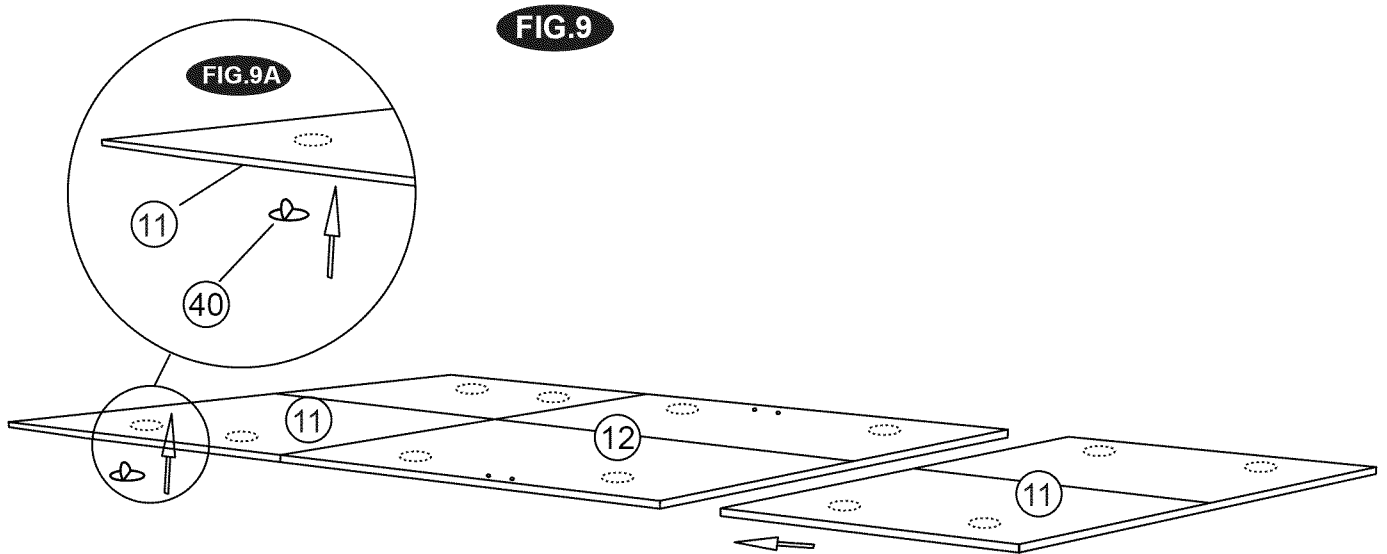


**NOTA:** No levante la mesa por las troneras. Si mueva la mesa, no la levante por colocación de sus manos bajo las troneras y tampoco apoyarse o haga presión sobre ellos. No inclínese o siéntese sobre el final o el lado de rieles como esto puede dañar la mesa.



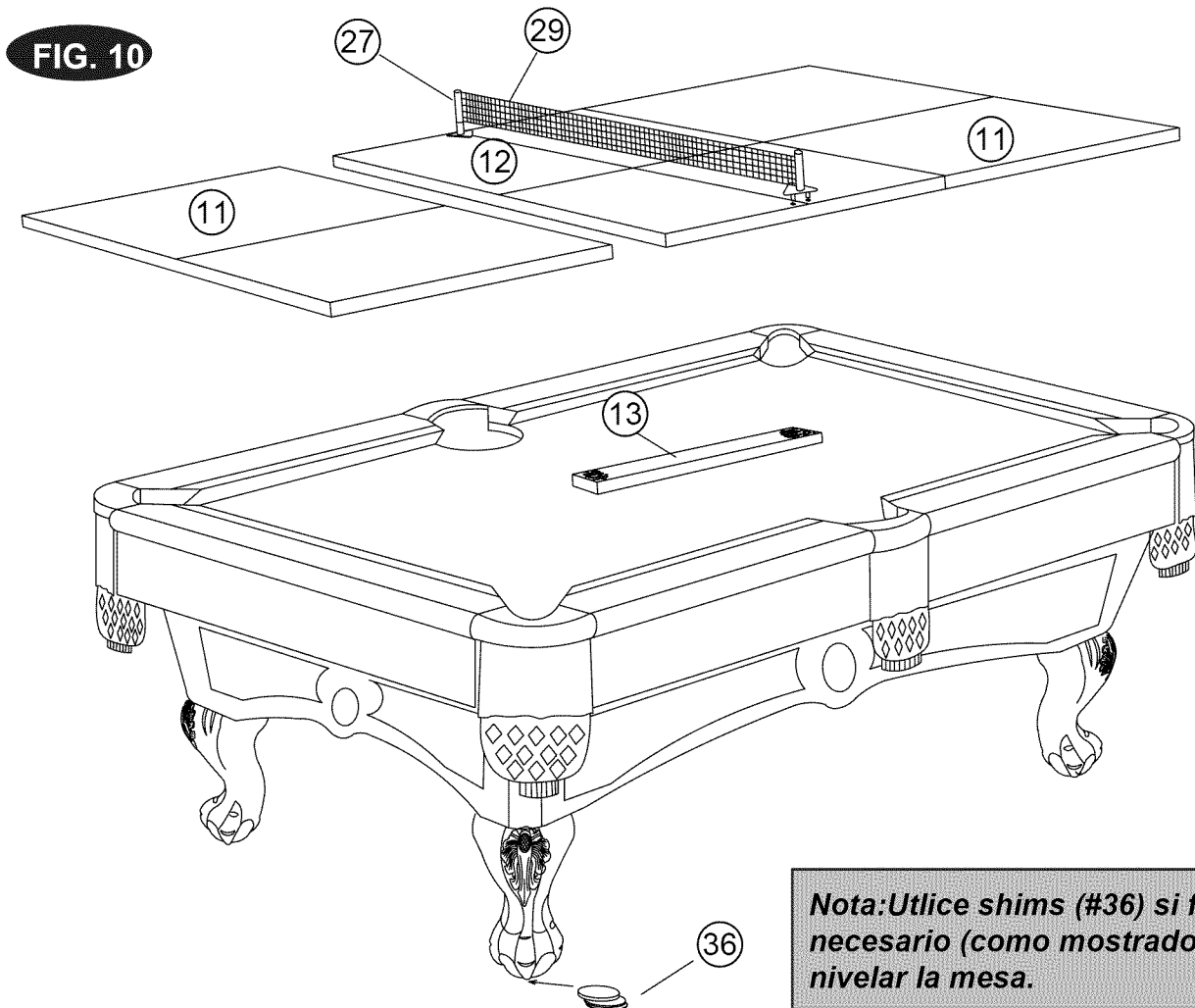
**FIG.9**

15. Arranque el papel de la parte trasera de Almohadilla EVA (#40) y péguelos al fondo de las Partes Superior de Tenis de Mesa (#11 & #12). **Vea la FIG. 9A.**



**FIG.10**

16. Coloque el Soporte de Tenis de Mesa (#13) sobre el Campo de Juego y coloque las Partes Superior de Tenis de Mesa (#11 & #12) sobre la superficie de billar. Y luego Inserte los Postes de Red (#27) y la Red (#29) sobre la Parte Superior de Tenis de Mesa. **Vea la FIG. 10.**

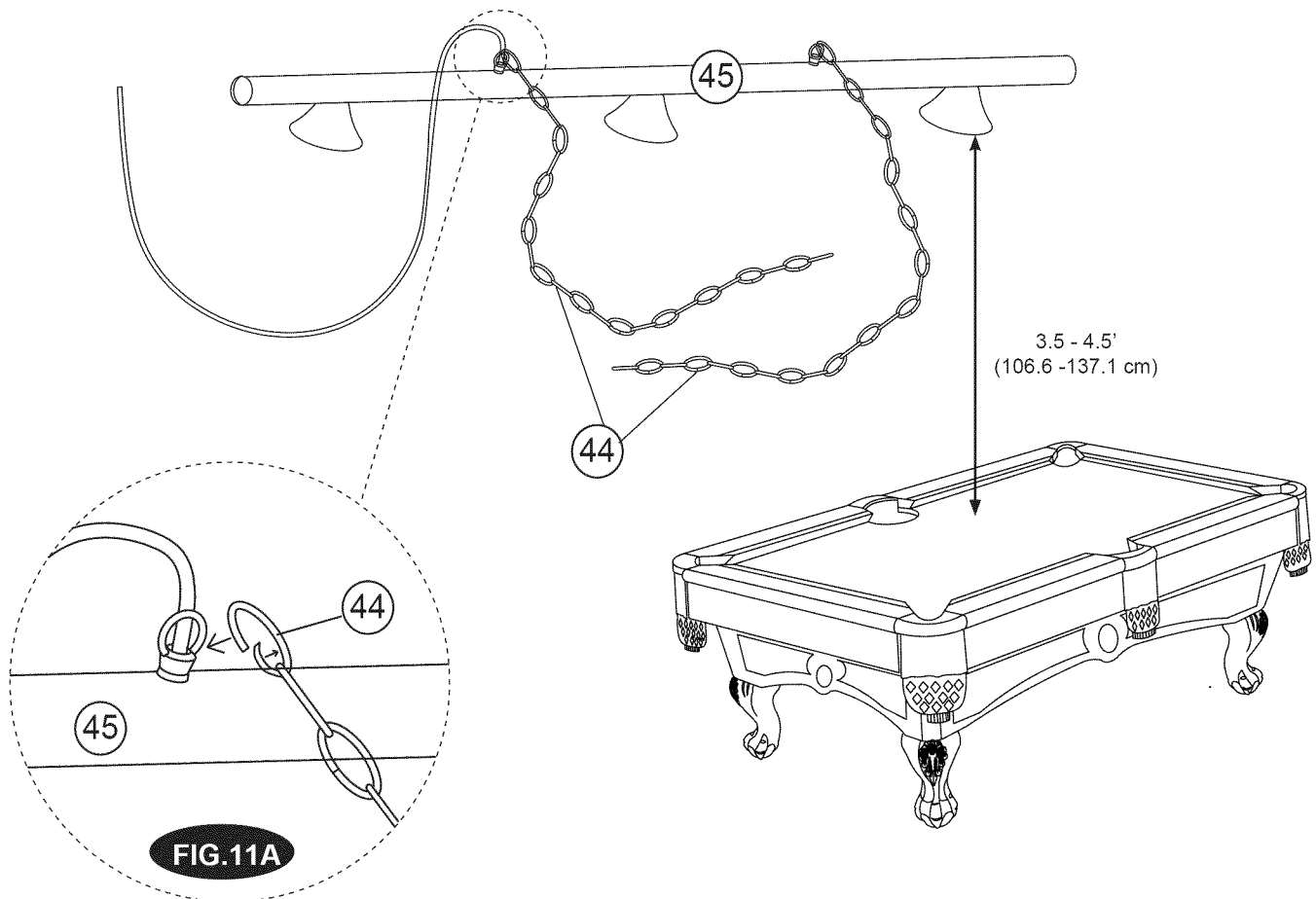


**Nota: Utilice shims (#36) si fuera necesario (como mostrado) para nivelar la mesa.**

## FIG.11

17. Abra un eslabón de cada Cadena de Lámpara (#44) usando pinzas (no incluido) y adjunte una Cadena a cada lazada sobre la Barra Metálica (#45). **Vea la FIG. 11A.**
18. Mantenga ambas Cadenas, determine la longitud necesaria de la cadena y quite eslabón exceso. Nota: Sería recomendado la suspensión del adorno de luz es de 3.5 – 4.5 pies (1 – 1.3m) encima de la superficie de la mesa de billar. No esté de pie sobre la mesa de billar.

## FIG. 11

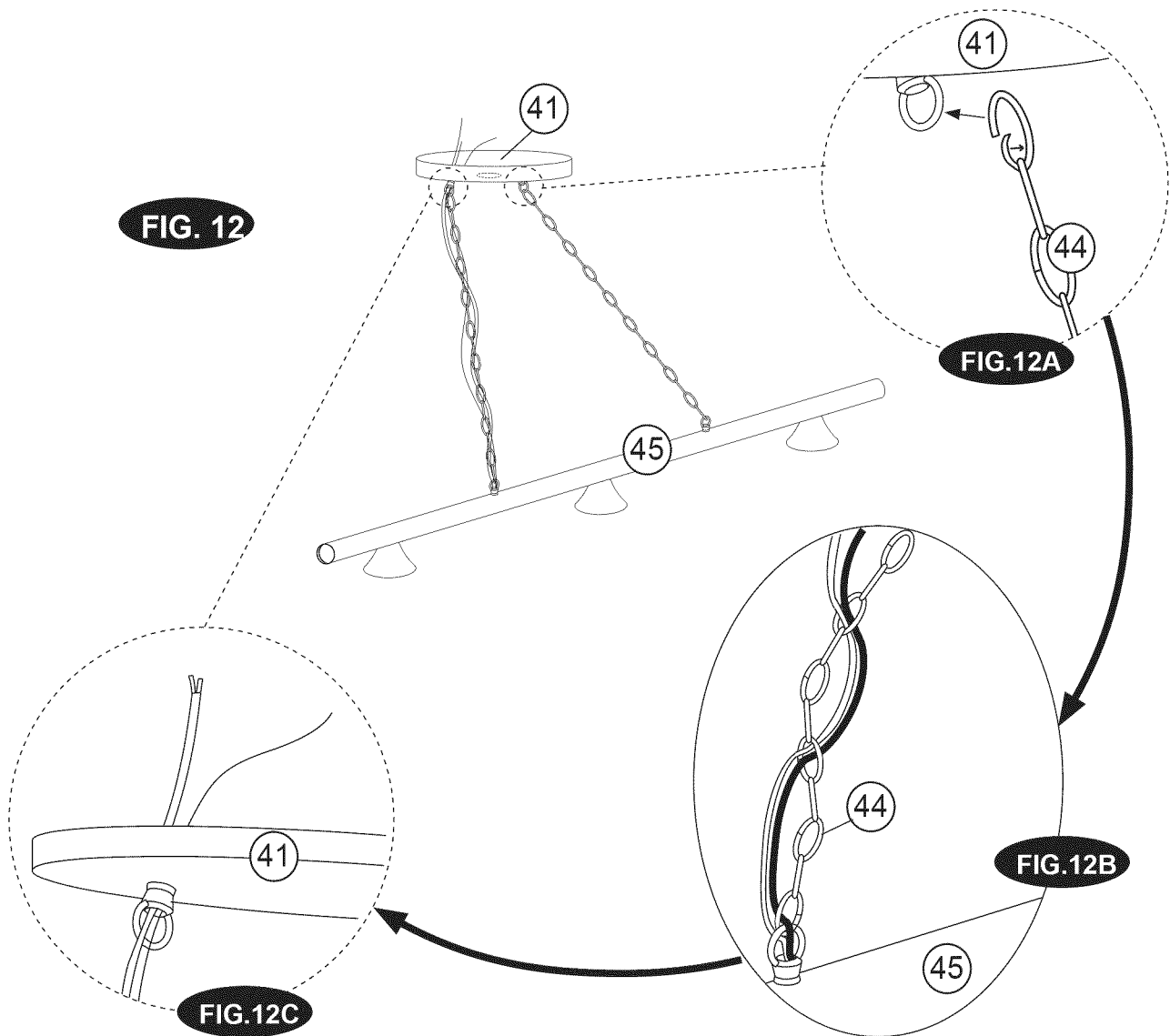


### **ADVERTENCIA IMPORTANTE: ¡PELIGRO DE INCENDIO / RIESGO DE DESCARGA ELÉCTRICA!**

- A. La instalación de este adorno debería ser conforme con el Código Eléctrico Nacional y todos los reglamentos de construcción aplicables local y estatal.
- B. La instalación eléctrica debería ser realizada por un electricista calificado autorizado; Instalación impropia podría causar **PELIGRO DE INCENDIO y/o DESCARGA ELÉCTRICA!**

**FIG.12**

19. Abra el eslabón de otras puntas de cada Cadena (#44) usando pinzas (no incluido) y adjunte una Cadena a cada lazada sobre el Dosel. (#41). **Vea la FIG. 12A.**
20. Enhebre el cable y el cable de suelo cada 4 o 5 eslabones de Cadena (#44). **Vea la FIG. 12B.**
21. Enhebre el cable y el cable de suelo por una lazada en el Dosel (#41). **Vea la FIG. 12C.**



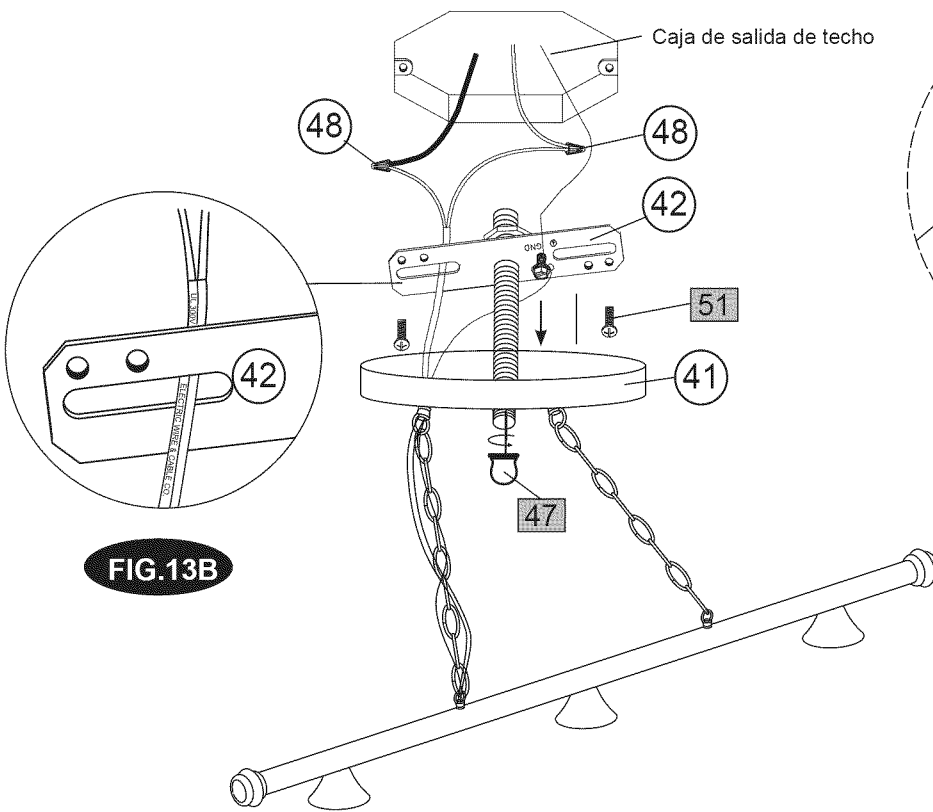
### FIG.13

**Nota:** Este paso requiere por lo menos un adulto sostenga el adorno de luz mientras el otro conectando el alambre.

**Asegúrese que está preparado una caja de techo UL (no incluido) correctamente instalado y capaz de apoyar aprox. de 55lbs. (25 K)**

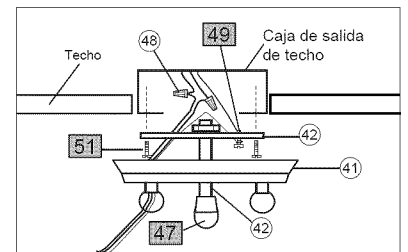
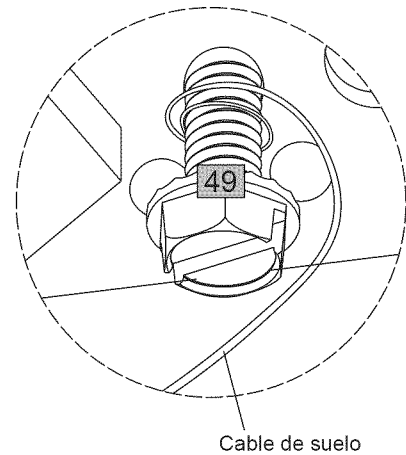
22. Destornille la Perilla (#47) y el Cerrojo (#49) desde la Correa de Marco (#42) y adjunte la Correa a la caja de techo usando tornillos de caja de techo existentes o los Tornillos (#51) suministrados.
23. Envuelva el cable de suelo alrededor del Cerrojo de Suelo (#49) sobre la Correa de Marco (#42). **Vea la FIG. 13A.**
24. Conecte los cables desde el adorno de luz al suministro de potencia usando 2 Conectores de Cable (#48).  
**Nota:** El lado del texto del cable de luz debería estar adjuntado al cable hot (negro) de casa . empuje los cables dentro de la caja de techo. **Vea la FIG. 13 & 13B.**
25. Coloque el Dosel (#41) sobre la barra de extensión de la Correa de Marco (#42) y sustituya la Perilla (#47).

**FIG. 13**



**FIG.13B**

**FIG.13A**



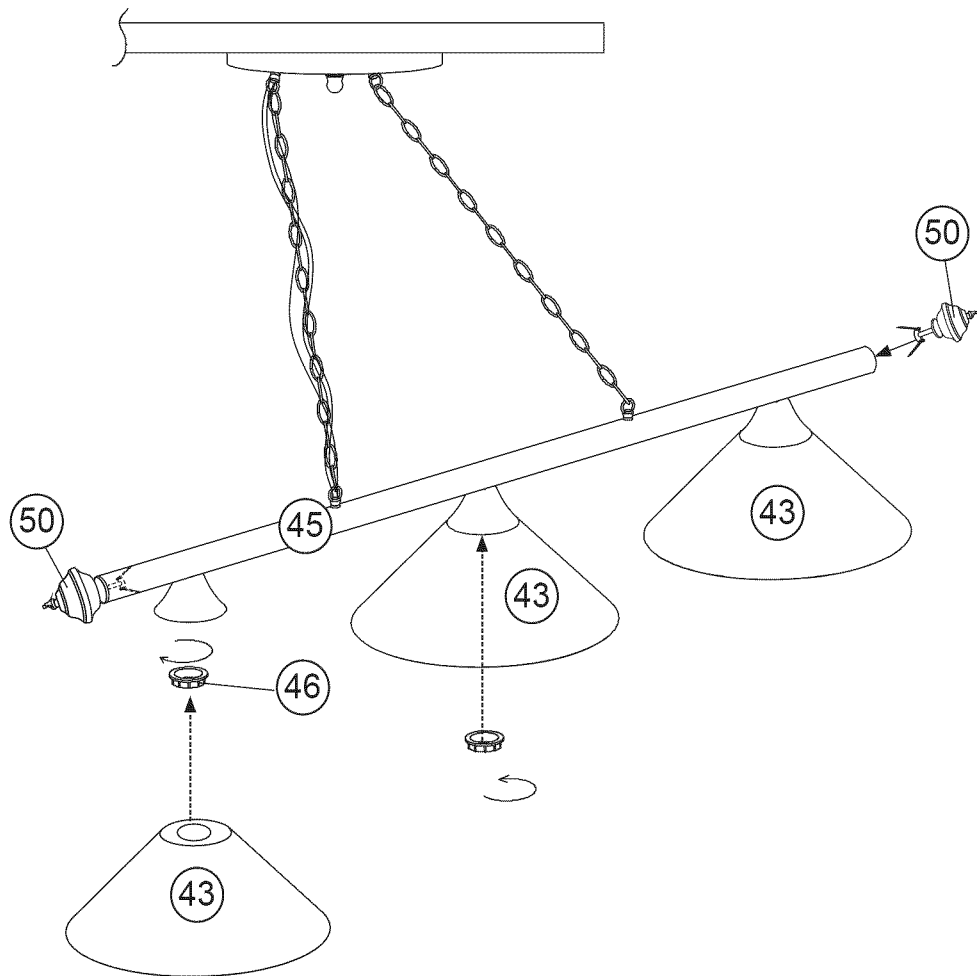
**FIG.13C**

**ADVERTENCIA:** Para evitar el riesgo de descarga eléctrica, asegúrese que está apagado el suministro de energía cuando está instalando o en servicio de este adorno. Sólo el electricista calificado podría instalar este adorno.

## FIG.14

26. Destornille los Cojinetes de Adorno (#46) fuera de la Barra Metálica (#45).
27. Coloque las Pantallas (#43) sobre la Barra Metálica (#45) y sustituya los Cojinetes de Adorno (#46).
28. Inserte un Finial Decorativo (#50) a cada punta de la Barra Metálica (#45).
29. Use solamente bulbos de Tipo "A" (no incluido). 60 a 100 Vatios (máx.) con este adorno de luz.

**FIG. 14**



**USTED ESTA AHORA LISTO PARA JUGAR!**