

If you have questions or comments, contact us.
 Pour toute question ou tout commentaire, nous contacter.
 Si tiene dudas o comentarios, contáctenos.

1-800-4-DEWALT • www.dewalt.com

INSTRUCTIVO DE OPERACIÓN. CENTROS DE SERVICIO Y PÓLIZA DE GARANTÍA. ADVERTENCIA: LEASE ESTE INSTRUCTIVO ANTES DE USAR EL PRODUCTO.

INSTRUCTION MANUAL
 GUIDE D'UTILISATION
 MANUAL DE INSTRUCCIONES

DEWALT®

D25012, D25013, D25023 Heavy-Duty 7/8" (22 mm) Compact SDS Plus® Rotary Hammers
 Marteaux rotatifs industriels compacts SDS Plus®, 22 mm (7/8 po), D25012, D25013, D25023
 Rotomartillos SDS Plus® compactos D25012, D25013, D25023 de 22 mm (7/8")
 para trabajos pesados

DEWALT Industrial Tool Co., 701 Joppa Road, Baltimore, MD 21286
 (JUN09) Part No. N027959 D25012, D25013, D25023
 Copyright © 2008, 2009 DEWALT


The following are trademarks for one or more DEWALT power tools: the yellow and black color scheme; the "D" shaped air intake grill; the array of pyramids on the handgrip; the kit box configuration; and the array of lozenge-shaped humps on the surface of the tool.

Definitions: Safety Guidelines


The definitions below describe the level of severity for each signal word. Please read the manual and pay attention to these symbols.

- ▲ **DANGER:** Indicates an imminently hazardous situation which, if not avoided, will result in death or serious injury.
- ▲ **WARNING:** Indicates a potentially hazardous situation which, if not avoided, could result in death or serious injury.
- ▲ **CAUTION:** Indicates a potentially hazardous situation which, if not avoided, may result in minor or moderate injury.
- NOTICE:** indicates a practice not related to personal injury which, if not avoided, may result in property damage.

IF YOU HAVE ANY QUESTIONS OR COMMENTS ABOUT THIS OR ANY DEWALT TOOL, CALL US TOLL FREE AT: 1-800-4-DEWALT (1-800-433-9258)

 **WARNING:** To reduce the risk of injury, read the instruction manual.

General Power Tool Safety Warnings

 **WARNING!** Read all safety warnings and all instructions. Failure to follow the warnings and instructions may result in electric shock, fire and/or serious injury.

SAVE ALL WARNINGS AND INSTRUCTIONS FOR FUTURE REFERENCE

The term "power tool" in the warnings refers to your mains-operated (corded) power tool or battery-operated (cordless) power tool.

1) WORK AREA SAFETY

- a) **Keep work area clean and well lit.** Cluttered or dark areas invite accidents.
- b) **Do not operate power tools in explosive atmospheres, such as in the presence of flammable liquids, gases or dust.** Power tools create sparks which may ignite the dust or fumes.
- c) **Keep children and bystanders away while operating a power tool.** Distractions can cause you to lose control.

2) ELECTRICAL SAFETY

- a) **Power tool plugs must match the outlet. Never modify the plug in any way. Do not use any adapter plugs with earthed (grounded) power tools.** Unmodified plugs and matching outlets will reduce risk of electric shock.
- b) **Avoid body contact with earthed or grounded surfaces such as pipes, radiators, ranges and refrigerators.** There is an increased risk of electric shock if your body is earthed or grounded.
- c) **Do not expose power tools to rain or wet conditions.** Water entering a power tool will increase the risk of electric shock.
- d) **Do not abuse the cord. Never use the cord for carrying, pulling or unplugging the power tool. Keep cord away from heat, oil, sharp edges or moving parts.** Damaged or entangled cords increase the risk of electric shock.
- e) **When operating a power tool outdoors, use an extension cord suitable for outdoor use.** Use of a cord suitable for outdoor use reduces the risk of electric shock.
- f) **If operating a power tool in a damp location is unavoidable, use a ground fault circuit interrupter (GFCI) protected supply.** Use of a GFCI reduces the risk of electric shock.

3) PERSONAL SAFETY

- a) **Stay alert, watch what you are doing and use common sense when operating a power tool. Do not use a power tool while you are tired or under the influence of drugs, alcohol or medication.** A moment of inattention while operating power tools may result in serious personal injury.
- b) **Use personal protective equipment. Always wear eye protection.** Protective equipment such as dust mask, non-skid safety shoes, hard hat, or hearing protection used for appropriate conditions will reduce personal injuries.
- c) **Prevent unintentional starting. Ensure the switch is in the off position before connecting to power source and/or battery pack, picking up or carrying the tool.** Carrying power tools with your finger on the switch or energising power tools that have the switch on invites accidents.
- d) **Remove any adjusting key or wrench before turning the power tool on.** A wrench or a key left attached to a rotating part of the power tool may result in personal injury.

- e) **Do not overreach. Keep proper footing and balance at all times.** This enables better control of the power tool in unexpected situations.
 - f) **Dress properly. Do not wear loose clothing or jewellery. Keep your hair, clothing and gloves away from moving parts.** Loose clothes, jewellery or long hair can be caught in moving parts.
 - g) **If devices are provided for the connection of dust extraction and collection facilities, ensure these are connected and properly used.** Use of dust collection can reduce dust-related hazards.
- 4) **POWER TOOL USE AND CARE**
- a) **Do not force the power tool. Use the correct power tool for your application.** The correct power tool will do the job better and safer at the rate for which it was designed.
 - b) **Do not use the power tool if the switch does not turn it on and off.** Any power tool that cannot be controlled with the switch is dangerous and must be repaired.
 - c) **Disconnect the plug from the power source and/or the battery pack from the power tool before making any adjustments, changing accessories, or storing power tools.** Such preventive safety measures reduce the risk of starting the power tool accidentally.
 - d) **Store idle power tools out of the reach of children and do not allow persons unfamiliar with the power tool or these instructions to operate the power tool.** Power tools are dangerous in the hands of untrained users.
 - e) **Maintain power tools. Check for misalignment or binding of moving parts, breakage of parts and any other condition that may affect the power tool's operation. If damaged, have the power tool repaired before use.** Many accidents are caused by poorly maintained power tools.
 - f) **Keep cutting tools sharp and clean.** Properly maintained cutting tools with sharp cutting edges are less likely to bind and are easier to control.
 - g) **Use the power tool, accessories and tool bits etc., in accordance with these instructions taking into account the working conditions and the work to be performed.** Use of the power tool for operations different from those intended could result in a hazardous situation.

5) SERVICE

- a) **Have your power tool serviced by a qualified repair person using only identical replacement parts.** This will ensure that the safety of the power tool is maintained.

Additional Safety Instructions for Rotary Hammers

- **Wear ear protectors.** Exposure to noise can cause hearing loss.
- **Use auxiliary handles supplied with the tool.** Loss of control can cause personal injury.
- **Hold power tools by insulated gripping surfaces when performing an operation where the cutting tool may contact hidden wiring or its own cord.** Contact with a "live" wire will make exposed metal parts of the tool "live" and shock the operator.
- **Use clamps or other practical way to secure and support the workpiece to a stable platform.** Holding the work by hand or against your body is unstable and may lead to loss of control.
- **Wear safety goggles or other eye protection.** Hammering operations cause chips to fly. Flying particles can cause permanent eye damage. Wear a dust mask or respirator for applications that generate dust. Ear protection may be required for most applications.
- **Keep a firm grip on the tool at all times. Do not attempt to operate this tool without holding it with both hands.** It is recommended that the side handle be used at all times. Operating this tool with one hand will result in loss of control. Breaking through or encountering hard materials such as re-bar may be hazardous as well. Tighten the side handle securely before use.
- The hammer is only for light chiselling applications.
- The forward/reverse switch must be in the forward position when chiselling.
- Do not use this tool to mix or pump easily combustible or explosive fluids (benzine, alcohol, etc.).
- Do not mix or stir inflammable liquids labelled accordingly.
- **Do not operate this tool for long periods of time.** Vibration caused by hammer action may be harmful to your hands and arms. Use gloves to provide extra cushion and limit exposure by taking frequent rest periods.
- **Do not recondition bits yourself.** Chisel reconditioning should be done by an authorized specialist. Improperly reconditioned chisels could cause injury.
- **Wear gloves when operating tool or changing bits.** Accessible metal parts on the tool and bits may get extremely hot during operation. Small bits of broken material may damage bare hands.
- **Never lay the tool down until the bit has come to a complete stop.** Moving bits could cause injury.
- **Do not strike jammed bits with a hammer to dislodge them.** Fragments of metal or material chips could dislodge and cause injury.
- **Slightly worn chisels can be resharpened by grinding.**
- **Keep the power cord away from the rotating bit. Do not wrap the cord around any part of your body.** An electric cord wrapped around a spinning bit may cause personal injury and loss of control.
- **Air vents often cover moving parts and should be avoided.** Loose clothes, jewellery or long hair can be caught in moving parts.
- **An extension cord must have adequate wire size (AWG or American Wire Gauge) for safety.** The smaller the gauge number of the wire, the greater the capacity of the cable, that is 16 gauge has more capacity than 18 gauge. An undersized cord will cause a drop in line voltage resulting in loss of power and overheating. When using more than one extension to make up the total length, be sure each individual extension contains at least the minimum wire size. The following table shows the correct size to use depending on cord length and nameplate ampere rating. If in doubt, use the next heavier gauge. The smaller the gauge number, the heavier the cord.

		Minimum Gauge for Cord Sets				
		Volts	Total Length of Cord in Feet (meters)			
Ampere Rating		120V	25 (7.6)	50 (15.2)	100 (30.5)	150 (45.7)
		240V	50 (15.2)	100 (30.5)	200 (61.0)	300 (91.4)
More Than	Not More Than	AWG				
0	6	18	16	16	14	
6	10	18	16	14	12	
10	12	16	16	14	12	
12	16	14	12	Not Recommended		

NOTE: Do not overheat the bit (discoloration) while grinding a new edge. Badly worn chisels require reforging. Do not reharden and temper the chisel.

▲ **WARNING: ALWAYS** use safety glasses. Everyday eyeglasses are NOT safety glasses. Also use face or dust mask if cutting operation is dusty. ALWAYS WEAR CERTIFIED SAFETY EQUIPMENT:

- ANSI Z87.1 eye protection (CAN/CSA Z94.3),
- ANSI S12.6 (S3.19) hearing protection,
- NIOSH/OSHA/MSHA respiratory protection.

▲ **WARNING:** Some dust created by power sanding, sawing, grinding, drilling, and other construction activities contains chemicals known to cause cancer, birth defects or other reproductive harm. Some examples of these chemicals are:

- lead from lead-based paints,
- crystalline silica from bricks and cement and other masonry products, and
- arsenic and chromium from chemically-treated lumber.

Your risk from these exposures varies, depending on how often you do this type of work. To reduce your exposure to these chemicals: work in a well ventilated area, and work with approved safety equipment, such as those dust masks that are specially designed to filter out microscopic particles.

• **Avoid prolonged contact with dust from power sanding, sawing, grinding, drilling, and other construction activities. Wear protective clothing and wash exposed areas with soap and water.** Allowing dust to get into your mouth, eyes, or lay on the skin may promote absorption of harmful chemicals.

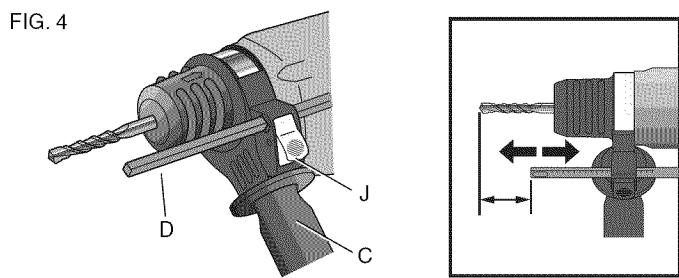
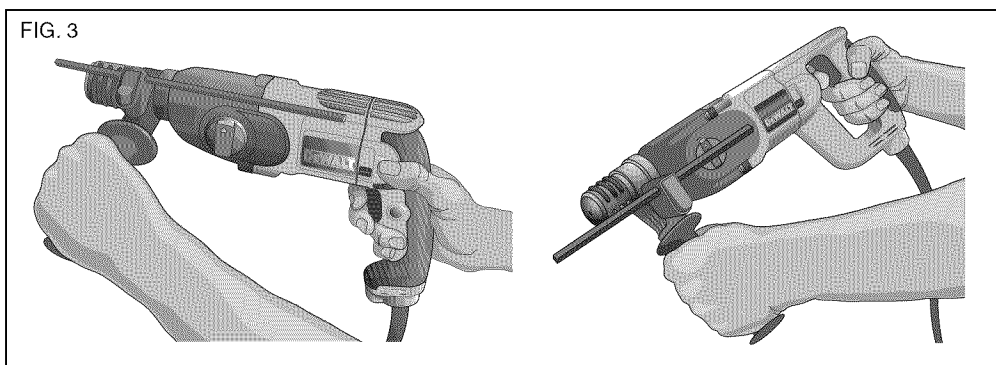
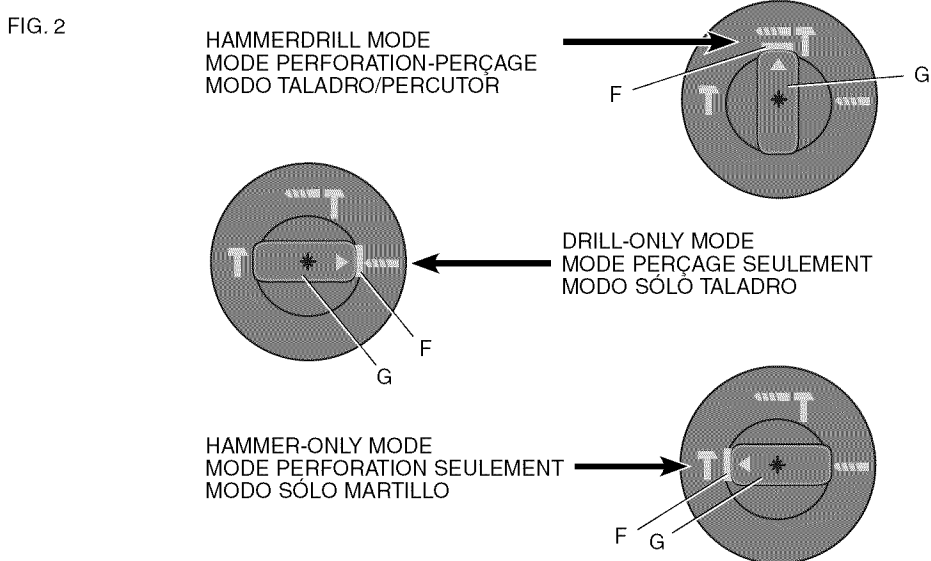
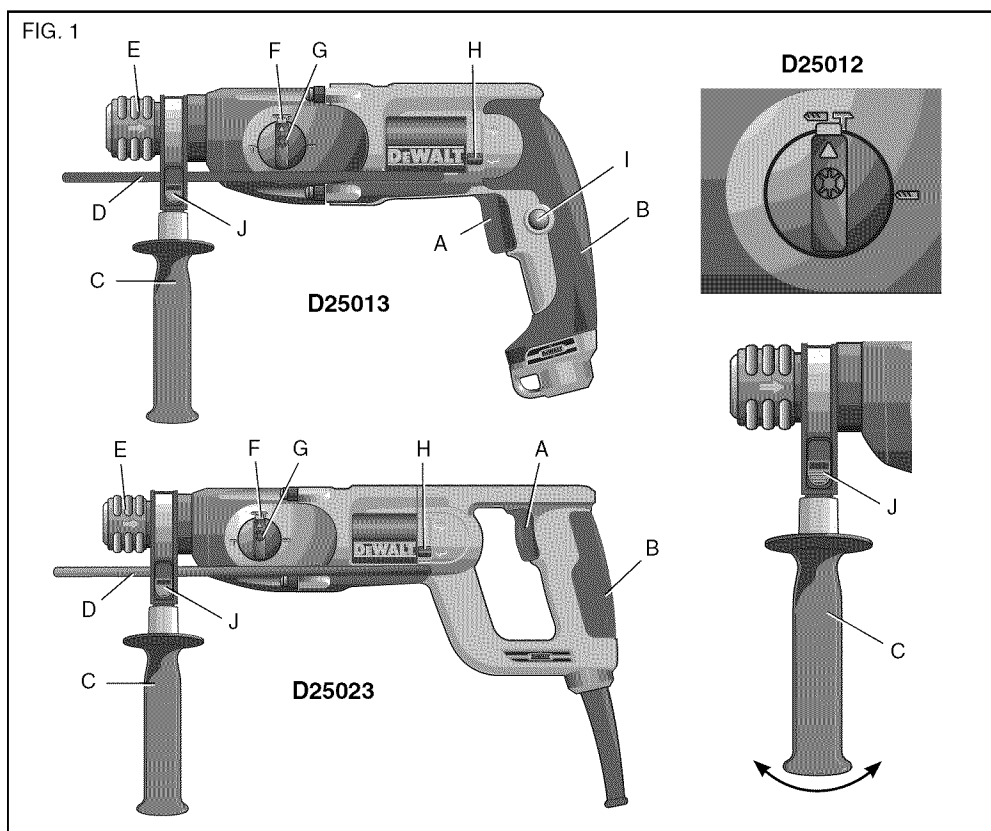
▲ **WARNING:** Use of this tool can generate and/or disburse dust, which may cause serious and permanent respiratory or other injury. Always use NIOSH/OSHA approved respiratory protection appropriate for the dust exposure. Direct particles away from face and body.

▲ **WARNING: Always use eye protection.** All users and bystanders must wear eye protection that conforms to ANSI Z87.1.

▲ **WARNING: Always wear proper personal hearing protection that conforms to ANSI S12.6 (S3.19) during use.** Under some conditions and duration of use, noise from this product may contribute to hearing loss.

• The label on your tool may include the following symbols. The symbols and their definitions are as follows:

V.....	volts	A.....	amperes
W.....	watts	W.....	watts
Hz.....	hertz	~	alternating current
min.....	minutes	⊞	alternating or direct current
≡	direct current	n ₀	no load speed
Ⓛ.....	Class I Construction (grounded)	Ⓧ.....	earthing terminal
Ⓜ.....	Class II Construction (double insulated)	▲	safety alert symbol
.../min	per minute	BPM.....	beats per minute
		RPM.....	revolutions per minute



Motor

Your DEWALT tool is powered by a DEWALT-built motor. Be sure your power supply agrees with the nameplate markings. Voltage decrease of more than 10% will cause loss of power and overheating. All DEWALT tools are factory tested.

COMPONENTS (Fig. 1)

WARNING: Never modify the power tool or any part of it. Damage or personal injury could result.

- | | |
|----------------------------------|-----------------------------|
| A. Variable speed trigger switch | G. Mode selector |
| B. Main handle | H. Reversing lever |
| C. Side handle | I. Lock-on button |
| D. Depth rod | (D25012, D25013 only) |
| E. SDS Plus® chuck | J. Depth rod release button |
| F. Mode selector button | |

INTENDED USE

These heavy-duty rotary hammers have been designed for professional drilling and hammerdrilling, screwdriving and light chipping at various work sites (i.e., construction sites). **DO NOT** use under wet conditions or in presence of flammable liquids or gases.

These heavy-duty rotary hammers are professional power tools. **DO NOT** let children come into contact with the tool. Supervision is required when inexperienced operators use this tool.

Side Handle (Fig. 1)

WARNING: To reduce the risk of personal injury, **ALWAYS** operate the tool with the side handle properly installed and securely tightened. Failure to do so may result in the side handle slipping during tool operation and subsequent loss of control. Hold tool with both hands to maximize control.

A side handle comes assembled with this rotary hammer. The side handle (C) can be fitted to suit both right-hand and left-hand users.

TO ADJUST THE SIDE HANDLE

- Loosen the side handle (C) by turning it counterclockwise.
- Rotate the side handle to the desired position.
- Tighten the side handle by turning it clockwise.

TO CHANGE SIDES

For right-hand users: slide the side handle clamp over the chuck, handle at the left.

For left-hand users: slide the side handle clamp over the chuck, handle at the right.

Trigger Switch (Fig. 1)

To start the rotary hammer, depress the trigger switch (A). To stop rotary hammer, release the switch.

NOTE: Use lower speeds for starting holes without a centerpunch, drilling in metal, plastics or ceramics, or driving screws. Higher speeds are better for drilling in masonry for maximum efficiency.

VARIABLE SPEED

The variable speed trigger switch (A) permits speed control. The farther the trigger switch is depressed, the higher the speed of the drill.

LOCK-ON BUTTON (D25012, D25013 ONLY)

WARNING: Be sure to release the locking mechanism before disconnecting the plug from the power supply. Failure to do so will cause the hammerdrill to start immediately the next time it is plugged in. Damage or personal injury could result.

The lock-on button (I) is for use only when the rotary hammer is stationary, mounted in a drill press stand or for chipping applications.

Before using the tool each time, be sure that the lock-on button release mechanism is working freely.

For continuous operation, press and hold the trigger switch (A); press the lock-on button (I); release the trigger switch and then release the lock-on button. The tool will continue to run.

To stop the tool in continuous operation, quickly press and release the trigger switch.

Reversing Lever (Fig. 1)

The reversing lever (H) is used to reverse the rotary hammer for backing out fasteners or jammed bits in drill-only mode.

CAUTION: When reversing to clear jammed bits, be ready for strong reactive torque.

To reverse the rotary hammer, turn it off and align the reversing lever (H) with the yellow arrow pointing backward (viewed when holding drill in operating position).

To position the lever for forward operation, turn the rotary hammer off and align the reversing lever (H) with the yellow arrow pointing forward (viewed when holding drill in operating position).

Mode Selector (Fig. 2)

NOTICE: Tool must come to a complete stop before activating the mode selector button or damage to the tool may result.

DRILL-ONLY MODE

To use drill-only mode, press mode selector button (F) and turn the mode selector (G) so the yellow arrow points to the corresponding symbol as shown. Use drill-only mode for wood, metal, and plastics.

HAMMERDRILL MODE

To use hammerdrill mode, press the mode selector button (F) and turn the mode selector (G) so the yellow arrow points to the corresponding symbol as shown. Use this mode for masonry drilling.

HAMMER-ONLY MODE

(D25013, D25023)
For light chiseling, press the mode selector button (F) and turn the mode selector (G) so the yellow arrow points to the corresponding symbol as shown.

NOTE: The yellow arrow on the mode selector **MUST** be aligned with one of the symbols at all times. There are no operable positions between the positions.

SDS Plus® Chuck (Fig. 1)

WARNING: To reduce the risk of serious personal injury, turn tool off and disconnect tool from power source before making any adjustments or removing/installing attachments or accessories.

WARNING: Burn Hazard. **ALWAYS** wear gloves when changing bits. Accessible metal parts on the tool and bits may get extremely hot during operation. Small bits of broken material may damage bare hands.

WARNING: Do not attempt to tighten or loosen drill bits (or any other accessory) by gripping the front part of the chuck and turning the tool on. Damage to the chuck and personal injury may occur.

To insert bit, insert shank of bit about 3/4" (19 mm), no further than 7/8" (22 mm) into chuck. Push and rotate bit until it locks in place. The bit will be securely held.

To release bit, pull the chuck sleeve (E) back and remove the bit.

OPERATION

WARNING: To reduce the risk of serious personal injury, turn tool off and disconnect tool from power source before making any adjustments or removing/installing attachments or accessories.

WARNING: To reduce the risk of personal injury, **ALWAYS** ensure workpiece is anchored or clamped firmly. If drilling thin material, use a wood "back-up" block to prevent damage to the material.

WARNING: To reduce the risk of personal injury, **ALWAYS** operate the tool with the side handle properly installed and securely tightened. Failure to do so may result in the side handle slipping during tool operation and subsequent loss of control. Hold tool with both hands to maximize control.

Proper Hand Position (Fig. 3)

WARNING: To reduce the risk of serious personal injury, **ALWAYS** use proper hand position as shown.

WARNING: To reduce the risk of serious personal injury, **ALWAYS** hold securely in anticipation of a sudden reaction.

Proper hand position requires one hand on the side handle (C), with the other hand on the main handle (B).

Overload Clutch

If the drill bit becomes jammed or caught, the drive to the drill spindle is interrupted by the overload clutch. Because of the forces that occur as a result, always hold the machine securely with both hands and take a firm stance.

Drilling Tools

The machine is intended for hammerdrilling in concrete, brick and stone. It is also suitable for drilling without impact in wood, metal, ceramic and plastic.

Drilling (Fig. 1)

WARNING: To reduce the risk of serious personal injury, turn tool off and disconnect tool from power source before making any adjustments or removing/installing attachments or accessories.

WARNING: To reduce the risk of personal injury, **ALWAYS** ensure workpiece is anchored or clamped firmly. If drilling thin material, use a wood "back-up" block to prevent damage to the material.

Press mode selector button (F) and turn the mode selector (G) to the drill bit symbol for drilling, to the hammer symbol for hammering or to the hammerdrill symbol for hammerdrilling.

DRILLING OPERATION

- For **WOOD**, use twist bits, spade bits, power auger bits or hole saws. For **METAL**, use high-speed steel twist drill bits or hole saws. Use a cutting lubricant when drilling metals. The exceptions are cast iron and brass which should be drilled dry. For **MASONRY**, use carbide-tipped bits or masonry bits. A smooth, even flow of dust indicates the proper drilling rate.
 - Always apply pressure in a straight line with the bit. Use enough pressure to keep the drill bit biting, but do not push hard enough to stall the motor or deflect the bit.
 - Hold tool firmly with both hands to control the twisting action of the drill.
- WARNING:** Drill may stall if overloaded causing a sudden twist. Always expect the stall. Grip the drill firmly with both hands to control the twisting action and avoid injury.
- IF DRILL STALLS**, it is usually because it is being overloaded. **RELEASE TRIGGER IMMEDIATELY**, remove drill bit from work, and determine cause of stalling. **DO NOT CLICK TRIGGER OFF AND ON IN AN ATTEMPT TO START A STALLED DRILL – THIS CAN DAMAGE THE DRILL.**
 - To minimize stalling or breaking through the material, reduce pressure on drill and ease the bit through the last fractional part of the hole.
 - Keep the motor running when pulling the bit back out of a drilled hole. This will help prevent jamming.
 - With variable speed drills there is no need to center punch the point to be drilled. Use a slow speed to start the hole and accelerate by squeezing the trigger harder when the hole is deep enough to drill without the bit skipping out.

DRILLING IN METAL

An SDS Plus® to round shank adaptor chuck is required. Ensure that tool is in drill-only mode. Start drilling with slow speed and increase to full power while applying firm pressure on the tool. A smooth even flow of metal chips indicates the proper drilling rate. Use a cutting lubricant when drilling metals. The exceptions are cast iron and brass which should be drilled dry.

NOTE: Large [5/16" to 1/2" (7.9 mm to 12.7 mm)] holes in steel can be made easier if a pilot hole [5/32" to 3/16" (4 mm to 4.8 mm)] is drilled first.

DRILLING IN WOOD

An SDS Plus® to round shank adaptor chuck is required. Ensure that tool is in drill-only mode. Start drilling with slow speed and increase to full power while applying firm pressure on the tool. Holes in wood can be made with the same twist drills used for metal. These bits may overheat unless pulled out frequently to clear chips from the flutes. For larger holes, use spade bits, power auger bits, or hole saws. Work that is apt to splinter should be backed up with a block of wood.

HAMMERDRILL OPERATION

- When drilling, use just enough force on the hammer to keep it from bouncing excessively or "rising" off the bit. Too much force will cause slower drilling speeds, overheating, and a lower drilling rate.
- Drill straight, keeping the bit at a right angle to the work. Do not exert side pressure on the bit when drilling as this will cause clogging of the bit flutes and a slower drilling speed.
- When drilling deep holes, if the hammer speed starts to drop off, pull the bit partially out of the hole with the tool still running to help clear debris from the hole.
- For masonry, use carbide-tipped bits or masonry bits. A smooth even flow of dust indicates the proper drilling rate.

Chipping and Chiselling (D25013, D25023)

- To switch from hammer drilling to chiselling, first insert the SDS Plus® chisel and check if it is properly locked.
- When switching from hammer drilling mode to chiselling mode, turn the chisel to the desired position. If you find resistance during mode change, turn the chisel slightly to engage the spindle lock.

Depth Rod (Fig. 4)

TO ADJUST THE DEPTH ROD

- Push in and hold the depth rod release button (J) on the side handle.
- Move the depth rod (D) so the distance between the end of the rod and the end of the bit equals the desired drilling depth.
- Release the button to lock rod into position. When drilling with the depth rod, stop when end of rod reaches surface of material.

MAINTENANCE

⚠ WARNING: To reduce the risk of serious personal injury, turn tool off and disconnect tool from power source before making any adjustments or removing/installing attachments or accessories.

Cleaning

⚠ WARNING: Blow dirt and dust out of all air vents with dry air at least once a week. Wear proper ANSI Z87.1 (CAN/CSA Z94.3) eye protection and proper NIOSH/OSHA/MSHA respiratory protection when performing this.

⚠ WARNING: Never use solvents or other harsh chemicals for cleaning the non-metallic parts of the tool. These chemicals may weaken the plastic materials used in these parts. Use a cloth dampened only with water and mild soap. Never let any liquid get inside the tool; never immerse any part of the tool into a liquid.

Lubrication

Your tool was properly lubricated before leaving the factory. In from two to six months, depending upon use, take or send your tool to an authorized service center for a complete cleaning, inspection and lubrication. Tools used constantly on production jobs will need relubrication more often. Also, tools “out of service” for long periods should be relubricated before being put back to work.

Accessories

⚠WARNING: Since accessories, other than those offered by DEWALT, have not been tested with this product, use of such accessories with this tool could be hazardous. To reduce the risk of injury, only DEWALT, recommended accessories should be used with this product.

Recommended accessories for use with your tool are available at extra cost from your local dealer or authorized service center. If you need assistance in locating any accessory, please contact DEWALT Industrial Tool Co., 701 East Joppa Road, Baltimore, MD 21286, call 1-800-4-DEWALT (1-800-433-9258) or visit our website www.dewalt.com.

MAXIMUM RECOMMENDED CAPACITIES	
	D25012, D25013, D25023
Masonry	7/8" (22 mm)
Steel	1/2" (13 mm)
Wood	1-1/8" (30 mm)
OPTIMUM CAPACITY	
Masonry	5/32"–1/2" (4 mm–13 mm)

Repairs

To assure product SAFETY and RELIABILITY, repairs, maintenance and adjustments (including brush inspection and replacement) should be performed by a DEWALT factory service center, a DEWALT authorized service center or other qualified service personnel. Always use identical replacement parts.

Three Year Limited Warranty

DEWALT will repair, without charge, any defects due to faulty materials or workmanship for three years from the date of purchase. This warranty does not cover part failure due to normal wear or tool abuse. For further detail of warranty coverage and warranty repair information, visit www.dewalt.com or call 1-800-4-DEWALT (1-800-433-9258). This warranty does not apply to accessories or damage caused where repairs have been made or attempted by others. This warranty gives you specific legal rights and you may have other rights which vary in certain states or provinces.

In addition to the warranty, DEWALT tools are covered by our:

1 YEAR FREE SERVICE

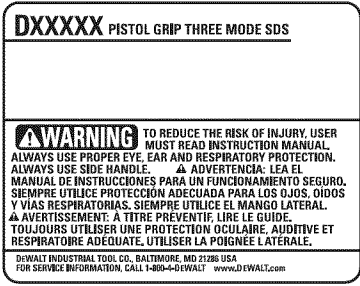
DEWALT will maintain the tool and replace worn parts caused by normal use, for free, any time during the first year after purchase.

90 DAY MONEY BACK GUARANTEE

If you are not completely satisfied with the performance of your DEWALT Power Tool, Laser, or Nailer for any reason, you can return it within 90 days from the date of purchase with a receipt for a full refund – no questions asked.

LATIN AMERICA: This warranty does not apply to products sold in Latin America. For products sold in Latin America, see country specific warranty information contained either in the packaging, call the local company or see website for warranty information.

FREE WARNING LABEL REPLACEMENT: If your warning labels become illegible or are missing, call 1-800-4-DEWALT for a free replacement.



SPECIFICATIONS

	D25012	D25013, D25023
Voltage:	120 V AC~	120 V AC~
Ampere rating:	6.0 A	6.0 A
Frequency:	60 Hz	60 Hz
Watts	650	650
RPM:	0–1,550/min	0–1,550/min
Beats per minute:	0–4,150	0–4,550

Définitions : lignes directrices en matière de sécurité

Les définitions ci-dessous décrivent le niveau de danger pour chaque mot-indicateur employé. Veuillez lire le mode d'emploi et porter une attention particulière à ces symboles.

⚠DANGER : indique une situation dangereuse imminente qui, si elle n'est pas évitée, **causera la mort ou des blessures graves.**

⚠AVERTISSEMENT : indique une situation potentiellement dangereuse qui, si elle n'est pas évitée, **pourrait** se solder par un **décès ou des blessures graves.**

⚠ATTENTION : indique une situation potentiellement dangereuse qui, si elle n'est pas évitée **pourrait** se solder par **des blessures mineures ou modérées.**

AVIS : indique une pratique ne posant **aucun risque de dommages corporels** mais qui par contre, si rien n'est fait pour l'éviter, **pourrait** poser des **risques de dommages matériels.**

POUR TOUTE QUESTION OU TOUT COMMENTAIRE RELATIF À CET OUTIL OU À PROPOS DE TOUT AUTRE OUTIL DEWALT, COMPOSER SANS FRAIS LE : **1-800-4-DEWALT (1-800-433-9258).**

⚠ AVERTISSEMENT : afin de réduire le risque de blessures, lire le mode d'emploi de l'outil.

Avertissements de sécurité généraux pour les outils électriques

⚠ AVERTISSEMENT! Lire tous les avertissements de sécurité et les directives. Le non-respect des avertissements et des directives pourrait se solder par un choc électrique, un incendie et/ou une blessure grave.

CONSERVER TOUS LES AVERTISSEMENTS ET TOUTES LES DIRECTIVES POUR UN USAGE ULTÉRIEUR

Le terme « outil électrique » cité dans les avertissements se rapporte à votre outil électrique à alimentation sur secteur (avec fil) ou par piles (sans fil).

1) SÉCURITÉ DU LIEU DE TRAVAIL

- Tenir l'aire de travail propre et bien éclairée.** Les lieux encombrés ou sombres sont propices aux accidents.
- Ne pas faire fonctionner d'outils électriques dans un milieu déflagrant, tel qu'en présence de liquides, de gaz ou de poussières inflammables.** Les outils électriques produisent des étincelles qui pourraient enflammer la poussière ou les vapeurs.
- Éloigner les enfants et les personnes à proximité pendant l'utilisation d'un outil électrique.** Une distraction pourrait en faire perdre la maîtrise à l'utilisateur.

2) SÉCURITÉ EN MATIÈRE D'ÉLECTRICITÉ

- Les fiches des outils électriques doivent correspondre à la prise. Ne jamais modifier la fiche d'aucune façon. Ne jamais utiliser de fiche d'adaptation avec un outil électrique mis à la terre.** Le risque de choc électrique sera réduit par l'utilisation de fiches non modifiées correspondant à la prise.
- Éviter tout contact physique avec des surfaces mises à la terre comme des tuyaux, des radiateurs, des cuisinières et des réfrigérateurs.** Le risque de choc électrique est plus élevé si votre corps est mis à la terre.
- Ne pas exposer les outils électriques à la pluie ou à l'humidité.** La pénétration de l'eau dans un outil électrique augmente le risque de choc électrique.

d) Ne pas utiliser le cordon de façon abusive. Ne jamais utiliser le cordon pour transporter, tirer ou débrancher un outil électrique. Tenir le cordon éloigné de la chaleur, de l'huile, des bords tranchants et des pièces mobiles. Les cordons endommagés ou enchevêtrés augmentent les risques de choc électrique.

e) Pour l'utilisation d'un outil électrique à l'extérieur, se servir d'une rallonge convenant à cette application. L'utilisation d'une rallonge conçue pour l'extérieur réduira les risques de choc électrique.

f) S'il est impossible d'éviter l'utilisation d'un outil électrique dans un endroit humide, brancher l'outil dans une prise ou sur un circuit d'alimentation dotés d'un disjoncteur de fuite à la terre (GFCI). L'utilisation de ce type de disjoncteur réduit les risques de choc électrique.

3) SÉCURITÉ PERSONNELLE

- Être vigilant, surveiller le travail effectué et faire preuve de jugement lorsqu'un outil électrique est utilisé. Ne pas utiliser d'outil électrique en cas de fatigue ou sous l'influence de drogues, d'alcool ou de médicaments.** Un simple moment d'inattention en utilisant un outil électrique peut entraîner des blessures corporelles graves.
- Utiliser des équipements de protection individuelle. Toujours porter une protection oculaire.** L'utilisation d'équipements de protection comme un masque antipoussière, des chaussures antidérapantes, un casque de sécurité ou des protecteurs auditifs lorsque la situation le requiert réduira les risques de blessures corporelles.
- Empêcher les démarrages intempestifs. S'assurer que l'interrupteur se trouve à la position d'arrêt avant de relier l'outil à une source d'alimentation et/ou d'insérer un bloc-piles, de ramasser ou de transporter l'outil.** Transporter un outil électrique alors que le doigt repose sur l'interrupteur ou brancher un outil électrique dont l'interrupteur est à la position de marche risque de provoquer un accident.
- Retirer toute clé de réglage ou clé avant de démarrer l'outil.** Une clé ou une clé de réglage attachée à une partie pivotante de l'outil électrique peut provoquer des blessures corporelles.
- Ne pas trop tendre les bras. Conserver son équilibre en tout temps.** Cela permet de mieux maîtriser l'outil électrique dans les situations imprévues.
- S'habiller de manière appropriée. Ne pas porter de vêtements amples ni de bijoux. Garder les cheveux, les vêtements et les gants à l'écart des pièces mobiles.** Les vêtements amples, les bijoux ou les cheveux longs risquent de rester coincés dans les pièces mobiles.
- Si des composants sont fournis pour le raccordement de dispositifs de dépoussiérage et de ramassage, s'assurer que ceux-ci sont bien raccordés et utilisés.** L'utilisation d'un dispositif de dépoussiérage peut réduire les dangers engendrés par les poussières.

4) UTILISATION ET ENTRETIEN D'UN OUTIL ÉLECTRIQUE

- Ne pas forcer un outil électrique. Utiliser l'outil électrique approprié à l'application.** L'outil électrique approprié effectuera un meilleur travail, de façon plus sûre et à la vitesse pour laquelle il a été conçu.
- Ne pas utiliser un outil électrique dont l'interrupteur est défectueux.** Tout outil électrique dont l'interrupteur est défectueux est dangereux et doit être réparé.
- Débrancher la fiche de la source d'alimentation et/ou du bloc-piles de l'outil électrique avant de faire tout réglage ou changement d'accessoire ou avant de ranger l'outil.** Ces mesures préventives réduisent les risques de démarrage accidentel de l'outil électrique.
- Ranger les outils électriques hors de la portée des enfants et ne permettre à aucune personne n'étant pas familière avec un outil électrique ou son mode d'emploi d'utiliser cet outil.** Les outils électriques deviennent dangereux entre les mains d'utilisateurs inexpérimentés.
- Entretien des outils électriques. Vérifier si les pièces mobiles sont mal alignées ou coincées, si des pièces sont brisées ou présentent toute autre condition susceptible de nuire au bon fonctionnement de l'outil électrique. En cas de dommage, faire réparer l'outil électrique avant toute nouvelle utilisation.** Beaucoup d'accidents sont causés par des outils électriques mal entretenus.
- S'assurer que les outils de coupe sont aiguisés et propres.** Les outils de coupe bien entretenus et affûtés sont moins susceptibles de se coincer et sont plus faciles à maîtriser.
- Utiliser l'outil électrique, les accessoires, les forets, etc. conformément aux présentes directives en tenant compte des conditions de travail et du travail à effectuer.** L'utilisation d'un outil électrique pour toute opération autre que celle pour laquelle il a été conçu est dangereuse.

5) RÉPARATION

- Faire réparer l'outil électrique par un réparateur professionnel en n'utilisant que des pièces de rechange identiques.** Cela permettra de maintenir une utilisation sécuritaire de l'outil électrique.

Signes de sécurité additionnelles propres aux marteaux rotatifs

- Porter un dispositif de protection auditif.** Le bruit en résultant pourrait occasionner une perte de l'acuité auditive.
- Utiliser les poignées auxiliaires fournies avec l'outil.** Une perte de contrôle de l'outil pourrait occasionner des dommages corporels.
- Tenir l'outil par les surfaces isolées prévues à cet effet pendant toute utilisation où l'organe de coupe pourrait entrer en contact avec des fils électriques cachés ou son propre cordon.** Tout contact avec un fil sous tension met les parties métalliques exposées de l'outil sous tension et électrocute l'utilisateur.
- Utiliser des serre-joints, ou tout autre moyen, pour fixer et immobiliser le matériau sur une surface stable.** Tenir la pièce à la main ou contre son corps offre une stabilité insuffisante qui pourrait vous en faire perdre le contrôle.
- Porter des lunettes de protection ou toute autre protection oculaire.** Le martelage pourrait faire voltiger des éclats. Ces particules volantes pourraient occasionner des dommages oculaires permanents. Porter un masque anti-poussières ou un appareil de protection des voies respiratoires pour toute application productrice de poussières. Une protection auditive peut s'avérer nécessaire pour la plupart des applications.
- Maintenir systématiquement l'outil fermement. Ne pas tenter d'utiliser cet outil sans le maintenir à deux mains.** Il est recommandé d'utiliser systématiquement la poignée latérale. Le fait d'utiliser cet outil à une main pourra vous en faire perdre le contrôle. Traverser ou rencontrer des matériaux durs comme les armatures peut aussi s'avérer dangereux. Resserrer soigneusement la poignée latérale avant toute utilisation.
- Utiliser le marteau seulement pour des applications de ciselage léger.
- L'interrupteur avant/arrière doit être en marche avant pour le ciselage.
- Ne pas utiliser l'outil pour mélanger ou pomper tout liquide facilement combustible ou explosif (benzène, alcool, etc.)
- Ne pas mélanger ou remuer des liquides classifiés inflammables.
- Ne pas utiliser cet outil pendant des périodes de temps prolongées.** Les vibrations causées par la percussion peuvent poser des risques pour les mains ou les bras. Porter des gants pour amortir les vibrations, et pour limiter les risques, faire des pauses fréquentes.
- Ne pas remettre à neuf les forets soi-même.** La remise à neuf de tout burin doit être effectuée par un spécialiste agréé. Tout burin remis à neuf incorrectement pose des risques de dommages corporels.
- Porter des gants lors de l'utilisation de l'outil ou le changement de mèche.** Les parties métalliques accessibles de l'outil et des mèches/forets pourraient s'avérer brûlantes lors de l'utilisation. De petits débris de matériau pourraient aussi blesser les mains nues.
- Attendre systématiquement l'arrêt complet de la mèche/foret avant de déposer l'outil où que ce soit.** Des forets/mèches en rotation posent des risques de dommages corporels.
- Ne pas donner des coups de marteau sur des forets/mèches coincés pour les déloger.** Des fragments de métal ou de matériau pourraient être éjectés et causer des dommages corporels.
- Les burins légèrement usés peuvent être réaffûtés.**
- Maintenir le cordon d'alimentation à l'écart d'une mèche en rotation. Ne pas enrouler le cordon autour d'une partie quelconque de votre corps.** Un cordon électrique enroulé autour d'une mèche en rotation pose des risques de dommages corporels et de perdre le contrôle de l'outil.
- Prendre des précautions à proximité des événements, car ils cachent des pièces mobiles.** Vêtements amples, bijoux ou cheveux longs risquent de rester coincés dans ces pièces mobiles.
- Pour la sécurité de l'utilisateur, utiliser une rallonge de calibre adéquat (AWG, American Wire Gauge [calibrage américain normalisé des fils électriques]).** Plus le calibre est petit, et plus sa capacité est grande. Un calibre 16, par exemple, a plus de capacité qu'un calibre 18. L'usage d'une rallonge de calibre insuffisant causera une chute de tension entraînant perte de puissance et surchauffe. Si plusieurs rallonges sont nécessaires pour obtenir une certaine longueur, s'assurer que chaque rallonge présente au moins le calibre de fil minimum. Le tableau ci-dessous illustre les calibres à utiliser selon la longueur de rallonge et l'intensité nominale indiquée sur la plaque signalétique. En cas de doute, utiliser le calibre suivant. Plus le calibre est petit, plus la rallonge peut supporter de courant.

Calibres minimaux des rallonges						
		Volts	Longueur totale de cordon en mètres (pieds)			
Intensité (en ampères)		120V	7,6 (25)	15,2 (50)	30,5 (100)	45,7 (150)
		240V	15,2 (50)	30,5 (100)	61,0 (200)	91,4 (300)
Plus de	Pas plus de	AWG				
0	6		18	16	16	14
6	10		18	16	14	12
10	12		16	16	14	12
12	16		14	12	Non recommandé	

⚠ AVERTISSEMENT : *Ne jamais utiliser de solvants ou tout autre produit chimique decapant pour nettoyer las partes non métalliques de l'outil. Ces produits chimiques pourraient atacar los materiales plásticos utilizados. Utilisez un chiffon humidifié avec de l'eau et un savon doux. S'assurer qu'aucun liquide ne pénètre dans l'outil ; ne jamais immerger aucune partie de l'outil dans un liquide.*

Lubrification

Votre outil a été parfaitement lubrifié avant son départ d'usine. Entre deux à six mois, selon la fréquence d'utilisation, amenez ou envoyez votre outil dans un centre de réparation agréé DEWALT pour entretien, inspection et lubrification complets. Les outils utilisés constamment pour des travaux de production nécessiteront d'être lubrifiés plus souvent. Les outils inutilisés pendant des périodes prolongées doivent être relubrifiés avant réutilisation.

Accesores

⚠ AVERTISSEMENT : Comme les accessoires autres que ceux fournis par DEWALT n'ont pas été testés avec ce produit, leur utilisation avec cet appareil pourrait comporter un danger. Pour réduire tout risque de dommages corporels, seuls des accessoires DEWALT recommandés doivent être utilisés avec cet appareil.

Les accessoires recommandés pour cet outil sont vendus séparément chez les distributeurs locaux ou dans les centres de réparation agréés. Si vous avez besoin d'aide pour localiser ces accessoires, veuillez contacter DEWALT Industrial Tool Co., 701 East Joppa Road, Baltimore, MD 21286 ou appeler 1-800-4-DEWALT (1-800-433-9258) ou vous rendre sur notre site www.dewalt.com.

CAPACITÉS MAXIMALES RECOMMANDÉES	
D25012, D25013, D25023	
Maçonnerie	22 mm (7/8 po)
Acier	13 mm (1/2 po)
Bois	30 mm (1-1/8 po)
CAPACITÉ OPTIMALE	
Maçonnerie	4 mm–13 mm (5/32 po–1/2 po)

Réparations

Pour assurer la SÉCURITÉ et la FIABILITÉ du produit, les réparations, l'entretien et les réglages (y compris l'inspection et le remplacement de la brosse) doivent être réalisés par un centre de réparation en usine DEWALT, un centre de réparation autorisé DEWALT ou par un personnel de réparation professionnel. Toujours utiliser des pièces de rechange identiques.

Garantie limitée trois ans

DEWALT réparera gratuitement tous les problèmes dus à des défauts de matériau ou de fabrication pendant trois ans à compter de la date d'achat. Cette garantie ne couvre pas des défaillances de pièce dues à une usure normale ou à une mauvaise utilisation de l'outil. Pour plus de détails relatifs à la couverture de la garantie et aux réparations sous garantie, visiter le site Web www.dewalt.com ou composer le 1 (800) 4-DEWALT (1 (800) 433-9258). Cette garantie ne s'applique pas aux accessoires ni aux dommages causés par des réparations réalisées ou tentées par des tiers. Cette garantie vous accorde des droits légaus spécifiques et il est possible que vous ayez d'autres droits qui varient d'un État ou d'une province à l'autre.

En plus de la garantie, les outils DEWALT sont couverts par notre :

SERVICE D'ENTRETIEN GRATUIT DE 1 AN

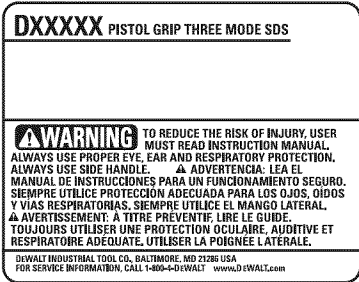
DEWALT entretiendra l'outil et remplacera les pièces usées par une utilisation normale et ce, gratuitement, à tout instant pendant la première année à compter de la date d'achat.

GARANTIE DE REMBOURSEMENT DE 90 JOURS

Si vous n'êtes pas entièrement satisfait des performances de votre outil électrique, laser ou de votre cloueuse DEWALT pour quelque raison que ce soit, vous pouvez le retourner accompagné d'un reçu dans les 90 jours suivant la date d'achat et nous vous rembourserons entièrement – sans poser de questions.

AMÉRIQUE LATINE : cette garantie ne s'applique pas aux produits vendus en Amérique latine. Pour ceux-ci, veuillez consulter les informations relatives à la garantie spécifique présente dans l'emballage, appeler l'entreprise locale ou consulter le site Web pour les informations relatives à cette garantie.

REMPACEMENT GRATUIT DES ÉTIQUETTES D'AVERTISSEMENT : si les étiquettes d'avertissement deviennent illisibles ou sont manquantes, composer le 1 (800) 4-DEWALT pour en obtenir le remplacement gratuit.



CARACTÉRISTIQUES TECHNIQUES

	D25012	D25013, D25023
Tension :	120 V CA~	120 V CA~
Intensité (en ampères) :	6,0 A	6,0A
Fréquence :	60 Hz	60 Hz
Watts	650	650
R/MIN :	0–1 550/min	0–1 550/min
Battements par minute :	0–4 150	0–4 550

Definiciones: Normas de seguridad

Las siguientes definiciones describen el nivel de gravedad de cada palabra de señal. Lea el manual y preste atención a estos símbolos.

⚠PELIGRO: indica una situación de peligro inminente que, si no se evita, provocará **la muerte o lesiones graves**.

⚠ADVERTENCIA: indica una situación de peligro potencial que, si no se evita, **podría** provocar **la muerte o lesiones graves**.

⚠ATENCIÓN: indica una situación de peligro potencial que, si no se evita, **posiblemente** provocaría **lesiones leves o moderadas**.

AVISO: se refiere a una práctica **no relacionada a lesiones corporales** que de no evitarse **puede** resultar en **daños a la propiedad**.

SI TIENE ALGUNA DUDA O ALGÚN COMENTARIO SOBRE ÉSTA U OTRA HERRAMIENTA DEWALT, LLÁMENOS AL NÚMERO GRATUITO: **1-800-4-DEWALT (1-800-433-9258)**

⚠ ADVERTENCIA: Para reducir el riesgo de lesiones, lea el manual de instrucciones.

Advertencias generales de seguridad para herramientas eléctricas

⚠ADVERTENCIA! *Lea todas las advertencias de seguridad e instrucciones El incumplimiento de las advertencias e instrucciones puede provocar descargas eléctricas, incendios o lesiones graves.*

CONSERVE TODAS LAS ADVERTENCIAS E INSTRUCCIONES PARA FUTURAS CONSULTAS

El término “herramienta eléctrica” incluido en las advertencias hace referencia a las herramientas eléctricas operadas con corriente (con cable eléctrico) o a las herramientas eléctricas operadas con baterías (inalámbricas).

1) SEGURIDAD EN EL ÁREA DE TRABAJO

- Mantenga el área de trabajo limpia y bien iluminada.* Las áreas abarrotadas y oscuras propician accidentes.
- No opere las herramientas eléctricas en atmósferas explosivas, como ambientes donde haya polvo, gases o líquidos inflamables.* Las herramientas eléctricas originan chispas que pueden encender el polvo o los vapores.
- Mantenga alejados a los niños y a los espectadores de la herramienta eléctrica en funcionamiento.* Las distracciones pueden provocar la pérdida de control.

2) SEGURIDAD ELÉCTRICA

- Los enchufes de la herramienta eléctrica deben adaptarse al tomacorriente. Nunca modifique el enchufe de ninguna manera. No utilice ningún enchufe adaptador con herramientas eléctricas con conexión a tierra.* Los enchufes no modificados y que se adaptan a los tomacorrientes reducirán el riesgo de descarga eléctrica.
- Evite el contacto corporal con superficies con descargas a tierra como, por ejemplo, tuberías, radiadores, cocinas eléctricas y refrigeradores.* Existe mayor riesgo de descarga eléctrica si su cuerpo está puesto a tierra.
- No exponga las herramientas eléctricas a la lluvia o a condiciones de humedad.* Si entra agua a una herramienta eléctrica, aumentará el riesgo de descarga eléctrica.
- No maltrate el cable. Nunca utilice el cable para transportar, tirar o desenchufar la herramienta eléctrica. Mantenga el cable alejado del calor, el aceite, los bordes*

filosos y las piezas móviles. Los cables dañados o enredados aumentan el riesgo de descarga eléctrica.

e) Al operar una herramienta eléctrica en el exterior, utilice un cable prolongador adecuado para tal uso. Utilice un cable adecuado para uso en exteriores a fin de reducir el riesgo de descarga eléctrica.

f) Si el uso de una herramienta eléctrica en un lugar húmedo es imposible de evitar, utilice un suministro protegido con un interruptor de circuito por falla a tierra (GFCI). El uso de un GFCI reduce el riesgo de descargas eléctricas.

3) SEGURIDAD PERSONAL

- Permanezca alerta, controle lo que está haciendo y utilice el sentido común cuando emplee una herramienta eléctrica. No utilice una herramienta eléctrica si está cansado o bajo el efecto de drogas, alcohol o medicamentos.* Un momento de descuido mientras se opera una herramienta eléctrica puede provocar lesiones personales graves.
- Utilice equipos de protección personal. Siempre utilice protección para los ojos.* En las condiciones adecuadas, el uso de equipos de protección, como máscaras para polvo, calzado de seguridad antideslizante, cascos o protección auditiva, reducirá las lesiones personales.
- Evite el encendido por accidente. Asegúrese de que el interruptor esté en la posición de apagado antes de conectarlo a la fuente de energía o paquete de baterías, o antes de levantar o transportar la herramienta.* Transportar herramientas eléctricas con el dedo apoyado en el interruptor o enchufar herramientas eléctricas con el interruptor en la posición de encendido puede propiciar accidentes.
- Retire la clavija de ajuste o la llave de tuercas antes de encender la herramienta eléctrica.* Una llave de tuercas o una clavija de ajuste que quede conectada a una pieza giratoria de la herramienta eléctrica puede provocar lesiones personales.
- No se estire. Conserve el equilibrio y párese adecuadamente en todo momento.* Esto permite un mejor control de la herramienta eléctrica en situaciones inesperadas.
- Use la vestimenta adecuada. No use ropas holgadas ni joyas. Mantenga el cabello, la ropa y los guantes alejados de las piezas en movimiento.* Las ropas holgadas, las joyas o el cabello largo pueden quedar atrapados en las piezas en movimiento.
- Si se suministran dispositivos para la conexión de accesorios con fines de recolección y extracción de polvo, asegúrese de que estén conectados y que se utilicen correctamente.* El uso de dispositivos de recolección de polvo puede reducir los peligros relacionados con el polvo.

4) USO Y MANTENIMIENTO DE LA HERRAMIENTA ELÉCTRICA

- No fuerce la herramienta eléctrica. Utilice la herramienta eléctrica correcta para el trabajo que realizará.* Si se la utiliza a la velocidad para la que fue diseñada, la herramienta eléctrica correcta permite trabajar mejor y de manera más segura.
- No utilice la herramienta eléctrica si no puede encenderla o apagarla con el interruptor.* Toda herramienta eléctrica que no pueda ser controlada mediante el interruptor es peligrosa y debe repararse.
- Desconecte el enchufe de la fuente de energía o el paquete de baterías de la herramienta eléctrica antes de realizar ajustes, cambiar accesorios o almacenar la herramienta eléctrica.* Estas medidas de seguridad preventivas reducen el riesgo de encender la herramienta eléctrica en forma accidental.
- Guarde la herramienta eléctrica que no esté en uso fuera del alcance de los niños y no permita que otras personas no familiarizadas con ella o con estas instrucciones operen la herramienta.* Las herramientas eléctricas son peligrosas si son operadas por usuarios no capacitados.
- Realice el mantenimiento de las herramientas eléctricas. Revise que no haya piezas en movimiento mal alineadas o trabadas, piezas rotas o cualquier otra situación que pueda afectar el funcionamiento de la herramienta eléctrica. Si encuentra daños, haga reparar la herramienta eléctrica antes de utilizarla.* Se producen muchos accidentes a causa de las herramientas eléctricas que carecen de un mantenimiento adecuado.
- Mantenga las herramientas de corte afiladas y limpias.* Las herramientas de corte con mantenimiento adecuado y con los bordes de corte afilados son menos propensas a trabarse y son más fáciles de controlar.
- Utilice la herramienta eléctrica, los accesorios y las brocas de la herramienta, etc. de acuerdo con estas instrucciones y teniendo en cuenta las condiciones de trabajo y el trabajo que debe realizarse.* El uso de la herramienta eléctrica para operaciones diferentes de aquéllas para las que fue diseñada podría originar una situación peligrosa.

5) MANTENIMIENTO

- Solicite a una persona calificada en reparaciones que realice el mantenimiento de su herramienta eléctrica y que sólo utilice piezas de repuesto idénticas.* Esto garantizará la seguridad de la herramienta eléctrica.

Instrucciones de seguridad adicionales para los rotomartillos

- Utilice protectores auditivos.* La exposición a ruidos puede causar pérdida auditiva.
- Utilice los mangos auxiliares que vienen con la herramienta.* Perder el control de la herramienta podría causar lesiones corporales.
- Sostenga la herramienta eléctrica por sus superficies de empuñadura aisladas cuando realice una operación en la cual la herramienta para cortar pudiera entrar en contacto con instalaciones eléctricas ocultas o con su propio cable.* El contacto con un conductor “activo” hará que las piezas metálicas de la herramienta que estén expuestas a él conduzcan electricidad y que el operador reciba una descarga eléctrica.
- Use abrazaderas u otra manera práctica de fijar y sujetar la pieza de trabajo a una plataforma estable.* Sujetar la pieza con la mano o contra el cuerpo es inestable y resultará en que pierda el control.
- Lleve lentes de seguridad u otra protección ocular.* Las operaciones de martilleo provocan la expulsión de virutas. Las partículas despedidas pueden provocar lesiones irreversibles en los ojos. Lleve una mascarilla antipolvo o un respirador cuando realice aplicaciones que generen polvo. En la mayoría de las aplicaciones puede ser necesaria una protección auditiva.
- Mantenga siempre la herramienta bien sujeta. No opere la herramienta si no puede sujetarla con ambas manos.* Es recomendable usar siempre el mango lateral. Si opera esta herramienta con una sola mano, perderá el control de la misma. Atravesar o topar con materiales duros, tales como un refuerzo posterior, también podría resultar peligroso. Ajuste bien el mango lateral antes de usar la herramienta.
- El martillo sólo debe utilizarse para aplicaciones de tallado ligeras.*
- El conmutador de avance/reversa debe encontrarse en posición de avance cuando use la herramienta para tallar.*
- No utilice esta herramienta para mezclar o bombear con mayor facilidad líquidos combustibles o explosivos (bencina, alcohol, etc.).*
- No mezcle ni remueva líquidos categorizados como inflamables.*
- No opere esta herramienta durante períodos largos de tiempo.* La vibración provocada por la acción de percusión puede ser peligrosa para sus manos y brazos. Utilice guantes para mayor amortiguación y descanse con frecuencia para limitar el riesgo de exposición.
- No renueve las brocas usted mismo.* La renovación de las brocas debe realizarla un especialista autorizado. Una broca mal renovada puede provocar lesiones.
- Lleve guantes al operar la herramienta y al cambiar las brocas.* Las piezas metálicas de la herramienta y las brocas pueden calentarse mucho durante la operación. Los pequeños trozos de material roto pueden dañar las manos desprotegidas.
- Nunca suelte la herramienta hasta que la broca haya dejado de girar totalmente.* Las brocas en movimiento pueden provocar lesiones.
- Si una broca se atasca, no la golpee con un martillo para desbloquearla.* Podrían saltar fragmentos de metal o virutas de material y provocar lesiones.
- Las brocas ligeramente desgastadas pueden afilarse de nuevo.*
- Mantenga el cable alejado de la broca en movimiento. No enrolle el cable alrededor de ninguna parte de su cuerpo.* Un cable eléctrico enrollado alrededor de una broca que gira puede provocar lesiones y pérdida de control.
- Los orificios de ventilación suelen cubrir piezas en movimiento, por lo que también se deben evitar.* Las partes móviles pueden atrapar las prendas de vestir sueltas, las joyas y el cabello.
- Los hilos del alargador deben ser de un calibre apropiado (AWG o American Wire Gauge) para su seguridad.* Mientras menor sea el calibre del hilo, mayor la capacidad del cable. Es decir, un hilo calibre 16 tiene mayor capacidad que uno de 18. Un cable de un calibre insuficiente causará una caída en la tensión de la línea dando por resultado una pérdida de energía y sobrecalentamiento. Cuando se utilice más de un alargador para completar el largo total, asegúrese que los hilos de cada alargador tengan el calibre mínimo. La tabla siguiente muestra el tamaño correcto a utilizar, dependiendo de la longitud del cable y del amperaje nominal de la placa de identificación. Si tiene dudas sobre cuál calibre usar, use un calibre mayor. Cuanto más pequeño sea el número del calibre, más resistente será el cable.

Calibre mínimo para juegos de cables						
Capacidad nominal en amperios		Voltios	Largo total del cable en metros (en pies)			
		120V	7,6 (25)	15,2 (50)	30,5 (100)	45,7 (150)
		240V	15,2 (50)	30,5 (100)	61,0 (200)	91,4 (300)
Desde	Hasta	AWG				
0	6	18	16	16	14	
6	10	18	16	14	12	
10	12	16	16	14	12	
12	16	14	12	No recomendado		

NOTA: No sobrecaliente la broca (decoloración) mientras la afila de nuevo. Las brocas muy gastadas precisan un reforjado. No reendurezca ni temple la broca.

⚠ADVERTENCIA: Use **SIEMPRE** lentes de seguridad. Los anteojos de diario **NO SON** lentes de seguridad. Utilice además una máscara para la cara o guardapolvo si la operación de corte genera demasiado polvo. SIEMPRE LLEVE EQUIPO DE SEGURIDAD CERTIFICADO:

- Protección ocular ANSI Z87.1 (CAN/CSA Z94.3),
- Protección auditiva ANSI S12.6 (S3.19),
- Protección respiratoria NIOSH/OSHA/MSHA.

⚠ADVERTENCIA: Parte del polvo generado al lijar, serrar, esmerilar o taladrar, así como al realizar otras actividades del sector de la construcción, contienen productos químicos que pueden producir cáncer, defectos congénitos u otras afecciones reproductivas. Algunos ejemplos de estos químicos son:

- plomo procedente de pinturas basadas en plomo,
- óxido de silicio cristalino procedente de ladrillos, cemento y otros productos de mampostería, y
- arsénico o cromo procedente de madera tratada químicamente.

Su riesgo de exposición a estos químicos varía, dependiendo de la frecuencia con la cual realiza usted este tipo de trabajo. Para reducir su exposición a estos químicos, trabaje en un lugar con buena ventilación y trabaje con equipo de seguridad aprobado, como máscaras antipolvo especialmente diseñadas para filtrar partículas microscópicas.


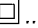

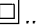
- Evite el contacto prolongado con polvo generado por el lijado, serruchado, pulido y taladrado mecánico y otras actividades de construcción. Vista ropas protectoras y lave las áreas de la piel expuestas con agua y jabón.** Si permite que el polvo se introduzca en la boca u ojos o quede sobre la piel, puede favorecer la absorción de productos químicos peligrosos.

⚠ADVERTENCIA: La utilización de esta herramienta puede generar polvo o dispersarlo, lo que podría causar daños graves y permanentes al sistema respiratorio, así como otras lesiones. Siempre use protección respiratoria aprobada por NIOSH (Instituto Nacional de Seguridad y Salud en el Trabajo) u OSHA (Administración de Seguridad y Salud en el Trabajo) apropiada para la exposición al polvo. Dirija las partículas en dirección contraria a la cara y el cuerpo.

⚠ADVERTENCIA: Siempre use protección ocular. Todos los usuarios y personas circunstantes deben llevar protección ocular en conformidad con ANSI Z87.1.

⚠ADVERTENCIA: Siempre lleve la debida protección auditiva personal en conformidad con ANSI S12.6 (S3.19) durante el uso de esta herramienta. Bajo algunas condiciones y duraciones de uso, el ruido producido por este producto puede contribuir a la pérdida auditiva.

- La etiqueta de su herramienta puede incluir los siguientes símbolos. A continuación se indican los símbolos y sus definiciones:

V.....	voltios	A.....	amperios
Hz.....	hercios	W.....	vatios
min	minutos	~	corriente alterna
==	corriente directa	⚡	corriente alterna o directa
	Construcción de clase I (tierra)	<i>n</i> o	velocidad sin carga
	Construcción de clase II (doble aislamiento)		terminal de conexión a tierra
<i>.../min</i>	por minuto		símbolo de advertencia de seguridad
		BPM.....	golpes por minuto
		RPM	revoluciones por minuto

Motor

Esta herramienta DEWALT está impulsada por un motor fabricado por DEWALT. Compruebe que el suministro eléctrico concuerde con el indicado en la placa de características. Una reducción del voltaje superior al 10% provocará pérdida de potencia y sobrecalentamiento. Todas las herramientas DEWALT se prueban de fábrica.

COMPONENTES (FIG. 1)

⚠ADVERTENCIA: Nunca modifique la herramienta eléctrica, ni tampoco ninguna de sus piezas. Podría producir lesiones corporales.

- | | |
|---|--|
| A. Gatillo conmutador de velocidad variable | G. Selector de modo |
| B. Mango principal | H. Palanca de reversa |
| C. Mango lateral | I. Botón de bloqueo en encendido (sólo con D25012, D25013) |
| D. Varilla de profundidad | J. Botón de liberación de la varilla de profundidad |
| E. Broquero SDS Plus® | |
| F. Interruptor selector de modo | |

USO DEBIDO

Estos rotomartillos para trabajo pesado han sido diseñados para el taladrado, el taladrado con el percusor, el atornillado y el corte por capas ligero a un nivel profesional en varios sitios de trabajo (por ejemplo, sitios de construcción). **NO** utilice la herramienta en condiciones húmedas o en la presencia de líquidos o gases inflamables.

Estos rotomartillos para trabajo pesado son herramientas eléctricas profesionales. **NO** permita que un niño juegue con ellos. Si el operador no tiene experiencia operando esta herramienta, su uso deberá ser supervisado.

Mango lateral (Fig. 1)

⚠ADVERTENCIA: Para reducir el riesgo de lesiones corporales, **SIEMPRE** opere la herramienta con el mango lateral debidamente instalado y ajustado. El incumplimiento con lo anterior podría resultar en que el mango lateral se suelte durante la operación de la herramienta y que el operador pierda el control como consecuencia. Sostenga la herramienta con ambas manos para maximizar control.

El mango lateral viene ensamblado a este rotomartillo. El mango lateral (C) puede ser instalado para acomodar zurdos y diestros.

PARA AJUSTAR EL MANGO LATERAL

- Afloje el mango lateral (C) girándolo en el sentido contrario a las manecillas del reloj.
- Rote el mango lateral a la posición deseada.
- Ajuste el mango lateral girándolo en el sentido de las manillas del reloj.

PARA CAMBIAR DE LADO

Para usuarios diestros: deslice el soporte del mango lateral por encima del broquero, con el pomo hacia la izquierda.

Para usuarios zurdos: deslice el soporte del mango lateral por encima del broquero, con el pomo hacia la derecha.

Interruptor de gatillo (Fig. 1)

Para encender el rotomartillo, presione el interruptor de gatillo (A). Para detener el rotomartillo, suelte el interruptor.

NOTA: Use velocidades menores para perforar el comienzo de orificios sin guía para indicar el centro, perforar en metal, plástico o cerámica o atornillar. Las velocidades altas son preferibles para obtener la máxima eficacia en la perforación de mamposterías.

VELOCIDAD VARIABLE

El gatillo conmutador de velocidad variable (A) permite controlar la velocidad. Cuanto más fuerte se pulse el gatillo conmutador, mayor será la velocidad de taladrado.

BOTÓN DE BLOQUEO EN ENCENDIDO (SÓLO CON D25012, D25013)

⚠ADVERTENCIA: Suelta el mecanismo de trabajo antes de desconectar la clavija de la toma de corriente. Si no lo hace el rotomartillo se encenderá cuando vuelva a conectarlo, con el posible riesgo de daños o lesiones.

El botón de bloqueo en encendido (I) se usa sólo cuando el rotomartillo está estacionario, montado en una base de soporte vertical o usado en aplicaciones de corte por capas.

Asegúrese de que el botón de bloqueo en encendido se mueva con normalidad cada vez que desee usar la herramienta.

Para una operación continua, presione y sostenga el interruptor de gatillo (A); presione el botón de bloqueo en encendido (I); suelte el interruptor de gatillo y luego suelte el botón de bloqueo en encendido. La herramienta seguirá funcionando.

Para detener la herramienta cuando esté en funcionamiento continuo, presione y suelte el interruptor de gatillo rápidamente.

Palanca de reversa (Fig. 1)

La palanca de reversa (H) se usa para invertir la marcha del rotomartillo con el fin de sacar clavos o desatascar brocas en el modo de sólo taladrado.

⚠ATENCIÓN: Cuando invierta la marcha para desatascar brocas, esté preparado para el fuerte par reactivo que se producirá.

Para invertir la marcha del rotomartillo, apáguelo y alinee la palanca de reversa (H) con la flecha amarilla que apunta hacia atrás (se ve sujetando el taladro en la posición de operación).

Para operar la unidad hacia delante, apague el rotomartillo y mueva la palanca de reversa (H) de forma que la flecha amarilla apunte hacia delante (se ve sujetando el taladro en la posición de operación).

Selector de modo (Fig. 2)

AVISO: La herramienta debe estar completamente parada antes de activar el botón del actuador de modo, a fin de evitar daños a la herramienta.

MODO DE SÓLO TALADRADO

Para utilizar el modo de sólo taladrado, presione el botón de selector de modo (F) y gire el selector de modo (G) de forma que la flecha amarilla apunte al correspondiente símbolo, tal como se muestra. Utilice el modo de sólo taladrado en madera, metal y plástico.

MODO DE TALADRO PERCUTOR

Para utilizar el modo de taladro percutor, presione el botón de selector de modo (F) y gire el selector de modo (G) de forma que la flecha amarilla apunte al correspondiente símbolo, tal como se muestra. Utilice este modo para perforar mamposterías.

MODO DE SÓLO MARTILLADO (D25013, D25023)

Para cincelados suaves, presione el botón de selector de modo (F) y gire el selector de modo (G) de forma que la flecha amarilla apunte al correspondiente símbolo, tal como se muestra.

NOTA: La flecha amarilla del selector de modo **DEBE** estar siempre alineada con alguno de los símbolos. No hay posiciones de operación entre ellos.

Broquero SDS Plus® (Fig. 1)

⚠ADVERTENCIA: Para reducir el riesgo de lesiones corporales graves, apague la herramienta y desconéctela de la fuente de alimentación antes de realizar ajustes o de quitar o poner accesorios.

⚠ADVERTENCIA: Peligro de quemaduras. SIEMPRE use guantes al cambiar las brocas. Las piezas metálicas de la herramienta y las brocas pueden calentarse mucho durante la operación. Los pequeños trozos de material roto pueden dañar las manos desprotegidas.

⚠ADVERTENCIA: No intente ajustar o soltar las brocas (ni ningún otro accesorio) sujetando la parte frontal del broquero y encendiendo la herramienta. Esto podría dañar el broquero y causar lesiones corporales.

Para insertar la broca, inserte el vástago aproximadamente 19 mm (3/4"), no más de 22 mm (7/8") en el broquero. Empuje y gire la broca hasta que encaje en la posición correcta. La broca quedará firmemente ajustada.

Para soltar la broca, tire hacia atrás del manguito (E) y retírela.

FUNCIONAMIENTO

⚠ADVERTENCIA: Para reducir el riesgo de lesiones corporales graves, apague la herramienta y desconéctela de la fuente de alimentación antes de realizar ajustes o de quitar o poner accesorios.

⚠ADVERTENCIA: Para reducir el riesgo de lesiones corporales, **SIEMPRE asegúrese de que la pieza de trabajo esté debidamente sujeta.** Si va a perforar un material delgado, utilice un bloque de madera como “respaldo” para evitar dañarlo.

⚠ADVERTENCIA: Para reducir el riesgo de lesiones corporales, **SIEMPRE opere la herramienta con el mango lateral debidamente instalado y ajustado.** El incumplimiento con lo anterior podría resultar en que el mango lateral se suelte durante la operación de la herramienta y que el operador pierda el control como consecuencia. Sostenga la herramienta con ambas manos para maximizar control.

Bien colocar las manos (Fig. 3)

⚠ADVERTENCIA: Para reducir el riesgo de lesiones personales, **SIEMPRE** coloque bien las manos, tal como se muestra.

⚠ADVERTENCIA: Para reducir el riesgo de lesiones personales, **SIEMPRE** debe de sujetar la herramienta correctamente para anticipar reacciones súbitas.

Mantenga una mano sobre el mango lateral (C) y la otra sobre el mango principal (B) para sujetar la máquina correctamente.

Embrague de sobrecarga

Si se trava o se engancha la broca, el embrague de sobrecarga interrumpe el trayecto del eje de la broca. Debido a las fuerzas resultantes, siempre debe de mantener las dos manos sobre la herramienta y adoptar una postura fija.

Taladros

Esta herramienta ha sido diseñada para el taladrado con el percusor en concreto, ladrillos y piedras. También puede usarlo para taladrar sin el percusor en madera, metal, cerámica y plástico.

Taladrado (Fig. 1)

⚠ADVERTENCIA: Para reducir el riesgo de lesiones corporales graves, apague la herramienta y desconéctela de la fuente de alimentación antes de realizar ajustes o de quitar o poner accesorios.

⚠ADVERTENCIA: Para reducir el riesgo de lesiones corporales, SIEMPRE asegúrese de que la pieza de trabajo esté debidamente sujeta. Si va a perforar un material delgado, utilice un bloque de madera como “respaldo” para evitar dañarlo.

Presione el botón de selector de modo (F) y gire el selector de modo (G) hasta que apunte al símbolo de la broca para el taladrado, al símbolo del martillo para usar el percusor o al símbolo del taladro percusor para el taladrado con el percusor.

FUNCIONAMIENTO DE TALADRADO

- Para MADERA, utilice brocas helicoidales, brocas de horquilla, brocas de berbiquí o brocas de sierra. Para Metal, utilice brocas helicoidales de acero para alta velocidad o brocas de sierra. Emplee un lubricante para corte cuando taladre en metales. Las excepciones son el hierro colado y el latón, que se deben taladrar en seco. Para MAMPOSTERÍA, use brocas con puntas de carburo o brocas de mampostería. Un flujo uniforme y suave de polvo indica que se está taladrando a la velocidad adecuada.
- Aplique presión al taladro en línea recta con la broca. Haga suficiente presión para que la broca siga perforando, pero no tanta como para que el motor se atasque o la broca se desvíe.
- Sujete el taladro firmemente para controlar la fuerza de torsión de la broca.
- ⚠ADVERTENCIA:** Si se sobrecarga el taladro, el motor podría atascarse y causar una torsión repentina. Siempre anticipe que esto suceda. Sujete firmemente el taladro con ambas manos para controlar la acción de torsión y evitar lesiones.
- SI EL TALADRO SE ATASCA**, esto probablemente se deberá a una sobrecarga. **SUELTE EL GATILLO DE INMEDIATO**, retire la broca de la pieza de trabajo y determine la causa del atascamiento. **NO APRIETE Y SUELTE REPETIDAMENTE EL GATILLO PARA INTENTAR DESATASCAR LA BROCA, YA QUE SE PODRÍA DAÑAR EL TALADRO.**
- Para evitar que se atasque el taladro o que atraviесе el material, reduzca la presión y deje ir suavemente la broca hacia el final del orificio.
- Haga funcionar el motor al retirar la broca del interior del orificio. Esto evitará que se atasque.
- Con los taladros de velocidad variable no hay necesidad de hacer una marca de centrado. Utilice una velocidad menor para comenzar el orificio y acelere, presionando más el gatillo, cuando el orificio tenga la profundidad suficiente para evitar que la broca se salga.

TALADRADO EN METAL

Se necesita un adaptador de broqueros de SDS Plus® a vástago redondo. Compruebe que la herramienta esté en modo de sólo taladrado. Inicie la perforación a baja velocidad y vaya aumentándola hasta la máxima potencia mientras aplica presión firme en la herramienta. El flujo uniforme y suave de virutas indica que se taladra a la velocidad adecuada. Emplee un lubricante para corte cuando taladre en metales. Las excepciones son el hierro colado y el latón, que se deben taladrar en seco.

NOTA: Se pueden hacer orificios grandes en acero [7.9 mm a 12.7 mm (5/16" a 1/2")]. Se pueden hacer con mayor facilidad si se taladra primero un orificio piloto [4 mm a 4.8 mm) (5/32" a 3/16"].

TALADRADO EN MADERA

Se necesita un adaptador de broqueros de SDS Plus® a vástago redondo. Compruebe que la herramienta esté en modo de sólo taladrado. Inicie la perforación a baja velocidad y vaya aumentándola hasta la máxima potencia mientras aplica presión firme en la herramienta. Se puede taladrar la madera con las mismas brocas helicoidales que se utilizan para el metal. Estas brocas pueden sobrecalentarse a menos que se saquen con frecuencia para limpiarlas de virutas. Para agujeros más grandes, utilice brocas de horquilla, brocas de berbiquí o brocas de sierra. Los trabajos susceptibles de astillarse deben respaldarse con un bloque de madera.

FUNCIONAMIENTO DE TALADRO PERCUTOR

- Cuando taladree, use la fuerza necesaria en el martillo para evitar que rebote excesivamente o que “sobrepase” la broca. Si usa demasiada fuerza, la velocidad de taladrado será menor, se sobrecalentará la herramienta y el índice de taladrado será menor también.
- Taladree en forma recta, manteniendo la broca en un ángulo recto en relación con la pieza. No ejerza presión lateral en la broca mientras taladree pues la broca podría atorarse y disminuir la velocidad de taladrado.
- Cuando perfore orificios profundos, si la velocidad del martillo empieza a disminuir, retire parcialmente la broca del orificio mientras la herramienta siga andando para ayudar a limpiar de desechos el orificio.
- Para mampostería, use brocas con puntas de carburo o brocas de mampostería. Un flujo uniforme y suave de polvo indica que se está taladrando a la velocidad adecuada.

Astillado y tallado (D25013, D25023)

- Para cambiar el taladro de percusión a la modalidad para tallar, inserte primero el cincel SDS Plus® y verifique que quede debidamente ajustado.
- Cuando cambie de modalidades entre la de taladrado de percusión y la de tallado, gire el cincel a la posición deseada. Si encuentra resistencia al cambiar la modalidad, voltee el cincel ligeramente para activar el bloqueador del husillo.

Varilla de profundidad (Fig. 4)

PARA AJUSTAR LA VARILLA DE PROFUNDIDAD

- Mantenga presionado el botón de liberación de la varilla de profundidad (J) sobre el mango lateral.
- Mueva la varilla de profundidad (D) de forma que la distancia entre el final de ésta y el final de la broca sea igual a la profundidad de taladrado deseada.
- Suelte el botón para fijar la varilla en su posición. Cuando utilice la varilla de profundidad, deténgase cuando el extremo de ésta alcance la superficie del material.

MANTENIMIENTO

⚠ADVERTENCIA: Para reducir el riesgo de lesiones corporales graves, apague la herramienta y desconéctela de la fuente de alimentación antes de realizar ajustes o de quitar o poner accesorios.

Limpieza

⚠ADVERTENCIA: Limpie la suciedad y el polvo de las rejillas de ventilación con aire seco al menos una vez por semana. Lleve protección ocular ANSI Z87.1 (CAN/CSA Z94.3) debida y protección respiratoria NIOSH/OSHA/MSHA debida cuando haga esto.

⚠ADVERTENCIA: Nunca utilice solventes u otros químicos fuertes cuando limpie las piezas no metálicas de la herramienta. Estos químicos pueden debilitar los materiales de plástico utilizados en estas piezas. Use un paño humedecido con agua y jabón suave. Jamás permita que le entre líquido a la herramienta; nunca sumerja ninguna parte de la herramienta.

Lubricación

Su herramienta fue debidamente lubricada antes de dejar la fábrica. Lleve o envíe la herramienta a un centro de servicio certificado en dos a seis meses, dependiendo del nivel de uso para que se le haga una limpieza e inspección minuciosa. Las herramientas utilizadas constantemente en tareas de producción pueden requerir una lubricación más frecuente. Las herramientas que no son utilizadas por períodos largos de tiempo deberían volverse a lubricar antes de usarse nuevamente.

Accesorios

⚠ADVERTENCIA: Como otros accesorios fuera de los ofrecidos por DEWALT, no han sido probados con este producto, el uso de tales accesorios con esta herramienta podría ser peligroso. Para reducir el riesgo de lesiones, sólo se deberían usar los accesorios recomendados por DEWALT con este producto.

Los accesorios recomendados para su herramienta están disponibles con un cargo adicional en su distribuidor local o en el centro de servicio autorizado. Si necesita ayuda para ubicar algún accesorio, por favor póngase en contacto con DEWALT Industrial Tool Co., 701 East Joppa Road, Baltimore, MD 21286, llame al 1-800-4-DEWALT (1-800-433-9258) o visite nuestro sitio web www.dewalt.com.

CAPACIDADES MÁXIMAS RECOMENDADAS

D25012, D25013, D25023

Mampostería	22 mm (7/8")
Acero	13 mm (1/2")
Madera	30 mm (1-1/8")

CAPACIDAD ÓPTIMA

Mampostería	4 mm–13 mm (5/32"–1/2")
-------------	-------------------------

Reparaciones

Para garantizar la SEGURIDAD y la CONFIABILIDAD, las reparaciones, el mantenimiento y los ajustes (incluida la inspección y reemplazo de cepillos) deben ser realizados por un centro de mantenimiento de fábrica de DEWALT, un centro de mantenimiento DEWALT autorizado u otro personal de mantenimiento calificado. Utilice siempre piezas de repuesto idénticas.

Póliza de Garantía

IDENTIFICACIÓN DEL PRODUCTO:

Sello o firma del Distribuidor.

Nombre del producto: _____ Mod./Cat.: _____

Marca: _____ Núm. de serie: _____

(Datos para ser llenados por el distribuidor)

Fecha de compra y/o entrega del producto: _____

Nombre y domicilio del distribuidor donde se adquirió el producto: _____

Este producto está garantizado por un año a partir de la fecha de entrega, contra cualquier defecto en su funcionamiento, así como en materiales y mano de obra empleados para su fabricación. Nuestra garantía incluye la reparación o reposición del producto y/o componentes sin cargo alguno para el cliente, incluyendo mano de obra, así como los gastos de transportación razonablemente erogados derivados del cumplimiento de este certificado.

Para hacer efectiva esta garantía deberá presentar su herramienta y esta póliza sellada por el establecimiento comercial donde se adquirió el producto, de no contar con ésta, bastará la factura de compra.

EXCEPCIONES.

Esta garantía no será válida en los siguientes casos:

- Cuando el producto se hubiese utilizado en condiciones distintas a las normales;
- Cuando el producto no hubiese sido operado de acuerdo con el instructivo de uso que se acompaña;
- Cuando el producto hubiese sido alterado o reparado por personas distintas a las enlistadas al final de este certificado.

Anexo encontrará una relación de sucursales de servicio de fábrica, centros de servicio autorizados y franquiciados en la República Mexicana, donde podrá hacer efectiva su garantía y adquirir partes, refacciones y accesorios originales.

Garantía limitada por tres años

DEWALT reparará, sin cargo, cualquier falla que surja de defectos en el material o la fabricación del producto, por hasta tres años a contar de la fecha de compra. Esta garantía no cubre fallas de las piezas causadas por su desgaste normal o abuso a la herramienta. Para mayores detalles sobre la cobertura de la garantía e información acerca de reparaciones realizadas bajo garantía, visítenos en www.dewalt.com o diríjase al centro de servicio más cercano. Esta garantía no aplica a accesorios o a daños causados por reparaciones realizadas o intentadas por terceros. Esta garantía le otorga derechos legales específicos, además de los cuales puede tener otros dependiendo del estado o la provincia en que se encuentre.

Además de la garantía, las herramientas DEWALT están cubiertas por:

1 AÑO DE SERVICIO GRATUITO

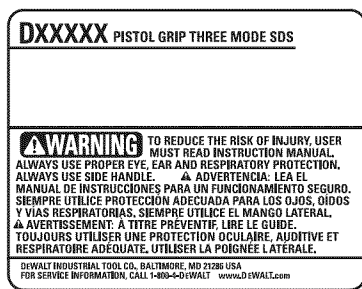
DEWALT mantendrá la herramienta y reemplazará las piezas gastadas por su uso normal, sin cobro, en cualquier momento durante un año a contar de la fecha de compra. Los artículos gastados por la clavadora, tales como la unidad de hoja y retorno del impulsador, no están cubiertas.

GARANTÍA DE REEMBOLSO DE SU DINERO POR 90 DÍAS

Si no está completamente satisfecho con el desempeño de su máquina herramienta, láser o clavadora DEWALT, cualquiera sea el motivo, podrá devolverlo hasta 90 días de la fecha de compra con su recibo y obtener el reembolso completo de su dinero – sin necesidad de responder a ninguna pregunta.

AMÉRICA LATINA: Esta garantía no se aplica a los productos que se venden en América Latina. Para los productos que se venden en América Latina, debe consultar la información de la garantía específica del país que viene en el empaque, llamar a la compañía local o visitar el sitio Web a fin de obtener esa información.

REEMPLAZO GRATUITO DE LAS ETIQUETAS DE ADVERTENCIAS: Si sus etiquetas de advertencia se vuelven ilegibles o faltan, llame al 1-800-4-DEWALT para que se le reemplacen gratuitamente.



PARA REPARACIÓN Y SERVICIO DE SUS HERRAMIENTAS ELÉCTRICAS, FAVOR DE DIRIGIRSE AL CENTRO DE SERVICIO MÁS CERCANO

CULIACAN, SIN

Bld.Emiliano Zapata 5400-1 Poniente
Col. San Rafael (667) 717 89 99

GUADALAJARA, JAL

Av. La Paz #1779 - Col. Americana Sector Juárez (33) 3825 6978

MEXICO, D.F.

Eje Central Lázaro Cárdenas No. 18
Local D, Col. Obrera (55) 5588 9377

MERIDA, YUC

Calle 63 #459-A - Col. Centro (999) 928 5038

MONTERREY, N.L.

Av. Francisco I. Madero 831 Poniente - Col. Centro (818) 375 23 13

PUEBLA, PUE

17 Norte #205 - Col. Centro (222) 246 3714

QUERETARO, QRO

Av. San Roque 274 - Col. San Gregorio (442) 2 17 63 14

SAN LUIS POTOSI, SLP

Av. Universidad 1525 - Col. San Luis (444) 814 2383

TORREON, COAH

Blvd. Independencia, 96 Pte. - Col. Centro (871) 716 5265

VERACRUZ, VER

Prolongación Díaz Mirón #4280 - Col. Remes (229) 921 7016

VILLAHERMOSA, TAB

Constitución 516-A - Col. Centro (993) 312 5111

PARA OTRAS LOCALIDADES:

Si se encuentra en México, por favor llame al (55) 5326 7100

Si se encuentra en U.S., por favor llame al

1-800-433-9258 (1-800 4-DEWALT)

ESPECIFICACIONES

	D25012	D25013, D25023
Voltaje:	c.a. ~ 120 V~	c.a. ~ 120 V
Amperaje:	6,0 A	6,0 A
Frecuencia:	60 Hz	60 Hz
Vatios	650	650
RPM:	0–1 550/min	0–1 550/min
Golpes por minuto:	0–4 150	0–4 550

SOLAMENTE PARA PROPÓSITO DE MÉXICO:
IMPORTADO POR: DEWALT S.A. DE C.V.
BOSQUES DE CIDROS, ACCESO RADIATAS NO.42
3A. SECCIÓN DE BOSQUES DE LAS LOMAS
DELEGACIÓN CUAJIMALPA,
05120, MÉXICO, D.F.
TEL. (52) 555-326-7100
R.F.C.: BDE810626-1W7

Para servicio y ventas consulte
"HERRAMIENTAS ELÉCTRICAS"
en la sección amarilla.

