
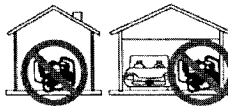
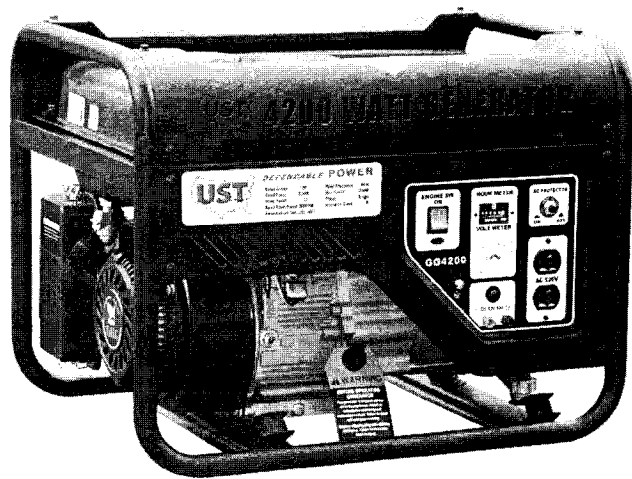


Owner's Manual

GG4200 Series Gasoline Generators

⚠ DANGER	
Using a generator indoors CAN KILL YOU IN MINUTES . Generator exhaust contains carbon monoxide. This is a poison you cannot see or smell.	
	
NEVER use inside a home or garage, EVEN IF doors and windows are open.	Only use OUTSIDE and far away from windows, doors, and vents.
⚠ PELIGRO	
Utilizar un generador dentro LE MATARA EN MINUTOS . El escape contiene monóxido de carbono, un gas tóxico usted no lo puede ver ni oler.	
	
NUNCA utilice en el hogar ni en áreas en parte encerradas tales como garajes.	SOLAMENTE uselo fuera y lejos de ventanas abiertas, puertas, y respiraderos.



Do Not Return To Store

One year or 60 Hours Limited Warranty (see page 19)

For customer service or warranty information call toll free

866 797 2738

Read carefully before attempting to assemble, install, operate or maintain the product described. Protect yourself and others by observing all safety information. Failure to comply with the user's manual could result in personal injury and/or property damage! retain the user's manual for future reference. call toll free number 866 797 2738 for parts and service.

DISCLAIMER: All pictures may not be identical to product inside box.

Distributed by UST Fullerton, CA 92833



SAFETY ALERT SYMBOL: Indicates danger, warning, or caution. Attention is required in order to avoid serious personal injury.

The signal word (**DANGER, WARNING, or CAUTION**) is used with the alert symbol to alert you to special instruction about a particular operation that may be hazardous if performed incorrectly or carelessly. Observe them carefully.



DANGER: Failure to obey a safety warning **will result in serious personal injuries or deaths.**



WARNING: Failure to obey a safety warning **can result in serious personal injuries or deaths.**



CAUTION: Failure to obey a safety warning **may result in minor or moderate injuries**

CAUTION: When used without the alert symbol, could result in damage to your engine or other property.

If you do not understand any portion of this manual, about engine, please search for your dealer for explanations.

Warranty and Service Questions ?
Missing or Damaged parts
Call 866 797 2738

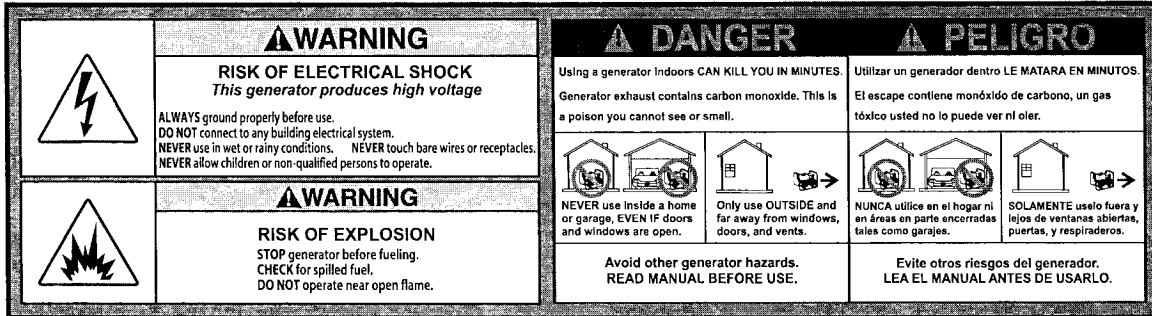
CONTENTS

1.SAFETY	1
2.COMPONENT IDENTIFICATION	2
3.PRE-OPERATION CHECK	3
4.STARTING THE ENGINE	4
5.GENERATOR USE	5
6.STOPPING THE ENGINE	7
7.MAINTENANCE	8
8.STORAGE	9
9.TROUBLE SHOOTING	10
10.WIRING DIAGRAM	11
11.SPECIFICATIONS	11
12.PARTS LIST AND DIAGRAM	12
12.1 CRANKCASE ASSEMBLY	12
12.2 CYLINDER HEAD ASSY.	12
12.3 INTAKE & EXHAUST MECHANISM ASSY.	13
12.4 CRANKCASE ASSEMBLY	13
12.5 CENTRIFUGAL ADJUSTMENT ASSY.	14
12.6 IGNITION SYSTEM ASSY.	14
12.7 STARTING SET ASSY.	15
12.8 AIR CLEANER ASSY.	15
12.9 CARBURETOR ASSY.	16
12.10 GENERATOR	16
12.11 GAS TANK ASSEMBLY.	17
12.12 PANEL	17
12.13 MUFFLER	18
12.14 FRAME	18
13.PARTS REPLACEMENT LIMITED WARRANTY	19
14.PRODUCT REGISTRATION CARD	20

Warranty and Service Questions ?
Missing or Damaged parts
Call 866 797 2738

1. SAFETY

1.1 SAFETY LABELS



RISK OF ELECTRICAL SHOCK *This generator produces high voltage*

ALWAYS ground properly before use.
DO NOT connect to any building electrical system.
NEVER use in wet or rainy conditions.
NEVER touch bare wires or receptacles.
NEVER allow children or non-qualified persons to operate.

RISK OF EXPLOSION

STOP generator before fueling.
CHECK for spilled fuel.
DO NOT operate near open flame.

Using a generator indoors CAN KILL YOU IN MINUTES.

Generator exhaust contains carbon monoxide. This is a poison you cannot see or smell.

NEVER use inside a home or garage, EVEN IF doors and windows are open.

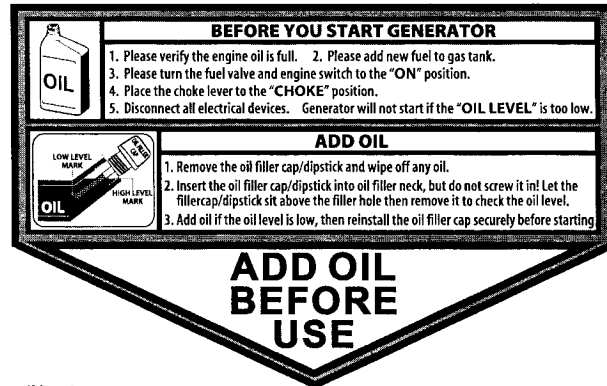
Only use OUTSIDE and far away from windows, doors, and vents.

Avoid other generator hazards.
READ MANUAL BEFORE USE.

BEFORE YOU START GENERATOR

1. Please verify the engine oil is full.
2. Please add new fuel to gas tank.
3. Please turn the fuel valve and engine switch to the "ON" position.
4. Place the choke lever to the "CHOKE" position.
5. Disconnect all electrical devices.

Generator will not start if the "OIL LEVEL" is too low.

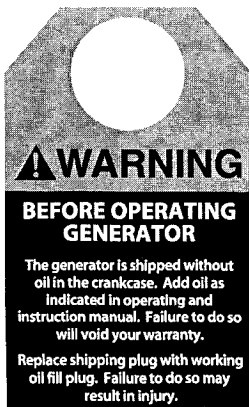


ADD OIL

1. Remove the oil filler cap/dipstick and wipe off any oil.
2. Insert the oil filler cap/dipstick into oil filler neck but do not screw it in!

Let the filler cap/dipstick sit above the filler hole then remove it to check the oil level.

3. Add oil if the oil level is low, then reinstall the oil filler cap securely before starting.



BEFORE OPERATING GENERATOR

The generator is shipped without oil in the crankcase. Add oil as indicated in operating and instruction manual. Failure to do so will void your warranty.

Replace shipping plug with working oil fill plug. Failure to do so may result in injury.



Connect ground to earth before operating



DO NOT RETURN TO STORE

If you are having problems with this generator, call our customer service help line.

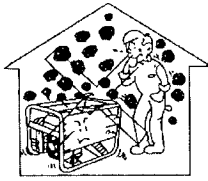
1-866-797-2738
M-F 7:30am - 4:00pm PST

HOT EXHAUST
CONTACT MAY CAUSE
DO NOT TOUCH

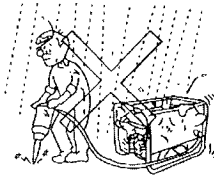


Warranty and Service Questions?
Missing or Damaged parts
Call 866 797 2738

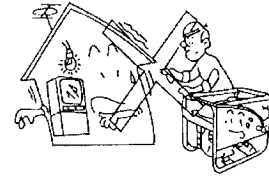
1.2 GENERATOR SAFETY



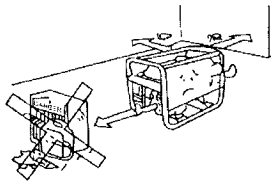
DO NOT USE INSIDE HOUSE.



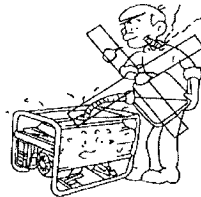
DO NOT USE IN WET SURROUNDING.



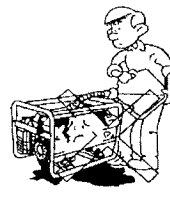
DO NOT CONNECT TO HOUSEHOLD CIRCUIT.



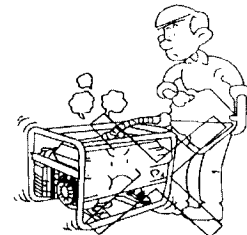
KEEP FLAMMABLE MATERIAL AT LEAST 1m(3FT)AWAY.



NO SMOKING.



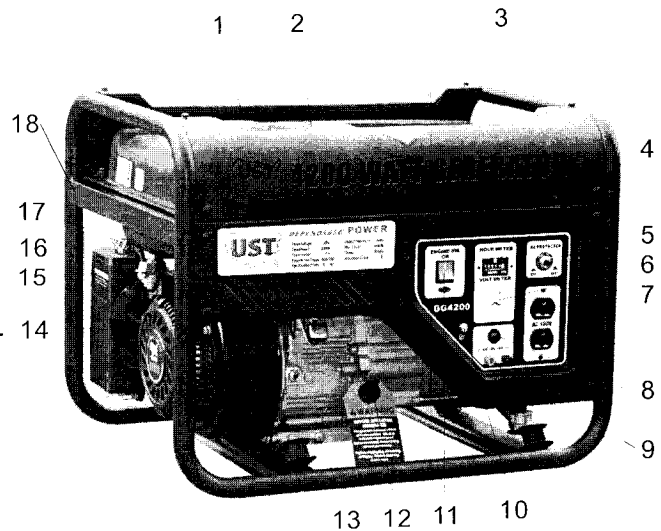
DO NOT SPILL.



STOP ENGINE. BEFORE REFUELING

2.COMPONENT IDENTIFICATION

- | | | |
|--------------------|---------------------|----|
| 1. FUEL TANK CAP | 2. FUEL TANK | 18 |
| 3. FRAME | 4. HOUR METER | |
| 5. CIRCUIT BREAKER | 6. VOLT METER | 17 |
| 7. DOUBLE SOCKET | 8. DC PROTECTOR | 16 |
| 9. DC TERMINALS | 10. GROUND TERMINAL | 15 |
| 11. ENGINE SWITCH | 12. OIL FILLER CAP | 14 |
| 13. OIL DRAIN PLUG | 14. RECOIL STARTER | |
| 15. FUEL VALVE | 16. AIR CLEANER | |
| 17. CHOKE LEVER | | |



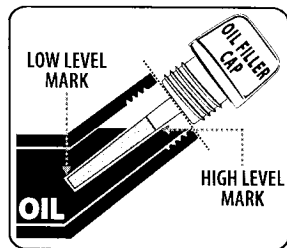
Warranty and Service Questions ?
Missing or Damaged parts
Call 866 797 2738

3. PRE-OPERATION CHECK

1. OIL LEVEL

CAUTION: Be sure to check the generator engine fluid levels with the generator on a level surface

Recommended oil: 4-stroke motor oil service classification SJ, SL, SG or SAE 10W-30 for general temperature.



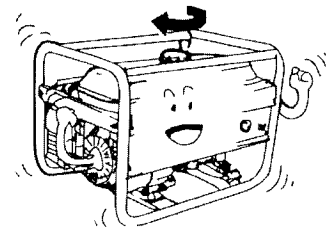
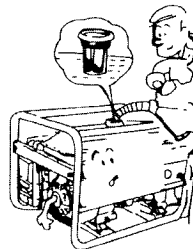
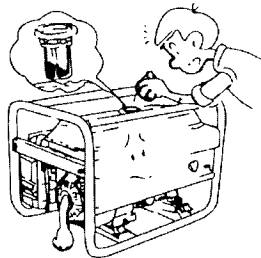
1. Remove the oil filler cap/dipstick and wipe off any oil.

2. Insert the oil filler cap/dipstick into oil filler neck, but do not screw it in! Let the filler cap/dipstick sit above the oil level.

3. Add oil if the oil level is low

2. FUEL LEVEL

1. Remove the fuel tank cap.



2. Check the fuel level if the fuel level is low.

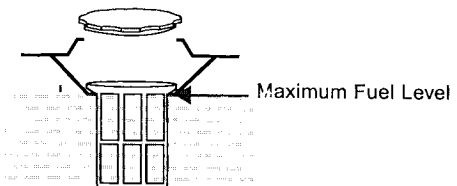
3. Add the unleaded gasoline to the shoulder of the filter screen.

4. Install the fuel tank cap.

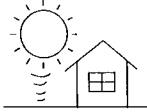
CAUTION: To avoid damage to engine, never use stale or contaminated gasoline or oil/gasoline mixture. Avoid getting dirt or water in fuel tank.

⚠ WARNING: Fuel and fuel vapors are extremely flammable and explosive under certain conditions.

- Refuel generator only outdoors, in a well-ventilated area.
- NEVER fill fuel tank while engine is running. Turn generator OFF and allow to cool before filling with fuel.
- NEVER smoke or allow flames or sparks near generator or where gasoline is stored.
- NEVER overfill fuel tank (no fuel should be in filler neck). After refueling, be sure fuel tank cap is closed properly and securely.
- Be careful not to spill fuel when refueling. Spilled fuel or fuel vapor may ignite. If any fuel is spilled, be sure area is dry before starting engine.
- Avoid repeated or prolonged contact with skin or breathing of vapor.



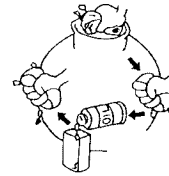
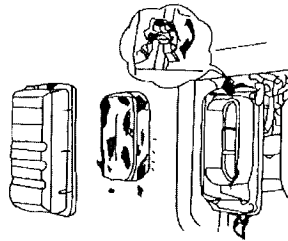
Warranty and Service Questions ?
Missing or Damaged parts
Call 866 797 2738



3. AIR CLEANER

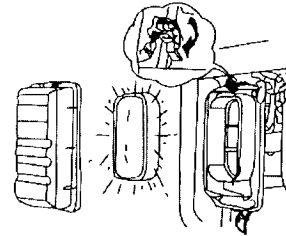
1. Unsnap the air cleaner cover springs, and remove the air cleaner cover
2. Check the air cleaner element to be sure it is clean and in good condition.

3. If it is dirty, remove and clean the element.

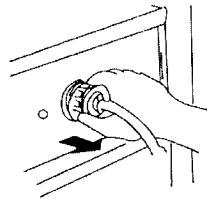


- (1) Wash in solvent
- (2) Squeeze
- (3) Soak oil
- (4) Squeeze dry

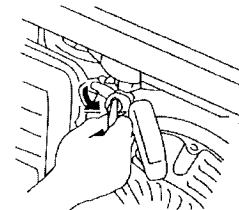
4. Reinstall the air cleaner element and secure the cover by setting the cover spring.



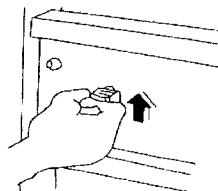
4. STARTING THE ENGINE



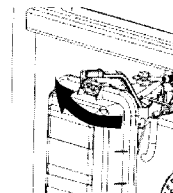
1. Disconnect any load from the AC receptacle,



2. Turn the fuel valve to the "ON" position.

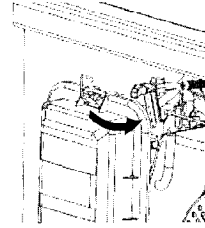
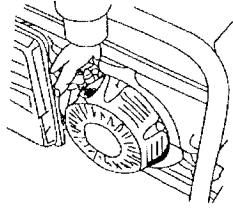


4. Turn the engine switch to the "ON" position.



3. Move choke lever to the left "CLOSED" position.
Check the air cleaner element to be sure it is clean.

Warranty and Service Questions ?
Missing or Damaged parts
Call 866 797 2738



5. Pull the starter grip lightly until resistance is felt then pull briskly.

Warning: Do not allow the starter grip to snap back against the engine. Return it gently.

6. Move choke lever to the right "OPEN" position as the engine warms up.

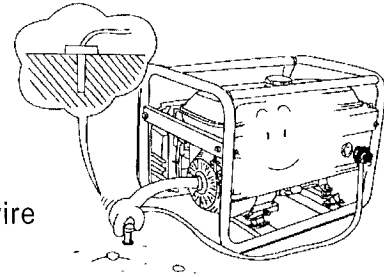
5. GENERATOR USE

- To keep the generator always in top mechanical and electrical condition, observe the following:

⚠ WARNING

- To prevent electrical shock from faulty appliances, the generator should be grounded.

Connect a copper wire to the generator and the other end of wire to a metal stake driven into the ground.

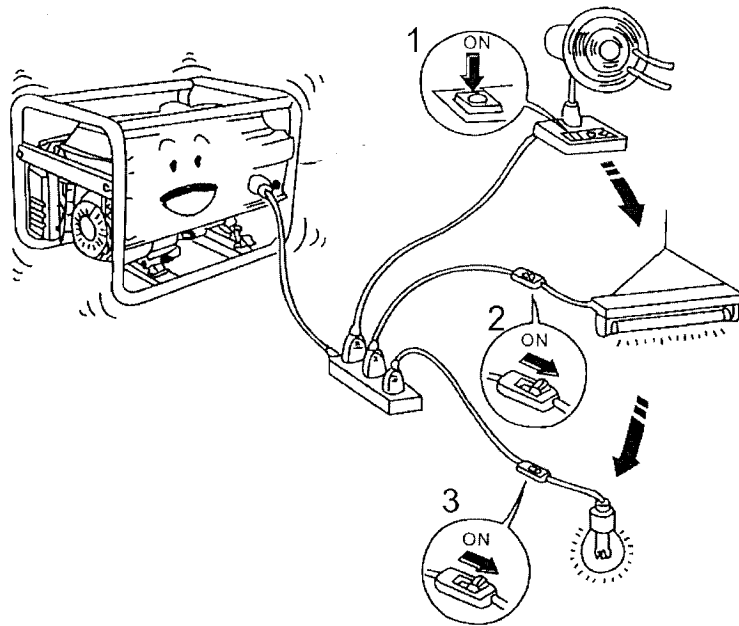


- Combined load of the connected apparatus must not exceed the rated capacity of the generator. Electric apparatus, particularly motor-driven equipment, will draw a higher current when starting. The following table is provided for your reference when connecting such apparatus to your generator.

TYPE	WATTAGE		TYPICAL APPARATUS	EXAMPLE		
	STARTING	RATED		APPARATUS	STARTING	RATED
Incandescent lamp Heating appliance	X1	X1	Incandescent lamp 	Incandescent lamp 	100VA (W)	100VA (W)
			TV 	100W		
Fluorescent lamp	X2	X1.5		40W	80VA (W)	60VA (W)
			Fluorescent lamp	Fluorescent lamp		
Motor driven equipment	X3-5	X2	Refrigerator	Refrigerator	450~750VA (W)	300VA (W)
			Electric fan	150W		

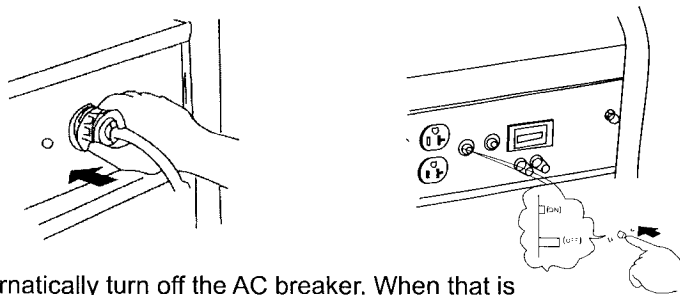
Warranty and Service Questions ?
Missing or Damaged parts
Call 866 797 2738

3. When two or more pieces of apparatus are connected to your generator, turn them on beginning with the one drawing higher current when starting.



AC APPLICATION

1. Start the engine
2. Make sure that the needle of the voltmeter indicates the voltage.
3. Plug in the appliance



Note: a: Over current will automatically turn off the AC breaker. When that is turned off, the generator shall be restarted with load reduced a few minutes thereafter.

b: Generally 5-10% variance of voltage output is an acceptable tolerance of voltage variation.

Warranty and Service Questions ?
Missing or Damaged parts
Call 866 797 2738

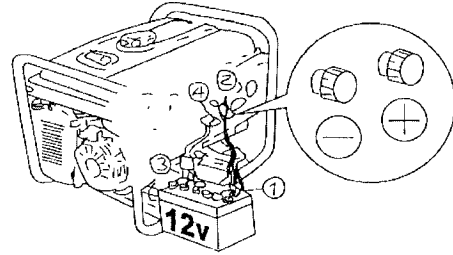
DC APPLICATION

The DC terminals may be used for charging 12V automotive-type batteries only

1. Connect the charging cables to the battery terminal.
2. Start the engine and charge the battery

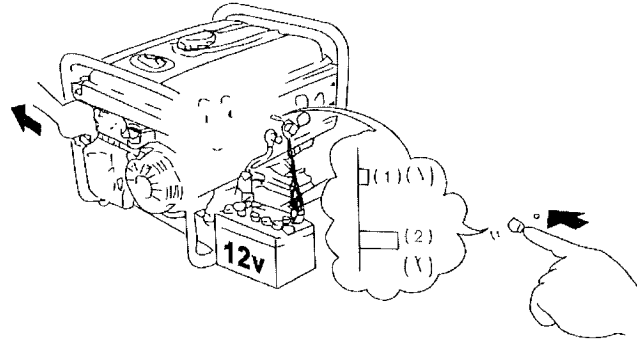
NOTE:

An overloaded DC circuit will trip the DC circuit breaker (push button comes out) If this happens, check the short circuit or connection and wait a few minutes before pushing the circuit protector.



3. Stop the engine, then disconnect the charging cables in the reverse order of connection.

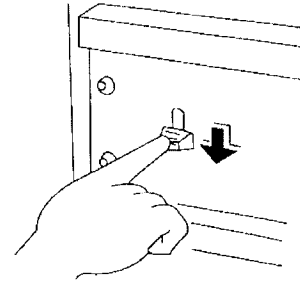
(1) ON (2) OFF



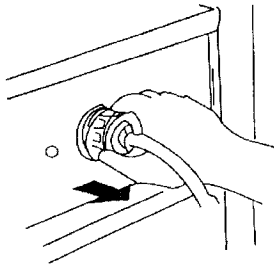
6. STOPPING THE ENGINE

1. Turn off all electrical appliances.

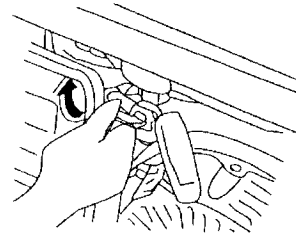
2. Turn the engine switch to the "OFF" position.



3. Disconnect the electrical appliance.



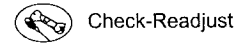
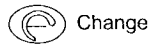
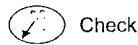
4. Turn the fuel valve to the "OFF" position.



NOTE: To stop the engine in an emergency, turn the engine switch OFF.

Warranty and Service Questions ?
Missing or Damaged parts
Call 866 797 2738

7.MAINTENANCE



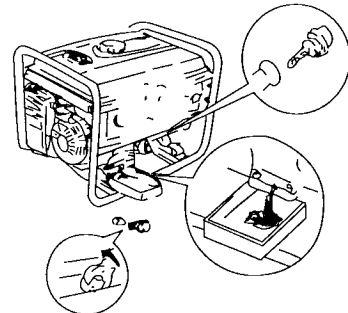
			First month or	Every 3 months or	Every 6 months or	Every year or	SEE page
Engine oil							P.2
							P.7
Air cleaner							P.3
							P.3
Fuel strainer							P.8
Battery fluid level							-
Spark plug							P.8
Valve Clearance							-
Combustion Chamber							-
Fuel line				(1)(2)			-

(1): These items should be serviced by a dealer.

(2): Every 3 years

1.OIL CHANGE

- 1.Remove the oil filler cap.
- 2.Remove the drain plug and drain the oil.
- 3.Dispose of oil properly.
- 4.Install the drain plug and tighten it securely.
- 5.Refill with the motor oil(see 2 page)and check the oil level

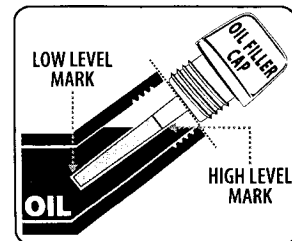


ENGINE OIL CAPACITY:20 oz(0.6 Liter)

- 6.Install the oil filler cap.

Recommended oil: 4-stroke motor oil service classification SJ,SL, SG or SAE10W-30 for general temperature.

7. Engine will not start if oil level is not correct.

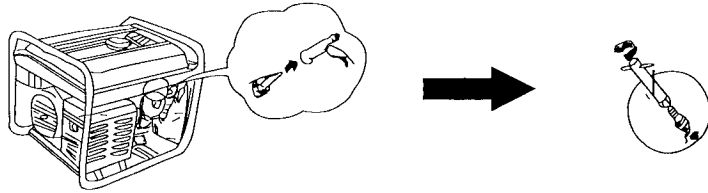


Warranty and Service Questions ?
Missing or Damaged parts
Call 866 797 2738

2. AIR CLEANER (See 3 page)

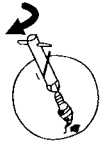
3. SPARK PLUG

SPARK PLUG TYPE: F7RTC

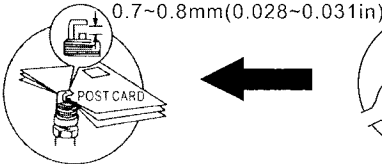


1. Remove the spark plug cap.

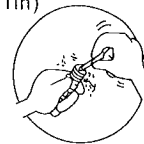
2. Remove the spark plug.



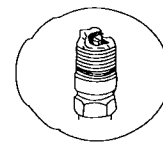
5. Reinstall the spark plug and plug cap.



4. Measure the gap.

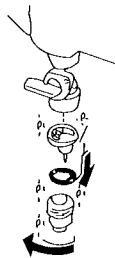


3. Clean the deposit.



4. FUEL STRAINER

1. Turn the fuel valve to the OFF position and remove the sediment cup and filter screen.

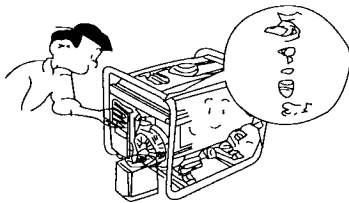


2. Clean the sediment cup and fuel filter screen.

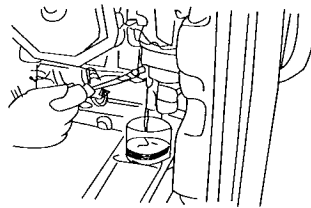


3. Install the fuel filter screen and sediment cup.

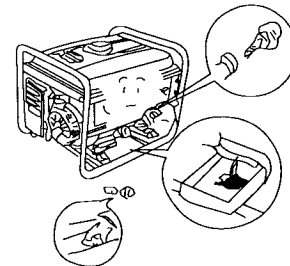
8. STORAGE



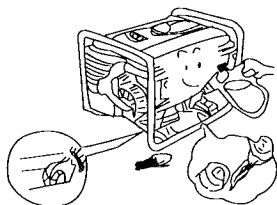
1. Close the fuel valve, drain the fuel from the fuel tank.



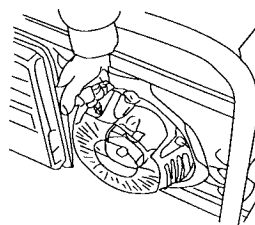
2. Drain the fuel from the carburetor.



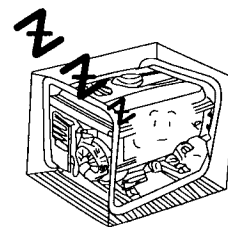
3. Remove the oil filler cap and drain plug to drain the oil.



4. Tighten the oil drain plug and fill the engine with new oil to the filler neck.



5. Pull the starter grip carefully until resistance is felt.

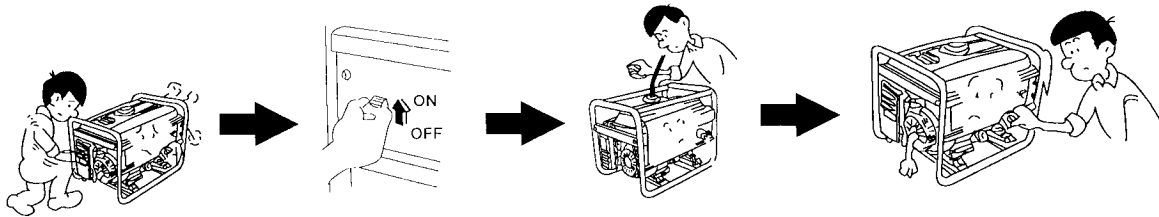


6. Store the generator in a clean area.

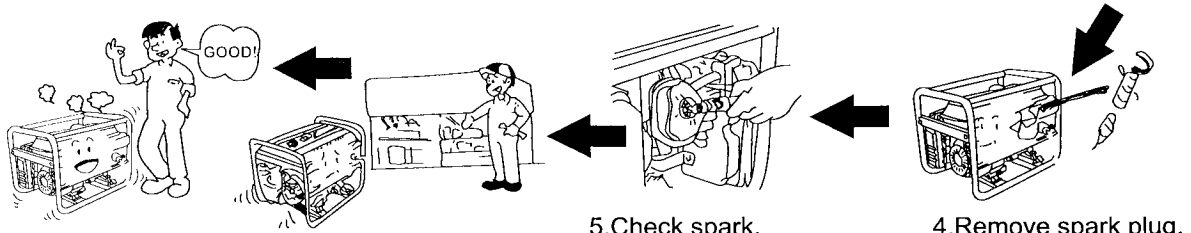
Warranty and Service Questions ?
Missing or Damaged parts
Call 866 797 2738

9. TROUBLE SHOOTING

ENGINE DOES NOT START:

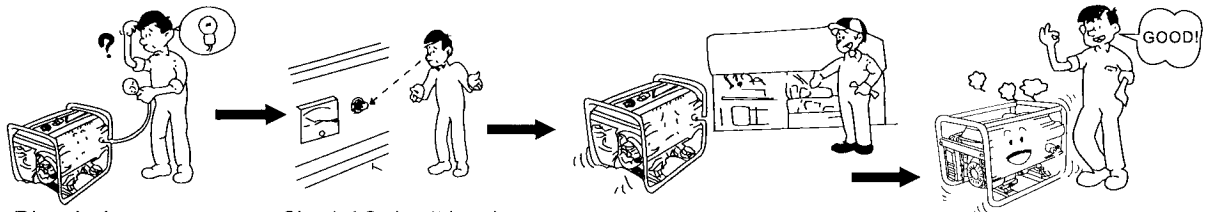


1. Turn on the engine switch.
2. Check fuel lever and fuel ON/OFF valve.
3. Check oil. Engine will not start unless oil level is correct.



4. Remove spark plug.
5. Check spark. Hold spark plug against metal, pull the recoil starter to see spark.

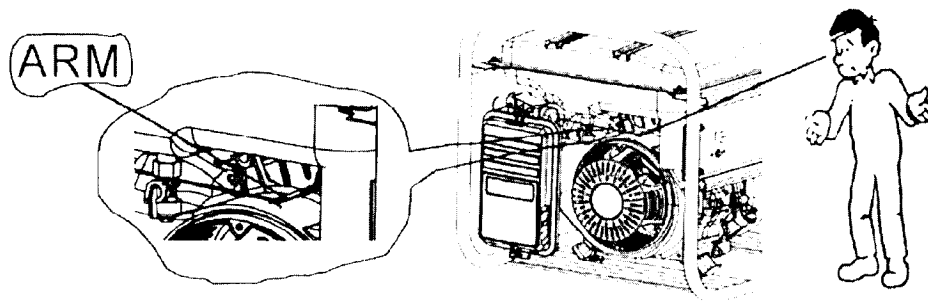
NO ELECTRICITY:



Plug in known working light bulb.

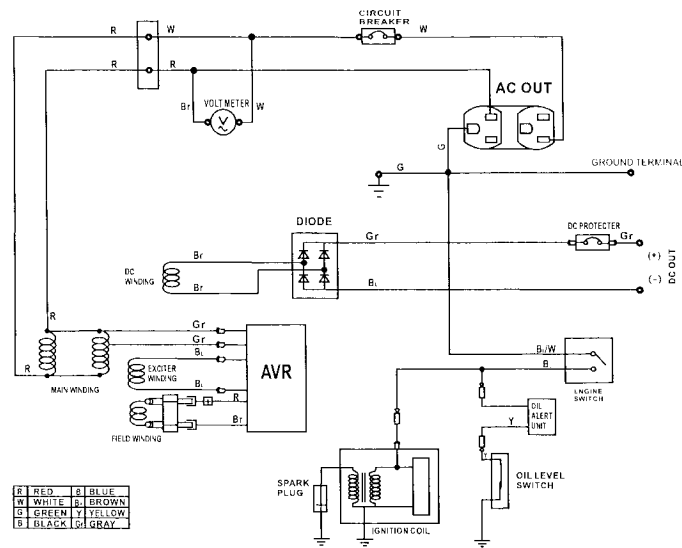
Check AC circuit breaker

In case long term storage generator has no output when started, please turn off the circuit breaker and prod the ARM to increase the throttle until the volt-meter indicates voltage



Warranty and Service Questions ?
Missing or Damaged parts
Call 866 797 2738

10. WIRING DIAGRAM



11. SPECIFICATIONS

Package(L×W×H)(in)	23.62×17.12×18.5(600×435×470)
Net weight(lbs)	88(40kg)
Model	GG4200
Type	Single phase
Rated voltage(V)	120
Rated frequency(Hz)	60
Rated current(A)	26.7
Rated power(kW)	3.2
Surge power(kW)	4.2
Power factor (cos (φ))	1.0
DC rated voltage (V)	12
DC rated current(A)	10
Safety device	N.F.B
Engine	JF168FLH-2B
Type	Air-cooled single cylinder.4-stroke engine
Bore x stroke (in)	2.68×2.13(68mm×54mm)
Displacement(cc)	196
Start mode	Recoil start
Operation time(hr)	10
Ignition system	TCI
Fuel type	Unleaded gasoline
Oil type	SAE10W-30/SAE10W-40

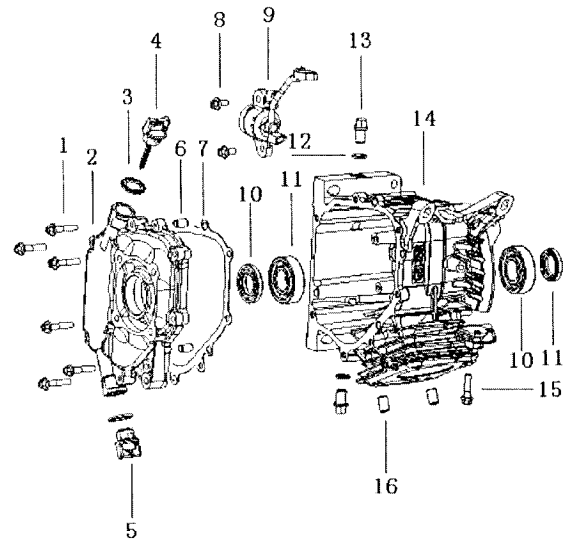
Note: specifications subject to change without prior notice.

Warranty and Service Questions ?
Missing or Damaged parts
Call 866 797 2738

12.PARTS LIST AND DIAGRAM.

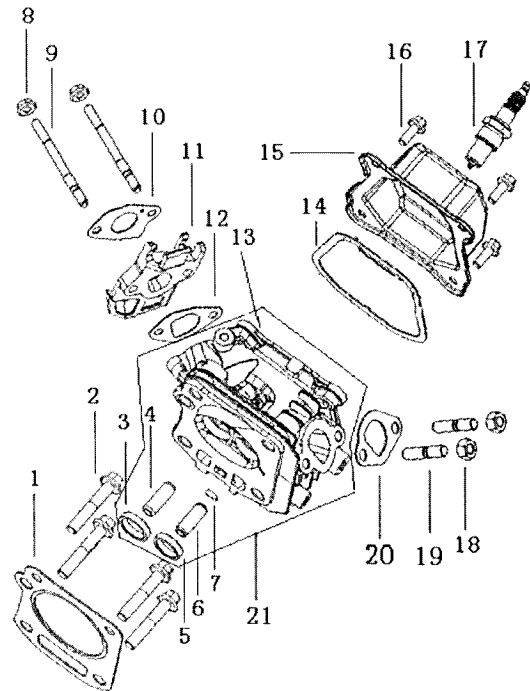
12.1 CRANKCASE ASSEMBLY

NO.	PARTS NO.	DESCRIPTION	QTY
1	GB/T5787	BOLT	6
2	QJ168QDJ.01-01B	COVER, crankcase	1
3	QJ168QDJ.01-05	WASHER, seal	2
4	QJ168QDJ.01-04	GUAGE, engine oil	1
5	QJ168QDJ.01-03	COVER, supply oil mouth	1
6	157.3-8	GUIDE, dowel	2
7	QJ168QDJ.01-02	SPACER, crankcase	1
8	GB/T5787	BOLT	2
9	QJ168FJH-3.01.02	SENSOR ASSY, fuel level	1
10	QJ168QDJ.01.01	OILSEAL ASSY	2
11	GB/T276-94	BEARING	2
12	QJ166QDK.01-07	SPACER, drain plug	2
13	QJ166QDK.01-06	DRAIN PLUG	2
14	QJ168QDL.01.01	CRANKCASE ASSY	1
15	GB/T5789	BOLT	1
16	157.4-6	GUIDE, dowel	2



12.2 CYLINDER HEAD ASSY.

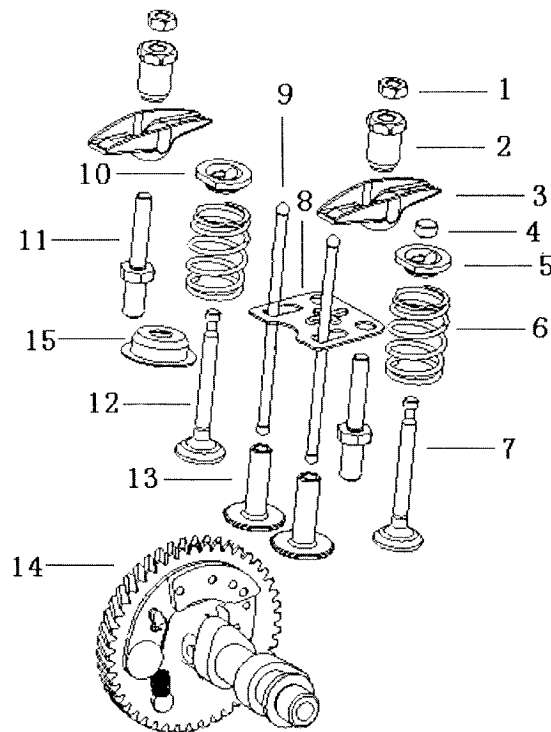
NO.	PARTS NO.	DESCRIPTION	QTY
1	QJ168QDL.02-01	SPACER ASSY	1
2	GB/T5787	BOLT, cylinder head	4
3	QJ168QDJ.02-01-05	RING, intake valve	1
4	QJ168QDJ.02-01-06	CANAL, intake valve	1
5	QJ168QDJ.02-01-02	RING, exhaust valve	1
6	QJ168QDJ.02-01-03	CANAL, exhaust valve	1
7	QJ168QDJ.02-01-04	WASHER, stopper	1
8	GB/T6177	NUT	2
9	QJ168FJH-3.02-01	BOLT, intake pipe	2
10	QJ168QDJ.02-05	SPACER	1
11	QJ168QDJ.02-02	MATTRESS, heat insulating	1
12	QJ168QDJ.02-04	SPACER	1
13	QJ168QDL.02.01-01	CYLINDER HEAD	1
14	QJ168QDJ.02-06	SPACER, seal	1
15	QJ168QDJ.02.03	CLAPBOARD	1
16	GB/T5789	BOLT	4
17	QJ1E50FMG.1.2	SPARK PLUG (BPR6ES)	1
18	GB/T6170	NUT	2
19	QJ168QDJ.02.-07	BOLT, exhaust pipe	2
20	QJ168QDJ.02-01	SPACER, exhaust pipe	1
21	QJ168QDL.02.01	CYLINDER HEAD	1



Warranty and Service Questions ?
Missing or Damaged parts
Call 866 797 2738

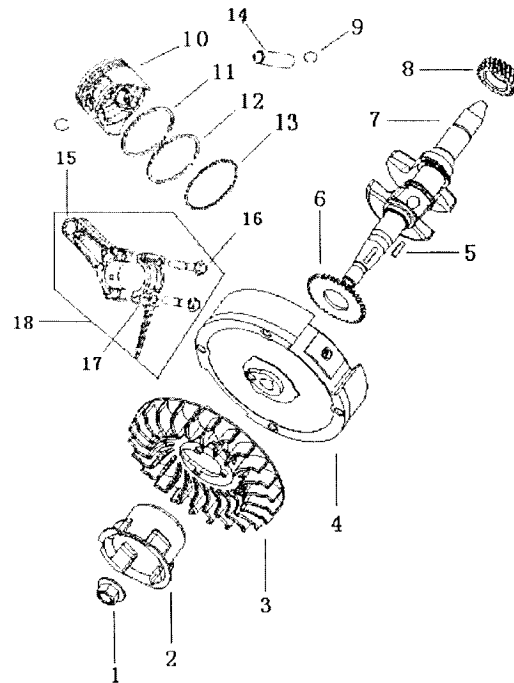
12.3 INTAKE & EXHAUST MECHANISM ASSY.

NO.	PARTS NO.	DESCRIPTION	QTY
1	QJ166QDK.03-11	ADJUSTING NUT, valve clearance	2
2	QJ182QDP.03-07	BUTTONHEAD, arm	2
3	QJ168QDJ.03-09	ARM	2
4	QJ168QDJ.03-02	CAP, exhaust door rod	1
5	QJ168QDJ.03-10	UPPER RETAINER, exhaust door spring	1
6	QJ168QDJ.03-07	SPRING, valve	2
7	QJ168QDJ.03-05	Valve, exhaust	1
8	QJ168QDJ.03-03	GUIDE PLATE, connecting stud	1
9	QJ168QDJ.03.02	ROD, connecting	2
10	QJ168QDJ.03-08	UPPER RETAINER, intake door spring	1
11	QJ182QDP.03-04	ADJUSTING STUD, valve clearance	2
12	QJ168QDJ.03-06	Valve, intake	1
13	QJ168QDL.03-01	STUD, connecting	2
14	QJ168QDL.03.01	CAMSHAFT	1
15	QJ1P64.02.01	OILSEAL, Valve	1



12.4 CRANKCASE ASSEMBLY

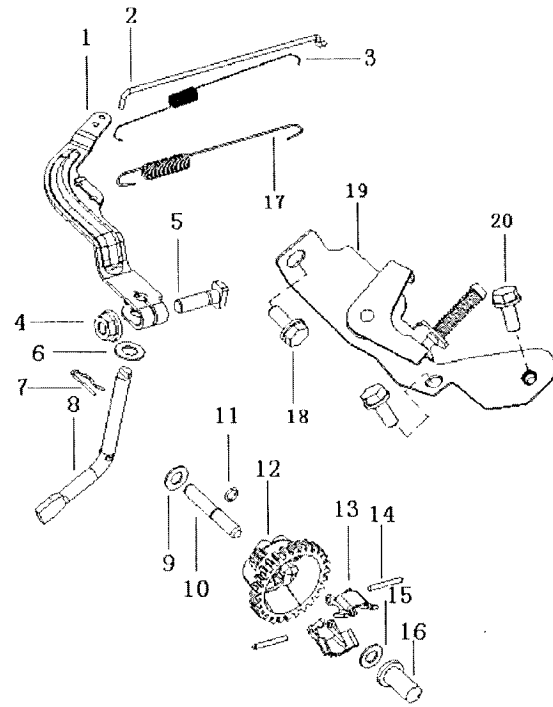
NO.	PARTS NO.	DESCRIPTION	QTY
1	QJ168QDJ.04-06	NUT, clamp	1
2	QJ168QDJ.04-10	RATCHET WHEEL	1
3	QJ168QDJ.04-11	FAN	1
4	QJ168QDJ.04.03	FLYING WHEEL	1
5	QJ182QDP.04-03	KEY	1
6	QJ168QDJ.04-09	DRIVEN GEAR,	1
7	QJ168QDL-2.01-01B	BRANCE	1
8	QJ168QDJ.04-08	GEAR, crankshaft timing	1
9	QJ168QDJ.04-05	CIRCLIP, piston pin	2
10	QJ168QDL.04-01	PISTON	1
11	QJ168QDJ.04-02	RING, first	1
12	QJ168QDJ.04-03	RING, second	1
13	QJ168QDJ.04.01	OIL RING ASSY	1
14	QJ168QDJ.04-04	PIN, piston	1
15	QJ168QDJ.04.02--01	ROD, connecting	1
16	QJ166QDK.05.02--03	BOLT, connecting rod	2
17	QJ168QDJ.04.02--02	COVER,connecting rod	1
18	QJ168QDJ.04.02	CONNECTING ROD ASSY	1



Warranty and Service Questions ?
Missing or Damaged parts
Call 866 797 2738

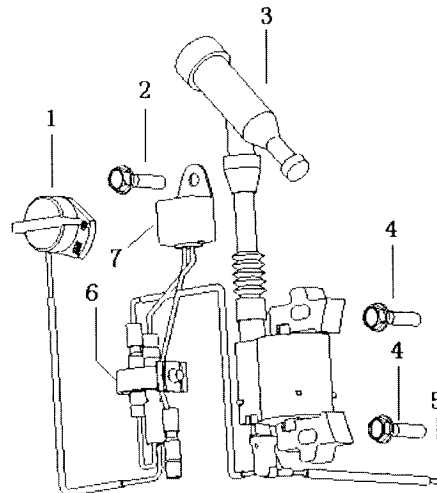
12.5 CENTRIFUGAL ADJUSTMENT ASSY.

NO.	PARTS NO.	DESCRIPTION	QTY
1	QJ168QDJ.05-01	ARM	1
2	QJWB.06.01-10	ROD, tension	1
3	QJ168QDJ.05-06	SPRING 2, tension	1
4	GB/T6177	NUT M6	1
5	QJ182QDP.06-03	BOLT, square	1
6	QJ168QDJ.05-09	SPACER 2	1
7	QJ182QDP.06-02	CIRCLIP	1
8	QJ168QDJ.05-03	FORK	1
9	QJ166QDK.06-03	SPACER 1	1
10	QJ168QDJ.05-04	PIN	1
11	QJ166QDK.01-02	CIRCLIP	1
12	QJ168QDJ.05.02-01	ADJUSTMENT, centrifugal	1
13	QJ168QDJ.05.02-03	BLOCK, centrifugal	2
14	QJ168QDJ.05.02-02	PIN	2
15	QJ168QDJ.05-08	SPACER 3	1
16	QJ168QDJ.05-02	COVER, push rod	1
17	QJ168QDJ-2.02-01	SPRING 1, tension	1
18	GB/T5789	BOLT M6X10	2
19	QJ168QDJ-2.02.01	HANDLE ASSY	1
20	GB/T5789	BOLT M6X25	1



12.6 IGNITION SYSTEM ASSY.

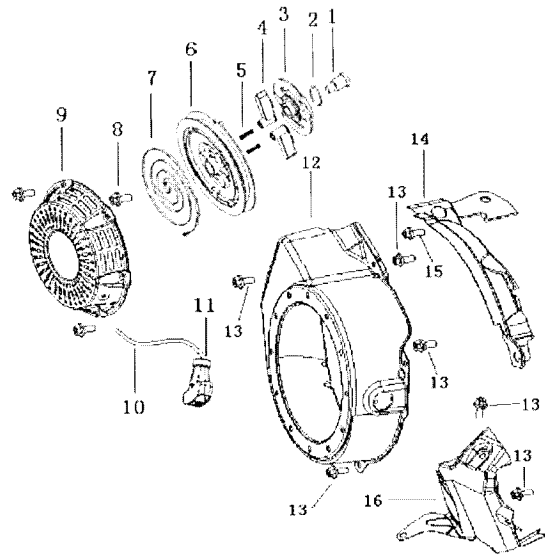
NO.	PARTS NO.	DESCRIPTION	QTY
1	QJ168FJH-3.08.01	SWITCH ASSY, ignition	1
2	GB/T5787	BOLT M6x8	1
3	QJ168QDJ.11.03	WINDING ASSY, ignition	1
4	GB/T5789	BOLT M6x25	2
5	QJ168QDJ.11.02	CONNECTING WIRE ASSY	1
6	QJ168FJH-3.08-01	Clip	1
7	QJ182QDP.01.05	ELECTIONIC SWITCH	1



Warranty and Service Questions ?
Missing or Damaged parts
Call 866 797 2738

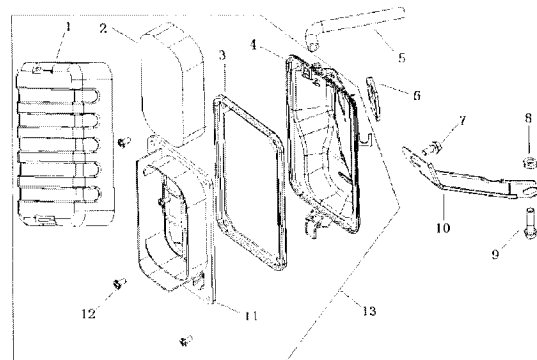
12.7 STARTING SET ASSY.

NO.	PARTS NO.	DESCRIPTION	QTY
1	QJ168QDJ.06-05	SCREW	1
2	QJ168QDJ.06-06	CIRCLIP	1
3	QJ168QDJ.06-04	PLATE, guide	1
4	QJ168QDJ.06-01	BLOCK, clutch	2
5	QJ168QDJ.06-02	SPRING, pressure	2
6	QJ168QDJ.06-03	TABLE, rotary	1
7	QJ168QDJ.06-07	SPRING, turbination	1
8	GB/T5789-1986	BOLT M6X8	3
9	QJ168QDJ.06.01	COVER, starting	1
10	QJ168QDJ.06-08	ROPE, starting	1
11	QJ168QDJ.06-09	HANDLE	1
12	QJ168QDJ.06.02.02	COWLING	1
13	GB/T5789	BOLT M6x10	6
14	QJ168QDJ.06.02.01	PLATE 1, diversion	1
15	GB/T5789	BOLT M6x14	1
16	QJ168QDJ.06.02-01	PLATE 2, diversion	1



12.8 AIR CLEANER ASSY.

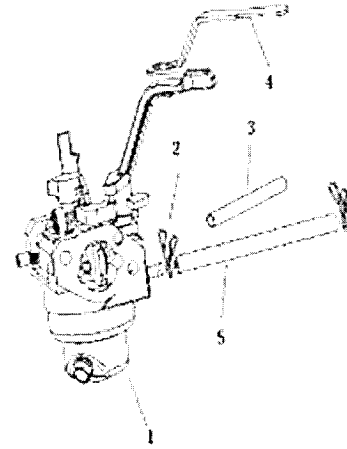
NO.	PARTS NO.	DESCRIPTION	QTY
1	QJ168FJH-3.05.01-01	COVER, air cleaner	1
2	QJ168FJH-3.05.01-02	CORE, filtering	1
3	QJ168FJH-3.05.01-04	SEAL,	1
4	QJ168FJH-3.05.01.01	bellow hull ASSY	1
5	QJ168FJH-3.05-01	Colloid pipe	1
6	QJ168QDJ.07.03	SEAL, air cleaner	1
7	GB/T5787	BOLT M6X12	1
8	GB/T6177	NUT M8	1
9	GB/T5789	BOLT M8X35	1
10	QJ168FJH-3.05-02	BRACKET, air cleaner	1
11	QJ168FJH-3.05.01-03	Sustain board	1
12	GB/T823	BOLT M6X12	4
13	QJ168FJH-3.05.01	air cleaner ASSY	1



Warranty and Service Questions ?
Missing or Damaged parts
Call 866 797 2738

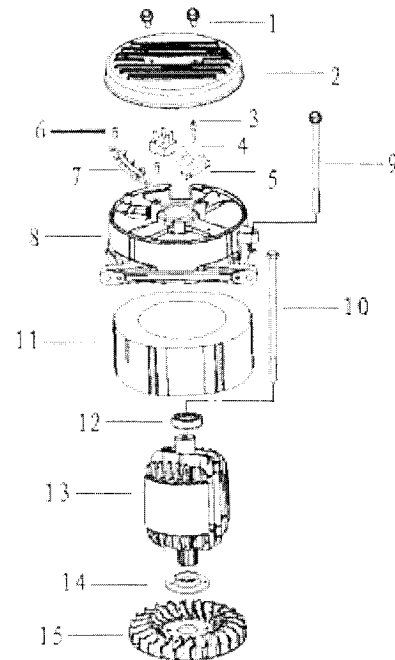
12.9 CARBURETOR ASSY.

NO.	PARTS NO.	DESCRIPTION	QTY
1	QJ168FLH-4.04.01	CARBURETOR ASSY	1
2	153FM-0000041	CIRCLIP	2
3	QJ168QDJ .10.03-02	JACKET	1
4	QJ168FJH-3.07-02	JOIN PLANK	1
5	QJ168QDJ .10.03-01	HOSE, oil	1



12.10 GENERATOR

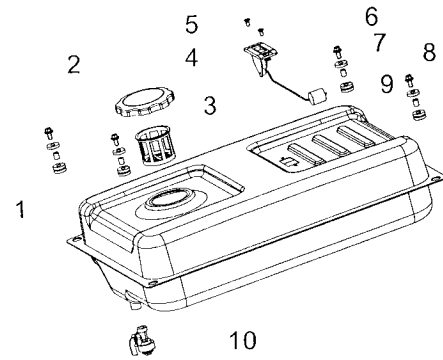
NO	PART NO	DESCRIPTION	QTY
1	GB/T5787-86	Bolt M5*8	2
2	QJ2500.03-02	Right Side Cover	1
3	GB/T5789-86	Screw	1
4	QJ2500.02.05	Rectifier	1
5	QJ2300.03.03	Carbon Brush	1
6	GB/T5787-86	Bolt	3
7	QJ2300.03.04	AVR	1
8	QJ2500.03-01	Motor Casing (End Cap)	1
9	GB/T5787-86	Bolt M6*160	4
10	GB/T5789-86	Bolt M8*230	1
11	QJ3200.03.01	Stator Assy	1
12	GB/T271-87	Rolling Bearing(6202z)	1
13	QJ3200.03.02	Rotor Assy	1
14	QJ2500.03.02.01-01	Impeller Fixing Base	1
15	QJ2500.03.02.01-02	Impeller	1



Warranty and Service Questions ?
Missing or Damaged parts
Call 866 797 2738

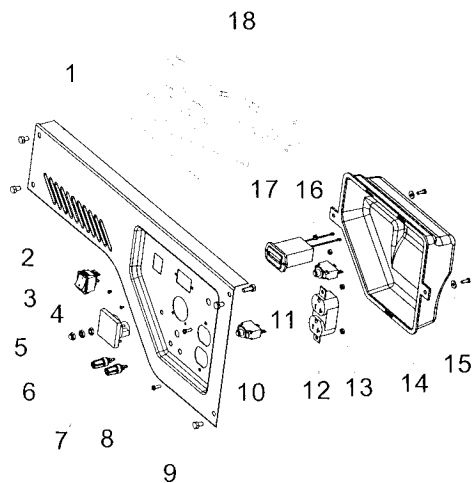
12.11 GAS TANK ASSEMBLY

NO	PART NO	DESCRIPTION	QTY
1	KE3500D.01.01	Fuel Tank	1
2	QJ6000.01.04	Fuel Tank Cap	1
3	QJ950.01-02	Filtering Net	1
4	QJ6000.01.03	Sender Unit	1
5	GB/T819.1-2000	Screw M5*10	2
6	GB/T5789-86	Bolt M6*20	4
7	GB/T96.2-2002	Washer D6	4
8	QJ2600.01-02	Fuel Tank Rubber Hose	4
9	QJ2600.01-01	Fuel Tank Rubber	4
10	QJ2600.01.02	Fuel Valve	1



12.12 PANEL

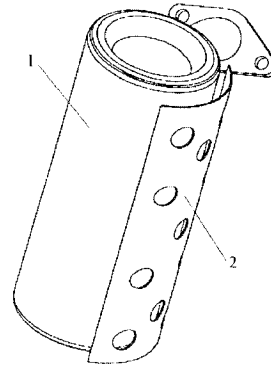
NO	PART NO	DESCRIPTION	QTY
1	KE3500D.02.01B	Panel	1
2	QJ3200.01.04	Engine Switch	1
3	GB/T818-2000	Screw M3*12	2
4	GB/T6170-2000	Nut M6	2
5	GB/T923-88	Cap Nut M6	1
6	QJ2600.02.05B	Volt Meter	1
7	QJ3200.01.05A	DC Terminal	2
8	GB/T818-2000	Screw M4*12	4
9	GB/T5789-86	Flange Face Bolt M6*8	4
10	QJ6500.02.05	Circuit Protector 10A	1
11	QJ3500.02.03	Circuit Protector 30A	1
12	QJ3200.01.02	Double Socket	1
13	GB/T6177.1-2000	Flange Face Nut M4	2
14	KE3500D.02-01	Bottom Shell	1
15	GB/T95-2002	Washer D4	4
16	GB/T6170-2000	Nut M3	2
17	QJ6500D.01.04	Hour Meter	1
18	KE3500D.02.02B	Cable Conductor	1



Warranty and Service Questions ?
Missing or Damaged parts
Call 866 797 2738

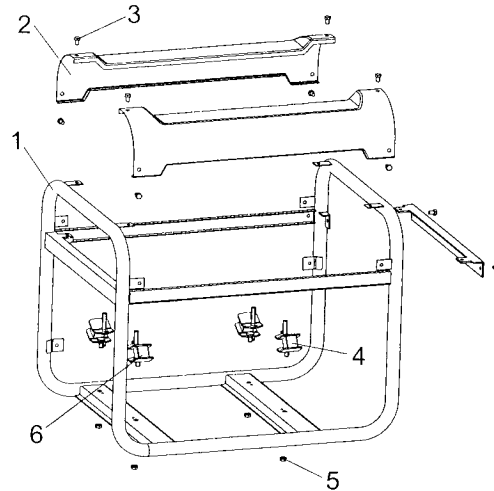
12.13 MUFFLER

NO	PART NO	DESCRIPTION	QTY
1	QJ3200.02.01A	Muffler	1
2	QJ2900F.04-01	Muffler Cover	1



12.14 FRAME

NO	PART NO	DESCRIPTION	QTY
1	KE3500D.06.01B	Frame	1
2	KE3500D.06-01	Frame Cover	2
3	GB/T5789-86	Flange Face Bolt M6*10	10
4	QJ2600.08.02	Left and Right Shockproof Mounting Feet	2
5	GB/T6177.1-2000	Flange Face Nut M8	8
6	QJ2500.04.02	Right Shockproof Mounting Feet	2



Warranty and Service Questions ?
Missing or Damaged parts
Call 866 797 2738

13. Parts Replacement Limited Warranty

IMS-UST warrants to the original purchaser that the mechanical and electrical components will be free of defects in material and workmanship for a period of one (1) year or 60 hours from the original date of purchase (whichever is first). For commercial and industrial use, the warranty is applicable for 90 days or 60 hours, whichever comes first. All costs associated with the transportation, diagnosis and replacement of parts determined to be not operable during this warranty period are the sole responsibility of the purchaser. This warranty only applies to the original purchaser and is not transferable. No claims for warranties will be processed without valid proof of purchase.

For Help with Your Warranty

Do not return the unit to the place of purchase

Contact IMS-UST's Technical Service and IMS-UST will troubleshoot your problems with this product via phone or e-mail. If the problem is not corrected as a result of the phone or email contact, IMS-UST at its option will evaluate the issue and will authorize a repair or replacement of the defective

part of the unit. IMS-UST will provide you with a case number for warranty service. IT IS THE RESPONSIBILITY OF THE PURCHASER TO ARRANGE AND PREPAY ALL TRANSPORTATION CHARGES. NO UNITS SENT TO IMS-UST WILL BE RECEIVED AT IMS-UST WITHOUT A VALID CASE NUMBER INCLUDED ON THE SHIPPING LABEL. No exceptions to this warranty procedure are allowed. Failure to follow the steps outlined (phone consult, return authorization, pre-paid freight return) will result in no parts replaced under the warranty.

What is not covered by this Warranty

- Normal Wear and Tear
- Problems caused by using dirty or otherwise contaminated fuel.
- Problems caused by not properly maintaining the correct crankcase oil type and fluid level. This unit is equipped with a low oil auto shutoff sensor. Maintaining proper oil volume in the crankcase is critical to the safe and effective use of the motor.
- Generators need periodic parts and service to perform well. This warranty does not cover repair when normal use has exhausted the life of a part or the equipment as a whole.
- This unit is powered by an air cooled engine. Operating this unit in environments where the air temperature and relative humidity are extreme will cause parts to malfunction. This warranty does not cover those situations.
- This warranty will not apply to parts if this generator is deemed to have been misused, neglected, involved in an accident, abused, loaded beyond the generator's limits, modified, installed improperly or connected incorrectly to any electrical component. Normal maintenance such as air filters, adjustments, fuel system cleaning, spark plugs and obstruction due to contaminant buildup are not covered by this warranty.

Limits of Implied Warranty and Consequential Damage – issues specifically not covered under the warranty.

- Cosmetic defects.
- Failures due to acts of God and other forces of natural events beyond the manufacturer's control.
- Problems caused by parts that are not original OEM parts.
- This warranty will not cover any damages that occur from the user's failure to follow the instructions and warnings provided in the manual.
- IMS-UST disclaims any obligation to cover any loss of time, use of this product, freight, or any incidental or consequential claim by anyone from using this generator
- Parts provided as a replacement will be subject to the warranty of the original unit. The length of the warranty will never exceed the total time period of the warranty from the original purchase date.

THERE IS NO OTHER EXPRESS WARRANTY. ALL IMPLIED WARRANTIES ARE EXCLUDED UNLESS PROVIDED BY AN INDEPENDENT RETAILER IN WHICH CASE ANY IMPLIED WARRANTIES ARE THE RESPONSIBILITY OF THE RETAILERS WHO EXTENDED THEM. LIABILITY FOR INCIDENTAL OR CONSEQUENTIAL DAMAGES ARE EXCLUDED TO THE EXTENT EXCLUSION IS PERMITTED BY LAW. This warranty gives you certain legal rights which may change from state to state. Your state may also have other rights you may be entitled to that are not listed within this warranty.

Warranty and Service Questions ?
Missing or Damaged parts
Call 866 797 2738



PRODUCT REGISTRATION CARD

For more efficient customer service, please fill out the information below and mail to International Merchandising Service, Inc

Model No. _____ Engine Serial No. _____ Purchase Date ____/____/____

Purchased from: Retail location Private Consumer Other _____

Name: _____

Location Address: _____

Telephone w/ area code: _____ Purchase Price: _____

Purchased: NEW or USED

Consumer Information:

Name _____ Telephone w/ area code: _____

Street Address: _____ Suite or Apt No. _____

City: _____ State _____ Zip Code _____

Province or Country _____

Are you a: Business or Residence

Product usage Information:

How often will you use this product? Everyday Periodically Emergency use only
 Other _____

What type of application will you use this product in?

Heavy Commercial Moderate Commercial Light Commercial Tradeshows
 Heavy Residential Moderate Residential Light Residential Camping, backpacking
 Other _____

Mail this page to: International Mer Service, Inc,
1928 West Malvern Avenue
Fullerton, CA 92833

Warranty and Service Questions ?
Missing or Damaged parts
Call 866 797 2738