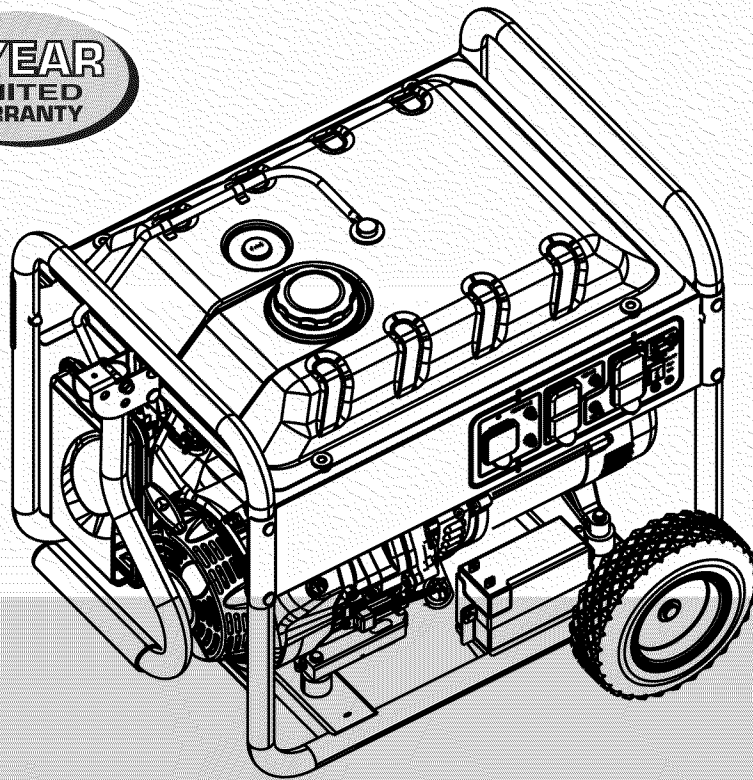


Owner's Manual GP Series Portable Generator

**2 YEAR
LIMITED
WARRANTY**



⚠ DANGER!

- ⚠ DEADLY EXHAUST FUMES! ONLY use OUTSIDE far away from windows, doors and vents!**
- ⚠ NOT INTENDED FOR USE IN CRITICAL LIFE SUPPORT APPLICATIONS.**
- ⚠ SAVE this Manual. Provide this manual to any operator of the generator.**

Table of Contents

Introduction	1	Maintenance	13
Read this Manual Thoroughly	1	3.1 Performing Scheduled Maintenance	13
Safety Rules	1	3.2 Maintenance Schedule	13
Standards Index	3	3.3 Product Specifications.....	13
General Information	4	3.3.1 Generator Specifications	13
1.1 Unpacking.....	4	3.3.2 Engine Specifications.....	13
1.1.1 Accessory Box	4	3.3.3 Emissions Information	13
1.2 Assembly.....	4	3.4 General Recommendations.....	13
1.2.1 Assembling the Accessory Kit.....	4	3.4.1 Generator Maintenance	13
1.2.2 Battery Cable Connection (Electric Start Only)....	5	3.4.2 To Clean the Generator.....	14
Operation	5	3.4.3 Engine Maintenance.....	14
2.1 Know the Generator	5	3.4.4 Checking Oil Level	14
2.2 Hourmeter.....	7	3.4.5 Changing the Oil	14
2.3 Cord Sets and Connection Plugs	7	3.4.6 Replacing the Spark Plug	14
2.3.1 120 VAC, 20 Amp, Duplex Receptacle	7	3.4.7 Battery Replacement (if applicable)	14
2.3.2 120/240 VAC, 30 Amp, Receptacle.....	7	3.5 Service Air Cleaner.....	15
2.3.3 120 VAC, 20 Amp, GFCI Duplex Receptacle.....	7	3.5.1 Clean Spark Arrestor Screen (CARB models) ...	15
2.3.4 120/240 VAC, 30 Amp Receptacle.....	8	3.6 Valve Clearance.....	15
2.4 How to Use the Generator	8	3.7 General	15
2.4.1 Grounding the Generator When Used		3.8 Long Term Storage.....	16
as a Portable	8	3.9 Other Storage Tips	16
2.4.2 Connecting the Generator to a Building's		Troubleshooting	17
Electrical System	9	4.1 Troubleshooting Guide.....	17
2.5 Don't Overload the Generator.....	9	Warranty	18
2.6 Wattage Reference Guide	9	<hr/>	
2.7 Before Starting the Generator	10	MANUAL DEL PROPIETARIO	23
2.7.1 Adding Engine Oil	10	MANUEL D'ENTRETIEN	47
2.7.2 Adding Gasoline.....	10		
2.8 Starting Pull Start Engines.....	11		
2.9 Starting Electric Start Engines	11		
2.9.1 Manual Start.....	12		
2.10 Stopping the Engine	12		
2.11 Low Oil Level Shutdown System	12		
2.11.1 Sensing Low Oil Level.....	12		
2.12 Charging the Battery (Electric Start Units Only).....	12		

INTRODUCTION

Thank you for purchasing this model by Generac Power Systems, Inc. This model is a compact, high performance, air-cooled, engine driven generator designed to supply electrical power to operate electrical loads where no utility power is available or in place of utility due to a power outage.

READ THIS MANUAL THOROUGHLY

If any portion of this manual is not understood, contact the nearest Authorized Dealer for starting, operating and servicing procedures.

The operator is responsible for proper and safe use of the equipment. We strongly recommend that the operator read this manual and thoroughly understand all instructions before using the equipment. We also strongly recommend instructing other users to properly start and operate the unit. This prepares them if they need to operate the equipment in an emergency. Save these instructions for future reference. If you loan this unit to someone, ALWAYS loan these instructions to the individual as well.

The generator can operate safely, efficiently and reliably only if it is properly located, operated and maintained. Before operating or servicing the generator:

- Become familiar with and strictly adhere to all local, state and national codes and regulations.
- Study all safety warnings in this manual and on the product carefully.
- Become familiar with this manual and the unit before use.

The manufacturer cannot anticipate every possible circumstance that might involve a hazard. The warnings in this manual, and on tags and decals affixed to the unit are, therefore, not all inclusive. If using a procedure, work method or operating technique that the manufacturer does not specifically recommend, ensure that it is safe for others. Also make sure the procedure, work method or operating technique utilized does not render the generator unsafe.

THE INFORMATION CONTAINED HEREIN WAS BASED ON MACHINES IN PRODUCTION AT THE TIME OF PUBLICATION. GENERAC RESERVES THE RIGHT TO MODIFY THIS MANUAL AT ANY TIME.

SAFETY RULES

Throughout this publication, and on tags and decals affixed to the generator, DANGER, WARNING, CAUTION and NOTE blocks are used to alert personnel to special instructions about a particular operation that may be hazardous if performed incorrectly or carelessly. Observe them carefully. Their definitions are as follows:

⚠ DANGER!

INDICATES A HAZARDOUS SITUATION OR ACTION WHICH, IF NOT AVOIDED, WILL RESULT IN DEATH OR SERIOUS INJURY.

⚠ WARNING!

Indicates a hazardous situation or action which, if not avoided, could result in death or serious injury.

⚠ CAUTION!


Indicates a hazardous situation or action which, if not avoided, could result in minor or moderate injury.


NOTE:

Notes contain additional information important to a procedure and will be found within the regular text body of this manual.


These safety warnings cannot eliminate the hazards that they indicate. Common sense and strict compliance with the special instructions while performing the action or service are essential to preventing accidents.

Four commonly used safety symbols accompany the **DANGER**, **WARNING** and **CAUTION** blocks. The type of information each indicates is as follows:

 **This symbol points out important safety information that, if not followed, could endanger personal safety and/or property of others.**

 **This symbol points out potential explosion hazard.**

 **This symbol points out potential fire hazard.**

 **This symbol points out potential electrical shock hazard.**

GENERAL HAZARDS

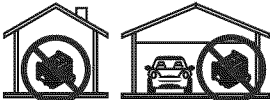

- NEVER operate in an enclosed area, in a vehicle, or indoors EVEN IF doors and windows are open.
- For safety reasons, the manufacturer recommends that the maintenance of this equipment is carried out by an Authorized Dealer. Inspect the generator regularly, and contact the nearest Authorized Dealer for parts needing repair or replacement.
- Operate generator only on level surfaces and where it will not be exposed to excessive moisture, dirt, dust or corrosive vapors.
- Keep hands, feet, clothing, etc., away from drive belts, fans, and other moving parts. Never remove any fan guard or shield while the unit is operating.
- Certain parts of the generator get extremely hot during operation. Keep clear of the generator until it has cooled to avoid severe burns.
- Do NOT operate generator in the rain.
- Do not alter the construction of the generator or change controls which might create an unsafe operating condition.
- Never start or stop the unit with electrical loads connected to receptacles AND with connected devices turned ON. Start the engine and let it stabilize before connecting electrical loads. Disconnect all electrical loads before shutting down the generator.
- Do not insert objects through unit's cooling slots.
- When working on this equipment, remain alert at all times. Never work on the equipment when physically or mentally fatigued.

Safety Rules

- Never use the generator or any of its parts as a step. Stepping on the unit can stress and break parts, and may result in dangerous operating conditions from leaking exhaust gases, fuel leakage, oil leakage, etc.
- On electric start models, disconnect the POSITIVE (+) battery cable from the engine starter OR the NEGATIVE (-) battery cable from the battery terminal, whichever is easier, before transporting the generator.

EXHAUST & LOCATION HAZARDS

- **Never operate in an enclosed area or indoors! NEVER use in the home, in a vehicle, or in partly enclosed areas such as garages, even if doors and windows are open! ONLY use outdoors and far from open windows, doors, vents, and in an area that will not accumulate deadly exhaust.**

⚠ DANGER	
Using a generator indoors CAN KILL YOU IN MINUTES.	
Generator exhaust contains carbon monoxide. This is a poison you cannot see or smell.	
	
NEVER use inside a home or garage, EVEN IF doors and windows are open.	Only use OUTSIDE and far away from windows, doors, and vents.

- The engine exhaust fumes contain carbon monoxide, which you cannot see or smell. This poisonous gas, if breathed in sufficient concentrations, can cause unconsciousness or even death.
- Adequate, unobstructed flow of cooling and ventilating air is critical to correct generator operation. Do not alter the installation or permit even partial blockage of ventilation provisions, as this can seriously affect safe operation of the generator. The generator MUST be operated outdoors.
- This exhaust system must be properly maintained. Do nothing that might render the exhaust system unsafe or in noncompliance with any local codes and/or standards.
- Always use a battery operated carbon monoxide alarm indoors, installed according to the manufacturers instructions.
- If you start to feel sick, dizzy, or weak after the generator has been running, move to fresh air IMMEDIATELY. See a doctor, as you could have carbon monoxide poisoning.

ELECTRICAL HAZARDS

- The generator produces dangerously high voltage when in operation. Avoid contact with bare wires, terminals, connections, etc., while the unit is running, even on equipment connected to the generator. Ensure all appropriate covers, guards and barriers are in place before operating the generator.
- Never handle any kind of electrical cord or device while standing in water, while barefoot or while hands or feet are wet. **DANGEROUS ELECTRICAL SHOCK MAY RESULT.**
- The National Electric Code (NEC) requires the frame and external electrically conductive parts of the generator be properly connected to an approved earth ground. Local electrical codes may also require proper grounding of the generator. Consult with a local electrician for grounding requirements in the area.
- Use a ground fault circuit interrupter in any damp or highly conductive area (such as metal decking or steel work).
- Do not use worn, bare, frayed or otherwise damaged electrical cord sets with the generator.
- Before performing any maintenance on the generator, disconnect the engine starting battery (if equipped) to prevent accidental start up. Disconnect the cable from the battery post indicated by a NEGATIVE, NEG or (-) first. Reconnect that cable last.
- In case of accident caused by electric shock, immediately shut down the source of electrical power. If this is not possible, attempt to free the victim from the live conductor. **AVOID DIRECT CONTACT WITH THE VICTIM.** Use a non-conducting implement, such as a rope or board, to free the victim from the live conductor. If the victim is unconscious, apply first aid and get immediate medical help.

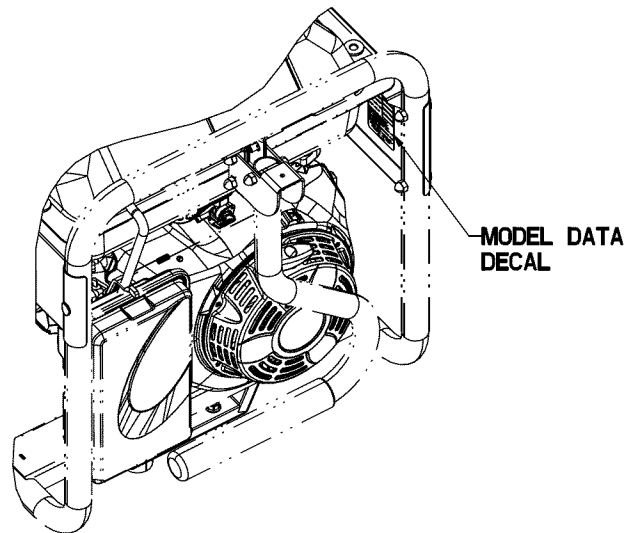
FIRE HAZARDS

- **Gasoline is highly FLAMMABLE and its vapors are EXPLOSIVE. Do not permit smoking, open flames, sparks or heat in the vicinity while handling gasoline.**
- Never add fuel while unit is running or hot. Allow engine to cool completely before adding fuel.
- **Never fill fuel tank indoors.** Comply with all laws regulating storage and handling of gasoline.
- **Do not overfill the fuel tank. Always allow room for fuel expansion.** If tank is over-filled, fuel can overflow onto a hot engine and cause FIRE or an EXPLOSION. Never store generator with fuel in tank where gasoline vapors might reach an open flame, spark or pilot light (as on a furnace, water heater or clothes dryer). FIRE or EXPLOSION may result. Allow unit to cool entirely before storage.
- Wipe up any fuel or oil spills immediately. Ensure that no combustible materials are left on or near the generator. Keep the area surrounding the generator clean and free from debris and keep a clearance of five (5) feet on all side to allow for proper ventilation of the generator.

- Do not insert objects through unit's cooling slots.
- **Do not** operate the generator if connected electrical devices overheat, if electrical output is lost, if engine or generator sparks or if flames or smoke are observed while unit is running.
- Keep a fire extinguisher near the generator at all times.

MODEL NO:	
SERIAL NO:	

Unit ID Location



STANDARDS INDEX

1. National Fire Protection Association (NFPA) 70: The NATIONAL ELECTRIC CODE (NEC) available from www.nfpa.org
2. National Fire Protection Association (NFPA) 5000: BUILDING CONSTRUCTION AND SAFETY CODE available from www.nfpa.org
3. International Building Code available from www.iccsafe.org
4. Agricultural Wiring Handbook available from www.nerc.org, Rural Electricity Resource Council P.O. Box 309 Wilmington, OH 45177-0309
5. ASAE EP-364.2 Installation and Maintenance of Farm Standby Electric Power available from www.asabe.org, American Society of Agricultural & Biological Engineers 2950 Niles Road, St. Joseph, MI 49085

This list is not all inclusive. Check with the Authority Having Local Jurisdiction (AHJ) for any local codes or standards which may be applicable to your jurisdiction.

CALIFORNIA PROPOSITION 65 WARNING

Engine exhaust and some of its constituents are known to the State of California to cause cancer, birth defects and other reproductive harm.

CALIFORNIA PROPOSITION 65 WARNING

This product contains or emits chemicals known to the State of California to cause cancer, birth defects and other reproductive harm.

General Information

1.1 UNPACKING

- Remove all packaging material.
- Remove separate accessory box.
- Remove the generator from carton.

1.1.1 ACCESSORY BOX

- 1-Owner's manual
- 1-Bottle of Oil SAE 30
- 3-Product Registration Cards (English, Spanish, French)
- 1-Battery Charger (electric start only)
- 1-Handle Assembly
- 1-Frame Foot (E)
- 2-Never-Flat Wheels (H)
- 1-Hardware bag (containing the following):
 - 2-Long Curved Head Bolts (A)
 - 2-Acorn Nuts (B)
 - 4-Flanged nuts (C)
 - 2-Rubber Feet (D)
 - 2-Short Bolts (F)
 - 2-Axle Pins (G)
 - 2-Washers (I)
 - 2-Cotter Pins (J)
 - 2-Flange Nuts (electric start only)

1.2 ASSEMBLY

The generator requires some assembly prior to using it. If problems arise when assembling the generator, please call the Generator Helpline at 1-888-436-3722.

1.2.1 ASSEMBLING THE ACCESSORY KIT

Refer to the instructions below and Figures 1A, 1B, and 1C to install the handle, feet, and wheels. Note: the handle components are already pre-assembled from the factory. The wheels are designed to greatly improve the portability of the generator. You will need the following tools to properly install the accessory kit:

- Ratchet and a 13mm [1/2"] socket
- 13mm [1/2"] box wrench
- Needle nose pliers

Handle

1. Install the handle assembly to the frame by using bolts (A) and nuts (B).

Feet

2. Use nuts (C) to mount the rubber feet (D) to the foot bracket (E).
3. Mount the foot bracket (E) to the frame with two bolts (F) and nuts (C).

Wheels

4. Slide axle pin (G) through wheel (H), washer (I), and through the bracket on the frame.
5. Secure axle pin (G) to the frame with the cotter pin (J).

6. Use a pliers and bend one tab of cotter pin (J) outward to lock into place.
7. Repeat steps 5, 6, & 7 for other wheel.

Figure 1A – Handle Assembly

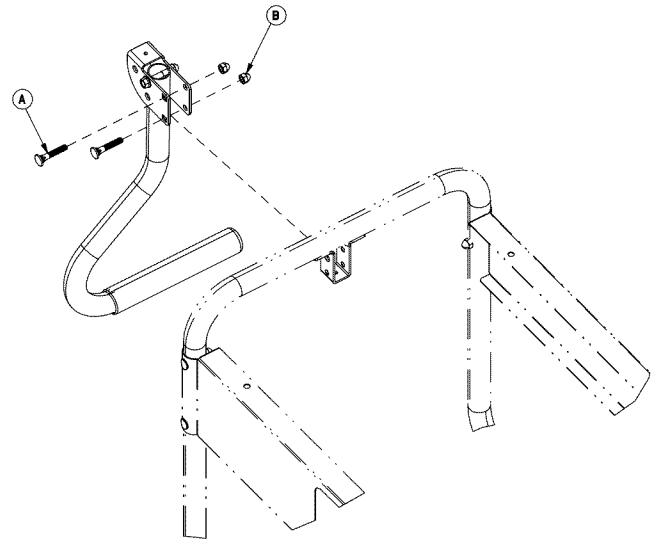


Figure 1B – Foot Assembly

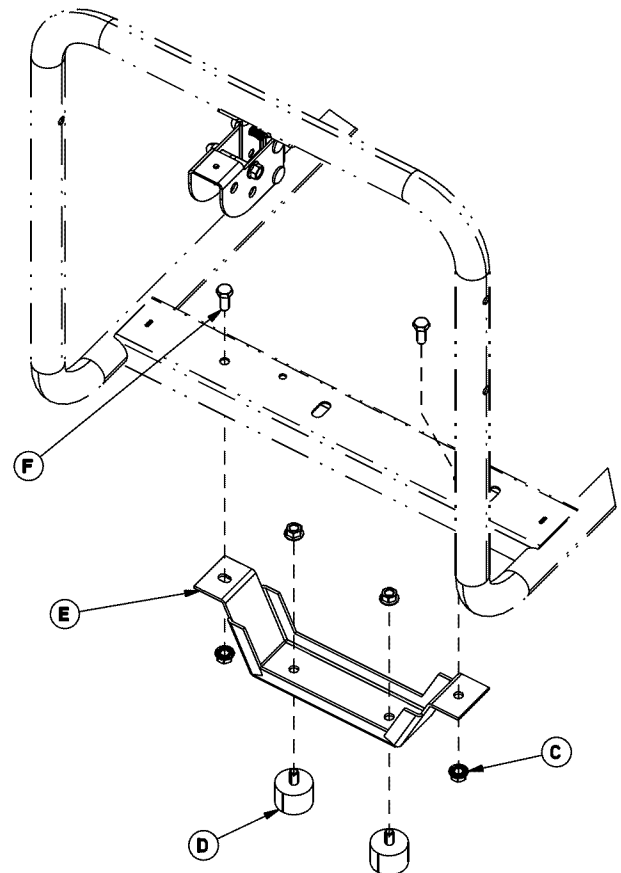
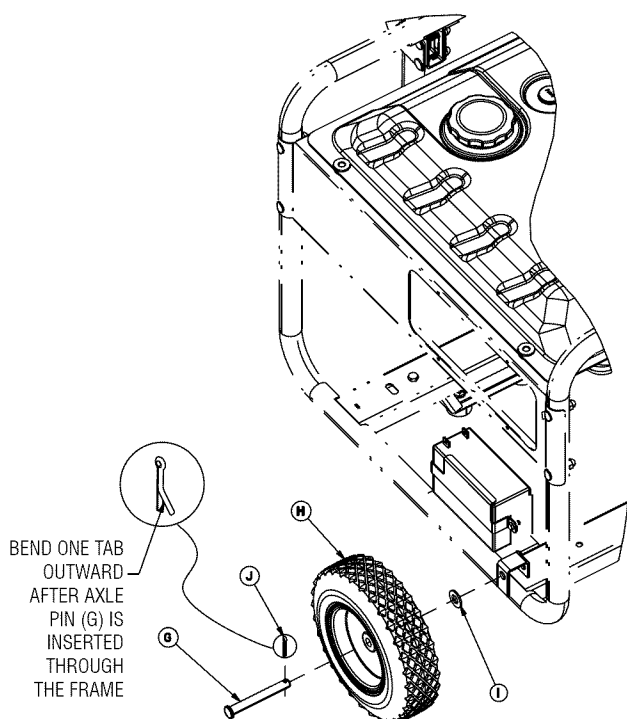


Figure 1C – Wheel Assembly



1.2.2 BATTERY CABLE CONNECTION (ELECTRIC START ONLY)

The unit has been deliberately shipped with the battery cables disconnected. You will need a 10mm wrench to secure the battery cables.

To connect the battery (see Figure 17 for connection details):

1. Cut off cable ties securing battery cables and remove red covers from battery terminals.
2. First, connect the red cable to the positive (+) battery terminal with the bolt, lock washer and nut supplied.
3. Connect the black cable to the negative (-) battery terminal with the bolt, lock washer and nut supplied.
4. Make sure all connections are secure. Slide the rubber boots over the terminals and connection hardware.

NOTE:

If the battery is unable to start the engine, charge it with the 12V charger included in the accessory box (see the "Charging a Battery" section for details).

2.1 KNOW THE GENERATOR

Read the Owner's Manual and Safety Rules before operating this generator.

Compare the generator to Figures 2 through 4 to become familiarized with the locations of various controls and adjustments. Save this manual for future reference.

1. **120 Volt AC, 20 Amp, Duplex Receptacle** – Supplies electrical power for the operation of 120 Volt AC, 20 Amp, single-phase, 60 Hz electrical lighting, appliance, tool and motor loads. CARB models are equipped with GFCI outlets.
2. **120/240 Volt AC, 30 Amp Locking Receptacle** – Supplies electrical power for the operation of 120 and/or 240 Volt AC, 30 Amp, single-phase, 60 Hz, electrical lighting, appliance, tool and motor loads.
3. **Circuit Breakers (AC)** – Each receptacle is provided with a push-to-reset circuit breaker to protect the generator against electrical overload.
4. **Oil Drain** – Use to drain engine oil.
5. **Air Filter** – Filters intake air as it is drawn into the engine.
6. **Choke Knob** – Used when starting a cold engine.
7. **Fuel Tank** – See generator Specifications for tank capacity.
8. **Grounding Lug** – Ground the generator to an approved earth ground here. See "Grounding the Generator" for details.
9. **Run/Stop Switch** – Controls the operation of the generator (pull start models).
- 9A. **Start Switch** – Used to start engine from the starter motor (electric start models only).
10. **Muffler** – Quiets the engine.
11. **Handle** – Pivot and retract for storage. Press the spring-loaded button to move handles.
12. **Gas Cap** – Fuel fill location.
13. **Fuel Gauge** – Shows fuel level in tank.
14. **Oil Fill** – Add oil here.
15. **Recoil Starter** – Use to start engine manually.
16. **Fuel Shut Off** – Valve between fuel tank and carburetor.
17. **Battery Charger Input** – This receptacle allows the capability to recharge the 12 volt DC storage battery provided with the 12 Volt Adaptor Plug Charger which is included in the Accessory Box. Located behind the battery charger input is a 1.50 Amp in-line fuse which is inside the control panel to protect the battery (electric start models only).
18. **Battery** – Powers the electric starter (electric start models only).
19. **Hourmeter** – Tracks hours of operation.
20. **Spark Arrestor** – Reduces fire hazards by containing sparks (CARB models only).

Operation

Figure 2A - Control Panel (49 State Models)

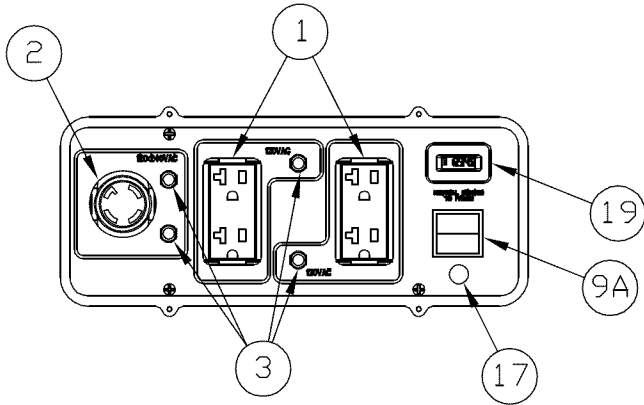


Figure 2B - Control Panel (CARB Models)

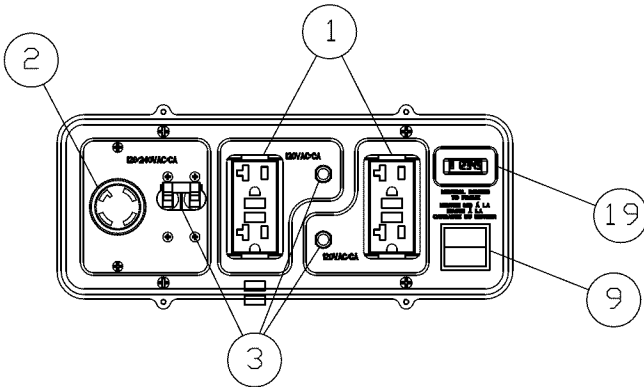


Figure 2C - Control Panel (CSA Models)

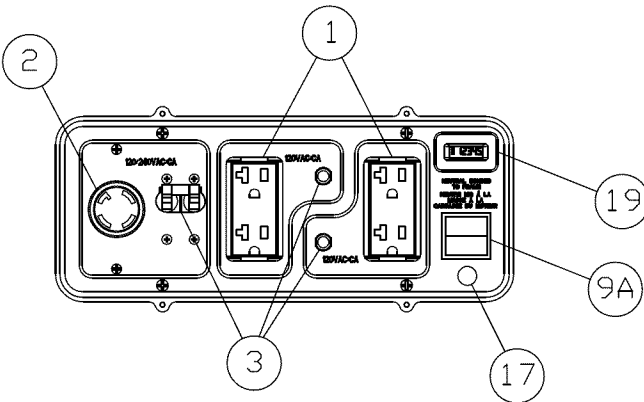


Figure 3 - Generator Controls

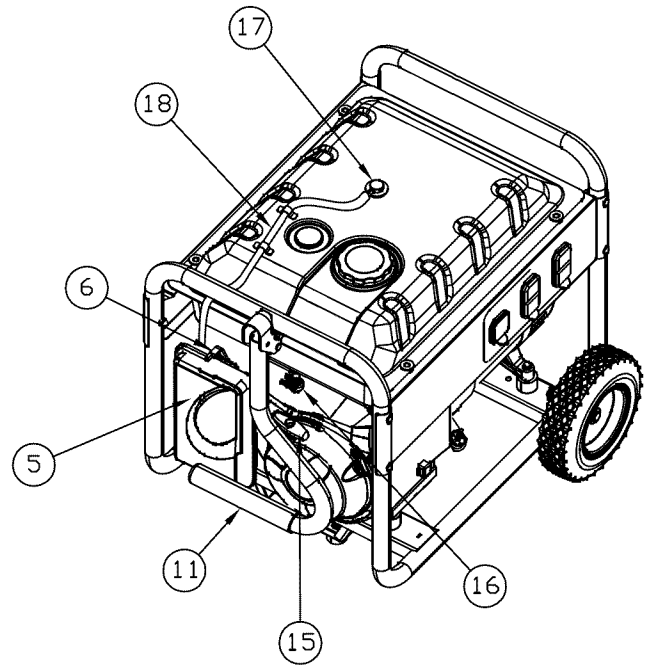
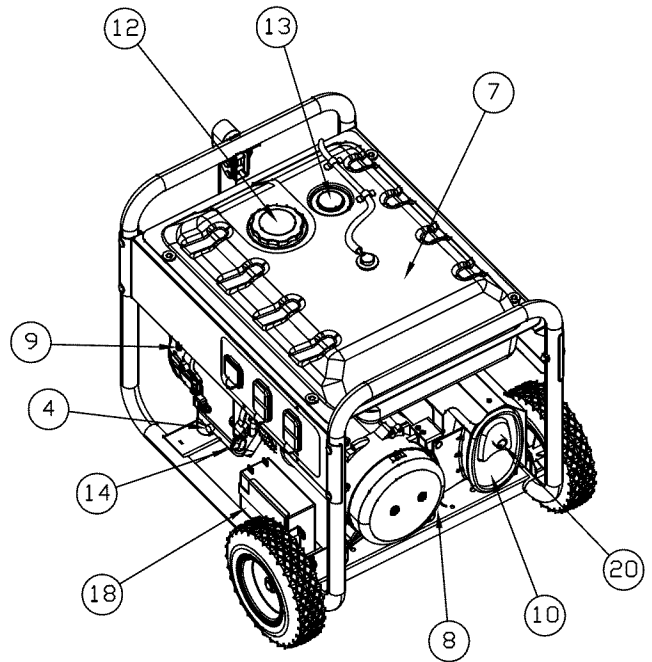


Figure 4 - Generator Controls



2.2 HOURMETER

The Hourmeter tracks hours of operation for scheduled maintenance (Figure 5):

There will be a "CHG OIL" message every 100 hours. The message will flash one hour before and one hour after each 100 hour interval, providing a two hour window to perform service.

This message will actually begin flashing at 99 hours and disable itself at 101 hours again, providing a two hour window to perform the service.

Every 200 hours the "SVC" icon on the lower left hand corner of the display will flash. The message will flash one hour before and one hour after each 200 hour interval providing a two hour window to perform service.

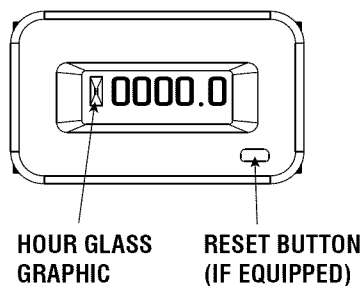
When the hour meter is in the Flash Alert mode, the maintenance message will always alternate with elapsed time in hours and tenths. The hours will flash four times, then alternate with the maintenance message four times until the meter resets itself.

- 100 hours - CHG OIL — Oil Change Interval (Every 100 hrs)
- 200 hours - SVC — Service Air Filter (Every 200 hrs)

Note:

The hour glass graphic will flash on and off when the engine is running. This signifies that the meter is tracking hours of operation.

Figure 5 – Hourmeter



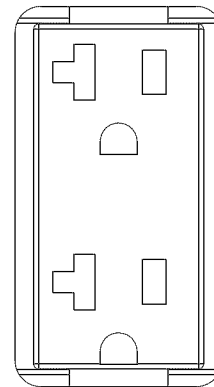
2.3 CORD SETS AND CONNECTION PLUGS

2.3.1 120 VAC, 20 AMP, DUPLEX RECEPTACLE

This is a 120 Volt outlet protected against overload by a 20 Amp push-to-reset circuit breaker (Figure 6). Use each socket to power 120 Volt AC, single phase, 60 Hz electrical loads requiring up to a combined 2400 watts (2.4 kW) or 20 Amps of current. Use only high quality, well-insulated, 3-wire grounded cord sets rated for 125 Volts at 20 Amps (or greater).

Keep extension cords as short as possible, preferably less than 15 feet long, to prevent voltage drop and possible overheating of wires.

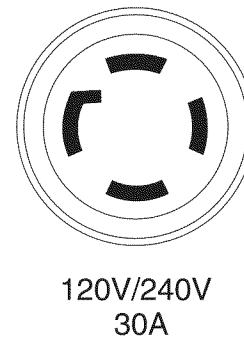
Figure 6 - 120 Volt AC, 20 Amp, Duplex Receptacle



2.3.2 120/240 VAC, 30 AMP RECEPTACLE

Use a NEMA L14-30 plug with this receptacle (rotate to lock/unlock). Connect a suitable 4-wire grounded cord set to the plug and to the desired load. The cord set should be rated for 250 Volts AC at 30 Amps (or greater) (Figure 7).

Figure 7 - 120/240 VAC, 30 Amp Receptacle



Use this receptacle to operate 120 Volt AC, 60 Hz, single phase loads requiring up to 3600 watts (3.6 kW) of power at 30 Amps or 240 Volt AC, 60 Hz, single phase loads requiring up to 7200 watts (7.2 kW) of power at 30 Amps. The outlet is protected by two 30 Amp push-to-reset circuit breakers.

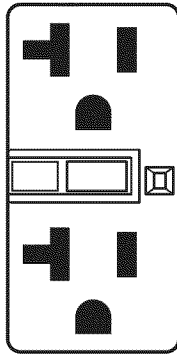
2.3.3 120 VAC, 20 AMP, GFCI DUPLEX RECEPTACLE

This is a 120 Volt outlet protected against overload by a 20 Amp push-to-reset circuit breaker (Figure 8). Use each socket to power 120 Volt AC, single phase, 60 Hz electrical loads requiring up to a combined 2400 watts (2.4 kW) or 20 Amps of current. Use only high quality, well-insulated, 3-wire grounded cord sets rated for 125 Volts at 20 Amps (or greater).

Keep extension cords as short as possible to prevent voltage drop and possible overheating of wires.

Operation

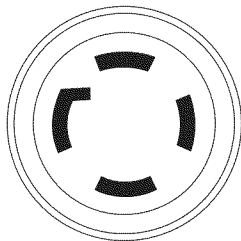
Figure 8 - 120 Volt AC, 20 Amp, GFCI Duplex Receptacle



2.3.4 120/240 VAC, 30 AMP RECEPTACLE

Use a NEMA L14-30 plug with this receptacle (rotate to lock/unlock). Connect a suitable 4-wire grounded cord set to the plug and to the desired load. The cord set should be rated for 250 Volts AC at 30 Amps (or greater) (Figure 9).

Figure 9 - 120/240 VAC, 30 Amp Receptacle



120V/240V
30A

Use this receptacle to operate 120 Volt AC, 60 Hz, single phase loads requiring up to 3600 watts (3.6 kW) of power at 30 Amps or 240 Volt AC, 60 Hz, single phase loads requiring up to 7200 watts (7.2 kW) of power at 30 Amps. The outlet is protected by two 25 Amp (5.0/5.5kW) or two 30 Amp (6.5kW) push-to-reset circuit breakers.

2.4 HOW TO USE THE GENERATOR

See the "To Start the Engine" section for how to safely start and stop the generator and how to connect and disconnect loads. If there are any problems operating the generator, please call the generator helpline at 1-888-436-3722.

⚠ DANGER!

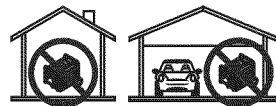
- ⚠ Never operate in an enclosed area or indoors! NEVER use in the home, in a vehicle, or in partly enclosed areas such as garages, EVEN IF doors and windows are open! ONLY use outdoors and far from open windows, doors, vents, and in an area that will not accumulate deadly exhaust.**

- ⚠ The engine exhaust fumes contain carbon monoxide, which you cannot see or smell. This poisonous gas, if breathed in sufficient concentrations, can cause unconsciousness or even death.**
- ⚠ Adequate, unobstructed flow of cooling and ventilating air is critical to correct generator operation. Do not alter the installation or permit even partial blockage of ventilation provisions, as this can seriously affect safe operation of the generator. The generator MUST be operated outdoors.**
- ⚠ This exhaust system must be properly maintained. Do nothing that might render the exhaust system unsafe or in noncompliance with any local codes and/or standards.**
- ⚠ Always use a battery operated carbon monoxide alarm indoors, installed according to the manufacturers instructions.**

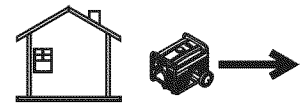
⚠ DANGER

Using a generator indoors **CAN KILL YOU IN MINUTES.**

Generator exhaust contains carbon monoxide. This is a poison you cannot see or smell.



NEVER use inside a home or garage, EVEN IF doors and windows are open.



Only use OUTSIDE and far away from windows, doors, and vents.

2.4.1 **GROUNDING THE GENERATOR WHEN USED AS A PORTABLE**

This generator has an equipment ground that connects the generator frame components to the ground terminals on the AC output receptacles (see NEC 250.34 (A) for explanation). This allows the generator to be used as a portable without grounding the frame of the generator as specified in NEC 250.34.

Special Requirements

There may be Federal or State Occupational Safety and Health Administration (OSHA) regulations, local codes, or ordinances that apply to the intended use of the generator.

Please consult a qualified electrician, electrical inspector, or the local agency having jurisdiction:

- In some areas, generators are required to be registered with local utility companies.
- If the generator is used at a construction site, there may be additional regulations which must be observed.

2.4.2 CONNECTING THE GENERATOR TO A BUILDING'S ELECTRICAL SYSTEM

Connections for standby power to a building's electrical system must be made by a qualified electrician and in strict compliance with all national and local electrical codes and laws. The connection must isolate the generator power from utility power or other alternative power sources.

NOTE:

Because the generator equipment ground is bonded to the AC neutral wires in the generator (see Figure 8), either a 3-pole transfer switch or a 2 pole transfer switch with a switching neutral kit is required to connect this generator to a building load. In this application the generator becomes a separately derived system (see NEC 250.20 (D)), and must be grounded in accordance with the national or local electrical code requirements.

Grounding the Generator in a Building Standby Application

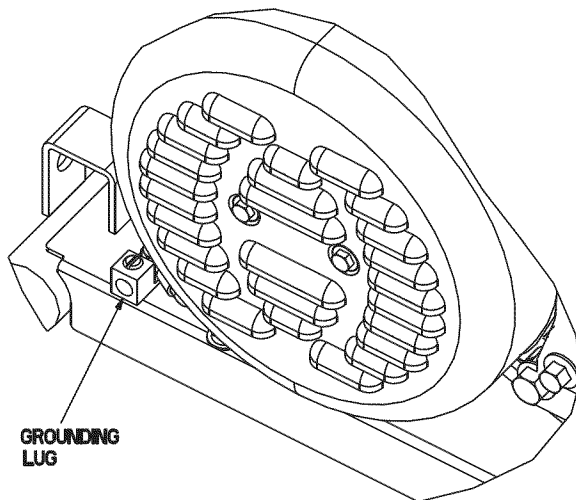
⚠ WARNING!

⚠ The National Electrical Code requires that the frame and external electrically conductive parts of this generator be properly connected to an approved earth ground.

Local electrical codes may also require proper grounding of the unit (Figure 10). For that purpose, connecting a No. 10 AWG (American Wire Gauge) stranded copper wire to the grounding lug and to an earth-driven copper or brass grounding rod (electrode) provides adequate protection against electrical shock. However, local codes may vary widely. **Consult with a local electrician for grounding requirements in the area.**

Proper grounding of the generator will help prevent electrical shock in the event of a ground fault condition in the generator or in connected electrical devices. Proper grounding also helps dissipate static electricity, which often builds up in ungrounded devices.

Figure 10 - Grounding the Generator



2.5 DON'T OVERLOAD THE GENERATOR

Overloading a generator in excess of its rated wattage capacity can result in damage to the generator and to connected electrical devices. Observe the following to prevent overloading the unit:

- Add up the total wattage of all electrical devices to be connected at one time. This total should NOT be greater than the generator's wattage capacity.
- The rated wattage of lights can be taken from light bulbs. The rated wattage of tools, appliances and motors can usually be found on a data label or decal affixed to the device.
- If the appliance, tool or motor does not give wattage, multiply volts times ampere rating to determine watts (volts x amps = watts).
- Some electric motors, such as induction types, require about three times more watts of power for starting than for running. This surge of power lasts only a few seconds when starting such motors. Make sure to allow for high starting wattage when selecting electrical devices to connect to the generator:
 1. Figure the watts needed to start the largest motor.
 2. Add to that figure the running watts of all other connected loads.

The Wattage Reference Guide is provided to assist in determining how many items the generator can operate at one time.

NOTE:

All figures are approximate. See data label on appliance for wattage requirements.

2.6 WATTAGE REFERENCE GUIDE

Device	Running Watts
*Air Conditioner (12,000 Btu)	1700
*Air Conditioner (24,000 Btu)	3800
*Air Conditioner (40,000 Btu)	6000
Battery Charger (20 Amp)	500
Belt Sander (3")	1000
Chain Saw	1200
Circular Saw (6-1/2")	.800 to 1000
*Clothes Dryer (Electric)	5750
*Clothes Dryer (Gas)	700
*Clothes Washer	1150
Coffee Maker	1750
*Compressor (1 HP)	2000
*Compressor (3/4 HP)	1800
*Compressor (1/2 HP)	1400
Curling Iron	700
*Dehumidifier	650
Disc Sander (9")	1200
Edge Trimmer	500
Electric Blanket	400
Electric Nail Gun	1200
Electric Range (per element)	1500
Electric Skillet	1250
*Freezer	700
*Furnace Fan (3/5 HP)	875
*Garage Door Opener	.500 to 750
Hair Dryer	1200
Hand Drill	.250 to 1100

Operation

Hedge Trimmer	450
Impact Wrench	500
Iron	1200
*Jet Pump	800
Lawn Mower	1200
Light Bulb	100
Microwave Oven	.700 to 1000
*Milk Cooler	1100
Oil Burner on Furnace	300
Oil Fired Space Heater (140,000 Btu)	400
Oil Fired Space Heater (85,000 Btu)	225
Oil Fired Space Heater (30,000 Btu)	150
*Paint Sprayer, Airless (1/3 HP)	600
Paint Sprayer, Airless (handheld)	150
Radio	.50 to 200
*Refrigerator	700
Slow Cooker	200
*Submersible Pump (1-1/2 HP)	2800
*Submersible Pump (1 HP)	2000
*Submersible Pump (1/2 HP)	1500
*Sump Pump	.800 to 1050
*Table Saw (10")	1750 to 2000
Television	.200 to 500
Toaster	1000 to 1650
Weed Trimmer	500

* Allow 3 times the listed watts for starting these devices.

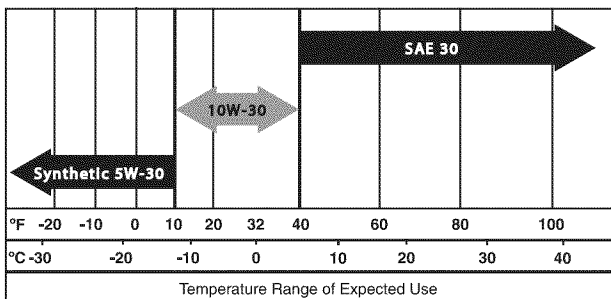
2.7 BEFORE STARTING THE GENERATOR

Prior to operating the generator, engine oil and gasoline will need to be added, as follows:

2.7.1 ADDING ENGINE OIL

All oil should meet minimum American Petroleum Institute (API) Service Class SJ, SL or better. Use no special additives. Select the oil's viscosity grade according to the expected operating temperature (also see chart).

- Above 40° F, use SAE 30
- Below 40° F and down to 10° F, use 10W-30
- Below 10° F, use synthetic 5W-30



⚠ CAUTION!

⚠ Any attempt to crank or start the engine before it has been properly serviced with the recommended oil may result in an engine failure.

1. Place generator on a level surface (not to exceed 15° in any direction).
2. Clean area around oil fill and remove oil fill cap.
3. Slowly fill engine with oil until the dipstick reads full. Stop filling occasionally to check oil level.
4. Install dipstick and finger tighten securely.
5. Check engine oil level before starting each time thereafter.

2.7.2 ADDING GASOLINE

⚠ DANGER!

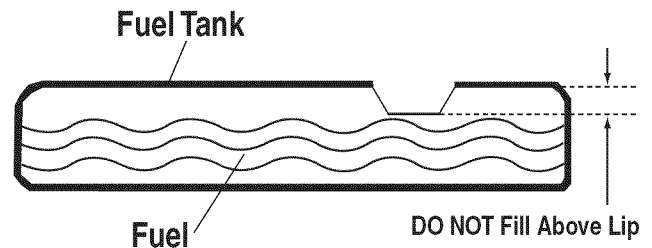
⚠ NEVER fill fuel tank indoors. Avoid spilling gasoline on hot engine. Allow engine to cool entirely before adding fuel. NEVER fill fuel tank when engine is running or hot. DO NOT light a cigarette or smoke when filling the fuel tank. Gasoline is highly flammable and its vapors are EXPLOSIVE.

⚠ Do not overfill the fuel tank. Always leave room for fuel expansion. If the fuel tank is overfilled, fuel can over flow onto a hot engine and cause fire or an explosion. Wipe up any spilled fuel immediately.

1. Use regular UNLEADED gasoline with the generator engine. Do not use premium gasoline. Do not mix oil with gasoline.
2. Clean area around fuel fill cap, remove cap.
3. Slowly add unleaded regular gasoline to fuel tank. Fill to bottom of screen filter. **Be careful not to overfill** (Figure 11).
4. Install fuel cap and wipe up any spilled gasoline.

IMPORTANT: It is important to prevent gum deposits from forming in fuel system parts such as the carburetor, fuel hose or tank during storage. Alcohol-blended fuels (called gasohol, ethanol or methanol) can attract moisture, which leads to separation and formation of acids during storage. Acidic gas can damage the fuel system of an engine while in storage. To avoid engine problems, the fuel system should be emptied before storage of 30 days or longer. See the "Storage" section. Never use engine or carburetor cleaner products in the fuel tank as permanent damage may occur.

Figure 11 - Fuel Tank



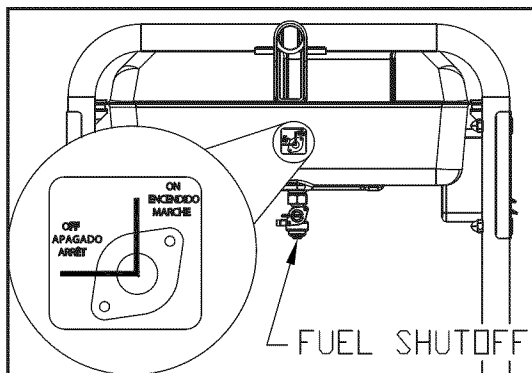
2.8 STARTING PULL START ENGINES

⚠ WARNING!

⚠ Never start or stop engine with electrical devices plugged into the receptacles AND devices turned on.

1. Unplug all electrical loads from the unit's receptacles before starting the engine.
2. Make sure the unit is in a level position (not to exceed 15° in any direction).
3. OPEN the Fuel Shut-off Valve (Figure 12).
4. Turn engine RUN/STOP switch to ON position (Figure 13).
5. Slide engine choke to the LEFT to FULL CHOKE position (Figure 14).

Figure 12 - Fuel Shut-off Valve



6. To start engine, firmly grasp the recoil handle and pull slowly until increased resistance is felt. Pull rapidly up and away.
7. When engine starts, move choke knob to 1/2-CHOKE position until engine runs smoothly and then fully into RUN position. If engine falters, move choke back out to 1/2-CHOKE position until engine runs smoothly and then to RUN position.

NOTE:

If engine fires, but does not continue to run, move choke lever to FULL CHOKE and repeat starting instructions.

IMPORTANT: Do not overload the generator. Also, do not overload individual panel receptacles. These outlets are protected against overload with push-to-reset-type circuit breakers. If amperage rating of any circuit breaker is exceeded, that breaker opens and electrical output to that receptacle is lost. Read "Don't Overload the Generator" carefully.

Figure 13 - Engine ON/OFF Switch

ENGINE ON/OFF SWITCH
(PULL START ENGINES ONLY)

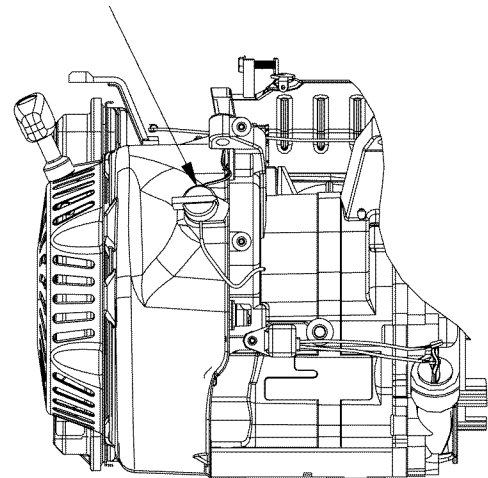
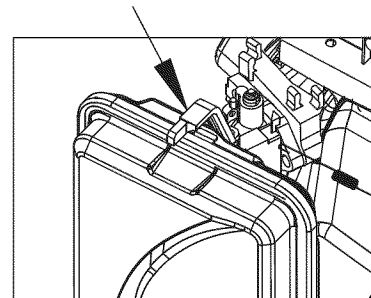


Figure 14 - Choke Position

CHOKE LEVER
LEFT = CHOKE (START)
RIGHT = RUN



2.9 STARTING ELECTRIC START ENGINES

⚠ WARNING!

⚠ Never start or stop engine with electrical devices plugged into the receptacles AND devices turned on.

1. Unplug all electrical loads from the unit's receptacles before starting the engine.
2. Make sure the unit is in a level position (not to exceed 15° in any direction).
3. Open the fuel shut-off valve (Figures 12).
4. Move engine CHOKE knob outward to FULL CHOKE position (Figure 14).
5. To start engine, press and hold the Start/Run/Stop switch in the "Start" position. The engine will crank and attempt to start. When the engine starts, release the switch to the run position.

Operation

- When the engine starts, move choke knob to “1/2 Choke” position until the engine runs smoothly and then fully in to the “Run” position. If engine falters, move choke knob back out to “1/2 Choke” position until the engine runs smoothly and then to “Run” position.

2.9.1 MANUAL START

This generator is also equipped with a manual recoil starter which may be used if the battery is discharged.

NOTE:

The switch must be in the RUN position. Use one of the generator's receptacle outlets along with the included battery charger to charge the battery while the generator is running.

- To start manually, firmly grasp the recoil handle and pull slowly until increased resistance is felt. Pull rapidly up and away to start engine. Then follow the same choke sequence.

NOTE:

If engine fires, but does not continue to run, move choke lever to FULL CHOKE and repeat starting instructions.

IMPORTANT: Do not overload the generator. Also, do not overload individual panel receptacles. These outlets are protected against overload with push-to-reset-type circuit breakers. If amperage rating of any circuit breaker is exceeded, that breaker opens and electrical output to that receptacle is lost. Read “Don't Overload the Generator” carefully.

2.10 STOPPING THE ENGINE

- Shut off all loads, then unplug the electrical loads from generator panel receptacles. Never start or stop the engine with electrical devices plugged in and turned on.
- Let engine run at no-load for several minutes to stabilize the internal temperatures of engine and generator.
- Move Run/Stop switch to OFF position.
- Close fuel valve.

2.11 LOW OIL LEVEL SHUTDOWN SYSTEM


The engine is equipped with a low oil level sensor that shuts down the engine automatically when the oil level drops below a specified level. If the engine shuts down by itself and the fuel tank has enough gasoline, check engine oil level.

2.11.1 SENSING LOW OIL LEVEL


If the system senses a low oil level during operation, the engine shuts down. The engine will not run until the oil has been refilled to the proper level.

2.12 CHARGING THE BATTERY (ELECTRIC START UNITS ONLY)

⚠ DANGER!

-  Storage batteries give off explosive hydrogen gas while recharging. An explosive mixture will remain around the battery for a long time after it has been charged. The slightest spark can ignite the hydrogen and cause an explosion. Such an explosion can shatter the battery and cause blindness or other serious injury.

⚠ DANGER!

-  Do not permit smoking, open flame, sparks or any other source of heat around a battery. Wear protective goggles, rubber apron and rubber gloves when working around a battery. Battery electrolyte fluid is an extremely corrosive sulfuric acid solution that can cause severe burns. If spill occurs flush area with clear water immediately.

NOTE:

The battery shipped with the generator has been fully charged. A battery may lose some of its charge when not in use for prolonged periods of time. If the battery is unable to crank the engine, plug in the 12V charger included in the accessory box. RUNNING THE GENERATOR DOES NOT CHARGE THE BATTERY.

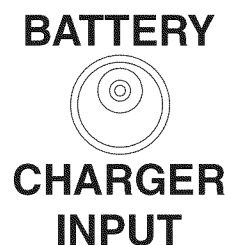
Use battery charger plug to keep the battery charged and ready for use. Battery charging should be done in a dry location.

- Plug charger into “Battery Charger Input” jack, located on the control panel. Plug wall receptacle end of the battery charger into a 120 Volt AC wall outlet.
- Unplug battery charger from wall outlet and control panel jack when generator is going to be in use.

NOTE:

Do not use the battery charger for more than 48 hours at one charge.

Figure 15 - Battery Charger Jack



3.1 PERFORMING SCHEDULED MAINTENANCE

It is important to perform service as specified in the Maintenance Schedule for proper generator operation, and to ensure that the generator complies with the applicable emission standards for the duration of its useful life. Service and repairs may be performed by any capable person or repair shop. Additionally, emissions critical maintenance must be performed as scheduled in order for the Emissions Warranty to be valid. Emissions critical maintenance consists of servicing the air filter and spark plugs in accordance with the Maintenance Schedule.

3.2 MAINTENANCE SCHEDULE

Follow the calendar intervals. More frequent service is required when operating in adverse conditions noted below.

Check Oil Level		At Each Use
Change Oil ‡	*Every 100 hours or	Every Season
Check Valve Clearance	***Every	Season
Service Air Filter	** Every 200 hours or	Every Season
Replace Spark Plug		Every Season

- ‡ Change oil after first 30 hours of operation then every season.
- * Change oil and oil filter every month when operating under heavy load or in high temperatures.
- ** Clean more often under dirty or dusty operating conditions. Replace air filter parts if they cannot be adequately cleaned.
- *** Check valve clearance and adjust if necessary after first 50 hours of operation and every 100 hours thereafter.

3.3 PRODUCT SPECIFICATIONS

3.3.1 GENERATOR SPECIFICATIONS

Rated Power	5.0/5.5/6.5 kW**
Surge Power	6.25/6.88/8.0 kW
Rated AC Voltage	120/240
Rated AC Load	
Current @ 240V (5.0/5.5/6.5 kW)	20.8/22.9/27.1 Amps**
Current @ 120V (5.0/5.5/6.5 kW)	41.6/45.8/54.2 Amps**
Rated Frequency	60 Hz @ 3600 RPM
Phase	Single Phase

** Maximum wattage and current are subject to, and limited by, such factors as fuel Btu content, ambient temperature, altitude, engine condition, etc.. Maximum power decreases about 3.5% for each 1,000 feet above sea level; and will also decrease about 1% for each 6° C (10° F) above 16° C (60° F) ambient temperature.

3.3.2 ENGINE SPECIFICATIONS

Displacement	389 cc
Spark Plug Type	NHSP LDF7TC or Champion N9YC
Spark Plug Part No.	OG84420101
Spark Plug Gap	0.028-0.031 inch or (0.70-0.80 mm)
Gasoline Capacity	7.2 U.S. gallons
Oil Type	See Chart in "Before Starting the Generator" Section
Oil Capacity	1 L (1.06 Qts.)
Run Time at 50% Load (5.0/5.5/6.5 kW)	10 Hours

3.3.3 EMISSIONS INFORMATION

The Environmental Protection Agency (and California Air Resource Board for generators certified to CA standards) require(s) that this generator comply with exhaust and evaporative emission standards. Locate the emissions compliance decal on the engine to determine what standards the generator meets. This generator is certified to operate on gasoline. The emission control system includes the following components (if equipped):

- Air Induction System
 - Intake Pipe / Manifold
 - Air Cleaner
- Fuel System
 - Carburetor
 - Fuel Tank / Cap
 - Fuel Lines
 - Evaporative Vent Lines
 - Carbon Canister
- Ignition System
 - Spark Plug
 - Ignition Module
- Exhaust System
 - Exhaust Manifold
 - Muffler
 - Pulsed Air Valve
 - Catalyst

3.4 GENERAL RECOMMENDATIONS

The warranty of the generator does not cover items that have been subjected to operator abuse or negligence. To receive full value from the warranty, the operator must maintain the generator as instructed in this manual.

Some adjustments will need to be made periodically to properly maintain the generator.

All adjustments in the Maintenance section of this manual should be made at least once each season. Follow the requirements in the "Maintenance Schedule".

NOTE:

Once a year replace the spark plug and replace the air filter. A new spark plug and clean air filter assure proper fuel-air mixture and help the engine run better and last longer.

3.4.1 GENERATOR MAINTENANCE

Generator maintenance consists of keeping the unit clean and dry. Operate and store the unit in a clean dry environment where it will not be exposed to excessive dust, dirt, moisture or any corrosive vapors. Cooling air slots in the generator must not become clogged with snow, leaves, or any other foreign material.

Check the cleanliness of the generator frequently and clean when dust, dirt, oil, moisture or other foreign substances are visible on its exterior surface.

▲ CAUTION!

 **Never insert any object or tool through the air cooling slots, even if the engine is not running.**

NOTE:

DO NOT use a garden hose to clean generator. Water can enter the engine fuel system and cause problems. In addition, if water enters the generator through cooling air slots, some water will be retained in voids and crevices of the rotor and stator winding insulation. Water and dirt buildup on the generator internal windings will eventually decrease the insulation resistance of these windings.

Maintenance

3.4.2 TO CLEAN THE GENERATOR

- Use a damp cloth to wipe exterior surfaces clean.
- A soft, bristle brush may be used to loosen caked on dirt, oil, etc.
- A vacuum cleaner may be used to pick up loose dirt and debris.
- Low pressure air (not to exceed 25 psi) may be used to blow away dirt. Inspect cooling air slots and openings on the generator. These openings must be kept clean and unobstructed.

3.4.3 ENGINE MAINTENANCE

⚠ DANGER!

⚠ When working on the generator, always disconnect negative cable from battery. Also disconnect spark plug wire from spark plug and keep wire away from spark plug.

3.4.4 CHECKING OIL LEVEL

See the "Before Starting the Generator" section for information on checking the oil level. The oil level should be checked before each use, or at least every eight hours of operation. Keep the oil level maintained.

3.4.5 CHANGING THE OIL

Change the oil after the first 30 hours of operation. Change the oil every 100 hours or every season thereafter. If running this unit under dirty or dusty conditions, or in extremely hot weather, change the oil more often.

⚠ CAUTION!

⚠ Hot oil may cause burns. Allow engine to cool before draining oil. Avoid prolonged or repeated skin exposure with used oil. Thoroughly wash exposed areas with soap.

Use the following instructions to change the oil after the engine cools down:

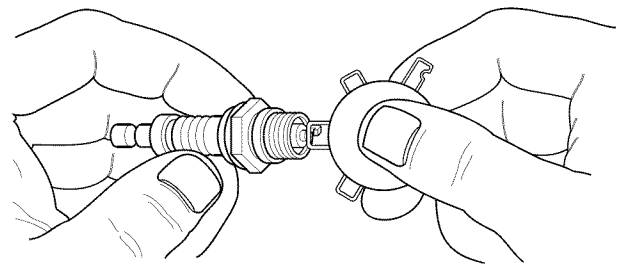
1. Clean area around oil drain plug.
2. Remove oil drain plug from engine and oil fill plug to drain oil completely into a suitable container.
3. When oil has completely drained, install oil drain plug and tighten securely.
4. Fill oil sump with recommended oil. (See "Before Starting the Generator" for oil recommendations).
5. Wipe up any spilled oil.
6. Dispose of used oil at a proper collection center.

3.4.6 REPLACING THE SPARK PLUG

See Engine Specifications for recommended spark plug. **Replace the plug once each year.** This will help the engine start easier and run better.

1. Stop the engine and pull the spark plug wire off of the spark plug.
2. Clean the area around the spark plug and remove it from the cylinder head.
3. Set the spark plug's gap to 0.70-0.80 mm (0.028-0.031 in.). Install the correctly gapped spark plug into the cylinder head (Figure 16).

Figure 16 - Spark Plug Gap



3.4.7 BATTERY REPLACEMENT (IF APPLICABLE)

NOTE:

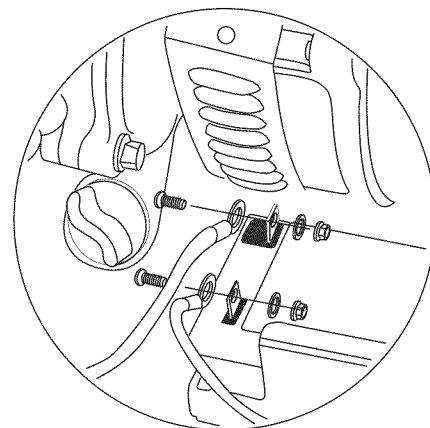
The battery shipped with the generator has been fully charged. A battery may lose some of its charge when not in use for prolonged periods of time. If the battery is unable to crank the engine, plug in the 12V charger included in the accessory box (see the Charging a Battery section). **RUNNING THE GENERATOR DOES NOT CHARGE THE BATTERY.** The part number for this battery is 0G9449.

⚠ CAUTION!

⚠ The **NEGATIVE** battery terminal should:

1. Always be **DISCONNECTED FIRST.**
2. Always be **CONNECTED LAST.**

Figure 17 - Battery Connections



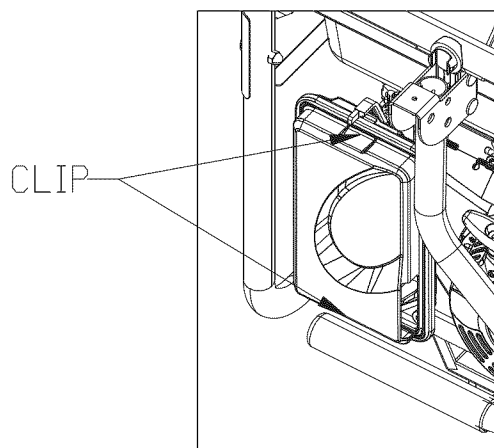
3.5 SERVICE AIR CLEANER

The engine will not run properly and may be damaged if using a dirty air cleaner. Clean or replace the air cleaner paper filter once a year. Clean or replace more often if operating under dusty conditions (Figure 18). The air filter part number is OG84420151.

To clean or replace paper air filter:

1. Remove air cleaner cover and remove paper filter.
2. Clean paper filter by tapping it gently on a solid surface. If the filter is too dirty, replace it with a new one. Dispose of the old filter properly.
3. Clean air cleaner cover, then insert new paper filter into the base of the air cleaner. Re-install air cleaner cover.

Figure 18 - Air Filter



3.5.1 CLEAN SPARK ARRESTOR SCREEN (CARB MODELS)

The engine exhaust muffler has a spark arrestor screen. Inspect and clean the screen at least once each year (Figure 19). If unit is used regularly, inspect and clean more often.

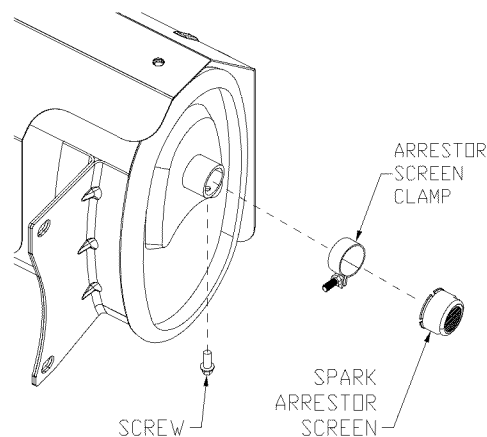
⚠ DANGER!

⚠ If using the generator on any forest-covered, brush-covered or grass-covered unimproved land, it must be equipped with a spark arrestor. The spark arrestor must be maintained in good condition by the owner/operator.

Clean and inspect the spark arrestor when the engine is at ambient temperature as follows:

1. Remove the spark arrestor screen from the muffler by loosening the clamp and removing the screw.
2. Inspect screen and replace if torn, perforated or otherwise damaged. **DO NOT USE** a defective screen. If screen is not damaged, clean it with commercial solvent.
3. Replace the spark arrestor and secure with the clamp and screw.

Figure 19 – Spark Arrestor Screen



NOTE:

To order a new air filter or spark arrestor screen, please contact the nearest authorized service center at 1-800-333-1322.

3.6 VALVE CLEARANCE

- Intake — $0.15 \pm 0.02\text{mm}$ (cold), $(0.006" \pm 0.0008"$ inches)
- Exhaust — $0.20 \pm 0.02\text{mm}$ (cold) $(0.008" \pm 0.0008"$ inches)

After the first 50 hours of operation, check the valve clearance in the engine and adjust if necessary.

Important: If feeling uncomfortable about doing this procedure or the proper tools are not available, please take the generator to the nearest service center to have the valve clearance adjusted. This is a very important step to ensure longest life for the engine.

3.7 GENERAL

The generator should be started at least once every thirty days and be allowed to run at least 30 minutes. If this cannot be done and the unit must be stored for more than 30 days, use the following information as a guide to prepare it for storage.

⚠ DANGER!

⚠ NEVER store engine with fuel in tank indoors or in enclosed, poorly ventilated areas where fumes may reach an open flame, spark or pilot light as on a furnace, water heater, clothes dryer or other gas appliance.

⚠ Allow unit to cool entirely before storage.

3.8 LONG TERM STORAGE

It is important to prevent gum deposits from forming in essential fuel system parts such as the carburetor, fuel hose or tank during storage. Also, experience indicates that alcohol-blended fuels (called gasohol, ethanol or methanol) can attract moisture, which leads to separation and formation of acids during storage. Acidic gas can damage the fuel system of an engine while in storage.

To avoid engine problems, the fuel system should be emptied before storage of 30 days or longer, as follows:


1. Add a quality gasoline stabilizer to the fuel per the manufacturers specifications, and run the unit for 10-15 minutes.
2. After engine cools down, remove all gasoline from the fuel tank. Use a commercially available, non-conductive vacuum siphon.

DANGER!

 **Drain fuel into approved container outdoors, away from open flame. Be sure engine is cool. Do not smoke.**

3. Start and run engine until engine stops from lack of fuel.
4. After engine cools down, drain oil from engine. Refill with recommended grade.
5. Remove spark plug and pour about 1/2 ounce (15 ml) of engine oil into the cylinder. Cover spark plug hole with rag. Pull the recoil starter a couple times to lubricate the piston rings and cylinder bore. A fogging agent can also be used in the place of oil.

CAUTION!


 **Avoid spray from spark plug hole when cranking engine.**

6. Install and tighten spark plug. Do not connect spark plug wire.
7. Clean the generator outer surfaces. Check that cooling air slots and openings on generator are open and unobstructed.
8. Store the unit in a clean, dry place.

3.9 OTHER STORAGE TIPS

- Do not store gasoline from one season to another.
- Replace the gasoline can if it starts to rust. Rust and/or dirt in the gasoline will cause problems with the carburetor and fuel system.
- If possible, store the unit indoors and cover it to give protection from dust and dirt. **BE SURE TO EMPTY THE FUEL TANK.**
- If it is not practical to empty the fuel tank and the unit is to be stored for some time, use a commercially available fuel stabilizer added to the gasoline to increase the life of the gasoline. Run the unit for 10-15 minutes, turn off the fuel valve and allow to run until engine stops from lack of fuel.
- Cover the unit with a suitable protective cover that does not retain moisture.

DANGER!

 **NEVER cover the generator while engine and exhaust areas are warm.**

4.1 TROUBLESHOOTING GUIDE

PROBLEM	CAUSE	CORRECTION
Engine is running, but no AC output is available.	<ol style="list-style-type: none"> 1. Circuit breaker is open. 2. Poor connection or defective cord set. 3. Connected device is bad. 4. Fault in generator. 	<ol style="list-style-type: none"> 1. Reset circuit breaker. 2. Check and repair. 3. Connect another device that is in good condition. 4. Contact Authorized Service Facility.
Engine runs well but bogs down when loads are connected.	<ol style="list-style-type: none"> 1. Short circuit in a connected load. 2. Generator is overloaded. 3. Engine speed is too slow. 4. Shorted generator circuit. 	<ol style="list-style-type: none"> 1. Disconnect shorted electrical load. 2. See "Don't Overload the Generator" . 3. Contact Authorized Service Facility. 4. Contact Authorized Service Facility.
Engine will not start; or starts and runs rough.	<ol style="list-style-type: none"> 1. Fuel Shut-off is OFF. 2. Dirty air filter. 3. Out of gasoline. 4. Stale gasoline. 5. Spark plug wire not connected to spark plug. 6. Bad spark plug. 7. Water in gasoline. 8. Over-choking. 9. Low oil level. 10. Excessive rich fuel mixture. 11. Intake valve stuck open or closed. 12. Engine has lost compression. 	<ol style="list-style-type: none"> 1. Turn Fuel Shut-off to ON. 2. Clean or replace air filter. 3. Fill fuel tank. 4. Drain fuel tank and fill with fresh fuel. 5. Connect wire to spark plug. 6. Replace spark plug. 7. Drain fuel tank; fill with fresh fuel. 8. Put choke knob to No Choke position. 9. Fill crankcase to proper level. 10. Contact Authorized Service Facility. 11. Contact Authorized Service Facility. 12. Contact Authorized Service Facility.
Engine shuts down during operation.	<ol style="list-style-type: none"> 1. Out of gasoline. 2. Low oil level. 3. Fault in engine. 	<ol style="list-style-type: none"> 1. Fill fuel tank. 2. Fill crankcase to proper level. 3. Contact Authorized Service Facility.
Engine lacks power.	<ol style="list-style-type: none"> 1. Load is too high. 2. Dirty air filter. 3. Engine needs to be serviced. 	<ol style="list-style-type: none"> 1. Reduce load (see "Don't Overload the Generator"). 2. Clean or replace air filter. 3. Contact Authorized Service Facility.
Engine "hunts" or falters.	<ol style="list-style-type: none"> 1. Choke is opened too soon. 2. Carburetor is running too rich or too lean. 	<ol style="list-style-type: none"> 1. Move choke to halfway position until engine runs smoothly. 2. Contact Authorized Service Facility.

Warranty

U.S. EPA EMISSION CONTROL WARRANTY STATEMENT YOUR WARRANTY RIGHTS AND OBLIGATIONS

The United States Environmental Protection Agency (EPA) and Generac Power Systems, Inc. (Generac) are pleased to explain the Emission Control System Warranty (ECS Warranty) on your new 2011 and later equipment. New equipment that use small spark-ignited engines must be designed, built, and equipped to meet stringent anti-smog standards for the federal government. Generac will warrant the emission control system on your equipment for the period of time listed below provided there has been no abuse, neglect, unapproved modification or improper maintenance of your equipment. The emission control system on this equipment includes all components whose failure would increase the emissions of any regulated pollutant. These components are listed in the Emissions Information section of this manual.

MANUFACTURER'S WARRANTY COVERAGE:

This ECS Warranty is valid for two years, or for the same period as specified in the Generac Limited Warranty, whichever is longer. For equipment with hour meters, the warranty period is a number of hours equal to half the Useful Life to which the equipment is certified, or the warranty period specified above in years, whichever is less. The Useful Life can be found on the Emission Control Label on the engine. If, during such warranty period, any emission-related part on your equipment is found to be defective in materials or workmanship, repairs or replacement will be performed by a Generac Authorized Warranty Service Dealer.

OWNER'S WARRANTY RESPONSIBILITIES:

As the equipment owner, you are responsible for the completion of all required maintenance as listed in your factory supplied Owner's Manual. For warranty purposes, Generac recommends that you retain all receipts covering maintenance on your generator, but Generac cannot deny warranty solely due to the lack of receipts.

You should be aware that Generac may deny any and/or all warranty coverage or responsibility if your equipment, or a part/component thereof, has failed due to abuse, neglect, improper maintenance, or unapproved modifications.

You are responsible for contacting a Generac Authorized Warranty Dealer as soon as a problem occurs. The warranty repairs should be completed in a reasonable amount of time, not to exceed 30 days.

Warranty service can be arranged by contacting either your selling dealer or a Generac Authorized Warranty Service Dealer. To locate the Generac Authorized Warranty Service Dealer nearest you, call our toll free number below, or email emissions@generac.com.

1-800-333-1322

IMPORTANT NOTE: This warranty statement explains your rights and obligations under the Emission Control System Warranty, which is provided to you by Generac pursuant to federal law. See also the "Generac Limited Warranties for Generac Power Systems, Inc.," which is enclosed herewith on a separate sheet, also provided to you by Generac. Note that this warranty shall not apply to any incidental, consequential or indirect damages caused by defects in materials or workmanship or any delay in repair or replacement of the defective part(s). This warranty is in place of all other warranties, expressed or implied. Specifically, Generac makes no other warranties as to the merchantability or fitness for a particular purpose. Any implied warranties which are allowed by law, shall be limited in duration to the terms of the express warranty provided herein. Some states do not allow limitations on how long an implied warranty lasts, so the above limitation may not apply to you.

The ECS Warranty applies only to the emission control system of your new equipment. Both the ECS Warranty and the Generac Warranty describe important rights and obligations with respect to your new engine.

Warranty service can be performed only by a Generac Authorized Warranty Service Facility. When requesting warranty service, evidence must be presented showing the date of the sale to the original purchaser/owner.

If you have any questions regarding your warranty rights and responsibilities, you should contact Generac at the following address:

**ATTENTION WARRANTY DEPARTMENT
GENERAC POWER SYSTEMS, INC.
P.O. BOX 297 • WHITEWATER, WI 53190**

Part 1 of 2

Warranty

EMISSION CONTROL SYSTEM WARRANTY

Emission Control System Warranty (ECS Warranty) for equipment using small spark-ignited engines:

- (a) Applicability: This warranty shall apply to equipment that uses small off-road engines. The ECS Warranty period shall begin on the date the new equipment is purchased by/delivered to its original, end-use purchaser/owner and shall continue for the lesser of:
- (1) The period of time specified in the Generac Limited Warranty enclosed herewith, but not less than 24 months, or
 - (2) For engines equipped with hour meters, a number of operating hours equal to half of the engine's useful life. The useful life is specified on the Emissions Control Label on the engine.
- (b) General Emissions Warranty Coverage: Generac warrants to the original, end-use purchaser/owner of the new engine or equipment and to each subsequent purchaser/owner that the ECS when installed was:
- (1) Designed, built and equipped so as to conform with all applicable regulations; and
 - (2) Free from defects in materials and workmanship which cause the failure of a warranted part at any time during the ECS Warranty Period.
- (c) The warranty on emissions-related parts will be interpreted as follows:
- (1) Any warranted part that is not scheduled for replacement as required maintenance in the Owner's Manual shall be warranted for the ECS Warranty Period. If any such part fails during the ECS Warranty Period, it shall be repaired or replaced by Generac according to Subsection (4) below. Any such part repaired or replaced under the ECS Warranty shall be warranted for the remainder of the ECS Warranty Period.
 - (2) Any warranted part that is scheduled only for regular inspection as specified in the Owner's Manual shall be warranted for the ECS Warranty Period. A statement in the Owner's Manual to the effect of "repair or replace as necessary" shall not reduce the ECS Warranty Period. Any such part repaired or replaced under the ECS Warranty shall be warranted for the remainder of the ECS Warranty Period.
 - (3) Any warranted part that is scheduled for replacement as required maintenance in the Owner's Manual shall be warranted for the period of time prior to first scheduled replacement point for that part. If the part fails prior to the first scheduled replacement, the part shall be repaired or replaced by Generac according to Subsection (4) below. Any such emissions-related part repaired or replaced under the ECS warranty shall be warranted for the remainder of the period prior to the first scheduled replacement point for that part.
 - (4) Repair or replacement of any warranted, emissions-related part under this ECS Warranty shall be performed at no charge to the owner at a Generac Authorized Warranty Service Facility.
 - (5) Notwithstanding the provisions of subsection (4) above, warranty services or repairs must be provided at Generac Authorized Service Facilities.
 - (6) When the engine is inspected by a Generac Authorized Warranty Service Facility, the purchaser/owner shall not be held responsible for diagnostic costs if the repair is deemed warrantable.
 - (7) Throughout the ECS Warranty Period, Generac shall maintain a supply of warranted emission-related parts sufficient to meet the expected demand for such parts.
 - (8) Any Generac authorized and approved emission-related replacement parts may be used in the performance of any ECS Warranty maintenance or repairs and will be provided without charge to the purchaser/owner. Such use shall not reduce Generac's ECS Warranty obligations.
 - (9) No modifications, other than those explicitly approved by Generac, may be made to the generator. Unapproved modifications void this ECS Warranty and shall be sufficient ground for disallowing an ECS Warranty claim.
 - (10) Generac shall not be held liable hereunder for failures of any non-authorized replacement parts, or failures of any authorized parts caused by the use of non-authorized replacement parts.

EMISSION RELATED PARTS MAY INCLUDE THE FOLLOWING (IF EQUIPPED):

- | | |
|----------------------------------|--------------------------|
| 1) FUEL METERING SYSTEM | 3) IGNITION SYSTEM |
| A. CARBURETOR AND INTERNAL PARTS | A. SPARK PLUGS |
| B. FUEL TANK/CAP | B. IGNITION COILS/MODULE |
| C. FUEL LINES | 4) AIR INJECTION SYSTEM |
| D. EVAPORATIVE VENT LINES | A. PULSE AIR VALVE |
| E. REGULATOR (GASEOUS FUELS) | 5) EXHAUST SYSTEM |
| 2) AIR INDUCTION SYSTEM | A. CATALYST |
| A. INTAKE MANIFOLD | B. EXHAUST MANIFOLD |
| B. AIR FILTER | |

Part 2 of 2

Warranty

EMISSION WARRANTY FOR CARB CERTIFIED EQUIPMENT

CALIFORNIA AND U.S. EPA EMISSION CONTROL WARRANTY STATEMENT YOUR WARRANTY RIGHTS AND OBLIGATIONS

The California Air Resource Board (CARB) and the United States Environmental Protection Agency (EPA), together with Generac Power Systems, Inc. (Generac) are pleased to explain the Emission Control System Warranty (ECS Warranty) on your new 2012 equipment. New equipment that use small spark-ignited engines must be designed, built, and equipped to meet stringent anti-smog standards for the state of California and the federal government. Generac will warrant the emission control system on your equipment for the period of time listed below provided there has been no abuse, neglect, unapproved modification or improper maintenance of your equipment.

The emission control system on this equipment includes all components whose failure would increase the emissions of any regulated pollutant. These components are listed in the Emissions Information section of this manual.

MANUFACTURER'S WARRANTY COVERAGE:

This ECS Warranty is valid for two years, or for the same period as specified in the Generac Limited Warranty, whichever is longer. For equipment with hour meters, the warranty period is a number of hours equal to half the Useful Life to which the equipment is certified, or the warranty period specified above in years, whichever is less. The Useful Life can be found on the Emission Control Label on the engine. If, during such warranty period, any emission-related part on your equipment is found to be defective in materials or workmanship, repairs or replacement will be performed by a Generac Authorized Warranty Service Dealer.

OWNER'S WARRANTY RESPONSIBILITIES:

As the equipment owner, you are responsible for the completion of all required maintenance as listed in your factory supplied Owner's Manual. For warranty purposes, Generac recommends that you retain all receipts covering maintenance on your generator, but Generac cannot deny warranty solely due to the lack of receipts.

You should be aware that Generac may deny any and/or all warranty coverage or responsibility if your equipment, or a part/component thereof, has failed due to abuse, neglect, improper maintenance, or unapproved modifications.

You are responsible for contacting a Generac Authorized Warranty Dealer as soon as a problem occurs. The warranty repairs should be completed in a reasonable amount of time, not to exceed 30 days.

Warranty service can be arranged by contacting either your selling dealer or a Generac Authorized Warranty Service Dealer. To locate the Generac Authorized Warranty Service Dealer nearest you, call our toll free number below, or email emissions@generac.com.

1-800-333-1322

IMPORTANT NOTE: This warranty statement explains your rights and obligations under the Emission Control System Warranty, which is provided to you by Generac pursuant to federal law. See also the "Generac Limited Warranties for Generac Power Systems, Inc.," which is enclosed herewith on a separate sheet, also provided to you by Generac. Note that this warranty shall not apply to any incidental, consequential or indirect damages caused by defects in materials or workmanship or any delay in repair or replacement of the defective part(s). This warranty is in place of all other warranties, expressed or implied. Specifically, Generac makes no other warranties as to the merchantability or fitness for a particular purpose. Any implied warranties allowed by law shall be limited in duration to the terms of the express warranty provided herein. Some states do not allow limitations on how long an implied warranty lasts, so the above limitation may not apply to you.

The ECS Warranty applies only to the emission control system of your new equipment. Both the ECS Warranty and the Generac Warranty describe important rights and obligations with respect to your new engine.

Warranty service can be performed only by a Generac Authorized Warranty Service Facility. When requesting warranty service, evidence must be presented showing the date of the sale to the original purchaser/owner.

If you have any questions regarding your warranty rights and responsibilities, you should contact Generac at the following address:

**ATTENTION WARRANTY DEPARTMENT
GENERAC POWER SYSTEMS, INC.
P.O. BOX 297 • WHITEWATER, WI 53190**

Part 1 of 2

Part No. 0J8147C Rev. A 01/12

Warranty

EMISSION WARRANTY FOR CARB CERTIFIED EQUIPMENT

EMISSION CONTROL SYSTEM WARRANTY

Emission Control System Warranty (ECS Warranty) for equipment using small spark-ignited engines:

- (a) Applicability: This warranty shall apply to equipment that uses small off-road engines. The ECS Warranty period shall begin on the date the new equipment is purchased by/delivered to its original, end-use purchaser/owner and shall continue for the lesser of:
- (1) The period of time specified in the Generac Limited Warranty enclosed herewith, but not less than 24 months, or
 - (2) For engines equipped with hour meters, a number of operating hours equal to half of the engine's useful life. The useful life is specified on the Emissions Control Label on the engine.
- (b) General Emissions Warranty Coverage: Generac warrants to the original, end-use purchaser/owner of the new engine or equipment and to each subsequent purchaser/owner that the ECS when installed was:
- (1) Designed, built and equipped so as to conform with all applicable regulations; and
 - (2) Free from defects in materials and workmanship which cause the failure of a warranted part at any time during the ECS Warranty Period.
- (c) The warranty on emissions-related parts will be interpreted as follows:
- (1) Any warranted part that is not scheduled for replacement as required maintenance in the Owner's Manual shall be warranted for the ECS Warranty Period. If any such part fails during the ECS Warranty Period, it shall be repaired or replaced by Generac according to Subsection (4) below. Any such part repaired or replaced under the ECS Warranty shall be warranted for the remainder of the ECS Warranty Period.
 - (2) Any warranted part that is scheduled only for regular inspection as specified in the Owner's Manual shall be warranted for the ECS Warranty Period. A statement in the Owner's Manual to the effect of "repair or replace as necessary" shall not reduce the ECS Warranty Period. Any such part repaired or replaced under the ECS Warranty shall be warranted for the remainder of the ECS Warranty Period.
 - (3) Any warranted part that is scheduled for replacement as required maintenance in the Owner's Manual shall be warranted for the period of time prior to first scheduled replacement point for that part. If the part fails prior to the first scheduled replacement, the part shall be repaired or replaced by Generac according to Subsection (4) below. Any such emissions-related part repaired or replaced under the ECS warranty shall be warranted for the remainder of the period prior to the first scheduled replacement point for that part.
 - (4) Repair or replacement of any warranted, emissions-related part under this ECS Warranty shall be performed at no charge to the owner at a Generac Authorized Warranty Service Facility.
 - (5) Notwithstanding the provisions of subsection (4) above, warranty services or repairs must be provided at Generac Authorized Service Facilities.
 - (6) When the engine is inspected by a Generac Authorized Warranty Service Facility, the purchaser/owner shall not be held responsible for diagnostic costs if the repair is deemed warrantable.
 - (7) Throughout the ECS Warranty Period, Generac shall maintain a supply of warranted emission-related parts sufficient to meet the expected demand for such parts.
 - (8) Any Generac authorized and approved emission-related replacement parts may be used in the performance of any ECS Warranty maintenance or repairs and will be provided without charge to the purchaser/owner. Such use shall not reduce Generac ECS Warranty obligations.
 - (9) No modifications, other than those explicitly approved by Generac, may be made to the generator. Unapproved modifications void this ECS Warranty and shall be sufficient ground for disallowing an ECS Warranty claim.
 - (10) Generac shall not be held liable hereunder for failures of any non-authorized replacement parts, or failures of any authorized parts caused by the use of non-authorized replacement parts.

EMISSION RELATED PARTS MAY INCLUDE THE FOLLOWING (IF EQUIPPED):

- | | |
|----------------------------------|----------------------------|
| 1) FUEL METERING SYSTEM | 3) IGNITION SYSTEM |
| A. CARBURETOR AND INTERNAL PARTS | A. SPARK PLUGS |
| B. FUEL TANK / CAP | B. IGNITION COILS / MODULE |
| C. FUEL LINES | 4) AIR INJECTION SYSTEM |
| D. EVAPORATIVE VENT LINES | A. PULSE AIR VALVE |
| E. REGULATOR (GASEOUS FUELS) | 5) EXHAUST SYSTEM |
| F. CARBON CANISTER | A. CATALYST |
| 2) AIR INDUCTION SYSTEM | B. EXHAUST MANIFOLD |
| A. INTAKE MANIFOLD | |
| B. AIR FILTER | |

Warranty

GENERAC POWER SYSTEMS “TWO YEAR” LIMITED WARRANTY FOR GP SERIES PORTABLE GENERATORS

For a period of two (2) years from the date of original sale, Generac Power Systems, Inc. (Generac) warrants its GP Series generators will be free from defects in materials and workmanship for the items and period set forth below. Generac will, at its discretion, repair or replace any part that, upon examination, inspection and testing by Generac or a Generac Authorized Warranty Service Dealer, is found to be defective. Repair or replacement pursuant to this limited warranty shall not renew or extend the original warranty period. Any repaired product shall be warranted for the remaining original warranty period only. Any equipment that the purchaser/owner claims to be defective must be returned to and examined by the nearest Generac Authorized Warranty Service Dealer. All transportation costs under the warranty, including return to the factory, are to be borne and prepaid by the purchaser/owner. This warranty applies only to Generac GP Series portable generators and is not transferable from original purchaser. Save your proof-of-purchase receipt. If you do not provide proof of the initial purchase date, the manufacturer's shipping date of the product will be used to determine the warranty period.

WARRANTY SCHEDULE

Consumer applications are warranted for two (2) years. Commercial and Rental applications are warranted for one (1) year or 1000 hours maximum, whichever comes first.

CONSUMER APPLICATION FOR THE UNITED STATES AND CANADA ONLY

YEAR ONE – Limited comprehensive coverage on Labor and Part(s) listed (proof of purchase and maintenance is required):

- Engine- All Components
- Alternator- All Components

YEAR TWO – Limited comprehensive coverage on Part(s) listed (proof of purchase and maintenance is required):

- Engine- All Components
- Alternator- All Components

COMMERCIAL/RENTAL APPLICATION

YEAR ONE – Limited comprehensive coverage on Labor and Part(s) listed (proof of purchase and maintenance is required):

- Engine- All Components
- Alternator- All Components

NOTE: For the purpose of this warranty “consumer use” means personal residential household or recreational use by original purchaser. This warranty does not apply to units used for Prime Power in place of utility where utility power service is present or where utility power service does not normally exist. Once a generator has experienced commercial or rental use, it shall thereafter be considered a non-consumer use generator for the purpose of this warranty.

GUIDELINES:

1. All warranty repairs, must be performed and/or addressed by an Authorized/Certified Generac Dealer, or branch thereof.
2. Units that have been resold are not covered under the Generac Warranty, as this Warranty is not transferable.
3. Use of Non-Generac replacement part(s) will void the warranty in its entirety.
4. Generac may choose to Repair, Replace or Refund a piece of equipment.
5. Warranty Labor Rates are based on normal working hours. Additional costs for overtime, holiday or emergency labor costs for repairs outside of normal business hours will be the responsibility of the customer.
6. Warranty Parts shipment costs are reimbursed at ground shipment rates. Costs related to requests for expedited shipping will be the responsibility of the customer.
7. Batteries are warranted by the battery manufacturer.
8. Verification of required maintenance may be required for warranty coverage.

THIS WARRANTY SHALL NOT APPLY TO THE FOLLOWING:

1. Costs of normal maintenance and adjustments.
2. Failures caused by any contaminated fuels, oils or lack of proper oil levels.
3. Repairs or diagnostics performed by individuals other than Generac authorized dealers not authorized in writing by Generac.
4. Failures due, but not limited to, normal wear and tear, accident, misuse, abuse, negligence or improper use.
5. As with all mechanical devices, the Generac engines need periodic part(s) service and replacement to perform as designed. This warranty will not cover repair when normal use has exhausted the life of a part(s) or engine.
6. Failures caused by any external cause or act of God, such as collision, theft, vandalism, riot or wars, nuclear holocaust, fire, freezing, lightning, earth-quake, windstorm, hail, volcanic eruption, water or flood, tornado or hurricane.
7. Damage related to rodent and/or insect infestation.
8. Products that are modified or altered in a manner not authorized by Generac in writing.
9. Any incidental, consequential or indirect damages caused by defects in materials or workmanship, or any delay in repair or replacement of the defective part(s).
10. Failure due to misapplication.
11. Expenses related to “customer instruction” or troubleshooting where no manufacturing defect is found.
12. Rental equipment used while warranty repairs are being performed.
13. Starting batteries, fuses, light bulbs and engine fluids.

THIS WARRANTY IS IN PLACE OF ALL OTHER WARRANTIES, EXPRESSED OR IMPLIED. SPECIFICALLY, GENERAC MAKES NO OTHER WARRANTIES AS TO THE MERCHANTABILITY OR FITNESS FOR A PARTICULAR PURPOSE. Any implied warranties allowed by law shall be limited in duration to the terms of the express warranty provided herein. Some states do not allow limitations on how long an implied warranty lasts, so the above limitation may not apply to you. GENERAC'S ONLY LIABILITY SHALL BE THE REPAIR OR REPLACEMENT OF PART(S) AS STATED ABOVE. IN NO EVENT SHALL GENERAC BE LIABLE FOR ANY INCIDENTAL OR CONSEQUENTIAL DAMAGES, EVEN IF SUCH DAMAGES ARE A DIRECT RESULT OF GENERAC'S NEGLIGENCE. Some states do not allow the exclusion or limitation of incidental or consequential damages, so the above limitation may not apply to you. This warranty gives you specific legal rights. You also have other rights from state to state.

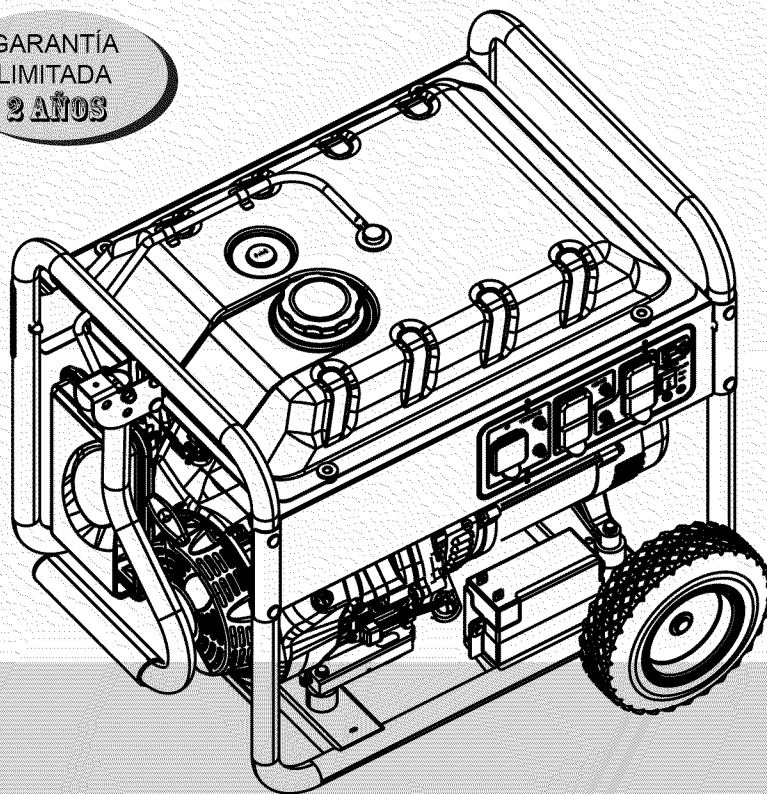
GENERAC POWER SYSTEMS, INC. • P.O. BOX 8 • Waukesha, WI 53187 • Ph: (888) GENERAC (436-3722) • Fax: (262) 544-4851

To locate the nearest Authorized Dealer visit our website www.generac.com

Manual del propietario

Generadores portátiles serie GP

GARANTÍA
LIMITADA
2 AÑOS



⚠ PELIGRO

- ⚠ ¡HUMOS DE ESCAPE MORTALES! ¡Utilícelo SOLAMENTE al AIRE LIBRE y lejos de ventanas, puertas y respiraderos!
- ⚠ NO DISEÑADO PARA SER USADO EN APLICACIONES DE SOPORTE DE VIDA CRÍTICA.
- ⚠ GUARDE este Manual. Proporcione este manual a cualquier operador del generador.

Tabla de contenidos

Introducción	25	Mantenimiento	37	
Lea este manual completamente	25	3.1	Cómo realizar mantenimiento programado.....37	
Reglas de seguridad	25	3.2	Programa de mantenimiento.....37	
Índice de estándares	27	3.3	Especificaciones del producto	37
		3.3.1	Especificaciones del generador.....37	
		3.3.2	Especificaciones del motor	37
		3.3.3	Información de emisiones.....37	
Información general	28	3.4	Recomendaciones generales.....37	
1.1	Desempaque.....28	3.4.1	Mantenimiento del generador	37
1.1.1	Caja de accesorios	3.4.2	Para limpiar el generador	38
1.1.128	3.4.3	Mantenimiento del motor	38
1.2	Ensamble.....28	3.4.4	Verificación del nivel de aceite.....38	
1.2.1	Ensamble del kit de accesorios.....28	3.4.5	Cambio del aceite de motor.....38	
1.2.2	Conexión del cable de la batería (sólo para arranque eléctrico).....29	3.4.6	Reemplazo de la bujía.....38	
		3.4.7	Reemplazo de la batería (si corresponde).....38	
		3.5	Servicio del limpiador de aire	39
		3.5.1	Limpie el filtro del supresor de chispas (modelos CARB).....39	
		3.6	Espacio de la válvula.....39	
		3.7	Generales.....39	
		3.8	Almacenamiento a largo plazo.....40	
		3.9	Otros consejos de almacenamiento.....40	
Operación	29	Detección de fallas	41	
2.1	Conozca el generador.....29	4.1	Guía de detección de problemas	41
2.2	Horómetro.....31			
2.3	Cables y enchufes de conexión	Garantía	42	
2.3.1	Receptáculo doble de 120 VAC, 20 amperios...31			
2.3.2	Receptáculo de 120/240 VAC, 30 amperios.....31			
2.3.3	Receptáculo doble GFCI, 120 VAC, 20 amperios			
2.3.331			
2.3.4	Receptáculo de 120/240 VAC, 30 amperios.....32			
2.4	Cómo usar el generador.....32			
2.4.1	Cómo poner a tierra el generador cuando se usa como portátil.....32			
2.4.2	Cómo conectar el generador a un sistema eléctrico de edificio			
2.4.233			
2.5	No sobrecargue el generador.....33			
2.6	Guía de referencia de potencia			
2.633			
2.7	Antes de arrancar el generador.....34			
2.7.1	Agregado de aceite de motor			
2.7.134			
2.7.2	Agregado de combustible			
2.7.234			
2.8	Arranque de motores con cable de arranque			
2.835			
2.9	Arranque de motores con arranque eléctrico			
2.935			
2.9.1	Manual de inicio			
2.9.136			
2.10	Parado del motor.....36			
2.11	Sistema de apagado por bajo nivel de aceite			
2.1136			
2.11.1	Detección de nivel bajo de aceite			
2.11.136			
2.12	Cómo cargar la batería (sólo para unidades con arranque eléctrico).....36			
2.1236			

INTRODUCCIÓN

Gracias por comprar este modelo de Generac Power Systems, Inc. Este modelo es un generador impulsado por motor, refrigerado por aire, compacto y de alto rendimiento diseñado para proporcionar energía eléctrica para operar cargas eléctricas donde no haya servicio público de electricidad o en reemplazo de la red eléctrica en caso de apagones.

LEA ESTE MANUAL COMPLETAMENTE

Si alguna parte de este manual no se entiende bien, póngase en contacto con el concesionario autorizado más cercano para conocer los procedimientos de arranque, operación y servicio.

El operador es responsable del uso apropiado y seguro de este equipo. Recomendamos encarecidamente que el operador lea este manual y entienda completamente todas las instrucciones antes de usar este equipo. Asimismo recomendamos con igual firmeza el instruir a otros usuarios para arrancar y operar apropiadamente la unidad. Esto los prepara si necesitan operar el equipo en alguna emergencia.

El generador puede operar en forma segura, eficiente y confiable sólo si se le ubica, se le opera y mantiene en forma apropiada. Antes de operar o dar servicio al generador:

- Familiarícese y adhiérase estrictamente a todos los códigos y regulaciones locales, estatales y nacionales.
- Estudie todas las advertencias de seguridad en este manual y en el producto con mucho cuidado.
- Familiarícese con este manual y la unidad antes de usarla.

El fabricante no puede anticipar todas las posibles circunstancias que puedan involucrar peligros. Las advertencias en este manual y en las etiquetas y calcomanías fijadas en la unidad son, por tanto, no completamente inclusivas. Si se usa un procedimiento, método de trabajo o técnica de operación que el fabricante no recomienda específicamente, asegúrese de que sea seguro para los demás. Asimismo asegúrese que el procedimiento, método de trabajo o técnica de operación utilizada no vuelva inseguro al generador.

LA INFORMACIÓN CONTENIDA AQUÍ SE BASÓ EN MÁQUINAS EN PRODUCCIÓN AL MOMENTO DE LA PUBLICACIÓN. GENERAC SE RESERVA EL DERECHO DE MODIFICAR ESTE MANUAL EN CUALQUIER MOMENTO.

REGLAS DE SEGURIDAD

A lo largo de esta publicación, y en lo que respecta a las etiquetas y calcomanías fijadas en el generador, los bloques de PELIGRO, ADVERTENCIA, CUIDADO Y NOTA se usan para alertar al personal sobre instrucciones especiales sobre una operación en particular que puede ser peligrosa si se ejecuta en forma incorrecta o sin cuidado. Obsérvelas con cuidado. Sus definiciones son como sigue:

PELIGRO

INDICA UNA SITUACIÓN PELIGROSA O ACCIÓN QUE, SI NO SE EVITA, TRAERÁ COMO RESULTADO LA MUERTE O UN DAÑO SERIO.

ADVERTENCIA

Indica una situación peligrosa o acción que, si no se evita, podría traer como resultado la muerte o un daño serio.

CUIDADO


Indica una situación peligrosa o acción que, si no se evita, puede traer como resultado un daño menor o moderado.


NOTA:

Las notas contienen información adicional importante para un procedimiento y se les encontrará dentro del cuerpo de este manual.


Estas advertencias de seguridad no pueden eliminar los peligros que indican. El sentido común y un estricto cumplimiento de las instrucciones especiales cuando se realiza la acción o servicio son esenciales para evitar accidentes.

Cuatro símbolos de seguridad usados comúnmente acompañan los bloques de **PELIGRO**, **ADVERTENCIA** y **CUIDADO**. El tipo de información que cada uno indica es como sigue:

 **Este símbolo señala importante información de seguridad que, si no se sigue, puede poner en peligro la seguridad personal y/o las propiedades de otros.**

 **Este símbolo indica un peligro potencial de explosión.**

 **Este símbolo indica un peligro potencial de incendio.**

 **Este símbolo indica un peligro potencial de choque eléctrico.**

PELIGROS GENERALES

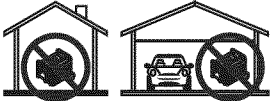
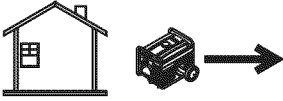
- NUNCA opere en un área cerrada o en interiores, en un vehículo, incluso si las puertas y ventanas están abiertas.
- Por razones de seguridad, el fabricante recomienda que el mantenimiento de este equipo sea llevado a cabo por un concesionario autorizado. Inspeccione el generador con regularidad, y póngase en contacto con el concesionario autorizado más cercano si necesita repararlo o conseguir repuestos.
- Opere el generador sólo en superficies planas y donde no esté expuesto a excesiva humedad, suciedad, polvo o vapores corrosivos.
- Mantenga las manos, pies, ropa, etc, lejos de las correas de tracción, ventiladores y otras partes móviles. Nunca retire ninguna protección o escudo de ventilador mientras la unidad esté operando.
- Ciertas partes del generador se calientan en extremo durante la operación. Aléjese del generador hasta que se haya enfriado para evitar quemaduras severas.
- NO opere el generador en la lluvia.
- No altere la construcción del generador ni cambie los controles de modo que puedan crear una condición de operación no segura.
- Nunca arranque o detenga la unidad con cargas eléctricas conectadas a las tomas Y con dispositivos conectados y encendidos. Arranque el motor y deje que se estabilice antes de conectar las cargas eléctricas. Desconecte todas las cargas eléctricas antes de apagar el generador.
- No inserte objetos a través de las ranuras de enfriamiento de la unidad.
- Al trabajar con este equipo, manténgase alerta en todo momento. Nunca trabaje en el equipo cuando esté física o mentalmente fatigado.

Reglas de seguridad

- Nunca use el generador ni alguna de sus partes como escalón. Pararse sobre la unidad puede tensar y romper partes, y puede traer como resultado condiciones peligrosas de operación como escape de gases, combustible o aceite.
- En los modelos de arranque eléctrico, desconecte el cable de batería POSITIVO (+) del arrancador del motor O el cable de batería NEGATIVO (-) del terminal de la batería, lo que sea más fácil, antes de transportar el generador.

PELIGROS DEL ESCAPE Y UBICACIÓN

- **iNunca opere en áreas cerradas o interiores! iNUNCA opere en un área cerrada, en un vehículo, o en el interior AUNQUE las puertas y ventanas están abiertas! Úselo SÓLO en exteriores y lejos de ventanas abiertas, puertas, ductos de ventilación y en áreas que no acumularán el mortal escape.**

⚠ PELIGRO	
El uso del generador en ambientes cerrados PUEDE MATARLO EN MINUTOS.	
El los gases de escape del generador contienen monóxido de carbono. Este es un venenos que no se puede ver ni oler.	
	
NUNCA lo utilice dentro de una casa o garaje, INCLUSO SI las puertas y las ventanas están abiertas.	Utilícelo SOLAMENTE al aire libre y lejos de ventanas, puertas, respiraderos.

- Los humos del escape del motor contienen monóxido de carbono, que no se puede oler ni ver. Este gas venenoso, si se aspira en concentraciones suficientes, puede hacerle perder la conciencia y causarle la muerte.
- El flujo adecuado y sin obstrucciones de aire para ventilación y refrigeración es crítico para la correcta operación del generador. No altere la instalación ni permita que haya siquiera un bloqueo parcial de la provisión de ventilación, ya que esto puede afectar seriamente la operación segura del generador. El generador DEBE ser operado en exteriores.
- Este sistema de escape debe tener un apropiado mantenimiento. No haga nada que pueda poner en peligro la seguridad del escape o que no cumpla con algún código local o estándar.
- Siempre use una alarma de monóxido de carbono operada con baterías en los interiores, instalada de acuerdo a las instrucciones del fabricante.
- Si empieza a sentirse mal, mareado o débil luego de que el generador esté en funcionamiento, busque aire fresco INMEDIATAMENTE. Vaya al médico, ya que podría tener envenenamiento por monóxido de carbono.

PELIGROS ELÉCTRICOS

- El generador produce alto voltaje peligroso durante la operación. Evite el contacto con cables pelados, terminales conexiones, etc. mientras la unidad está funcionando, aún con equipo conectado al generador. Asegúrese que todas las cubiertas, protecciones y barreras apropiadas se encuentren en su lugar antes de operar el generador.
- Nunca manipule ningún cable eléctrico ni dispositivo mientras esté de pie sobre agua, con los pies descalzos o con las manos o pies húmedos. **PUEDE HABER UNA DESCARGA ELÉCTRICA COMO RESULTADO.**
- El Código Eléctrico Nacional (NEC) requiere que el marco y las partes externas que son conductores eléctricos estén conectadas apropiadamente a una conexión a tierra aprobada. Los códigos eléctricos locales pueden asimismo requerir una apropiada conexión a tierra del generador. Consulte con un electricista local los requerimientos de conexión a tierra para su área.
- Use un circuito interruptor de falla de tierra en cualquier área húmeda o altamente conductiva (como estanterías de metal o trabajos en acero).
- No use cables eléctricos gastados, pelados, deshilachados o de algún modo dañados con el generador.
- Antes de realizar cualquier mantenimiento al generador, desconecte los cables de arranque del motor (si los hubiera) para evitar un arranque accidental. Desconecte primero el cable del borne de la batería indicado como NEGATIVO, NEG; o (-). Reconecte ese cable al final.
- En caso de un accidente causado por descarga eléctrica, apague inmediatamente la fuente de energía eléctrica. Si esto no es posible, intente liberar a la víctima del conductor vivo. **EVITE EL CONTACTO DIRECTO CON LA VÍCTIMA.** Use un implemento no conductivo, como una soga o una tabla, para liberar a la víctima del conductor vivo. Si la víctima está inconsciente, aplique los primeros auxilios y consiga ayuda médica inmediatamente.

PELIGROS DE INCENDIO

- **La gasolina es altamente INFLAMABLE y sus vapores son EXPLOSIVOS. No permita que fumen, haga fuegos abiertos, chispas o calor en la vecindad mientras manipula gasolina.**
- Nunca añada gasolina mientras la unidad está funcionando o está caliente. Deje enfriar al motor completamente antes de añadir combustible.
- **Nunca llene el tanque de combustible en el interior de la casa.** Cumpla todas las leyes que regulan el almacenamiento y manipulación de gasolina.
- **No sobrecargue el tanque de combustible. Deje siempre espacio para la expansión del combustible.** Si el tanque está sobrecargado, el combustible puede desparramarse sobre el motor caliente y causar un INCENDIO o una EXPLOSIÓN. Nunca almacene el generador con combustible en el tanque donde los vapores de la gasolina pueden alcanzar llamas abiertas, chispas o fuegos piloto (como en una chimenea, calentador de agua o secador de ropa). Puede generarse un INCENDIO o una EXPLOSIÓN. Deje enfriar la unidad completamente antes de almacenarse.
- Limpie cualquier derrame de combustible o aceite inmediatamente. Asegúrese de que no haya materiales combustible dejados sobre o cerca del generador. Mantenga el área alrededor del generador limpia y libre de residuos y conserve una claridad de cinco (5) pies a todos los lados para permitir una ventilación apropiada para el generador.
- No inserte objetos a través de las ranuras de enfriamiento de la unidad.
- **No opere el generador si los dispositivos eléctricos conectados sobrecalientan, si la salida eléctrica se pierde, si el motor o el generador bota chispas o se observa humo mientras la unidad está funcionando.**
- Tenga un extinguidor cerca al generador en todo momento.

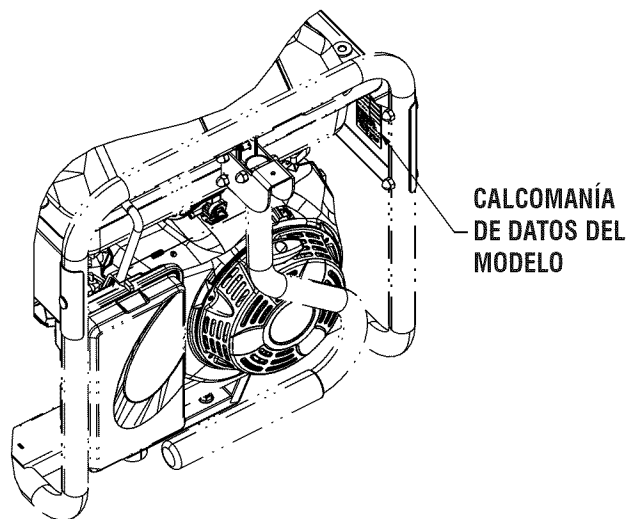
ÍNDICE DE ESTÁNDARES

1. Asociación nacional de protección contra incendios (NFPA) 70: El CÓDIGO ELÉCTRICO NACIONAL (NEC) disponible en www.nfpa.org
2. Asociación nacional de protección contra incendios (NFPA) 5000: CÓDIGO DE EDIFICACIÓN Y SEGURIDAD disponible en www.nfpa.org
3. El Código internacional de la construcción disponible en www.iccsafe.org
4. Manual de Cableado Agrícola disponible en www.rerc.org , Consejo de Recursos de Electricidad Rural P.O. Box 309 Wilmington, OH 45177-0309
5. ASAE EP-364.2 Instalación y mantenimiento de energía eléctrica de respaldo en granjas disponible en www.asabe.org, Sociedad Americana de Ingenieros Agrícolas y Biológicos 2950 Niles Road, St. Joseph, MI 49085

Esta lista no es inclusiva. Verifique con la Autoridad con jurisdicción local (AHJ) cualesquiera códigos locales o normas que puedan ser aplicables a su jurisdicción.

MODELO N°:	
N° DE SERIE:	

Ubicación del IP de la unidad



ADVERTENCIA PROPOSICIÓN 65 DE CALIFORNIA

El Estado de California sabe que el escape del motor y algunos de sus componentes causan cáncer, defectos de nacimiento y otros daños reproductivos.

ADVERTENCIA PROPOSICIÓN 65 DE CALIFORNIA

Este producto contiene o emite químicos que el Estado de California sabe que causan cáncer, defectos de nacimiento u otros daños reproductivos.

Información general

1.1 DESEMPAQUE

- Retire todo el material de empaque.
- Retire la caja separada de accesorios.
- Retire el generador de la caja.

1.1.1 CAJA DE ACCESORIOS

- 1-Manual del propietario
- 1-Botella de aceite SAE 30
- 3-Tarjetas de registro del producto (inglés, español, francés)
- 1-Cargador de la batería (arranque eléctrico solamente)
- 1-Ensamble de la manija
- 1-Pata del marco (E)
- 2-Llantas desinfladas nunca (H)
- 1 - Bolsa de hardware (que contiene lo siguiente):
 - 2-Pernos de cabeza redonda largos (A)
 - 2-Tuercas ciegas (B)
 - 4-Tuercas de brida (C)
 - 2-Patas de goma (D)
 - 2-Pernos cortos (F)
 - 2-Clavijas de eje (G)
 - 2-Arandelas (I)
 - 2-Pasadores de chaveta (J)
 - 2-Tuercas de brida (arranque eléctrico solamente)

1.2 ENSAMBLE

El generador requiere algún ensamble antes de usarse. Si se presentan problemas al ensamblar el generador, por favor llame a la Generator Helpline al 1-888-436-3722.

1.2.1 ENSAMBLAJE DEL KIT DE ACCESORIOS

Consulte las instrucciones que aparecen a continuación y las figuras 1A, 1B y 1C para instalar las manijas, las patas y las ruedas. Nota: los componentes de la manija ya están preensamblados de fábrica. Las ruedas están diseñadas para mejorar mucho la portabilidad del generador. Usted necesitará las siguientes herramientas para instalar apropiadamente el kit de accesorios.

- Trinquete y un toma de 13mm [1/2"]
- Llave de cubo de 13mm [1/2"]
- Alicates de punta fina

Manija

1. Instale el ensamble de la manija al marco usando los pernos (A) y las tuercas (B).

Patas

2. Use tuercas (C) para montar las patas de goma (D) al soporte de la pata (E).
3. Monte el soporte de la pata (E) al marco con dos pernos (F) y tuercas (C).

Ruedas

4. Deslice la clavija de eje (G) a través de la llanta (H), la arandela (I) y a través del soporte en el marco.
5. Asegure la clavija del eje (G) al marco con el pasador de chaveta (J).

6. Use unos alicates y doble una lengüeta del pasador de chaveta (J) hacia afuera para cerrar en su posición.
7. Reepita los pasos 5, 6, y 7 para la otra rueda.

Figura 1A – Montaje de la manija

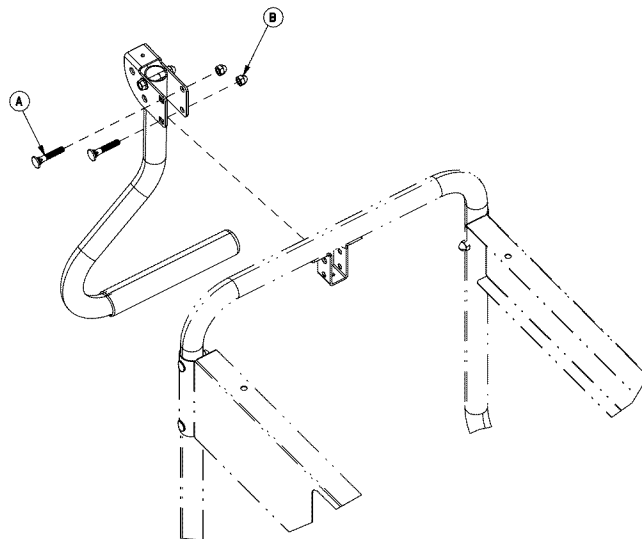


Figura 1B – Montaje de la pata

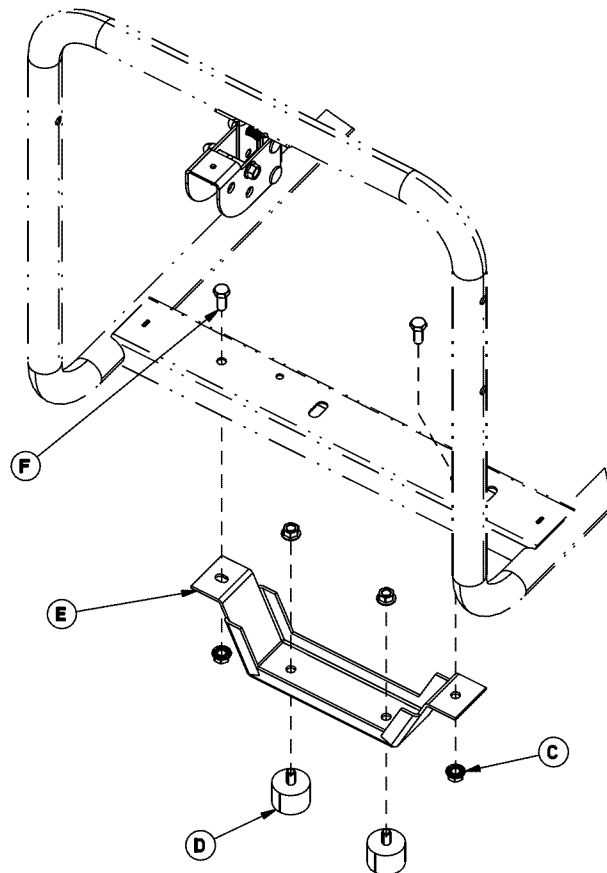
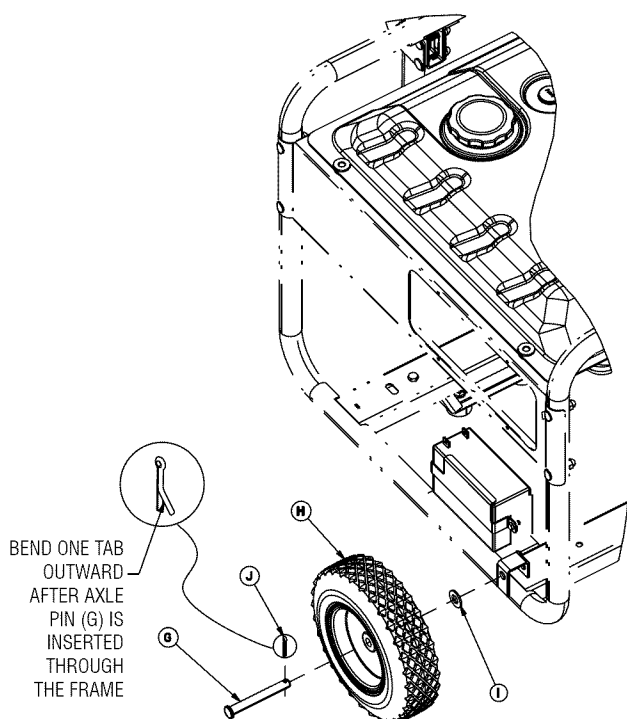


Figura 1C – Montaje de la rueda



1.2.2 CONEXIÓN DEL CABLE DE LA BATERÍA (SÓLO PARA ARRANQUE ELÉCTRICO)

La unidad ha sido enviada deliberadamente con los cables de la batería desconectados. Usted necesitará una llave de 10 mm para sujetar los cables de la batería.

Para conectar la batería (ver los detalles de la conexión en la Figura 17):

1. Corte los amarres del cable que aseguran los cables de la batería y retire las cubiertas rojas de los terminales de la batería.
2. Primero, conecte el cable rojo al terminal positivo (+) de la batería con el perno, arandela de cierre y tuerca suministrados.
3. Conecte el cable negro al terminal negativo (-) de la batería con el perno, arandela de cierre y tuerca suministrados.
4. Asegúrese de que todas las conexiones estén seguras. Deslice las botas de goma sobre los terminales y la ferretería de conexión.

NOTA:

Si la batería no puede arrancar el motor, cárguela con el cargador de 12 voltios incluido en la caja de accesorios (ver detalles en la sección Cargando una batería).

2.1 CONOZCA EL GENERADOR

Lea el manual del propietario y las reglas de seguridad antes de operar este generador.

Compare el generador con las Figuras de la 2 a la 4 para familiarizarse con las ubicaciones de los diversos controles y ajustes. Guarde este manual para referencias futuras.

1. **Receptáculo dúplex de 120 Volt AC, 20 Amp** – Proporciona energía eléctrica para la operación de cargas de iluminación eléctrica, aparatos, herramientas o motores de 120 Volt AC, 20 Amp, monofásicos de 60 Hz. Modelos de hidratos de carbono están equipados con tomas GFCI.
2. **Receptáculo con cierre de 120/240 Volt AC, 30 Amp** – Proporciona energía eléctrica para la operación de cargas de iluminación eléctrica, aparatos, herramientas o motores de 120 y/o 240 Volt AC, 30 Amp, monofásicos de 60 Hz.
3. **Interruptores de circuito (AC)** – Cada receptáculo está provisto con un interruptor de circuito de presionar para reiniciar con el fin de proteger al generador contra sobrecargas eléctricas.
4. **Drenaje de aceite** – Usar para drenar el aceite del motor.
5. **Filtro de aire** – Filtra el aire de ingreso al motor.
6. **Palanca de choke** – Se le usa al arrancar un motor frío.
7. **Tanque de combustible** – Revise la capacidad del tanque en las especificaciones del generador.
8. **Lengüeta de tierra** – Conecte el generador a una conexión a tierra aprobada desde aquí. Vea “Conectando el generador a tierra” para mayores detalles.
9. **Interruptor de funcionamiento/parada** – Controla la operación del generador (modelos sólo de arranque de tiro).
- 9A. **Interruptor de arranque** – Se usa para arrancar el motor desde el motor arrancador (modelos de arranque eléctrico solamente).
10. **Silenciador** – Silencia el motor.
11. **Manubrio** – Pivotea y se retracta para almacenarse. Presione los botones con resorte para mover los manubrios.
12. **Tapa de gasolina** – Ubicación de llenado de combustible.
13. **Medidor de combustible** – Muestra el nivel de combustible en el tanque.
14. **Llenado de aceite** – Agregue aceite aquí.
15. **Arranque de culata** – Use para arrancar el motor manualmente.
16. **Cierre de combustible** – Válvula entre el tanque de combustible y el carburador.
17. **Entrada del cargador de batería** – Este receptáculo permite recargar la batería de almacenamiento de 12 voltios proporcionada con el conector adaptador de 12 voltios que se incluye en la caja de accesorios. Detrás de la entrada del cargador de baterías se encuentra un fusible en línea de 1.5 amperios que está dentro del panel de control para proteger la batería (sólo arranque eléctrico).
18. **Batería** – Energiza el arrancador eléctrico (sólo arranque eléctrico).
19. **Medidor de horas** - Mide las horas de operación.
20. **Supresor de chispas** – Reduce los riesgos de incendio reteniendo las chispas.(modelos CARB solamente).

Operación

Figura 2A - Panel de control (Modelos 49 State)

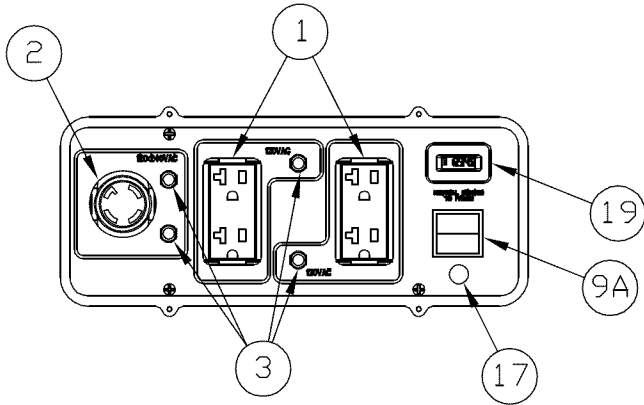


Figure 2B - Control Panel (Modelos CARB)

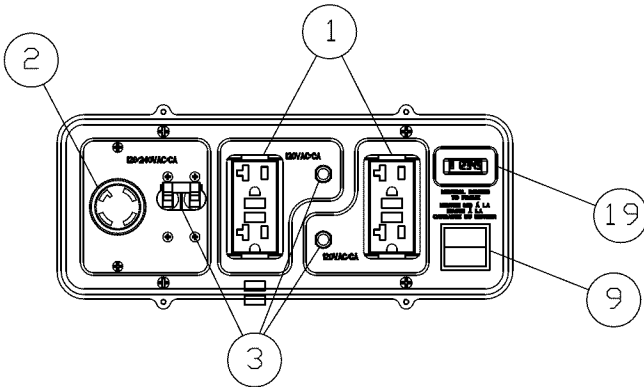


Figure 2C - Control Panel (Modelos CSA)

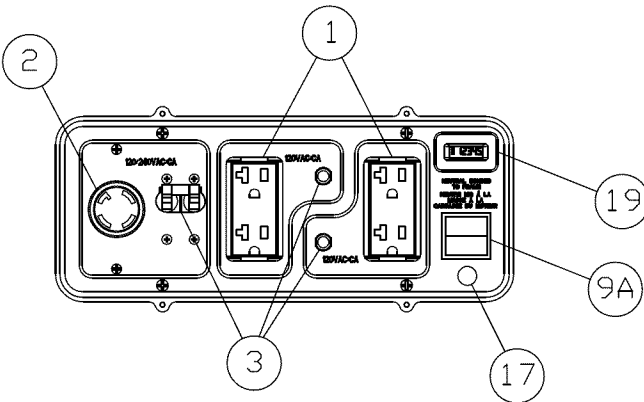


Figura 3 - Controles del generador

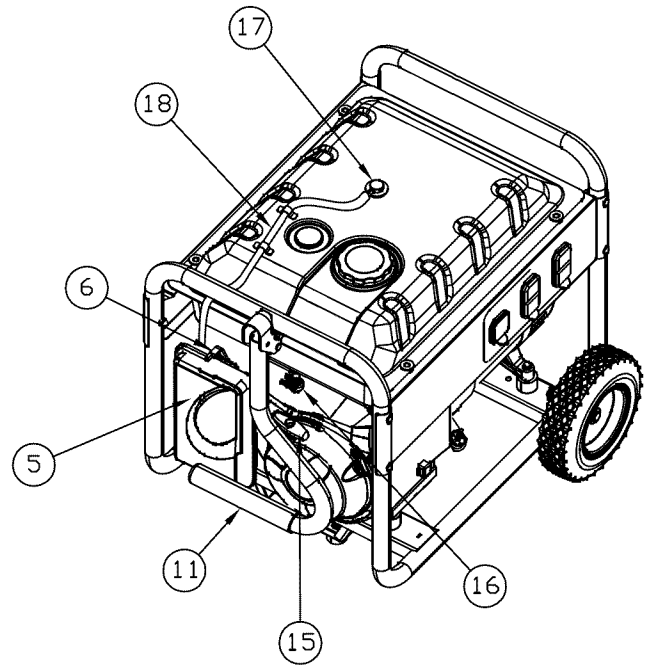
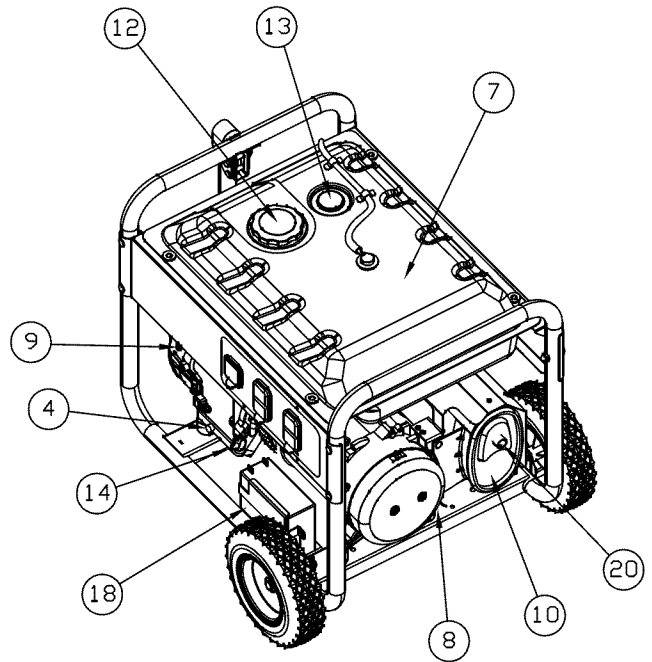


Figura 4 - Controles del generador



2.2 HORÓMETRO

El medidor de horas mide el tiempo de operación para seguir los mantenimientos programados.

Habrà un mensaje de "CHG OIL" cada 100 horas. El mensaje destellarà una hora antes y una hora despuès de cada intervalo de 100 horas, proporcionando una ventana de dos horas para realizar el servicio.

Este mensaje realmente empezará a destellar a las 99 horas y se deshabilitará a las 101 horas proporcionando una ventana de dos horas para realizar el servicio.

Cada 200 horas el icono "SVC" en la esquina inferior izquierda de la pantalla destellará. El mensaje destellará una hora antes y una hora despuès de cada intervalo de 200 horas, proporcionando una ventana de dos horas para realizar el servicio.

Cuando el medidor de horas está en el modo de alerta de destello (Flash Alert), el mensaje de mantenimiento siempre alternará con el tiempo transcurrido en horas y décimos. Las horas destellarán cuatro veces, luego alternará con los mensajes de mantenimiento cuatro veces hasta que el medidor se reinicia.

- 100 hrs - CHG OIL — Intervalo cambio de aceite (c/100 hrs)
- 200 horas - SVC — Servicio de filtro de aire (cada 200 horas)

NOTA:

La gráfica de reloj de arena centelleará intermitentemente cuando el motor esté funcionando. Esto significa que la unidad le está siguiendo la pista a las horas de operación.

Figura 5 – Horómetro

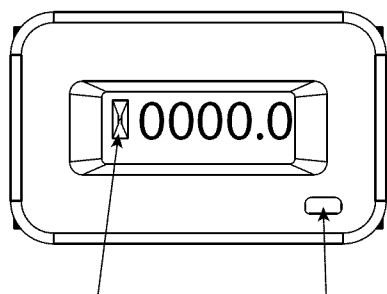
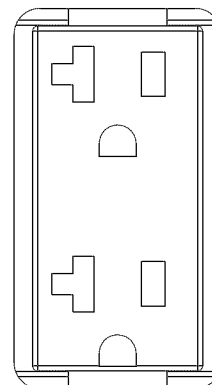


GRÁFICO DE RELOJ DE ARENA **BOTÓN DE REINICIO (SI ESTÁ INSTALADO)**

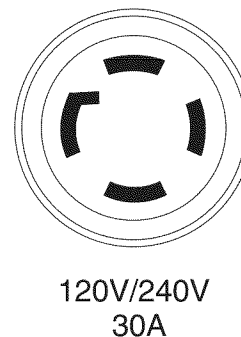
Figura 6 - receptáculo dúplex de 120 Volt AC, 20 Amp



2.3.2 RECEPTÁCULO DE 120/240 VAC, 30 AMPERIOS

Use un conector NEMA L14-30 con este receptáculo (girar para cerrar/abrir). Conecte un juego de cables de 4 conductores con conexión a tierra al conector y a la carga deseada. El cable deberá ser de 250 VAC y 30 Amperios nominal (o más) (Figura 7).

Figura 7 - Receptáculo de 120/240 VAC, 30 Amp



Use este receptáculo para operar cargas monofásicas de 120 Voltios AC a 60 Hz que requieran hasta 3600 vatios (3.6 Kw) de potencia a 30 amperios o 240 VAC, 60 hz, monofásicas que requieran hasta 7200 vatios (7.2 KW) de potencia a 30 amperios. Esta toma está protegida por dos interruptores de circuito de presionar para reiniciar de 30A.

2.3.3 RECEPTÁCULO DOBLE GFCI, 120 VAC, 20 AMPERIOS

Esta es una toma de 120 voltios protegida contra sobrecarga por un interruptor de circuito de presionar para reiniciar de 20 amperios (Figura 8). Use cada una de las tomas para alimentar cargas eléctricas de 120 volts, monofásicas de 60 Ha que requieran hasta una potencia combinada de 2,400 vatios (2.4 Kw) o 20 amperios de corriente. Use sólo juegos de cables de alta calidad, bien aislados, de tres conductores con conexión a tierra para 125 voltios a 20 amperios (o más).

Mantenga los cables de extensión lo más cortos posible para evitar caídas de voltaje y posible sobrecalentamiento de los cables.

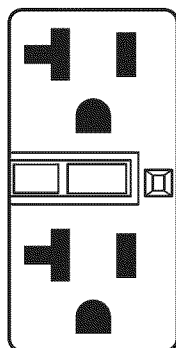
2.3 CABLES Y ENCHUFES DE CONEXIÓN

2.3.1 RECEPTÁCULO DOBLE DE 120 VAC, 20 AMPERIOS

Esta es una toma de 120 voltios protegida contra sobrecarga por un interruptor de circuito de presionar para reiniciar de 20 amperios (Figura 6). Use cada una de las tomas para alimentar cargas eléctricas de 120 volts, monofásicas de 60 Ha que requieran hasta una potencia combinada de 2,400 vatios (2.4 Kw) o 20 amperios de corriente. Use sólo juegos de cables de alta calidad, bien aislados, de tres conductores con conexión a tierra para 125 voltios a 20 amperios (o más).

Mantenga los cables de extensión lo más cortos posible, preferiblemente menos de 15 pies (5 metros) de largo, para evitar caídas de voltaje y posible sobrecalentamiento de los cables.

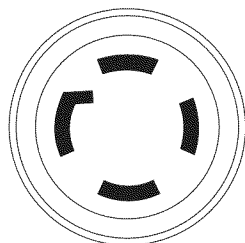
Figura 8 - receptáculo dúplex GFCI de 120 Volt AC, 20 Amp



2.3.4 RECEPTÁCULO DE 120/240 VAC, 30 AMPERIOS

Use un conector NEMA L14-30 con este receptáculo (giran para cerrar/abrir). Conecte un juego de cables de 4 conductores con conexión a tierra al conector y a la carga deseada. El cable deberá ser de 250 VAC y 30 Amperios nominal (o más) (Figura 9).

Figura 9 - Receptáculo de 120/240 VAC, 30 Amp



120 V/240 V
30 A

Use este receptáculo para operar cargas monofásicas de 120 Voltios AC a 60 Hz que requieran hasta 3600 vatios (3.6 Kw) de potencia a 30 amperios o 240 VAC, 60 hz, monofásicas que requieran hasta 7200 vatios (7.2 KW) de potencia a 30 amperios. La toma de salida está protegida por dos interruptores de circuito de presionar para reiniciar de 25 Amp (5.0/5.5kW) o de 30 Amp (6.5kW).

2.4 CÓMO USAR EL GENERADOR

Consulte la sección "Para arrancar el motor" para ver cómo arrancar y parar el generador con seguridad y cómo conectar y desconectar cargas. Si surgen problemas con la operación del generador, llame a la línea de ayuda del generador 1-888-436-3722.

⚠ DANGER!

⚠ **Ne jamais faire fonctionner dans un espace clos ou à l'intérieur. NE JAMAIS faire fonctionner dans un espace clos, dans un véhicule, ou à l'intérieur même si les portes et les fenêtres sont ouvertes ! Utiliser UNIQUEMENT à l'extérieur et loin des fenêtres, portes ouvertes, ventilations, et dans un espace dans lequel le gaz d'échappement ne s'accumulera pas de façon mortelle.**

- ⚠ Les fumées d'échappement du moteur contiennent du monoxyde de carbone, un gaz toxique invisible et inodore. Ce gaz toxique, s'il est respiré en concentrations suffisantes, peut entraîner une perte de conscience ou même la mort.
- ⚠ Un débit approprié, non obstrué d'air de refroidissement et de ventilation est important pour corriger le fonctionnement du générateur. Ne pas modifier l'installation ou ne pas laisser même un blocage partiel de l'alimentation de ventilation, étant donné que cela peut sérieusement affecter le fonctionnement sûr du générateur. Il FAUT faire fonctionner le générateur à l'extérieur.
- ⚠ Ce système d'échappement doit être correctement entretenu. Ne rien faire qui pourrait rendre le système d'échappement dangereux ou non conforme aux codes locaux et/ou normes locales.
- ⚠ Toujours utiliser un détecteur d'oxyde de carbone à alimentation par batterie à l'intérieur, conformément aux instructions du fabricant.

⚠ DANGER	
L'utilisation d'une génératrice à l'intérieur PEUT VOUS TUER EN QUELQUES MINUTES.	
Les génératrices rejettent du monoxyde de carbone. Il s'agit d'un gaz toxique invisible et inodore.	
NE JAMAIS utiliser la génératrice à l'intérieur d'une résidence ou d'un garage MÊME Si les portes et les fenêtres sont ouvertes.	Utiliser uniquement à L'EXTÉRIEUR et loin des fenêtres, portes et événements.

2.4.1 CÓMO PONER A TIERRA EL GENERADOR CUANDO SE USA COMO PORTÁTIL

Este generador tiene una tierra de equipo que conecta los componentes del marco del generador a las terminales de tierra en los receptáculos de salida de CA (ver NEC 250.34 (A) para una explicación). Esto permite que el generador sea usado como un portátil sin poner a tierra el marco del generador como se especifica en NEC 250.34.

Requerimientos especiales

Puede haber regulaciones federales o estatales respecto a la salud y seguridad ocupacional (OSHA), códigos locales, u ordenanzas que se apliquen al uso que se quiera dar al generador.

Por favor consulte con un electricista calificado, inspector eléctrico o la agencia local que tenga jurisdicción:

- En algunas áreas, los generadores deben ser registrados con las compañías locales de electricidad.
- Si el generador se usa en un sitio de construcción, puede haber regulaciones adicionales que se deban observar.

2.4.2 CÓMO CONECTAR EL GENERADOR A UN SISTEMA ELÉCTRICO DE EDIFICIO

Las conexiones para energía de respaldo a un sistema eléctrico de edificio deben ser hechas por un electricista calificado y en estricto cumplimiento de todos los códigos y leyes eléctricas nacionales y locales. La conexión debe aislar la energía del generador de la energía pública u otras fuentes alternativas de energía.

NOTA:

Debido a que la tierra del equipo del generador está conectada a los cables neutrales de CA en el generador (ver Figura 8), se requiere un interruptor de transferencia de 3 polos o de 2 polos con un kit neutral de interrupción para conectar este generador a una carga de edificio. En esta aplicación, el generador se vuelve un sistema derivado separadamente (ver NEC 250.20 (D)), y debe ser puesto a tierra de acuerdo con los requisitos del código eléctrico local.

Cómo poner a tierra el generador en una aplicación de respaldo de edificio

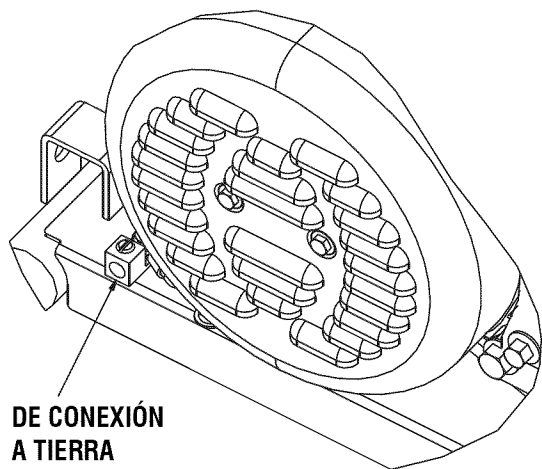
⚠ ADVERTENCIA!

⚠ El Código Eléctrico Nacional requiere que el marco y las partes externas de este generador que son conductores eléctricos estén conectadas en forma apropiada a una conexión a tierra aprobada.

Los códigos eléctricos locales pueden asimismo requerir una apropiada conexión a tierra de la unidad (Figura 10). Para este propósito, el conectar un conductor de cobre N° 10 AWG trenzado a la tuerca de tierra y a una vara de bronce o cobre de tierra (electrodo) proporciona una protección adecuada contra descargas eléctricas. Sin embargo, los códigos locales pueden variar ampliamente. **Consulte con un electricista local los requerimientos de conexión a tierra para su área.**

La apropiada conexión a tierra del generador ayudará a evitar una **descarga eléctrica** en el caso en que se presente una falla de tierra en el generador o en los dispositivos conectados. Una apropiada conexión a tierra también ayuda a disipar la electricidad estática, que generalmente se acumula en dispositivos no enterrados.

Figura 10 - Conexión a tierra del generador



2.5 NO SOBRECARGUE EL GENERADOR

Sobrecargar un generador en exceso de su capacidad de potencia nominal puede traer como resultado daños al generador y a los dispositivos eléctricos conectados. Observe lo siguiente para evitar sobrecargar la unidad:

- Sume el total de potencia de todos los dispositivos eléctricos a conectarse a la vez. Este total NO deberá ser mayor que la capacidad de potencia del generador.
- La potencia nominal de las luces puede leerse en las mismas bombillas. La potencia nominal de las herramientas, aparatos y motores normalmente se puede encontrar en la etiqueta de datos o calcomanía fijada en el dispositivo.
- Si el aparato, herramienta o motor no muestran la potencia, multiplique voltios por amperios nominales para determinar los vatios (volts x amps = vatios).
- Algunos motores eléctricos, como los del tipo inducción, requieren alrededor de tres veces más potencia para arrancar que para funcionar. Este transitorio de potencia dura sólo unos pocos segundos al arrancar tales motores. Asegúrese de tener en cuenta esta alta potencia de arranque al seleccionar dispositivos eléctricos que se conectarán al generador:
 1. Sepa la potencia necesaria para arrancar el motor más grande.
 2. Sume a esa cifra la potencia de funcionamiento de todas las otras cargas conectadas.

La guía de referencia de potencias se proporciona para ayudarle a determinar cuántos ítems puede operar el generador al mismo tiempo.

NOTA:

Todas las cifras son aproximadas. Vea la etiqueta de datos en los aparatos para saber los requerimientos de potencia.

2.6 GUÍA DE REFERENCIA DE POTENCIA

Dispositivo	Vatios en funcionamiento
*Aire acondicionado (12,000 Btu)	1700
*Aire acondicionado (24,000 Btu)	3800
*Aire acondicionado (40,000 Btu)	6000
Cargador de baterías (20 Amp)	500
Lijadora de bandas (3")	1000
Sierra eléctrica	1200
Sierra circular (6-1/2")	de 800 a 1000
*Secadora de ropa (Eléctrica)	5750
*Secadora de ropa (a gas)	700
*Lavadora de ropa	1150
Cafetera	1750
*Compresor (1 HP)	2000
*Compresor (3/4 HP)	1800
*Compresor (1/2 HP)	1400
Rizador de pelo	700
*Deshumecedor	650
Lijadora de disco (9")	1200
Cortadora	500
Frazada eléctrica	400
Pistola eléctrica de clavos	1200
Rango eléctrico (por elemento)	1500
Sartén eléctrica	1250
*Congeladora	700
*Ventilador de chimenea(3/5 HP)	875
*Garaje de apertura automática	de 500 a 750
Secador de pelo	1200
Taladro de mano	de 250 a 1100
Cortador de setos	450

Operación

Herramienta de impacto.....	500
Plancha.....	1200
* Eyector.....	800
Cortadora de césped.....	1200
Bombilla de luz.....	100
Horno de microondas.....	de 700 a 1000
*Enfriador de leche.....	1100
Quemador de aceite sobre chimenea.....	300
Calentador de chispa de aceite (140,000 Btu).....	400
Calentador de chispa de aceite (85,000 Btu).....	225
Calentador de chispa de aceite (30,000 Btu).....	150
*Pulverizador de pintura, sin aire (1/3 HP).....	600
Pulverizador de pintura, sin aire (de mano).....	150
Radio.....	de 50 a 200
*Refrigeradora.....	700
Cocina lenta.....	200
*Bomba sumergible (1-1/2 HP).....	2800
*Bomba sumergible (1 HP).....	2000
*Bomba sumergible (1/2 HP).....	1500
*Bomba de desagüe.....	de 800 a 1050
*Sierra de banco (10").....	de 1750 a 2000
Televisor.....	de 200 a 500
Tostadora.....	de 1000 a 1650
Podadora de césped.....	500

* Calcule 3 veces la potencia de la lista para arrancar estos dispositivos.

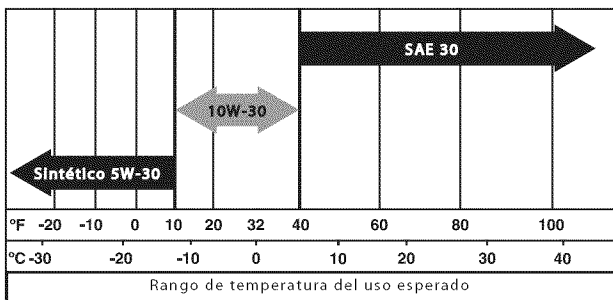
2.7 ANTES DE ARRANCAR EL GENERADOR

Antes de operar el generador, es necesario agregar aceite de motor y gasolina, de esta manera:

2.7.1 AGREGADO DE ACEITE DE MOTOR

Todo aceite debe cumplir el estándar mínimo de la American Petroleum Institute (API) Service Class SJ, SL o superior. No use aditivos especiales. Seleccione el grado de viscosidad del aceite de acuerdo a la temperatura esperada de operación (ver el gráfico también).

- Por encima de 40° F, use SAE 30
- Por debajo de 40° F y hasta 10° F, use 10W-30
- Por debajo de 10° F, use 5W-30 sintético



⚠ CUIDADO

⚠ Cualquier intento de arrancar el motor antes de que se le haya dado servicio apropiado con el aceite recomendado puede traer como resultado una falla del motor.

1. Coloque el generador en una superficie nivelada (no exceda los 15° en ninguna dirección).
2. Limpie el área alrededor de la toma de aceite y retire la tapa.
3. Llène lentamente el aceite hasta que la varilla marque lleno. Deje de llenar ocasionalmente para revisar el nivel de aceite.
4. Instale la varilla y ajústela seguramente.
5. Luego, revise el nivel de aceite antes de arrancar cada vez.

2.7.2 AGREGADO DE COMBUSTIBLE

⚠ PELIGRO

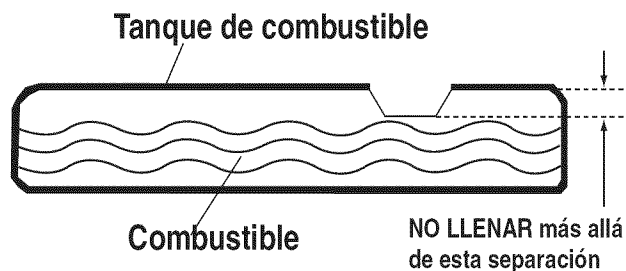
⚠ **NUNCA llene el tanque de combustible en el interior de la casa. Evite derramar gasolina sobre un motor caliente. Deje enfriar al motor completamente antes de añadir combustible. NUNCA llene el tanque de gasolina mientras el motor está funcionando o está caliente. NO encienda cigarrillos o fume cuando esté llenando el tanque de combustible. La gasolina es altamente INFLAMABLE y sus vapores son EXPLOSIVOS.**

⚠ **No sobrecargue el tanque de combustible. Deje siempre espacio para la expansión del combustible. Si el tanque está muy lleno, el combustible puede caer sobre el motor caliente y causar un incendio o explosión. Limpie cualquier derrame de combustible inmediatamente.**

1. Use gasolina sin plomo REGULAR para el motor del generador. No use gasolina Premium. No use aceite con gasolina.
2. Limpie el área alrededor de la tapa de llenado de combustible, sáquela.
3. Lentamente añada gasolina regular sin plomo al tanque de combustible. Llène hasta el fondo del filtro de pantalla. **Tenga cuidado de no llenarlo demasiado** (Figura 11).
4. Instale la tapa del combustible y limpie la gasolina que se haya derramado.

IMPORTANTE: Es importante evitar que se formen depósitos de goma en las partes del sistema de combustible como el carburador, la manguera de combustible o el tanque durante el almacenamiento. Los combustibles mezclados con alcoholes (llamados gasohol, etanol o metanol) pueden atraer la humedad, lo que llega a la separación y formación de ácidos durante el almacenamiento. Los gases ácidos pueden dañar el sistema de combustible de un motor durante el almacenamiento. Para evitar problemas con el motor, el sistema de combustible deberá vaciarse antes de almacenarse por 30 días o más. Ver la sección de "Almacenamiento". Nunca use productos limpiadores de motor o carburador en el tanque de combustible ya que puede ocasionar daño permanente.

Figura 11 - Tanque de combustible



2.8 ARRANQUE DE MOTORES CON CABLE DE ARRANQUE

⚠ ADVERTENCIA

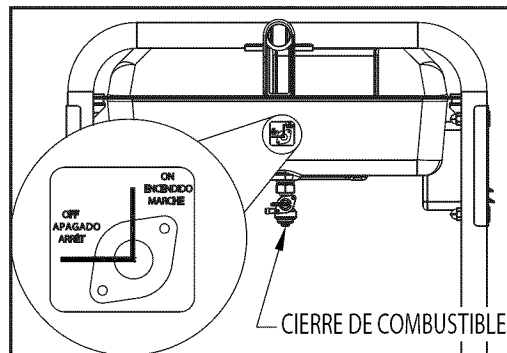
⚠ Nunca arranque ni detenga el motor con los dispositivos eléctricos conectados a los receptáculos ni encendidos.

1. Desconecte todas las cargas eléctricas de los receptáculos de la unidad antes de arrancar el motor.
2. Asegúrese de que la unidad esté en una posición nivelada (no exceda los 15° en ninguna dirección).
3. ABRA la válvula de cierre de combustible (Figura 12).
4. Gire el interruptor RUN/STOP a la posición ON (Figura 13.)
5. Deslice la palanca de CHOKE del motor a la posición IZQUIERDA de "FULL CHOKE" (completo) (Figura 14).
6. Para arrancar el motor, tome firmemente el manubrio del recule y tire lentamente hasta que se sienta que aumenta la resistencia. Tire rápidamente hacia afuera.
7. Cuando el motor arranque, mueva la palanca de Choke a 1/2 CHOKE hasta que el motor funcione en forma suave y luego completamente a la posición RUN. Si el motor arranca, mueva la palanca de Choke a 1/2 CHOKE hasta que el motor funcione en forma suave y luego a la posición RUN.

NOTA:

Si el motor dispara, pero no sigue funcionando, mueva la palanca de choke a FULL CHOKE y repita las instrucciones de arranque.

Figura 12 - Válvula de cierre de combustible



IMPORTANTE: No sobrecargue el generador. Asimismo, no sobrecargue los receptáculos individuales. Estas tomas están protegidas contra sobrecargas con interruptores de circuito tipo presionar para reiniciar. Si la corriente nominal de cualquiera de los interruptores se excede, ese interruptor se abre y la salida eléctrica a ese receptáculo se pierde. Lea "No sobrecargue el generador" con mucho cuidado.

Figura 13 - Interruptor ON/OFF del motor

INTERRUPTOR DE ENCENDIDO/APAGADO DEL MOTOR (SOLAMENTE MOTORES CON CABLE DE ARRANQUE)

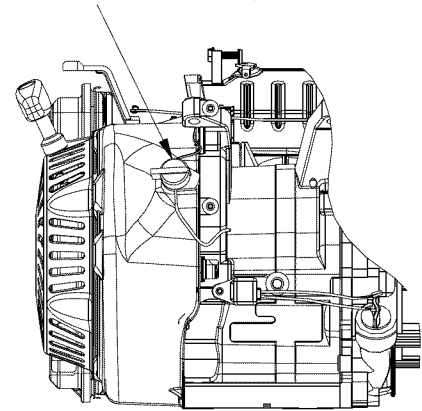
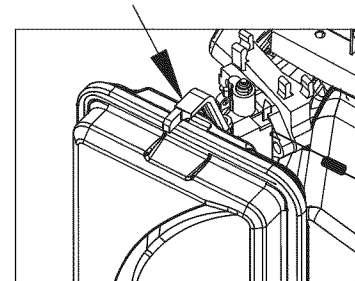


Figura 14 - Posición de Choke

PALANCA DEL ESTRANGULADOR IZQUIERDA = ESTRANGULACIÓN (ARRANQUE) DERECHA = ARRANQUE



2.9 ARRANQUE DE MOTORES CON ARRANQUE ELÉCTRICO

⚠ ADVERTENCIA

⚠ Nunca arranque ni detenga el motor con los dispositivos eléctricos conectados a los receptáculos ni encendidos.

1. Desconecte todas las cargas eléctricas de los receptáculos de la unidad antes de arrancar el motor.
2. Asegúrese de que la unidad esté en una posición nivelada.
3. Abra la válvula de cierre del combustible (Figura 12).
4. Mueva la palanca de CHOKE del motor a la posición FULL CHOKE (completo) (Figura 14).
5. Para arrancar el motor, mantenga presionado el interruptor de Start/Run/Stop en la posición "Start". El motor intentará arrancar. Cuando el motor arranque, suelte el interruptor a la posición "run" (funcionamiento).

6. Cuando el motor arranque, mueva la palanca de Choke a "1/2 choke" hasta que el motor funcione en forma suave y luego completamente a la posición "Run". Si el motor decae, mueva la palanca de Choke nuevamente a "1/2 choke" hasta que el motor funcione en forma suave y luego a la posición "Run".

2.9.1 MANUAL DE INICIO

Este generador también está equipado con un arrancador manual de recule que se puede usar si la batería está descargada.

NOTA:

El interruptor debe estar en la posición ARRANQUE. Use uno de los receptáculos del panel del generador junto con el cargador de batería incluido para cargar la batería mientras el generador esté funcionando.

- Para arrancar manualmente, tome firmemente el manubrio del recule y tire lentamente hasta que se sienta que aumenta la resistencia. Tire rápidamente arriba para arrancar el motor. Luego siga la misma secuencia de choke.

NOTA:

Si el motor dispara, pero no sigue funcionando, mueva la palanca de choke a FULL CHOKE y repita las instrucciones de arranque.

IMPORTANTE: No sobrecargue el generador. Asimismo, no sobrecargue los receptáculos individuales. Estas tomas están protegidas contra sobrecargas con interruptores de circuito tipo presionar para reiniciar. Si la corriente nominal de cualquiera de los interruptores se excede, ese interruptor se abre y la salida eléctrica a ese receptáculo se pierde. Lea "No sobrecargue el generador" con mucho cuidado.

2.10 PARADO DEL MOTOR

1. Apague todas las cargas, luego desconecte las cargas eléctricas de los receptáculos del panel del generador. Nunca arranque ni detenga el motor con dispositivos eléctricos conectados y encendidos.
2. Deje que el motor funcione sin carga por algunos minutos para estabilizar las temperaturas internas del motor y del generador.
3. Mueva el interruptor de Run/Stop a la posición OFF.
4. Cierre la válvula de combustible.

2.11 SISTEMA DE APAGADO POR BAJO NIVEL DE ACEITE

El motor está equipado con un sensor de bajo nivel de aceite que apaga el motor en forma automática cuando el nivel de aceite cae por debajo de un nivel especificado. Si el motor se apaga y el tanque de combustible tiene suficiente gasolina, revise el nivel de aceite de motor.

2.11.1 DETECCIÓN DE NIVEL BAJO DE ACEITE

Si el sistema detecta un bajo nivel de aceite durante la operación, el motor se apaga. El motor no funcionará hasta que se haya llenado aceite de nuevo a su nivel apropiado.

2.12 CÓMO CARGAR LA BATERÍA (SÓLO PARA UNIDADES CON ARRANQUE ELÉCTRICO)

⚠ PELIGRO

- ⚠ Las baterías almacenadas sueltan un explosivo gas de hidrógeno al recargarse. Una mezcla explosiva permanecerá alrededor de la batería por largo tiempo luego de que se haya cargado. La más ligera chispa puede encender el hidrógeno y causar una explosión. Una explosión así puede destruir la batería y causar ceguera y otros daños serios.

⚠ PELIGRO

- ⚠ No permita que fumen, hagan fuego abierto, chispas o cualquier otra fuente de calor alrededor de la batería. Use guantes protectores, gafas y delantal de goma cuando trabaje alrededor de la batería. El fluido electrolítico de la batería es una solución de ácido sulfúrico extremadamente corrosiva que puede causar severas quemaduras. Si ocurre un derrame lave el área con agua limpia inmediatamente.

NOTA:

La batería incluida en el generador ha sido cargada completamente. Una batería puede perder algo de su carga cuando no se le usa por tiempo prolongado. Si la batería es incapaz de arrancar el motor, conecte el cargador de 12 voltios incluido en la caja de accesorios. EL HACER FUNCIONAR EL GENERADOR NO CARGA LA BATERÍA.

Use el conector del cargador de batería para mantener la batería cargada y lista para usarse. La carga de la batería deberá hacerse en una ubicación seca.

1. Conecte el cargador en el conector de "Entrada de cargador de batería", ubicado en el panel de control. Conecte el extremo del receptáculo de pared del cargador de la batería en una toma de 120 VCA (Figura 15).
2. Desconecte el cargador de batería de la toma de la pared y del conector del panel de control cuando el generador vaya a usarse.

NOTA:

No use el cargador de baterías por más de 48 hrs en carga.

Figura 15 - Conector del cargador de batería



3.1 CÓMO REALIZAR MANTENIMIENTO PROGRAMADO

Es importante realizar el servicio especificado en el Programa de mantenimiento para un funcionamiento apropiado y asegurarse de que el generador cumple con las normas de emisión aplicables para la duración de su vida útil. El servicio y las reparaciones deben ser realizados por una persona capaz o por el taller de reparaciones. Además, el mantenimiento crítico de las emisiones debe ser realizado según el programa con el fin de que la Garantía de las Emisiones sea válida. El mantenimiento crítico de las emisiones consiste de darle servicio al filtro de aire y las bujías de acuerdo al Programa de mantenimiento.

3.2 PROGRAMA DE MANTENIMIENTO

Siga los intervalos del calendario. Se requiere un servicio más frecuente cuando se opera en condiciones adversas como las que se indica abajo.

Revise el nivel de aceite	en cada uso
Cambie el aceite ‡	*Cada 100 horas o cambio de estación
Revise la claridad de la válvula	***Cada cambio de estación
Servicio del filtro de aire	** Cada 200 horas o cambio de estación
Reemplazo de bujías	Cada cambio de estación

‡ Cambie el aceite luego de las primeras 30 horas de operación y luego en cada cambio de estación.

* Cambie el aceite y el filtro de aceite cada mes si opera bajo condiciones pesadas de carga o altas temperaturas.

** Limpie con más frecuencia bajo condiciones de operación que involucren polvo y suciedad. Reemplace las partes del filtro de aire si no se les puede limpiar adecuadamente.

*** Revise la claridad de la válvula y ajústela si es necesario luego de las primeras 50 horas de operación y cada 100 horas luego de ello.

3.3 ESPECIFICACIONES DEL PRODUCTO

3.3.1 ESPECIFICACIONES DEL GENERADOR

Capacidad eléctrica.....	5.0/5.5/6.5 kW**
Potencia de transitorio.....	6.25/6.88/8.0 kW
Voltaje AC nominal.....	120/240
Carga AC nominal	
Corriente @ 240V (5.0/5.5/6.5 kW).....	20.8/22.9/27.1 Amps**
Corriente @ 120V (5.0/5.5/6.5 kW).....	41.6/45.8/54.2 Amps**
Frecuencia nominal.....	60 Hz @ 3600 RPM
Fase.....	Monofásico

** Las potencias y corrientes máximas están sujetas a, y limitadas por, factores tales como contenido en BTUs del combustible, altitud, condiciones del motor, etc. La potencia máxima disminuye alrededor del 3.5% por cada 1000 pies sobre el nivel del mar, y también disminuirá alrededor del 1% por cada 6°C (10°F) por encima de los 16°C (60°F) de temperatura ambiente.

3.3.2 ESPECIFICACIONES DEL MOTOR

Desplazamiento.....	389 cc
Tipo de bujías.....	NHSP LDF7TC o Champion N9YC
Bujía N° de parte.....	0G84420101
Espaciamiento de la bujía.....	0.028-0.031 pulgadas o (0.70-0.80 mm)
Capacidad de gasolina.....	7.2 galones americanos
Tipo de aceite.....	Ver la cartilla en la sección "Antes de arrancar el generador"
Capacidad de aceite.....	1 L (1.06 Qts.)
Tiempo de funcionamiento a 50% de carga (5.0/5.5/6.5 kW) ...	10 horas

3.3.3 INFORMACIÓN DE EMISIONES

La Agencia de Protección Ambiental (y la Junta de Recursos Aéreos de California para generadores certificados para normas de CA standards) requiere(n) que este generador cumpla con las normas de emisión para gases de escape. Ubique la calcomanía de cumplimiento para las emisiones en el motor para determinar qué normas cumple el generador. Este motor está certificado para operar con gasolina. El sistema de control de emisiones incluye los siguientes componentes (si está instalado):

- Sistema de inducción de aire
 - Tubería/múltiple de admisión
 - Limpiador de aire
- Sistema de combustible
 - Carburador
 - Tanque/tapón de combustible
 - Líneas de combustible
 - Líneas de venteo evaporativo
 - Cartucho de carbón
- Sistema de ignición
 - Bujía
 - Módulo de ignición
- Sistema de escape
 - Múltiple de escape
 - Silenciador
 - Válvula de inducción de aire por impulsos
 - Catalizador

3.4 RECOMENDACIONES GENERALES

La garantía del generador no cubre ítems que hayan sido objeto de abuso o negligencia del operador. Para recibir el valor total de la garantía, el operador debe hacer el mantenimiento del generador tal como se instruye en este manual.

Se necesitará hacer algunos ajustes periódicamente para mantener apropiadamente este generador.

Todos los ajustes en la sección de Mantenimiento de este manual deberán hacerse al menos una vez en cada cambio de estación. Siga los requerimientos del "Programa de mantenimiento".

NOTA:

Una vez al año, reemplace las bujías y el filtro de aire. Bujías nuevas y filtro de aire limpio aseguran una apropiada mezcla de aire-combustible y ayudan a que el motor funcione mejor y dure más.

3.4.1 MANTENIMIENTO DEL GENERADOR

El mantenimiento del generador consiste en mantener a la unidad limpia y seca. Opere y almacene la unidad en un ambiente limpio y seco donde no esté expuesta a excesivo polvo, suciedad, humedad ni vapores corrosivos. Las ranuras de aire de enfriamiento en el generador no deberán obstruirse con nieve, hojas ni ningún material extraño.

Revise la limpieza del generador frecuentemente y límpielo cuando el polvo, suciedad, humedad y otras sustancias extrañas sean visibles en su superficie exterior.

⚠ CUIDADO

⚠ Nunca inserte ningún objeto ni herramienta a través de las ranuras de aire de refrigeración, aún si el motor no está funcionando.

NOTA:

NO use una manguera de jardín para limpiar el generador. El agua puede ingresar al sistema de combustible del motor y causar problemas. Adicionalmente, si el agua ingresa al generador a través de las ranuras de aire, algo del agua será retenida en vacíos o grietas del aislamiento del bobinado del rotor y estator. La acumulación del agua y el polvo en los bobinados internos del generador eventualmente disminuirán la resistencia de aislamiento de esos bobinados.

3.4.2 PARA LIMPIAR EL GENERADOR

- Use un trapo húmedo para limpiar las superficies exteriores.
- Una escobilla suave de cerdas puede usarse para soltar suciedades pegadas, aceite, etc.
- Puede usarse una aspiradora para levantar suciedad y restos.
- Se puede usar una baja presión de aire (que no exceda las 25 psi) para soplar la suciedad. Inspeccione las ranuras de aire de ventilación y las aberturas del generador. Estas aperturas deben mantenerse limpias y sin obstrucciones.

3.4.3 MANTENIMIENTO DEL MOTOR

⚠ PELIGRO

⚡ Cuando se trabaja en el generador, siempre se debe desconectar el cable negativo de la batería. También desconecte el cable de la bujía y manténgalo lejos de esta.

3.4.4 VERIFICACIÓN DEL NIVEL DE ACEITE

Vea la sección "ANTES DE ARRANCAR EL GENERADOR" para mayor información sobre la revisión del nivel de aceite. El nivel de aceite debe revisarse antes de cada uso, o al menos cada ocho horas de operación. Siempre mantenga el nivel de aceite.

3.4.5 CAMBIO DEL ACEITE DE MOTOR

Cambie el aceite luego de las primeras 30 horas de operación. Cambie el aceite cada 100 horas o cada cambio de estación luego de ello. Si está haciendo funcionar la unidad en condiciones de polvo o suciedad, o en clima extremadamente cálido, cambie el aceite con más frecuencia.

⚠ CUIDADO

⚠ El aceite caliente puede causar quemaduras. Permita que el motor enfríe antes de drenar el aceite. Evite una exposición prolongada o repetida de la piel con el aceite usado. Lave completamente las áreas expuestas con jabón.

Use las siguientes instrucciones para cambiar el aceite luego que el motor enfríe:

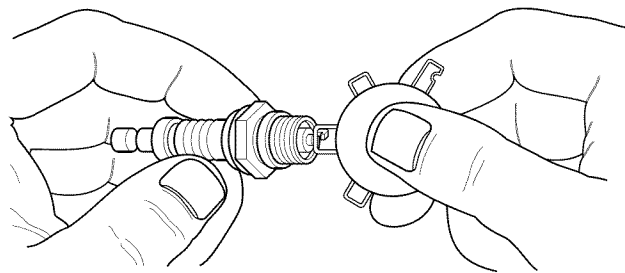
1. Limpie el área alrededor de la manguera de drenaje del aceite.
2. Retire la tapa de drenaje de aceite del motor y la tapa de llenado de aceite para que drene completamente en un contenedor adecuado.
3. Cuando el aceite haya drenado completamente, instale la tapa de drenaje de aceite y ciérrela con firmeza.
4. Llene el cárter de aceite con el aceite recomendado. (Vea "Antes de arrancar el generador" para mayores recomendaciones sobre el aceite).
5. Limpie el aceite que se haya derramado.
6. Disponga del aceite usado en un centro de recolección apropiado.

3.4.6 REEMPLAZO DE LA BUJÍA

Ver la bujía recomendada en las especificaciones del motor. **Reemplace la bujía una vez al año.** Esto ayudará a que el motor arranque con mayor facilidad y funcione mejor.

1. Detenga el motor y tire del cable de bujías colocándolo lejos de las mismas.
2. Limpie el área alrededor de la bujía y retírela de la cabeza del cilindro.
3. Coloque el espaciado de la bujía en 0.70-0.80 mm (0.028-0.031 in.). Instale la bujía con el espaciado correcto en la cabeza del cilindro (Figura 16).

Figura 16 - Espaciado de la bujía



3.4.7 REEMPLAZO DE LA BATERÍA (SI CORRESPONDE)

NOTA:

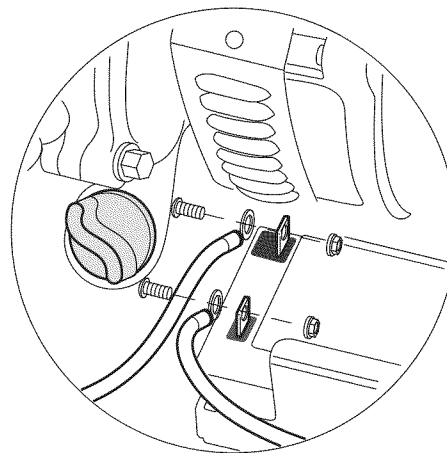
La batería incluida en el generador ha sido cargada completamente. Una batería puede perder algo de su carga cuando no se le usa por tiempo prolongado. Si la batería es incapaz de arrancar el motor, conecte el cargador de 12 voltios incluido en la caja de accesorios (ver la sección Cargando una batería). **EL HACER FUNCIONAR EL GENERADOR NO CARGA LA BATERÍA.** El número de parte para esta batería es 0G9449.

⚠ CUIDADO

⚠ El terminal NEGATIVO de la batería deberá:

1. Estar siempre DESCONECTADO PRIMERO.
2. Estar siempre CONECTADO AL FINAL.

Figura 17 - Conexiones de la batería



⚠ CAUTION!

⚠ La terminal NEGATIVA de la batería deberá:

1. Siempre ser DESCONECTADA PRIMERO.
2. Siempre ser CONECTADA POR ÚLTIMO.

3.5 SERVICIO DEL LIMPIADOR DE AIRE

El motor no funcionará apropiadamente y puede dañarse si se usa un limpiador de aire sucio. Limpie o reemplace el filtro de papel del limpiador cada año. Límpielo o reemplácelo con mayor frecuencia si se opera en condiciones de suciedad (Figura 18). El número de parte para esta limpiador de aire es OG84420151.

Limpieza o reemplazo del filtro de aire de papel:

1. Retire la cubierta del limpiador de aire y quite el filtro de papel.
2. Limpie el filtro de papel golpeándolo ligeramente sobre una superficie sólida. Si el filtro está demasiado sucio, reemplácelo con uno nuevo. Disponga del filtro viejo en forma apropiada.
3. Limpie la cubierta del limpiador de aire, luego inserte un nuevo filtro de papel en la base del limpiador de aire. Reinstale la cubierta del limpiador de aire.

Figura 18 - Filtro de aire

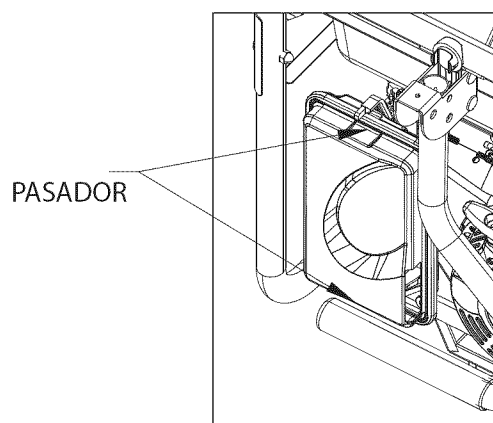
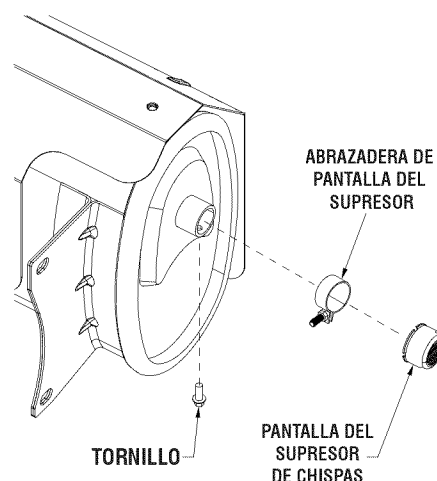


Figura 19 – Filtro del supresor de chispas



NOTA:

Para pedir un nuevo filtro de aire o un filtro de supresor de chispas, contacte al centro de servicio autorizado más cercano al 1-800-333-1322.

3.6 ESPACIO DE LA VÁLVULA

- Toma de entrada — $0.15 \pm 0.02\text{mm}$ (frío), ($0.006'' \pm 0.0008''$ pulg)
- Escape — $0.20 \pm 0.02\text{mm}$ (frío) ($0.008'' \pm 0.0008''$ pulg)

Luego de las primeras 50 horas de operación, revise la claridad de la válvula en el motor y ajústela si es necesario.

Importante: Si se siente incómodo haciendo este procedimiento o no tiene disponibles las herramientas apropiadas, por favor lleve el generador al centro de servicio más cercano para ajustar la claridad de la válvula. Este es un paso muy importante para asegurar la mayor vida de su motor.

3.5.1 LIMPIE EL FILTRO DEL SUPRESOR DE CHISPAS (MODELOS CARB)

El silenciador del escape del motor tiene una pantalla de supresión de chispa. Inspeccione y limpie la pantalla al menos una vez al año (Figura 19). Si la unidad se usa con regularidad, efectúe inspecciones y limpiezas con mayor frecuencia.

⚠ PELIGRO

⚠ Si usa el generador sobre algún terreno cubierto de césped, arbustos o plantas, debe estar equipado con un supresor de chispa. El dueño o el operador deben mantener el supresor de chispa en buenas condiciones.

Limpie e inspeccione el supresor de chispa cuando el motor se encuentre a temperatura ambiental, como sigue:

1. Retire el filtro del supresor de chispas del silenciador aflojando la abrazadera y retirando el tornillo.
2. Inspeccione la pantalla y reemplácela si está rasgada o dañada de alguna forma. NO USE una pantalla defectuosa. Si la pantalla no está dañada, límpiela con un solvente comercial.
3. Reemplace el supresor de chispas y asegure con la abrazadera y el tornillo.

3.7 GENERALES

El generador deberá arrancarse al menos una vez cada 30 días y permitirsele funcionar al menos 30 minutos. Si esto no se puede hacer y la unidad debe guardarse por más de 30 días, use la siguiente información como guía para prepararlo para su almacenamiento.

⚠ PELIGRO

⚠ NUNCA almacene un motor con combustible en el tanque en interiores o en áreas cerradas poco ventiladas en donde los humos pueden alcanzar una llama abierta, chispa o flama piloto como en una chimenea, calentador de agua, secadora de ropa u otros aparatos a gas.

⚠ Deje enfriar la unidad completamente antes de almacenarse.


3.8 ALMACENAMIENTO A LARGO PLAZO

Es importante evitar que se formen depósitos de goma en las partes esenciales del sistema de combustible como el carburador, la manguera de combustible o el tanque durante el almacenamiento. Asimismo, la experiencia indica que los combustibles mezclados con alcoholes (llamados gasohol, etanol o metanol) pueden atraer la humedad, lo que llega a la separación y formación de ácidos durante el almacenamiento. Los gases ácidos pueden dañar el sistema de combustible de un motor durante el almacenamiento.

Para evitar problemas con el motor, el sistema de combustible deberá vaciarse antes de almacenarse por 30 días o más, como sigue:


1. Agregue un estabilizador de gasolina de calidad al combustible según las especificaciones del fabricante, y haga funcionar la unidad durante 10-15 minutos.
2. Después de que el motor se enfríe, quite toda la gasolina del depósito de combustible. Necesario utilizar un adaptador, no conductor sifón vacío.

PELIGRO

 **Drene el combustible en contenedores apropiados en exteriores, lejos de las flamas abiertas. Asegúrese de que el motor esté frío. No fume.**

3. Arranque y haga funcionar el motor hasta que se detenga por falta de combustible.
4. Luego de que el motor enfríe, drene el aceite del motor. Rellene con el grado recomendado.
5. Retire la bujía y llene alrededor de 1/2 onza (15 ml) de aceite de motor en los cilindros. Cubra el agujero de la bujía con un trapo. Tire del arrancador de recule un par de veces para lubricar los anillos del pistón y el recorrido del cilindro. Un agente de condensación puede también ser usado en lugar del aceite.

CUIDADO

 **Evite la pulverización del agujero de la bujía en el arranque.**

6. Instale y ajuste la bujía. No conecte el cable de bujía.
7. Limpie las otras superficies del generador. Revise que las aberturas y ranuras de aire de ventilación en el generador estén abiertas y sin obstrucciones.
8. Almacene la unidad en un lugar limpio y seco.

3.9 OTROS CONSEJOS DE ALMACENAMIENTO

- No almacene gasolina de una estación a otra.
- Reemplace la gasolina si empieza a oxidarse. El óxido o suciedad en la gasolina causará problemas con el carburador y el sistema de combustible.
- Si fuera posible, almacene la unidad en interiores y cúbrala para protegerla del polvo y la suciedad. **ASEGÚRESE DE VACIAR EL TANQUE DE COMBUSTIBLE.**
- Si no fuera práctico vaciar el tanque de combustible y la unidad tiene que almacenarse por un tiempo, use un estabilizador de combustible comercial disponible y añádale a la gasolina para prolongar la vida de esta. Haga funcionar la unidad durante 10-15 minutos, gire la válvula del combustible a la posición "OFF" y permita que funcione hasta que el motor se apague por falta de combustible.
- Cubra la unidad con una cubierta protectora adecuada que no retenga humedad.

PELIGRO

 **NUNCA cubra el generador mientras las áreas del motor y el escape están calientes.**

4.1 GUÍA DE DETECCIÓN DE PROBLEMAS

PROBLEMA	CAUSA	CORRECCIÓN
El motor está funcionando, pero no hay salida de AC disponible.	<ol style="list-style-type: none"> 1. El interruptor de circuito está abierto. 2. Pobre conexión o cable defectuoso. 3. El dispositivo conectado está mal. 4. Falla en el generador. 	<ol style="list-style-type: none"> 1. Reinicie el interruptor de circuito. 2. Revise y repare. 3. Conecte otro dispositivo que esté en buenas condiciones. 4. Contacte a un servicio autorizado.
El motor funciona bien pero se siente sobrecargado cuando las cargas están conectadas.	<ol style="list-style-type: none"> 1. Cortocircuito en la carga conectada. 2. El generador está sobrecargado. 3. La velocidad del motor es muy lenta. 4. Circuito del generador en corto. 	<ol style="list-style-type: none"> 1. Desconecte la carga eléctrica en corto. 2. Vea "No sobrecargue el generador" 3. Contacte a un servicio autorizado. 4. Contacte a un servicio autorizado.
El motor no arranca, o arranca pero funciona en forma áspera.	<ol style="list-style-type: none"> 1. El cierre de combustible está en OFF. 2. Filtro de aire sucio. 3. Falta gasolina. 4. Gasolina pasada. 5. El cable de la bujía no está conectado a esta. 6. Bujías en mal estado. 7. Agua en la gasolina. 8. Over-choking. 9. Nivel de aceite bajo 10. Mezcla de combustible demasiado rica. 11. Válvula de entrada atascada o cerrada. 12. El motor ha perdido compresión. 	<ol style="list-style-type: none"> 1. Gire el cierre de combustible a ON. 2. Limpie o reemplace el filtro de aire. 3. Llene el tanque de combustible. 4. Drene y llene el tanque de combustible con gasolina fresca. 5. Conecte el cable a la bujía. 6. Reemplace la bujía. 7. Drene y llene el tanque de combustible con gasolina fresca. 8. Coloque la palanca de choke en posición No Choke. 9. Llene el cárter en el nivel apropiado. 10. Contacte a un servicio autorizado. 11. Contacte a un servicio autorizado. 12. Contacte a un servicio autorizado.
El motor se apaga durante la operación.	<ol style="list-style-type: none"> 1. Falta gasolina. 2. Nivel de aceite bajo 3. Falla en el motor. 	<ol style="list-style-type: none"> 1. Llene el tanque de combustible. 2. Llene el cárter en el nivel apropiado. 3. Contacte a un servicio autorizado.
El motor pierde potencia.	<ol style="list-style-type: none"> 1. La carga es demasiado alta. 2. Filtro de aire sucio. 3. El motor necesita servicio. 	<ol style="list-style-type: none"> 1. Reduzca la carga (Vea "No sobrecargue el generador"). 2. Limpie o reemplace el filtro de aire. 3. Contacte a un servicio autorizado.
El motor se pierde o tartamudea.	<ol style="list-style-type: none"> 1. El choke está abierto demasiado pronto. 2. El carburador está funcionando muy rico o muy raro. 	<ol style="list-style-type: none"> 1. Mueva el choke a la posición media hasta que el motor funcione suavemente. 2. Contacte a un servicio autorizado.

DECLARACIÓN DE GARANTÍA DE CONTROL DE EMISIONES DE LA EPA EE.UU. SUS DERECHOS DE GARANTÍA Y OBLIGACIONES

La Agencia de Protección Ambiental (EPA) de los EE.UU. y Generac Power Systems, Inc. (Generac) se complacen en explicar la garantía del Sistema de Control de Emisiones en su nuevo equipo de 2011 y posteriores. Los equipos nuevos que utilizan pequeños motores encendidos con chispa se deben diseñar, construir, y equipar de tal forma que cumplan con las estrictas normas contra el smog del gobierno federal. Generac garantiza el sistema de control de emisiones en su equipo por el período que se enumera a continuación siempre que no haya habido abuso, negligencia, modificación no aprobada o mantenimiento incorrecto de su equipo. El sistema de control de emisiones de este equipo incluye todos los componentes cuya falla aumentaría la emisión de todo contaminante regulado. Estos componentes se enumeran en la sección Información sobre Emisiones de este manual.

COBERTURA DE LA GARANTÍA DEL FABRICANTE:

Esta Garantía ECS es válida por dos años, o por el mismo período que se especifique en la Garantía Limitada Generac, el que sea más largo. Para los equipos que tienen medidor de horas, el período de garantía es un número de horas igual a la mitad de la vida útil para la que está certificado el equipo, o el período de garantía especificado en años, el que sea menor. La vida útil se puede encontrar en la etiqueta de Control de Emisiones del motor. Si durante dicho período de garantía se identifica que cualquier parte de su equipo relacionada con las emisiones está defectuosa en cuanto a sus materiales o fabricación, un Centro de Servicio de Garantía Autorizado de Generac realizará las reparaciones o reemplazos.

RESPONSABILIDADES DEL DUEÑO EN LA GARANTÍA:

Como dueño del equipo, usted es responsable de la realización de todo el mantenimiento requerido como se indica en su Manual del Usuario suministrado de fábrica. Para los propósitos de la garantía, Generac recomienda que guarde todos los recibos de mantenimiento de su generador, pero Generac no puede invalidar la garantía solamente debido a la falta de recibos.

Usted debe saber que Generac puede negar cualquier y/o toda garantía de cobertura o responsabilidad si su equipo, o una parte o componente del mismo, ha fallado debido al abuso, mantenimiento inapropiado, o modificaciones no autorizadas.

Usted es responsable de ponerse en contacto con un Centro de Garantía Autorizado de Generac tan pronto como ocurra un problema. Las reparaciones por garantía deben terminarse en un periodo de tiempo razonable, que no exceda de 30 días.

El servicio por garantía puede ser coordinado poniéndose en contacto con su distribuidor autorizado o con un Centro de Servicio de Garantía Autorizado de Generac. Para ubicar al Distribuidor de Servicio de Garantía Autorizado de Generac más cercano, llame al número gratuito que aparece debajo, o contáctenos a través del correo electrónico: emissions@generac.com.

1-800-333-1322

NOTA IMPORTANTE: Esta declaración de garantía explica sus derechos y obligaciones según la Garantía del Sistema de Control de Emisiones (Garantía ECS), que le es proporcionada por Generac conforme a la ley federal. Vea también las "Garantías Limitadas de Generac para Generac Power Systems, Inc.", que se incluyen en otra hoja en este documento, y que también le son proporcionadas por Generac. Observe que esta garantía no se aplicará a los daños incidentales, consecuentes o indirectos ocasionados por defectos en materiales o fabricación o a algún retraso en la reparación o el reemplazo de las partes defectuosas. Esta garantía reemplaza a las otras garantías, expresadas o implícitas. Específicamente, Generac no ofrece ninguna otra garantía en cuanto a la comerciabilidad o idoneidad para algún propósito en particular. Cualquier garantía implícita permitida por ley, será limitada en su duración a los términos de la garantía expresa proporcionada en el presente. Algunos estados no permiten limitaciones en cuanto a la duración de una garantía implícita, así que la limitación anterior puede no aplicarse a usted.

La Garantía del ECS se aplica solamente al sistema de control de emisiones de su nuevo equipo. La Garantía del ECS y la Garantía de Generac describen derechos y obligaciones importantes relacionadas con su nuevo motor.

El servicio de garantía puede realizarse solamente por un Centro de Servicio de Garantía Autorizado de Generac. Al pedir el servicio de garantía, se deben presentar pruebas en las que se indique la fecha de la venta al comprador/dueño original.

Si tiene alguna pregunta sobre sus derechos y responsabilidades de la garantía, debe contactarse con Generac, en la dirección siguiente:

**A LA ATENCIÓN DEL DEPARTAMENTO DE GARANTÍAS
GENERAC POWER SYSTEMS, INC.
P.O. BOX 297 • WHITEWATER, WI 53190**

GARANTÍA DEL SISTEMA DE CONTROL DE EMISIONES

Garantía del Sistema de Control de Emisiones [ECS, por sus siglas en inglés] (garantía del ECS) para equipos que usan pequeños motores encendidos con chispa:

- (a) Aplicación: Esta garantía se aplicará a los equipos que utilizan pequeños motores no para vehículos. El período de garantía del ECS comenzará en la fecha en que el equipo nuevo es comprado o entregado a su comprador/dueño original y usuario final, y continuará por 24 meses consecutivos después de esa fecha.
 - (1) El período especificado en la presente Garantía Limitada de Generac, pero no menos de 24 meses, o
 - (2) Para motores equipados con medidor de horas, un número de horas de operación igual a la mitad de la vida útil de motor. La vida útil se puede encontrar en la etiqueta de Control de Emisiones del motor.
- (b) Cobertura General de la Garantía de Emisiones: Generac garantiza al comprador/dueño original y usuario final del nuevo motor o equipo y a cada comprador/ dueño subsiguiente que el ECS cuando se instaló:
 - (1) Estaba diseñado, construido y equipado para cumplir con todas las normas aplicables; y
 - (2) Estaba libre de defectos en los materiales y fabricación que pudieran ocasionar fallas de una pieza con garantía en cualquier momento durante el Período de Garantía del ECS.
- (c) La garantía para las piezas relacionadas con emisiones será interpretada como sigue:
 - (1) Cualquier pieza con garantía que no esté programada para reemplazo como parte del mantenimiento necesario indicado en el Manual del Usuario será garantizada por el Período de Garantía del ECS. Si cualquiera de estas piezas falla durante el Período de Garantía del ECS, será reparada o reemplazada por Generac según la subsección (4) siguiente. Dicha parte reparada o reemplazada bajo la Garantía del ECS será garantizada por el resto del Período de Garantía del ECS.
 - (2) Cualquier parte garantizada que esté programada solamente para las inspecciones regulares según se especifique en el Manual del Usuario será garantizada por el Período de Garantía del ECS. Un enunciado en el Manual del Usuario que indique "repare o reemplace cuanto sea necesario" no reducirá el Período de Garantía del ECS. Dicha parte reparada o reemplazada bajo la Garantía del ECS será garantizada por el resto del Período de Garantía del ECS.
 - (3) Cualquier pieza con garantía que esté programada para reemplazo como parte del mantenimiento necesario en el Manual del Usuario será garantizada por el período de tiempo previo al primer reemplazo programado para dicha pieza. Si la pieza falla antes del primer reemplazo programado, la pieza será reparada o reemplazada por Generac según la subsección (4) siguiente. Dicha pieza relacionada con las emisiones que haya sido reparada o reemplazada bajo la garantía del ECS será garantizada por el resto del período previo al primer reemplazo programado para esa pieza.
 - (4) La reparación o el reemplazo de cualquier pieza garantizada relacionada con las emisiones bajo esta Garantía del ECS será sin cargo para el dueño en un Centro de Servicio de Garantía Autorizado de Generac.
 - (5) A pesar de las disposiciones de la subsección (4) anterior, los servicios de garantía o de reparaciones se deben proporcionar en un Centro de Servicio Autorizado de Generac.
 - (6) Cuando el motor es examinado por un Centro de Servicio de Garantía Autorizado de Generac, el comprador/dueño no será responsable del costo de diagnóstico si la reparación está cubierta por la garantía.
 - (7) Durante el Período de Garantía del ECS, Generac tendrá el inventario de piezas relacionadas con las emisiones bajo garantía suficiente para cubrir la demanda prevista para tales piezas.
 - (8) Las piezas de recambio relacionadas con las emisiones que hayan sido autorizadas y aprobadas por Generac se pueden utilizar durante cualquier mantenimiento o reparación de Garantía del ECS y serán proporcionadas sin cargo al comprador/dueño. Dicho uso no reducirá las obligaciones de la Garantía del ECS de Generac.
 - (9) No se pueden realizar otras modificaciones al generador, excepto aquellas explícitamente aprobadas por Generac. Las modificaciones no aprobadas anulan la Garantía ECS y son motivo suficiente para invalidar un reclamo a ésta.
 - (10) Generac no será responsable por fallas de repuestos no autorizados, o fallas de piezas autorizadas causadas por el uso de repuestos no autorizados.

LAS PIEZAS RELACIONADAS CON EMISIONES PUEDEN INCLUIR LAS SIGUIENTES (SI ESTÁN INSTALADAS):

- | | |
|--|--|
| 1) SISTEMA DE DOSIFICACIÓN DEL COMBUSTIBLE | 3) SISTEMA DE IGNICIÓN |
| A. CARBURADOR Y PIEZAS INTERNAS | A. BUJÍAS |
| B. TANQUE/TAPÓN DE COMBUSTIBLE | B. BOBINAS/MÓDULO DE ARRANQUE |
| C. LÍNEAS DE COMBUSTIBLE | 4) SISTEMA DE INYECCIÓN DE AIRE |
| D. LÍNEAS DE VENTEO EVAPORATIVO | A. VÁLVULA DE INDUCCIÓN DE AIRE POR IMPULSOS |
| E. REGULADOR (COMBUSTIBLES GASEOSOS) | 5) SISTEMA DE ESCAPE |
| 2) SISTEMA DE INDUCCIÓN DE AIRE | A. CATALIZADOR |
| A. MÚLTIPLE DE ADMISIÓN | B. CAÑO DE ESCAPE |
| B. FILTRO DE AIRE | |

EMISIÓN DE LA GARANTÍA PARA LOS EQUIPOS CERTIFICADOS CARB

CALIFORNIA Y LA EPA DE EE.UU. DECLARACIÓN DE CONTROL DE EMISIONES DE GARANTÍA SUS DERECHOS Y OBLIGACIONES

La Junta de Recursos Aéreos de California (California Air Resource Board, CARB) y la Agencia de Protección Ambiental de los Estados Unidos (United States Environmental Protection Agency, EPA), junto con Generac Power Systems, Inc. (Generac) se complacen en explicar la garantía del sistema de control de emisiones (garantía ECS) en su nuevo equipo de 2012. Los equipos nuevos que utilizan pequeños motores encendidos con chispa se deben diseñar, construir, y equipar de tal forma que cumplan con las estrictas normas contra el smog del gobierno federal y el estado de California. Generac garantiza el sistema de control de emisiones en su equipo por el período que se enumera a continuación siempre que no haya habido abuso, negligencia, modificación no aprobada o mantenimiento incorrecto de su equipo.

El sistema de control de emisiones de este equipo incluye todos los componentes cuya falla aumentaría la emisión de todo contaminante regulado. Estos componentes se enumeran en la sección Información sobre Emisiones de este manual.

COBERTURA DE LA GARANTÍA DEL FABRICANTE:

Esta Garantía ECS es válida por dos años, o por el mismo período que se especifique en la Garantía Limitada Generac, el que sea más largo. Para los equipos que tienen medidor de horas, el período de garantía es un número de horas igual a la mitad de la vida útil para la que está certificado el equipo, o el período de garantía especificado en años, el que sea menor. La vida útil se puede encontrar en la etiqueta de Control de Emisiones del motor. Si durante dicho período de garantía se identifica que cualquier parte de su equipo relacionada con las emisiones está defectuosa en cuanto a sus materiales o fabricación, un Centro de Servicio de Garantía Autorizado de Generac realizará las reparaciones o reemplazos.

RESPONSABILIDADES DEL DUEÑO EN LA GARANTÍA:

Como dueño del equipo, usted es responsable de la realización de todo el mantenimiento requerido como se indica en su Manual del Usuario suministrado de fábrica. Para los propósitos de la garantía, Generac recomienda que guarde todos los recibos de mantenimiento de su generador, pero Generac no puede invalidar la garantía solamente debido a la falta de recibos.

Usted debe saber que Generac puede negar cualquier y/o toda garantía de cobertura o responsabilidad si su equipo, o una parte o componente del mismo, ha fallado debido al abuso, mantenimiento inapropiado, o modificaciones no autorizadas.

Usted es responsable de ponerse en contacto con un Centro de Garantía Autorizado de Generac tan pronto como ocurra un problema. Las reparaciones por garantía deben terminarse en un periodo de tiempo razonable, que no exceda de 30 días.

El servicio por garantía puede ser coordinado poniéndose en contacto con su distribuidor autorizado o con un Centro de Servicio de Garantía Autorizado de Generac. Para ubicar al Distribuidor de Servicio de Garantía Autorizado de Generac más cercano, llame al número gratuito que aparece debajo, o contáctenos a través del correo electrónico: emissions@generac.com.

1-800-333-1322

NOTA IMPORTANTE: Esta declaración de garantía explica sus derechos y obligaciones según la Garantía del Sistema de Control de Emisiones (Garantía ECS), que le es proporcionada por Generac conforme a la ley federal. Vea también las "Garantías Limitadas de Generac para Generac Power Systems, Inc.", que se incluyen en otra hoja en este documento, y que también le son proporcionadas por Generac. Observe que esta garantía no se aplicará a los daños incidentales, consecuentes o indirectos ocasionados por defectos en materiales o fabricación o a algún retraso en la reparación o el reemplazo de las partes defectuosas. Esta garantía reemplaza a las otras garantías, expresadas o implícitas. Específicamente, Generac no ofrece ninguna otra garantía en cuanto a la comerciabilidad o idoneidad para algún propósito en particular. Cualquier garantía implícita permitida por ley, será limitada en su duración a los términos de la garantía expresa proporcionada en el presente. Algunos estados no permiten limitaciones en cuanto a la duración de una garantía implícita, así que la limitación anterior puede no aplicarse a usted.

La Garantía del ECS se aplica solamente al sistema de control de emisiones de su nuevo equipo. La Garantía del ECS y la Garantía de Generac describen derechos y obligaciones importantes relacionadas con su nuevo motor.

El servicio de garantía puede realizarse solamente por un Centro de Servicio de Garantía Autorizado de Generac. Al pedir el servicio de garantía, se deben presentar pruebas en las que se indique la fecha de la venta al comprador/dueño original.

Si tiene alguna pregunta sobre sus derechos y responsabilidades de la garantía, debe contactarse con Generac, en la dirección siguiente:

A LA ATENCIÓN DEL DEPARTAMENTO DE GARANTÍAS

GENERAC POWER SYSTEMS, INC.

P.O. BOX 297 • WHITEWATER, WI 53190

EMISIÓN DE LA GARANTÍA PARA LOS EQUIPOS CERTIFICADOS CARB

GARANTÍA DEL SISTEMA DE CONTROL DE EMISIONES

Garantía del Sistema de Control de Emisiones [ECS, por sus siglas en inglés] (garantía del ECS) para equipos que usan pequeños motores encendidos con chispa:

- (a) Aplicación: Esta garantía se aplicará a los equipos que utilizan pequeños motores no para vehículos. El período de garantía del ECS comenzará en la fecha en que el equipo nuevo es comprado o entregado a su comprador/dueño original y usuario final, y continuará por 24 meses consecutivos después de esa fecha.
- (1) El período especificado en la presente Garantía Limitada de Generac, pero no menos de 24 meses, o
- (2) Para motores equipados con medidor de horas, un número de horas de operación igual a la mitad de la vida útil de motor. La vida útil se puede encontrar en la etiqueta de Control de Emisiones del motor.
- (b) Cobertura General de la Garantía de Emisiones: Generac garantiza al comprador/dueño original y usuario final del nuevo motor o equipo y a cada comprador/dueño subsiguiente que el ECS cuando se instaló:
- (1) Estaba diseñado, construido y equipado para cumplir con todas las normas aplicables; y
- (2) Estaba libre de defectos en los materiales y fabricación que pudieran ocasionar fallas de una pieza con garantía en cualquier momento durante el Período de Garantía del ECS.
- (c) La garantía para las piezas relacionadas con emisiones será interpretada como sigue:
- (1) Cualquier pieza con garantía que no esté programada para reemplazo como parte del mantenimiento necesario indicado en el Manual del Usuario será garantizada por el Período de Garantía del ECS. Si cualquiera de estas piezas falla durante el Período de Garantía del ECS, será reparada o reemplazada por Generac según la subsección (4) siguiente. Dicha parte reparada o reemplazada bajo la Garantía del ECS será garantizada por el resto del Período de Garantía del ECS.
- (2) Cualquier parte garantizada que esté programada solamente para las inspecciones regulares según se especifique en el Manual del Usuario será garantizada por el Período de Garantía del ECS. Un enunciado en el Manual del Usuario que indique "repare o reemplace cuanto sea necesario" no reducirá el Período de Garantía del ECS. Dicha parte reparada o reemplazada bajo la Garantía del ECS será garantizada por el resto del Período de Garantía del ECS.
- (3) Cualquier pieza con garantía que esté programada para reemplazo como parte del mantenimiento necesario en el Manual del Usuario será garantizada por el período de tiempo previo al primer reemplazo programado para dicha pieza. Si la pieza falla antes del primer reemplazo programado, la pieza será reparada o reemplazada por Generac según la subsección (4) siguiente. Dicha pieza relacionada con las emisiones que haya sido reparada o reemplazada bajo la garantía del ECS será garantizada por el resto del período previo al primer reemplazo programado para esa pieza.
- (4) La reparación o el reemplazo de cualquier pieza garantizada relacionada con las emisiones bajo esta Garantía del ECS será sin cargo para el dueño en un Centro de Servicio de Garantía Autorizado de Generac.
- (5) A pesar de las disposiciones de la subsección (4) anterior, los servicios de garantía o de reparaciones se deben proporcionar en un Centro de Servicio Autorizado de Generac.
- (6) Cuando el motor es examinado por un Centro de Servicio de Garantía Autorizado de Generac, el comprador/dueño no será responsable del costo de diagnóstico si la reparación está cubierta por la garantía.
- (7) Durante el Período de Garantía del ECS, Generac tendrá el inventario de piezas relacionadas con las emisiones bajo garantía suficiente para cubrir la demanda prevista para tales piezas.
- (8) Las piezas de recambio relacionadas con las emisiones que hayan sido autorizadas y aprobadas por Generac se pueden utilizar durante cualquier mantenimiento o reparación de Garantía del ECS y serán proporcionadas sin cargo al comprador/dueño. Dicho uso no reducirá las obligaciones de la Garantía del ECS de Generac.
- (9) No se pueden realizar otras modificaciones al generador, excepto aquellas explícitamente aprobadas por Generac. Las modificaciones no aprobadas anulan la Garantía ECS y son motivo suficiente para invalidar un reclamo a ésta.
- (10) Generac no será responsable por fallas de repuestos no autorizados, o fallas de piezas autorizadas causadas por el uso de repuestos no autorizados.

LAS PIEZAS RELACIONADAS CON EMISIONES PUEDEN INCLUIR LAS SIGUIENTES (SI ESTÁN INSTALADAS):

- | | |
|--|--|
| 1) SISTEMA DE DOSIFICACIÓN DEL COMBUSTIBLE | 3) SISTEMA DE IGNICIÓN |
| A. CARBURADOR Y PIEZAS INTERNAS | A. BUJÍAS |
| B. TANQUE/TAPÓN DE COMBUSTIBLE | B. BOBINAS/MÓDULO DE ARRANQUE |
| C. LÍNEAS DE COMBUSTIBLE | 4) SISTEMA DE INYECCIÓN DE AIRE |
| D. LÍNEAS DE VENTEO EVAPORATIVO | A. VÁLVULA DE INDUCCIÓN DE AIRE POR IMPULSOS |
| E. REGULADOR (COMBUSTIBLES GASEOSOS) | 5) SISTEMA DE ESCAPE |
| F. CARBÓN ACTIVO | A. CATALIZADOR |
| 2) SISTEMA DE INDUCCIÓN DE AIRE | B. CAÑO DE ESCAPE |
| A. MÚLTIPLE DE ADMISIÓN | |
| B. FILTRO DE AIRE | |

Garantía

GARANTÍA LIMITADA DE "DOS AÑOS" DE SISTEMAS DE POTENCIA GENERAC PARA GENERADORES PORTÁTILES SERIE GP

Por un periodo de dos años (2) desde la fecha de la venta original, Generac Power Systems, Inc. (Generac) garantiza sus generadores serie GP como libres de defectos en materiales y mano de obra por los ítems y periodos indicados abajo. Generac, a su discreción, reparará o reemplazará cualquier parte que, luego de un examen, inspección y pruebas realizadas por un concesionario de servicio de garantía autorizado de Generac, se encuentre que está defectuosa. La reparación o reemplazo conforme a lo indicado en esta garantía limitada no renovará ni extenderá el periodo de garantía original. Cualquier producto reparado deberá estar bajo garantía sólo por el periodo de garantía original que reste. Cualquier equipo que el comprador/propietario reclame como defectuoso debe ser regresado a y examinado por el concesionario de servicio de garantía autorizado por Generac más cercano. Todos los costos de transporte bajo la garantía, incluyendo el retorno a la fábrica, serán por cuenta y prepagados por el propietario/comprador. Esta garantía se aplica sólo a los generadores portátiles serie GP de Generac y no es transferible del propietario original. Guarde su comprobante de compra. Si usted no proporciona una prueba de la fecha de la compra inicial, se usará la fecha de embarque del producto del fabricante para determinar el periodo de garantía.

PROGRAMACIÓN DE GARANTÍA

Las aplicaciones para consumidor están garantizadas por dos (2) años. Las aplicaciones comerciales y de alquiler están garantizadas por un (1) años o 1000 horas como máximo, lo que llegue primero.

DE APLICACIONES PARA CONSUMIDORES DE LOS ESTADOS UNIDOS Y CANADÁ

AÑO UNO – Cobertura completa limitada en mano de obra y repuestos listados (se requiere comprobante de compra y mantenimiento):

- Motor - Todos los componentes
- Alternador - Todos los componentes

AÑO DOS – Cobertura completa limitada en repuestos listados (se requiere comprobante de compra y mantenimiento):

- Motor - Todos los componentes
- Alternador - Todos los componentes

APLICACIÓN COMERCIAL / DE ALQUILER

AÑO UNO – Cobertura completa limitada en mano de obra y repuestos listados (se requiere comprobante de compra y mantenimiento):

- Motor - Todos los componentes
- Alternador - Todos los componentes

NOTA: Para el propósito de esta garantía "uso de consumidor" significa uso personal en casa residencial o recreacional por el comprador original. La garantía no aplica a unidades usadas para Fuente Primaria de Energía en lugar del servicio público donde el servicio público se encuentre presente o donde el servicio público de energía no exista normalmente. Una vez que el generador ha experimentado uso comercial o de alquiler, se le considerará en adelante un generador no para uso del consumidor para propósitos de esta garantía.

LINEAMIENTOS:

1. Todas las reparaciones por garantía deben ser realizadas y/o atendidas por un concesionario de Generac Power Systems autorizado y/o certificado o sus filiales.
2. Unidades que hayan sido revendidas no están cubiertas por la garantía de Generac, ya que esta garantía no es transferible.
3. El uso de repuestos que no son de Generac invalida la garantía en su totalidad.
4. Generac puede elegir reparar, reemplazar o reembolsar un equipo.
5. Los costos de mano de obra cubiertos por garantía se basan en horas normales de trabajo. Costos adicionales por sobretiempos, feriados o trabajos de emergencia fuera de horas normales de trabajo serán responsabilidad del cliente.
6. El costo del embarque de repuestos cubiertos por garantía es reembolsado a una tarifa de embarque por tierra. Los costos relacionados por una solicitud de embarque expedido serán responsabilidad del cliente.
7. Las baterías están garantizadas por el fabricante de las mismas.
8. Tal vez se requiera verificar el mantenimiento para que la cobertura de garantía aplique.

ESTA GARANTÍA NO SE APLICARÁ A LO SIGUIENTE:

1. Costos de mantenimiento normal y ajustes.
2. Fallas causadas por combustibles o aceites contaminados, o la falta de niveles apropiados.
3. Reparaciones o diagnósticos realizados por individuos diferentes a los concesionarios autorizados por Generac que no estén autorizados por escrito por Generac.
4. Fallas debido a, pero no limitándose a, el uso y desgaste normal, accidente, mal uso, abuso, negligencia o uso inapropiado.
5. Como todo dispositivo mecánico, los motores Generac necesitan servicio y repuestos periódicamente para funcionar como están diseñados. Esta garantía no cubre reparaciones cuando el uso normal ha agotado la vida útil de una parte o motor.
6. Las fallas causadas por cualquier causa externa o acto de Dios, como colisión, robo, vandalismo, disturbios o guerra, holocausto nuclear, incendio, congelamiento, electricidad atmosférica, terremoto, tormentas, granizo, erupción volcánica, agua o inundaciones, tornados o huracanes.
7. El daño relacionado a roedores y/o plaga de insectos.
8. Los productos que son modificados o alterados de manera no autorizada por Generac por escrito.
9. Cualquier daño incidental, consecuencial o indirecto causado por defectos en los materiales y mano de obra, o cualquier retraso en reparar o reemplazar las partes defectuosas.
10. Falla debido a una mala aplicación.
11. Gastos relacionados a "instrucciones del cliente" o detección de problemas donde no se encuentre defecto de fábrica.
12. Equipo de alquiler usado mientras se realiza las reparaciones de garantía.
13. Baterías de arranque, fusibles, bombillos de luz y fluidos de motor.

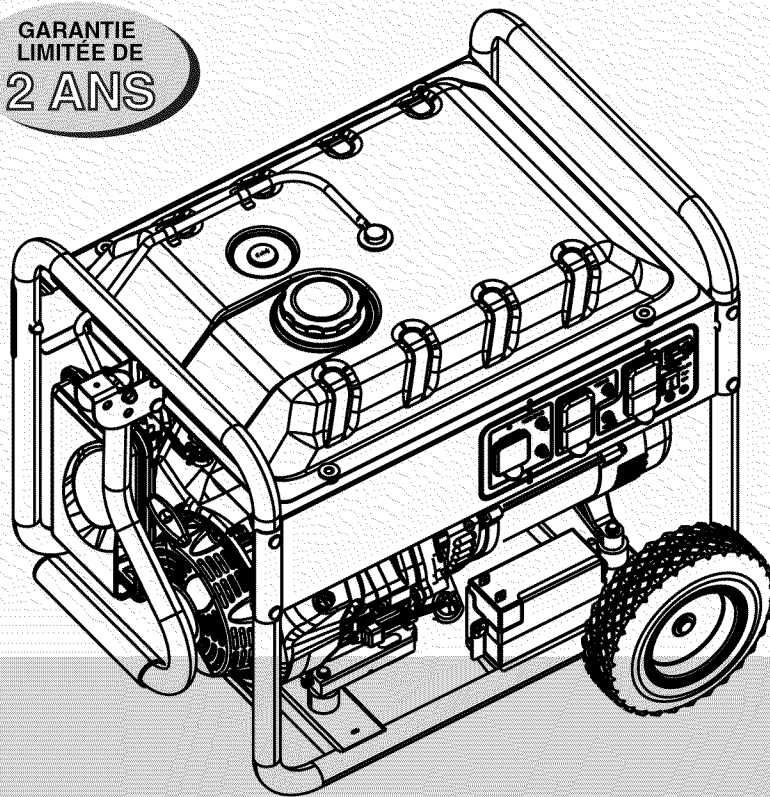
ESTA GARANTÍA REEMPLAZA A TODAS LAS OTRAS GARANTÍAS, EXPRESAS O IMPLÍCITAS. ESPECÍFICAMENTE, GENERAC NO OFRECE OTRAS GARANTÍAS COMO DE MERCANTIBILIDAD O ADECUACIÓN A UN USO PARTICULAR. Cualquier garantía implícita permitida por ley, estará limitada en duración a los términos de la garantía expresa dispuesta aquí. Algunos estados no permiten limitaciones respecto a la duración de una garantía implícita, de modo que la limitación expresada arriba puede no aplicarse a usted. LA ÚNICA RESPONSABILIDAD DE GENERAC SERÁ LA REPARACIÓN O REEMPLAZO DE LAS PARTES TAL COMO SE ESPECIFICA ARRIBA. EN NINGÚN CASO GENERAC SERÁ RESPONSABLE POR CUALQUIER DAÑO INCIDENTAL O CONSECUCIONAL, AÚN SI TALES DAÑOS SEAN UN RESULTADO DIRECTO DE UNA NEGLIGENCIA DE GENERAC. Algunos estados no permiten la exclusión o limitación de daños accidentales o resultantes, de modo que la limitación mencionadas más arriba podrían no aplicarse a usted. Esta garantía le da a usted derechos legales específicos. Usted también tiene otros derechos dependiendo del Estado.

GENERAC POWER SYSTEMS, INC. • P.O. BOX 8 • Waukesha, WI 53187 • Tel.: (888) GENERAC (436-3722) • Fax: (262) 544-4851

Para ubicar al concesionario autorizado más cercano visite nuestro sitio web: www.generac.com

Manuel d'entretien Générateur portable série GP

GARANTIE
LIMITÉE DE
2 ANS



⚠ DANGER!

- ⚠** GAZ D'ÉCHAPPEMENT MORTEL ! Utiliser UNIQUEMENT à L'EXTÉRIEUR loin des fenêtres, portes et événements !
- ⚠** L'UTILISATION N'EST PAS PRÉVUE POUR LES MOYENS D'ENTRETIEN ARTIFICIEL DE LA VIE.
- ⚠** CONSERVER ce manuel. Fournir ce manuel aux opérateurs de la génératrice.

Table des matières

Introduction.....	49	Entretien	61
Lire attentivement ce manuel	49	3.1 Effectuer le Programme d'entretien	61
Règles de sécurité	49	3.2 Programme d'entretien	61
Index des normes.....	51	3.3 Spécifications du produit.....	61
		3.3.1 Spécifications de la génératrice.....	61
		3.3.2 Spécifications du moteur	61
		3.3.3 Information à propos des émissions	61
Informations générales.....	52	3.4 Recommandations générales.....	61
1.1 Déballage	52	3.4.1 Entretien de la génératrice	61
1.1.1 Boîte d'accessoires	52	3.4.2 Nettoyer la génératrice	62
1.2 Assemblage	52	3.4.3 Entretien du moteur	62
1.2.1 Montage du kit d'accessoires.....	52	3.4.4 Vérifier le niveau d'huile.....	62
1.2.2 Connexion du câble de la batterie (démarrage électrique seulement)	53	3.4.5 Changement de l'huile.....	62
		3.4.6 Remplacer la bougie d'allumage.....	62
		3.4.7 Remplacement de la batterie (si applicable)	62
Fonctionnement	53	3.5 Entretien du filtre à air	63
2.1 Connaître la génératrice.....	53	3.5.1 Entretien de l'écran pare-étincelles (modèles CARB).....	63
2.2 Horomètre.....	55	3.6 Jeu des soupapes	63
2.3 Cordons et prises de connexion	55	3.7 Généralités	63
2.3.1 Prise double de 120 Volts CA, 20 Amp	55	3.8 Entreposage à long terme.....	64
2.3.2 Prise de 120/240 Volts CA, 30 Amp	55	3.9 Autres conseils d'entreposage	64
2.3.3 Prise double du disjoncteur GFCI de 120 Volts CA, 20 Amp	55		
2.3.4 Prise de 120/240 Volts CA, 30 Amp	56	Dépannage	65
2.4 Comment utiliser la génératrice	56	4.1 Guide de dépannage.....	65
2.4.1 Mise à la terre de la génératrice lorsqu'utilisée comme portable	56		
2.4.2 Brancher la génératrice au système électrique d'un bâtiment	57	Garantie	66
2.5 Ne pas surcharger la génératrice	57		
2.6 Guide de référence de wattage	57		
2.7 Avant de démarrer la génératrice	58		
2.7.1 Ajouter l'huile à moteur	58		
2.7.2 Ajouter de l'essence.....	58		
2.8 Démarrer les moteurs à démarrage manuel	59		
2.9 Démarrer les moteur à démarrage électrique	59		
2.9.1 Démarrage manuel	60		
2.10 Arrêter le moteur	60		
2.11 Système d'arrêt de niveau bas d'huile	60		
2.11.1 Détection du bas niveau d'huile.....	60		
2.12 Charger la batterie (appareils à démarrage électrique seulement)	60		

INTRODUCTION

Merci d'avoir acheté ce modèle fabriqué par Generac Power Systems, Inc. Ce modèle est une génératrice entraînée par moteur compacte, à haute performance, refroidie à l'air, conçue pour fournir l'alimentation électrique afin de faire fonctionner les charges électriques lorsqu'aucun réseau électrique n'est disponible ou à la place du réseau en raison d'une coupure de courant.

LIRE ATTENTIVEMENT CE MANUEL

En cas d'incompréhension d'une partie de ce manuel, contacter le dépositaire agréé le plus proche pour connaître les procédures de démarrage, de fonctionnement et d'entretien.

L'opérateur est responsable de l'utilisation correcte et sûre de l'équipement. Nous recommandons fortement à l'opérateur de lire ce manuel et de comprendre complètement toutes les instructions avant d'utiliser l'équipement. Nous recommandons également fortement d'apprendre à d'autres utilisateurs comment correctement démarrer et faire fonctionner l'unité. Cela les prépare au cas où ils auraient besoin de faire fonctionner l'équipement pour une urgence.

La génératrice peut fonctionner en toute sécurité, de façon efficace et de façon fiable uniquement si elle est correctement installée, utilisée et entretenue. Avant d'utiliser ou d'entretenir la génératrice :

- Se familiariser avec et respecter strictement tous les codes et réglementations locaux, d'Etat et nationaux.
- Lire attentivement tous les avertissements de sécurité figurant dans ce manuel et sur le produit.
- Se familiariser avec ce manuel et l'unité avant de l'utiliser.

Le fabricant ne peut pas anticiper toutes les situations possibles qui peuvent impliquer un danger. Les avertissements de ce manuel et figurant sur les étiquettes et les autocollants apposés sur l'unité ne sont, toutefois, pas exhaustifs. Si vous suivez une procédure, une méthode de travail ou une technique de fonctionnement que le fabricant ne recommande pas en particulier, assurez-vous qu'elle est sans danger pour les autres. S'assurer que la procédure, la méthode de travail ou la technique de fonctionnement choisie ne rende pas la génératrice dangereuse.

LES INFORMATIONS CONTENUES DANS LE PRÉSENT MANUEL SE BASENT SUR LES MACHINES EN PRODUCTION AU MOMENT DE LA PUBLICATION. GENERAC SE RÉSERVE LE DROIT DE MODIFIER CE MANUEL À TOUT MOMENT.

RÈGLES DE SÉCURITÉ

Dans tout ce manuel, et sur les étiquettes et sur les autocollants apposés sur la génératrice, les blocs DANGER, AVERTISSEMENT, ATTENTION et REMARQUE servent à alerter le personnel d'instructions spéciales au sujet d'une opération spécifique qui peut s'avérer dangereuse si elle n'est pas effectuée correctement ou avec précaution. Les respecter attentivement. Leurs définitions sont les suivantes :

▲ DANGER

INDIQUE UNE SITUATION OU UNE ACTION DANGEREUSE QUI, SI ELLE N'EST PAS ÉVITÉE, ENTRAÎNERA LA MORT OU DES BLESSURES GRAVES.

▲ AVERTISSEMENT

Indique une situation ou une action dangereuse qui, si elle n'est pas évitée, pourrait entraîner la mort ou des blessures graves.

▲ ATTENTION


Indique une situation ou une action dangereuse qui, si elle n'est pas évitée, entraînera des blessures légères ou modérées.


REMARQUE :


Les remarques contiennent des informations supplémentaires importantes relatives à une procédure et se trouvent dans le corps de texte régulier de ce manuel.


Ces avertissements de sécurité ne peuvent pas éliminer les dangers qu'ils signalent. Le sens commun et le respect strict des instructions spéciales lors de l'action ou l'entretien sont essentiels pour éviter les accidents.

Quatre symboles de sécurité couramment utilisés accompagnent les blocs **DANGER**, **AVERTISSEMENT** et **ATTENTION**. Chacun indique le type d'informations suivant :

 **Ce symbole indique des informations importantes relatives à la sécurité qui, si elles ne sont pas suivies, pourraient mettre en danger la sécurité personnelle et/ou les biens.**

 **Ce symbole indique un risque potentiel d'explosion.**

 **Ce symbole indique un risque potentiel d'incendie.**

 **Ce symbole indique un risque potentiel d'électrocution.**

DANGERS GÉNÉRAUX

- NE JAMAIS faire fonctionner dans un espace clos, dans un véhicule, ou à l'intérieur même si les portes et les fenêtres sont ouvertes.
- Pour des raisons de sécurité, le fabricant recommande que la maintenance de cet équipement soit effectuée par un dépositaire agréé. Inspecter régulièrement la génératrice et contacter le dépositaire agréé le plus proche pour les pièces qui nécessitent une réparation ou un remplacement.
- Faire fonctionner la génératrice uniquement sur des surfaces de niveau et où elle ne sera pas exposée à l'humidité, aux saletés, à la poussière ou aux vapeurs corrosives excessives.
- Tenir les mains, les pieds, les vêtements, etc., à distance des courroies de transmission, des ventilateurs et d'autres pièces mobiles. Ne jamais retirer tout protège-ventilateur pendant que l'unité fonctionne.
- Certaines pièces de la génératrice deviennent extrêmement chaudes pendant le fonctionnement. Rester à distance de la génératrice tant qu'elle n'a pas refroidie afin d'éviter des brûlures graves.
- Ne PAS faire fonctionner la génératrice sous la pluie.
- Ne pas modifier la construction de la génératrice ni les commandes, ce qui pourrait créer une condition de fonctionnement dangereuse.
- Ne jamais démarrer ou arrêter l'unité avec les charges électriques branchées aux prises ET avec des dispositifs branchés sous tension. Démarrer le moteur et le laisser se stabiliser avant de brancher les charges électriques. Débrancher toutes les charges électriques avant d'arrêter la génératrice.
- Ne pas insérer d'objet dans les fentes de refroidissement de l'unité.
- Lors du travail sur cet équipement, conserver l'alerte à tout moment. Ne jamais travailler sur l'équipement en cas de fatigue physique ou mentale.

Règles de sécurité

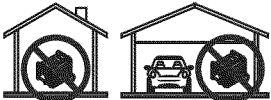
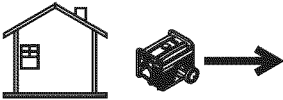
- Ne jamais utiliser la génératrice ou n'importe laquelle de ses pièces comme marche. Monter sur l'unité peut écraser et casser les pièces, et peut entraîner des conditions de fonctionnement dangereuses suite à une fuite de gaz d'échappement, une fuite de carburant, une fuite d'huile, etc.

REMARQUE :

Cette génératrice est équipée d'un port d'échappement pare-étincelles. Le propriétaire / l'opérateur de la génératrice devra garder le pare-étincelles en bon état de fonctionnement. Dans l'État de Californie, un pare-étincelles est requis par la loi (Article 4442 du California Public Resources Code). D'autres États peuvent avoir des lois similaires. Les lois fédérales s'appliquent sur le territoire fédéral.

DANGERS D'ÉCHAPPEMENT ET D'EMPLACEMENT

- **Ne jamais faire fonctionner dans un espace clos ou à l'intérieur. NE JAMAIS faire fonctionner dans un espace clos, dans un véhicule, ou à l'intérieur même si les portes et les fenêtres sont ouvertes ! Utiliser UNIQUEMENT à l'extérieur et loin des fenêtres, portes ouvertes, ventilations, et dans un espace dans lequel le gaz d'échappement ne s'accumulera pas de façon mortelle.**

⚠ DANGER	
L'utilisation d'une génératrice à l'intérieur PEUT VOUS TUER EN QUELQUES MINUTES.	
Les génératrices rejettent du monoxyde de carbone. Il s'agit d'un gaz toxique invisible et inodore.	
	
NE JAMAIS utiliser la génératrice à l'intérieur d'une résidence ou d'un garage MÊME SI les portes et les fenêtres sont ouvertes.	Utiliser uniquement à L'EXTÉRIEUR et loin des fenêtres, portes et événements.

- Les gaz d'échappement du moteur contiennent du monoxyde de carbone, qui est invisible et inodore. Ce gaz toxique, s'il est respiré en concentrations suffisantes, peut entraîner une perte de conscience ou même la mort.
- Un débit approprié, non obstrué d'air de refroidissement et de ventilation est important pour corriger le fonctionnement de la génératrice. Ne pas modifier l'installation ou ne pas laisser même un blocage partiel de l'alimentation de ventilation, étant donné que cela peut sérieusement affecter le fonctionnement sûr de la génératrice. La génératrice DOIT fonctionner à l'extérieur.
- Ce système d'échappement doit être correctement entretenu. Ne rien faire qui pourrait rendre le système d'échappement dangereux ou non conforme aux codes locaux et/ou normes locales.
- Toujours utiliser un détecteur d'oxyde de carbone à alimentation par batterie à l'intérieur, conformément aux instructions du fabricant.
- Si vous commencez à vous sentir malade, à avoir des étourdissements ou à vous sentir faible après le fonctionnement de la génératrice, respirez de l'air frais IMMÉDIATEMENT. Consultez un médecin car vous pourriez avoir été empoisonné au monoxyde de carbone.

RISQUES ÉLECTRIQUES

- La génératrice produit une tension dangereusement haute pendant son fonctionnement. Éviter le contact avec les fils nus, les bornes, les branchements, etc., pendant le fonctionnement de l'unité, même sur l'équipement branché à la génératrice. S'assurer que tous les couvercles, les dispositifs de protection et les barrières sont en place avant de faire fonctionner la génératrice.
- Ne jamais manipuler tout type de cordon ou de dispositif électrique qui est dans l'eau, alors que vous êtes pieds nus ou que vos mains ou vos pieds sont mouillés. **CELA ENTRAÎNERA UN RISQUE D'ÉLECTROCUTION.**
- Le National Electric Code (NEC, Code électrique national) exige que le bâti et que les pièces externes électriquement conductrices de la génératrice soient correctement reliés à une mise à terre approuvée. Les codes électriques locaux peuvent également exiger une mise à la terre appropriée de la génératrice. Consulter un électricien local pour connaître les exigences de mise à la terre dans la région.
- Utiliser un disjoncteur de fuite à la terre dans toute zone humide ou très conductrice (telle que le carter protecteur métallique ou l'acier).
- N'employez pas des cordons amovibles électriques usés, nus, effilochés ou autrement endommagés avec la génératrice.
- Avant d'effectuer toute maintenance sur la génératrice, débrancher la batterie de démarrage du moteur (le cas échéant) afin d'empêcher un démarrage accidentel. Débrancher le câble de la borne de la batterie signalée par l'inscription NEGATIVE (Négatif), NEG ou (-) en premier. Reconnecter le câble à la fin.
- En cas d'accident causé par électrocution, couper immédiatement la source d'alimentation électrique. Si cela est impossible, essayer de libérer la victime du conducteur sous tension. **ÉVITER TOUT CONTACT DIRECT AVEC LA VICTIME.** Utiliser un objet non conducteur, comme une corde ou une planche, pour libérer la victime du conducteur sous tension. Si la victime est inconsciente, assurer les premiers secours et demander une aide médicale immédiate.

RISQUES D'INCENDIE

- L'essence est très **INFLAMMABLE** et ses vapeurs sont **EXPLOSIVES**. Ne pas produire de fumée, flammes nues, étincelles ou chaleur à proximité de l'endroit où l'essence est manipulée.
- Ne jamais ajouter de carburant lorsque l'unité fonctionne ou est chaude. Laisser le moteur complètement refroidir avant d'ajouter du carburant.
- Ne jamais remplir le réservoir de carburant à l'intérieur. Respecter toutes les lois réglementant l'entreposage et la manipulation de l'essence.
- Ne pas trop remplir le réservoir de carburant. **Toujours laisser de la place pour l'expansion du carburant.** Si le réservoir est trop rempli, l'essence peut déborder sur un moteur chaud et entraîner un **INCENDIE** ou une **EXPLOSION**. Ne jamais entreposer la génératrice avec le réservoir rempli de carburant étant donné que les vapeurs d'essence pourraient atteindre une flamme ouverte, des étincelles ou une veilleuse (comme il y en a sur une chaudière, un chauffe-eau ou sur un sèche-linge). Cela peut entraîner un **INCENDIE** ou une **EXPLOSION**. Laisser l'unité complètement refroidir avant l'entreposage.
- Nettoyer immédiatement toute éclaboussure de carburant ou d'huile. S'assurer qu'aucune matière combustible ne reste sur ou à proximité de la génératrice. Garder l'espace environnant de la génératrice propre et sans débris et garder un jeu de cinq (5) pieds sur tous les côtés afin de permettre une aération adaptée de la génératrice.

- Ne pas insérer d'objet dans les fentes de refroidissement de l'unité.
- **Ne pas** faire fonctionner la génératrice si des dispositifs électriques branchés surchauffent ; si la puissance électrique est perdue ; si le moteur ou la génératrice fait des étincelles ; si des flammes ou de la fumée sont détectées alors que l'unité fonctionne.
- Garder un extincteur à proximité de la génératrice à tout moment.

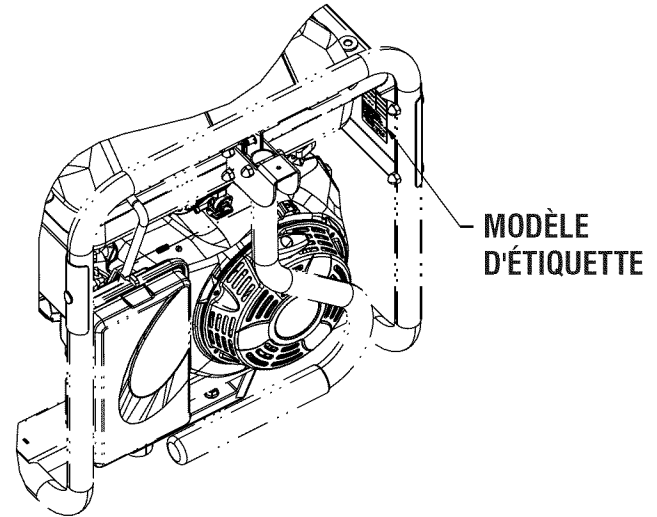
N° DE MODÈLE :	
N° DE SÉRIE :	

INDEX DES NORMES

1. National Fire Protection Association (Association nationale pour la protection contre les incendies) 70 : Le NATIONAL ELECTRIC CODE (Code électrique national) disponible auprès de www.nfpa.org
2. National Fire Protection Association (Association nationale pour la protection contre les incendies) 5000 : Le BUILDING CONSTRUCTION AND SAFETY CODE disponible auprès de www.nfpa.org
3. International Building Code disponible auprès de www.iccsafe.org
4. Agricultural Wiring Handbook disponible auprès de www.rerc.org, Rural Electricity Resource Council P.O. Box 309 Wilmington, OH 45177-0309
5. ASAE EP-364.2 Installation and Maintenance of Farm Standby Electric Power (Installation et maintenance des systèmes électriques de secours pour les fermes), disponible auprès de www.asabe.org, American Society of Agricultural & Biological Engineers, 2950 Niles Road, St. Joseph, MI 49085

Cette liste n'est pas exhaustive. Vérifier avec l'autorité locale ayant juridiction pour les codes et normes locaux qui peuvent être appliqués à votre juridiction.

Emplacement ID de l'unité



AVERTISSEMENT PROPOSITION 65 CALIFORNIE

L'échappement du moteur et certains de ses constituants sont susceptibles selon l'État de Californie d'entraîner des cancers, des malformations congénitales ou pouvant être nocifs pour le système reproductif.

AVERTISSEMENT PROPOSITION 65 CALIFORNIE

Ce produit contient ou émet des produits chimiques susceptibles selon l'État de Californie d'entraîner des cancers, des malformations congénitales ou autres maladies pouvant être nocives pour le système reproductif.

1.1 DÉBALLAGE

- Retirer tous les éléments d'emballage.
- Enlever la boîte d'accessoires séparée.
- Retirer le générateur du carton.

1.1.1 BOÎTE D'ACCESSOIRES

- 1-Manuel de l'utilisateur
- 1-Bouteille d'huile SAE 30
- 3-Fiches d'enregistrement du produit (Anglais, Espagnol, Français)
- 1-Chargeur de batterie (démarrage électrique seulement)
- 1-Assemblage de la poignée
- 1-Pied du bâti (E)
- 2-Roues jamais plates (H)
- 1-Sac pour quincaillerie (contenant ce qui suit) :
 - 2-Boulons à tête courbée longs (A)
 - 2-Écrous hexagonales (B)
 - 4-Écrous à embase (C)
 - 2-Pieds en caoutchouc (D)
 - 2-Boulons courts (F)
 - 2-Goupilles axiales (G)
 - 2-Rondelles (I)
 - 2-Goupilles fendues (J)
 - 2-Écrous à brides (démarrage électrique seulement)

1.2 ASSEMBLAGE

Il est nécessaire d'effectuer quelques étapes de montage avant d'utiliser le générateur. Si des problèmes se présentent lors du montage du générateur, merci d'appeler la ligne d'assistance pour les générateurs au 1-888-436-3722.

1.2.1 ASSEMBLAGE DE L'ENSEMBLE D'ACCESSOIRES

Consulter les instructions ci-dessous et les Figures 1A, 1B et 1C pour installer la poignée, les pieds et les roues. Remarque : les composants de la poignée sont déjà assemblés à l'usine. Les roues sont conçues pour améliorer considérablement la portabilité de la génératrice. Vous aurez besoin des outils suivants pour installer de façon appropriée l'ensemble d'accessoires :

- Rochet et douille de 13 mm [1/2 po]
- Clés polygonaux de 13 mm [1/2 po]
- Une pince à bec

Poignée

1. Installer l'assemblage de la poignée au cadre en utilisant les boulons (A) et les écrous (B).

Feet

2. Utiliser les écrous (C) pour monter les pieds en caoutchouc (D) au support du pied (E).
3. Monter le support du pied (E) au bâti avec deux boulons (F) et des écrous (C).

Roues

4. Glisser la goupille axiale (G) sur la roue (H), la rondelle (I) et sur le support du bâti.
5. Fixer la goupille axiale (G) au bâti avec la goupille fendue (J).

6. Utiliser les pinces et plier un onglet de la goupille fendue (J) vers le devant pour verrouiller en place.
7. Répéter les étapes 5, 6 et 7 pour l'autre roue.

Figure 1A – Assemblage de la poignée

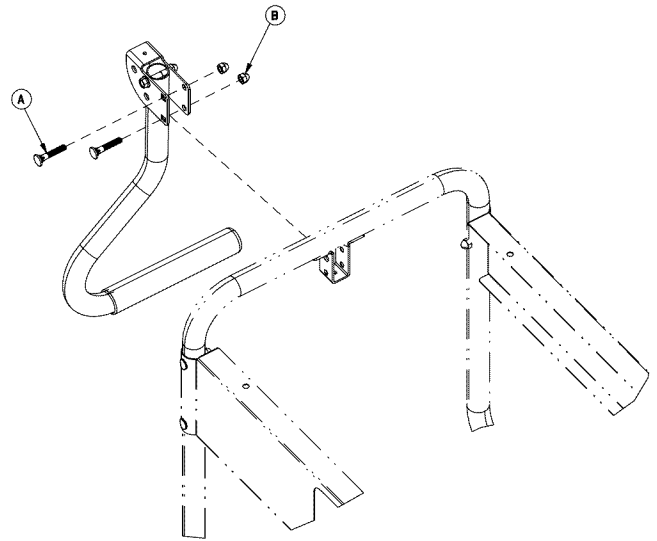


Figure 1B – Assemblage du pied

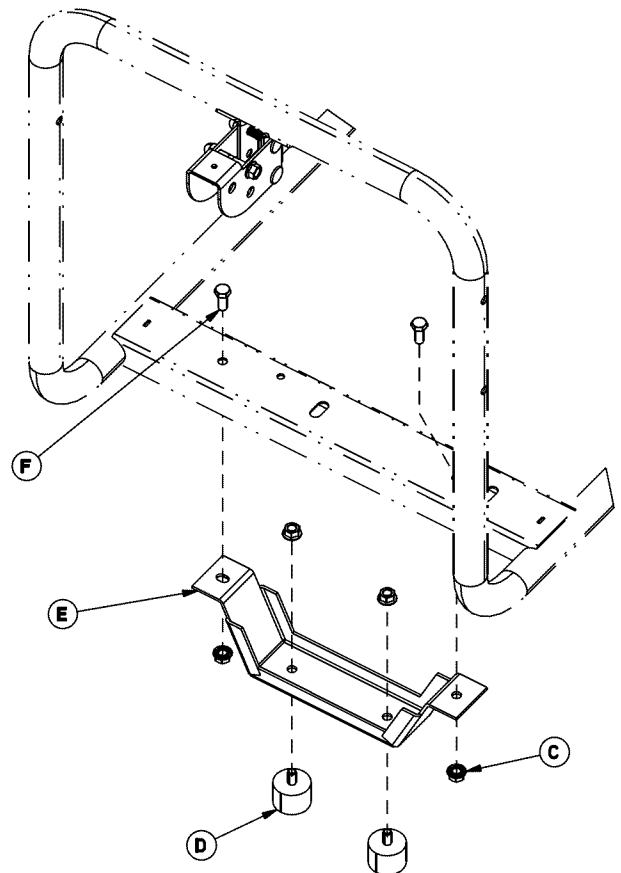
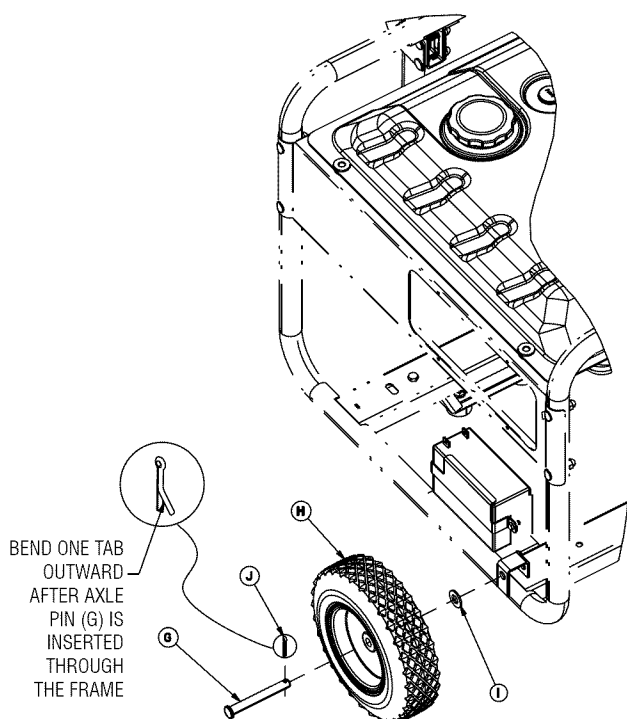


Figure 1C – Assemblage de la roue



1.2.2 CONNEXION DU CÂBLE DE LA BATTERIE (DÉMARRAGE ÉLECTRIQUE SEULEMENT)

L'unité a été envoyée avec les câbles de batterie débranchés. Vous aurez besoin d'une clé de 10mm pour fixer les câbles de batterie.

Pour brancher la batterie (voir Schéma 17 pour les informations relatives au branchement) :

1. Couper les attaches de câble fixant les câbles de batterie et retirez les couvercles rouges des bornes de la batterie.
2. Brancher d'abord le câble rouge à la borne positive (+) de la batterie à l'aide du boulon, du contre-écrou et de l'écrou fournis.
3. Brancher le câble noir à la borne négative (-) de la batterie à l'aide du boulon, du contre-écrou et de l'écrou fournis.
4. S'assurer que tous les branchements sont fixes. Faire glisser les enveloppes de caoutchouc sur les bornes et le matériel de branchement.

REMARQUE :

S'il est impossible de démarrer le moteur à l'aide de la batterie, brancher le chargeur de 12 V inclus dans la boîte d'accessoires (voir la section « Chargement de la batterie » pour plus d'informations).

2.1 CONNAÎTRE LA GÉNÉRATRICE

Merci de lire le Manuel d'entretien et les Règles de sécurité avant de faire fonctionner ce générateur.

Comparer le générateur aux Schémas 2 à 4 pour vous familiariser avec les emplacements des divers contrôles et réglages. Conserver ce manuel pour mémoire.

1. **Prise double à DDFT 120 V c.a., 20 A** – Fournit une alimentation électrique pour le fonctionnement d'un éclairage électrique, d'appareils, d'outils et de charges de moteur 120 V c.a., 20 A, monophasé, 60 Hz. CARB modèles sont équipés de prises GFCI.
2. **Prise à verrouillage 120/240 V c.a., 30 A** – Fournit une alimentation électrique pour le fonctionnement d'un éclairage électrique, d'appareils, d'outils et de charges de moteur 120 V et / ou 240 V c.a., 30 A, monophasé, 60 Hz.
3. **Disjoncteurs (c.a.)** – Chaque prise est fournie avec un disjoncteur de type « pousser pour réenclencher » pour protéger le générateur contre les surcharges électriques.
4. **Vidange d'huile** – Utilisé pour vidanger l'huile de moteur.
5. **Filtre à air** – Filtre l'air aspiré par le moteur.
6. **Étrangleur** – Utilisé au démarrage d'un moteur froid.
7. **Réservoir d'essence** – Voir les Caractéristiques techniques du générateur pour la contenance du réservoir.
8. **Borne de mise à la terre** – Relie le générateur à une terre approuvée. Voir la section « Mise à la terre du générateur » pour plus d'informations.
9. **Interrupteur Run/Stop (Marche/Arrêt)** – Contrôle le fonctionnement du générateur (modèles à démarrage manuel).
- 9A. **Interrupteur de démarrage** – Utilisé pour démarrer le moteur à partir du démarreur du moteur (modèles à démarrage électrique uniquement).
10. **Pot d'échappement** – Rend silencieux le moteur.
11. **Poignée** – Pivoter et rétracter pour le stockage. Appuyer sur le bouton à ressort pour déplacer les poignées.
12. **Chapeau de gaz assis** – Emplacement de remplissage d'huile.
13. **Jauge de carburant** – Indique le niveau de carburant dans le réservoir.
14. **Remplissage d'huile** – Ajouter de l'huile ici.
15. **Lanceur à rappel** – Utiliser pour démarrer le moteur manuellement.
16. **Soupape d'arrêt** – Soupape entre le réservoir d'essence et le carburateur.
17. **Entrée du chargeur de batterie** – Cette prise a la capacité de recharger la batterie rechargeable c.c. de 12 volts, équipée d'un chargeur d'adaptateur de 12 volts qui est inclus dans la boîte d'accessoires. Derrière l'entrée du chargeur de la batterie, il y a un fusible en ligne de 1,50 A qui se trouve à l'intérieur du panneau de commande afin de protéger la batterie (démarrage électrique uniquement).
18. **Batterie** – Met sous tension le démarreur électrique (modèles de démarrage électrique uniquement).
19. **Horomètre** – Relève les heures de fonctionnement.
20. **Pare-étincelles** – Réduit les risques d'incendie en contenant les étincelles (modèles CARB seulement).

Fonctionnement

Schéma 2A - Panneau de commande (Modèles de 49 états)

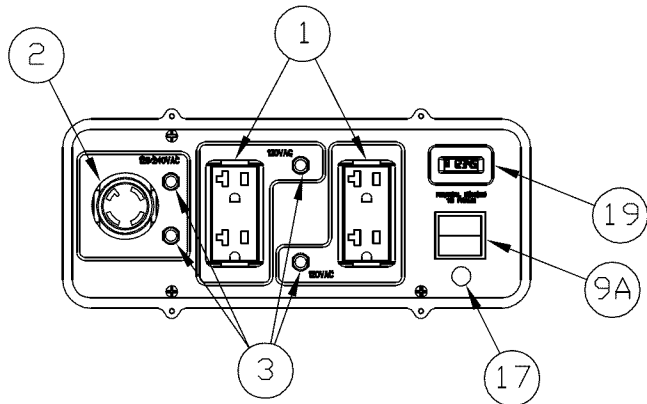


Schéma 2B - Control Panel (Modèles CARB)

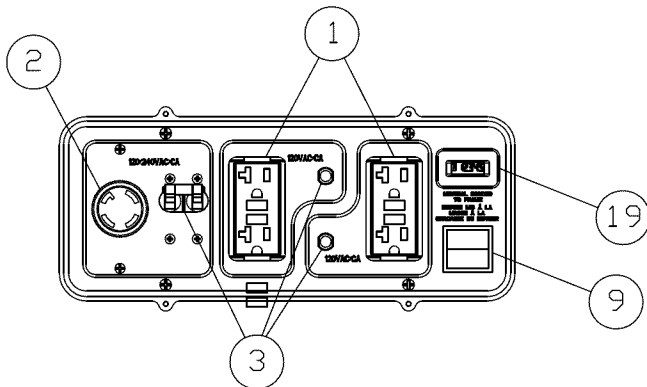


Schéma 2C - Control Panel (Modèles CSA)

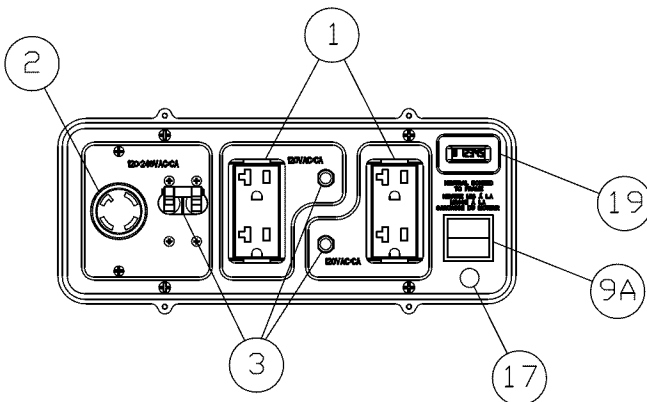


Schéma 3 - Commandes du générateur

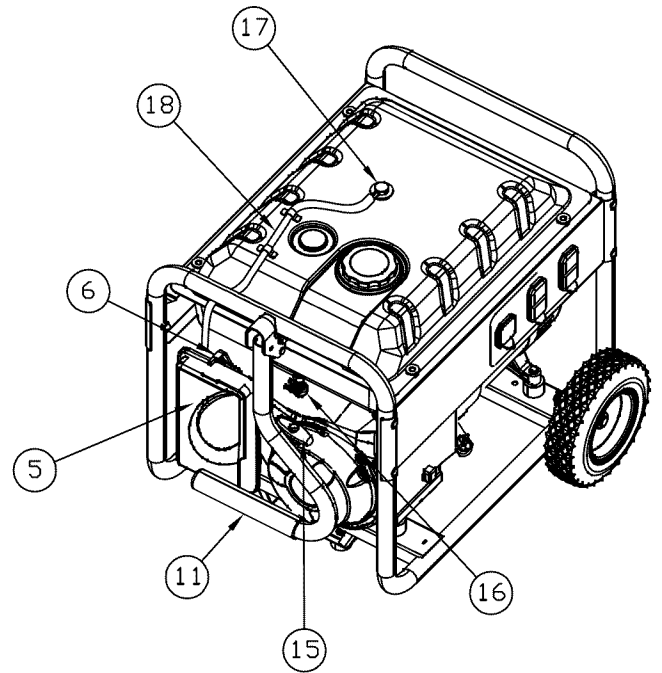
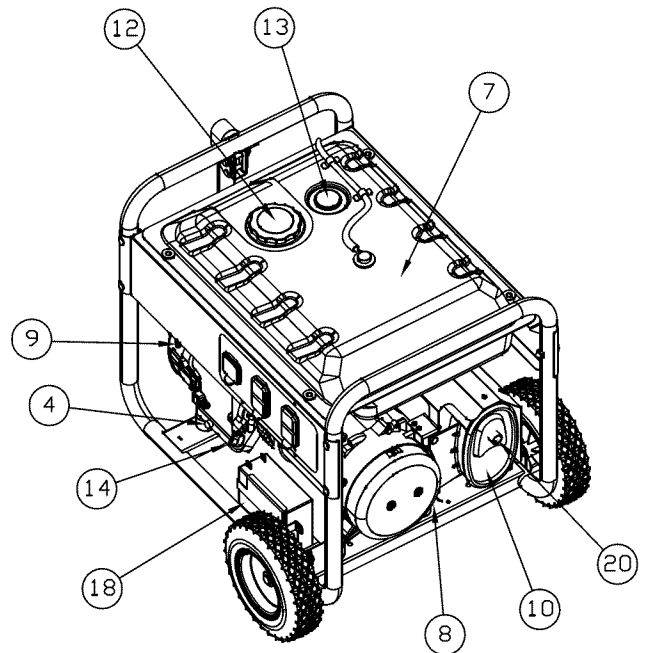


Schéma 4 - Commandes du générateur



2.2 HOROMÈTRE

L'horomètre relève les heures de fonctionnement pour la maintenance programmée :

Un message « CHG OIL » s'affichera toutes les 100 heures. Le message clignotera une heure avant et une heure après chaque intervalle de 100 heures, laissant une marge de deux heures pour effectuer l'entretien.

Ce message commencera à clignoter à la 99ème heure et se désactivera à la 101ème heure, laissant une marge de deux heures pour effectuer l'entretien.

Toutes les 200 heures, l'icône « SVC » située en bas à gauche de l'écran clignotera. Le message clignotera une heure avant et une heure après chaque intervalle de 200 heures, laissant une marge de deux heures pour effectuer l'entretien.

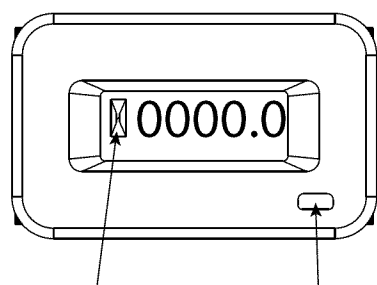
Lorsque l'horomètre est en mode Flash Alert (Alerte clignotante), le message de maintenance s'affichera toujours en alternance avec le temps écoulé en heures et en dixièmes. Les heures feront clignoter quatre heures, puis s'afficheront en alternance avec le message de maintenance quatre fois jusqu'à ce que la réinitialisation de l'horomètre.

- 100 heures - CHG OIL — Intervalle de changement d'huile (Toutes les 100 heures)
- 200 heures - SVC — Service de filtre à air (toutes les 200 heures)

REMARQUE :

Le graphique de sablier clignotera et s'éteindra lorsque le moteur est en marche. Ceci signifie que l'unité surveille les heures de fonctionnement.

Figure 5 - Horomètre



GRAPHIQUE DE SABLIER

BOUTON DE RÉINITIALISATION (LE CAS ÉCHÉANT)

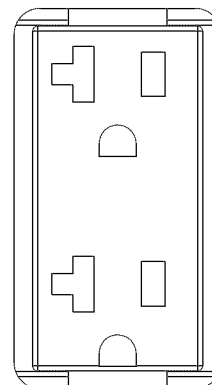
2.3 CORDONS ET PRISES DE CONNEXION

2.3.1 PRISE DOUBLE DE 120 VOLTS CA, 20 AMP

Il s'agit d'une prise de 120 volts protégée contre la surcharge par un disjoncteur de type « pousser pour réenclencher » de 20 A (Schéma 6). Utiliser chaque prise pour alimenter les charges électriques monophasées de 120 V c.a., 60 Hz nécessitant 2 400 watts (2,4 kW) ou 20 A de courant. Utiliser uniquement des cordons à trois fils avec mise à la terre, bien isolés, de haute qualité conçus pour 125 Volts à 20 A (ou plus).

Garder les cordons prolongateurs aussi courts que possible, de préférence à une longueur inférieure à 15 pieds, afin d'empêcher une chute de tension et une surchauffe potentielle des câbles.

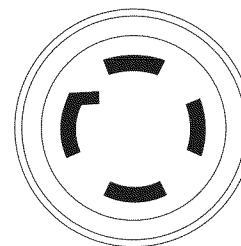
Schéma 6 - Prise double, 120 V c.a., 20 A



2.3.2 PRISE DE 120/240 VOLTS CA, 30 AMP

Utiliser une fiche NEMA L14-30 avec cette prise (tourner pour verrouiller/déverrouiller). Brancher un cordon à 4 fils avec mise à la terre adapté à la prise et à la charge souhaitée. Le cordon doit être conçu pour 250 V c.a. à 30 A (ou plus) (Schéma 7).

Schéma 7 - Prise 120/240 V c.a., 30 A



120 V/240 V
30 A

Utiliser cette prise pour faire fonctionner les charges monophasées de 120 V c.a., 60 Hz nécessitant 3 600 watts (3,6 kW) d'alimentation à 30 A ou des charges monophasées de 240 V c.a., 60 Hz nécessitant 7 200 watts (7,2 kW) d'alimentation à 30 A. La prise est protégée par deux disjoncteurs de type « pousser pour réenclencher » de 30 A.

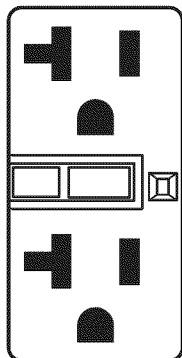
2.3.3 PRISE DOUBLE DU DISJONCTEUR GFCI DE 120 VOLTS CA, 20 AMP

Il s'agit d'une prise de 120 volts protégée contre la surcharge par un disjoncteur de type « pousser pour réenclencher » de 20 A (Schéma 8). Utiliser chaque prise pour alimenter les charges électriques monophasées de 120 V c.a., 20 A, 60 Hz nécessitant 2 400 watts (2,4 kW) ou 20 A de courant. Utiliser uniquement des cordons à trois fils avec mise à la terre, bien isolés, de haute qualité conçus pour 125 Volts à 20 A (ou plus).

Garder les cordons prolongateurs aussi courts que possible afin d'empêcher une chute de tension et une surchauffe potentielle des câbles.

Fonctionnement

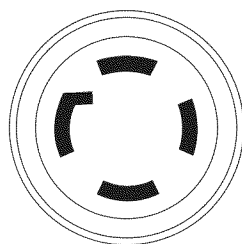
Schéma 8 - Prise double DDFT, 120 V c.a., 20 A



2.3.4 PRISE DE 120/240 VOLTS CA, 30 AMP

Utiliser une fiche NEMA L14-30 avec cette prise (tourner pour verrouiller/déverrouiller). Brancher un cordon à 4 fils avec mise à la terre adapté à la prise et à la charge souhaitée. Le cordon doit être conçu pour 250 V c.a. à 30 A (ou plus) (Schéma 9).

Schéma 9 - Prise 120/240 V c.a., 30 A



120 V/240 V
30 A

Utiliser cette prise pour faire fonctionner les charges monophasées de 120 V c.a., 60 Hz nécessitant 3 600 watts (3,6 kW) d'alimentation à 30 A ou des charges monophasées de 240 V c.a., 60 Hz nécessitant 7 200 watts (7,2 kW) d'alimentation à 30 A. La prise est protégée par deux disjoncteurs de type « pousser pour réenclencher » de 25 A (5/ 5,5 kW) ou deux disjoncteurs de 30 A (6,5 kW).





2.4 COMMENT UTILISER LA GÉNÉRATRICE

Voir la section "Démarrer le moteur" pour connaître la façon de démarrer et d'arrêter de manière sécuritaire la génératrice et la façon de brancher et débrancher les charges. Si des problèmes se présentent lors du fonctionnement de la génératrice, merci d'appeler la ligne d'assistance pour les génératrices au 1-888-436-3722.

⚠ DANGER!

- ⚠ **Ne jamais faire fonctionner dans un espace clos ou à l'intérieur. NE JAMAIS faire fonctionner dans un espace clos, dans un véhicule, ou à l'intérieur même si les portes et les fenêtres sont ouvertes ! Utiliser UNIQUEMENT à l'extérieur et loin des fenêtres, portes ouvertes, ventilations, et dans un espace dans lequel le gaz d'échappement ne s'accumulera pas de façon mortelle.**

- ⚠ Les fumées d'échappement du moteur contiennent du monoxyde de carbone, un gaz toxique invisible et inodore. Ce gaz toxique, s'il est respiré en concentrations suffisantes, peut entraîner une perte de conscience ou même la mort.
- ⚠ Un débit approprié, non obstrué d'air de refroidissement et de ventilation est important pour corriger le fonctionnement du générateur. Ne pas modifier l'installation ou ne pas laisser même un blocage partiel de l'alimentation de ventilation, étant donné que cela peut sérieusement affecter le fonctionnement sûr du générateur. Il FAUT faire fonctionner le générateur à l'extérieur.
- ⚠ Ce système d'échappement doit être correctement entretenu. Ne rien faire qui pourrait rendre le système d'échappement dangereux ou non conforme aux codes locaux et/ou normes locales.
- ⚠ Toujours utiliser un détecteur d'oxyde de carbone à alimentation par batterie à l'intérieur, conformément aux instructions du fabricant.

⚠ DANGER	
L'utilisation d'une génératrice à l'intérieur PEUT VOUS TUER EN QUELQUES MINUTES.	
Les génératrices rejettent du monoxyde de carbone. Il s'agit d'un gaz toxique invisible et inodore.	
	
NE JAMAIS utiliser la génératrice à l'intérieur d'une résidence ou d'un garage MÊME SI les portes et les fenêtres sont ouvertes.	
	
Utiliser uniquement à L'EXTÉRIEUR et loin des fenêtres, portes et événements.	

2.4.1 MISE À LA TERRE DE LA GÉNÉRATRICE LORSQU'UTILISÉE COMME PORTABLE

Cette génératrice a une mise à la terre de l'équipement qui branche les composants de la structure de la génératrice aux bornes de terre dans les prises de sortie CA (voir NEC 250.34 (A) pour l'explication). Ceci permet à la génératrice d'être utilisée comme portable sans mettre à la terre le bâti de la génératrice tel qu'établie dans la norme NEC 250.34.

Exigences spéciales

Des réglementations, codes locaux ou ordonnances fédéraux ou au niveau de l'État en matière d'Occupational Safety and Health Administration (OSHA) (Gestion de la sécurité et la santé au travail) peuvent s'appliquer à l'utilisation prévue du générateur.

Veillez consulter un électricien qualifié, un inspecteur électrique ou une agence locale compétente :

- Dans certaines régions, il faut enregistrer les générateurs auprès des services publics locaux.
- Si le générateur est utilisé sur un chantier de construction, il faudra se conformer à d'autres réglementations.

2.4.2 BRANCHER LA GÉNÉRATRICE AU SYSTÈME ÉLECTRIQUE D'UN BÂTIMENT

Les branchements pour l'alimentation de secours au système électrique d'un bâtiment doivent être faits par un électricien qualifié et en tout conformité avec les codes et lois électriques locaux et nationaux. Le branchement doit isoler l'alimentation de la génératrice de l'alimentation utilitaire, ou d'autres sources d'alimentation alternatives.

REMARQUE :

Puisque la mise à la terre de l'équipement de la génératrice est attachée aux fils neutre CA dans la génératrice (voir Figure 8), un commutateur de transfert à 3 pôles ou un commutateur de transfert à 2 pôles avec un kit de commutation neutre est exigé pour brancher cette génératrice à une charge du bâtiment. Dans cette application, la génératrice devient un système dérivé séparé (voir NEC 250.20 (D)), et doit être mise à la terre selon les exigences du code électrique local et national.

Mise à la terre de la génératrice dans une application de secours d'un bâtiment

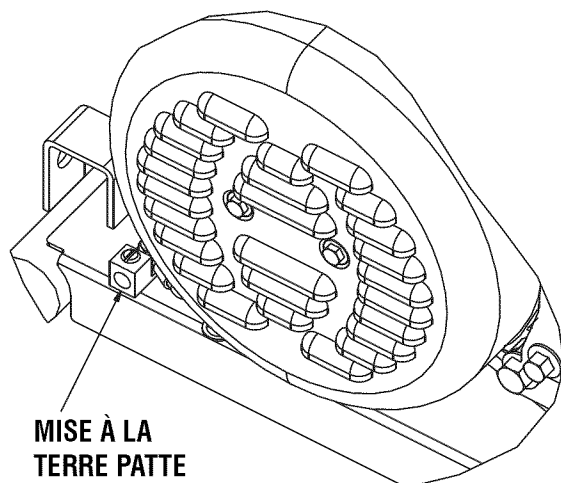
⚠ AVERTISSEMENT !

⚠ Le National Electrical Code (Code électrique national) exige que le bâti et que les pièces externes électriquement conductrices de ce générateur soient correctement reliées à une terre approuvée.

Les codes électriques locaux peuvent également exiger la bonne mise à la terre de l'unité (Schéma 10). À cette fin, brancher un fil toronné en cuivre de 10 AWG (calibre américain des fils) à la borne de mise à la terre et à une tige en cuivre conduite à la terre ou une tige à la terre (électrode) en laiton fournit une protection appropriée contre les électrocutions. Cependant, les codes locaux peuvent fortement varier. **Consulter un électricien local pour connaître les exigences de mise à la terre dans la région.**

La bonne mise à la terre du générateur aidera à empêcher une électrocution en cas de condition de défaut de mise à la terre dans le générateur ou dans les dispositifs électriques branchés. La bonne mise à la terre aide également à dissiper l'électricité statique, qui s'accumule souvent dans les dispositifs non mis à la terre.

Schéma 10 - Mise à la terre du générateur



2.5 NE PAS SURCHARGER LA GÉNÉRATRICE

Surcharger un générateur au-dessus de sa capacité nominale de wattage peut endommager le générateur et les dispositifs électriques branchés. Respecter les consignes suivantes pour empêcher la surcharge de l'unité :

- Calculer le wattage total de tous les dispositifs électriques à brancher en même temps. Ce total ne doit PAS dépasser la capacité de wattage du générateur.
- Le wattage nominal des lumières peut être indiqué sur les ampoules. Le wattage nominal des outils, des appareils et des moteurs se trouve généralement sur une étiquette ou un autocollant apposé(e) sur le dispositif.
- Si l'appareil, l'outil ou le moteur n'indique pas le wattage, multiplier la valeur nominale des volts fois la valeur nominale des ampères afin de déterminer les watts (volts x ampères = watts).
- Certains moteurs électriques, tels que ceux à induction, nécessitent environ trois fois plus de watts d'alimentation pour le démarrage que pour le fonctionnement. Cette surtension d'alimentation dure seulement quelques secondes lors du démarrage des moteurs en question. S'assurer de laisser un wattage de démarrage élevé lors du choix des dispositifs électriques pour brancher le générateur :

1. Calculer les watts nécessaires pour démarrer le moteur le plus grand.
2. Ajouter à ce chiffre les watts de fonctionnement de toutes les autres charges branchées.

Le Guide de référence de wattage sert à déterminer combien d'éléments le générateur peut faire fonctionner en même temps.

REMARQUE :

Tous les chiffres sont arrondis. Voir les étiquettes sur l'unité pour connaître les exigences de wattage.

2.6 GUIDE DE RÉFÉRENCE DE WATTAGE

Dispositif	Watts de fonctionnement
*Climatiseur (12 000 Btu)	1 700
*Climatiseur (24 000 Btu)	3 800
*Climatiseur (40 000 Btu)	6 000
Chargeur de batterie (20 A)	500
Ponceuse à bande (3 po.)	1 000
Scie à chaîne	1 200
Scie circulaire (6,5 po.)	800 à 1 000
*Sèche-linge (électrique)	5 750
*Sèche-linge (à gaz)	700
*Machine à laver	1 150
Cafetière	1 750
*Compresseur (1 HP)	2 000
*Compresseur (0,75 HP)	1 800
*Compresseur (0,5 HP)	1 400
Fer à friser	700
*Déshumidificateur	650
Ponceuse à disque (9 po.)	1 200
Coupe-bordures	500
Couverture chauffante électrique	400
Cloueuse électrique	1 200
Cuisinière électrique (par élément)	1 500
Poêle électrique	1 250
*Freezer	700
*Ventilateur de chaudière (0,6 HP)	875
*Ouvre-porte de garage	500 à 750
Sèche-cheveux	1 200
Perceuse à main	250 à 1 100
Taille-haie	450

Fonctionnement

Clé à chocs	500
Fer	1 200
*Pompe à jet	800
Tondeuse à gazon	1 200
Ampoule	100
Four à micro-ondes	700 à 1 000
*Réfrigérateur de lait	1 100
Brûleur à mazout de chaudière	300
Radiateur à mazout (140 000 Btu)	400
Radiateur à mazout (85 000 Btu)	225
Radiateur à mazout (30 000 Btu)	150
*Pistolet à peinture, sans air (0,3 HP)	600
Pistolet à peinture, sans air (portable)	150
Radio	50 à 200
*Réfrigérateur	700
Cocotte mijoteuse	200
*Pompe immergée (1,5 HP)	2 800
*Pompe immergée (1 HP)	2 000
*Pompe immergée (0,5 HP)	1 500
*Pompe de vidange	800 à 1 050
*Scie circulaire à table (10 po.)	1 750 à 2 000
Télévision	200 à 500
Grille-pain	1 000 à 1 650
Coupe-mauvaises herbes	500
* Laisser 3 fois les watts indiqués pour le démarrage de ces dispositifs.	

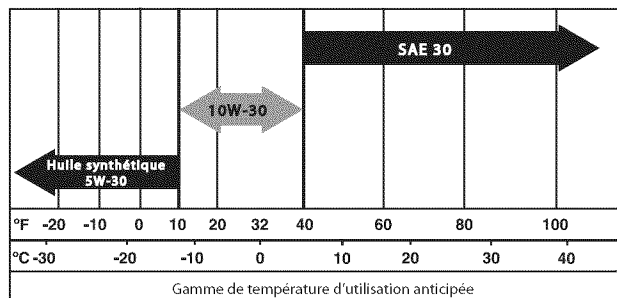
2.7 AVANT DE DÉMARRER LA GÉNÉRATRICE

Avant de faire fonctionner le générateur, de l'huile de moteur et de l'essence devront être ajoutés, de la façon suivante :

2.7.1 AJOUTER L'HUILE À MOTEUR

Toute huile doit respecter la catégorie de service minimale SJ, SL ou mieux de l'American Petroleum Institute (API) (Institut américain du pétrole). N'utiliser aucun additif spécial. Sélectionner le degré de viscosité d'huile selon la température d'exploitation (se reporter également au tableau).

- Au-dessus de 40 °F, utiliser le SAE 30
- En dessous de 40 °F et jusqu'à 10 °F, utiliser le 10W-30
- En dessous de 10 °F, utiliser le 5W-30 synthétique



⚠ ATTENTION !

- ⚠ Toute tentative de faire tourner ou de démarrer le moteur avant qu'il ait été correctement entretenu avec l'huile recommandée peut entraîner une panne du moteur.

1. Installer le générateur sur une surface de niveau (ne pas dépasser 15 ° dans aucune direction).
2. Nettoyer l'espace autour de l'orifice de remplissage d'huile et retirer le bouchon.
3. Remplir lentement le moteur avec de l'huile jusqu'à ce que la jauge d'huile lise plein. Interrompre régulièrement le remplissage pour vérifier le niveau d'huile.
4. Installer la jauge d'huile et la serrer fermement au doigt.
5. Vérifier le niveau d'huile de moteur avant le démarrage à chaque fois par la suite.

2.7.2 AJOUTER DE L'ESSENCE

⚠ DANGER !

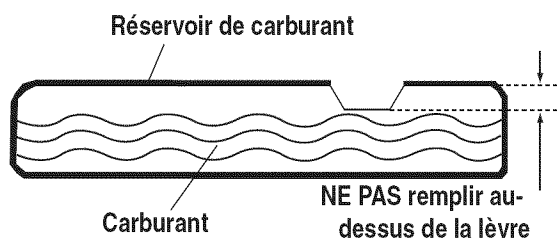
⚠ **NE JAMAIS** remplir le réservoir d'essence à l'intérieur. Éviter de renverser de l'essence sur un moteur chaud. Laisser le moteur complètement refroidir avant d'ajouter du carburant. **NE JAMAIS** remplir le réservoir d'essence lorsque le moteur fonctionne ou est chaud. **NE PAS** allumer une cigarette ni fumer lors du remplissage du réservoir d'essence. L'essence est extrêmement **INFLAMMABLE** et ses vapeurs sont **EXPLOSIVES**.

⚠ **Ne pas trop remplir** le réservoir d'essence. Toujours laisser de la place pour l'expansion du carburant. En cas de suremplissage du réservoir, le carburant peut déborder sur un moteur chaud et entraîner un incendie ou une explosion. Nettoyer immédiatement toute éclaboussure de carburant.

1. Utiliser de l'essence SANS PLOMB régulière avec le moteur du générateur. Ne pas utiliser de supercarburant. Ne pas mélanger l'huile avec l'essence.
2. Nettoyer l'espace autour du bouchon de l'orifice de remplissage d'essence, retirer le bouchon.
3. Ajouter lentement de l'essence régulière sans plomb dans le réservoir d'essence. Remplir jusqu'au fond du filtre à tamis. **Faire attention de ne pas trop remplir** (Schéma 11).
4. Mettre le bouchon du réservoir d'essence et nettoyer toute éclaboussure d'essence.

IMPORTANT : Il est important d'empêcher la formation de dépôts de gomme dans les pièces du circuit de carburant, telles que le carburateur, le tuyau pour combustible ou le réservoir pendant le stockage. L'expérience montre également que les carburants à base d'alcool (appelés gazohol, éthanol ou méthanol) peuvent absorber l'humidité, ce qui entraîne une séparation et la formation d'acides pendant le stockage. Un gaz acide peut endommager le circuit de carburant d'un moteur pendant le stockage de celui-ci. Afin d'éviter tout problème avec le moteur, le circuit de carburant doit être vidé avant le stockage du moteur si celui-ci est d'au moins 30 jours. Voir la section « Stockage ». Ne jamais utiliser de produit nettoyant pour moteur ou carburateur dans le réservoir d'essence étant donné que cela pourrait causer des dommages permanents.

Schéma 11 - Réservoir d'essence



2.8 DÉMARRER LES MOTEURS À DÉMARRAGE MANUEL

⚠ AVERTISSEMENT !

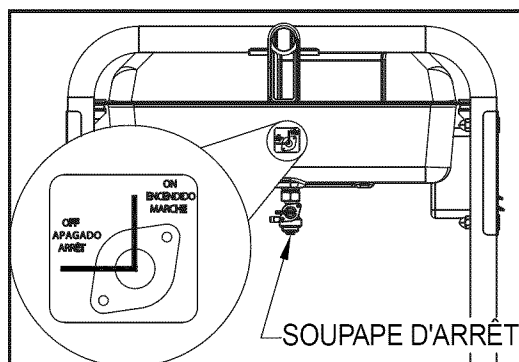
⚠ Ne jamais démarrer ou arrêter le moteur avec les dispositifs électriques branchés dans les prises ET les dispositifs sous tension.

1. Débrancher toutes les charges électriques des prises de l'unité avant de démarrer le moteur.
2. S'assurer que l'unité est dans une position de niveau (ne pas dépasser 15 ° dans aucune direction).
3. OUVRIR la soupape d'arrêt (Schéma 12).
4. Mettre l'interrupteur RUN/STOP (Marche/Arrêt) du moteur sur la position ON (Marche) (Schéma 13).
5. Faire glisser l'étrangleur du moteur de la position LEFT (Gauche) vers la position FULL CHOKE (Étrangleur plein) (Schéma 14).
6. Pour démarrer le moteur, attraper fermement la poignée de rappel et tirer jusqu'à ce qu'une résistance se fasse sentir. Remonter rapidement et démarrer.
7. Lorsque le moteur démarre, mettre le bouton Choke (Étrangleur) sur la position 1/2 CHOKE (Étrangleur à moitié) jusqu'à ce que le moteur fonctionne doucement et ensuite sur la position RUN (Marche). Si le moteur vibre, remettre le levier Choke (Étrangleur) sur la position 1/2 CHOKE (Étrangleur à moitié) jusqu'à ce que le moteur fonctionne doucement et ensuite sur la position RUN (Marche).

REMARQUE :

Si le moteur chauffe, mais ne continue pas à fonctionner, mettre le levier de l'étrangleur sur FULL CHOKE (Étrangleur plein) et répéter les instructions de démarrage.

Schéma 12 - Soupape d'arrêt



IMPORTANT : Ne pas surcharger le générateur. Aussi, ne pas surcharger les prises individuelles du panneau. Ces prises sont protégées contre la surcharge avec des disjoncteurs de type « pousser pour réenclencher ». Si la valeur nominale d'ampérage d'un disjoncteur est dépassée, ce disjoncteur s'ouvre et la puissance électrique de cette prise est perdue. Lire attentivement la section « Ne pas surcharger le générateur ».

Figure 13 - Interrupteur ON/OFF du moteur

**INTERRUPTEUR ON/OFF DU MOTEUR
(MOTEURS À DÉMARRAGE MANUEL UNIQUEMENT)**

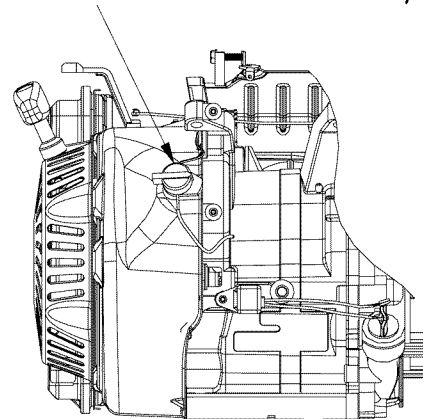
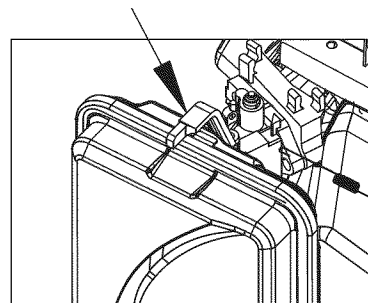


Schéma 14 - Position de l'étrangleur

**LEVIER D'ÉTRANGLEUR
GAUCHE = ÉTRANGLEUR (COMMENCER)
DROITE = MARCHÉ**



2.9 DÉMARRER LES MOTEUR À DÉMARRAGE ÉLECTRIQUE

⚠ AVERTISSEMENT !

⚠ Ne jamais démarrer ou arrêter le moteur avec les dispositifs électriques branchés dans les prises ET les dispositifs sous tension.

1. Débrancher toutes les charges électriques des prises de l'unité avant de démarrer le moteur.
2. S'assurer que l'unité est dans une position de niveau (ne pas dépasser 15 ° dans aucune direction).
3. Ouvrir la soupape d'arrêt (Schéma 12).
4. Mettre le bouton CHOKE (Étrangleur) du moteur à l'extérieur sur la position « Full Choke » (Étrangleur plein) (Schéma 14).
5. Pour démarrer le moteur, appuyer et maintenir enfoncé l'interrupteur Start/Run/Stop (Démarrage/Marche/Arrêt) sur la position « Start » (Démarrage). Le moteur tournera et commencera à démarrer. Lorsque le moteur démarre, relâcher l'interrupteur sur la position Run (Marche).

6. Lorsque le moteur démarre, mettre le bouton Choke (Étrangleur) sur la position « 1/2 Choke » (Étrangleur à moitié) jusqu'à ce que le moteur fonctionne doucement et ensuite sur la position « Run » (Marche). Si le moteur vibre, remettre le bouton Choke (Étrangleur) sur la position « 1/2 Choke » (Étrangleur à moitié) jusqu'à ce que le moteur fonctionne doucement et ensuite sur la position « Run » (Marche).

2.9.1 DÉMARRAGE MANUEL

Ce générateur est également équipé d'un lanceur à rappel manuel qui peut être utilisé en cas de déchargement de la batterie.

REMARQUE :

L'interrupteur doit être à la position RUN (Marche). Utiliser un des tableaux des prises avec le chargeur de batterie pour charger la batterie lorsque la génératrice est en fonctionnement.

- Pour démarrer manuellement, attraper fermement la poignée de rappel et tirer jusqu'à ce qu'une résistance se fasse sentir. Remonter rapidement et démarrer le moteur. Puis, suivre la même séquence de l'étrangleur.

REMARQUE :

Si le moteur chauffe, mais ne continue pas à fonctionner, mettre le levier de l'étrangleur sur FULL CHOKE (Étrangleur plein) et répéter les instructions de démarrage.

IMPORTANT : Ne pas surcharger le générateur. Aussi, ne pas surcharger les prises individuelles du panneau. Ces prises sont protégées contre la surcharge avec des disjoncteurs de type « pousser pour réenclencher ». Si la valeur nominale d'ampérage d'un disjoncteur est dépassée, ce disjoncteur s'ouvre et la puissance électrique de cette prise est perdue. Lire attentivement la section « Ne pas surcharger le générateur ».

2.10 ARRÊTER LE MOTEUR

1. Arrêter toutes les charges, puis débrancher les charges électriques des prises du panneau du générateur. Ne jamais démarrer ou arrêter le moteur avec les dispositifs électriques branchés et sous tension.
2. Laisser le moteur fonctionner à circuit ouvert pendant plusieurs minutes pour stabiliser les températures internes du moteur et du générateur.
3. Mettre l'interrupteur Run/Stop (Marche/Arrêt) sur la position OFF (Arrêt).
4. Fermer la vanne de combustible.

2.11 SYSTÈME D'ARRÊT DE NIVEAU BAS D'HUILE


Le moteur est équipé d'un détecteur de bas niveau d'huile qui arrête le moteur automatiquement lorsque le niveau d'huile chute en dessous d'un niveau spécifique. Si le moteur s'arrête tout seul et que le réservoir d'essence a assez d'essence, vérifier le niveau d'huile du moteur.

2.11.1 DÉTECTION DU BAS NIVEAU D'HUILE


Si le système détecte un niveau d'huile bas pendant le fonctionnement, le moteur s'arrête. Le moteur ne fonctionnera pas tant que de l'huile n'aura pas été rajoutée pour atteindre le bon niveau.

2.12 CHARGER LA BATTERIE (APPAREILS À DÉMARRAGE ÉLECTRIQUE SEULEMENT)

⚠ DANGER !

-  Les batteries rechargeables émettent un gaz hydrogène explosif lors du rechargement. Un mélange explosif restera autour de la batterie longtemps après son chargement. La plus petite étincelle peut enflammer l'hydrogène et causer une explosion. Cette explosion peut faire voler en éclats la batterie et causer la cécité ou d'autres blessures graves.

⚠ DANGER !

-  Ne pas produire de fumée, flammes nues, étincelles ou autre source de chaleur à proximité de la batterie. Porter des lunettes de protection, un tablier en caoutchouc et des gants en caoutchouc lors du travail autour de la batterie. Le fluide d'électrolyte de la batterie est une solution d'acide sulfurique extrêmement corrosive qui peut causer des brûlures graves. En cas d'éclaboussure, rincer immédiatement la zone à l'eau claire.

REMARQUE :

La batterie envoyée avec le générateur a été complètement chargée. Une batterie peut perdre une partie de sa charge lorsqu'elle n'est pas utilisée pendant des périodes prolongées. S'il est impossible de démarrer le moteur à l'aide de la batterie, brancher le chargeur de 12 V inclus dans la boîte d'accessoires. FAIRE FONCTIONNER LE GÉNÉRATEUR NE CHARGE PAS LA BATTERIE.

Utiliser la prise du chargeur de batterie afin de garder la batterie chargée et prête à l'emploi. Le chargement de la batterie doit être effectué dans un endroit sec.

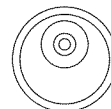
1. Brancher le chargeur dans la prise jack « Entrée du chargeur de batterie », située sur le panneau de commande. Brancher l'extrémité de la prise de courant murale du chargeur de batterie dans une prise murale c.a. de 120 volts (Schéma 15).
2. Débrancher le chargeur de batterie de la prise murale et de la prise jack du panneau de commande lorsque le générateur va être utilisé.

REMARQUE :

Ne pas utiliser le chargeur de batterie pendant plus de 48 heures consécutives.

Schéma 15 - Prise jack du chargeur de la batterie

BATTERIE



Entrée du chargeur

3.1 EFFECTUER LE PROGRAMME D'ENTRETIEN

Il est important d'effectuer l'entretien comme indiqué dans le Programme d'entretien pour le fonctionnement approprié de la génératrice, et afin d'assurer que la génératrice est conforme aux normes d'émission applicables pour la durée de sa vie utile. L'entretien et les réparations peuvent être effectués par une personne compétente ou un atelier de réparation. En outre, l'entretien critique des émissions doit être effectué comme prévu pour que la Garantie d'émissions soit valide. L'entretien critique des émissions inclut l'entretien du filtre à air et les bougies d'allumage conformément au Programme d'entretien.

3.2 PROGRAMME D'ENTRETIEN

Suivre les intervalles du calendrier. Un entretien plus fréquent est nécessaire lors du fonctionnement dans les conditions défavorables indiquées ci-dessous.

Vérifier le niveau d'huile	Lors de chaque utilisation
Changer l'huile ‡	* Toutes les 100 heures ou à chaque saison
Vérifier le jeu des soupapes	*** À chaque saison
Entretien du filtre à air	** Toutes les 200 heures ou à chaque saison
Remplacer la bougie d'allumage	À chaque saison

‡ Changer l'huile après les 30 premières heures de fonctionnement puis à chaque saison.

* Changer l'huile et le filtre à huile tous les mois lors du fonctionnement sous une charge lourde ou à des températures élevées.

** Nettoyer plus souvent dans des conditions de fonctionnement sales. Remplacer les pièces du filtre à air s'il est impossible de les nettoyer correctement.

*** Vérifier le jeu des soupapes et régler si nécessaire après les 50 premières heures de fonctionnement et toutes les 100 heures par la suite.

3.3 SPÉCIFICATIONS DU PRODUIT

3.3.1 SPÉCIFICATIONS DE LA GÉNÉRATRICE

Puissance nominale	5/ 5,5/ 6,5 kW**
Puissance de surtension	6,25/ 6,88/ 8 kW
Tension c.a. nominale	120/240
Charge c.a. nominale.	
Courant à 240 V (5/ 5,5/ 6,5 kW)	20,8/ 22,9/ 27,1 A**
Courant à 120 V (5/ 5,5/ 6,5 kW)	41,6/ 45,8/ 54,2 A**
Fréquence nominale	60 Hz à 3 600 RPM
Phase	Monophasée

** Le wattage et le courant maximum sont soumis à, et limités par, ces facteurs tels que le contenu en Btu de carburant, la température ambiante, l'altitude, l'état du moteur, etc. La puissance maximale diminue d'environ 3,5 % pour chaque tranche de 1 000 pieds au-dessus du niveau de la mer ; et diminuera également d'environ 1 % pour chaque tranche de 6 °C (10 °F) au-dessus de 16 °C (60 °F) de température ambiante.

3.3.2 SPÉCIFICATIONS DU MOTEUR

Déplacement	389 cc
Type de bougie d'allumage	NHSP LDF7TC ou Champion N9YC
N° de pièce de bougie d'allumage	0G84420101
Écartement de bougie d'allumage	0,028 - 0,031 pouces ou (0,70 - 0,80 mm)
Capacité d'essence	7,2 gallons U.S.
Type d'huile	Voir tableau dans la section « Avant le démarrage du générateur »
Capacité d'huile	1 L (1,06 Qts.)
Temps d'exécution à une charge de 50 % (5/ 5,5/ 6,5 kW)	10 heures

3.3.3 INFORMATION À PROPOS DES ÉMISSIONS

L'Agence de protection de l'environnement (EPA) (et la California Air Resource Board pour les génératrices conformes aux normes CA) exige(nt) que votre génératrice soit conforme aux normes d'émission d'échappement. Localiser l'étiquette de conformité aux normes d'émission sur le moteur pour déterminer les normes auxquelles la génératrice est conforme. Cette génératrice est certifiée pour opérer à l'essence. Le système de contrôle d'émission comprend les composants suivants (le cas échéant) :

- Système d'admission d'air
 - Collecteur/Tuyau d'admission
 - Filtre à air
- Système d'alimentation en carburant
 - Carburateur
 - Capuchon/Réservoir de carburant
 - Canalisations de carburant
 - Canalisations de tuyaux d'évacuation
 - Réservoir à charbon actif
- Système d'allumage
 - Bougie d'allumage
 - Module d'allumage
- Système d'échappement
 - Collecteur d'échappement
 - Pot d'échappement
 - Soupape à impulsion d'air
 - Catalyseur

3.4 RECOMMANDATIONS GÉNÉRALES

La garantie du générateur ne couvre pas les éléments qui ont été soumis à un abus ou une négligence de l'opérateur. Afin de recevoir le montant total de la garantie, l'opérateur doit entretenir le générateur de la façon indiquée dans ce manuel.

Certains réglages doivent être effectués régulièrement pour entretenir correctement le générateur.

Tous les réglages de la section Maintenance de ce manuel doivent être effectués au moins une fois par saison. Respecter les exigences dans le tableau de « Programme de maintenance ».

REMARQUE :

Une fois par an, remplacer la bougie d'allumage et le filtre à air. Une nouvelle bougie d'allumage et un filtre à air propre garantissent un bon mélange carburé et aide le moteur à mieux fonctionner et à durer plus longtemps.

3.4.1 ENTRETIEN DE LA GÉNÉRATRICE

La maintenance du générateur consiste à garder l'unité propre et sèche. Faire fonctionner et stocker l'unité dans un environnement sec et propre où il ne sera pas exposé à trop de poussières, de saletés, d'humidité ou de vapeurs corrosives. Les fentes de refroidissement du générateur ne doivent pas être obstruées par la neige, les feuilles ou tout autre corps étranger.

Vérifier régulièrement que le générateur est propre et nettoyer la poussière, les saletés, l'huile, l'eau ou les autres corps étrangers qui sont visibles sur sa surface extérieure.

▲ ATTENTION !

! Ne jamais insérer d'objet ou d'outil dans les fentes de refroidissement, même si le moteur ne fonctionne pas.

REMARQUE :

NE PAS utiliser un tuyau d'arrosage pour nettoyer le générateur. L'eau peut entrer dans le système de carburant du moteur et causer des problèmes. En outre, si l'eau entre dans le générateur par les fentes de refroidissement, de l'eau restera dans les vides et les crevasses du bobinage d'isolement du rotor et du stator. L'accumulation d'eau et de saletés sur les bobinages internes du générateur diminuera potentiellement la résistance d'isolement de ces bobinages.

3.4.2 NETTOYER LA GÉNÉRATRICE

- Utiliser un chiffon humide pour le nettoyage des surfaces externes.
- Il est possible d'utiliser une brosse douce en poils pour décoller les agglutinements de saletés, d'huile, etc.
- Un aspirateur pourra être utilisé pour récupérer les saletés et les débris.
- Un air projeté avec une faible pression (inférieure à 25 livres par pouce carré) pourra être utilisé pour souffler la saleté. Inspecter les fentes de refroidissement et les orifices du générateur. Ces orifices doivent être propres et non obstrués.

3.4.3 ENTRETIEN DU MOTEUR

⚠ DANGER !

- ⚠ Toujours débrancher le câble négatif de la batterie en cas de travail sur le générateur. Toujours débrancher les fils de bougie des bougies d'allumage et les tenir éloignés de celles-ci.

3.4.4 VÉRIFIER LE NIVEAU D'HUILE

Se reporter à la section « Avant le démarrage du générateur » pour plus d'informations sur la vérification du niveau d'huile. Le niveau d'huile doit être vérifié avant chaque utilisation, ou au minimum toutes les huit heures de fonctionnement. Il est nécessaire de conserver un certain niveau d'huile.

3.4.5 CHANGEMENT DE L'HUILE

Changer l'huile après les 30 premières heures de fonctionnement. Changer l'huile toutes les 100 heures ou à chaque saison par la suite. Changer l'huile plus souvent en cas d'utilisation de cette unité dans un environnement sale ou poussiéreux, ou dans des températures très élevées.

⚠ ATTENTION !

- ⚠ De l'huile chaude peut entraîner des brûlures. Laisser le moteur refroidir avant de vidanger l'huile. Éviter un contact prolongé ou répété de la peau avec de l'huile usagée. Laver minutieusement les zones exposées avec du savon.

Respecter les instructions suivantes pour changer l'huile après que le moteur ait refroidi :

1. Nettoyer la zone autour du tuyau de vidange d'huile.
2. Retirer le bouchon de vidange d'huile du moteur et le bouchon pour le remplissage d'huile afin de vidanger toute l'huile dans un récipient adapté.
3. Lorsque l'huile est totalement vidangée, revisser le bouchon de vidange d'huile et le resserrer solidement.
4. Remplir le carter d'huile avec l'huile recommandée (voir la section « Avant le démarrage du générateur » pour les recommandations sur l'huile à utiliser).
5. Nettoyer toute trace d'huile renversée.
6. Éliminer l'huile usagée dans un centre de collecte approprié.

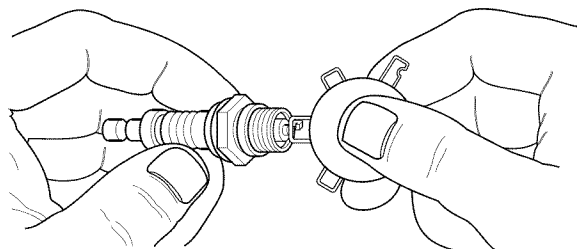
3.4.6 REMPLACER LA BOUGIE D'ALLUMAGE

Voir Caractéristiques techniques du moteur pour la bougie d'allumage recommandée. **Remplacer les bougies une fois par an.** Cela permettra un démarrage plus facile et un meilleur fonctionnement du moteur.

1. Arrêter le moteur et débrancher le fil de bougie de la bougie d'allumage.

2. Nettoyer la zone autour de la bougie d'allumage et la retirer de la culasse.
3. Régler l'écartement de bougie d'allumage à 0,70 - 0,80 mm (0,028 - 0,031 po.). Installer la bougie d'allumage correctement écartée dans la culasse (Schéma 16).

Schéma 16 - Écartement de la bougie d'allumage



3.4.7 REMPLACEMENT DE LA BATTERIE (SI APPLICABLE)

REMARQUE :

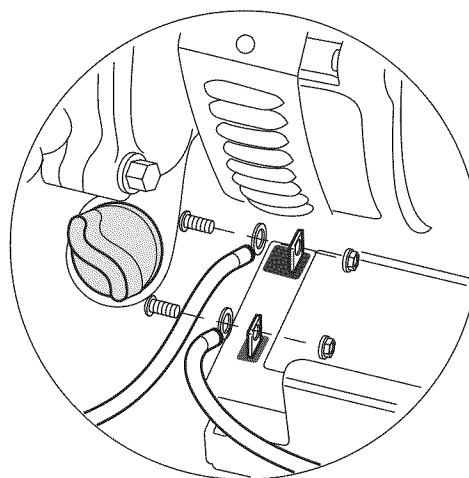
La batterie envoyée avec le générateur a été complètement chargée. Une batterie peut perdre une partie de sa charge lorsqu'elle n'est pas utilisée pendant des périodes prolongées. S'il est impossible de démarrer le moteur à l'aide de la batterie, brancher le chargeur de 12 V inclus dans la boîte d'accessoires (voir la section « Chargement de la batterie »). FAIRE FONCTIONNER LE GÉNÉRATEUR NE CHARGE PAS LA BATTERIE. Le numéro de pièce pour cette batterie est 0G9449.

⚠ ATTENTION !

- ⚠ La borne NÉGATIVE de la batterie doit :

1. Toujours être DÉBRANCHÉE EN PREMIER.
2. Toujours être BRANCHÉE EN DERNIER.

Schéma 17 - Branchements de la batterie



- ⚠ La borne NÉGATIVE de la batterie doit :

1. toujours être DÉBRANCHÉE EN PREMIER.
2. toujours être BRANCHÉE EN DERNIER.

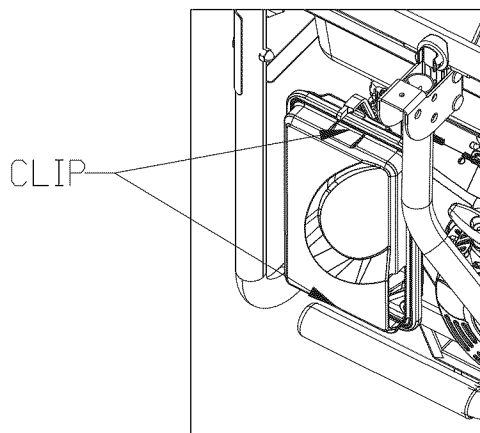
3.5 ENTRETIEN DU FILTRE À AIR

Le moteur ne fonctionnera pas correctement et pourra être endommagé en cas d'utilisation d'un filtre à air sale. Nettoyer ou remplacer le papier du filtre à air une fois par an. Il sera nécessaire de le nettoyer ou de le remplacer plus souvent en cas de fonctionnement dans des conditions de saleté (Schéma 18). Le numéro de pièce pour ce filtre à air est 0G84420151.

Pour nettoyer ou remplacer le papier du filtre à air :

1. Retirer le couvercle du filtre à air et retirer le filtre en papier.
2. Nettoyer le filtre en papier en le tapant légèrement sur une surface solide. Si le filtre est trop sale, il est nécessaire de le remplacer. Jeter l'ancien filtre de manière adaptée.
3. Nettoyer le couvercle du filtre à air, puis insérer le nouveau filtre en papier dans la base du filtre à air. Remettre le couvercle du filtre à air en place.

Schéma 18 - Filtre à air



3.5.1 ENTRETIEN DE L'ÉCRAN PARE-ÉTINCELLES (MODÈLES CARB)

Le silencieux du pot d'échappement du moteur est équipé d'un écran pare-étincelles. Inspecter et nettoyer l'écran au minimum une fois par an (Schéma 19). Si l'unité fonctionne régulièrement, inspecter et nettoyer l'écran plus souvent.

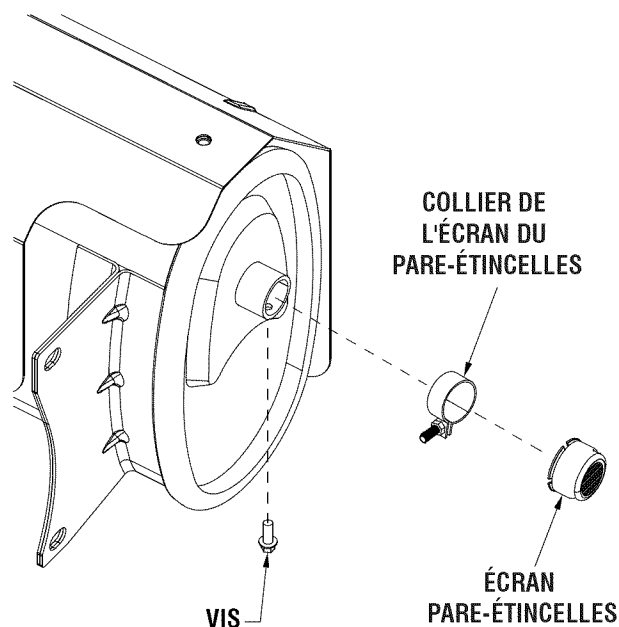
⚠ DANGER!

⚠ Si le générateur est utilisé sur un terrain brut couvert d'arbres, de buissons ou d'herbe, il devra être équipé d'un pare-étincelles. Le propriétaire / l'opérateur du générateur devra garder le pare-étincelles en bon état.

Nettoyer et inspecter le pare-étincelles lorsque le moteur est à température ambiante de la manière suivante :

1. Enlever l'écran pare-étincelles du pot d'échappement en desserrant la bride et en enlevant la vis.
2. Inspecter l'écran et le remplacer s'il est tordu, perforé ou endommagé d'une quelconque autre façon. NE PAS UTILISER un écran défectueux. Si l'écran n'est pas endommagé, le nettoyer avec un solvant du commerce.
3. Remplacer le pare-étincelles et serrer avec la bride et la vis.

Schéma 19 – Écran pare-étincelles



REMARQUE :

Pour commander un nouveau filtre à air ou écran pare-étincelles, veuillez contacter le centre de service autorisé le plus près au 1-800-333-1322.

3.6 JEU DES SOUPAPES

- Admission — $0,15 \pm 0,02$ mm (froid), ($0,006 \pm 0,0008$ pouces)
- Échappement — $0,20 \pm 0,02$ mm (froid), ($0,008 \pm 0,0008$ pouces)

Vérifier le jeu des soupapes dans le moteur après les 50 premières heures de fonctionnement et l'ajuster si cela est nécessaire.

IMPORTANT : En cas de doute quant à la réalisation de cette procédure, ou d'absence des outils adaptés, merci de faire régler le jeu des soupapes du générateur dans le centre de réparation le plus proche. Il s'agit d'une étape très importante pour garantir la meilleure durée de vie du moteur.

3.7 GÉNÉRALITÉS

La génératrice doit être démarrée au moins une fois par mois et doit fonctionner pendant au moins 30 minutes. Si cela est impossible et que l'unité n'est pas utilisée pendant plus de 30 jours, utiliser les informations suivantes en tant que guide pour préparer son entreposage.

⚠ DANGER!

⚠ NE JAMAIS ranger le moteur avec un réservoir rempli d'essence à l'intérieur ou dans des zones fermées et faiblement aérées où des fumées peuvent atteindre une flamme nue, des étincelles ou une veilleuse telle qu'il y en a sur une chaudière, un chauffe-eau, un sèche-linge ou d'autres appareils fonctionnant au gaz.

⚠ Laisser l'unité complètement refroidir avant le stockage.

3.8 ENTREPOSAGE À LONG TERME

Pendant le stockage, il est important d'empêcher la formation de dépôts de gomme dans les pièces essentielles du circuit de carburant, telles que le carburateur, le tuyau pour combustible ou le réservoir. L'expérience montre également que les carburants à base d'alcool (appelés gazohol, éthanol ou méthanol) peuvent absorber l'humidité, ce qui entraîne une séparation et la formation d'acides pendant le stockage. Un gaz acide peut endommager le circuit de carburant d'un moteur pendant le stockage de celui-ci.

Afin d'éviter tout problème avec le moteur, le circuit de carburant doit être vidé avant le stockage du moteur si celui-ci est d'au moins 30 jours. Pour cela :

1. Ajouter un stabilisateur de carburant de qualité à l'essence selon les spécifications des fabricants, et faire fonctionner la machine de 10 à 15 minutes.
2. Après que le moteur est refroidi, enlever toute le carburant du réservoir de carburant. Utilisez une commercialement disponibles, siphonage non-conducteur.

⚠ DANGER !

⚠ Vider l'essence dans des conteneurs adaptés situés à l'extérieur, loin de toute flamme nue. S'assurer que le moteur est froid. Ne pas fumer.

3. Démarrer et faire fonctionner le moteur jusqu'à ce qu'il s'arrête suite à une panne d'essence.
4. Après le refroidissement du moteur, vider l'huile du moteur. Remplir jusqu'au niveau recommandé.
5. Retirer la bougie d'allumage et verser environ 0,5 onces (15 ml) d'huile pour moteur dans le cylindre. Couvrir l'orifice de la bougie d'allumage avec un chiffon. Tirer plusieurs fois le lanceur à rappel pour lubrifier les segments de piston et l'alésage du cylindre. Un agent de fumigation peut également être utilisé à la place de l'huile.

⚠ ATTENTION !

⚠ Éviter d'asperger à partir des trous de la bougie d'allumage lorsque le moteur tourne.

6. Remettre et serrer la bougie d'allumage. Ne pas brancher le fil de bougie.
7. Nettoyer les surfaces externes du générateur. Vérifier que les fentes de refroidissement et les orifices du générateur sont ouverts et non obstrués.
8. Stocker l'unité dans un endroit propre et sec.

3.9 AUTRES CONSEILS D'ENTREPOSAGE

- Ne pas stocker l'essence d'une saison sur l'autre.
- Remplacer le bidon d'essence s'il commence à rouiller. De la rouille et / ou de la saleté dans l'essence entraîneront des problèmes dans le carburateur et le circuit de carburant.
- Si cela est possible, stocker l'unité à l'intérieur et la recouvrir afin de la protéger de la saleté et de la poussière. **S'ASSURER DE VIDER LE RÉSERVOIR D'ESSENCE.**
- S'il n'est pas possible de vider le réservoir d'essence et que l'unité est rangée pendant une longue période, ajouter un stabilisateur d'essence (disponible dans le commerce) à l'essence afin d'augmenter la durée de vie de l'essence. Faire fonctionner la machine pour 10 - 15 minutes, éteindre la vanne de combustible et faire fonctionner jusqu'à ce que le moteur s'arrête suite à une panne d'essence.
- Couvrir l'unité avec une protection adaptée ne retenant pas l'humidité.

⚠ DANGER !

⚠ NE JAMAIS couvrir le générateur alors que le moteur et la zone du pot d'échappement sont chauds.

4.1 GUIDE DE DÉPANNAGE

PROBLÈME	CAUSE	SOLUTION
Le moteur tourne, mais aucun courant alternatif n'est produit.	<ol style="list-style-type: none"> 1. Disjoncteur est ouvert. 2. Cordon mal branché ou défectueux. 3. Dispositif branché défectueux. 4. Erreur au niveau du générateur. 	<ol style="list-style-type: none"> 1. Réarmer le disjoncteur. 2. Vérifier et réparer. 3. Brancher un autre dispositif en bon état. 4. Contacter un centre d'entretien agréé.
Le moteur fonctionne bien mais connaît des défaillances lorsque des charges sont branchées.	<ol style="list-style-type: none"> 1. Court-circuit dans l'une des charges branchées. 2. Surcharge du générateur. 3. Vitesse du moteur trop faible. 4. Court-circuit du générateur. 	<ol style="list-style-type: none"> 1. Débrancher la charge électrique court-circuitée. 2. Voir la section « Ne pas surcharger le générateur ». 3. Contacter un centre d'entretien agréé. 4. Contacter un centre d'entretien agréé.
Le moteur ne démarre pas, ou démarre et connaît des défaillances.	<ol style="list-style-type: none"> 1. La soupape d'arrêt est sur OFF (Arrêt). 2. Filtre à air sale. 3. Panne d'essence. 4. Essence viciée. 5. Fil de bougie débranché de la bougie d'allumage. 6. Bougie d'allumage défectueuse. 7. Présence d'eau dans l'essence. 8. Sur-étranglement des gaz. 9. Niveau d'huile faible. 10. Mélange d'essence trop riche. 11. Soupape d'admission bloquée en position ouverte ou fermée. 12. Perte de compression du moteur. 	<ol style="list-style-type: none"> 1. Mettre la soupape d'arrêt sur ON (Marche). 2. Nettoyer ou remplacer le filtre à air. 3. Remplir le réservoir d'essence. 4. Vidanger le réservoir d'essence et le remplir avec de l'essence nouvelle. 5. Brancher le fil à la bougie d'allumage. 6. Remplacer la bougie d'allumage. 7. Vidanger le réservoir d'essence et le remplir avec de l'essence nouvelle. 8. Placer le levier d'étrangleur sur la position No Choke (Aucun étrangleur). 9. Remplir le carter jusqu'au niveau nécessaire. 10. Contacter un centre d'entretien agréé. 11. Contacter un centre d'entretien agréé. 12. Contacter un centre d'entretien agréé.
Le moteur s'arrête pendant le fonctionnement.	<ol style="list-style-type: none"> 1. Panne d'essence. 2. Niveau d'huile faible. 3. Erreur au niveau du moteur. 	<ol style="list-style-type: none"> 1. Remplir le réservoir d'essence. 2. Remplir le carter jusqu'au niveau nécessaire. 3. Contacter un centre d'entretien agréé.
Moteur pas assez puissant.	<ol style="list-style-type: none"> 1. Charge trop élevée. 2. Filtre à air sale. 3. Réparation nécessaire du moteur. 	<ol style="list-style-type: none"> 1. Diminuer la charge (voir la section « Ne pas surcharger le générateur »). 2. Nettoyer ou remplacer le filtre à air. 3. Contacter un centre d'entretien agréé.
À-coups ou déclin du moteur.	<ol style="list-style-type: none"> 1. Étrangleur ouvert trop tôt. 2. Mélange trop riche ou trop pauvre dans le carburateur. 	<ol style="list-style-type: none"> 1. Placer le levier d'étrangleur à mi-chemin jusqu'à ce que le moteur fonctionne correctement. 2. Contacter un centre d'entretien agréé.

ÉNONCÉ DE LA GARANTIE EPA AMÉRICAINE DU CONTRÔLE DES ÉMISSIONS VOS DROITS ET OBLIGATIONS DE GARANTIE

L'Agence pour la Protection de l'Environnement américaine (ci-après dénommée EPA) et la société Generac Power Systems, Inc. (ci-après dénommée Generac) sont heureux de vous expliquer ce qu'est la garantie de votre nouvel équipement 2011 et ultérieur. Le nouvel équipement utilise des petits moteurs à allumage commandé doivent être conçus, construits et équipés dans le respect des normes nationales rigoureuses en matière de pollution pour le gouvernement fédéral. Generac garantira le système de contrôle des émissions de votre appareil pour les périodes indiquées ci-après, en l'absence d'acte abusif, de négligence, de modification non approuvée ou de maintenance inadaptée de votre équipement. Le système de contrôle des émissions sur cet appareil comprend tous les composants dont la défaillance pourrait augmenter les émissions des polluants réglementés. Ces composants sont listés dans la section Informations sur les émissions de ce manuel.

COUVERTURE DE GARANTIE DU FABRICANT :

Cette garantie appareils SCE est valide pour deux ans, ou pour la même période comme indiqué dans la garantie limitée de Generac, selon la plus longue. Pour les appareils avec un compteur horaire, la période de la garantie est un nombre d'heures égal à la moitié de la durée de vie utile certifiée de l'appareil, ou la période de garantie spécifiée ci-dessus en années, selon la possibilité inférieure. La durée de vie utile peut être trouvée sur l'étiquette de contrôle des émissions sur le moteur. Si un composant ou système de votre équipement relatif aux émissions comporte une pièce défectueuse ou présente un défaut de fabrication pendant la durée de la garantie, les réparations ou remplacements de pièces seront effectués par un dépositaire d'entretien de garantie agréé par Generac.

RESPONSABILITÉS DE GARANTIE DU PROPRIÉTAIRE :

En tant que propriétaire de l'appareil, vous êtes responsable de la réalisation de toute la maintenance nécessaire telle que listée dans le manuel d'entretien qui vous a été remis par l'usine. Aux fins de la garantie, Generac vous recommande de conserver tous les reçus relatifs à la maintenance effectuée sur votre génératrice, mais Generac ne peut pas refuser la garantie uniquement en raison de la non-présentation des reçus.

Vous devez cependant savoir que Generac pourra refuser tout et / ou partie de la couverture de la garantie ou de la responsabilité si votre appareil et / ou toute pièce de celle-ci ne fonctionne plus du fait d'un usage abusif, d'une négligence, d'une mauvaise maintenance ou de modifications non approuvées.

Vous êtes chargé de contacter un dépositaire de garantie agréé par Generac dès qu'un problème se présente. Les réparations effectuées dans le cadre de la garantie devront être faites dans une période raisonnable, inférieure à 30 jours.

Le service de garantie peut être organisé en contactant votre dépositaire ou un dépositaire de service de garantie agréé par Generac. Pour connaître le dépositaire de service de garantie agréé par Generac situé le plus près, appeler notre numéro ci-dessous, ou envoyer un courrier à emissions@generac.com.

1-800-333-1322

REMARQUE IMPORTANTE : Cet énoncé de garantie explique vos droits et obligations dans le cadre de la garantie du Système de Contrôle des Émissions qui vous est fournie par Generac conformément au droit de l'État fédéral. Consulter également les « Garanties limitées de Generac pour Generac Power Systems, Inc. » jointes au présent document sur un feuillet séparé, qui vous est également remis par Generac. Veuillez noter que la présente garantie ne s'applique pas aux dommages accessoires, importants ou indirects causés par des défaillances matérielles ou de fabrication, ou par tout retard de réparation ou de remplacement de la ou des pièce(s) défectueuses. La présente garantie remplace toutes les autres garanties, implicites ou explicites. En particulier, Generac n'émet aucune garantie de conformité ou d'usage pour un objectif particulier. Certains États et provinces ne permettent pas la limitation de la durée des garanties implicites. Toutes les garanties implicites qui sont autorisées par loi, seront limitées dans la durée selon les termes de la présente garantie. La limitation mentionnée ci-dessus pourrait donc ne pas s'appliquer à votre cas.

La garantie du SCE ne s'applique qu'au système de contrôle des émissions de votre nouvel équipement. Les garanties du SCE et de Generac décrivent les droits et obligations importantes relatives à votre nouvel équipement.

Le service de garantie ne peut être réalisé que par une entreprise de service agréée par Generac. En cas de demande du service de garantie, des preuves mentionnant la date de vente à l'acquéreur / au propriétaire d'origine doivent être présentées.

Pour toute question concernant vos droits et responsabilités de garantie, merci de contacter Generac à l'adresse suivante :

**ATTENTION WARRANTY DEPARTMENT
GENERAC POWER SYSTEMS, INC.
P.O. BOX (boîte postale) 297 • WHITEWATER, WI 53190**

GARANTIE DU SYSTÈME DE CONTRÔLE DES ÉMISSIONS

Garantie du Système de Contrôle des Émissions (garantie du SCE) pour l'équipement utilisant de petits moteurs à allumage commandé :

- (a) Applicabilité : la présente garantie s'applique à l'équipement qui utilise de petits moteurs hors route. La période de la garantie du SCE commencera à la date d'achat / de livraison du nouvel équipement à son acquéreur / propriétaire d'origine, final, et durera pour moins de :
- (1) La période de temps spécifiée dans la présente Garantie limitée de Generac, mais pas moins de 24 mois, ou
 - (2) Pour les moteurs équipés d'un compteur horaire, un certain nombre d'heures de fonctionnement égale à la moitié de la durée de vie utile du moteur. La durée de vie utile peut être indiquée sur l'étiquette de contrôle des émissions sur le moteur.
- (b) Couverture générale de garantie d'émissions : Generac garantit à l'acquéreur / au propriétaire d'origine, final, du nouveau moteur ou équipement et à chacun des acquéreurs / propriétaires suivant que lorsqu'il est installé le SCE :
- (1) Est conçu, construit et équipé dans le respect de toutes les réglementations applicables ; et
 - (2) Ne comporte aucune pièce défectueuse ni ne présente aucun défaut de fabrication à tout moment de la période de garantie du SCE.
- (c) La garantie sur les pièces relatives aux émissions sera interprétée de la façon suivante :
- (1) Toute pièce garantie, dont le remplacement n'est pas prévu au cours des maintenances obligatoires mentionnées dans le Manuel d'entretien sera garantie pour toute la durée de la Garantie du SCE. Si l'une de ces pièces devient défectueuse pendant la durée de la Garantie du SCE, elle sera réparée ou remplacée par Generac conformément au paragraphe (4) qui suit. Ces pièces réparées ou remplacées dans le cadre de la Garantie du SCE seront garanties pour le reste de la durée de la Garantie du SCE.
 - (2) Toute pièce garantie dont il est prévu une inspection régulière dans le Manuel d'entretien sera garantie pendant toute la durée de la Garantie du SCE. Toute déclaration au niveau du Manuel d'entretien et relative à l'effet de « réparation ou remplacement si nécessaire » ne réduira pas la durée de la Garantie du SCE. Ces pièces réparées ou remplacées dans le cadre de la Garantie du SCE seront garanties pour le reste de la durée de la Garantie du SCE.
 - (3) Toute pièce garantie, dont le remplacement est pas prévu au cours des maintenances obligatoires mentionnées dans le Manuel d'entretien sera garantie pour la période précédant la date du premier remplacement prévu. Si la pièce devient défectueuse avant le premier remplacement prévu, elle sera réparée ou remplacée par Generac, conformément au paragraphe (4) qui suit. Ces pièces relatives aux émissions réparées ou remplacées dans le cadre de la Garantie du SCE seront garanties pour le reste de la durée précédant la date de leur premier remplacement prévu.
 - (4) La réparation ou le remplacement de toute pièce relative aux émissions et garantie dans le cadre de la Garantie du SCE sera réalisé sans frais pour le propriétaire dans un service de garantie agréé par Generac.
 - (5) Nonobstant les dispositions de la sous-section (4) ci-dessus, les services ou réparations sous garantie doivent être effectués aux centres d'entretien agréés par Generac.
 - (6) Si le moteur est inspecté par un service de garantie agréé par Generac, les frais de diagnostic ne seront pas à la charge de l'acquéreur / du propriétaire si la réparation entre dans le cadre de la garantie.
 - (7) Generac est tenu, pendant la durée de la Garantie du SCE, de conserver un stock de pièces relatives aux émissions et garanties suffisant afin de répondre à la demande des dites pièces.
 - (8) Toute pièce de rechange relative aux émissions agréée et approuvée par Generac pourra être utilisée pour la réalisation de toute maintenance ou réparation effectuée dans le cadre de la garantie du SCE et sera fournie sans frais à la charge de l'acquéreur / du propriétaire. Cette utilisation ne réduira pas les obligations de Generac dans le cadre de la Garantie du SCE.
 - (9) Aucune modification, autres que celles explicitement approuvées par Generac, ne peuvent être apportées à la génératrice. Les modifications non approuvées annulent la Garantie du SCE et constituera un motif suffisant pour rejeter toute demande de bénéfice de la Garantie du SCE.
 - (10) Generac ne sera pas responsable des défaillances des pièces de rechange non autorisées, ou défaillance des pièces autorisées causées par l'utilisation de pièces de rechange non autorisées.

LES PIÈCES RELATIVES AUX ÉMISSIONS PEUVENT INCLURE CE QUI SUIT (LE CAS ÉCHÉANT) :

- | | |
|--|------------------------------|
| 1) DISPOSITIF MESUREUR DE CARBURANT | 3) SYSTÈME D'ALLUMAGE |
| A. CARBURATEUR ET PIÈCES INTERNES | A. BOUGIES D'ALLUMAGE |
| B. CAPUCHON/RÉSERVOIR DE CARBURANT | B. MODULE/BOBINES D'ALLUMAGE |
| C. CANALISATIONS DE CARBURANT | 4) SYSTÈME D'ADMISSION D'AIR |
| D. CANALISATION DE TUYAUX D'ÉVACUATION | A. SOUPE À IMPULSION D'AIR |
| E. RÉGULATEUR (CARBURANTS GAZEUX) | 5) SYSTÈME D'ÉCHAPPEMENT |
| 2) SYSTÈME D'ADMISSION D'AIR | A. CATALYSEUR |
| A. COLLECTEUR D'ADMISSION | B. COLLECTEUR D'ÉCHAPPEMENT |
| B. FILTRE À AIR | |

GARANTIE D'ÉMISSION POUR L'ÉQUIPEMENT CERTIFIÉ CARB

CALIFORNIE ET DES ÉMISSIONS EPA AMÉRICAINE DÉCLARATION DE GARANTIE DE CONTRÔLE VOS DROITS ET OBLIGATIONS DE GARANTIE

Le conseil California Air Resource Board (ci-après CARB) et l'Agence pour la Protection de l'Environnement américaine (ci-après dénommée EPA) et la société Generac Power Systems, Inc. (ci-après dénommée Generac) sont heureux de vous expliquer la Garantie du Système de Contrôle des Émissions (ci-après Garantie SCE) de votre nouvel appareil 2012. Le nouvel équipement utilise des petits moteurs à allumage commandé doivent être conçus, construits et équipés dans le respect des normes nationales rigoureuses en matière de pollution pour le gouvernement fédéral et l'État de la Californie. Generac garantira le système de contrôle des émissions de votre génératrice pour les périodes indiquées ci-après, en l'absence d'acte abusif, de négligence, de modification non approuvée ou de maintenance inadaptée de votre équipement.

Le système de contrôle des émissions sur cet équipement inclut tous les composants dont la défaillance augmenterait les émissions de tout polluant réglementé. Ces composants sont indiqués à la liste de la section Information sur les émissions de ce manuel.

COUVERTURE DE GARANTIE DU FABRICANT :

La garantie SCE est valide pour deux ans, ou pour la même période que celle indiquée à la garantie limitée Generac, la période la plus longue s'appliquant. Pour l'équipement muni d'horomètres, la période de garantie est un nombre d'heures égal à la moitié de la vie utile pour laquelle l'équipement est certifié, ou la période de garantie indiquée ci-dessus en années, la période la plus courte s'appliquant. La vie utile est indiquée sur l'étiquette de contrôle des émissions sur le moteur. Si un composant ou système de votre équipement relatif aux émissions comporte une pièce défectueuse ou présente un défaut de fabrication pendant la durée de la garantie, les réparations ou remplacements de pièces seront effectués par un dépositaire d'entretien de garantie agréé par Generac.

RESPONSABILITÉS DE GARANTIE DU PROPRIÉTAIRE :

En tant que propriétaire de la génératrice, vous êtes responsable de la réalisation de toute la maintenance nécessaire telle que listée dans le manuel d'entretien qui vous a été remis par l'usine. Aux fins de la garantie, Generac vous recommande de conserver tous les reçus relatifs à la maintenance effectuée sur votre génératrice, mais Generac ne peut pas refuser la garantie uniquement en raison de la non-présentation des reçus.

Vous devez cependant savoir que Generac pourra refuser tout et / ou partie de la couverture de la garantie ou de la responsabilité si votre appareil et / ou toute pièce de celle-ci ne fonctionne plus du fait d'un usage abusif, d'une négligence, d'une mauvaise maintenance ou de modifications non approuvées.

Vous êtes chargé de contacter un dépositaire de garantie agréé par Generac dès qu'un problème se présente. Les réparations effectuées dans le cadre de la garantie devront être faites dans une période raisonnable, inférieure à 30 jours.

Le service de garantie peut être organisé en contactant votre dépositaire ou un dépositaire de service de garantie agréé par Generac. Pour connaître le dépositaire de service de garantie agréé par Generac situé le plus près, appeler notre numéro ci-dessous, ou envoyer un courrier à emissions@generac.com.

1-800-333-1322

REMARQUE IMPORTANTE : Cet énoncé de garantie explique vos droits et obligations dans le cadre de la garantie du Système de Contrôle des Émissions qui vous est fournie par Generac conformément au droit de l'État fédéral. Consulter également les « Garanties limitées de Generac pour Generac Power Systems, Inc. » jointes au présent document sur un feuillet séparé, qui vous est également remis par Generac. Veuillez noter que la présente garantie ne s'applique pas aux dommages accessoires, importants ou indirects causés par des défaillances matérielles ou de fabrication, ou par tout retard de réparation ou de remplacement de la ou des pièce(s) défectueuses. La présente garantie remplace toutes les autres garanties, implicites ou explicites. En particulier, Generac n'émet aucune garantie de conformité ou d'usage pour un objectif particulier. Certains États et provinces ne permettent pas la limitation de la durée des garanties implicites. Toutes les garanties implicites qui sont autorisées par loi, seront limitées dans la durée selon les termes de la présente garantie. La limitation mentionnée ci-dessus pourrait donc ne pas s'appliquer à votre cas.

La garantie du SCE ne s'applique qu'au système de contrôle des émissions de votre nouvel équipement. Les garanties du SCE et de Generac décrivent les droits et obligations importantes relatives à votre nouvel équipement.

Le service de garantie ne peut être réalisé que par une entreprise de service agréée par Generac. En cas de demande du service de garantie, des preuves mentionnant la date de vente à l'acquéreur / au propriétaire d'origine doivent être présentées.

Pour toute question concernant vos droits et responsabilités de garantie, merci de contacter Generac à l'adresse suivante :

ATTENTION WARRANTY DEPARTMENT

GENERAC POWER SYSTEMS, INC.

P.O. BOX (boîte postale) 297 • WHITEWATER, WI 53190

GARANTIE D'ÉMISSION POUR L'ÉQUIPEMENT CERTIFIÉ CARB

GARANTIE DU SYSTÈME DE LUTTE ANTIÉMISSION

Garantie du Système de Contrôle des Émissions (garantie du SCE) pour l'équipement utilisant de petits moteurs à allumage commandé :

- (a) Applicabilité : la présente garantie s'applique à l'équipement qui utilise de petits moteurs hors route. La période de la garantie du SCE commencera à la date d'achat / de livraison du nouvel équipement à son acquéreur / propriétaire d'origine, final, et durera pendant les 24 mois suivant ladite date.
- (1) La période de temps spécifiée dans la présente Garantie limitée de Generac, mais pas moins de 24 mois, ou
- (2) Pour les moteurs munis d'horomètres, un nombre d'heures de fonctionnement égal à la moitié de la vie utile du moteur. La vie utile est indiquée sur l'étiquette de contrôle des émissions sur le moteur.
- (b) Couverture générale de garantie d'émissions : Generac garantit à l'acquéreur / au propriétaire d'origine, final, du nouveau moteur ou équipement et à chacun des acquéreurs / propriétaires suivant que lorsqu'il est installé le SCE :
- (1) Est conçu, construit et équipé dans le respect de toutes les réglementations applicables ; et
- (2) Ne comporte aucune pièce défectueuse ni ne présente aucun défaut de fabrication à tout moment de la période de garantie du SCE.
- (c) La garantie sur les pièces relatives aux émissions sera interprétée de la façon suivante :
- (1) Toute pièce garantie, dont le remplacement n'est pas prévu au cours des maintenances obligatoires mentionnées dans le Manuel d'entretien sera garantie pour toute la durée de la Garantie du SCE. Si l'une de ces pièces devient défectueuse pendant la durée de la Garantie du SCE, elle sera réparée ou remplacée par Generac conformément au paragraphe (4) qui suit. Ces pièces réparées ou remplacées dans le cadre de la Garantie du SCE seront garanties pour le reste de la durée de la Garantie du SCE.
- (2) Toute pièce garantie dont il est prévu une inspection régulière dans le Manuel d'entretien sera garantie pendant toute la durée de la Garantie du SCE. Toute déclaration au niveau du Manuel d'entretien et relative à l'effet de « réparation ou remplacement si nécessaire » ne réduira pas la durée de la Garantie du SCE. Ces pièces réparées ou remplacées dans le cadre de la Garantie du SCE seront garanties pour le reste de la durée de la Garantie du SCE.
- (3) Toute pièce garantie, dont le remplacement est pas prévu au cours des maintenances obligatoires mentionnées dans le Manuel d'entretien sera garantie pour la période précédant la date du premier remplacement prévu. Si la pièce devient défectueuse avant le premier remplacement prévu, elle sera réparée ou remplacée par Generac, conformément au paragraphe (4) qui suit. Ces pièces relatives aux émissions réparées ou remplacées dans le cadre de la Garantie du SCE seront garanties pour le reste de la durée précédant la date de leur premier remplacement prévu.
- (4) La réparation ou le remplacement de toute pièce relative aux émissions et garantie dans le cadre de la Garantie du SCE sera réalisé sans frais pour le propriétaire dans un service de garantie agréé par Generac.
- (5) Nonobstant les dispositions de la sous-section (4) ci-dessus, les services ou réparations sous garantie doivent être effectués aux centres d'entretien agréés par Generac.
- (6) Si le moteur est inspecté par un service de garantie agréé par Generac, les frais de diagnostic ne seront pas à la charge de l'acquéreur / du propriétaire si la réparation entre dans le cadre de la garantie.
- (7) Generac est tenu, pendant la durée de la Garantie du SCE, de conserver un stock de pièces relatives aux émissions et garanties suffisant afin de répondre à la demande des dites pièces.
- (8) Toute pièce de rechange relative aux émissions agréée et approuvée par Generac pourra être utilisée pour la réalisation de toute maintenance ou réparation effectuée dans le cadre de la garantie du SCE et sera fournie sans frais à la charge de l'acquéreur / du propriétaire. Cette utilisation ne réduira pas les obligations de Generac dans le cadre de la Garantie du SCE.
- (9) Aucune modification, autre que celles spécifiquement approuvées par Generac, ne peut être apportée à cette génératrice. Les modifications non approuvées annulent cette garantie SCE et représentent une raison suffisante pour décliner toute réclamation en vertu de la garantie SCE.
- (10) En vertu des présentes, Generac ne sera pas tenu pour responsable des défaillances de pièces de rechange non autorisées, ou des défaillances des pièces autorisées causées par l'utilisation de pièces de rechange non autorisées.

LES PIÈCES RELATIVES AUX ÉMISSIONS PEUVENT INCLURE CE QUI SUIT (LE CAS ÉCHÉANT) :

- | | |
|--|------------------------------|
| 1) DISPOSITIF MESUREUR DE CARBURANT | 3) SYSTÈME D'ALLUMAGE |
| A. CARBURATEUR ET PIÈCES INTERNES | A. BOUGIES D'ALLUMAGE |
| B. CAPUCHON/RÉSERVOIR DE CARBURANT | B. MODULE/BOBINES D'ALLUMAGE |
| C. CANALISATIONS DE CARBURANT | 4) SYSTÈME D'ADMISSION D'AIR |
| D. CANALISATION DE TUYAUX D'ÉVACUATION | A. SOUPE À IMPULSION D'AIR |
| E. RÉGULATEUR (CARBURANTS GAZEUX) | 5) SYSTÈME D'ÉCHAPPEMENT |
| F. RÉSERVOIR DE CARBONE | A. CATALYSEUR |
| 2) SYSTÈME D'ADMISSION D'AIR | B. COLLECTEUR D'ÉCHAPPEMENT |
| A. COLLECTEUR D'ADMISSION | |
| B. FILTRE À AIR | |

Garantie

GARANTIE LIMITÉE DE « DEUX ANS » DE GENERAC POWER SYSTEMS POUR LES GÉNÉRATEURS PORTABLES SÉRIE GP

La société Generac Power Systems, Inc. (Generac) garantit que, pendant une période de deux (2) années à compter de la date d'achat d'origine, ses générateurs série GP ne présenteront aucun défaut matériel ni de fabrication pour les éléments et la période mentionnée ci-après. Generac réparera ou remplacera, comme il le jugera nécessaire, toute pièce jugée défectueuse après un examen, une inspection et un test réalisés par Generac ou un dépositaire de service de garantie agréé par Generac. Tout(e) réparation ou remplacement dans le cadre de la présente garantie limitée ne renouvelle pas ou ne prolonge pas la durée de garantie initiale. Tout produit réparé est uniquement garanti pendant la durée restante de garantie initiale. Tout équipement déclaré défectueux par l'acquéreur / le propriétaire doit être retourné et examiné par le dépositaire de service de garantie agréé par Generac le plus proche. Tous les frais d'envoi à payer dans le cadre de la garantie, dont le retour à l'usine, seront supportés et payés à l'avance par l'acquéreur / le propriétaire. Cette garantie ne s'applique qu'aux générateurs portables de la série GP et n'est pas transférable par l'acquéreur d'origine. Il est conseillé de conserver les preuves d'achat. Si vous ne fournissez pas de preuve de la date d'achat d'origine, la date d'envoi du produit par son fabricant servira à déterminer la période de garantie.

PROGRAMME DE GARANTIE

Les applications des clients sont garanties pendant deux (2) ans. Les applications commerciales et de location sont garanties pendant un (1) ans ou 1 000 heures maximum, à la première des deux dates.

DEMANDE DES CONSOMMATEURS POUR LES ETATS-UNIS ET AU CANADA SEULEMENT

ANNÉE UNE – Couverture complète limitée pour la main d'œuvre et la (les) pièce(s) listée(s) (il est nécessaire de présenter une preuve d'achat et de maintenance) :

- Moteur - tous les composants
- Alternateur - tous les composants

ANNÉE DEUX – Couverture complète limitée pour la (les) pièce(s) listée(s) (il est nécessaire de présenter une preuve d'achat et de maintenance) :

- Moteur - tous les composants
- Alternateur - tous les composants

APPLICATIONS COMMERCIALES / DE LOCATION

ANNÉE UNE – Couverture complète limitée pour la main d'œuvre et la (les) pièce(s) listée(s) (il est nécessaire de présenter une preuve d'achat et de maintenance) :

- Moteur - tous les composants
- Alternateur - tous les composants

REMARQUE : Aux fins de la présente garantie, « utilisation du consommateur » désigne une utilisation ménagère personnelle ou récréative de la part de l'acquéreur d'origine. La présente garantie ne s'applique pas aux unités utilisées pour de l'énergie primaire au lieu du réseau lorsque le réseau électrique principal est présent ou n'existe normalement pas. Une fois que le générateur a été utilisé de manière commerciale ou locative, il sera considéré par la suite comme un générateur à utilisation non personnelle dans le cadre de la présente garantie.

DIRECTIVES :

1. Toute réparation sous garantie doit être effectuée et/ou traitée par un dépositaire autorisé / agréé par Generac, ou une filiale de Generac.
2. Les unités qui ont été revendues ne sont pas couvertes par la garantie de Generac étant donné que la présente garantie n'est pas transférable.
3. L'utilisation de pièce(s) de rechange autre(s) que Generac annulera entièrement la garantie.
4. Generac peut choisir de réparer, de remplacer ou de rembourser une pièce de l'équipement.
5. Le taux de main-d'œuvre sous garantie est basé sur les heures normales de travail. Les autres frais relatifs aux heures supplémentaires, aux vacances ou aux coûts salariaux pour les réparations d'urgence en dehors des heures normales de travail seront à la charge du client.
6. Les frais de transport des pièces sous garantie sont remboursés à des tarifs de transport terrestre. Les frais associés aux demandes de transport seront à la charge du client.
7. Les batteries sont garanties par le fabricant de batteries.
8. La vérification de la maintenance nécessaire peut être exigée pour la couverture de la garantie.

LA PRÉSENTE GARANTIE NE S'APPLIQUE PAS AUX ÉLÉMENTS SUIVANTS :

1. Les coûts de maintenance et des modifications normales.
2. Les défaillances entraînées par de l'essence ou de l'huile contaminée, ou par l'utilisation de niveaux d'huile non appropriés.
3. Les réparations ou diagnostics réalisés par des dépositaires non agréés par Generac et non autorisés par écrit par Generac.
4. Les défaillances dues, sans s'y limiter, à l'usure normale, à des accidents, mauvaises utilisations, usages abusifs, négligence ou utilisation inadaptée.
5. Comme pour tous les dispositifs mécaniques, les moteurs Generac nécessitent une réparation et un remplacement périodiques de leurs pièces pour fonctionner comme prévu. La présente garantie ne couvre pas les réparations lorsque le problème de la ou les pièce(s) ou du moteur découle d'une utilisation normale.
6. Les défaillances causées par toute cause extérieure ou tout cas de force majeure, tel qu'un choc, un vol, un acte de vandalisme, une émeute, une guerre, un holocauste nucléaire, un incendie, un gel, la foudre, un séisme, une tempête, la grêle, une éruption volcanique, l'eau ou une inondation, une tornade ou un ouragan.
7. Les dommages dus à des rongeurs et/ou insectes.
8. Les produits modifiés ou altérés d'une façon n'ayant pas été autorisée par écrit par Generac.
9. Les dommages accessoires, importants ou indirects causés par des défaillances matérielles ou de fabrication, ou par tout retard de réparation ou de remplacement de la ou des pièce(s) défectueuses.
10. Les défaillances dues à une mauvaise application.
11. Les dépenses liées à l'instruction du client ou au dépannage lorsqu'aucun défaut n'est détecté.
12. Les équipements loués utilisés pendant la réalisation des réparations dans le cadre de la garantie.
13. Les batteries de démarrage, fusibles, ampoules et fluides du moteur.

LA PRÉSENTE GARANTIE REMPLACE TOUTES LES AUTRES GARANTIES, IMPLICITES OU EXPLICITES. EN PARTICULIER, GENERAC N'ÉMET AUCUNE GARANTIE DE CONFORMITÉ OU D'USAGE POUR UN OBJECTIF PARTICULIER. Toute garantie implicite autorisée par la loi doit être limitée en durée conformément aux conditions de garantie explicite stipulées dans la présente. Certains états ne permettent pas de poser une limite à la durée de la garantie implicite, la limite susmentionnée ne s'applique donc pas à ces derniers. GENERAC NE SERA RESPONSABLE QUE DE LA RÉPARATION OU DU REMPLACEMENT DE LA OU DES PIÈCES TEL QUE SUSMENTIONNÉ. EN AUCUN CAS GENERAC NE POURRA ÊTRE TENU RESPONSABLE DE TOUT DOMMAGE ACCESSOIRE OU IMPORTANT, MÊME SI CE DOMMAGE DÉCOULE DIRECTEMENT D'UNE NÉGLIGENCE DE GENERAC. Certains états ne permettent pas d'exclure ou de poser une limite aux dommages accessoires ou importants, la limite susmentionnée ne s'applique donc pas à ces derniers. La présente garantie vous confère des droits juridiques spécifiques. Votre état vous confère également d'autres droits.

GENERAC POWER SYSTEMS, INC. • P.O. BOX 8 • Waukesha, WI 53187 • Tél. : (888) GENERAC (436-3722) • Fax : (262) 544-4851

Pour localiser le dépositaire le plus proche, visitez notre site Internet www.generac.com