

If you have questions or comments, contact us.
Pour toute question ou tout commentaire, nous contacter.
Si tiene dudas o comentarios, contáctenos.

1-800-4-DEWALT • www.dewalt.com

INSTRUCTION MANUAL
GUIDE D'UTILISATION
MANUAL DE INSTRUCCIONES

INSTRUCTIVO DE OPERACIÓN, CENTROS DE SERVICIO Y PÓLIZA DE GARANTÍA. ADVERTENCIA: LEASE ESTE INSTRUCTIVO ANTES DE USAR EL PRODUCTO.

DEWALT®

DCF885

1/4" (6.35 mm) 20V Max* Cordless Impact Driver

Visseuse à percussion sans fil de 6,35 mm (1/4 po), 20 V max*

Destornillador de impacto inalámbrico de 6,35 mm (1/4 pulg.) 20 V Máx*

DEWALT Industrial Tool Co., 701 East Joppa Road, Baltimore, MD 21286
(MAR11) Part No. N084693 DCF885 Copyright © 2011 DEWALT

The following are trademarks for one or more DEWALT power tools: the yellow and black color scheme, the "D" shaped air intake grill, the array of pyramids on the handgrip, the kit box configuration, and the array of lozenge-shaped humps on the surface of the tool.

Definitions: Safety Guidelines

The definitions below describe the level of severity for each signal word. Please read the manual and pay attention to these symbols.

▲DANGER: Indicates an imminently hazardous situation which, if not avoided, will result in **death or serious injury**.

▲WARNING: Indicates a potentially hazardous situation which, if not avoided, could result in **death or serious injury**.

▲CAUTION: Indicates a potentially hazardous situation which, if not avoided, may result in **minor or moderate injury**.

NOTICE: Indicates a practice **not related to personal injury** which, if not avoided, may result in **property damage**.

IF YOU HAVE ANY QUESTIONS OR COMMENTS ABOUT THIS OR ANY DEWALT TOOL, CALL US TOLL FREE AT: 1-800-4-DEWALT (1-800-433-9258).

WARNING: To reduce the risk of injury, read the instruction manual.

General Power Tool Safety Warnings

WARNING! Read all safety warnings and all instructions. Failure to follow the warnings and instructions may result in electric shock, fire and/or serious injury.

SAVE ALL WARNINGS AND INSTRUCTIONS FOR FUTURE REFERENCE

The term "power tool" in the warnings refers to your mains-operated (corded) power tool or battery-operated (cordless) power tool.

1) WORK AREA SAFETY

- Keep work area clean and well lit. Cluttered or dark areas invite accidents.
- Do not operate power tools in explosive atmospheres, such as in the presence of flammable liquids, gases or dust. Power tools create sparks which may ignite the dust or fumes.
- Keep children and bystanders away while operating a power tool. Distractions can cause you to lose control.

2) ELECTRICAL SAFETY

- Power tool plugs must match the outlet. Never modify the plug in any way. Do not use any adapter plugs with earthed (grounded) power tools. Unmodified plugs and matching outlets will reduce risk of electric shock.
- Avoid body contact with earthed or grounded surfaces such as pipes, radiators, ranges and refrigerators. There is an increased risk of electric shock if your body is earthed or grounded.
- Do not expose power tools to rain or wet conditions. Water entering a power tool will increase the risk of electric shock.
- Do not abuse the cord. Never use the cord for carrying, pulling or unplugging the power tool. Keep cord away from heat, oil, sharp edges or moving parts. Damaged or entangled cords increase the risk of electric shock.
- When operating a power tool outdoors, use an extension cord suitable for outdoor use. Use of a cord suitable for outdoor use reduces the risk of electric shock.
- If operating a power tool in a damp location is unavoidable, use a ground fault circuit interrupter (GFCI) protected supply. Use of a GFCI reduces the risk of electric shock.

3) PERSONAL SAFETY

- Stay alert, watch what you are doing and use common sense when operating a power tool. Do not use a power tool while you are tired or under the influence of drugs, alcohol or medication. A moment of inattention while operating power tools may result in serious personal injury.
- Use personal protective equipment. Always wear eye protection. Protective equipment such as dust mask, non-skid safety shoes, hard hat, or hearing protection used for appropriate conditions will reduce personal injuries.
- Prevent unintentional starting. Ensure the switch is in the off position before connecting to power source and/or battery pack, picking up or carrying the tool. Carrying power tools with your finger on the switch or energizing power tools that have the switch on invites accidents.
- Remove any adjusting key or wrench before turning the power tool on. A wrench or a key left attached to a rotating part of the power tool may result in personal injury.
- Do not overreach. Keep proper footing and balance at all times. This enables better control of the power tool in unexpected situations.
- Dress properly. Do not wear loose clothing or jewelry. Keep your hair, clothing and gloves away from moving parts. Loose clothes, jewelry or long hair can be caught in moving parts.
- If devices are provided for the connection of dust extraction and collection facilities, ensure these are connected and properly used. Use of dust collection can reduce dust-related hazards.

4) POWER TOOL USE AND CARE

- Do not force the power tool. Use the correct power tool for your application. The correct power tool will do the job better and safer at the rate for which it was designed.
- Do not use the power tool if the switch does not turn it on and off. Any power tool that cannot be controlled with the switch is dangerous and must be repaired.
- Disconnect the plug from the power source and/or the battery pack from the power tool before making any adjustments, changing accessories, or storing power tools. Such preventive safety measures reduce the risk of starting the power tool accidentally.
- Store idle power tools out of the reach of children and do not allow persons unfamiliar with the power tool or these instructions to operate the power tool. Power tools are dangerous in the hands of untrained users.
- Maintain power tools. Check for misalignment or binding of moving parts, breakage of parts and any other condition that may affect the power tool's operation. If damaged, have the power tool repaired before use. Many accidents are caused by poorly maintained power tools.
- Keep cutting tools sharp and clean. Properly maintained cutting tools with sharp cutting edges are less likely to bind and are easier to control.
- Use the power tool, accessories and tool bits, etc. in accordance with these instructions, taking into account the working conditions and the work to be performed. Use of the power tool for operations different from those intended could result in a hazardous situation.

5) BATTERY TOOL USE AND CARE

- Recharge only with the charger specified by the manufacturer. A charger that is suitable for one type of battery pack may create a risk of fire when used with another battery pack.
- Use power tools only with specifically designated battery packs. Use of any other battery packs may create a risk of injury and fire.

c) When battery pack is not in use, keep it away from other metal objects like paper clips, coins, keys, nails, screws, or other small metal objects that can make a connection from one terminal to another. Shorting the battery terminals together may cause burns or a fire.

d) Under abusive conditions, liquid may be ejected from the battery; avoid contact. If contact accidentally occurs, flush with water. If liquid contacts eyes, additionally seek medical help. Liquid ejected from the battery may cause irritation or burns.

6) SERVICE

- Have your power tool serviced by a qualified repair person using only identical replacement parts. This will ensure that the safety of the power tool is maintained.

Additional Specific Safety Rules

- Hold power tool by insulated gripping surfaces when performing an operation where the fastener may contact hidden wiring. Fasteners contacting a "live" wire may make exposed metal parts of the power tool "live" and could give the operator an electric shock.
- Use clamps or other practical way to secure and support the workpiece to a stable platform. Holding the work by hand or against your body is unstable and may lead to loss of control.
- Wear safety goggles or other eye protection. Hammering and drilling operations cause chips to fly. Flying particles can cause permanent eye damage.
- Bits, sockets and tools get hot during operation. Wear gloves when touching them.
- Air vents often cover moving parts and should be avoided. Loose clothes, jewelry or long hair can be caught in moving parts.
- Do not operate this tool for long periods of time. Vibration caused by tool action may be harmful to your hands and arms. Use gloves to provide extra cushion and limit exposure by taking frequent rest periods.

▲ WARNING: ALWAYS use safety glasses. Everyday eyeglasses are NOT safety glasses. Also use face or dust mask if cutting operation is dusty. ALWAYS WEAR CERTIFIED SAFETY EQUIPMENT:

- ANSI Z87.1 eye protection (CAN/CSA Z94.3),
- ANSI S12.6 (S3.19) hearing protection,
- NIOSH/OSHA/MSHA respiratory protection.

▲ WARNING: Some dust created by power sanding, sawing, grinding, drilling, and other construction activities contains chemicals known to the State of California to cause cancer, birth defects or other reproductive harm. Some examples of these chemicals are:

- lead from lead-based paints,
- crystalline silica from bricks and cement and other masonry products, and
- arsenic and chromium from chemically-treated lumber.

Your risk from these exposures varies, depending on how often you do this type of work. To reduce your exposure to these chemicals: work in a well ventilated area, and work with approved safety equipment, such as those dust masks that are specially designed to filter out microscopic particles.

▲ WARNING: Avoid prolonged contact with dust from power sanding, sawing, grinding, drilling, and other construction activities. Wear protective clothing and wash exposed areas with soap and water. Allowing dust to get into your mouth, eyes, or lay on the skin may promote absorption of harmful chemicals.

▲ WARNING: Use of this tool can generate and/or disburse dust, which may cause serious and permanent respiratory or other injury. Always use NIOSH/OSHA approved respiratory protection appropriate for the dust exposure. Direct particles away from face and body.

▲ WARNING: ALWAYS wear proper personal hearing protection that conforms to ANSI S12.6 (S3.19) during use. Under some conditions and duration of use, noise from this product may contribute to hearing loss.

▲ CAUTION: When not in use, place tool on its side on a stable surface where it will not cause a tripping or falling hazard. Some tools with large battery packs will stand upright on the battery pack but may be easily knocked over.

The label on your tool may include the following symbols. The symbols and their definitions are as follows:

V.....volts	A..... amperes
Hz.....hertz	W..... watts
minminutes	~ alternating current
==direct current	⎓ alternating or direct current
Ⓜ Class I Construction (grounded)	n _o no load speed
Ⓜ Class II Construction (double insulated)	Ⓧ earthing terminal
.../minper minute	▲ safety alert symbol
IPM.....impacts per minute	BPM.....beats per minute
	RPM..... revolutions per minute

Important Safety Instructions for All Battery Packs

When ordering replacement battery packs, be sure to include the catalog number and voltage. Consult the chart at the end of this manual for compatibility of chargers and battery packs.

The battery pack is not fully charged out of the carton. Before using the battery pack and charger, read the safety instructions below and then follow charging procedures outlined.

READ ALL INSTRUCTIONS

- Do not charge or use the battery pack in explosive atmospheres, such as in the presence of flammable liquids, gases or dust. Inserting or removing the battery pack from the charger may ignite the dust or fumes.
- NEVER force the battery pack into the charger. DO NOT modify the battery pack in any way to fit into a non-compatible charger as battery pack may rupture causing serious personal injury. Consult the chart at the end of this manual for compatibility of batteries and chargers.
- Charge the battery packs only in designated DEWALT chargers.
- DO NOT splash or immerse in water or other liquids.
- Do not store or use the tool and battery pack in locations where the temperature may reach or exceed 105°F (40°C) (such as outside sheds or metal buildings in summer). For best life store battery packs in a cool, dry location.

NOTE: Do not store the battery packs in a tool with the trigger switch locked on. Never tape the trigger switch in the ON position.

▲ WARNING: Fire hazard. Never attempt to open the battery pack for any reason. If the battery pack case is cracked or damaged, do not insert into the charger. Do not crush, drop or damage the battery pack. Do not use a battery pack or charger that has received a sharp blow, been dropped, run over or damaged in any way (e.g., pierced with a nail, hit with a hammer, stepped on). Damaged battery packs should be returned to the service center for recycling.

▲ WARNING: Fire hazard. Do not store or carry the battery pack so that metal objects can contact exposed battery terminals. For example, do not place the battery pack in aprons, pockets, tool boxes, product kit boxes, drawers, etc., with loose nails, screws, keys, etc. **Transporting batteries can possibly cause fires if the battery terminals inadvertently come in contact with conductive materials such as keys, coins, hand tools and the like.** The US Department of Transportation Hazardous Material Regulations (HMR) actually prohibit transporting batteries in commerce or on airplanes (e.g., packed in suitcases and carry-on luggage) UNLESS they are properly protected from short circuits. So when transporting individual battery packs, make sure that the battery terminals are protected and well insulated from materials that could contact them and cause a short circuit.

SPECIFIC SAFETY INSTRUCTIONS FOR LITHIUM ION (Li-Ion)

- Do not incinerate the battery pack even if it is severely damaged or is completely worn out. The battery pack can explode in a fire. Toxic fumes and materials are created when lithium ion battery packs are burned.
 - If battery contents come into contact with the skin, immediately wash area with mild soap and water. If battery liquid gets into the eye, rinse water over the open eye for 15 minutes or until irritation ceases. If medical attention is needed, the battery electrolyte is composed of a mixture of liquid organic carbonates and lithium salts.
 - Contents of opened battery cells may cause respiratory irritation. Provide fresh air. If symptoms persist, seek medical attention.
- ▲ WARNING:** Burn hazard. Battery liquid may be flammable if exposed to spark or flame.

The RBRC™ Seal

The RBRC™ (Rechargeable Battery Recycling Corporation) Seal on the nickel cadmium, nickel metal hydride or lithium ion batteries (or battery packs) indicate that the costs to recycle these batteries (or battery packs) at the end of their useful life have already been paid by DEWALT. In some areas, it is illegal to place spent nickel cadmium, nickel metal hydride or lithium ion batteries in the trash or municipal solid waste stream and the RBRC program provides an environmentally conscious alternative.



RBRC™, in cooperation with DEWALT and other battery users, has established programs in the United States and Canada to facilitate the collection of spent nickel cadmium, nickel metal hydride or lithium ion batteries. Help protect our environment and conserve natural resources by returning the spent nickel cadmium, nickel metal hydride or lithium ion batteries to an authorized DEWALT service center or to your local retailer for recycling. You may also contact your local recycling center for information on where to drop off the spent battery.

RBRC™ is a registered trademark of the Rechargeable Battery Recycling Corporation.

Important Safety Instructions for All Battery Chargers

SAVE THESE INSTRUCTIONS: This manual contains important safety and operating instructions for battery chargers.

- Before using the charger, read all instructions and cautionary markings on the charger, battery pack and product using the battery pack.

▲ WARNING: Shock hazard. Do not allow any liquid to get inside the charger. Electric shock may result.

▲ CAUTION: Burn hazard. To reduce the risk of injury, charge only DEWALT rechargeable battery packs. Other types of batteries may overheat and burst resulting in personal injury and property damage.

NOTICE: Under certain conditions, with the charger plugged into the power supply, the charger can be shorted by foreign material. Foreign materials of a conductive nature, such as, but not limited to, grinding dust, metal chips, steel wool, aluminum foil or any buildup of metallic particles should be kept away from the charger cavities. Always unplug the charger from the power supply when there is no battery pack in the cavity. Unplug the charger before attempting to clean.

- DO NOT attempt to charge the battery pack with any chargers other than the ones in this manual. The charger and battery pack are specifically designed to work together.
- These chargers are not intended for any uses other than charging DEWALT rechargeable batteries. Any other uses may result in risk of fire, electric shock or electrocution.
- Do not expose the charger to rain or snow.
- Pull by the plug rather than the cord when disconnecting the charger. This will reduce the risk of damage to the electric plug and cord.
- Make sure that the cord is located so that it will not be stepped on, tripped over or otherwise subjected to damage or stress.
- Do not use an extension cord unless it is absolutely necessary. Use of improper extension cord could result in risk of fire, electric shock or electrocution.
- When operating a charger outdoors, always provide a dry location and use an extension cord suitable for outdoor use. Use of a cord suitable for outdoor use reduces the risk of electric shock.

- **An extension cord must have adequate wire size (AWG or American Wire Gauge) for safety.** The smaller the gauge number of the wire, the greater the capacity of the cable, that is, 16 gauge has more capacity than 18 gauge. An undersized cord will cause a drop in line voltage resulting in loss of power and overheating. When using more than one extension to make up the total length, be sure each individual extension contains at least the minimum wire size. The following table shows the correct size to use depending on cord length and nameplate ampere rating. If in doubt, use the next heavier gauge. The lower the gauge number, the heavier the cord.

Ampere Rating		Minimum Gauge for Cord Sets				
		Volts	Total Length of Cord in Feet (meters)			
		120V	25 (7.6)	50 (15.2)	100 (30.5)	150 (45.7)
		240V	50 (15.2)	100 (30.5)	200 (61.0)	300 (91.4)
More Than	Not More Than	AWG				
0	6		18	16	16	14
6	10		18	16	14	12
10	12		16	16	14	12
12	16		14	12	Not Recommended	

- **Do not place any object on top of the charger or place the charger on a soft surface that might block the ventilation slots and result in excessive internal heat.** Place the charger in a position away from any heat source. The charger is ventilated through slots in the top and the bottom of the housing.
- **Do not operate the charger with a damaged cord or plug.**
- **Do not operate the charger if it has received a sharp blow, been dropped or otherwise damaged in any way.** Take it to an authorized service center.
- **Do not disassemble the charger; take it to an authorized service center when service or repair is required.** Incorrect reassembly may result in a risk of electric shock, electrocution or fire.
- **Disconnect the charger from the outlet before attempting any cleaning.** This will reduce the risk of electric shock. Removing the battery pack will not reduce this risk.
- **NEVER attempt to connect 2 chargers together.**
- **The charger is designed to operate on standard 120V household electrical power. Do not attempt to use it on any other voltage.** This does not apply to the vehicular charger.

Chargers

Your tool uses a DEWALT charger. Be sure to read all safety instructions before using your charger. Consult the chart at the end of this manual for compatibility of chargers and battery packs.

Charging Procedure (Fig. 2)

1. Plug the charger into an appropriate outlet before inserting the battery pack.
2. Insert the battery pack (F) into the charger, as shown in Figure 2, making sure the pack is fully seated in charger. The red (charging) light will blink continuously, indicating that the charging process has started.
3. The completion of charge will be indicated by the red light remaining ON continuously. The pack is fully charged and may be used at this time or left in the charger.

Indicator Light Operation

	PACK CHARGING	-----
	PACK CHARGED	—————
	HOT/COLD DELAY	—●—●—●—●—●—●—
	PROBLEM PACK OR CHARGER	●●●●●●●●
	PROBLEM POWERLINE	●● ●● ●● ●● ●●

Charge Indicators

This charger is designed to detect certain problems that can arise. Problems are indicated by the red light flashing at a fast rate. If this occurs, re-insert the battery pack into the charger. If the problem persists, try a different battery pack to determine if the charger is working properly. If the new pack charges correctly, then the original pack is defective and should be returned to a service center or other collection site for recycling. If the new battery pack elicits the same trouble indication as the original, have the charger and the battery pack tested at an authorized service center.

HOT/COLD DELAY

This charger has a hot/cold delay feature: when the charger detects a battery that is hot, it automatically starts a delay, suspending charging until the battery has cooled. After the battery has cooled, the charger automatically switches to the pack charging mode. This feature ensures maximum battery life. The red light flashes long, then short while in the hot/cold delay mode.

LEAVING THE BATTERY PACK IN THE CHARGER

The charger and battery pack can be left connected with the charge indicator showing Pack Charged.

WEAK BATTERY PACKS: Weak batteries will continue to function but should not be expected to perform as much work.

FAULTY BATTERY PACKS: This charger will not charge a faulty battery pack. The charger will indicate faulty battery pack by refusing to light or by displaying problem pack or charger.

NOTE: This could also mean a problem with a charger.

Important Charging Notes

1. Longest life and best performance can be obtained if the battery pack is charged when the air temperature is between 65°F and 75°F (18°–24°C). DO NOT charge the battery pack in an air temperature below +40°F (+4.5°C), or above +105°F (+40.5°C). This is important and will prevent serious damage to the battery pack.
2. The charger and battery pack may become warm to the touch while charging. This is a normal condition, and does not indicate a problem. To facilitate the cooling of the battery pack after use, avoid placing the charger or battery pack in a warm environment such as in a metal shed or an uninsulated trailer.
3. A cold battery pack will charge at about half the rate of a warm battery pack. The battery pack will charge at that slower rate throughout the entire charging cycle and will not return to maximum charge rate even if the battery pack warms.
4. If the battery pack does not charge properly:
 - a. Check operation of receptacle by plugging in a lamp or other appliance;
 - b. Check to see if receptacle is connected to a light switch which turns power off when you turn out the lights;
 - c. Move the charger and battery pack to a location where the surrounding air temperature is approximately 65°F–75°F (18°–24°C);
 - d. If charging problems persist, take the tool, battery pack and charger to your local service center.
5. The battery pack should be recharged when it fails to produce sufficient power on jobs which were easily done previously. DO NOT CONTINUE to use under these conditions. Follow the charging procedure. You may also charge a partially used pack whenever you desire with no adverse effect on the battery pack.
6. Foreign materials of a conductive nature such as, but not limited to, grinding dust, metal chips, steel wool, aluminum foil, or any buildup of metallic particles should be kept away from charger cavities. Always unplug the charger from the power supply when there is no battery pack in the cavity. Unplug the charger before attempting to clean.
7. Do not freeze or immerse the charger in water or any other liquid.

▲WARNING: Shock hazard. Don't allow any liquid to get inside the charger. Electric shock may result.

▲WARNING: Burn hazard. Do not submerge the battery pack in any liquid or allow any liquid to enter the battery pack. Never attempt to open the battery pack for any reason. If the plastic housing of the battery pack breaks or cracks, return to a service center for recycling.

Storage Recommendations

1. The best storage place is one that is cool and dry, away from direct sunlight and excess heat or cold.
2. For long storage, it is recommended to store a fully charged battery pack in a cool dry place out of the charger for optimal results.

NOTE: Battery packs should not be stored completely depleted of charge. The battery pack will need to be recharged before use.

SAVE THESE INSTRUCTIONS FOR FUTURE USE

COMPONENTS (Fig. 1)

▲WARNING: Never modify the power tool or any part of it. Damage or personal injury could result.

- | | |
|---|-----------------------------------|
| A. Trigger switch | F. Battery pack |
| B. Forward/reverse button | G. Worklight |
| C. Chuck collar | H. Belt hook (optional accessory) |
| D. 1/4" (6.35 mm) hex quick-release chuck | I. Screw |
| E. Battery release button | |

INTENDED USE

These impact wrench/drivers are designed for professional impact screwdriving applications. The impact function makes this tool particularly useful for driving fasteners in wood, metal and concrete. **DO NOT** use under wet conditions or in presence of flammable liquids or gases.

These heavy-duty impact wrench/drivers are professional power tools. **DO NOT** let children come into contact with the tool. Supervision is required when inexperienced operators use this tool.

Belt Hook (Optional Accessory) (Fig. 1)

▲WARNING: To reduce the risk of serious personal injury, place the forward/reverse button in the lock-off position or turn tool off and disconnect battery pack before making any adjustments or removing/installing attachments or accessories.

▲WARNING: To reduce the risk of serious personal injury, DO NOT suspend tool overhead or suspend objects from the belt hook. **ONLY** hang tool's belt hook from a work belt.

▲WARNING: To reduce the risk of serious personal injury, ensure the screw holding the belt hook is secure.

IMPORTANT: When attaching or replacing the belt hook, use only the screw (I) that is provided. Be sure to securely tighten the screw.

The belt hook (H) can be attached to either side of the tool using only the screw (I) provided, to accommodate left- or right- handed users. If the hook is not desired at all, it can be removed from the tool.

To move belt hook, remove the screw (I) that holds the belt hook in place then reassemble on the opposite side. Be sure to securely tighten the screw.

OPERATION

▲WARNING: To reduce the risk of serious personal injury, place the forward/reverse button in the lock-off position or turn tool off and disconnect battery pack before making any adjustments or removing/installing attachments or accessories.

Installing and Removing the Battery Pack (Fig. 3)

NOTE: For best results, make sure your battery pack is fully charged.

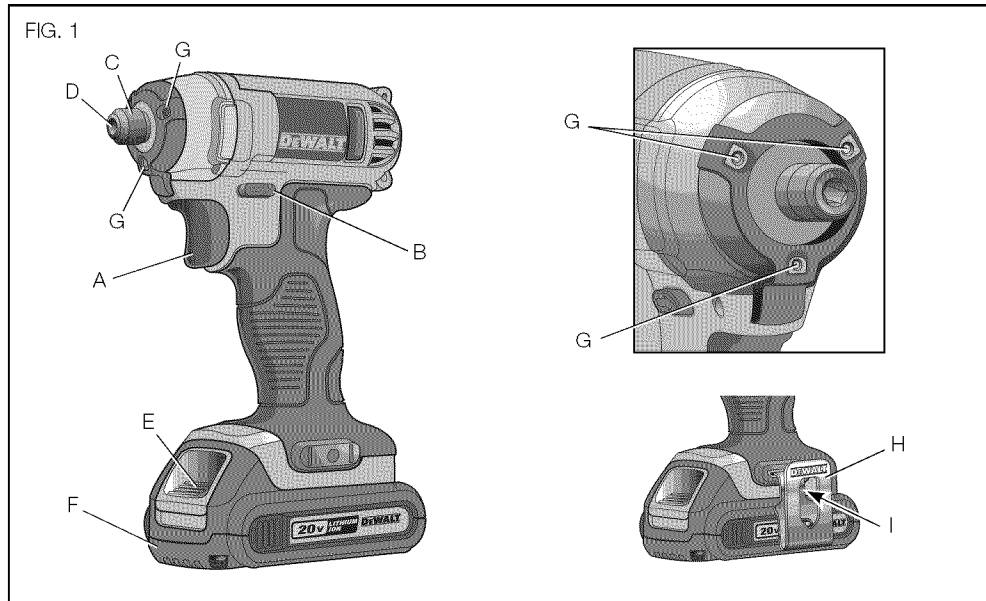


FIG. 2



FIG. 3

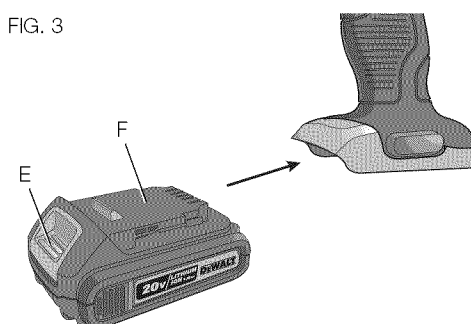


FIG. 4

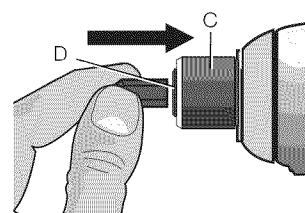
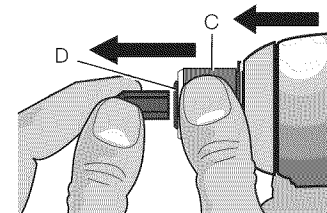


FIG. 5



To install the battery pack (F) into the tool handle, align the battery pack with the rails inside the tool's handle and slide it into the handle until the battery pack is firmly seated in the tool and ensure that it does not disengage.

To remove the battery pack from the tool, press the release button (E) and firmly pull the battery pack out of the tool handle. Insert it into the charger as described in the charger section of this manual.

Variable Speed Trigger Switch (Fig. 1)

To turn the tool on, squeeze the trigger switch (A). To turn the tool off, release the trigger switch. Your tool is equipped with a brake. The chuck will stop when the trigger switch is fully released. The variable speed switch enables you to select the best speed for a particular application. The more you squeeze the trigger, the faster the tool will operate. For maximum tool life, use variable speed only for starting holes or fasteners.

NOTE: Continuous use in variable speed range is not recommended. It may damage the switch and should be avoided.

Forward/Reverse Control Button (Fig. 1)

A forward/reverse control button (B) determines the direction of the tool and also serves as a lock-off button.

To select forward rotation, release the trigger switch and depress the forward/reverse control button on the right side of the tool.

To select reverse, release the trigger switch and depress the forward/reverse control button on the left side of the tool.

The center position of the control button locks the tool in the OFF position. When changing the position of the control button, be sure the trigger is released.

NOTE: The first time the tool is run after changing the direction of rotation, you may hear a click on start up. This is normal and does not indicate a problem.

Worklights (Fig. 1)

There are three worklights (G) located around the chuck collar (C). The worklights are activated when the trigger switch is depressed, and will automatically turn off 20 seconds after the trigger switch is released. If the trigger switch remains depressed, the worklights will remain on.

NOTE: The worklights are for lighting the immediate work surface and are not intended to be used as a flashlight.

Quick-Release Chuck (Fig. 1, 4, 5)

NOTE: The chuck accepts 1/4" (6.35 mm) hex accessories and 1" (25.4 mm) bit tips only.

Place the forward/reverse button (B) in the lock-off (center) position or remove battery pack before changing accessories.

To install an accessory, fully insert the accessory. The accessory is locked into place (Fig. 4).

To remove an accessory, pull the chuck collar (C) away from the front of the tool. Remove the accessory (Fig. 5).

Usage

Your impact tool can generate the following maximum torque:

Cat #	Ft.-Lbs.	In.-Lbs.	Nm
DCF885	117	1400	155

▲CAUTION: Ensure fastener and/or system will withstand the level of torque generated by the tool. Excessive torque may cause breakage and possible personal injury.

1. Place the socket on the fastener head. Keep the tool pointed straight at the fastener.
2. Press switch to start operation. Release switch to stop operation. Always check torque with a torque wrench, as the fastening torque is affected by many factors including the following:
 - **Voltage:** Low voltage, due to a nearly discharged battery, will reduce fastening torque.
 - **Socket size:** Failure to use the correct socket size will cause a reduction in fastening torque.
 - **Bolt size:** Larger bolt diameters generally require higher fastening torque. Fastening torque will also vary according to length, grade, and torque coefficient.
 - **Bolt:** Ensure that all threads are free of rust and other debris to allow proper fastening torque.
 - **Material:** The type of material and surface finish of the material will affect fastening torque.
 - **Fastening time:** Longer fastening time results in increased fastening torque. Using a longer fastening time than recommended could cause the fasteners to be overstressed, stripped or damaged.

MAINTENANCE

▲WARNING: To reduce the risk of serious personal injury, place the forward/reverse button in the lock-off position or turn tool off and disconnect battery pack before making any adjustments or removing/installing attachments or accessories.

Cleaning

▲WARNING: Blow dirt and dust out of all air vents with clean, dry air at least once a week. To minimize the risk of eye injury, always wear ANSI Z87.1 approved eye protection when performing this.

▲WARNING: Never use solvents or other harsh chemicals for cleaning the non-metallic parts of the tool. These chemicals may weaken the plastic materials used in these parts. Use a cloth dampened only with water and mild soap. Never let any liquid get inside the tool; never immerse any part of the tool into a liquid.

CHARGER CLEANING INSTRUCTIONS

▲WARNING: Shock hazard. Disconnect the charger from the AC outlet before cleaning. Dirt and grease may be removed from the exterior of the charger using a cloth or soft non-metallic brush. Do not use water or any cleaning solutions.

Accessories

▲WARNING: Since accessories, other than those offered by DEWALT, have not been tested with this product, use of such accessories with this tool could be hazardous. To reduce the risk of injury, only DEWALT recommended accessories should be used with this product.

Recommended accessories for use with your tool are available at extra cost from your local service center. If you need any assistance in locating any accessory, please contact DEWALT Industrial Tool Co., 701 East Joppa Road, Baltimore, MD 21286, call 1-800-4-DEWALT (1-800-433-9258) or visit our website: www.dewalt.com.

▲WARNING: To reduce the risk of injury, use only DEWALT impact-ready accessories.

▲CAUTION: Use only impact sockets. Non-impact sockets may break and cause a hazardous condition. Inspect socket prior to use to ensure that it contains no cracks.

Repairs

The charger and battery pack are not serviceable. There are no serviceable parts inside the charger or battery pack.

To assure product SAFETY and RELIABILITY, repairs, maintenance and adjustments (including brush inspection and replacement) should be performed by a DEWALT factory service center, a DEWALT authorized service center or other qualified service personnel. Always use identical replacement parts.

Three Year Limited Warranty

DEWALT will repair, without charge, any defects due to faulty materials or workmanship for three years from the date of purchase. This warranty does not cover part failure due to normal wear or tool abuse. For further detail of warranty coverage and warranty repair information, visit www.dewalt.com or call 1-800-4-DEWALT (1-800-433-9258). This warranty does not apply to accessories or damage caused where repairs have been made or attempted by others. This warranty gives you specific legal rights and you may have other rights which vary in certain states or provinces.

In addition to the warranty, DEWALT tools are covered by our:

1 YEAR FREE SERVICE

DEWALT will maintain the tool and replace worn parts caused by normal use, for free, any time during the first year after purchase.

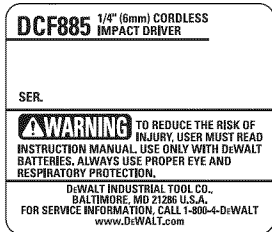
2 YEARS FREE SERVICE ON DEWALT BATTERY PACKS
DC9071, DC9091, DC9096, DC9280, DC9360, DC9180 and DCB200

90 DAY MONEY BACK GUARANTEE

If you are not completely satisfied with the performance of your DeWALT Power Tool, Laser, or Nailer for any reason, you can return it within 90 days from the date of purchase with a receipt for a full refund – no questions asked.

LATIN AMERICA: This warranty does not apply to products sold in Latin America. For products sold in Latin America, see country specific warranty information contained in the packaging, call the local company or see website for warranty information.

FREE WARNING LABEL REPLACEMENT: If your warning labels become illegible or are missing, call 1-800-4-DeWALT (1-800-433-9258) for a free replacement.



Définitions : lignes directrices en matière de sécurité

Les définitions ci-dessous décrivent le niveau de danger pour chaque mot-indicateur employé. Lire le mode d'emploi et porter une attention particulière à ces symboles.

▲DANGER : indique une situation dangereuse imminente qui, si elle n'est pas évitée, entraînera la mort ou des blessures graves

▲AVERTISSEMENT : indique une situation potentiellement dangereuse qui, si elle n'est pas évitée, pourrait entraîner la mort ou des blessures graves

▲ATTENTION : indique une situation potentiellement dangereuse qui, si elle n'est pas évitée, pourrait entraîner des blessures légères ou modérées.

AVIS : Indique une pratique ne posant aucun risque de dommages corporels mais qui par contre, si rien n'est fait pour l'éviter, pourrait poser des risques de dommages matériels.

POUR TOUTE QUESTION OU REMARQUE AU SUJET DE CET OUTIL OU DE TOUT AUTRE OUTIL DeWALT, COMPOSEZ LE NUMÉRO SANS FRAIS : **1-800-4-DeWALT (1-800-433-9258)**.

▲AVERTISSEMENT : afin de réduire le risque de blessures, lire le mode d'emploi de l'outil.

Avertissements de sécurité généraux pour les outils électriques

▲AVERTISSEMENT! Lire tous les avertissements de sécurité et toutes les directives. Le non-respect des avertissements et des directives pourrait se solder par un choc électrique, un incendie et/ou une blessure grave.

CONSERVER TOUS LES AVERTISSEMENTS ET TOUTES LES DIRECTIVES POUR UN USAGE ULTÉRIEUR

Le terme « outil électrique » cité dans les avertissements se rapporte à votre outil électrique à alimentation sur secteur (avec fil) ou par piles (sans fil).

1) SÉCURITÉ DU LIEU DE TRAVAIL

- Tenir l'aire de travail propre et bien éclairée.** Les lieux encombrés ou sombres sont propices aux accidents.
- Ne pas faire fonctionner d'outils électriques dans un milieu déflagrant, tel qu'en présence de liquides, de gaz ou de poussières inflammables.** Les outils électriques produisent des étincelles qui pourraient enflammer la poussière ou les vapeurs.
- Éloigner les enfants et les personnes à proximité pendant l'utilisation d'un outil électrique.** Une distraction pourrait en faire perdre la maîtrise à l'utilisateur.

2) SÉCURITÉ EN MATIÈRE D'ÉLECTRICITÉ

- Les fiches des outils électriques doivent correspondre à la prise. Ne jamais modifier la fiche d'aucune façon. Ne jamais utiliser de fiche d'adaptation avec un outil électrique mis à la terre.** Le risque de choc électrique sera réduit par l'utilisation de fiches non modifiées correspondant à la prise.
- Éviter tout contact physique avec des surfaces mises à la terre comme des tuyaux, des radiateurs, des cuisinières et des réfrigérateurs.** Le risque de choc électrique est plus élevé si votre corps est mis à la terre.
- Ne pas exposer les outils électriques à la pluie ou à l'humidité.** La pénétration de l'eau dans un outil électrique augmente le risque de choc électrique.
- Ne pas utiliser le cordon de façon abusive. Ne jamais utiliser le cordon pour transporter, tirer ou débrancher un outil électrique. Tenir le cordon éloigné de la chaleur, de l'huile, des bords tranchants et des pièces mobiles.** Les cordons endommagés ou enchevêtrés augmentent les risques de choc électrique.
- Pour l'utilisation d'un outil électrique à l'extérieur, se servir d'une rallonge convenant à cette application.** L'utilisation d'une rallonge conçue pour l'extérieur réduira les risques de choc électrique.
- S'il est impossible d'éviter l'utilisation d'un outil électrique dans un endroit humide, brancher l'outil dans une prise ou sur un circuit d'alimentation dotés d'un disjoncteur de fuite à la terre (GFCI).** L'utilisation de ce type de disjoncteur réduit les risques de choc électrique.

3) SÉCURITÉ PERSONNELLE

- Être vigilant, surveiller le travail effectué et faire preuve de jugement lorsqu'un outil électrique est utilisé. Ne pas utiliser d'outil électrique en cas de fatigue ou sous l'influence de drogues, d'alcool ou de médicaments.** Un simple moment d'inattention en utilisant un outil électrique peut entraîner des blessures corporelles graves.
- Utiliser des équipements de protection individuelle. Toujours porter une protection oculaire.** L'utilisation d'équipements de protection comme un masque antipoussière, des chaussures antidérapantes, un casque de sécurité ou des protecteurs auditifs lorsque la situation le requiert réduira les risques de blessures corporelles.
- Empêcher les démarrages intempestifs. S'assurer que l'interrupteur se trouve à la position d'arrêt avant de relier l'outil à une source d'alimentation et/ou d'insérer un bloc-piles, de ramasser ou de transporter l'outil.** Transporter un outil électrique alors que le doigt repose sur l'interrupteur ou brancher un outil électrique dont l'interrupteur est à la position de marche risque de provoquer un accident.
- Retirer toute clé de réglage ou clé avant de démarrer l'outil.** Une clé ou une clé de réglage attachée à une partie pivotante de l'outil électrique peut provoquer des blessures corporelles.
- Ne pas trop tendre les bras. Conserver son équilibre en tout temps.** Cela permet de mieux maîtriser l'outil électrique dans les situations imprévues.
- S'habiller de manière appropriée. Ne pas porter de vêtements amples ni de bijoux. Garder les cheveux, les vêtements et les gants à l'écart des pièces mobiles.** Les vêtements amples, les bijoux ou les cheveux longs risquent de rester coincés dans les pièces mobiles.
- Si des composants sont fournis pour le raccordement de dispositifs de dépolluissage et de ramassage, s'assurer que ceux-ci sont bien raccordés et utilisés.** L'utilisation d'un dispositif de dépolluissage peut réduire les dangers engendrés par les poussières.

4) UTILISATION ET ENTRETIEN D'UN OUTIL ÉLECTRIQUE

- Ne pas forcer un outil électrique. Utiliser l'outil électrique approprié à l'application.** L'outil électrique approprié effectuera un meilleur travail, de façon plus sûre et à la vitesse pour laquelle il a été conçu.
- Ne pas utiliser un outil électrique dont l'interrupteur est défectueux.** Tout outil électrique dont l'interrupteur est défectueux est dangereux et doit être réparé.
- Débrancher la fiche de la source d'alimentation et/ou du bloc-piles de l'outil électrique avant de faire tout réglage ou changement d'accessoire ou avant de ranger l'outil.** Ces mesures préventives réduisent les risques de démarrage accidentel de l'outil électrique.
- Ranger les outils électriques hors de la portée des enfants et ne permettre à aucune personne n'étant pas familière avec un outil électrique ou son mode d'emploi d'utiliser cet outil.** Les outils électriques deviennent dangereux entre les mains d'utilisateurs inexpérimentés.
- Entretien des outils électriques. Vérifier si les pièces mobiles sont mal alignées ou coincées, si des pièces sont brisées ou présentent toute autre condition susceptible de nuire au bon fonctionnement de l'outil électrique. En cas de dommage, faire réparer l'outil électrique avant toute nouvelle utilisation.** Beaucoup d'accidents sont causés par des outils électriques mal entretenus.
- S'assurer que les outils de coupe sont aiguisés et propres.** Les outils de coupe bien entretenus et affûtés sont moins susceptibles de se coincer et sont plus faciles à maîtriser.
- Utiliser l'outil électrique, les accessoires, les forets, etc. conformément aux présentes directives en tenant compte des conditions de travail et du travail à effectuer.** L'utilisation d'un outil électrique pour toute opération autre que celle pour laquelle il a été conçu est dangereuse.

5) UTILISATION ET ENTRETIEN DU BLOC-PILES

- Ne recharger l'outil qu'au moyen du chargeur précisé par le fabricant.** L'utilisation d'un chargeur qui convient à un type de bloc-piles risque de provoquer un incendie s'il est utilisé avec un autre type de bloc-piles.
- Utiliser les outils électriques uniquement avec les bloc-piles conçus à cet effet.** L'utilisation de tout autre bloc-piles risque de causer des blessures ou un incendie.
- Lorsque le bloc-piles n'est pas utilisé, le tenir éloigné des objets métalliques, notamment des trombones, de la monnaie, des clés, des clous, des vis ou autres petits objets métalliques qui peuvent établir une connexion entre les deux bornes.** Le court-circuit des bornes du bloc-piles risque de provoquer des brûlures ou un incendie.
- En cas d'utilisation abusive, le liquide peut gicler hors du bloc-piles; éviter tout contact avec ce liquide. Si un contact accidentel se produit, laver à grande eau. Si le liquide entre en contact avec les yeux, obtenir également des soins médicaux.** Le liquide qui giclé hors du bloc-piles peut provoquer des irritations ou des brûlures.

6) RÉPARATION

- Faire réparer l'outil électrique par un réparateur professionnel en n'utilisant que des pièces de rechange identiques.** Cela permettra de maintenir une utilisation sécuritaire de l'outil électrique.

Règles particulières de sécurité additionnelles

- Tenir l'outil par les surfaces isolées prévues à cet effet pendant toute utilisation où l'attache pourrait entrer en contact avec des fils électriques cachés.** Tout contact par ces attaches avec un fil sous tension mettra les parties métalliques exposées de l'outil sous tension et électrocutera l'utilisateur.
- Utiliser des serre-joints ou tout autre moyen pour fixer et immobiliser le matériau sur une surface stable.** Tenir la pièce à la main ou contre son corps offre une stabilité insuffisante qui pourrait vous en faire perdre le contrôle.
- Porter des lunettes de protection ou toute autre protection oculaire.** Le martelage et le perçage peuvent faire voltiger des éclats. Ces particules volantes pourraient occasionner des dommages oculaires permanents.

- Les mèches, les douilles et l'outil peuvent devenir brûlants au toucher pendant l'utilisation.** Porter des gants avant tout contact.

- Prendre des précautions à proximité des événements, car ils cachent des pièces mobiles.** Vêtements amples, bijoux ou cheveux longs risquent de rester coincés dans ces pièces mobiles.
- Ne pas utiliser cet outil de façon prolongée.** Les vibrations causées par l'outil peuvent poser des risques pour les mains ou les bras. Porter des gants pour amortir les vibrations, et pour limiter les risques, faire des pauses fréquentes.

▲AVERTISSEMENT : TOUJOURS porter des lunettes de sécurité. Les lunettes de vue ne constituent PAS des lunettes de sécurité. Utiliser également un masque facial ou anti-poussière si l'opération de découpe génère de la poussière. TOUJOURS UTILISER DE L'EQUIPEMENT DE PROTECTION HOMOLOGUÉ :

- protection oculaire conforme à la norme ANSI Z87.1 (CAN/CSA Z94.3),
- protection auditive conforme à la norme ANSI S12.6 (S3.19) et
- protection des voies respiratoires conformes aux normes NIOSH/OSHA/MSHA.

▲AVERTISSEMENT : les scies, meules, ponceuses, perceuses ou autres outils de construction peuvent produire des poussières contenant des produits chimiques reconnus par l'État californien pour causer cancers, malformations congénitales ou être nocifs au système reproducteur. Parmi ces produits chimiques, on retrouve :

- Le plomb dans les peintures à base de plomb;
- La silice cristallisée dans les briques et le ciment, ou autres produits de maçonnerie; et
- L'arsenic et le chrome dans le bois ayant subi un traitement chimique.

Le risque associé à ces expositions varie selon la fréquence de ces types de travaux. Pour réduire l'exposition aux produits chimiques : travailler dans un local bien ventilé et utiliser du matériel de sécurité approuvé, comme les masques antipoussières spécialement conçus pour filtrer les particules microscopiques.

- Éviter le contact prolongé avec la poussière provenant du ponçage, du sciage, du meulage et du forage mécanique ainsi que d'autres activités de construction. Porter des vêtements de protection et laver les parties exposées au savon et à l'eau.** La poussière qui pourrait pénétrer dans la bouche et les yeux ou se déposer sur la peau peut favoriser l'absorption de produits chimiques nocifs.

▲AVERTISSEMENT : Cet outil peut produire et répandre de la poussière susceptible de causer des dommages sérieux et permanents au système respiratoire. Toujours utiliser un appareil respiratoire anti-poussières approuvé par le NIOSH ou l'OSHA. Diriger les particules dans le sens opposé du visage et du corps.

▲AVERTISSEMENT : TOUJOURS porter une protection auditive appropriée conformément à la norme ANSI S12.6 (S3.19) lors de l'utilisation du produit. Dans certaines conditions et selon la durée d'utilisation, le bruit émis par ce produit peut contribuer à une perte auditive.

▲ATTENTION : Après utilisation, ranger l'outil sur son côté sur une surface stable là où il ne pourra faire ni trébucher ni tomber personne. Certains outils équipés d'un large bloc-pile peuvent tenir à la verticale sur ce dernier mais ils sont alors facilement déstabilisés.

- L'étiquette apposée sur votre outil peut comprendre les symboles suivants. Les symboles et leurs définitions sont indiqués ci-après :

V.....volts	A.....ampères
Hz.....hertz	W.....watts
min.....minutes	~.....courant alternatif
==.....courant continu	∞.....courant alternatif ou continu
Ⓜ.....Classe I fabrication (mis à la terre)	n0.....vitesse à vide
Ⓛ.....fabrication Classe II (double isolation)	⊕.....borne de terre
.../min.....par minute	⚠.....symbole d'avertissement
IPM.....impacts par minute	BPM.....battements par minute
	r/min.....tours par minute

Consignes de sécurité importantes propres à tous les blocs-piles

Pour commander un bloc-piles de rechange, s'assurer d'inclure son numéro de catalogue et sa tension. Consulter le tableau en dernière page de ce manuel pour connaître les compatibilités entre chargeurs et blocs-piles.

Le bloc-piles n'est pas totalement chargé d'usine. Avant d'utiliser le bloc-piles et le chargeur, lire les consignes de sécurité ci-dessous. Puis suivre la procédure de charge indiquée.

LIRE TOUTES LES CONSIGNES

- Ne pas recharger ou utiliser un bloc-piles en milieu déflagrant, en présence, par exemple, de poussières, gaz ou liquides inflammables.** Le fait d'insérer ou retirer un bloc-piles de son chargeur pourrait causer l'inflammation de poussières ou d'émanations.
- NE JAMAIS forcer l'insertion d'un bloc-piles dans un chargeur. NE modifier un bloc-piles d'AUCUNE façon pour le faire rentrer dans un chargeur incompatible, car il pourrait se briser et causer des dommages corporels graves.** Consulter le tableau en dernière page de ce manuel pour connaître les compatibilités entre chargeurs et blocs-piles.
- Recharger les blocs-piles exclusivement dans des chargeurs DeWALT.
- NE PAS** éclabousser le bloc-piles ou l'immerger dans l'eau ou dans tout autre liquide.
- Ne pas entreposer ou utiliser l'appareil et le bloc-piles en présence de températures ambiantes pouvant excéder 40 °C (105 °F) (comme dans des hangars ou des bâtiments métalliques l'été).** Pour préserver leur durée de vie, entreposer les blocs-piles dans un endroit frais et sec.

REMARQUE : ne pas mettre un bloc-piles dans un outil dont la gâchette est verrouillée en position de marche. Ne jamais bloquer l'interrupteur en position de MARCHE.

▲AVERTISSEMENT : risques d'incendie. Ne jamais tenter d'ouvrir le bloc-piles pour quelque raison que ce soit. Si le boîtier du bloc-piles est fissuré ou endommagé, ne pas l'insérer dans un chargeur. Ne pas écraser, laisser tomber, ou endommager les blocs-piles. Ne pas utiliser un bloc-piles ou un chargeur qui a reçu un choc violent, ou si l'appareil est tombé, a été écrasé ou endommagé de quelque façon que ce soit (p. ex. percé par un clou, frappé d'un coup de marteau, piétiné). Les blocs-piles endommagés doivent être renvoyés à un centre de réparation pour y être recyclés.

▲AVERTISSEMENT : risques d'incendie. Au moment de ranger ou transporter le bloc-piles, s'assurer qu'aucun objet métallique n'entre en contact avec les bornes à découvert du bloc-piles. Par exemple, éviter de placer un bloc-piles dans un tablier, une poche, une boîte à outils ou un tiroir, etc. contenant des objets tels que des clous, des vis, des clés, etc. **Le fait de transporter des bloc-piles comporte des risques d'incendie, car les bornes des piles pourraient entrer, par inadvertance, en contact avec des objets conducteurs, tels que : clés, pièces de monnaie, outils ou autres.** La réglementation sur les produits dangereux (Hazardous Material Regulations) du département américain des transports interdit, en fait, le transport des piles pour le commerce ou dans les avions (ex : dans les bagages enregistrés ou à main) À MOINS qu'elles ne soient correctement protégées contre tout court-circuit. Aussi lors du transport individuel de blocs-piles, s'assurer que leurs bornes sont bien protégées et isolées de tout matériau pouvant entrer en contact avec elles et provoquer un court-circuit.

CONSIGNES DE SÉCURITÉ PROPRES AUX PILES AU LITHIUM-ION (Li-Ion)

- Ne pas incinérer le bloc-piles même s'il est sévèrement endommagé ou complètement usagé,** car il pourrait exploser et causer un incendie. Pendant l'incinération des blocs-piles au lithium-ion, des vapeurs et matières toxiques sont dégagées.
- En cas de contact du liquide de la pile avec la peau, rincer immédiatement au savon doux et à l'eau.** En cas de contact oculaire, rincer l'œil ouvert à l'eau claire une quinzaine de minutes ou jusqu'à ce que l'irritation cesse. Si des soins médicaux s'avéraient nécessaires, noter que l'électrolyte de la pile est composé d'un mélange de carbonates organiques liquides et de sels de lithium.
- Le contenu des cellules d'une pile ouverte peut causer une irritation respiratoire.** En cas d'inhalation, exposer l'individu à l'air libre. Si les symptômes persistent, consulter un médecin.

▲AVERTISSEMENT : risques de brûlure. Le liquide de la pile peut s'enflammer s'il est exposé à des étincelles ou à une flamme.

Le sceau SRPRC^{MC}

Le sceau SRPRC^{MC} (Société de recyclage des piles rechargeables au Canada) apposé sur une pile au nickel-cadmium, à hydrure métallique de nickel ou au lithium-ion (ou un bloc-piles) indique que les coûts de recyclage de ces derniers en fin d'utilisation ont déjà été réglés par DeWALT. Dans certaines régions, la mise au rebut ou aux ordures municipales des piles au nickel-cadmium, à l'hydrure métallique de nickel ou au lithium-ion, est illégale ; le programme de SRPRC constitue donc une solution pratique et écologique.

La SRPRC^{MC}, en collaboration avec DeWALT et d'autres utilisateurs de piles, a mis sur pied des programmes aux États-Unis et au Canada pour faciliter la collecte des piles au nickel-cadmium, à l'hydrure métallique de nickel ou au lithium-ion usagées. Aidez-nous à protéger l'environnement et à conserver nos ressources naturelles en renvoyant les piles au nickel-cadmium, à l'hydrure métallique de nickel ou au lithium-ion usagées à un centre de réparation autorisé DeWALT ou chez votre détaillant afin qu'elles y soient recyclées. On peut en outre se renseigner auprès d'un centre de recyclage local pour connaître d'autres sites les acceptant.

SRPRC^{MC} est une marque déposée de la Société de recyclage des piles rechargeables au Canada.



Directives de sécurité importantes propres à tous les chargeurs de piles

CONSERVER CES INSTRUCTIONS : ce manuel contient des directives de sécurité et d'utilisation importantes propres aux chargeurs de piles.

- Avant d'utiliser le chargeur, lire toute consigne et tout avertissement apposés sur le chargeur, le bloc-piles et le produit utilisant le bloc-piles.

▲AVERTISSEMENT : risques de chocs électriques. Ne laisser aucun liquide pénétrer dans le chargeur, des chocs électriques pourraient en résulter.

▲ATTENTION : risques de brûlure. Pour réduire tout risque de dommages corporels, ne recharger que des blocs-piles rechargeables DeWALT. Tout autre type de piles pourrait exploser et causer des dommages corporels et matériels.

AVIS : sous certaines conditions, lorsque le chargeur est connecté au bloc d'alimentation, des matériaux étrangers pourraient court-circuiter le chargeur. Les corps étrangers conducteurs tels que (mais pas limité à) poussières de rectification, débris métalliques, laine d'acier, feuilles d'aluminium, ou toute accumulation de particules métalliques doivent être maintenus à distance des orifices du chargeur. Débrancher systématiquement le chargeur lorsque le bloc-piles n'y est pas inséré. Débrancher systématiquement le chargeur avant tout entretien.

- NE PAS tenter de charger de bloc-piles avec des chargeurs autres que ceux décrits dans ce manuel.** Le chargeur et son bloc-piles ont été conçus tout spécialement pour fonctionner ensemble.
- Ces chargeurs n'ont pas été conçus pour une utilisation autre que recharger les blocs-piles rechargeables DeWALT.** Toute autre utilisation comporte des risques d'incendie, de chocs électriques ou d'électrocution.
- Protéger le chargeur de la pluie ou de la neige.**
- Tirer sur la fiche plutôt que sur le cordon pour débrancher le chargeur.** Cela permet de réduire les risques d'endommager la fiche ou le cordon d'alimentation.
- S'assurer que le cordon est protégé de manière à ce que personne ne marche ni ne trébuché dessus, ou à ce qu'il ne soit ni endommagé ni soumis à aucune tension.**
- N'utiliser une rallonge qu'en cas de nécessité absolue.** L'utilisation d'une rallonge inadéquate comporte des risques d'incendie, de chocs électriques ou d'électrocution.
- Pour utiliser un chargeur à l'extérieur, le placer dans un endroit sec et utiliser une rallonge conçue pour l'extérieur.** L'utilisation d'une rallonge conçue pour l'extérieur réduit les risques de chocs électriques.
- Pour la sécurité de l'utilisateur, utiliser une rallonge de calibre adéquat (AWG, American Wire Gauge [calibrage américain normalisé des fils électriques]).** Plus le calibre est petit, et plus sa capacité est grande. Un calibre 16, par exemple, a une capacité

Para hacer efectiva esta garantía deberá presentar su herramienta y esta póliza sellada por el establecimiento comercial donde se adquirió el producto, de no contar con ésta, bastará la factura de compra.

EXCEPCIONES

Esta garantía no será válida en los siguientes casos:

- Cuando el producto se hubiese utilizado en condiciones distintas a las normales;
- Cuando el producto no hubiese sido operado de acuerdo con el instructivo de uso que se acompaña;
- Cuando el producto hubiese sido alterado o reparado por personas distintas a las enlistadas al final de este certificado.

Anexo encontrará una relación de sucursales de servicio de fábrica, centros de servicio autorizados y franquiciados en la República Mexicana, donde podrá hacer efectiva su garantía y adquirir partes, refacciones y accesorios originales.

Garantía limitada por tres años

DEWALT reparará, sin cargo, cualquier falla que surja de defectos en el material o la fabricación del producto, por hasta tres años a contar de la fecha de compra. Esta garantía no cubre fallas de las piezas causadas por su desgaste normal o abuso a la herramienta. Para mayores detalles sobre la cobertura de la garantía e información acerca de reparaciones realizadas bajo garantía, visítenos en www.dewalt.com o diríjase al centro de servicio más cercano. Esta garantía no aplica a accesorios o a daños causados por reparaciones realizadas o intentadas por terceros. Esta garantía le otorga derechos legales específicos, además de los cuales puede tener otros dependiendo del estado o la provincia en que se encuentre.

Además de la garantía, las herramientas DEWALT están cubiertas por:

1 AÑO DE SERVICIO GRATUITO

DEWALT mantendrá la herramienta y reemplazará las piezas gastadas por su uso normal, sin cobro, en cualquier momento durante un año a contar de la fecha de compra. Los artículos gastados por la clavadora, tales como la unidad de hoja y retorno del impulsador, no están cubiertas.

2 AÑOS DE SERVICIO GRATUITO PARA UNIDADES DE ALIMENTACIÓN DEWALT

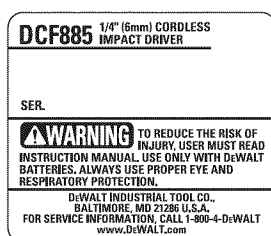
DC9071, DC9091, DC9096, DC9280, DC9360, DC9180, y DCB200

GARANTÍA DE REEMBOLSO DE SU DINERO POR 90 DÍAS

Si no está completamente satisfecho con el desempeño de su máquina herramienta, láser o clavadora DEWALT, cualquiera sea el motivo, podrá devolverlo hasta 90 días de la fecha de compra con su recibo y obtener el reembolso completo de su dinero – sin necesidad de responder a ninguna pregunta.

AMÉRICA LATINA: Esta garantía no se aplica a los productos que se venden en América Latina. Para los productos que se venden en América Latina, debe consultar la información de la garantía específica del país que viene en el empaque, llamar a la compañía local o visitar el sitio Web a fin de obtener esa información.

REEMPLAZO GRATUITO DE LAS ETIQUETAS DE ADVERTENCIAS: Si sus etiquetas de advertencia se vuelven ilegibles o faltan, llame al 1-800-4-DEWALT (1-800-433-9258) para que se le reemplacen gratuitamente.



ESPECIFICACIONES

DCF885 20 V Máx* 0–2 800 RPM; 0–3 200 IPM

SOLAMENTE PARA PROPÓSITO DE MÉXICO:
 IMPORTADO POR: DEWALT S.A. DE C.V.
 BOSQUES DE CIDROS, ACCESO RADIATAS NO.42
 3A. SECCIÓN DE BOSQUES DE LAS LOMAS
 DELEGACIÓN CUAJIMALPA,
 05120, MÉXICO, D.F.
 TEL. (52) 555-326-7100
 R.F.C.: BDE810626-1W7

Para servicio y ventas consulte
"HERRAMIENTAS ELECTRICAS"
 en la sección amarilla.



Battery		Chargers/Charge Time (Minutes) – Chargeurs/Durée de charge (Minutes) – Cargadores de baterías/Tiempo de carga (Minutos)																				
		120 Volts								12 Volts												
Cat Number	Output Voltage	DW9106	DW9118	DW9107	DW9108	DW9116	DW9216	DW9117	DW911	DC011	DC022	DC9000	DC9310	DC9320	DCB100	DCB101	DW0246	DCB119	DW0249	DW9109	DC9319	
DC9360	36	X	X	X	X	X	X	X	X	X	X	X	X	X	X	X	X	X	X	X	X	X
DC9280	28	X	X	X	X	X	X	X	X	X	X	X	X	X	X	X	X	X	X	X	X	X
DW0242	24	X	X	X	X	X	X	X	X	X	X	X	X	X	X	X	60	X	60	X	X	X
DC9096	18	X	X	X	X	60	60	20	60	60	60	60	60	60	X	X	X	X	X	X	60	60
DC9099	18	X	X	X	X	45	45	15	45	45	45	45	45	45	X	X	X	X	X	45	45	45
DC9180	18	X	X	X	X	X	X	X	X	X	X	X	X	X	X	X	X	X	X	X	X	60
DC9181	18	X	X	X	X	X	X	X	X	X	X	X	X	X	X	X	X	X	X	X	X	30
DCB200	20	X	X	X	X	X	X	X	X	X	X	X	X	X	X	60	X	90	X	X	X	X
DCB201	20	X	X	X	X	60	60	20	60	60	60	60	60	60	X	X	X	45	X	X	X	X
DW9096	18	X	X	X	X	30	30	12	30	30	30	30	30	30	X	X	X	X	X	30	60	60
DW9098	18	X	X	X	X	45	45	15	45	45	45	45	45	45	X	X	X	X	X	45	30	30
DW9099	18	X	X	X	X	60	60	20	60	60	60	60	60	60	X	X	X	X	X	60	60	60
DC9091	14.4	90	115	60	60	60	60	20	60	60	60	60	60	60	X	X	X	X	X	60	60	60
DC9094	14.4	60	90	45	45	45	45	15	45	45	45	45	45	45	X	X	X	X	X	45	45	45
DW9091	14.4	60	90	45	45	45	45	15	45	45	45	45	45	45	X	X	X	X	X	45	45	45
DW9094	14.4	45	60	30	30	30	30	12	30	30	30	30	30	30	X	X	X	X	X	30	30	30
DCB120	12	X	X	X	X	X	X	X	X	X	X	X	X	X	X	40	X	40	X	X	X	X
DC9071	12	90	115	60	60	60	60	20	60	60	60	60	60	60	X	X	X	X	X	60	60	60
DW9050	12	40	40	X	X	X	X	X	X	X	X	X	X	X	X	X	X	X	X	X	X	X
DW9071	12	60	90	45	45	45	45	15	45	45	45	45	45	45	X	X	X	X	X	45	45	45
DW9072	12	45	60	30	30	30	30	12	30	30	30	30	30	30	X	X	X	X	X	30	30	30
DW9048	9.6	40	40	X	X	X	X	X	X	X	X	X	X	X	X	X	X	X	X	X	X	X
DW9061	9.6	60	90	45	45	45	45	15	45	45	45	45	45	45	X	X	X	X	X	45	45	45
DW9062	9.6	45	60	30	30	30	30	12	30	30	30	30	30	30	X	X	X	X	X	30	30	30
DW9057	7.2	45	60	30	30	30	30	12	30	30	30	30	30	30	X	X	X	X	X	30	30	30

"X" Indicates that the battery pack is not compatible with that specific charger.

Una "X" indica que el paquete de baterías no es compatible con ese determinado cargador.

"X" indique que le bloc-piles n'est pas compatible avec ce chargeur.

All charge times are approximate. Actual charge time may vary. Read the instruction manual for more specific information.

Les durées de charge sont approximatives; la durée de charge réelle peut varier. Lire le manuel d'utilisation pour obtenir des renseignements plus précis.

El tiempo de duración de carga es aproximado; la duración de instrucciones para obtener información más precisa.

* Maximum initial battery voltage (measured without a workload) is 20 volts. Nominal voltage is 18.

* La tension initiale maximum du bloc-piles (mesurée à vide) est de 20 volts. La tension nominale est de 18.

* El máximo voltaje inicial de la batería (medido sin carga de trabajo) es 20 voltios. El voltaje nominal es de 18.