

Use & Care Guide  
Manual de Uso y Cuidado  
English / Español

Model/Modelo: 148.23683310  
Item / Artículo: 640-05057387-2



# Kenmore®



# Liquid Propane Gas Grill

# Parrilla de LP Gas

P/N RB2818T-Manual  
Sears Brands Management Corporation  
Hoffman Estates, IL 60179 U.S.A.  
[www.kenmore.com](http://www.kenmore.com)  
[www.sears.com](http://www.sears.com)  
[www.kmart.com](http://www.kmart.com)



	<b>DANGER</b>	
<p>If you smell gas:</p> <ol style="list-style-type: none"> <li>1. Shut off gas to the appliance.</li> <li>2. Extinguish any open flame.</li> <li>3. Open lid.</li> <li>4. If odor continues, keep away from the appliance and immediately call your gas supplier or your fire department.</li> </ol>		

	<b>WARNING</b>	
<ol style="list-style-type: none"> <li>1. Do not store or use gasoline or other flammable liquids or vapors in the vicinity of this or any other appliance.</li> <li>2. An LP cylinder not connected for use shall not be stored in the vicinity of this or any other appliance.</li> </ol>		



### Call Grill Service Center For Help And Parts

If you have questions or need assistance during assembly, please call **1-800-482-0131**. You will be speaking to a representative of the grill manufacturer and not a Sears employee. To order new parts call Sears at **1-800-4-MY-HOME**.

### Product Record

**IMPORTANT:** Fill out the product record information below.

<p>Model Number _____</p> <p>Serial Number _____ See rating label on grill for serial number.</p> <p>Date Purchased _____</p>
---



	<b>CAUTION</b>	
<p>For residential use only. Do not use for commercial cooking.</p>		



### Installation Safety Precautions



- Use grill, as purchased, only with LP (propane) gas and the regulator/valve assembly supplied. A conversion kit must be purchased for use with natural gas.
- Grill installation must conform with local codes, or in their absence of local codes, with either the *National Fuel Gas Code, ANSI Z223.1/NFPA 54, Natural Gas and Propane Installation Code, CSA B149.1, or Propane Storage and Handling Code, B149.2, or the Standard for Recreational Vehicles, ANSI A 119.2/NFPA 1192, and CSA Z240 RV Series, Recreational Vehicle Code, as applicable.*
- All electrical accessories (such as rotisserie) must be electrically grounded in accordance with local codes, or *National Electrical Code, ANSI / NFPA 70 or Canadian Electrical Code, CSA C22.1*. Keep any electrical cords and/or fuel supply hoses away from any hot surfaces.
- This grill is safety certified for use in the United States and/or Canada only. Do not modify for use in any other location. Modification will result in a safety hazard.

### Safety Symbols

The symbols and boxes shown below explain what each heading means. Read and follow all of the messages found throughout the manual.

	<b>DANGER</b>	
<p><b>DANGER:</b> Indicates an imminently hazardous situation which, if not avoided, will result in death or serious injury.</p>		

	<b>WARNING</b>	
<p><b>WARNING:</b> Indicates an potentially hazardous situation which, if not avoided, could result in death or serious injury.</p>		

	<b>CAUTION</b>	
<p><b>CAUTION:</b> Indicates a potentially hazardous situation or unsafe practice which, if not avoided, may result in minor or moderate injury.</p>		

## TABLE OF CONTENTS

For Your Safety.....	2
Grill Service Center.....	2
Product Record Information.....	2
Safety Symbols.....	2
Installation Safety Precautions.....	2
Kenmore Grill Warranty.....	3
Use and Care.....	4-11
Natural Gas Conversion Kit.....	12
Parts List.....	13
Parts Diagram.....	14
Assembly.....	15-27
Fold Out Buffet Table Instructions .....	28-30
Natural Gas Conversion Instructions.....	31-33
Troubleshooting.....	34-36

### Repair Protection Agreements

*Congratulations on making a smart purchase. Your new Kenmore® product is designed and manufactured for years of dependable operation. But like all products, it may require repair from time to time. That's when having a Repair Protection Agreement can save you money and aggravation. Purchase a Repair Protection Agreement now and protect yourself from unexpected hassle and expense.*

Here's what the Repair Protection Agreement includes:

- Expert service** by our 10,000 professional repair specialists
- Unlimited service and no charge** for parts and labor on all covered repairs
- Product replacement** up to \$1500 if your covered product can't be fixed
- Discount of 25%** from regular price of service and related installed parts not covered by the agreement; also, 25% off regular price of preventive maintenance check
- Fast help by phone** – we call it Rapid Resolution – phone support from a Sears representative. Think of us as a “talking owner's manual.”

Once you purchase the Repair Protection Agreement, a simple phone call is all that it takes for you to schedule service. You can call anytime day or night, or schedule a service appointment online.

The Repair Protection Agreement is a risk-free purchase. If you cancel for any reason during the product warranty period, we will provide a full refund. Or, a prorated refund anytime after the product warranty period expires. Purchase your Repair Protection Agreement today!

**Some limitations and exclusions apply.**

**For prices and additional information call 1-800-827-6655. Sears Installation Service**

For Sears professional installation of home appliances, garage door openers, water heaters, and other major home items, in the U.S.A. call **1-800-4-MY-HOME®**

## WARRANTY

### Kenmore One Year Limited Warranty

When installed, operated and maintained according to all supplied instructions, if this appliance fails due to a defect in material and workmanship within one year from the date of purchase, call 1-800-4-MY-HOME® to arrange for free repair or replacement if repair is unavailable.

For ten years from the date of purchase, any burner that rusts through will be replaced free of charge. After the first year from the date of purchase, you are responsible for the labor cost to have it installed.

All warranty coverage excludes ignitor batteries and grill part paint loss, discoloration or surface rusting, which are either expendable parts that can wear out from normal use within the warranty period, or are conditions that can be the result of normal use, accident or improper maintenance.

All warranty coverage is void if this product is ever used for other than private household purposes.

**This warranty covers only defects in material and workmanship. Sears will NOT pay for:**

1. Expendable items that can wear out from normal use within the warranty period, including but not limited to batteries, light bulbs and surface coatings or finishes.
2. A service technician to instruct the user in correct product installation, operation or maintenance.
3. A service technician to clean or maintain this product.
4. Damage to or failure of this product if it is not installed, operated or maintained according to the all instructions supplied with the product.
5. Damage to or failure of this product resulting from accident, abuse, misuse or use for other than its intended purpose.
6. Damage to or failure of this product caused by the use of detergents, cleaners, chemicals or utensils other than those recommended in all instructions supplied with the product.
7. Damage to or failure of parts or systems resulting from unauthorized modifications made to this product.

### Disclaimer of implied warranties; limitation of remedies

Customer's sole and exclusive remedy under this limited warranty shall be product repair as provided herein. Implied warranties, including warranties of merchantability or fitness for a particular purpose, are limited to one year or the shortest period allowed by law. Sears shall not be liable for incidental or consequential damages. Some states and provinces do not allow the exclusion or limitation of incidental or consequential damages, or limitation on the duration of implied warranties of merchantability or fitness, so these exclusions or limitations may not apply to you.

This warranty applies only while this appliance is used in the United States.

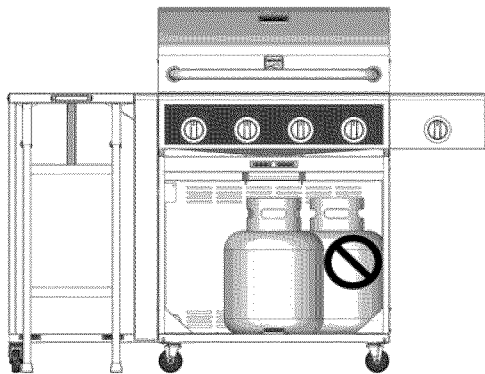
This warranty gives you specific legal rights, and you may also have other rights which vary from state to state.

**Sears Brands Management Corporation, Hoffman Estates, IL 60179**

## USE AND CARE



- **NEVER** store a spare LP cylinder under or near the grill appliance or in an enclosed area.

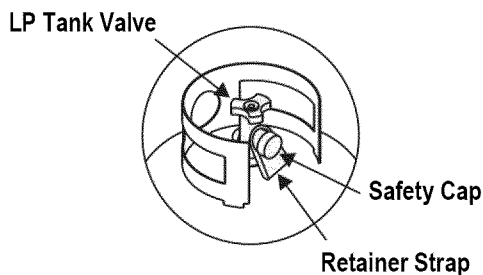


- **Never fill a cylinder beyond 80% full.**
- **If the information in the two points above is not followed exactly, a fire causing death or serious injury may occur.**
- **An over filled or improperly stored cylinder is a hazard due to possible gas release from the safety relief valve. This could cause an intense fire with risk of property damage, serious injury or death.**
- **If you see, smell or hear gas escaping, immediately get away from the LP cylinder and grill appliance and call your fire department.**

### LP Tank Removal, Transport and Storage

- Turn OFF all control knobs and LP tank valve. Turn coupling nut counterclockwise by hand only - do not use tools to disconnect. Lift LP tank wire upward off of LP tank collar, then lift LP tank up and off of support bracket. Install safety cap onto LP tank valve. Always use cap and strap supplied with valve.

**Failure to use safety cap as directed may result in serious personal injury and/or property damage.**



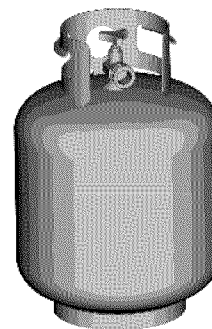
- A disconnected LP tank in storage or being transported must have a safety cap installed (as shown). Do not store an LP tank in enclosed spaces such as a carport, garage, porch, covered patio or other building. Never leave an LP tank inside a vehicle which may become overheated by the sun.
- Do not store an LP tank in an area where children play.

### LP Cylinder

- **The LP cylinder used with your grill must meet the following requirements:**
- Use LP cylinders only with these required measurements: 12" (30.5cm) (diameter) x 18" (45.7 cm) (tall) with 20 lb. (9 kg.) capacity maximum.
- LP cylinders must be constructed and marked in accordance with specifications for LP cylinders of the U.S. Department of Transportation (DOT) or for Canada, CAN/CSA-B339, cylinders, spheres and tubes for transportation of dangerous goods. Transport Canada (TC). See LP cylinder collar for marking.
- LP cylinder valve must have:
  - Type 1 outlet compatible with regulator or grill.
  - Safety relief valve.
  - UL listed Overfill Protection Device (OPD). This OPD safety feature is identified by a unique triangular hand wheel. **Use only LP cylinders equipped with this type of valve.**
- LP cylinder must be arranged for vapor withdrawal and include collar to protect LP cylinder valve. Always keep LP cylinders in upright position during use, transit or storage.



OPD Hand Wheel



LP cylinder in upright position for vapor withdrawal

### LP (Liquefied Petroleum Gas)

- LP gas is nontoxic, odorless and colorless when produced. **For Your Safety**, LP gas has been given an odor (similar to rotten cabbage) so that it can be smelled.
- LP gas is highly flammable and may ignite unexpectedly when mixed with air.

### LP Cylinder Filling

- Use only licensed and experienced dealers.
- LP dealer **must purge new cylinder** before filling.
- Dealer should **NEVER** fill LP cylinder more than 80% of LP cylinder volume. Volume of propane in cylinder will vary by temperature.
- A frosty regulator indicates gas overfill. Immediately close LP cylinder valve and call local LP gas dealer for assistance.
- Do not release liquid propane (LP) gas into the atmosphere. This is a hazardous practice.
- To remove gas from LP cylinder, contact an LP dealer or call a local fire department for assistance. Check the telephone directory under "Gas Companies" for nearest certified LP dealers.



## LP Tank Exchange

• Many retailers that sell grills offer you the option of replacing your empty LP tank through an exchange service. Use only those reputable exchange companies that inspect, precision fill, test and certify their cylinders. **Exchange your tank only for an OPD safety feature-equipped tank as described in the "LP Tank" section of this manual.**



• Always keep new and exchanged LP tanks in upright position during use, transit or storage.

• **Leak test new and exchanged LP tanks BEFORE connecting to grill.**

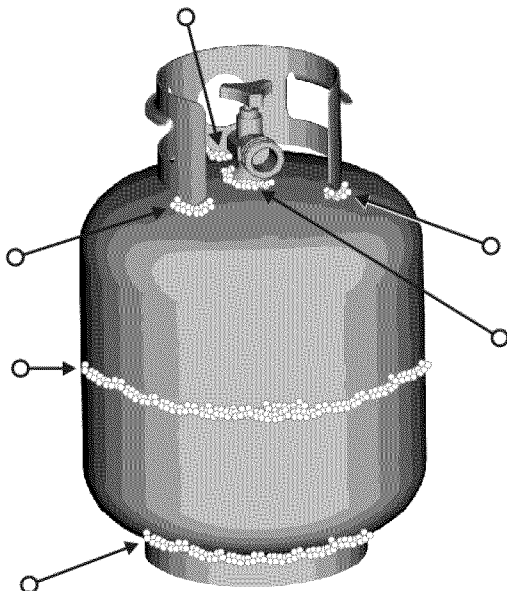
## LP Tank Leak Test

For your safety

- Leak test must be repeated each time LP tank is exchanged or refilled.
- Do not smoke during leak test.
- Do not use an open flame to check for gas leaks.
- Grill must be leak tested outdoors in a well-ventilated area, away from ignition sources such as gas fired or electrical appliances. During leak test, keep grill away from open flames or sparks.
- Use a clean paintbrush and a 50/50 mild soap and water solution. Brush soapy solution onto areas indicated by arrows in figure below. Leaks are indicated by growing bubbles.

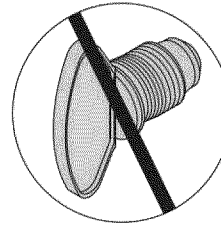
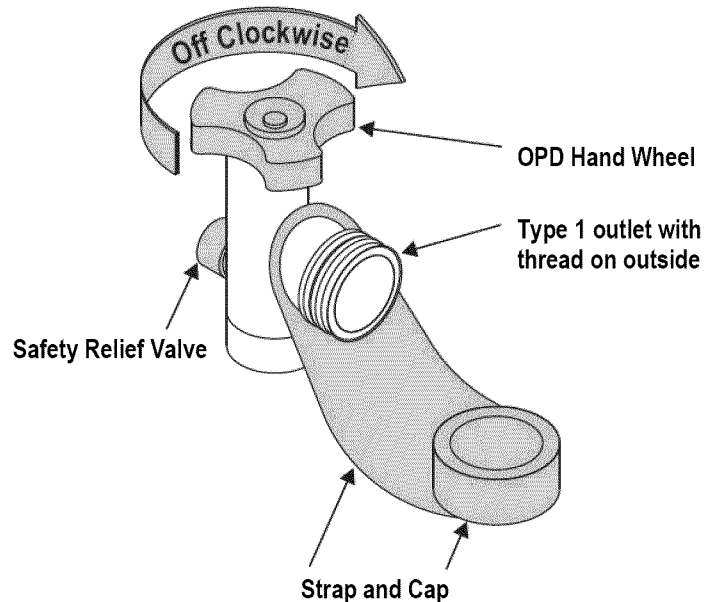
	<b>WARNING</b>	
If "growing" bubbles appear do not use or move the LP tank. Contact an LP gas supplier or your fire department!		

▲ **Do not use household cleaning agents.** Damage to gas train components (valve/hose/regulator) can result.



## Connecting Regulator To The LP Tank

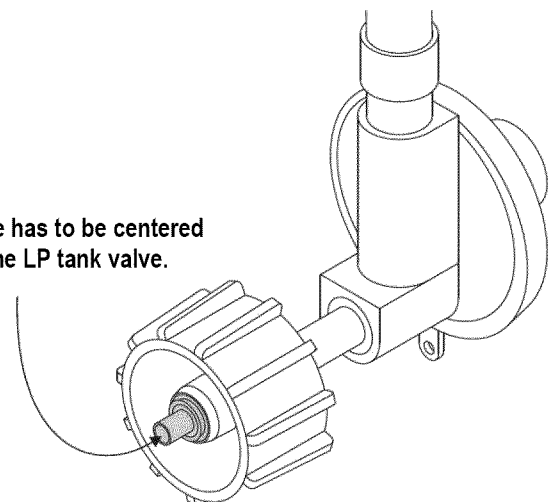
1. LP tank must be properly secured onto grill. (Refer to assembly section.)
2. Turn all control knobs to the OFF position.
3. Turn LP tank OFF by turning OPD hand wheel clockwise to a **full stop**.
4. Remove the protective cap from LP tank valve. Always use cap and strap supplied with valve.

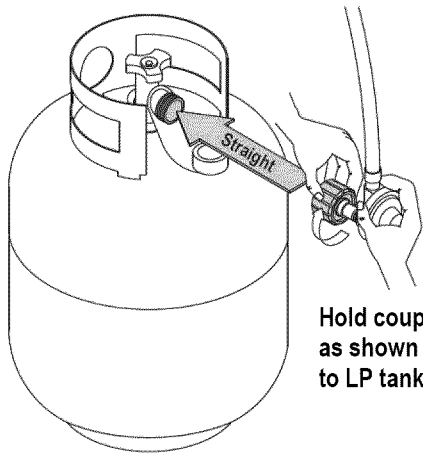


**Do not insert a POL transport plug (plastic part with external threads) into the Type 1 tank valve outlet. It will defeat the Safety Relief Valve feature.**

5. Hold regulator and insert nipple into LP tank valve. Hand-tighten the coupling nut, holding regulator in a straight line with LP tank valve so as not to crossthread the connection.

**Nipple has to be centered into the LP tank valve.**





Hold coupling nut and regulator as shown for proper connection to LP tank valve.

6. Turn the coupling nut clockwise and tighten to a full stop. The regulator will seal on the back-check feature in the LP tank valve, resulting in some resistance. **An additional one-half to three-quarters turn is required to complete the connection. Tighten by hand only – do not use tools.**

**NOTE:**

If you cannot complete the connection, disconnect regulator and repeat steps 5 and 6. If you are still unable to complete the connection, **do not use this regulator! Call 1-800-482-0131 for assistance.**

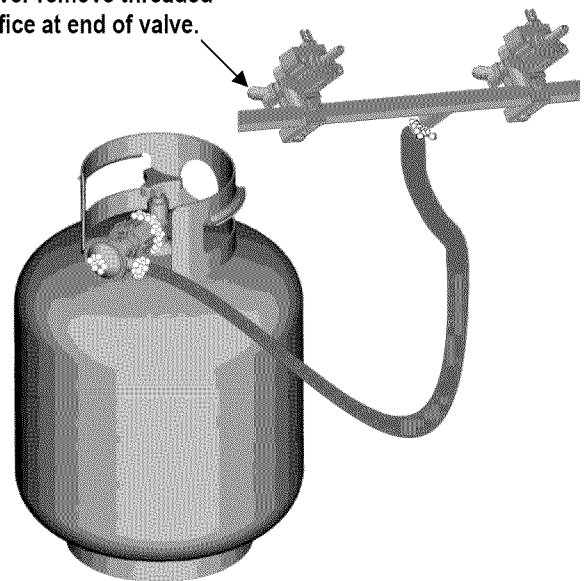
	<b>DANGER</b>	
<ul style="list-style-type: none"> <li>• Do not insert any tool or foreign object into the valve outlet or safety relief valve. You may damage the valve and cause a leak. Leaking propane may result in explosion, fire, severe personal injury, or death.</li> </ul>		

	<b>WARNING</b>	
<ul style="list-style-type: none"> <li>• Outdoor gas appliance is not intended to be installed in or on a boat.</li> <li>• Outdoor gas appliance is not intended to be installed in or on an RV.</li> <li>• Never attempt to attach this grill to the self-contained LP gas system of a camper trailer or motor home.</li> <li>• Do not use grill until leak-tested.</li> <li>• If a leak is detected at any time, STOP and call the fire department.</li> <li>• If you cannot stop a gas leak, <i>immediately</i> close LP cylinder valve and call LP gas supplier or your fire department!</li> </ul>		

**Leak Testing Valves, Hose and Regulator**

1. Turn all grill control knobs to OFF.
2. Be sure regulator is tightly connected to LP tank.
3. Completely open LP tank valve by turning OPD hand wheel counterclockwise. If you hear a *rushing sound*, turn gas off immediately. There is a major leak at the connection. **Correct before proceeding** by calling Sears for replacement parts at **1-800-4-MY-HOME®**.
4. Brush soapy solution onto areas where bubbles are shown in picture below:

▲ Never remove threaded orifice at end of valve.



5. If “growing” bubbles appear, there is a leak. Close LP tank valve immediately and retighten connections. **If leaks cannot be stopped do not try to repair.** Call Sears for replacement parts at **1-800-4-MY-HOME®**.
6. Always close LP tank valve after performing leak test by turning hand wheel clockwise.

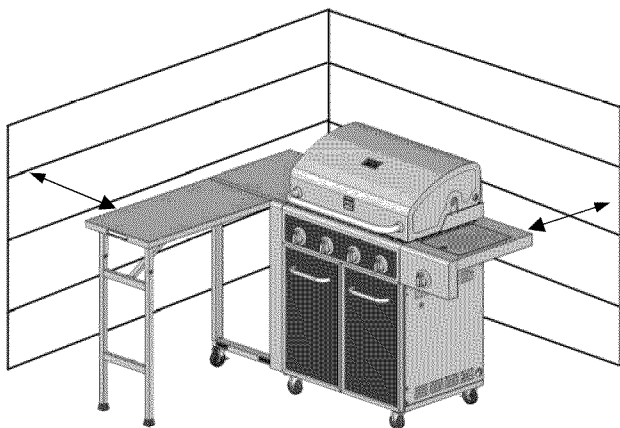


## WARNING



### For Safe Use of Your Grill and to Avoid Serious Injury:

- Do not let children operate or play near grill.
- Keep grill area clear and free from materials that burn.
- Do not block holes in sides or back of grill.
- Check burner flames regularly.
- Use grill only in well-ventilated space. NEVER use in enclosed space such as carport, garage, porch, covered patio, or under an overhead structure of any kind.
- Do not use charcoal or ceramic briquets in a gas grill. *(Unless briquets are supplied with your grill.)*
- **Use grill at least 3 ft. from any wall or surface.** Maintain 10 ft. clearance to objects that can catch fire, or to sources of ignition such as pilot lights on water heaters, live electrical appliances, etc.



### • Apartment Dwellers:

Check with management to learn the requirements and fire codes for using an LP gas grill in your apartment complex. If allowed, use outside on the ground floor with a three (3) foot clearance from walls or rails. Do not use on or under balconies.

- **NEVER attempt to light burner with lid closed. A buildup of non-ignited gas inside a closed grill is hazardous.**
- **Never operate grill with LP cylinder out of correct position specified in assembly instructions.**
- **Always close LP cylinder valve and remove coupling nut before moving LP cylinder from specified operation position.**

### Safety Tips

- ▲ Before opening LP cylinder valve, check the coupling nut for tightness.
- ▲ When grill is not in use, turn off all control knobs and LP cylinder valve.
- ▲ Never move grill while in operation or still hot.
- ▲ Use long-handled barbecue utensils and oven mitts to avoid burns and splatters.
- ▲ Maximum load for sideburner and side shelf is 10 lbs.
- ▲ The grease tray **must** be inserted into grill and emptied after each use. Do not remove grease tray until grill has completely cooled.
- ▲ Clean grill often, preferably after each cookout. If a bristle brush is used to clean any of the grill cooking surfaces, ensure no loose bristles remain on cooking surfaces prior to grilling. It is not recommended to clean cooking surfaces while grill is hot.
- ▲ If you notice grease or other hot material dripping from grill onto valve, hose or regulator, turn off gas supply at once. Determine the cause, correct it, then clean and inspect valve, hose and regulator before continuing. Perform a leak test.
- ▲ Keep ventilation openings in cylinder enclosure (grill cart) free and clear of debris.
- ▲ Do not store objects or materials inside the grill cart enclosure that would block the flow of combustion air to the underside of either the control panel or the firebox bowl.
- ▲ The regulator may make a humming or whistling noise during operation. This will not affect safety or use of grill.
- ▲ If you have a grill problem see the *"Troubleshooting Section"*.
- ▲ If the regulator frosts, turn off grill and LP cylinder valve immediately. This indicates a problem with the cylinder and it should not be used on any product. Return to supplier!



## CAUTION





- **Putting out grease fires by closing the lid is not possible. Grills are well ventilated for safety reasons.**
- **Do not use water on a grease fire. Personal injury may result. If a grease fire develops, turn knobs and LP cylinder off.**
- **Do not leave grill unattended while preheating or burning off food residue on HI. If grill has not been regularly cleaned, a grease fire can occur that may damage the product.**



### Ignitor Lighting the Grill

1. Read instructions before lighting your grill.
2. Open lid during lighting.
3. Open LP cylinder or natural gas valve.
4. Push any burner control knob in and turn the knob to the left to "HI" position. You will hear a clicking sound from all burners. Keep pressing the knob until the burner is lit.

- If ignition does not occur in 5 seconds, turn the burner control off, wait 5 minutes for gas to clear away, and repeat the lighting procedure.
- To light other burners, repeat step 4.

NOTE: If ignitor does not work, follow Match Lighting instructions.

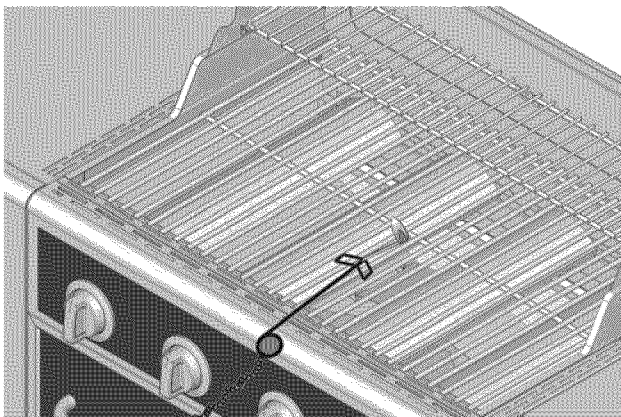
	WARNING	
Turn controls and gas source or tank OFF when not in use.		

	CAUTION	
If ignition does not occur in 5 seconds, turn the burner control off, wait 5 minutes, and repeat the lighting procedure. If the burner does not ignite with the valve open, gas will continue to flow out of the burner and could accidentally ignite with risk of injury.		

### Match-Lighting

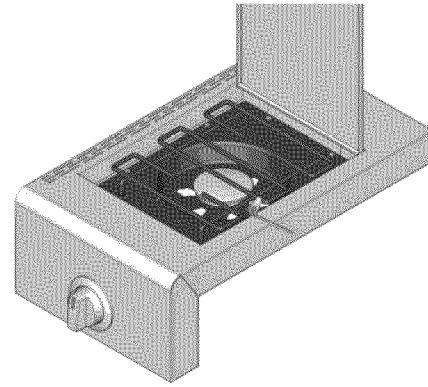
▲ Do not lean over grill while lighting.

- Open lid during lighting.
- Place match into match holder (hanging from side of cart). Light match, place into the firebox.
- Push in and turn right knob to HIGH position. Be sure burner lights and stays lit.
- Light other burners by pushing knob in and turning to HI position.



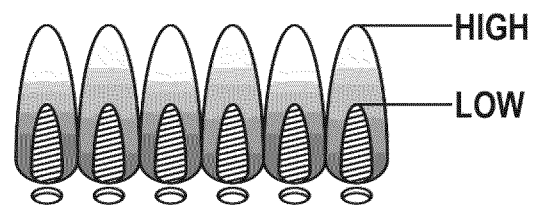
### Sideburner Match Lighting

- Open sideburner lid. Turn on gas at LP cylinder.
- Place lit match near burner.
- Turn sideburner knob to HI. Be sure burner lights and stays lit.



### Burner Flame Check

- Remove cooking grates and heat diffusers. Light burners, rotate knobs from HIGH to LOW. You should see a smaller flame in LOW position than seen on HIGH. Perform burner flame check on sideburner, also. Always check flame prior to each use.



### Turning Grill Off

- Turn all knobs to position. Turn LP cylinder off by turning hand-wheel clockwise to a full stop.

### Ignitor Check

- Turn gas off at LP cylinder. Push the control knob in and turn the knob to the left to "HI" position. "Clicking" should be heard and spark seen each time between collector box or burner and electrode. See "Troubleshooting" if no click or spark.

### Valve Check

- Important: Make sure gas is off at LP cylinder before checking valves. Knobs lock in OFF position. To check valves, first push in knobs and release, knobs should spring back. If knobs do not spring back, replace valve assembly before using grill. Turn knobs to LOW position then turn back to OFF position. Valves should turn smoothly.

### Hose Check

- Before each use, check to see if hoses are cut or worn. Replace damaged hoses before using grill. Use only identical replacement part valve/hose/regulator as specified in the Parts List of this Use and Care Guide.

### General Grill Cleaning

- Do not mistake brown or black accumulation of grease and smoke for paint. Interiors of gas grills are not painted at the factory (and should never be painted). Apply a strong solution of detergent and water or use a grill cleaner with scrub brush on insides of grill lid and bottom. Rinse and allow to completely air dry. Do not apply a caustic grill/oven cleaner to painted surfaces.
- Plastic parts: Wash with warm soapy water and wipe dry.

Do not use citrisol, abrasive cleaners, degreasers or a concentrated grill cleaner on plastic parts. Damage to and failure of parts can result.

•**Porcelain surfaces:** Because of glass-like composition, most residue can be wiped away with baking soda/water solution or specially formulated cleaner. Use nonabrasive scouring powder for stubborn stains.

•**Painted surfaces:** Wash with mild detergent or nonabrasive cleaner and warm soapy water. Wipe dry with a soft nonabrasive cloth.

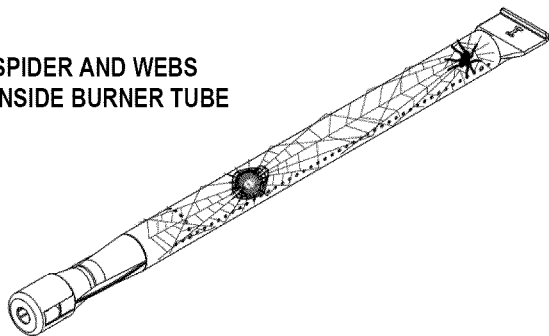
•**Stainless steel surfaces:** To maintain your grill's high quality appearance, wash with mild detergent and warm soapy water and wipe dry with a soft cloth after each use. Baked-on grease deposits may require the use of an abrasive plastic cleaning pad. Use only in direction of brushed finish to avoid damage. Do not use abrasive pad on areas with graphics.

•**Cooking surfaces:** If a bristle brush is used to clean any of the grill cooking surfaces, ensure no loose bristles remain on cooking surfaces prior to grilling. It is not recommended to clean cooking surfaces while grill is hot.



## SPIDER ALERT!

SPIDER AND WEBS  
INSIDE BURNER TUBE



*If you notice that your grill is getting hard to light or that the flame isn't as strong as it should be, take the time to check and clean the burner tubes.*

Spiders or small insects have been known to create "flashback" problems. The spiders spin webs, build nests and lay eggs in the grill's burner tubes obstructing the flow of gas to the burner. The backed-up gas can ignite in the burner tube behind the control panel. This is known as a flashback and it can damage your grill and even cause injury.

To prevent flashbacks and ensure good performance the burner and burner tube assembly should be removed from the grill and cleaned before use whenever the grill has been idle for an extended period.

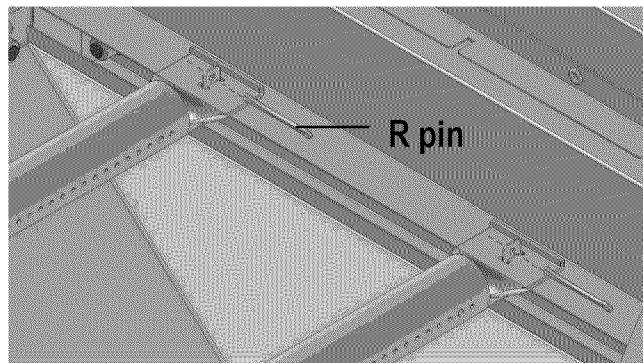
## Storing Your Grill

- Clean cooking grates.
- Store in dry location.
- When LP cylinder is connected to grill, store outdoors in a well-ventilated space and out of reach of children.
- Cover grill if stored outdoors. Choose from a variety of grill covers offered by manufacturer.
- Store grill indoors ONLY if LP cylinder is turned off and disconnected, removed from grill and stored outdoors.
- When removing grill from storage, follow "*Cleaning the Burner Assembly*" instructions before starting grill.

## Cleaning the Burner Assembly

Follow these instructions to clean and/or replace parts of burner assembly or if you have trouble igniting grill.

1. **Turn gas off at control knobs and LP cylinder.**
2. Remove cooking grates and heat diffusers.
3. Remove R pins from rear of burners.
4. Carefully lift each burner up and away from valve openings.



We suggest three ways to clean the burner tubes. Use the one easiest for you.

(A) Bend a stiff wire (a light weight coat hanger works well) into a small hook. Run the hook through each burner tube several times.

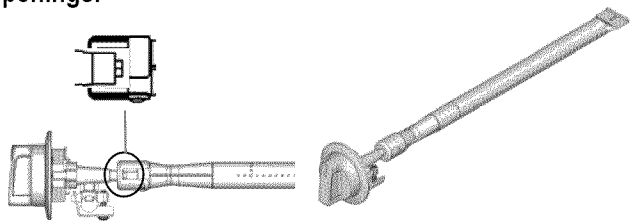


(B) Use a narrow bottle brush with a flexible handle (do not use a brass wire brush), run the brush through each burner tube several times.

(C) **Wear eye protection:** Use an air hose to force air into the burner tube and out the burner ports. Check each port to make sure air comes out each hole.

5. Wire brush entire outer surface of burner to remove food residue and dirt.
6. Clean any blocked ports with a stiff wire such as an open paper clip.
7. Check burner for damage, due to normal wear and corrosion some holes may become enlarged. If any large cracks or holes are found replace burner.

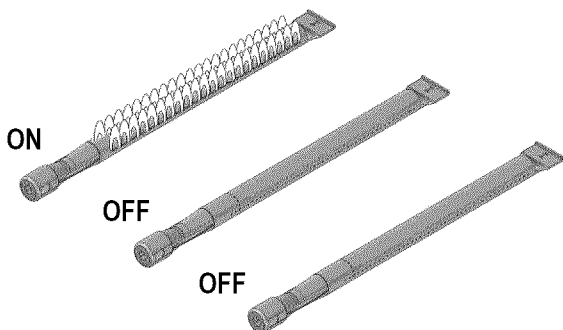
**VERY IMPORTANT: Burner tubes must reengage valve openings.**



**Correct burner-to-valve engagement**

**Indirect Cooking**

Poultry and large cuts of meat cook slowly to perfection on the grill by indirect heat. Place food over unlit burner(s); the heat from lit burners circulates gently throughout the grill, cooking meat or poultry without the touch of a direct flame. This method greatly reduces flare-ups when cooking extra fatty cuts because there is no direct flame to ignite the fats and juices that drip during cooking.

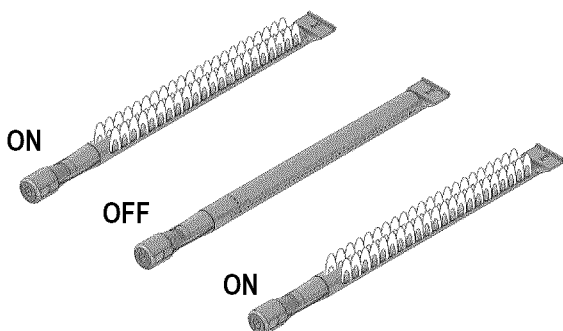


**1 Burner Cooking**

Cook with direct or indirect heat.  
Best for smaller meals or foods.  
Consumes less fuel.

**Indirect Cooking Instructions**

- Always cook with the lid closed.
- Due to weather conditions, cooking times may vary. During cold and windy conditions the temperature setting may need to be increased to insure sufficient cooking temperatures.
- Place food over unlit burner(s)



**2 Burner Cooking**

Great indirect cooking on low.  
Produces slow, even heating.  
Ideal for slow roasting and baking.

**Food Safety**

Food safety is a very important part of enjoying the outdoor cooking experience. To keep food safe from harmful bacteria, follow these four basic steps:

**Clean:** Wash hands, utensils, and surfaces with hot soapy water before and after handling raw meat and poultry.

**Separate:** Separate raw meats and poultry from ready-to-eat foods to avoid cross contamination. Use a clean platter and utensils when removing cooked foods.

**Cook:** Cook meat and poultry thoroughly to kill bacteria. Use a thermometer to ensure proper internal food temperatures.

**Chill:** Refrigerate prepared foods and leftovers promptly.

**For more information call: USDA Meat and Poultry Hotline at 1-800-535-4555 (In Washington, DC (202) 720-3333, 10:00 am-4:00 pm EST).**

**How To Tell If Meat Is Grilled Thoroughly**

- Meat and poultry cooked on a grill often browns very fast on the outside. Use a meat thermometer to be sure food has reached a safe internal temperature, and cut into food to check for visual signs of doneness.
- Whole poultry should reach 180° F; breasts, 170° F. Juices should run clear and flesh should not be pink.
- Hamburgers made of any ground meat or poultry should reach 160° F, and be brown in the middle with no pink juices. Beef, veal and lamb steaks, roasts and chops can be cooked to 145°F. All cuts of pork should reach 160° F.
- NEVER partially grill meat or poultry and finish cooking later. Cook food completely to destroy harmful bacteria.
- When reheating takeout foods or fully cooked meats like hot dogs, grill to 165° F, or until steaming hot.

**WARNING:** To ensure that it is safe to eat, food must be cooked to the minimum internal temperatures listed in the table below.

USDA* Recommended Safe Minimum Internal Temperatures	
Beef, Veal, Lamb and Pork – Whole Cuts**	145° F
Fish	145° F
Beef, Veal, Lamb and Pork – Ground	160° F
Egg Dishes	160° F
Turkey, Chicken & Duck – Whole, Pieces & Ground	165° F

\* United States Department of Agriculture

\*\*Allow meat to rest three minutes before carving or consuming.

## Gas Requirements

### LP Gas

If your grill is for LP Gas, the regulator supplied is set for an 11-in. water column (WC) and is for use with LP gas only. The factory-supplied regulator and hose must be used with a 20-lb. LP gas tank.

### Excess Flow Control and Low Heat

The propane regulator assembly incorporates an excess flow device designed to supply the grill with sufficient gas flow under normal conditions yet control excess gas flow. Rapid changes in pressure can trigger the excess flow device providing a low flame and low temperature. If the tank valve is turned open to allow gas flow while a burner valve is open, the surge of pressure will cause the device to activate. The device will remain closed until the pressure is equalized. This should occur within 5 seconds.

To ensure this does not cause difficulty in lighting the grill, follow these instructions:

1. Make sure all burner valves are "OFF".
2. Open the tank valve and wait 5 seconds.
3. Light the burners one at a time following the lighting instructions.

### Helpful Care and Maintenance Hints

Before grilling, pre-heat grill for 15 minutes on "HI" with hood down. To avoid uncontrolled flare-ups or grease fires, grill meats with hood open. Close hood if meats are thick or weather is cold, or if you are using a rotisserie or indirect cooking.

Always protect your hand with a pot holder or cooking glove when coming into contact with a hot surface.



Hood up when grilling meats, especially chicken. Hood down when indirect or rotisserie cooking.

NEVER leave your grill unattended while cooking.

After use, close hood, turn burners to HI for 15 min. for self-cleaning, grease burn off.

## Care and Maintenance Time Table Chart

Grill Item	Frequency Based on Normal Use	Cleaning Method
Painted surface	Twice yearly	Car wax
Stainless surface	Twice yearly	Stainless cleaner
All grates	After each use	Burn off and wipe
Stainless grates	15 days	Wire brush/ Dishwasher safe
Porcelain grates	15 days	Scrub pad soapy water /Dishwasher safe
Burner heat tents	30 days	Wire brush
Burners	90 days	Wire brush
Burner box interior	120 days	Interior grill cleaning products (available at sears)

	<b>WARNING</b>	
<b>CALIFORNIA PROPOSITION 65</b>		
This product contains chemicals, including lead and lead compounds in brass fittings. It also produces combustion by-products when used. These substances are known to the State of California to cause cancer, birth defects or other reproductive harm.		
<i>Wash your hands after using this product.</i>		

## Natural Gas Conversion Kit

Your grill can be converted to natural gas. The conversion must be performed by a qualified gas technician. The following listed Natural Gas Conversion Kit (sold separately) are required for the conversion.

**Natural gas conversion kit**  
**Kenmore Model # 10478**  
**(Manufacturer Part No.: RB2818T-KIT)**

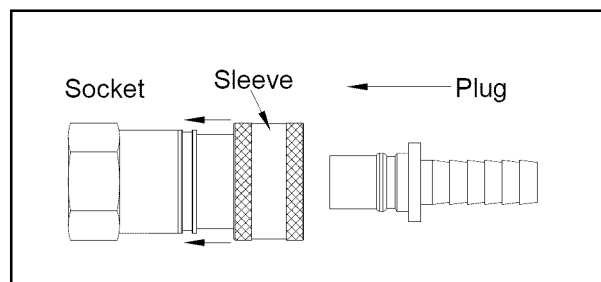
To purchase a Natural Gas Conversion kit call Sears at  
**1-800-4-MY-HOME®**

### Natural Gas Connection Preparation:

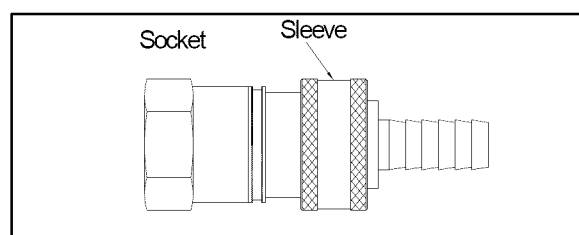
1. Turn off gas supply, and then remove cap on gas supply side.
2. Recommended: Install a shut-off valve on gas supply side before installing the socket.
3. Socket should be installed by an authorized technician in accordance with the national fuel gas code (NFPA 54/ANSI223.1).
4. Before inserting plug, turn on gas supply and leak test all connections including the stem of the shut-off valve and the opening of the socket. For best results, use an ammonia-free soap & water solution.

### Operating Instructions:

1. To connect, push back socket sleeve.



2. Insert plug and release sleeve.
3. Push plug until sleeve snaps forward. (Gas will flow automatically. Failure to connect plug properly to socket will inhibit gas flow to the appliance.)



### To disconnect

1. Pull Sleeve back. Pull plug out of socket. (Gas is automatically shut off.)
2. Close shut-off valve or turn off gas supply, and replace dust caps on socket and plug.

### Natural Gas

Now that your grill is converted to Natural Gas use, it is set for 7-inch water column (WC) pressure, and cannot be used with Propane Gas. Gas pressure is affected by gas line size and the length of gas line run from the house. Follow the recommendations in the chart below.

From House to Grill	
Distance	Tubing Size
Up to 25 ft.	3/8 in. diameter
26-50 ft.	1/2 in. diameter
51-100 ft.	2/3 of the run: 3/4 in. diameter
	1/3 of the run :1/2 in. diameter
Over 101 ft.	3/4 in. diameter



## PARTS LIST

Key	Qty	Description	Manufacturer Part #
1	1	HOOD HANDLE	2818-2T-6200
2	2	HANDLE BASE	S3218ANR-00-4001
3	1	HOOD	RB2818T-00-4000
4	1	TEMPERATURE GAUGE	2818-2T-A300
5	1	WASHER	2518SL-6002
6	4	RUBBER PLUG	3219B-8083
7	2	COOKING GRID ( MAIN BURNER )	2818-2T-2001
8	1	WARMING RACK	2818-2T-2002
9	4	HEAT DIFFUSER	2818-2T-2007
10	4	R PIN	R PIN 1.6x30
11	4	MAIN BURNER	SH3118B-2004
12	1	IGNITION PIN ( MAIN BURNER )	2818-2T-A500-1
13	1	IGNITION PIN ( MAIN BURNER )	2818-2T-A500-3
14	1	IGNITION PIN ( MAIN BURNER )	2818-2T-A500-5
15	1	IGNITION PIN ( MAIN BURNER )	2818-2T-A500-7
16	2	5/16-18 UNC x 3/4"	SCREW
17	2	HOOD SLEEVE	2818-2T-0001
18	2	5/16-18 UNC	NUT
19	1	BURNER BOX	2818-2T-2000-3
20	1	SIDE HOOD	E3518-00-6001
21	1	SIDE BURNER GRID	L3018S-00-6201
22	1	SIDE BURNER SHAFT	3218LTN-00-2802
23	1	SIDE BURNER SHELF	RB2818T-00-6000
24	1	SIDE BURNER	L3018SN-00-8300
25	1	IGNITION PIN ( SIDE BURNER )	L3018SN-00-8007
26	1	SIDE BURNER VALVE	L3018SN-00-6600
27	5	BEZEL	L3018SN-00-3302
28	5	KNOB	L3018SN-00-3301
29	1	MAIN BURNER HOSE	P3018-00-8021
30	1	LP GAS PRESSURE REGULATOR	L3218-00-8006
31	1	MANIFOLD	RB2818T-00-3200
32	1	CONTROL PANEL	RB2818T-00-3000
33	1	IGNITION WIRE	RB2818T-00-8001
34	1	SIDE SHELF	RB2818T-00-5110
35	1	SIDE SHELF BRACKET	RB2818T-00-5001
36	1	1/4-20 UNC x 1/2"	RB2818T-00-8003
37	1	1/4-20 UNC	NUT
38	1	SIDE SHELF TABLE	RB2818T-00-5210
39	2	TABLE SUPPORT	RB2818T-00-5240
40	1	TABLE LEG	RB2818T-00-5300
41	2	TABLE LEG PAD	RB2818T-00-5303
42	3	LOCKING CASTER	3218LTN-00-8013
43	1	SIDE SHELF BOTTOM SUPPORT	RB2818T-00-5120
44	1	SIDE SHELF RIGHT SUPPORT	RB2818T-00-5130

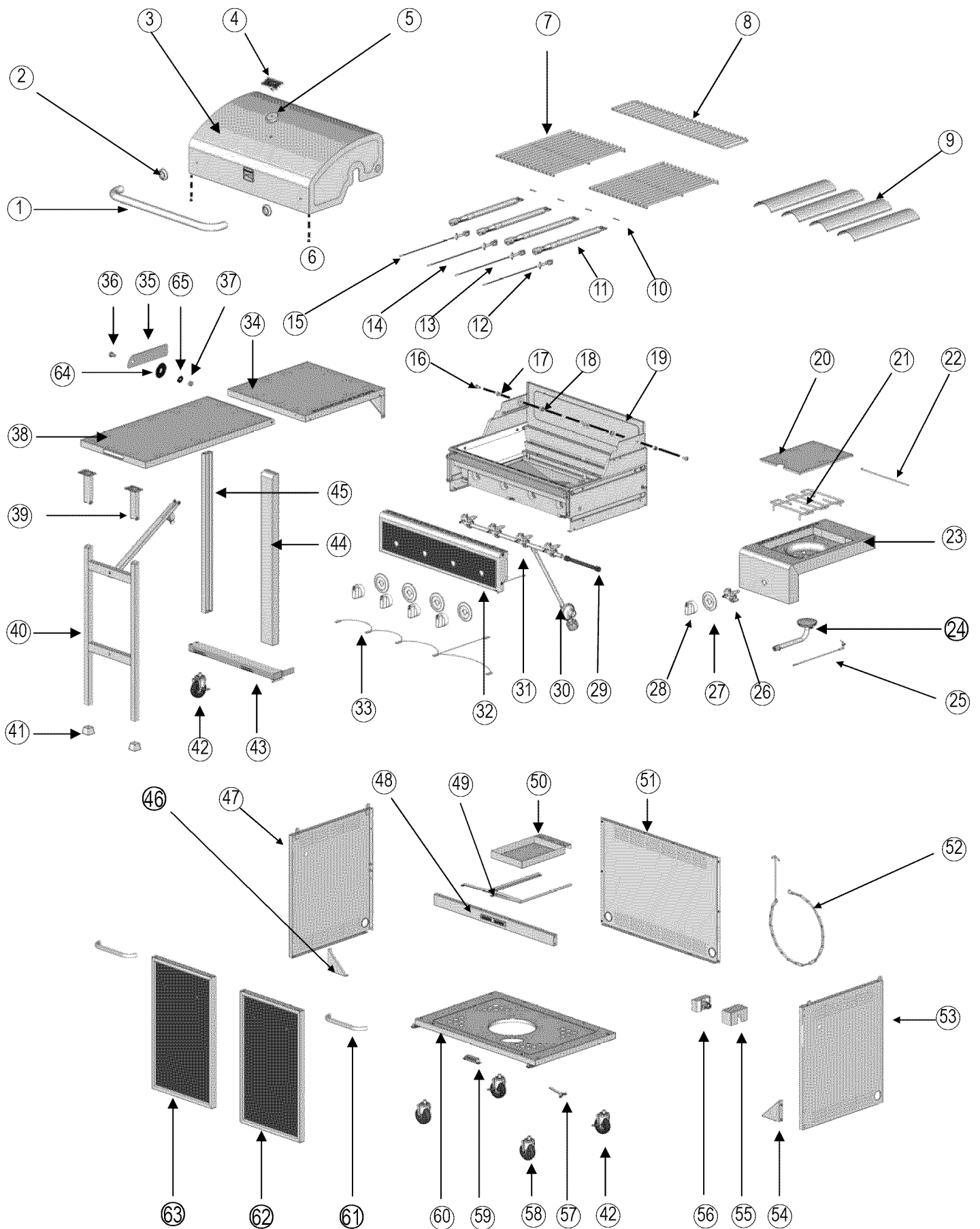
Key	Qty	Description	Manufacturer Part #
45	1	SIDE SHELF LEFT SUPPORT	RB2818T-00-5101
46	1	LEFT PANEL BRACKET	2818-2T-1601
47	1	LEFT PANEL	RB2818T-00-1700
48	1	BEAM	2818-2T-1200
49	1	DRIP TRAY SUPPORT	2818-2T-1500
50	1	DRIP TRAY	2818-2T-1001
51	1	REAR PANEL	2818-2T-1002
52	1	HAND IGNITOR	3019L-1710
53	1	RIGHT PANEL	RB2818T-00-1800
54	1	RIGHT PANEL BRACKET	2818-2T-1701
55	1	IGNITER PROTECTIVE BOX	S3218ANR-00-1802
56	1	IGNITER	L3018SN-00-8008
57	1	1/4-20 UNC x 2"	WING BOLT
58	2	CASTER	3218LTN-00-8012
59	1	MAGNET	L3018S-00-1310
60	1	BOTTOM PANEL	RB2818T-00-1110
61	2	DOOR HANDLE	L3018S-00-1410
62	1	RIGHT DOOR	RB2818T-00-1600
63	1	LEFT DOOR	RB2818T-00-1400
64	1	WASHER 6	WASHER 6
65	1	SPRING LOCK WASHER 6	SPRING LOCK WASHER 6
	1	HARDWARE PACK	RB2818T-HARDWARE
	1	PRODUCT MANUAL	RB2818T-MANUAL

**If you are missing hardware or have damaged parts after unpacking grill, call 1-800-482-0131 for replacement.**

**To order replacement parts after using grill, call 1-800-4-MY-HOME®**

**NOTE: Some grill parts shown in the assembly steps may differ slightly in appearance from those on your particular grill model. However, the method of assembly remains the same.**

# PARTS DIAGRAM



## UNPACKING

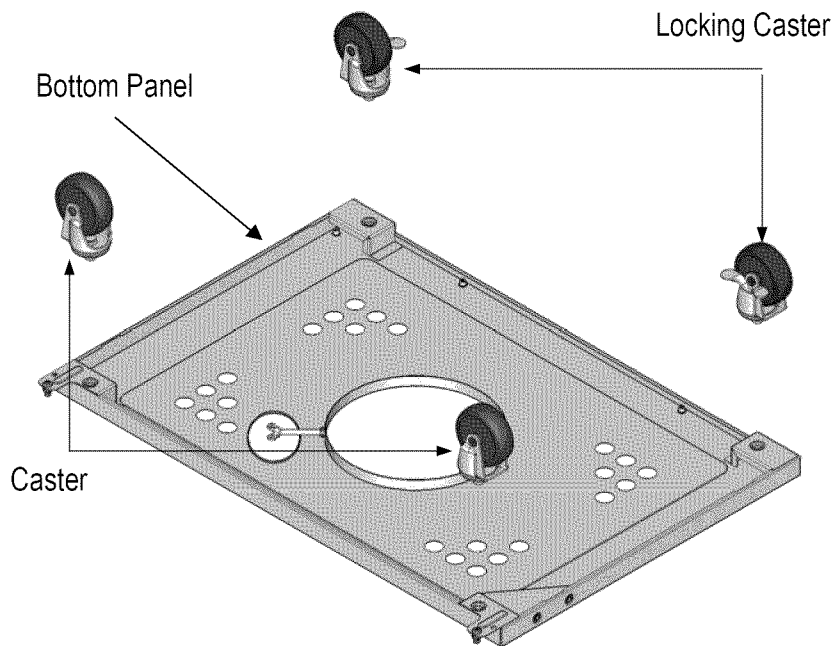
After removing all parts and hardware pack from the top of the shipping box, and when the only part showing is the grill head, use a box cutting knife to slice down the sides of the box. Be careful of staples along shipping box edges.

Remove the steel and cardboard corner supports from the box and the styrofoam side pieces from the grill head. Open grill lid and remove all packaged parts and packing material. Allow grill head to rest on cardboard until placing grill head on cart in Step 10.

**WARNING: Assemble the grill on a flat level surface. Compare the parts and hardware with the list and diagrams. Do not attempt assembly if any part is missing or damaged.**

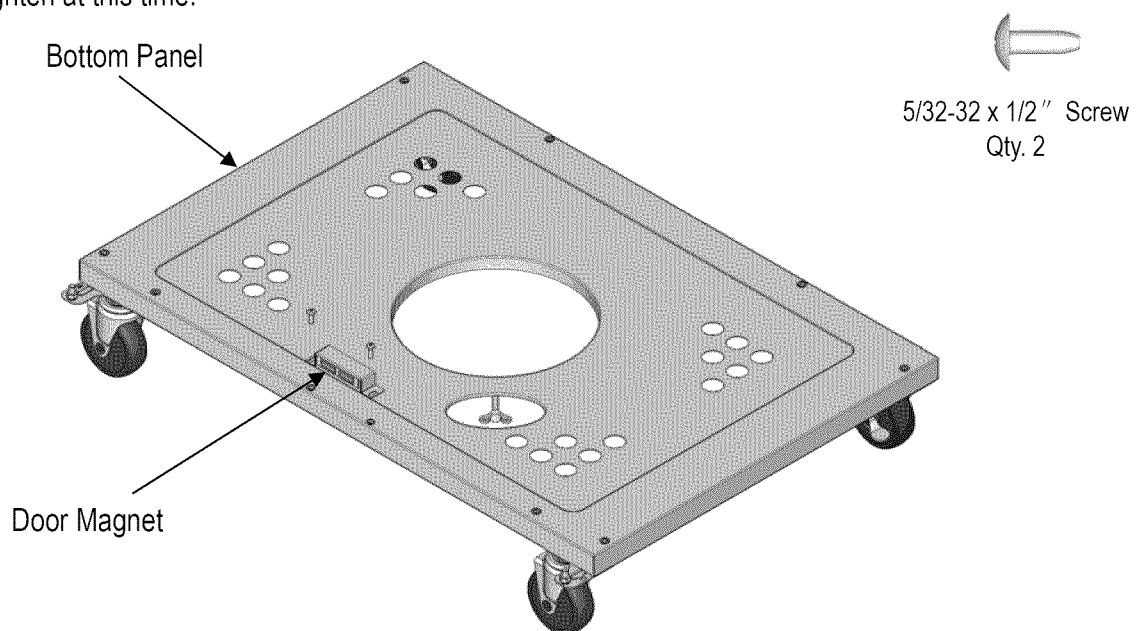
1

Use the supplied wrench to attach the casters to the bottom panel as shown below. Attach the two locking casters at the back of the grill. After attaching all casters, turn the bottom panel over.



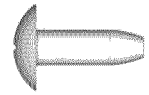
2

Attach the door magnet to the holes in the front of the bottom panel with 2 screws each. Do not fully tighten at this time.

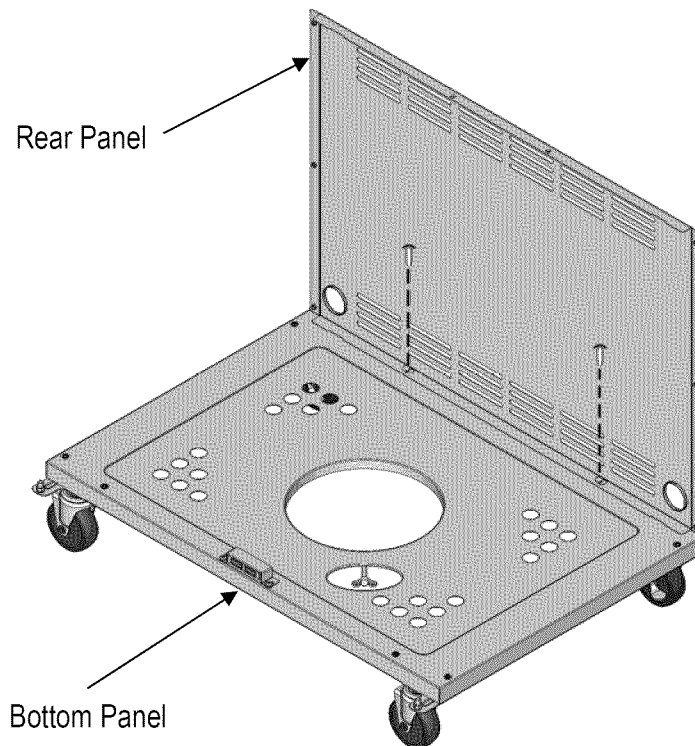


**3**

Attach the rear panel to the bottom panel with two screws.

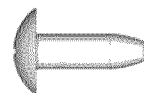


3/16-24 x 1/2" Screw  
Qty. 2

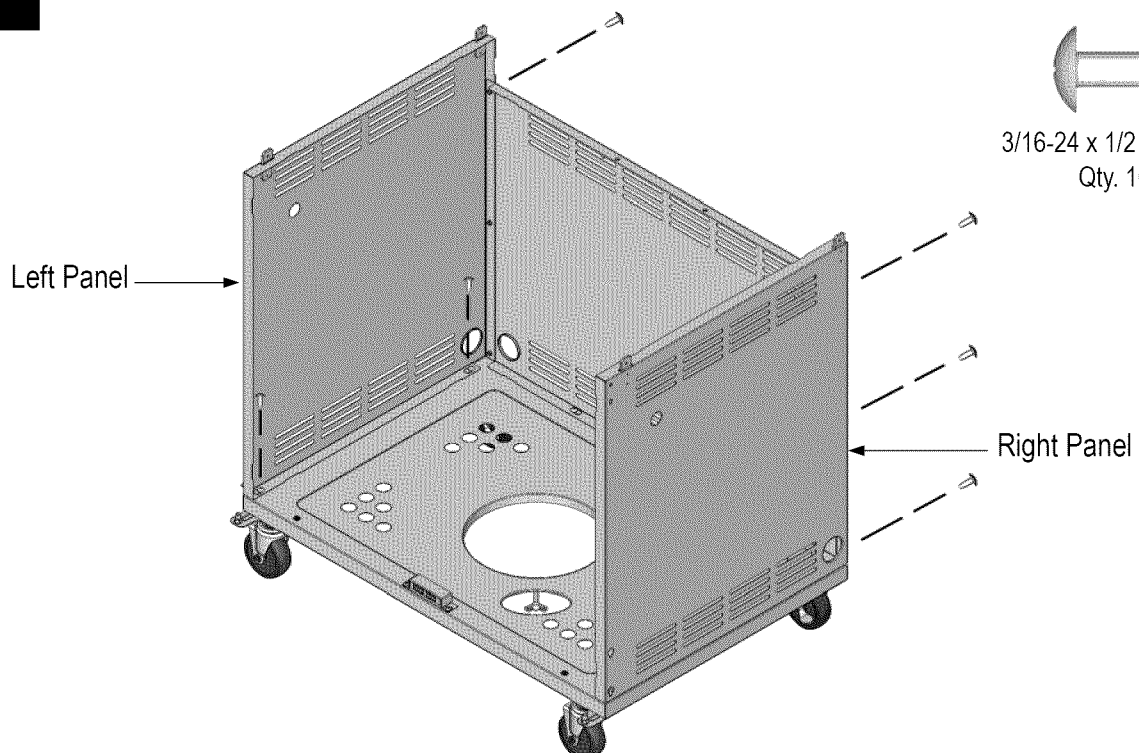


**4**

Attach the left and right panel to the bottom panel. For each side panel, there are three screws for the rear panel and two for the bottom panel. Insert the two bottom panel screws first.

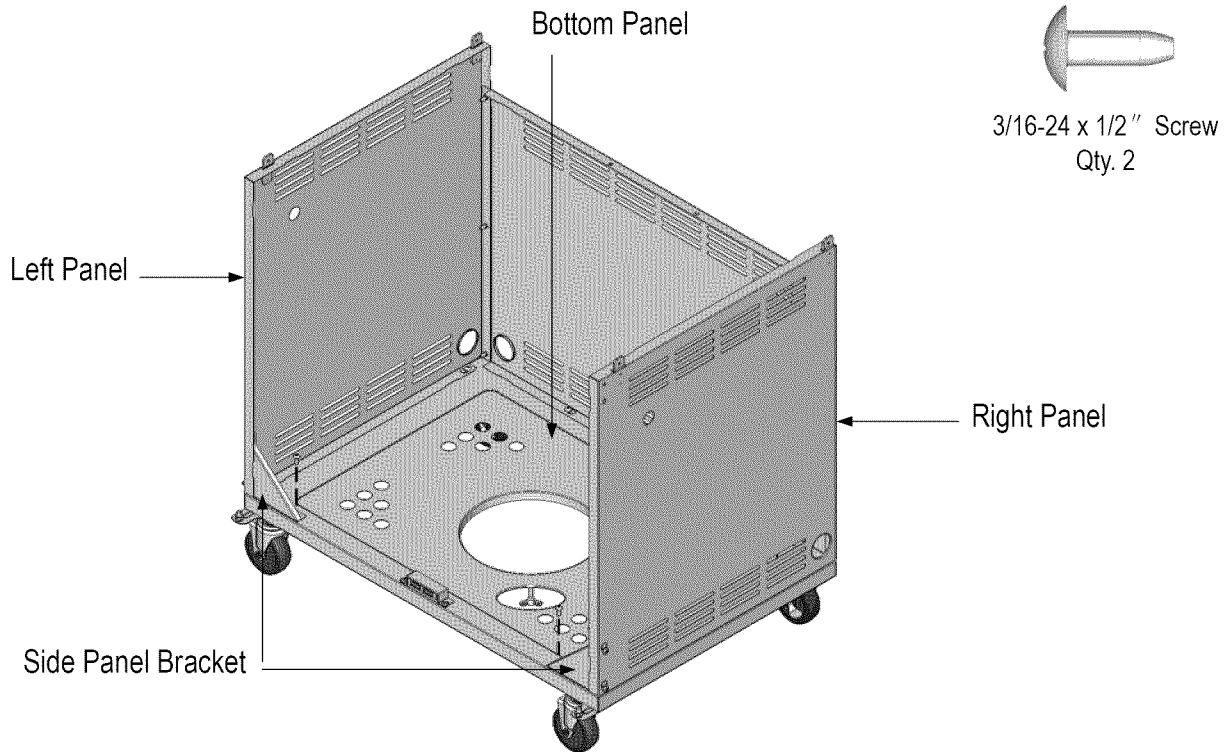


3/16-24 x 1/2" Screw  
Qty. 10



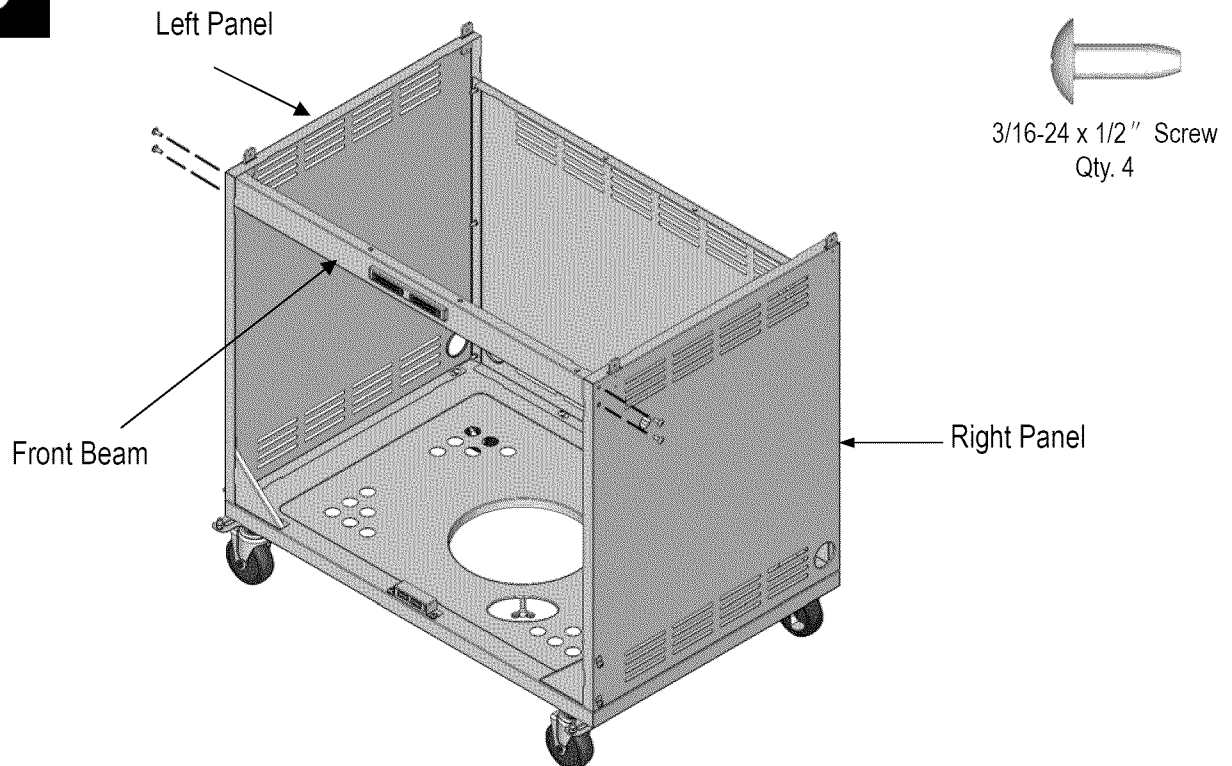
**5**

Loosen the screws on the side panel brackets two turns, attach the brackets to the side panels, tighten the screws. Attach the side panel brackets to the bottom panel with 2 screws as shown.



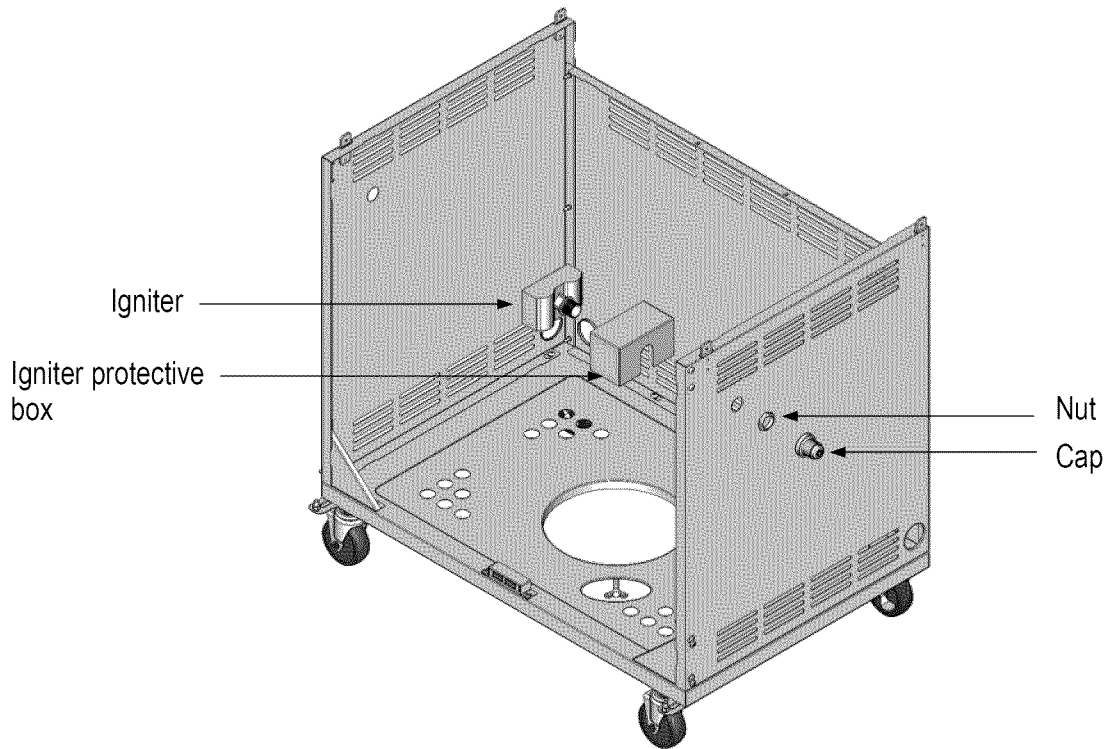
**6**

Attach the front beam to side panels with 2 screws on each side as shown.



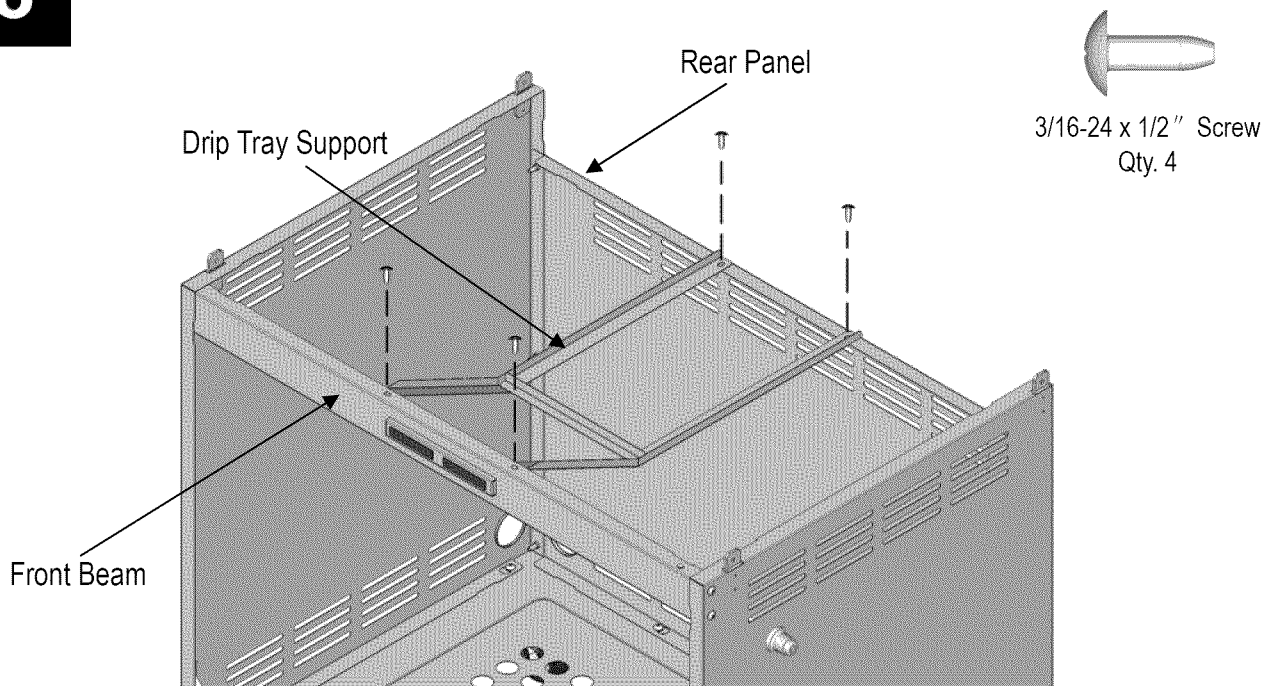
**7**

Remove the cap and the nut from the igniter.  
Secure the igniter and the igniter protective box to side panel with the nut. Then, reassemble the cap to the igniter.



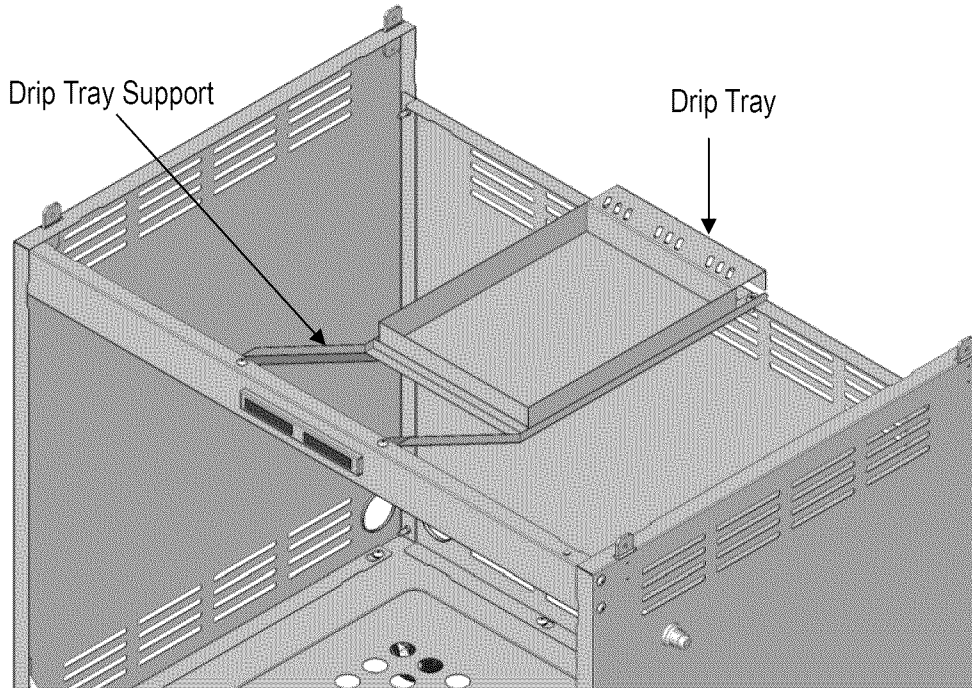
**8**

Attach the drip tray support to the front beam and rear panel with 4 screws as shown.



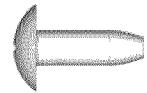
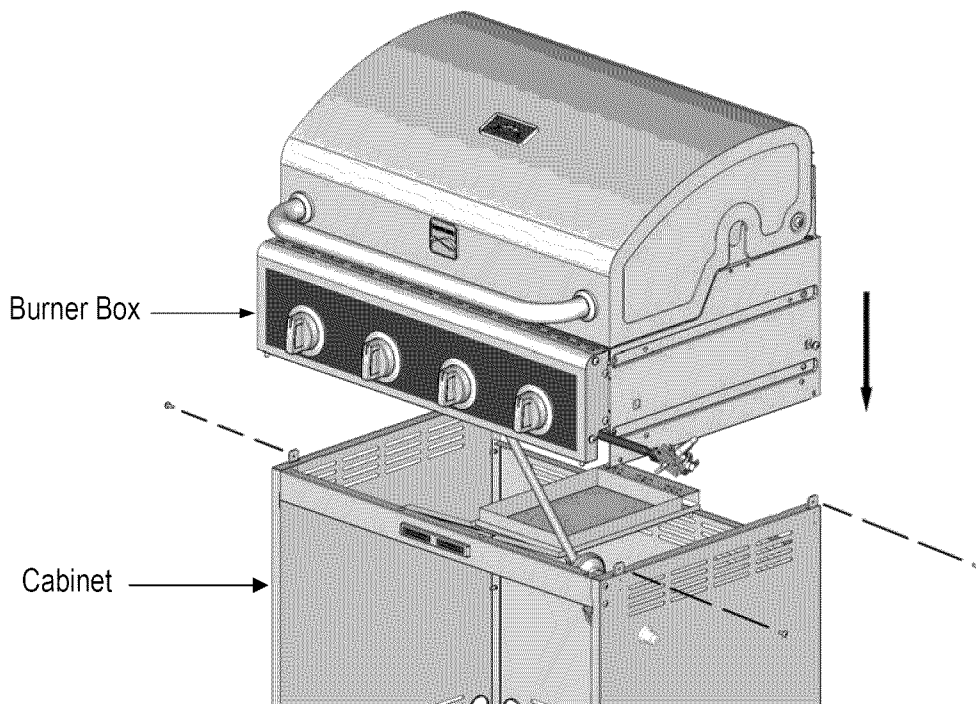
**9**

Put the drip tray onto the drip tray support as shown.



**10**

Cut tie wraps holding regulator and side burner valve in place underneath grill head control panel. Be careful not to cut igniter wires or the tie wraps holding the igniter wires in place. With the aid of an assistant, lift and place grill head onto cart. Grill head sides go over attachment tabs on cart. Make sure that side burner valve hangs outside the cart, and that regulator and igniter wires hangs inside the cart. Attach head to cart with 4 screws as shown.

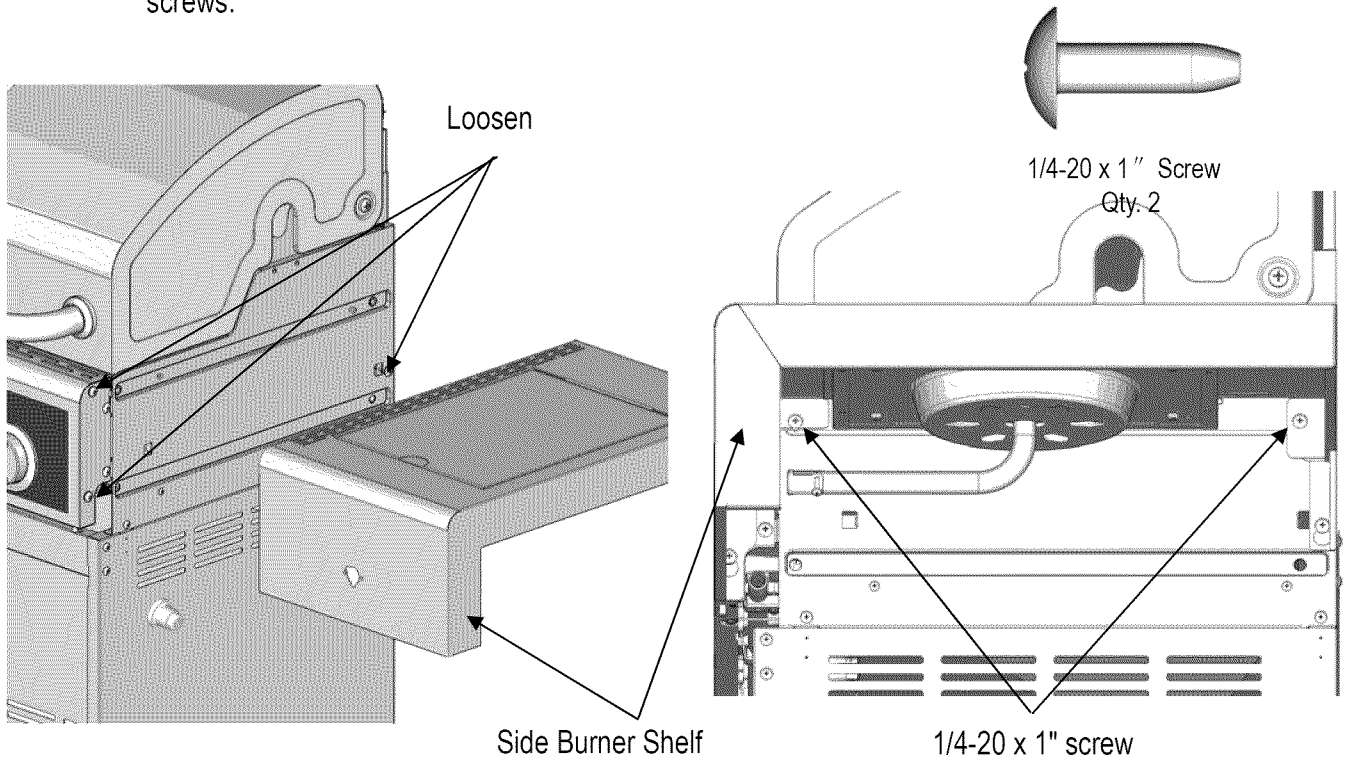


3/16-24 x 1/2" Screw  
Qty. 4

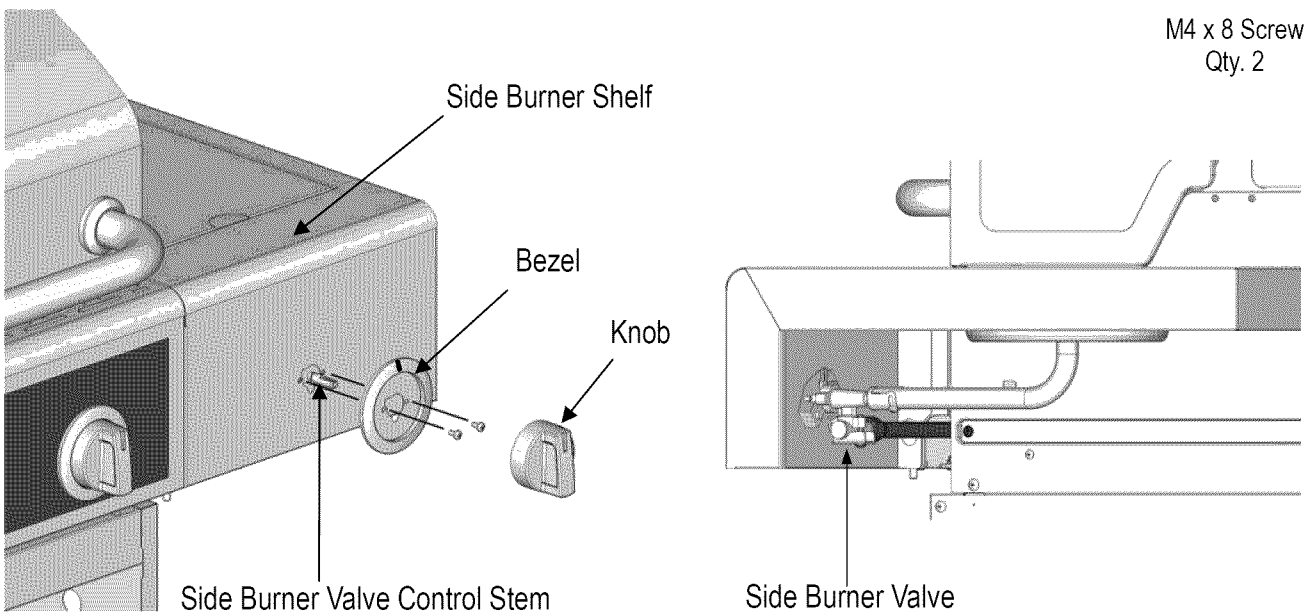


**11****Side Burner Shelf**

Loosen the three screws attached to the right panel of the burner box 3 to 4 turns as shown. Hang the side burner shelf by the slotted holes in its side onto the loosened screws. Fasten the side burner shelf from its bottom as shown with two 1/4-20 x 1" screws. Tighten the 3 previously loosened screws.

**12****Side Burner Shelf**

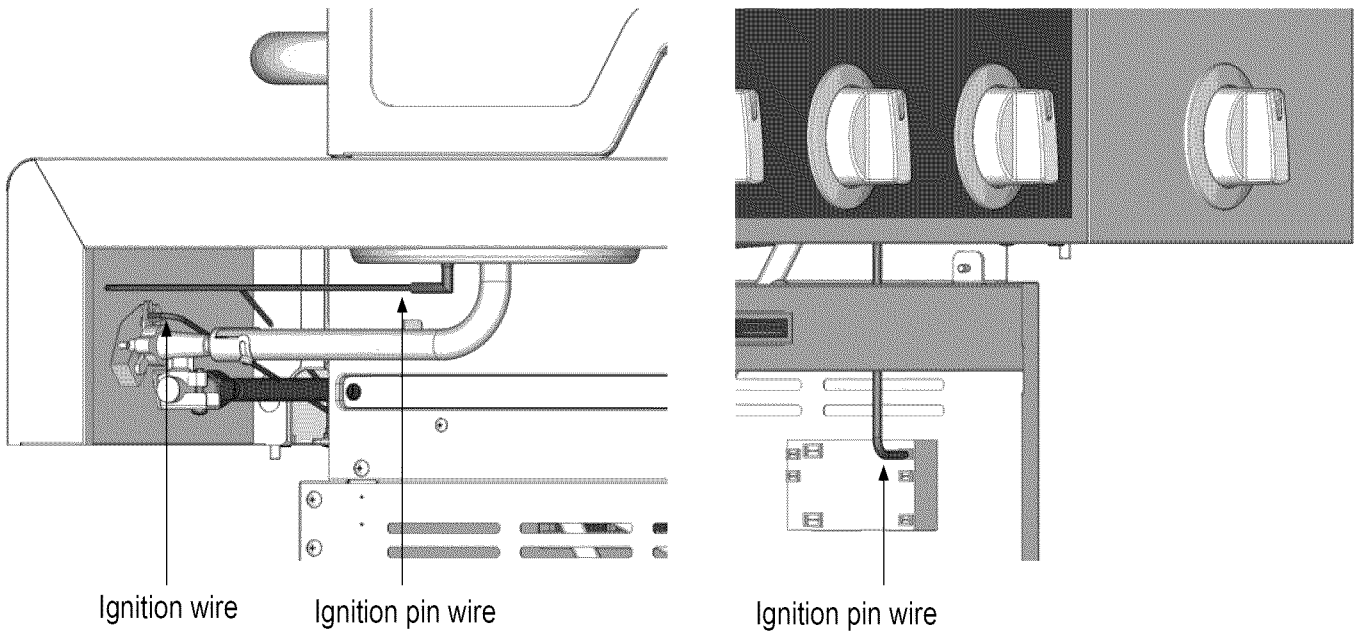
Loosen and remove the two screws on the underside of the side burner holding it in place. Align the 2 bezel screw holes to those in side burner control panel. Insert the valve control stem through the hole in control panel and bezel. Attach bezel to control panel and valve control stem with 2 screws as shown. Be sure to attach bezel with black indicator mark facing straight up. Press Knob onto side burner valve control stem. Make sure the side burner valve is inserted into the side burner, then insert and tighten the 2 previously removed screws.



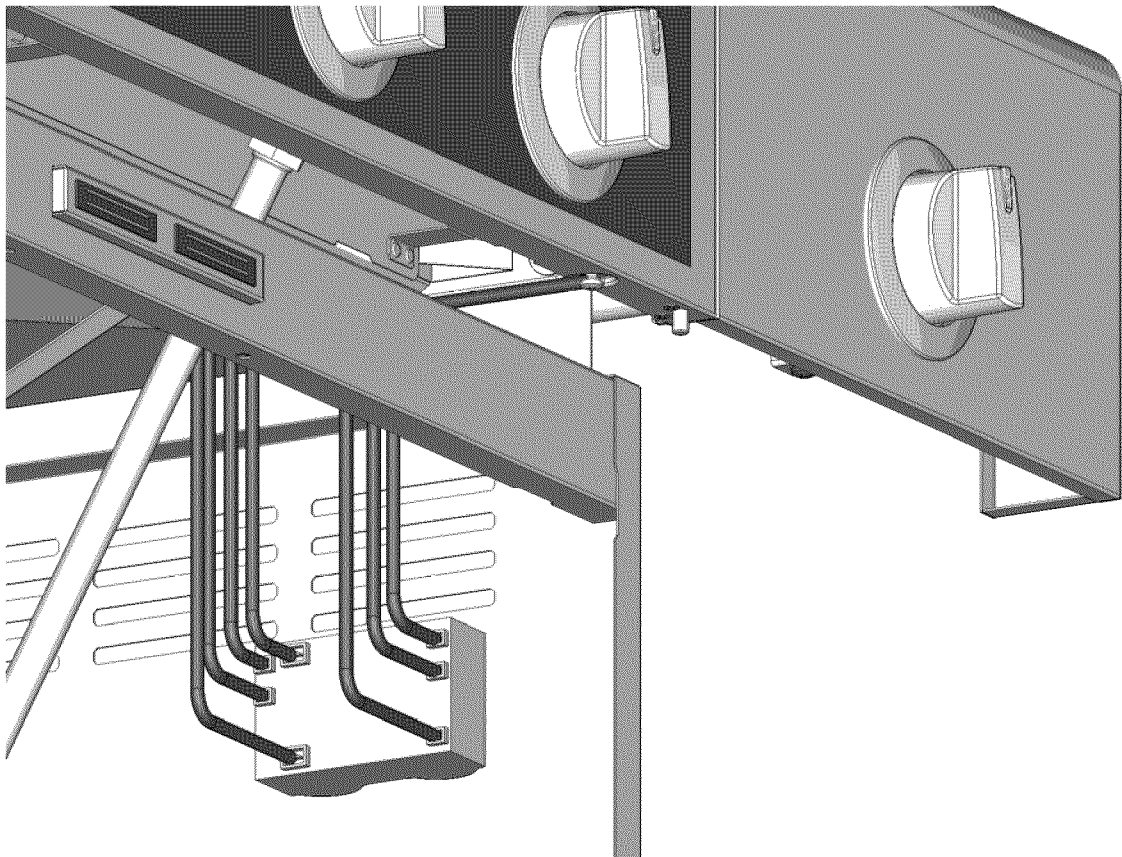


**13****Side Burner Ignition Wire and Ignition Pin Wire**

Make sure the side burner ignition wire is connected into the socket in the valve. Plug the ignition pin wire into one of the small sockets in the igniter as shown.

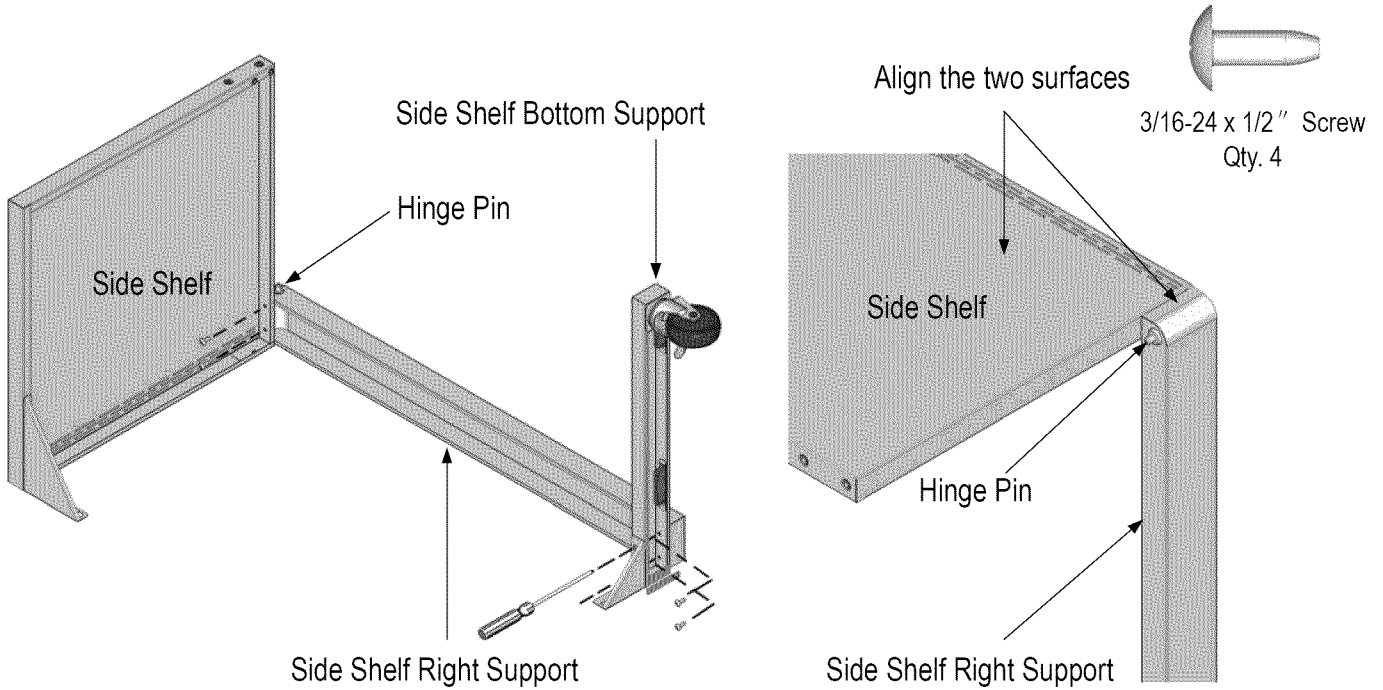
**14****Other Ignition Wires**

Plug the four main burner igniter wires into the four small sockets in the igniter as shown. Plug the grounding wire and the continuous ignition wire into the two large sockets in the igniter as shown.



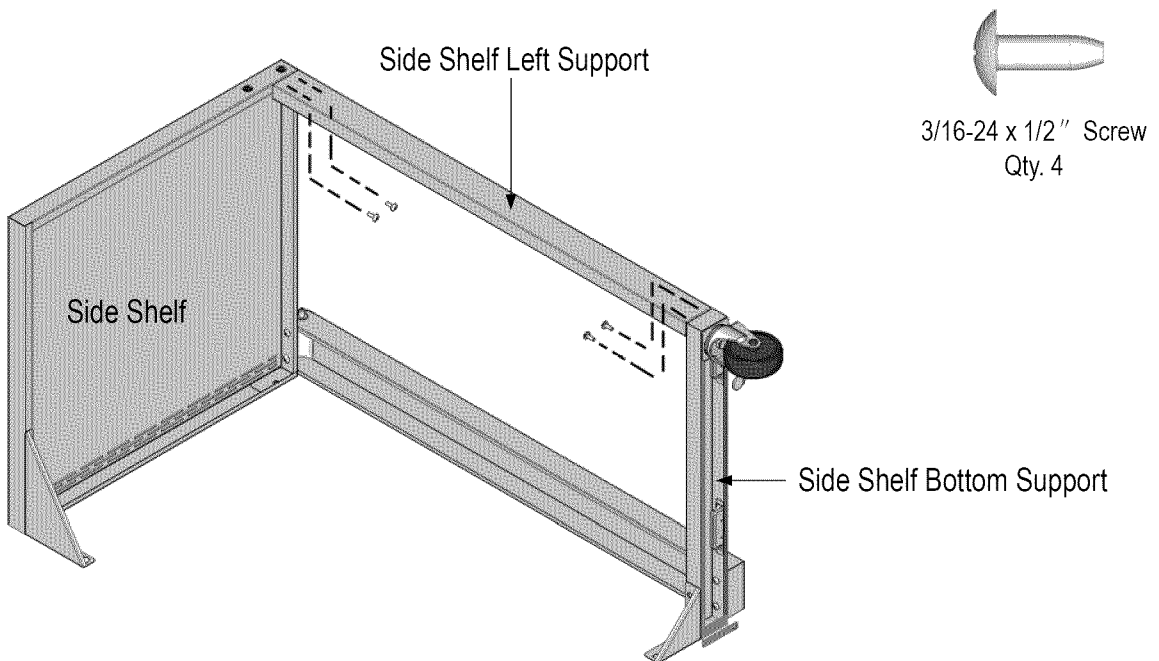
# 15 Side Shelf

Assemble the side shelf, side shelf right support, and side shelf bottom together on a flat surface. Use two screws to attach the right support end with the hinge pin to the shelf as shown. Use two screws to attach the bottom support to the other end of the right support. Insert the screws on the inside of the support as shown. Use a Phillips screwdriver inserted through the holes on the outside of the support to tighten the screws. After assembly, make sure the top surface of the right support is aligned with the side shelf surface.



# 16 Side Shelf

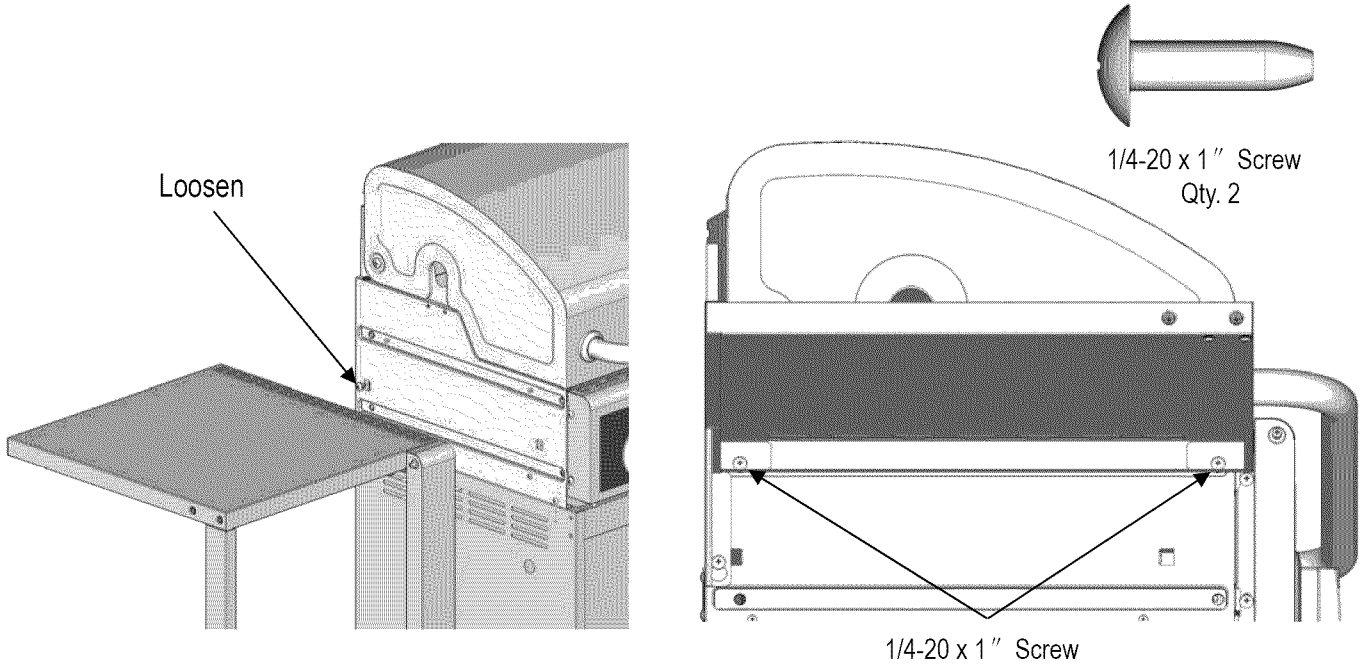
Securely tighten the side shelf left support to the side shelf and bottom support with four screws as shown.



# 17

## Side Shelf

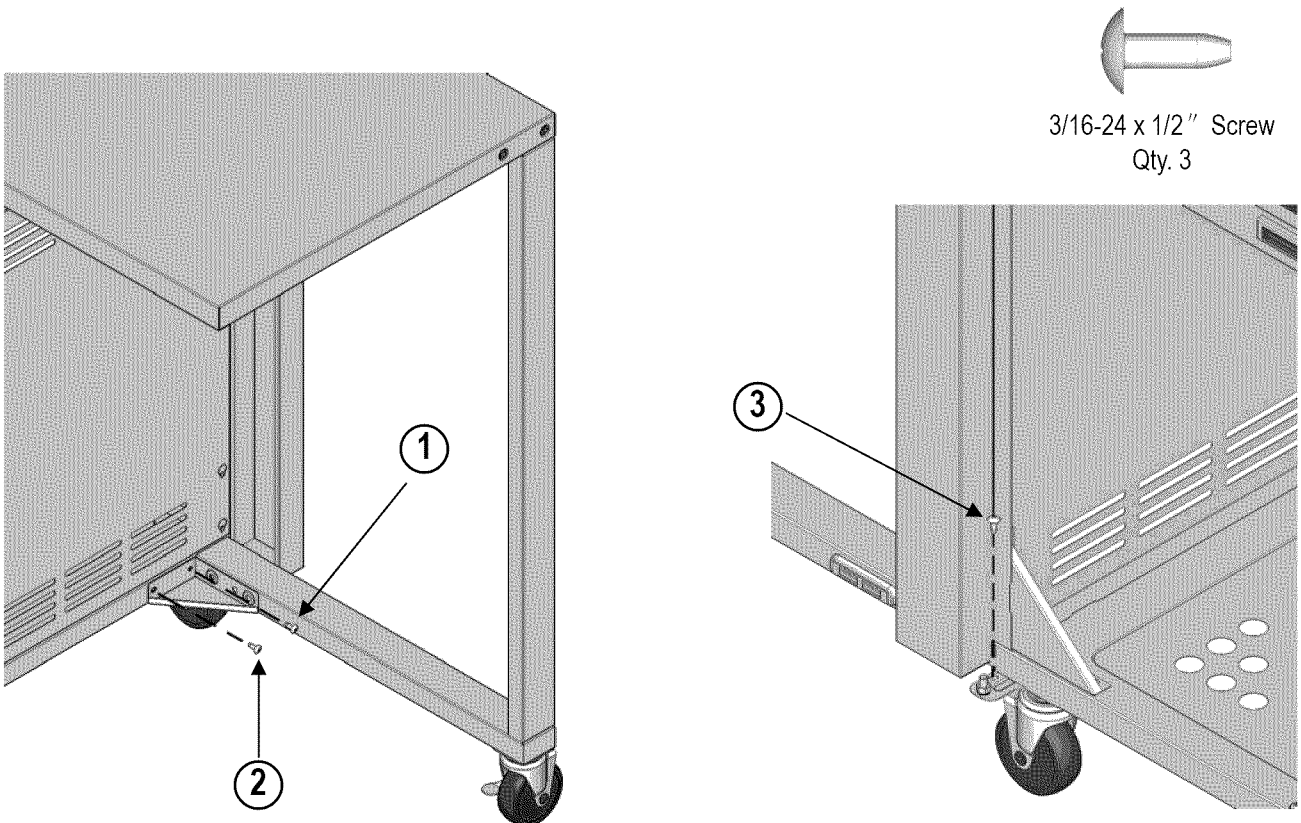
Loosen the screw attached to the left panel of the burner box 3 to 4 turns as shown. Hang the side shelf by the slotted hole in its side onto the loosened screw. Assemble the side shelf from its bottom as shown with two 1/4-20 x 1" screws. Do not tighten these screws completely.



# 18

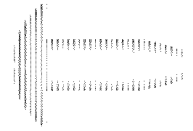
## Side Shelf

Connect the side shelf bottom support to the bottom panel with three 3/16-24 x 1/2" screws. Follow the sequence as shown to attach these screws. Tighten the screws in this step and in step 17.

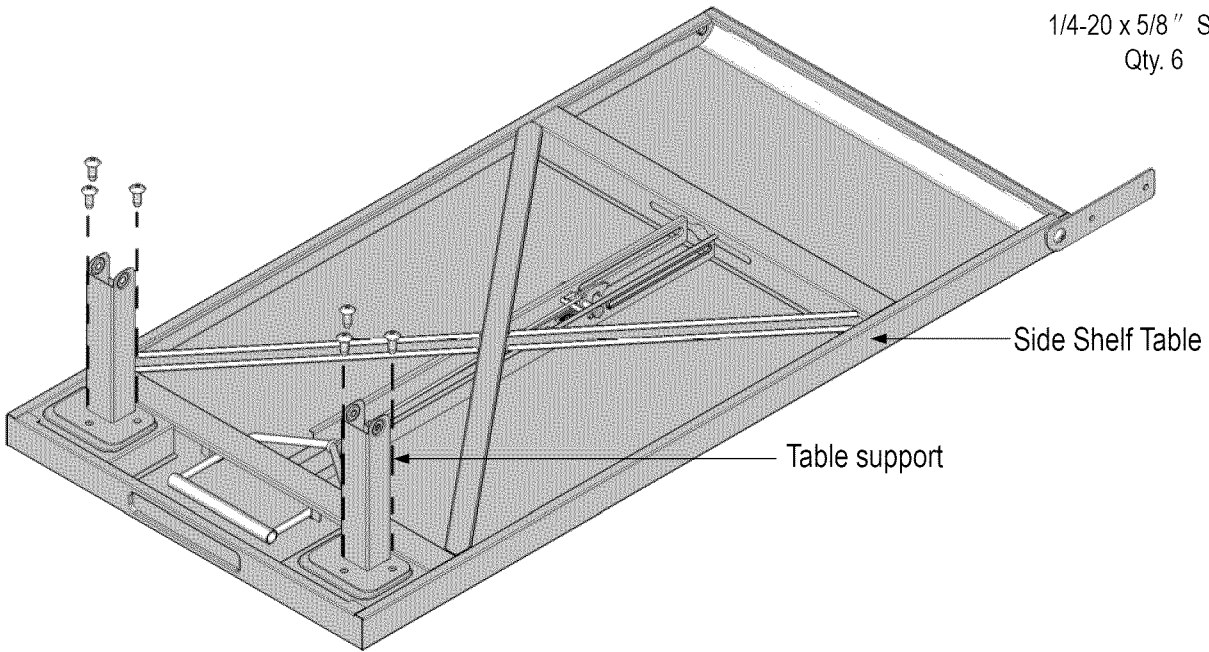


# 19 Side Shelf Table

Attach the table supports to the side shelf table with six screws as shown.



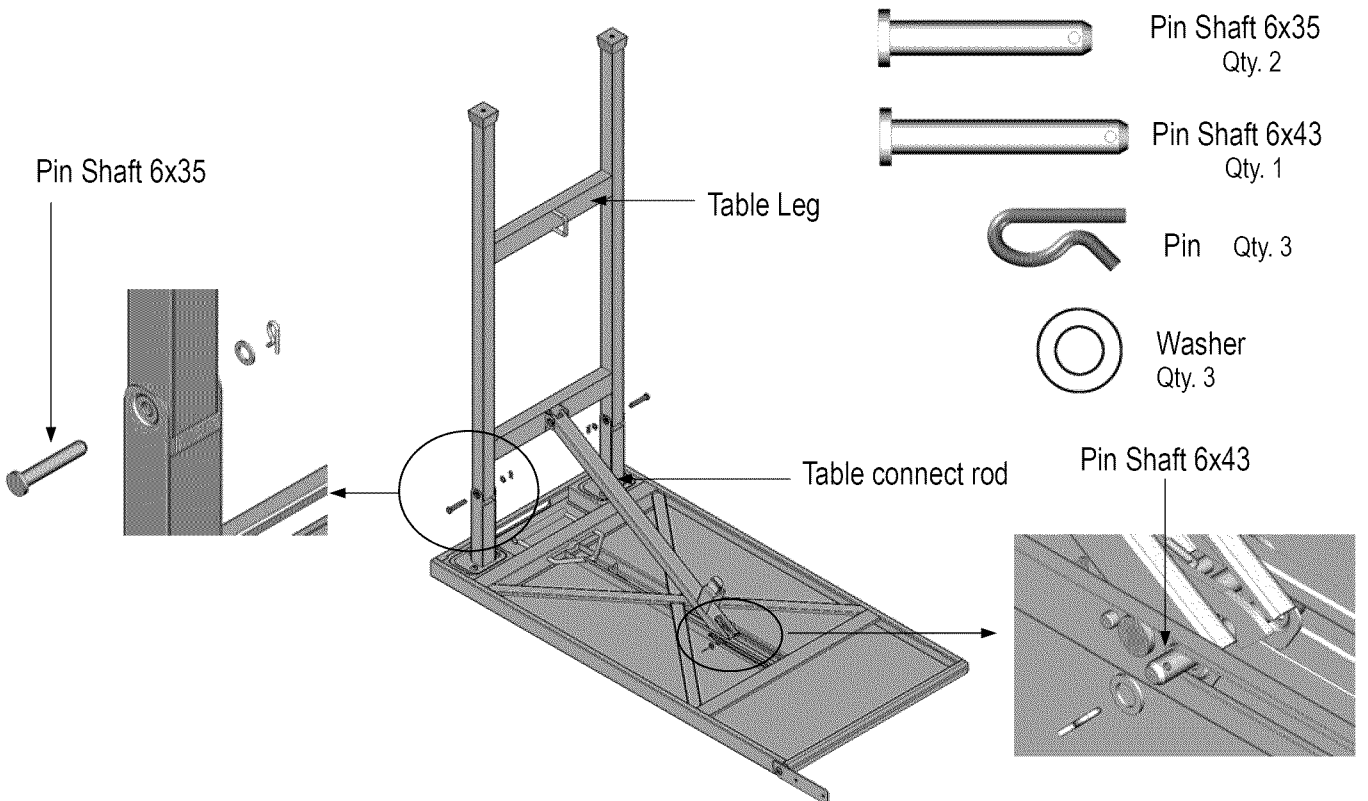
1/4-20 x 5/8" Screw  
Qty. 6



# 20 Side Shelf Table

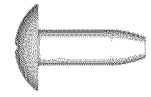
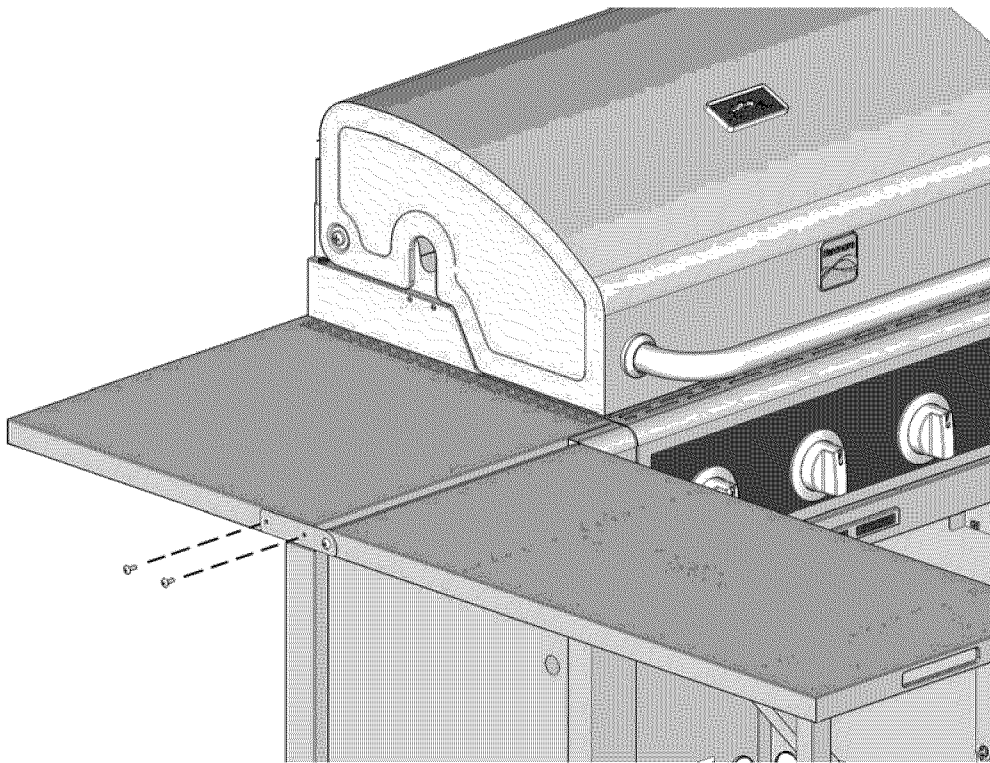
Connect the table legs to the table support with two 6x35 pin shafts, cotter pins and washers as shown. Attach the table connecting rod to the side shelf table with one 6x43 pin shaft, pin and washer.

**WARNING:** To avoid injury, make sure that table legs are held up to prevent them from falling while attaching table connecting rod and pin shaft.



**21****Side Shelf Table**

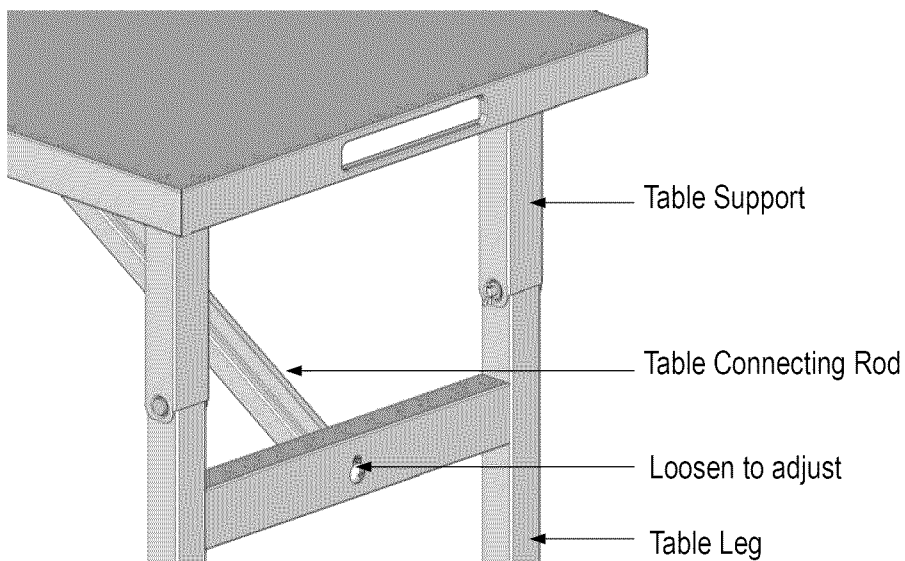
Unfold the table legs to the upright locked position. Insert the hole in the right corner of the side shelf table onto the hinge pin of the side shelf right support. Attach the side shelf table to the side shelf with 2 screws as shown.



3/16-24 x 1/2" Screw  
Qty. 2

**22****Side Shelf Table**

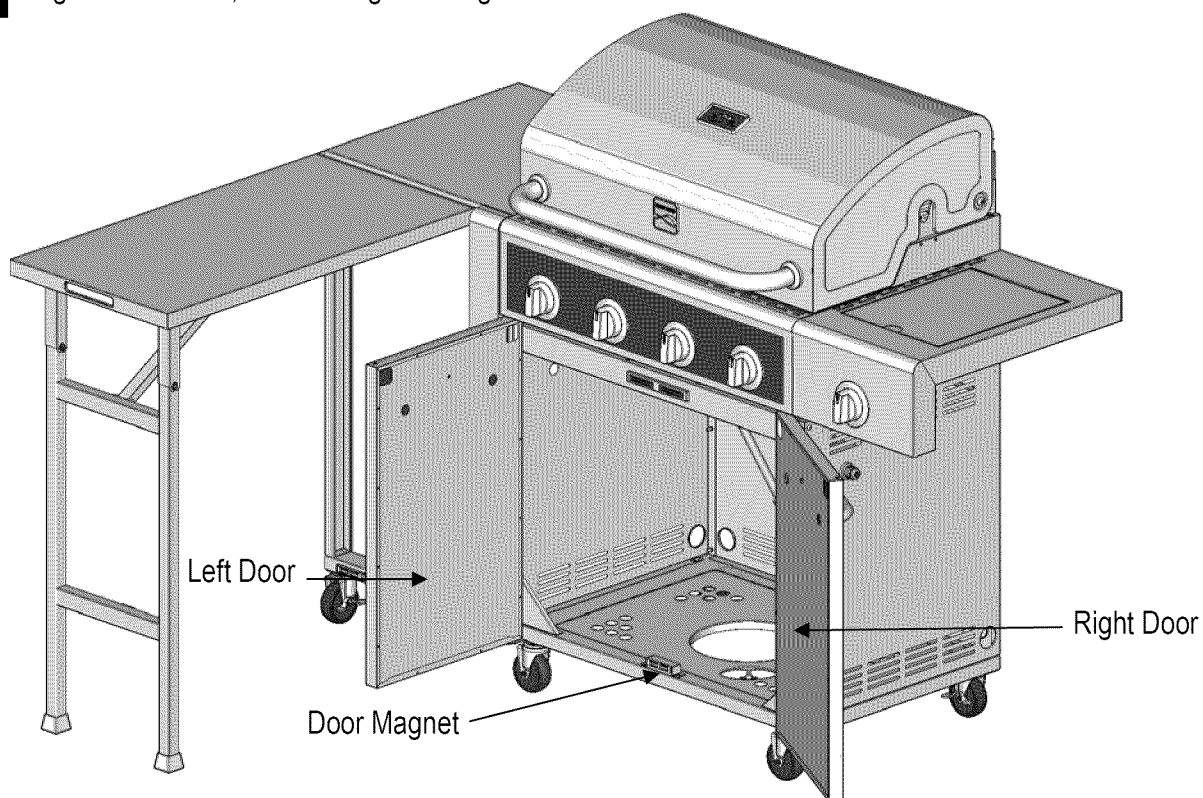
If necessary to make legs perfectly straight, loosen the table connecting rod screw as shown. Adjust legs, and retighten screw.





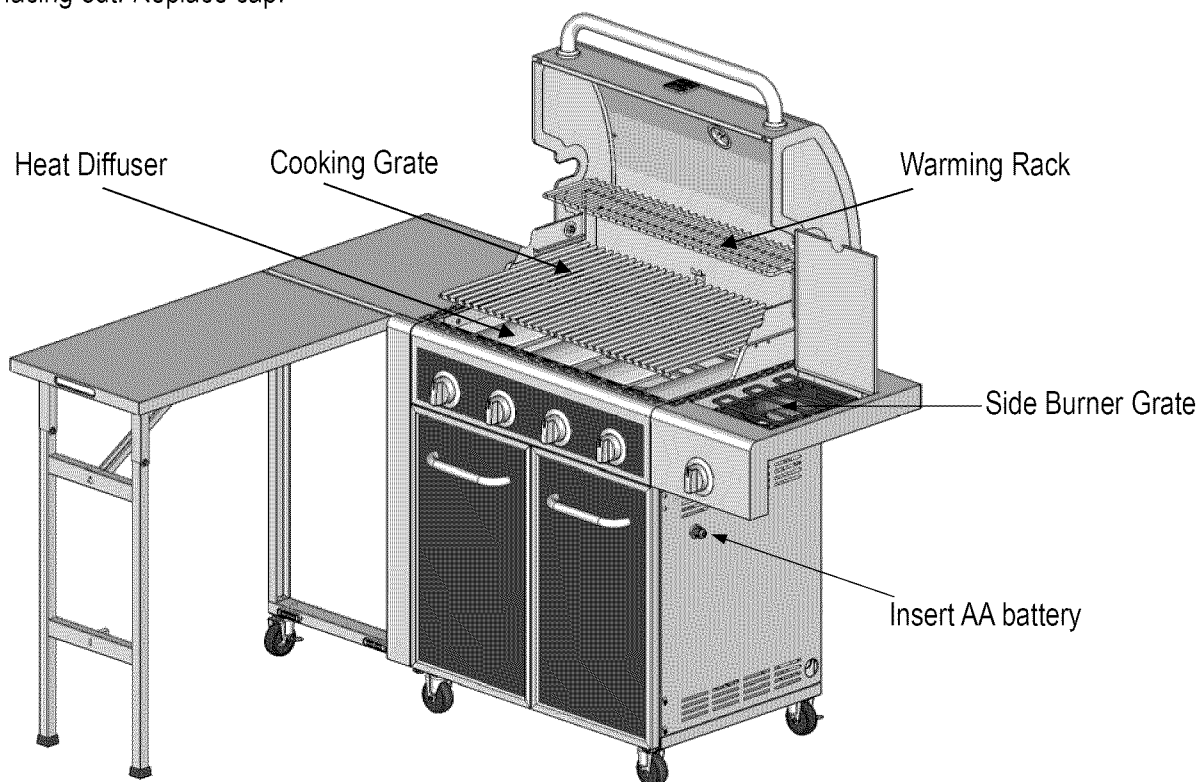
**23**

For each door, insert bottom hole onto bottom panel hinge pin. Push hinge pin in top corner of control panel so that it inserts into top hole in the door. Adjust door magnet on the bottom panel to align the magnet with doors, and then tighten magnet screws.

**24**

#### Install the Heat Diffusers, Cooking Grates, Side Burner Grate and Warming Rack

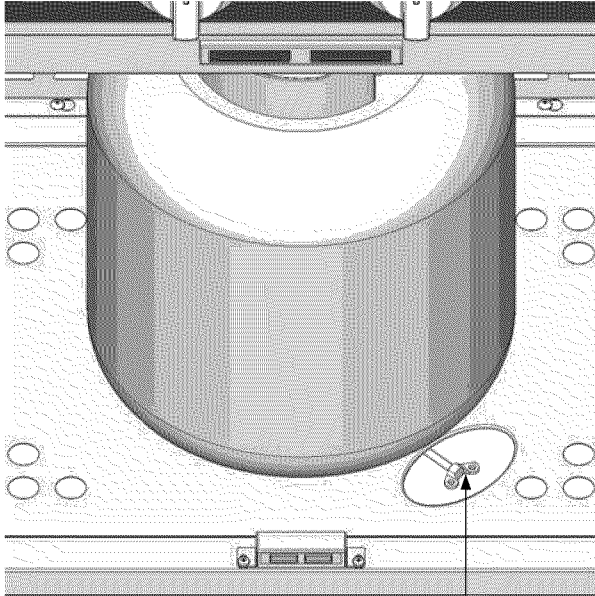
Position the heat diffusers, cooking grates, side burner grate and warming rack as shown. NOTE: The diffuser edges fit into slots at front and back of burner box. Fit the back of the warming rack into the clip on the back wall of the burner box. Remove battery cap and insert AA battery with positive pole facing out. Replace cap.



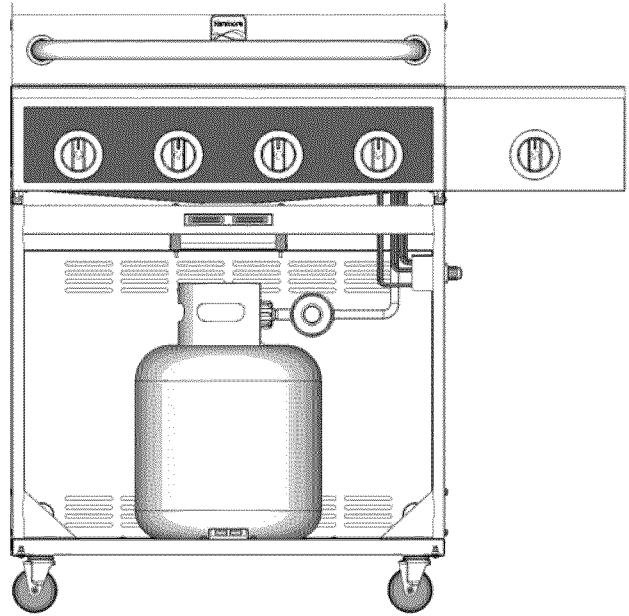
**25**

**LP Tank Installation**

Open front doors of cart. Loosen the wing nut. Set base of tank into cart with tank collar opening facing to the right as shown. Tighten the wing bolt. Connect regulator to tank (see page 5 of Use and Care section).

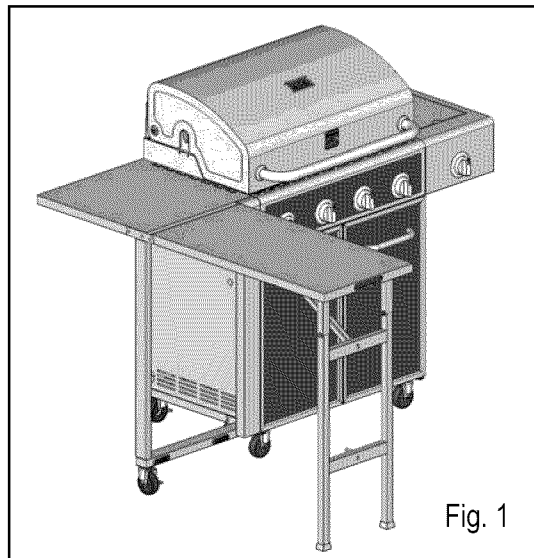


Wing Bolt



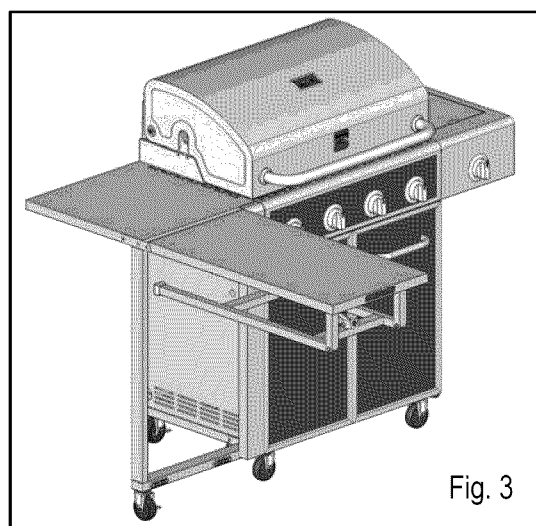
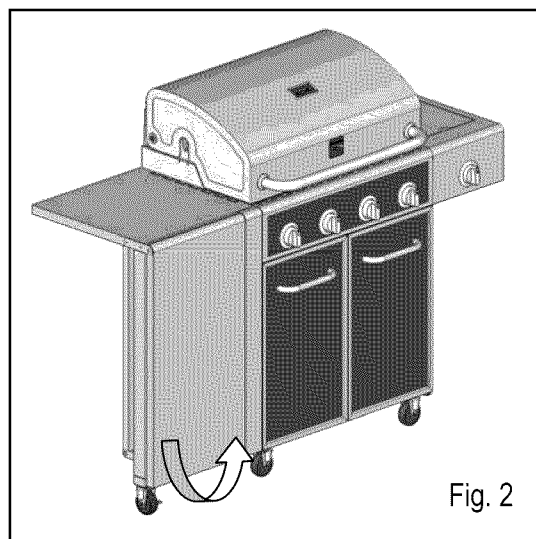
## FOLD OUT BUFFET TABLE INSTRUCTIONS

The grill has a fold out buffet table which can be retracted when not in use. (Fig. 1)



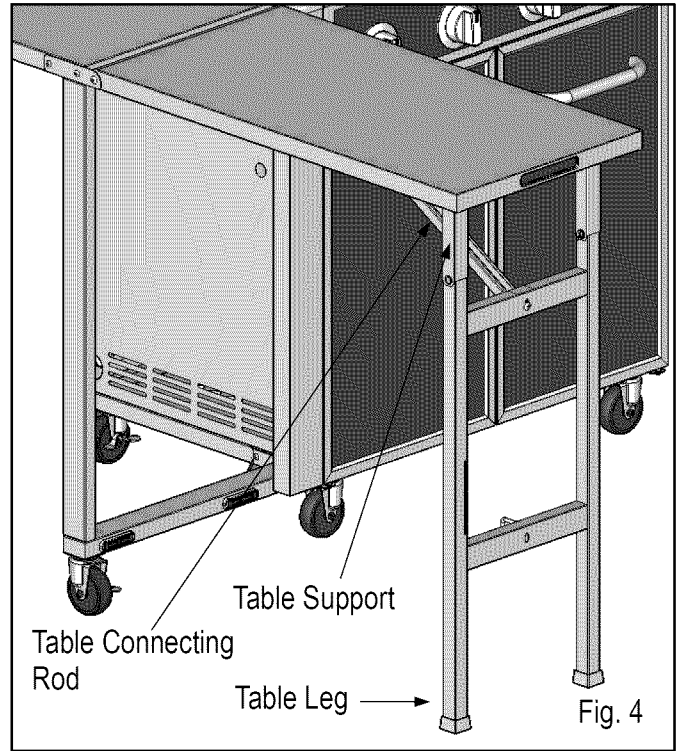
To fold out the buffet table, follow the steps below:

1. Grasp the bottom edge of the table and raise it up to horizontal position. Hold the table in position until lowering the legs in the next step. (Fig. 2, 3)

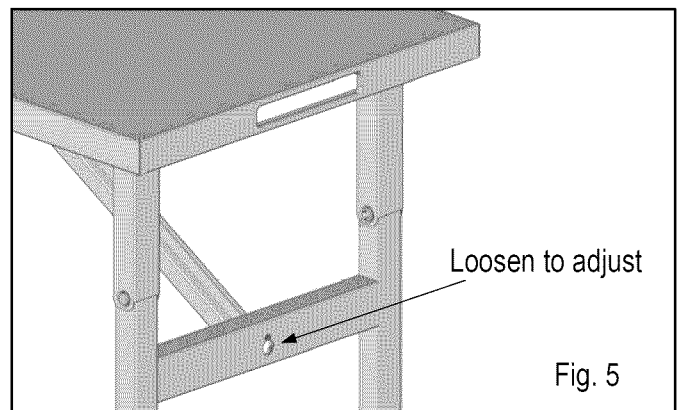




2. Push table legs down until they lock securely into position. (Fig. 4)

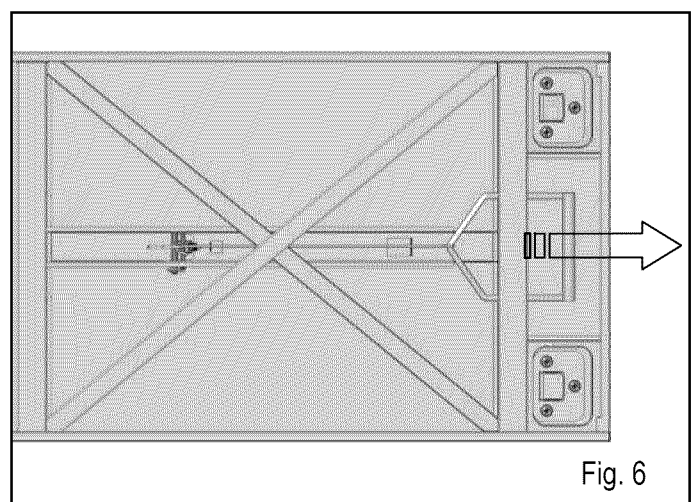


3. If necessary to make legs perfectly straight, loosen the table connecting rod screw as shown. Adjust legs, and retighten screw. (Fig. 5)

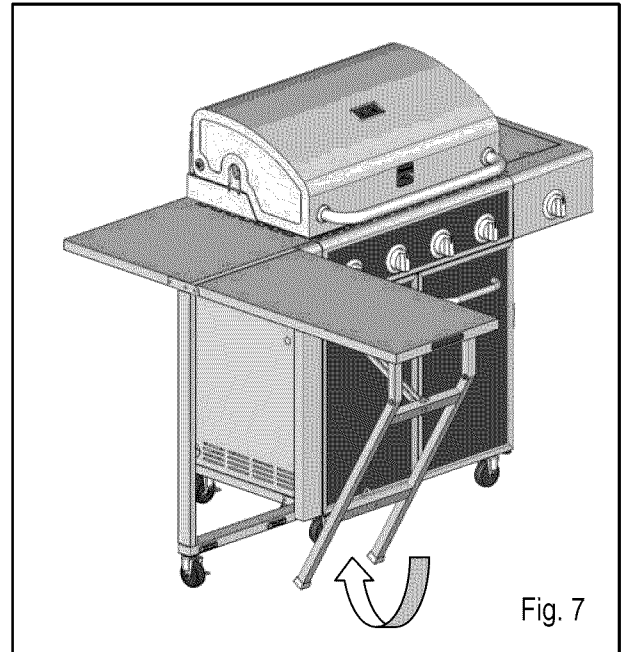


To fold down the buffet table, follow the steps below:

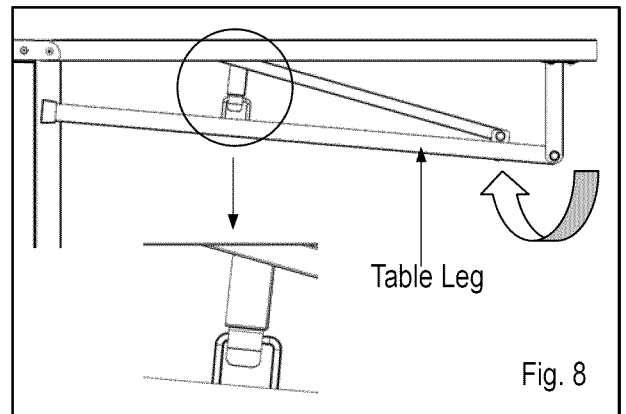
1. Pull out the handle under the table. (Fig. 6)



2. Continue to hold handle pulled out, and lift up table legs. (Fig. 7)



3. Clip the table legs to the underside of the table as shown. (Fig. 8)

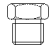



4. Guide the table down until it secures to the magnets on the side shelf bottom support. (Fig. 9)



## Natural Gas Conversion Instructions

The 10478 NG kit contains orifices for various grill models. Please select the orifices as listed and discard the rest. Follow the conversion instruction provided with the kit.

Model	Main burner 1.37mm	Side burner 1.31mm
		
148.23683310	4 pc	1 pc

### Main Burner Conversion

1. Remove the R pins at the back of main burners to detach burners from bracket. Lift back of main burners while sliding burners out of firebox, disengaging main burners from valves. (Fig. 1)

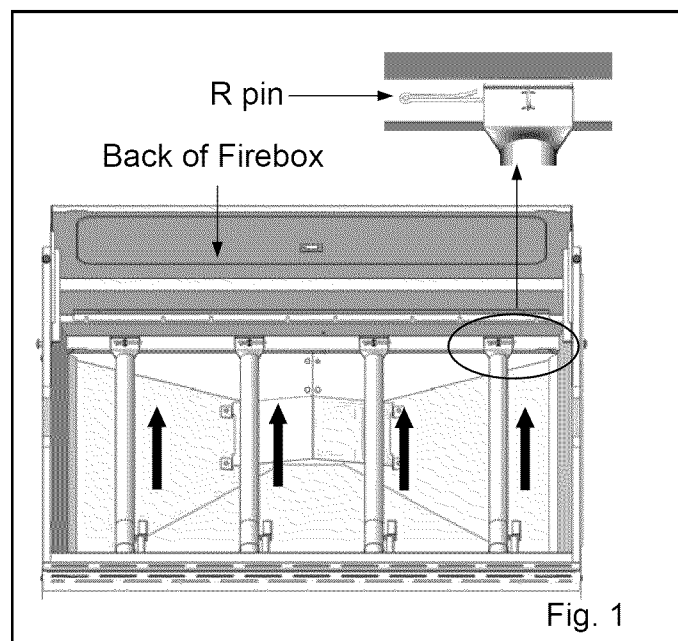


Fig. 1

2. Insert the provided orifice removal tool (B) into burner openings and unscrew orifices from ends of valves. (Fig. 2)

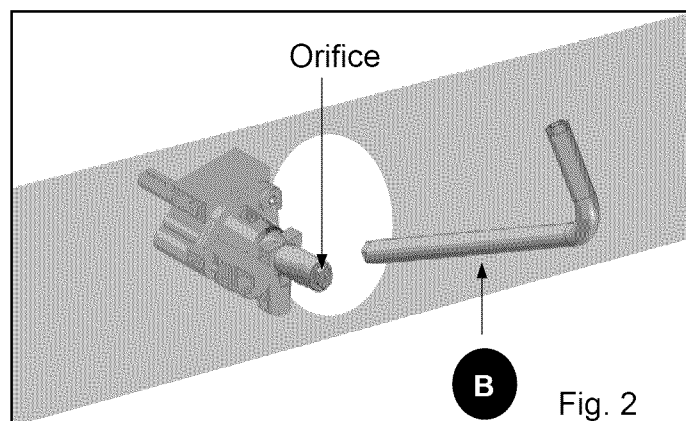
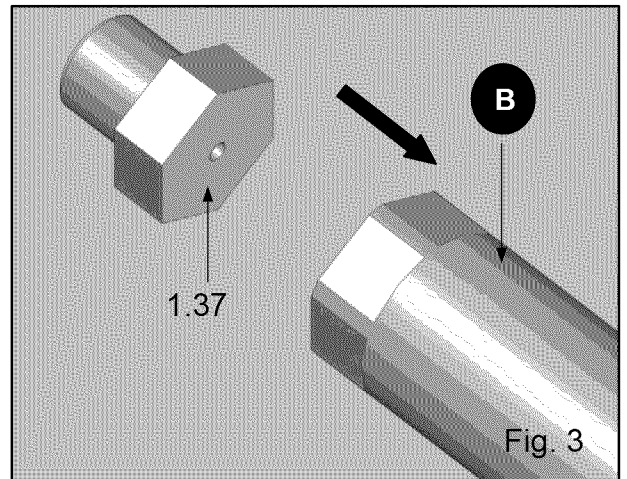


Fig. 2

- Put the new orifice into the orifice removal tool (B), and then insert the tool into the burner opening and tighten the new orifice into the valve.

Repeat this step for all five burners.

**Make sure you are using the correct orifice, which is marked "1.37". (Fig. 3)**

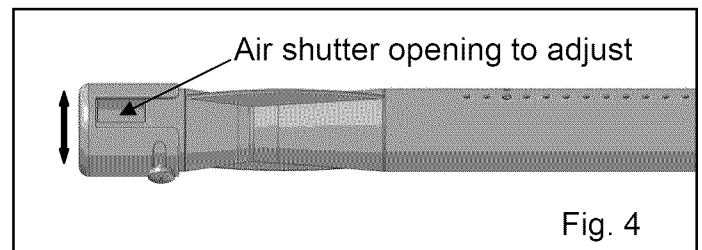


- Rotate the air shutter opening from the LP setting to the NG setting.

LP: 1/4" open

NG: 1/6" to 1/8" open

(Fig. 4)

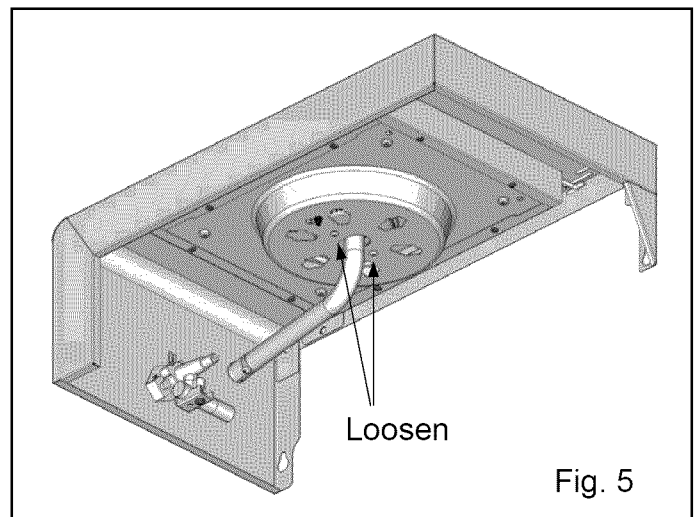


### Side Burner Conversion

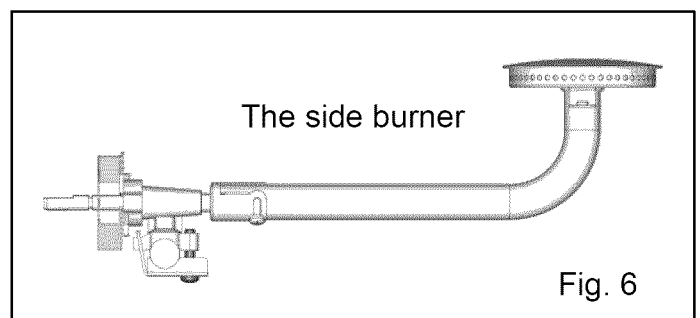
- Loosen the side burner screws to expose the side burner valve.

Insert the tool onto the valve and unscrew orifice from end of valve. Put the new orifice into the orifice removal tool and tighten the new orifice into the valve.

Make sure you are using the correct orifice, which is marked "1.31". (Fig. 5)

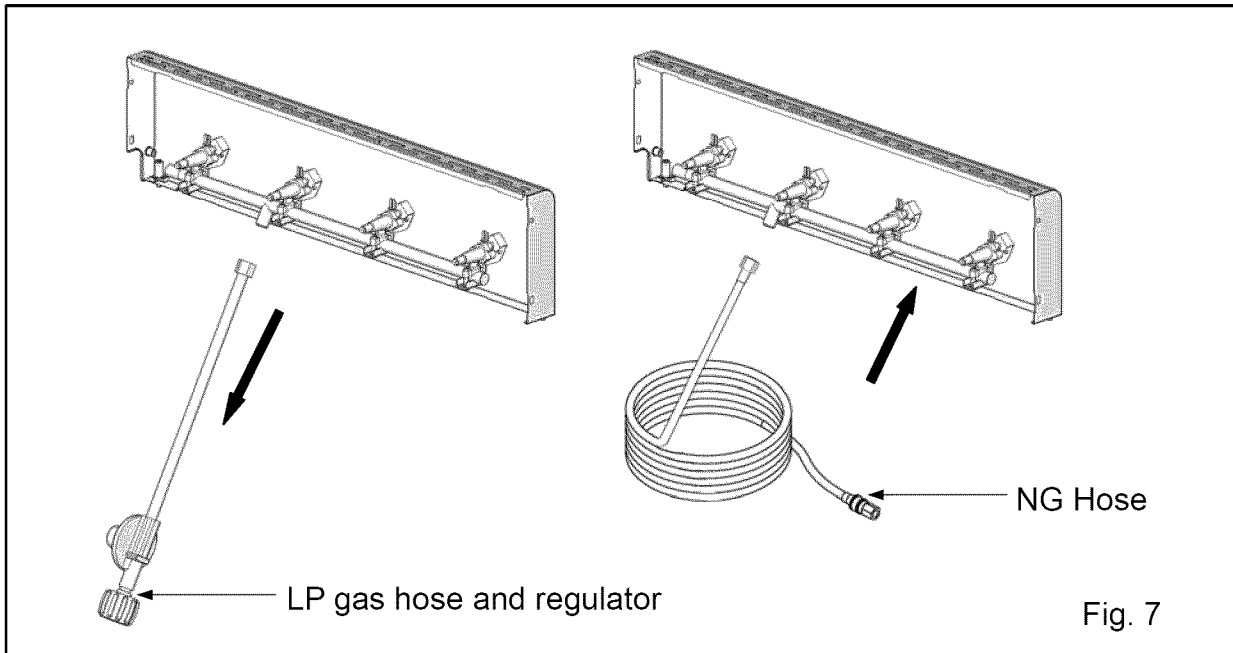


- Engage burner tube over valve as shown and tighten the loosened screws. (Fig. 6)



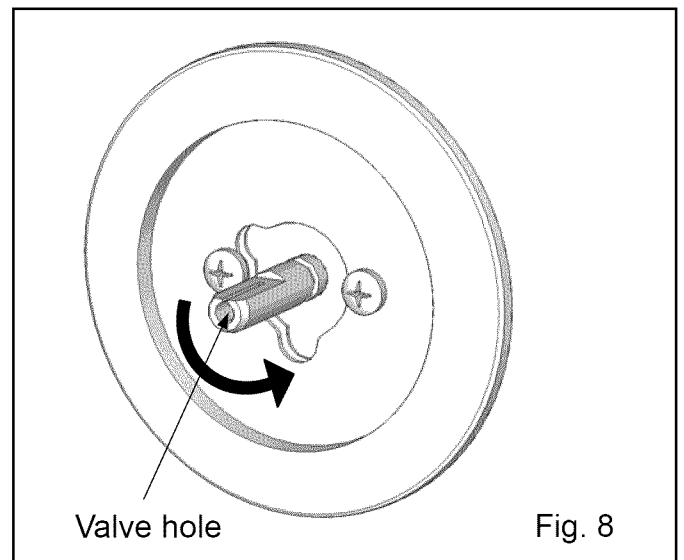
## Natural Gas Hose Connection

1. Remove the LP gas hose and regulator using a wrench, and attach the natural gas hose in its place.  
(Fig. 7)



## Adjust valve control screw

1. Pull all the knobs off of valve stems. Adjust the screw in the valve hole using the flathead screwdriver. Turn screws two complete turns counterclockwise.  
(Fig. 8)



2. Press all the knobs back onto valve stems.
3. After all the conversions are complete, return heat diffusers to firebox, followed by the grates and warming rack.



## Troubleshooting



Problem	Possible Cause	Corrective Action
Grill or side burner will not light	<ol style="list-style-type: none"> <li>1. The ignition wire came off the electrical igniter.</li> <li>2. The distance between the ignition pin and the burner is greater than 0.1-0.2 inch(side burner).</li> <li>3. The ignition wire is broken.</li> <li>4. The battery has died.</li> <li>5. The battery is in the wrong polarity.</li> <li>6. The electrode tip does not produce sparks at the burner port.</li> <li>7. No gas supplied.</li> <li>8. Air shutter opening is too big.</li> </ol>	<ol style="list-style-type: none"> <li>1. Reconnect the ignition wire to the electrical igniter.</li> <li>2. Loosen the ignition pin and adjust the distance, then fasten it again.</li> <li>3. Call customer service for a replacement ignition wire.</li> <li>4. Install a new AA battery.</li> <li>5. Change the battery polarity.</li> <li>6. Reinstall the electrode.</li> <li>7. Turn on the regulator valve.</li> <li>8. Loosen the air shutter and adjust the opening to a smaller size.</li> </ol>
Burner flame is yellow and gas odor can be smelled	<ol style="list-style-type: none"> <li>1. The air shutter opening is not properly set.</li> <li>2. Spiders or insects block the air shutter.</li> <li>3. Gas leaks</li> </ol>	<ol style="list-style-type: none"> <li>1. Loosen the air shutter and adjust the opening to have blue flames. 1/4 in. opening for LPG. 1/8 in. or less opening for NG.</li> <li>2. Clean blockages.</li> <li>3. Check for the source of gas leaks.</li> </ol>
Excessive flare-up	<ol style="list-style-type: none"> <li>1. Grilling fatty meats while knobs on "HIGH".</li> <li>2. Spray water on gas flames.</li> <li>3. Hood closed when grilling.</li> </ol>	<ol style="list-style-type: none"> <li>1. Grill fatty meats when the grids are cold while the knobs are on the "LOW" setting. Move the meats to the warming rack if flare up continues until flame settles down.</li> <li>2. Never spray water on gas flames.</li> <li>3. Hood up when grilling.</li> </ol>

Problem	Possible Cause	Corrective Action										
Burner blows out	<ol style="list-style-type: none"> <li>1. LP tank is empty.</li> <li>2. Burner is not aligned with the control valve.</li> <li>3. Gas supply is not sufficient.</li> </ol>	<ol style="list-style-type: none"> <li>1. Refill the LP Tank.</li> <li>2. Install the burner correctly.</li> <li>3. Check the gas supply hose and make sure there are no leaks and no knots.</li> </ol>										
Low heat with the knob in "HI" position	<ol style="list-style-type: none"> <li>1. Low heat is found in natural gas models.</li> <li>2. Ports are blocked.</li> <li>3. LP tank has run out.</li> </ol>	<ol style="list-style-type: none"> <li>1. This model is set for 7 in. natural gas usage. Please check your natural gas supply system to have correct gas pressure. Regulator is not needed for NG model. Check the orifice if you installed NG nozzles.</li> <li>2. Clear ports of any obstructions.</li> <li>3. Refill the LP tank.</li> </ol>										
Low heat, natural gas	Gas pressure is significantly affected by gas line and length of gas line from house gas line.	<p>Check your gas line and make corrections by following the chart below.</p> <table border="1" data-bbox="919 978 1450 1312"> <thead> <tr> <th colspan="2" data-bbox="919 978 1450 1055">From House to Grill</th> </tr> <tr> <th data-bbox="919 1055 1110 1111">Distance</th> <th data-bbox="1110 1055 1450 1111">Tubing Size</th> </tr> </thead> <tbody> <tr> <td data-bbox="919 1111 1110 1171">Up to 25 ft.</td> <td data-bbox="1110 1111 1450 1171">3/8 in. diameter</td> </tr> <tr> <td data-bbox="919 1171 1110 1223">26 -50 ft.</td> <td data-bbox="1110 1171 1450 1223">1/2 in. diameter</td> </tr> <tr> <td data-bbox="919 1223 1110 1312">51 -100 ft.</td> <td data-bbox="1110 1223 1450 1312">2/3 in. of run 3/4 in. 1/3 in. of run 1/2 in.</td> </tr> </tbody> </table>	From House to Grill		Distance	Tubing Size	Up to 25 ft.	3/8 in. diameter	26 -50 ft.	1/2 in. diameter	51 -100 ft.	2/3 in. of run 3/4 in. 1/3 in. of run 1/2 in.
From House to Grill												
Distance	Tubing Size											
Up to 25 ft.	3/8 in. diameter											
26 -50 ft.	1/2 in. diameter											
51 -100 ft.	2/3 in. of run 3/4 in. 1/3 in. of run 1/2 in.											

Problem	Possible Cause	Corrective Action
Low heat, LP gas	The propane regulator assembly incorporates an excess flow device designed to supply the grill with sufficient gas flow. Rapid changes in pressure can trigger the excess flow device, providing a low flame and low temperature.	Please follow these instructions: 1. Make sure all burners are "OFF". 2. Open the tank valve and wait 5 minutes. 3. Light the burner one at a time following the lighting instructions listed on the door liner
Sudden drop in gas flow or low flame	<ol style="list-style-type: none"> <li>1. Out of gas.</li> <li>2. Excess flow valve tripped.</li> <li>3. Vapor lock at coupling nut/LP cylinder connection.</li> </ol>	<ol style="list-style-type: none"> <li>1. Check for gas in LP cylinder.</li> <li>2. Turn off knobs, wait 30 seconds and light grill. If flames are still low, turn off knobs and LP cylinder valve. Disconnect regulator. Reconnect regulator and leak test. Turn on LP cylinder valve, wait 30 seconds and then light grill.</li> <li>3. Turn off knobs and LP cylinder valve. Disconnect coupling nut from cylinder. Reconnect and retry.</li> </ol>



	<b>PELIGRO</b>	
<p>Si detecta olor a gas:</p> <ol style="list-style-type: none"> <li>1. Cierre el gas que va a la unidad.</li> <li>2. Extinga cualquier llama expuesta.</li> <li>3. Abra la tapa.</li> <li>4. Si el olor continúa, manténgase alejado de la unidad y llame de inmediato a la compañía que le suministra el gas o al departamento de bomberos local.</li> </ol>		

	<b>ADVERTENCIA</b>	
<ol style="list-style-type: none"> <li>1. No almacene ni utilice gasolina ni otros líquidos o vapores inflamables cerca de esta ni de ninguna otra unidad.</li> <li>2. No deberá almacenar cerca de la parrilla ni de ninguna otra unidad un cilindro de LP que no esté conectado para ser utilizado.</li> </ol>		



**Llame al Centro de Servicio de Parrillas para obtener ayuda o repuestos**

Si tiene dudas o necesita asistencia durante el ensamblaje, llame al **1-800-482-0131**. Hablará con un representante del fabricante de la parrilla, no con un empleado de Sears. Para pedir piezas nuevas llame a Sears al **1-800-4-MY-HOME**.

**Registro del producto**

**IMPORTANTE:** Llene la información sobre el registro del producto que aparece a continuación.

Nº del modelo _____
Nº de serie _____ Refiérase a la etiqueta de clasificación de la parrilla para el número de serie.
Fecha de compra _____



	<b>PRECAUCIÓN</b>	
<p>Para uso residencial únicamente. No utilice para cocción comercial.</p>		



**Precauciones de seguridad para la instalación**



- Utilice la parrilla, como la compró, sólo con gas LP (propano) y el ensamble de regulador/válvula que se suministra. Deberá comprar un kit de conversión para uso con gas natural.
- La instalación de la parrilla deberá conformarse con la normativa local, o en ausencia de esta, con la *Normativa Nacional para Combustible de Gas, ANSI Z223.1/NFPA 54, Normativa para instalación de gas natural y propano, CSA B149.1, o la Normativa para almacenaje y manejo de propano, B149.2, o la Norma para vehículos recreacionales, ANSI A 119.2/NFPA 1192, y CSA Z240 Serie RV, Normativa para vehículos recreacionales, según sea aplicable.*
- Todos los accesorios eléctricos (tales como el asador) deberán estar conectados a tierra de conformidad con las normativas locales o con la Normativa Nacional sobre Electricidad, *ANSI/NFPA 70 o la Normativa Canadiense de Electricidad, CSA C22.1. Conserve los cables eléctricos y/o las mangueras de suministro de combustible alejadas de las superficies calientes.*
- Esta parrilla tiene certificación de seguridad para uso en Estados Unidos y/o Canadá únicamente. No modifique para utilizar en cualquier otra ubicación. La modificación constituirá un riesgo a la seguridad.

**Símbolos de seguridad**

Los símbolos y recuadros que aparecen a continuación explican lo que cada enunciado significa. Lea y observe todos los mensajes que se encuentran a través del manual.

	<b>PELIGRO</b>	
<p><b>PELIGRO:</b> Indica una situación de peligro inminente que, de no evitarse, resultará en muerte o lesiones graves.</p>		

	<b>ADVERTENCIA</b>	
<p><b>ADVERTENCIA:</b> Indica una situación de peligro potencial que, de no evitarse, podría resultar en muerte o lesiones graves.</p>		

	<b>ADVERTENCIA</b>	
<p><b>ADVERTENCIA:</b> Indica una situación de peligro potencial que, de no evitarse, podría resultar en muerte o lesiones graves.</p>		

## ÍNDICE

Para su seguridad . . . . .	37
Centro de Servicio para la parrilla . . . . .	37
Información de registro del producto. . . . .	37
Símbolos de seguridad. . . . .	37
Precauciones de seguridad para la instalación. . . . .	37
Garantía de la parrilla Kenmore . . . . .	38
Uso y cuidado . . . . .	39-46
Gas Natural Kit de conversión. . . . .	47
Lista de piezas. . . . .	48
Diagrama de piezas . . . . .	49
Ensamblaje. . . . .	50-65
Instrucciones de conversión de gas natural . . . . .	66-68
Solución de problemas. . . . .	69-71

### Acuerdos de protección para reparación

Felicitaciones por su compra inteligente. Su nuevo producto Kenmore® está diseñado y fabricado para brindarle años de funcionamiento confiable. Pero, como cualquier otro producto, puede que requiera reparaciones de cuando en cuando. Es allí cuando tener un Acuerdo de protección para reparación puede ahorrarle dinero y molestias.

*Adquiera un Acuerdo de protección de reparación ahora y protéjase de molestias y gastos imprevistos.*

He aquí lo que el acuerdo de protección para reparación incluye:

- **Servicio experto** por parte de nuestros 10.000 especialistas profesionales de reparaciones.
- **Servicio ilimitado sin cargo** para las piezas y mano de obra de todas las reparaciones amparadas
- **Reemplazo del producto** hasta \$1500 si el producto amparado no puede arreglarse
- **Descuento del 25%** del precio regular del servicio y las piezas relacionadas instaladas no amparadas por el acuerdo; también, 25% de descuento sobre el precio regular de las revisiones preventivas de mantenimiento
- **Ayuda telefónica rápida** – la llamamos Resolución Rápida – apoyo telefónico de un representante Sears. Piense en nosotros como un manual de servicio parlante.

Una vez que haya adquirido el Acuerdo de Protección para reparación, una simple llamada telefónica es todo lo que necesita para programar el servicio. Puede llamar en cualquier momento, de día o de noche, o programar una cita de servicio a través de Internet.

El Acuerdo de Protección para reparación es una compra sin riesgos. Si cancela por cualquier razón durante el período de garantía del producto, le proporcionaremos un reembolso completo. O un reembolso prorrateado en cualquier momento después de que venza el período de garantía del producto. ¡Adquiera su Acuerdo de Protección para Reparación hoy mismo!

**Some limitations and exclusions apply.**

**For prices and additional information call 1-800-827-6655.**

**Sears Installation Service**

**Ciertas limitaciones y exclusiones aplican.**

**Para precios e información adicional, llame al 1-800-827-6655.**

**Servicio de instalación Sears**

*Para la instalación profesional de electrodomésticos Sears, abridores de puertas de garaje, calentadores de agua y cualquier otro artículo grande en EE.UU., llame al 1-800-4-MY-HOME®*

## GARANTÍA

### Kenmore Un año de garantía limitada

Cuando se instala, se usa y se le hace mantenimiento de acuerdo a las instrucciones suministradas. Si este equipo fallan debido a defectos de los materiales o la mano de obra dentro de un año a partir de la fecha de compra, llame a 1-800-4-MY-HOME® para solicitar reparación gratuita o reemplazo de las partes si la reparación no está disponible.

Durante 10 años a partir de la fecha de compra, cualquier quemador que se oxide se reemplazará de forma gratuita. Después del primer año a partir de la fecha de compra, usted debe responsabilizarse por los costos de la mano de obra de instalación. Toda la cobertura de la garantía excluye las baterías del arrancador y la pérdida de la pintura de la parrilla, de coloración u oxidación de la superficie, las cuales son partes que se desgastan por el uso dentro del período de garantía o son condiciones que se generan del uso normal, accidentes o mantenimiento inapropiado. Toda la cobertura de la garantía haciéndola si este producto se usa alguna vez para propósitos diferentes a actividades privadas del hogar.

### Esta garantía cubre solamente los defectos de los materiales y la mano de obra. Sears no pagará por:

1. Los elementos prescindibles que se desgasten debido al uso normal dentro periodo de garantía, como las baterías, los bombillos y los revestimientos o acabados de la superficie.
2. Un técnico de servicio brindará instrucciones al usuario sobre la forma correcta de instalación, operación o mantenimiento.
3. Un técnico de servicio limpiará o hará mantenimiento este producto.
4. Este producto se dañará si nos instala, opera ni se le hace mantenimiento de acuerdo a las instrucciones suministradas con este producto.
5. Los daños o fallas de este producto debido a accidentes, abuso, mal uso o el uso para otros propósitos diferentes a los indicados.
6. El daño fallas de este producto causados por el uso de detergentes, limpiadores, químicos o utensilios diferentes a los recomendados en todas las instrucciones suministradas con el producto.
7. Daños o fallas de partes o sistemas generados por modificaciones no autorizadas hechas a este producto.

### Exención de responsabilidad de las garantías implícitas; limitación de los remedios

El único remedio exclusivo del cliente bajo esta garantía limitada debe ser reparar el producto de acuerdo a lo expresado en ella. Las garantías implícitas, incluyendo las garantías de comerciabilidad o idoneidad para un propósito particular, están limitadas a un año o al período más corto permitido por la ley. Sears No se responsabilizará por daños incidentales o indirectos. Algunos estados y provincias no permiten la exclusión o limitación de los daños incidentales o indirectos, ni la limitación de la duración de las garantías implícitas de comerciabilidad o idoneidad, de tal forma que estas exclusiones o limitaciones puede que no se apliquen a usted.

Esa garantía se aplica solamente mientras este aparato se use en los Estados Unidos.

Esta garantía le otorga a usted derechos legales específicos y es posible que también tenga otros derechos que varían según el estado.

**Sears Brands Management Corporation, Hoffman Estates, IL 60179**

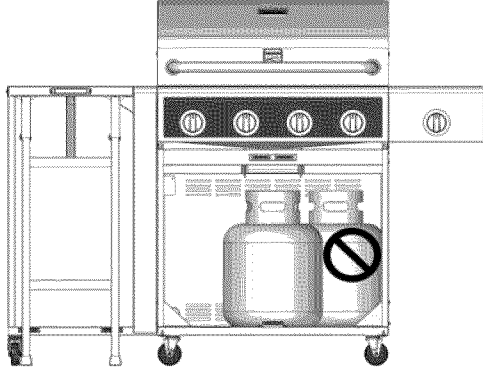
## USO Y CUIDADO



### PELIGRO



- **NUNCA** guarde un cilindro de repuesto de LP debajo ni cerca de la parrilla ni en un área encerrada

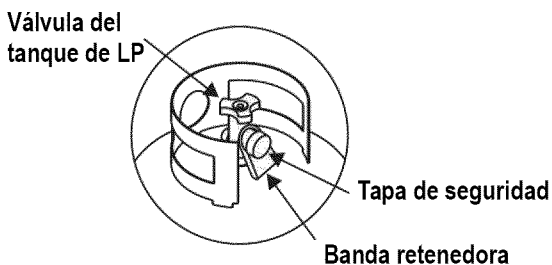


- Nunca llene un cilindro a más del 80% de su capacidad.
- Si la información de los dos puntos anteriores no se sigue exactamente, puede ocurrir un incendio que ocasione la muerte o lesiones graves.
- Un cilindro que se haya llenado excesivamente o inadecuadamente almacenado es un peligro debido a la posibilidad de que la válvula de seguridad para alivio de la presión libere gas. Esto podría ocasionar un incendio intenso con riesgo de daños a la propiedad, lesiones graves o la muerte.
- Si ve, huele o escucha gas escapando, aléjese inmediatamente del cilindro de LP y de la parrilla y llame al departamento de bomberos.

#### Remoción del tanque de LP, transporte y almacenaje

- Cierre (gire a OFF) todas las perillas de control y la válvula del tanque de LP. Gire la tuerca de acople en el sentido antihorario manualmente solamente – no utilice herramientas para desconectar. Levante el cable del tanque de LP de la anilla del tanque LP, luego levante el tanque y sáquelo del soporte. Instale la tapa de seguridad en la válvula del tanque de LP. Siempre utilice la tapa y la banda que se suministra con la válvula.

No utilizar la tapa de seguridad como se indica puede ocasionar lesiones personales graves y/o daño a la propiedad.



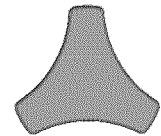
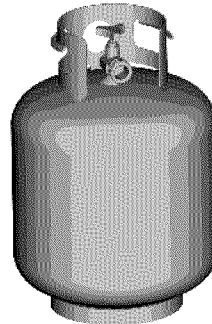
- Un tanque de LP desconectado para almacenar o transportar deberá tener colocada la tapa de seguridad (como se ilustra). No almacene un tanque de LP en espacios cerrados tales como un puesto de estacionamiento, garaje, porche, patio cubierto u otro edificio. Nunca deje un

tanque de LP dentro de un vehículo que pueda recalentarse con el sol.

- No guarde un tanque de LP en un área donde jueguen los niños.

#### Cilindro de LP

- El cilindro de LP utilizado con su parrilla deberá cumplir con los siguientes requisitos:
- Utilice los cilindros de LP con estas medidas requeridas: 12" (30,5 cm) (diámetro) x 18" (45,7 cm) (alto) con 20 lb. (9,1 kg) de capacidad máxima.
- Los cilindros de LP deberán estar fabricados y marcados de acuerdo con las especificaciones para cilindros LP del Departamento de Transporte de EE.UU. (DOT) o para Canadá, CAN/CSA-B339, cilindros, esferas y tubos para transporte de mercancías peligrosas. Transport Canada (TC). Refiérase al anillo del cilindro LP para las marcas.
- La válvula del cilindro LP deberá tener:
- Salida tipo 1 compatible con el regulador o la parrilla.
- Válvula de alivio de la presión.
- Dispositivo de protección contra el sobrellenado con clasificación UL (OPD). Esta característica OPD de seguridad se identifica por una rueda manual triangular única. **Utilice sólo los cilindros LP equipados con este tipo de válvula.**
- El cilindro LP deberá estar acondicionado para salida de vapor e incluir un anillo para proteger la válvula LP del cilindro. Siempre conserve los cilindros LP en posición vertical durante el uso, tránsito o almacenaje.



Rueda manual OPD

Cilindro de LP en posición vertical para la eliminación del vapor LP (Liquefied Petroleum Gas)

- LP gas is nontoxic, odorless and colorless when produced. **For Your Safety.** LP gas has been given an odor (similar to rotten cabbage) so that it can be smelled.
- LP gas is highly flammable and may ignite unexpectedly when mixed with air.

#### Llenado del cilindro LP

- Utilice sólo distribuidores autorizados y experimentados.
- El distribuidor LP **deberá purgar el cilindro nuevo** antes de llenarlo.
- El distribuidor **NUNCA** deberá llenar el cilindro LP más del 80% del volumen del cilindro LP. El volumen de propano en el cilindro variará con la temperatura.
- Un regulador con escarcha indicará que está sobrellenado. Cierre inmediatamente la válvula del cilindro LP y llame al distribuidor de gas LP local para asistencia.
- No libere gas de propano líquido (LP) en la atmósfera. Esta es una práctica peligrosa.
- Para retirar el gas del cilindro LP, contacte a un distribuidor LP o llame a los bomberos locales para obtener asistencia. Revise el directorio telefónico bajo "Compañías de Gas" para el distribuidor de LP certificado más cercano.


## Intercambio del tanque LP

- Muchos distribuidores que venden parrillas ofrecen la opción de reemplazar su tanque vacío de LP a través de un servicio de intercambio. Utilice sólo las empresas de intercambio con reputación que inspeccionan, llenan con precisión, prueban y certifican sus cilindros. **Intercambie su tanque sólo por un tanque equipado con la característica de seguridad OPD según se describe en la sección "Tanque LP" de este manual.**
- Siempre conserve los tanques LP nuevos e intercambiados en posición vertical durante el uso, transporte o almacenaje.
- **Haga la prueba de fugas en los tanques LP intercambiados ANTES de conectarlo a la parrilla.**


## Prueba de fuga del tanque LP

### Para su seguridad

- La prueba de fuga deberá repetirse cada vez que se intercambia o se rellena un tanque de LP.
- No fume durante la prueba de fugas.
- No utilice una llama expuesta para revisar las fugas de gas.
- La parrilla deberá probarse en busca de fugas en exteriores, en un área bien ventilada, alejada de las fuentes de ignición tales como los aparatos de encendido a gas o eléctrico. Durante la prueba de fugas, mantenga la parrilla alejada de las llamas expuestas o chispas.
- Utilice una brocha limpia y una solución de 50/50 detergente suave y agua. Aplique la solución jabonosa en las áreas que indican las flechas de la figura. Las fugas se identifican mediante burbujas crecientes.

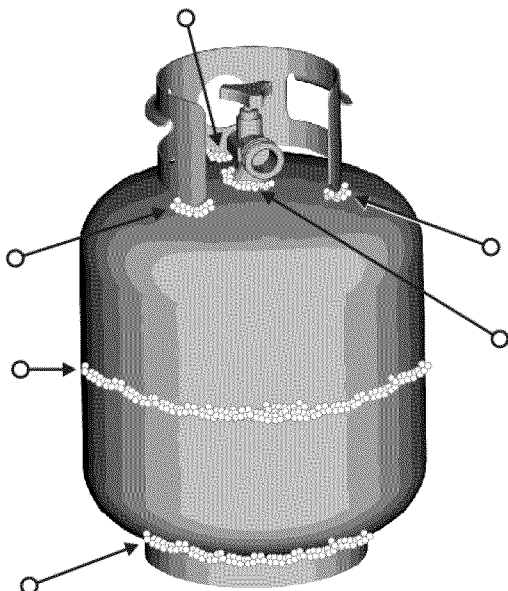


# ADVERTENCIA



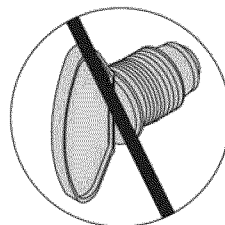
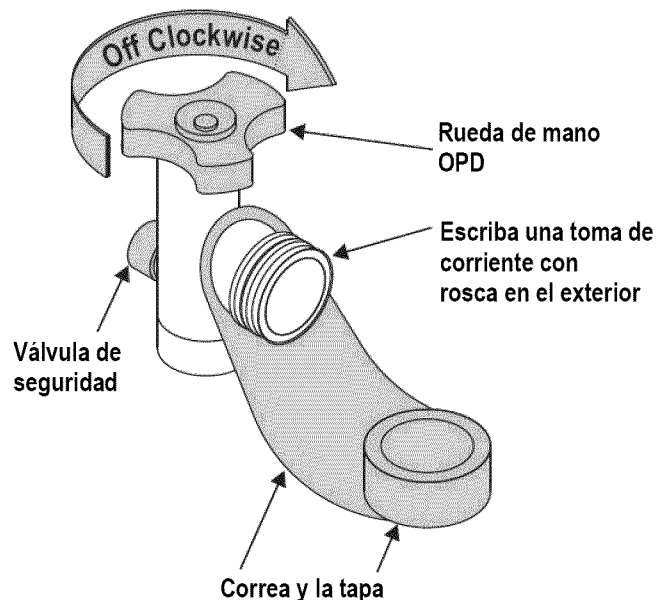
Si aparecen burbujas "creciendo" no utilice ni mueva el tanque de LP. ¡Contacte un distribuidor de gas LP o a los bomberos!

- ▲ No utilice agentes limpiadores domésticos. Podrían causar daños a los componentes y tuberías de gas (válvula/manguera/regulador).



## Cómo conectar el regulador al tanque de LP

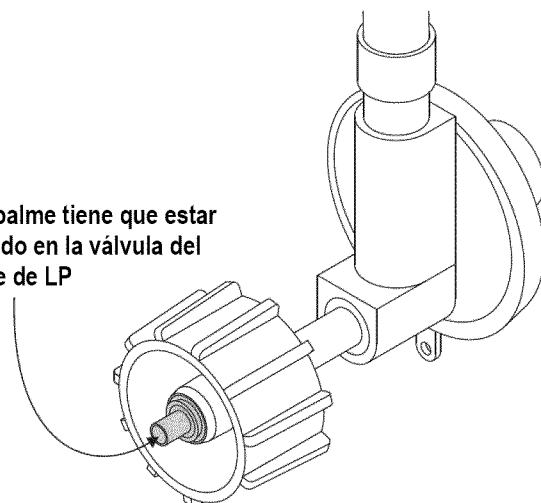
1. El tanque de LP deberá estar adecuadamente fijado a la parrilla. (Refiérase a la sección de ensamblaje).
2. Gire todas las perillas de control a la posición OFF.
3. Coloque el tanque de LP en la posición OFF girando la rueda manual OPD en sentido horario hasta que se **detenga totalmente**.
4. Retire la tapa protectora de la válvula del tanque LP. Siempre utilice la tapa y la banda que se suministran con la válvula.

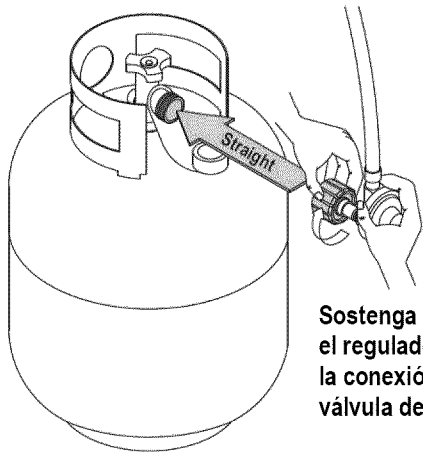


**No inserte un tapón de transporte POL (pieza plástica con roscas externas) en la salida tipo 1 de la válvula del tanque. Anulará la función de la válvula de seguridad.**

5. Sostenga el regulador e inserte el empalme en la válvula del tanque de LP. Apriete a mano la tuerca de acople, sosteniendo el regulador en línea recta con la válvula del tanque de LP a objeto de no dañar la rosca.

El empalme tiene que estar centrado en la válvula del tanque de LP





Sostenga la tuerca de empalme y el regulador como se ilustra para la conexión adecuada a la válvula del tanque de LP.

6. Gire la tuerca de acople en el sentido horario y apriete hasta que se detenga completamente. El regulador sellará en la función disminución de e revisión de la válvula amortiguadora del tanque de LP, lo cual ocasiona cierta resistencia. **Se necesita un giro adicional de mitad o tres cuartos para completar la conexión. Apriete a mano únicamente – no utilice herramientas.**

**NOTA:**

Si no puede completar la conexión, desconecte el regulador y repita los pasos 5 y 6. Si aún no puede concluir la conexión, **¡no utilice este regulador!** Llame al 1-800-482-0131 para obtener asistencia.

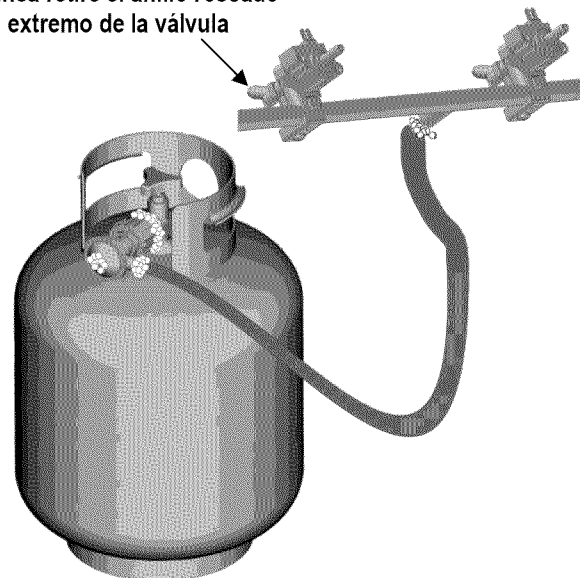
	<b>PELIGRO</b>	
<ul style="list-style-type: none"> <li>• No inserte ninguna herramienta ni objeto extraño en la salida de la válvula ni en la válvula de seguridad. Puede dañar la válvula y ocasionar una fuga. Las fugas de propano podrían ocasionar una explosión, incendio, lesiones personales graves o la muerte.</li> </ul>		

	<b>ADVERTENCIA</b>	
<ul style="list-style-type: none"> <li>• Las unidades de gas para exteriores no están diseñadas para ser instaladas en un barco.</li> <li>• Las unidades de gas para exteriores no están diseñadas para ser instaladas en vehículos recreacionales.</li> <li>• Nunca intente fijar esta parrilla al sistema de gas LP autónomo de una caravana, remolque o casa rodante.</li> <li>• No utilice la parrilla hasta que haya efectuado la prueba de las fugas.</li> <li>• Si detecta una fuga en cualquier momento, PARE y llame a los bomberos.</li> <li>• Si no puede detener una fuga de gas <i>inmediatamente</i> cierre la válvula del cilindro LP y ¡llame al distribuidor de gas o a los bomberos!</li> </ul>		

**Válvulas para prueba de fugas, manguera y regulador**

1. Gire todas las perillas de control de la parrilla a la posición OFF (cerrado).
2. Cerciórese de que el regulador esté conectado de forma bien ajustada al tanque de LP.
3. Abra completamente la válvula del tanque de LP girando la rueda manual OPD en el sentido antihorario. Si escucha un *sonido semejante a una ráfaga*, cierre el gas inmediatamente. Hay una fuga importante en la conexión. **Corrija antes de proceder** llamando a Sears para obtener piezas de repuesto al **1-800-4-MY-HOME®**.
4. Aplique la solución jabonosa con una brocha en las áreas donde aparecen burbujas en la ilustración:

▲ Nunca retire el anillo roscado del extremo de la válvula

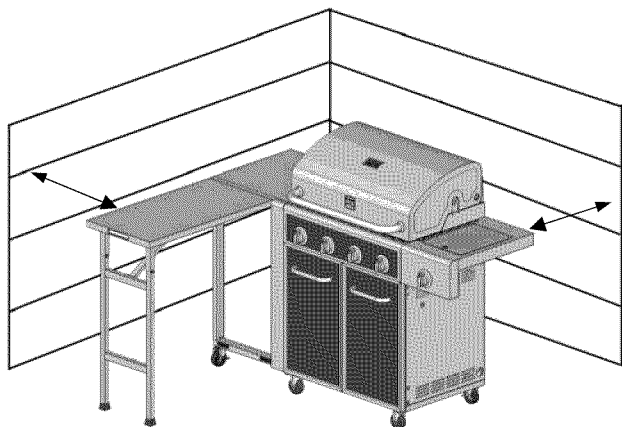


5. Si aparecen burbujas que **“crecen”**, hay una fuga. Cierre la válvula del tanque de LP inmediatamente y vuelva a apretar las conexiones. Si no puede detener las fugas no trate de repararlas. Llame a Sears para pedir piezas de repuesto al **1-800-4-MY-HOME®**.
6. Siempre cierre la válvula del tanque de LP después de realizar la prueba de fugas, girando la rueda manual en el sentido horario.

## ADVERTENCIA

### Para el uso seguro de su parrilla y para evitar lesiones graves:

- No permita que los niños hagan funcionar la parrilla ni deje que jueguen cerca de ella.
- Conserve el área de la parrilla despejada y sin materiales que pudiesen arder.
- No obstruya los agujeros de los costados o la parte posterior de la parrilla.
- Revise las llamas del quemador regularmente.
- Utilice la parrilla sólo en un espacio bien ventilado. **NUNCA** la utilice en un espacio cerrado tal como un puesto de estacionamiento, garaje, porche, patio cubierto o bajo una estructura de cualquier tipo.
- No use carbón ni briquetas de cerámica en una parrilla de gas. (A menos que las briquetas se suministren con su parrilla.)
- **Use la parrilla a una distancia de al menos 3' (91 cm) de cualquier pared o superficie.** Mantenga una separación de 10' (3 m) de los objetos que puedan incendiarse o de las fuentes de ignición como luces de encendido de calentadores de agua, electrodomésticos con conexión activa, etc.



### • Ocupantes de apartamentos:

Revisen con la administración para conocer los requisitos y las normativas sobre incendio relativas al uso de una parrilla de gas LP en su complejo de apartamentos. Si se permiten, utilice fuera sobre piso de planta baja con una separación de 3 pies (91 cm) de paredes o barandas. No utilice en balcones o debajo de ellos.

- **NUNCA** intente encender un quemador con la tapa cerrada. Una acumulación de gas sin encender dentro de una parrilla cerrada es peligrosa.
- **Nunca** haga funcionar la parrilla si el cilindro de LP no está en la posición correcta especificada en las instrucciones de ensamblaje.
- Siempre cierre la válvula del cilindro de LP y retire la tuerca de acople antes de mover el cilindro de la posición especificada para el funcionamiento.

### Consejos prácticos sobre seguridad

- ▲ Antes de abrir la válvula del cilindro de LP, verifique que la tuerca de acople esté bien apretada.
- ▲ Cuando la parrilla no esté en uso, cierre todas las perillas de control y la válvula del cilindro LP.
- ▲ Nunca mueva la parrilla mientras esté en funcionamiento o aún caliente.
- ▲ Utilice utensilios de mango largo para parrilla y guantes para horno para evitar quemaduras o salpicaduras.
- ▲ La carga máxima para el quemador lateral y el anaquel lateral es 10 lb (4,6 kg).
- ▲ La bandeja recolectora de grasa deberá estar insertada en la parrilla y vaciarse después de cada uso. No retire la bandeja de grasa hasta que la parrilla se haya enfriado completamente.
- ▲ Limpie la parrilla a menudo, preferiblemente después de terminar cada parrillada al aire libre. Si utiliza una brocha de cerdas para limpiar cualquiera de las superficies de cocción de la parrilla, cerciórese de no dejar cerdas sueltas en las superficies de cocción antes de asar. No se recomienda limpiar las superficies de cocción mientras estén calientes.
- ▲ Si observa grasa u otro material caliente goteando de la parrilla en la válvula, manguera o regulador, apague el suministro de gas inmediatamente. Determine la causa, corrijala y limpie e inspeccione la válvula, manguera y regulador antes de continuar. Realice una prueba de fugas.
- ▲ Las aberturas de ventilación en el compartimiento del cilindro (en el carrito de la parrilla) deben mantenerse sin obstrucciones ni desechos.
- ▲ No almacene objetos ni materiales dentro del compartimiento del carrito de la parrilla que pudiesen bloquear el flujo del aire de combustión a la parte inferior del panel de control o del tazón de la cámara de combustión.
- ▲ El regulador puede hacer un sonido de silbido o zumbido durante el funcionamiento. Esto no afecta la seguridad ni el uso de la parrilla.
- ▲ Si tiene un problema con la parrilla, refiérase a la "Sección de solución de problemas".
- ▲ Si el regulador se congela, apague la parrilla y la válvula del cilindro de LP de inmediato. Esto indica un problema con el cilindro y no debe ser utilizado con ningún producto. ¡Regrese al distribuidor!

## PRECAUCIÓN

- **Apagar los incendios que produce la grasa cerrando la tapa no es posible. Las parrillas están bien ventiladas por razones de seguridad.**
- **No utilice agua en un incendio ocasionado por la grasa. Podrían ocurrir lesiones personales. Si se desarrolla un incendio originado por la grasa, gire las perillas y el cilindro de LP a la posición de apagado.**
- **No deje la parrilla desatendida mientras precalienta o limpia mediante el calor los residuos de comidas en "HI". Si la parrilla no se ha limpiado regularmente, puede ocurrir un incendio causado por la grasa que pudiera dañar el producto.**

### Cómo encender la parrilla con el encendedor


1. Lea las instrucciones antes de encender la parrilla.
2. Abra la tapa durante el encendido.
3. Abra la válvula del cilindro de LP o gas natural.
4. Presione hacia adentro cualquier perilla de control del quemador y gire la perilla hacia la izquierda a la posición "HI". Continúe presionando la perilla hasta que el quemador se encienda.




- Si no enciende en 5 segundos, apague el control del quemador, espere 5 minutos para que se disipe el gas y repita el procedimiento de encendido.
- Para encender otros quemadores, repita el paso 4.  
NOTA: Si el encendedor no funciona, siga las instrucciones de encendido con fósforos.




**ADVERTENCIA**



**Apague (coloque en OFF) los controles y la alimentación de gas del tanque cuando no esté en uso.**



**PRECAUCIÓN**

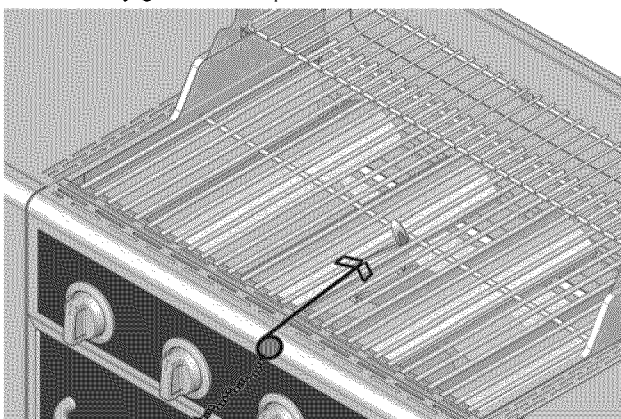


Si no enciende en 5 segundos, apague el control del quemador, espere 5 minutos y repita el procedimiento de encendido. Si el quemador no enciende con la válvula abierta, el gas continuará fluyendo por el quemador y podría encenderse accidentalmente con el riesgo de lesiones.

### Encendido con fósforos

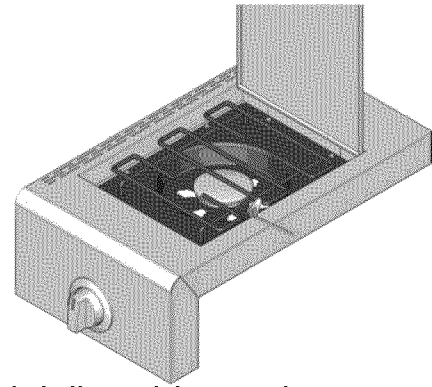
▲ **No se incline sobre la parrilla para encenderla.**

- Abra la tapa durante el encendido.**
- Coloque el fósforo en el portafósforos (que cuelga del costado del carrito). Encienda el fósforo, colóquelo en la cámara de combustión.
- Presione hacia adentro y gire la perilla derecha a la posición HIGH. Cerciérese de que el quemador prende y permanece encendido.
- Encienda otros quemadores presionando la perilla hacia adentro y girando a la posición HI.



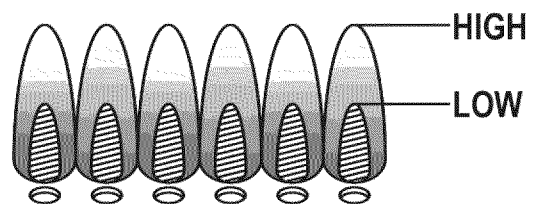
### Encendido del quemador lateral con fósforo

- Abra la tapa del quemador lateral.** Abra el gas en el cilindro LP
- Coloque el fósforo encendido cerca del quemador.
- Gire la perilla del quemador lateral a HI. Cerciérese de que el quemador prende y permanece encendido.



### Revisión de la llama del quemador

- Retire las rejillas de cocción y los difusores de calor. Encienda los quemadores, gire las perillas de HIGH a LOW. Debe ver una llama más pequeña en la posición LOW que la que vio en HIGH. Efectúe una revisión de la llama del quemador en el quemador lateral también. Siempre revise la llama antes de cada uso.



### Cómo apagar la parrilla

- Gire todas las perillas a la posición OFF. Coloque el tanque de LP en la posición OFF girando la rueda manual en sentido horario hasta que se detenga totalmente.

### Revisión del encendedor

- Cierre el gas en el cilindro de LP.** Presione la perilla de control hacia adentro y gire la perilla hacia la izquierda a la posición "HI". Debe escuchar un "clic" y ver una chispa cada vez entre la caja colectora o el quemador y el electrodo. Refiérase a "Solución de problemas" si no escucha un clic ni ve una chispa.

### Revisión de la válvula

- Importante: Cerciérese de que el gas esté apagado en el cilindro de LP antes de revisar las válvulas.** Las perillas trancan en la posición OFF. Para revisar las válvulas, primero presione las perillas hacia adentro y suelte, las perillas deben regresar hacia atrás mediante el resorte. Si no lo hacen, reemplace el ensamble de la válvula antes de utilizar la parrilla. Gire las perillas a la posición LOW y luego nuevamente a OFF. Las válvulas deben girar suavemente.

### Revisión de la manguera

- Antes de cada uso, revise si las mangueras tienen algún corte o están gastadas. Cambie las mangueras gastadas antes de utilizar la parrilla. Utilice sólo piezas de repuesto idénticas para válvula/manguera/regulador según lo especificado en la Lista de piezas de esta guía de uso y cuidado.

### Limpieza general de la parrilla

- No confunda la acumulación de grasa y humo marrón o negro con la pintura. El interior de las parrillas de gas no está pintado de fábrica (**y nunca debe pintarse**). Aplique una solución fuerte de agua y detergente o utilice un limpiador de parrilla con un cepillo para frotar en las partes internas de la tapa o la parte inferior de la parrilla. Enjuague y

deje secar completamente al aire. **No aplique limpiador cáustico para parrilla/horno a las superficies pintadas.**

- **Partes plásticas:** Lave con agua caliente jabonosa y seque. No utilice Citrisol, limpiadores abrasivos, desengrasadores ni un limpiador concentrado para parrilla en las partes plásticas. Pueden ocurrir daños y falla en esas partes.
- **Superficies de porcelana:** Debido a la composición semejante al vidrio, la mayoría de los residuos pueden limpiarse con una solución de bicarbonato de soda/agua o un limpiador especialmente formulado. Utilice polvo no abrasivo para frotar las manchas rebeldes.
- **Superficies pintadas:** Lave con detergente suave o limpiador no abrasivo y agua jabonosa tibia. Seque con un paño suave no abrasivo.
- **Superficies de acero inoxidable:** Para conservar la apariencia de alta calidad de su parrilla, lávela con agua tibia y detergente suave y séquela con un paño suave después de cada uso. Los depósitos de grasa adherida podrán requerir el uso de una almohadilla de limpieza plástica abrasiva. Utilice sólo en la dirección del acabado cepillado para evitar daños. No utilice la almohadilla abrasiva en áreas con gráficos.
- **Superficies de cocción:** Si utiliza una brocha de cerdas para limpiar cualquiera de las superficies de cocción de la parrilla, cerciórese de no dejar cerdas sueltas en las superficies de cocción antes de asar. No se recomienda limpiar las superficies de cocción mientras estén calientes.

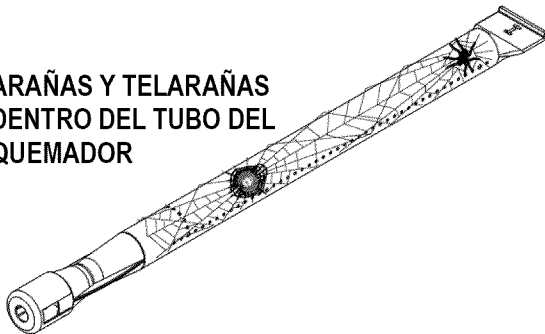


## PRECAUCIÓN



### ¡ALERTA DE ARAÑAS!

#### ARAÑAS Y TELARAÑAS DENTRO DEL TUBO DEL QUEMADOR



*Si observa que la parrilla tiene dificultades para encender o que la llama no es tan fuerte como debería, tómese el tiempo de revisar y limpiar los tubos del quemador.*

En algunas áreas del país, las arañas o los insectos pequeños tienden a crear problemas de "llamas de retroceso". Las arañas tejen telarañas, construyen nidos y ponen huevos en los tubos del quemador obstruyendo el flujo de gas hacia el quemador. El gas acumulado puede incendiarse en el tubo del quemador detrás del panel de control. Esto se conoce como "llamas de retroceso" y puede dañar la parrilla e incluso ocasionar lesiones.

Para evitarlos y lograr buen desempeño del quemador el ensamble del tubo del quemador debe retirarse de la parrilla y limpiarse antes del uso siempre que la parrilla haya estado sin uso durante un período prolongado.

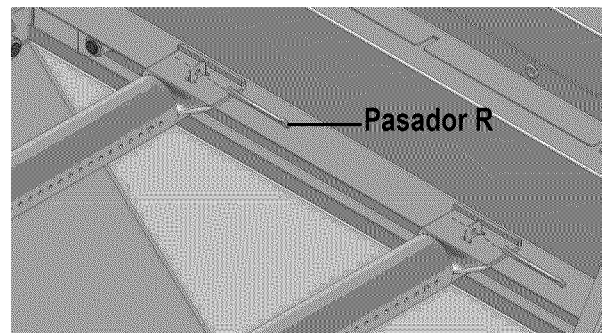
### Almacenaje de la parrilla

- Limpie las rejillas de cocción.
- Guarde en una ubicación seca.
- Cuando el cilindro de LP está conectado a la parrilla, mantenga en interiores en un espacio bien ventilado y fuera del alcance de los niños.
- Cubra la parrilla si está en exteriores. Elija una cubierta para parrilla del surtido que ofrece el fabricante.
- Guarde la parrilla en interiores SÓLO si el cilindro LP está apagado y desconectado, retirado de la parrilla y conservado en exteriores.
- Cuando saque la parrilla de donde la guarda, siga las instrucciones de "Limpieza del ensamble del quemador" antes de encenderla.

### Limpieza del ensamble del quemador

Siga estas instrucciones para limpiar y/o reemplazar las piezas del ensamble del quemador o si tiene problemas para encender la parrilla.

1. Apague el gas en las perillas de control y en el cilindro de LP.
2. Retire las rejillas de cocción y los difusores de calor.
3. Retire los pasadores R de los quemadores traseros.
4. Levante cuidadosamente cada quemador hacia arriba y aléjelo de las aberturas de la válvula.



Sugerimos tres formas de limpiar los tubos del quemador. Utilice la que sea más fácil para usted.

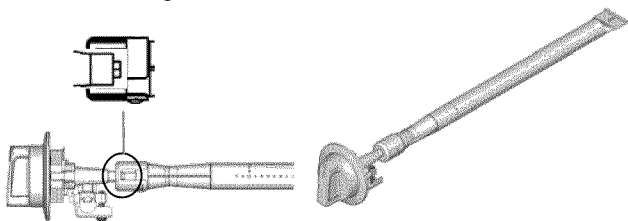
- (A) Doble un alambre duro (un colgador de abrigo liviano es adecuado) formando un gancho pequeño. Pase el gancho a través de cada tubo de quemador varias veces.



- (B) Use un cepillo para limpiar botellas que tenga un mango flexible (no use un cepillo de cerdas de metal) pasándolo a través de cada tubo de quemador varias veces.
- (C) **Use protección para los ojos:** Use una manguera de aire para forzar el aire en el tubo del quemador y fuera de los puertos del quemador. Revise cada puerto para cerciorarse de que el aire salga de cada agujero.
5. Pase un cepillo de alambre por toda la superficie externa del quemador para retirar los residuos de alimento y la suciedad.
  6. Limpie los puertos bloqueados con un alambre duro tal como un sujetador de papel abierto.
  7. Revise el quemador en busca de daños ocasionados por el uso normal y la corrosión, algunos agujeros pueden haberse agrandado. Si encuentra grietas grandes o agujeros, cambie el quemador.



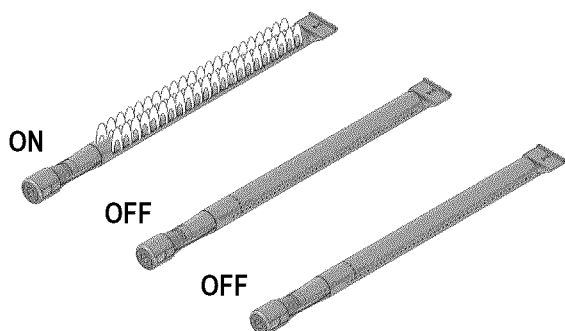
**MUY IMPORTANTE:** Los tubos del quemador deberán volverse a enganchar en las aberturas de las válvulas.



### Enganche correcto quemador-válvula

#### Cocción indirecta

Las aves y los cortes grandes de carne se cocinan lentamente a la perfección en la parrilla mediante el calor indirecto. Coloque los alimentos sobre el(los) quemador(es) sin encender; el calor de los quemadores encendidos circula suavemente por toda la parrilla, cocinando la carne o las aves sin una llama directa. Este método disminuye enormemente las llamaradas cuando cocine cortes muy grasosos porque no hay llama directa que encienda la grasa ni los jugos que gotean mientras cocina.

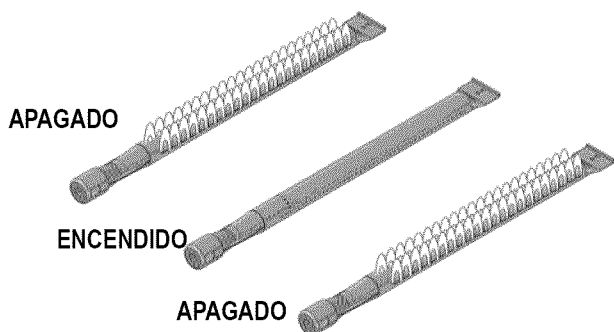


#### Cocción con 1 quemador

Cocine con calor directo o indirecto.  
Mejor para comidas o alimentos más pequeños  
Consume menos combustible.

#### Instrucciones para cocción indirecta

- Siempre cocine con la tapa cerrada
- Debido a las condiciones climáticas, los tiempos de cocción pueden variar. En clima frío y con viento es posible que necesite aumentar la configuración de temperatura para lograr temperaturas de cocción.
- Coloque los alimentos sobre el(los) quemador(es) sin encender.



#### Cocción con 2 quemadores

Cocción indirecta estupenda a fuego bajo  
Produce calor bajo y uniforme.  
Ideal para asar a fuego lento y hornear.

#### Seguridad alimentaria

La seguridad alimentaria es una parte muy importante de disfrutar la experiencia de cocinar al aire libre. Para conservar los alimentos protegidos de las bacterias nocivas, siga estos cuatro pasos básicos:

**Limpiar:** Lávese las manos, los utensilios y superficies con agua caliente jabonosa antes y después de manipular carne o aves crudas.

**Separar:** Separe las carnes y aves crudas de los alimentos listos para comer para evitar contaminación cruzada. Utilice un plato y utensilios limpios para retirar los alimentos cocinados.

**Cocinar:** Cocine las carnes y aves completamente para matar las bacterias. Use un termómetro para comprobar las temperaturas internas adecuadas de los alimentos.

**Refrigerar:** Refrigere los alimentos preparados y las sobras rápidamente.

**Para más información llame a: la línea de ayuda USDA sobre carne y aves al 1-800-535-4555 (en Washington, DC (202) 720-3333, 10:00 am-4:00 pm hora del este).**

#### Cómo saber si la carne está totalmente asada

- La carne y las aves cocinadas a la parrilla a menudo se doran muy rápido por fuera. Use un termómetro de carnes para cerciorarse de que el alimento haya alcanzado una temperatura interna segura y haga cortes para observar señales visibles de cocción.
- Las aves completas deben alcanzar 180° F (82,2°C); pechugas, 170°F (76,7°C). Los jugos deben salir transparentes y la carne no debe estar rosada.
- Las hamburguesas hechas de carne molida o pollo deben alcanzar 160°F (71,1°C), y estar marrones al medio sin jugos rosados. La carne de res, ternera y cordero, los asados y las chuletas pueden cocinarse a 145°F (62,8°C). Todos los cortes de cerdo deben alcanzar 160°F (71,1°C).
- NUNCA ase parcialmente la carne o las aves y termine de cocinar más tarde. Cocine los alimentos completamente para destruir las bacterias nocivas.
- Cuando recaliente los alimentos preparados o las carnes completamente cocidas como perros calientes, ase a 165°F (73,9°C), o hasta que desprendan humo.

**ADVERTENCIA:** Para cerciorarse de que sean seguro para comer, los alimentos deberán estar cocinados a la temperatura interna mínima indicada en la tabla siguiente.

Temperaturas internas mínimas seguras recomendadas por el USDA*	
Res, ternera, cordero y cerdo: Cortes enteros**	62,8 °C
Pez	62,8 °C
Res, ternera, cordero y cerdo: Picado	71,1 °C
Platos con huevo	71,1 °C
Pavo, pollo y pato: Trozos enteros y picados	73,9 °C

\* Departamento de Agricultura de los Estados Unidos

\*\*Deje reposar la carne por tres minutos antes de cortarla o consumirla.

## Exigencias respecto de la conexión de gas Gas PL

Si su parrilla funciona a gas PL, el regulador provisto está configurado para una columna de agua de 279,4 mm (mm.c.a.) y sólo se debe usar con gas PL. La manguera y el regulador provistos de fábrica se deben usar únicamente con un tanque de gas PL de 9,10 kg.

## Control de flujo excesivo y poco calor

El ensamble del regulador de propano incorpora un dispositivo de control de flujo excesivo diseñado para suministrar suficiente flujo de gas a la parrilla en condiciones normales y, al mismo tiempo, controlar el flujo de gas excesivo. Los cambios bruscos en la presión pueden activar el dispositivo de control de flujo excesivo, y producir una llama y temperatura bajas. Si abre la válvula del tanque para permitir el flujo de gas mientras la válvula del quemador está abierta, el aumento de presión activará el dispositivo. El dispositivo permanecerá cerrado hasta que la presión se regule. Esto debería ocurrir en el plazo de 5 segundos.

Para asegurarse de que esto no cause dificultad para encender la parrilla, siga estas instrucciones:

1. Asegúrese de que todas las válvulas del quemador estén en la posición "OFF" (CERRADO).
2. Abra la válvula del tanque y espere 5 segundos.
3. Encienda los quemadores uno a la vez siguiendo las instrucciones de encendido.

## Consejos útiles de cuidado y mantenimiento

Antes de asar, precaliente la parrilla por 15 minutos en la posición "HI" ("ALTA") con la cubierta abajo. Para evitar llamaradas o llamas descontroladas producidas por grasa, ase la carne con la cubierta abierta. Cierre la cubierta si la carne es gruesa, el clima es frío o usa un rostizador o el método de cocción indirecta.

Siempre protéjase la mano con una agarradera o guante para cocinar al tomar contacto con una superficie caliente.

Suba la cubierta al asar carnes, especialmente pollo. Baje la cubierta al usar el método de cocción indirecta o un rostizador.


NUNCA deje la parrilla sin supervisión durante la cocción.

Después de usar, cierre la cubierta, ponga los


quemadores en la posición HI durante 15 minutos para realizar una autolimpieza quemando la grasa.

## Cuadro de tiempo de cuidado y mantenimiento

Parrilla	Frecuencia según el uso normal	Método de limpieza
Superficie pintada	Dos veces al año	Cera para automóviles
Superficie de acero inoxidable	Dos veces al año	Limpiador para acero inoxidable
Todas las rejillas	Después de cada uso	Queme y limpie
Rejillas de acero inoxidable	15 días	Apto para cepillo de alambre/lavaplatos
Rejillas de porcelana	15 días	Apto para frotar con agua jabonosa/lavaplatos
Cámaras de calor de quemadores	30 días	Cepillo de alambre
Quemadores	90 días	Cepillo de alambre
Interior de la caja del quemador	120 días	Productos de limpieza para el interior de parrillas (disponibles en Sears)



ADVERTENCIA



PROPOSICION 65 DEL ESTADO DE CALIFORNIA

En el estado de California se sabe que Los subproductos de la combustión, que se producen al usar este producto, También produce productos de combustión cuando se utiliza. Contienen sustancias químicas que causan cáncer, defectos congénitos u otras lesiones al aparato reproductor.

*Lávese las manos después de manipular este.*

## Kit de conversión a gas natural

Su parrilla se puede convertir a gas natural. La conversión la debe ejecutar un técnico especializado en gas. A continuación se muestra el Kit de conversión a gas natural (cedente de forma separada) requerido para la conversión.

### Kit de conversión a gas natural

Modelo Kenmore # 10478

(N. de parte del fabricante: RB2818T-KIT)

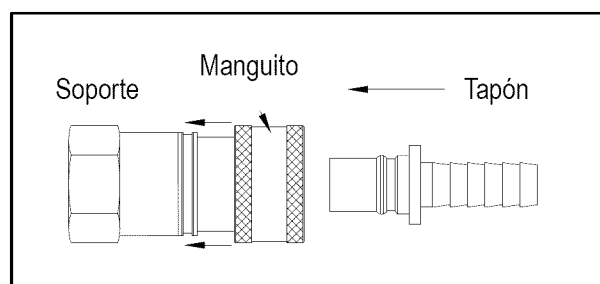
Para comprar un Kit de conversión a gas natural llame a Sears marcando **1-800-4-MY-HOME®**

### Preparación para la conexión a gas natural:

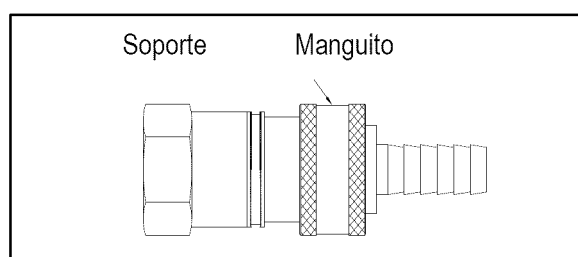
1. Cierre el suministro de gas y luego retire la tapa en el lado del suministro de gas.
2. Recomendado: Instale una válvula de cierre en el lado del suministro de gas antes de instalar el socket.
3. El socket debe ser instalado por un técnico autorizado, de acuerdo con el código nacional de gas combustible (NFPA 54/ANSI223.1).
4. Antes de insertar el tapón, abra el suministro de gas y verifique si las conexiones tienen fugas, incluyendo el vástago de la válvula de cierre y la apertura del socket. Para obtener mejores resultados, utilice una solución de jabón sin amoníaco y agua.

### Instrucciones de funcionamiento:

1. Para conectar, presione hacia atrás el manguito del socket.



2. Inserte el tapón y libere el manguito.
3. Presione el tapón hasta que el manguito encaje adelante. (El gas fluirá automáticamente. No conectar el tapón al socket de forma adecuada podría impedir que el gas fluya hacia el electrodoméstico).



### Para desconectar

1. Jale el manguito hacia atrás. Saque el tapón del socket. (El gas se corta automáticamente).
2. Cierre la válvula de cierre y reemplace las tapas para polvo en el socket y el tapón.

### Gas natural

Si la parrilla es para gas natural, está configurada para una columna de agua de 177,8 mm (mm.c.a.) y es sólo para uso con gas natural. La presión de gas se ve afectada por el tamaño y el largo de la línea de gas proveniente de la casa. Siga las recomendaciones del siguiente cuadro.

Desde la casa hasta la parrilla	
Distancia	Tamaño de las tuberías
Hasta 7,62 m	3/8" de diámetro
De 7,92 m a 15,24 m	1/2" de diámetro
15,54 m a 30,48 m	2/3" de trayecto: 3/4" de diámetro de 1/3" de trayecto: 1/2" de diámetro
Más de 30,78 m	3/4" de diámetro

## LISTA DE PIEZAS

Clave	Cant.	Descripción	Pieza del fabricante
1	1	CAMPANA MANGO	2818-2T-6200
2	2	MANGO BASE	S3218ANR-00-4001
3	1	CAMPANA	RB2818T-00-4000
4	1	TEMPERATURE GAUGE	2818-2T-A300
5	1	ARANDELA	2518SL-6002
6	2	TAPÓN DE GOMA	3219B-8083
7	2	COOKING GRID (QUEMADOR PRINCIPAL)	2818-2T-2001
8	1	REJILLA DE CALENTAMIENTO	2818-2T-2002
9	4	DIFUSOR DE CALOR	2818-2T-2007
10	4	R PIN	R PIN 1.6x30
11	4	QUEMADOR PRINCIPAL	SH3118B-2004
12	1	ENCENDIDO PIN (QUEMADOR PRINCIPAL)	2818-2T-A500-1
13	1	ENCENDIDO PIN (QUEMADOR PRINCIPAL)	2818-2T-A500-3
14	1	ENCENDIDO PIN (QUEMADOR PRINCIPAL)	2818-2T-A500-5
15	1	ENCENDIDO PIN (QUEMADOR PRINCIPAL)	2818-2T-A500-7
16	2	5/16-18 UNC x 3/4 "	SCREW
17	2	CAMPANA DE MANGA	2818-2T-0001
18	2	5/16-18 UNC	NUT
19	1	QUEMADOR DE CAJA	2818-2T-2000-3
20	1	HOOD SIDE	E3518-00-6001
21	1	QUEMADOR LATERAL GRID	L3018S-00-6201
22	1	LADO DEL EJE DEL QUEMADOR	3218LTN-00-2802
23	1	QUEMADOR LATERAL ESTANTE	RB2818T-00-6000
24	1	QUEMADOR LATERAL	L3018SN-00-8300
25	1	ENCENDIDO PIN (QUEMADOR LATERAL)	L3018SN-00-8007
26	1	LADO DE LA VÁLVULA DEL QUEMADOR	L3018SN-00-6600
27	5	BEZEL	L3018SN-00-3302
28	5	MANDO	L3018SN-00-3301
29	1	MANGUERA DEL QUEMADOR PRINCIPAL	P3018-00-8021
30	1	GAS LP REGULADOR DE PRESIÓN	L3218-00-8006
31	1	COLECTOR	RB2818T-00-3200
32	1	PANEL DE CONTROL	RB2818T-00-3000
33	1	CABLE DEL ENCENDIDO	RB2818T-00-8001
34	1	ESTANTE SIDE	RB2818T-00-5110
35	1	LATERAL SOPORTE ESTANTE	RB2818T-00-5001
36	1	1/4-20 UNC x 1/2"	RB2818T-00-8003
37	1	1/4-20 UNC	NUT
38	1	MESA ESTANTE	RB2818T-00-5210
39	1	MESA DE APOYO	RB2818T-00-5240
40	1	PATA DE MESA	RB2818T-00-5300

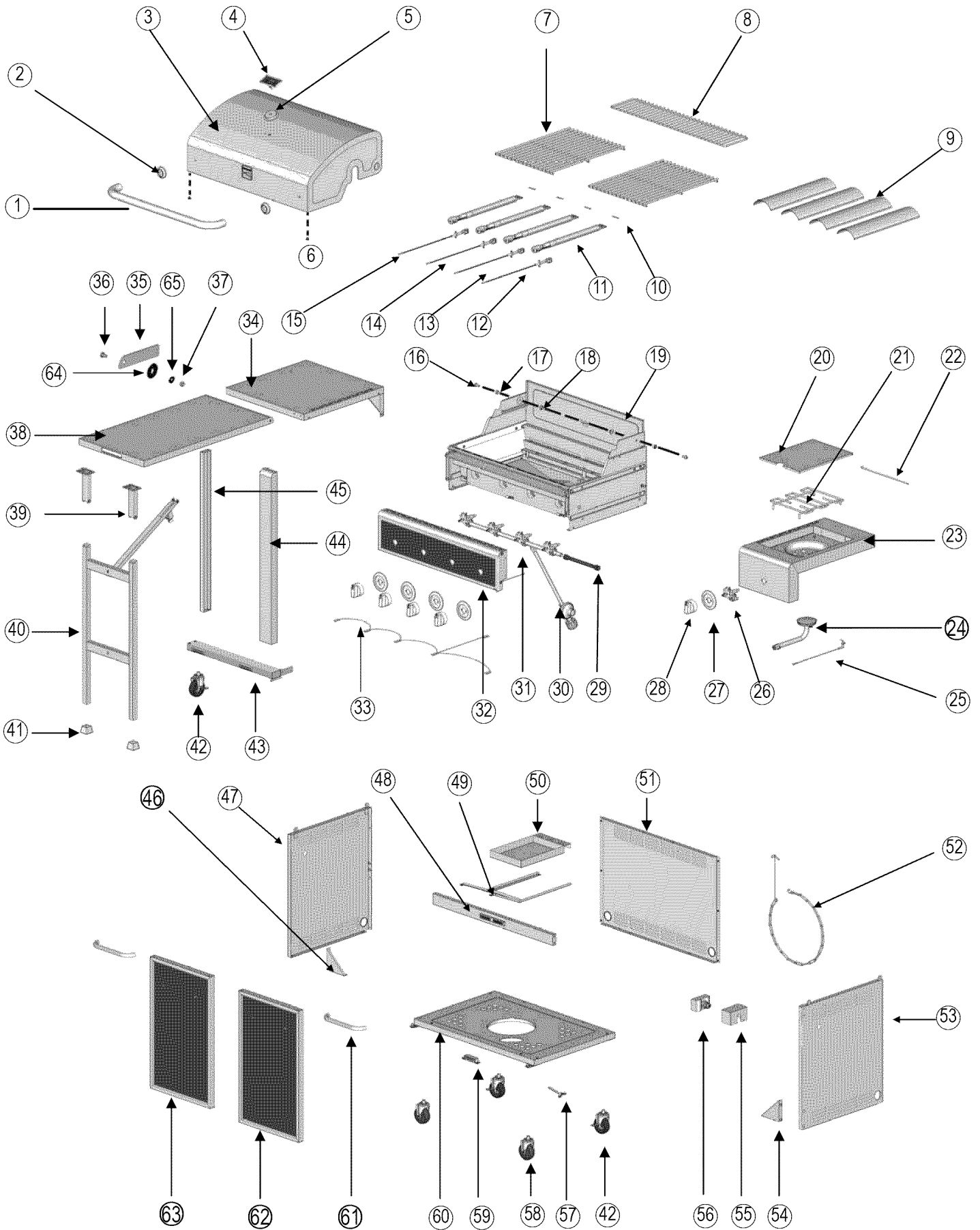
Clave	Cant.	Descripción	Pieza del fabricante
41	2	TABLA PAD LEG	RB2818T-00-5303
42	3	BLOQUEO DE RUEDAS	3218LTN-00-8013
43	1	ESTANTE LATERAL INFERIOR DE APOYO	RB2818T-00-5120
44	1	ESTANTE LATERAL DERECHO DE APOYO	RB2818T-00-5130
45	1	ESTANTE LATERAL IZQUIERDO SOPORTE	RB2818T-00-5101
46	1	SOPORTE DE PANEL IZQUIERDO	2818-2T-1601
47	1	PANEL IZQUIERDO	RB2818T-00-1700
48	1	BEAM	2818-2T-1200
49	1	GOTEO DE SOPORTE BANDEJA	2818-2T-1500
50	1	BANDEJA DE GOTEO	2818-2T-1001
51	1	PANEL TRASERO	2818-2T-1002
52	1	MANO IGNITOR	3019L-1710
53	1	PANEL DERECHO	RB2818T-00-1800
54	1	SOPORTE DE PANEL DERECHO	2818-2T-1701
55	1	ENCENDEDOR DE PROTECCIÓN BOX	S3218ANR-00-1802
56	1	ENCENDEDOR	L3018SN-00-8008
57	1	1/4-20 UNC x 2"	WING BOLT
58	2	CASTER	3218LTN-00-8012
59	1	MAGNET	L3018S-00-1310
60	1	PANEL INFERIOR	RB2818T-00-1110
61	2	MANIJA	L3018S-00-1410
62	1	PUERTA DERECHA	RB2818T-00-1600
63	1	PUERTA IZQUIERDA	RB2818T-00-1400
64	1	RONDELLE 6	RONDELLE 6
65	1	RONDELLE ÉLASTIQUE 6	RONDELLE ÉLASTIQUE 6
	1	PAQUETE DE HARDWARE	RB2818T-HARDWARE
	1	MANUAL DEL PRODUCTO	RB2818T-MANUAL

**Si le faltan aditamentos o hay piezas dañadas luego de desempacar la parrilla, llame al 1-800-482-0131 para ordenar su repuesto.**

**Para pedir las piezas de repuesto luego de utilizar la parrilla, llame al 1-800-4-MY-HOME®**

**NOTA: Algunas piezas de la parrilla que se muestran en los pasos de ensamblaje pueden variar ligeramente en su apariencia de las que se encuentran en su modelo de parrilla particular. Sin embargo, el método de ensamblaje sigue siendo el mismo.**

# DIAGRAMA DE LAS PIEZAS



## DESEMPACAR

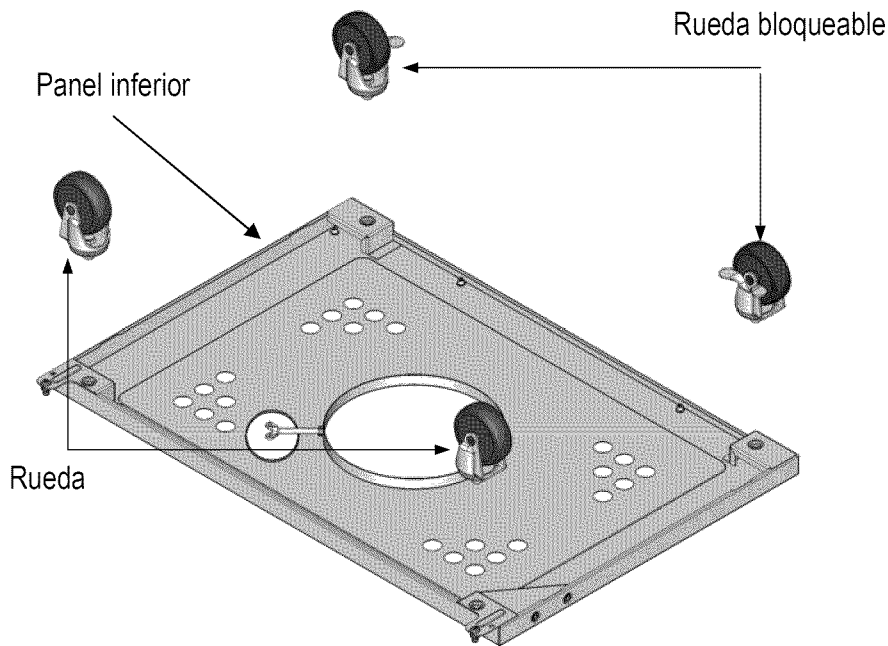
Después de quitar el empaque las partes y hardware de la parte superior de la caja de envío y cuando se muestre solamente la parte superior de la parrilla, use un cuchillo para cortar los lados de la caja. Tenga cuidado con las grapas de los lados de la caja.

Quítelo soporte de las esquinas de acero y papel y cartón de la caja y las partes de espuma de estireno de la parte superior de la parrilla. Abra la etapa de la parrilla y quite todas las partes empacadas y el material de empaque. Deje reposar la cabeza de la parrilla en el papel cartón hasta poner la cabeza de la parrilla en el carro según el paso 10.

**ADVERTENCIA: Ponga la parrilla en una superficie limpia y nivelada. Compare las partes y el hardware con la lista y los diagramas. No intente ensamblar si hace falta alguna parte o está dañada.**

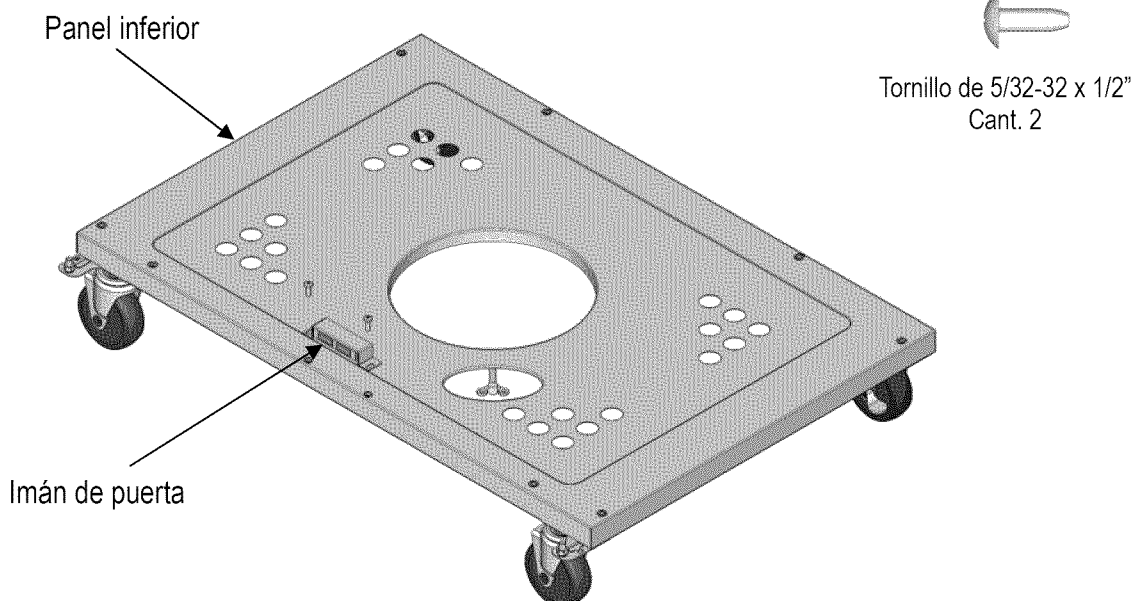
**1**

Use la llave inglesa suministrada para instalar las ruedecillas al panel inferior según se muestra. Instale las dos ruedecillas de bloqueo en la parte posterior de la parrilla. Después de instalar todas las ruedecilla, voltee el panel inferior.



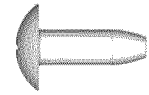
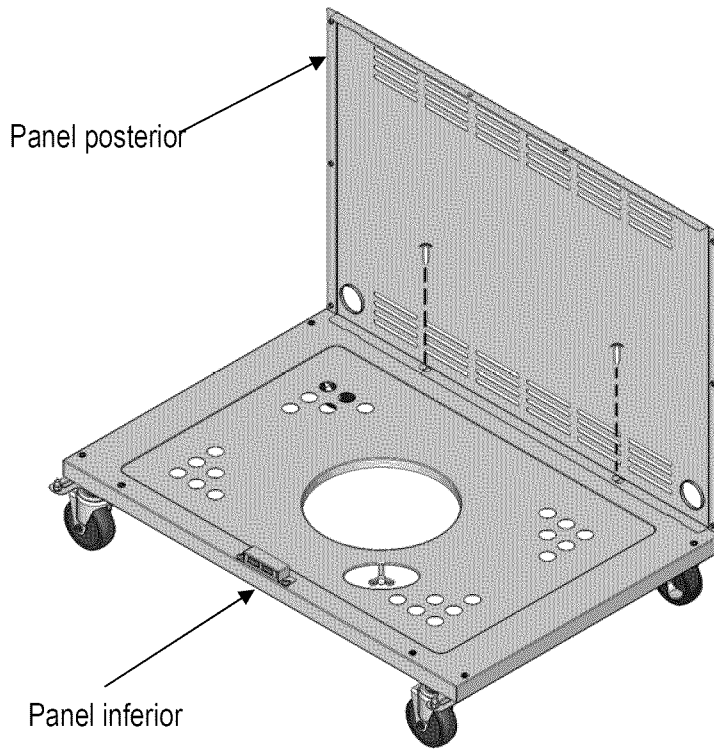
**2**

Instale el magneto de la puerta en los orificios de la parte frontal del panel inferior con dos tornillos cada uno. No apriete completamente en este momento.



**3**

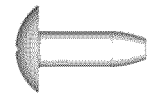
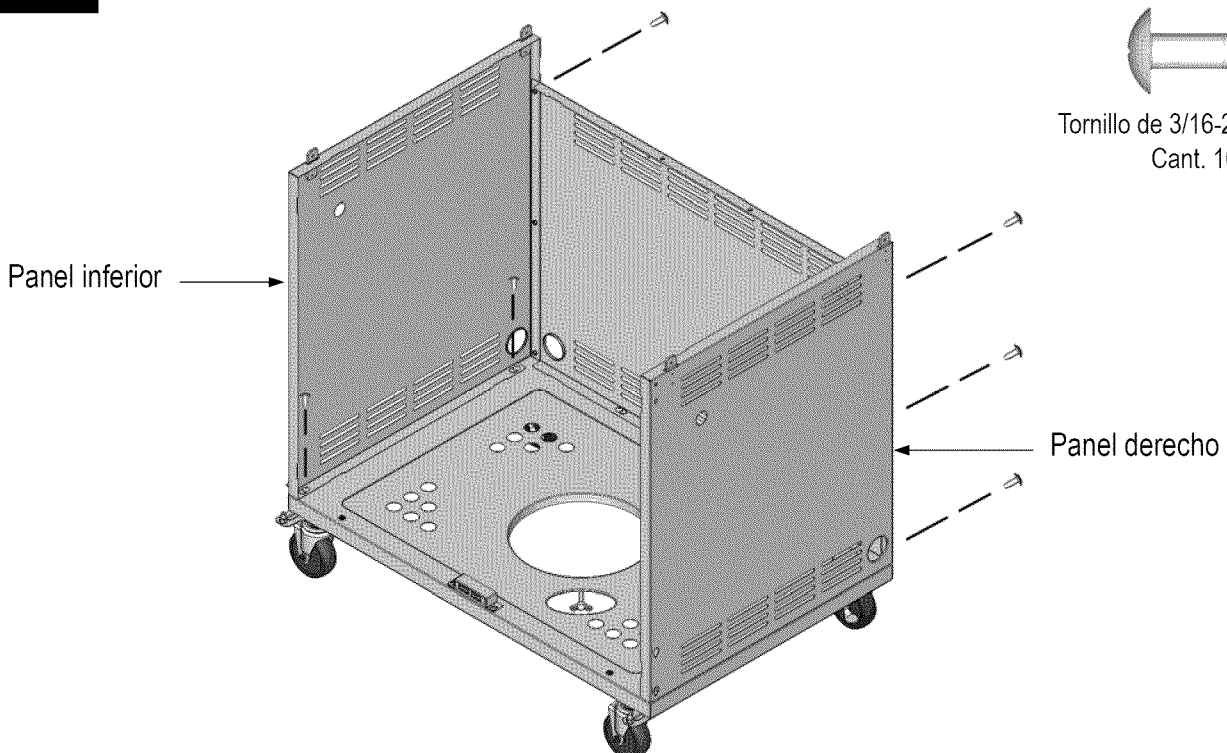
Instale los soportes de los paneles laterales en el panel inferior con otros tornillos, según como se muestra.



Tornillo de 3/16-24 x 1/2 "  
Cant. 2

**4**

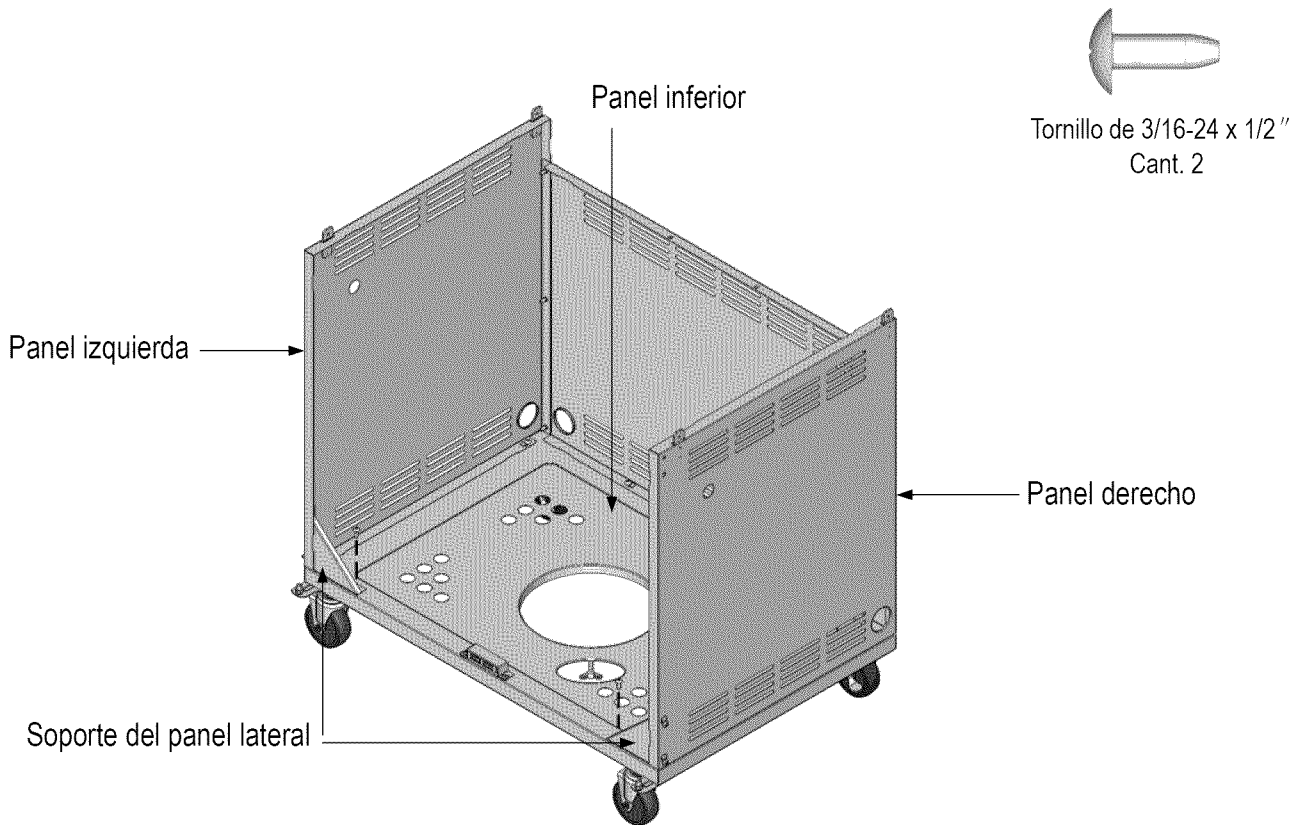
Instale el panel izquierdo y derecho en el panel inferior. Para cada panel lateral, hay tres tornillos para el panel posterior y dos para el panel inferior. Inserte primero los dos tornillos del panel inferior.



Tornillo de 3/16-24 x 1/2 "  
Cant. 10

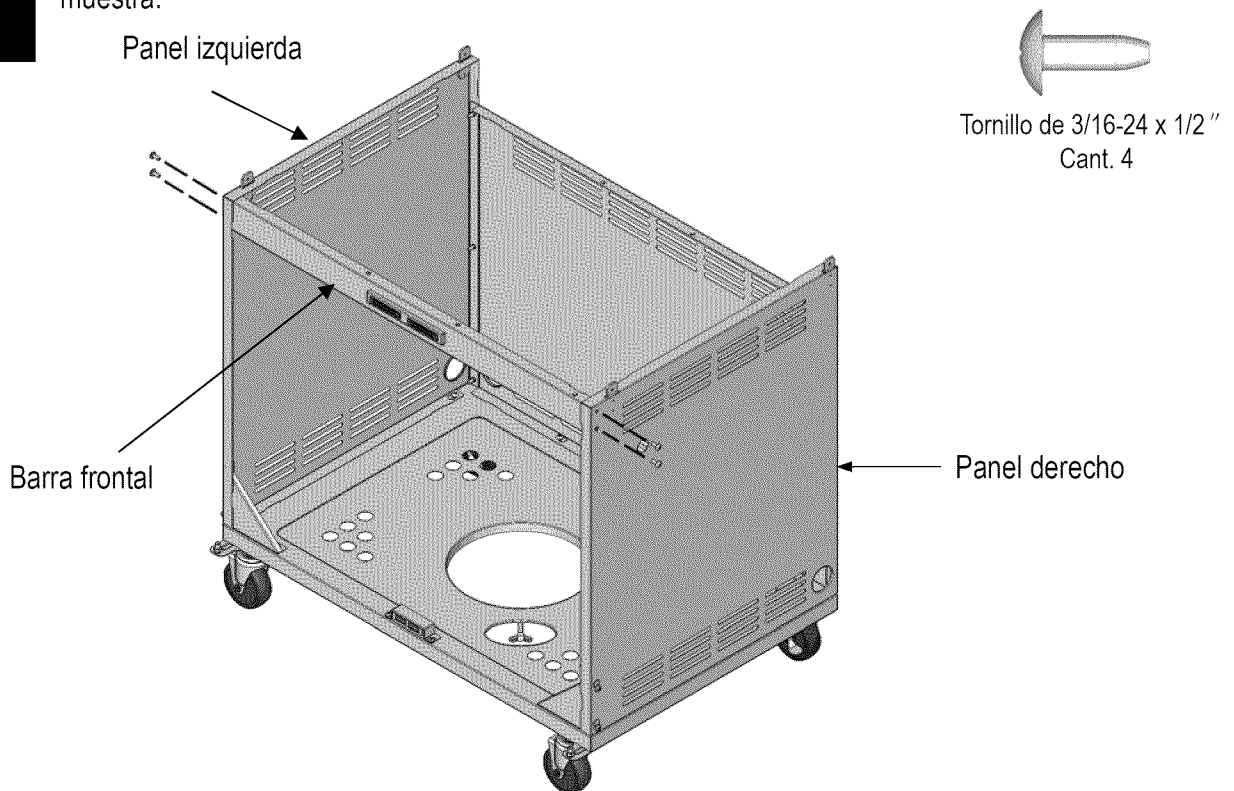
**5**

Suelte los tornillos del soporte del panel lateral con dos giros, instale los soportes en los paneles laterales y apriete los tornillos. Instale los soportes de los paneles laterales en el panel inferior con los 2 tornillos, según como se muestra.



**6**

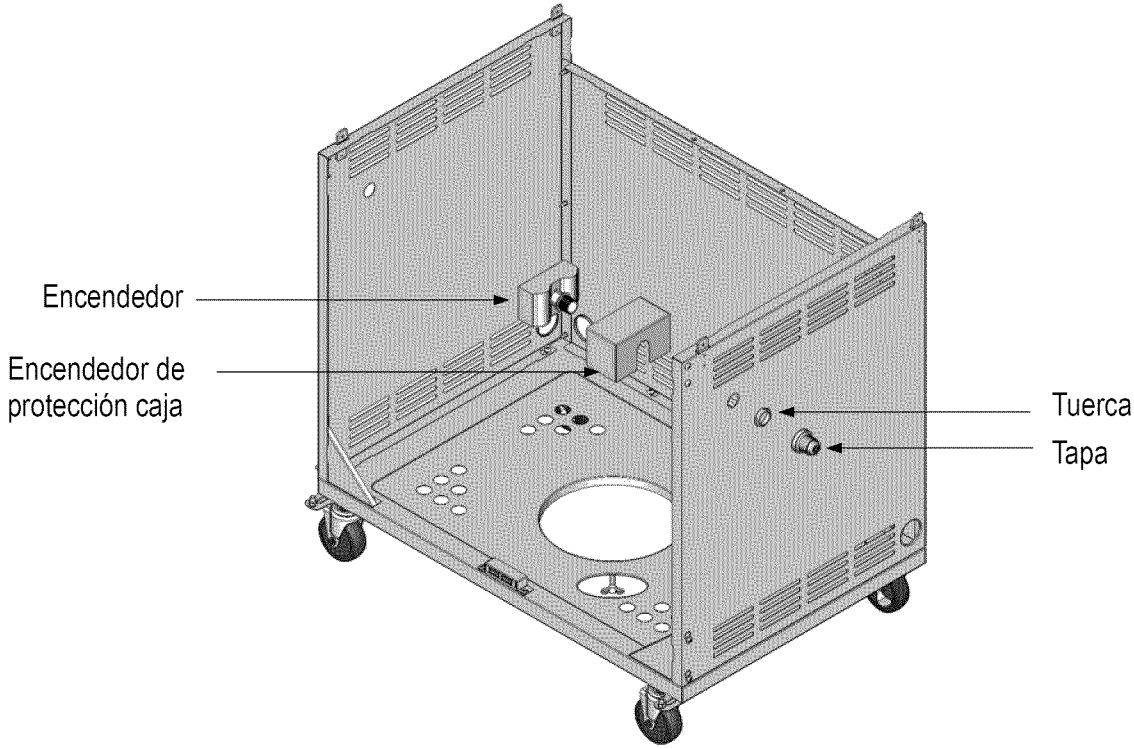
Instale la viga frontal en los paneles laterales con los dos tornillos en cada lado, según como se muestra.





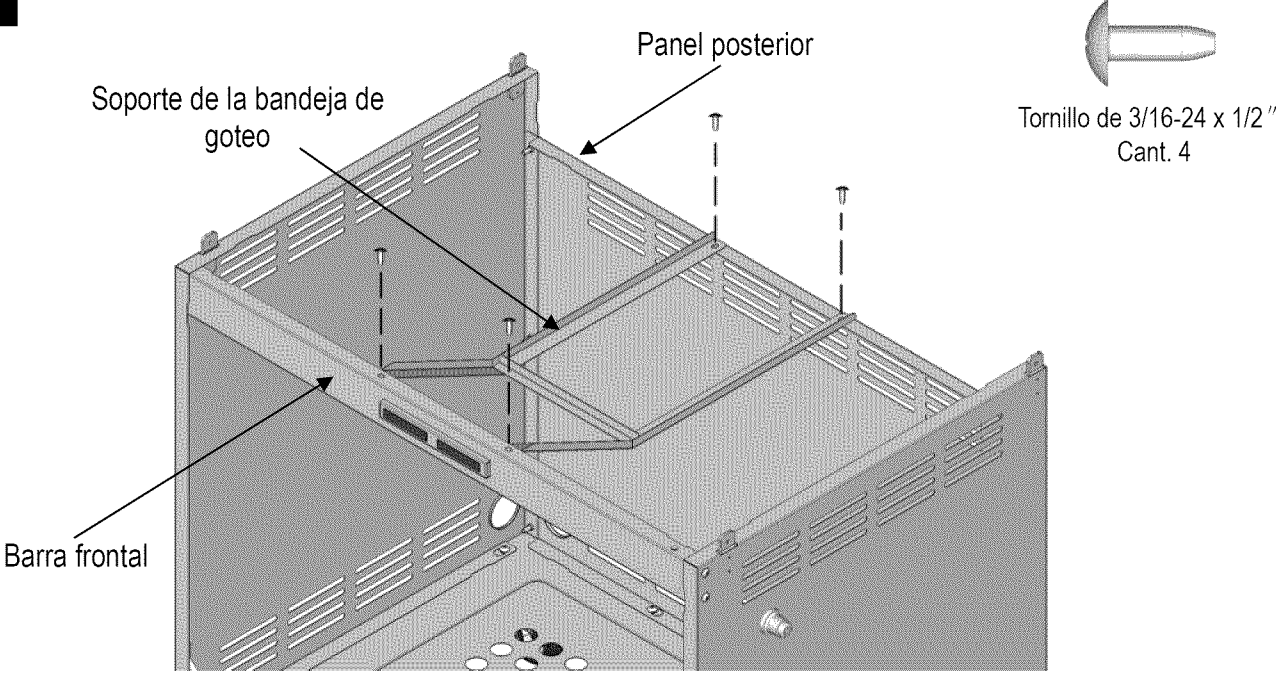
# 7

Quite la tapa la tuerca del encendedor. Asegure el encendedor y su caja de protección al panel lateral con la tuerca. Luego, re ensamble la tapa al encendedor.



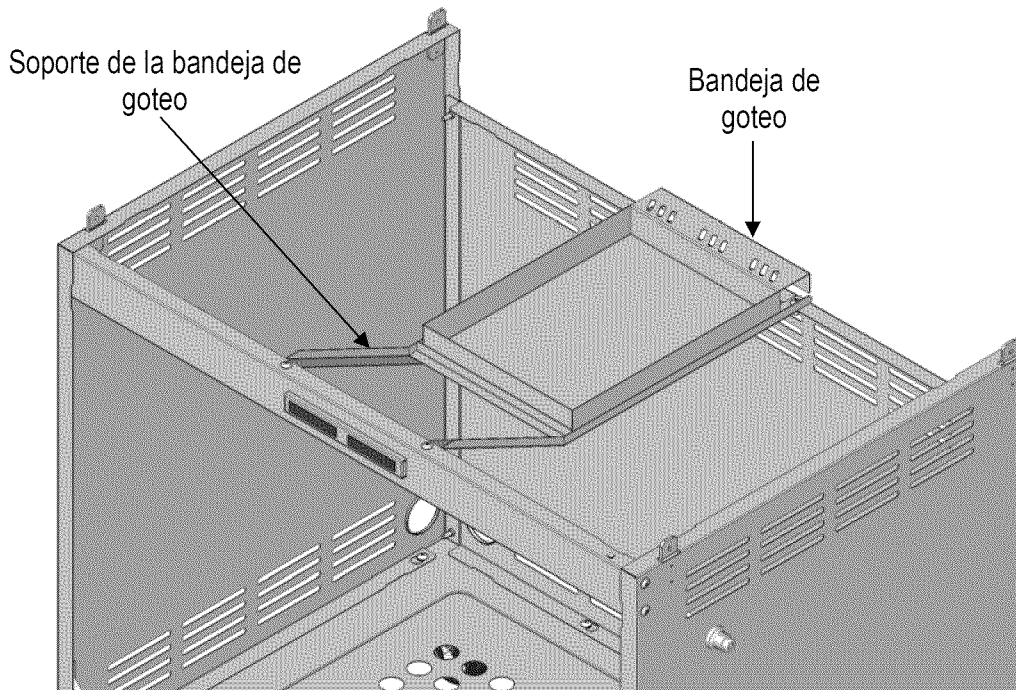
# 8

Instale el soporte de la bandeja de goteo en la viga frontal y en el panel posterior con los cuatros tornillos, según se muestra.



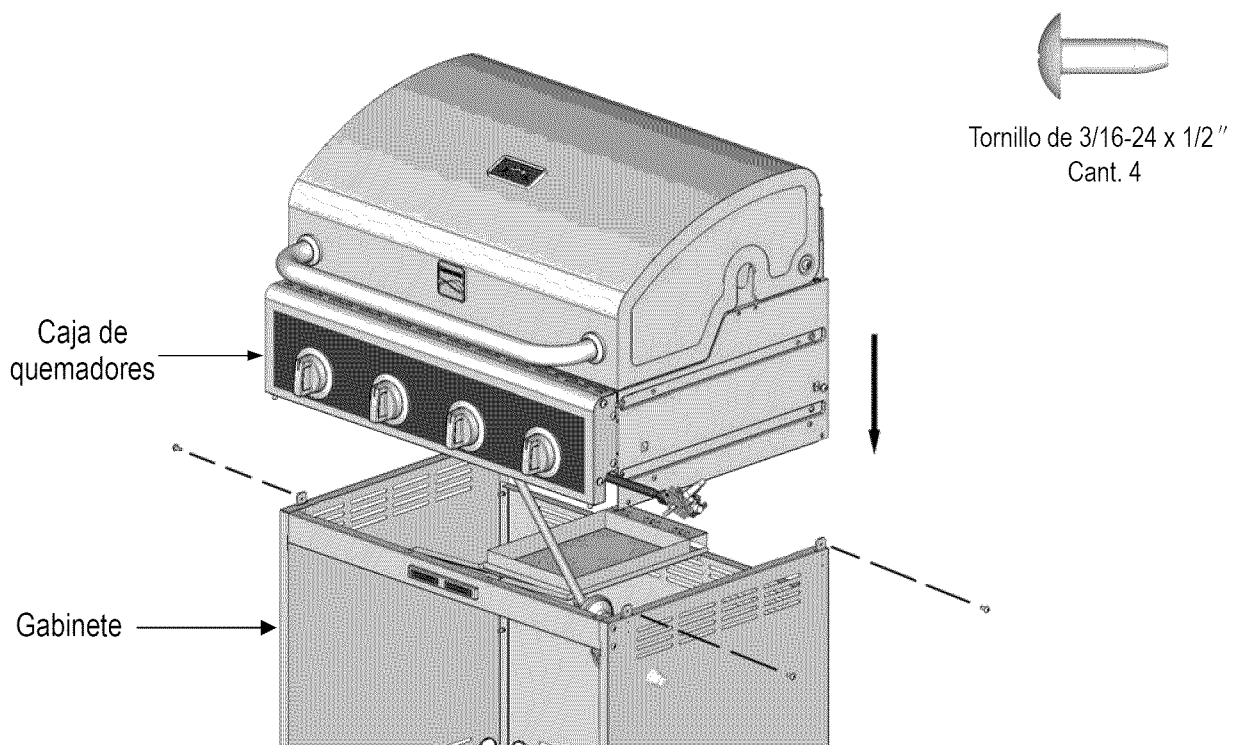
**9**

Ponga la bandeja de goteo en el soporte de la bandeja de goteo, según se muestra.

**10**

Corte en tiras sujetando el regulador y la válvula del quemador lateral en el lugar debajo del panel de control de la cabeza de la parrilla. Asegúrese y no cortar los cables del encendedor o las tiras sujetando los cables del encendedor en el lugar.

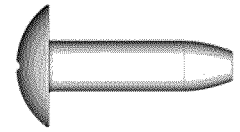
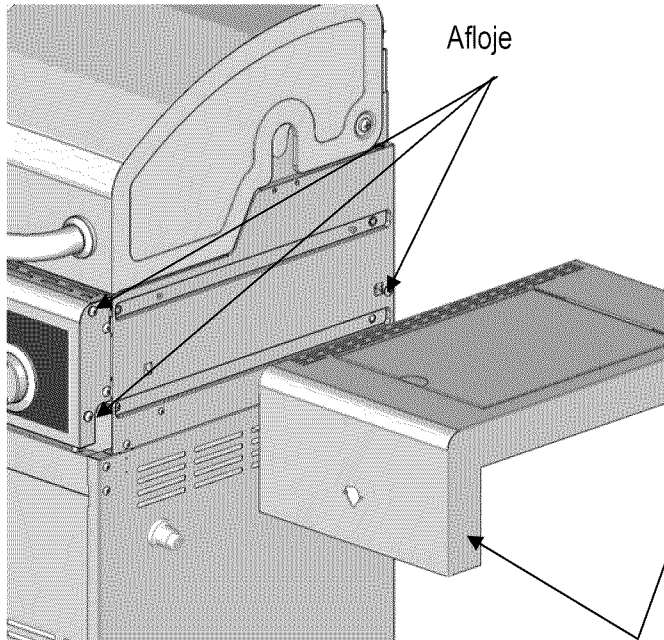
Con la ayuda de alguien, levante y ponga la cabeza de la parrilla en el carro. Los lados de la cabeza de la parrilla deben ir y sobre las pestañas del anexo del carro. Asegúrese de que la válvula del quemador lateral queden colgando fuera del carro y de que el regulador y los cables del encendedor cuelguen dentro del carro. Instale la cabeza al carro con los cuatro tornillos como se muestra.



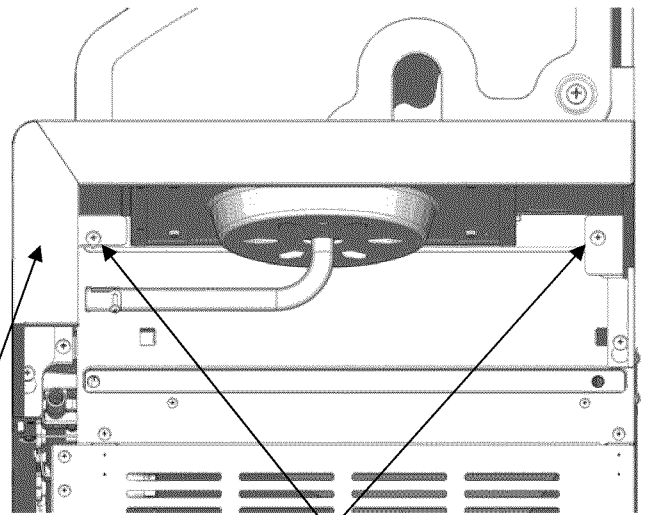
# 11

## Estante del quemador lateral

A otro de los tres tornillos del panel derecho de la caja del quemador, con 3 ó 4 vueltas, según como se muestra. Fue que el estante del quemador lateral de los orificios ranurados de su lado en los tornillos sueltos. Apriete el estante del quemador lateral desde su base, como se muestra, usando los dos tornillos 1/4-20 x 1". Apriete los 3 tornillos soltados anteriormente.



Tornillo de 1/4-20 x 1"  
Cant. 2



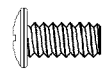
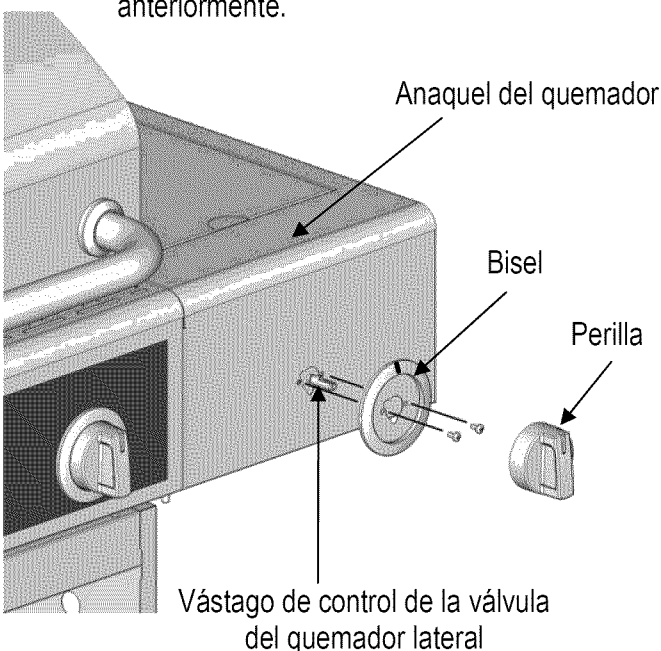
Estante lateral

Tornillo de 1/4-20 x 1"

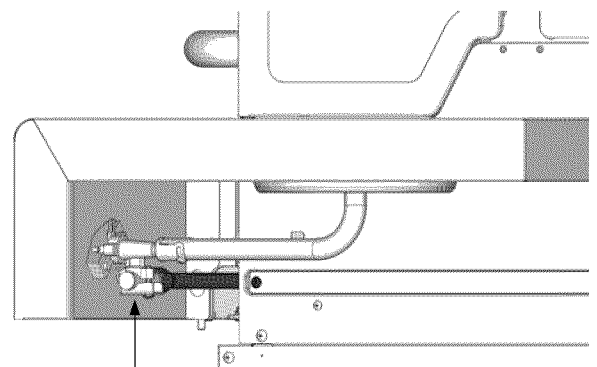
# 12

## Estante del quemador lateral

Suelte y quítelo dos tornillos de la parte inferior del quemador lateral sosteniéndolo en el lugar. Alinee los orificios de los 2 tornillos bezel con los del panel de control del quemador lateral. Inserte el básico de control de la válvula a través del edificio en el panel de control y bezel. Instale el bezel en el panel de control y el vástago del control de la válvula con los dos tornillos según como se muestra. Asegúrese de que el bezel con la marca del indicador negra queden hacia arriba. Presione la perilla del vástago de control de la válvula del quemador lateral. Asegúrese de que la válvula de quemador lateral se inserte en el quemador lateral, luego inserte y apriete los dos tornillos quitados anteriormente.



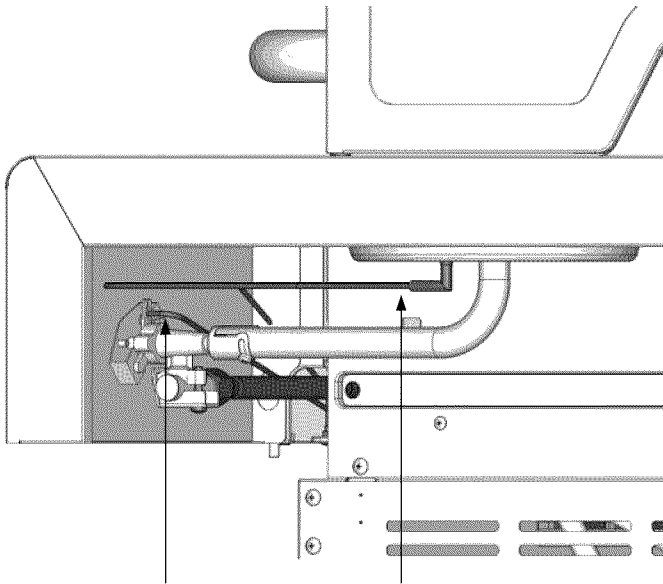
Tornillo de M4 x 8  
Cant. 2



Válvula del quemador lateral

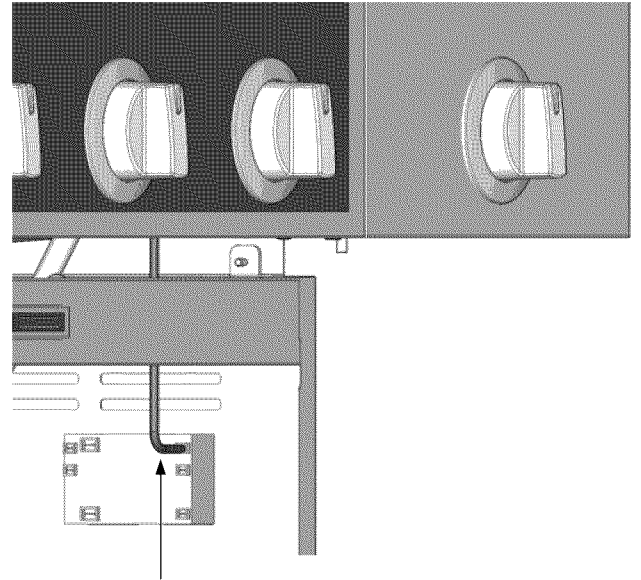
**13****Cable de ignición del quemador lateral y cable del pasador de ignición**

Asegúrese de que el cable de ignición del quemador lateral esté conectado en el Zócalo de la válvula. Conecte el cable del pasador de ignición en uno de los zócalos pequeños del encendedor, como se muestra.



Cable de encendido

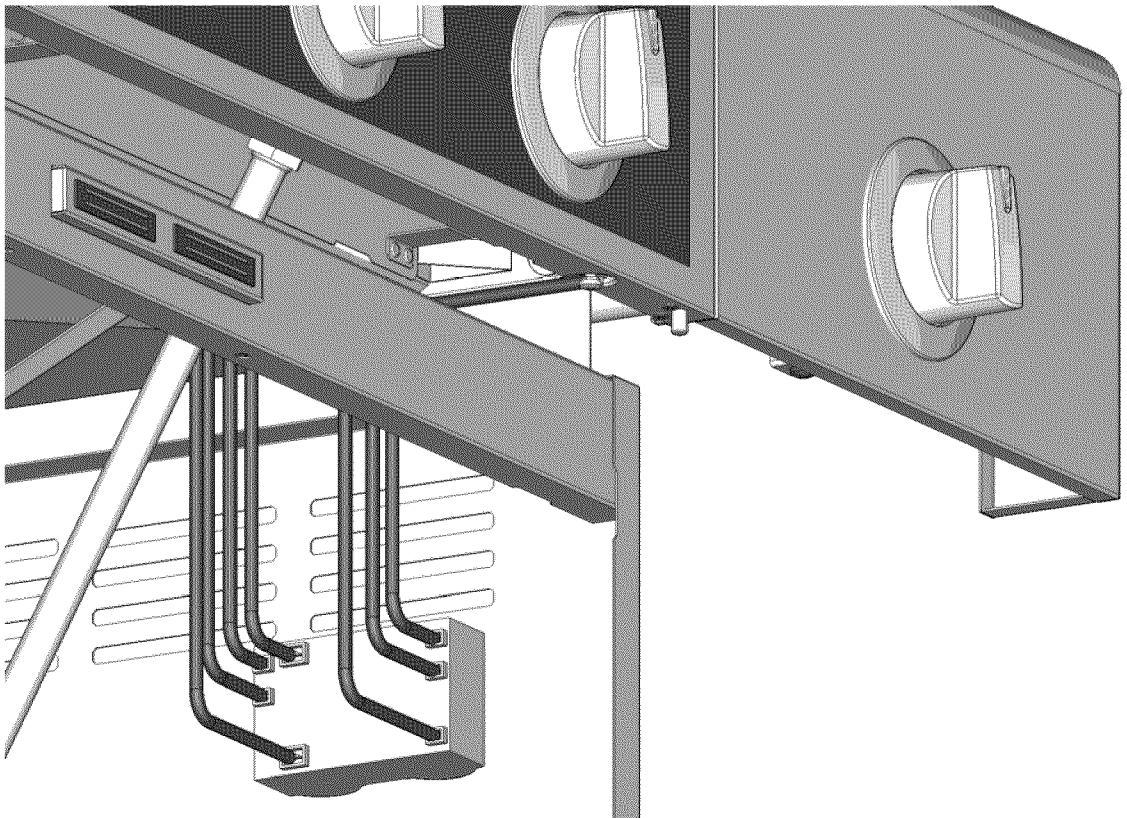
Cable del encendido pasador



Cable del encendido pasador

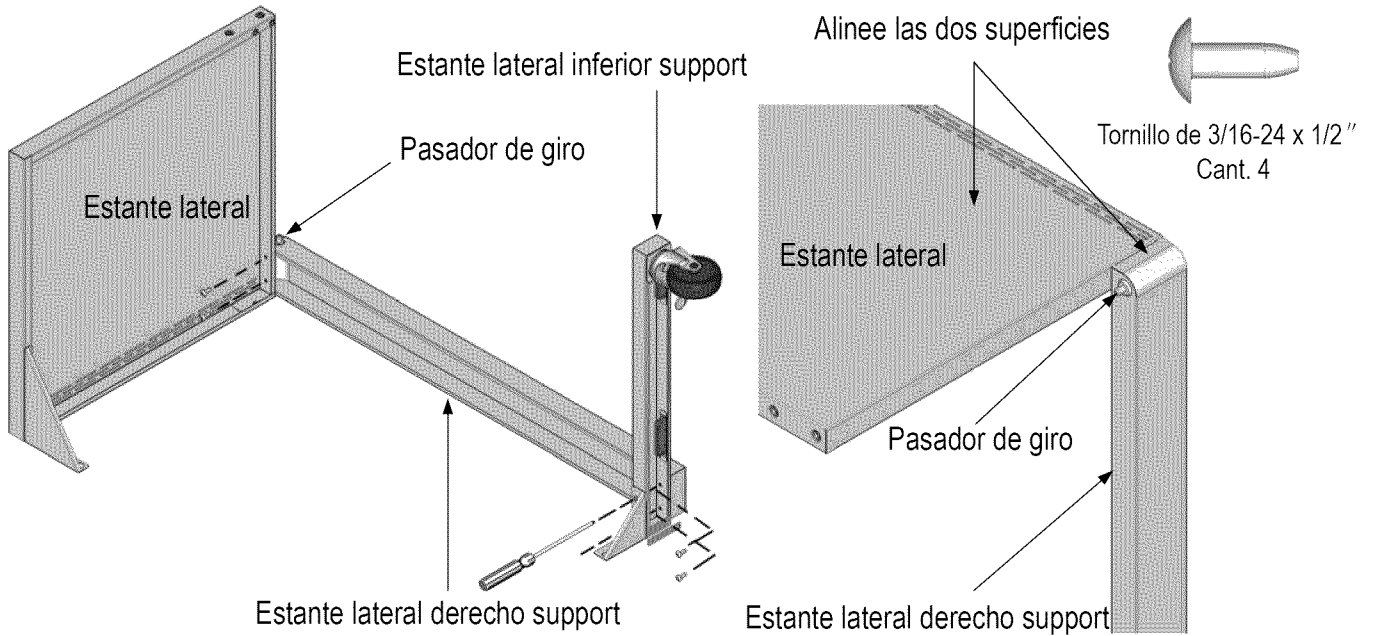
**14****Otros cables de ignición**

Conecte los cuatro cables del encendedor del quemador principal en los cuatro zócalos pequeños del encendedor, como se muestra. Con explicable tierra y el cable de iniciación continuo en los dos zócalos grandes del encendedor, como se muestra.

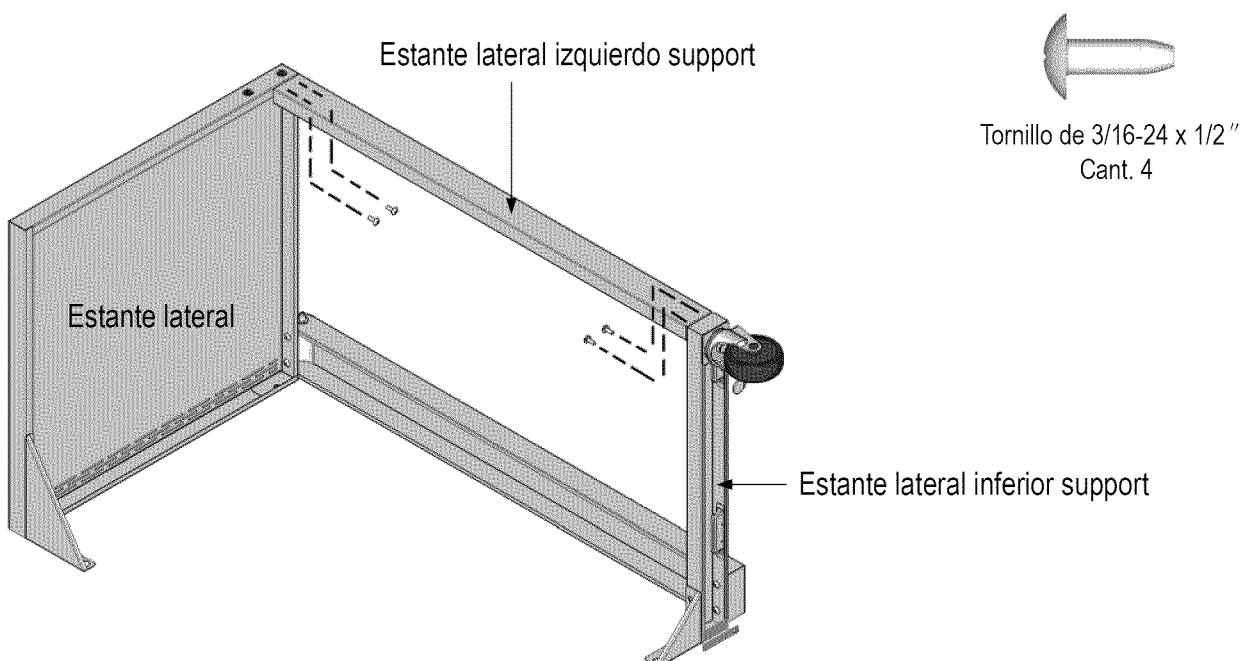


**15****Estante lateral**

Ensamble el estante lateral, el soporte derecho del estante lateral y la base del estante lateral en una superficie plana. Use dos tornillos para instalar el extremo del soporte derecho con el pasador de bisagra en el estante, como se muestra. Use dos tornillos para instalar el soporte de la base en el otro extremo del soporte de derecho. Inserte los tornillos en la parte interna del soporte como se muestra. Use un destornillador Phillips insertado en los agujeros de la parte externa del soporte para apretar los tornillos. Después de ensamblar, asegúrese de que la superficie superior del soporte derecho esté alineada con la superficie del estante lateral.

**16****Estante lateral**

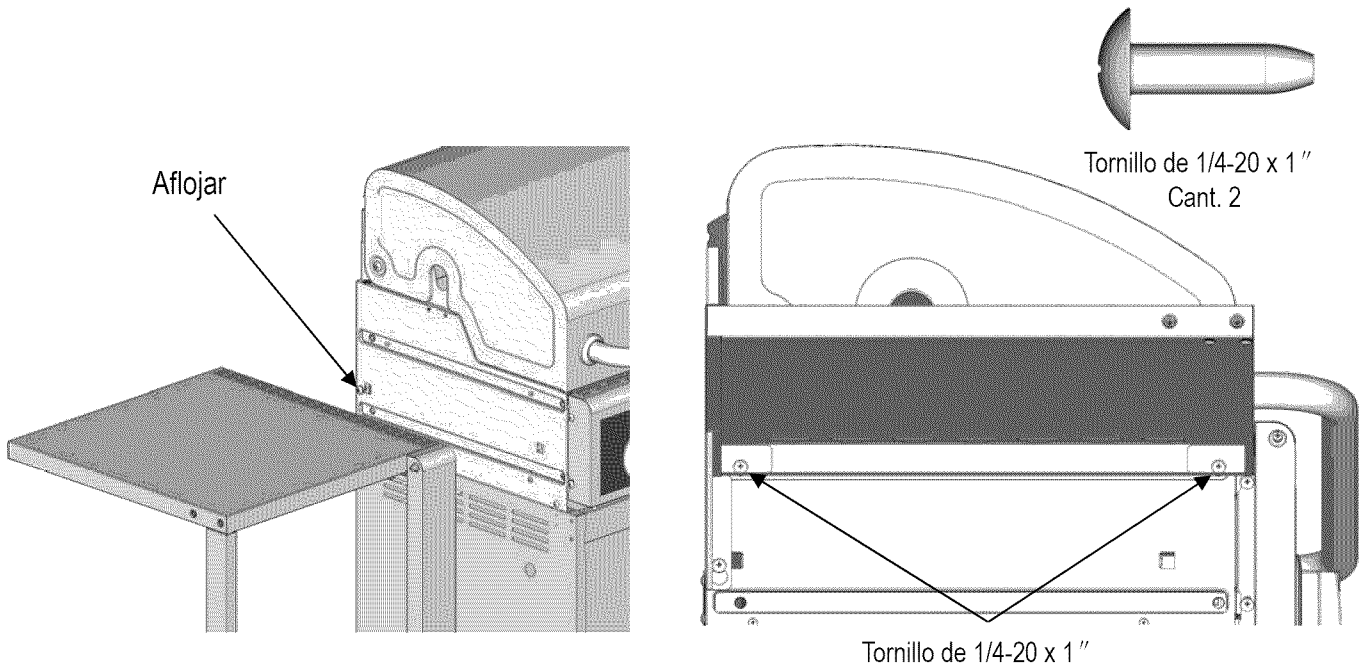
Apriete bien el soporte izquierdo del estante lateral al soporte inferior y el estante lateral con los cuatro tornillos, según se muestra.



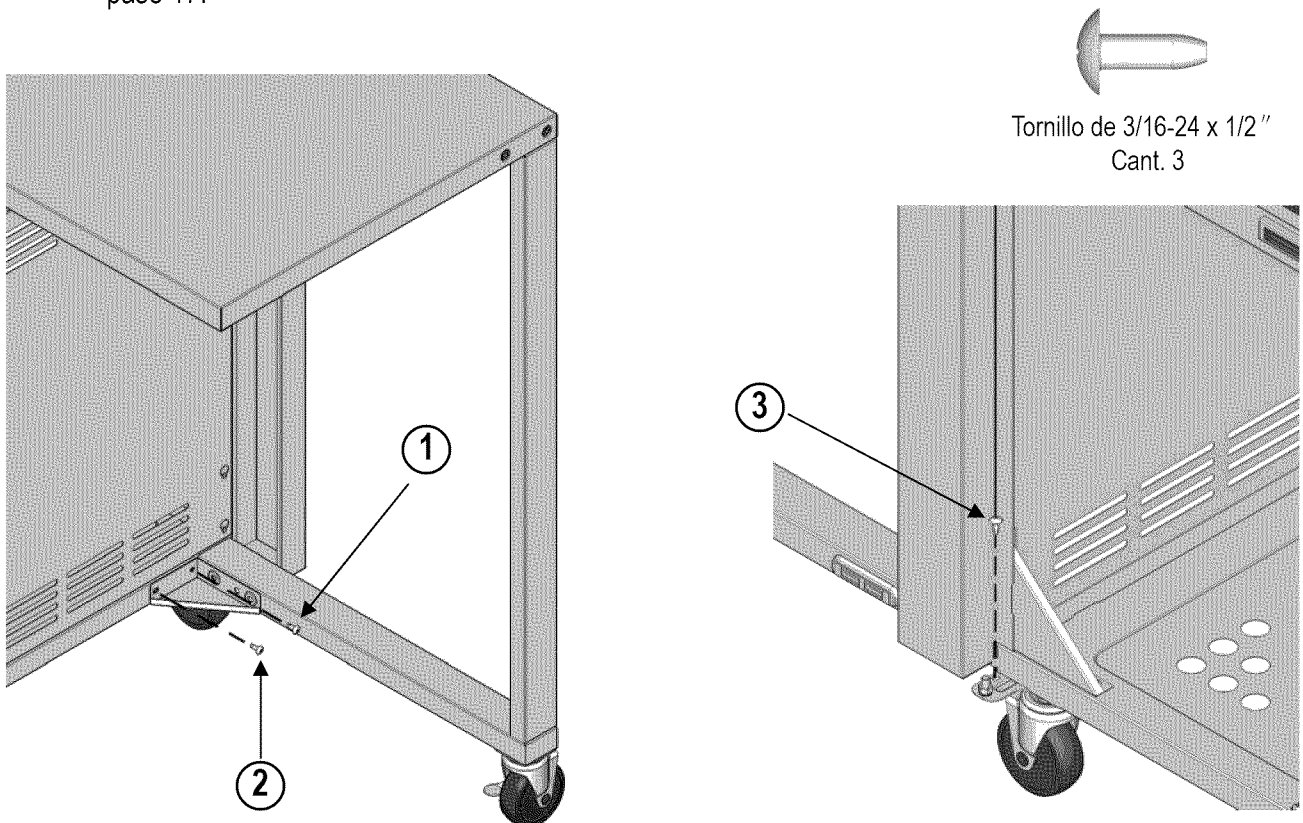


**17****Estante lateral**

Suelte el tornillo del panel izquierdo de la caja del quemador, con 3 ó 4 vueltas, según como se muestra. Cuelgue el estante lateral de los orificios ranurados de su lado en los tornillos sueltos. Ensamble el estante lateral desde su base, como se muestra, usando los dos tornillos 1/4-20 x 1". No apriete esos tornillos completamente.

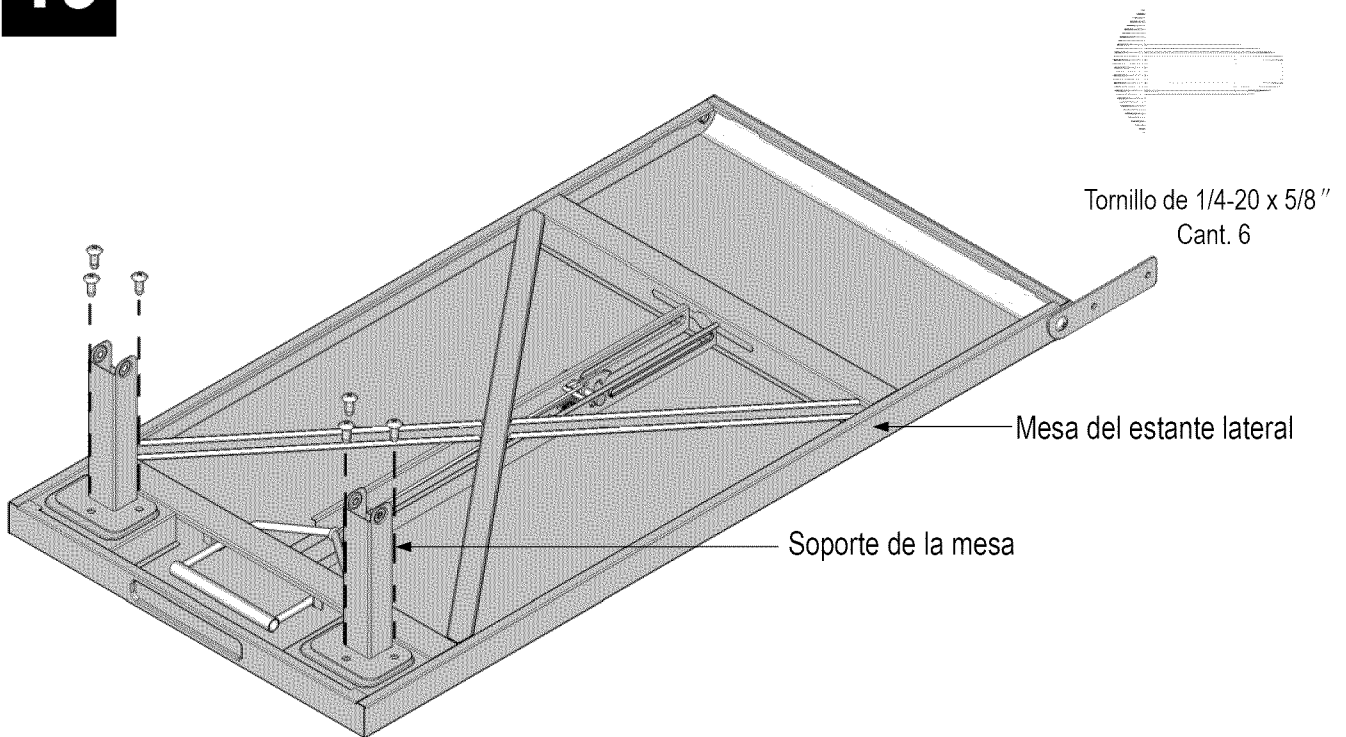
**18****Estante lateral**

Conecte el soporte de la base del estante lateral al panel inferior con tres tornillos 3/16-24 x 1/2". Siga la secuencia como se muestra para instalar estos tornillos. Apriete los tornillos en este paso y en el paso 17.



**19****Mesa del estante lateral**

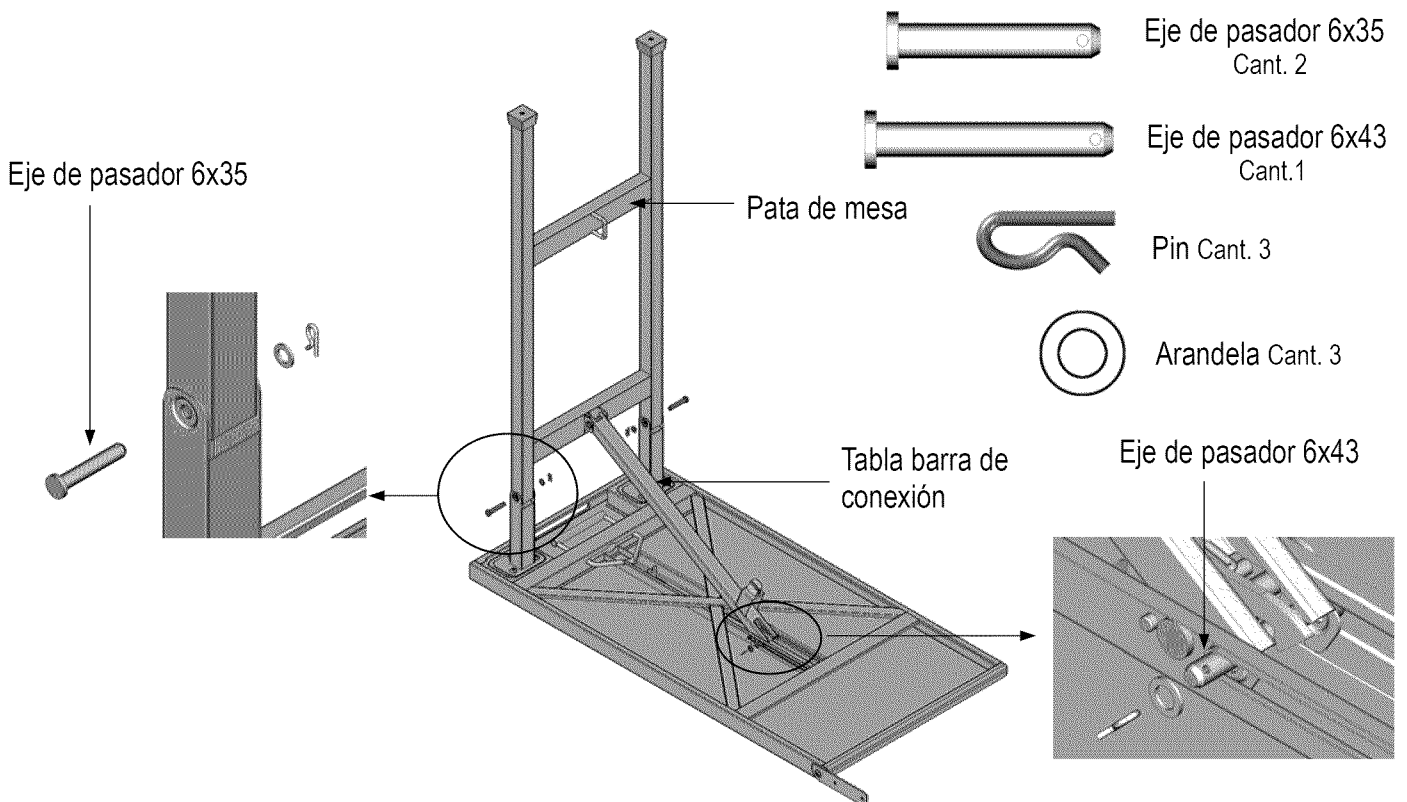
Instale el soporte de la mesa en la mesa del estante lateral con los 6 tornillos como se muestra.

**20****Mesa del estante lateral**

Conecte las patas de la mesa en el soporte de la mesa con todos ellos pasadores 6x35, chavetas y arandelas como se muestra.

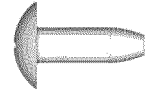
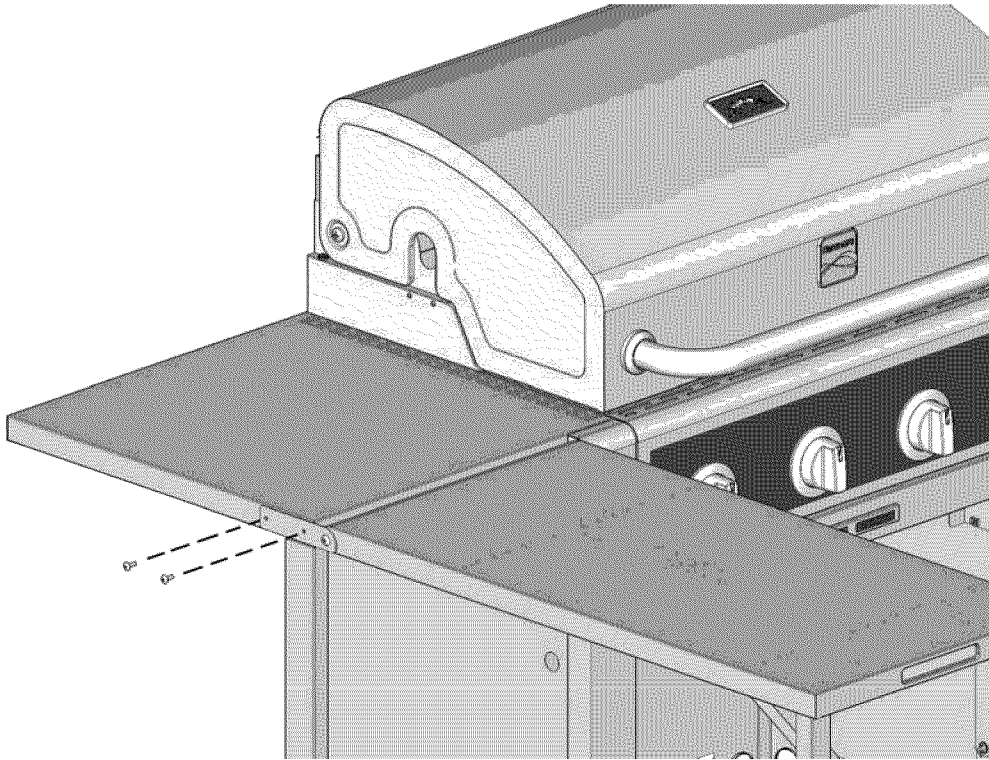
Conecte la barra de conexión de la mesa a la mesa del estante lateral con un eje de pasador 6x43, un pasador y arandelas.

**ADVERTENCIA:** Para evitar lesiones, asegúrese de que las partes de la mesa estén bien instaladas para evitar que se caigan mientras conecta la barra de conexión de la mesa y el eje del pasador.



**21****Mesa del estante lateral**

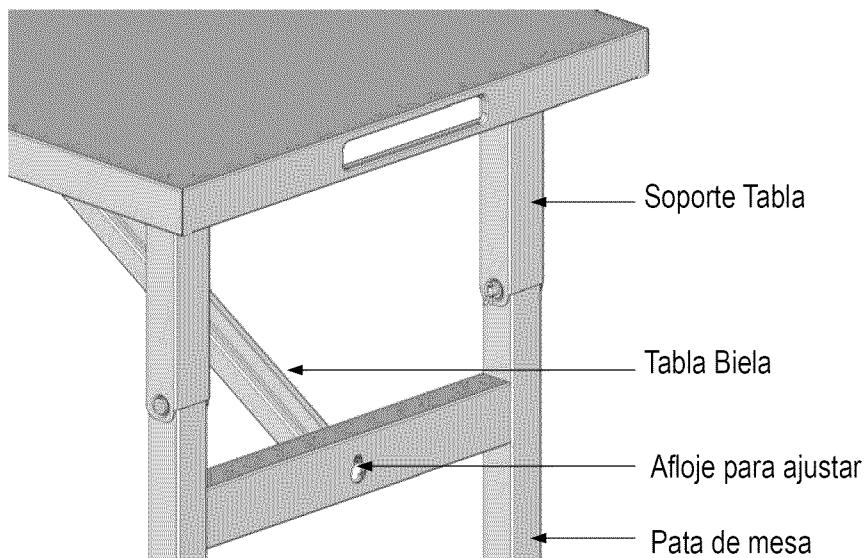
Desdoble las patas de la mesa en la posición vertical bloqueada. Inserte el edificio de la esquina derecha de la mesa del estante lateral en el pasador de bisagra del soporte de derechos del estante lateral. Instale la mesa del estante lateral en el estante lateral con los 2 tornillos, según como se muestra.



Tornillo de 3/16-24 x 1/2"  
Cant. 2

**22****Mesa del estante lateral**

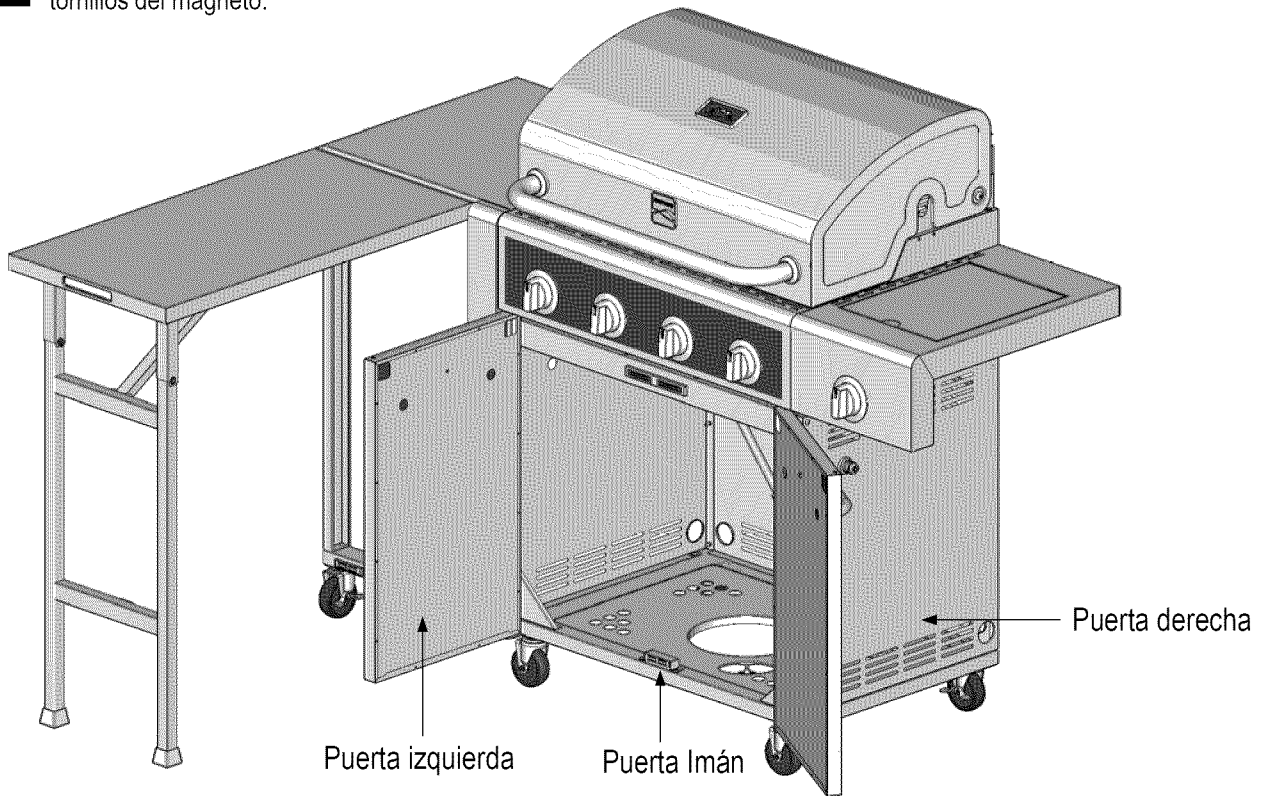
Si es necesario dejar las patas completamente derechas, suelte el tornillo de a barra de conexión de la mesa como se muestra. Ajuste las patas y apriete los tornillos.





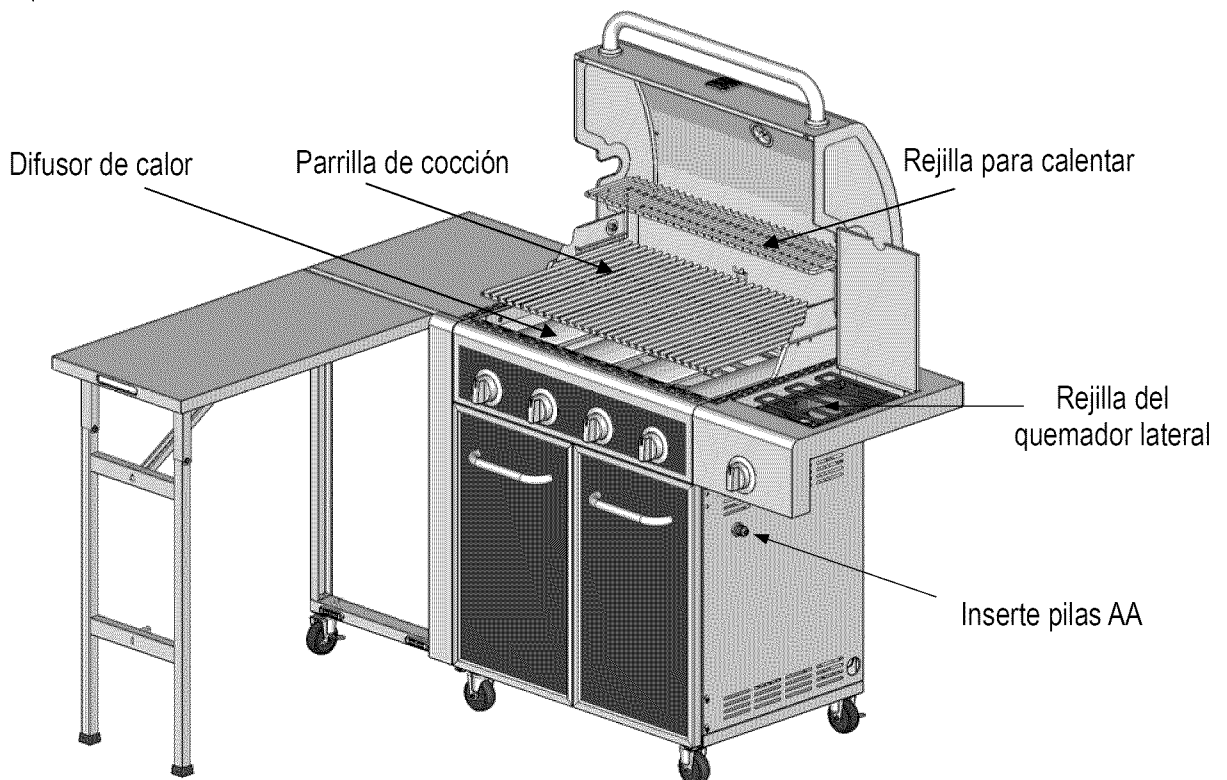
**23**

Para cada puerta, inserte el orificio inferior en el asador de bisagra del panel inferior. En pugna el pasador de bisagra en la esquina superior del panel de control, de tal manera que inserte en el orificio superior de la puerta. Ajuste el magneto de la puerta en el panel inferior para alinear el magneto con las puertas y luego apriete los tornillos del magneto.

**24**

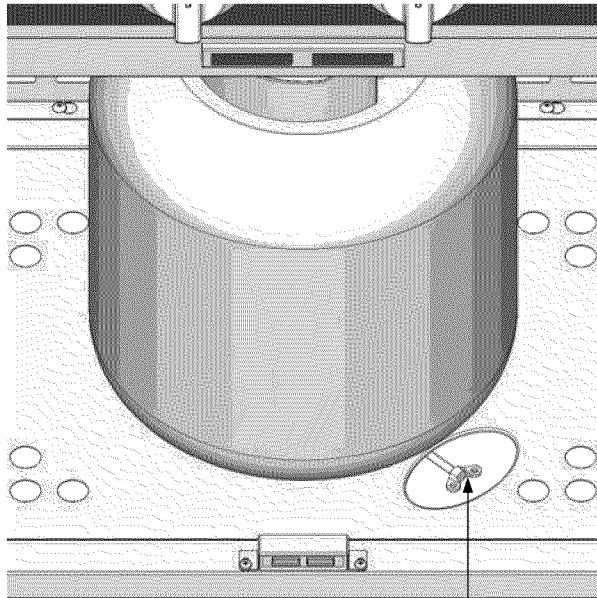
#### Instalación de los difusores de calor, rejillas de cocción, rejillas del quemador lateral y bastidor de calentamiento

Instale los difusores de calor, rejillas de cocción, rejillas del quemador lateral y bastidor de calentamiento, como se muestra. NOTA: Los lados del difusor se ajustan las ranuras de las partes delanteras y traseras de la caja del quemador. Ajuste la parte posterior del bastidor de calentamiento en el gancho de la pared posterior de la casa del quemador. Quite la tapa de las baterías inserte las baterías AA con el polo positivo hacia fuera. Vuelva a poner la tapa.

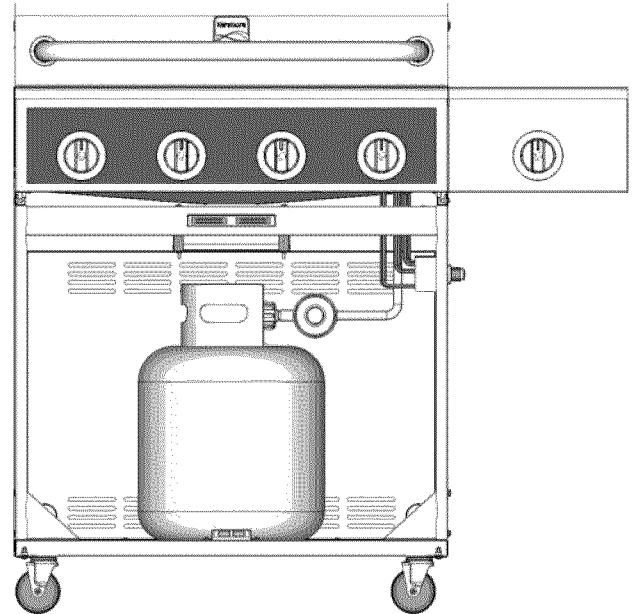


**25****Instalación del tanque LP**

Abra las puertas delanteras del carro. Afloje la tuerca mariposa. Instale la base del tanque del carro con la abertura del collar del tanque hacia la derecha, según se muestra. Apriete el perno mariposa. Conecte el regulador al tanque (consulte la página 5 de la sección de uso y cuidados).

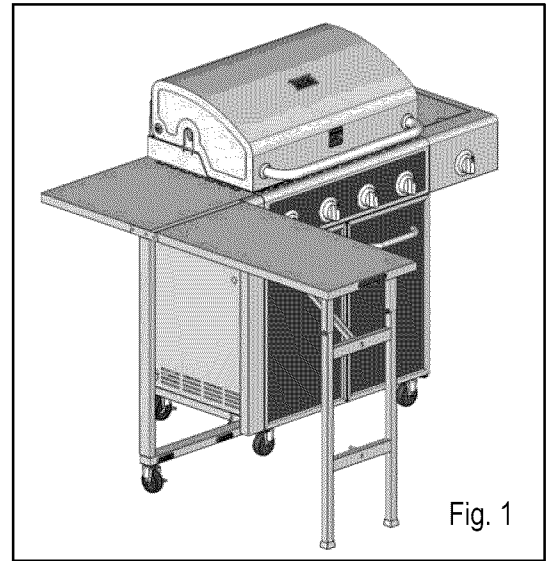


Perno de aletas



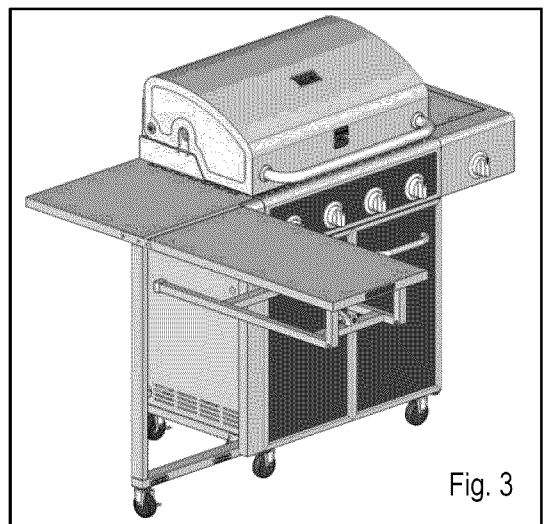
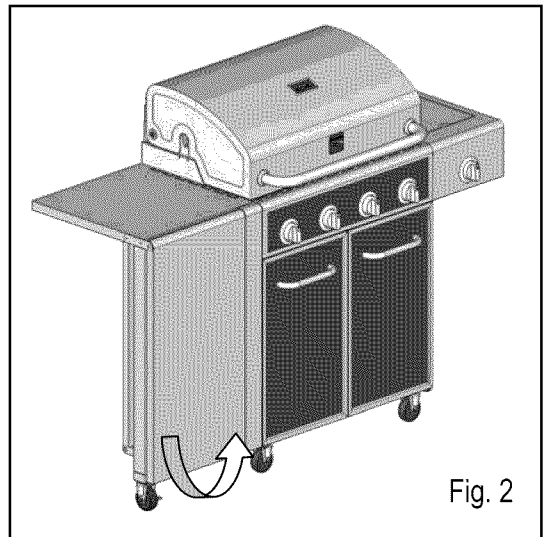
## DESPLIEGUE INSTRUCCIONES DE BUFFET DE MESA

La parrilla tiene una mesa de buffet doblada la cual se puede extender cuando no se usa. (Fig. 1)

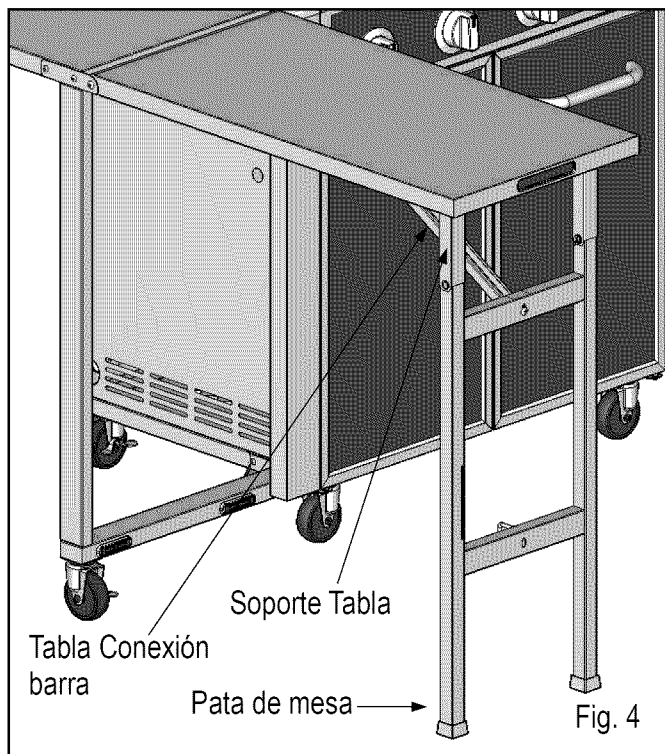


Para doblar la mesa de buffet hacia afuera, siga estos pasos:

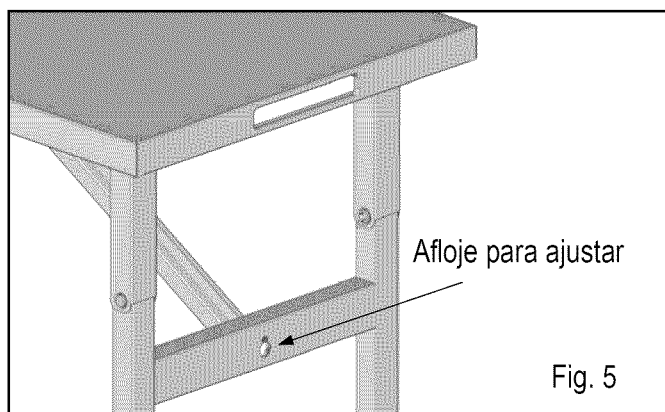
1. Tome el lado inferior de la mesa y levántela horizontalmente. Sostenga la mesa en esa posición hasta que baje las patas en el próximo paso. (Fig. 2, 3)



2. Empuje las patas de la mesa hacia abajo hasta que queden aseguradas en la posición. (Fig. 4)

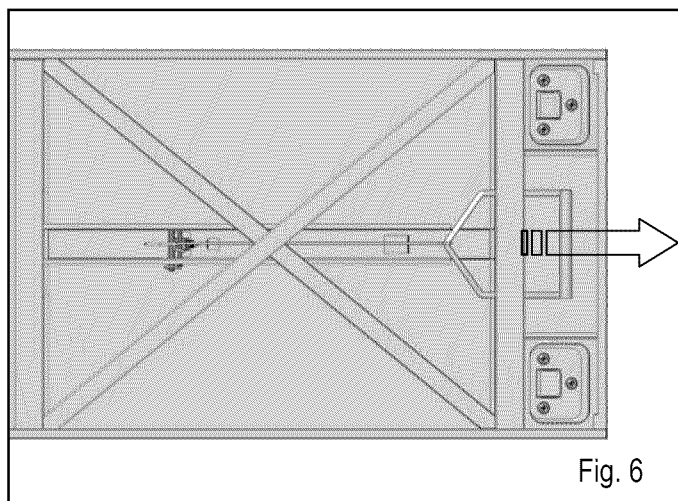


3. Si es necesario dejar las patas completamente derechas, suelte el tornillo de a barra de conexión de la mesa como se muestra. Ajuste las patas y apriete los tornillos. (Fig. 5)



Para doblar hacia abajo la mesa de buffet, siga estos pasos:

4. Hale la manija debajo de la mesa. (Fig. 6)



5. Continúe sosteniendo la manija hacia fuera y levante las patas de la mesa. (Fig. 7)

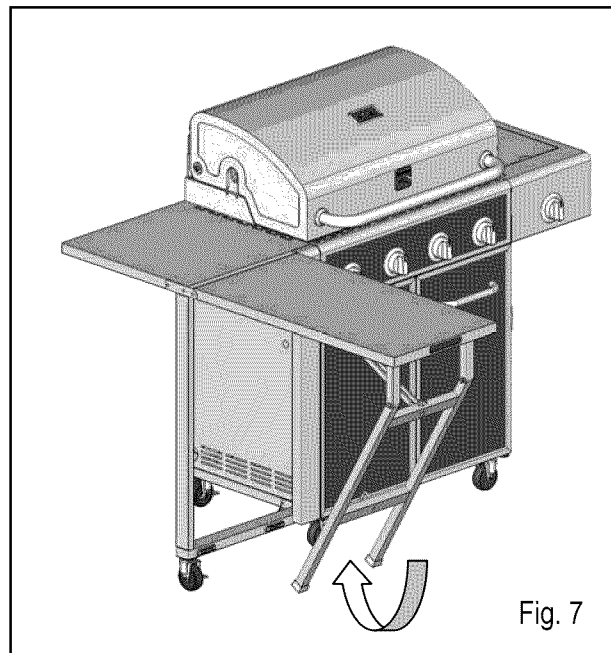


Fig. 7

6. Asegure las patas de la mesa en la parte inferior de la mesa según como se muestra. (Fig. 8)

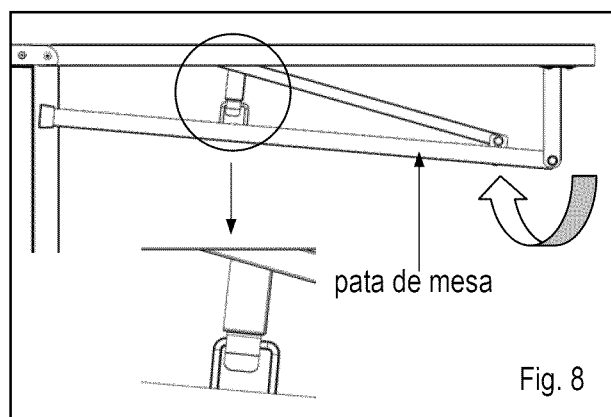


Fig. 8



7. Guíe la mesa hacia abajo hasta que asegure los magnetos en el soporte inferior del estante lateral. (Fig. 9)



Fig. 9

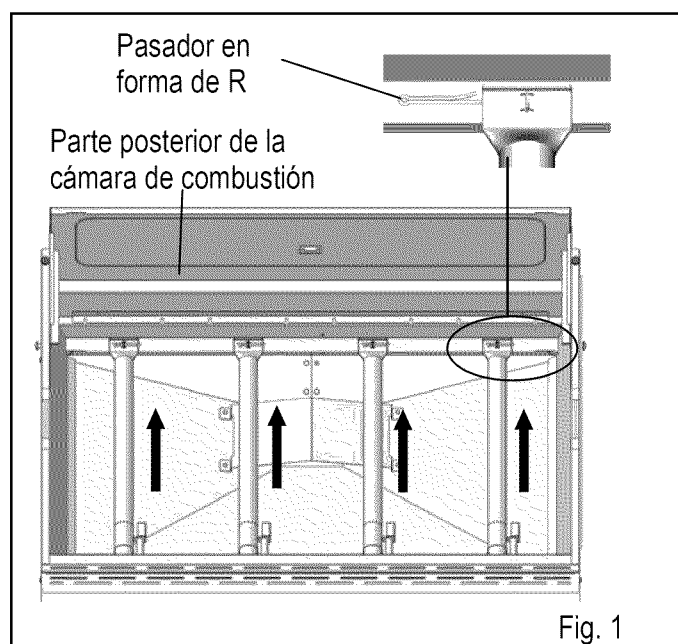
## Instrucciones de conversión de gas natural

El kit de GN 10478 incluye orificios para varios modelos de parrilla. Seleccione los orificios según la lista que aparece a continuación y deseche el resto. Siga las instrucciones de conversión incluidas con el kit.

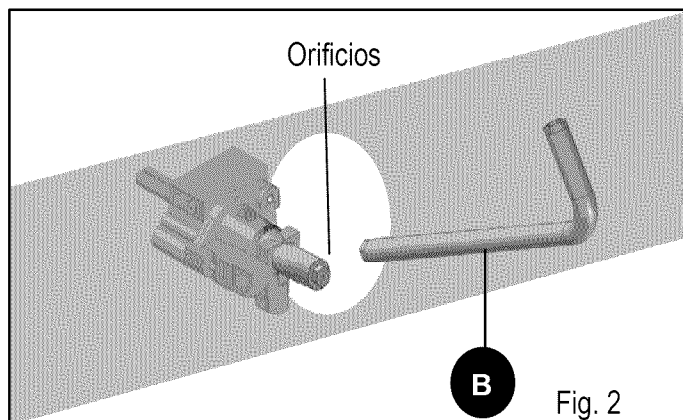
Modelo	Quemador principal 1.37mm	Quemador lateral 1.31mm
		
148.23683310	4 pcs	1 pcs

### Conversión del quemador principal

1. Retire los pasadores en forma de R de la parte posterior de los quemadores principales para extraerlos de la abrazadera. Levante la parte posterior de los quemadores principales mientras los desliza hacia fuera de la cámara de combustión, soltándolos de las válvulas. (Fig. 1)

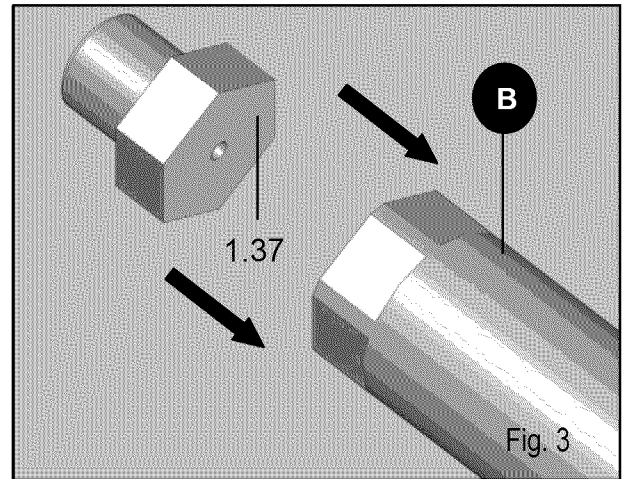


2. Inserte la herramienta para eliminar orificios (B) proporcionada en las aberturas del quemador y desatornille los orificios de los extremos de las válvulas. (Fig. 2)

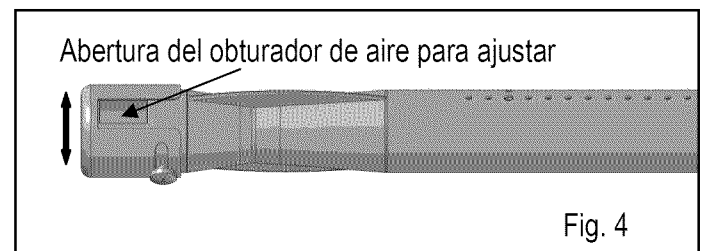


- Coloque el nuevo orificio en la herramienta para eliminar orificios (B), luego inserte la herramienta en la abertura del quemador y apriete el nuevo orificio en la válvula. Repita este paso para los cinco quemadores.

**Asegúrese de que está utilizando el orificio correcto, el cual está marcado como "1,37". (Fig. 3)**



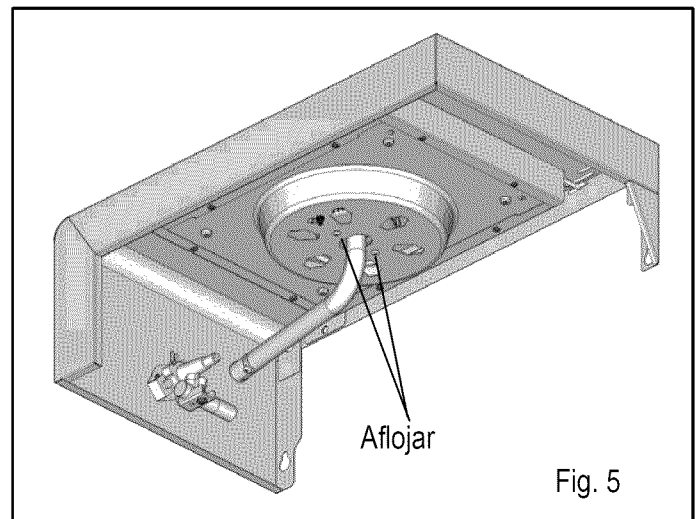
- Gire la abertura del obturador de aire del ajuste de PL al ajuste de GN.  
 PL: Abertura de 6,35 mm  
 GN: Abertura de 4,23 mm a 3,18 mm (Fig. 4)



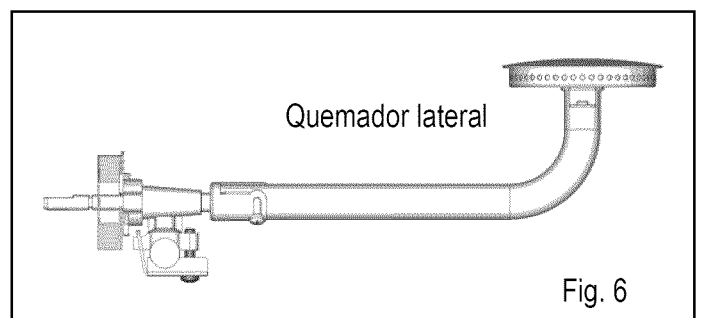
### Conversión del quemador lateral

- Suelte los tornillos del quemador lateral para exponer la válvula de este quemador. Inserte la herramienta en la válvula y desatornille el orificio del extremo de la válvula. Coloque el nuevo orificio en la herramienta para eliminar orificios y apriételo en la válvula.

**Asegúrese de que está utilizando el orificio correcto, el cual está marcado como "1,31". (Fig. 5)**



- Conecte el tubo del quemador en la válvula según se muestra. (Fig. 6)



## Conexión de la manguera para gas natural

1. Retire la manguera y el regulador de gas PL con una llave inglesa y conecte la manguera de gas natural en su lugar. (Fig. 7)

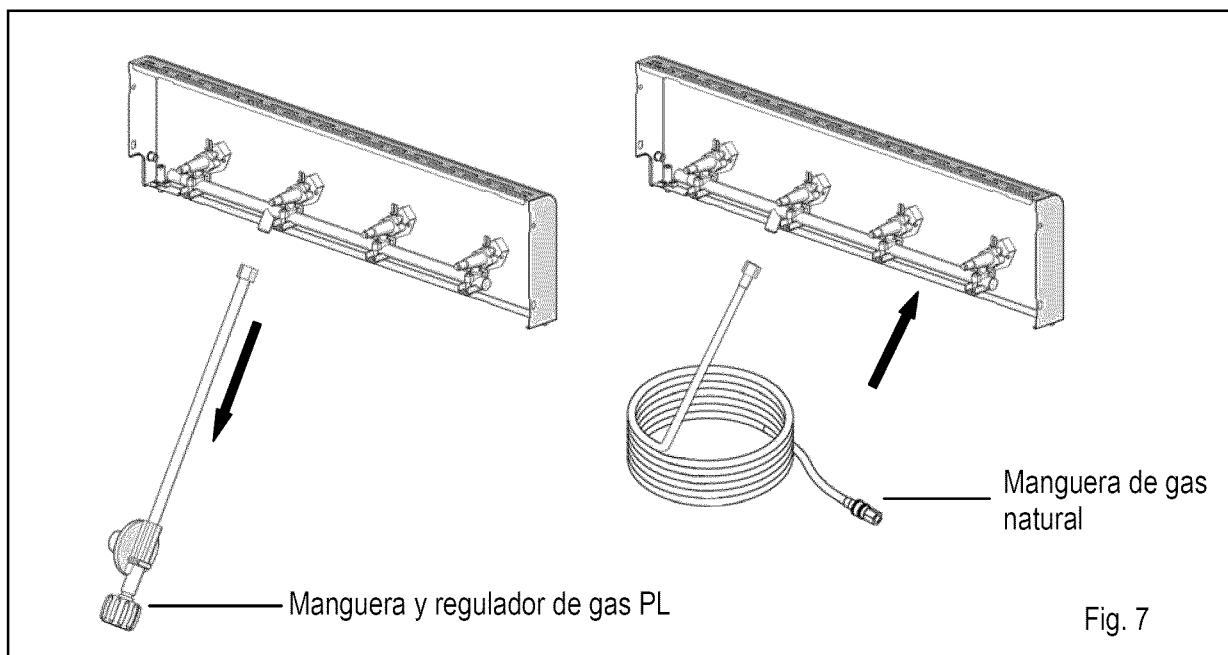


Fig. 7

## Ajuste el tornillo de control de la válvula

1. Jale todas las perillas para retirarlas de los vástagos de las válvulas. Ajuste el tornillo del orificio de la válvula con el destornillador de cabeza plana. Tornillos de seis vueltas completas hacia la izquierda. (Fig. 8)

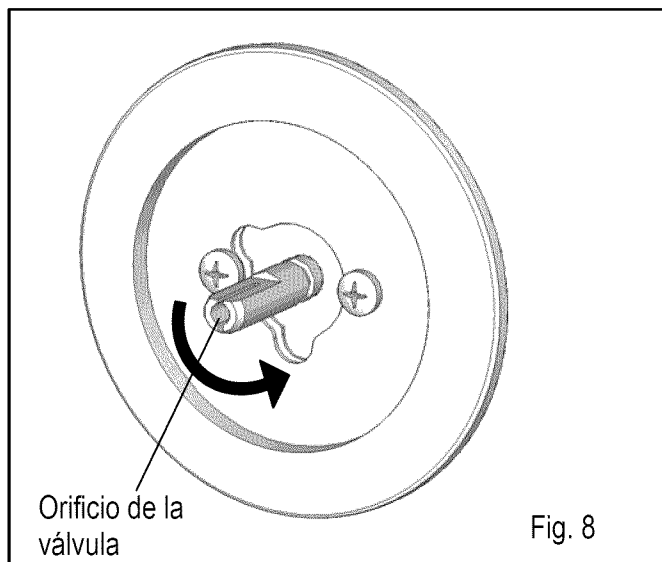


Fig. 8

2. Coloque a presión todas las perillas en los vástagos de las válvulas.
3. Luego de terminar las conversiones, vuelva a colocar los difusores de calor en la cámara de combustión, luego las parrillas y la rejilla para calentar.



## Solución de problemas

Problema	Causa posible	Acción correctiva
La parrilla o el quemador lateral no encienden	<ol style="list-style-type: none"> <li>1. El cable de encendido se desconectó del encendedor eléctrico.</li> <li>2. La distancia entre el pasador de encendido y el quemador es superior a 2,60 mm-5,10 mm (quemador lateral).</li> <li>3. El cable de encendido está roto.</li> <li>4. La batería se ha agotado.</li> <li>5. Los polos de la batería están mal colocados.</li> <li>6. La punta del electrodo no produce chispas en el puerto del quemador.</li> <li>7. No hay suministro de gas.</li> <li>8. La abertura del obturador de aire es demasiado grande.</li> </ol>	<ol style="list-style-type: none"> <li>1. Vuelva a conectar el cable de encendido al encendedor eléctrico.</li> <li>2. Afloje el pasador y ajuste la distancia, luego vuelva a apretarlo.</li> <li>3. Póngase en contacto con el Departamento de Servicio al Cliente para obtener un cable de encendido de repuesto.</li> <li>4. Instale una nueva batería AA.</li> <li>5. Cambie la ubicación de los polos de la batería.</li> <li>6. Vuelva a instalar el electrodo.</li> <li>7. Abra la válvula del regulador.</li> <li>8. Afloje el obturador de aire y ajuste la abertura a un tamaño menor.</li> </ol>
La llama del quemador es amarilla y se percibe olor a gas	<ol style="list-style-type: none"> <li>1. La abertura del obturador de aire no está bien ajustada.</li> <li>2. Arañas o insectos bloquean el obturador de aire.</li> <li>3. Hay fugas de gas</li> </ol>	<ol style="list-style-type: none"> <li>1. Afloje el obturador de aire y ajuste la abertura hasta obtener llamas azules. Abertura de 0,6 cm para GPL Abertura de 0,32 cm para gas natural.</li> <li>2. Despeje las obstrucciones.</li> <li>3. Busque el origen de la fuga de gas.</li> </ol>
Llamas excesivas	<ol style="list-style-type: none"> <li>1. Se están asando carnes grasosas mientras las perillas se encuentran en "HIGH" (alto).</li> <li>2. Roció agua sobre las llamas de gas.</li> <li>3. La cubierta está cerrada mientras asa.</li> </ol>	<ol style="list-style-type: none"> <li>1. Ase las carnes grasosas con las parrillas frías y las perillas en la posición "LOW" (BAJO). Si las llamas excesivas continúan, coloque la carne en la rejilla para calentar hasta que las llamas se asienten.</li> <li>2. Nunca rocíe agua sobre las llamas de gas.</li> <li>3. Mantenga la cubierta abierta mientras usa la parrilla.</li> </ol>
El quemador se apaga	<ol style="list-style-type: none"> <li>1. El tanque de PL está vacío.</li> <li>2. El quemador no está alineado con la válvula de control.</li> <li>3. El suministro de gas no es suficiente.</li> </ol>	<ol style="list-style-type: none"> <li>1. Vuelva a llenar el tanque de PL.</li> <li>2. Instale el quemador correctamente.</li> <li>3. Verifique la manguera de suministro de gas y asegúrese de que no haya fugas ni nudos.</li> </ol>

Problema	Causa posible	Acción correctiva										
La parrilla genera poco calor con la perilla en la posición "HI" (ALTO)	<ol style="list-style-type: none"> <li>1. Los modelos a gas natural generan poco calor.</li> <li>2. Los puertos están bloqueados.</li> <li>3. El tanque de PL se ha agotado.</li> </ol>	<ol style="list-style-type: none"> <li>1. Este modelo está configurado para utilizar 177,80 mm de gas natural. Verifique su sistema de suministro de gas natural para determinar si tiene una presión de gas correcta. Los modelos a gas natural no requieren regulador. Verifique los orificios si instaló boquillas para GN.</li> <li>2. Limpie las obstrucciones de los puertos.</li> <li>3. Vuelva a llenar el tanque de PL.</li> </ol>										
Se produce poco calor, gas natural	La presión del gas se ve considerablemente afectada por la línea de gas y el largo de la línea de gas proveniente de la casa.	<p>Verifique la línea de gas y realice las correcciones necesarias según la siguiente tabla.</p> <table border="1" data-bbox="914 913 1445 1261"> <thead> <tr> <th colspan="2" data-bbox="914 913 1445 976">Desde la casa hasta la parrilla</th> </tr> <tr> <th data-bbox="914 976 1106 1032">Distancia</th> <th data-bbox="1106 976 1445 1032">Tamaño de las tuberías</th> </tr> </thead> <tbody> <tr> <td data-bbox="914 1032 1106 1093">Hasta 7,62 m</td> <td data-bbox="1106 1032 1445 1093">3/8" de diámetro</td> </tr> <tr> <td data-bbox="914 1093 1106 1171">De 7,92 m a 15,24 m</td> <td data-bbox="1106 1093 1445 1171">1/2" de diámetro</td> </tr> <tr> <td data-bbox="914 1171 1106 1261">De 15,54 m a 30,48 m</td> <td data-bbox="1106 1171 1445 1261">2/3" de trayecto de 3/4" 1/3" de trayecto de 1/2"</td> </tr> </tbody> </table>	Desde la casa hasta la parrilla		Distancia	Tamaño de las tuberías	Hasta 7,62 m	3/8" de diámetro	De 7,92 m a 15,24 m	1/2" de diámetro	De 15,54 m a 30,48 m	2/3" de trayecto de 3/4" 1/3" de trayecto de 1/2"
Desde la casa hasta la parrilla												
Distancia	Tamaño de las tuberías											
Hasta 7,62 m	3/8" de diámetro											
De 7,92 m a 15,24 m	1/2" de diámetro											
De 15,54 m a 30,48 m	2/3" de trayecto de 3/4" 1/3" de trayecto de 1/2"											
Poco calor, gas PL	El ensamble del regulador de propano cuenta con un dispositivo de control de flujo excesivo diseñado para suministrar suficiente flujo de gas a la parrilla. Los cambios bruscos en la presión pueden activar el dispositivo de control de flujo excesivo y producir una llama y temperatura bajas.	<p>Siga estas instrucciones:</p> <ol style="list-style-type: none"> <li>1. Asegúrese de que todos los quemadores estén en la posición "OFF" (APAGADO).</li> <li>2. Abra la válvula del tanque y espere 5 minutos.</li> <li>3. Encienda de a un quemador por vez según las instrucciones de encendido enumeradas en el revestimiento de la puerta.</li> </ol>										

**Problema****Causa posible****Acción correctiva**

Disminución repentina del flujo de gas o llama baja	<ol style="list-style-type: none"><li>1. Se agotó el gas.</li><li>2. Se activó la válvula de exceso de flujo.</li> <li>3. Hay un bloqueo de vapores en la tuerca de acoplamiento/conexión del cilindro de gas PL.</li></ol>	<ol style="list-style-type: none"><li>1. Verifique el nivel de gas en el cilindro de PL.</li><li>2. Apague las perillas, espere 30 segundos y encienda la parrilla. Si las llamas siguen bajas, apague las perillas y la válvula del cilindro de PL. Desconecte el regulador. Vuelva a conectar el regulador y compruebe que no haya fugas. Encienda la válvula del cilindro PL, espere 30 segundos y encienda la parrilla.</li><li>3. Coloque las perillas en la posición de apagado y cierre la válvula del cilindro de PL. Desconecte la tuerca de acoplamiento del cilindro. Vuelva a conectar e intente nuevamente.</li></ol>
---	---	--

# Get it fixed, at your home or ours!

## Your Home

For troubleshooting, product manuals and expert advice:



[www.managemylife.com](http://www.managemylife.com)

For repair – in your home – of all major brand appliances, lawn and garden equipment, or heating and cooling systems, **no matter who made it, no matter who sold it!**

For the replacement parts, accessories and owner's manuals that you need to do-it-yourself.

For Sears professional installation of home appliances and items like garage door openers and water heaters.

**1-800-4-MY-HOME®** (1-800-469-4663)

Call anytime, day or night (U.S.A. and Canada)

[www.sears.com](http://www.sears.com)      [www.sears.ca](http://www.sears.ca)

## Our Home

For repair of carry-in items like vacuums, lawn equipment, and electronics, call anytime for the location of your nearest

**Sears Parts & Repair Service Center**

**1-800-488-1222** (U.S.A.)

[www.sears.com](http://www.sears.com)

**1-800-469-4663** (Canada)

[www.sears.ca](http://www.sears.ca)

To purchase a protection agreement on a product serviced by Sears:

**1-800-827-6655** (U.S.A.)

**1-800-361-6665** (Canada)

Para pedir servicio de reparación a domicilio, y para ordenar piezas:

**1-888-SU-HOGAR®**

(1-888-784-6427)

[www.sears.com](http://www.sears.com)

Au Canada pour service en français:

**1-800-LE-FOYER<sup>MC</sup>**

(1-800-533-6937)

[www.sears.ca](http://www.sears.ca)

# sears

® Registered Trademark / ™ Trademark of KCD IP, LLC in the United States, or Sears Brands, LLC in other countries

® Marca Registrada / ™ Marca de Fábrica de KCD IP, LLC en Estados Unidos, o Sears Brands, LLC in otros países

<sup>MC</sup> Marque de commerce / <sup>MP</sup> Marque déposée de Sears Brands, LLC

