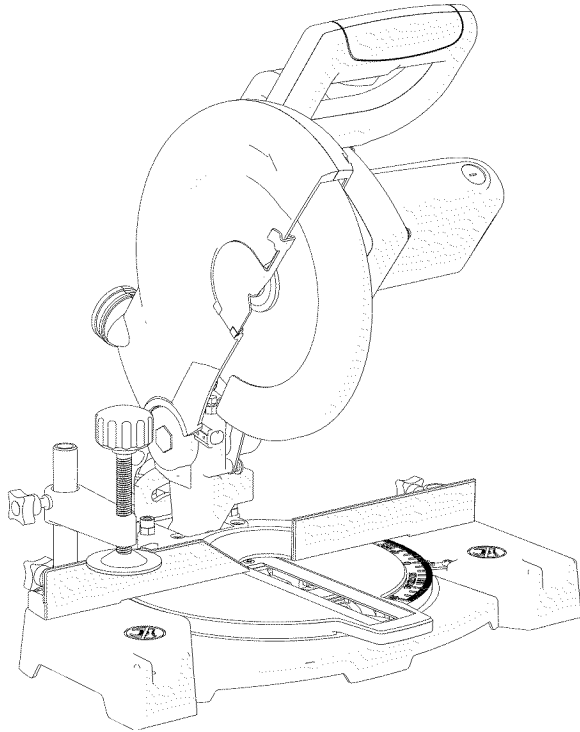


Operators Manual



8-1/4 IN. COMPOUND MITER SAW MODEL NO. 126.32565



CAUTION:

Before using this Miter Saw, read this manual and follow all its Safety Rules and Operating Instructions.

- Safety Instructions
- Installation
- Operation
- Maintenance
- Troubleshooting
- Parts List
- Español

Sears Brands Management Corporation, Hoffman Estates, IL 60179 U.S.A.

Visit our Craftsman website: www.craftsman.com

Part No: 3848236

TABLE OF CONTENTS

SECTION	PAGE
Warranty	2
Product Specifications	3
Symbols	4
Power Tool Safety.....	5
Multi-purpose Compound Miter Saw Safety.....	7
Electrical Requirements and Safety.....	9
Accessories and Attachments.....	11
Tools Needed For Assembly.....	12
Carton Contents.....	13
Know Your Multi-purpose Compound Miter Saw.....	14
Glossary of Terms.....	16
Assembly and Adjustments	18
Operation.....	26
Maintenance.....	34
Troubleshooting Guide	36
Parts List.....	38

WARRANTY

CRAFTSMAN ONE YEAR FULL WARRANTY

FOR ONE YEAR from the date of purchase, this product is warranted against defects in material or workmanship. A defective product will receive free or replacement if repair is unavailable. For warranty coverage details to obtain free repair or replacement, visit the web site: www.craftsman.com

This warranty does not cover the blade which is an expendable part that can wear out from normal use within the warranty period. This warranty is void if this product is ever used while providing commercial services or if rented to another person. This warranty gives you specific legal rights, and you may also have other rights which vary from state to state.

Sears Brands Management Corporation, Hoffman Estates, IL 60179

WARNING

Some dust created by using power tools contains chemicals known to the state of California to cause cancer and birth defects or other reproductive harm. Some examples of these chemicals are:

- Lead from lead-based paints
- Crystalline silica from bricks, cement and other masonry products
- Arsenic and chromium from chemically treated lumber

Your risk from these exposures varies, depending on how often you do this type of work. To reduce your exposure to these chemicals, work in a well ventilated area and work with approved safety equipment such as dust masks that are specially designed to filter out microscopic particles.

PRODUCT SPECIFICATIONS

MOTOR

Power Source.....120V, 60Hz, 10A
Speed.....4000RPM (No Load)
Double Insulated.....Yes

BLADE SIZE

Diameter.....8-1/4 in.
Arbor size.....1 in.
Blade Type.....Multi-purpose TCT (Tungsten Carbide Tipped).

ROTATING TABLE

Diameter.....9 in.

CUTTING CAPACITY

Mild Steel Plate..... Max Thickness 1/4in.
Mild Steel Box Section.....Max Wall Thickness 1/8 in.

Lumber

At 90°..... Max Section 2in. x 4 in.
At 45°..... Max Section 2 in. x 2-7/8 in.
At Compound Bevel (45° x 45°)..... Max Section 1-1/2 in. x 2-7/8 in.



To avoid electrical hazards, fire hazards or damage to the tool, use proper circuit protection.

This tool is wired at the factory for 110-120 Volt operation.

It must be connected to a 110-120 Volt / 10 Ampere time delay fuse or circuit breaker.

To avoid shock or fire, replace power cord immediately if it is worn, cut or damaged in any way.

Before using your tool, it is critical that you read and understand these safety rules.

Failure to follow these rules could result in serious injury to you or damage to the tool.

SYMBOLS

WARNING ICONS

Your power tool and its Operator's Manual may contain "WARNING ICONS" (a picture symbol intended to alert you to, and / or instruct you how to avoid a potentially hazardous condition).

Understanding these symbols will help you operate your tool better and safer.

Shown below are some of the symbols you may see:



SAFETY ALERT: Precautions that involve your safety.



PROHIBITION



WEAR EYE PROTECTION:

Always wear safety goggles or safety glasses with side shields.



READ AND UNDERSTAND OPERATOR'S MANUAL:

To reduce the risk of injury, user and all bystanders must read and understand operator's manual before using this product



KEEP HANDS AWAY FROM THE BLADE:

Failure to keep your hands away from the blade will result. in serious personal injury.



SUPPORT AND CLAMP WORK



DANGER: indicates an imminently hazardous situation which, if not avoided, will result in death or serious injury.



WARNING: indicates a potentially hazardous situation which, if not avoided, could result in death or serious injury.



CAUTION: indicates a potentially hazardous situation which, if not avoided, may result in minor or moderate injury.



CAUTION: used without the safety alert symbol indicates a potentially hazardous situation which, if not avoided, may result in property damage.

POWER TOOL SAFETY

GENERAL SAFETY INSTRUCTIONS BEFORE USING THIS POWER TOOL

Safety is a combination of common sense, staying alert and knowing how to use your power tool.

WARNING

To avoid mistakes that could cause serious injury, do not plug the tool in until you have read and understood the following.

1. READ and become familiar with the entire operator's Manual. **LEARN** the tool's application, limitations and possible hazards.



2. KEEP GUARDS IN PLACE and in working order.

3. REMOVE ADJUSTING KEYS AND WRENCHES.

Form the habit of checking to see that keys and adjusting wrenches are removed from the tool before turning ON.

4. KEEP WORK AREA CLEAN.

Cluttered areas and benches invite accidents.

5. DO NOT USE IN DANGEROUS ENVIRONMENTS.

Do not use power tools in damp locations, or expose them to rain or snow. Keep the work area well lit.

6. KEEP CHILDREN AWAY.

All visitors and bystanders should be kept a safe distance from the work area.

7. MAKE WORKSHOP CHILD PROOF with padlocks, master switches or by removing starter keys.

8. DO NOT FORCE THE TOOL.

It will do the job better and safer at the rate for which it was designed.

9. USE THE RIGHT TOOL.

Do not force the tool or an attachment to do a job for which it was not designed.

10. USE PROPER EXTENSION CORDS.

Make sure your extension cord is in good condition. When using an extension cord, be sure to use one that is heavy enough to carry the current your product will draw.

An undersized cord will result in a drop in line voltage and in loss of power which will cause the tool to overheat.

The table on page 10 shows the correct size to use depending on cord length and nameplate ampere rating.

If in doubt, use the next heavier gauge.

The smaller the gauge number, the heavier the cord.

11. WEAR PROPER APPAREL.

Do not wear loose clothing, gloves, neckties, bracelets or other jewelry which may get caught in moving parts.

Non-slip footwear is recommended.

Wear protective hair covering to contain long hair.

12. ALWAYS WEAR EYE PROTECTION.



Any power tool can throw foreign objects into the eyes and could cause permanent eye damage.

ALWAYS wear Safety Goggles (not glasses) that comply with **ANSI Safety standard Z87.1**.

Everyday eyeglasses have only impact resistant lenses.

They **ARE NOT** safety glasses.

Safety Goggles are available at Sears.

NOTE: Glasses or goggles not in compliance with ANSI Z87.1 could seriously injure you when they break.

13. WEAR A FACE MASK OR DUST MASK.

Sawing operations can produce dust.

14. SECURE WORK.



Use clamps or a vice to hold work when practicable.

It is safer than using your hand and it frees both hands to operate the tool.

15. DISCONNECT TOOLS FROM

POWER SOURCE before servicing, and when changing accessories such as blades, bits and cutters.

16. REDUCE THE RISK OF UNINTENTIONAL STARTING.

Make sure switch is in the **OFF** position before plugging the tool in.

17. USE RECOMMENDED ACCESSORIES.

Consult this Operator's Manual for recommended accessories.

The use of improper accessories may cause risk of injury to yourself or others.

18. NEVER STAND ON THE TOOL.

Serious injury could occur if the cutting tool is unintentionally contacted.

19. CHECK FOR DAMAGED PARTS.

Before further use of the tool, a guard or other part that is damaged should be carefully checked to determine that it will operate properly and perform its intended function - check for alignment of moving parts, binding of moving parts, mounting and any other conditions that may affect its operation. A guard or other part that is damaged should be properly repaired or replaced.

20. NEVER LEAVE THE TOOL RUNNING UNATTENDED. TURN THE POWER "OFF".

Do not walk away from a running tool until the blade comes to a complete stop and the tool is unplugged from the power source.

21. DO NOT OVER-REACH.

Keep proper footing and balance at all times. **NEVER** reach your hand or arm across the path of the cutting blade.

22. MAINTAIN TOOLS WITH CARE.

Keep tools sharp and clean for best and safest performance. Follow instructions for lubricating and changing accessories.

23. WARNING: Dust generated from certain materials can be hazardous to your health. Always operate saw in well-ventilated area and provide for proper dust removal.



24. People with electronic devices, such as pacemakers, should consult their physician(s) before using this product.

Operation of electrical equipment in close proximity to a heart pacemaker could cause interference or failure of the pacemaker.

MULTI-PURPOSE COMPOUND MITER SAW SAFETY

SPECIFIC SAFETY INSTRUCTIONS FOR THIS SINGLE BEVEL COMPOUND MITER SAW

1. DO NOT USE THIN KERF BLADES

they can deflect and contact guard and can cause possible injury to the operator.

2. **DO NOT** operate the miter saw until it is completely assembled and installed according to these instructions.

3. **IF YOU ARE NOT** thoroughly familiar with the operation of miter saws, seek guidance from your supervisor, instructor or other qualified person.

4. **ALWAYS** hold the workpiece firmly against the fence and table. **DO NOT** perform any operation freehand. Use a clamp to secure the workpiece whenever possible.

5. **KEEP HANDS** out of the path of the saw blade. If the workpiece you are cutting would cause your hands to be within 6-3/8 in. of the saw blade, the workpiece should be clamped in place before making the cut.

6. **BE SURE** the blade is sharp, runs freely and is free of vibration.

7. **ALLOW** the motor to come up to full speed before starting a cut.

8. **KEEP THE MOTOR AIR SLOTS CLEAN** and free of chips or dust.

9. **ALWAYS MAKE SURE** all handles are tight before cutting, even if the table is positioned in one of the positive stops.

10. **BE SURE** both the blade and the collar are clean and the arbor bolt is tightened securely.

11. **USE** only blade collars specified for your saw.

12. **NEVER** use blades larger in diameter than 8-1/4 inches..

13. **NEVER** apply lubricants to the blade when it is running.

14. **ALWAYS** check the blade for cracks or damage before operation. Replace a cracked or damaged blade immediately.

15. **NEVER** use blades recommended for operation at less than 4000 RPM.

16. **ALWAYS** keep the blade guards in place, and use at all times.

17. **NEVER** reach around the saw blade.

18. **MAKE SURE** the blade is not contacting the workpiece before the switch is turned ON.

19. **IMPORTANT:** After completing the cut, release the trigger and wait for the blade to stop before returning the saw to the raised position.

20. **MAKE SURE** the blade has come to a complete stop before removing or securing the workpiece, changing the workpiece angle or changing the angle of the blade.

21. USE THIS MULTI-PURPOSE MITER SAW ONLY FOR Wood, Mild Steel, Aluminium and Plastic materials. **DO NOT** use it to cut Stainless Steel, Masonry or Asbestos-based materials.

22. NEVER cut small pieces. If the workpiece being cut would cause your hand or fingers to be within 6-3/8 inch of the saw blade the workpiece is too small.

23. PROVIDE adequate support to the sides of the saw table for long workpieces.

24. NEVER use the miter saw in an area with flammable liquids or gases.

25. NEVER use solvents to clean plastic parts. Solvents could possibly dissolve or otherwise damage the material.

26. SHUT OFF the power before servicing or adjusting the tool.

27. DISCONNECT the saw from the power source and clean the machine when cutting is finished.

28. MAKE SURE the work area is clean before you leave the machine.

29. SHOULD any part of your miter saw be missing, damaged, or fail in any way, or any electrical component fail to perform properly, lock the switch and remove the plug from the power supply outlet. Replace missing, damaged, or failed parts before resuming operation.

ELECTRICAL REQUIREMENTS AND SAFETY

⚠ WARNING

POWER SUPPLY AND MOTOR SPECIFICATIONS

The AC motor used in this saw is a universal, non-reversible type. See “MOTOR” in the “PRODUCT SPECIFICATIONS” section on page 3.

⚠ WARNING

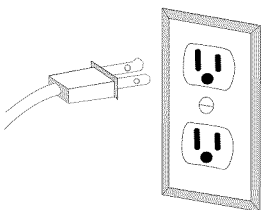
To avoid electrical hazards, fire hazards, or damage to the tool, use proper circuit protection. Your saw is wired at the factory for 120V operation. Plug the saw to a 120V, 15A electrical outlet. To avoid shock or fire, if power cord is worn or cut, or damaged in any way, have it replaced immediately.

DOUBLE INSULATED

This power tool is double insulated to provide a double thickness of insulation between you and the tool’s electrical system. All exposed metal parts are isolated from the internal metal motor components with protecting insulation.

Replacement parts – When servicing, use only identical replacement parts.

Polarized plugs – This saw has a plug that looks like the one shown below:



To reduce the risk of electrical shock, this saw has a polarized plug (one blade is wider than the other). This plug will fit in a polarized outlet only one way. If the plug does not fit fully in the outlet, reverse plug. If it still does not fit, contact a qualified electrician to install the proper outlet. Do not change the plug in any way.

⚠ WARNING

Double insulation does not take the place of normal safety precautions when operating this tool.

To avoid electrocution:

1. Use only identical replacement parts when servicing a tool with double insulation. Servicing should be performed by a qualified technician.
2. Do not use power tools in wet or damp locations or expose them to rain or snow.

MOTOR SAFETY PROTECTION

IMPORTANT:

To avoid motor damage, the motor should be blown out or vacuumed frequently to keep dust from interfering with motor ventilation.

1. Plug the saw into a 120V, 15A electrical outlet.

NOTE: When using an extension cord on a circuit with a # 18 wire, the extension cord must not exceed 25 feet in length.

2. If the motor will not start, release the trigger switch immediately.

UNPLUG THE SAW. Check the saw blade to make sure it turns freely.

If the blade is free, try to start the saw again. If the motor still does not start, refer to the **TROUBLESHOOTING GUIDE**.

3. If the tool suddenly stalls while cutting, release the trigger switch and unplug the tool. Free the blade from the workpiece. Restart the machine and complete the cut.

4. **FUSES** may “blow” or circuit breakers may trip if:

a. **MOTOR** is overloaded – overloading can occur if you feed too rapidly or make too many start / stops in a short time.

b. **LINE VOLTAGE** is more than 10% above or below the nameplate voltage rating.

For heavy loads, the voltage at the motor terminals must equal the voltage specified on the nameplate.

c. **IMPROPER** or dull saw blades are used.

5. Most motor troubles can be traced to loose or incorrect connections, overload, low voltage or inadequate power supply wiring. Always check the connections, the load and the supply circuit if the motor does not run well. Check minimum gauge for the length of cord you are using on the chart below.

GUIDELINES FOR EXTENSION CORDS

Use a proper extension cord.

Make sure your extension cord is in good condition. When using an extension cord, be sure to use one that is heavy enough to carry the current your product will draw.

An undersized cord will cause a drop in line voltage, resulting in loss of power and overheating.

The table below shows the correct size to use depending on cord length and nameplate ampere rating.

If in doubt use the next heavier gauge.

The smaller the gauge number, the heavier the cord.

Be sure your extension cord is properly wired and in good condition. Always replace a damaged extension cord or have it repaired by a qualified person before using it. Protect your extension cord from sharp objects, excessive heat and damp or wet areas.

Use a separate electrical circuit for your tools. Plug the saw into a 120V, 15A electrical outlet.

NOTE: When using an extension cord on a circuit with a # 18 wire, the extension cord must not exceed 25 feet in length. Before connecting the tool to the power line, make sure the switch is in the OFF position and the electric current is rated the same as the current stamped on the motor nameplate, as running at a lower voltage will damage the motor.

MINIMUM GAUGE FOR EXTENSION CORD (AWG)					
(WHEN USING 120 VOLTS ONLY)					
AMPERE RATING		TOTAL LENGTH OF CORD			
MORE THAN	NOT MORE THAN	25FT	50FT	100FT	150FT
0	6	18	16	16	14
6	10	18	16	14	12
10	12	16	16	14	12
12	16	14	12	NOT RECOMMENDED	



In all cases make certain the receptacle in question is properly grounded. If you are not sure, have a certified electrician check the receptacle.

ACCESSORIES AND ATTACHMENTS

AVAILABLE ACCESSORIES

WARNING

- Use only accessories recommended for this miter saw. Follow instructions that accompany accessories. Use of improper accessories may cause hazards.
- The use of any cutting tool except 8-1/4 in. saw blades which meet the requirements under recommended accessories is prohibited. Do not use accessories such as shaper cutters or dado sets. The use of abrasive wheels is prohibited.
- Do not attempt to modify this tool or create accessories not recommended for use with this tool. Any such modification is misuse and could result in a hazardous condition leading to possible serious injury.

ACCESSORIES

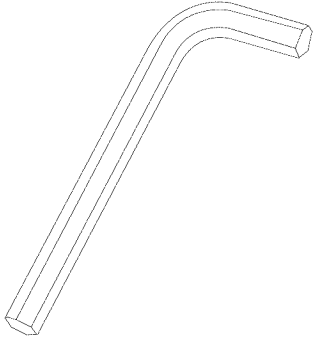
Visit your Sears Hardware Department or see the Craftsman Power and Hand Tool Catalogue to purchase available accessories for this power tool.

WARNING

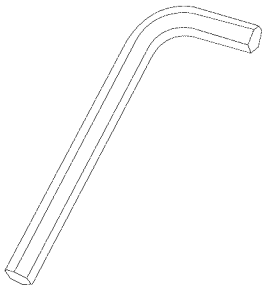
- To avoid the risk of personal injury, do not modify this power tool or use accessories that are not Craftsman brand.
- Read warnings and conditions on your TCT BLADE.
(Tungsten Carbide Tipped)
- Do not operate the saw without the proper saw blade guard in place. Carbide is a very hard material.
- Care should be taken while mounting, using and storing carbide tipped blades to prevent accidental damage. Shocks such as striking the tips while handling can damage the blade.
- Before using, always visually examine the blade for cracks, missing or loose tips, distortion or any other damage. Do not use if any damage is suspected. Failure to heed safety instructions and warnings can result in serious bodily injury.

TOOLS NEEDED FOR ASSEMBLY

SUPPLIED

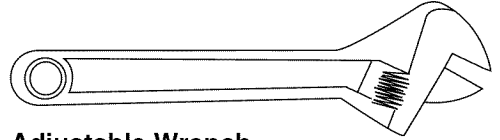


Allen Key (Blade Change)

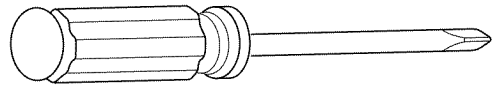


Allen Key (Adjustments)

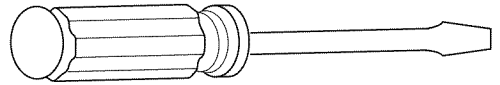
NOT SUPPLIED



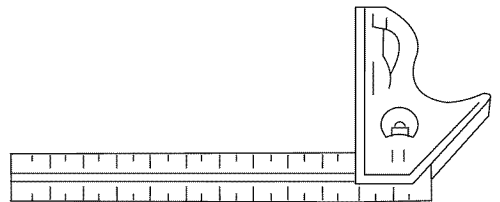
Adjustable Wrench



Phillips Screwdriver



Slotted Screwdriver



Combination Square
(Known to be accurate)

CARTON CONTENTS

UNPACKING YOUR MITER SAW

⚠ WARNING

To avoid injury from unexpected starting or electrical shock, do not plug the power cord into a source of power during unpacking and assembly.

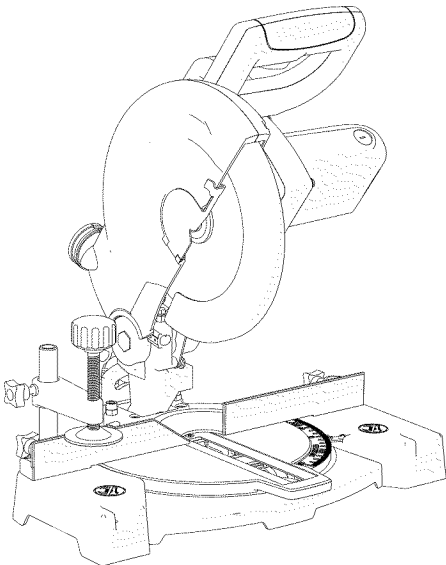
The power cord must remain unplugged when adjustments or maintenance to the machine takes place.

1. Remove the miter saw from the carton.

IMPORTANT: Do not lift the miter saw by the trigger switch handle. It may cause misalignment.

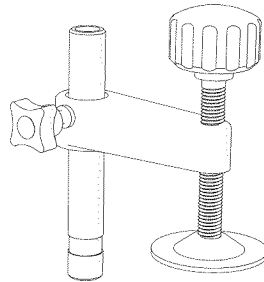
2. Place the saw on a secure, stable work surface.

3. Separate all the parts from the packing material. Check each one with the illustrations below to make certain that all items are accounted for before discarding any packing material.



⚠ WARNING

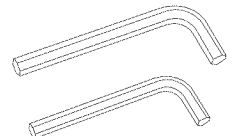
- If any part is missing or damaged do not attempt to assemble the miter saw, or plug in the power cord until the missing or damaged part is correctly replaced.
- Call 1-800-469-4663 for missing or damaged parts.
- To avoid electric shock, use only identical replacement parts when servicing double insulated tools.
- Call 1-800-469-4663 for replacement parts.



Hold Down Clamp



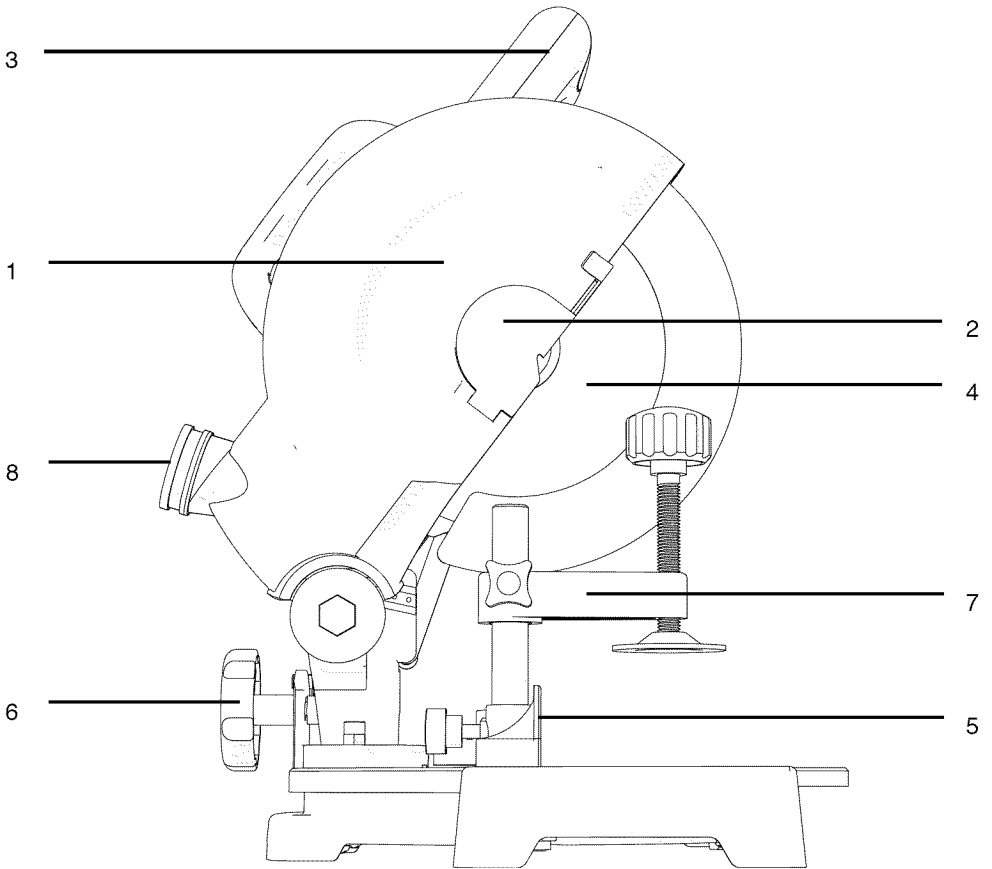
Dust Bag



Allen Keys

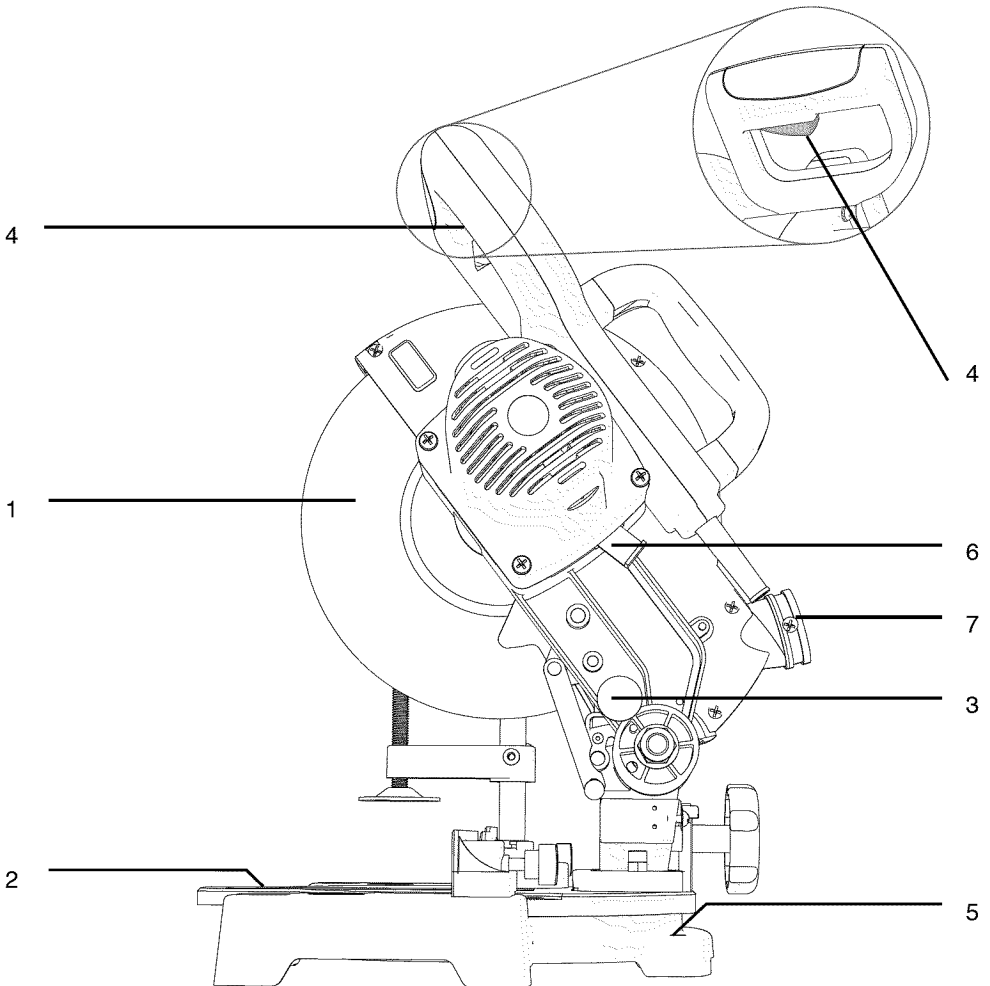
8.25 Inch Multi-Purpose Miter Saw

KNOW YOUR MULTI-PURPOSE MITER SAW



- 1- UPPER BLADE GUARD
- 2 - AUXILIARY BLADE GUARD
- 3 - CUTTING HEAD HANDLE
- 4 - BLADE (housed inside a metallic lower blade guard)
- 5 - FENCE
- 6 - BEVEL LOCK HANDLE
- 7 - HOLD DOWN CLAMP
- 8 - DUST EXTRACTION PORT

KNOW YOUR MULTI-PURPOSE MITER SAW



1 - LOWER BLADE GUARD

2 - TABLE

3 - CUTTING HEAD LATCHING PIN

4 - ON/OFF TRIGGER SWITCH

5 - MOUNTING HOLE (there are 4 mounting holes in total, 2 at the back and 2 at the front)

6 - ARBOR LOCK BUTTON

7 - DUST EXTRACTION PORT

GLOSSARY OF TERMS

AMPERAGE (AMPS) – A measure of the flow of electric current. Higher ratings generally means the tool is suited for heavier use.

ARBOR – The shaft on which the blade is mounted.

ARBOR LOCK – Allows the user to keep the blade from rotating while tightening or loosening the arbor bolt during blade replacement or removal.

BASE – Supports the table, holds accessories and allows for workbench or leg set mounting.

BEVEL CUT – An angle cut made through the face of the workpiece.

BEVEL LOCKING HANDLE – Locks the miter saw at a desired bevel angle.

BEVEL SCALE – To measure the bevel angle of the saw blade 0° to 45° left.

TUNGSTEN CARBIDE TIPPED (TCT)
– Extremely hard steel pieces with sharp cutting edges fastened to cutting tools such as saw blades.

COMPOUND CUT – A combination of a miter angle and a bevel angle.

CUTTING HEAD LATCHING PIN – Locks the miter saw in the lowered position for compact storage and transportation.

DOUBLE- INSULATED – A form of electrical protection featuring two separate insulation systems to help protect against electric shock.

MITER SCALE – Indicates the miter angle selected 0° to 45° to the right hand or left hand side.

EXTENSION CORD – An electrical cord used between power tools and outlets to extend the distance between the two. The more amperage your tool uses and the longer the distance, the larger the wire needed in your extension cord.

EYE PROTECTION – Goggles or spectacles intended to protect you eyes. Eye protection should meet the requirements of ANSI Z.87.1 (USA) or CSA Z94.3-M88 (CANADA).

FACE SHIELD – An impact resistant shield to protect your face from chips, sparks, small debris. Should only be used in conjunction with additional eye protection.

FENCE – Helps to keep the workpiece from moving during cutting operations.

GUARD – Protective device that forms a barrier between an hazardous object such as a blade, wheel or cutter and the operator.

HOLD DOWN CLAMP – Secures the workpiece during cutting operations.

OPERATOR'S MANUAL – Booklet accompanying your power tool that describes the hazards and safe operation procedures and outlines basic tool operation, care and maintenance.

KERF – The width of a saw cut, determined by the thickness and set of the blade

KICKBACK – Sudden and unintended movement of the tool or the workpiece. It is typically caused by binding or pinching of the workpiece.

MITER CUT – A miter is a type of joint where the two parts to be joined are cut at an angle, and typically the finished joint forms a 90 degree angle.

MOUNTING HOLES – Used to mount the miter saw to a level stable work surface.

ON/OFF TRIGGER SWITCH – To start the tool, squeeze the trigger. Release the trigger to turn the miter saw OFF.

REVOLUTIONS PER MINUTE (RPM) – The number of turns or rotations completed by a spinning object in one minute.

SAW BLADE PATH – The area of the workpiece or table top directly in line with the travel of the blade or the part of the workpiece which will be cut.

CUTTING HEAD HANDLE – Contains the trigger switch. The blade is lowered by pushing down on the handle. The saw will return to its upright position when the handle is released.

WARNING LABELS – For your own safety read and understand any labels attached to the machine.

⚠ WARNING

To avoid injury from unexpected starting or electrical shock, do not plug the power cord into a power source during unpacking or assembly. The power cord must remain unplugged whenever you are working on the saw.

⚠ WARNING

To avoid injury and/or damage to the saw, transport or store the miter saw with the Cutting Head locked in the down position. Always ensure that the Cutting Head is released from its locked position before beginning cutting operations.

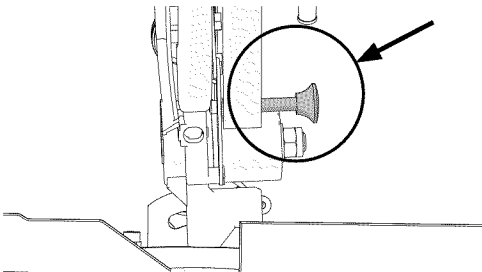
CUTTING HEAD

WARNING: To avoid serious injury, NEVER perform the unlocking or locking procedure unless the saw is OFF and the blade has stopped turning.

Unlocking the Cutting Head (Fig. A)

- With one hand grasp and gently press down on the **Cutting Head Handle**.
- With your other hand pull out the Latching Pin from its socket and allow the head to rise to its upper position.

NOTE: We recommend that when the machine is not in use the Cutting Head is locked in its down position, and the latching pin fully engaged in its socket.

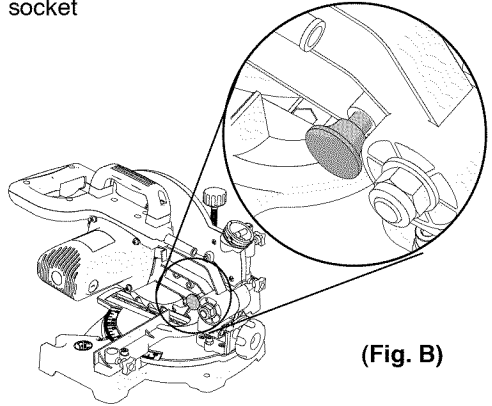


(Fig. A)

Locking the Cutting Head in the Down Position (Fig. B)

When not using transporting or storing the Miter Saw, the Cutting Head should always be locked in the down position.

- Lower the Cutting Head to its lowest position.
- Push the Latching Pin into the locking socket



(Fig. B)

INSTALLING THE DUST COLLECTION BAG

Attach the Dust Collection Bag at the dust extraction port. (see **KNOW YOUR MULTI-PURPOSE MITER SAW** page 14)

- Slide the frame of the collection bag on to the outlet of the extraction port, ensuring that it is firmly connected.
- To release the bag, slide the frame in the opposite direction.

NOTE: To ensure optimal dust collection, empty the dust bag when it becomes approximately 2/3 full.

CAUTION

Dispose of the contents of the dust collection bag in an environmentally responsible way. It may be necessary to wear a dust mask when emptying the dust collection bag.

WARNING

Always remove the dust collection bag before cutting metallic materials to prevent the possibility of fire resulting from combustion between wood sawdust and metallic fragments.

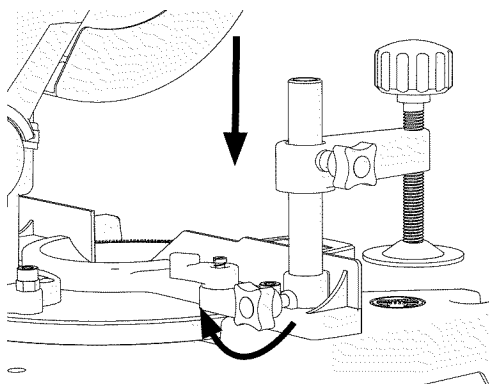
INSTALLING THE HOLD DOWN CLAMP

(Fig. C)

Two sockets (one on either side) are incorporated into the rear of the machines fence.

1. Fit the clamp into the retaining socket that best suits the cutting application, ensuring that it is fully pushed down.
2. Tighten the fence thumbscrew to lock the pillar of the Hold Down Clamp into the fence socket.
3. Put the workpiece to be cut onto the saw bed.
4. Adjust the clamp using the thumbscrew and hand-wheel so that it securely holds the workpiece to the saw bed. Ensure that the clamp does not interfere with the blade path.

(Fig. C)



INSTALLING OR REMOVING A BLADE

WARNING

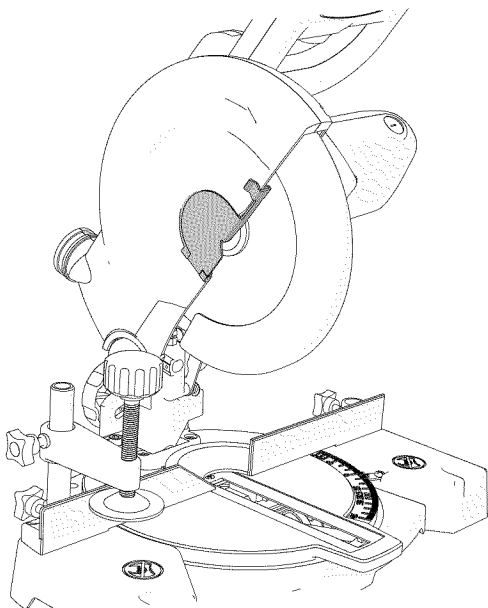
Only use blades which are designed for this machine.

Ensure that the maximum speed of the blade is compatible with the machine. Only carry out this procedure with the machine disconnected from the power source.

NOTE: Wear protective gloves when handling the blade during installation and removal.

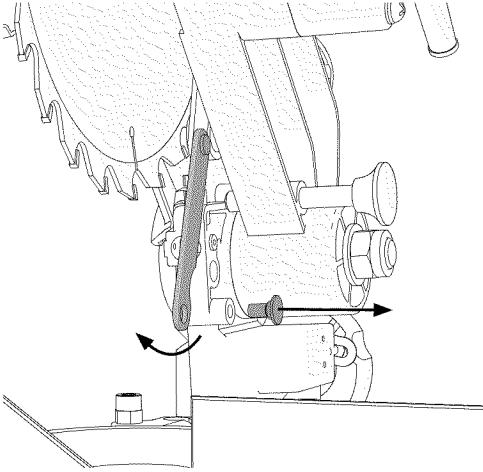
1. Ensure the Cutting Head is up.
2. Push the catch downwards on the front of the auxiliary guard, and swing the auxiliary guard outwards to expose the arbor bolt.

(Fig. D)



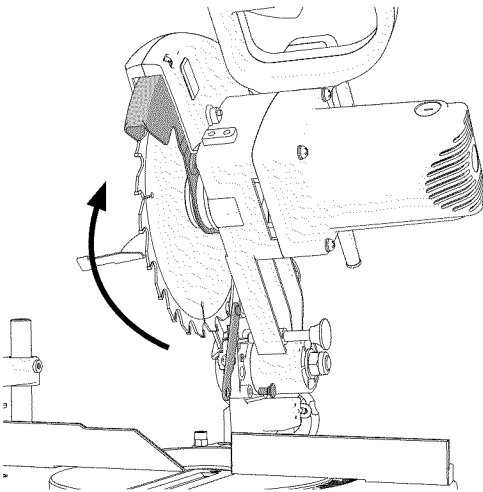
(Fig. D)

3. Remove the lower guard operating arm retaining screw. Release the guard operating arm from its pivot. **(Fig. F)**



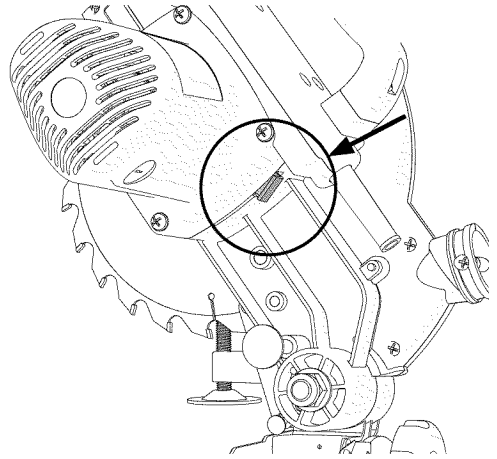
(Fig. F)

4. Rotate the lower blade guard up into the upper blade guard. **(Fig. G)**



(Fig. G)

5 Press the arbor lock button to lock the arbor. **(Fig. H)**

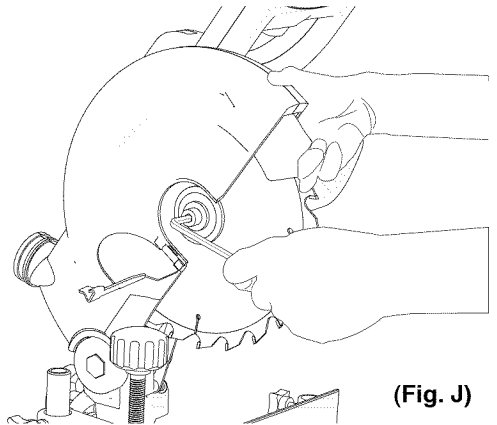


(Fig. H)

6. Using the supplied Allen Key, release the arbor screw to remove the blade.

(Fig. J)

NOTE: The arbor screw is reverse threaded. Turn to the right to loosen and to the left to tighten.

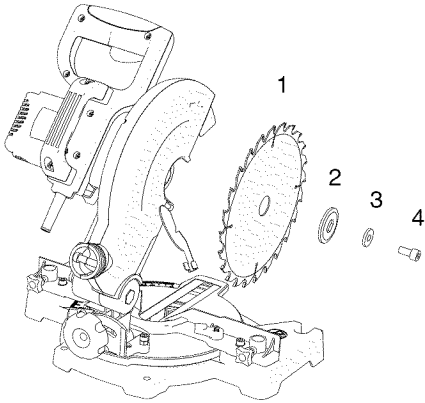


(Fig. J)

7. Install the new 8-1/4" blade. Make sure the rotation arrow on the blade matches the clockwise rotation arrow on the upper guard.

NOTE: The blade teeth should always point downward at the front of the saw.

8. Install the blade, outer blade collar, washer and arbor screw. (1, 2, 3, 4)



9. Lock the arbor and tighten the arbor screw using moderate force, but do not overtighten.

10. Replace the lower guard operating arm and its retaining screw.

11. Ensure the Allen Key is removed and the arbor lock has released by rotating the blade by hand.

12. Rotate the auxiliary guard forward until it locks in its service position.

13. Ensure that all the blade guards are correctly positioned and fully functional before using the machine.

NOTE: Spacers and spindle rings should not be used with this machine or blade.

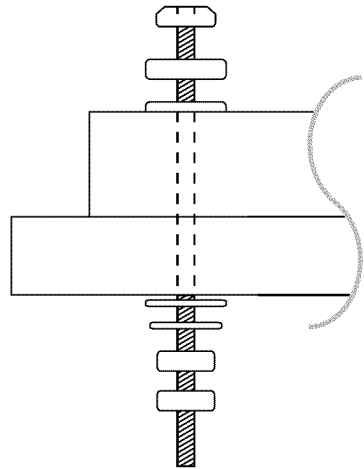
▲ WARNING

Ensure that the blade collars are clean and correctly positioned on the arbor. Lower the blade into the table and check for any contact with the table or table insert. If contact occurs see Cutting Head Travel page 25

MOUNTING THE MITER SAW

▲ WARNING

To reduce the risk of injury from unexpected saw movement, place the saw in the desired location either on a workbench or other suitable machine stand. The base of the saw has four mounting holes through which suitable bolts can be placed to secure the miter saw. If the saw is to be used in one location, permanently fasten it to the workbench using appropriate fasteners (not supplied). Locking washers and nuts should be used on the underside of the workbench. (Fig. K)



(Fig. K)

1. Tighten the miter and bevel locks. See **OPERATION** section.
2. To avoid injury from flying dust, position the saw so that other people or bystanders cannot stand too close (or behind) it.
3. Locate the saw on a firm, level surface where there is plenty of room for handling

and properly supporting the workpiece.

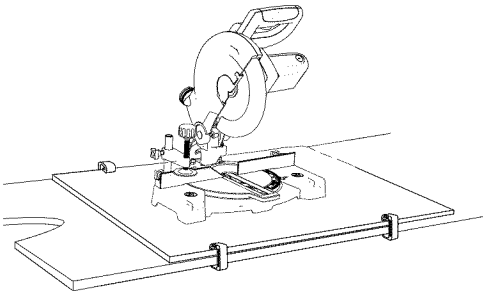
4. Support the saw so the machine table is level and the saw does not rock.

5. Bolt or clamp the saw securely to its support stand or workbench.

For portable use:

1. Mount the saw on a $\frac{3}{4}$ in. thick piece of plywood using appropriate fasteners (not supplied).
2. It may be necessary to countersink the washers, nuts etc to the underside of the plywood mounting board to avoid an uneven work surface.
3. Use 'C'- clamps to attach the mounting board to the work surface at the work site.

(Fig. L)



(Fig. L)

ADJUSTMENT INSTRUCTIONS

WARNING

To avoid injury from electric shock or from an accidental start, make sure the switch is in the OFF position and the plug is not connected to a power source outlet.

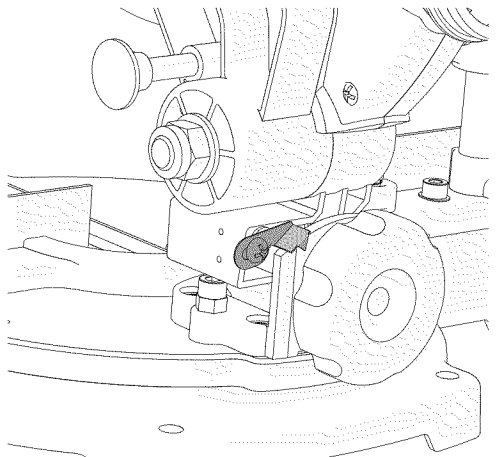
NOTE: When checking angular alignments the Cutting Head should be lowered and locked in the down position with the latching pin fully located in its socket.

Refer to 'Locking the Cutting Head in the down position' **page 18**

0° Bevel Stop Adjustment

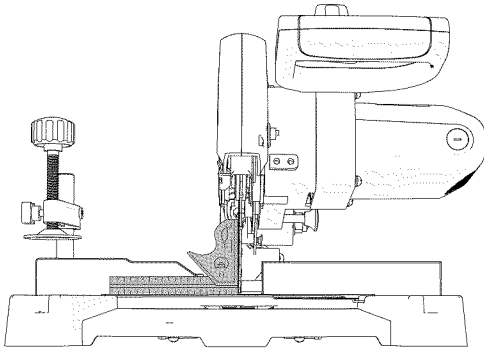
1. Ensure that the Cutting Head is upright against its stop and the Bevel Pointer is indicating '0°' on the scale.

(Fig. M)



(Fig. M)

2. Place a combination square on the miter table with the rule against the table and the heel of the square against the blade. **(Fig. N)**

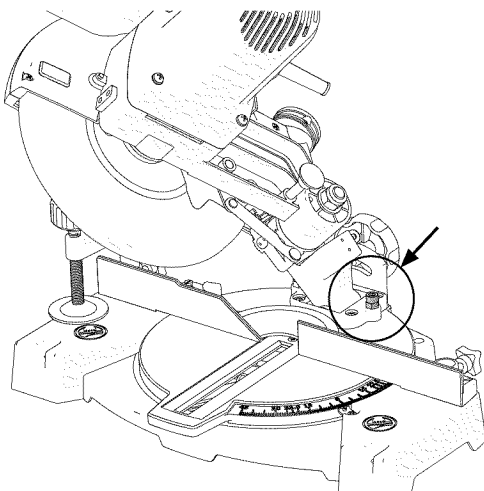


(Fig. N)

3. If the blade is not 90° square with the miter table, adjustment is required.

4. Loosen the Bevel Lock Handle and tilt the Cutting Head to the left.

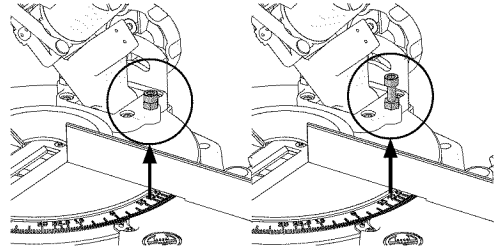
5. Loosen the locknut on the Bevel Angle Adjustment Screw. **(Fig. P)**



(Fig. P)

6. Use an Allen Key to turn the screw in or out to adjust the blade angle.

(Fig. P1 & P2)



(Fig. P1 & P2)

7. Return the Cutting Head to its upright position and recheck angular alignment against the combination square.

8. Repeat steps 1 to 7 until correct angular alignment is achieved.

9. Tighten the Bevel Angle Adjustment Screw locknut securely.

0° Bevel Pointer Adjustment

NOTE: The operator must be satisfied that the blade is exactly perpendicular to the table when in the upright position and against its stop.

1. If the pointer is not in exact alignment with the 0° mark on the protractor scale adjustment is necessary.

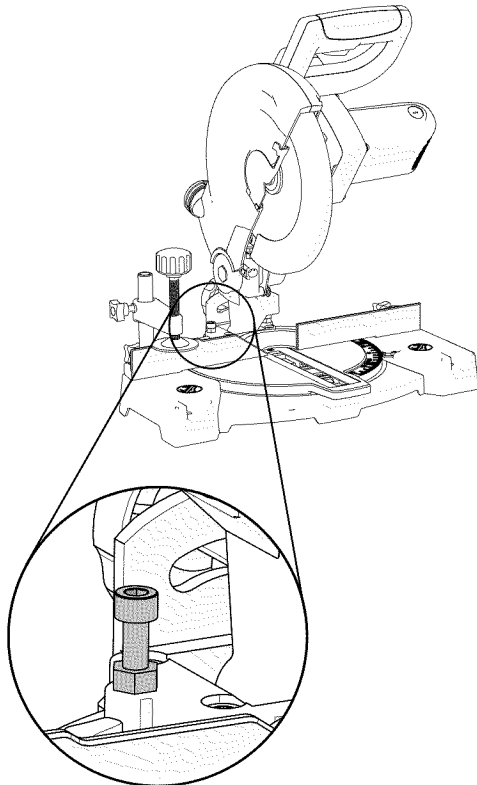
2. Loosen the Bevel Pointer screw using a #2 Phillips screwdriver.

3. Adjust the Bevel Pointer so that it is in alignment exactly with the 0° mark.

4. Retighten the screw.

45° Bevel Stop Adjustment

1. Loosen the Bevel Lock Handle and tilt the Cutting Head completely to the left until it rests against the 45° stop.
2. Use a combination square to see if the blade is at 45° to the table.
3. If the saw blade is not in exact alignment adjustment is necessary.
4. Return the Cutting Head to its upright position.
5. Loosen the locknut on the 45° Bevel Adjustment Screw.
6. Use an Allen Key to turn the Adjustment Screw in or out as required. **(Fig. Q)**



(Fig. Q)

7. Tilt the Cutting Head to the 45° setting and recheck for alignment with the combination square.
8. Repeat steps 1 to 7 until the correct angular alignment is achieved.
9. Tighten the Adjustment Screw locknut securely once alignment is achieved.

WARNING

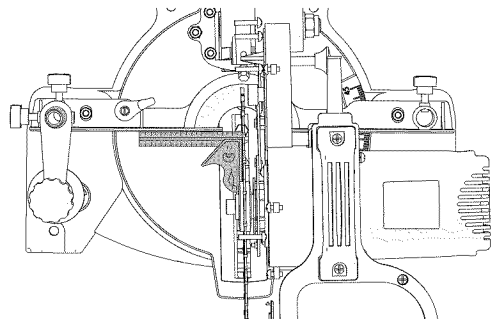
When all angular adjustments have been successfully completed, the procedure of the lower safety guard must be checked to ensure that it is working correctly. The saw must not be used if the lower safety guard is not operating correctly.

Fence Adjustment

The fence must be aligned at 90° (square) to a correctly installed blade. The rotary table must be set at '0°' miter angle.

The Fence is fastened to the table with two socket head Allen screws that are positioned one at either side in elongated slots.

1. Place a combination square on the table with the rule against the Fence and the heel against the Blade. **(Fig. R)**



(Fig. R)

2. If adjustment is necessary, loosen the two Fence adjustment screws using an Allen Key.
3. Re-position the Fence on its elongated slots until alignment is achieved.
4. Securely tighten the socket head screws.

3. Turn the adjusting screw in (clockwise) to increase the downward travel of the Cutting Head.

4. Tighten the adjustment screw locknut when satisfactory downward travel of the Cutting Head is achieved.

Miter Angle Pointer Adjustment

NOTE: There are dual miter angle scales cast into the rotary table to the right hand side of the blade. A small pointer indicates the angle selected.

If necessary the pointer can be repositioned by loosening its fastening screw using a #2 Phillips screwdriver.

Adjust as necessary, then securely tighten the fixing screw.

CUTTING HEAD TRAVEL

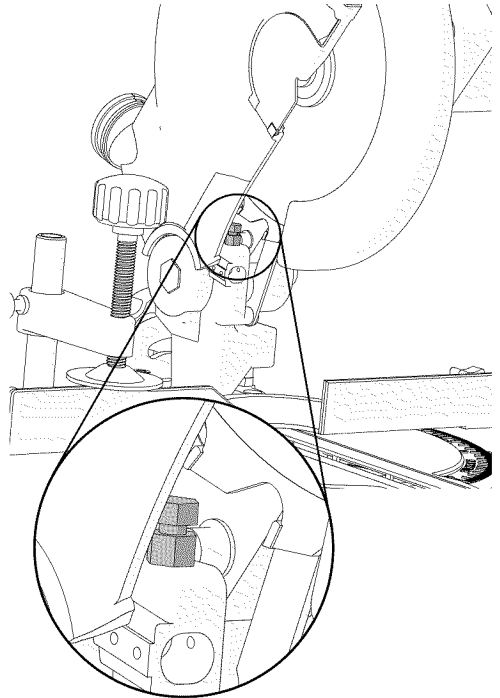
Cutting Head Downward Travel Adjustment (Fig. S)

To prevent the blade from contacting any part of the machines base, the downward travel of the Cutting Head can be adjusted.

Lower the Cutting Head and check for any blade contact with the machine base or table insert.

If the downward travel of the Cutting Head needs to be adjusted:

1. Loosen the locknut on the downward travel stop screw.
2. Turn the adjusting screw out (counterclockwise) to decrease the downward travel of the Cutting Head.



(Fig. S)

OPERATION

SAFETY INSTRUCTIONS FOR BASIC SAW OPERATION

BEFORE USING THE MITER SAW



To avoid mistakes that could cause serious, permanent injury, do not plug the tool in until the following steps are completed:

- Completely assemble and adjust the saw, following the instructions. **(ASSEMBLY AND ADJUSTMENTS)**
- Learn the use and function of the ON/OFF trigger switch, Lower Blade Guard Release Lever, Upper and Lower Blade Guards, Bevel Lock Handle and Cutting Head latching pin.
- Review and understand all safety instructions and operating procedures in this Operator's Manual.
- Review the **MAINTENANCE** and **TROUBLESHOOTING GUIDE** for your miter saw.
- To avoid injury or possible death from electrical shock:

Make sure that your fingers do not touch the plug's metal prongs when plugging in or unplugging your miter saw. **(ELECTRICAL REQUIREMENTS AND SAFETY)**

BEFORE EACH USE INSPECT YOUR SAW

- **Disconnect the miter saw.** To avoid injury from accidental starting, unplug the saw before any adjustments, including set-up and blade changes.
- **Compare the direction of rotation arrow** on the guard to the direction arrow on the blade. The blade teeth should always point downwards at the front of the saw.

- Tighten the arbor bolt.
- **Check for damaged parts.** Check for:
 - Cracks in the blade, and for broken, chipped or missing blade teeth.
 - Alignment of moving parts
 - Damaged power cords
 - Binding of moving parts
 - Mounting holes
 - Procedure of the Lower Blade Guard: Push the Cutting Head all the way down, and then let it rise to until it stops. The Lower Blade Guard should fully close enclosing the blade. Follow instructions in **TROUBLESHOOTING GUIDE** for adjustment if necessary.
 - Any other conditions which may affect the way your miter saw works.
- Keep all guards in place, in working order and proper adjustment. If any part of your miter saw is missing, bent, damaged or broken in any way, or any electrical parts do not work, turn the saw OFF and unplug it.
- Replace bent, damaged, missing or defective parts before using the saw again.
- Maintain tools with care. Keep the miter saw clean for best and safest performance. Follow instructions for lubricating. Do not put lubricants on the blade while it is spinning.
- Remove any adjusting tools from the saw before turning it ON.
- To avoid injury from jams, slips or thrown pieces, use only recommended accessories.
- Check the dust bag before you start work. Empty the bag if it is more than half-full.

AVAILABLE ACCESSORIES

- Consult the **ACCESSORIES** and **ATTACHMENTS** section of this Operator's Manual for the available accessories. Follow the instructions that come with the accessory. The use of improper accessories may cause risk of injury to persons.
- Choose the correct 8-1/4 in. diameter blade for the material and the type of cutting you plan to do. Do not use thin kerf blades.
- Make sure the blade is sharp, undamaged and properly installed. With the saw unplugged push the Cutting Head all the way down. Manually spin the blade and check for clearance. Tilt the Cutting Head to a 45° bevel angle and repeat the test.
- Make sure that blade and arbor collars are clean.
- Make sure all clamps and locking screws are tight and that there is no excessive play in any parts.

KEEP YOUR WORK AREA CLEAN



WARNING

Cluttered areas and benches invite accidents. To avoid burns or other fire damage, never use the miter saw near flammable liquids, vapors or gases.

- Plan ahead to protect your eyes, hands, face and ears.
- Know your miter saw. Read and understand this Operator's Manual and the labels affixed to the tool.

- Learn its application and limitations as well as the specific potential hazards peculiar to this tool. To avoid injury from accidental contact with moving parts, do not do lay out assembly or setup work on the miter saw while any parts are moving.
- To avoid accidental starting, make sure that the trigger switch is in the OFF position before plugging the miter saw into a power supply.

PLAN YOUR WORK

- Use the right tool. Do not force a tool or attachment to do a job it was not designed to do. Use a different tool for any workpiece that cannot be held in a solidly braced, fixed position.



CAUTION

This machine is not designed for cutting masonry products, products containing asbestos type materials or stainless steels. Use this miter saw to cut wood, wooden products, aluminium and mild steel and most hard plastics. Other materials may shatter, bind the blade, or create other hazards. Inspect the workpiece for any prohibited materials before you begin cutting. The multi-purpose blade will cut wood containing ordinary steel nails etc. Remove the dust bag when cutting metallic or part metallic materials.

DRESS FOR SAFETY



Any power tool can throw foreign objects into the eyes.

This can result in permanent eye damage. Everyday eyeglasses have only impact resistant lenses and are not safety glasses. Glasses or goggles not in compliance with ANSI Z87.1 could seriously injure you when they break.

- Do not wear loose clothing, gloves, neckties or jewelry (rings, watches etc). They can get caught and draw you into moving parts.
- Wear non-slip footwear.
- Tie back long hair.
- Roll long sleeves above the elbow.
- Noise levels vary widely. To avoid possible hearing damage, wear hearing protection when using any miter saw.
- For dusty procedures, wear a dust mask along with safety goggles.

INSPECT THE WORKPIECE

Check the workpiece and ensure that it does not contain prohibited materials such as masonry or asbestos. Plan the sequence of procedures you wish to perform to ensure that the workpiece is always securely clamped to the saw table. Avoid small pieces as they are difficult to clamp securely.

Avoid awkward procedures and hand positions where an inadvertent slip could cause your fingers or hand to move into the blade.



DO NOT OVER-REACH

To avoid serious blade cut injury, NEVER extend your arm or hand so that it is in the path of the blade.

Keep good footing and balance. Stand to one side so that your face and body are out of line of a possible kickback. NEVER extend your arm or hand so that it is “in-line” with the cutting path of the blade. **Freehand** cutting is a major cause of accidents and **should not be attempted**.

- Ensure that the workpiece is always firmly resting against the fence, and where practical is clamped with the hold down clamp to the table.
- The table should be clean and free from any sawdust etc. before the workpiece is clamped into position.
- Ensure that the ‘cut-off’ material is free to move sideways away from the blade when the cut is completed. Ensure that the ‘cut-off’ piece cannot become ‘jammed’ in any other part of the machine.
- Always secure the workpiece. Use hold down clamp(s) whenever practical.
- Do not use this saw to cut small pieces. If the workpiece being cut would cause your hand or fingers to be within 6-3/8 inch of the saw blade, the workpiece is too small.
- Keep hands and fingers out of the ‘no hands zone’ marked on the saw table by pictograms.

USE EXTRA CAUTION WITH LARGE OR ODD SHAPED WORKPIECES

- Use extra supports such as sawhorses or roller stands etc, adjusted so they are at the same height as the saw table, to prevent large workpieces from tipping or twisting when being cut.
- Never employ another person to hold or support a large or odd shaped workpiece, or to help feed the material into the saw.
- When cutting odd shaped workpieces, plan the sequence of procedures to ensure the chance of blade binding or kickback is minimized.
- Properly support round or tubular material so that it can be securely clamped to the saw table. Use a Hold Down clamp which is designed to hold such material.

WARNING

The dust collection bag should be removed from the machine when cutting metallic materials. Replace the dust collection bag when cutting wood or plastic materials.

WARNING

Do not allow familiarity from frequent use of your miter saw to result in a careless mistake. A careless fraction of a second is enough to cause a severe injury. Before cutting, if the saw makes an unfamiliar noise or vibrates, stop immediately. Turn the saw OFF. Unplug the saw. Do not restart procedures until any problem has been found and corrected.

WARNING

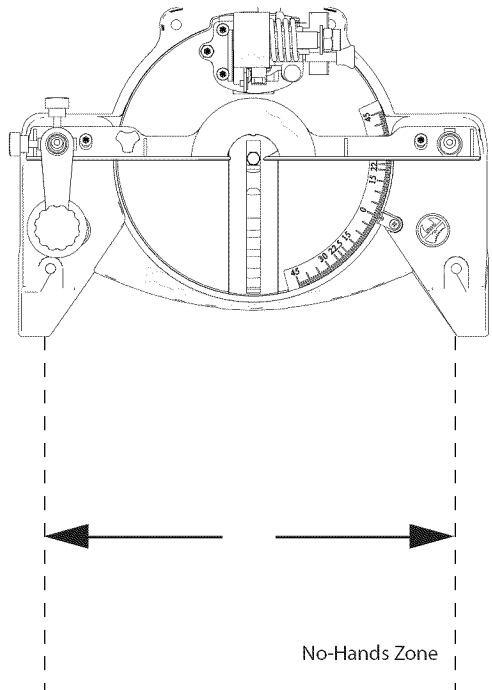
BODY AND HAND POSITION (Fig. T)



Never place your hands near or within the 'no hands zone'.

Pictograms are incorporated into the machine base (see below) to remind the operator to employ good working practises. Stand to one side of the blade.

Do not force the saw. Allow the speed of the blade to do the work.



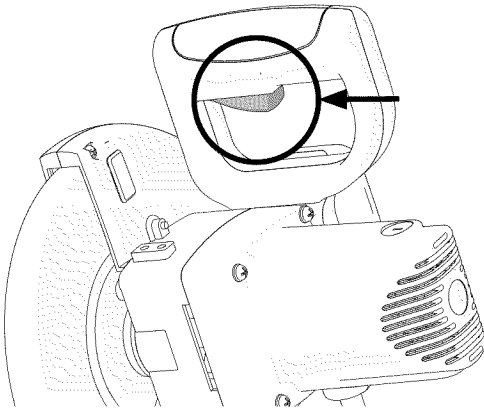
(Fig. T)

LOWER BLADE GUARD

NOTE: Lower blade guard operation is automatic. The blade guard will deploy and completely cover the blade as the Cutting Head is allowed to rise to its upper position.

ON/OFF Trigger Switch (Fig. U)

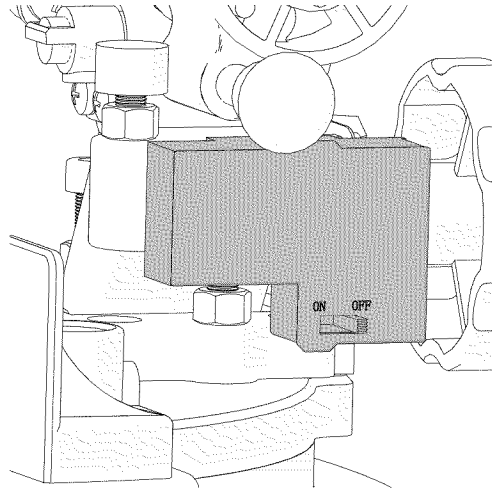
The ON/OFF Trigger Switch is located in the Cutting Head Handle. It is a non-latching type. Squeeze the trigger switch to start the machine motor. Release the switch to turn OFF the power to the motor.



(Fig. U)
THE LASER GUIDE

Your saw is equipped with a Laser cutting guide using a Class II laser beam. The laser beam enables the operator to preview the path of the saw blade on the stock to be cut before starting the saw. This laser guide is powered by two 'AAA' batteries located in the battery box positioned to the Right Hand side of the neck just below the chop pivot. To turn the LASER 'On' and 'Off' use the rocker switch found on the battery box.

(Fig. V)



(Fig. V)

NOTE: All adjustments for the operation of the laser guide have been completed at the factory.

If you have any problems or questions regarding the laser guide, call the Sears Service Center.

▲ WARNING

Laser is radiated when the laser guide is turned on. Avoid direct eye contact into the laser beam. Always unplug the saw from the power source before making any adjustments.

Laser Warning Label:

Max output <math><1\text{mW}</math> 630-670nm.

Complies with 21CFR 1040.10 and 1040.11.

- The use of optical instruments with this laser could increase the eye risk hazard.
- Do not attempt to repair or disassemble the laser. Entrust any repairs required to a Sears Service Center.
- Use the Laser only as specified in this Instruction Manual. Use of the laser in any way not specified in this Instruction Manual could result in hazardous radiation exposure.
- Release the trigger switch and allow the blade to come to a complete halt.
- Raise the Cutting Head to its upper position with the guard covering the blade, before removing your hand from the Cutting Head Handle.
- Only remove the workpiece when the Cutting Head is in the upper position with the blade guard covering the blade and the motor stopped.



MAKING A BASIC CUT



Ensure that the workpiece is securely clamped to the saw table and against the fence and in the required position, before plugging the saw into a power source. Cut only one piece at a time.

- With the power 'OFF' lower the blade to the workpiece to observe the path of the blade.
- Also switch on the laser to preview the path of the blade.
- With the Cutting Head in its upper position, squeeze the trigger switch to start the motor.
- Allow the blade to run up to full speed.
- Gently lower the Cutting Head to its lowest position cutting through the



Never leave the saw unattended and plugged into a power source. Make the workshop childproof, and always lock the workshop when not in use. Store the tool in a secure, locked cupboard or similar with no access for unqualified users or children.

MAKING A MITER CUT

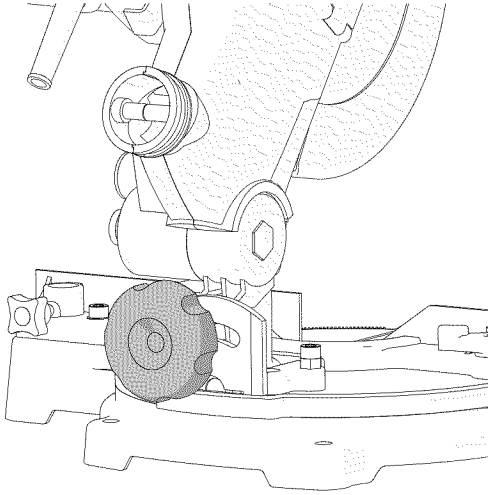
Any angle from 45° left to 45° right is available, and a protractor scale can be found on the Right Hand side of the machine table.

- Loosen the miter angle locking screw. This is situated on the Left Hand side of the machine table just behind the table fence. (Fig. W)

MAKING A BEVEL CUT (Fig. X)

The Cutting Head can be set at any angle up to a 45° to the Left Hand side only.

The Bevel Angle Lock Handle is found at the rear of the machine.



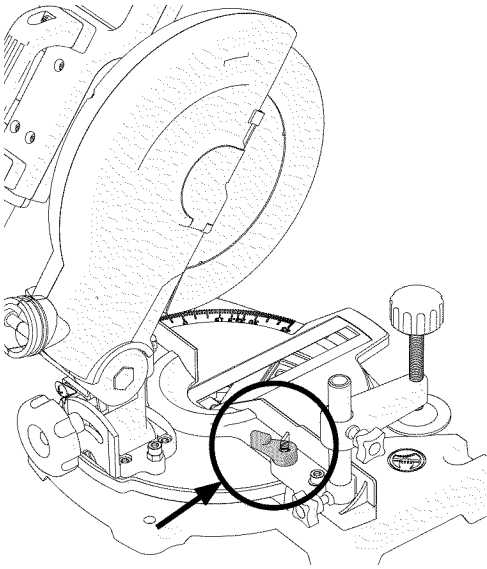
(Fig. X)

- Loosen the Bevel Lock Handle
- Tilt the Cutting Head to the desired angle. A protractor guide is provided behind the Bevel Lock Handle to aid setting.
- Ensure the handle is tightened securely when the required angle has been achieved.

Proceed to make the cut as previously described in MAKING A BASIC CUT.

MAKING A COMPOUND CUT (Fig. Y)

A compound cut is a combination of a miter and bevel cut.



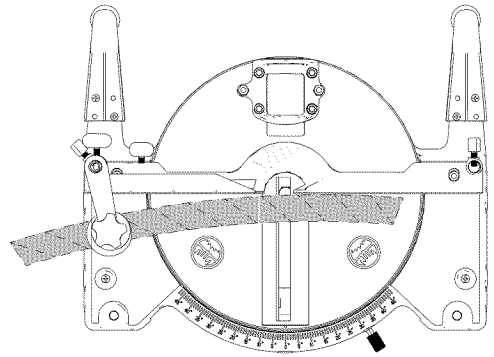
(Fig. W)

NOTE: The miter angle locking screw has an adjustable spring loaded lever. This enables the lever to be repositioned on the locking screw. Repositioning may be necessary to allow the screw to be tightened sufficiently when a miter angle is set.

To reposition, lift up the lever and turn to a convenient angle. Release the lever.

- Turn the table to the desired angle as indicated on the miter protractor scale.
- Lock the table into position using the locking screw.
- Start the saw and allow to reach full operating speed before making the cut. Proceed to make the cut as previously described in MAKING A BASIC CUT.

- Select the required miter angle as previously described in MAKING A MITER CUT.
- Select the required bevel angle as previously described in MAKING A BEVEL CUT.
- Ensure the tightness of all adjustment/locking screws before making a cut.



(Fig. Z)

FREEING JAMMED MATERIAL

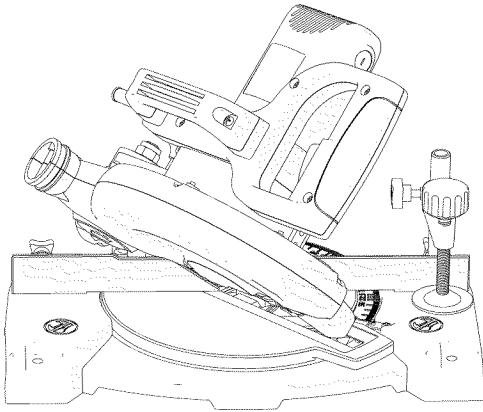
- Release the trigger switch and allow the blade to come to a stop.
- Unplug the miter saw.
- Remove the jammed material.
- Check the operation of the safety guard.

CUTTING CERAMIC TILES

NOTE: This Craftsman CMS, can with operator care, cut most non-glazed ceramic tiles. The normal blade will need to be changed for a 8 1/4 in specialist Diamond tile cutting blade.

Mark the cut to be made on the tile using a suitable tile scribe, and cut along the waste side of this line.

Take all necessary precautions to manage any dust hazard created when cutting.



(Fig. Y)

CUTTING BOWED MATERIAL

Before cutting any workpiece, check to see if it is bowed. If it is bowed the workpiece must be positioned and cut as shown. (Fig. Z)

Do not position the workpiece incorrectly or cut the workpiece without the support of the fence.

MAINTENANCE

⚠ DANGER

To avoid injury, never put lubricants on the blade while it is spinning.

⚠ WARNING

- To avoid fire or toxic reaction, never use gasoline, naphtha, acetone, lacquer thinner or other similar highly volatile solvents to clean the miter saw.
- To avoid injury from unexpected starting or electrical shock, unplug the power cord before working on the saw.
- For your safety, this saw is double-insulated. To avoid electrical shock, fire or injury use only parts identical to those identified in the schematic diagram.

CHECKING AND REPLACING CARBON BRUSHES (Fig. AA)

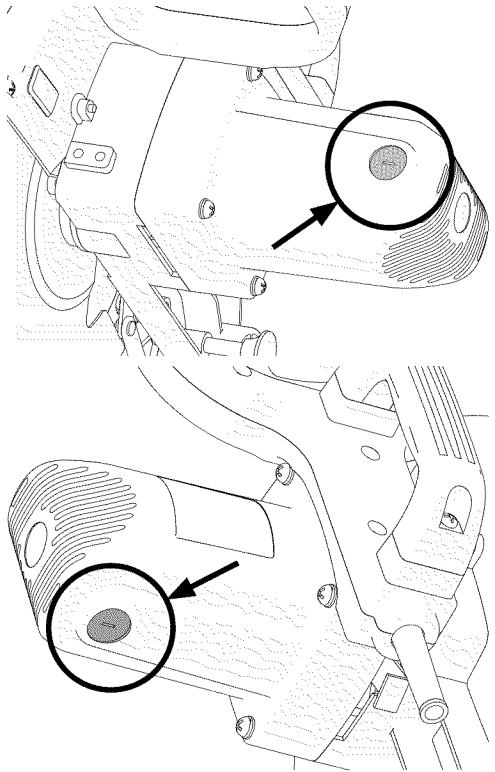
Replace both carbon brushes if either has less than ¼ in. length of carbon remaining, or if the spring or wire is damaged or burned.

To remove the brushes:

- Unscrew the plastic caps found at the back of the motor. Be careful as the caps are spring-loaded.
- Withdraw the brushes with their springs.
- If replacement is necessary insert new brushes and replace the caps.

NOTE: Used but serviceable brushes can be replaced, but only as long as they are returned to the same position, and inserted the same way round, as they were removed from the machine.

- Run new brushes without load for approximately 5 minutes. This will help the break-in process.



(Fig. AA) Diagrams show top and bottom brush caps.

LOWER BLADE GUARD

WARNING

Do not use the saw if the Lower Blade Guard is damaged or not operating correctly. A damaged or non-functioning guard must be replaced before the saw is used. A replacement guard must be tested for efficient and safe procedure with the machine disconnected from the power source. The guard operates automatically as the Cutting Head is raised or lowered.

The guard operating arm retaining screw and pivot should be lubricated occasionally with light machine oil. Check that the retaining screw is securely tightened, especially after a blade change.

Refer to **INSTALLING OR REMOVING THE BLADE** section page 19.

DUST COLLECTION BAG

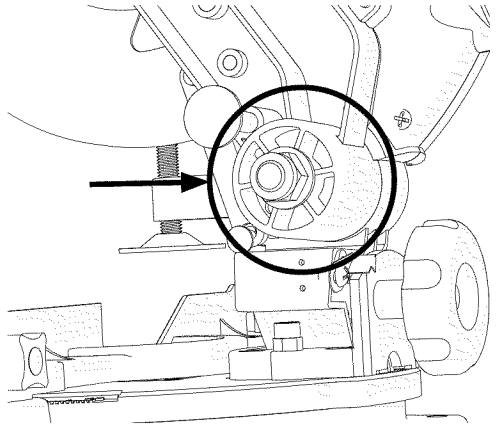
To maintain extraction efficiency empty the Dust Collection Bag when it becomes approximately 2/3 full. Dispose of the contents in an environmentally responsible manner. The bag has a side zip opening. Do not use the bag when cutting metallic materials.

LUBRICATION

All motor bearings in this tool are lubricated with a sufficient amount of high grade lubricant for the life of the unit under normal operating conditions. No further lubrication is required.

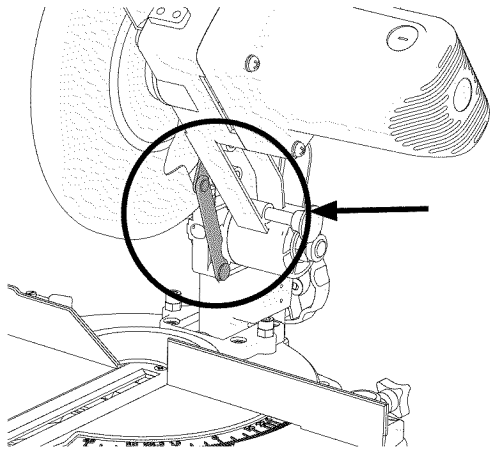
Lubricate the following as necessary:

Chop pivot (Fig. BB): Apply light machine oil to the pivot bolt.



(Fig. BB)

Lower Guard Operating Arm (Fig. CC): Apply light machine oil to the retaining screw and pivot connection point of the operating arm.



(Fig. CC)

TROUBLESHOOTING GUIDE

WARNING

To avoid injury from accidental starting, always turn switch OFF and unplug the machine before attempting any maintenance or carrying out any adjustments to your miter saw.

TROUBLESHOOTING GUIDE - MOTOR

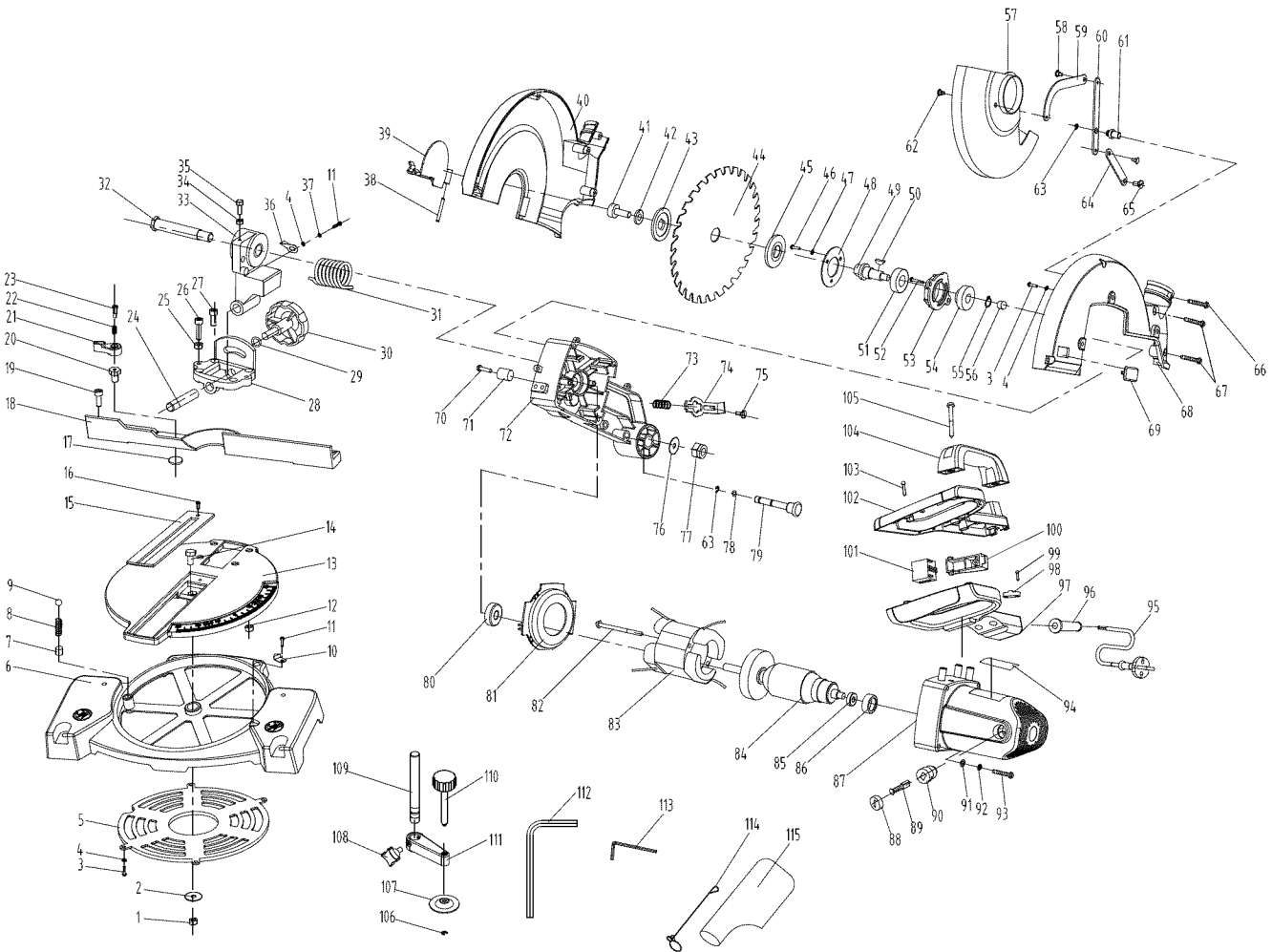
MOTOR DOES NOT START.	<ol style="list-style-type: none">1. FUSE BLOWN OR CIRCUIT BREAKER TRIPPED ON HOME PANEL.2. WORN MOTOR BRUSHES.	<ol style="list-style-type: none">1. VERIFY THERE IS ELECTRICAL POWER AT THE POWER OUTLET. <p>REPLACE BRUSHES. See MAINTENANCE section</p>
BRUSH SPARK WHEN SWITCH IS RELEASED.	<ol style="list-style-type: none">1. WORN BRUSHES.2. OTHER.	<ol style="list-style-type: none">1. REPLACE BRUSHES. See MAINTENANCE section2. CONTACT SEARS SERVICE CENTER.

TROUBLESHOOTING GUIDE - SAW OPERATION

PROBLEM	PROBLEM CAUSE	SUGGESTED CORRECTIVE ACTION
Blade hits the table or table insert.	1. INCORRECTLY INSTALLED BLADE.	1. CHECK BLADE INSTALLATION. SEE INSTALLING OR REMOVING A BLADE SECTION.
Cutting head wobbles.	1. LOOSE PIVOT BOLT.	1. CONTACT SEARS SERVICE CENTER.
Cutting Head will not fully raise, or the blade guard fully close.	1. DEFECTIVE, DAMAGED OR BROKEN PIVOT SPRING. 2. DEBRIS BUILD-UP.	1. CONTACT SEARS SERVICE CENTER. 2. CLEAN DEBRIS AND LUBRICATE GUARD OPERATING ARM PIVOTS. SEE MAINTENANCE SECTION.
Blade binds, jams or burns workpiece.	1. DULL, DAMAGED OR WARPED BLADE. 2. WRONG BLADE FITTED. 3. INCORRECT OPERATION.. 4. WORKPIECE NOT SECURE.	1. REPLACE THE BLADE. SEE INSTALLING OR REMOVING A BLADE SECTION. 2. AS ABOVE. 3. SEE BASIC SAW OPERATIONS SECTION. 4. SECURE THE WORKPIECE TO THE TABLE AND FENCE WITH A HOLD DOWN CLAMP OR SIMILAR.
Excessive vibration.	1. SAW BLADE DAMAGED, LOOSE OR NOT BALANCED. 2. ARBOR BOLT LOOSE.	1. REPLACE THE BLADE. SEE INSTALLING OR REMOVING A BLADE SECTION. 2. TIGHTEN THE ARBOUR BOLT. SEE ABOVE.

PARTS LIST

CRAFTSMAN 8-1/4 in. COMPOUND MITER SAW Model No. 126.32565



PARTS LIST

CRAFTSMAN 8-1/4 in. COMPOUND MITER SAW Model No. 126.32565

	031-0001 Machine Assembly	1	37	031-4004 Spring washer 4mm	1
	031-0011 Base Full Assembly	1	38	031-0309 Spring dowel	1
	031-0022 Rotate Table Ass	1	39	031-0308 Arbor bolt cover	1
	031-0033 Head Assembly	1	40	031-0302 Left Blade guard	1
	031-0044 Gear Assembly	1	41	031-9816 Bolt M8X16mm	1
	031-0055 Motor Assembly	1	42	031-2108 Washer 8mm	1
	031-0066 Handle Assembly	1	43	031-0307 Outer flange	1
	031-0077 Work Piece Clamp	1	44	031-0306 Saw blade	1
1	031-1006 Locknut M6mm	1	45	031-0305 Inner flange	1
2	031-2006 Washer 6mm	1	46	031-9410 Screw M4X10mm	3
3	031-3408 Screw M4X8mm	7	47	031-0304 Tooth washer	3
4	031-2004 Washer 4mm	8	48	031-0303 Bearing cover	1
5	031-0101 Base under guard	1	49	031-0401 Arbor Shaft	1
6	031-0100 Base	1	50	031-0402 Semi-circle key	1
7	031-3101 Screw M10X10mm	1	51	031-6002 Bearing 6002-2Z	1
8	031-0107 Spring	1	52	031-3516 Screw M5X16mm	2
9	031-0108 Ball bearing	1	53	031-0400 Gear box cover	1
10	031-0109 Indicator Arrow	1	54	031-0403 Gear	1
11	031-3410 Screw M4X10mm	2	55	031-0404 Circlip	1
12	031-1106 Nut M6mm	4	56	031-8121 Bearing	1
13	031-0200 Saw table	1	57	031-0310 Moveable Guard	1
14	031-6625 Bolt M6X25mm	1	57 a	031-0310_01 Left guard	1
15	031-0203 Blade Throat	1	57 b	031-0310_02 Right guard	1
16	031-3406 Screw M4X6mm	1	58	031-0314 Rivet 1	2
17	031-0110 Cushion/clamp	1	59	031-0313 Linkage C	1
18	031-0102 Fence	1	60	031-0312 Linkage B	1
19	031-3625 Screw M6X25mm	2	61	031-0315 Screw M8X10mm	1
20	031-0103 Screw	1	62	031-0316 Rivet 2	1
21	031-0104 Mitre Locking knob	1	63	031-0317 Circlip 6mm	2
22	031-0105 Spring	1	64	031-0311 Linkage A	1
23	031-0106 Screw	1	65	031-0318 Screw	1
24	031-0204 Spindle	1	66	031-3420 Screw M4X20mm	3
25	031-1206 Nut 6mm	2	67	031-3416 Screw M4x16mm	2
26	031-3616 Screw M6x16mm	2	68	031-0301 Right Blade guard	1
27	031-3612 Screw M6X12mm	4	69	031-0319 Cover	1
28	031-0201 Bevel bracket	1	70	031-0321 Screw	1
29	031-2008 Washer 8mm	1	71	031-0320 Rubber ring	1
30	031-0205 Locking knob	1	72	031-0300 Gear housing	1
30 a	031-0205_01 Locking wheel	1	73	031-0322 Spring	1
30 b	031-0205_02 Locking bolt	1	74	031-0323 Arbor lock	1
31	031-0206 Spring	1	75	031-0324 Screw M4X10.5mm	2
32	031-0207 Pivot pin axle	1	76	031-2012 Washer 12mm	1
33	031-0202 Neck	1	77	031-1012 Locknut M12mm	1
34	031-1205 Nut M5mm	1	78	031-0326 O-ring 4.5X18mm	1
35	031-6516 Screw M5X16mm	1	79	031-0325 Hold down shaft	1
36	031-0208 Angle indicator	1	80	031-6200 Bearing	1

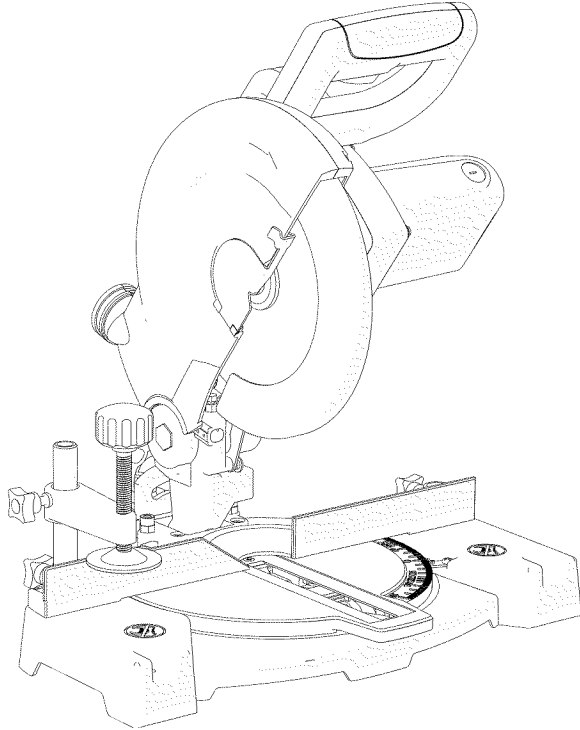
PARTS LIST

CRAFTSMAN 8-1/4 in. COMPOUND MITER SAW Model No. 126.32565

81	031-0504 Air Baffle	1
82	031-4270 Screw ST4.2X70mm	2
83	031-0501 Stator	1
84	031-0503 Rotor	1
85	031-6080 Bearing 608-2Zmm	1
86	031-0502 Bearing cover	1
87	031-0500 Motor Housing	1
88	031-0507 Brush cover	2
89	031-0506 Carbon brush	2
90	031-0505 Brush holder	2
91	031-2005 Washer 5mm	4
92	031-4005 Spring washer 5mm	4
93	031-3545 Screw M5X45mm	4
94	031-0508 Label	1
95	031-0603 Cable	1
96	031-0604 Cable clip	1
97	031-0600 Lower Main Handle	1
98	031-0605 Cable grip	1
99	031-4214 Screw ST4.2X14mm	2
100	031-0606 Trigger	1
101	031-0607 Switch	1
102	031-0601 Upper Main Handle	1
103	031-4218 Screw ST4.2X18mm	6
104	031-0602 Top Handle	1
105	031-4860 Screw ST4.8X60mm	2
106	031-0702 Circlip	1
107	031-0703 Clamp foot	1
108	031-0704 Screw M6X16	3
108 a	031-0704_01 Knob	3
108 b	031-0704_02 Bolt	3
109	031-0705 Clamp post	1
110	031-0701 Knob	1
110 a	031-0701_02 Screw bolt	1
111	031-0700 Clamp arm	1
112	031-0800 Allen Key	1
113	031-0801 Allen Key	1
114	031-0802 Dust bag holder	1
115	031-0803 Dust collecting bag	1
116	031-0805 Battery comp	1
117	031-0806 Battery comp lid	1
118	031-0807 AA Cell	2
119	031-0808 Laser generator	1



**SIERRA INGLETADORA COMPUESTA DE 8-1/4”
MODELO N° 126.32565**



PRECAUCIÓN:

Antes de utilizar la sierra ingletadora, lea este manual y siga todas las normas de seguridad e instrucciones de funcionamiento.

- Instrucciones de seguridad
- Instalación
- Funcionamiento
- Mantenimiento
- Solución de problemas

Sears Brands Management Corporation, Hoffman Estates, IL 60179, EE.UU.

Visite el sitio Web de Craftsman: www.craftsman.com

N° de pieza: 3848236

ÍNDICE

SECCIÓN	PÁGINA
Garantía.....	42
Especificaciones del producto	43
Símbolos.....	44
Seguridad en el manejo de herramientas eléctricas.....	45
Seguridad en el manejo de la sierra ingletadora compuesta de bisel doble.....	48
Requisitos eléctricos y de seguridad.....	50
Accesorios y acoplamientos.....	52
Herramientas necesarias para el montaje.....	53
Contenido de la caja.....	56
Conozca su sierra ingletadora compuesta de bisel doble.....	54
Glosario de términos	57
Montaje y ajustes.....	59
Funcionamiento.....	69
Mantenimiento.....	78
Guía para la solución de problemas.....	80
Lista de piezas.....	82

GARANTÍA

GRANTÍA COMPLETA DE UN AÑO DE CRAFTSMAN

DURANTE UN AÑO desde la fecha de compra, este producto está garantizado contra defectos de materiales o de fabricación. Todo producto defectuoso será reparado sin cargo alguno o sustituido en caso de que no pueda ser reparado. Para obtener información detallada sobre la cobertura de la garantía para la reparación o sustitución gratuitas de un producto,

visite el sitio Web: www.craftsman.com

Esta garantía no cubre la hoja ya que se trata de una pieza fungible que se puede desgastar durante su uso normal dentro del período de garantía. Esta garantía quedará anulada si el producto se utiliza con fines comerciales o si se alquila a cualquier otra persona. Esta garantía le otorga derechos jurídicos específicos, y podría gozar también de otros derechos que varían de un estado a otro.

Sears Brands Management Corporation, Hoffman Estates, IL 60179



ADVERTENCIA

El polvo que se genera durante la utilización de herramientas eléctricas contiene sustancias químicas que el estado de California reconoce como causantes de cáncer, malformaciones congénitas u otros daños reproductivos. Algunos ejemplos de estas sustancias químicas son:

- Plomo de las pinturas a base de plomo
- Sílice cristalina de ladrillos, cemento y otros materiales de albañilería
- Arsénico y cromo de las maderas tratadas con productos químicos

El riesgo resultante de la exposición a estas sustancias, depende de la frecuencia con la que realiza este tipo de trabajo. Para reducir la exposición a estas sustancias químicas, trabaje en un lugar bien ventilado y con los equipos de seguridad aprobados tales como mascarillas contra el polvo especialmente diseñadas para filtrar partículas microscópicas.

ESPECIFICACIONES DEL PRODUCTO

MOTOR

Fuente de alimentación.....120V, 60Hz, 10A
Velocidad.....4000RPM (sin carga)
Aislamiento doble.....Si

TAMAÑO DE LA HOJA

Diámetro.....8-1/4"
Tamaño del árbol.....1"
Tipo de hoja.....TCT (puntas de carburo de tungsteno) para múltiples usos

MESA GIRATORIA

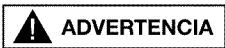
Diámetro.....9"

CAPACIDAD DE CORTE

Chapa de acero suave.....Espesor máx. 1/4"
Sección rectangular de acero suave.....Espesor máx. de la pared 1/8"

Madera

A 90°Sección máx. 2" x 4"
A 45°Sección máx. 2" x 2-7/8"
A bisel compuesto (450 x 450).....Sección máx. 1-1/2" x 2-7/8"



Para evitar peligros por descargas eléctricas, incendios o daños a la herramienta, utilice una protección contra cortocircuitos adecuada.

Esta herramienta ha sido cableada en fábrica para funcionar a 110-120 voltios. Debe conectarse a un fusible de retardo o a un disyuntor de 110-120 voltios / 15 amperios. Para evitar descargas eléctricas o incendios, sustituya de inmediato el cable de alimentación si viera que está desgastado, cortado o dañado de cualquier modo.

Antes de utilizar la herramienta, es imprescindible que lea y comprenda estas normas de seguridad. El incumplimiento de estas normas podría causarle graves lesiones o dañar la herramienta.

SÍMBOLOS

ICONOS DE ADVERTENCIA

En la herramienta eléctrica o en el Manual del operador correspondiente, puede haber "ICONOS DE ADVERTENCIA" (símbolos para avisarle y/o indicarle cómo evitar una situación potencialmente peligrosa).

Comprender estos símbolos le ayudará a utilizar la herramienta mejor y con más seguridad. Abajo se muestran algunos de los símbolos que puede encontrar:



ALERTA DE SEGURIDAD: Precautions that involve your safety.



PROHIBICIÓN



UTILICE PROTECCIÓN PARA LOS OJOS:

Utilice siempre gafas o anteojos de seguridad con protectores laterales.



LEA Y COMPRENDA EL MANUAL DEL OPERADOR:

para reducir el riesgo de lesiones, el usuario y todos los transeúntes deben leer y comprender el manual del operador antes de utilizar este producto.



MANTENGA LAS MANOS ALEJADAS DE LA HOJA:

si no mantiene las manos alejadas de la hoja sufrirá graves lesiones personales.



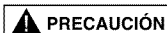
APOYE LA PIEZA DE TRABAJO Y ASEGÚRELA CON ABRAZADERAS



PELIGRO: indica una situación de peligro inminente que, si no se evita, causará graves lesiones e incluso la muerte



ADVERTENCIA: indica una situación potencialmente peligrosa que, si no se evita, puede causar graves lesiones e incluso la muerte.



PRECAUCIÓN: indica una situación potencialmente peligrosa que, si no se evita, puede causar lesiones leves o moderadas.



PRECAUCIÓN: cuando se utiliza sin el símbolo de alerta de seguridad, indica una situación potencialmente peligrosa que, si no se evita, puede causar daños materiales.

INSTRUCCIONES GENERALES DE SEGURIDAD ANTES DE UTILIZAR ESTA HERRAMIENTA ELÉCTRICA


La seguridad es una combinación de sentido común, precaución y conocimiento del uso de la herramienta eléctrica.



ADVERTENCIA

To avoid mistakes that could cause serious injury, do not plug the tool in until you have read and understood the following.

Para evitar errores que podrían ocasionarle graves lesiones, no enchufe la herramienta hasta que no haya leído y comprendido lo siguiente.

1.  **LEA** y familiarícese con todo el Manual del operador. **APRENDA** todo lo relacionado con la utilización, las limitaciones y los posibles peligros de la herramienta.

2. **MANTENGA LOS PROTECTORES EN SU LUGAR CORRESPONDIENTE** y en perfecto estado de funcionamiento.

3. **RETIRE LAS LLAVES DE AJUSTE Y LAS LLAVES INGLESAS.** Acostúmbrase a comprobar si se han retirado las llaves y las llaves inglesas de ajuste de la herramienta antes de poner el interruptor en la posición de ENCENDIDO.

4. **MANTENGA LIMPIA EL ÁREA DE TRABAJO.** Las zonas y los bancos de trabajo desordenados facilitan los accidentes.

5. **NO UTILICE LA HERRAMIENTA EN ENTORNOS PELIGROSOS.** No utilice las herramientas eléctricas en lugares húmedos, ni las exponga a la lluvia o a la nieve. Mantenga el área de trabajo bien iluminada.

6. **MANTENGA A LOS NIÑOS ALEJADOS.** Todos los visitantes y transeúntes deben permanecer a una distancia segura del área de trabajo.

7. **MANTENGA EL TALLER A PRUEBA DE NIÑOS** con candados, interruptores maestros o quitando las llaves de puesta en marcha.

8. **NO FUERCE LA HERRAMIENTA.** De esta manera realizará el trabajo mejor, con más seguridad y a la velocidad para la cual ha sido diseñada la herramienta.


9. **UTILICE LA HERRAMIENTA CORRECTA.** No fuerce la herramienta ni ninguno de los acoplamientos a realizar trabajos para los cuales no han sido diseñados.

10. **UTILICE LOS CABLES PROLONGADORES CORRECTOS.** Asegúrese de que el cable prolongador esté en buen estado. Si utiliza un cable prolongador, asegúrese de utilizar uno con un grosor suficiente para proporcionar la corriente que el producto necesita. Un cable de menor medida provocará una caída en la tensión de la línea y una pérdida de potencia que harán que la herramienta se sobrecaliente. En la tabla de la página 10 se muestra la medida correcta a utilizar en función de la longitud del cable y del

amperaje indicado en la placa de identificación. En caso de duda, utilice el calibre mayor más próximo. Cuanto menor sea el calibre, mayor deberá ser el grosor del cable.

11. **UTILICE LA VESTIMENTA ADECUADA.**

No utilice ropa suelta, guantes, corbatas, anillos, brazaletes ni ningún otro tipo de alhajas que puedan quedarse atrapadas en las piezas móviles. Se recomienda utilizar calzado antideslizante. Lleve una malla de protección para cubrir y recoger el pelo largo.


12.  **UTILICE SIEMPRE PROTECCIÓN PARA LOS OJOS:** Toda herramienta eléctrica puede lanzar objetos extraños que pueden introducirse en los ojos y ocasionar un daño permanente en los mismos.

Utilice SIEMPRE gafas de seguridad (no gafas comunes) conformes a la norma de seguridad ANSI Z87.1. Las gafas de uso diario sólo tienen lentes resistentes a los golpes.

NO SON gafas de seguridad. Sears vende gafas de seguridad.

NOTA: Las gafas o lentes que no cumplen la ANSI Z87.1 pueden ocasionarle graves lesiones si se rompen.

13. **UTILICE UNA MÁSCARA FACIAL O MASCARILLA CONTRA EL POLVO.** Las operaciones realizadas con sierras pueden generar polvo.

14.  **REALICE UN TRABAJO SEGURO.** Utilice prensas o un tornillo de banco para

sujetar la pieza siempre que pueda. Es más seguro que utilizar la mano y las deja las dos manos libres para manejar la herramienta.

15. **DESCONECTE LAS HERRAMIENTAS DE LA FUENTE DE ALIMENTACIÓN** antes de su mantenimiento y al cambiar los accesorios tales como las hojas, brocas y cuchillas.

16. **REDUZCA EL PELIGRO DE UNA PUESTA EN MARCHA ACCIDENTAL.**

Asegúrese de que el interruptor esté en la posición de APAGADO antes de enchufar la herramienta.

17. **UTILICE LOS ACCESORIOS RECOMENDADOS.**

Consulte los accesorios recomendados en este Manual del operador. El uso de accesorios inadecuados puede implicar riesgos de lesiones tanto para usted como para otras personas.

18. **NUNCA SE APOYE ENCIMA DE LA HERRAMIENTA.** Si toca accidentalmente la herramienta de corte puede sufrir graves lesiones.

19. **COMPRUEBE QUE NO HAYA PIEZAS DAÑADAS.** Antes de seguir utilizando la herramienta, debe comprobar cuidadosamente si los protectores o cualquier otra pieza están dañados para determinar si seguirán funcionando correctamente y llevando a cabo su función prevista; compruebe la alineación y el acoplamiento de las piezas móviles, el montaje y cualquier otra condición que pudiera afectar su funcionamiento. Los protectores o cualquier otra pieza dañada deberán repararse o reemplazarse debidamente.

20. NUNCA DEJE DESATENDIDA LA HERRAMIENTA EN FUNCIONAMIENTO. PONGA EL INTERRUPTOR EN LA POSICIÓN “APAGADO”. No se aleje nunca dejando una herramienta en funcionamiento hasta que no se haya parado la hoja por completo y la herramienta se haya desenchufado de la fuente de alimentación.

21. NO FUERCE LA POSTURA. Mantenga los pies bien colocados y el equilibrio en todo momento. NO ponga nunca la mano o el brazo en la trayectoria de la hoja de corte.

22. MANTENGA LAS HERRAMIENTAS CON CUIDADO. Mantenga las herramientas afiladas y limpias para un funcionamiento mejor y más seguro. Siga las instrucciones de lubricación y reemplazo de los accesorios.

23. ADVERTENCIA: El polvo generado por ciertos materiales puede ser nocivo para su salud. Utilice siempre la sierra en lugares bien ventilados y disponga medios para la eliminación correcta del polvo.



24. Las personas con dispositivos electrónicos, tales como marcapasos, deben consultar al médico antes de utilizar este producto. El funcionamiento del equipo eléctrico cerca de un marcapasos puede causar interferencias o fallos en el marcapasos.

INSTRUCCIONES DE SEGURIDAD ESPECÍFICAS PARA ESTA SIERRA INGLETADORA COMPUESTA

1. **NO UTILICE HOJAS CON UN ANCHO DE CORTE FINO** ya que pueden doblarse y entrar en contacto con el protector y causar lesiones al operador.

2. **NO** ponga en funcionamiento la sierra ingletadora hasta que no haya quedado montada por completo e instalada según estas instrucciones.

3. **SI NO ESTÁ** completamente familiarizado con el funcionamiento de las sierras ingletadoras, pida ayuda a su supervisor, instructor o cualquier otra persona cualificada.

4. **SIEMPRE** sujete la pieza de trabajo firmemente contra la guía y sobre la mesa. **NO** realice ninguna operación a pulso. Utilice una prensa para asegurar la pieza de trabajo siempre que sea posible.

5. **MANTENGA LAS MANOS** fuera de la trayectoria de la hoja de la sierra.

Si la pieza de trabajo que está cortando hace que sus manos queden a una distancia menor de 20,32 cm de la hoja de sierra, la pieza de trabajo se debe fijar con prensas en su lugar correspondiente antes de realizar el corte.

6. **ASEGÚRESE** de que la hoja esté afilada, gire libremente y no vibre.

7. **DEJE** que el motor alcance su velocidad máxima antes de empezar a cortar.

8. **MANTENGA LAS RANURAS DE VENTILACIÓN DEL MOTOR LIMPIAS** y sin virutas ni polvo.

9. **ASEGÚRESE SIEMPRE** de que todos los mangos estén bien apretados antes de cortar, incluso si la mesa está colocada en uno de los topes positivos.

10. **ASEGÚRESE** de que tanto la hoja como el anillo estén limpios y de que el perno del árbol esté bien apretado.

11. **UTILICE** únicamente los anillos para hojas especificados para la sierra.

12. **NUNCA** utilice hojas de más de 8-1/4" de diámetro.

13. **NUNCA** aplique lubricantes a la hoja mientras la herramienta se encuentra en funcionamiento.

14. **SIEMPRE** compruebe que la hoja no tenga grietas ni daños antes de utilizar la herramienta. Reemplace inmediatamente cualquier hoja con grietas o dañada.

15. **NUNCA** utilice hojas recomendadas para funcionar a menos de 4000 rpm.

16. **SIEMPRE** mantenga los protectores de la hoja en su lugar correspondiente y utilícelos en todo momento.

17. **NUNCA** extienda el brazo cerca de la hoja de la sierra.

18. **ASEGÚRESE** de que la hoja no esté en contacto con la pieza de trabajo antes poner el interruptor en la posición de **ENCENDIDO**.

19. **IMPORTANTE:** una vez realizado el corte, suelte el gatillo y espere hasta que la hoja se detenga antes de volver a poner la sierra en la posición elevada.

20. **ASEGÚRESE** de que la hoja se haya detenido por completo antes de retirar o asegurar la pieza de trabajo, cambiar el ángulo de la pieza de trabajo o cambiar el ángulo de la hoja.

21. **UTILICE ESTA SIERRA INGLETADORA MULTIUSO SÓLO PARA** materiales de madera, acero suave, aluminio y plástico. **NO** la utilice para cortar materiales a base de acero inoxidable, materiales de albañilería o asbesto.

22. **NUNCA** corte piezas pequeñas. La pieza de trabajo que va a cortar será demasiado pequeña si al sujetarla sus manos o sus dedos quedan a menos de 6-3/8" de distancia de la hoja de la sierra.

23. **COLOQUE** un soporte adecuado a los lados de la mesa de la sierra para las piezas de trabajo grandes.

24. **NUNCA** utilice la sierra ingletadora en áreas donde haya líquidos o gases inflamables.

25. **NUNCA** utilice disolventes para limpiar las piezas de plástico. Los disolventes podrían disolverse o dañar de cualquier otra forma el material.

26. **CORTE** la fuente de alimentación de energía antes del mantenimiento o del ajuste de la herramienta.

27. **DESCONECTE** la sierra de la fuente de alimentación y limpie la máquina una vez finalizado el corte.

28. **ASEGÚRESE** de que el área de trabajo esté limpia antes de dejar la máquina.

29. **SI** alguna de las piezas de la sierra ingletadora se ha perdido, dañado o falla de alguna manera, o si algún componente eléctrico no funciona correctamente, trabe el interruptor y desenchufe la clavija de la toma de corriente. Reemplace las piezas perdidas, dañadas o averiadas antes de continuar con la operación

ADVERTENCIA

ESPECIFICACIONES DE LA FUENTE DE ALIMENTACIÓN Y DEL MOTOR

El motor de CA utilizado en esta sierra es de tipo universal y no reversible.

Véase “MOTOR” en la sección “ESPECIFICACIONES DEL PRODUCTO” de la página 3.

ADVERTENCIA

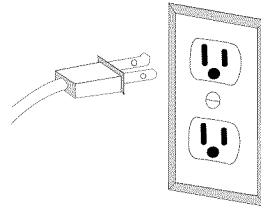
Para evitar peligros por descargas eléctricas, incendios o daños a la herramienta, utilice una protección contra cortocircuitos adecuada. La sierra ha sido cableada en fábrica para funcionar a 120 V. Enchufe la sierra en una toma de corriente eléctrica de 120 V y 15 A. Si el cable de alimentación estuviera desgastado, cortado o dañado de cualquier otro modo, reemplácelo de inmediato para evitar descargas eléctricas o incendios.

AISLAMIENTO DOBLE

La herramienta eléctrica tiene un aislamiento doble para proporcionar un doble espesor de aislamiento entre usted y el sistema eléctrico de la herramienta. Todas las piezas metálicas desnudas quedan aisladas de los componentes metálicos internos del motor a través de un aislamiento de protección.

Piezas de repuesto – Durante el mantenimiento, utilice únicamente piezas de repuesto idénticas.

Clavijas polarizadas – Esta sierra tiene una clavija del tipo mostrado abajo:



Para reducir el peligro de descargas eléctricas, esta sierra tiene una clavija polarizada (una hoja es más ancha que la otra). Esta clavija entrará en una toma polarizada de una sola manera. Si la clavija no entra totalmente en la toma, déle la vuelta. Si sigue sin entrar, póngase en contacto con un electricista cualificado para que le instale la toma correcta. No modifique la clavija de ninguna forma.

ADVERTENCIA

El aislamiento doble no sustituye a las precauciones normales de seguridad durante el manejo de esta herramienta.

Para evitar electrocuciones:

1. Durante el mantenimiento de una herramienta con un aislamiento doble, utilice únicamente piezas de repuesto idénticas.
2. El mantenimiento debe realizarlo un técnico cualificado.

1. No utilice herramientas eléctricas en lugares húmedos o mojados, ni las exponga a la lluvia o a la nieve.

2. Si el motor no arranca, suelte inmediatamente el interruptor de gatillo. **DESENCHUFE LA SIERRA.** Compruebe la hoja de la sierra para asegurarse de que gira libremente

CABLES

Utilice un cable prolongador adecuado. Asegúrese de que el cable prolongador esté en buen estado. Si utiliza un cable prolongador, asegúrese de utilizar uno con un grosor suficiente para proporcionar la corriente que el producto necesita. Un cable con una medida insuficiente causará una caída en la tensión de la línea, provocando una pérdida de potencia y un sobrecalentamiento. En la tabla de abajo se muestra la medida correcta a utilizar en función de la longitud del cable y del amperaje indicado en la placa de identificación.

Utilice un circuito eléctrico independiente para sus herramientas. Enchufe la sierra en una toma de corriente eléctrica de 120 V y 15 A.

NOTA: Si utiliza un cable prolongador en un circuito con un cable del nº 18, el cable prolongador no debe tener una longitud superior a 7,6 metros. Antes de conectar la herramienta a la línea de alimentación, asegúrese de que el interruptor esté en la posición APAGADO y de que la corriente eléctrica sea la misma que la especificada en la placa del motor ya que un funcionamiento a una tensión menor dañará el motor.

CALIBRE MÍNIMO DE LOS CABLES PROLONGADORES (AWG)					
(SÓLO CUANDO LA CORRIENTE ES DE 120 VOLTIOS)					
AMPERAJE LONGITUD		TOTAL DEL CABLE			
MÁS DE	NO MÁS DE	7.62 M	15.24 M	30.48 M	45.72 M
0	6	5.49	4.88	4.88	4.27
6	10	5.49	4.88	4.27	3.66
10	12	4.88	4.88	4.27	3.66
12	16	4.27	3.66	NO RECOMENDADO	

PRECAUCIÓN

En todos los casos, asegúrese de que la toma de corriente en cuestión esté bien conectada a tierra. Si no está seguro, haga que un electricista cualificado revise la toma de corriente.

ACCESORIOS Y ACOPLAMIENTOS

ACCESORIOS DISPONIBLES

ADVERTENCIA

- Utilice únicamente los accesorios recomendados para esta sierra ingletadora. Siga las instrucciones que vienen con los accesorios. La utilización de accesorios inapropiados puede derivar en situaciones de peligro.
- Está prohibida la utilización de cualquier herramienta de corte, excepto las hojas de sierra de 8-1/4" que cumplen los requisitos de los accesorios recomendados.
- No utilice accesorios tales como cortadores para dar forma ni hojas para ranurar. Se prohíbe el uso de discos abrasivos.
- No intente modificar esta herramienta ni crear accesorios no recomendados para ser utilizados con esta herramienta. Cualquier modificación de este tipo significa un mal uso y podría llevar a una situación de peligro que podría causar graves lesiones.

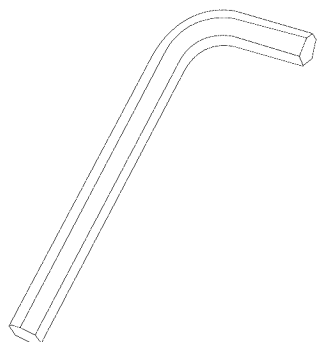
ACCESORIOS

Visite el departamento de ferretería de Sears o consulte el catálogo de herramientas eléctricas y manuales de Craftsman para adquirir los accesorios disponibles para esta herramienta eléctrica.

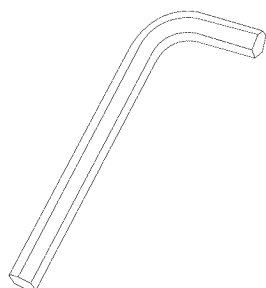
ADVERTENCIA

- Para evitar el peligro de sufrir lesiones corporales, no modifique la herramienta eléctrica ni utilice accesorios que no sean de la marca Craftsman.
- Lea las advertencias y las condiciones de su HOJA TCT (Punta de Carburo de Tungsteno). No utilice la sierra sin colocar el protector para la hoja adecuado en la posición correcta. El carburo es un material muy duro. Debe tener cuidado al montar, utilizar y guardar las hojas con punta de carburo para evitar daños accidentales. Los golpes como los que pueden recibir las puntas al manipularlas, pueden dañar la hoja. Antes de utilizar la hoja, compruebe siempre visualmente que no tenga grietas, que no le falten puntas o que éstas estén flojas, que no esté doblada ni dañada de cualquier otra manera. No la utilice si cree que puede estar dañada. Si no respeta las instrucciones de seguridad y las advertencias, puede sufrir graves lesiones corporales.

PROPORCIONADA

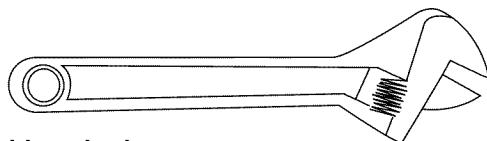


**Llave Allen
(cambio de la hoja)**

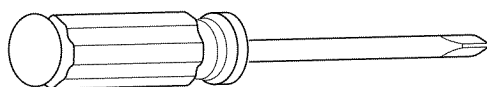


**Llave Allen
(ajustes)**

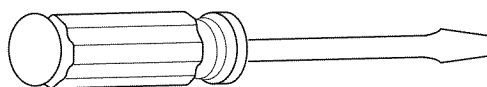
NO PROPORCIONADA



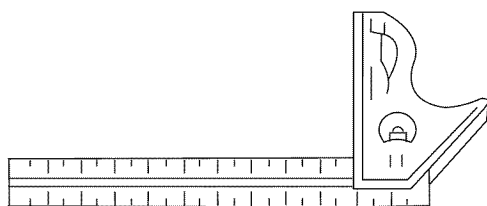
**Llave inglesa
ajustable**



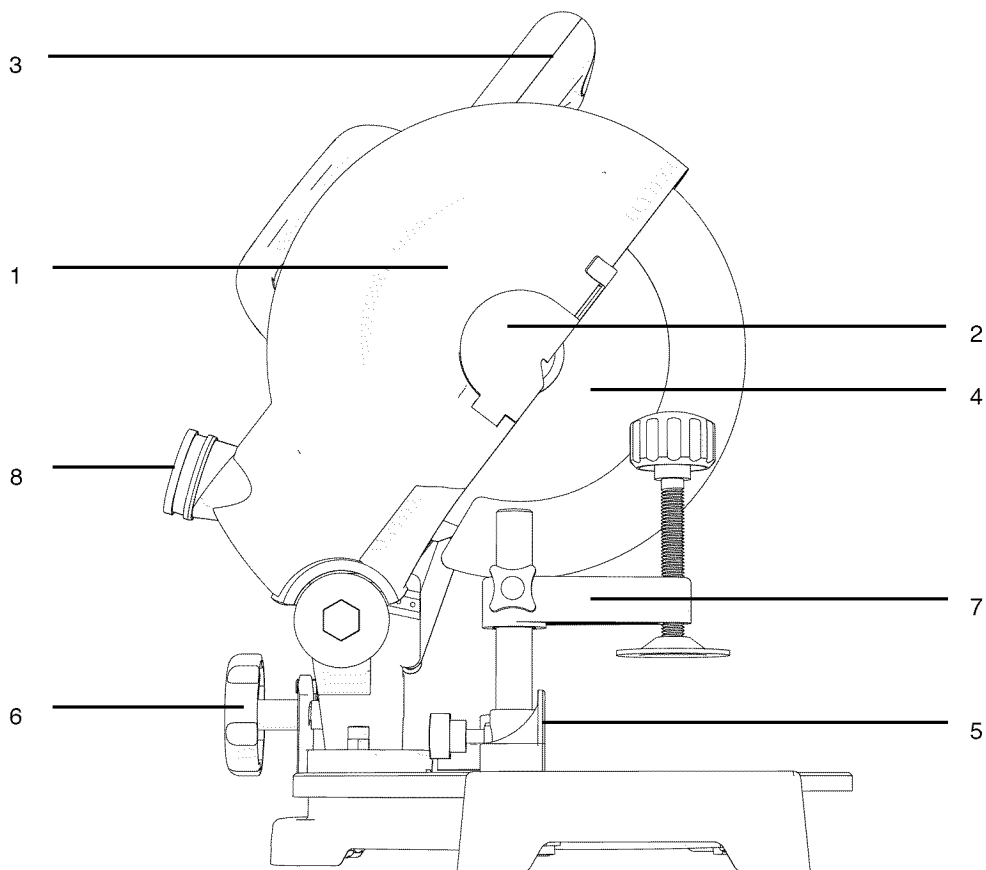
Destornillador Phillips



Destornillador plano

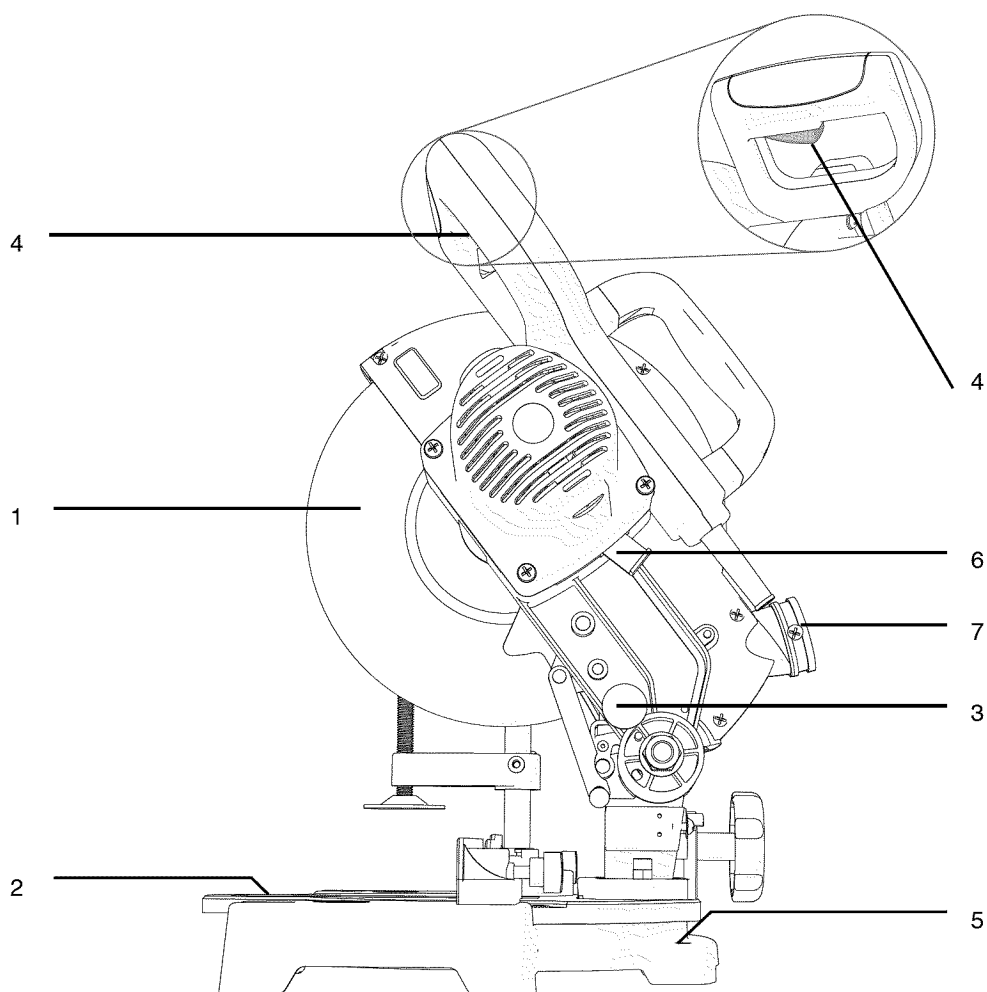


**Escuadra combinada
(conocida por su precisión)**



- 1- PROTECTOR SUPERIOR DE LA HOJA
- 2 - PROTECTOR AUXILIAR DE LA HOJA
- 3 - MANGO DEL CABEZAL DE CORTE
- 4 - HOJA (ALOJADA DENTRO DE UN PROTECTOR METÁLICO INFERIOR DE LA HOJA)
- 5 - GUÍA
- 6 - MANGO DE BLOQUEO DEL BISEL
- 7 - PRENSA DE SUJECIÓN
- 8 - LUMBREIRA DE EXTRACCIÓN DEL POLVO

CONOZCA SU SIERRA INGLETADORA COMPUESTA DE BISEL DOBLE



1 - PROTECTOR INFERIOR DE LA HOJA

2 - MESA

3 - PASADOR DE BLOQUEO DEL CABEZAL DE CORTE

4 - INTERRUPTOR DE GATILLO DE ENCENDIDO/APAGADO

5 - ORIFICIO DE MONTAJE (HAY 4 ORIFICIOS DE MONTAJE EN TOTAL, 2 EN LA PARTE POSTERIOR Y 2 EN LA PARTE FRONTAL)

6 - BOTÓN DE BLOQUEO DEL ÁRBOL

7 - LUMBRERA DE EXTRACCIÓN DEL POLVO

CONTENIDO DE LA CAJA

DESEMBALAJE DE LA SIERRA INGLETADORA

⚠ ADVERTENCIA

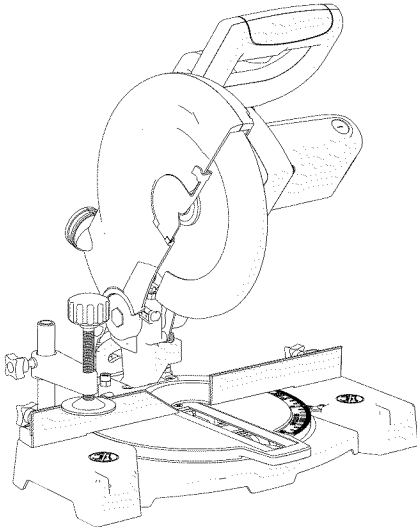
Para evitar lesiones por una puesta en marcha inesperada o por descargas eléctricas, no enchufe el cable de alimentación a ninguna toma de corriente ni durante el desembalaje ni durante el montaje. El cable de alimentación debe permanecer desenchufado siempre que se realicen ajustes o tareas de mantenimiento en la máquina.

1. Saque la sierra ingletadora de la caja.

IMPORTANTE: no levante la sierra con el mango del interruptor de gatillo. Puede desalinearla.

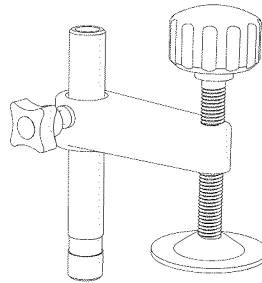
2. Coloque la sierra sobre una superficie de trabajo firme y segura.

3. Separe todas las piezas del material de embalaje. Compruebe cada una de ellas con las ilustraciones de abajo para asegurarse de que tiene todos los elementos antes de desechar los materiales de embalaje.



⚠ ADVERTENCIA

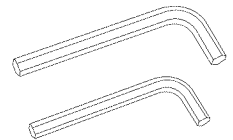
- Si faltara alguna pieza o si estuviera dañada, no intente montar la sierra ingletadora ni enchufar el cable de alimentación hasta que la pieza que falta o dañada haya sido debidamente reemplazada. Llame al 1-800-4694663 si faltara alguna pieza o si alguna estuviera dañada.
- Para evitar descargas eléctricas, utilice únicamente piezas de repuesto idénticas durante el mantenimiento de herramientas con doble aislamiento. Llame al 1-800-469-4663 si necesita piezas de repuesto.



Prensa de sujeción



Bolsa para el polvo



Llaves Allen

Sierra ingletadora multiusos de 8-1/4"

GLOSARIO DE TÉRMINOS

AMPERAJE (AMPS) - Una medida del flujo de corriente eléctrica. Unos amperajes más altos normalmente significan que la herramienta es adecuada para una capacidad mayor.

ÁRBOL - El eje sobre el que se monta la hoja.

TRABA DEL ÁRBOL - Le permite evitar que la hoja gire mientras aprieta o afloja el perno del árbol durante el reemplazo o retirada de la hoja.

BASE - Sostiene la mesa, sujeta los accesorios y permite el montaje sobre un banco de trabajo o sobre un juego de patas.

CORTE EN BISEL - Corte angular realizado a través de la superficie de la pieza de trabajo.

MANGO DE BLOQUEO DE BISEL - Bloquea la sierra ingletadora en un ángulo de bisel deseado.

ESCALA DE BISEL - Se utiliza para medir el ángulo de bisel de la hoja de la sierra de 0° a 45° hacia la izquierda.

PUNTA DE CARBURO DE TUNGSTENO (TCT) - Piezas de acero extremadamente duras con filos de corte afilados fijados a herramientas de corte tales como hojas de sierras.

CORTE COMPUESTO - Una combinación de un ángulo de inglete y un ángulo de bisel.

PASADOR DE BLOQUEO DEL CABEZAL DE CORTE - Bloquea la sierra ingletadora en la posición inferior para un almacenamiento y transporte compactos.

AISLAMIENTO DOBLE - Un tipo de protección eléctrica que se caracteriza porque incluye dos sistemas de aislamiento independientes para ayudar a proteger contra descargas eléctricas.

ESCALA DE INGLETES - Indica el ángulo de inglete seleccionado de 00 a 450 hacia la izquierda y hacia la derecha.

CABLE PROLONGADOR - Un cable eléctrico utilizado entre herramientas eléctricas y tomas de alimentación para prolongar la distancia entre ambas. Cuanto más amperaje utilice la herramienta y mayor sea la distancia, mayor será la longitud del cable prolongador.

PROTECCIÓN PARA LOS OJOS - Lentes o gafas destinadas a proteger los ojos. La protección para los ojos debe cumplir los requisitos de la ANSI Z.87.1 (EE.UU.) o de la CSA Z94.3-M88 (CANADÁ).

MÁSCARA FACIAL - Una máscara resistente a los impactos para protegerle la cara de las virutas, chipas, partículas de polvo. Sólo debe ser utilizada junto con una protección para los ojos adicional.

GUÍA - Ayuda a evitar que la pieza de trabajo se mueva durante las operaciones de corte.

GLOSARIO DE TÉRMINOS

PROTECTOR - Dispositivo de protección que forma una barrera entre un objeto peligroso tal como una hoja, disco o cuchilla y el operador.

PRENSA DE SUJECCIÓN - Asegura la pieza de trabajo durante las operaciones de corte.

MANUAL DE OPERADOR - Librillo que acompaña a su herramienta eléctrica y en el que se describen los peligros y los procedimientos de manejo seguro y se explican los procesos de funcionamiento, cuidado y mantenimiento básicos de la herramienta.

ANCHO DE CORTE - La anchura de un corte de sierra determinada por el grosor y ajuste de la hoja.

CONTRAGOLPE - Movimiento repentino e inesperado de la herramienta o de la pieza de trabajo. Normalmente se produce al fijar o inmovilizar la piezas de trabajo.

CORTE EN INGLETE - Un inglete es un tipo de junta en donde las dos piezas a unir se cortan en ángulo y, normalmente, la junta acabada forma un ángulo de 90 grados.

ORIFICIOS DE MONTAJE - Se utilizan para montar la sierra ingletadora en una superficie de trabajo plana y estable.

INTERRUPTOR DE GATILLO DE ENCENDIDO/APAGADO - Para poner en marcha la herramienta, apriete el gatillo. Para APAGAR la sierra ingletadora, suelte el gatillo.

REVOLUCIONES POR MINUTO (rpm) - El número de vueltas o rotaciones realizadas por un objeto giratorio en un minuto.

TRAYECTORIA DE LA HOJA DE SIERRA - El área de la pieza de trabajo o de la parte superior de la mesa directamente en línea con el desplazamiento de la hoja o de la parte de la pieza de trabajo que se va a cortar.

MANGO DEL CABEZAL DE CORTE - Contiene el interruptor de gatillo. La hoja se baja empujando el mango hacia abajo. La sierra volverá a su posición vertical al soltar el mango.

ETIQUETAS DE ADVERTENCIA - Por su propia seguridad lea y comprenda todas las etiquetas pegadas a la máquina.

⚠ ADVERTENCIA

Para evitar lesiones por una puesta en marcha inesperada o por descargas eléctricas, no enchufe el cable de alimentación a ninguna fuente de alimentación ni durante el desembalaje ni durante el montaje. El cable de alimentación debe permanecer desenchufado siempre que se realicen trabajos en la sierra.

⚠ ADVERTENCIA

Para evitar lesiones y/o daños en la sierra, transporte o almacene la sierra ingletadora con el cabezal de corte bloqueado en la posición inferior. Asegúrese siempre de soltar el cabezal de corte de la posición bloqueada antes de realizar las operaciones de corte.

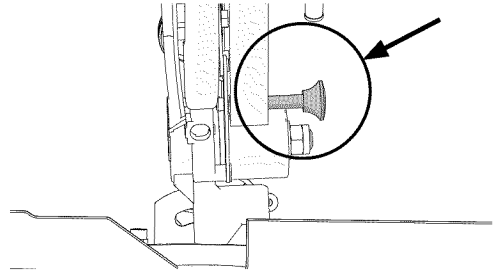
CABEZAL DE CORTE

ADVERTENCIA: Para evitar graves lesiones, NUNCA realice la operación de bloqueo o desbloqueo del cabezal de corte a menos que la sierra esté APAGADA y la hoja haya dejado de girar.

Desbloqueo del cabezal de corte (Fig. A)

- Con una mano, agarre y presione suavemente hacia abajo el mango del cabezal de corte.
- Con la otra mano, saque el pasador de bloqueo de su alojamiento y deje que el cabezal suba hasta su posición superior.

NOTA: Cuando no utilice la máquina, bloquee el cabezal de corte en la posición inferior con el pasador de bloqueo totalmente dentro de su alojamiento.

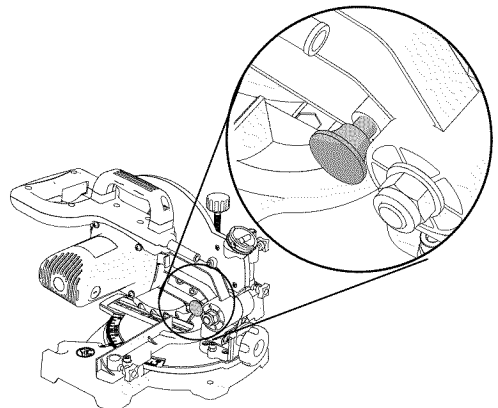


(Fig. A)

Bloqueo del cabezal de corte en la posición inferior (Fig. B)

Cuando no utilice la sierra ingletadora, o durante su transporte o almacenamiento, bloquee el cabezal de corte en la posición inferior con el pasador de bloqueo totalmente dentro de su alojamiento.

- Baje el cabezal de corte hasta su posición más baja.
- Empuje el pasador de bloqueo hasta que quede totalmente dentro del alojamiento de bloqueo.



(Fig. B)

INSTALACIÓN DE LA BOLSA DE RECOGIDA DE POLVO

Acople la bolsa de recogida de polvo en el orificio de extracción de polvo. (véase **CONOZCA SU SIERRA INGLETADORA COMPUESTA DE BISEL DOBLE en la página 14**)

1. Deslice el reborde de la bolsa de recogida sobre la salida del orificio de extracción, asegurándose de que quede firmemente conectado.
2. Para quitar la bolsa, deslice el reborde en la dirección opuesta.

NOTA: Para asegurar una óptima recogida del polvo, vacíe la bolsa del polvo cuando esté 2/3 llena aproximadamente.

PRECAUCIÓN

Elimine el contenido de la bolsa de recogida de polvo de una forma responsable con el medio ambiente. Puede que al vaciar la bolsa de recogida de polvo resulte necesario utilizar una mascarilla contra el polvo.

Antes de cortar materiales metálicos debe retirarse la bolsa de recogida de polvo de la sierra.

INSTALACIÓN DE LA PRENSA DE SUJECCIÓN (Fig. C)

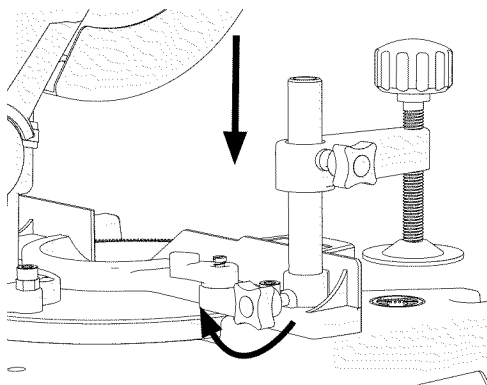
En la parte posterior de la guía de la máquina hay formados dos orificios (uno a cada lado).

1. Introduzca la prensa en el orificio de retención que mejor se adapte a la aplicación de corte, asegurándose de que quede totalmente presionada hacia abajo.
2. Apriete el tornillo de mariposa de la guía para bloquear la columna de la prensa de

sujeción en el orificio de la guía.

3. Ponga la pieza de trabajo a cortar en la base de la sierra.

4. Ajuste la prensa con el tornillo de mariposa y el volante de mano de modo la pieza de trabajo quede bien fijada a la base de la sierra. Asegúrese de que la prensa no quede dispuesta en la trayectoria de la hoja.



(Fig. C)

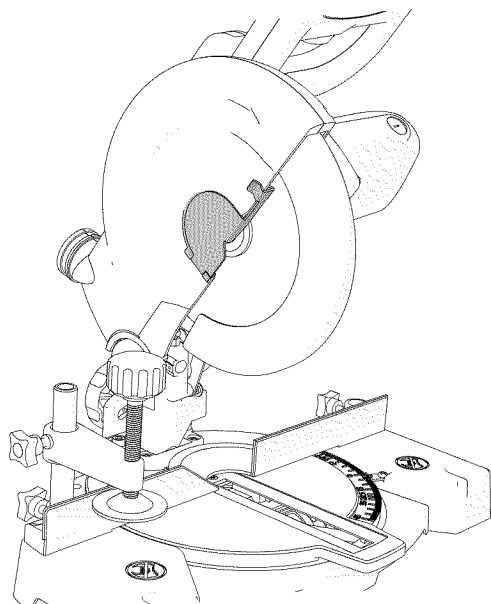
ADVERTENCIA

Utilice únicamente las hojas especificadas para su uso con esta máquina. Asegúrese de que la velocidad máxima de la hoja sea compatible con la máquina. Lleve a cabo esta operación con la máquina desconectada de la fuente de alimentación únicamente.

NOTA: Utilice guantes de protección al manipular la hoja durante su instalación y extracción.

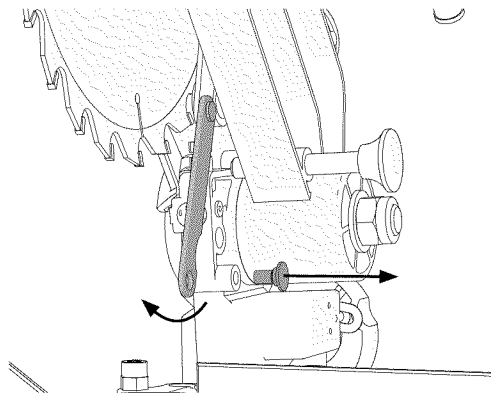
1. Asegúrese de que el cabezal de corte esté arriba.
2. Pulse el botón que hay en la parte

delantera del protector auxiliar y rote el protector auxiliar hacia afuera para que el perno del árbol quede a la vista. (Fig. D)



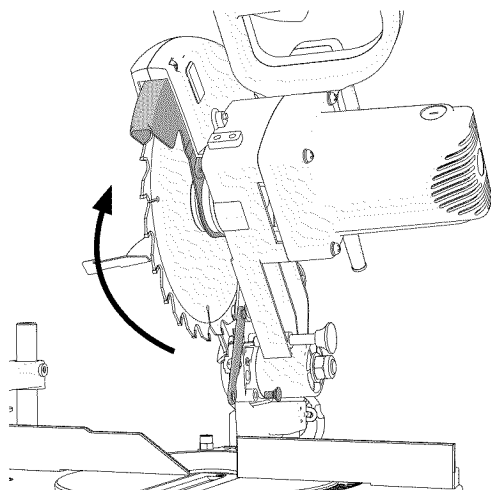
(Fig. D)

3. Quite el tornillo de retención del brazo de accionamiento del protector inferior. Suelte el brazo de accionamiento del protector de su pivote. (Fig. E)



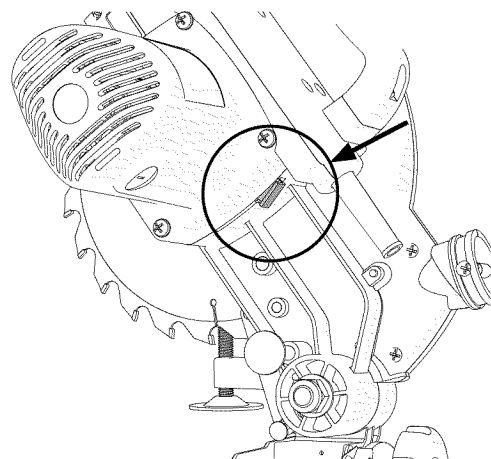
(Fig. E)

4. Gire el protector inferior de la hoja hacia arriba hasta que entre en el protector superior de la guía (Fig. F)



(Fig. F)

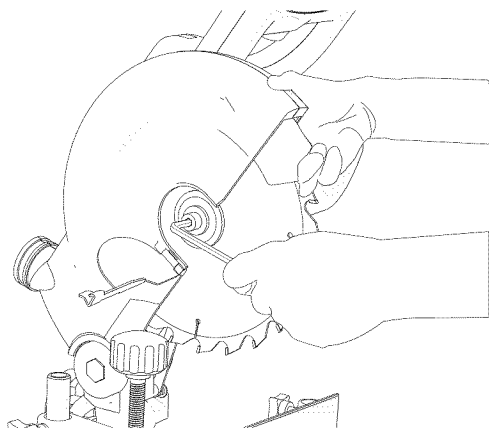
5 Pulse el botón de bloqueo del árbol para bloquearlo. (Fig. G)



(Fig. G)

6. Utilizando la llave Allen proporcionada, suelte el tornillo del árbol para retirar la hoja. (Fig. H)

NOTA: Las roscas del tornillo del árbol están en sentido inverso. Gírelo hacia la derecha para aflojarlo y hacia la izquierda para apretarlo.



(Fig. H)

7. Instale la hoja nueva de 8-1/4". Asegúrese de que la flecha de giro en la hoja se corresponda con la flecha de giro en sentido horario en la protección superior.

NOTA: Los dientes de la hoja deberían siempre mirar hacia abajo en la parte delantera de la sierra.

8. Instale la hoja, el anillo exterior de la hoja, la arandela y el tornillo del árbol. (1, 2, 3, 4)

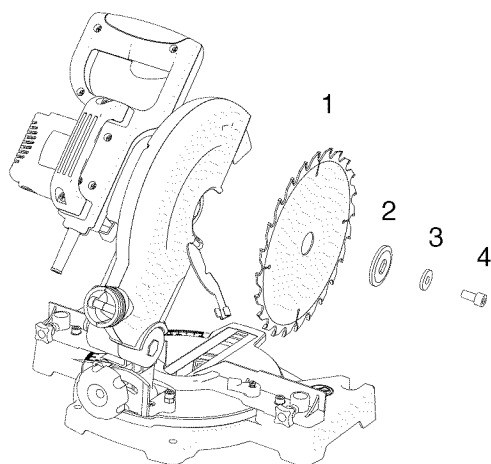
(Fig. J)

9. Bloquee el árbol y apriete el tornillo del árbol con una fuerza moderada, sin sobreapretarlo.

10. Reemplace el brazo de accionamiento del protector inferior y su tornillo de retención.

11. Asegúrese de que se haya sacado la llave Allen y de que el bloqueo del árbol se haya liberado rotando la hoja con la mano.

12. Gire el protector auxiliar hacia delante hasta que quede enclavado en su posición de servicio.



(Fig. J)

13. Antes de utilizar la máquina, asegúrese de que todos los protectores de la hoja queden colocados en su posición correcta y de que estén en perfecto estado de funcionamiento.

NOTA: No deberían utilizarse separadores ni anillos de husillo con esta máquina u hoja.

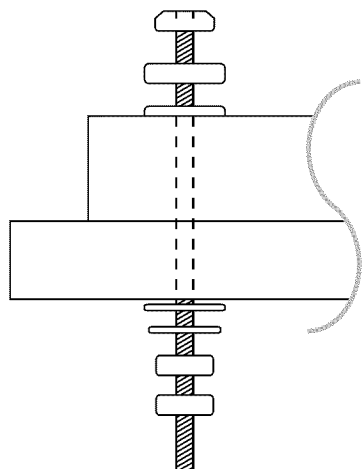
⚠ ADVERTENCIA

Asegúrese de que los anillos de las hojas estén limpios y bien colocados sobre el árbol. Baje la hoja hasta la mesa y compruebe el contacto con la mesa o con el inserto de la mesa. Si se produce algún contacto, vea DESPLAZAMIENTO DEL CABEZAL DE CORTE en la página 26. MONTAJE DE LA SIERRA INGLETADORA

⚠ ADVERTENCIA

Para reducir el riesgo de lesiones derivadas de un movimiento inesperado de la sierra, póngala en el lugar deseado sobre un banco de trabajo o sobre cualquier otro soporte adecuado para la máquina. La base de la

sierra tiene cuatro orificios de montaje a su través en los cuales pueden introducirse unos pernos correspondientes para asegurar la sierra ingletadora. Si la sierra va a utilizarse siempre en el mismo lugar, fjela de forma permanente al banco de trabajo utilizando elementos de fijación apropiados (no proporcionados). Utilice unas arandelas y tuercas de bloqueo que deberían de quedar colocadas en la parte inferior del banco de trabajo. (Fig. K)



(Fig. K)

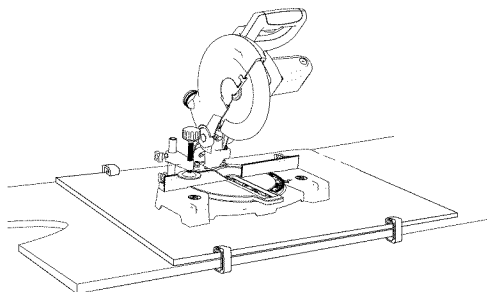
1. Apriete los dispositivos de bloqueo de inglete y de bisel. Véase la sección **FUNCIONAMIENTO**.
2. Para evitar lesiones como consecuencia de las partículas de polvo suspendidas en el aire, coloque la sierra de modo que otras personas o transeúntes no queden demasiado cerca de ella (o detrás).
3. Ponga la sierra sobre una superficie plana y firme donde haya mucho espacio para manipular y apoyar debidamente la pieza de trabajo.
4. Apoye la sierra de forma que la mesa de

la máquina quede nivelada y la sierra no se balancee.

5. Atornille o fije firmemente la sierra en su soporte o banco de trabajo.

Para un uso portátil:

1. Monte la sierra sobre una pieza de contrachapado de 3/4" de espesor utilizando elementos de fijación apropiados (no proporcionados).
2. Puede que resulte necesario avellanar las arandelas, tuercas, etc., en la parte inferior del tablero contrachapado de montaje para evitar una superficie de trabajo irregular.
3. Utilice prensas en 'C' para fijar el tablero de montaje a la superficie de trabajo en el lugar de trabajo. (Fig. L)



(Fig. L)

INSTRUCCIONES DE AJUSTE



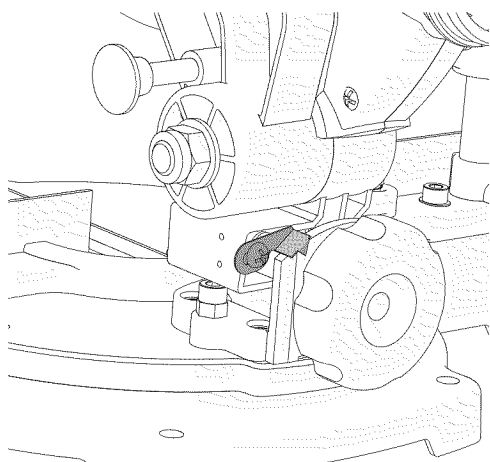
Para evitar lesiones como consecuencia de una descarga eléctrica o de una puesta en marcha accidental, asegúrese que el interruptor esté en la posición APAGADO y que la clavija no esté conectada a ninguna toma de corriente.

NOTA: Para comprobar las alineaciones angulares, el cabezal de corte se debe bajar y bloquear en la posición inferior con el pasador de bloqueo totalmente dentro de su alojamiento.

Consulte la sección “**Bloqueo del cabezal de corte en la posición inferior**” en la página 18.

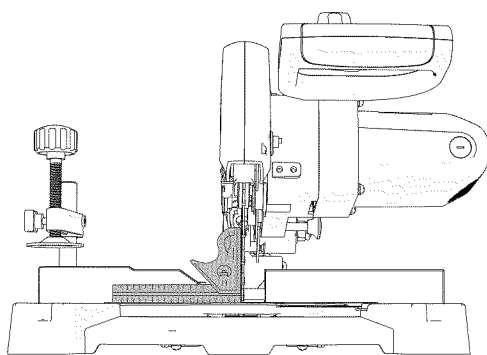
Ajuste del tope del bisel a 0°

1. Asegúrese de que el cabezal de corte esté en posición vertical en contacto con su tipo y que el indicador del bisel indique “00” en la escala. (Fig. M)



(Fig. M)

2. Coloque una escuadra combinada sobre la mesa ingletadora con la regla contra la mesa y el talón de la escuadra contra la hoja. (Fig. N)

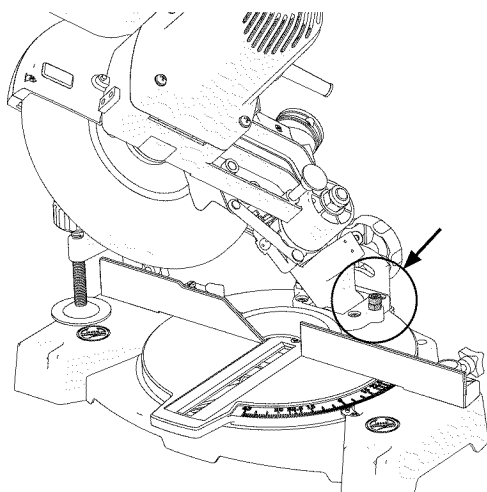


(Fig. N)

3. Si la hoja no está a 90° a escuadra con la mesa ingletadora, hay que proceder al ajuste.

4. Afloje el mango de bloqueo del bisel e incline el cabezal de corte hacia la izquierda.

5. Afloje la contratuerca del tornillo de ajuste del ángulo de bisel. (Fig. P)



(Fig. P)

6. Utilice una llave Allen para atornillar o desatornillar el tornillo y ajustar la inclinación de la hoja.

7. Vuelva a poner el cabezal de corte en

su posición vertical y vuelva a comprobar la alineación angular con la escuadra combinada.

8. Repita los pasos 1 a 7 hasta alcanzar la alineación angular correcta.

9. Apriete firmemente la contratuerca del tornillo de ajuste del ángulo de bisel.

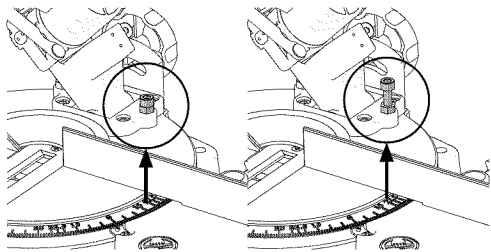
Ajuste del indicador del bisel a 0°

NOTA: El operador debe cerciorarse de que la hoja esté totalmente perpendicular respecto a la mesa cuando ésta está en la posición vertical y en contacto con su tope.

Si el indicador no está totalmente alineado con la marca 0° de la escala de escuadra, hay que realizar un ajuste.

Afloje el tornillo del indicador del bisel con un destornillador Phillips nº 2.

Ajuste el indicador del bisel de modo que quede totalmente alineado con la marca de 0°. Vuelva a apretar el tornillo. (Fig. P1 & P2)



(Fig. P1 & P2)

Comprobación y ajuste del tope del bisel a 45° a la izquierda

NOTA: Asegúrese de que la punta de la moldura de corona de 33.90 esté en su posición desacoplada (exterior).

1. Afloje el mango de bloqueo del bisel e incline el cabezal de corte por completo hacia la izquierda hasta que quede en contacto con el tope de 45°.

2. Utilice una escuadra combinada para ver si la hoja está a 45° respecto a la mesa.

Si la hoja de la sierra no está alineada con total exactitud, hay que ajustarla.

3. Vuelva a poner el cabezal de corte en su posición vertical.

Afloje la contratuerca del tornillo de ajuste del bisel a 45°.

4. Utilice una llave Allen para ajustar el tornillo de ajuste enroscándolo o desenroscándolo según resulte necesario.

Ajuste del tope del bisel a 45°

1. Afloje el mango de bloqueo del bisel e incline el cabezal de corte por completo hacia la izquierda hasta que quede en contacto con el tope de 45°.

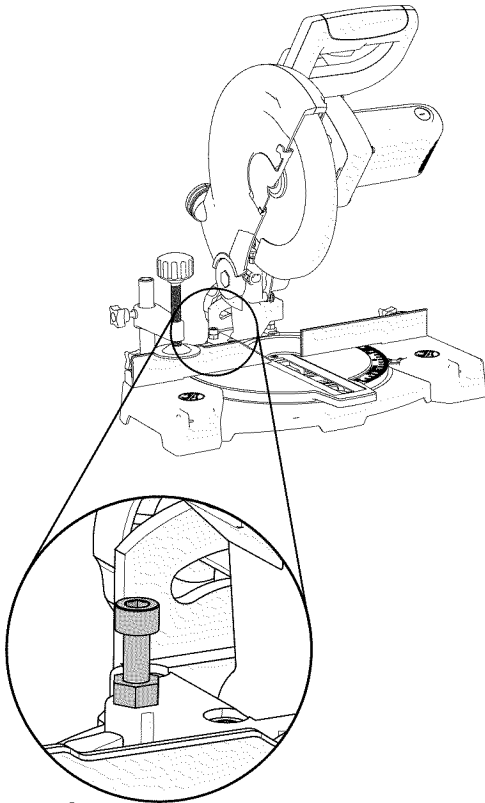
2. Utilice una escuadra combinada para ver si la hoja está a 45° respecto a la mesa.

3. Si la hoja de la sierra no está alineada con total exactitud, hay que ajustarla.

4. Vuelva a poner el cabezal de corte en su posición vertical.

5. Afloje la contratuerca del tornillo de ajuste del bisel a 45°.

6. Utilice una llave Allen para girar el tornillo de ajuste enroscándolo o desenroscándolo según resulte necesario. (Fig. Q)



(Fig. Q)

(Fig. Q)

7. Incline el cabezal de corte al ajuste de 45° y vuelva a comprobar la alineación con la escuadra combinada.

8. Repita los pasos 1 a 7 hasta alcanzar la alineación angular correcta.

9. Apriete firmemente la contratuerca del tornillo de ajuste una vez conseguida la alineación.

Incline el cabezal de corte al ajuste de 45° y vuelva a comprobar la alineación con la escuadra combinada.

Repita los pasos 1 a 7 hasta alcanzar la alineación angular correcta.

Apriete firmemente la contratuerca del tornillo de ajuste una vez conseguida la alineación

Comprobación y ajuste del tope del bisel a $33,9^\circ$ a la izquierda

De ser necesario, pueden comprobarse y ajustarse los ajustes de $33,9^\circ$. Se necesitará un calibrador angular que se debe ajustar con exactitud en $33,9^\circ$. Debe desplegarse la punta de la moldura de corona de $33,9^\circ$. Para acoplar la punta de la moldura de corona:

1. Saque ligeramente la punta y gírela $1/4$ en cualquier dirección. (Fig. Q)
- 2 Suelte la punta e incline el cabezal de corte al ajuste de $33,9^\circ$.



Una vez realizados con éxito todos los ajustes angulares, debe comprobarse el funcionamiento del protector inferior de la hoja para asegurarse de que está funcionando correctamente. Si el protector inferior de la hoja no está funcionando correctamente, no debe utilizarse la sierra.

Ajuste de la guía

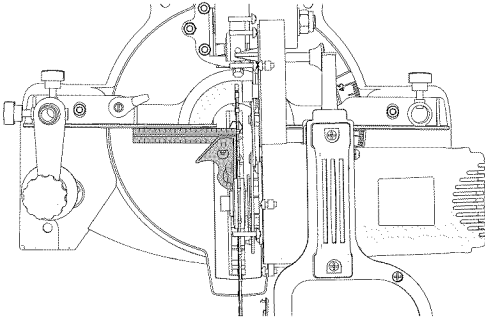
La guía se debe alinear a 90° (escuadra) respecto a una hoja correctamente instalada.

La mesa giratoria se debe ajustar a un

ángulo de inglete de "00".

La guía se fija a la mesa con dos tornillos Allen de cabeza hueca colocados uno a cada uno de los lados de unas ranuras alargadas.

1. Coloque una escuadra combinada sobre la mesa con la regla contra la guía y el talón contra la hoja. **(Fig. R)**



(Fig. R)

2. En caso de ser necesario un ajuste, afloje los dos tornillos de ajuste de la guía con una llave Allen.

3. Vuelva a colocar la guía en sus ranuras alargadas hasta conseguir la alineación.

4. Apriete firmemente los tornillos de cabeza hueca.

Ajuste del indicador de ángulos de inglete

NOTA: Hay unas escalas dobles de ángulos de inglete en la mesa rotatoria a la derecha de la hoja. Un pequeño indicador indica el ángulo seleccionado.

En caso necesario, el indicador se puede reposicionar aflojando su tornillo de fijación con un destornillador Phillips nº 2.

Ajústelo según sea necesario y, a continuación, apriételo firmemente con el tornillo de fijación.

DESPLAZAMIENTO DEL CABEZAL DE CORTE

Ajuste del desplazamiento descendente del cabezal de corte. (Fig. S)

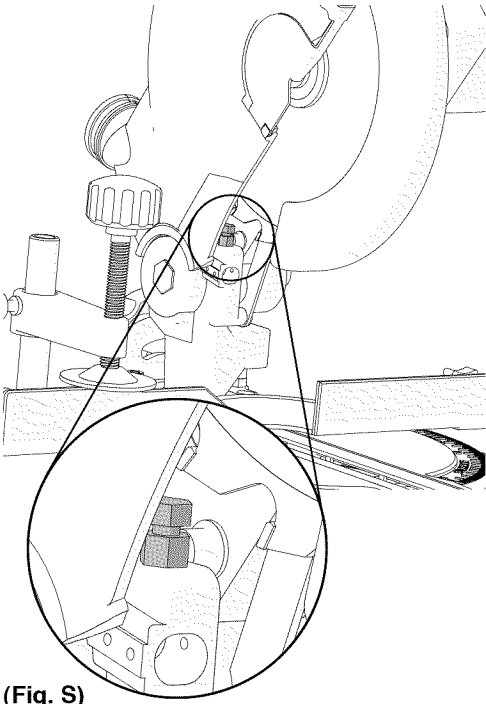
Para evitar que la hoja entre en contacto con alguna parte de la base metálica de la máquina, puede ajustarse el desplazamiento descendente del cabezal de corte. Baje el cabezal de corte y compruebe si la hoja está en contacto con la base de la máquina. En caso de que haya que ajustar el desplazamiento descendente del cabezal de corte:

1. Afloje la contratuerca del tornillo de tope del desplazamiento descendente.

2. Desenrosque el tornillo de ajuste (en sentido contrario a las agujas del reloj) para reducir el desplazamiento descendente del cabezal de corte.

3. Enrosque el tornillo de ajuste (en el sentido de las agujas del reloj) para aumentar el desplazamiento descendente del cabezal de corte.

4. Apriete la contratuerca del tornillo de ajuste cuando se alcance un desplazamiento descendente del cabezal de corte satisfactorio.



(Fig. S)

FUNCIONAMIENTO

INSTRUCCIONES DE SEGURIDAD PARA EL FUNCIONAMIENTO BÁSICO DE LA SIERRA

ANTES DE UTILIZAR LA SIERRA INGLETADORA



ADVERTENCIA

Para evitar errores que podrían causarle lesiones graves y permanentes, no enchufe la máquina hasta que haya completado los pasos siguientes:

- Monte y ajuste por completo la sierra siguiendo las instrucciones. (**MONTAJE Y AJUSTES**)
- Aprenda el uso y la función del interruptor de gatillo de ENCENDIDO/ APAGADO, la palanca de liberación del protector inferior de la hoja, los protectores superior e inferior de la hoja, el mango de bloqueo del bisel y el pasador de bloqueo del cabezal de corte.
- Revise y comprenda todas las instrucciones de seguridad y los procedimientos de funcionamiento indicados en este Manual del operador.
- Revise la **GUÍA DE MANTENIMIENTO y de SOLUCIÓN DE PROBLEMAS** de la sierra ingletadora.
- Para evitar lesiones e incluso la muerte por descargas eléctricas:
- Asegúrese de no tocar con los dedos las patillas metálicas del enchufe al enchufar o desenchufar la sierra ingletadora. (**REQUISITOS ELÉCTRICOS Y SEGURIDAD**)

INSPECCIONE LA SIERRA ANTES DE CADA USO

- Desconecte la sierra ingletadora. Para evitar lesiones como consecuencia de una puesta en marcha accidental, desenchufe la sierra antes de realizar cualquier ajuste, incluidos la instalación y los cambios de hoja.
- Compare la dirección de la flecha de rotación que hay sobre el protector con la flecha de dirección que hay sobre la hoja. Los dientes de la hoja deberían mirar siempre hacia abajo por la parte delantera de la sierra.
- Apriete el perno del árbol.
- Compruebe que no haya piezas dañadas. Compruebe:
- Si hay grietas en la hoja o dientes rotos, desportillados o caídos.
- La alineación de las piezas móviles
- Cables de alimentación dañados
- La conexión de las piezas móviles
- Los orificios de montaje
- El funcionamiento del protector inferior de la hoja: empuje el cabezal de corte todo lo que pueda hacia abajo y, a continuación, deje que suba hasta que se pare. El protector inferior de la hoja debería de cerrarse por completo rodeando la hoja. Siga las instrucciones de la **GUÍA DE SOLUCIÓN DE PROBLEMAS** para la realización de cualquier ajuste necesario.
- Cualquier otra condición que pudiera afectar la manera de funcionar de la sierra ingletadora.
- Mantenga todos los protectores en su lugar correspondiente, en perfecto estado de funcionamiento y

correctamente ajustados. Si alguna de las piezas de la sierra ingletadora faltara, estuviera doblada, dañada o rota de cualquier manera, o si no funcionaran las piezas eléctricas APAGUE la sierra y desenchúfela.

- Reemplace las piezas dobladas, dañadas, perdidas o defectuosas antes de volver a utilizar la sierra de nuevo.
- Mantenga las herramientas con cuidado. Mantenga la sierra limpia para que su funcionamiento sea mejor y más seguro. Siga las instrucciones de lubricación. No lubrique la hoja mientras gira.
- Retire todas las herramientas de ajuste de la sierra antes de ENCENDERLA.
- Para evitar lesiones por obstrucciones, deslizamientos o desprendimientos de las piezas, utilice únicamente los accesorios recomendados.
- Compruebe la bolsa del polvo antes de empezar a trabajar. Vacíe la bolsa si está llena más de la mitad.

ACCESORIOS DISPONIBLES

- Consulte la sección ACCESORIOS y ACOPLAMIENTOS de este Manual del operador para obtener información acerca de los accesorios disponibles. Siga las instrucciones que se incluyen con el accesorio. El uso de accesorios inadecuados puede implicar riesgos de lesiones personales.
- Elija la hoja de 12" de diámetro apropiada para el material y el tipo de corte que planea realizar. No utilice hojas con un ancho de corte fino.
- Asegúrese de que la hoja esté afilada, no esté dañada y esté bien instalada.

Con la sierra desenchufada, empuje el cabezal de corte todo lo que pueda. Gire a mano la hoja y compruebe la holgura. Incline el cabezal de corte a un ángulo de bisel de 45° y repita la prueba.

- Asegúrese de que los anillos de la hoja y del árbol estén limpios.
- Asegúrese de que todas las prensas y tornillos de bloqueo estén apretados y de que no haya un juego excesivo en ninguna de las piezas.

MANTEGA LIMPIA EL ÁREA DE TRABAJO



Las zonas y los bancos de trabajo desordenados facilitan los accidentes. Para evitar quemaduras o cualquier otro daño causado por el fuego, nunca utilice la sierra ingletadora cerca de líquidos, vapores o gases inflamables.

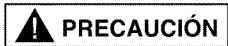
- Planifique de antemano cómo protegerse los ojos, las manos, la cara y los oídos.
- Conozca la sierra ingletadora. Lea y comprenda el Manual del operador y las etiquetas pegadas a la herramienta. Aprenda su aplicación y sus limitaciones, así como los peligros potenciales específicos propios de esta herramienta. Para evitar lesiones como consecuencia de un contacto accidental con las piezas móviles, no disponga, monte o prepare el trabajo sobre la sierra ingletadora mientras haya piezas en movimiento.
- Para evitar una puesta en marcha accidental, asegúrese de que el interruptor de gatillo esté en la posición

APAGADO antes de enchufar la sierra ingletadora en una fuente de alimentación.

impactos y no son gafas de seguridad. Las gafas o lentes que no cumplen la ANSI Z87.1 pueden ocasionarle graves lesiones si se rompen.

PLANIFIQUE EL TRABAJO

- Utilice la herramienta adecuada. No permita que alguna herramienta o accesorio realice un trabajo para el que no ha sido diseñado. Utilice una herramienta diferente para cualquier pieza que no pueda mantenerse sujeta en una posición bien agarrada y fija.



Esta máquina no ha sido diseñada para cortar productos de albañilería, productos que contienen materiales tipo asbesto ni aceros inoxidables. Utilice esta sierra ingletadora para cortar madera, productos de madera, aluminio y acero suave y la mayoría de plásticos duros. El resto de los materiales pueden romperse, quedarse unidos a la hoja u originar otros peligros. Inspeccione la pieza de trabajo para ver si contiene algún material prohibido antes de empezar a cortar. La hoja multiuso cortará madera que contiene clavos de acero corrientes, etc. Quite la bolsa para el polvo al cortar materiales metálicos o semimetálicos.

UTILICE UNA VESTIMENTA SEGURA



Cualquier herramienta eléctrica puede lanzar objetos extraños a los ojos. Esto puede ocasionar un daño permanente en los ojos. Las gafas de uso diario sólo tienen lentes resistentes a los

- No utilice ropa suelta, guantes, corbatas ni alhajas (anillos, relojes, etc.). Pueden atascarse y atraerlo hacia las piezas móviles.
- Utilice calzado antideslizante.
- Si tiene el pelo largo, recójaselo.
- Arremánguese las mangas largas hasta arriba del codo.
- Los niveles de ruido varían considerablemente. Para evitar un posible daño auditivo, protéjase los oídos al utilizar cualquier sierra ingletadora.
- Cuando realice trabajos que generen mucho polvo, utilice una mascarilla contra el polvo además de gafas de seguridad.

INSPECCIONE LA PIEZA DE TRABAJO

Compruebe la pieza de trabajo y asegúrese de que no contenga materiales prohibidos tales como materiales de albañilería o asbesto. Planifique la secuencia de operaciones que desea realizar para asegurarse de que la pieza de trabajo estará en todo momento bien fijada a la mesa de la sierra. Evite las piezas pequeñas ya que son difíciles de agarrar de forma segura. Evite operaciones y posiciones de las manos incómodas donde un resbalón repentino podría hacer que los dedos o la mano se muevan hacia la hoja.



NO FUERCE LA POSTURA

Para evitar graves lesiones por un corte con la hoja, no extienda NUNCA el brazo o la mano de modo que quede en la trayectoria de la hoja.

Mantenga el equilibrio y el apoyo correcto de los pies. Colóquese a un lado de modo que la cara y el cuerpo queden fuera de la línea de un posible contragolpe. NUNCA extienda el brazo o la mano de modo que quede “en línea” con la trayectoria de corte de la hoja. Los cortes a pulso son una de las causas principales de accidentes y jamás deben realizarse.

- Asegúrese de que la pieza de trabajo siempre quede firmemente en contacto con la guía y que, siempre que se pueda, quede fijada a la mensa con la prensa de sujeción.
- La mesa debe estar limpia y sin serrín, etc., antes de fijar la pieza de trabajo en la posición correspondiente.
- Asegúrese de que el material “cortado” pueda moverse libremente hacia los lados alejándose de la hoja una vez realizado el corte. Asegúrese de que la pieza “cortada” no se pueda “atascar” en cualquier otra parte de la máquina.
- Asegure siempre la pieza de trabajo. Siempre que pueda, utilice la prensa o prensas de sujeción.
- No utilice esta sierra para cortar piezas pequeñas. La pieza de trabajo que va a cortar será demasiado pequeña si al sujetarla sus manos o sus dedos quedan a menos de 6-3/8” de distancia

de la hoja de la sierra.

- Mantenga las manos y los dedos fuera de la “zona sin manos” marcada con pictogramas en la mesa de la sierra.

EXTREME LAS PRECAUCIONES CON LAS PIEZAS DE TRABAJO GRANDES O CON UNA FORMA IRREGULAR

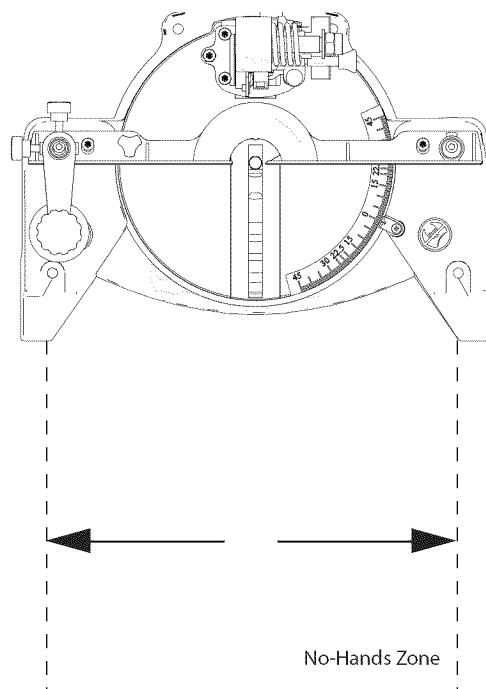
- Utilice soportes adicionales tales como caballetes o soportes con rodillos, etc., ajustados de modo que queden a la misma altura que la mesa de la sierra para evitar que las piezas grandes se vuelquen o se tuerzan durante el corte.
- No utilice a otra persona para agarrar o soportar una pieza de trabajo grande o con una forma irregular, o para ayudar a alimentar el material en la sierra.
- Al cortar piezas de trabajo con una forma irregular, planifique la secuencia de operaciones para asegurarse de reducir al máximo la posibilidad de que la pieza se quede unida a la hoja o de contragolpes.
- Sujete bien los materiales redondos o tubulares de modo que queden bien asegurados a la mesa de la sierra. Utilice una prensa de sujeción diseñada para la sujeción de este tipo de materiales.



Antes de cortar materiales metálicos hay que retirar la bolsa de recogida de polvo de la máquina. Vuelva a poner la bolsa de recogida de polvo cuando corte materiales de madera o de plástico.

⚠ ADVERTENCIA

No permita que la familiarización con la sierra ingletadora por un uso frecuente de la misma dé lugar a errores por descuidos. Un descuido de una fracción de segundo es suficiente para que se produzcan graves lesiones. Antes de cortar, si la sierra hace un ruido desconocido o vibra, párela inmediatamente. **APAGUE** la sierra. Desenchufe la sierra. No vuelva a iniciar las operaciones hasta que se haya descubierto y solucionado el problema.



(Fig. T)

⚠ ADVERTENCIA

POSICIÓN DEL CUERPO Y DE LAS MANOS (Fig. T).



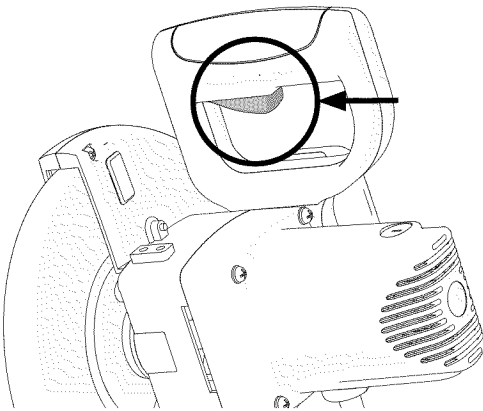
No ponga nunca las manos cerca o dentro de la “zona sin manos”. Hay unos pictogramas incluidos en la base de la máquina (ver más abajo) para recordarle al operador que debe seguir buenas prácticas de trabajo. Sitúese a un lado de la hoja. No fuerce la sierra. Deje que sea la velocidad de la hoja la que haga el trabajo.

PROTECTOR INFERIOR DE LA HOJA

NOTA: El funcionamiento del protector inferior de la hoja es automático. El protector de la hoja se desplegará y cubrirá completamente la hoja cuando el cabezal de corte sube a su posición de máxima altura.

Interruptor de gatillo de ENCENDIDO/ APAGADO (Fig. U)

El interruptor de gatillo de ENCENDIDO/
APAGADO se encuentra ubicado en el mango del cabezal de corte. Es del tipo que no queda trabado. Presione el interruptor de gatillo para poner en marcha el motor de la máquina. Suelte el interruptor para APAGAR el motor.

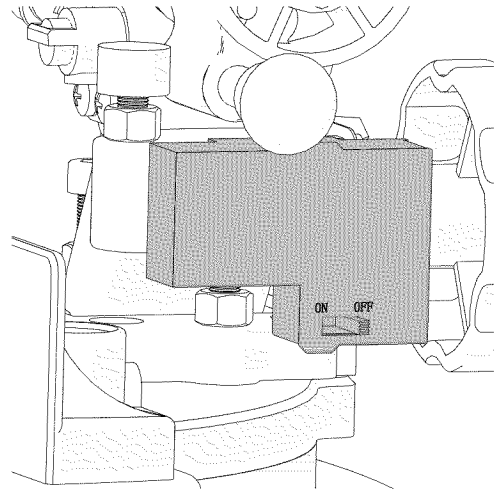


(Fig. U)

LA GUÍA LÁSER

Esta sierra está equipada con una guía de corte de láser que utiliza un haz de láser de Clase II. El rayo láser permite que el operador pueda ver previamente la trayectoria de la hoja de la sierra sobre la

pieza a cortar antes de poner en marcha la sierra. Esta guía láser se enciende con dos pilas 'AAA' colocadas en la caja para pilas que hay colocada a la derecha del cuello, justo debajo del pivote de corte. Para "encender" y "apagar" el LÁSER, active el interruptor de tecla basculante que hay sobre la caja para las pilas. (Fig. V)



(Fig. V)

NOTA: El funcionamiento del protector inferior de la hoja es automático. El protector de la hoja se desplegará y cubrirá completamente la hoja cuando el cabezal de corte sube a su posición de máxima altura.



ADVERTENCIA

Cuando la guía láser se enciende, se irradia un rayo láser. Evite el contacto directo de los ojos con el rayo láser. Desenchufe siempre la sierra de la fuente de alimentación antes de realizar cualquier tipo de ajuste. Etiqueta de

**advertencia de láser: Salida máx. <1mW
630-670nm. Conforme a las normas
21CFR 1040.10 y 1040.11.**



- El uso de instrumentos ópticos con este láser podría aumentar el peligro de riesgo para los ojos.
- No intente reparar ni desmontar el láser. Deje que todas las reparaciones las realice el Centro de Servicio Técnico de Sears.
- Utilice el láser en la forma especificada en el Manual de instrucciones únicamente. El uso del láser de cualquier forma distinta a la especificada en este Manual de instrucciones podría llevar a una exposición a una radiación peligrosa.

REALIZACIÓN DE UN CORTE BÁSICO



Asegúrese de que la pieza de trabajo esté firmemente fijada a la mesa de la sierra y en contacto con la guía y en la posición requerida antes de enchufar la sierra a una fuente de alimentación. Corte sólo una pieza cada vez.

- Con el interruptor en la posición “Apagado”, baje el cabezal de corte hasta la pieza de trabajo para observar la trayectoria de la hoja.
- Encienda también el láser para realizar una vista previa de la trayectoria de la hoja.
- Con el cabezal de corte en su posición superior, apriete el interruptor de gatillo para poner en marcha el motor.
- Deje que el motor y la hoja aceleren hasta alcanzar la velocidad máxima.
- Baje suavemente pero con firmeza el cabezal de corte a su posición más baja de corte de la pieza de trabajo.
- Suelte el interruptor de gatillo y deje que la hoja se pare por completo. Eleve el cabezal de corte a su posición superior con el protector cubriendo la hoja antes de retirar la mano del mango del cabezal de corte. Retire la pieza de trabajo sólo después de que el cabezal de corte esté en su posición superior con el protector de la hoja cubriendo la hoja y el motor parado.



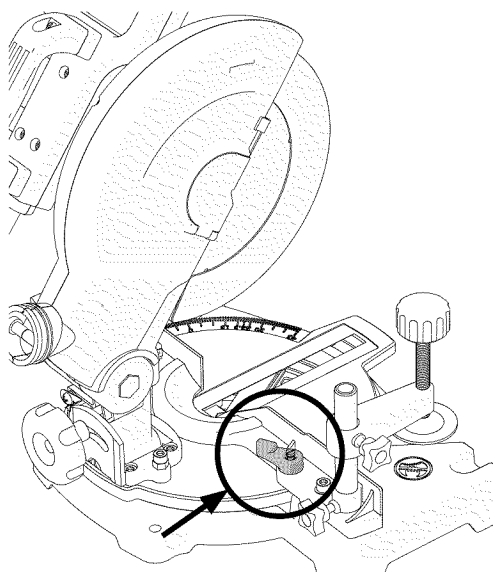
No deje nunca la sierra desatendida ni enchufada a una fuente de alimentación. Mantenga el taller a prueba de niños y cierre siempre el taller cuando se esté utilizando. Guarde la herramienta en un armario seguro y cerrado con llave o similar donde no puedan acceder los usuarios no cualificados ni los niños.

REALIZACIÓN DE UN CORTE EN INGLETE

Puede usarse cualquier ángulo desde 45° a la izquierda a 45° a la derecha y en la parte de la derecha mesa de la máquina hay una escala de escuadra.

- Afloje el tornillo bloqueo del ángulo de inglete. Éste se encuentra colocado en la parte de la izquierda de la mesa de la máquina justo detrás de la guía de la mesa.

(Fig. W)



(Fig. W)

NOTA: El tornillo de bloqueo del ángulo de inglete tiene una palanca con carga de resorte ajustable. Esto permite la reposición de la palanca sobre el tornillo de bloqueo. Dicha reposición puede resultar necesaria para que el tornillo se pueda apretar lo suficiente cuando se ajusta un ángulo de inglete.

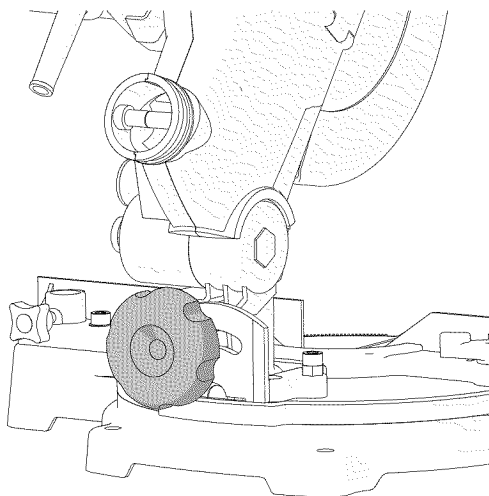
Para la reposición, suba la palanca y gírela hasta alcanzar un ángulo cómodo. Suelte la palanca.

- Gire la mesa al ángulo deseado según lo indicado en la escuadra de escala de ingletes.
- Bloquee la mesa en la posición correcta utilizando el tornillo de bloqueo.
- Ponga en marcha la sierra y deje que alcance la velocidad máxima de funcionamiento antes de realizar el corte. Proceda con la realización del corte según lo descrito anteriormente en REALIZACIÓN DE UN CORTE BÁSICO.

REALIZACIÓN DE UN CORTE EN BISEL (Fig. X)

El cabezal de corte se puede ajustar en cualquier ángulo de hasta 45° a hacia la izquierda únicamente.

El mango de bloqueo del ángulo de bisel se encuentra en la parte posterior de la máquina.



(Fig. X)

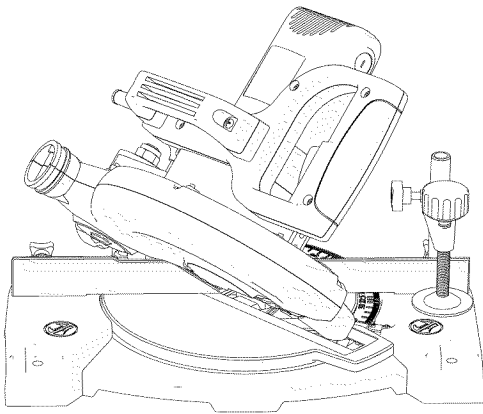
- Suelte el mango de bloqueo del bisel.
- Incline el cabezal de corte al ángulo deseado. Hay una guía de escuadra detrás del mango de bloqueo del bisel

para facilitar el ajuste.

- Asegúrese de que el mango esté firmemente apretado una vez alcanzado el ángulo requerido.

Proceda con la realización del corte según lo descrito anteriormente en REALIZACIÓN DE UN CORTE BÁSICO.

REALIZACIÓN DE UN CORTE COMPUESTO (Fig. Y)



(Fig. Y)

Un corte compuesto es una combinación de un corte en inglete y de un corte en bisel. Seleccione el ángulo de inglete requerido según lo descrito anteriormente en

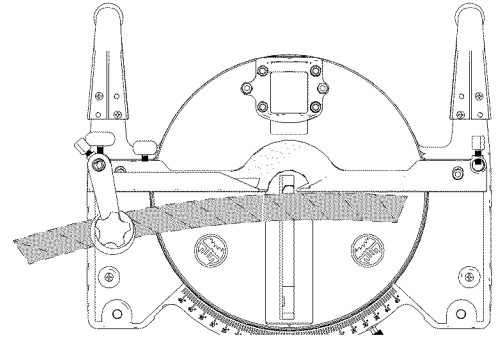
REALIZACIÓN DE UN CORTE EN INGLETE

- Seleccione el ángulo de bisel requerido según lo descrito anteriormente en REALIZACIÓN DE UN CORTE EN BISSEL.
- Asegúrese de que todos los tornillos de

ajuste/bloqueo estén bien apretados antes de la realización de un corte.

CORTE DE MATERIALES CURVADOS

Antes de cortar cualquier pieza de trabajo, obsérvela para ver si está curvada. Si está curvada, la pieza de trabajo debe colocarse y cortarse tal como se ilustra. (Fig. Z)



(Fig. Z)

CORTE DE LA CERÁMICA

NOTA: Este artesano de la CMS, se puede con la atención del operador, cortar la mayor parte no acristalada baldosas de cerámica. La hoja normal se necesita ser cambiado por un 8 1/4 de azulejos especialista en corte de diamante de la hoja.

Marcar el corte que se hizo en el azulejo utilizando un escribano mosaico adecuado, y el corte a lo largo del perder el lado de esta línea.

Tome todas las precauciones necesarias para gestionar cualquier riesgo de polvo creado durante el corte.

Para evitar lesiones, nunca lubrique la hoja mientras gira.

ADVERTENCIA

- Para evitar incendios o reacciones tóxicas, nunca utilice gasolina, nafta, acetona, diluyentes de lacas ni ningún otro disolvente altamente volátil similar para limpiar la sierra ingletadora.
- Para evitar lesiones como consecuencia de una puesta en marcha inesperada o de una descarga eléctrica, desenchufe el cable de alimentación antes de trabajar en la sierra.
- Por su propia seguridad, esta sierra tiene un aislamiento doble. Para evitar descargas eléctricas, incendios o lesiones, utilice únicamente piezas idénticas a las identificadas en el diagrama esquemático.

COMPROBACIÓN Y REEMPLAZO DE LAS ESCOBILLAS DE CARBÓN (Fig. AA)

Reemplace las dos escobillas de carbón cuando tengan menos de $\frac{1}{4}$ " de carbón restante a lo largo o si el resorte o el cable están dañados o quemados.

Para retirar las escobillas:

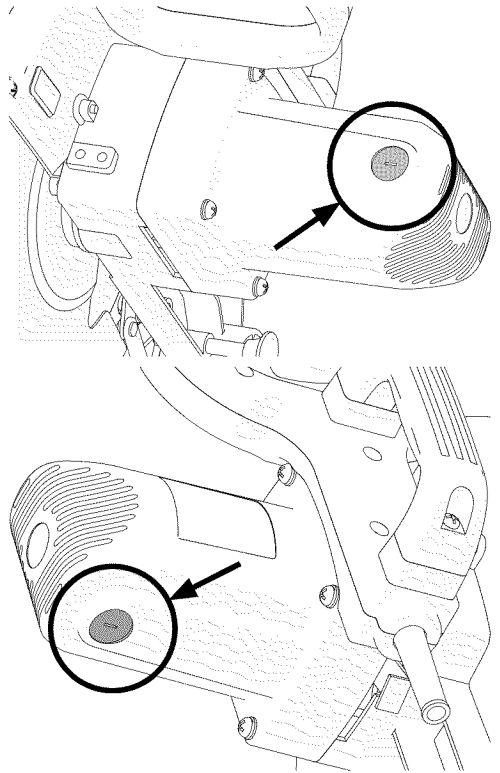
Desatornille los capuchones de plástico que se encuentran en la parte posterior del motor. Tenga cuidado con los capuchones ya que están cargados por resorte.

Retire las escobillas con sus resortes.

Si el reemplazo resulta necesario, introduzca escobillas nuevas y reemplace los capuchones.

NOTA: Las escobillas usadas pero utilizables se pueden reemplazar pero sólo si se introducen en la misma posición que estaban cuando se extrajeron de la máquina.

- Ponga en funcionamiento las escobillas nuevas sin carga durante 5 minutos aproximadamente. Esto ayudará durante el proceso de rodaje



(Fig AA). Diagramas en los que se muestran los capuchones superior e inferior del cepillo.

PROTECTOR INFERIOR DE LA HOJA

ADVERTENCIA

No utilice la sierra si el protector inferior de la hoja está dañado o no funciona correctamente. Si el protector está dañado o no funciona, hay que reemplazarlo antes de utilizar la sierra. El rendimiento y el funcionamiento seguro de los protectores de repuesto se deben probar con la máquina desconectada de la fuente de alimentación. El protector funciona automáticamente cuando se sube o se baja el cabezal de corte.

El tornillo de retención del brazo de accionamiento del protector y el pivote se deben lubricar con frecuencia con aceite para máquinas ligero. Compruebe que el anillo de retención esté bien apretado, sobre todo después de haber cambiado una hoja.

Consulte la sección **INSTALACIÓN o EXTRACCIÓN DE LA HOJA** en la página 19.

BOLSA DE RECOGIDA DE POLVO

Para mantener la eficacia de extracción, vacíe la bolsa de recogida de polvo cuando esté 2/3 llena aproximadamente. Deseche el contenido de forma responsable con el medio ambiente. La bolsa tiene una abertura con una cremallera lateral.

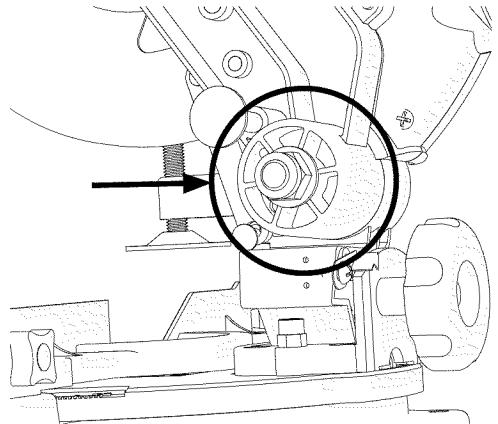
No utilice la bolsa cuando corte materiales metálicos.

LUBRICACIÓN

Todos los cojinetes del motor de esta herramienta están lubricados con una cantidad suficiente de lubricante de grado alto suficiente para toda la vida útil de la unidad bajo condiciones de funcionamiento normales. Por consiguiente, no es necesario volver a lubricarlos.

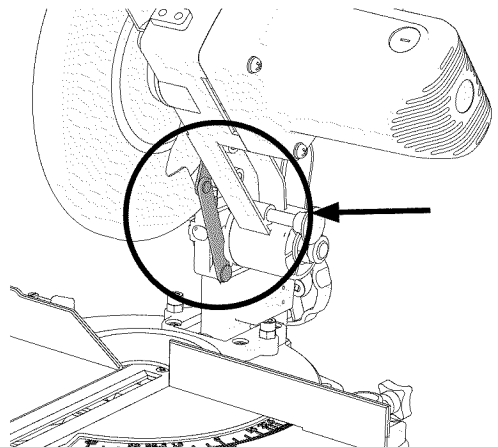
Lubrique lo siguiente según sea necesario:

Pivote de corte (Fig. BB): Aplique aceite para máquinas ligero en el perno de pivote.



(Fig. BB)

Brazo de accionamiento del protector inferior (Fig. CC): Aplique aceite para máquinas ligero en el anillo de retención y en el punto de conexión del pivote del brazo de accionamiento.



(Fig. CC)

GUÍA DE SOLUCIÓN DE PROBLEMAS



Para evitar lesiones como consecuencia de una puesta en marcha accidental, **APAGUE** siempre el interruptor y **desenchufe** la máquina antes de realizar cualquier tarea de mantenimiento o de realizar cualquier ajuste en la sierra ingletadora.

GUÍA DE SOLUCIÓN DE PROBLEMAS - MOTOR

PROBLEMA	CAUSA DEL PROBLEMA	MEDIDAS CORRECTIVAS SUGERIDAS
El motor no arranca.	<ol style="list-style-type: none">1. Hay un fusible fundido o ha disparado un disyuntor en el panel principal2. Las escobillas del motor están desgastadas.	<ol style="list-style-type: none">1. Compruebe que hay corriente eléctrica en la toma de corriente. <p>Reemplace las escobillas. Véase la sección MANTENIMIENTO</p>
Saltan chispas de las escobillas cuando se suelta el interruptor	<ol style="list-style-type: none">1. Las escobillas están desgastadas2. Otros	<ol style="list-style-type: none">1. Reemplace las escobillas. Véase la sección MANTENIMIENTO2. Póngase en contacto con el Centro de Servicio Técnico de Sears

GUÍA DE SOLUCIÓN DE PROBLEMAS - FUNCIONAMIENTO DE LA SIERRA

PROBLEMA	CAUSA DEL PROBLEMA	MEDIDAS CORRECTIVAS SUGERIDAS
La hoja golpea la mesa o el inserto de la mesa.	1. La hoja está mal instalada..	1. Compruebe la instalación de la hoja. Véase la sección INSTALACIÓN o EXTRACCIÓN DE UNA HOJA.
El cabezal de corte se tambalea	1. El perno de pivote está flojo.	1. Póngase en contacto con el Centro de Servicio Técnico de Sears.
El cabezal de corte no sube completamente o el protector de la hoja está totalmente cerrado.	1. El resorte del pivote está defectuoso, dañado o roto. 2. Acumulación de escombros	1. Póngase en contacto con el Centro de Servicio Técnico de Sears. 2. Limpie los escombros y lubrique los pivotes del brazo de funcionamiento del protector. Véase la sección MANTENIMIENTO.
La hoja se que queda unida, se atasca o quema la pieza de trabajo	1. La hoja está desafilada, dañada o deformada. 2. La hoja montada no es apropiada. 3. Funcionamiento incorrecto. 4. La pieza de trabajo no está bien asegurada.	1. Reemplace la hoja. Véase la sección INSTALACIÓN o EXTRACCIÓN DE UNA HOJA. 2. Como arriba 3. Véase la sección OPERACIONES BÁSICAS DE LA SIERRA. 4. Asegure la pieza de trabajo a la mesa y a la guía con una prensa de sujeción o similar.
Vibración excesiva.	1. La hoja de la sierra está dañada, suelta o no está equilibrada. 2. El perno del árbol está flojo	1. Reemplace la hoja. Véase la sección INSTALACIÓN o EXTRACCIÓN DE UNA HOJA. 2. Apriete el perno del árbol. Véase arriba.

Get it fixed, at your home or ours

Your Home

For troubleshooting, product manuals and expert advice:



www.managemylife.com

For repair – **in your home** – of **all** major brand appliances, lawn and garden equipment, or heating and cooling systems, **no matter who made it, no matter who sold it!**

For the replacement parts, accessories and owner's manuals that you need to do-it-yourself.

For Sears professional installation of home appliances and items like garage door openers and water heaters.

1-800-4-MY-HOME[®] (1-800-469-4663)

Call anytime, day or night (U.S.A. and Canada)

www.sears.com www.sears.ca

Our Home

For repair of carry-in items like vacuums, lawn equipment, and electronics, call anytime for the location of your nearest

Sears Parts & Repair Service Center

1-800-488-1222 (U.S.A.) **1-800-469-4663** (Canada)

www.sears.com

www.sears.ca

To purchase a protection agreement on a product serviced by Sears:

1-800-827-6655 (U.S.A.) **1-800-361-6665** (Canada)

Para pedir servicio de reparación a domicilio, y para ordenar piezas:

1-888-SU-HOGAR[®]

(1-888-784-6427)

www.sears.com

Au Canada pour service en français:

1-800-LE-FOYER^{MC}

(1-800-533-6937)

www.sears.ca

The Sears logo, consisting of the word "sears" in a lowercase, serif font.

® Registered Trademark / TM Trademark of KCD IP, LLC in the United States, or Sears Brands, LLC in other countries

® Marca Registrada / TM Marca de Fábrica de KCD IP, LLC en Estados Unidos, o Sears Brands, LLC in otros países

^{MC} Marque de commerce / ^{MD} Marque déposée de Sears Brands, LLC