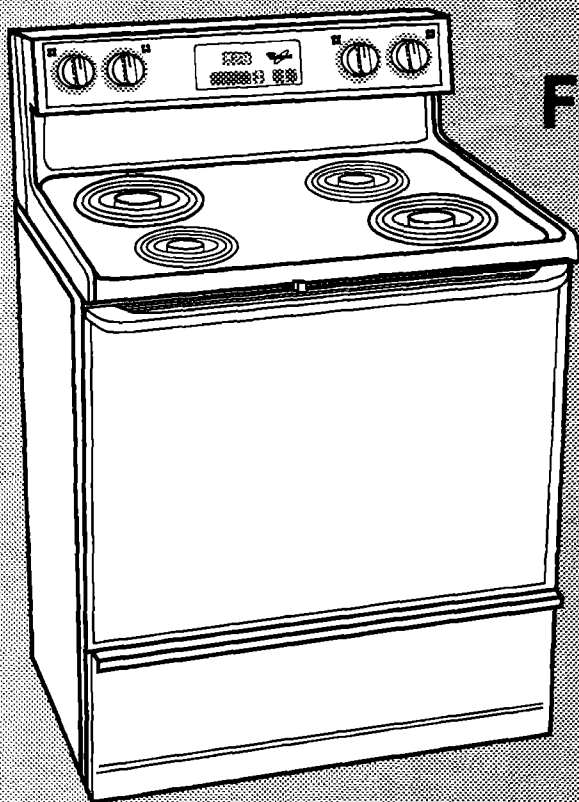


Installation Instructions



30" Electric Freestanding Range



⚠ WARNING

Injury Hazard

All ranges can tip.

Install anti-tip device packed with range. See Installation Instructions.

Failure to do so could result in injury.

Quick Reference

Table of Contents:

Pages

- 1** Before you start
- 1** Product dimensions
- 1** Cabinet dimensions/requirements
- 2** Electrical requirements
- 2 - 5** Installation steps

Back cover If range does not operate

Back cover If you need assistance/service

Back cover Moving the range

If you need assistance:

Check your Use and Care Guide for a toll-free number to call or call the dealer from whom you purchased this appliance. The dealer is listed in the Yellow Pages of your phone directory under "Appliances — Household — Major — Service and Repair."

Call when you:

- Have questions about range installation or operation.
- Need to obtain the name and number of an authorized service company.

When you call, you will need:

- The range model number.
- The range serial number.

Both numbers are listed on the model/serial rating plate, located on the oven frame behind the oven door.

IMPORTANT:

Read and save these instructions.

IMPORTANT:

Installer: Leave Installation Instructions with the homeowner.

Homeowner: Keep Installation Instructions for future reference.

Save Installation Instructions for local electrical inspector's use.

Before you start...

Important: Observe all governing codes and ordinances.

Proper installation is your responsibility. A qualified technician must install this range. Make sure you have everything necessary for correct installation. It is the installer's responsibility to comply with installation clearances specified on the model/serial rating plate. The model/serial rating plate is located on the oven frame behind the oven door.

Check location where range will be installed. The range should be located for convenient use in kitchen.

ALL OPENINGS IN THE WALL OR FLOOR WHERE RANGE IS TO BE INSTALLED MUST BE SEALED.

Cabinet opening dimensions that are shown must be used. Given dimensions are minimum clearances.

Grounded electrical outlet is required. See "Electrical requirements," Page 2.

⚠ WARNING



Electrical Shock Hazard

It is the customer's responsibility to contact a qualified electrical installer; and to make sure that the electrical installation is adequate and in conformance with National Electrical Code, ANSI/NFPA 70 — latest edition*, and all local codes and ordinances.

Failure to do so could result in death or serious injury.

Injury Hazard

To eliminate the risk of burns or fire, avoid installing cabinet storage above the cooking surface. If cabinets are already installed, reduce the hazard of reaching over a heated cooking surface by installing a range hood. The range hood should extend a minimum of 5 inches out from the bottom front of the cabinets.

Reaching over a heated cooking surface could result in a serious burn or other injury.

Mobile home installation

The installation of this range must conform with the Manufactured Home Construction and Safety Standard, Title 24 CFR, Part 3280 [formerly the Federal Standard for Mobile Home Construction and Safety, Title 24, HUD (Part 280)] or, when such standard is not applicable, the Standard for Manufactured Home Installations, ANSI A225.1/NFPA 501A, or with local codes.

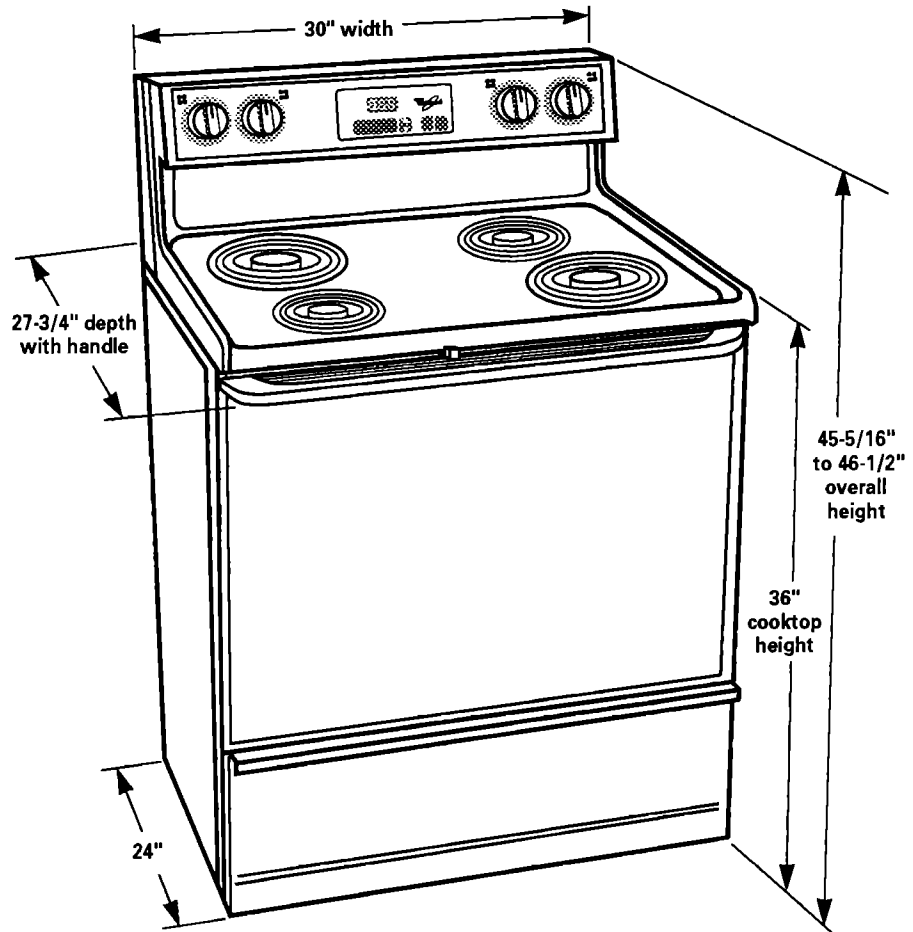
When this range is installed in a mobile home, it must be secured to the floor during transit. Any method of securing the range is adequate as long as it conforms to the standards listed above.

Four-wire power supply cable must be used in a mobile home installation. The appliance wiring will need to be revised. See four-wire electrical connection, Page 3.

Copies of the standards listed may be obtained from:

* National Fire Protection Association
Batterymarch Park
Quincy, Massachusetts 02269

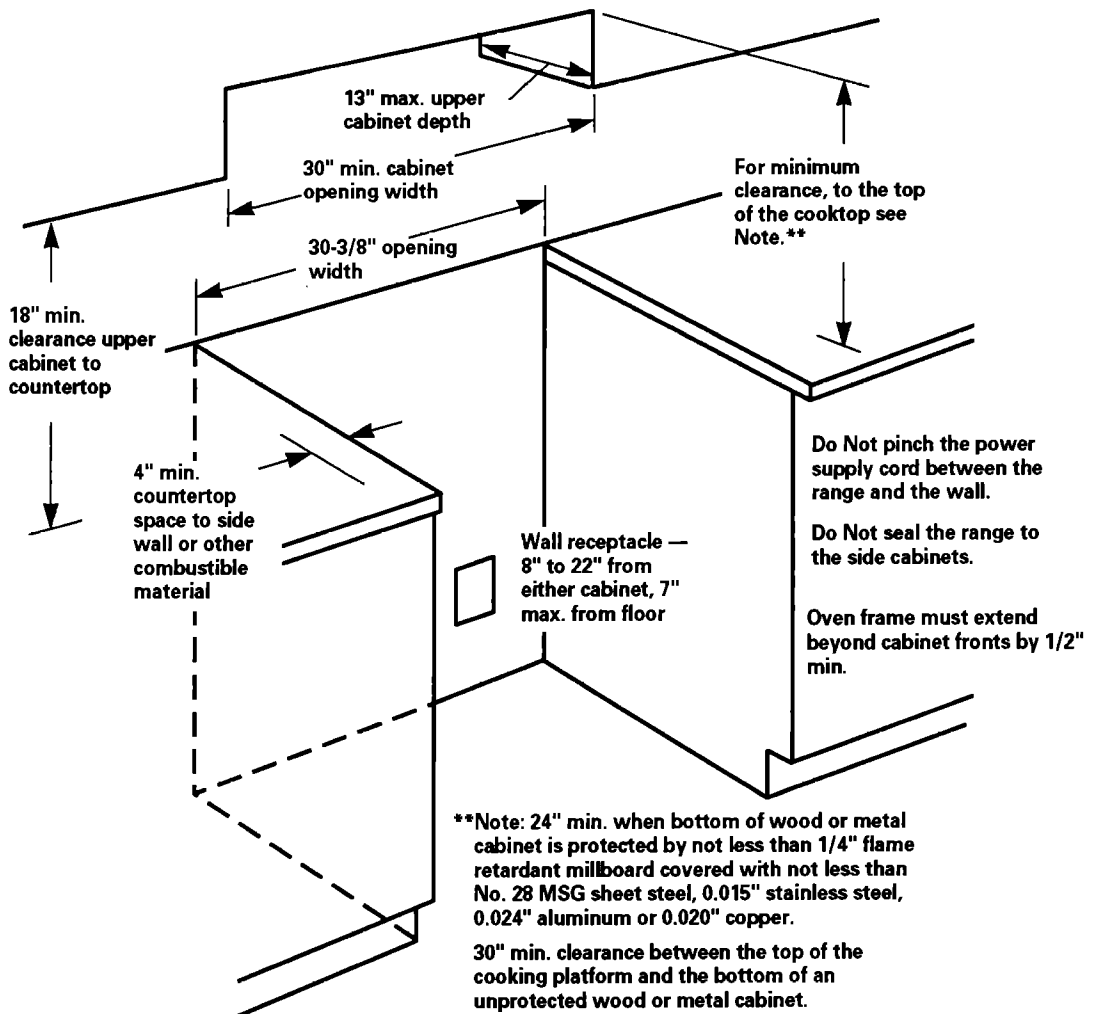
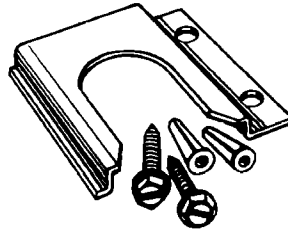
Product dimensions



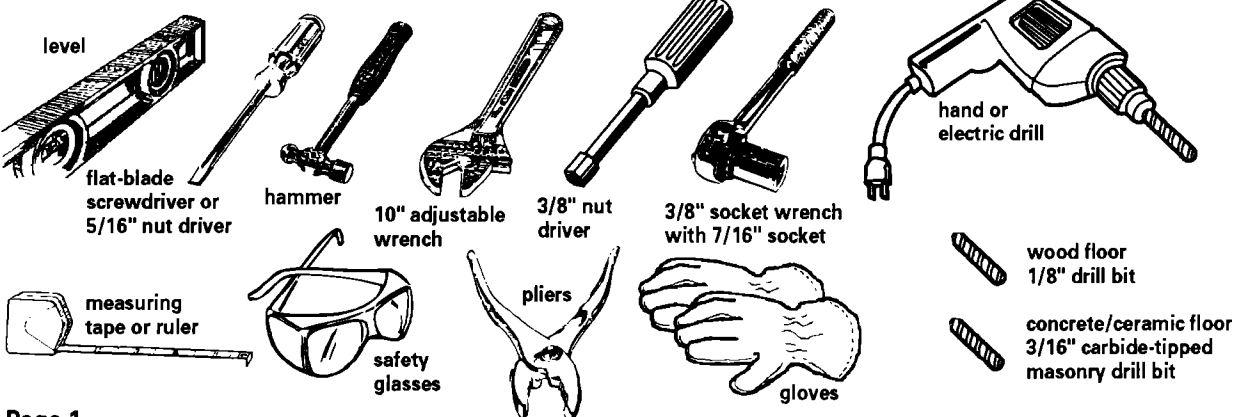
Cabinet dimensions/requirements

Anti-tip bracket

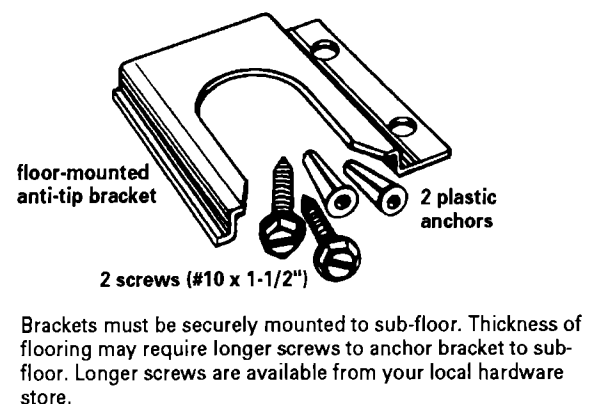
The floor mounted anti-tip bracket or an optional tether kit **MUST** be installed. To install the anti-tip bracket shipped with the range, see Page 2 and the anti-tip bracket template/instruction sheet. If this bracket cannot be used, a wall-mounted anti-tip tether kit, Part No. 814234, is available from your dealer.



Tools needed:



Parts supplied:



Electrical requirements

Power supply cord is not supplied, but is available through your local electrical supply house.

⚠ WARNING



Electrical Shock Hazard

Electrical ground is required on this appliance.

Do Not ground to a gas pipe.

Do Not change the power supply cord plug. If it does not fit the outlet, have a proper outlet installed by a qualified electrician.

Do Not have a fuse in the neutral or grounding circuit. A fuse in the neutral or grounding circuit could result in electrical shock.

Do Not use an extension cord with this appliance.

Check with a qualified electrician if you are in doubt as to whether the appliance is properly grounded.

Failure to follow these instructions could result in death or serious injury.

If codes permit and a separate grounding wire is used, it is recommended that a qualified electrician determine that the grounding path is adequate.

Range must be connected to the proper electrical voltage and frequency as specified on the model/serial rating plate. (The model/serial rating plate is found on the oven frame behind the oven door.)

☑ CONNECT WITH COPPER WIRE ONLY.

☑ A three-wire or four-wire, single-phase, 120/240-volt, 60-Hz, AC-only, electrical supply (or three-wire or four-wire 120/208-volt if specified on the model/serial rating plate) is required on a separate, 40-ampere circuit, fused on both sides of the line.

☑ A time-delay fuse or circuit breaker is recommended.

☑ Local codes may permit the use of a U.L.-listed, 250-volt, 40-ampere range power supply cord (pigtail). This cord contains three, No.-10 copper wires and matches a three-wire receptacle of NEMA Type 10-50R, shown in Figure 1. Connectors on the appliance end must be provided at the point the power supply cord enters the appliance.

☑ The range can be connected directly to the fused disconnect (or circuit breaker box) through flexible, armored or non-metallic sheathed, copper cable (with grounding wire). Allow two to three feet of slack in the line so that it can be moved if servicing is ever necessary.

A U.L.-listed conduit connector must be provided at each end of the power supply cable (at the appliance and at the junction box).

Wire sizes (COPPER WIRE ONLY) and connections must conform with the rating of the appliance (40-ampere).

☑ The wiring diagram is located on the back of the range or on the inside of the storage drawer in a clear plastic bag.

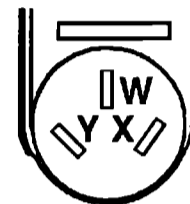
If connecting to a four-wire system:

This appliance is manufactured with the ground connected to the cabinet. **The ground must be revised** so the green grounding wire of the four-wire power cord is connected to the cabinet. See "Four-wire electrical connection," section, Page 3.

When a four-wire receptacle of NEMA Type 14-50R is used (see Figure 2), a matching U.L.-listed, four-wire, 250-volt, 40-ampere, range power supply cord (pigtail) must be used. This cord contains four copper conductors with ring terminals at the appliance end, terminating in a NEMA Type 14-50P plug on the supply end. The fourth (grounding) conductor must be identified by a green or green/yellow cover and the neutral conductor by a white cover. Cord should be Type SRD or SRDT with a U.L.-listed strain relief and be at least four feet long.

The MINIMUM conductor sizes for the copper four-wire power cord are:

- 40-ampere circuit
- 2, No.-8 conductors
- 1, No.-10 white neutral
- 1, No.-8 green grounding



3-wire wall receptacle (10-50R)

Figure 1



4-wire wall receptacle (14-50R)

Figure 2

Installation steps

A Preparation

⚠ WARNING

Injury Hazard

Because of the weight and size of this range, two or more people are required to move it.

Do Not use handle for lifting.

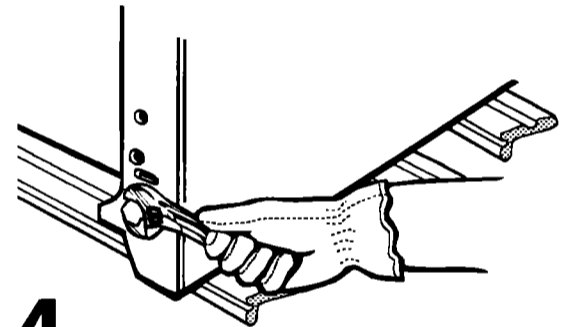
Failure to follow these instructions could result in injury and/or product damage.

When moving range, slide range onto cardboard or hardboard to prevent damaging the floor covering.

1. Put on safety glasses and gloves. Remove shipping materials, tape and protective film from range. Keep cardboard bottom and shipping base under range. Remove oven racks and parts package from inside oven.

2. Take three cardboard corners from the carton and place them widthwise on the floor behind the range — to support the range when it is laid on its back. Do Not place a cardboard corner under the area where the control panel will lie. Firmly grasp the range and gently lay it on its back on the cardboard corners.

3. Use 7/16" socket wrench to remove two shipping bolts from the skid. Discard skid and bolts.



4. Use a 10" adjustable wrench to loosen the leveling legs four complete turns.

5. Place cardboard or hardboard in front of range. Stand range back up.

B Anti-tip bracket installation

⚠ WARNING



Electrical Shock

Take special care when drilling holes in the floor or wall. Electrical wires may be located beneath the floor or behind the wall.

Locate the electrical circuits that could be affected by the installation of the anti-tip bracket and turn off power to these circuits.

Failure to follow these instructions could result in death or serious injury.

Injury Hazard

To reduce the risk of tipping of the appliance, the appliance must be secured by a properly installed floor-mounted anti-tip bracket, supplied with the range, or optional wall-mounted anti-tip tether kit.

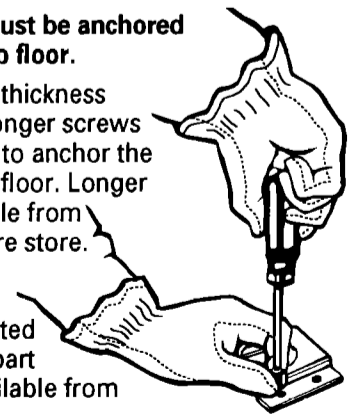
Save these Installation Instructions. If the range is moved to a new location, the anti-tip bracket must be removed and reinstalled in the new location.

Failure to follow these instructions could result in injury.

6. Use the anti-tip bracket template/instruction sheet to install the anti-tip bracket.

Anti-tip bracket must be anchored securely to the sub floor.

Depending on the thickness of your flooring, longer screws may be necessary to anchor the bracket to the sub floor. Longer screws are available from your local hardware store. If the anti tip bracket cannot be used, a wall-mounted anti-tip tether kit, part No. 814234, is available from your dealer.



Before moving range across floor, slide range onto cardboard or hardboard to protect floor covering.

7. Move range close to final operating position.

Contact a qualified floor covering installer for the best procedure of drilling mounting holes through your type floor covering.

E Electrical connection

WARNING



Electrical Shock Hazard

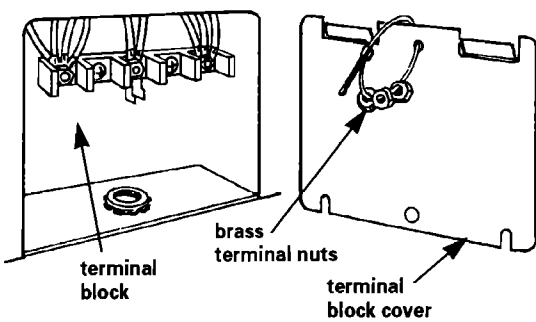
Electrical ground is required on this appliance.

Do Not connect to the electrical supply until the appliance is permanently grounded.

Disconnect the power to the junction box before making the electrical connection.

This appliance must be connected to a grounded, metallic, permanent wiring system or a grounding connector should be connected to the grounding terminal or wire lead on the appliance.

Failure to do so could result in death or serious injury.

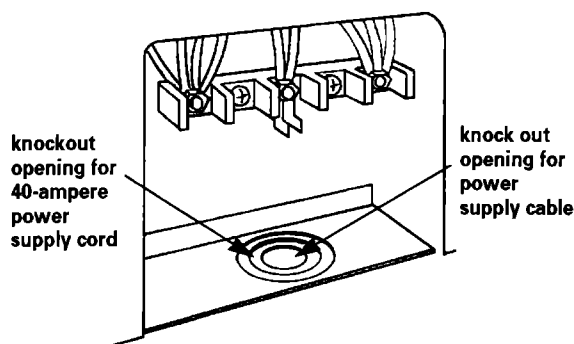


8 Remove the terminal block cover located on the back of range.

9 Depending on your electrical supply, make the three-wire or four-wire connection following the "Power supply cord method" or "Direct wire method" instructions.

Power supply cord method:

This appliance is manufactured with the neutral terminal connected to the cabinet. Use a three-wire, U.L.-listed, 40-ampere power supply cord (pigtail); or if local codes Do Not permit grounding through the neutral, use a four-wire power supply cord rated at 250 volts, 40-amperes and investigated for use with ranges. (See "Four-wire electrical connection.")



1. Disconnect the power supply.
2. Remove the knockout for the 40-ampere power supply cord.
3. Assemble a U.L.-listed strain relief in the opening.
4. Insert the power supply cord through the strain relief, allowing enough slack to easily attach the wiring to the terminal block.
5. Use only ring-type terminals to connect the power supply. To secure the power supply cord, use the 3/8" brass nuts attached to the terminal block cover. Be sure nuts are installed tight.
6. Complete electrical connection according to your type electrical supply ("Three-wire electrical connection" or "Four-wire electrical connection.")

Three-wire electrical connection:

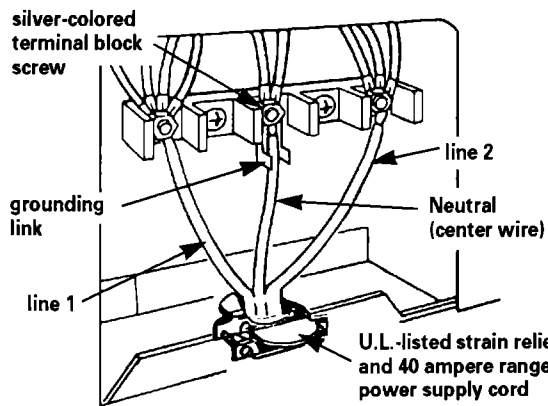


Figure 3

Use this method **ONLY** if local codes PERMIT connecting cabinet-grounding conductor to neutral wire of power supply cord.

7. Use the brass terminal nuts attached to the terminal block cover to connect the neutral wire (center wire) to the silver-colored terminal screw on the terminal block. See Figure 3.
8. Connect the other two wires to outer terminal screws on the terminal block. See Figure 3.
9. **Do Not loosen factory-installed nuts already on the terminal.** Tighten nuts with 3/8" nut driver for proper electrical connection.
10. Tighten the strain relief screws.
11. Reinstall the terminal block cover.
12. Plug power supply cord into grounded electrical outlet.

Four-wire electrical connection:

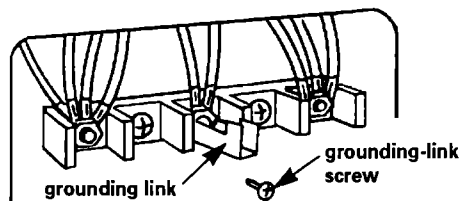


Figure 4

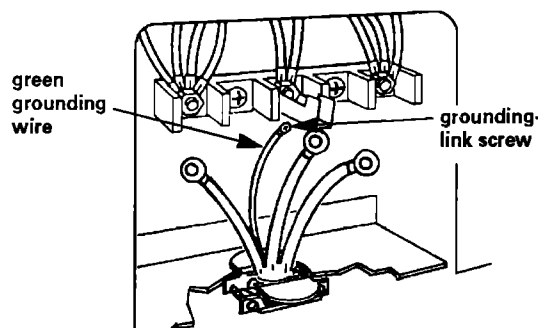


Figure 5

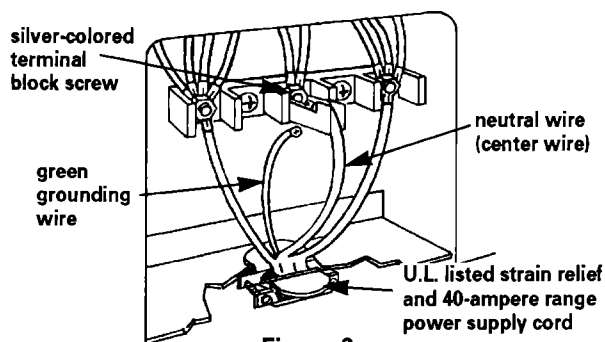


Figure 6

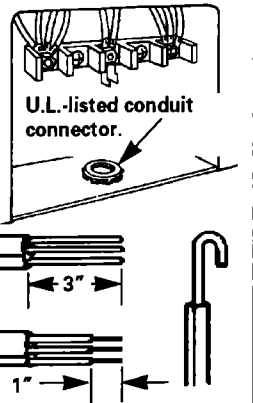
Use this method for mobile homes and whenever four-wire installation is required.

7. Remove the grounding-link screw from the range frame. Save the grounding-link screw. Bend up the grounding link so that it does not contact the range. See Figure 4.
8. Connect the green grounding wire from power supply cord to the range using the grounding-link screw. **The grounding wire must be attached first and must not contact any other terminal.** See Figure 5.
9. Connect the neutral (center wire) wire to the center, silver-colored terminal screw on the terminal block using the brass nuts that are attached to the terminal block cover. See Figure 6.
10. Connect the other two wires to the outer terminals on the terminal block. See Figure 6.
11. **Do Not loosen the factory installed nuts already on the terminal.** Tighten nuts with 3/8" nut driver for proper electrical connection.
12. Tighten the strain relief screws.
13. Replace the terminal block cover.
14. Plug power supply cord into grounded electrical outlet.

Direct wire method:

This appliance may be connected directly to the fuse disconnect or circuit breaker box; or with a U.L.-listed, 40-ampere range power supply cord (pigtail). Depending on your electrical supply, make the required three-wire or four-wire connection.

1. Disconnect the power supply.
2. Remove the knock-out for the power supply cable.
3. Assemble a U.L.-listed conduit connector in the power supply cable opening.
4. Strip outer covering back 3 inches from end, exposing the wires. Strip the insulation back 1 inch from the end of the each wire.
5. Form the bare wire into a "U" shaped hook.
6. Insert the power supply cable through the conduit connector, allowing enough slack to easily attach the wiring terminal block.
7. Complete electrical connection according to your type electrical supply ("Three-wire electrical connection" or "Four-wire electrical connection.")



Three-wire electrical connection:

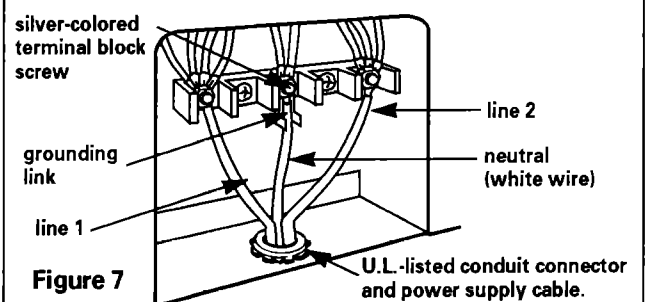


Figure 7

Use this method **ONLY** if local codes PERMIT connecting cabinet-grounding conductor to neutral wire of power supply cable.

8. Use the brass terminal nuts attached to the terminal block cover to connect the neutral wire (white wire) to the silver-colored terminal screw on the terminal block. See Figure 7.
9. Connect the other two wires to outer terminal screws on the terminal block. See Figure 7.
10. **Do Not loosen factory-installed nuts already on the terminal.** Tighten nuts with 3/8" nut driver for proper electrical connection.
11. Tighten the locking ring and clamping screws of the conduit connector.
12. Reinstall the terminal block cover.

Four-wire electrical connection:

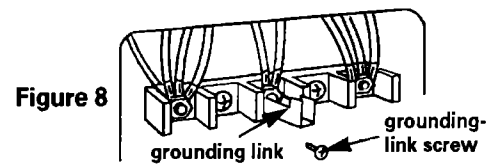


Figure 8

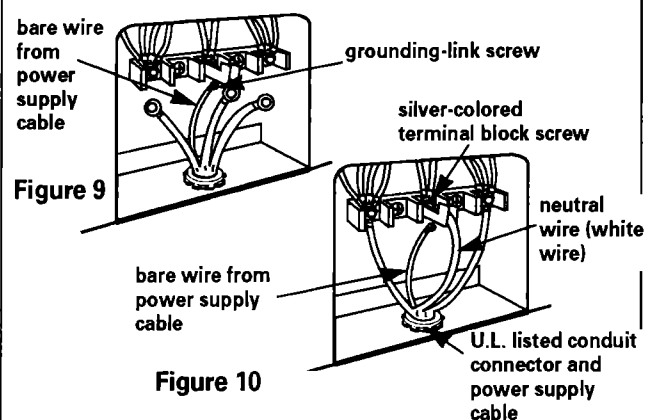
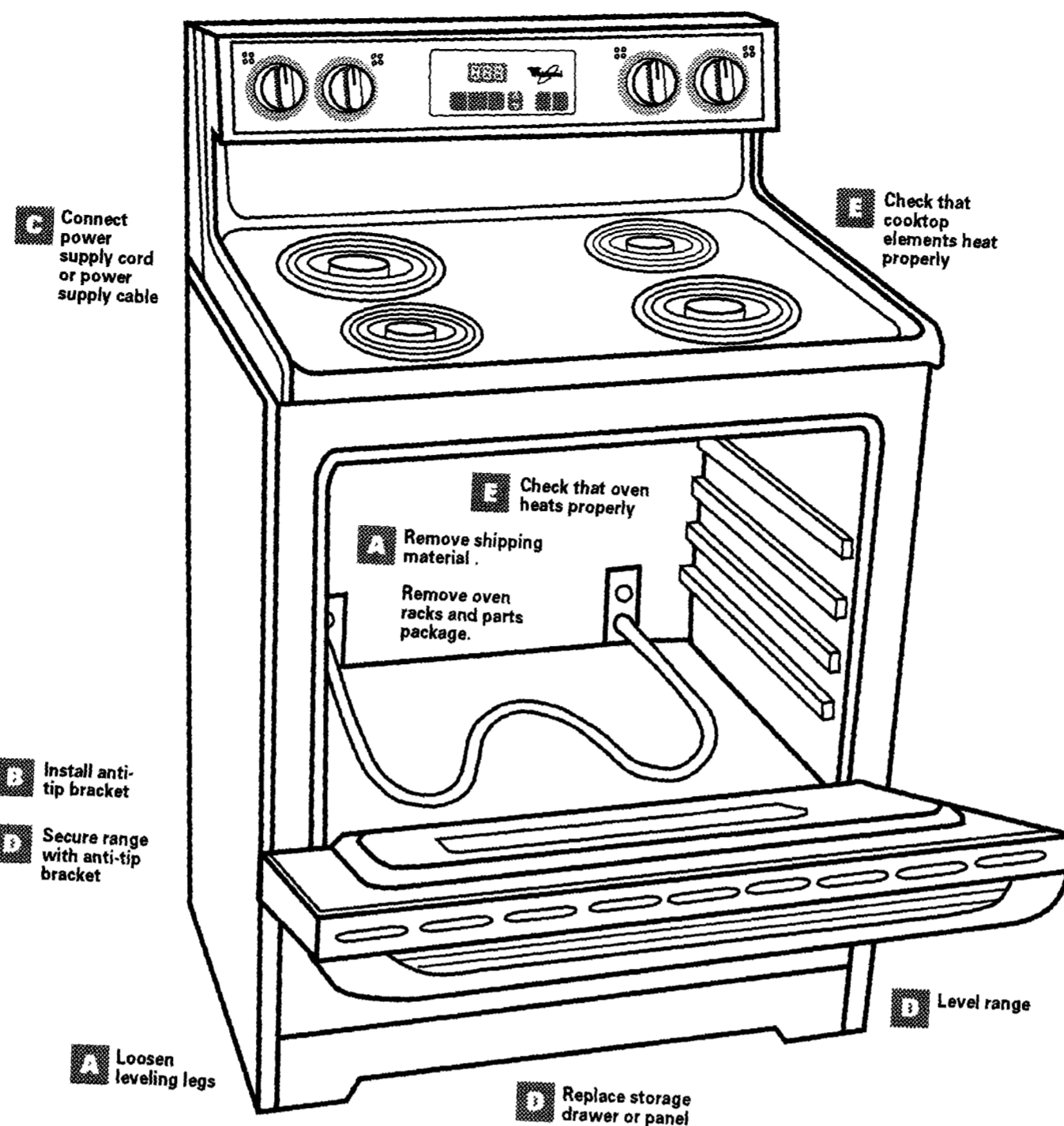


Figure 9

Use this method for mobile homes and whenever four-wire installation is required.

8. Remove the grounding-link screw from the range frame. Save the grounding-link screw. Bend up the grounding link so that it does not contact the range. See Figure 8.
9. Connect the bare grounding wire from power supply cable to the range using the grounding-link screw. **The grounding wire must be attached first and must not contact any other terminal.** See Figure 9.
10. Connect the neutral (white wire) wire to the center, silver-colored terminal screw on the terminal block using the brass nuts that are attached to the terminal block cover. See Figure 10.
11. Connect the other two wires to the outer terminals on the terminal block. See Figure 10.
12. **Do NOT loosen the factory installed nuts already on the terminal.** Tighten nuts with 3/8" nut driver for proper electrical connection.
13. Tighten the locking ring and clamping screws of the conduit connector.
14. Replace the terminal block cover.



C Connect power supply cord or power supply cable

E Check that cooktop elements heat properly

E Check that oven heats properly

A Remove shipping material.

Remove oven racks and parts package.

F Install anti-tip bracket

B Secure range with anti-tip bracket

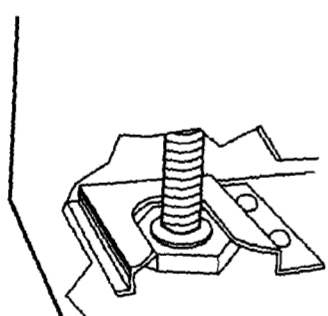
A Loosen leveling legs

D Level range

B Replace storage drawer or panel

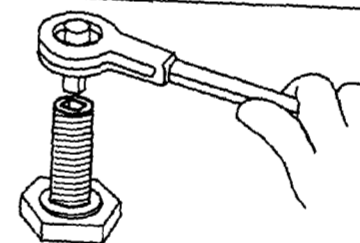
D Operating position

10. Move the range into final operating position. Remove cardboard or hardboard from under range.



11. Remove storage drawer or lower panel and check that rear leg is engaged in anti-tip bracket.

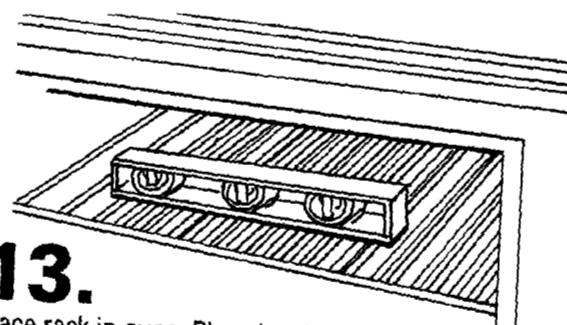
12. If installing the range in a mobile home, you MUST secure the range to the floor. Any method of securing the range is adequate as long as it conforms to the standards in the "Mobile home installation instructions," Page 1.



If range is not level, pull range forward until rear leveling leg is removed from the anti-tip bracket. Remove covers from front leveling legs. Insert the square drive of a 3/8" socket wrench into the top of leveling legs or use a 10" adjustable wrench to adjust leveling legs up or down until range is level. Reinstall covers on front leveling legs.

Push range back into position. Check that the rear leveling leg is engaged in the anti-tip bracket.

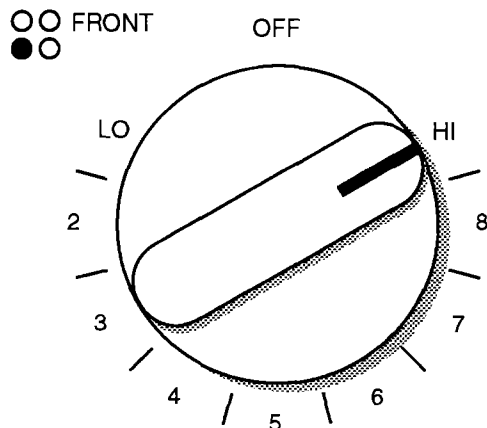
Note: Oven must be level for satisfactory baking conditions.



13. Place rack in oven. Place level on rack, first side to side; then front to back.

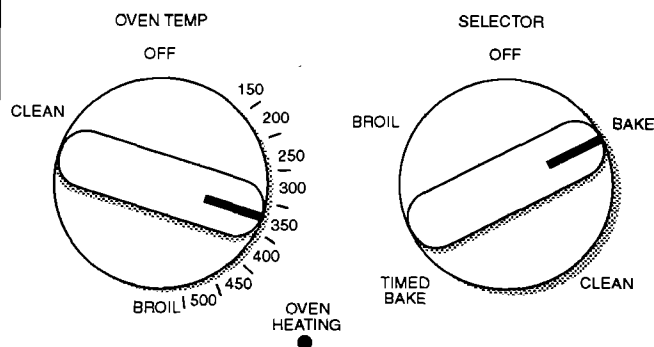
14. Replace the storage drawer or lower panel.

E Check operation



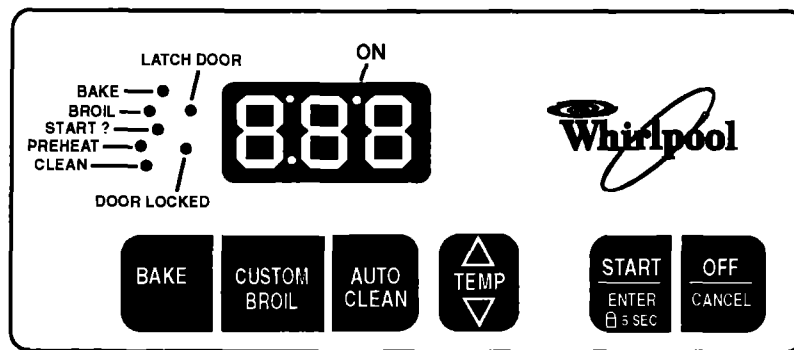
15. Check the operation of the cooktop elements: Push in and turn each surface unit control knob to "HI" position. Check the operation of the cooktop elements and indicator lights.

16. Check the operation of the oven and broil elements: Follow the instructions for your type oven controls.



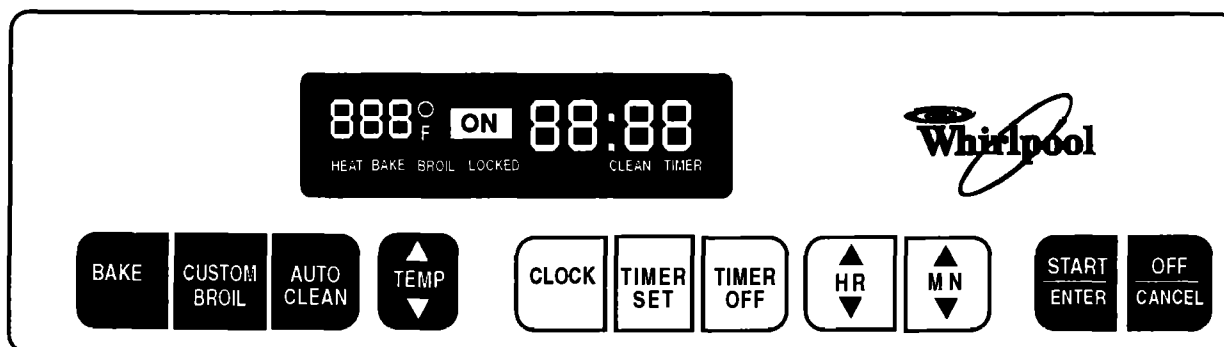
If your range has oven selector and temperature control knobs:

- Set the oven selector control to "BAKE" and the oven temperature control to 350°F.
 - The bottom elements should glow red and the indicator light should be on.
 - The upper element should become hot but not glow red. The oven indicator light goes off when the oven is preheated.
- Set the oven selector control to "BROIL" and the oven temperature control to "BROIL."
 - The upper element should glow red and the indicator light should be on.
- Turn the control knobs to the "OFF" position.



If your oven has electronic control pads only (no timer):

- Press the "BAKE" pad.
 - The "BAKE" indicator and "350°F" will appear in the display.
 - The "START ?" indicator will begin to flash.
- Press the START/ENTER pad.
 - The "PREHEAT," "BAKE," and "ON" indicators will appear.
 - The display will show the automatic countdown time (8 minutes) needed to preheat the oven for selected temperature.
 - The bottom element should glow red.
- Press the "OFF/CANCEL" pad.
 - The upper element should become hot, but not glow red.
- Press the "CUSTOM BROIL" pad.
 - "500°F" and "BROIL" will appear in the display.
 - The "START ?" indicator will begin to flash.
- Press the "START/ENTER" pad.
 - The "BROIL" and "ON" indicators will appear.
 - The upper element should glow red.
- Press the "OFF/CANCEL" pad.



If your oven has electronic control pads and a timer:

- Press the "BAKE" pad.
 - The "BAKE" indicator and "350°F" will appear in the display.
- Press the START/ENTER pad.
 - "PRE°F," "HEAT," "BAKE," "ON" and "8:00" indicators will appear in the display.
 - The bottom element should glow red.
 - The upper element should become hot but not glow red.
- Press the "OFF/CANCEL" pad.
- Press the "CUSTOM BROIL" pad.
 - "500°F" and "BROIL" will appear in the display.
- Press the "START/ENTER" pad.
 - "500°F," "HEAT," "BROIL," and "ON" will appear on the display.
 - The upper element should glow red.
- Press the "OFF/CANCEL" pad.

The oven is preheated when the time in the display counts down to "0:00," you hear a 1-second tone, and "PRE°F" changes to "350°F."

To get the most efficient use from your new electric range, read your Use and Care Guide. Keep Installation Instructions and Guide close to the electric range for easy reference.

If range does not operate:

- Check that the circuit breaker is not tripped or the house fuse blown.
- Check that the power supply cord is plugged into the wall receptacle.
- See Use and Care Guide for troubleshooting list.

If you need assistance:

If you have questions about operating, cleaning or maintaining your range:

- Refer to Use and Care Guide.
- Call the Consumer Assistance Center: Check your Use and Care Guide for a toll-free number to call or call the dealer from whom you purchased this appliance. The dealer is listed in the Yellow Pages of your phone directory under "Appliances — Household — Major — Service and Repair."

If you need service:

Maintain the quality built into your range by calling an authorized service company.

To obtain the name and number of the authorized service company:

- Contact the dealer from whom you purchased your range; or
- Look in the Yellow Pages of your telephone directory under "Appliances — Household — Major — Service and Repair;" or
- Call the Consumer Assistance Center. The toll-free number is listed in your Use and Care Guide.


When you call, you will need:

- The range model number.
- The range serial number.

Both numbers are listed on the model/serial rating plate, located on the oven frame behind the oven door.

Moving the range:

⚠ WARNING



Injury Hazard
Because of the weight and size of this range, two or more people are required to move it.
All ranges can tip.
Do Not step, lean or sit on the range drawer or door.
The anti-tip device packed with range must be installed. See Installation Instructions.
Failure to follow these instructions could result in injury and/or product damage.

When moving range, slide range onto cardboard or hardboard — to prevent damaging the floor covering.

If removing the range is necessary for cleaning or maintenance:

1. Disconnect the electrical supply. If necessary, pull the range out, away from the wall, just far enough to disconnect the electrical supply line.
2. Remove range to complete cleaning or maintenance.
3. Move range back into operating position. Remove drawer or look underneath range (a flashlight may be needed). Check that leveling leg is engaged in anti-tip bracket. If leveling leg is not properly engaged, remove and reposition bracket to insure that leveling leg fits properly in bracket.
4. Check that range is level.
5. Reconnect the electrical supply.