

Operator's Manual

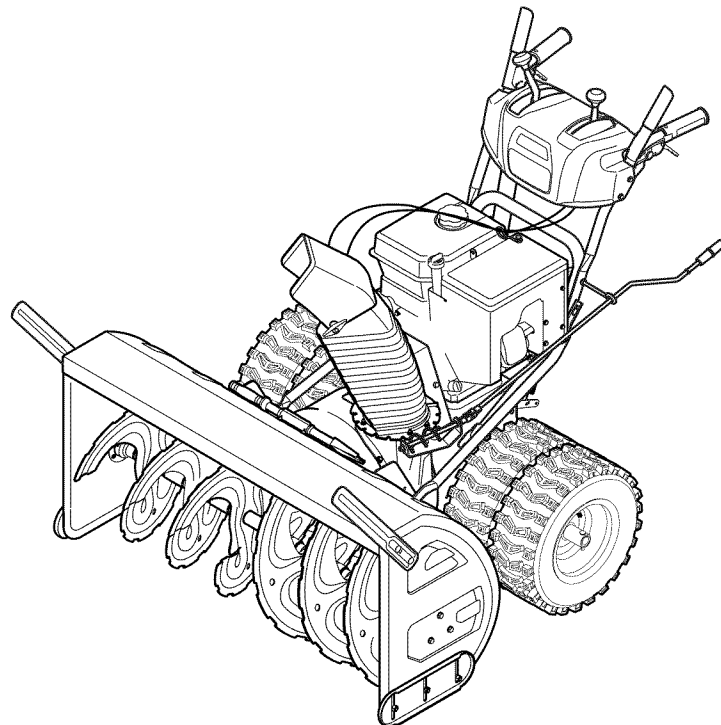


CX SERIES

Electric Start

SNOW THROWER

Model No. 247.883980



CAUTION: Before using this product, read this manual and follow all safety rules and operating instructions.

- SAFETY
- ASSEMBLY
- OPERATION
- MAINTENANCE
- PARTS LIST
- ESPAÑOL

Sears Brands Management Corporation, Hoffman Estates, IL 60179, U.S.A.

Visit our website: www.craftsman.com

Form No. 769-08169
(June 15, 2012)

TABLE OF CONTENTS

Warranty Statement.....	Page 2	Off-Season Storage.....	Page 27
Safe Operation Practices.....	Page 3	Troubleshooting	Page 28
Safety Labels	Page 7	Parts List.....	Page 29
Assembly	Page 8	Repair Protection Agreement	Page 48
Operation.....	Page 14	Español	Page 49
Service and Maintenance.....	Page 19	Service Numbers	Back Cover

WARRANTY STATEMENT

CRAFTSMAN CX TWO YEAR FULL WARRANTY

FOR TWO YEARS from the date of purchase, this product is warranted against any defects in material or workmanship. A defective product will receive free repair or replacement if repair is unavailable.

For warranty coverage details to obtain free repair or replacement, visit the web site: www.craftsman.com

This warranty covers ONLY defects in material and workmanship. Warranty coverage does NOT include:

- Expendable items that can wear out from normal use within the warranty period, including but not limited to augers, auger paddles, drift cutters, skid shoes, shave plate, shear pins, spark plug, air cleaner, belts, and oil filter.
- Standard maintenance servicing, oil changes, or tune-ups.
- Tire replacement or repair caused by punctures from outside objects, such as nails, thorns, stumps, or glass.
- Tire or wheel replacement or repair resulting from normal wear, accident, or improper operation or maintenance.
- Repairs necessary because of operator abuse, including but not limited to damage caused by over-speeding the engine, or from impacting objects that bend the frame, auger shaft, etc.
- Repairs necessary because of operator negligence, including but not limited to, electrical and mechanical damage caused by improper storage, failure to use the proper grade and amount of engine oil, or failure to maintain the equipment according to the instructions contained in the operator's manual.
- Engine (fuel system) cleaning or repairs caused by fuel determined to be contaminated or oxidized (stale). In general, fuel should be used within 30 days of its purchase date.
- Normal deterioration and wear of the exterior finishes, or product label replacement.

This warranty is void if this product is ever used while providing commercial services or if rented to another person.

This warranty gives you specific legal rights, and you may also have other rights which vary from state to state.

Sears Brands Management Corporation, Hoffman Estates, IL 60179

PRODUCT SPECIFICATIONS

Engine Oil Type:	5W-30
Engine Oil Capacity:	37 ounces
Fuel Capacity:	Approx. 5 Quarts
Spark Plug:	F6RTC (951-10292)
Spark Plug Gap:	.020" to .030"

MODEL NUMBER

Model Number.....
Serial Number

Date of Purchase

Record the model number, serial number
and date of purchase above

SAFETY INSTRUCTIONS

WARNING

This symbol points out important safety instructions which, if not followed, could endanger the personal safety and/or property of yourself and others. Read and follow all instructions in this manual before attempting to operate this machine. Failure to comply with these instructions may result in personal injury. When you see this symbol, HEED ITS WARNING!

WARNING

CALIFORNIA PROPOSITION 65

Engine Exhaust, some of its constituents, and certain vehicle components contain or emit chemicals known to State of California to cause cancer and birth defects or other reproductive harm.

DANGER

This machine was built to be operated according to the safe operation practices in this manual. As with any type of power equipment, carelessness or error on the part of the operator can result in serious injury. This machine is capable of amputating fingers, hands, toes and feet and throwing debris. Failure to observe the following safety instructions could result in serious injury or death.

WARNING

Your Responsibility—Restrict the use of this power machine to persons who read, understand and follow the warnings and instructions in this manual and on the machine.

SAVE THESE INSTRUCTIONS!

TRAINING

- Read, understand, and follow all instructions on the machine and in the manual(s) before attempting to assemble and operate. Failure to do so can result in serious injury to the operator and/or bystanders. Keep this manual in a safe place for future and regular reference and for ordering replacement parts.
- Be familiar with all controls and their proper operation. Know how to stop the machine and disengage them quickly.
- Never allow children under 14 years of age to operate this machine. Children 14 and over should read and understand the instructions and safe operation practices in this manual and on the machine and be trained and supervised by an adult.
- Never allow adults to operate this machine without proper instruction.
- Thrown objects can cause serious personal injury. Plan your snow-throwing pattern to avoid discharge of material toward roads, bystanders and the like.
- Keep bystanders, pets and children at least 75 feet from the machine while it is in operation. Stop machine if anyone enters the area.
- Exercise caution to avoid slipping or falling, especially when operating in reverse.

PREPARATION

Thoroughly inspect the area where the equipment is to be used. Remove all doormats, newspapers, sleds, boards, wires and other foreign objects, which could be tripped over or thrown by the auger/impeller.

- Always wear safety glasses or eye shields during operation and while performing an adjustment or repair to protect your eyes. Thrown objects which ricochet can cause serious injury to the eyes.
- Do not operate without wearing adequate winter outer garments. Do not wear jewelry, long scarves or other loose clothing, which could become entangled in moving parts. Wear footwear which will improve footing on slippery surfaces.
- Use a grounded three-wire extension cord and receptacle for all machines with electric start engines.
- Disengage all control levers before starting the engine.
- Adjust collector housing height to clear gravel or crushed rock surfaces.
- Never attempt to make any adjustments while engine is running, except where specifically recommended in the operator's manual.
- Let engine and machine adjust to outdoor temperature before starting to clear snow.

SAFETY INSTRUCTIONS

Safe Handling of Gasoline

To avoid personal injury or property damage use extreme care in handling gasoline. Gasoline is extremely flammable and the vapors are explosive. Serious personal injury can occur when gasoline is spilled on yourself or your clothes which can ignite. Wash your skin and change clothes immediately.

- Use only an approved gasoline container.
- Extinguish all cigarettes, cigars, pipes and other sources of ignition.
- Never fuel machine indoors.
- Never remove gas cap or add fuel while the engine is hot or running.
- Allow engine to cool at least two minutes before refueling.
- Never over fill fuel tank. Fill tank to no more than ½ inch below bottom of filler neck to provide space for fuel expansion.
- Replace gasoline cap and tighten securely.
- If gasoline is spilled, wipe it off the engine and equipment. Move machine to another area. Wait 5 minutes before starting the engine.
- Never store the machine or fuel container inside where there is an open flame, spark or pilot light (e.g. furnace, water heater, space heater, clothes dryer etc.).
- Allow machine to cool at least 5 minutes before storing.
- Never fill containers inside a vehicle or on a truck or trailer bed with a plastic liner. Always place containers on the ground away from your vehicle before filling.
- If possible, remove gas-powered equipment from the truck or trailer and refuel it on the ground. If this is not possible, then refuel such equipment on a trailer with a portable container, rather than from a gasoline dispenser nozzle.
- Keep the nozzle in contact with the rim of the fuel tank or container opening at all times until fueling is complete. Do not use a nozzle lock-open device.

OPERATION

- Do not put hands or feet near rotating parts, in the auger/impeller housing or chute assembly. Contact with the rotating parts can amputate hands and feet.
- The auger/impeller control lever is a safety device. Never bypass its operation. Doing so makes the machine unsafe and may cause personal injury.
- The control levers must operate easily in both directions and automatically return to the disengaged position when released.
- Never operate with a missing or damaged chute assembly. Keep all safety devices in place and working.
- Never run an engine indoors or in a poorly ventilated area. Engine exhaust contains carbon monoxide, an odorless and deadly gas.
- Do not operate machine while under the influence of alcohol or drugs.
- Muffler and engine become hot and can cause a burn. Do not touch. Keep children away.

- Exercise extreme caution when operating on or crossing gravel surfaces. Stay alert for hidden hazards or traffic.
- Exercise caution when changing direction and while operating on slopes. Do not operate on steep slopes.
- Plan your snow-throwing pattern to avoid discharge towards windows, walls, cars etc. Thus, avoiding possible property damage or personal injury caused by a ricochet.
- Never direct discharge at children, bystanders and pets or allow anyone in front of the machine.
- Do not overload machine capacity by attempting to clear snow at too fast of a rate.
- Never operate this machine without good visibility or light. Always be sure of your footing and keep a firm hold on the handles. Walk, never run.
- Disengage power to the auger/impeller when transporting or not in use.
- Never operate machine at high transport speeds on slippery surfaces. Look down and behind and use care when backing up.
- If the machine should start to vibrate abnormally, stop the engine, disconnect the spark plug wire and ground it against the engine. Inspect thoroughly for damage. Repair any damage before starting and operating.
- Disengage all control levers and stop engine before you leave the operating position (behind the handles). Wait until the auger/impeller comes to a complete stop before unclogging the chute assembly, making any adjustments, or inspections.
- Never put your hand in the discharge or collector openings. Do not unclog chute assembly while engine is running. Shut off engine and remain behind handles until all moving parts have stopped before unclogging.
- Use only attachments and accessories approved by the manufacturer (e.g. wheel weights, tire chains, cabs etc.). For information concerning these items, call 1-800-469-4663.
- When starting engine, pull cord slowly until resistance is felt, then pull rapidly. Rapid retraction of starter cord (kickback) will pull hand and arm toward engine faster than you can let go. Broken bones, fractures, bruises or sprains could result.
- If situations occur which are not covered in this manual, use care and good judgment.
- To order parts or schedule service for this product, call 1-800-469-4663.

CLEARING A CLOGGED DISCHARGE CHUTE

Hand contact with the rotating impeller inside the discharge chute is the most common cause of injury associated with snow throwers. Never use your hand to clean out the discharge chute.

To clear the chute:

1. SHUT THE ENGINE OFF!
2. Wait 10 seconds to be sure the impeller blades have stopped rotating.
3. Always use a clean-out tool, not your hands.

SAFETY INSTRUCTIONS

MAINTENANCE & STORAGE

- Never tamper with safety devices. Check their proper operation regularly. Refer to the maintenance and adjustment sections of this manual.
- Before cleaning, repairing, or inspecting machine disengage all control levers and stop the engine. Wait until the auger/impeller come to a complete stop. Disconnect the spark plug wire and ground against the engine to prevent unintended starting.
- Check bolts and screws for proper tightness at frequent intervals to keep the machine in safe working condition. Also, visually inspect machine for any damage.
- Do not change the engine governor setting or over-speed the engine. The governor controls the maximum safe operating speed of the engine.
- Snow thrower shave plates and skid shoes are subject to wear and damage. For your safety protection, frequently check all components and replace with original equipment manufacturer's (OEM) parts only as listed in the Parts pages of this operator's manual. Use of parts which do not meet the original equipment specifications may lead to improper performance and compromise safety!
- Check control levers periodically to verify they engage and disengage properly and adjust, if necessary. Refer to the adjustment section in this operator's manual for instructions.
- Maintain or replace safety and instruction labels, as necessary.
- Observe proper disposal laws and regulations for gas, oil, etc. to protect the environment.
- Prior to storing, run machine a few minutes to clear snow from machine and prevent freeze up of auger/impeller.
- Never store the machine or fuel container inside where there is an open flame, spark or pilot light such as a water heater, furnace, clothes dryer etc.
- Always refer to the operator's manual for proper instructions on off-season storage.
- Check fuel line, tank, cap, and fittings frequently for cracks or leaks. Replace if necessary.
- Do not crank engine with spark plug removed.
- According to the Consumer Products Safety Commission (CPSC) and the U.S. Environmental Protection Agency (EPA), this product has an *Average Useful Life* of seven (7) years, or 60 hours of operation. At the end of the *Average Useful Life* have the machine inspected annually by an authorized service dealer to ensure that all mechanical and safety systems are working properly and not worn excessively. Failure to do so can result in accidents, injuries or death.

DO NOT MODIFY ENGINE

To avoid serious injury or death, do not modify engine in any way. Tampering with the governor setting can lead to a runaway engine and cause it to operate at unsafe speeds. Never tamper with factory setting of engine governor.

NOTICE REGARDING EMISSIONS

Engines which are certified to comply with California and federal EPA emission regulations for SORE (Small Off Road Equipment) are certified to operate on regular unleaded gasoline, and may include the following emission control systems: Engine Modification (EM), Oxidizing Catalyst (OC), Secondary Air Injection (SAI) and Three Way Catalyst (TWC) if so equipped.

SPARK ARRESTOR

WARNING

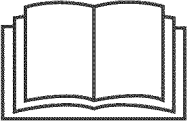







This machine is equipped with an internal combustion engine and should not be used on or near any unimproved forest-covered, brush-covered or grass-covered land unless the engine's exhaust system is equipped with a spark arrestor meeting applicable local or state laws (if any)

If a spark arrestor is used, it should be maintained in effective working order by the operator. In the State of California the above is required by law (Section 4442 of the California Public Resources Code). Other states may have similar laws. Federal laws apply on federal lands. A spark arrestor for the muffler is available through your nearest Sears Parts and Repair Service Center.

SAFETY INSTRUCTIONS

SAFETY SYMBOLS

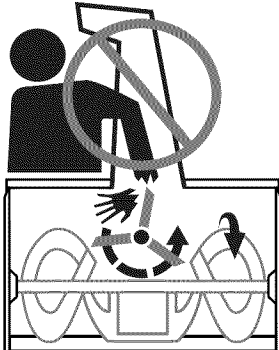
This page depicts and describes safety symbols that may appear on this product. Read, understand, and follow all instructions on the machine before attempting to assemble and operate.

Symbol	Description
	READ THE OPERATOR'S MANUAL(S) Read, understand, and follow all instructions in the manual(s) before attempting to assemble and operate
	WARNING— ROTATING BLADES Keep hands out of inlet and discharge openings while machine is running. There are rotating blades inside
	WARNING— ROTATING BLADES Keep hands out of inlet and discharge openings while machine is running. There are rotating blades inside
	WARNING— ROTATING AUGER Do not put hands or feet near rotating parts, in the auger/impeller housing or chute assembly. Contact with the rotating parts can amputate hands and feet.
	WARNING—THROWN OBJECTS This machine may pick up and throw objects which can cause serious personal injury.
	WARNING—GASOLINE IS FLAMMABLE Allow the engine to cool at least two minutes before refueling.
	WARNING— CARBON MONOXIDE Never run an engine indoors or in a poorly ventilated area. Engine exhaust contains carbon monoxide, an odorless and deadly gas.
	WARNING— ELECTRICAL SHOCK Do not use the engine's electric starter in the rain

SAFETY LABELS

 <p>CLEAN-OUT TOOL</p> <ol style="list-style-type: none">1. KEEP AWAY FROM ROTATING IMPELLER AND AUGER. CONTACT WITH IMPELLER OR AUGER CAN AMPUTATE HANDS AND FEET.2. USE CLEAN-OUT TOOL TO UNCLOG DISCHARGE CHUTE.3. DISENGAGE CLUTCH LEVERS, STOP ENGINE, AND REMAIN BEHIND HANDLES UNTIL ALL MOVING PARTS HAVE STOPPED BEFORE UNCLOGGING OR SERVICING MACHINE.4. TO AVOID THROWN OBJECTS INJURIES, NEVER DIRECT DISCHARGE AT BYSTANDERS, USE EXTRA CAUTION WHEN OPERATING ON GRAVEL SURFACES.5. READ OPERATOR'S MANUAL. <p>! DANGER</p>	<p>! DANGER</p>  <p>AVOID INJURY FROM ROTATING AUGER - KEEP HANDS, FEET AND CLOTHING AWAY.</p>
---	---

! DANGER



- NEVER PUT HAND IN CHUTE. CONTACT WITH ROTATING PARTS CAN AMPUTATE FINGERS AND HANDS.
- SHUT OFF ENGINE AND WAIT UNTIL ALL MOVING PARTS HAVE STOPPED BEFORE UNCLOGGING.
- USE CLEAN-OUT TOOL OR WOODEN STICK TO UNCLOG DISCHARGE CHUTE.

ASSEMBLY

NOTE: References to right or left side of the snow thrower are determined from the operating position looking forward to the front of the machine.

REMOVING FROM CRATE

1. Remove screws from the bottom of the crate securing the sides, and ends of the shipping crate.
2. Lift off the top off of the crate and set out of the way of the assembly area.
3. Remove and discard plastic bag that covers unit.
4. Remove any loose parts included with unit (e.g., Operator's Manual, etc.).
5. Push down on the lower handle and pull unit back out of crate.
6. Make certain the crate has been completely emptied before discarding it.

ASSEMBLY

1. Make certain the springs at the lower end of the auger and drive cables are securely hooked into their respective actuator brackets before pivoting the handle upward. Refer to Fig. 1.
 - a. Place the speed selector shift lever in the F6 position.
 - b. Cut the cable tie securing the two piece chute crank to the lower handle. The cable tie is used for shipping purposes.
 - c. Remove the upper wing knob and carriage bolt from each side of the lower handle. Pull up on upper handle as shown in Fig. 1. Align upper handle with the lower handle. Again, make certain the springs at the lower end of the auger and drive cables are securely hooked into their respective actuator brackets. Also, remove any rubber bands securing the cables to the wing nuts.

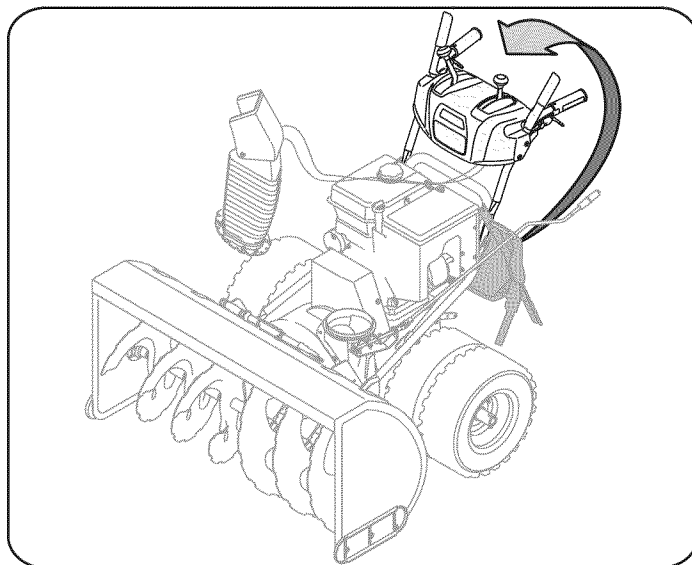


Figure 1

2.
 - a. Secure the support bracket, upper handle and lower handle with the two wing knobs and carriage bolts removed earlier. See Fig. 2.

- b. Tighten the two wing knobs already installed in the upper holes to firmly secure the upper handle and support tubes. See Fig. 2.

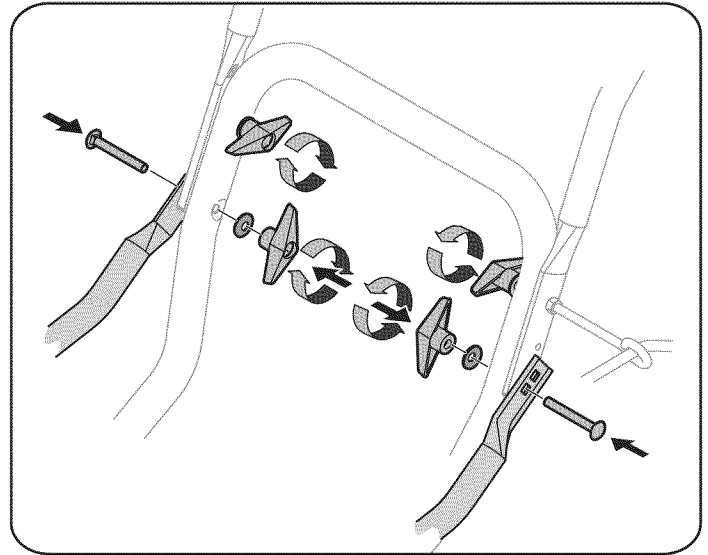


Figure 2

NOTE: If the full range of speeds (forward and reverse) can not be achieved, refer to the "Making Adjustments" section.

Chute Directional Control

1. Remove the hairpin clip from the spiral control as shown in A of Fig. 3.
2. Insert the chute directional control rod into the fitting on the spiral control as seen in B of Fig. 3.
3. Secure with the hairpin clip previously removed. See Fig. 3.

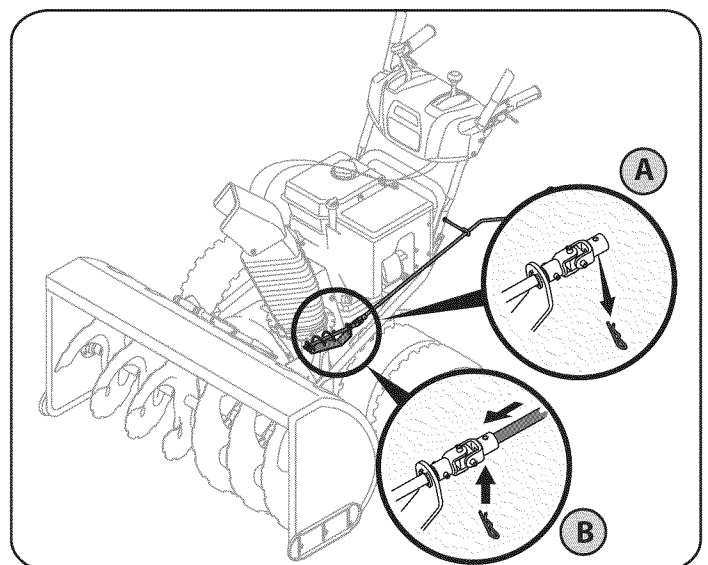


Figure 3

ASSEMBLY

Chute Assembly

1. Remove lock nuts and screws securing one of the flange keepers to the chute assembly. Loosen the fasteners of the other two flange keepers. See Fig. 4.
2. Place chute assembly onto chute base as shown in Fig. 5. Make sure that the chute notches engage with the spiral end of chute directional control, and the two flange keepers are beneath the flange on the chute base.
3. Secure flange keeper removed earlier with lock nuts and screws. Tighten down nuts securing the other two flange keepers. See Fig. 4.

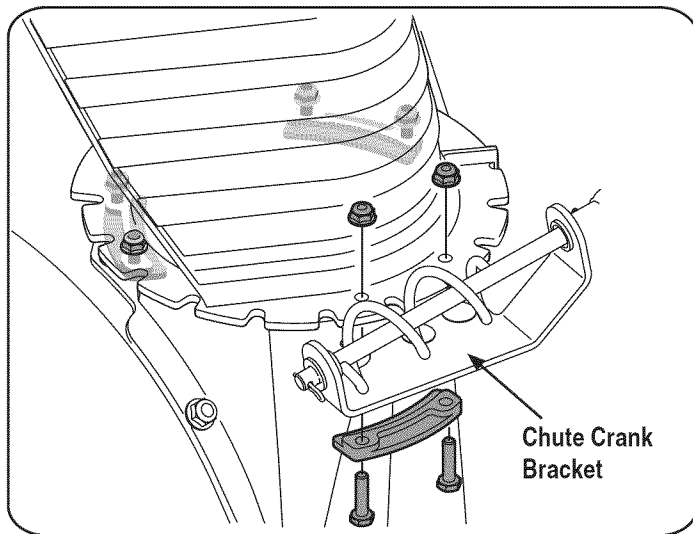


Figure 4

4. If not already done, slip the cables that run from the handle panel to the discharge chute into the cable guide on top of the engine. See Fig. 5.
5. Normally the cable ties holding the steering cables against the handle are loosely installed on each side of the lower handle at the factory. Pull the cable ties tight to secure. Cut the excess from the ends of cable ties.

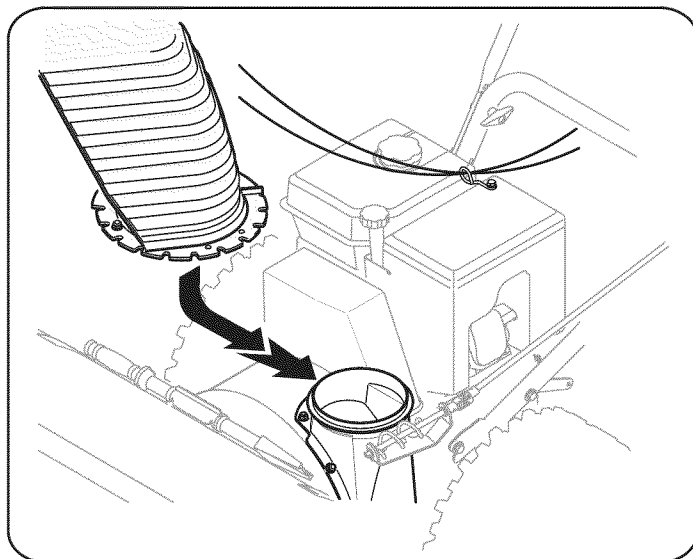


Figure 5

SET-UP

Chute Clean-Out Tool

⚠ WARNING

Never use your hands to clear a clogged chute assembly. Shut off engine and remain behind handles until all moving parts have stopped before using the clean-out tool to clear the chute assembly.

A **chute clean-out tool** is fastened to the top of the auger housing with a mounting clip. See Fig. 6. The tool is designed to clear a chute assembly of ice and snow. This item, along with the extension cord, is fastened with a cable tie at the factory for shipping purposes. You may cut the cable tie at this time.

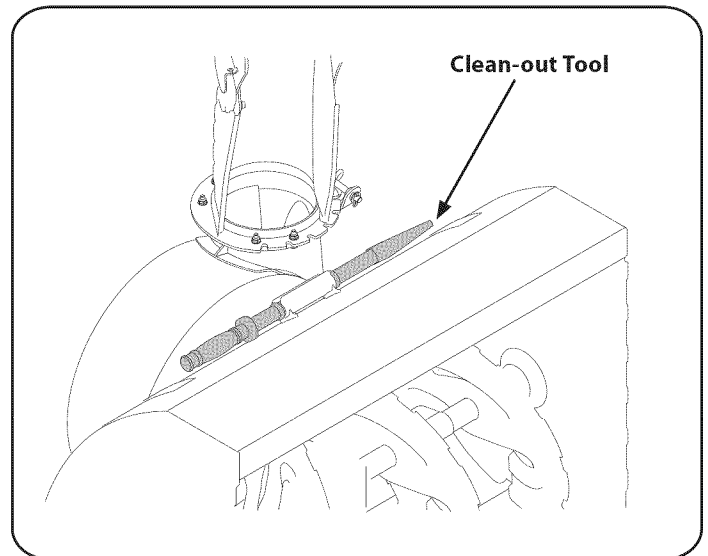


Figure 6

Drift Cutters

The snow thrower drift cutters are mounted inverted at the factory for shipping purposes.

1. Remove the four wing knobs (two on each side) and carriage bolts. Place drift cutter in upright position and re-secure. See Fig. 7.

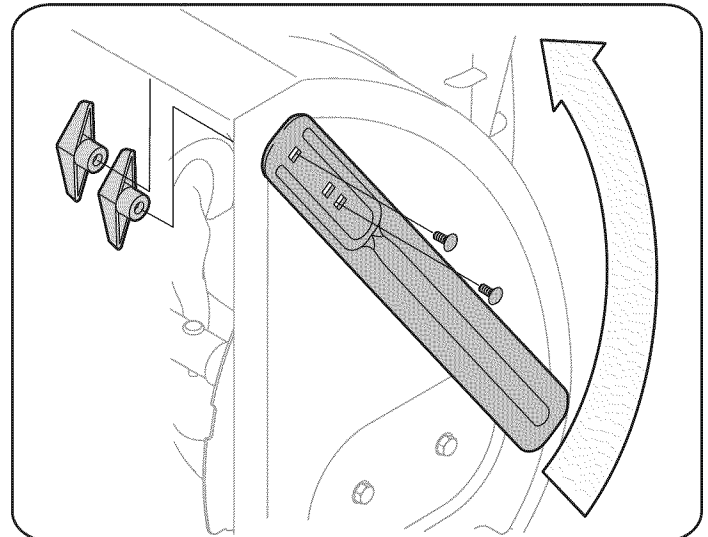


Figure 7

ASSEMBLY

Shear Pins

A pair of replacement auger shear pins and bow tie cotter pins have been included with your snow thrower. There are holes provided in the plastic dash panel for convenient storage of the shear pins. Push the pins through the holes in the dash panel and secure with the bow-tie cotter pins. See Fig. 8.

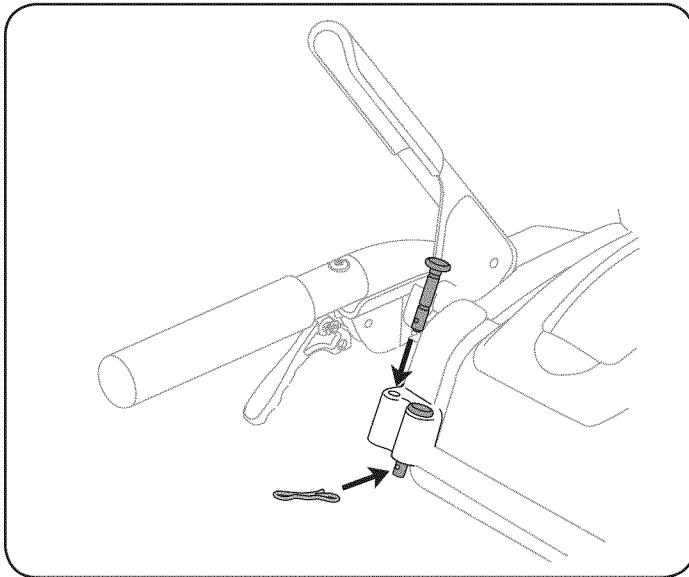


Figure 8

Tire Pressure (Pneumatic Tires)

⚠ WARNING

Under any circumstance do not exceed manufacturer's recommended psi. Equal tire pressure should be maintained at all times. Excessive pressure when seating beads may cause tire/rim assembly to burst with force sufficient to cause serious injury. Refer to sidewall of tire for recommended pressure.

The tires can be over-inflated for shipping purposes. Check the tire pressure before operating the snow thrower. Refer to the tire side wall for manufacturer's recommended psi and deflate (or inflate) the tires as necessary.

NOTE: Equal tire pressure is to be maintained at all times for performance purposes.

Fuel Recommendations

Use automotive gasoline (unleaded or low leaded to minimize combustion chamber deposits) with a minimum of 87 octane. Gasoline with up to 10% ethanol or 15% MTBE (Methyl Tertiary Butyl Ether) can be used. Never use an oil/gasoline mixture or dirty gasoline. Avoid getting dirt, dust, or water in the fuel tank. DO NOT use E85 gasoline.

- Refuel in a well-ventilated area with the engine stopped. Do not smoke or allow flames or sparks in the area where the engine is refueled or where gasoline is stored.
- Do not overfill the fuel tank. After refueling, make sure the tank cap is closed properly and securely.
- Be careful not to spill fuel when refueling. Spilled fuel or fuel vapor may ignite. If any fuel is spilled, make sure

the area is dry before starting the engine.

- Avoid repeated or prolonged contact with skin or breathing of vapor.

Adding Fuel

⚠ WARNING

Use extreme care when handling gasoline. Gasoline is extremely flammable and the vapors are explosive. Never fuel the machine indoors or while the engine is hot or running. Extinguish cigarettes, cigars, pipes and other sources of ignition.

⚠ WARNING

Always keep hands and feet clear of equipment moving parts. Do not use a pressurized starting fluid. Vapors are flammable.

1. Clean around fuel fill before removing cap to fuel.

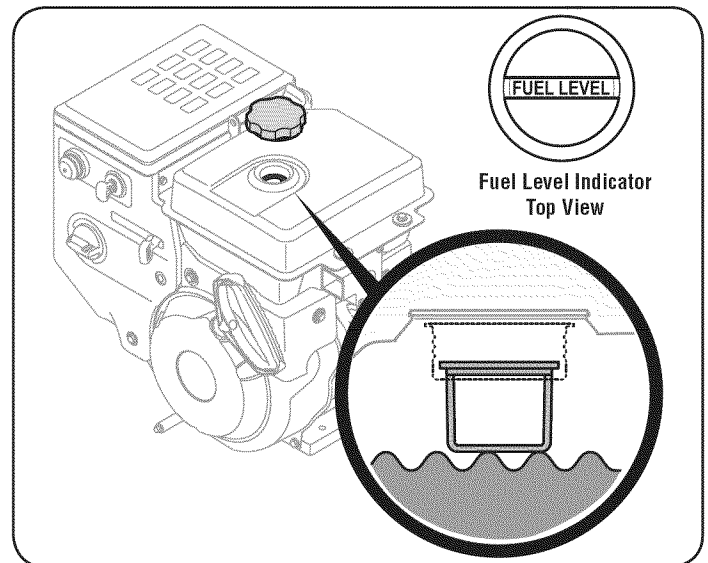


Figure 9

2. A fuel level indicator is located in the fuel tank. Fill tank until fuel reaches the fuel level indicator, Figure 9. Be careful not to overfill.

Checking Oil Level

⚠ CAUTION

The engine is shipped with oil in the engine. You must, however, check the oil level prior to operating the snow thrower. Running the engine with insufficient oil can cause serious engine damage and void the engine warranty.

Some engines will have a quarter-turn oil fill/dipstick cap, others may have a threaded oil fill/dipstick cap. Follow the instructions next that apply to your engine model.

ASSEMBLY

Checking Oil Level on Engines with Quarter-Turn Oil Fill Caps

NOTE: Be sure to check the engine on a level surface with the engine stopped.

To avoid engine damage, it is important to:

- Check oil level before each use and every 5 operating hours when engine is warm. Check oil level more frequently during engine break-in.
- Keep oil level between “H” and “L” marks on dipstick. See Fig. 10.
- Be sure oil fill cap/plug is tightened securely when checking.

1. Remove the oil filler cap/dipstick and wipe the dipstick clean. See Fig. 10.
2. Insert the cap/dipstick into the oil filler neck, and tighten the cap until seated.
3. Remove the oil filler cap/dipstick. If the level is low, slowly add oil until oil level registers between high (H) and low (L), Fig. 10.
4. Replace and tighten cap/dipstick firmly before starting engine.

NOTE: Do not overfill. Overfilling with oil may cause smoking, hard starting, or spark plug fouling.

NOTE: DO NOT allow oil level to fall below the “L” mark on the dipstick. Doing so may result in equipment malfunctions or damage.

NOTE: To change the oil on your engine, see the Maintenance Section of the engine operator’s manual included with the snow thrower.

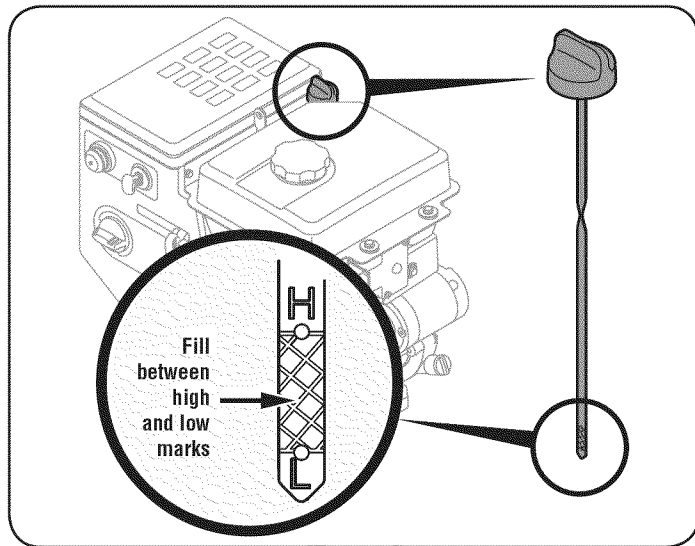


Figure 10

Checking Oil Level on Engines with threaded Oil Fill Caps

NOTE: Be sure to check the engine on a level surface with the engine stopped.

To avoid engine damage, it is important to:

- Check oil level before each use and every 5 operating hours when engine is warm. Check oil level more frequently during engine break-in.
- Keep oil level between “H” and “L” marks on dipstick. See Fig. 11.
- Be sure oil fill cap/plug is tightened securely when checking.

1. Remove the oil filler cap/dipstick and wipe the dipstick clean. See Fig. 11.
2. Insert the cap/dipstick into the oil filler neck, resting on the threads, but do not tighten.
3. Remove the oil filler cap/dipstick. If the level is low, slowly add oil until oil level registers between high (H) and low (L), Fig. 11.
4. Replace and tighten cap/dipstick firmly before starting engine.

NOTE: Do not overfill. Overfilling with oil may cause smoking, hard starting, or spark plug fouling.

NOTE: DO NOT allow oil level to fall below the “L” mark on the dipstick. Doing so may result in equipment malfunctions or damage.

NOTE: To change the oil on your engine, see the Maintenance Section of the engine operator’s manual included with the snow thrower.

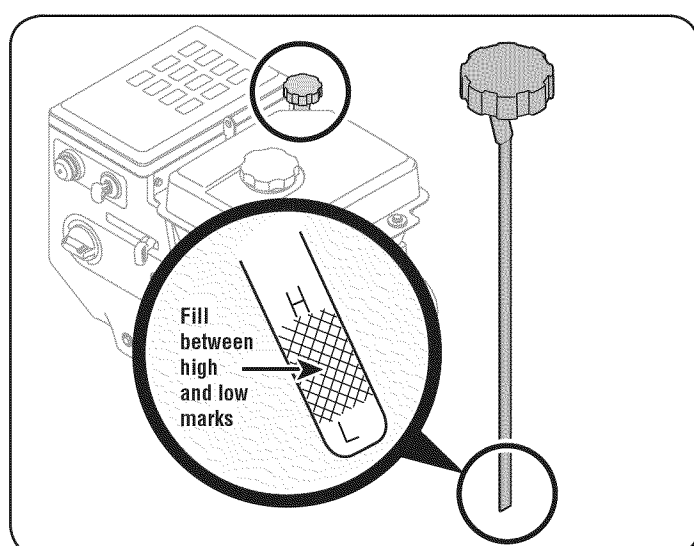


Figure 11

ASSEMBLY

ADJUSTMENTS

Skid Shoes

⚠ CAUTION

It is not recommended that you operate this snow thrower on gravel as it can easily pick up and throw loose gravel, causing personal injury or damage to the snow thrower and surrounding property.

The snow thrower skid shoes are adjusted upward at the factory for shipping purposes. Adjust them downward prior to operating the machine.

For close snow removal on a smooth surface, adjust the skid shoes so that the shave plate on the bottom of the auger housing is just off the ground.

Adjust the skid shoes to a lower position to raise the shave plate off the ground when clearing uneven areas, such as a ribbon type driveway or a gravel driveway

NOTE: If you choose to operate the snow thrower on a gravel surface, keep the skid shoes in position for maximum clearance between the ground and the shave plate.

To adjust the skid shoes:

1. Adjust skid shoes by loosening the six (three on each side) hex nuts and carriage bolts securing the skid shoes to the auger housing. Refer to Figure 12.

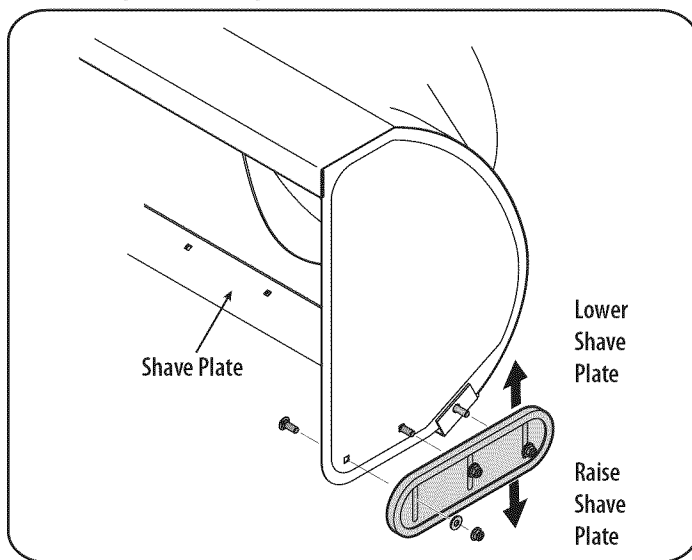


Figure 12

2. While observing the distance between the shave plate and the ground, adjust the skid shoes up or down to achieve the desired shave plate height. See Figure 12.
3. Make certain the entire bottom surface of skid shoes are against the ground to avoid uneven wear on the skid shoes; then tighten nuts and bolts securely.

AUGER AND DRIVE CONTROL CABLES

⚠ WARNING

Prior to operating your snow thrower, carefully read and follow all instructions below. Perform all adjustments to verify your snow thrower is operating safely and properly.

Testing Auger Drive Control

When the auger control is released and in the disengaged “up” position, the cable should have very little slack, but should NOT be tight. Refer to Fig. 13 for location of controls.

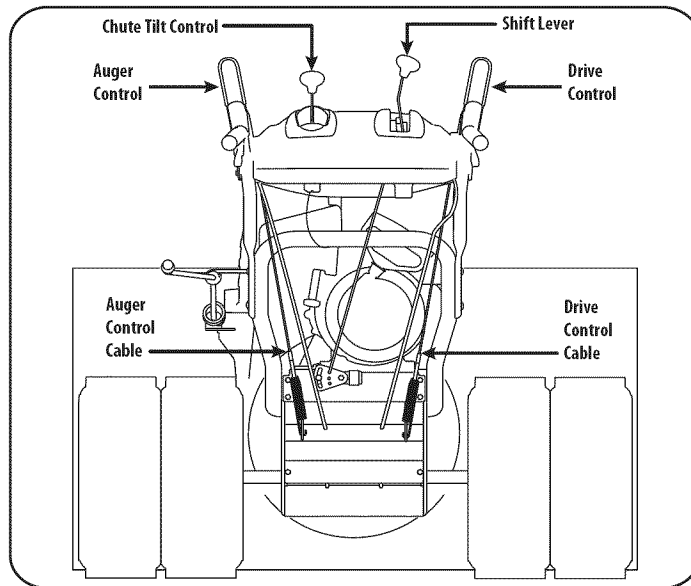


Figure 13

1. In a well-ventilated area, start the snow thrower engine as instructed in the Operation section.
2. While standing in the operator's position (behind the snow thrower), engage the auger control and allow the auger to remain engaged for approximately ten seconds before releasing the auger control. Repeat this several times.

NOTE: When engaging the auger, you may hear a “chirp” sound. This is normal, it is the belt engaging the pulley. As the belt wears, this sound will not be heard when engaging the auger.

3. With the engine running and the auger control in the disengaged “up” position, walk to the front of the machine. Confirm that the auger has completely stopped rotating and shows no signs of motion.
4. If the auger shows any signs of rotating, immediately return to the operator's position and shut off the engine. Wait for all moving parts to stop before readjusting the auger control cable.

ASSEMBLY

Testing Wheel Drive Control & Speed Selector Lever

Refer to Fig. 13 for location of controls.

1. Move the speed selector shift lever into sixth (6) position.
2. With the wheel drive control released, push the snow thrower forward, then pull it back. The machine should move freely.
3. Engage the drive control and attempt to move the machine both forward and back, resistance should be felt.
4. Move the speed selector shift lever into the fast reverse (R2) position and repeat the previous two steps.

If you experienced resistance rolling the unit, either when repositioning the speed selector shift lever from 6 to R2 or when attempting to move the machine with the drive control released, adjust the drive control immediately. See Adjusting Drive and Auger Controls.

Adjusting Wheel Drive & Auger Controls

1. From beneath the handle, pull downward on the appropriate cable and unhook the spring found on the end of the cable from its respective actuator bracket. Refer to Fig. 14.

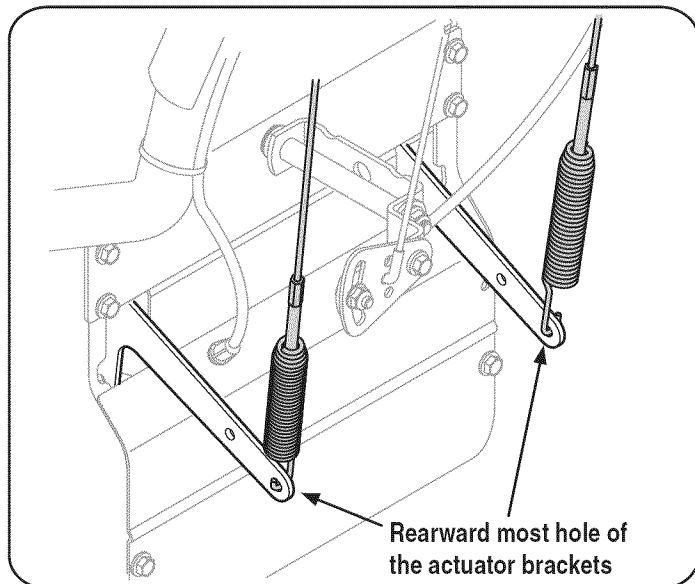


Figure 14

2. Slide the spring up the cable to expose the cable coupler threads and lock nut. Refer to Fig. 15.

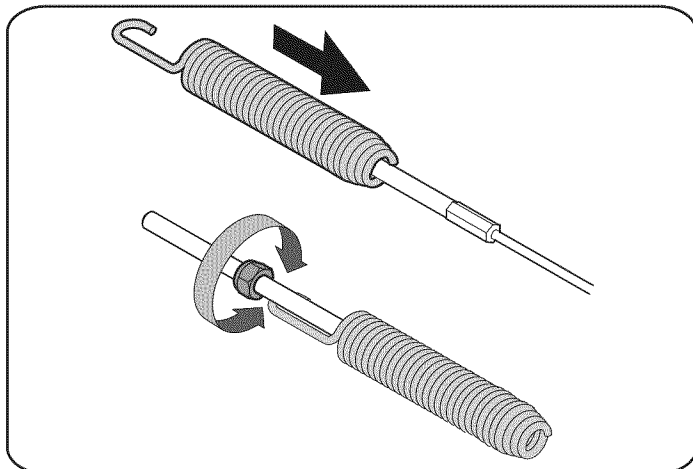


Figure 15

3. If adjusting the drive cable, thread the lock nut outward (down the coupler towards the end of the thread) to lengthen the cable and allow the unit to move freely when the control is released. Thread the lock nut inward (up the coupler towards the cable) to shorten the cable to reduce slippage and prevent the machine from being easily moved with the drive control engaged.

⚠ WARNING

Do not over-tighten the cable. Over-tightening may prevent the auger shaft from disengaging and compromise the safety of the snow thrower.

If adjusting the auger cable, thread the lock nut down the coupler towards the end of the thread to lengthen the cable as necessary to stop the auger shaft from turning when the control is released.

4. Reattach the spring to the rear-most hole in the actuator bracket.
5. Repeat the wheel drive and auger control tests to verify proper adjustment. Repeat previous steps if necessary to attain proper adjustment of each cable.

OPERATION

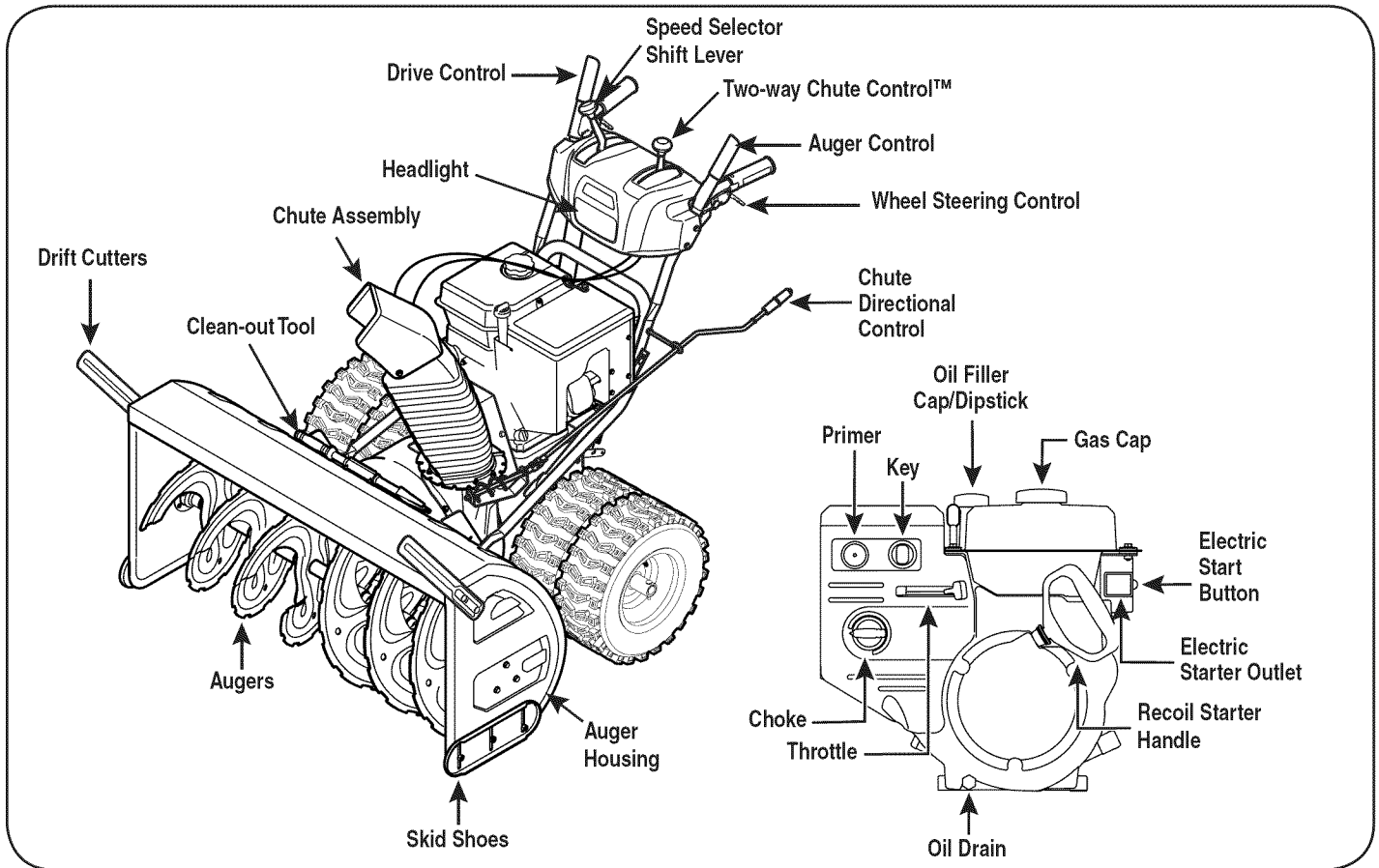


Figure 16

Now that you have set up your snow thrower, it's important to become acquainted with its controls and features. Refer to Figure 16.

SPEED SELECTOR SHIFT LEVER

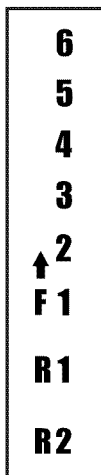
The speed selector shift lever is located on the right side of the handle panel. Place the speed selector shift lever into any of eight positions to control the direction of travel and ground speed.

Forward

Your snow thrower has six forward (F) speeds. Position one (1) is the slowest and position six (6) is the fastest.

Reverse

Your snow thrower has two reverse (R) speeds. One (1) is the slower and two (2) is the faster.



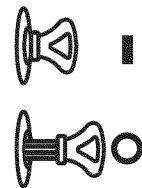
CHOKE CONTROL

The choke control is found on the rear of the engine and is activated by rotating the knob counter-clockwise. Activating the choke control closes the choke plate on the carburetor and aids in starting the engine.



KEY

The key is a safety device. It must be fully inserted in order for the engine to start. Remove the key when the snow thrower is not in use.



NOTE: Do not turn the key in an attempt to start the engine. Doing so may cause it to break.

Meets ANSI Safety Standards

Craftsman Snow Throwers conform to the safety standard of the American National Standards Institute (ANSI).

OPERATION

Throttle Control



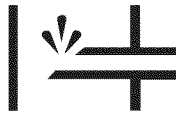
The throttle control is located on the rear of the engine. It regulates the speed of the engine and will shut off the engine when moved into the STOP position.

PRIMER

Depressing the primer forces fuel directly into the engine's carburetor to aid in cold-weather starting.

OIL FILL

Engine oil level can be checked and oil added through the oil fill.



RECOIL STARTER HANDLE

This handle is used to manually start the engine.

ELECTRIC STARTER BUTTON

Pressing the electric starter button engages the engine's electric starter when plugged into a 120V power source.

ELECTRIC STARTER OUTLET

Requires the use of a three-prong outdoor extension cord (included) and a 120V power source/wall outlet.

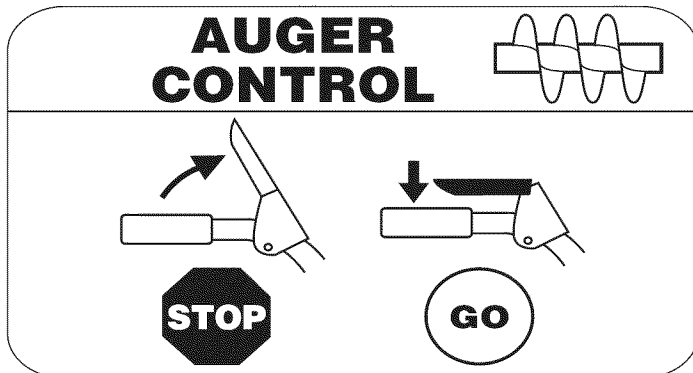
AUGERS

When engaged, the augers rotate and draw snow into the auger housing.

CHUTE ASSEMBLY

Snow drawn into the auger housing is discharged out the chute assembly.

AUGER CONTROL



The auger control is located on the left handle. Squeeze the control grip against the handle to engage the augers and start snow throwing action. Release to stop.

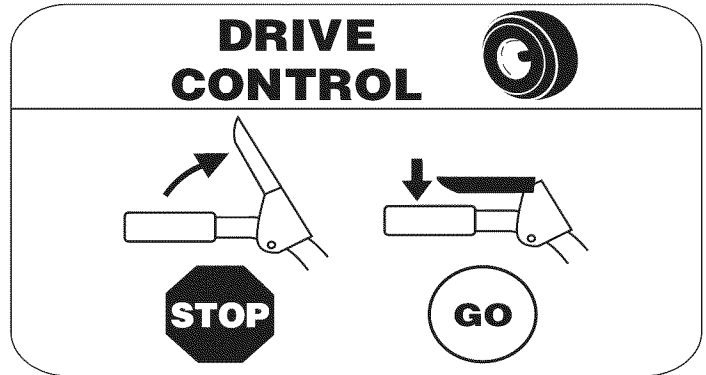
GAS CAP

Unthread the gas cap to add gasoline to the fuel tank.

OIL DRAIN

Engine oil can be drained through the oil drain.

DRIVE CONTROL /AUGER CONTROL LOCK



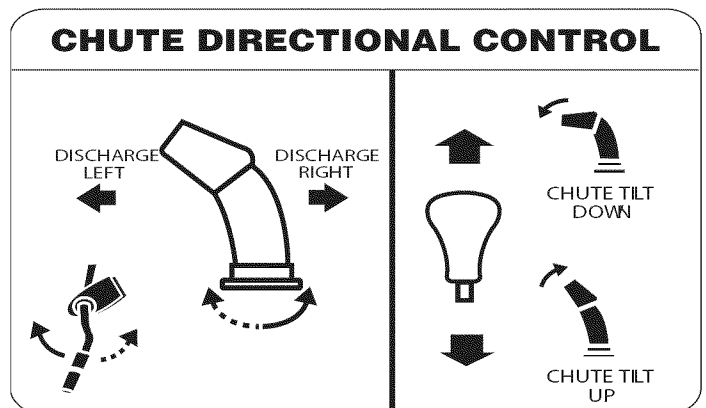
The wheel drive control is located on the right handle. Squeeze the control grip against the handle to engage the wheel drive. Release to stop. The Wheel drive control also locks the auger control so you can operate the chute directional control without interrupting the snow throwing process. If the auger control is engaged simultaneously with the wheel drive control, the operator can release the auger control (on the left handle) and the augers will remain engaged. Release both controls to stop the augers and wheel drive.

NOTE: Always release the wheel drive control before changing speeds. Failure to do so will result in increased wear on your machine's drive system.

TWO-WAY CHUTE CONTROL™

The two-way chute-pitch control is located on the left side of the handle panel and is used to control the distance of snow discharge from the chute.

- To change the upper chute angle to control the distance that snow is thrown, pivot the lever forward or backward.
- Move the lever forward to pivot the upper chute down and reduce the distance snow is thrown.
- Move the lever rearward to pivot the upper chute upward and increase the distance snow is thrown.



OPERATION

NOTE: To increase or decrease the tension on the two-way chute control, tighten or loosen the wing knob on the chute assembly.

CHUTE DIRECTIONAL CONTROL

The chute directional control is located on the left side of the snow thrower.

- To change the direction in which snow is thrown, crank clockwise to discharge to the left and counterclockwise to discharge to the right.

SKID SHOES

Position the skid shoes based on surface conditions. Adjust upward for hard-packed snow. Adjust downward when operating on gravel or crushed rock surfaces.

WHEEL STEERING CONTROLS

The left and right wheel steering controls are located on the underside of the handles. Squeeze the right control to turn right; squeeze the left control to turn left.

NOTE: Operate the snow thrower in open areas until you are familiar with these controls.

HEADLIGHT

The headlight is located inside of the handle panel.

DRIFT CUTTERS

The drift cutters are designed for use in deep snow. Their use is optional for normal snow conditions. Maneuver the snow thrower so that the cutters penetrate a high standing snow drift to assist snow falling into the augers for throwing.

CLEAN-OUT TOOL

The chute clean-out tool is conveniently fastened to the rear of the auger housing with a mounting clip. Should snow and ice become lodged in the chute assembly during operation, proceed as follows to safely clean the chute assembly and chute opening:

WARNING

Never use your hands to clear a clogged chute assembly. Shut off engine and remain behind handles until all moving parts have stopped before unclogging.

1. Release both the Auger Control and the Wheel drive control.
2. Stop the engine by removing the key.
3. Remove the clean-out tool from the clip which secures it to the rear of the auger housing.
4. Use the shovel-shaped end of the clean-out tool to dislodge and scoop any snow and ice which has formed in and near the chute assembly.
5. Refasten the clean-out tool to the mounting clip on the rear of the auger housing, reinsert the key and start the snow thrower's engine.
6. While standing in the operator's position (behind the snow thrower), engage the auger control for a few seconds to clear any remaining snow and ice from the chute assembly.

BEFORE STARTING ENGINE

WARNING

Read, understand, and follow all instructions and warnings on the machine and in this manual before operating.

Oil

The unit was shipped with oil in the engine. Check oil level before each operation to ensure adequate oil in the engine. For further instructions, refer to the Service & Maintenance section of this manual.

NOTE: Be sure to check the engine on a level surface with the engine stopped.

1. Remove the oil filler cap/dipstick and wipe the dipstick clean.
2. Insert the cap/dipstick into the oil filler neck, and tighten the cap turning clockwise until cap is seated.

NOTE: On some engines, a threaded screw cap will be present instead of the quarter turn locking cap. In the instance of a threaded oil cap/dipstick, DO NOT screw the cap/dipstick in to check. Check the oil by resting the cap/dipstick on the threads, but not screwing it in.

3. Remove the oil filler cap/dipstick. If the level is low, slowly add oil (5W-30, with a minimum classification of SF/SG) until oil level registers between high (H) and low (L).

NOTE: Do not overfill. Overfilling with oil may result in engine smoking, hard starting or spark plug fouling.

4. Replace and tighten cap/dipstick firmly before starting engine

Gasoline

WARNING

Use extreme care when handling gasoline. Gasoline is extremely flammable and the vapors are explosive. **Never** fuel the machine indoors or while the engine is hot or running. Extinguish cigarettes, cigars, pipes and other sources of ignition.

Use automotive gasoline (unleaded or low leaded to minimize combustion chamber deposits) with a minimum of 87 octane. Gasoline with up to 10% ethanol or 15% MTBE (Methyl Tertiary Butyl Ether) can be used. Never use an oil/gasoline mixture or dirty gasoline. Avoid getting dirt, dust, or water in the fuel tank. DO NOT use E85 gasoline.

- Refuel in a well-ventilated area with the engine stopped. Do not smoke or allow flames or sparks in the area where the engine is refueled or where gasoline is stored.
 - Do not overfill the fuel tank. After refueling, make sure the tank cap is closed properly and securely.
 - Be careful not to spill fuel when refueling. Spilled fuel or fuel vapor may ignite. If any fuel is spilled, make sure the area is dry before starting the engine.
 - Avoid repeated or prolonged contact with skin or breathing of vapor
1. Clean around fuel fill before removing cap to fuel to prevent debris from entering fuel tank.
 2. A fuel level indicator is located in the fuel tank. Fill tank until fuel reaches the fuel level indicator. See Figure 10 inset. Be careful not to overfill.

OPERATION

STARTING THE ENGINE

WARNING

Always keep hands and feet clear of moving parts. Do not use a pressurized starting fluid. Vapors are flammable.

NOTE: Allow the engine to warm up for a few minutes after starting. The engine will not develop full power until it reaches operating temperatures.

1. Make certain both the auger control and wheel drive control are in the disengaged (released) position.
2. Insert key into slot. Make sure it snaps into place. Do not attempt to turn the key.

NOTE: The engine cannot start without the key fully inserted into the ignition switch.



Electric Starter


WARNING

The optional electric starter is equipped with a grounded three-wire power cord and plug, and is designed to operate on 120 volt AC household current. It must be used with a properly grounded three-prong receptacle at all times to avoid the possibility of electric shock. Follow all instructions carefully prior to operating the electric starter.

Determine that your home's wiring is a three-wire grounded system. Ask a licensed electrician if you are not certain.

If you have a grounded three-prong receptacle, proceed as follows:

1. Plug the extension cord into the outlet located on the engine's surface. Plug the other end of extension cord into a three-prong 120-volt, grounded, AC outlet in a well-ventilated area.
2. Move throttle control to FAST (rabbit)  position.
3. Move choke to the CHOKE  (cold engine start).

NOTE: If the engine is already warm, place choke control in the RUN position instead of CHOKE  position.

4. Push primer three times (3x), making sure to cover vent hole in primer bulb when pushing. If engine is warm, push primer only once. Always cover vent hole when pushing. Cool weather may require priming to be repeated.
5. Push starter button to start engine. Once the engine starts, immediately release starter button. Electric starter is equipped with thermal overload protection; system will temporarily shut-down to allow starter to cool if electric starter becomes overloaded.

CAUTION



To prolong starter life, use short starting cycles (5 seconds maximum, then wait one minute).

6. As the engine warms, slowly rotate the choke control to the RUN position. If the engine falters, restart engine and run with choke at half-choke position for a short period of time, and then slowly rotate the choke into the RUN position.
7. After engine is running, disconnect power cord from electric starter. When disconnecting, always unplug the end at the wall outlet before unplugging the opposite end from the engine.

Recoil Starter

CAUTION

Do not pull the starter handle while the engine running.


1. Move throttle control to FAST (rabbit)  position.
2. Move choke to the CHOKE  position (cold engine start). If engine is warm, place choke in the RUN position.
3. Push primer three times, making sure to cover vent hole when pushing. If engine is warm, push primer only once. Always cover vent hole when pushing. Cool weather may require priming to be repeated.
4. Pull gently on the starter handle until it begins to resist, then pull quickly and forcefully to overcome the compression. Engine should start. Do not release the handle and allow it to snap back. Return rope SLOWLY to original position. If required, repeat this step.
5. As the engine warms, slowly rotate the choke control to the RUN position. If the engine falters, restart engine and run with choke at half-choke position for a short period of time, and then slowly rotate the choke into the RUN position.

WARNING


To avoid unsupervised engine operation, never leave the machine unattended with the engine running. Turn the engine off after use and remove key.

STOPPING THE ENGINE

After you have finished snow-throwing, run engine for a few minutes before stopping to help dry off any moisture on the engine.


1. Move throttle control to STOP  position.

CAUTION

Do NOT move the choke control to CHOKE  position to stop the engine. Backfire or engine damage may occur.

2. Remove the key. Removing the key will reduce the possibility of unauthorized starting of the engine while equipment is not in use. Keep the key in a safe place. The engine cannot start without the key.
3. Wipe all snow and moisture from the area around the engine as well as the area in and around the wheel drive control and auger control. Also, engage and release both controls several times.

TO ENGAGE WHEEL DRIVE

1. With the throttle control in the Fast (rabbit)  position, move speed selector lever into one of the six forward (F) positions or two reverse (R) positions. Select a speed appropriate for the snow conditions and a pace you're comfortable with.

NOTE: When selecting a Drive Speed, use the slower speeds until you are comfortable and familiar with the operation of the snow thrower.

2. Squeeze the drive control against the handle and the snow thrower will move. Release it and drive motion will stop.

NOTE: NEVER reposition the speed selector lever (change speeds or direction of travel) without first releasing the drive control and bringing the snow thrower to a complete stop. Doing so will result in premature wear to the snow thrower's drive system.

OPERATION

TO ENGAGE AUGER

1. To engage the auger and start throwing snow, squeeze the auger control against the left handle. Release to stop the augers.

REPLACING SHEAR PINS

The augers are secured to the spiral shaft with shear pins and bow-tie cotter pins. If the auger should strike a foreign object or ice jam, the snow thrower is designed so that the pins may shear. If the augers will not turn, check to see if the pins have sheared. See Figure 17.

NOTE: Two extra shear pins are supplied in the manual bag.

⚠ CAUTION

NEVER replace the auger shear pins with anything other than OEM Part No. 738-04155 replacement shear pins. Any damage to the auger gearbox or other components as a result of failing to do so will NOT be covered by your snow thrower's warranty.

⚠ WARNING

Always turn off the snow thrower's engine and remove the key prior to replacing shear pins.

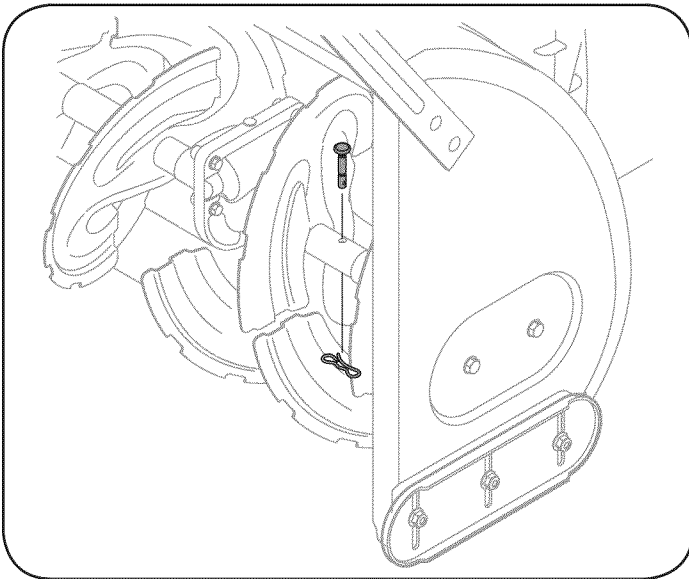


Figure 17

SERVICE AND MAINTENANCE

MAINTENANCE SCHEDULE

⚠ WARNING

Before performing any type of maintenance/service, disengage all controls and stop the engine. Wait until all moving parts have come to a complete stop. Remove the key to prevent unintended starting. Always wear safety glasses during operation or while performing any adjustments or repairs.

Follow the maintenance schedule given below. This chart describes service guidelines only. Use the Service Log column to keep track of completed maintenance tasks. **To locate the nearest Sears Service Center or to schedule service, simply contact Sears at 1-800-4-MY-HOME®.**

Interval	Item	Service	Service Log
Each Use	<ol style="list-style-type: none"> 1. Engine oil level 2. Loose or missing hardware 3. Unit and engine. 	<ol style="list-style-type: none"> 1. Check 2. Tighten or replace 3. Clean 	
1st 5 - 8 hours	<ol style="list-style-type: none"> 1. Engine oil 	<ol style="list-style-type: none"> 1. Change 	
25 hours	<ol style="list-style-type: none"> 1. Engine oil† 2. Control linkages and pivots 	<ol style="list-style-type: none"> 1. Change 2. Lube with light oil 	
50 hours	<ol style="list-style-type: none"> 1. Engine oil 	<ol style="list-style-type: none"> 1. Change 	
Annually or 100 hours	<ol style="list-style-type: none"> 1. Spark plug 	<ol style="list-style-type: none"> 1. Clean and re-gap, or else replace with new plug. 	
Before Storage	<ol style="list-style-type: none"> 1. Fuel system 	<ol style="list-style-type: none"> 1. Run engine until it stops from lack of fuel or add a gasoline additive to the gas in the tank. 	

† Under heavy load or in high temperatures

ENGINE MAINTENANCE

Checking Engine Oil

⚠ WARNING

Before lubricating, repairing, or inspecting, disengage all controls and stop engine. Wait until all moving parts have come to a complete stop. Remove the key to prevent unintended firing of the engine.

NOTE: Check the oil level before each use to be sure correct oil level is maintained.

When adding oil to the engine, refer to viscosity chart below. Engine oil capacity is approximately 37 ounces. Do not over-fill. Use a 4-stroke, or an equivalent high detergent, premium quality motor oil certified to meet or exceed U.S. automobile manufacturer's requirements for service classification SG, SF. Motor oils classified SG, SF will show this designation on the container.

1. Remove the oil filler cap/dipstick and wipe the dipstick clean.
2. Insert the cap/dipstick into the oil filler neck, but do *not* screw it in.

NOTE: On some engines, a threaded screw cap will be present instead of the quarter turn locking cap. In the instance of a threaded oil cap/dipstick, **DO NOT** screw the cap/dipstick in to check. Check the oil by resting the cap/dipstick on the threads, but not screwing it in.

3. Remove the oil filler cap/dipstick. If level is low, slowly add oil until oil level registers between high (H) and low (L). See Figure 18.
4. Replace and tighten cap/dipstick firmly before starting engine.

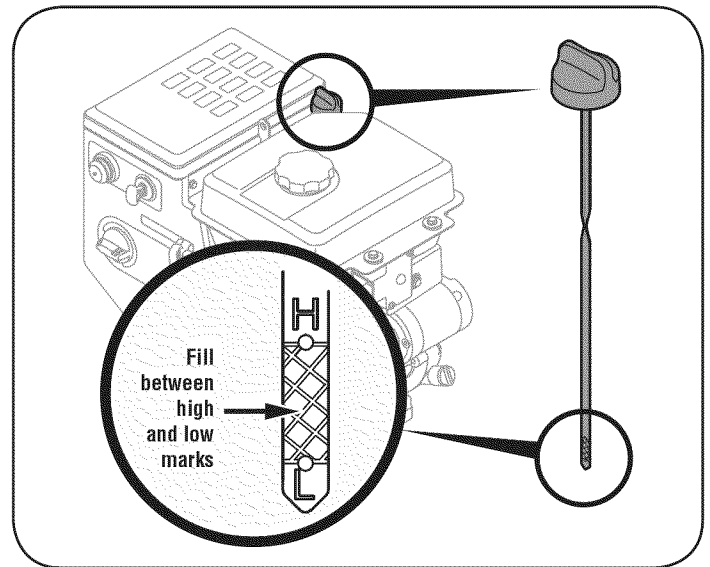


Figure 18

Changing Engine Oil

NOTE: Change the engine oil after the first 5 hours of operation and once a season or every 50 hours thereafter.

1. Drain fuel from tank by running engine until the fuel tank is empty. Be sure fuel fill cap is secure.
2. Place suitable oil collection container under oil drain plug.
3. Remove oil drain plug. See Figure 19.
4. Tip engine to drain oil into the container. Used oil must be disposed of at a proper collection center.

SERVICE AND MAINTENANCE

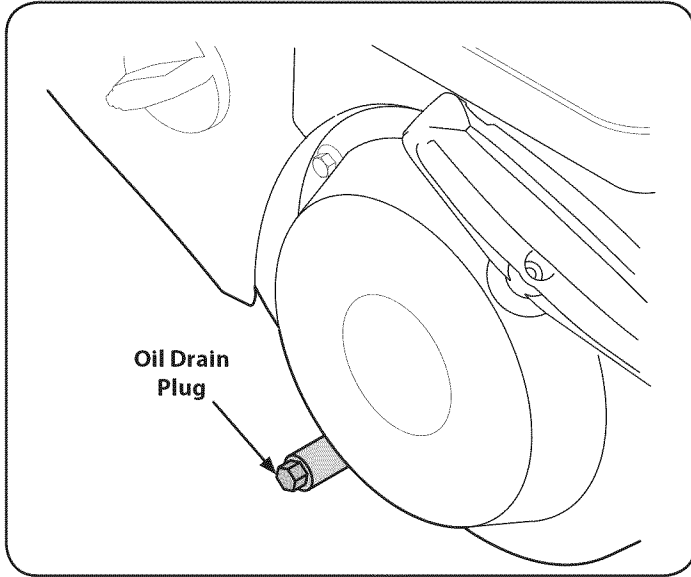


Figure 19

⚠ CAUTION

Used oil is a hazardous waste product. Dispose of used oil properly. Do not discard with household waste. Check with your local authorities or Sears Service Center for safe disposal/recycling facilities.

5. Reinstall the drain plug and tighten it securely.
6. Refill with the recommended oil and check the oil level. See Recommended Oil Usage chart. The engine's oil capacity is 37 ounces.

⚠ CAUTION

DO NOT use non-detergent oil or 2-stroke engine oil. It could shorten the engine's service life.

Synthetic					
0W-30					
5W-30					
(°F)	-40°	-20°	0°	20°	40°
(°C)	-30°	-20°	-10°	0°	

7. Reinstall the oil filler cap/dipstick securely.

⚠ CAUTION

Thoroughly wash your hands with soap and water as soon as possible after handling used oil.

Checking Spark Plug

⚠ WARNING

DO NOT check for spark with spark plug removed. DO NOT crank engine with spark plug removed.

⚠ WARNING

If the engine has been running, the muffler will be very hot. Be careful not to touch the muffler.

NOTE: Check the spark plug once a season or every 25 hours of operation. Change the spark plug once a season or every 100 hours.

To ensure proper engine operation, the spark plug must be properly gapped and free of deposits.

1. Remove the spark plug boot and use a spark plug wrench to remove the plug. See Figure 20.

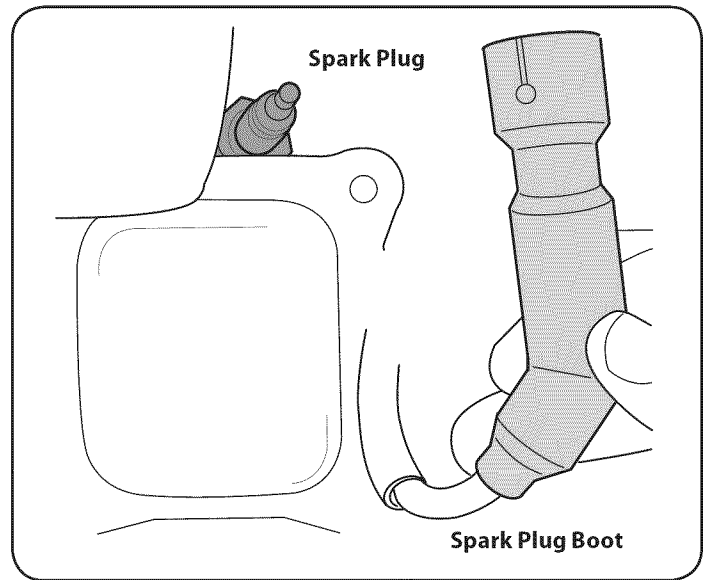


Figure 20

2. Visually inspect the spark plug. Discard the spark plug if there is apparent wear, or if the insulator is cracked or chipped. Clean the spark plug with a wire brush if it is to be reused.
3. Measure the plug gap with a feeler gauge. Correct as necessary by bending side electrode. See Figure 21. The gap should be set to .02-.03 inches (0.60-0.80 mm).

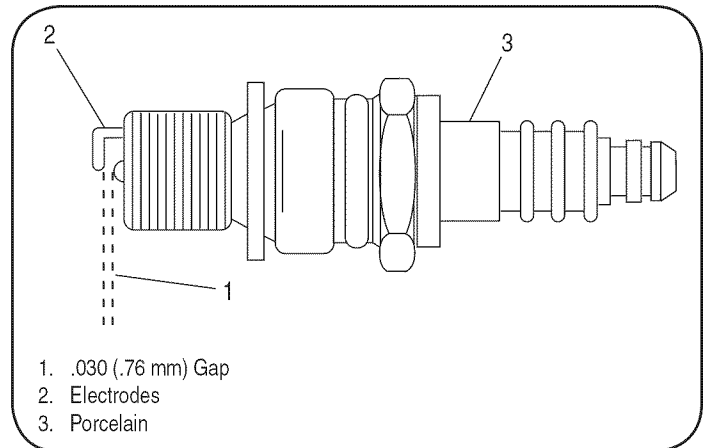


Figure 21

4. Check that the spark plug washer is in good condition and thread the spark plug in by hand to prevent cross-threading.

SERVICE AND MAINTENANCE

5. After the spark plug is seated, tighten with a spark plug wrench to compress the washer.

NOTE: When installing a new spark plug, tighten 1/2-turn after the spark plug seats to compress the washer. When reinstalling a used spark plug, tighten 1/8- to 1/4-turn after the spark plug seats to compress the washer.

⚠ CAUTION

The spark plug must be tightened securely. A loose spark plug can become very hot and can damage the engine.

CARBURETOR ADJUSTMENT

The carburetor is not user adjustable. Contact Sears Parts & Repair for adjustment.

LUBRICATION

Drive and Shifting Mechanism

At least once a season or after every 25 hours of operation, remove rear cover. Lubricate all chains, sprockets, gears, bearings, shafts, and the shifting mechanism. Use engine oil or a spray lubricant. Refer to Figure 22.

NOTE: Before tipping the unit on the front housing, run the fuel tank empty so fuel does not leak out of the fuel cap.

1. Carefully pivot the snow thrower up and forward so that it rests on the auger housing.
2. Remove the frame cover from the underside of the snow thrower by removing the self-tapping screws which secure it. Refer to Figure 27.
3. Apply a light coating of engine oil (or 3-in-1 oil) to the hex shaft. See Fig. 22.

NOTE: Be careful not to get any oil on the aluminum drive plate or rubber friction wheel. Doing so will hinder the snow thrower's drive system. Wipe off any excess or spilled oil.

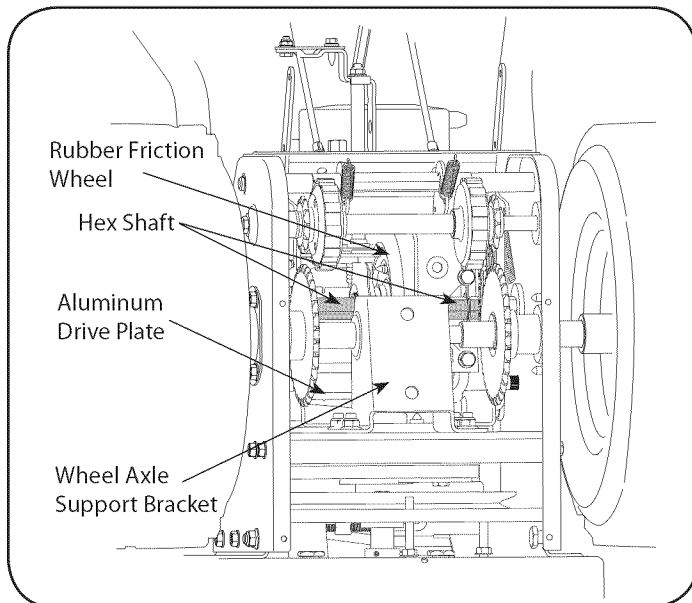


Figure 22

4. At least once a season grease the wheel axle with Arctic grease, part number 737-0318. The grease fitting is located on the wheel axle tube behind the wheel axle support bracket.

Wheels

At least once a season, remove both wheels. Clean and coat the axles with a multipurpose automotive grease before reinstalling wheels.

Chute Directional Control

Once a season, lubricate the eye bolt bushing and the spiral with 3-in-1 oil.

Auger Shaft

At least once a season, one at a time, remove all of the shear pins from the auger shaft. Spray lubricant inside the hub of each auger spiral assembly and around the spacers on the auger shaft.

Grease fittings can also be found at each end of the auger shaft. Lubricate with a grease gun once a season. See Figure 23.

Gear Case

The auger gear case is equipped with a grease fitting. Lubricate with grease once a season (order part number 737-0168). See Figure 6-2.

NOTE: To relieve pressure, remove the vent plug before lubricating the gear case. See Figure 23. Failure to do so could result in damage to the gear case seals.

Augers

Each of the auger spiral assemblies is secured to the spiral shaft with a shear pin and cotter pin. If the auger should strike a foreign object or ice jam, the snow thrower is designed so that the pins may shear.

1. If augers do not turn, check to see if pins have sheared.
2. Replace the pins if needed. Two replacement shear pins and cotter pins have been provided with the snow thrower. Spray an oil lubricant into shaft before inserting new pins and securing with new cotter pins. See Fig. 23.

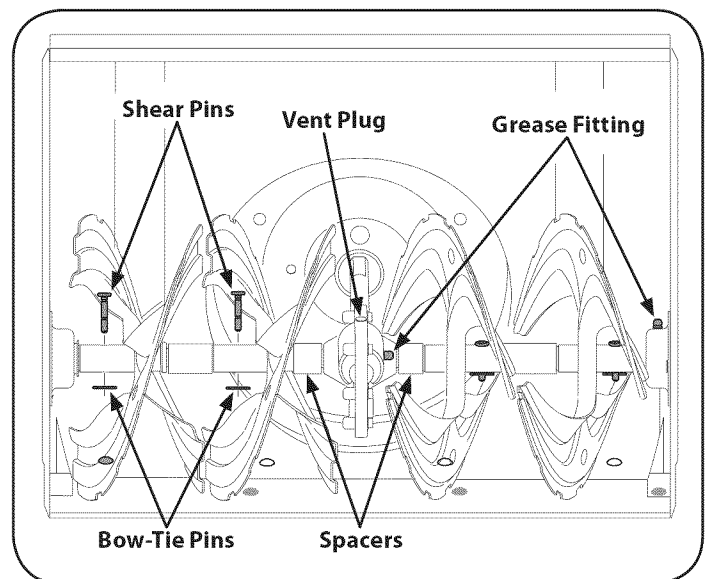


Figure 23

SERVICE AND MAINTENANCE

SHAVE PLATE AND SKID SHOES

The shave plate and skid shoes on the bottom of the snow thrower are subject to wear. They should be checked periodically and replaced when necessary.

Skid Shoes

NOTE: The skid shoes on this machine have two wear edges. When one side wears out, they can be rotated 180° to use the other edge.

1. Remove the six carriage bolts and hex nuts that secure the two skid shoes to the sides of the auger housing. Refer to Figure 24.
2. Position the new skid shoes and secure with the carriage bolts and hex nuts. Make certain the skid shoes are adjusted to be level.

Shave Plate

1. Remove the hex nuts and carriage bolts that secure the shave plate to the bottom of the housing. Refer to Figure 24.
2. Remove the rear most hex nut and carriage bolt securing the back of each skid shoe to the sides of the housing. Loosen the four remaining hex nuts securing the skid shoes.
3. Slide the shave plate out of the off-set slot at the bottom of the housing, and from between the skid shoes and side panels of the housing.
4. With the mounting holes toward the back of the unit, slide the new shave plate into position and secure with the fasteners removed previously.

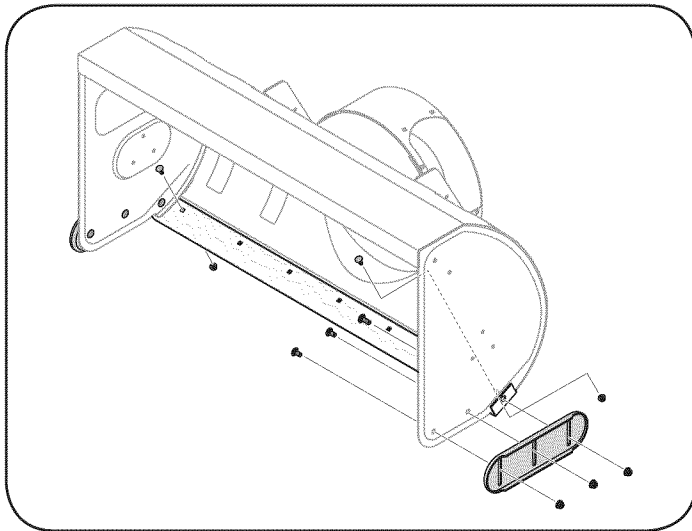


Figure 24

ADJUSTMENTS

Shift Cable

If the full range of speeds (forward and reverse) cannot be achieved, refer to the Figure 25 and adjust the shift cable as follows:

1. Place the shift lever in the fastest forward speed position.
2. Loosen the hex nut on the shift cable index bracket. See Fig. 25.
3. Pivot the bracket downward to take up slack in the cable.
4. Retighten the hex nut.

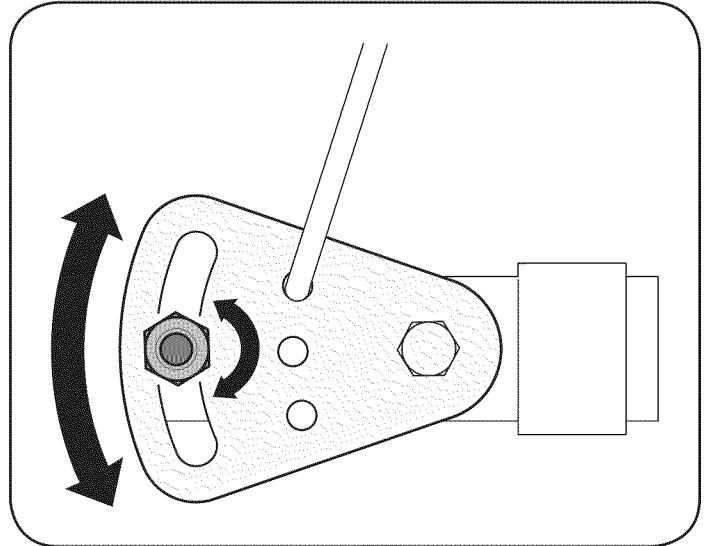


Figure 25

Chute Bracket Adjustment

If the spiral at the bottom of the chute directional control is not fully engaging with the chute assembly, the chute bracket can be adjusted. To do so:

5. Loosen the two nuts which secure the chute bracket and reposition it slightly. See Figure 26.
6. Retighten the nuts.

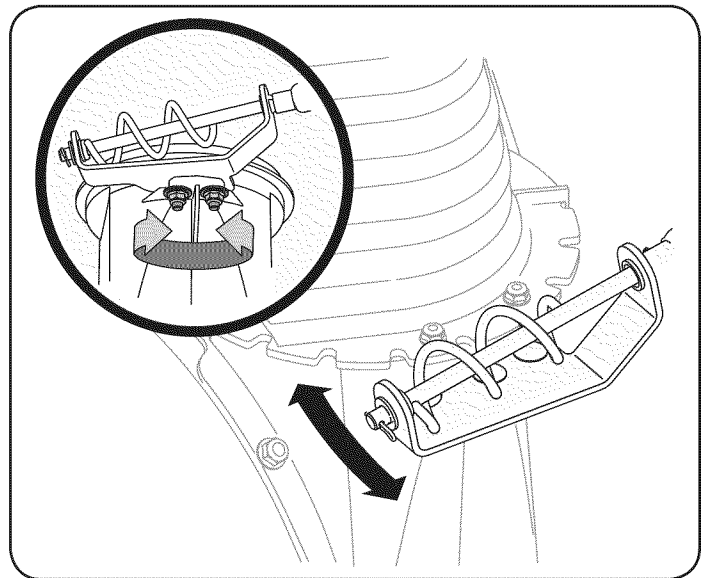


Figure 26

Chute Control

The distance snow is thrown can be adjusted by adjusting the angle of the chute assembly. Refer to the Operation section for instructions.

The remote chute control cables have been pre-adjusted at the factory. Move the remote chute lever on the control panel forward to pivot the upper chute down; move the lever rearward to pivot the upper chute up.

SERVICE AND MAINTENANCE

Wheel drive control

Refer to the Adjustment section of the Assembly instructions to adjust the wheel drive control. To further check the adjustment, proceed as follows:

1. With the snow thrower tipped forward (be certain to run the fuel tank dry before tipping the unit forward), remove the frame cover underneath the snow thrower by removing the self-tapping screws. See Fig. 27.

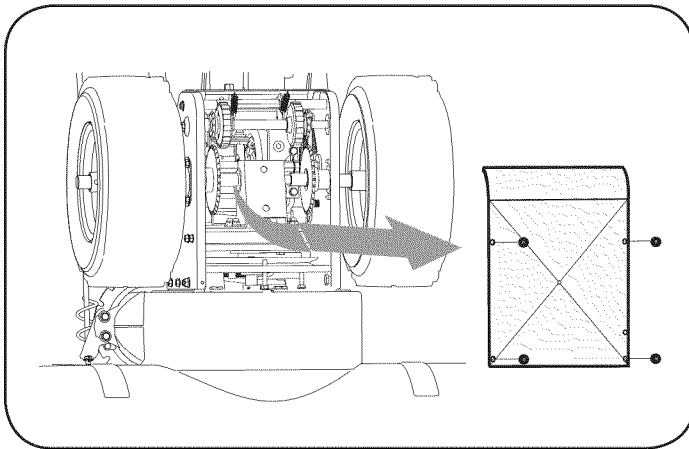


Figure 27

2. Locate the opening between the axle support bracket and the front frame support (See Figure 28). Looking through this opening, with the wheel drive control released, there must be clearance between the friction wheel and the drive plate in all positions of the speed selector lever.
3. With the wheel drive control engaged, the friction wheel must contact the drive plate. See Figure 28.

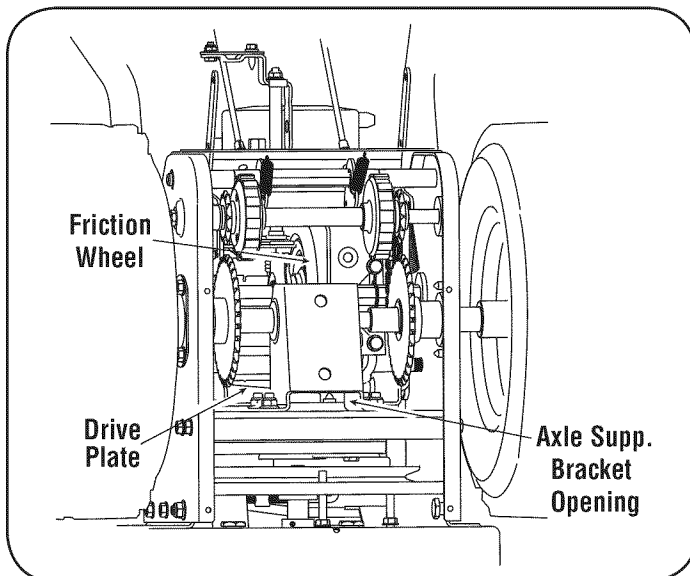


Figure 28

4. If there is no friction wheel clearance, or the friction wheel does not solidly contact the drive plate, re-adjust the lock nut on the lower end of the drive cable following the instructions in the Assembly section.
5. Reassemble the frame cover.

Auger Control

Refer to the Assembly section for instructions on adjusting the auger control cable.

Skid Shoes

Refer to the Assembly section for instructions on adjusting the skid shoes.

Tire Pressure

Refer to the Assembly section for instructions on adjusting the tire pressure.

BELT REPLACEMENT

Belt Removal Preparation

1. Remove the chute crank rod from the chute crank assembly by removing the hair pin clip shown in Fig. 29. Move the chute crank rod away from the assembly as shown.
2. Remove three self-tap screws on both sides of the transmission housing as shown in Fig. 29.

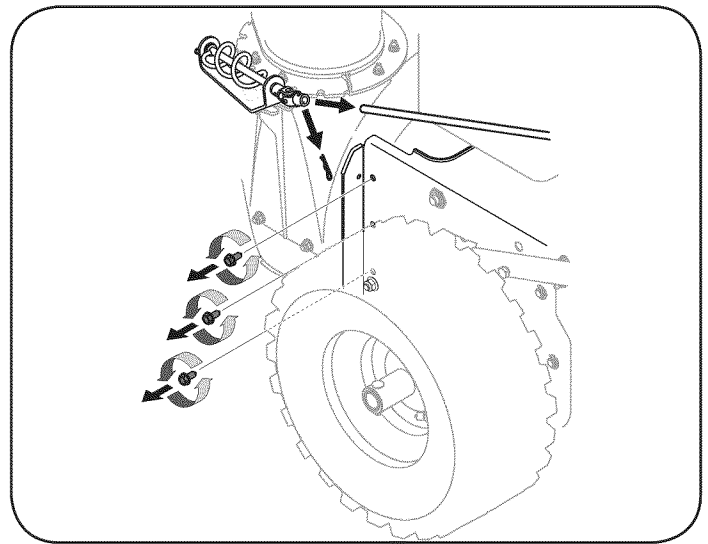


Figure 29

3. Remove the plastic belt cover, located near the engine, by removing the three self-tapping screws that secure it. See Figure 30.

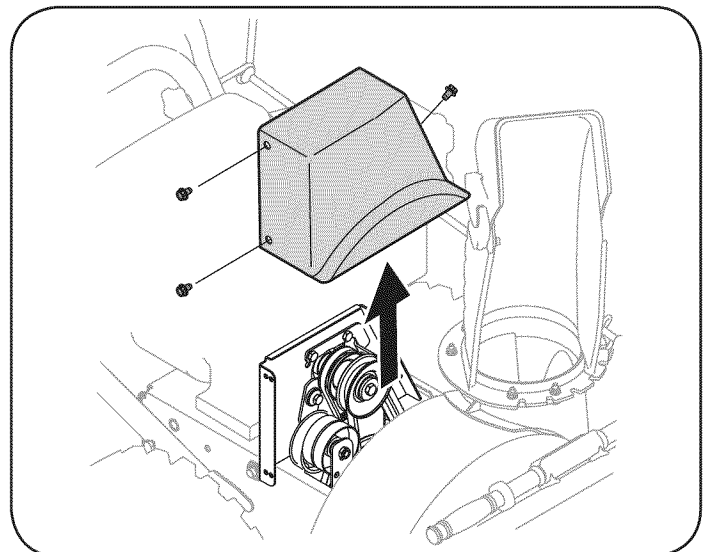


Figure 30

SERVICE AND MAINTENANCE

- Loosen the bolt shown in Figure 31 securing the belt keeper bracket and remove the other bolt. Push the belt keeper and bracket up off the engine pulley.

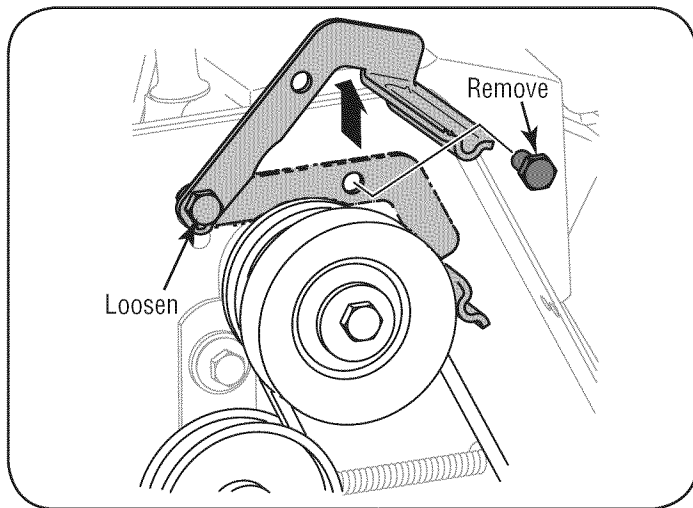


Figure 31

Auger Belt Replacement

- Remove the bow-tie clip and flat washer from the ferrule in order to disconnect the auger idler rod from the brake bracket assembly. See Figure 32.

NOTE: Make sure that the location of the ferrule on the auger idler rod is maintained.

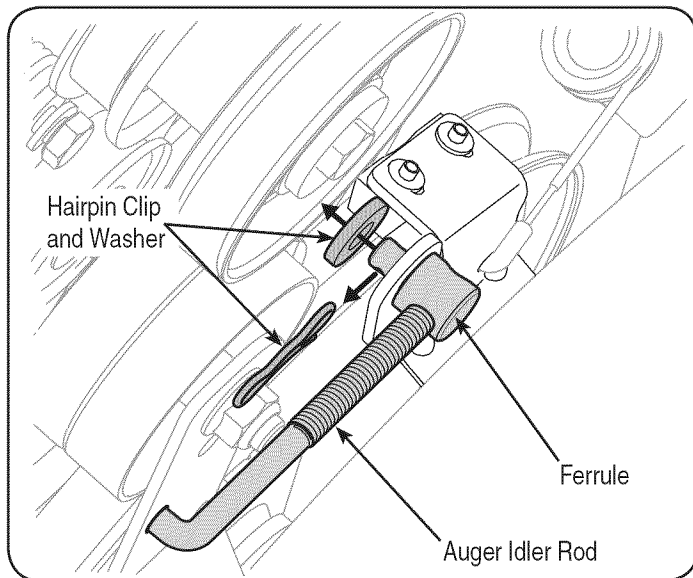


Figure 32

- Slip the auger control belt (the front belt) off the engine pulley.
- Pull the brake bracket assembly towards the cable guide roller and unhook the auger cable z-fitting. See Figure 33.
- From both sides of the the frame assembly, use a 1/2" wrench to remove the three hex tap screws securing the frame to the auger housing assembly. Refer back to Figure 29.

NOTE: Do not remove the lower hex flange lock nut on each side.

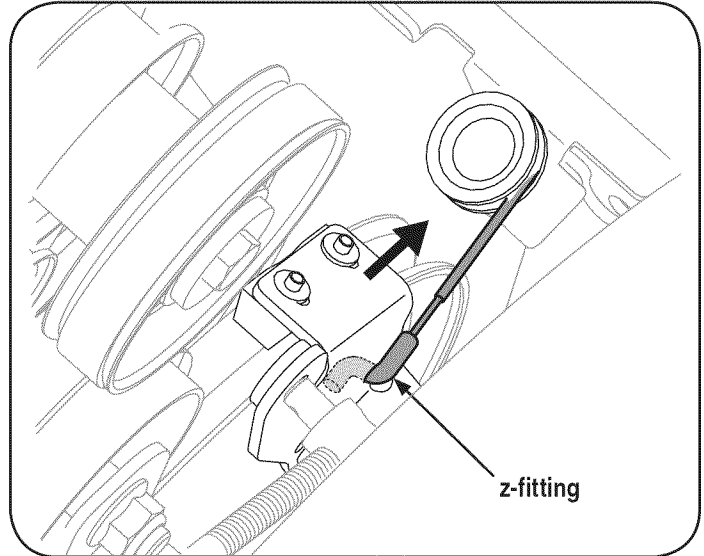


Figure 33

- Place a block of wood underneath the auger housing as shown in Figure 34 and separate auger housing from the frame by tilting the housing forward and pulling up the handles.

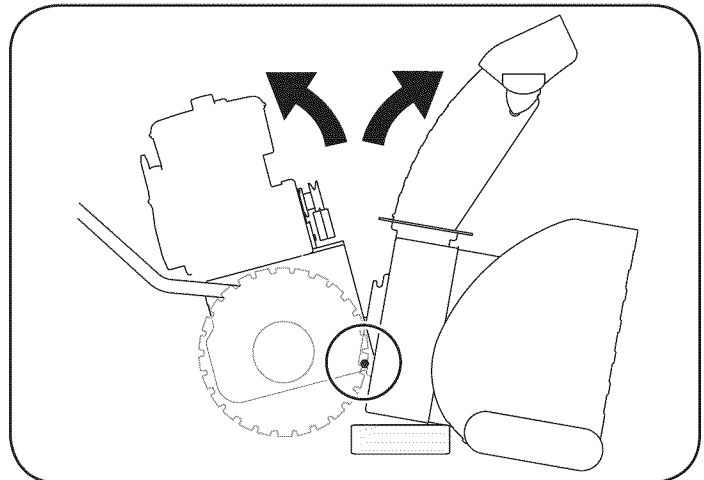


Figure 34

- Block the impeller with a piece of wood to prevent it from spinning and use a 1/2" wrench to remove the hex screw and flat washer from the center of the pulley on the auger housing. See A in Fig. 35.
- Lift the brake bracket assembly out of the pulley groove (B in Figure 35) and slide the pulley assembly off the posts of the auger pulley adapter (C) to remove the old belt.

NOTE: The pulley adapter may slide off the auger input shaft when removing the pulley. Use extra caution to ensure the adapter does not fall and/or get damaged when removing the pulley.

- Place the new auger belt in the V-groove of the auger pulley and place the pulley w/belt inside the belt keepers.
- Turn the pulley as necessary to align its three slots approximately with the posts of the pulley adapter, then pivot the brake bracket assembly away from the pulley groove. While aligning the pulley slots and adapter posts, push the auger pulley fully onto the adapter. Refer to Figure 35. Ensure the brake puck of the brake bracket assembly aligns and is fully seated in the pulley groove.

SERVICE AND MAINTENANCE

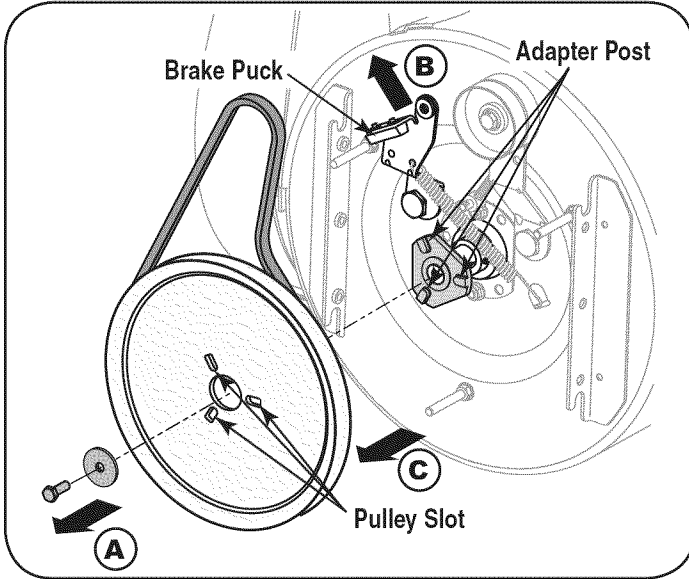


Figure 35

NOTE: If the pulley adapter was removed with the pulley, align the splines of the pulley adapter and auger input shaft, and push the pulley and adapter onto the input shaft. Refer to Figure 35.

10. Slide the washer onto the hex screw removed earlier and apply Loctite 262 to the threads of the hex screw.
11. Insert the hex screw through the pulley assembly and into the threads of the input shaft. Torque the hex screw to 250-325 in. lbs. to secure the auger pulley assembly on the input shaft.
12. If also replacing the drive belt, proceed to the "Drive Belt" instructions. If not, reposition the transmission frame back onto the auger housing.
13. Install the drive belt on the engine pulley, re-connect the auger cable z-fitting and auger idler rod ferrule to the brake bracket. Reposition and secure the engine pulley belt guard, and re-install the belt cover.

NOTE: Make sure to remove the piece of wood blocking the impeller. Check the auger drive belt adjustment. With the auger clutch lever in the disengaged position, the top surface of the new belt should be even with the outside diameter of the pulley.

To adjust, disconnect ferrule from brake bracket assembly. Thread ferrule in (towards idler) to increase tension on belt, or out to decrease belt tension.

NOTE: The brake puck must always be firmly seated in the pulley groove when auger control is disengaged.

IMPORTANT: Repeat the "Auger Drive Control Test" from the Assembly section before operating snow thrower.

Drive Belt Replacement

If not already done, remove the auger drive belt from the front pulley of the engine double pulley. Refer to "Auger Belt Replacement" instructions in the previous sub-section.

1. a. Pull the idler pulley away from the backside of the drive belt to relieve the tension. See Figure 36.
- b. Slip the drive belt off the idler pulley. Carefully release the idler pulley.

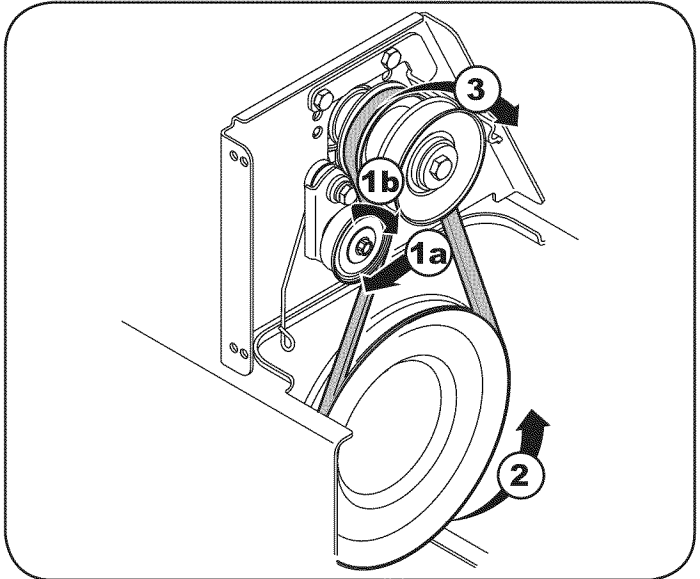


Figure 36

2. Roll the drive belt off the lower drive pulley.
3. Remove the belt from the engine pulley.
4. Install the new belt on the pulleys in the reverse order and re-tension with the idler pulley.
5. Reassemble by performing the previous steps in the opposite order and manner of removal.

CHANGING FRICTION WHEEL

The rubber on the friction wheel is subject to wear and should be checked periodically. Replace the friction wheel if any signs of wear or cracking are found.

1. Run the unit's fuel tank dry before performing Step 2. Do not attempt to pour fuel from the engine.
2. Tip the snow thrower up and forward, so that it rests on the housing.
3. Remove screws from the frame cover underneath the snow thrower (refer to Figure 37). Remove the right wheel from the axle.

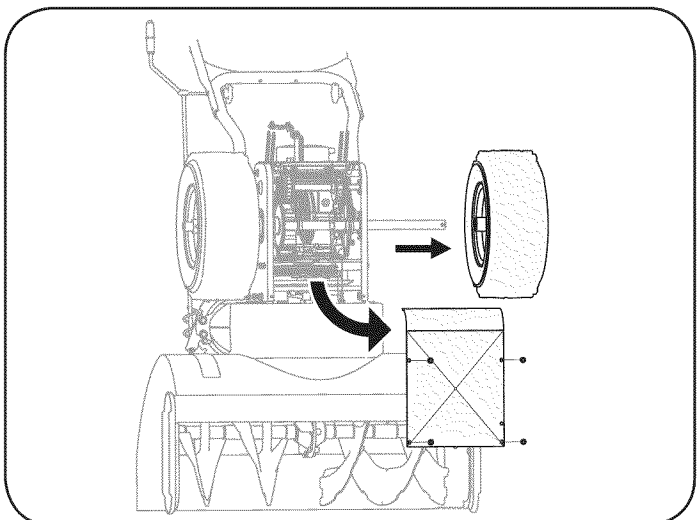


Figure 37

SERVICE AND MAINTENANCE

- Using a 3/4" wrench, hold the hex shaft and remove the hex screw and belleville washer and bearing from left side of the frame. Refer to Figure 38.

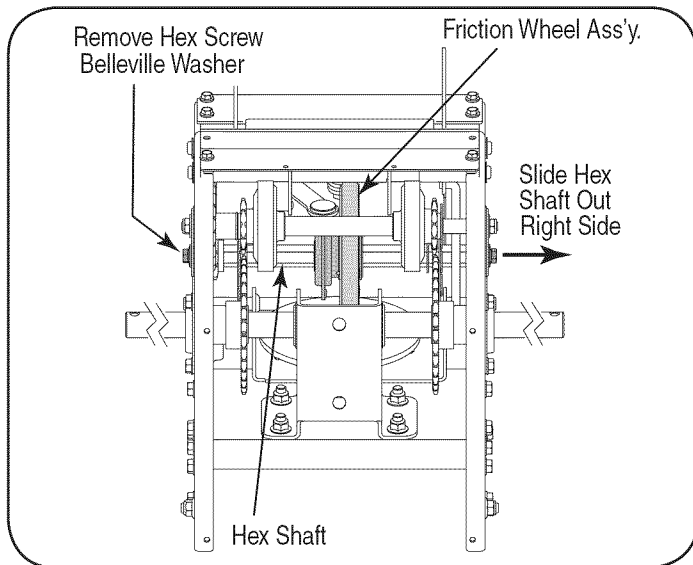


Figure 38

- Holding the friction wheel assembly, slide the hex shaft out of the friction wheel assembly and the right side of the frame. The spacer on the left side of the hex shaft will fall and the sprocket should remain hanging loose in the chain.
- Lift the friction wheel assembly out between the axle shaft and the drive shaft assemblies.
- Remove four screws securing the friction wheel to the hub assembly (refer to Figure 39). Discard old friction wheel.

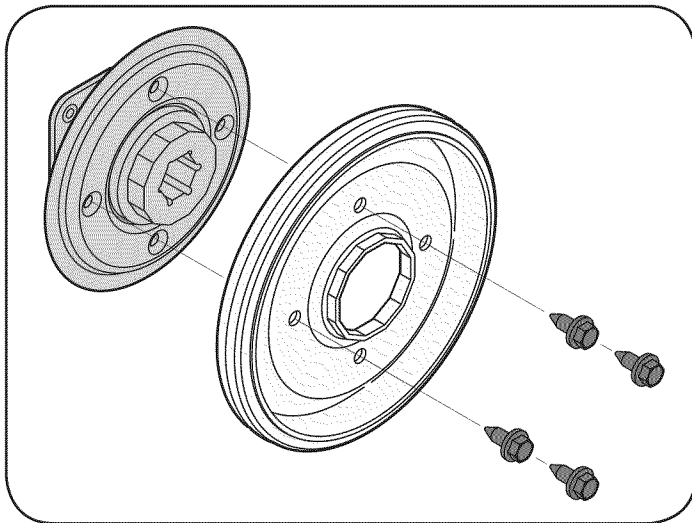


Figure 39

- Reassemble the new friction wheel onto the hub assembly, tightening the four screws in rotation and with equal force. It is important to assemble the friction wheel symmetrically for proper functioning.
- Reposition the friction wheel assembly in the snow thrower frame. Insert the pin from the speed selector arm assembly into the friction wheel assembly and hold assembly in position. Refer to Figure 40.

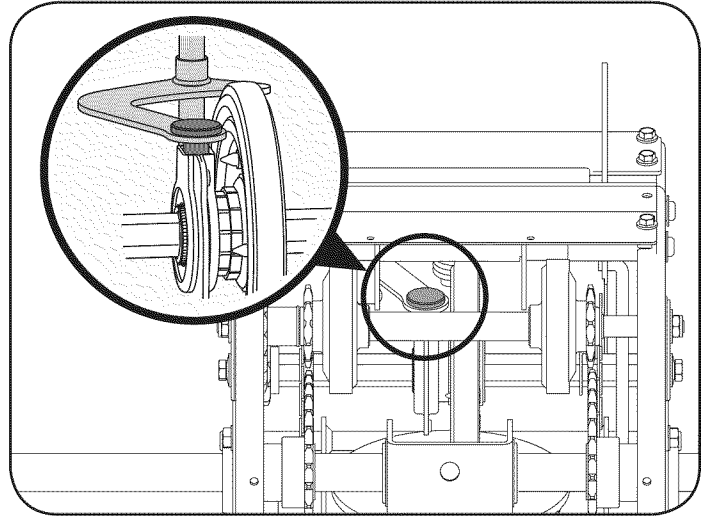


Figure 40

- Slide the hex shaft through the right side of the frame toward the left side and through the friction wheel assembly.
- After making certain that the chain is on both the large and the small sprocket, align the hex shaft with the hex hub of the small sprocket, and slide the shaft through the sprocket.

NOTE: If the sprocket fell from the snow thrower while removing the hex shaft, place the sprocket on the chain. Realign the sprocket on the chain with the hex hub facing the right side of unit. Position the hex hub of the sprocket toward the friction wheel when sliding the sprocket on to the hex shaft.

- Slide the spacer onto the end of the hex shaft.

Note: The spacer is to be placed on the hex shaft between the sprocket and bearing previously removed on the left side of the frame.

- Align the bearing on the right end of the hex shaft with the hole in the right side of the frame, then push the hex shaft to the left into position in the frame.
- Slide the bearing onto the left end of the hex shaft and press into the hole on the left side the frame.
- Place the belleville washer (rounded side toward head) onto the hex screw removed earlier, and insert the screw into the threaded hole of the hex shaft.
- Gradually tighten the hex screw to fully seat the bearings in each side of the frame and to secure the hex shaft.
- Position the frame cover on the bottom of the frame and secure with the self-tapping screws. Pivot the snow thrower down to it normal operating position.

IMPORTANT: Repeat the drive control test from the Assembly section of this manual before operating the snow thrower.

OFF-SEASON STORAGE

If the snow thrower will not be used for 30 days or longer, or if it is the end of the snow season when the last possibility of snow is gone, the equipment needs to be stored properly. Follow storage instructions below to ensure top performance from the snow thrower for many more years.

PREPARING ENGINE

Engines stored over 30 days need to be drained of fuel to prevent deterioration and gum from forming in fuel system or on essential carburetor parts. If the gasoline in your engine deteriorates during storage, you may need to have the carburetor, and other fuel system components, serviced or replaced.

1. Remove all fuel from tank by running engine until it stops. Do not attempt to pour fuel from the engine.
 2. Change the engine oil.
 3. Remove spark plug and pour approximately 1 oz. (30 ml) of clean engine oil into the cylinder. Pull the recoil starter several times to distribute the oil, and reinstall the spark plug.
 4. Clean debris from around engine, and under, around, and behind muffler. Apply a light film of oil on any areas that are susceptible to rust.
- Store in a clean, dry and well ventilated area away from any appliance that operates with a flame or pilot light, such as a furnace, water heater, or clothes dryer. Avoid any area with a spark producing electric motor, or where power tools are operated.

WARNING

Never store snow thrower with fuel in tank indoors or in poorly ventilated areas, where fuel fumes may reach an open flame, spark or pilot light as on a furnace, water heater, clothes dryer or gas appliance.

- If possible, avoid storage areas with high humidity.
- Keep the engine level in storage. Tilting can cause fuel or oil leakage.

PREPARING SNOW THROWER

- When storing the snow thrower in an unventilated or metal storage shed, care should be taken to rustproof the equipment. Using a light oil or silicone, coat the equipment, especially any chains, springs, bearings and cables.
- Remove all dirt from exterior of engine and equipment.
- Follow lubrication recommendations.
- Store equipment in a clean, dry area.
- Inflate the tires to the maximum PSI. Refer to tire sidewall.

TROUBLESHOOTING

Problem	Cause	Remedy
Engine fails to start	<ol style="list-style-type: none"> 1. Choke control not in CHOKE position. 2. Spark plug wire disconnected. 3. Faulty spark plug. 4. Fuel tank empty or stale fuel. 5. Engine not primed. 6. Key not inserted. 7. Extension cord not connected (when using electric start button, on models so equipped). 	<ol style="list-style-type: none"> 1. Move choke control to CHOKE position. 2. Connect wire to spark plug. 3. Clean, adjust gap, or replace. 4. Fill tank with clean, fresh gasoline. 5. Prime engine as instructed in the Operation Section. 6. Insert key fully into the switch. 7. Connect one end of the extension cord to the electric starter outlet and the other end to a three-prong 120-volt, grounded, AC outlet.
Engine running erratically/ inconsistent RPM (hunting or surging)	<ol style="list-style-type: none"> 1. Engine running on CHOKE. 2. Stale fuel. 3. Water or dirt in fuel system. 4. Over-governed engine. 	<ol style="list-style-type: none"> 1. Move choke control to RUN position. 2. Fill tank with clean, fresh gasoline. 3. Drain fuel tank by running engine until it stops. Refill with fresh fuel. 4. Contact your Sears Parts & Repair Center.
Excessive vibration	<ol style="list-style-type: none"> 1. Loose parts or damaged auger. 	<ol style="list-style-type: none"> 1. Stop engine immediately and disconnect spark plug wire. Tighten all bolts and nuts. If vibration continues, have unit serviced by a Sears Parts & Repair Center.
Loss of power	<ol style="list-style-type: none"> 1. Spark plug wire loose. 2. Gas cap vent hole plugged. 	<ol style="list-style-type: none"> 1. Connect and tighten spark plug wire. 2. Remove ice and snow from gas cap. Be certain vent hole is clear.
Unit fails to propel itself	<ol style="list-style-type: none"> 1. Drive cable in need of adjustment. 2. Drive belt loose or damaged. 3. Worn friction wheel. 	<ol style="list-style-type: none"> 1. Adjust drive control cable. Refer to Service and Maintenance section. 2. Replace drive belt. Refer to Service and Maintenance section. 3. Have friction wheel replaced at a Sears Parts & Repair Center.
Unit fails to discharge snow	<ol style="list-style-type: none"> 1. Chute assembly clogged. 2. Foreign object lodged in auger. 3. Auger cable in need of adjustment. 4. Auger belt loose or damaged. 5. Shear pin(s) sheared. 	<ol style="list-style-type: none"> 1. Stop engine immediately and disconnect spark plug wire. Clean chute assembly and inside of auger housing with clean-out tool or a stick. 2. Stop engine immediately and disconnect spark plug wire. Remove object from auger with clean-out tool or a stick. 3. Adjust auger control cable. Refer to Assembly section. 4. Replace auger belt. Refer to Service and Maintenance section. 5. Replace with new shear pin(s).
Chute fails to easily rotate 180 degrees	<ol style="list-style-type: none"> 1. Chute assembled incorrectly. 	<ol style="list-style-type: none"> 1. Disassemble chute control and reassemble as directed in the Assembly section.

NEED MORE HELP?

You'll find the answer and more on managemylife.com – for free!

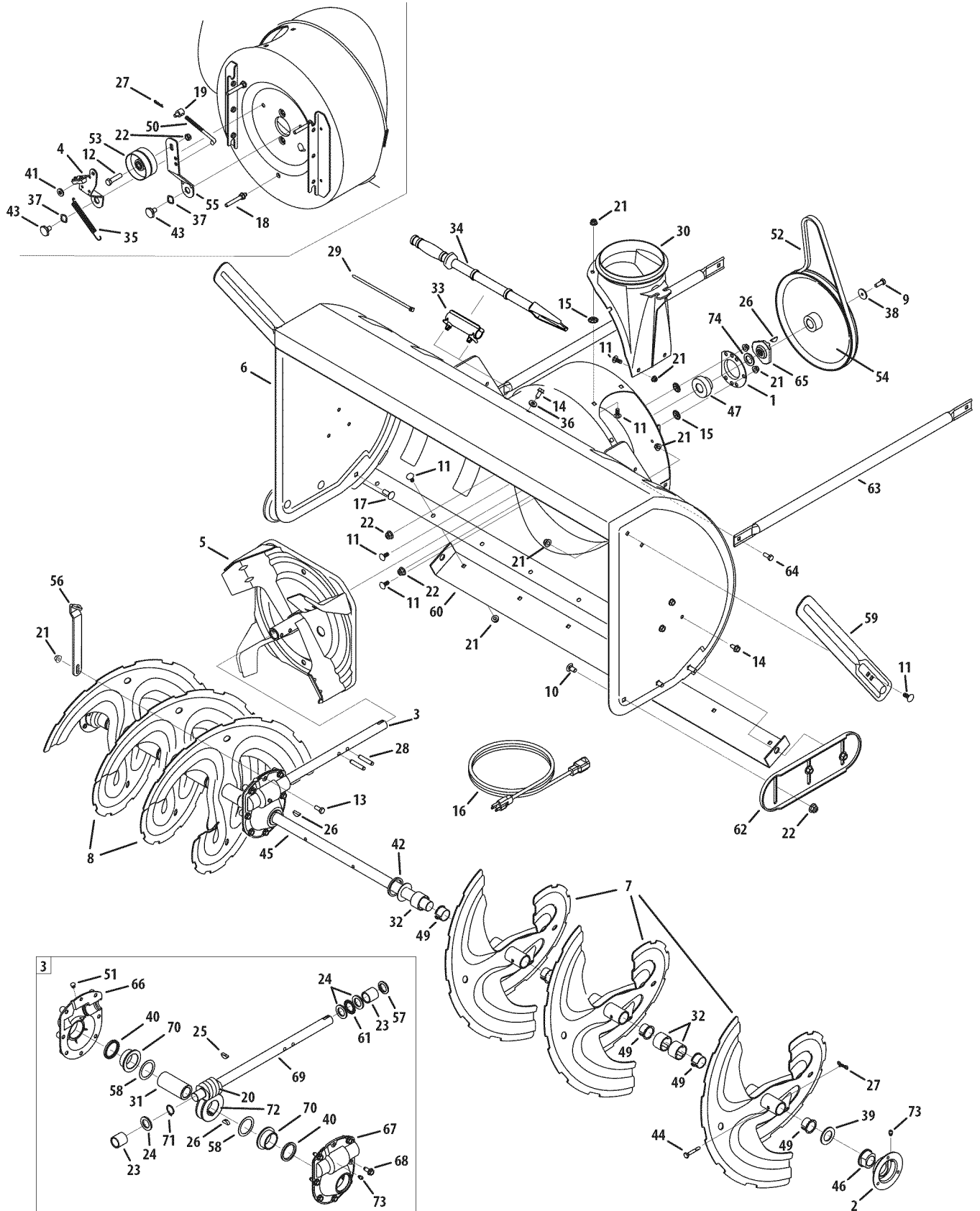
- Find this and all your other product manuals online.
- Get answers from our team of home experts.
- Get a personalized maintenance plan for your home.
- Find information and tools to help with home projects.



brought to you by Sears

PARTS LIST

Craftsman Snow Thrower Model 247.883980



PARTS LIST

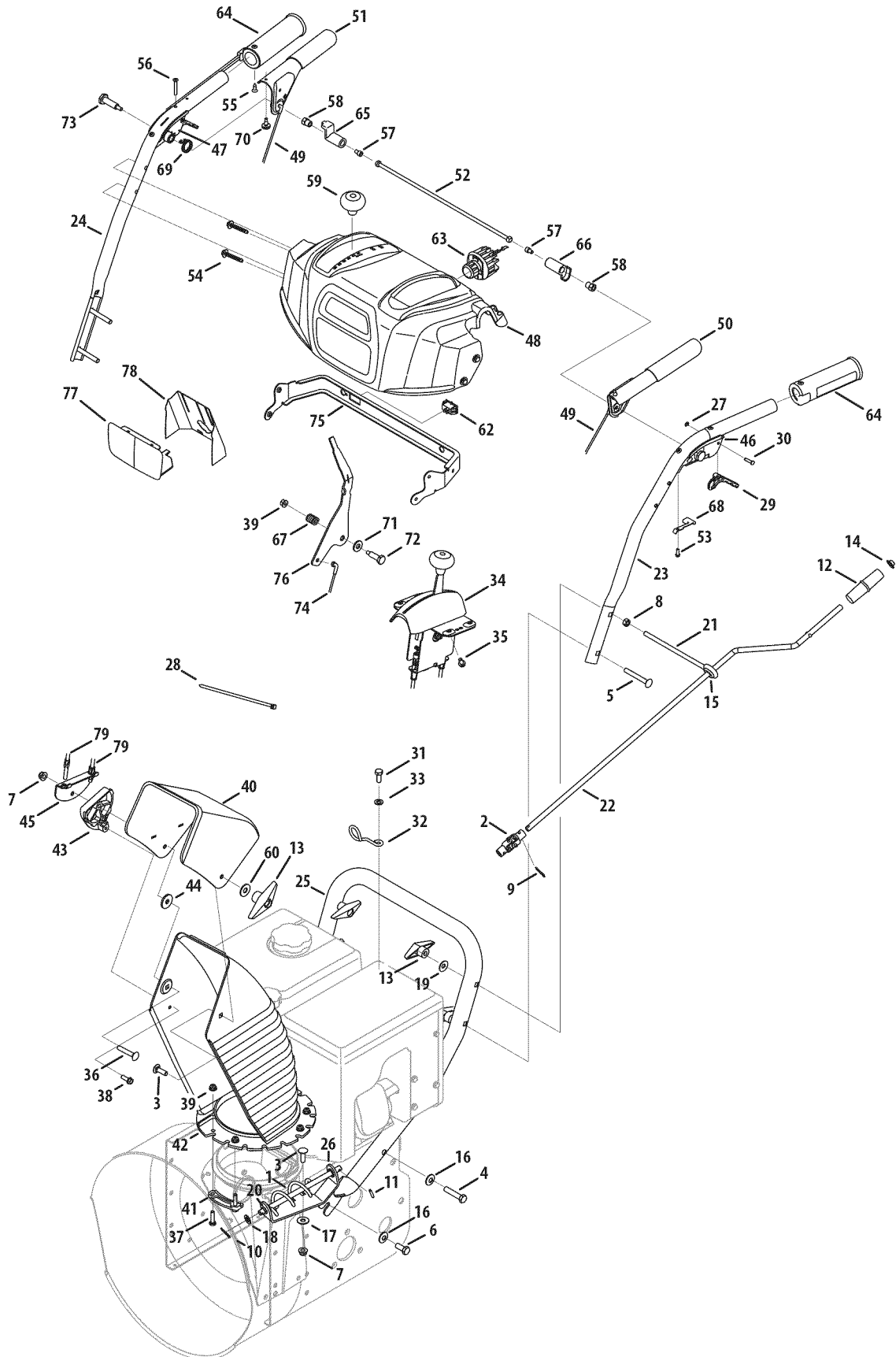
Craftsman Snow Thrower Model 247.883980

Ref. No.	Part No.	Description
1.	05244B	Housing, Bearing
2.	784-0315A	Housing, Bearing
3.	918-04514	Gear Box Assembly, Auger
4.	918-0281A	Bracket Assy, Auger Brake
5.	684-0090B-0637	Impellar, 16"
6.	684-04224-0691	Housing, Auger - 45"
7.	684-04151-4028	Spiral Assy, LH
8.	684-04152-4028	Spiral Assy, RH
9.	710-1245B	Screw, 5/16-24 x .875
10.	710-0389	Bolt, Carriage, 3/8-16 x .750
11.	710-0451	Screw, Carriage, 5/16-18 x .75
12.	710-0347	Screw, Hex Cap, 3/8-16 x 1.75
13.	710-0376	Screw, Hex Cap, 5/16-18 x 1.00
14.	710-04484	Screw, 5/16-18 x .750
15.	926-04012	Nut, Push
16.	929-0071A	Extension Cord, 110V
17.	710-3168	Bolt, Carriage, 3/8-16 x 1.0
18.	710-04606A	Screw, 5/16-18 x .4300
19.	911-0677	Ferrule
20.	917-0299	Gear, Worm, Dbl Thread
21.	712-04063	Nut, Flng Lk, 5/16-18
22.	712-04065	Nut, Flg Lk, 3/8-16
23.	941-0217	Sleeve
24.	936-0291	Washer, Flat, .88 ID x .38 OD
25.	914-0126	Key, Hi Pro, 3/16 x 3/4
26.	914-0135	Key, Woodruff, 1/4 x 3/4
27.	714-04040	Pin, Bowtie Cotter
28.	915-0118	Pin, Spirol, 5/16 x 1.75
29.	725-0157	Tie, Cable
30.	731-1696B	Adapter, Chute, 6"
31.	738-0275	Shaft, Gear, Worm
32.	731-05163	Spacer, 1.0 x 1.5 x 1
33.	731-2635	Clip, Mounting
34.	931-2643	Tool, Cleanout
35.	732-0858	Spring, Extension
36.	936-0159	Washer, .349 x .879 x .063
37.	736-0174	Washer, .625 x .885 x .015

Ref. No.	Part No.	Description
38.	736-0505	Washer, Flat, .34 x 1.50 x .150
39.	950-04020	Spacer, 1.004 x 1.375 x .25
40.	921-0146	Oil Seal
41.	936-3008	Washer, .344 x .75 x .12
42.	736-3046A	Washer, 1.01 x 1.86 x .06
43.	938-0281	Screw, Shoulder, .625 x .17
44.	738-04155	Pin, Shear, .25 x 1.75
45.	738-04159	Axle, Spiral, 45"
46.	741-0192	Bearing, Flange w/Flats
47.	941-04024	Bearing, Self Aligning
48.	941-0475	Bushing, Nylon
49.	741-0494	Bushing, Flange, 1.051 x 1.16
50.	747-0980A	Rod, Auger Idler
51.	721-0325	Plug
52.	954-04194A	V Belt, 4L x 44.60" Long
53.	756-0178	Pulley, Flat Idler, 2.75 OD
54.	756-04244A	Pulley, Auger Drive, 10.0
55.	784-0385C	Bracket, Auger Idler
56.	790-00264A-0637	Bracket, Gear Box Support
57.	921-0145	Seal, Oil
58.	936-0266	Washer, Flat, 1.52 ID x 2.0 OD
59.	790-00181	Drift Cutter
60.	790-00280-0637	Plate, Shave, 45"
61.	741-0184	Bearing, Thrust
62.	784-5697-0637	Shoe, Skid
63.	749-04384-0637	Support Tube
64.	710-3008	Screw, 5/16-18 x .75
65.	748-04067A	Pulley, Adapter, .75 Dia.
66.	918-0246	Hsg Assy Auger RH (Inc. 40 & 70)
67.	918-0247	Hsg Assy Auger LH (Inc. 40 & 70)
68.	710-1260A	Screw, LD, 5/16-18 x .750
69.	711-04714	Shaft, Drive, Auger
70.	741-0670	Flange Bearing
71.	716-0111	Ext, Ret, Ring
72.	917-1425	Gear, Worm, LH
73.	937-3000	Lube Fitting, 3/16 #70
74.	736-0188	Washer, .76 x 1.49 x .06

PARTS LIST

Craftsman Snow Thrower Model 247.883980



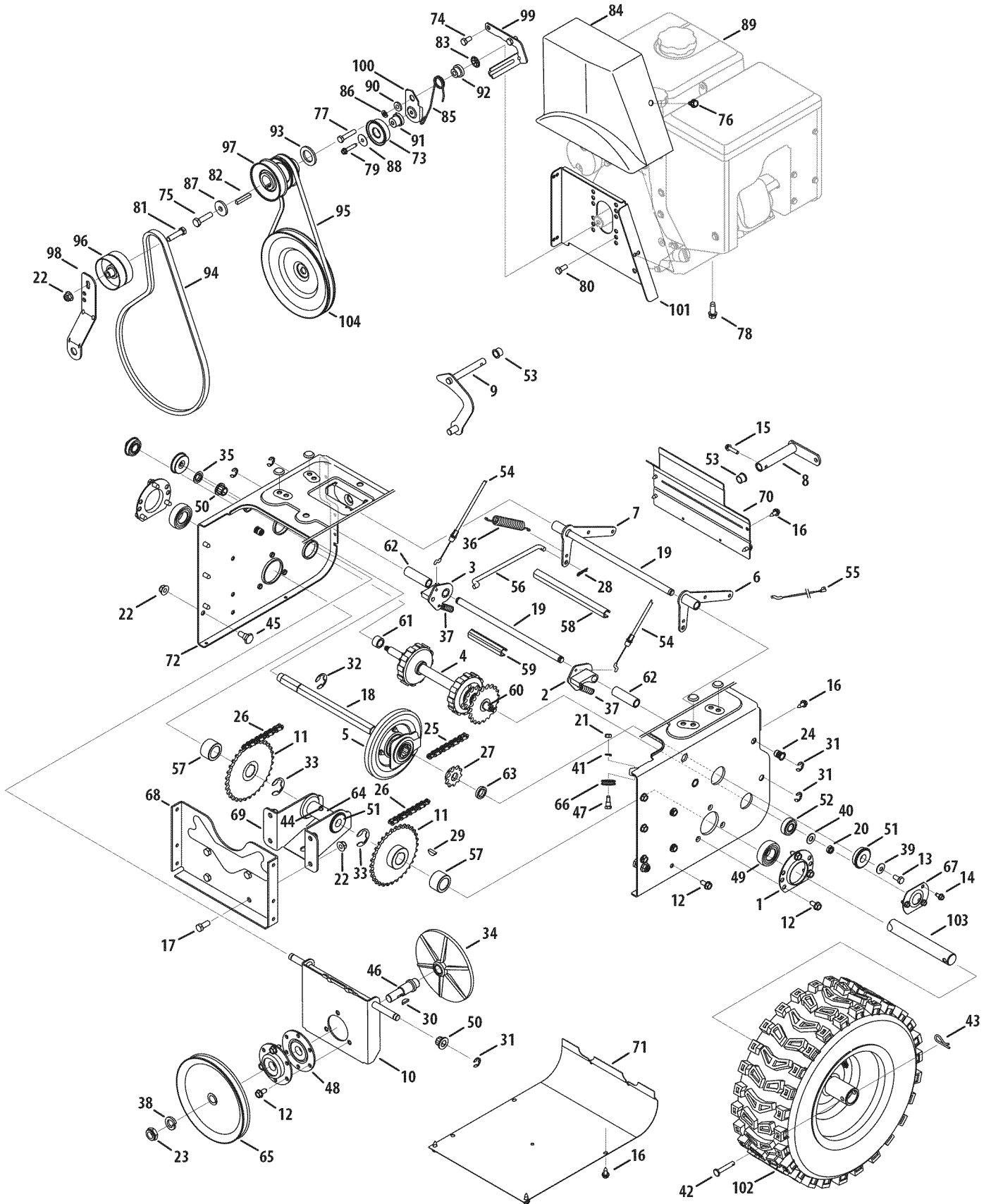
PARTS LIST

Ref. No.	Part No.	Description
1	684-04308A	Chute Crank Assembly
2	684-04350	Joint Block Assembly
3	710-0276	Screw, Carriage, 5/16-18 x 1.0
4	710-04682	Screw, Hex, 3/8-16 x 2.00 Lock, Gr5
5	710-0572	Screw, Carriage, 5/16-18 x 2.5
6	710-3118	Screw, Hex, 3/8-16 x 1.0 Lock, Gr5
7	712-04063	Flange Lock Nut, 5/16-18
8	912-3010	Hex Nut, 5/16-18
9	914-0101	Internal Cotter Pin
10	914-0104	Internal Cotter Pin
11	715-04095	Spring Pin
12	720-0201A	Knob, Crank
13	720-04072A	Knob, Wing Nut, 5/16-18
14	926-0100	Cap, Push, 3/8
15	735-0234	Grommet, Rubber
16	736-0105	Washer, Bel, .375 x .87 x .063
17	936-0159	Washer, Flat, .349 x .879 .063
18	936-0185	Washer, .375 x .738 x .063
19	736-0242	Washer, Belleville, .34 x .872 x .06
20	941-0475	Plastic Bushing, .380 I.D.
21	747-04747	Eye Bolt
22	747-04925A-0637	Chute Rod
23	749-04309-0691	Handle, Upper - LH
24	749-04310-0691	Handle, Upper - RH
25	749-0991-0691	Handle, Lower
26	790-00329-0637	Chute Crank Bracket
27	716-04036	Ring, Retainer
28	725-0157	Cable Tie
29	731-06113	Trigger
30	738-04126	Pin, 3/16
31	710-04022	Hex Head Screw, MB 1.25
32	732-04677	Cable Guide
33	936-0264	Flat Washer, .330 x .630 x .0635
34	984-04230	2-Way Chute Control™ Assy
35	710-04187	Hi-Lo Screw, 1/4-15 x 0.5
36	710-0458	Bolt, Carriage, 5/16-18 x 1.75
37	710-0597	Screw, 1/4-20 x 1.00
38	710-0895	Hi-Lo Screw, 1/4-15 x .75
39	712-04064	Flange Lock Nut, 1/4-20
40	731-0846C	Upper Chute
41	731-0851A	Chute, Flange Keeper

Ref. No.	Part No.	Description
42	731-0903E	Lower Chute
43	731-1313C	Chute Tilt Cable Guide
44	936-0231	Flat Washer
45	784-5594-0637	Cable Bracket
46	631-04133A	Handle Clutch Lock - LH
47	631-04134B	Handle Clutch Lock - RH
48	931-04187A	Handle Panel
49	646-0012	Cable Assembly, Auger/Drive
	746-0952	Cable, Clutch
	732-0184	Spring, Extension
50	684-04111B	Handle Engage Assy - LH
51	684-04112B	Handle Engage Assy - RH
52	684-04250	Rod Ass'y, Clutch Lock Pivot
53	710-04326	Screw, #8-16 x 0.50
54	710-04586	Screw, 1/4-20 x 1.625
55	710-0837	AB Screw, #10-16
56	710-1233	Screw, #10-24 x 0.375
57	710-3069	Screw, 1/4-20 x.375
58	712-04081A	Shoulder Nut, 1/4-20
59	720-04039	Shift Knob
60	736-0159	Flat Washer, .349 x .879 x .063
61	725-05148	Wiring Harness (Not Shown)
62	725-04393	Htd. Hand Grip on/off Switch
63	925-1649	Light Socket
64	725-05149	Heated Hand Grip
65	731-04894D	Lock Plate
66	731-04896B	Clutch Lock Cam
67	732-0193	Compression Spring
68	732-04219C	Clutch Lock Spring
69	732-04238	Torsion Spring
70	935-0199A	Rubber Bumper
71	936-0267	Flat Washer, .385 x .87 x .06
72	738-04125	Shoulder Screw
73	738-04348	Shoulder Screw, 1/4-20 x 1.345
74	746-04341	Speed Selector Cable
75	790-00248B-0637	Panel Bracket
76	790-00281B-0637	Shift Lever
77	731-05324	Lens Panel
78	777X41804	Reflector Label
79	746-04338	Cable, Chute Tilt
80	710-0599	Self-Tap Screw (Not Shown)

PARTS LIST

Craftsman Snow Thrower Model 247.883980



PARTS LIST

Craftsman Snow Thrower Model 247.883980

Ref. No.	Part No.	Description
1.	05244B	Housing, Bearing
2.	618-0279P	Dogg, Steering Drive, LH
3.	618-0280P	Dogg, Steering Drive, RH
4.	918-0282E	Shaft Assembly, Steering
5.	918-04178	Assembly, Friction Wheel
	718-04034	Wheel, Friction, Bonded
	710-0896	Screw, Hex Wash
6.	684-0118B-0637	Bracket, Auger Actuator
7.	684-0119B-0637	Bracket, Drive Actuator
8.	684-0161-0637	Arm, Shift
9.	984-04103	Rod Assembly, Shift
10.	684-04212-0637	Bracket, Friction Drive Support
11.	684-04235	Sprocket, 32T
12.	710-04484	TT Screw, 5/16-18 x .750
13.	710-0538	Screw, Hex Cap Lock,
14.	710-0599	Screw, Hex, 1/4-20 x .50
15.	710-0788	Screw, Hex, 1/4-20 x 1.00
16.	710-1652	Screw, Hex Wash.
17.	710-3001	Screw, Hex Cap, 3/8-16
18.	911-04279	Shaft, Hex Drive
19.	711-04605	Shaft, Actuator
20.	912-0116	Nut, Hex Insert Jam Lock
21.	912-0138	Nut, Hex, 1/4-28 GR5
22.	712-04065	Nut, Hx Flnge Insert Lk
23.	912-0413	Nut, Hx Insert Jam Lk
24.	712-0717	Nut, Insert 3/8-16
25.	713-0284	Chain, Endless, #41 x 36L
26.	713-0286	Chain, #420 x 40L
27.	913-04015	Sprocket, #41 x 10T
28.	914-0104	Pin, Internal Cotter
29.	914-0135	Key, Woodruff
30.	914-0388	Key, Hi-Pro, 3/16 x 5/8
31.	916-0104	E-Ring
32.	716-0136	Ring, Retaining
33.	716-04048	Ring, Retainer
34.	917-0302	Plate, Drive
35.	726-0221	Speed Nut, .500
36.	932-0121	Spring, Extension
37.	932-0209	Spring, Extension
38.	936-0158	Washer, Lock, 5/8
39.	736-0242	Washer, Bell., .34 x .872 x .06

Ref. No.	Part No.	Description
40.	936-0300	Washer, .406 x .875 x .059
41.	936-0329	Washer, Lock, 1/4
42.	711-04615	Pin, Clevis
43.	914-0149B	Pin, Internal Cotter
44.	937-3000	Fitting, Lube, 3/16 Drive
45.	738-0143	Screw, Shldr., .498 x .34
46.	738-0279	Spindle, Drive Plate
47.	738-0924A	Screw, Hex Shldr., 1/4-28
48.	741-0163A	Ass'y, Bearing/Housing
49.	941-04025	Bearing, Self Aligning
50.	741-04108	Bearing, Hex Flange
51.	941-0563	Bearing, Ball
52.	741-0747	Bush, Flg, .5625 ID x 1.375 x .4375
53.	741-0748	Bush, Flg, .5 ID x .627 OD
54.	746-04337A	Cable, Steering
55.	946-0951A	Cable, Auger Idler
56.	747-0973	Rod, Drive Clutch
57.	750-04703	Spacer, 1.01 x 1.50 x .93
58.	750-04717	Spacer, .49 x 7.865
59.	750-04718	Spacer, .49 x 3.545
60.	750-05342	Spacer, .566 x .87 x .190
61.	750-05343	Spacer, .566 x .87 x 1.25
62.	750-0903B	Spchr., .514 x .632 x 2.44
63.	950-0997	Spacer, .675 x 1.0 x .23
64.	750-1302B	Spchr, .6725 x 1.125 x 2.48
65.	756-0344	Pulley, Drive
66.	756-0625	Roller, Cable
67.	784-0404	Retainer Bracket
68.	784-0406A-0637	Bracket, Frame Support
69.	784-0407-0637	Bracket, Axle Support
70.	790-00257-0691	Cover, Upper Frame
71.	790-00259-0691	Cover, Lower Frame
72.	790-00349-0691	Trans Frame
73.	684-04169	Idler Pulley Assembly
74.	710-0157	Screw, Hex 5/16-24 x .75
75.	710-0191	Screw, Hex 3/8-24 x 1.25
76.	710-0607	Screw, Hx Wash Hd Tapp
77.	710-0624	Screw, Hex Cap, 5/16-24 x 1.50
78.	710-0654A	Screw, 3/8-16 x 1.00
79.	710-0809	Screw, 1/4-20 x 1.25

Continued on following page

PARTS LIST

Craftsman Snow Thrower Model 247.883980

Continued from previous page

Ref. No.	Part No.	Description
80.	738-04439	Screw, Hex Cap, 5/16-24 x .875
81.	710-0347	Screw, Hex Cap, 3/8-16 x 1.75
82.	714-0118	Key, Square, 1/4 x 1.5
83.	926-04012	Nut, Push
84.	931-2531	Cover, Belt
85.	732-04308A	Torsion Spring, .850 dia. x .333 lg.
86.	936-0119	Washer, Lock, 5/16
87.	736-0247	Washer, Flat, .406 x 1.25
88.	736-3092	Washer, Flat, .265 x 1.0 x .030
89.	952Z490-SUA	Engine Complete
90.	748-04112A	Shoulder Spacer, .3175 x .500 x .094
91.	750-04571	Shoulder Spacer, .260 x .785 x .538
92.	750-04821	Shoulder Spacer, .340 x 1.00
93.	750-05316	Spacer, 1.02 x 1.63 x .1425
94.	954-04194A	V-Belt, 4L x 44.60
95.	954-04202	V Belt, 3/8 x 36.68
96.	756-04224	Pulley, Flat Idler, 2.75 OD
97.	756-0241B	Double Pulley, 3.25 x 2.75
98.	784-0385D	Bracket, Auger Idler
99.	790-00167A-0637	Belt Keeper Bracket
100.	790-00208C	Idler Drive Wheel Bracket
101.	790-00254A-0637	Belt Cover Bracket
102.	634-0225A-0911	Wheel Ass'y. - LH
	634-0226A-0911	Wheel Ass'y. - RH
	734-2031	Tire
	734-1124A-0662	Rim Assembly
	934-0255	Valve
103.	711-04606A	Axle, Wheel, 45"
104.	756-04244A	Auger Pulley, 10.0 x .5

PARTS LIST

Craftsman Snow Thrower Model 247.883980

777D18046



777I22341



777S32636



777D16353



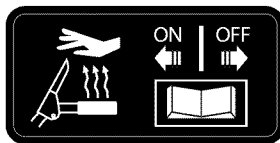
777S32280



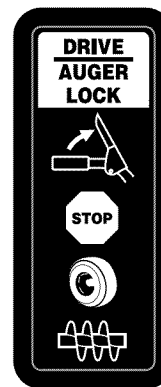
777D16340



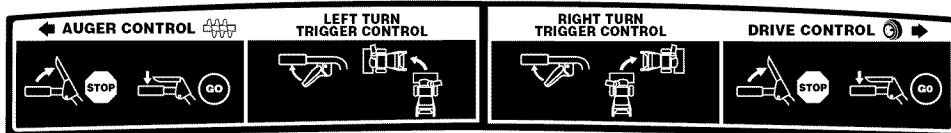
777I23013



777I22363



777I22340

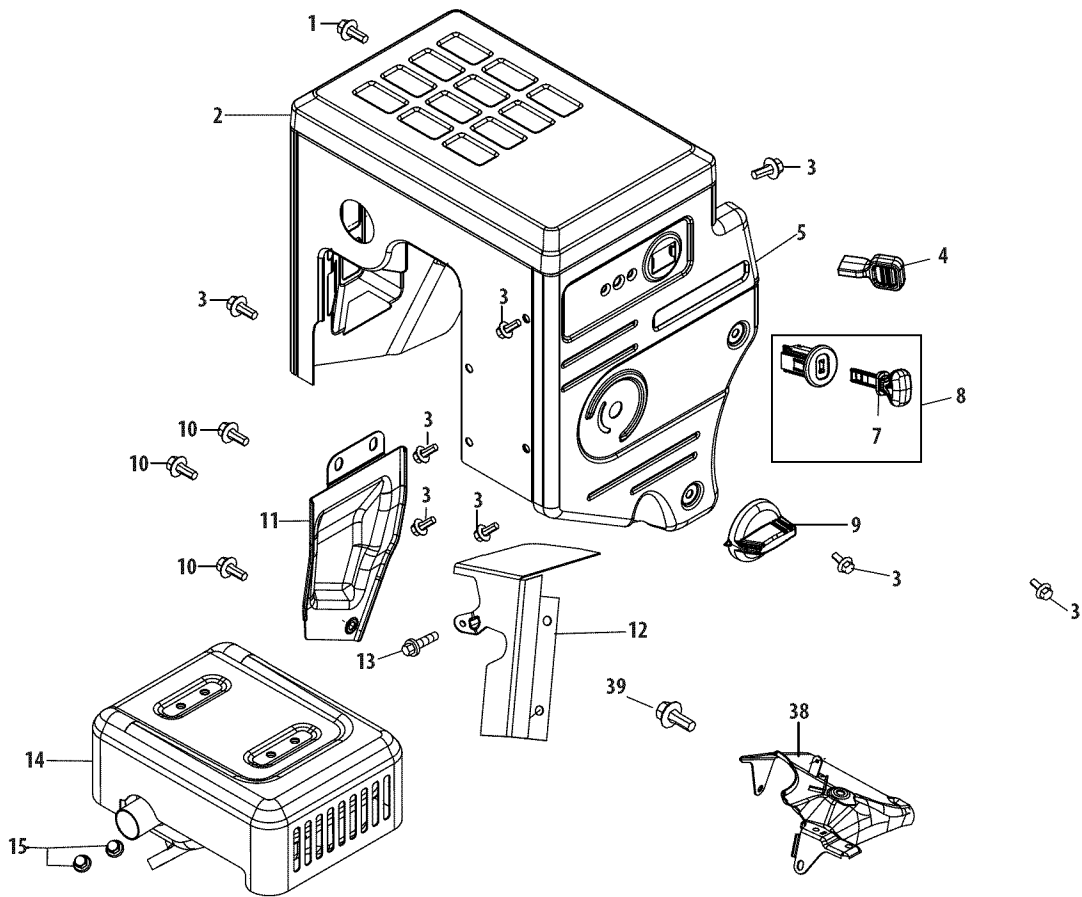


777D18038



PARTS LIST

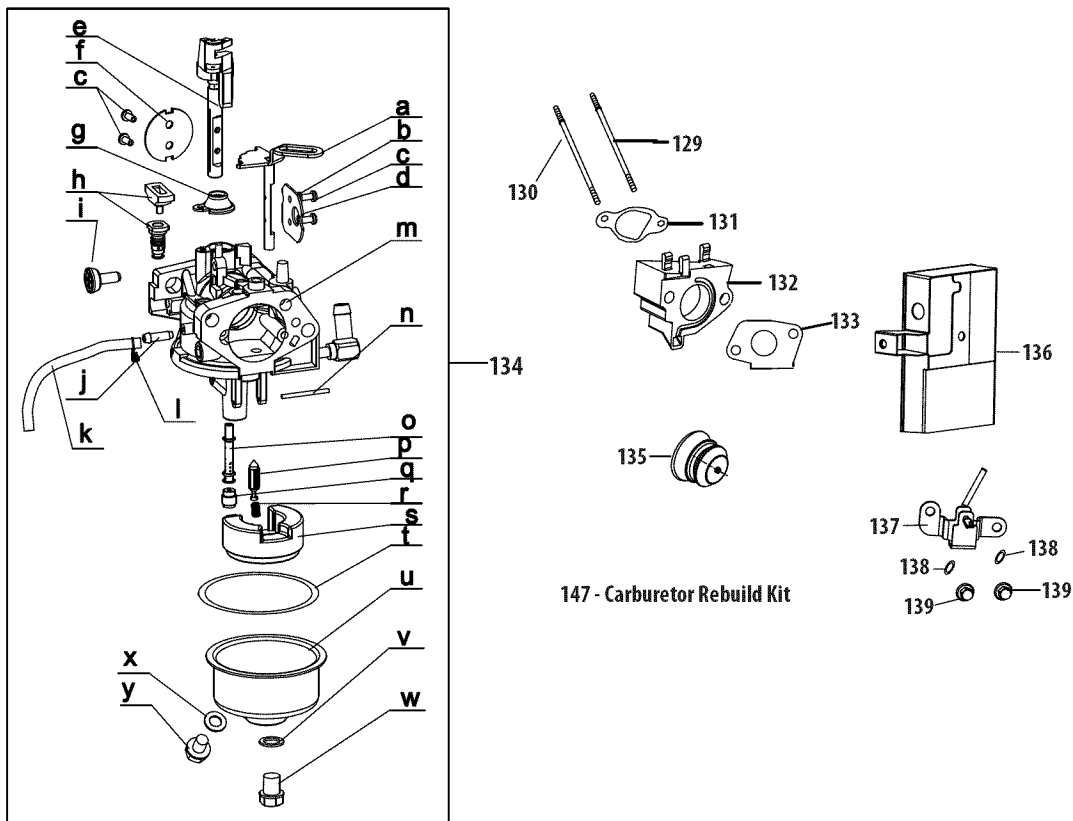
Craftsman Engine Model 490-SUB For Snow Model 247.883980



Ref.	Part No.	Description
1	710-04915	Bolt M6x12
2	951-11339	Muffler Shield
3	710-04915	Bolt M6x12
4	951-10757	Throttle Control Knob
5	951-11595	Control Panel
7	731-05632	Key
8	951-10637	Key Switch Assembly
9	951-11302	Choke Knob
10	710-04914	Bolt M6x10
11	951-11181	Exhaust Pipe Shield
12	951-11321	Carburetor Heat Shield
13	710-04968	Bolt M6x16
14	951-11338	Muffler Assembly
15	712-05015	Nut, M8
38	951-11311	Throttle Control Assembly
39	710-04915	Bolt M6x12

PARTS LIST

Craftsman Engine Model 490-SUB For Snow Model 247.883980

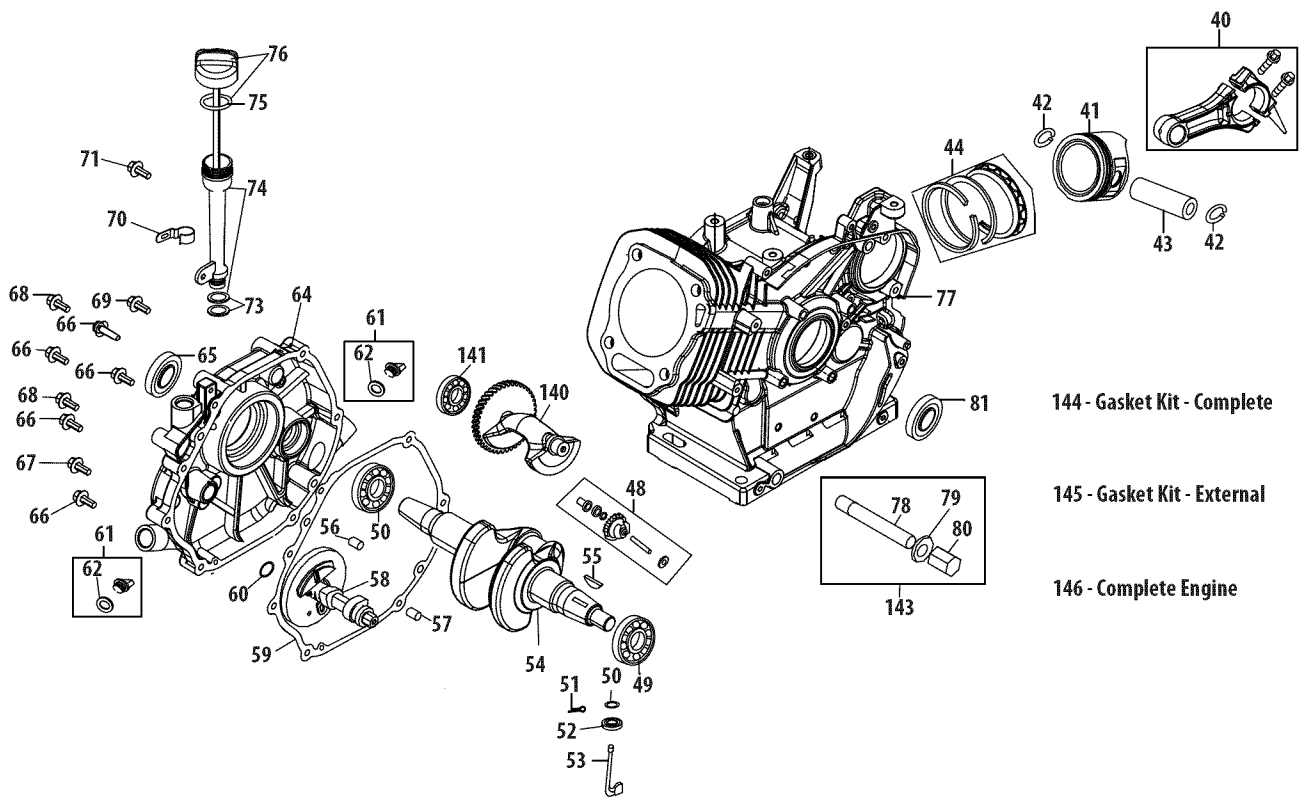


Ref.	Part No.	Description
129	710-05392	Stud M6-8x100
130	710-05056	Stud M6-8x118
131	951-11315	Carburetor Intake Gasket
132	951-11353	Carburetor Insulator
133	951-11354	Carburetor Gasket
134	751-14035	Carburetor Assembly
135	951-10639A	Primer Assembly
135	951-11824	Primer Bulb
136	951-11304	Heater Box
137	951-11192	Choke Assembly
138	736-04477	Lock Washer
139	712-05015	Nut M6
147	751-14231	Carburetor Rebuild Kit (Incl. h, l, n, o, p, q, r, s, t, v, x)
a	n/a	Choke Shaft
b	736-04638	Choke Control Lever Washer
c	710-05469	Fuel Shutoff Lever Screw
d	n/a	Choke Plate
e	n/a	Throttle Shaft
f	n/a	Throttle Plate
	n/a	Gasket

Ref.	Part No.	Description
g	n/a	Throttle Shaft Cover
h	n/a	Idle Jet Rivet
h	n/a	Idle Jet Assembly
i	n/a	Idle Speed Adjusting Screw
j	n/a	Primer Pipe
k	751-11991	Primer Hose
l	951-11906	Primer Hose Clamp
m	n/a	Carburetor Body
n	n/a	Float Pin
o	n/a	Emulsion Tube
p	n/a	Nickel Plated Brass Needle Valve
q	n/a	Main Jet
r	n/a	Needle Valve Spring
s	n/a	Float
t	951-11970	Fuel Bowl Gasket
u	n/a	Fuel Bowl
v	951-11348	Fuel Bowl Gasket
w	710-04945	Fuel Bowl Mounting Bolt
x	951-11349	Fuel Drain Plug Gasket
y	710-04938	Fuel Drain Plug

PARTS LIST

Craftsman Engine Model 490-SUB For Snow Model 247.883980



144 - Gasket Kit - Complete

145 - Gasket Kit - External

146 - Complete Engine

PARTS LIST

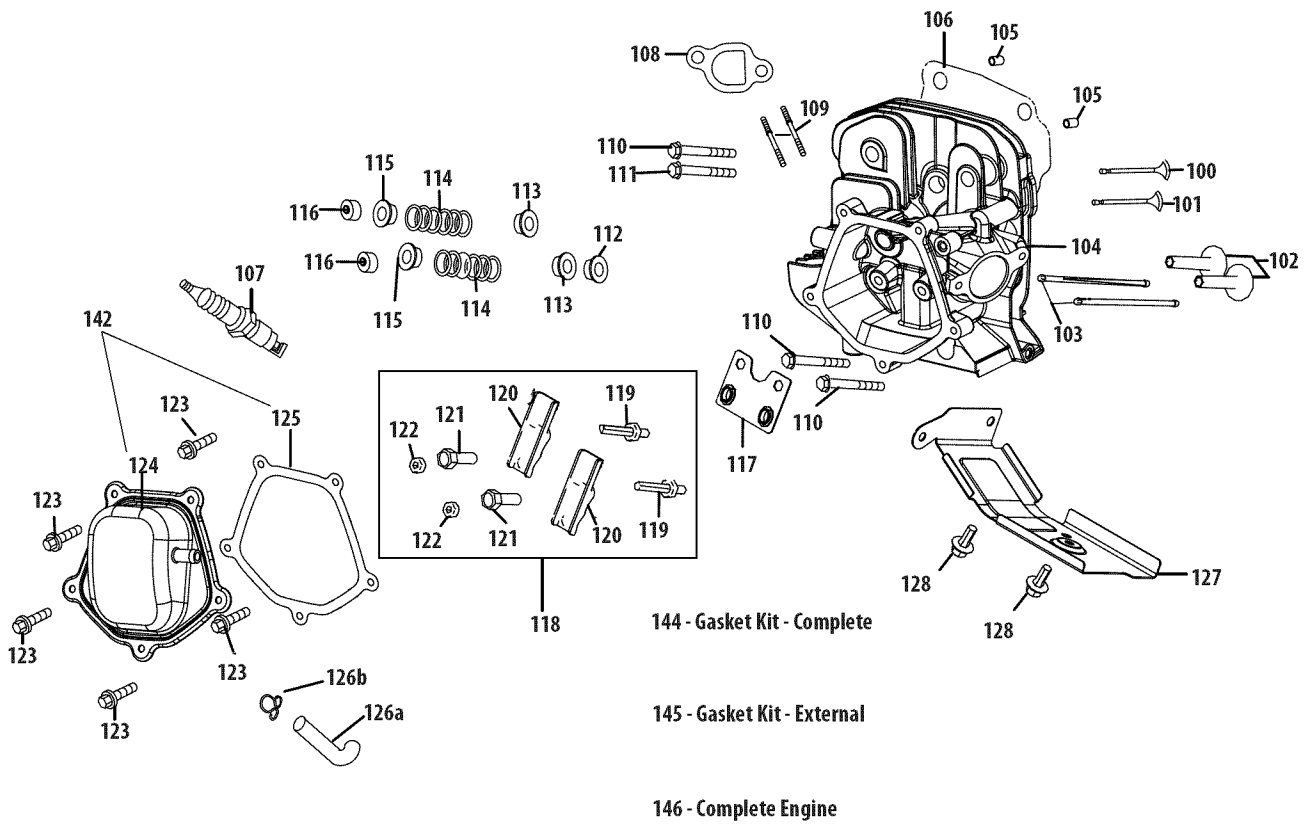
Craftsman Engine Model 490-SUB For Snow Model 247.883980

Ref.	Part No.	Description
40	951-11951	Connecting Rod Assembly
41	951-12092	Piston
42	951-11953	Piston Pin Snap Ring
43	951-11954	Piston Pin
44	951-12593	Piston Ring Set
48	951-11956	Governor Gear/Shaft Assembly
49	951-11373	Radial Ball Bearing
50	736-04453	Flat Washer
51	714-04077	Governor Shaft Clip
52	951-11958	Governor Seal
53	951-11365	Governor Arm Shaft
54	951-11358	Crankshaft Kit (Inc.49,54,55,65,81)
55	951-10307	Woodruff Key
56	715-04102	Dowel Pin 9 X 12
57	715-04092	Dowel Pin 7 X 14
58	951-11959	Camshaft Assembly
59	951-11376	Crankcase Cover Gasket
60	736-04545	Washer
61	951-11283	Oil Fill Plug Assembly
62	951-11577	O-Ring
64	951-14220	Crankcase Cover
	951-11340	Crankcase Cover Kit (Inc.49,59,60,64-68)
65	951-11375	Oil Seal
66	710-06061	Bolt M8x38
67	710-06062	Bolt M8x45

Ref.	Part No.	Description
68	710-06063	Bolt M8x35
69	710-04968	Bolt M6x16
70	951-11320	Oil Tube Support Bracket
71	710-05349	Bolt M6x8
73	951-11381	Oil Fill Tube O-Ring
74	951-12073	Oil Fill Tube Assembly
75	951-11904	Dipstick O-Ring
76	951-11971A	Dipstick Assembly
77	951-11359A	Crankcase Kit (Inc.49,52,77,81)
	951-11360A	Short Block Assembly (Inc.40-44,48-68,77-81, 102,105,106,108,110,111, 125,131,132,140,141)
78	951-11350	Oil Drain Pipe
79	736-04440	Drain Pipe Washer 10X16X1.5
80	710-04906	Oil Drain Plug Bolt
81	951-11499	Oil Seal
140	951-12095	Balance Gear Assembly
141	951-11969	Bearing
143	951-10641	Oil Drain Asm
144	951-11362	Gasket Kit - Complete (Inc.52,59,65,79,81,106, 108,125,131-133)
145	951-11363	Gasket Kit - External (Inc.79,108,125,131-133)
146	952Z490-SUB	Complete Engine

PARTS LIST

Craftsman Engine Model 490-SUB For Snow Model 247.883980



PARTS LIST

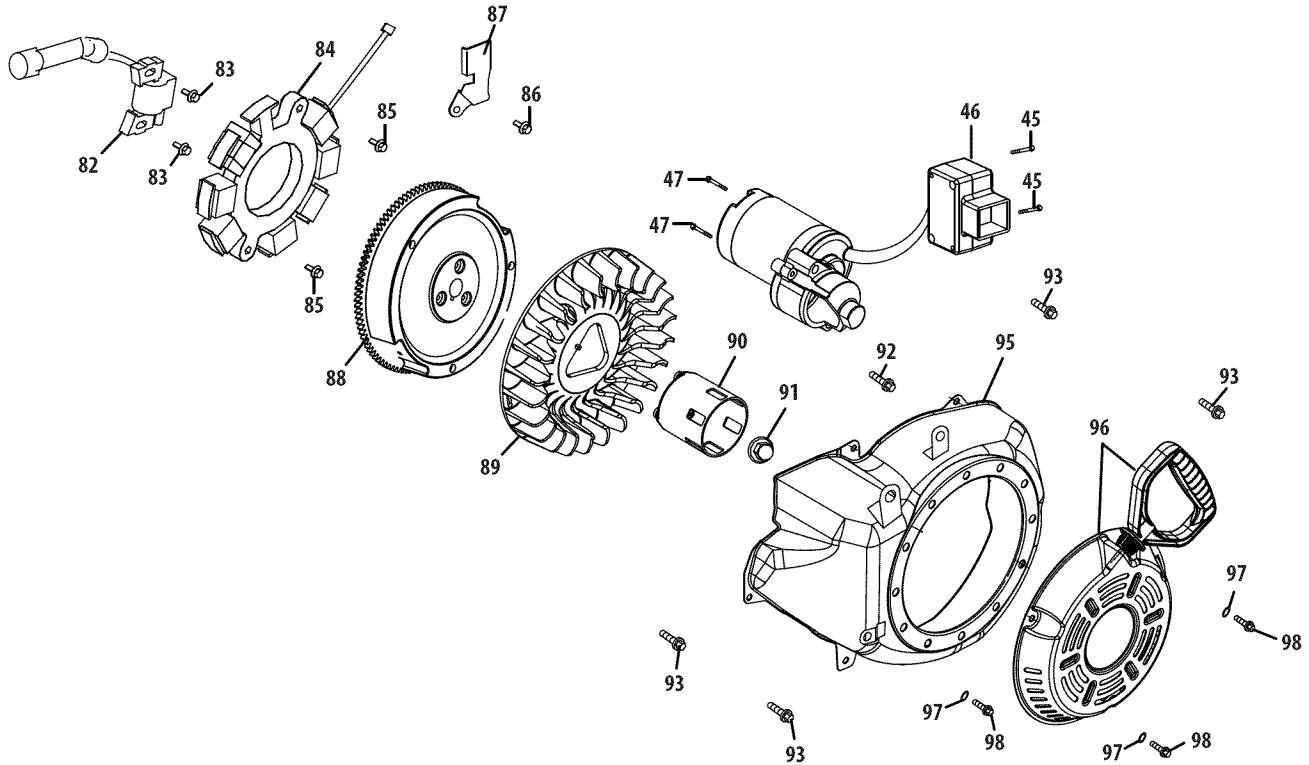
Craftsman Engine Model 490-SUB For Snow Model 247.883980

Ref.	Part No.	Description
100	951-11337	Valve Kit
101	951-11337	Valve Kit
102	951-11962	Tappet
103	951-11335	Push Rod Kit
104	951-12592	Cylinder Head Kit (Inc.106,110-112,125)
	951-11361A	Cylinder Head Assembly (Inc.100,101,104,106,108-112, 114-122,125,129-133)
105	715-04097	Dowel Pin
106	951-12094	Cylinder Head Gasket
107	951-10292	Spark Plug/F6Rtc
108	951-11212	Muffler Gasket
109	710-04964	Exhaust Stud M8x48.5
109	951-11207	Muffler Stud Assembly
110	710-06064	Bolt M10x1.25x87
111	710-06065	Bolt M10x1.25x65
112	951-11964	Intake Valve Seal
113	951-12077	Intake Valve Spring Retainer
114	951-12078	Valve Spring
115	951-12080	Exhaust Valve Spring Retainer

Ref.	Part No.	Description
116	951-12081	Exhaust Lash Cap
117	951-11965	Push Rod Guide
118	951-11981	Rocker Arm Assembly
119	710-04962	Bolt, Pivot
120	951-11966	Rocker Arm
121	751-11123	Adjusting Nut ,Valve
122	751-11124	Pivot Locking Nut
123	710-05054	Valve Cover Bolt
124	951-11220	Valve Cover
125	951-11967	Valve Cover Gasket
126a	731-07059	Breather Hose
126b	726-04101	Breather Hose Clamp
127	951-11317	Cylinder Baffle
128	710-04915	Bolt M6x12
142	951-11333	Valve Cover Kit
144	951-11362	Gasket Kit - Complete (Inc.52,59,65,79,81,106, 108,125,131-133)
145	951-11363	Gasket Kit - External (Inc.79,108,125,131-133)
146	952Z490-SUB	Complete Engine

PARTS LIST

Craftsman Engine Model 490-SUB For Snow Model 247.883980

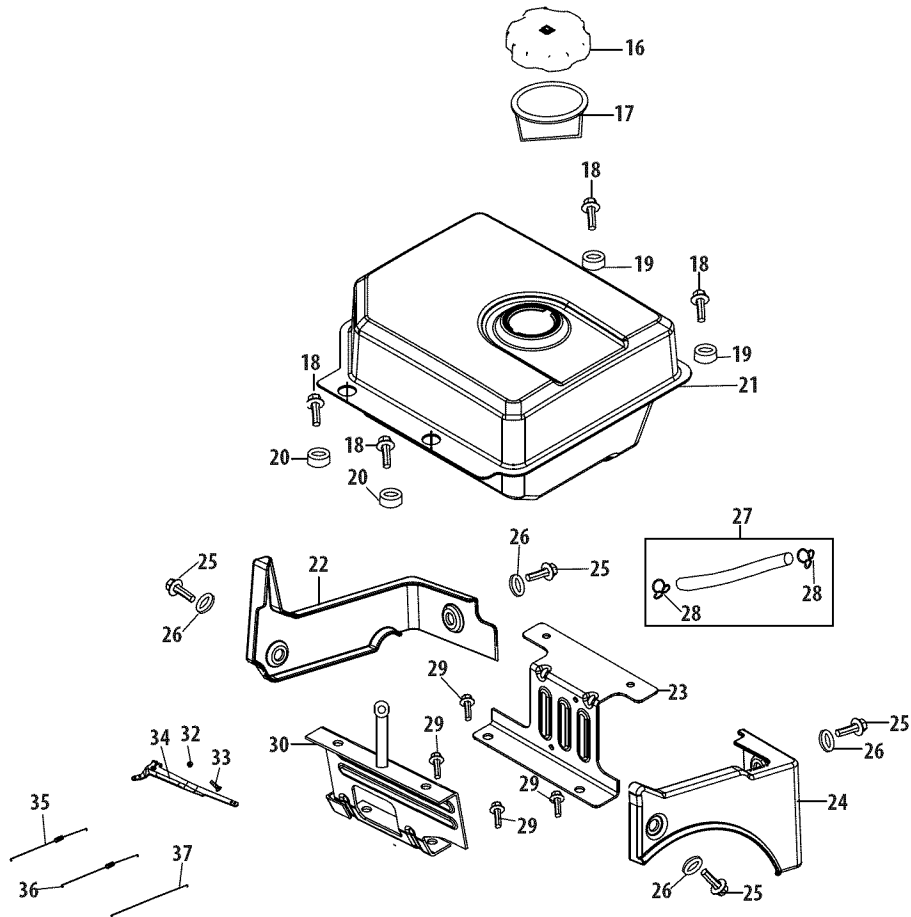


Ref.	Part No.	Description
45	710-04965	Screw M4 X 55
46	951-11196	Electric Starter
47	710-04967	Bolt M8x55
82	951-11305	Ignition Coil Assembly
83	710-05350	Ignition Coil Bolt
84	951-12553	Alternator Assembly
85	710-04969	Bolt M6x30
86	710-04966	Bolt M6x8
87	951-11186	Alternator Wire Clamp Bracket
88	951-12556	Flywheel

Ref.	Part No.	Description
89	951-11313	Cooling Fan
90	951-11314	Starter Cup
91	712-04220	Flywheel Nut, M14x1.5
92	710-04968	Bolt M6x16
93	710-04915	Bolt M6x12
95	951-11211	Blower Housing
96	951-14223	Recoil Starter Assembly
97	736-04455	Flat Washer
98	710-04974	Bolt M6x10

PARTS LIST

Craftsman Engine Model 490-SUB For Snow Model 247.883980



Ref.	Part No.	Description
16	951-12533	Fuel Cap Assembly
17	951-11933	Fuel Level Indicator
18	710-04970	Bolt M8x20
19	750-05312	Bushing, Slot
20	750-05313	Bushing, Rnd
21	951-11201	Fuel Tank Assembly
22	951-11319	Fuel Tank Shroud
23	951-11318	Fuel Tank Mounting Bracket
24	951-11351	Engine Shroud
25	710-04968	Bolt M6x16
26	736-04452	Bush

Ref.	Part No.	Description
27	951-11336	Fuel Line Kit
28	951-11700	Fuel Hose Clamp
29	710-04921	Bolt M8x14
30	951-11182	Fuel Tank Mounting Bracket
32	712-04212	Flange Nut M6
33	710-04908	Governor Arm Bolt M6X21
34	951-11307	Governor Arm
35	951-11306	Governor Spring
36	951-11203	Throttle Return Spring
37	951-11309	Governor Rod

**MTD CONSUMER GROUP INC (MTD), the California Air Resources Board (CARB)
and the United States Environment Protection Agency (U. S. EPA)**

**Emission Control System Warranty Statement
(Owner's Defect Warranty Rights and Obligations)**

EMISSION CONTROL SYSTEM COVERAGE IS APPLICABLE TO CERTIFIED ENGINES PURCHASED IN CALIFORNIA IN 2005 AND THEREAFTER, WHICH ARE USED IN CALIFORNIA, AND TO CERTIFIED MODEL YEAR 2005 AND LATER ENGINES WHICH ARE PURCHASED AND USED ELSEWHERE IN THE UNITED STATES.

California and elsewhere in the United States Emission Control Defects Warranty Coverage

The California Air Resources Board (CARB), U. S. EPA and MTD are pleased to explain the emissions control system warranty on your model year 2006 and later small off-road engine. In California, new small off-road engines must be designed, built and equipped to meet the States anti-smog standards. Elsewhere in the United States, new non-road, spark-ignition engines certified for model 2005 and later, must meet similar standards set forth by the U. S. EPA. MTD must warranty the emission control system on your engine for the period of time listed below, provided there has been no abuse, neglect or improper maintenance of your small off-road engine.

Your emission control system may include parts such as the carburetor, fuel-injection system, the ignition system, and catalytic converter, fuel tanks, fuel lines, fuel caps, valves, canisters, filters, vapor hoses, clamps, connectors, and other associated emission-related components.

Where a warrantable condition exists, MTD will repair your small off-road engine at no cost to you including diagnosis, parts and labor.

MANUFACTURER'S WARRANTY COVERAGE:

This emissions control system is warranted for two years. If any emission-related part on your engine is defective, the part will be repaired or replaced by MTD.

OWNER'S WARRANTY RESPONSIBILITIES:

As the small off-road engine owner, you are responsible for the performance of the required maintenance listed in your Owner's Manual. MTD recommends that you retain all your receipts covering maintenances on your small off-road engine, but MTD can not deny warranty solely for the lack of receipts or for your failure to ensure the performance to all scheduled maintenance.

As the small off-road engine owner, you should however be aware that MTD may deny your warranty coverage if your small off-road engine or part has failed due to abuse, neglect, improper maintenance or unapproved modifications.

You are responsible for presenting your small off-road engine to an Authorized MTD Service Dealer as soon as a problem exists. The warranted repairs should be completed in a reasonable amount of time, not to exceed 30 days.

If you have any questions regarding your warranty rights and responsibilities, you should contact a MTD Service Representative at 1-800-800-7310 and address is MTD CONSUMER GROUP, P.O. Box 361131, Cleveland OH, 44136-0019.

DEFECTS WARRANTY REQUIREMENTS FOR 1995 AND LATER SMALL OFF-ROAD ENGINES:

This section applies to 1995 and later small off-road engines. The warranty period begins on the date the engine or equipment is delivered to an ultimate purchaser.

(a) General Emissions Warranty Coverage

MTD must warrant to the ultimate purchaser and each subsequent purchaser that the engine is:

- (1) Designed, built, and equipped so as to conform with all applicable regulations adopted by the Air Resources Board pursuant to its authority in Chapters 1 and 2, Part 5, Division 26 of the Health and Safety Code; and
- (2) Free from defects in materials and workmanship that cause the failure of a warranted part to be identical in all material respects to the part as described in the engine manufacturer's application for certification for a period of two years.

(b) The warranty on emissions-related parts will be interpreted as follows:

- (1) Any warranted part that is not scheduled for replacement as required maintenance in the written instructions required by Subsection (c) must be warranted for the warranty period defined in Subsection (a)(2). If any such part fails during the period of warranty coverage, it must be repaired or replaced by MTD according to Subsection (4) below. Any such part repaired or replaced under the warranty must be warranted for the remaining warranty period.
- (2) Any warranted part that is scheduled only for regular inspection in the written instructions required by Subsection (c) must be warranted for the warranty period defined in Subsection (a)(2). A statement in such written instructions to the effect of "repair or replace as necessary" will not reduce the period of warranty coverage. Any such part repaired or replaced under warranty must be warranted for the remaining warranty period.
- (3) Any warranted part that which is scheduled for replacement as required maintenance in the written instructions required by Subsection (c) must be warranted for the period of time prior to the first scheduled replacement point for that part. If the part fails prior to the first scheduled replacement, the part must be repaired or replaced by MTD according to Subsection (4) below. Any such part repaired or replaced under warranty must be warranted for the remainder of the period prior to the first scheduled replacement point for the part.
- (4) Repair or replacement of any warranted part under the warranty provisions of this article must be performed at no charge to the owner at a warranty station.
- (5) Notwithstanding the provisions of Subsection (4) above, warranty services or repairs must be provided at all MTD distribution centers that are franchised to service the subject engines.

(6) The owner must not be charged for diagnostic labor that leads to the determination that a warranted part is in fact defective, provided that such diagnostic work is performed at a warranty station.

(7) The engine manufacturer is liable for damages to other engine components proximately caused by a failure under warranty of any warranted part.

(8) Throughout the engine's warranty period defined in Subsection (a)(2), MTD will maintain a supply of warranted parts sufficient to meet the expected demand for such parts.

(9) Any replacement part may be used in the performance of any warranty maintenance or repairs and must be provided without charge to the owner. Such use will not reduce the warranty obligations of MTD.

(10) Add-on or modified parts that are not exempted by the Air Resources Board may not be used. The use of any non-exempted add-on or modified parts shall be grounds for disallowing a warranty claim made in accordance with this article. The engine manufacturer shall not be liable under this article to warrant failures of warranted parts caused by the use of non-exempted add-on or modified part.

(c) MTD will include a copy of the following emission warranty parts list with each new engine, using those portions of the list applicable to the engine.

(1) Fuel Metering System

- Cold start enrichment system (soft choke)
- Carburetor and internal parts
- Fuel Pump
- Fuel Tank

(2) Air Induction System

- Air cleaner
- Intake manifold

(3) Ignition System

- Spark plug(s)
- Magneto Ignition System

(4) Exhaust System

- Catalytic converter
- SAI (Reed valve)

(5) Miscellaneous Items Used in Above System

- Vacuum, temperature, position, time sensitive valves and switches
- Connectors and assemblies

(6) Evaporative control

- Fuel Hose certified for ARB evaporative emission of 2006.
- Fuel Hose Clamps
- Tethered fuel cap
- Carbon canister
- Vapor lines

Look For Relevant Emissions Durability Period and Air Index Information On Your Engine Emissions Label

Engines that are certified to meet the California Air Resources Board (CARB) Tier 2 Emission Standards must display information regarding the Emissions Durability Period and the Air Index. Sears Brands Management Corporation makes this information available to the consumer on our emission labels.

The Emissions Durability Period describes the number of hours of actual running time for which the engine is certified to be emissions compliant, assuming proper maintenance in accordance with the Operating & Maintenance Instructions. The following categories are used:

Moderate: Engine is certified to be emission compliant for 125 hours of actual engine running time.

Intermediate: Engine is certified to be emission compliant for 250 hours of actual engine running time.

Extended: Engine is certified to be emission compliant for 500 hours of actual engine running time.

For example, a typical walk-behind lawn mower is used 20 to 25 hours per year. Therefore, the **Emissions Durability Period** of an engine with an **intermediate** rating would equate to 10 to 12 years.

The **Air Index** is a calculated number describing the relative level of emissions for a specific engine family. The lower the **Air Index**, the cleaner the engine. This information is displayed in graphical form on the emissions label.

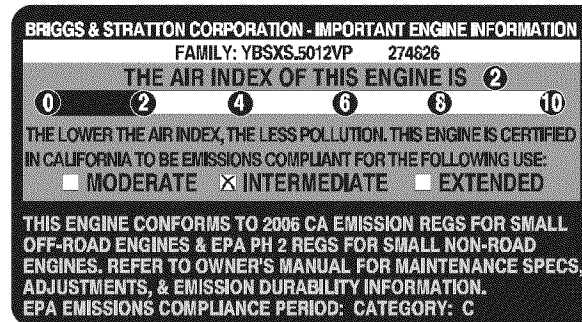
After July 1, 2000, Look For Emissions Compliance Period On Engine Emissions Compliance Label

After July 1, 2000 certain Sears Brands Management Corporation engines will be certified to meet the United States Environmental Protection Agency (USEPA) Phase 2 emission standards. For Phase 2 certified engines, the Emissions Compliance Period referred to on the Emissions Compliance label indicates the number of operating hours for which the engine has been shown to meet Federal emission requirements.

For engines less than 225 cc displacement, Category C = 125 hours, B = 250 hours and A = 500 hours.

For engines of 225 cc or more, Category C = 250 hours, B = 500 hours and A = 1000 hours.

This is a generic representation of the emission label typically found on a certified engine.



REPAIR PROTECTION AGREEMENT

Congratulations on making a smart purchase. Your new Craftsman® product is designed and manufactured for years of dependable operation. But like all products, it may require repair from time to time. That's when having a Repair Protection Agreement can save you money and aggravation.

Here's what the Repair Protection Agreement* includes:

- ☑ **Expert service** by our 10,000 professional repair specialists
- ☑ **Unlimited service and no charge** for parts and labor on all covered repairs
- ☑ **Product replacement** up to \$1500 if your covered product can't be fixed
- ☑ **Discount of 25%** from regular price of service and related installed parts not covered by the agreement; also, 25% off regular price of preventive maintenance check
- ☑ **Fast help by phone** – we call it Rapid Resolution – phone support from a Sears representative. Think of us as a “talking owner's manual.”

Once you purchase the Repair Protection Agreement, a simple phone call is all that it takes for you to schedule service. You can call anytime day or night, or schedule a service appointment online.

The Repair Protection Agreement is a risk-free purchase. If you cancel for any reason during the product warranty period, we will provide a full refund. Or, a prorated refund anytime after the product warranty period expires. Purchase your Repair Protection Agreement today!

Some limitations and exclusions apply. For prices and additional information in the U.S.A. call 1-800-827-6655.

***Coverage in Canada varies on some items. For full details call Sears Canada at 1-800-361-6665.**

Sears Installation Service

For Sears professional installation of home appliances, garage door openers, water heaters, and other major home items, in the U.S.A. or Canada call **1-800-4-MY-HOME®**.

ÍNDICE

Declaración de garantía	Página 49
Prácticas operación seguras.....	Página 50
Montaje.....	Página 54
Operación.....	Página 59
Servicio y Mantenimiento	Página 64
Almacenamiento fuera de temporada.....	Página 72

Solución de problemas.....	Página 73
Etiquetas de seguridad.....	Página 7
Lista de piezas.....	Página 29
Acuerdo de protección para reparaciones..	Página 79
Número de servicio	atrás página

DECLARACIÓN DE GARANTÍA

CRAFTSMAN PROFESIONAL DE DOS AÑOS DE GARANTÍA

POR DOS AÑOS a partir de la fecha de compra, este producto está garantizado contra cualquier defecto de material o mano de obra. Un producto defectuoso recibirá la reparación o la sustitución si la reparación no está disponible.

Esta garantía se aplica sólo para un año a partir de la fecha de compra si este producto se ha utilizado alguna vez, mientras que la prestación de servicios comerciales o si se alquila a otra persona.

Para obtener información detallada cobertura de la garantía para obtener la reparación o sustitución gratuita, visite el sitio web: www.craftsman.com.

Esta garantía cubre únicamente los defectos en materiales y mano de obra. La cobertura de garantía no incluye:

- Elementos reutilizables que pueden gastarse por el uso normal dentro del periodo de garantía, incluyendo pero no limitado a las barrenas, palas barrena, cortadores de la deriva, zapatos antideslizantes, placa de raspado, pasadores de seguridad, la bujía, el filtro de aire, cinturones, y el filtro de aceite.
- Los servicios de mantenimiento, cambios de aceite, o puestas a punto.
- Neumáticos de reemplazo o reparación de pinchazos causados por objetos externos, tales como clavos, espinas, tocones o vidrio.
- Neumático o rueda de repuesto o reparación resultantes del desgaste normal, accidente o mal funcionamiento o mantenimiento.
- Reparaciones necesarias debido al abuso del operador, incluyendo pero no limitado a daños causados por exceso de velocidad del motor, o de impacto de objetos que doblen la estructura, el eje del taladro, etc
- Las reparaciones necesarias debido a la negligencia del operador, incluyendo pero no limitado a, daños eléctricos y mecánicos causados por un almacenamiento inadecuado, no utilización de la calidad o cantidad de aceite de motor o falta de mantenimiento del equipo de acuerdo a las instrucciones contenidas en el manual del operador.
- Del motor (sistema de combustible) de limpieza o reparaciones provocadas por un combustible que se contaminado u oxidado (viejo). En general, el combustible debe ser utilizado dentro de los 30 días siguientes a la fecha de compra.
- Deterioro y desgaste normal de los acabados exteriores, o reemplazo de la etiqueta del producto.

Esta garantía le otorga derechos legales específicos, y usted también puede tener otros derechos que varían de estado a estado.

Sears Brands Management Corporation, Hoffman Estates, IL 60179

ESPECIFICACIONES DEL PRODUCTO

Tipo de aceite del motor:	5W-30
Capacidad de aceite del motor:	37 onzas
Capacidad de combustible:	5 cuartos
Bujías:	F6RTC (951-10292)
Separación de las bujías:	.020" to .030"

NÚMERO DE MODELO

Número de modelo

Número de serie

Fecha de compra

Registre arriba el número del modelo, el número de serie y la fecha de compra

INSTRUCCIONES DE SEGURIDAD

⚠ ADVERTENCIA

La presencia de este símbolo indica que se trata de instrucciones importantes de seguridad que se deben respetar para evitar poner en peligro su seguridad personal y/o material y la de otras personas. Lea y siga todas las instrucciones de este manual antes de poner en funcionamiento esta máquina. Si no respeta estas instrucciones podría provocar lesiones personales. Cuando vea este símbolo, ¡preste atención a la advertencia!

⚠ ADVERTENCIA

PROPOSICIÓN 65 DE CALIFORNIA

El escape del motor de este producto, algunos de sus componentes y algunos componentes del vehículo contienen o liberan sustancias químicas que el estado de California considera que pueden producir cáncer, defectos de nacimiento u otros problemas reproductivos.

⚠ PELIGRO

Esta máquina fue construida para ser operada de acuerdo con las reglas de seguridad contenidas en este manual. Al igual que con cualquier tipo de equipo motorizado, un descuido o error por parte del operador puede producir lesiones graves. Esta máquina es capaz de amputar manos y pies y de arrojar objetos con gran fuerza. De no respetar las instrucciones de seguridad siguientes se pueden producir lesiones graves o la muerte.

⚠ ADVERTENCIA

Su responsabilidad—Restrinja el uso de esta máquina motorizada a las personas que lean, comprendan y respeten las advertencias e instrucciones que aparecen en este manual y en la máquina.

¡GUARDE ESTAS INSTRUCCIONES!

CAPACITACIÓN

- Lea, entienda y cumpla todas las instrucciones incluidas en la máquina y en los manuales antes de montarla y utilizarla. Guarde este manual en un lugar seguro para consultas futuras y periódicas, así como para solicitar repuestos.
- Lea el Manual del Operador y siga todas las advertencias e instrucciones de seguridad. El fracaso de hacer así puede causar la herida seria al operador y/o personas presentes.
- Familiarícese con todos los controles y con el uso adecuado de los mismos. Sepa cómo detener la máquina y desactivar los controles rápidamente.
- No permita nunca que los niños menores de 14 años utilicen esta máquina. Los niños de 14 años en adelante deben leer y entender las instrucciones de operación y normas de seguridad contenidas en este manual, y en la máquina y deben ser entrenados y supervisados por un adulto.
- Nunca permita que los adultos operen esta máquina sin recibir antes la instrucción apropiada.
- Los objetos arrojados por la máquina pueden producir lesiones graves. Planifique el patrón en el que va a ir arrojando nieve para evitar que la descarga de material se realice hacia los caminos, los observadores, etc.
- Mantenga a los observadores, ayudantes, mascotas y niños por lo menos a 75 pies de la máquina mientras la misma está en funcionamiento. Detenga la máquina si alguien se acerca.
- Sea precavido para evitar patinarse o caerse especialmente cuando opera la máquina en reversa.

PREPARATIVOS

Inspeccione minuciosamente el área donde utilizará el equipo. Saque todos los felpudos, periódicos, trineos, tablas, cables y otros objetos extraños con los que podría tropezar o que podrían ser arrojados por la barrena / impulsor.

- Para protegerse los ojos utilice siempre anteojos o antiparras de seguridad mientras opera la máquina o mientras la ajusta o repara. Los objetos arrojados que rebotan pueden producir lesiones oculares graves.
- No opere la máquina sin la vestimenta adecuada para estar al aire libre en invierno. No utilice alhajas, bufandas largas u otras prendas sueltas que podrían enredarse en las partes móviles. Utilice un calzado especial para superficies resbaladizas.
- Use un prolongador y un tomacorriente de tres cables con conexión a tierra para todas las máquinas con motores de encendido eléctrico.
- Ajuste la altura de la caja del tomacorriente para limpiar la grava o las superficies con piedras trituradas.
- Desengrane todas las palancas de control antes de arrancar el motor.
- Nunca intente realizar ajustes mientras el motor está en marcha excepto en los casos específicamente recomendados en el manual del operador.
- Deje que el motor y la máquina se adapten a la temperatura exterior antes de comenzar a sacar la nieve.

INSTRUCCIONES DE SEGURIDAD

Manejo seguro de la gasolina

Para evitar lesiones personales o daños materiales tenga mucho cuidado cuando trabaje con gasolina. La gasolina es sumamente inflamable y sus vapores pueden causar explosiones. Si se derrama gasolina encima o sobre la ropa se puede lesionar gravemente ya que se puede incendiar. Lávese la piel y cámbiese de ropa de inmediato.

- Utilice sólo los recipientes para gasolina autorizados.
- Apague todos los cigarrillos, cigarros, pipas y otras fuentes de combustión.
- Nunca cargue combustible en la máquina en un espacio cerrado.
- Nunca saque la tapa del combustible ni agregue combustible mientras el motor está caliente o en marcha.
- Deje que el motor se enfríe por lo menos dos minutos antes de volver a cargar combustible.
- Nunca llene en exceso el depósito de combustible. Llene el tanque a no más de ½ pulgada por debajo de la base del cuello de llenado dejando espacio para la dilatación del combustible.
- Vuelva a colocar la tapa de la gasolina y ajústela bien.
- Limpie el combustible que se haya derramado sobre el motor y el equipo. Traslade la máquina a otra zona. Espere 5 minutos antes de encender el motor.
- Nunca almacene la máquina o el recipiente de combustible en un espacio cerrado donde haya fuego, chispas o luz piloto (por ejemplo, hornos, calentadores de agua, calefactores, secadores de ropa, etc.).
- Deje que la máquina se enfríe por lo menos 5 minutos antes de guardarla.
- Nunca llene los recipientes en el interior de un vehículo o camión o caja de remolque con recubrimientos plásticos. Coloque siempre los recipientes en el piso y lejos del vehículo antes de llenarlos.
- Si es posible, retire el equipo a gasolina del camión o remolque y llénelo en el suelo. Si esto no es posible, llene el equipo en un remolque con contenedor portátil, en vez de desde una boquilla dispensadora de gasolina.
- Mantenga la boquilla dispensadora en contacto con el borde del depósito de combustible o con la abertura del recipiente en todo momento, hasta terminar la carga. No utilice un dispositivo de apertura/cierre de boquilla.

FUNCIONAMIENTO

- No ponga las manos o los pies cerca de las piezas rotatorias, en la caja de la barrena / impulsor o en el montaje del canal de descarga. Hacer contacto con piezas giratorias puede resultar en la amputación de manos o pies.
- La palanca de control de la barrena / impulsor es un dispositivo de seguridad. Nunca evite su funcionamiento. De hacerlo la operación de la máquina es riesgosa y puede ocasionar lesiones.
- Las palancas de control deben funcionar bien en ambas direcciones y regresar automáticamente a la posición de desengrane cuando se las suelta.

- Nunca opere la máquina si falta un montaje del canal o si el mismo está dañado. Mantenga todos los dispositivos de seguridad en su lugar y en funcionamiento.
- Nunca encienda el motor en espacios cerrados o en una zona con poca ventilación. El escape del motor contiene monóxido de carbono, un gas inodoro y letal.
- No utilice la máquina bajo la influencia del alcohol o las drogas.
- El silenciador y el motor se calientan y pueden causar quemaduras. No los toque. Mantenga a los niños alejados.
- Sea sumamente precavido cuando opere la máquina sobre una superficie con grava o cuando la cruce. Manténgase alerta por si se presentan peligros ocultos o tránsito.
- Tenga cuidado cuando cambie de dirección o cuando opere la máquina en pendientes. No use la máquina en pendientes pronunciadas.
- Planifique el patrón en el que va a ir arrojando nieve para evitar que la descarga de material se produzca hacia las ventanas, las paredes, los automóviles, etc. y evitar así posibles daños materiales o lesiones producidas por los rebotes.
- Nunca dirija la descarga hacia los niños, los observadores o las mascotas ni deje que nadie se pare delante de la máquina.
- No sobrecargue la capacidad de la máquina tratando de sacar la nieve muy rápidamente.
- Nunca opere esta máquina sin buena visibilidad o iluminación. Siempre debe estar seguro de que está bien afirmado y sujetando firmemente las manijas. Camine, nunca corra.
- Corte la corriente a la barrena / impulsor cuando transporte la máquina o cuando la misma no está en uso.
- Nunca opere la máquina a alta velocidad de desplazamiento sobre superficies resbaladizas. Mire hacia abajo y hacia atrás y tenga cuidado cuando vaya marcha atrás.
- Si la máquina comenzara a vibrar de manera anormal, detenga el motor, desconecte el cable de la bujía y póngala de manera que haga masa contra el motor. Inspeccione la máquina minuciosamente para ver si está dañada. Repare todos los daños antes de encender y operar la máquina.
- Desengrane todas las palancas de control y detenga el motor antes de dejar la posición de operación (detrás de las manijas). Espere a que la barrena / impulsor se detenga por completo antes de destapar el montaje del canal o realizar ajustes e inspecciones.
- Nunca ponga las manos en las aberturas de descarga o de recolección. Utilice siempre la herramienta de limpieza que se adjunta para destapar la abertura de descarga. No destape el montaje del canal mientras el motor está en funcionamiento. Antes de destaparlo, apague el motor y permanezca detrás de las manijas hasta que todas las partes móviles se hayan detenido.
- Use sólo uniones y accesorios aprobados por el fabricante (por ejemplo, pesas para las ruedas, cadenas para los neumáticos, cabinas, etc.). Para obtener más información acerca de estos temas, llame al 1-800-469-4663.

INSTRUCCIONES DE SEGURIDAD

- Para encender el motor, jale de la cuerda lentamente hasta que sienta resistencia, luego jale rápidamente. El repliegue rápido de la cuerda de arranque (tensión de retroceso) le jalará la mano y el brazo hacia el motor más rápido de lo que usted puede soltar. El resultado pueden ser huesos rotos, fracturas, hematomas o esguinces.
- Si se presentan situaciones que no están previstas en este manual, sea cuidadoso y use el sentido común.
- Para pedir repuestos o servicio horario para este producto, llame a 1-800-469-4663.

MANTENIMIENTO Y ALMACENAMIENTO

- Nunca altere los dispositivos de seguridad. Controle periódicamente que funcionen correctamente. Remítase a las secciones de mantenimiento y ajuste de este manual.
- Antes de realizar la limpieza, reparar o revisar la máquina, desengrane todas las palancas de control y detenga el motor. Espere a que la barrena / impulsor se detenga por completo. Desconecte el cable de la bujía y póngalo haciendo masa contra el motor para evitar que se encienda accidentalmente.
- Controle frecuentemente que todos los pernos y tornillos estén bien ajustados para comprobar que la máquina se encuentra en condiciones seguras de funcionamiento. Además, haga una inspección visual de la máquina para verificar si está dañada.
- No cambie la configuración del regulador del motor ni acelere demasiado el mismo. El regulador del motor controla la velocidad máxima segura de funcionamiento del motor.
- Las placas de raspado y las zapatas antideslizantes que se usan con la máquina quitanieve se desgastan y se dañan. Para proteger su seguridad, verifique frecuentemente todos los componentes y reemplácelos sólo con partes de los fabricantes de equipos originales (OEM). ¡El uso de piezas que no cumplen con las especificaciones del equipo original puede resultar en rendimiento inadecuado además de poner en riesgo la seguridad!
- Revise las palancas de control periódicamente para verificar que engranen y desengranen adecuadamente y ajústelos si es necesario. Consulte la sección de ajustes de este manual del operador para obtener instrucciones.
- Mantenga o reemplace las etiquetas de seguridad e instrucciones según sea necesario.
- Respete las normas referentes a la disposición correcta y las reglamentaciones sobre gasolina, aceite, etc. para proteger el medio ambiente.
- Antes de almacenar la máquina enciéndala unos minutos para sacar la nieve que haya quedado en la misma y para evitar así que se congele la barrena / impulsor.

- Según la Comisión de Seguridad de Productos para el Consumidor de los Estados Unidos (CPSC) y la Agencia de Protección Ambiental de los Estados Unidos (EPA), este producto tiene una vida útil media de siete (7) años, ó 60 horas de funcionamiento. Al finalizar la vida útil media, adquiera una máquina nueva o haga inspeccionar anualmente ésta por un distribuidor de servicio autorizado para cerciorarse de que todos los sistemas mecánicos y de seguridad funcionan correctamente y no tienen excesivo desgaste. Si no lo hace, pueden producirse accidentes, lesiones o muerte
- Nunca almacene la máquina o el recipiente de combustible en un espacio cerrado donde haya fuego, chispas o luz piloto como por ejemplo, calentadores de agua, hornos, secadores de ropa, etc.
- Consulte siempre el manual del operador para obtener instrucciones adecuadas para el almacenamiento fuera de temporada. Verifique frecuentemente la línea de combustible, el tanque, el tapón, y los accesorios buscando rajaduras o pérdidas. Reemplace de ser necesario.
- No dé arranque al motor si no está la bujía de encendido.

NO MODIFIQUE EL MOTOR

Para evitar lesiones graves o la muerte, no modifique el motor bajo ninguna circunstancia. Si cambia la configuración del regulador el motor puede descontrolarse y operar a velocidades inseguras. Nunca cambie la configuración de fábrica del regulador del motor.

AVISO REFERIDO A EMISIONES

Los motores que están certificados y cumplen con las regulaciones de emisiones federales EPA y de California para SORE (Equipos pequeños todo terreno) están certificados para operar con gasolina común sin plomo y pueden incluir los siguientes sistemas de control de emisiones: Modificación de motor (EM) y catalizador de tres vías (TWC) si están equipados de esa manera.

GUARDACHISPAS

⚠ ADVERTENCIA

Esta máquina está equipada con un motor de combustión interna y no debe ser utilizada en o cerca de un terreno agreste cubierto por bosque, malezas o hierba excepto si el sistema de escape del motor está equipado con un amortiguador de chispas que cumpla con las leyes locales o estatales correspondientes, en caso de haberlas.

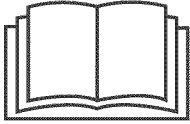







Si se utiliza un amortiguador de chispas el operador lo debe mantener en condiciones de uso adecuadas. En el Estado de California las medidas anteriormente mencionadas son exigidas por ley (Artículo 4442 del Código de Recursos Públicos de California). Es posible que existan leyes similares en otros estados. Las leyes federales se aplican en territorios federales.

Puede conseguir el amortiguador de chispas para el silenciador a través de su distribuidor autorizado de motores o poniéndose en contacto con el departamento de servicios.

INSTRUCCIONES DE SEGURIDAD

SÍMBOLOS DE SEGURIDAD

Esta página describe los símbolos y figuras de seguridad internacionales que pueden aparecer en este producto. Lea el manual del operador para obtener la información terminada sobre seguridad, reunirse, operación y mantenimiento y reparación.

Símbolo	Descripción
	LEA EL MANUAL DEL OPERADOR (S) Lea, entienda, y siga todas las instrucciones en el manual (es) antes de intentar reunirse y funcionar.
	LA ADVERTENCIA — PLATOS ROTATORIOS Guarde manos de entrada y aperturas de la descarga mientras la máquina corre. Allí ellos hacen para girar platos dentro.
	LA ADVERTENCIA — LÁMINAS ROTATIVAS Guarde manos de entrada y aperturas de descarga mientras la máquina corre. Allí hacen girar láminas dentro.
	LA ADVERTENCIA — TALADRO ROTATIVO No ponga manos o pies cerca del giro de partes, en el alojamiento de taladro/aspa o asamblea de tolva. Contacto con las partes rotativas puede amputar manos y pies.
	OBJETOS LANZADOS POR ADVERTENCIA Esta máquina puede recoger y lanzar objetos que pueden causar la herida personal seria.
	GASOLINA DE ADVERTENCIA ES INFLAMABLE Permita que el motor se enfríe al menos dos minutos antes del reabastecimiento de combustible.
	ADVERTENCIA — MONÓXIDO DE CARBONO Nunca dirijas un motor dentro o en un área mal ventilada. Los gases de combustión de motor contienen el monóxido de carbono, un gas inodoro y mortal.
	ADVERTENCIA — ELECTROCHOQUE No use el juez de salida eléctrico del motor en la lluvia.

Montaje

NOTA: Las referencias a la derecha oa la izquierda de la nieve lanzador se determinará a partir de la posición de espera de la parte frontal de la máquina.

EXTRACCIÓN DE CAJAS

1. Quitar los tornillos de la parte inferior de la caja de asegurar los lados y extremos de la caja de traslado.
2. Levante la parte superior de la caja y de los enunciados de la forma de la zona de reunión.
3. Retire y deseche la bolsa de plástico que cubre la unidad.
4. Retire cualquier piezas sueltas incluido con la unidad (por ejemplo, Manual de instrucciones, etc.)
5. Empuje hacia abajo en la parte inferior asa y tire de nuevo de unidad de caja.
6. Asegúrese de que la caja se ha vaciado completamente antes de que los descartes.

MONTAJE

IMPORTANTE: Con este manual se incluyen dos pasadores de cuchilla de barrena de reemplazo (o se guardan en el panel de la manija plástica). Consulte la sección Mantenimiento para obtener más información sobre el cambio del pasador de cuchilla.

NOTA: Las referencias que contiene este manual sobre los lados derecho o izquierdo de la máquina quitanieve se hacen observando la misma únicamente desde la posición de operación. Si existiera alguna excepción, la misma será especificada.

IMPORTANTE: esta unidad se envía con el motor lleno de aceite. Después del montaje, consulte el manual del motor del motor que se incluye en esta unidad para consultar los detalles de llenado de combustible y aceite.

NOTA: Las especificaciones están sujetas a cambio sin notificación u obligación. Las imágenes no necesariamente son fiel reflejo de su modelo y están sólo como referencia.

MANIJA

1. Retire todo el material de embalaje de la manija superior.
2. Retire la tuerca de mariposa inferior, arandela Belleville y perno del carro de cada lado de la manija superior, como se muestra en la Fig. 1.
3. Eleve el ensamblado de la manija superior hasta que se trabaje a presión con la manija inferior. Vea la Fig. 2.
4. Mire debajo del panel de la manija para verificar que todos los cables (de dirección, de la barrena y de transmisión) estén colocados correctamente y no estén apretados ni torcidos. Asegúrese de que los resortes del extremo inferior de la barrena y los cables de la transmisión estén enganchados firmemente en el respectivo soporte del accionador. Vea la Fig. 11.
5. Sujete la manija superior, los tubos de soporte y la manija inferior con las dos tuercas de mariposa y los pernos del carro que se retiraron antes. Apriete las dos tuercas de mariposa ya instaladas en los orificios superiores para sujetar firmemente la manija superior y los tubos de soporte. Vea la Fig. 3.

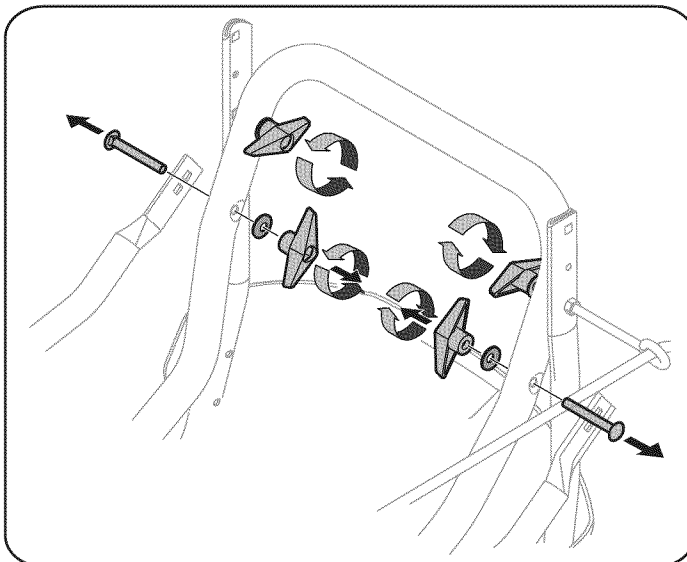


Figure 1

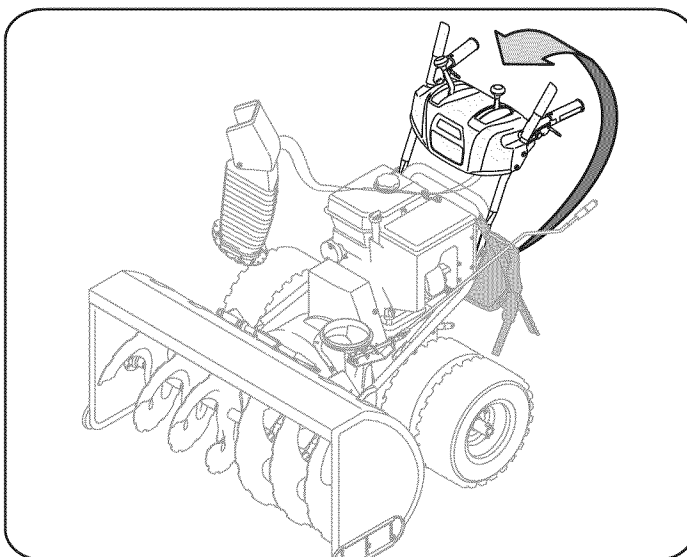


Figure 2

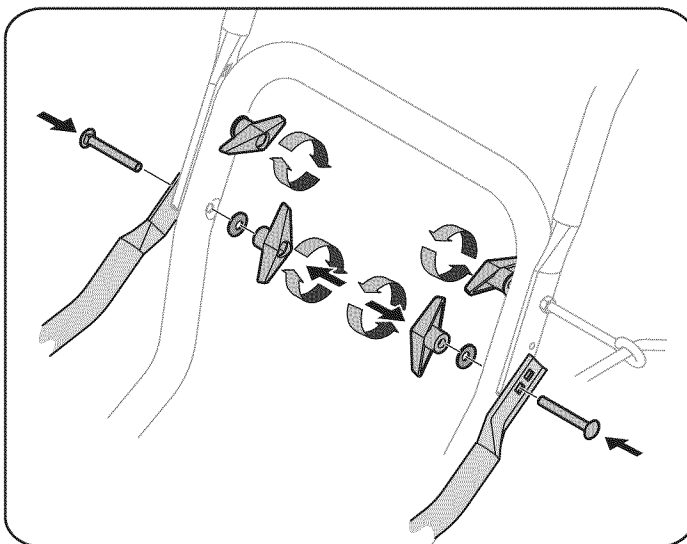


Figure 3

Montaje

CONTROL DIRECCIONAL DEL CANAL

1. Retire el broche de horquilla del control espiral como se muestra en la Fig. 4.
2. Inserte la varilla de control direccional del canal dentro del accesorio sobre el control espiral como se ve en la Fig. 4.
3. Asegure con el broche de horquilla previamente retirado.

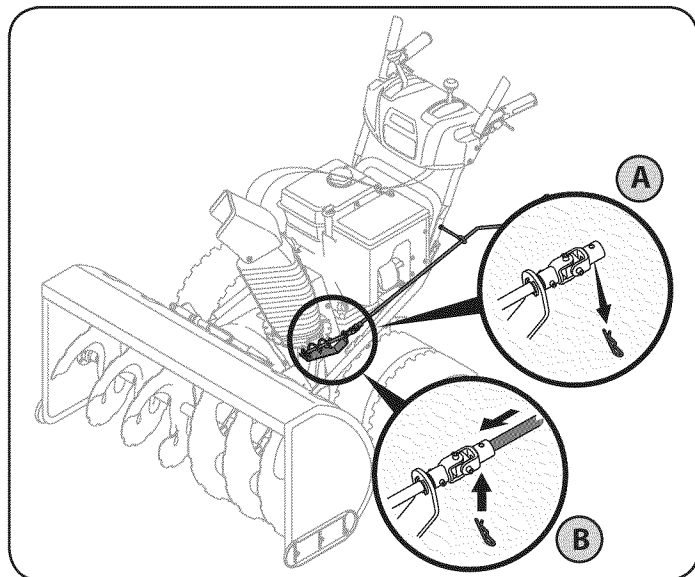


Figure 4

MONTAJE DEL CANAL

1. Retire las tuercas de seguridad y los tornillos que sujetan uno de los fijadores de brida al conjunto del canal. Afloje los sujetadores de los otros dos fijadores de brida. Vea la Fig. 5.
2. Coloque el conjunto del canal en la base del canal tal como se muestra en la Figura 6. Asegúrese de que las muescas del canal engranen con el extremo en espiral del control direccional del canal, y que los dos fijadores de brida se encuentren debajo de la brida sobre la base del canal.
3. Sujete el fijador de brida que se retiró antes con las tuercas de seguridad y los tornillos. Apriete las tuercas que sujetan los otros dos fijadores de brida. Vea la Fig. 5.

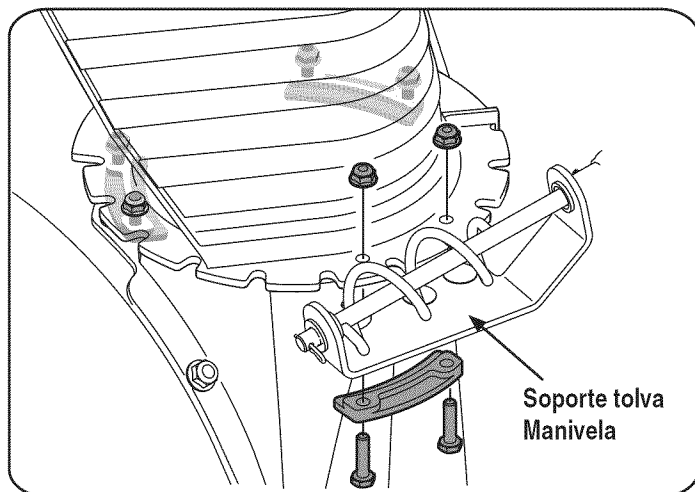


Figure 5

4. Controle que todos los cables del canal estén adecuadamente colocados a través de la guía de cables acoplada al montaje de la manija inferior. Vea la Fig. 6.

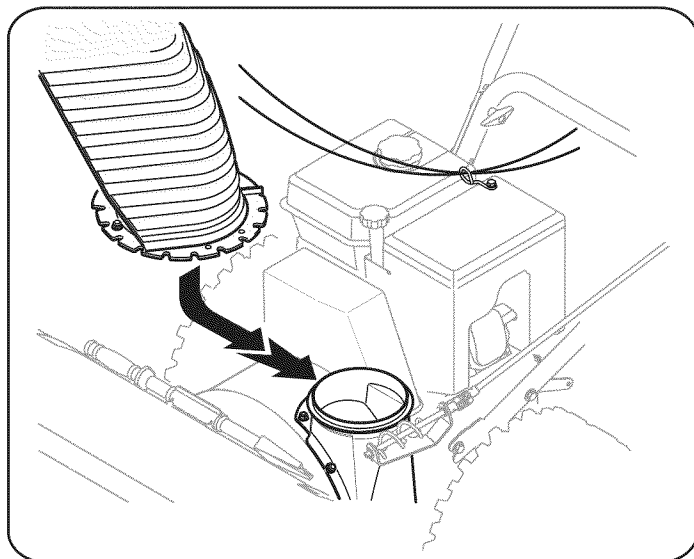


Figure 6

CONFIGURACIÓN

Limpiar la tolva de salida Herramienta

⚠ ADVERTENCIA

Nunca use las manos para limpiar la tolva obstruida una asamblea. Apagar el motor y se quedan hasta que se ocupa de todas las piezas móviles se han detenido antes de utilizar la herramienta de limpieza para limpiar la tolva de montaje.

Una tolva de limpieza de la herramienta está sujeta a la parte superior de la vivienda con una barrena pinza de montaje. Ver fig. 7. La herramienta está diseñada para borrar una tolva de montaje de hielo y nieve. Este tema, junto con el cable de extensión, se cierra con un cable de empate en la fábrica para propósitos de envío. Usted puede cortar el cable de empate en este momento.

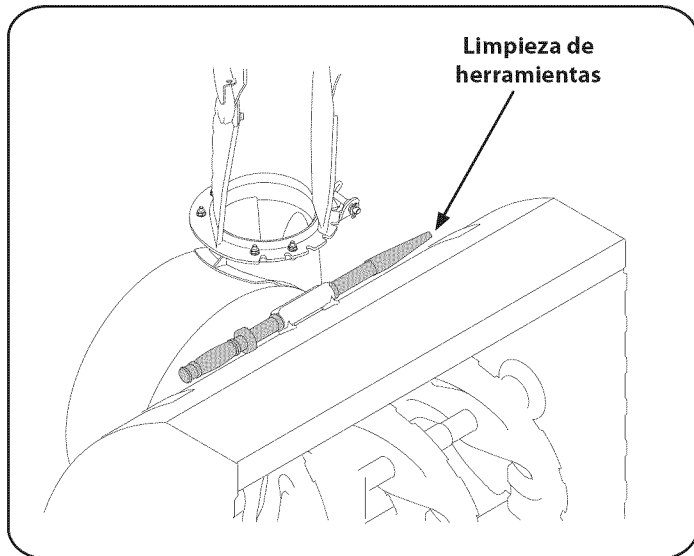


Figure 7

Montaje

Cortadores de deriva

La nieve lanzador deriva cortadores invertida se montan en la fábrica para propósitos de envío.

1. Quite las cuatro el pomo de mariposa (dos en cada lado) y pernos. Lugar deriva cortador en posición vertical y volver a conseguir. Ver fig. 8.

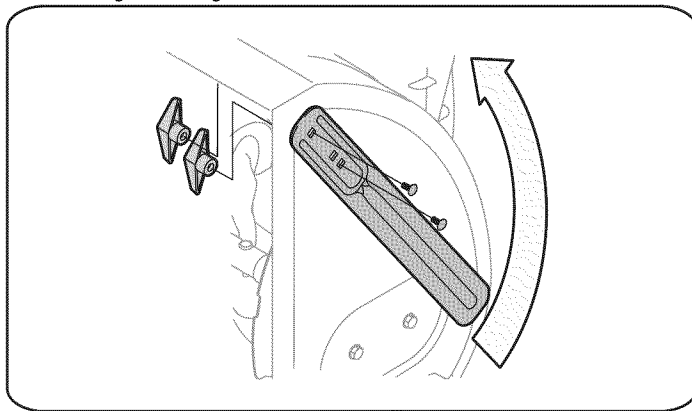


Figure 8

La presión de los neumáticos (llantas neumáticas)

⚠ ADVERTENCIA

Bajo ninguna circunstancia no excedan del fabricante recomienda psi. La igualdad de la presión de los neumáticos deben mantenerse en todo momento. Cuando la presión excesiva puede causar asientos bolas neumático / llanta de montaje para reventar con la fuerza suficiente para causar un daño grave. Se refieren a los flancos de los neumáticos de la presión recomendada.

Los neumáticos pueden ser el exceso de inflado para efectos de envío. Revise la presión de los neumáticos antes de la nieve lanzador. Se refieren a la pared lateral del neumático para las manufacturas y recomienda deflactar psi (o inflar) los neumáticos, según sea necesario.

NOTA: La igualdad de la presión de los neumáticos debe ser mantenida en todo momento para los efectos de la performance.

Recomendaciones de combustible

Uso de automóviles de gasolina (sin plomo o con plomo bajo la cámara de combustión para reducir al mínimo los depósitos), con un mínimo de 87 octano. La gasolina con hasta un 10% de etanol, o el 15% de MTBE (metil-terbutiléter) se puede utilizar. Nunca utilice un petróleo / gasolina o mezcla de gasolina sucia. Evite que entre suciedad, polvo o agua en el depósito de combustible. NO use gasolina E85.

- Repostar en un área bien ventilada, con el motor parado. No fume ni permita chispas o llamas en el área donde el motor está refueled o donde se almacena la gasolina.
- No llene en exceso el depósito de combustible. Después de las gasolineras, asegúrese de que el tapón del depósito se cierra correctamente y de forma segura.
- Tenga cuidado de no derramar el combustible, cuando las gasolineras. Derrame de combustible o vapor de combustible podría encenderse. Si alguna se derrama combustible, asegúrese de que la zona es seco antes de poner en marcha el motor.
- Evite el contacto repetido o prolongado con la piel o la respiración de vapor.

Añadiendo combustible

⚠ ADVERTENCIA

Utilice extremo cuidado al manipular gasolina. La gasolina es altamente inflamable y sus vapores son explosivos. Nunca combustible dentro de la casa o la máquina mientras el motor esté caliente o en funcionamiento. Apagar los cigarrillos, puros, pipas y otras fuentes de ignición.

⚠ ADVERTENCIA

Siempre mantenga las manos y los pies claro las piezas móviles del equipo. No use una presión a partir de fluidos. Los vapores son inflamables.

1. Limpie alrededor de llenar de combustible antes de retirar la tapa de combustible.
2. Un indicador de nivel de combustible se encuentra en el depósito de combustible. Llene el depósito de combustible hasta que alcanza el indicador de nivel de combustible, la Figura 9. Tenga cuidado de no en exceso.

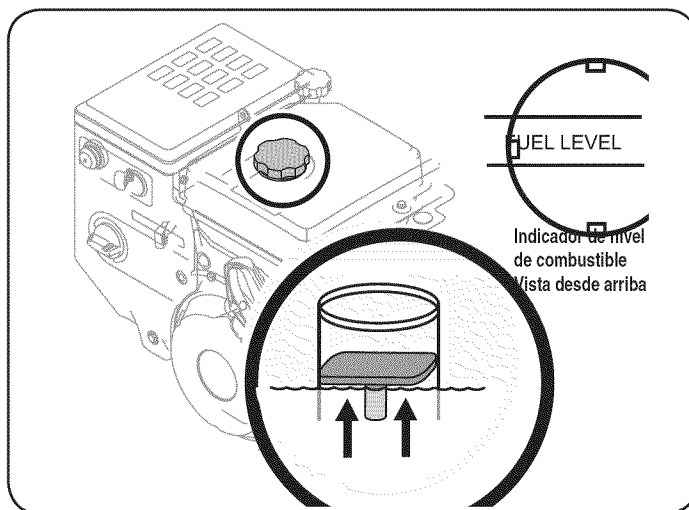


Figure 9

Comprobación del nivel de aceite

⚠ PRECAUCIÓN

El motor se entrega con aceite en el motor. Usted debe, sin embargo, comprobar el nivel de aceite antes de operar la nieve lanzador. Correr el motor con suficiente aceite motor puede causar graves daños y anular la garantía del motor.

NOTA: Asegúrese de verificar el motor sobre una superficie plana con el motor parado.

1. Retire el tapón de llenado de aceite / varilla y limpiar la varilla limpia. Ver fig. 10.
2. Inserte la tapa / varilla medidora en el llenado de aceite, pero no es tornillo pulg

IMPORTANTE: NO tornillo de la tapa / varilla medidora en el momento de comprobar el nivel de aceite.

3. Retire el tapón de llenado de aceite / varilla medidora. Si el nivel es bajo, añadir el aceite lentamente hasta el nivel de aceite entre los registros de altura (H) y bajo (L), fig. 10. Consulte la sección de mantenimiento del motor para corregir el aceite de viscosidad del aceite del motor y la capacidad.

Montaje

NOTA: No llene en exceso. Exceso de aceite puede resultar en el motor de fumar, dura la puesta en marcha o bujía incrustaciones.

4. Sustituir y apriete bien la tapa / varilla firmemente antes de arrancar el motor.

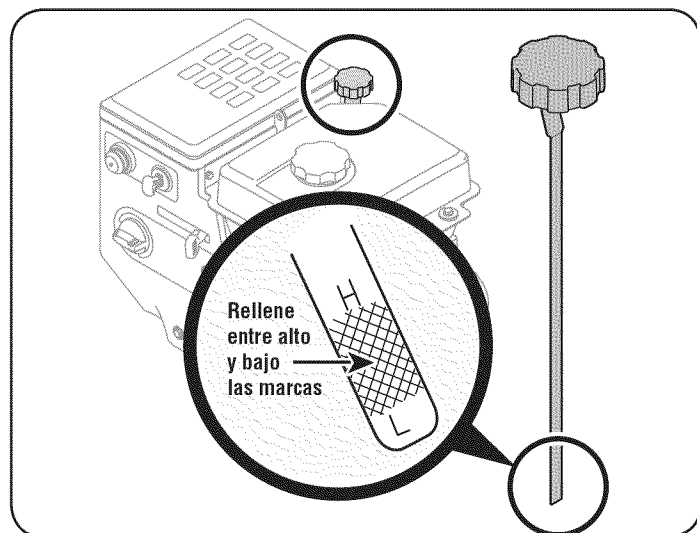


Figure 10

AJUSTES

Zapatos antideslizantes

La nieve lanzador zapatos antideslizantes se ajustan al alza en la fábrica para propósitos de envío. Ajuste a la baja antes de operar la nieve lanzador.

⚠ PRECAUCIÓN

No se recomienda usar el lanzador de nieve sobre la grava, ya que puede fácilmente recoger y tirar grava suelta, causando lesiones corporales o daños a la nieve y el lanzador que rodea la propiedad.

Para cerrar la nieve, sobre una superficie lisa, zapatos de ajustar el patín de forma que el afeitado placa en la parte inferior de la barrena no es más que la vivienda fuera de la tierra.

Ajuste el calzado antideslizante a una posición inferior a elevar el afeitado placa fuera de la tierra cuando la limpieza desigual áreas, tales como un tipo de cinta o un camino de grava de vehículos

NOTA: Si usted elige utilizar el lanzador de nieve en una superficie de grava, mantener el calzado antideslizante en la posición de máxima altura entre el suelo y la placa de afeitar.

Para ajustar el patín zapatos:

1. Zapatos antideslizantes ajustar aflojando los seis (tres en cada lado) tuercas hexagonales y pernos de zapatos antideslizantes garantizar la barrena a la vivienda. Consulte la Figura 11.
2. Si bien la observación de la distancia entre el plato y se afeitan el terreno, ajustar los zapatos patines hacia arriba o hacia abajo para alcanzar la altura deseada afeitado placa. Vea la Figura 11.
3. Asegúrese de que toda la superficie inferior de zapatos antideslizantes están en contra de la tierra para evitar el desgaste desigual en el patín zapatos y, a continuación, apretar las tuercas y pernos de seguridad.

Pruebas de Pierre Auger Drive Control

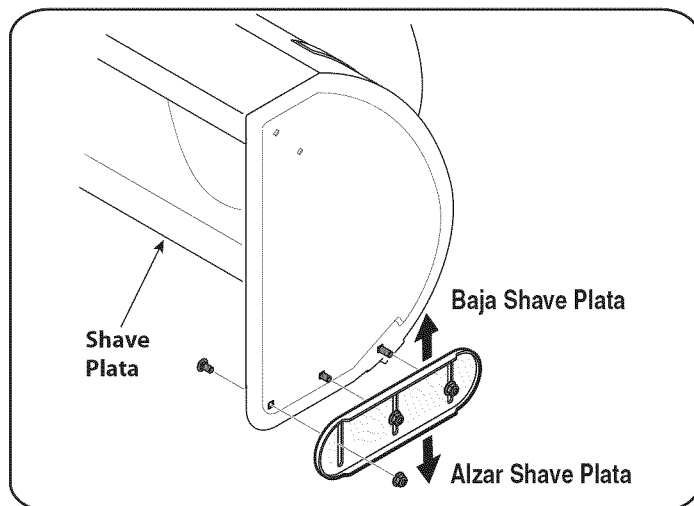


Figure 11

1. Cuando la barrena se suelta el control y en la desembragado "hasta" la posición, el cable debe tener muy poca holgura. No debe ser firme. Consulte la Figura 12.

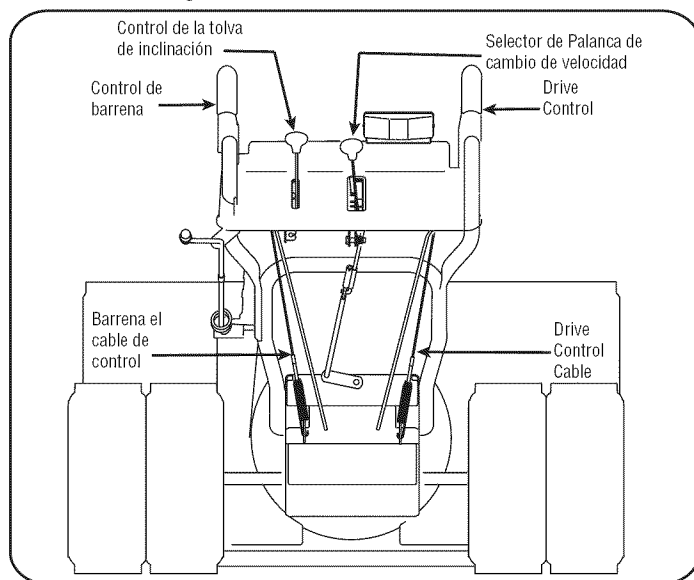


Figure 12

2. En un área bien ventilada, iniciar la nieve lanzador motor tal como se indica en la sección de Operación de este manual. Asegúrese de que el acelerador se encuentra en la posición FAST.
3. Mientras que de pie en la posición del operador (por detrás de la nieve lanzador), ejercer la barrena.
4. Dejar que la barrena a que mantenga su compromiso de aproximadamente diez (10) segundos antes de soltar el control de barrena. Repita esto varias veces.

NOTA: Al realizar la barrena, puede escuchar un "chirp" de sonido. Esto es normal, es el cinturón de la participación de la polea. Como se usa el cinturón, este sonido no se escucha cuando contrate el barrena.

5. Con la válvula de control en el FAST (conejo) y la posición de control en la barrena desembragado "arriba" y, a pie de la parte frontal de la máquina.
6. Confirme que la barrena ha dejado de rotar y no muestra signos de movimiento. Si la barrena se muestra ningún signo de la rotación, inmediatamente volver a la posición del operador y apagar el motor. Espere a que todas las piezas móviles se detengan antes de volver a ajustar el control de barrena. Testing

Montaje

Unidad de control de velocidad y selector de palanca

1. Con el motor apagado, mover la palanca del selector de velocidad en sexta (6) posición. Consulte la Figura 13.

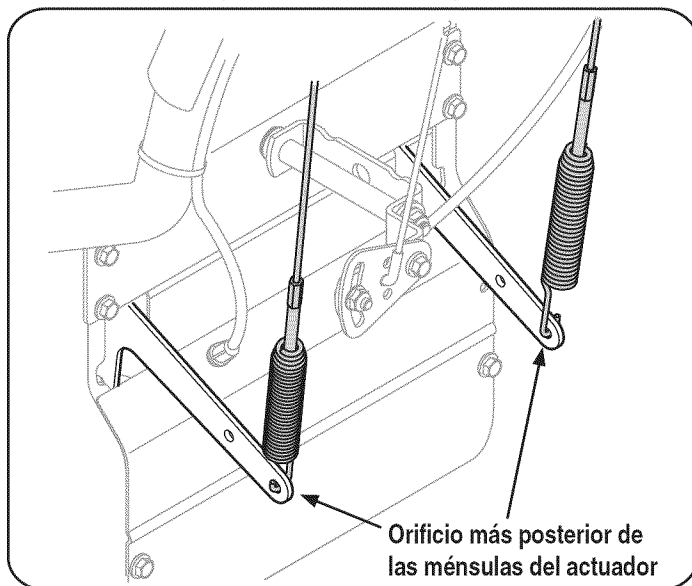


Figure 13

2. Con la rueda de control puestas en libertad, la nieve lanzador empuje hacia adelante y, a continuación, tire de ella hacia atrás. La máquina debe moverse libremente.
3. Involucrar a la unidad de control y trate de mover la máquina, tanto hacia delante y hacia atrás, la resistencia debe sentirse.
4. Mueva la palanca del selector de velocidad en el retroceso rápido (R2) la posición y repita los dos pasos.
5. Si la resistencia a la rodadura experimentado la unidad, ya sea cuando el reposicionamiento de la palanca del selector de velocidad de 6 a R2 o al intentar mover la máquina con la unidad de control puestas en libertad, ajustar el control de inmediato. Véase Ajuste de controles Drive y Pierre Auger.

Ajuste de controles Drive y Pierre Auger

6. Desde debajo de la palanca, tire hacia abajo en el cable apropiado y desenganche la primavera se encuentran en el extremo del cable de su respectivo soporte actuador. Las cifras se refieren a 13 y 14.
7. Deslice la primavera hasta el cable para exponer el cable acoplador hilos y tuerca. Consulte la Figura 14.
8. Ajuste la tuerca de la siguiente manera: Si el ajuste de la unidad de cable, hilo de la tuerca de bloqueo hacia el exterior (en el acoplador) para alargar el cable y permitir que la unidad a la libre circulación cuando se suelta el control. Hilo de la tuerca de perfeccionamiento activo (hasta el acoplador) para acortar el cable para reducir el deslizamiento y evitar que la máquina de ser movido fácilmente con la unidad de control dedicados.

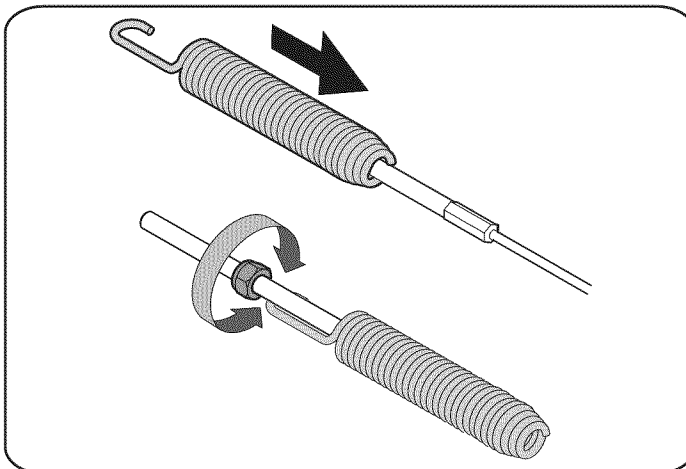


Figure 14

⚠ ADVERTENCIA

No apriete demasiado el cable. El exceso de endurecimiento, pueden impedir la barrena y el compromiso de la separación de la seguridad de la nieve lanzador.

9. Si la adaptación de la barrena de cable, hilo de la tuerca de bloqueo hacia el exterior hacia el final del hilo para alargar el cable, según sea necesario para detener el giro de la barrena cuando se suelta el control.
10. Segura del cable de conexión de cada primavera en el agujero adecuado de los respectivos actuador soporte. Ambos cables de gancho en el agujero más hacia atrás en cada soporte, como se muestra en la Figura 13.
11. Repetir la transmisión de la rueda de control de barrena y pruebas para comprobar el ajuste correcto. Repita los pasos anteriores si es necesario para lograr un buen ajuste de cada cable.

PASADORES DE CUCHILLA

Su máquina quitanieve trae un par de pasadores de cuchilla de la barrena y pasadores de chaveta con unión curva de reemplazo. Hay orificios suministrados en el panel de instrumentos de plástico para un almacenamiento adecuado de los pasadores de cuchilla. Empuje los pasadores a través de los orificios en el panel de instrumentos para asegurar con los pasadores de chaveta de unión curva. Vea la Fig. 15.

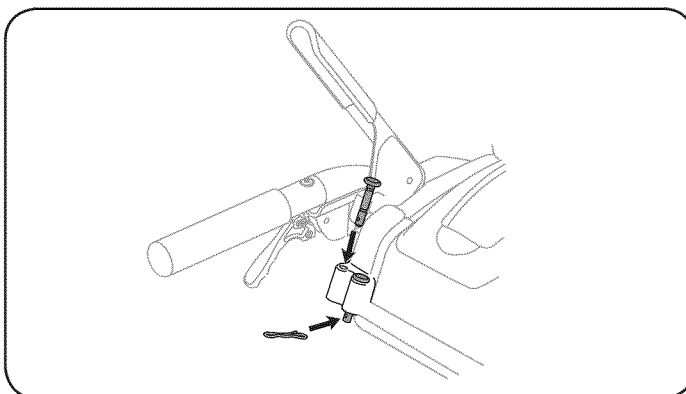


Figure 15

OPERACIÓN

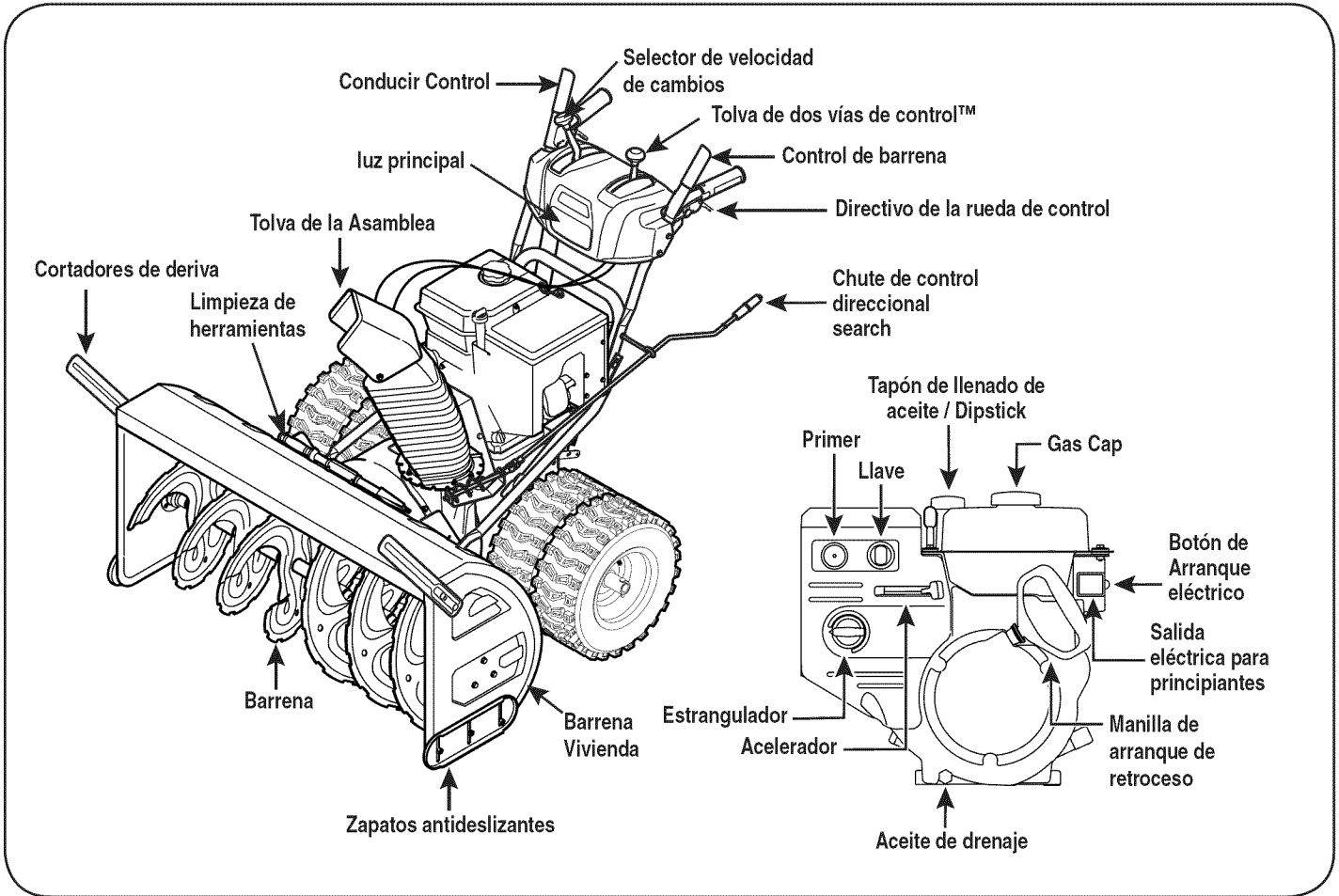


Figura 14

Ahora que ya ha ajustado su la máquina quitanieve para la operación, familiarícese con sus controles y características. Vea la Figura 14.

PALANCA DE CAMBIOS

La palanca de cambios está ubicada en el lado derecho del panel de mango. Sitúe la palanca de cambios en cualquiera de las ocho posiciones para controlar la dirección del desplazamiento y la velocidad de piso.

Avance

Hay cinco posiciones de avance (F). La posición uno (1) es la más lenta, y la posición seis (6) es la más rápida.

Retroceso

Hay dos velocidades de retroceso (R). La uno (1) es la más lenta, y la dos (2) es la más rápida.

FARO

El faro es localizado encima del panel de mango. Puede ser ajustado soltando los tornillos en cada lado del alojamiento ligero, giro de la luz o abajo, y nuevo apretamiento de los tornillos.

LLAVE DE ENCENDIDO

La llave de encendido es un dispositivo de seguridad. Debe estar completamente insertada para que el motor arranque. Retire la llave de encendido cuando no use la máquina quitanieve.

6
5
4
3

NOTE: No gire la llave de encendido para intentar arrancar el motor. Al hacerlo podría romperla.

2
↑
F 1
R 1
R 2

CONTROL DE OBTURACIÓN

El control de obturación se encuentra en la parte posterior del motor, y se activa haciendo girar la perilla en sentido de las agujas del reloj. Al activar el control de obturación se cierra la placa de obturación del carburador y se ayuda a encender el motor.



CONTROL DEL ESTRANGULADOR

El control del estrangulador está ubicado en el motor. Regula la velocidad del motor, y lo apaga cuando mueva el control a la posición STOP.

Cumple con los estándares de seguridad de ANSI

Las máquinas quitanieve de Craftsman cumplen con los estándares de seguridad del instituto estadounidense de estándares nacionales (ANSI).

OPERACIÓN

MANIJA DEL ARRANCADOR DE RETROCESO

Esta manija se utiliza para arrancar el motor manualmente.

BOTÓN DEL ARRANCADOR ELÉCTRICO

Si oprime el botón del arrancador eléctrico se engrana el arrancador eléctrico del motor cuando se lo enchufa a una fuente de energía de 120V.

SALIDA DEL ARRANCADOR ELÉCTRICO

Es necesario usar un cordón prolongador para exteriores de tres espigas y una fuente de energía / tomacorriente de pared de 120V.

BARRENAS

Cuando están en granadas, las barreras giran y retiran la nieve al interior de la caja de la barrena.

MONTAJE DEL CANAL

La nieve retirada al interior de la caja de la barrena se descarga en el montaje del canal.

CEBADOR

Al presionar el cebador se envía combustible directamente al carburador del motor para ayudar al encendido cuando el clima es frío.

LLENADO DE ACEITE

Es posible controlar el nivel de aceite del motor, así como también agregar aceite, a través del llenado de aceite.

TAPÓN DE COMBUSTIBLE

Desenrosque el tapón de combustible para agregar gasolina al tanque de combustible.

ZAPATAS ANTIDESLIZANTES

Ubique las zapatas antideslizantes en función de las condiciones de la superficie. Ajuste hacia arriba si la nieve está muy compactada. Ajústelas hacia abajo si usa la máquina en gravas o superficies con piedras trituradas.

CORTADORES DE MOVIMIENTO

Los cortadores de movimiento son diseñados para el uso en la nieve profunda. Su uso es opcional para condiciones de nieve normales.

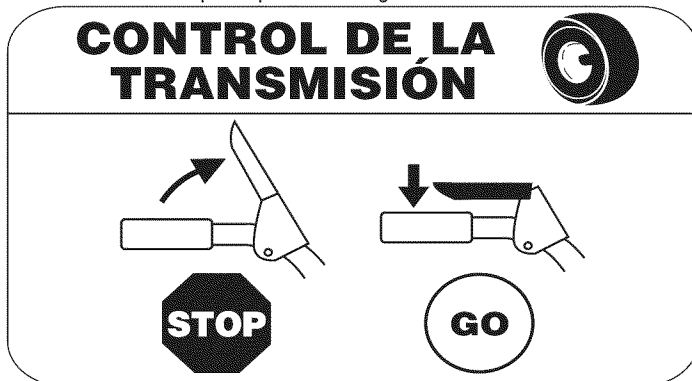
CONTROL DE LA BARRENA

El control de la barrena está ubicado en la manija izquierda. Apriete la empuñadura de control contra la manija para engranar las barrenas y empiece a quitar nieve. Suelte para que se detenga.



CONTROL DE LA TRANSMISIÓN/ CONTROL DE LA BARRENA DE CERRADURA

El control de transmisión está ubicado en la manija derecha. Presione la empuñadura de control contra la manija para engranar la rueda de transmisión. Suelte para que se detenga.



El control de la transmisión también bloquea el control de la barrena de manera que puede operar el control direccional del canal sin interrumpir el proceso de quitar la nieve. Si el control de la barrena se engrana simultáneamente con el control de transmisión, el operador puede soltar el control de la barrena (en la manija izquierda) y las barrenas continuarán engranadas. Suelte ambos controles para detener tanto las barrenas como la transmisión de las ruedas.

NOTA: Suelte siempre el control de la transmisión antes de cambiar de velocidad. De no proceder así, aumentará el desgaste del sistema de transmisión de su máquina.

RUEDA QUE CONDUCE MANDOS

La rueda izquierda y derecha que conduce mandos es localizada en la parte oculta de los mangos. Apriete el control derecho para dar vuelta a la derecha; apriete el control izquierdo para dar vuelta a la izquierda.

NOTA: Haga funcionar al lanzador de nieve en áreas abiertas hasta que usted sea familiar con estos mandos.

CONTROL DEL CANAL DE 2 DIRECCIONES™

La nieve de distancia es lanzada puede ser cambiado ajustando el ángulo de la asamblea de tolva. Avance el control de inclinación de tolva para disminuir la distancia, hacia el reverso para aumentar.

Ahora que ya ha ajustado su la máquina quitanieve para la operación, familiarícese con sus controles y características. Vea la Figura 14.

NOTA: Para aumentar o disminuir la tensión sobre el control de canal de dos vías, apretar o aflojar el pomo de mariposa en el ensamble de la cámara.

PALANCA DE CAMBIOS

La palanca de cambios está ubicada en el lado derecho del panel de mango. Sitúe la palanca de cambios en cualquiera de las ocho posiciones para controlar la dirección del desplazamiento y la velocidad de piso.

OPERACIÓN

Avance

Hay cinco posiciones de avance (F). La posición uno (1) es la más lenta, y la posición seis (6) es la más rápida.

Retroceso

Hay dos velocidades de retroceso (R). La uno (1) es la más lenta, y la dos (2) es la más rápida.

FARO

El faro es localizado encima del panel de mango. Puede ser ajustado soltando los tornillos en cada lado del alojamiento ligero, giro de la luz o abajo, y nuevo apretamiento de los tornillos.

LLAVE DE ENCENDIDO

La llave de encendido es un dispositivo de seguridad. Debe estar completamente insertada para que el motor arranque. Retire la llave de encendido cuando no use la máquina quitanieve.

NOTE: No gire la llave de encendido para intentar arrancar el motor. Al hacerlo podría romperla.

CONTROL DE OBTURACIÓN

El control de obturación se encuentra en la parte posterior del motor, y se activa haciendo girar la perilla en sentido de las agujas del reloj. Al activar el control de obturación se cierra la placa de obturación del carburador y se ayuda a encender el motor.

CONTROL DEL ESTRANGULADOR

El control del estrangulador está ubicado en el motor. Regula la velocidad del motor, y lo apaga cuando mueva el control a la posición STOP.

MANIJA DEL ARRANCADOR DE RETROCESO

Esta manija se utiliza para arrancar el motor manualmente.

BOTÓN DEL ARRANCADOR ELÉCTRICO

Si oprime el botón del arrancador eléctrico se engrana el arrancador eléctrico del motor cuando se lo enchufa a una fuente de energía de 120V.

SALIDA DEL ARRANCADOR ELÉCTRICO

Es necesario usar un cordón prolongador para exteriores de tres espigas y una fuente de energía / tomacorriente de pared de 120V.

BARRENAS

Cuando están en granadas, las barreras giran y retiran la nieve al interior de la caja de la barrena.

MONTAJE DEL CANAL

La nieve retirada al interior de la caja de la barrena se descarga en el montaje del canal.

CEBADOR

Al presionar el cebador se envía combustible directamente al carburador del motor para ayudar al encendido cuando el clima es frío.

LLENADO DE ACEITE

Es posible controlar el nivel de aceite del motor, así como también agregar aceite, a través del llenado de aceite.

TAPÓN DE COMBUSTIBLE

Desenrosque el tapón de combustible para agregar gasolina al tanque de combustible.

ZAPATAS ANTIDESLIZANTES

Ubique las zapatas antideslizantes en función de las condiciones de la superficie. Ajuste hacia arriba si la nieve está muy compactada. Ajústelas hacia abajo si usa la máquina en gravas o superficies con piedras trituradas.

CORTADORES DE MOVIMIENTO

Los cortadores de movimiento son diseñados para el uso en la nieve profunda. Su uso es opcional para condiciones de nieve normales.

CONTROL DIRECCIONAL DEL CANAL

La control direccional del canal es localizada en el lado izquierdo del lanzador de nieve.

- Para cambiar la dirección hacia la cual se arroja la nieve, gire en sentido de las agujas del reloj para descargar la nieve hacia la izquierda, y en dirección contraria de las agujas del reloj para descargarla hacia la derecha.

HERRAMIENTA DE LIMPIEZA

La herramienta de limpieza del canal está ajustada convenientemente a la parte posterior de la caja de la barrena con un pasador de ensamblado. Si se acumulan nieve y hielo en el canal de descarga durante la operación, proceda como se indica a continuación para limpiar de manera segura el montaje del canal y la abertura del canal:

ADVERTENCIA

Nunca use sus manos para liberar un montaje de canal tapado. Antes de destaparlo, apague el motor y permanezca detrás de las manijas hasta que todas las partes móviles se hayan detenido.

1. Suelte el control de la barrena y el control de la transmisión.
2. Para detener el motor saque la llave de encendido.
3. Saque la herramienta de limpieza del pasador que la ajusta a la parte posterior de la caja de la barrena.
4. Use el extremo con forma de pala de la herramienta de limpieza para desplazar y recoger la nieve y el hielo que se formaron cerca del conjunto del canal.
5. Vuelva a ajustar la herramienta de limpieza al pasador de ensamblado ubicado en la parte posterior de la caja de la barrena, inserte de nuevo la llave de encendido y encienda el motor de la máquina quitanieve.
6. Parado en la posición del operador (detrás de la máquina quitanieve), engrane el control de la barrena durante unos segundos para eliminar la nieve o el hielo que hayan quedado en el conjunto del canal.

OPERACIÓN

ANTES DE ENCENDER EL MOTOR

⚠ ADVERTENCIA

Lea, comprenda y siga todas las instrucciones y advertencias que aparecen en la máquina y en este manual antes de operarla.

Aceite

El motor se envió con aceite en el motor. Controle el nivel de aceite antes de cada operación para asegurarse de que haya aceite suficiente en el motor. Para obtener más instrucciones, remítase a los pasos que aparecen en la página 53.

1. Saque la varilla del nivel de aceite del orificio de llenado de aceite.
2. Controle y compruebe que el nivel de aceite esté hasta arriba en la marca CHOKE de la varilla del nivel del aceite.
3. Si el nivel de aceite no llega hasta CHOKE, vierta aceite de motor nuevo (5W-30, con una clasificación mínima de SL/SJ) lentamente a través de la abertura. Vuelva a colocar la varilla del nivel de aceite en el llenado de aceite y controle nuevamente el nivel de aceite.

Gasolina

⚠ ADVERTENCIA

Tenga extremo cuidado cuando manipule gasolina. La gasolina es altamente inflamable y sus vapores pueden causar explosiones. Nunca agregue combustible a la máquina en interiores o mientras el motor está caliente o en funcionamiento. Apague los cigarrillos, cigarras, pipas y otras fuentes de combustión.

- Almacene la gasolina en un recipiente aprobado limpio y coloque la tapa en el recipiente.
- Asegúrese de que el recipiente desde el cual vierte la gasolina esté limpio y no esté oxidado ni contaminado con otras partículas extrañas.

NOTA: Dentro de la apertura para llenado de combustible puede encontrarse una tapa guardapolvos de plástico. Retire y descarte, si la hubiera.

- Llène siempre el tanque de combustible al aire libre y use un embudo o pico para evitar derramamientos.
- Llène el tanque de combustible con gasolina sin plomo, limpia y fresca.
- Nunca llene completamente el tanque. Llène el tanque hasta 1/2 pulg por debajo del tope, dejando así espacio para la dilatación del combustible.
- Asegúrese de limpiar el combustible que se haya derramado antes de arrancar el motor.

ENCENDIDO DEL MOTOR

1. Conecte el cable de la bujía a la misma. Compruebe que el lazo de metal del extremo de la bujía esté bien ajustado (dentro de la manga de goma) sobre la punta metálica de la bujía.
2. Asegúrese de que el control de la barrena y el control de la transmisión estén en posición desengranada (sin presionar).
3. Inserte la llave de encendido en la ranura. Asegúrese de que entre a presión en su lugar. No intente girar la llave.

NOTA: El motor no puede arrancar si la llave no está completamente insertada en el interruptor de encendido.


Arrancador eléctrico


⚠ ADVERTENCIA

El arrancador eléctrico opcional está equipado con un cable de alimentación y un enchufe de tres terminales conectados a tierra y está diseñado para operar con corriente doméstica de 120 voltios. Debe ser utilizado con un receptáculo de tres terminales correctamente conectado a tierra en todo momento para evitar la posibilidad de descargas eléctricas. Siga todas las instrucciones cuidadosamente para operar el arrancador eléctrico.

Determine si el cableado de su hogar es un sistema de tres cables conectado a tierra. Consulte con un electricista matriculado si no está seguro.

Si cuenta con un receptáculo de tres terminales, siga los siguientes pasos:

1. Conecte el prolongador a la salida situada en la superficie del motor. Conecte el otro extremo del prolongador en un receptáculo de CA con conexión a tierra de tres terminales de 120 voltios, en un área bien ventilada.
2. Gire el control de obturación a posición de obturación CHOKE  (para encendido con el motor en frío).

NOTA: si el motor ya está caliente, ubique el control del obturador en posición RUN en lugar de CHOKE .


3. Presione el cebador dos o tres veces para arrancar el motor en frío, asegurándose de cubrir el orificio de ventilación situado en el centro del cebador cuando esté presionando.

NOTA: NO UTILICE el cebador para reiniciar un motor caliente tras una detención breve.


4. Presione el botón del arrancador para arrancar el motor.


⚠ PRECAUCIÓN

Para prolongar la vida de arranque, el uso de comenzar los ciclos a corto (5 segundos como máximo, a continuación, espere un minuto).

5. Una vez encendido el motor, suelte el botón del arrancador.
6. Mientras se calienta el motor, gire lentamente el control del obturador a posición RUN (apagado). Si el motor falla, vuelva a girar rápidamente el obturador a posición CHOKE  y luego, lentamente, a posición RUN de nuevo.
7. Cuando desconecte el prolongador, desenchufe siempre el extremo del receptáculo de tres terminales en el tomacorriente de pared antes de desenchufar el extremo opuesto de la máquina quitanieve.

Arrancador de retroceso

1. Gire el control de obturación a posición de obturación CHOKE  (encendido con el motor en frío).


NOTA: Si el motor ya está caliente, ubique el control del obturador en posición RUN en lugar de CHOKE .

2. Presione el cebador dos o tres veces para arrancar el motor en frío, asegurándose de cubrir el orificio de ventilación situado en el centro del cebador cuando esté presionando.

OPERACIÓN

NOTA: NO UTILICE el cebador para reiniciar un motor caliente tras una detención breve.


NOTA: tal vez sea necesario un cebado adicional si la temperatura es inferior a 15° Fahrenheit.

3. Tome la manija del arrancador de retroceso y tire de la cuerda hacia afuera lentamente. En el momento en el que se haga levemente más difícil tirar de la cuerda, permita que la misma retroceda lentamente.
4. Tire de la manija del arrancador con un movimiento firme y rápido. No suelte la manija ni permita que se desenganche. Mantenga la manija del arrancador firmemente sujeta y permita que la cuerda retroceda lentamente.
5. Mientras se calienta el motor, gire lentamente el control del obturador a posición RUN (apagado). Si el motor falla, vuelva a girar rápidamente el obturador a posición CHOKE  y luego, lentamente, a posición RUN de nuevo.

NOTA: permita que el motor se caliente durante unos minutos tras el arranque. El motor no desarrollará toda su potencia hasta que alcance temperaturas operativas.

DETENCIÓN DEL MOTOR

Deje encendido el motor durante algunos minutos antes de detenerlo para permitir que se seque la humedad en el mismo.

1. Mueva el control del estrangulador a la posición STOP .

PRECAUCIÓN

No mueva el estrangulador de control del estrangulador a la posición de detener el motor. Contraproducentes o el motor puede dañarse.

2. Retire la llave de encendido y guárdela en un lugar seguro.
3. Limpie la nieve y la humedad del área alrededor del motor, así como también en el área (y alrededor de ésta) del interior de los controles de la transmisión y de la barrena. Asimismo, enganche y suelte ambos controles varias veces.

PROCEDIMIENTO PARA ENGRANAR LA TRANSMISIÓN

1. Mueva la palanca de cambios a una de las seis posiciones de avance (F) o de las dos posiciones de reversa (R). Seleccione la velocidad adecuada para el estado de la nieve existente y una velocidad con la que se sienta cómodo.

NOTA: Al seleccionar una velocidad de la transmisión, use las velocidades más lentas hasta que se sienta cómodo y se haya familiarizado con el funcionamiento de la máquina quitanieve.

2. Apriete el control de la transmisión contra la manija derecha, y la máquina quitanieve se moverá. Suéltelo y se detendrá el movimiento de la transmisión.

NOTA: NUNCA cambie la posición de la palanca de cambios (cambio de velocidades o de dirección de desplazamiento) sin soltar primero el control de transmisión y detener por completo la máquina quitanieve. Esto producirá un desgaste prematuro del sistema de transmisión de la máquina quitanieve.

PROCEDIMIENTO PARA ENGRANAR LAS BARRENAS

1. Apriete el control de la barrena contra la manija y las barrenas rotarán. Suéltela y las barrenas se detendrán.

SUSTITUCIÓN DE ROTURA PINES

Barrena cada hoja se sujeta al eje de la barrena con una cizalla pines y arco-tie clip. Si la barrena debe encontrar un objeto extraño o atasco de hielo, la nieve lanzador está diseñado para que los pines de mayo de cizalla cizalla. Si una barrena de hoja no se enciende, compruebe si su clavija esquilada ha apagado. Vea la Figura 15.

PRECAUCIÓN

NUNCA sustituir la barrena cizalla pines con algo que no sea Sears SKU # 88389/OEM Part No. 738-04155 sustitución cizalla alfileres. Cualquier daño a la caja de cambios barrena o de otros componentes como resultado de no hacerlo no serán cubiertos por su garantía de nieve lanzador.

ADVERTENCIA

Apague siempre la nieve lanzador del motor y quitar la llave antes de la sustitución de cizalla alfileres.

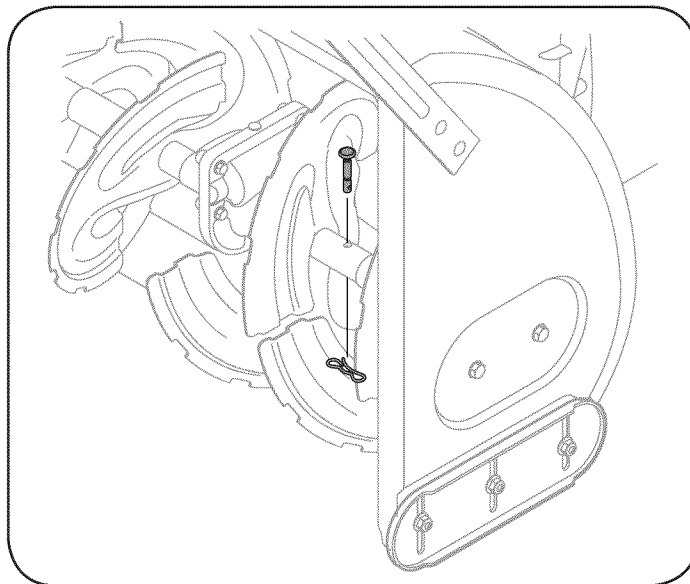


Figura 15

SERVICIO Y MANTENIMIENTO

LISTA DE MANTENIMIENTO

⚠ WARNING

Antes de realizar cualquier tipo de mantenimiento / servicio, desactivar todos los controles y parar el motor. Espere hasta que todas las piezas móviles han llegado a una parada completa. Eliminar la clave para prevenir involuntaria de comenzar. Siempre use gafas de seguridad durante el funcionamiento o en el desempeño de cualquier ajuste o reparación.

Siga la lista de mantenimiento dada abajo. Esta carta describe pautas de servicio sólo. Use la columna de Tronco de Servicio para guardar la pista de tareas de mantenimiento completadas. Localizar el más cercano Chamusca el Centro de Servicio o programar el servicio, simplemente ponerse en contacto Chamusca en **1-800-4-MY-HOME®**.

Intervalo	Artículo	Servicio	Tronco de Servicio
Cada Uso y 5 horas	<ol style="list-style-type: none"> Nivel del aceite de motor Hardware suelto o ausente Unidad y motor 	<ol style="list-style-type: none"> Comprobar Apriete o sustituir Limpio 	
Los 5	<ol style="list-style-type: none"> El aceite de motor 	<ol style="list-style-type: none"> Cambio 	
Anualmente o 25 horas	<ol style="list-style-type: none"> Bujía Encadenamientos de control y pivotes Ruedas Eje de engranaje y eje de la barrena Control del canal de 4 direcciones™ 	<ol style="list-style-type: none"> Comprobar Lubricación con petróleo ligero Lubricación con automotores multiusos Lubricación con petróleo ligero Cambio el estancamiento de cable 	
Anualmente o 50 horas	<ol style="list-style-type: none"> El aceite de motor 	<ol style="list-style-type: none"> Cambio 	
Anualmente o 100 horas	<ol style="list-style-type: none"> Bujía 	<ol style="list-style-type: none"> Cambio 	
Antes de Almacenaje	<ol style="list-style-type: none"> Sistema de combustible 	<ol style="list-style-type: none"> El motor dirigido hasta que esto se pare a falta del combustible 	

MANTENIMIENTO DE MOTOR

Control del aceite del motor

⚠ ADVERTENCIA

Antes de realizar tareas de lubricación, reparación o inspección, desengrane todos los controles y detenga el motor. Espere a que se detengan todas las piezas móviles.

NOTA: Verifique el nivel de aceite antes de cada uso para cerciorarse que se mantiene el nivel de aceite indicado.

Cuando le agregue aceite al motor, consulte la siguiente tabla de viscosidad. La capacidad de aceite del motor es 600 ml (aprox. 37 onzas). No llene excesivamente. Use un aceite para motor de cuatro tiempos, o un aceite detergente de calidad Premium con certificado que cubra o exceda las exigencias de los fabricantes de automóviles americanos respecto de la clasificación de servicio SG y SF. Los aceites para motor con la clasificación SG, SF tienen esta designación en el envase.

- Retire el tapón de llenado de aceite y limpie la varilla de medición de aceite.
- Inserte la tapa / varilla de medición en el cuello de llenado de aceite, pero no lo atornille pulg.
- NOTA:** En algunos motores, un tapón de rosca con rosca estará presente en lugar del cuarto de vuelta tapón de cierre. En el caso de un tapón roscado de aceite / varilla de medición, el tornillo de la tapa del NO con varilla de nivel para ver. Revise el aceite al descansar la tapa / varilla de medición en los hilos, pero no lo enrosca pulg.
- Retire el tapón de llenado de aceite. Si el nivel está bajo, agregue

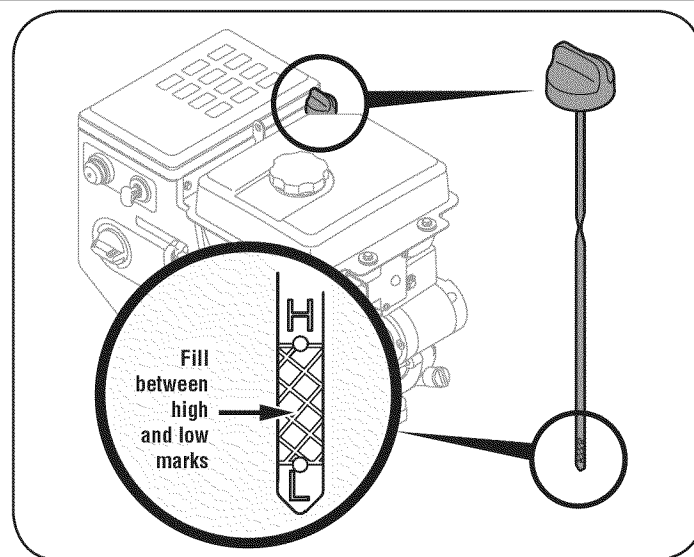


Figura 16

aceite lentamente hasta registros de nivel del aceite entre alto (H) y bajo (L). Vea la Figura 16.

- Ajuste firmemente la varilla de medición antes de arrancar el motor.

Cambio de aceite del motor

NOTA: Cambie el aceite después de las 5 primeras horas de operación y después de cada 50 horas de operación o una vez por temporada.

SERVICIO Y MANTENIMIENTO

1. Vacíe el combustible del tanque haciendo funcionar el motor hasta que el tanque de combustible esté vacío. Cerciérese de que la tapa del combustible esté asegurada.
2. Coloque un recipiente adecuado para recolectar el aceite bajo el tapón de drenaje de aceite.
3. Retire el tapón de drenaje de aceite. Vea la Figura 17.

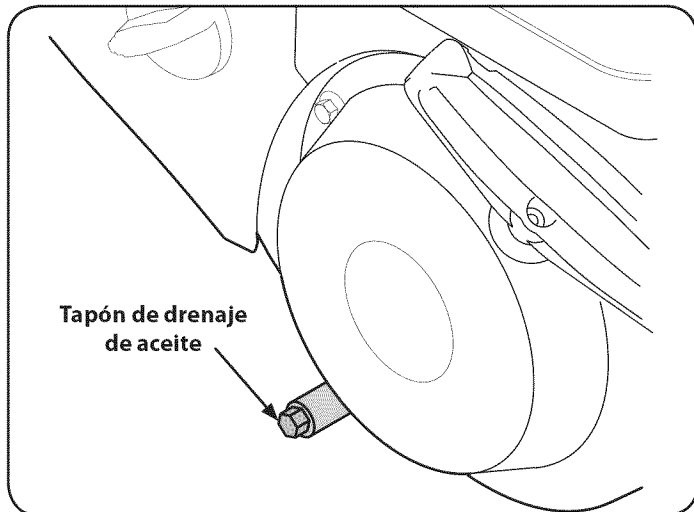


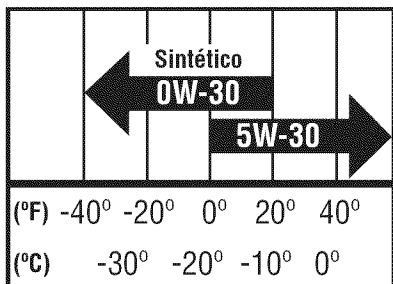
Figura 17

4. Incline el motor para drenar el aceite en el recipiente. El aceite usado se debe descartar en un centro de recolección adecuado.

⚠ PRECAUCIÓN

El aceite usado es un residuo peligroso. Elimine el aceite usado adecuadamente. No lo arroje junto con los residuos domiciliarios. Consulte a las autoridades locales o al centro de servicio Sears para averiguar dónde hay instalaciones para la eliminación/ reciclaje segura(o) del aceite usado.

5. Vuelva a colocar el tapón de drenaje de aceite y ajústelo bien.
6. Rellene el motor con el petróleo recomendado. Ver la carta de Uso del Aceite Recomendada. La capacidad del aceite del motor es 37 onzas.



⚠ PRECAUCIÓN

NO utilice aceites sin detergente o para motor de dos tiempos. Podría acortar la vida útil del motor.

7. Vuelva a colocar y ajustar el tapón de llenado/la varilla de nivel de aceite.

⚠ PRECAUCIÓN

Lávese bien las manos con agua y jabón inmediatamente después de tocar aceite usado.

Control de la bujía

⚠ ADVERTENCIA

NO pruebe la chispa si no está la bujía de encendido. NO dé arranque al motor si no está la bujía de encendido.

⚠ ADVERTENCIA

Si el motor ha estado funcionando, el silenciador estará muy caliente. Tenga cuidado de no tocar el silenciador.

NOTA: Controle la bujía anualmente o cada 25 horas de operación. Cambie la bujía anualmente o cada 100 horas.

Para asegurarse de que el motor funcione bien, la bujía debe tener una separación correcta y no tener sedimentos.

1. Retire la funda de la bujía y utilice una llave para bujías para extraerla. Vea la Figura 18.

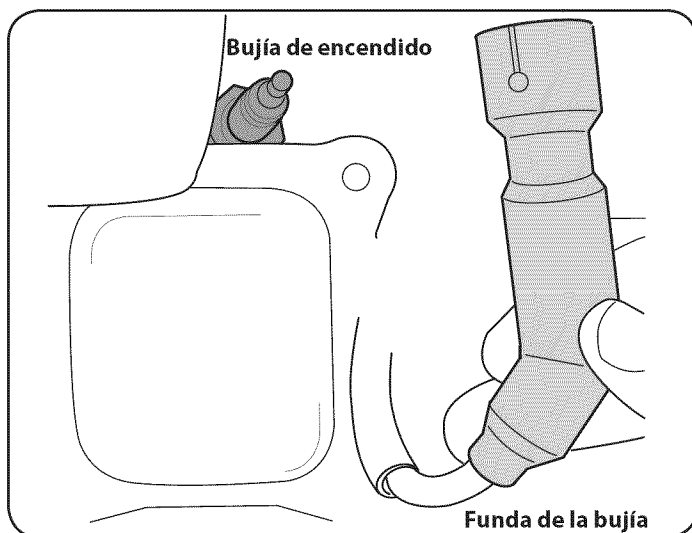


Figura 18

2. Inspeccione visualmente la bujía. Descarte la bujía si presenta mucho desgaste, o si el aislante está agrietado o astillado. Limpie la bujía con un cepillo de alambre si va a volver a utilizar.
3. Mida la separación de bujía con un calibre. Corrija de ser necesario torciendo el electrodo lateral. Vea la Figura 19. La separación debe establecerse entre 0,02 y 0,03 pulgadas (0,60-0,80 mm).

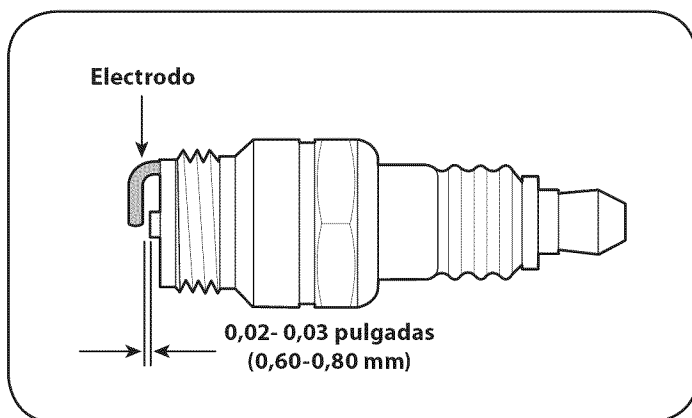


Figura 19

SERVICIO Y MANTENIMIENTO

4. Verifique que la arandela de la bujía esté en buenas condiciones y enrósquela manualmente para no estropear la rosca.
5. Una vez que la bujía esté colocada, apriétela con una llave para comprimir la arandela.

NOTA: Cuando instale una bujía nueva, una vez colocada la bujía apriete 1/2 vuelta para comprimir la arandela. Cuando vuelva a colocar una bujía usada, una vez colocada la bujía apriete 1/8 - 1/4 de vuelta para comprimir la arandela.

⚠ PRECAUCIÓN

La bujía debe estar bien ajustada. Una bujía floja puede recalentarse y dañar el motor.

AJUSTE DE CARBURADOR

El carburador no es usuario ajustable. Piezas en contacto con Sears y Reparación para el ajuste.

LUBRICACIÓN

Mecanismo de Cambio de la unidad y

Al menos una vez por temporada o después de cada 25 horas de funcionamiento, eliminar cubierta trasera. Lubrique todas las cadenas, piñones, engranajes, rodamientos, ejes, y el mecanismo de desplazamiento. Utilice aceite de motor o un aerosol lubricante. Consulte la Figura 20.

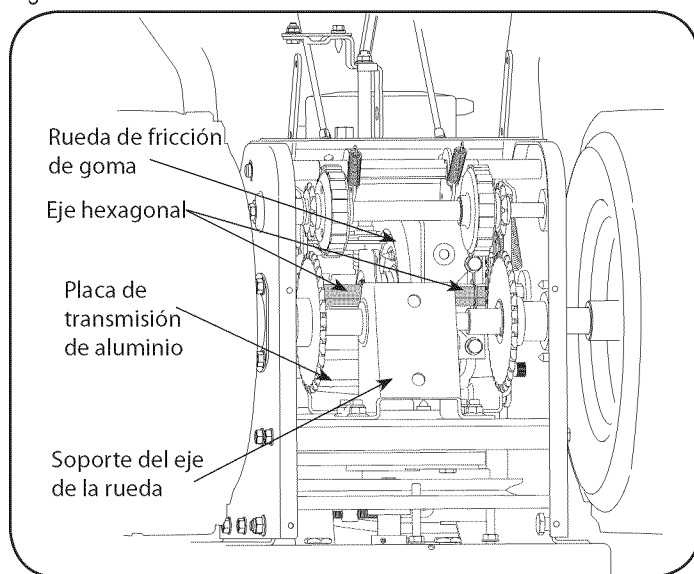


Figura 20

NOTA: Tenga cuidado de no obtener ninguna de aceite en la unidad placa de aluminio o de goma de rueda de fricción. Si lo hace, será un obstáculo la nieve lanzador del sistema de accionamiento. Enjugar el exceso o el aceite derramado.

1. Por lo menos una vez a la grasa de la temporada de los eje de la rueda con grasa Ártico, número de parte 737-0318. La guarnición de la grasa se encuentra en el tubo de la rueda del eje detrás del soporte de la rueda de apoyo del eje.

Ruedas

Al menos una vez por temporada, quite las dos ruedas. Limpieza y revestimiento los ejes con una grasa multiusos automóvil antes de volver a instalar las ruedas.

Chute de control direccional

Una vez que una temporada, lubricar el ojo y el casquillo de saeta espiral con 3-en-1 de petróleo.

Barrena eje

Al menos una vez por temporada, uno a la vez, quitar todos los alfileres de cizalla de la barrena eje. Spray lubricante en el interior del centro de cada reunión y de barrena espiral alrededor de los espaciadores en el eje barrena.

Accesorios de grasa también se puede encontrar en cada extremo del eje de la barrena. Lubricar con una pistola de grasa una vez por temporada. Vea la Figura 21.

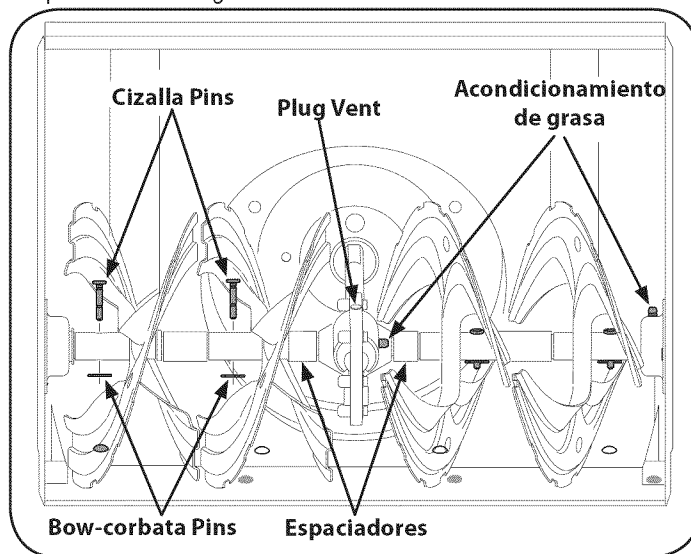


Figura 21

AFEITADO PLATA Y ZAPATOS ANTIDESLIZANTES

La placa de afeitar y calzado antideslizante en la parte inferior de la nieve lanzador están sujetas a desgaste. Que deben verificarse periódicamente y reemplazarse cuando sea necesario.

Zapatos antideslizantes

NOTA: Los zapatos antideslizantes en este equipo tiene dos bordes desgaste. Cuando una de las partes lleva a cabo, se pueden girar 180 ° a utilizar el otro borde.

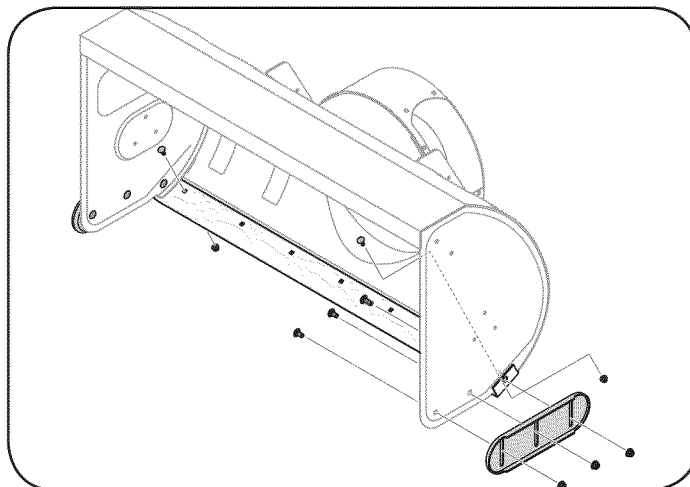


Figura 22

SERVICIO Y MANTENIMIENTO

1. Retire los seis pernos y tuercas hexagonales que sujetan los dos zapatos antideslizantes a los lados de la barrena vivienda. Consulte la Figura 22.
2. Coloque el nuevo zapatos antideslizantes y segura con los pernos y tuercas hexagonales. Asegúrese de que los zapatos antideslizantes se ajustan al mismo nivel.

Afeitado Plata

1. Retire el tuercas hexagonales y pernos que sujetan la placa de afeitado a la parte inferior de la vivienda.
2. Retire la parte posterior la mayoría de tuercas hexagonal y el transporte perno de asegurar la parte de atrás de cada zapato patín a los lados de la vivienda. Aflojar las cuatro tuercas hexagonales restantes asegurar los zapatos antideslizantes.
3. Deslice la placa de afeitar de la serie fuera de la ranura en la parte inferior de la vivienda, y de entre los zapatos antideslizantes y paneles laterales de la vivienda.
4. Con los orificios de montaje hacia la parte trasera de la unidad, deslice la placa de afeitar nueva y segura en su posición con los tornillos retirados previamente.

AJUSTES

Desplazamiento por cable

Si toda la gama de velocidades (adelante y atrás) no se puede lograr, se refieren a la Figura 23 y ajustar el cable de cambio de la siguiente manera:

5. Coloque la palanca de cambios en la posición de velocidad más rápido hacia adelante.
6. Afloje la tuercas hexagonal en el soporte de cambio de índice de cable. Véase la figura. 23.

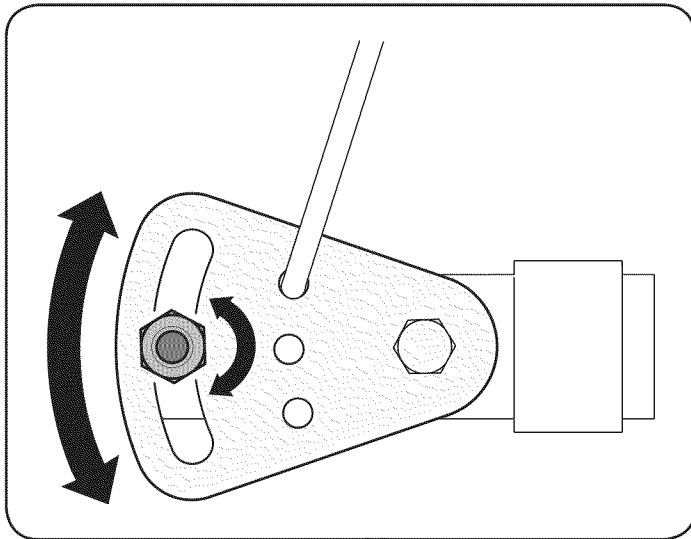


Figura 23

7. Gire el soporte hacia abajo para tensar el cable.
8. Vuelva a apretar la tuercas hexagonal.

Control de la tolva

La nieve es lanzada a distancia se puede ajustar mediante el ajuste del ángulo de la tolva de montaje. Consulte la sección de Operación para obtener instrucciones.

La tolva de los cables de control remoto han sido pre-ajustados en fábrica. Mueva la palanca de la tolva remoto en el panel de control hacia adelante a la parte superior del pivote tolva hacia abajo, mover la palanca hacia atrás para girar la parte superior de la tolva.

De transmisión de la rueda de control

Consulte la sección Ajuste de la Asamblea instrucciones para ajustar la rueda de control. A fin de comprobar el ajuste, proceda de la siguiente manera:

1. Con la punta de nieve lanzador adelante (ser determinados para ejecutar el depósito de combustible en seco antes de inclinar la unidad hacia adelante), quite el marco debajo de la cubierta de nieve lanzador quitando los tornillos autorroscantes.
2. Busque la apertura entre el soporte del eje delantero y el marco de apoyo (véase la Figura 24). Mirando a través de esta apertura, con la rueda de control en libertad, debe haber espacio entre la rueda y la fricción de la placa de la unidad en todas las posiciones de la palanca del selector de velocidad.
3. Con la rueda de control dedicado, la fricción de la rueda deberá ponerse en contacto con la placa de la unidad. Vea la Figura 24.
4. Si no hay fricción rueda de liquidación, o la fricción de la rueda no se sólidamente en contacto con la placa de la unidad, vuelva a ajustar la tuerca en el extremo inferior de la unidad de cable

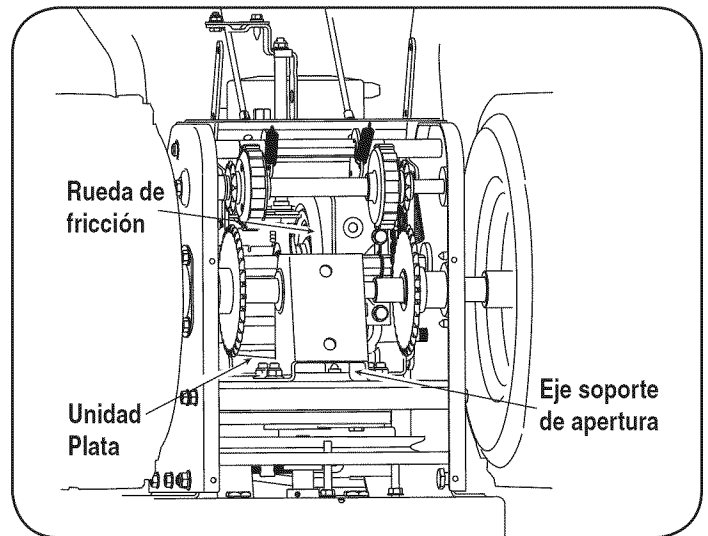


Figura 24

- siguiendo las instrucciones de la Asamblea sección.
5. Vuelva a cubrir el marco.

SERVICIO Y MANTENIMIENTO

Soporte de la tolva

Si la espiral en la parte inferior de la tolva de control direccional no está plenamente la participación en la tolva de montaje, el soporte de la tolva se puede ajustar. Para ello:

1. Aflojar las dos tuercas que aseguran el soporte de la tolva y recolocar ligeramente. Vea la Figura 25.
2. Reapretar las tuercas.

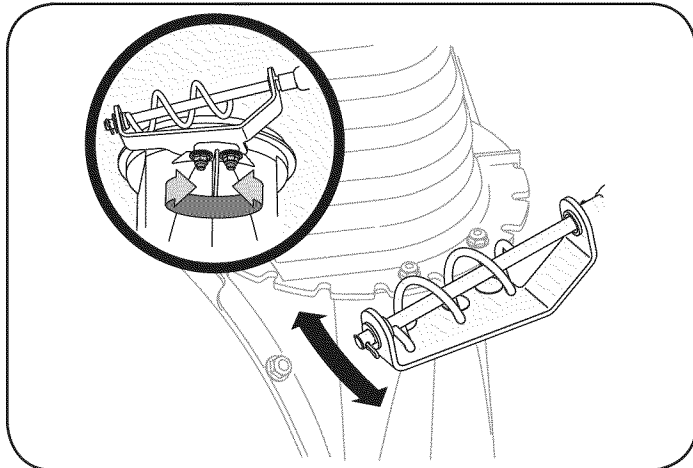


Figura 25

Control de barrena

Consulte la sección a la Asamblea para obtener instrucciones sobre cómo ajustar el cable de control barrena.

Zapatos antideslizantes

Consulte la sección a la Asamblea para obtener instrucciones sobre cómo ajustar el patín zapatos.

CINTURÓN DE SUSTITUCIÓN

Cinturón de eliminación Preparación

1. Corder quitar el pasador que asegura la parte superior de la tolva a la manivela de la tolva inferior manivela. Consulte la Figura 26.

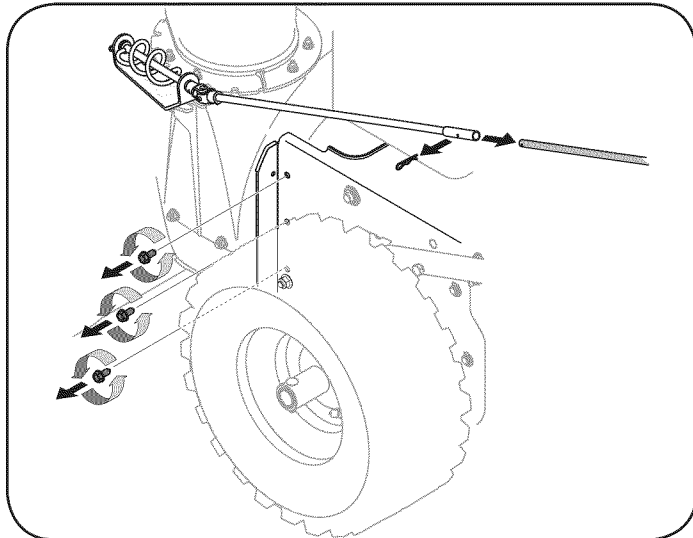


Figura 26

2. Retire la cinta de cubierta de plástico, que se encuentra cerca del motor, sacando los tres tornillos autorroscantes que asegurarlos. Vea la Figura 27.

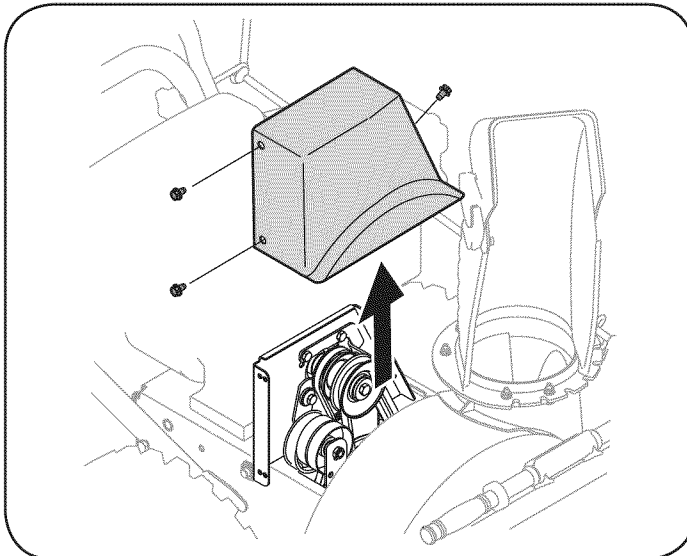


Figura 27

3. Afloje el perno de muestra en la Figura 28 poseedor asegurar el soporte de cinturón y retire el perno de otros. Empuje el soporte de cinturón y hasta poseedor de la polea del motor.

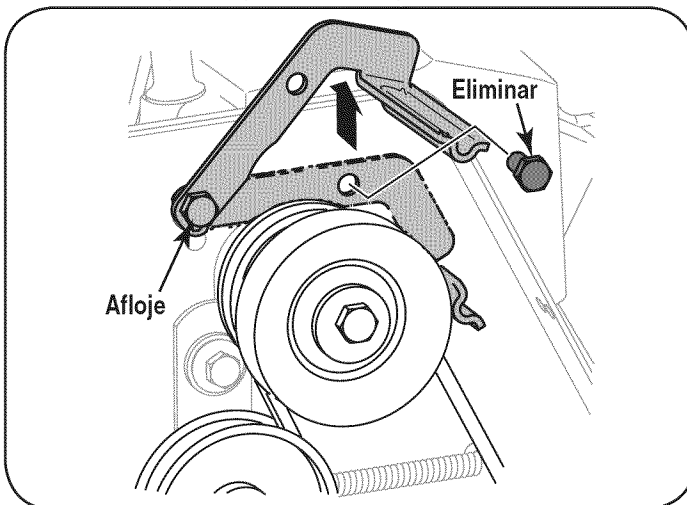


Figura 28

Cinturón sustitución barrena

1. Retire el arco-tie clip y arandela plana de la virola con el fin de desconectar la varilla de barrena de la polea del freno soporte de montaje. Vea la Figura 29.
NOTA: Asegúrese de que la ubicación de la virola de la varilla de barrena polea se mantiene.
2. Inserte la cinta sinfín de control (la primera cinta) fuera de la polea del motor.
3. Tire la palanca del freno hacia el soporte de montaje del cable guía de rodillos y desenganche de la barrena de cable z-montaje. Vea la Figura 30.
4. De ambos lados del marco de la reunión, utilice un 1 / 2 "para quitar la llave hexagonal de toque tres tornillos que fijan el marco de la barrena del ensamblaje. Referirse a la Figura 26.
NOTA: No retire el bloqueo de la brida inferior de la tuerca hexagonal en cada lado.

SERVICIO Y MANTENIMIENTO

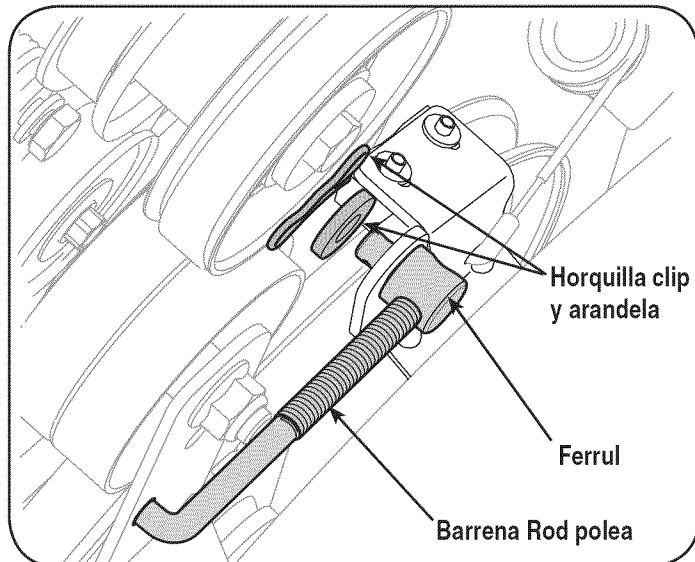


Figura 29

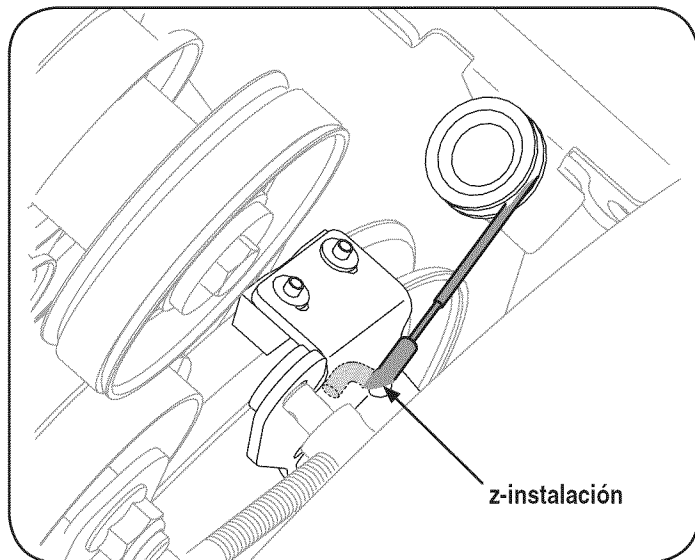


Figura 30

5. Coloque un bloque de madera debajo de la barra de vivienda, como se muestra en la Figura 31 y separado de la vivienda barra marco inclinando el cuerpo hacia adelante y tirando de las asas.
6. Bloquear el impulsor con un pedazo de madera para evitar que el hilado y el uso de una 1 / 2 "para quitar la llave hexagonal de tornillo y arandela plana desde el centro de la polea sobre la barra vivienda. A ver en la fig. 32.
7. Levante el soporte de montaje de freno de la polea ranura (B en la Figura 32) y deslice la polea asamblea fuera de los puestos de la polea del adaptador de barra (C) para eliminar el antiguo cinturón.

NOTA: El adaptador de la polea puede deslizarse fuera de la barra árbol al quitar la polea. Tenga especial precaución para asegurar el adaptador se encuentre y / o obtener dañado al retirar la polea.

8. Coloque la nueva cinta de barra en la V-ranura de la polea barra y el lugar de la polea w / en el interior de la correa del cinturón de mantenimiento.

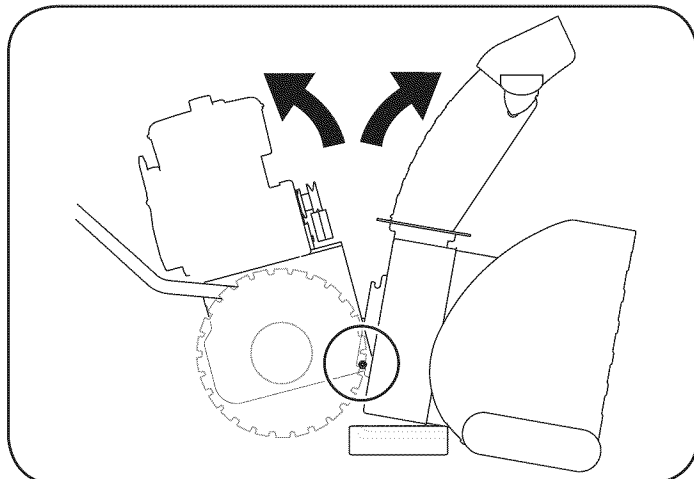


Figura 33

9. Gire a la polea que sea necesario para alinear sus tres ranuras de aproximadamente con los puestos de la polea del adaptador y, a continuación, mueva el soporte de freno de montaje fuera del eje de entrada. Si bien la alineación de la polea las franjas horarias y adaptador de puestos, empuje la barra polea plenamente en el adaptador. Consulte la Figura 32.

NOTA: Si el adaptador de la polea se eliminó con la polea, se suman los splines adaptador de la polea del eje de entrada y barra, y empuje de la polea y el adaptador en el árbol. Consulte

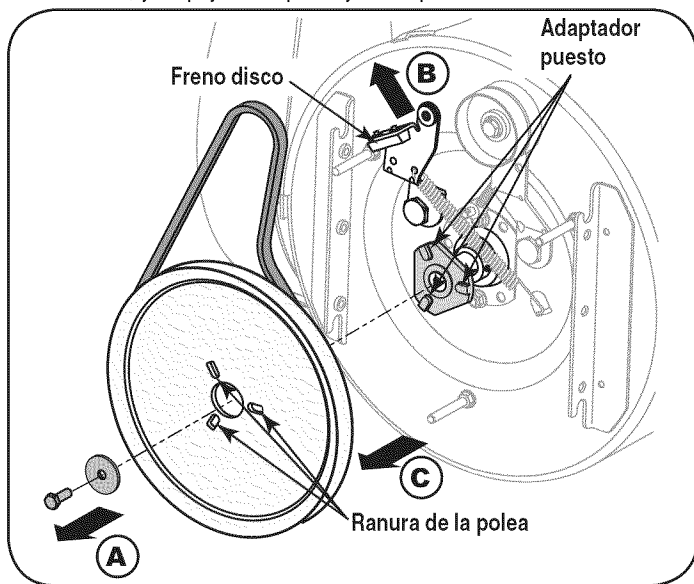


Figura 32

la Fig. 32.

10. Deslice la arandela de la tuerca hexagonal en el tornillo retirado anteriormente y aplicar Loctite 262 a las roscas de los tornillos hexagonales.
11. Inserte el tornillo hexagonal de la polea a través de asamblea y de los hilos en el árbol. Par el tornillo hexagonal de 250-325 libras pulg. para garantizar la barra de montaje en la polea del eje de entrada.
12. Si también la sustitución de la correa de transmisión, proceder a la "Correa" instrucciones. Si no es así, la posición del marco de la transmisión posterior a la barra vivienda. Instale la unidad sobre la cinta de la polea del motor, vuelva a conectar el cable

SERVICIO Y MANTENIMIENTO

de barrena z montaje y barrena polea vara virola al freno soporte. Reposición y asegurar la cinta de la polea del motor de guardia, y volver a instalar el cinturón.

NOTA: Asegúrese de quitar la pieza de madera bloqueando el impulsor.

Compruebe el ajuste de la correa de transmisión barrena. Con la barrena en la palanca de embrague desembragado posición, la superficie superior de la nueva cinta debe ser incluso con el diámetro exterior de la polea.

Para ajustar, desconecte virola del soporte de montaje del freno. Virola en hilo (hacia la polea) para aumentar la tensión en la correa, o para disminuir la tensión de la correa.

NOTA: El freno de disco debe estar firmemente asentado en la ranura de la polea barrena cuando el control es desembragado.

IMPORTANTE: Repita el "Pierre Auger Drive Control Test" de la Asamblea antes de poner en funcionamiento la sección de nieve lanzador.

Correa de sustitución

Si no lo ha hecho, retire la barrena la correa de transmisión desde la parte frontal de la polea del motor de doble polea. Consulte "Sustitución de cinturón Pierre Auger" instrucciones en el anterior apartado.

1. a. Tire de la polea polea lejos de la parte trasera de la unidad cinturón para aliviar la tensión. Vea la Figura 33.
b. Inserte la unidad de la cinta de la polea polea. Cuidadosamente la liberación polea polea.
2. El rollo de la correa de transmisión de la polea inferior.
3. Quitar la correa de la polea del motor.
4. Instale la nueva correa en las poleas en el orden inverso y volver a la tensión con la polea polea.
5. Vuelva a realizar por los pasos anteriores en el orden y la forma

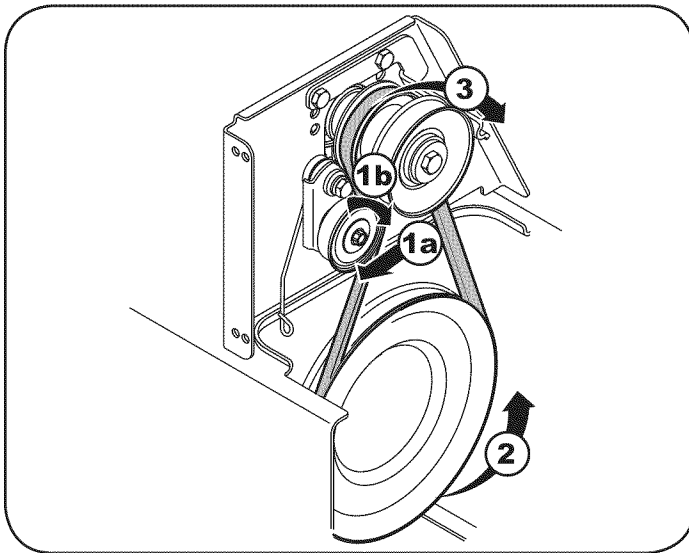


Figura 33

de eliminación.

CAMBIO DE RUEDAS DE FRICCIÓN

El caucho en la rueda de fricción está sujeto a desgaste y debe verificarse periódicamente. Sustituir la rueda de fricción, si todos los signos de desgaste o grietas se encuentran.

1. Ejecutar la unidad del depósito de combustible en seco antes de

realizar el paso 2. No intente de combustible para el motor.

2. Sugerencia lanzador de la nieve arriba y hacia delante, de manera que se basa en la vivienda.
3. Quitar los tornillos de la estructura por debajo de la cubierta de nieve lanzador (consulte la Figura 34). Retire la rueda derecha

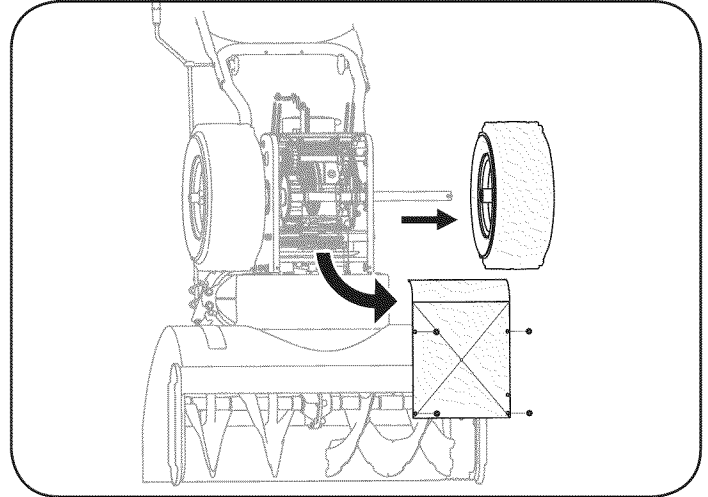


Figura 34

del eje.

4. El uso de un 3 / 4 "Llave, mantenga el eje hexagonal y extraiga el tornillo hexagonal y arandela Belleville y teniendo de lado

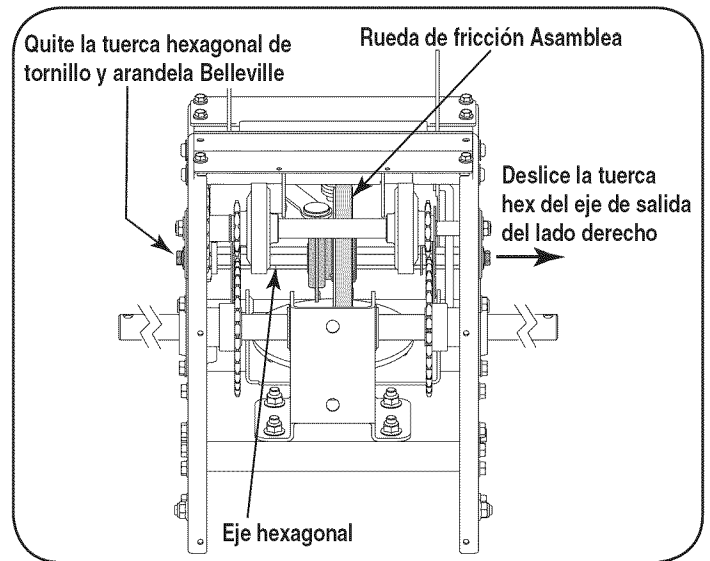


Figura 35

izquierdo del marco. Consulte la Figura 35.

5. La celebración de la rueda de fricción de montaje, deslice el eje hexagonal de la fricción de la rueda de reunión y de la parte derecha de la imagen. El separador en el lado izquierdo del eje hexagonal y se reducirá la rueda debe seguir colgando perder en la cadena.
6. Levante el montaje de ruedas de fricción entre el eje hueco y el eje de accionamiento asambleas.

SERVICIO Y MANTENIMIENTO

7. Retire cuatro tornillos que fijan la rueda de fricción para el eje de montaje (consulte la Figura 36). Desechar las viejas ruedas de fricción.

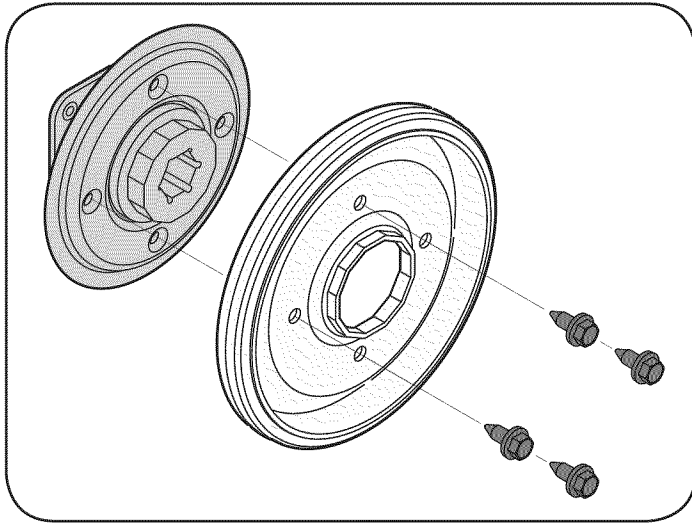


Figura 36

8. Vuelva a la nueva rueda de fricción en el centro de reunión, el endurecimiento de los cuatro tornillos en la rotación y con la misma fuerza. Es importante reunir la rueda de fricción para el buen funcionamiento simétricamente.
9. Reposicionar el montaje de la rueda de fricción en la nieve lanzador marco. Inserte el pasador del selector de velocidad de brazo de montaje en la rueda de fricción de reunión y de mantener en la posición de montaje. Consulte la Figura 37.

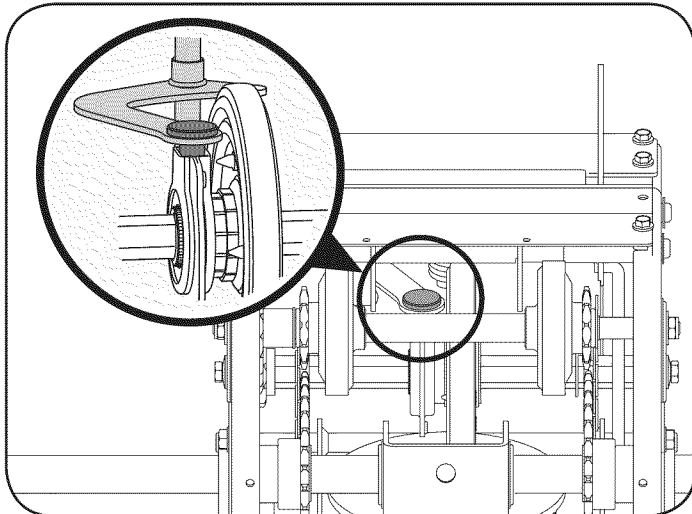


Figura 37

10. Deslice el eje hexagonal a través de la parte derecha de la imagen hacia el lado izquierdo y por el montaje de ruedas de fricción.
11. Después de hacer la certeza de que la cadena está en los grandes y los pequeños rueda, ajustar el eje hexagonal hexagonal con el eje de la rueda pequeña, y deslice el eje a través de la rueda.

NOTA: Si la rueda cayó del lanzador de la nieve mientras se quita el eje hexagonal, el lugar de la rueda de la cadena. Reajustar la rueda de la cadena hexadecimal con el centro a la derecha de la unidad. Coloque el eje hexagonal de la rueda hacia la fricción de deslizamiento de la rueda cuando se rueda en el eje hexagonal.

12. Deslice el espaciador sobre el final del eje hexagonal.
13. Alinee el rodamiento en el extremo derecho del eje hexagonal con el agujero en la parte derecha de la imagen y, a continuación, pulse el eje hexagonal hacia la izquierda en la posición en el marco.
14. Deslice la presión en el extremo izquierdo del eje hexagonal y pulse en el agujero en el lado izquierdo del marco.
15. Coloque la arandela Belleville (lado redondeado hacia la cabeza) en el tornillo hexagonal eliminado con anterioridad, e insertar el tornillo en el agujero roscado del eje hexagonal.
16. Poco a poco apriete el tornillo hexagonal plenamente asiento de los rodamientos en cada lado del marco y para asegurar el eje hexagonal.
17. Coloque el marco de cubrir en la parte inferior del marco y asegure con los tornillos autorroscantes. Pivote lanzador de la nieve a fin de cuentas posición normal de funcionamiento.

ALMACENAMIENTO FUERA DE TEMPORADA

Si no se va a utilizar el equipo durante 30 días o más, o si es el final de la temporada de nieve y ya no existe posibilidad de que nieve, es necesario almacenar el equipo de manera adecuada. Siga las instrucciones de almacenamiento que se indican a continuación para garantizar el rendimiento máximo de la máquina quitanieve durante muchos años .

PREPARACIÓN DEL MOTOR

Los motores que se almacenan durante más de 30 días necesitan ser drenados de combustible para evitar que se deterioren y se forme goma en el sistema de combustible o en las piezas principales del carburador. Si la gasolina de su motor se deteriora durante el almacenamiento, es posible que deba reparar o reemplazar el carburador y otros componentes del sistema de combustible.

1. Elimine todo el combustible del tanque haciendo funcionar el motor hasta que se detenga. No intente de combustible para el motor.
 2. Cambie el aceite del motor.
 3. Extraiga la bujía de encendido y vierta en el cilindro aproximadamente 1 onza (30 ml) de aceite para motor limpio. Tire varias veces del arrancador de retroceso para distribuir el aceite y reinstale la bujía.
 4. Limpie los residuos de alrededor del motor, y debajo, alrededor, y detrás del silenciador. Aplique una capa delgada de aceite en todas las áreas que pueden llegar a oxidarse.
- Almacene en un sector limpio, seco y bien ventilado, lejos de cualquier artefacto que funcione con una llama o luz piloto como un horno, calentador de agua o secador de ropa. Evite cualquier sector con un motor eléctrico que produzca chispas o donde se utilicen herramientas eléctricas.

ADVERTENCIA

Nunca almacene la máquina quitanieve con combustible en el tanque en un espacio cerrado o en áreas con poca ventilación, donde los gases del combustible puedan alcanzar el fuego, chispas o una luz piloto como la que tienen algunos hornos, calentadores de agua, secadores de ropa o algún otro dispositivo a gas.

- Si es posible, evite sectores de almacenamiento con mucha humedad.
- Mantenga el motor nivelado en el almacén. La inclinación del motor puede causar pérdidas de combustible o aceite.

PREPARACIÓN DE LA MÁQUINA QUITANIEVE

1. Cuando almacene la máquina quitanieve en un galpón de depósito metálico o con poca ventilación, tenga especial cuidado de realizarle un tratamiento anti-oxidante al equipo. Use aceite ligero o silicón para recubrir el equipo, especialmente las cadenas, los resortes, los cojinetes y los cables.
2. Elimine todo el polvo del exterior del motor y del equipo.
3. Siga las recomendaciones de lubricación en la sección de mantenimiento de este manual.
4. Almacene el equipo en un área despejada y seca.
5. Inflar los neumáticos a la presión de psi máxima. Consulte el costado del neumático.

SOLUCIÓN DE PROBLEMAS

Problema	Causa	Remedio
El motor no arranca	<ol style="list-style-type: none"> 1. La palanca de obturación no está en la posición ON (encendido) 2. Se ha desconectado el cable de la bujía 3. La bujía no funciona correctamente 4. El tanque de combustible está vacío o el combustible es viejo 5. El motor no está cebado 6. La llave no se encuentra en el encendido del motor 7. Cable de extensión no conectado (cuando se usa el botón de arranque eléctrico, en los modelos equipados). 	<ol style="list-style-type: none"> 1. Ponga el interruptor en la posición CHOKE (obturación). 2. Conecte el cable a la bujía. 3. Limpie, ajuste la distancia disruptiva o cambie. 4. Llene el tanque con gasolina limpia y fresca. 5. Ceba el motor tal y como se indica en la sección de operación. 6. Inserte la llave totalmente dentro del interruptor. 7. Conecte un extremo del cable de extensión a la salida de arranque eléctrico y el otro extremo a un triple de 120-voltios, de tierra, toma de CA.
El motor funciona de manera errática	<ol style="list-style-type: none"> 1. La unidad está funcionando en la posición CHOKE (obturación) 2. El combustible es viejo 3. Agua o suciedad en el sistema del combustible 4. Más gobernados motor 	<ol style="list-style-type: none"> 1. Cambie la palanca de obturación a la posición OFF (apagado). 2. Llene el tanque con gasolina limpia y fresca. 3. Drenar el tanque de combustible en el motor en marcha hasta que se detenga. Vuelva a llenarlo con combustible limpio. 4. Contacte con su centro de partes y reparaciones Sears.

¿NECESITA MÁS AYUDA?

Encontrará la respuesta y más en managemylife.com - ¡sin cargo!

En línea podrá encontrar este manual y los manuales de todos los otros productos que posea.

Sus preguntas serán respondidas por nuestro equipo de especialistas.

Obtenga un plan de mantenimiento personalizado para su hogar.

Encuentre información y herramientas que lo ayudarán con los proyectos de su hogar.



SOLUCIÓN DE PROBLEMAS

Problema	Causa	Remedio
Demasiada vibración	1. Hay piezas que están flojas o la barrena está dañada	1. Detenga el motor de inmediato y desconecte el cable de la bujía. Ajuste todos los pernos y las tuercas. Si la vibración continúa, lleve la unidad a reparar a un centro de partes y reparación Sears.
Pérdida de potencia	1. El cable de la bujía está flojo 2. El orificio de ventilación del tapón de llenado del combustible está obstruido	1. Conecte y ajuste el cable de la bujía. 2. Retire el hielo y la nieve del tapón de llenado del combustible. Compruebe que el orificio de ventilación no esté obstruido.
La unidad no se autopropulsa	1. El cable del control de transmisión necesita un ajuste 2. La correa de transmisión está floja o dañada 3. Rueda de fricción llevada puesta.	1. Ajuste el cable del control de transmisión. Consulte la sección de Servicio y Mantenimiento. 2. Reemplace la correa de la transmisión. Consulte la sección de Servicio y Mantenimiento. 3. Ha reemplazado la rueda de fricción de piezas en un Centro de Servicio Sears.
La unidad no descarga la nieve	1. El montaje del canal está tapado 2. Hay un objeto extraño en la barrena 3. El cable del control de la barrena necesita un ajuste 4. La correa de la barrena está floja o dañada 5. El/los pasador/es de cuchilla están cortados	1. Detenga el motor de inmediato y desconecte el cable de la bujía. Limpie el montaje del canal y el interior de la caja de la barrena con la herramienta de limpieza o una varilla. 2. Detenga el motor de inmediato y desconecte el cable de la bujía. Retire el objeto de la barrena con la herramienta de limpieza o una varilla. 3. Ajuste el cable del control de la barrena. Consulte la sección de montaje. 4. Reemplace la correa de la barrena. Consulte la sección de Servicio y Mantenimiento. 5. Reemplace con nuevo(s) pasador(es) de cuchilla.
Chute no girar 180 grados	1. Chute montados incorrectamente.	1. Unasemble tolva de control y volver a como se indica en la Asamblea sección.

¿NECESITA MÁS AYUDA?

Encontrará la respuesta y más en managemylife.com - ¡sin cargo!

En línea podrá encontrar este manual y los manuales de todos los otros productos que posea.

Sus preguntas serán respondidas por nuestro equipo de especialistas.

Obtenga un plan de mantenimiento personalizado para su hogar.

Encuentre información y herramientas que lo ayudarán con los proyectos de su hogar.



NOTES

**MTD CONSUMER GROUP, INC. (MTD), el Bordo de Recursos de Aire de California (CARB)
y la Agencia de Protección Medioambiental de Estados Unidos (U. S. EPA)**

Declaración de Garantía del Sistema de Control de Emisiones

(Derechos y obligaciones del propietario según la garantía contra defectos)

LA COBERTURA DE SISTEMA DE CONTROL DE EMISIÓN ES APLICABLE A MOTORES CERTIFICADOS COMPRADOS EN CALIFORNIA EN 2005 Y A PARTIR DE ENTONCES, QUE SON USADOS EN CALIFORNIA, Y HASTA AÑO 2005 DE MODELO CERTIFICADO Y MOTORES POSTERIORES QUE SON COMPRADOS Y USADOS EN OTRA PARTE EN LOS ESTADOS UNIDOS.

California y en otra parte en la Cobertura de Garantía de Defectos de Control de Emisión de los Estados Unidos

El Bordo de Recursos de Aire de California (CARB), la U. S. EPA y MTD se complacen en explicar la garantía del sistema de control de emisiones de su motor para equipo todo terreno, modelo, año 2005 y versiones posteriores. En California, los nuevos motores pequeños para equipo todo terreno se deben diseñar, fabricar y equipar para cumplir con estándares de antiniebla tóxica de estados. En otra parte en los Estados Unidos, el nuevo no camino, motores de ignición de chispa certificados para el modelo 2005 y más tarde, debe encontrar el juego de estándares similar adelante por los Estados Unidos. EPA. MTD debe garantizar el sistema de control de emisiones de su motor por el período de tiempo indicado más abajo, siempre y cuando no haya existido uso incorrecto, negligencia ni mantenimiento inadecuado de su motor pequeño para equipo todo terreno.

El sistema de control de emisiones puede incluir piezas como, por ejemplo, el carburador, sistema de inyección de combustible, el sistema de encendido, el catalizador, los depósitos de combustible, abastece de combustible líneas, gorras de combustible, válvulas, latas, filtros, mangueras de vapor, abrazaderas, conectores y otros componentes relacionados con las emisiones.

Donde exista una condición cubierta por la garantía, MTD reparará su motor pequeño para equipo todo terreno sin costo alguno incluyendo el diagnóstico, las piezas y la mano de obra.

COBERTURA DE LA GARANTÍA DEL FABRICANTE:

Este sistema de control de emisiones se garantiza por el término de dos años. Si alguna pieza de su motor relacionada con las emisiones es defectuosa, MTD reparará o sustituirá dicha pieza.

RESPONSABILIDADES DEL PROPIETARIO SEGÚN LA GARANTÍA:

Como propietario de un motor pequeño de equipo todo terreno, usted es responsable de realizar el mantenimiento necesario que figura en el manual del propietario. MTD le recomienda que conserve todos los recibos que cubren los servicios de mantenimiento del motor pequeño para equipo todo terreno, no obstante lo cual MTD no podrá denegar el cumplimiento de la garantía únicamente por la falta de recibos o por su imposibilidad de asegurar que se realizarán todos los servicios de mantenimiento programado.

Como propietario del motor pequeño para equipo todo terreno, sin embargo, usted también debe saber que MTD puede denegar la cobertura de la garantía si su motor pequeño para equipo todo terreno o una pieza del mismo fallan debido a uso incorrecto, negligencia, mantenimiento indebido o a modificaciones no aprobadas.

Usted es responsable de presentar la cortadora de césped al centro de distribución o de mantenimiento de MTD CONSUMER GROUP, INC. tan pronto como apareciera el problema. Las reparaciones cubiertas por la garantía se deben llevar a cabo en un lapso razonable que no exceda de 30 días. Si desea realizar alguna consulta con respecto a la cobertura de la garantía, debe ponerse en contacto con su distribuidor local de MTD. Para comunicarse con la Línea de Asistencia al Cliente de Distribuidores de MTD, llame al número (877) 282-8684.

REQUERIMIENTOS DE GARANTÍA SOBRE DEFECTOS PARA MOTORES PEQUEÑOS DE EQUIPO TODO TERRENO DE 1995 Y VERSIONES POSTERIORES:

Esta sección se aplica a motores pequeños de equipo todo terreno de 1995 y versiones posteriores. El período de garantía comienza a partir de la fecha en que el motor o el equipo se entregan al comprador final.

(a) Cobertura de la garantía contra emisiones generales

MTD garantiza al comprador final y a cada comprador subsiguiente que el motor:

- (1) ha sido diseñado, construido y equipado de manera que cumpla con todas las regulaciones vigentes adoptadas por el Departamento de los Recursos de Aire en virtud a su autoridad conferida en los capítulos 1 y 2, Parte 5, División 26 del Código de Salud y Seguridad; y
- (2) está libre de defectos en los materiales y en la mano de obra que causen la falla de una pieza bajo garantía que sea idéntica en todos los aspectos materiales a la pieza como aparece descrita en la aplicación del fabricante del motor para certificación por un período de dos años.

(b) La garantía sobre piezas relacionadas con emisiones se interpretará de la siguiente manera:

(1) Cualquier pieza cubierta por garantía que no esté programada para su reemplazo según el mantenimiento requerido en las instrucciones escritas de la Subsección (c) debe estar garantizada por un período de garantía definido en la Subsección (a) (2). Si la pieza falla durante el período de cobertura de la garantía, la misma será reparada o reemplazada por MTD de acuerdo con la Subsección (4) a continuación. Cualquier pieza reparada o reemplazada según la garantía se garantizará por el resto del período de garantía.

(2) Cualquier pieza cubierta por garantía que esté programada solo para inspección regular en las instrucciones escritas de la Subsección (c) debe estar garantizada por un período de garantía definido en la Subsección (a) (2). Una declaración en dichas instrucciones por escrito al efecto de "reparación o reemplazo según sea necesario" no reducirá el período de cobertura de la garantía. Cualquier pieza reparada o reemplazada según la garantía se garantizará por el resto del período de garantía.

(3) Cualquier pieza garantizada que esté programada para reemplazo según el mantenimiento requerido de conformidad con las instrucciones escritas de la Subsección (c) se garantiza por el período de tiempo anterior a la primera fecha de reemplazo programada para esa pieza. Si la pieza falla antes del primer reemplazo programado, la misma será reparada o reemplazada por MTD de acuerdo con la Subsección (4) a continuación. Cualquier pieza reparada o reemplazada bajo garantía se garantizará por el resto del período anterior al primer reemplazo programado puntual para esa pieza.

(4) La reparación o el reemplazo de cualquier pieza garantizada de conformidad con las disposiciones de la garantía que aquí se estipula se debe realizar en un centro de garantía sin costo alguno para el propietario.

(5) Sin perjuicio de las disposiciones de la Subsección (4) anterior, los servicios o reparaciones cubiertos por la garantía deben ser suministrados por todos los centros de distribución de MTD que tengan la franquicia para realizar reparaciones y mantenimiento a los motores en cuestión.

(6) El propietario no debe afrontar ningún cargo para trabajos de diagnóstico que lleven a la conclusión de que una pieza bajo garantía presenta efectivamente defectos, siempre y cuando dicho diagnóstico sea llevado a cabo en un centro cubierto por la garantía.

(7) El fabricante del motor es responsable por daños causados a otros componentes de motores derivados de la falla bajo garantía de cualquier pieza garantizada.

(8) Durante todo el período de garantía del motor definido en la Subsección (a) (2), MTD mantendrá un suministro de piezas cubiertas por garantía suficiente para satisfacer la demanda esperada para tales piezas.

(9) Cualquier pieza de reemplazo se podrá usar para el cumplimiento del mantenimiento o reparaciones bajo garantía, y se suministrará sin cargo al propietario. Dicho uso no reducirá las obligaciones de garantía de MTD.

(10) No se podrán usar piezas adicionales ni modificadas que no estén exentas de acuerdo con el Departamento de los Recursos del Aire (Air Resources Board). El uso de piezas adicionales o modificadas no exentas será causa suficiente para anular un reclamo bajo garantía realizado de acuerdo con este artículo. El fabricante del motor no tendrá responsabilidad, en conformidad con este artículo, de garantizar fallas de piezas garantizadas que fueren causadas por el uso de una pieza no exenta adicional o modificada.

(c) MTD incluirá una copia de la siguiente lista de piezas bajo garantía contra emisiones con cada nuevo motor, utilizando las partes de la lista aplicables al motor.

- (1) Sistema de medición de combustible
 - Sistema de mejora para inicio en frío (cebado suave)
 - Carburador y componentes internos
 - Bomba de combustible
 - Depósito de combustible
- (2) Sistema de inducción de aire
 - Filtro de aire
 - Colector de entrada
- (3) Sistema de encendido
 - Bujía(s)
 - Sistema de encendido por magneto
- (4) Sistema de escape
 - Catalizador
 - SAI (válvula de Caña)
- (5) Componentes varios utilizados en el sistema anterior
 - Válvulas e interruptores de vacío, temperatura, posición sensibles al tiempo
 - Conectores y montajes
- (6) Control de Evaporative
 - Manguera de Combustible certificada para ARB evaporative emisión de 2006.
 - Abrazaderas de Manguera de Combustible
 - Gorra de combustible atada
 - Lata de carbón
 - Líneas de vapor

Busque el período de duración de emisiones importantes y la información de clasificación de aire en la etiqueta de emisiones de su motor

Los motores cuyo cumplimiento con los estándares de emisión Tier 2 de la Comisión de Recursos Ambientales de California (CARB) esté certificado deben exhibir la información relacionada con el período de duración de las emisiones y la clasificación de aire. Sears Brands Management Corporation ponen esta información a disposición del consumidor en nuestras etiquetas de emisiones.

El Período de Duración de las Emisiones describe el número de horas de tiempo real de funcionamiento para el cual se certifica que el motor cumple con las reglas de emisión, descontando el mantenimiento adecuado del mismo según las instrucciones de operación y mantenimiento. Se utilizan las siguientes categorías:

Moderado: Se certifica que el motor cumple con las reglas de emisión durante 125 horas de tiempo real de funcionamiento del motor.

Inmediato: Se certifica que el motor cumple con las reglas de emisión durante 250 horas de tiempo real de funcionamiento del motor.

Extendido: Se certifica que el motor cumple con las reglas de emisión durante 500 horas de tiempo real de funcionamiento del motor.

Por ejemplo, una cortadora de césped típica que se empuja desde atrás se usa entre 20 y 25 horas por año. Por lo tanto, el **Período de Duración de Emisiones** de un motor con una **clasificación intermedia** sería equivalente a entre 10 y 12 años.

La **clasificación de aire** es un número calculado para describir el nivel relativo de emisiones para un grupo de motores en particular. Cuanto menor sea la **clasificación de aire**, mayor es la limpieza del motor. La información se presenta de forma gráfica en la etiqueta de emisiones.

Después del 1 de julio de 2000, busque el período de cumplimiento de las reglas de emisiones en la etiqueta de cumplimiento de las reglas de emisiones del motor

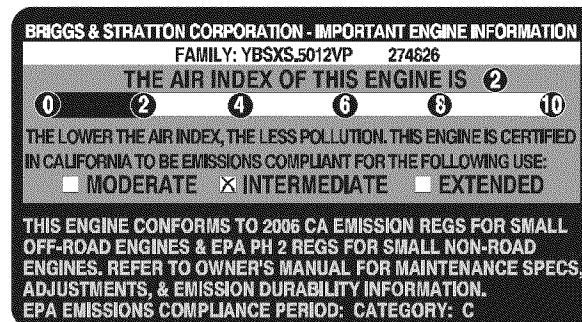
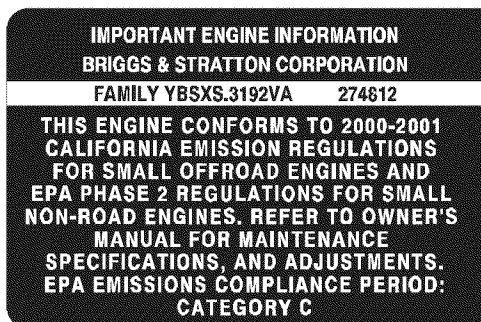
Después del 1 de julio de 2000 se certificará que determinados motores Sears Brands Management Corporation cumplen con los estándares de emisiones de la fase 2 de la Agencia de Protección Ambiental de los Estados Unidos (USEPA). Para los motores certificados para la etapa 2, el período de cumplimiento con las reglas de emisiones al cual se hace referencia en la etiqueta de cumplimiento con las reglas de emisiones indica el número de horas de funcionamiento para el cual se ha demostrado que el motor cumple con los requerimientos federales de emisión.

Para los motores con desplazamiento inferior a 225 cc, Categoría C = 125 horas, B = 250 horas y A = 500 horas.

Para los motores con desplazamiento de 225 cc o más, Categoría C = 250 horas, B = 500 horas y A = 1000 horas.

El desplazamiento de los motores de la serie modelo 150112 es 249 cc.

La presente es una representación genérica de la etiqueta de emisión que se encuentra generalmente en un motor certificado.



ACUERDO DE PROTECCIÓN PARA REPARACIONES

Felicitaciones por haber realizado una adquisición inteligente. El producto Craftsman® que ha adquirido está diseñado y fabricado para brindar muchos años de funcionamiento confiable. Pero como todos los productos a veces puede requerir de reparaciones. Es en ese momento cuando el disponer de un Acuerdo de protección para reparaciones le puede ahorrar dinero y problemas.

A continuación se detallan los puntos incluidos en el Acuerdo:

- ☑ **Servicio experto** prestado por nuestros 10,000 especialistas en reparaciones profesionales
- ☑ **Servicio ilimitado sin cargo** para las piezas y la mano de obra en todas las reparaciones cubiertas
- ☑ **Reemplazo del producto** hasta 1500 dólares si no es posible reparar el producto cubierto
- ☑ **Descuento de 25%** del precio normal del servicio y de las piezas relacionadas con el mismo que no estén cubiertas por el acuerdo; además, 25% del precio normal de la verificación de mantenimiento preventivo
- ☑ **Ayuda rápida por teléfono** - lo llamamos Resolución Rápida – el apoyo telefónico de un Chamusca al representante. Piense en nosotros como el manual “de un dueño hablador.”

Una vez adquirido el Acuerdo, puede programar el servicio con tan sólo realizar una llamada telefónica. Puede llamar en cualquier momento del día o de la noche o programar un servicio en línea.

El Acuerdo de Protección de Reparación es una compra sin riesgo. Si usted anula por alguna razón durante el período de garantía de producto, proporcionaremos un reembolso lleno. O, un reembolso prorrateado en cualquier momento después del período de garantía de producto expira. ¡Adquiera hoy su acuerdo de protección para reparaciones!

Se aplican determinadas limitaciones y exclusiones. Para obtener información adicional y precios en los Estados Unidos llame al 1-800-827-6655.

El *Coverage en Canadá varía en algunos artículos. Para detalles llenos la llamada Chamusca Canadá en 1-800-361-6665.

Servicio de instalación de Sears

Si desea solicitar la instalación profesional de Sears de aparatos domésticos, dispositivos para abrir portones, calentadores de agua y otros artículos domésticos importantes, en los Estados Unidos o Canadá llame al **1-800-4-MY-HOME®**.

Get it fixed, at your home or ours!

Your Home

For troubleshooting, product manuals and expert advice:



www.managemylife.com

For repair – **in your home** – of **all** major brand appliances, lawn and garden equipment, or heating and cooling systems, **no matter who made it, no matter who sold it!**

For the replacement parts, accessories and owner's manuals that you need to do-it-yourself.

For Sears professional installation of home appliances and items like garage door openers and water heaters.

1-800-4-MY-HOME[®] (1-800-469-4663)

Call anytime, day or night (U.S.A. and Canada)

www.sears.com www.sears.ca

Our Home

For repair of carry-in items like vacuums, lawn equipment, and electronics, call anytime for the location of your nearest

Sears Parts & Repair Service Center

1-800-488-1222 (U.S.A.)

www.sears.com

1-800-469-4663 (Canada)

www.sears.ca

To purchase a protection agreement on a product serviced by Sears:

1-800-827-6655 (U.S.A.)

1-800-361-6665 (Canada)

Para pedir servicio de reparación a domicilio, y para ordenar piezas:

1-888-SU-HOGAR[®]

(1-888-784-6427)

www.sears.com

Au Canada pour service en français:

1-800-LE-FOYER^{MC}

(1-800-533-6937)

www.sears.ca

sears

® Registered Trademark / TM Trademark of KCD IP, LLC in the United States, or Sears Brands, LLC in other countries

® Marca Registrada / TM Marca de Fábrica de KCD IP, LLC en Estados Unidos, o Sears Brands, LLC in otros países

^{MC} Marque de commerce / ^{MD} Marque déposée de Sears Brands, LLC