

KitchenAid®

BUILT-IN ELECTRIC OVENS

Use & Care Guide

For questions about features, operation/performance, parts accessories or service, call: **1-800-422-1230**

In Canada, for assistance, installation and service, call: **1-800-807-6777** or visit our website at...

www.kitchenaid.com or www.kitchenaid.ca

FOURS ÉLECTRIQUES ENCASTRÉS

Guide d'utilisation et d'entretien

Au Canada, pour assistance, installation ou service, composer le **1-800-807-6777** ou visiter notre site Web au www.kitchenaid.ca

Table of Contents/Table des matières..... 2



TABLE OF CONTENTS

OVEN SAFETY	3
PARTS AND FEATURES	4
ELECTRONIC OVEN CONTROL	5
Display(s)	5
Start	5
Cancel	5
Clock	5
Tones	6
Fahrenheit and Celsius	6
Tools	6
Kitchen Timer	6
Control Lock	6
Oven Temperature Control	7
Sabbath Mode	7
OVEN USE	8
Aluminum Foil	8
Positioning Racks and Bakeware	8
SatinGlide™ Roll-Out Extension Rack	9
Bakeware	10
Meat Thermometer	10
Oven Vent	10
Baking and Roasting	10
Broiling	11
Convection	12
Convection Bake	12
Convection Roast	13
Convection Broil	14
Proofing Bread	14
Temperature Probe	14
Timed Cooking	15
OVEN CARE	15
High Temp Self-Cleaning Cycle	15
General Cleaning	16
Oven Lights	17
Oven Door	17
TROUBLESHOOTING	18
ASSISTANCE OR SERVICE	19
In the U.S.A.	19
Accessories	19
In Canada	19
WARRANTY	20

TABLE DES MATIÈRES

SÉCURITÉ DU FOUR	22
PIÈCES ET CARACTÉRISTIQUES	23
COMMANDES ÉLECTRONIQUES DU FOUR	24
Affichage(s)	24
Démarrer	24
Cancel (annulation)	24
Horloge	24
Signaux sonores	25
Fahrenheit et Celsius	25
Outils	25
Minuterie de cuisine	25
Verrouillage des commandes	26
Commande de la température du four	26
Mode Sabbath	26
UTILISATION DU FOUR	27
Papier d'aluminium	27
Positionnement des grilles et des ustensiles de cuisson au four	27
Grille déployante SatinGlide™	28
Ustensiles de cuisson au four	29
Thermomètre à viande	29
Évent du four	29
Cuisson au four et rôtissage	29
Cuisson au gril	30
Cuisson par convection	31
Cuisson au four par convection	31
Rôtissage par convection	32
Cuisson au gril par convection	33
Levée du pain	33
Sonde thermométrique	33
Cuisson minutée	34
ENTRETIEN DU FOUR	35
Programme d'autonettoyage à haute température	35
Nettoyage général	36
Lampes du four	37
Porte du four	37
DÉPANNAGE	37
ASSISTANCE OU SERVICE	38
Accessoires	38
Au Canada	39
GARANTIE	39

OVEN SAFETY

Your safety and the safety of others are very important.

We have provided many important safety messages in this manual and on your appliance. Always read and obey all safety messages.



This is the safety alert symbol.

This symbol alerts you to potential hazards that can kill or hurt you and others.

All safety messages will follow the safety alert symbol and either the word “DANGER” or “WARNING.”

These words mean:

⚠ DANGER

You can be killed or seriously injured if you don't immediately follow instructions.

⚠ WARNING

You can be killed or seriously injured if you don't follow instructions.

All safety messages will tell you what the potential hazard is, tell you how to reduce the chance of injury, and tell you what can happen if the instructions are not followed.

IMPORTANT SAFETY INSTRUCTIONS

WARNING: To reduce the risk of fire, electrical shock, injury to persons, or damage when using the oven, follow basic precautions, including the following:

- Proper Installation – Be sure the oven is properly installed and grounded by a qualified technician.
- Never Use the Oven for Warming or Heating the Room.
- Do Not Leave Children Alone – Children should not be left alone or unattended in area where oven is in use. They should never be allowed to sit or stand on any part of the oven.
- Wear Proper Apparel – Loose-fitting or hanging garments should never be worn while using the oven.
- User Servicing – Do not repair or replace any part of the oven unless specifically recommended in the manual. All other servicing should be referred to a qualified technician.
- Storage in Oven – Flammable materials should not be stored in an oven.
- Do Not Use Water on Grease Fires – Smother fire or flame or use dry chemical or foam-type extinguisher.
- Use Only Dry Potholders – Moist or damp potholders on hot surfaces may result in burns from steam. Do not let potholder touch hot heating elements. Do not use a towel or other bulky cloth.
- Use Care When Opening Door – Let hot air or steam escape before removing or replacing food.
- Do Not Heat Unopened Food Containers – Build-up of pressure may cause container to burst and result in injury.

- Keep Oven Vent Ducts Unobstructed.
- Placement of Oven Racks – Always place oven racks in desired location while oven is cool. If rack must be moved while oven is hot, do not let potholder contact hot heating element in oven.
- DO NOT TOUCH HEATING ELEMENTS OR INTERIOR SURFACES OF OVEN – Heating elements may be hot even though they are dark in color. Interior surfaces of an oven become hot enough to cause burns. During and after use, do not touch, or let clothing or other flammable materials contact heating elements or interior surfaces of oven until they have had sufficient time to cool. Other surfaces of the oven may become hot enough to cause burns – among these surfaces are oven vent openings and surfaces near these openings, oven doors, and windows of oven doors.

For self-cleaning ovens:

- Do Not Clean Door Gasket – The door gasket is essential for a good seal. Care should be taken not to rub, damage, or move the gasket.
- Do Not Use Oven Cleaners – No commercial oven cleaner or oven liner protective coating of any kind should be used in or around any part of the oven.
- Clean Only Parts Listed in Manual.
- Before Self-Cleaning the Oven – Remove broiler pan and other utensils.

SAVE THESE INSTRUCTIONS

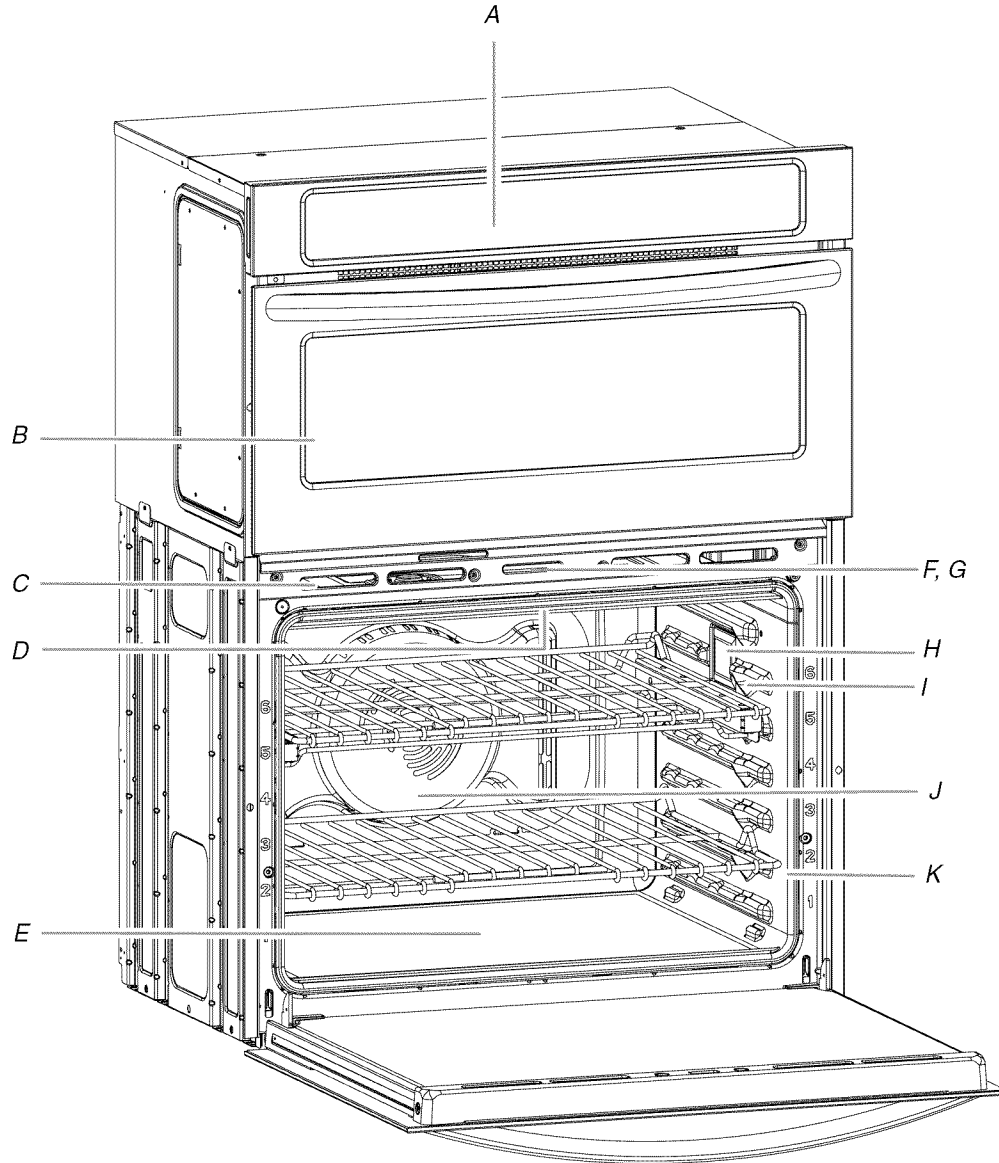
State of California Proposition 65 Warnings:

WARNING: This product contains one or more chemicals known to the State of California to cause cancer.

WARNING: This product contains one or more chemicals known to the State of California to cause birth defects or other reproductive harm.

PARTS AND FEATURES

This manual covers different models. The oven you have purchased may have some or all of the items listed. The locations and appearances of the features shown here may not match those of your model.



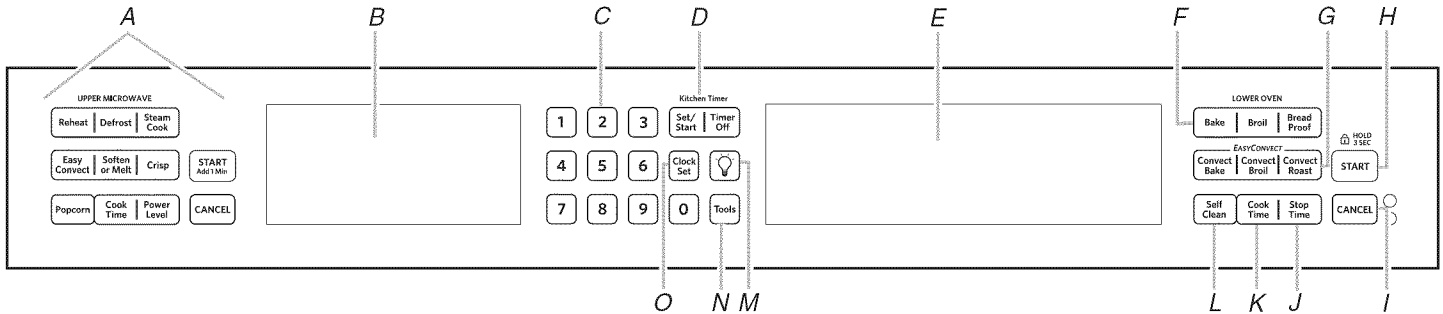
- A. Electronic oven control
- B. Upper microwave oven
(combination oven models only)
- C. Oven vent
- D. Broil elements (not shown)
- E. CleanBake™ bake element
(hidden beneath floor panel)
- F. Automatic oven light switch

- G. Oven door lock latch
- H. Oven lights
- I. Temperature probe jack
- J. Convection element and fan
(in back panel)
- K. Gasket

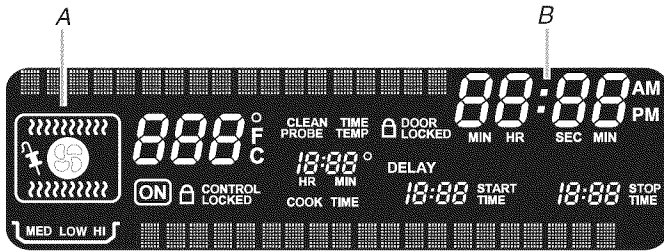
- Parts and Features not shown**
- Third oven rack (roll-out rack)
 - Roasting rack
 - Temperature probe
 - Model and serial number plate

ELECTRONIC OVEN CONTROL

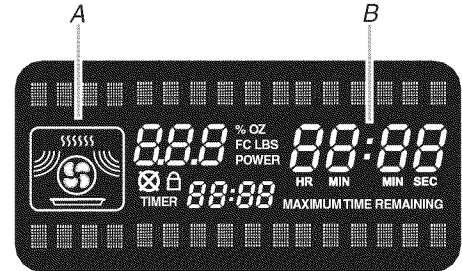
This manual covers different models. The oven you have purchased may have some or all of the items listed. The locations and appearances of the items shown here may not match those of your model.



- A. Microwave controls (see separate Use and Care Guide)
- B. Upper microwave oven display
- C. Number keys
- D. Kitchen timer
- E. Lower oven display
- F. Oven settings
- G. Convection cooking settings
- H. Start/control lock
- I. Cancel
- J. Stop time
- K. Cook time
- L. Self-clean
- M. Oven light
- N. Tools
- O. Clock set



Lower Oven Display (combination oven models)
 A. Oven cavity symbol
 B. Time of day, timer display



Upper Microwave Oven Display (combination oven models)
 A. Microwave oven cavity symbol
 B. Timer display

Display(s)

When power is first supplied to the oven, the timer display will flash "12:00," and "Clock-Enter Time" will appear on the display. Enter the time by pressing the number keypads, then press either CLOCK SET or START to allow operation. To allow operation without setting a time, touch CLOCK SET, START or CANCEL.

Lower Oven Display (combination oven models)

When the lower oven is in use, this display shows the oven temperature, heat source(s) and start time. In addition, during Timed Cooking, this display shows a time countdown and the stop time (if entered).

If "Err" appears on the lower oven display, an error condition has occurred. To call for service, see the "Assistance or Service" section.

Time of Day, Timer Display

When the lower oven is not in use, this display shows the time of day or time countdown.

Upper Microwave Oven Display (combination oven models)

When the upper microwave oven is in use, this display shows the upper oven heat source(s), cooking power, quantities, weights and/or help prompts and time countdown.

If "Err" appears on the upper microwave display, an error condition has occurred. To call for service, see the "Assistance or Service" section.

When the upper microwave oven is not in use, this display is blank.

Start

START key begins all oven functions except Sabbath Mode. If the Start key is not touched within 5 seconds after touching another key, "START?" will appear on the lower oven display as a reminder. Depending on your model, if the Start key is not touched within 5 minutes after touching another key, the lower oven display will return to inactive mode and the programmed function will be canceled.

Cancel

The lower oven CANCEL key stops oven functions except for the Clock, Kitchen Timer and Control Lock. The oven cooling fan(s) may continue to operate even after an oven function has been canceled or completed, depending on the oven temperature.

Clock

This is a 12-hour clock. Before setting, make sure the oven(s), Kitchen Timer and Timed Cooking are off.

To Set:

1. Touch CLOCK SET.
2. Touch the number keys to set the time of day.
3. Touch CLOCK SET again, or touch START.

Tones

Tones are audible signals, indicating the following:

One beep

- Valid key touch
- Function has been entered

One chime

- Oven is preheated
- Preheat cycle has been completed

Three beeps

- Invalid key touch

Three chimes

- End of a cooking cycle

Four chimes

- When timer reaches zero
Includes using the Kitchen Timer for functions other than cooking.

Tone Volume

The volume is preset at low, but can be changed to high.

To Change: Touch TOOLS and then “3” to toggle volume between high and low settings.

All Tones

All tones are preset on, but can be turned off.

To Turn Off/On: Touch TOOLS and then “2” to toggle tones between on/off settings.

End-of-Cycle and Reminder Tones

The Timed Cooking end-of-cycle and reminder tones are preset on, but can be turned off. If all tones have been turned off, the end-of-cycle and reminder tones cannot be independently turned on.

To Turn Tones Off/On: Touch TOOLS and then “4” to turn On. Touch TOOLS and then “4” to turn Off.

NOTE: Turning off this reminder tone does not turn off the Kitchen Timer tone.

Fahrenheit and Celsius

The temperature is preset in Fahrenheit; however, it can be changed to Celsius.

To Change: Touch TOOLS and then “1” to toggle temperature between Fahrenheit and Celsius settings.

When the temperature is in Fahrenheit, “°F” follows the oven temperature.

When the temperature is in Celsius, “°C” follows the oven temperature.

Tools

(combination oven models)

The TOOLS selection key allows you access to 9 hidden functions within the Electronic Oven Control. These hidden functions allow you to change the oven temperature between Fahrenheit and Celsius, turn the audible signals and prompts on and off, adjust the oven calibration, change language and turn on demo mode. The Sabbath Mode is also set using the TOOLS selection key.

To Use: Touch TOOLS. The oven display will scroll through the various tools, starting at 1 and ending automatically at 9. You can also touch the Tools key repeatedly to manually scroll through the list of tools.

TOOLS	HIDDEN FUNCTION
1	Fahrenheit and Celsius conversion
2	Sound On/Off
3	Sound High/Low
4	End tone On/Off
5	Calibration
6	Sabbath Mode
7	Turntable On/Off
8	Language
9	Demo Mode

Kitchen Timer

The Kitchen Timer can be set in minutes and seconds or hours and minutes and counts down the set time.

NOTE: The Kitchen Timer does not start or stop the oven.

To Set:

1. Touch SET/START.
Touch again to switch between MIN/SEC and HR/MIN.
If no action is taken, the control will continue to wait for a length of time to be entered.
2. Touch the number keys to set the length of time.
3. Touch SET/START.
If the key is not touched, the control will continue to wait for Set/Start to be touched.
When the set time ends, 4 chimes will continuously repeat until the TIMER OFF key is touched.
4. Touch TIMER OFF anytime to cancel the Kitchen Timer or stop the reminder tones. If CANCEL key is touched, the oven will turn off; however, the kitchen timer can be turned off only by using the TIMER OFF key.

Control Lock

The Control Lock shuts down the control panel keys to avoid unintended use of the oven(s). The Control Lock will remain set after a power failure, if set before the power failure occurs.

When the control is locked, only the SET/START, TIMER OFF and OVEN LIGHT keys will function.

The Control Lock is preset unlocked, but can be locked.

To Lock Control: Touch and hold START for approximately 3 seconds, until “Control Locked” appears on the lower text line and a lock icon appears in the display.

To Unlock Control: Repeat to unlock. “Control Unlocked” appears on the lower text line and the lock icon will be removed.

Oven Temperature Control

IMPORTANT: Do not use a thermometer to measure oven temperature because opening the oven door during cycling may give incorrect readings.

The oven provides accurate temperatures; however, it may cook faster or slower than your previous oven, so the temperature calibration can be adjusted. It can be changed in Fahrenheit or Celsius.

A minus sign means the oven will be cooler by the displayed amount. The absence of a minus sign means the oven will be warmer by the displayed amount. Use the following chart as a guide.

ADJUSTMENT °F (AUTOMATIC °C CHANGE)	COOKS FOOD
10°F (6°C)	...a little more
20°F (12°C)	...moderately more
30°F (18°C)	...much more
0°F (0°C)	default setting
-10°F (-6°C)	...a little less
-20°F (-12°C)	...moderately less
-30°F (-18°C)	...much less

To Adjust Oven Temperature Calibration:

1. Touch TOOLS, and then 5 to set the calibration.
2. Touch 3 to increase the temperature or touch 6 to decrease the temperature.
3. Touch START to end calibration.

Sabbath Mode

The Sabbath Mode sets the oven to remain on in a bake setting until turned off. A timed Sabbath Mode can also be set to keep the oven on for only part of the Sabbath.

When the Sabbath Mode is set, the allowed number keys are: the number keypads, Start, Tools (to disable only), and Cancel. The display will scroll information on selecting the desired oven temperature.

When the Sabbath Mode is set the upper oven is disabled and no function is allowed. When the oven door is opened or closed, the oven light will not turn on or off and the heating elements will not turn on or off immediately.

If a power failure occurs when the Sabbath Mode is set, the oven will remain in Sabbath Mode but will no longer be actively cooking. The "ON" indicator will no longer be lit. Touch CANCEL to return to normal operating mode (non-Sabbath Mode, not cooking).

To Enable:

Before the Sabbath Mode can be regularly set, the oven must first be enabled with a one time only setup.

1. Touch TOOLS and then touch number key "6." "SABBATH MODE ON" will appear on the oven display for approximately 5 seconds.

To Disable:

The oven can be disabled of the ability to set the Sabbath Mode by repeating the previous steps. See the "To Enable" section.

When the oven is disabled, "SABBATH MODE OFF" will appear on the display and remain on for approximately 5 seconds. The Sabbath Mode cannot be regularly set until re-enabled.

To Regularly Set, Untimed to Activate:

Sabbath Mode must be enabled before starting the Bake cycle. See the "To Enable" section.

1. Touch BAKE.
Touch the number keys to enter a temperature other than 350°F (177°C). The bake range can be set between 145°F and 550°F (63°C and 288°C).
2. Touch START.
3. Touch TOOLS and then number key "6." "SABBATH MODE" will appear on the lower oven display.

To Regularly Set, Timed:

⚠ WARNING

Food Poisoning Hazard

Do not let food sit in oven more than one hour before or after cooking.

Doing so can result in food poisoning or sickness.

Sabbath Mode must be enabled before starting the Bake cycle. See the "To enable" section.

1. Touch BAKE.
Touch the number keys to enter a temperature other than 350°F (177°C). The bake range can be set between 145°F and 550°F (63°C and 288°C).
2. Touch COOK TIME.
3. Touch the number keys to enter the length of Sabbath Mode time, up to 11 hours 59 minutes.
4. Touch START. The oven will begin a timed bake cycle.
5. Touch TOOLS and then touch number key "6." "SABBATH MODE" will appear on the lower oven display.
The start time and stop time will appear on the lower oven display.
6. When the stop time is reached, the oven will automatically turn off. The oven control will remain in Sabbath Mode until the Cancel button is touched.

Temperature Change

The oven temperature can be changed when the oven is in the Sabbath Mode. No tones will sound, and the display will not change. The heating elements will not turn on or off for a random time, anywhere from 16 to 24 seconds. It may take up to one-half hour for the oven to change temperature.

Number keys 1 through 0 represent temperatures. Use the following chart as a guide.

NUMBER KEY	OVEN TEMPERATURE
1	170°F (76°C)
2	200°F (93°C)
3	225°F (107°C)
4	250°F (121°C)
5	300°F (148°C)
6	325°F (162°C)
7	350°F (176°C)
8	375°F (190°C)
9	400°F (204°C)
0	450°F (232°C)

To Change Temperature:

1. Touch the number key from the chart.
2. Touch START.

OVEN USE

Odors and smoke are normal when the oven is used the first few times, or when it is heavily soiled.

During oven use, the heating elements will not remain on, but will cycle on and off throughout oven operation.

IMPORTANT: The health of some birds is extremely sensitive to the fumes given off. Exposure to the fumes may result in death to certain birds. Always move birds to another closed and well-ventilated room.

Aluminum Foil

IMPORTANT: To avoid permanent damage to the oven bottom finish, do not line the oven bottom with any type of foil or liner.

- For best cooking results, do not cover entire rack with foil because air must be able to move freely.
- To catch spills, place foil on rack below dish. Make sure foil is at least ½" (1.3 cm) larger than the dish and that it is turned up at the edges.

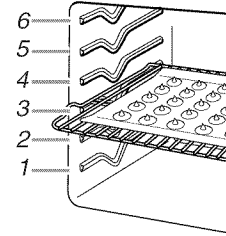
Positioning Racks and Bakeware

IMPORTANT: To avoid permanent damage to the porcelain finish, do not place food or bakeware directly on the oven door or bottom.

RACKS

- Position racks before turning on the oven.
- Do not position racks with bakeware on them.
- Make sure racks are level.

To move a rack, pull it out to the stop position, raise the front edge, then lift out. Use the following illustration and charts as a guide.



Traditional Cooking

FOOD	RACK POSITION*
Large roasts, turkeys, angel food, bundt cakes, quick breads, pies	1 or 2
Yeast breads, casseroles, meat and poultry	2
Cookies, biscuits, muffins, cakes	2 or 3 when single-rack baking; 2f and 5f when multi-rack baking

Convection Cooking

OVEN SETTING	NUMBER OF RACKS USED	RACK POSITION(S)
Rapid Preheat Bake	1	3
Rapid Preheat Convection Bake	1	3
Convection Bake	1	1, 2 or 3
Convection Bake	2	2 and 5
Convection Bake	3	1ro, 3 and 5 or 1ro, 4 and 6
Convection Roast	1	1 or 2
Convection Broil	1	4, 5 or 6

NOTE: An "f" after the rack position number indicates that the flat rack should be used, and an "ro" indicates that the roll-out rack should be used.

Rack positions for Convection and Non-Convection ovens

1-rack baking: 3f, Bake and Convection Bake (Rapid and Std Preheat)

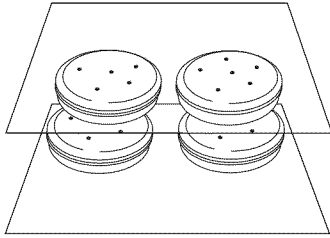
2-rack baking: 2f and 5f, Bake and Convection Bake (Std Preheat)

3-rack baking: 1ro, 3f, 5f or 1ro, 4f, 6f; Convection Bake (Std Preheat)

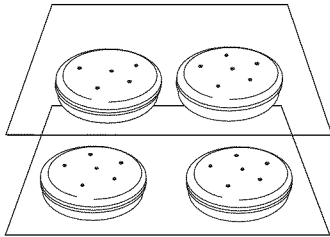
Roasting small cuts of meat and poultry: 2f, Bake and Convection Roast

Roasting large cuts of meat and poultry: 1ro, Bake and Convection Roast

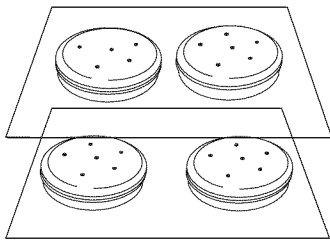
For best results when baking layer cakes in Bake mode in non-convection oven models, use racks 2f or 4f. Place the cakes on the rack as shown.



For best results when baking layer cakes on 2 racks in Bake mode in convection oven models, use racks 1r and 5f, or 2f and 5f. Place the cakes on the rack as shown.



For best results when baking layer cakes on 2 racks in Convection Bake mode in convection oven models, use racks 2f and 5f. Place the cakes on the rack as shown.



BAKEWARE

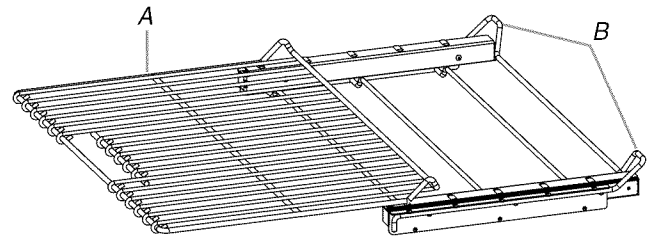
To cook food evenly, hot air must be able to circulate. For traditional cooking, allow 2" (5 cm) of space around bakeware and oven walls. For convection cooking, allow 1" (2.5 cm) of space around bakeware and oven walls. Use the following chart as a guide.

NUMBER OF PAN(S)	POSITION ON RACK
1	Center of rack.
2	Side by side or slightly staggered.
3 or 4	Placement that gives best result. See the rack position graphics in this section for pan placement recommendations.

SatinGlide™ Roll-Out Extension Rack

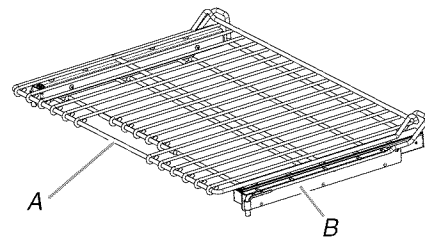
The SatinGlide™ roll-out extension rack allows easy access to position and remove food in the oven. It can be used in rack positions 1 through 4. The SatinGlide™ roll-out extension rack will not fit in position 5.

Open Position



A. SatinGlide™ Roll-out extension rack
B. Sliding shelf

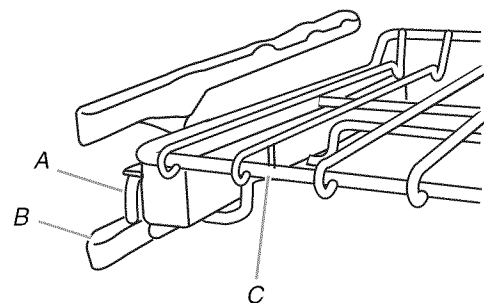
Closed and Engaged Position



A. SatinGlide™ Roll-out extension rack
B. Sliding shelf

To Remove SatinGlide™ Roll-Out Extension Rack:

1. Slide the rack in completely so that it is closed and engaged with the sliding shelf.
2. Using 2 hands, lift up on the front edge of the rack and push the sliding shelf to the back wall of the oven so that the front edge of the sliding shelf sits on the rack guides. The front edge of the rack and the sliding shelf should be higher than the back edge.



A. Sliding shelf
B. Rack guide
C. SatinGlide™ Roll-out extension rack

3. Pull the rack and the sliding shelf out.

To Replace SatinGlide™ Roll-Out Extension Rack

1. Using 2 hands, grasp the front of the closed rack and the sliding shelf. Place the closed rack and the sliding shelf on the rack guide.
2. Using 2 hands, lift up on the front edge of the rack and the sliding shelf together.

- Slowly push the rack and the sliding shelf to the back of the oven until the back edge of the rack pulls over the end of the rack guide.

To avoid damage to the sliding shelves, do not place more than 25 lbs (11.4 kg) on the rack.

Do not clean the SatinGlide™ roll-out extension rack in a dishwasher. It may remove the rack's lubricant and affect its ability to slide.

See the "General Cleaning" section for more information.

Bakeware

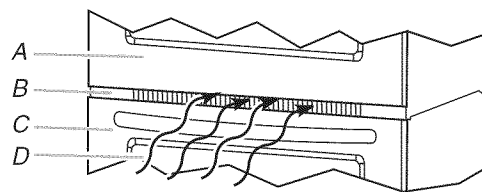
The bakeware material affects cooking results. Follow manufacturer's recommendations and use the bakeware size recommended in the recipe. Use the following chart as a guide.

BAKEWARE/ RESULTS	RECOMMENDATIONS
Light colored aluminum <ul style="list-style-type: none"> Light golden crusts Even browning 	<ul style="list-style-type: none"> Use temperature and time recommended in recipe.
Dark aluminum and other bakeware with dark, dull and/or nonstick finish <ul style="list-style-type: none"> Brown, crisp crusts 	<ul style="list-style-type: none"> May need to reduce baking temperatures slightly. Use suggested baking time. For pies, breads and casseroles, use temperature recommended in recipe. Place rack in center of oven.
Insulated cookie sheets or baking pans <ul style="list-style-type: none"> Little or no bottom browning 	<ul style="list-style-type: none"> Follow rack recommendations in the "Position Racks and Bakeware" section. May need to increase baking time.
Stainless steel <ul style="list-style-type: none"> Light, golden crusts Uneven browning 	<ul style="list-style-type: none"> May need to increase baking time.
Stoneware/Baking stone <ul style="list-style-type: none"> Crisp crusts 	<ul style="list-style-type: none"> Follow manufacturer's instructions.
Ovenproof glassware, ceramic glass or ceramic <ul style="list-style-type: none"> Brown, crisp crusts 	<ul style="list-style-type: none"> May need to reduce baking temperatures slightly.

Meat Thermometer

Not all models have a temperature probe. On models without a temperature probe, use a meat thermometer to determine whether meat, poultry and fish are cooked to the desired degree of doneness. The internal temperature, not appearance, should be used to determine doneness.

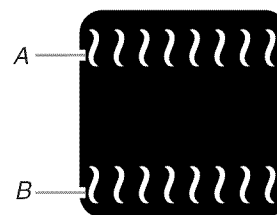
Oven Vent



- A. Upper microwave oven
- B. Oven vent
- C. Lower oven
- D. Warm air

The oven vent should not be blocked or covered since it allows the release of hot air and moisture from the lower oven. Blocking or covering lower oven vent will cause poor air circulation, affecting cooking and cleaning results.

Baking and Roasting



- A. Broil elements
- B. Bake element

During baking or roasting, the bake and broil elements will cycle on and off in intervals to maintain the oven temperature.

Depending on the model, if the oven door is opened during baking or roasting, the heating elements (bake and broil) will turn off approximately 30 seconds after the door is opened. They will turn on again approximately 30 seconds after the door is closed.

Depending on the model, the convection fan and element may operate during the Bake mode.

To Bake or Roast:

Before baking or roasting, position racks according to the "Positioning Racks and Bakeware" section. When roasting, it is not necessary to wait for the oven to preheat before putting food in, unless recommended in the recipe.

Depending on the model, the convection fan and element may operate during the Bake mode.

- Touch **BAKE**.
Touch the number keys to enter a temperature other than 350°F (177°C). The bake range can be set between 145°F and 550°F (63°C and 288°C).

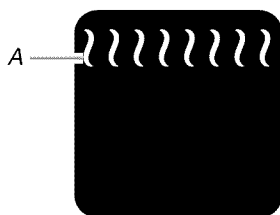
- Touch **START**.
"Lo°" will appear on the oven display if the actual oven temperature is under 100°F (38°C), and "Preheating" will appear in the lower area of the display.

When the actual oven temperature reaches 100°F (38°C), the oven display will begin displaying the temperature as it increases.

When the set temperature is reached, if on, one tone will sound.

- Touch **CANCEL** when finished cooking.

Broiling



A. Broil

Broiling uses direct radiant heat to cook food.

The element(s) cycle on and off in intervals to maintain the oven temperature.

If the oven door is opened during broiling, the broil element(s) will turn off in approximately 30 seconds. When the oven door is closed, the elements will come back on approximately 30 seconds later.

- For best results, use a broiler pan and grid. It is designed to drain juices and help avoid spatter and smoke.
If you would like to purchase a Broiler Pan Kit, it may be ordered. See “Assistance or Service” section to order.
- For proper draining, do not cover the grid with foil. The bottom of the broiler pan may be lined with aluminum foil for easier cleaning.
- Trim excess fat to reduce spattering. Slit the remaining fat on the edges to avoid curling.
- Pull out oven rack to stop position before turning or removing food. Use tongs to turn food to avoid the loss of juices. Very thin cuts of fish, poultry or meat may not need to be turned.
- After broiling, remove the pan from the oven when removing the food. Drippings will bake on the pan if left in the heated oven, making cleaning more difficult.

To Broil:

Before broiling, position rack according to the Broiling Chart.

When broiling, changing the temperature allows more precise control. The lower the temperature, the slower the cooking. Thicker cuts and unevenly shaped pieces of meat, fish and poultry may cook better at lower broiling temperatures.

Position food on the grid on the broiler pan, then place it in the center of the oven rack with the longest side parallel to the door. It is not necessary to wait for the oven to preheat before putting food in, unless recommended in the recipe.

Close the door.

1. Touch BROIL.
Touch the number keys to enter a temperature other than 550°F (288°C). The broil range can be set between 450°F and 550°F (232°C and 288°C).
2. Touch START. A long chime will sound.
The set oven temperature will appear on the oven display until the oven is turned off.
3. Touch CANCEL when finished cooking.

BROILING CHART

For best results, place food 3" (7 cm) or more from the broil elements, rack position 4 is recommended. For diagram, see the “Positioning Racks and Bakeware” section.

A temperature setting of 550°F (288°C) is recommended.

Times are guidelines only and may need to be adjusted for individual foods and tastes.

FOOD	RACK POSITION(S)	COOK TIME (in minutes)
Beef		
Steak 1" to 1¼" (2.5 cm to 3 cm) thick		
medium-rare	5f	10-17
medium	5f	12-19
well-done	5f	15-24
Pork		
Pork chops 1" (2.5 cm) thick		
medium	4f or 5f	15-18
Lamb		
Lamb chops 1" (2.5 cm) thick		
medium-rare	4f or 5f	10-12
medium	4f or 5f	11-13
Ground Meats		
Ground beef, pork or lamb patties* ¾" (2 cm) thick		
well-done	5f or 6f*	15-18
Chicken		
Chicken bone-in pieces (2" to 2½" [5 cm to 6.3 cm])	4f	25-35
boneless pieces (4 oz [113 g])	4f or 5f	12-15
Fish		
Fish ½" to ¾" (1.25 to 2 cm) thick		
steak	4f	6-12
Filet	4f	5-10

*Place up to 12 patties, equally spaced, on broiler grid. For beef to have a well seared exterior and rare interior, use rack 6. Side 1 should cook for approximately 2-3 minutes. Side 2 should cook for approximately 5-6 minutes. Expect a moderate degree of smoke when broiling.

An “f” after the rack position number indicates that the flat rack should be used rather than the roll-out rack.

Convection

In a convection oven, the fan-circulated hot air distributes heat more evenly than the natural movement of air in a standard thermal oven. This movement of hot air helps maintain a consistent temperature throughout the oven, cooking foods more evenly, while sealing in moisture.

Most foods, using convection baking mode, can be cooked by lowering cooking temperatures 25°F (14°C). The cooking time, can be shortened by as much as 30 percent when using Convection Roast, especially for large turkeys and roasts.

- It is important not to cover foods with lids or aluminum foil so that surface areas remain exposed to the circulating air, allowing browning and crisping.
- Keep heat loss to a minimum by opening the oven door only when necessary.
- Choose cookie sheets without sides and roasting pans with lower sides to allow air to move freely around the food.
- Test baked goods for doneness a few minutes before the minimum cooking time using a method such as a toothpick.

⚠ WARNING

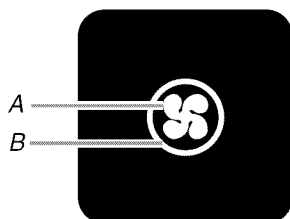


Burn Hazard

Use an oven mitt to remove temperature probe.
Do not touch broil element.
Failure to follow these instructions can result in burns.

- Use a meat thermometer or the temperature probe to determine the doneness of meats and poultry. Check the temperature of pork and poultry in 2 or 3 places.

Convection Bake



A. Convection fan
B. Convection element (hidden)

The convection element is hidden in the rear panel of the oven cavity, and assisted by the convection fan, provides balanced, efficient heating.

Convection baking can be used for baking delicate cakes and pastries, as well as foods on multiple racks. It is helpful to stagger items on the racks to allow a more even flow of heat. If the oven is full, extra cooking time may be needed.

When cooking an oven meal with several different types of foods, be sure to select recipes that require similar temperatures. Cookware should sit in the oven with at least 1" (2.5 cm) of space between the cookware and the sides of the oven.

During convection baking preheat, the convection element, broil element and the CleanBake™ element all heat the oven cavity. After preheat, the convection element, broil element and the CleanBake™ element will cycle on and off in intervals to maintain oven temperature, while the fan circulates the hot air.

If the oven door is opened during convection baking, the fan turns off immediately when the door is opened and turns on immediately when the door is closed. Convection, Bake and Broil elements will turn off approximately 30 seconds after the door is opened. They will turn on again approximately 30 seconds after the door is closed.

- Reduce recipe temperature 25°F (14°C). The cook time may need to be reduced also.

To Convection Bake:

Before convection baking, position racks according to the "Positioning Racks and Bakeware" section. When using 2 racks, place on guides 2 and 4. When using 3 racks, place on guides 1, 3 and 5.

1. Touch CONVECT BAKE.
2. Touch the number keys to choose whether or not to convert the recipe.
3. If "1: Yes" has been selected, you will see screen with "easy convection bake." Then touch the number keys to enter a temperature. The convection bake range can be set between 170°F and 550°F (77°C and 288°C).

The oven temperature will automatically be reduced by 25°F (14°C) for EasyConvection™ bake, and the adjusted temperature will show on the display, but the cook time will not be adjusted.

Then touch the number keys to enter a cook time.

NOTE: If a temperature between 170°F (77°C) and 194°F (90°C) is entered, the display will show only 170°F (77°C) and not the reduced temperature.

4. If "2: No" has been selected, Convection Bake will continue without conversion. Touch the "1" number keypad to use Rapid Preheat or "2" to continue without Rapid Preheat. Then touch the number keys to enter a temperature.

NOTE: Rapid Preheat Convection Bake should only be used for 1-rack baking.

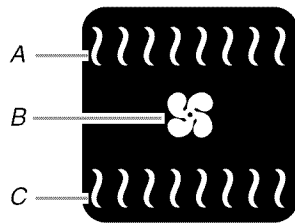
5. Touch START.
"Lo°" will appear on the oven display if the actual oven temperature is under 100°F (38°C), and "Preheating" will appear in the lower area of the display.

When the actual oven temperature reaches 100°F (38°C), the oven display will show the oven temperature increasing.

When the set temperature is reached, if on, 1 chime will sound.

6. Touch CANCEL when finished cooking.

Convection Roast



A. Broil element
B. Convection fan
C. Bake element

Convection roasting can be used for roasting meats and poultry. During convection roasting, the broil, convect, and CleanBake™ elements will cycle on and off in intervals to maintain oven temperature, while the fan circulates the hot air.

If the oven door is opened during convection roasting, the fan turns off immediately when the door is opened and turns on immediately when the door is closed. Bake, broil, and convect elements will turn off approximately 30 seconds after the door is opened. They will turn on again approximately 30 seconds after the door is closed.

To Convection Roast:

Before convection roasting, position racks according to the "Positioning Racks and Bakeware" section. It is not necessary to wait for the oven to preheat before putting food in, unless recommended in the recipe.

1. Touch CONVECT ROAST.
2. Touch the number keys to choose whether or not to convert the recipe.
3. If "1: Yes" has been selected, you will see screen with "easy convect roast." Then touch the number keys to enter a temperature. The convection roast range can be set between 170°F and 550°F (76°C and 288°C).

Then touch the number keys to enter a cook time. The cook time will automatically be adjusted to 80% of the time entered, and the adjusted cook time will appear on the display, but temperature will not be adjusted.

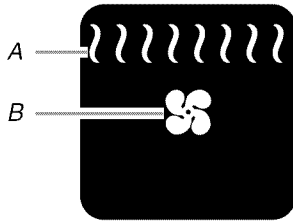
4. If "2: No" has been selected, Convect Roast will continue without conversion. Touch the number keys to enter a temperature.
5. Touch START.
A long chime will sound.
The set oven temperature will appear on the oven display until the oven is turned off.
6. Touch CANCEL when finished cooking.

CONVECTION ROASTING CHART

FOOD/RACK POSITION	COOK TIME (min. per 1 lb [454 g])	OVEN TEMP.	INTERNAL FOOD TEMP.
Beef, Rack Position 2			
Rib Roast			
rare	20-25	325°F (162°C)	140°F (60°C)
medium	25-30		160°F (71°C)
well-done	30-35		170°F (76°C)
Rib Roast (boneless)			
rare	22-25	325°F (162°C)	140°F (60°C)
medium	27-30		160°F (71°C)
well-done	32-35		170°F (76°C)
Rump, Sirloin Tip Roast			
rare	20-25	325°F (162°C)	140°F (60°C)
medium	25-30		160°F (71°C)
well-done	30-35		170°F (76°C)
Veal, Rack Position 2			
Loin, Rib, Rump Roast			
medium	25-35	325°F (162°C)	160°F (71°C)
well-done	30-40		170°F (76°C)
Pork, Rack Position 2			
Loin Roast (boneless)	20-25	325°F (162°C)	160°F-170°F (71°C-76°C)
Shoulder Roast	20-30		160°F-170°F (71°C-76°C)
Ham, Rack Position 1 rollout or 2			
Fresh (uncooked)	30-40	300°F (149°C)	160°F (71°C)
Fully Cooked	15-25		160°F (71°C)
Lamb, Rack Position 2			
Leg, Shoulder Roast			
medium	25-30	325°F (162°C)	160°F (71°C)
well-done	30-35		170°F (76°C)
Chicken*, Rack Position 2			
Whole			
3-5 lbs (1.5-2.2 kg)	16-20	350/375°F (176/190°C)	180°F (82°C)
5-7 lbs (2.2-3.1 kg)	15-25		180°F (82°C)
Turkey*, Rack Positions 1 rollout or 2			
13 lbs and under (5.85 kg)	7-15	325°F (162°C)	180°F (82°C)
Over 13 lbs (5.85 kg)	8-18		180°F (82°C)

*Do not stuff poultry when convection roasting.

Convection Broil



A. Broil heat
B. Convection fan

During convection broiling, the broil element will cycle on and off in intervals to maintain oven temperature, while the fan circulates the hot air.

The temperature is preset at 550°F (288°C), but can be changed to a different temperature. Cooking times will vary depending on the rack position and temperature and may need to be adjusted. If the oven door is opened during convection broiling, the fan turns off immediately when the door is opened and turns on again immediately when the door is closed. Broil elements will turn off approximately 30 seconds after the door is opened. They will turn on again approximately 30 seconds after the door is closed.

To Convection Broil:

Allow the oven to preheat for 5 minutes. Position food on the unheated grid on the broiler pan, then place it in the center of the oven rack with the longest side parallel to the door.

Close the door.

1. Touch CONVECT BROIL.

Touch the number keys to enter a temperature other than 550°F (288°C). The convection broil range can be set between 450°F and 550°F (232°C and 288°C).

2. Touch START.

The set oven temperature will appear on the oven display until oven is turned off.

3. Touch CANCEL when finished cooking.

Proofing Bread

Proofing bread prepares dough for baking by activating the yeast. Proofing twice is recommended unless the recipe directs otherwise.

To Proof:

Before first proofing, place dough in a lightly greased bowl and cover loosely with wax paper coated with shortening. Place on rack guide 2, then place broiler pan on guide 1. See "Positioning Racks and Bakeware" for diagram. Close door.

1. Touch BREAD PROOF. Display will show 100°F (38°C).

2. Touch START.

Let dough rise until nearly doubled in size, check at 20 to 25 minutes. Proofing time may vary depending on dough type and quantity.

3. Touch CANCEL when finished proofing.

Before second proofing, shape dough, place in baking pan(s) and cover loosely with plastic wrap coated with cooking spray. Follow same placement, and control steps above. Before proofing, remove plastic wrap.

Temperature Probe

⚠ WARNING



Burn Hazard

Use an oven mitt to remove temperature probe.

Do not touch broil element.

Failure to follow these instructions can result in burns.

The temperature probe accurately measures the internal temperature of meat, poultry and casseroles with liquid and should be used in determining the doneness of meat and poultry. The temperature probe should only be used with Bake, Convection Bake or Convection Roast.

Always unplug and remove the temperature probe from the oven when removing food.

To Use:

Before using, insert the probe into the food item. (For meats, the probe tip should be located in the center of the thickest part of the meat and not into the fat or touching a bone). Place food in oven and connect the temperature probe to the jack. Keep probe as far away from heat source as possible. Close oven door.

NOTE: The temperature probe must be inserted into the food item before the mode is selected.

1. Touch the number keys to enter a probe temperature. The probe temperature is the desired internal temperature of the food when it is done. The temperature can be set between 110°F and 200°F (43°C and 93°C).

2. Touch BAKE, CONVECT BAKE or CONVECT ROAST.

Touch number keys to enter an oven temperature other than the one displayed. The oven temperature is the temperature given in the recipe.

3. Touch START.

The set oven temperature will appear on the oven display throughout cooking.

"Lo°" will appear as the probe temperature until the internal temperature of the food reaches 45°F (7°C). Then the display will show the temperature increasing.

When the set probe temperature is reached, the oven will shut off automatically and "Cooking Complete" will appear on the oven display.

If enabled, end-of-cycle tones will sound, then reminder tones will sound every minute.

4. Touch CANCEL, or open the oven door to clear the display and/or stop reminder tones.

5. Always unplug and remove the temperature probe from the oven when removing food. The probe symbol will remain lit in the display until the probe is unplugged.

To Change Probe Temperature During a Cooking Cycle:

1. Unplug probe, plug back in, then close lower oven door.

2. Follow steps 1 through 4 in the "To Use" section.

Timed Cooking

⚠ WARNING

Food Poisoning Hazard

Do not let food sit in oven more than one hour before or after cooking.

Doing so can result in food poisoning or sickness.

Timed Cooking allows the oven to be set to turn on at a certain time of day, cook for a set length of time, and/or shut off automatically. Delay start should not be used for food such as breads and cakes because they may not bake properly.

To Set a Cook Time:

1. Touch **BAKE, CONVECT BAKE OR CONVECT ROAST.**
Touch the number keys to enter a temperature other than the one displayed.
Timed Cooking may also be used with the Bread Proof function, but the temperature is not adjustable.
2. Touch **COOK TIME.**
3. Touch number keys to enter the length of time to cook.
4. Touch **START.**

The minute time countdown will appear on the oven display. The start time and stop time are not displayed until the oven is finished preheating.

When the stop time is reached, the oven will shut off automatically, and “cooking complete” will appear on the oven display.

If enabled, end-of-cycle tones will sound, then reminder tones will sound every minute.

5. Touch **CANCEL**, or open and close the oven door to clear the display and/or stop reminder tones.

To Set a Cook Time and Stop Time:

Before setting, make sure the clock is set to the correct time of day. See “Clock” section.

1. Touch **BAKE, CONVECT BAKE OR CONVECT ROAST.**
Touch the number keys to enter a temperature other than the one displayed.
Timed Cooking may also be used with the Bread Proof function but the temperature is not adjustable.
2. Touch **COOK TIME.**
3. Touch number keys to enter the length of time to cook.
4. Touch **STOP TIME.**
5. Touch the number keys to enter time of day to stop.
6. Touch **START.**

The start time is automatically calculated and displayed. “DELAY” and the stop time will also appear on the oven display.

When the start time is reached, the oven will automatically turn on. The minute time countdown will appear on the oven display.

When the stop time is reached, the oven will shut off automatically, and “cooking complete” will appear on the oven display.

If enabled, end-of-cycle tones will sound, then reminder tones will sound every minute.

7. Touch **CANCEL**, or open and close the oven door to clear the display and/or stop reminder tones.

OVEN CARE

High Temp Self-Cleaning Cycle

⚠ WARNING



Burn Hazard

Do not touch the oven during the Self-Cleaning cycle.

Keep children away from oven during Self-Cleaning cycle.

Failure to follow these instructions can result in burns.

IMPORTANT: The health of some birds is extremely sensitive to the fumes given off during the High Temp Self-Cleaning cycle. Exposure to the fumes may result in death to certain birds. Always move birds to another closed and well-ventilated room.

Self-clean the oven before it becomes heavily soiled. Heavy soil results in longer cleaning and more smoke.

Keep the kitchen well-ventilated during the High Temp Self-Cleaning cycle to help get rid of heat, odors, and smoke.

Do not block the oven vent(s) during the High Temp Self-Cleaning cycle. Air must be able to move freely. Depending on your model, see “Oven Vent” or “Oven Vents” section.

Do not clean, rub, damage or move the oven door gasket. The door gasket is essential for a good seal.

Prepare Oven:

- Remove the broiler pan, grid, cookware and bakeware and, on some models, the temperature probe from the oven.
- Remove oven racks to keep them shiny and easy to slide. See “General Cleaning” section for more information.
- Remove any foil from the oven because it may burn or melt, damaging the oven.
- Hand clean inside door edge and the 1½" (3.8 cm) area around the inside oven cavity frame, being certain not to move or bend the gasket. This area does not get hot enough during high temp self-cleaning to remove soil. Do not let water, cleaner, etc., enter slots on door frame. Use a damp cloth to clean this area.
- Wipe out any loose soil to reduce smoke and avoid damage. At high temperatures, foods react with porcelain. Staining, etching, pitting or faint white spots can result. This is normal and will not affect cooking performance.

How the Cycle Works

IMPORTANT: The heating and cooling of porcelain on steel in the oven may result in discoloring, loss of gloss, hairline cracks and popping sounds.

The High Temp Self-Cleaning cycle uses very high temperatures, burning soil to a powdery ash.

The oven is preset for a 4 hour 30 minute clean cycle; however, the time can be changed. Suggested clean times are 3 hours 30 minutes for light soil and between 4 hours 30 minutes and 5 hours 30 minutes for average to heavy soil.

Use the following chart as a guide to determine the desired cleaning level.

CLEANING LEVEL	TOTAL CLEANING TIME (includes a 30 minute cool down time)
1 (Quick)	3 hours 30 minutes
2 (Reg)	4 hours 30 minutes
3 (Maxi)	5 hours 30 minutes

Once the oven has completely cooled, remove ash with a damp cloth. To avoid breaking the glass, do not apply a cool damp cloth to the inner door glass before it has completely cooled.

The oven lights will not work during the High Temp Self-Cleaning cycle.

On double oven models, only one oven can self-clean at a time. If one oven is high temp self-cleaning, the other oven cannot be set or turned on.

On combo oven models, be sure that the microwave oven is turned off. The microwave oven is disabled when oven is in the Self-Clean cycle.

NOTE: The oven has a 2 speed cooling fan motor. During self-clean the fan(s) will operate at its highest speed to increase airflow to better exhaust the hotter air through the oven vent(s). An increase of noise may be noticeable during and after the self-clean cycle until the oven cools.

To Start High-Temp Self-Cleaning:

Before high temp self-cleaning, make sure the door is closed completely or it will not lock and the cycle will not begin.

1. Touch SELF CLEAN. Touch SELF CLEAN repeatedly to set a clean time other than 4 hours and 30 minutes. The clean time can be set between 3 hours and 30 minutes and 5 hours and 30 minutes.

Number keys cannot be used to set a clean time.

2. Touch START.

The oven will start locking the door and display “Locking Door.” Opening the door at this point will cancel the self-clean cycle. “Door Locked” will display once the door is locked. Then, the start time and stop time will appear in the oven display.

When the cycle is complete and the oven is cool, “self clean complete” will appear on the oven display and “DOOR LOCKED” will disappear. The door will not unlock until the oven is cool.

3. Touch CANCEL, or open and close the oven door to clear the oven display.

To Delay the Start of High Temp Self-Cleaning:

Before starting a delayed High Temp Self-Clean cycle, make sure the clock is set to the correct time of day. See “Clock” section. Also, make sure the door is closed completely or it will not lock and the cycle will not begin.

1. Touch SELF CLEAN. Touch SELF CLEAN repeatedly to set a clean time other than 4 hours and 30 minutes. The clean time can be set between 3 hours and 30 minutes and 5 hours and 30 minutes.

Number keys cannot be used to set clean time.

2. Touch STOP TIME.

3. Touch the number keys to enter the time of day to stop.

4. Touch START.

The start time and stop time is automatically calculated and displayed.

The door will not lock until the start time is reached.

When the start time is reached, the oven will automatically turn on. The oven will start locking the door and will display “Locking Door.” Opening the door at this point will cancel the self-clean cycle. “Door Locked” will display once the door is locked.

When the cycle is complete and the oven cools, “self clean complete” will appear on the oven display and “DOOR LOCKED” will disappear. The door will not unlock until the oven is cool.

5. Touch CANCEL, or open and close the oven door to clear the oven display.

To Stop High Temp Self-Cleaning anytime:

Touch CANCEL. If the oven temperature is too high, the door will remain locked. It will not unlock until the oven cools.

General Cleaning

IMPORTANT: Before cleaning, make sure all controls are off and the oven is cool. Always follow label instructions on cleaning products.

Soap, water and a soft cloth or sponge are suggested first unless otherwise noted.

STAINLESS STEEL (on some models)

To avoid damage to stainless steel surfaces, do not use soap-filled scouring pads, abrasive cleaners, Cooktop Cleaner, steel-wool pads, gritty washcloths or abrasive paper towels.

Cleaning Method:

Rub in direction of grain to avoid damaging.

- affresh™ Stainless Steel Cleaner Part Number W10355016 (not included) or affresh™ Stainless Steel Cleaning Wipes Part Number W10355049 (not included):

See “Assistance or Service” section to order.

- Liquid detergent or all-purpose cleaner:

Rinse with clean water and dry with soft, lint-free cloth.

OVEN DOOR EXTERIOR

Cleaning Method:

- Glass cleaner and a soft cloth or sponge:

Apply glass cleaner to soft cloth or sponge, not directly on panel.

- affresh™ Kitchen and Appliance Cleaner Part Number W10355010 (not included):

See “Assistance or Service” section to order.

OVEN DOOR INTERIOR

Cleaning Method:

- Self-Cleaning cycle:

For optimal door cleaning result, wipe away any deposits with a damp sponge before running cycle.

CONTROL PANEL

To avoid damage to the control panel, do not use abrasive cleaners, steel-wool pads, gritty washcloths or abrasive paper towels.

Cleaning Method:

- Glass cleaner and soft cloth or sponge:
Apply glass cleaner to soft cloth or sponge, not directly on panel.
- affresh™ Kitchen and Appliance Cleaner Part Number W10355010 (not included):
See “Assistance or Service” section to order.

OVEN CAVITY

Do not use oven cleaners.

Food spills should be cleaned when oven cools. At high temperatures, foods react with porcelain and staining, etching, pitting or faint white spots can result.

Cleaning Method:

- Self-Cleaning cycle: See “Self-Cleaning Cycle” first.

OVEN RACKS

Cleaning Method:

- Self-Cleaning cycle:
See “Self-Cleaning Cycle” first. Remove racks or they will discolor and become harder to slide. If this happens, a light coating of vegetable oil applied to the rack guides will help them slide.
- Steel-wool pad

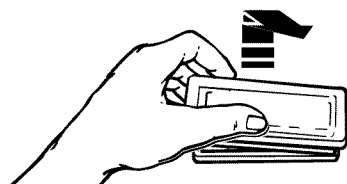
Oven Lights

The oven lights are 120-volt, 5-watt maximum halogen bulbs. They will come on when the oven door is opened. On double oven models, both upper and lower lights will come on when either door is opened. The oven lights will not work during the Self-Cleaning cycle. When the oven door is closed, touch Oven Light to turn light on or off.

To Replace:

Before replacing the bulb, make sure the oven is off and cool.

1. Disconnect power.
2. Remove glass light cover by grasping the front edge and pulling away from oven.



3. Remove bulb from socket.
4. Replace bulb, using tissue or wearing cotton gloves to handle bulb. To avoid damage to or decreasing the life of the new bulb, do not touch bulb with bare fingers.
5. Replace bulb cover by snapping back into wall.
6. Reconnect power.

Oven Door

IMPORTANT:

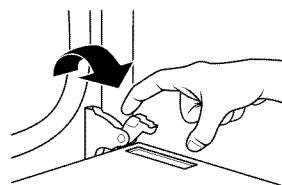
To avoid oven door glass breakage:

- Do not close the oven door if the racks are not fully inserted into the oven cavity or when bakeware extends past the front edge of an oven rack.
- Do not set objects on the glass surface of the oven door.
- Do not hit glass surfaces with bakeware or other objects.
- Do not wipe down glass surfaces until the oven has completely cooled.

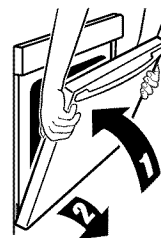
For normal oven use, it is not suggested to remove the oven door. However, if removal is necessary, make sure the oven is off and cool. Then, follow these instructions. The oven door is heavy.

To Remove:

1. Open oven door all the way.
2. Flip up the hinge latch on each side.



3. Close the oven door as far as it will shut.
4. Lift the oven door while holding both sides.
Continue to push the oven door closed and pull it away from the oven door frame.



To Replace:

1. Insert both hanger arms into the door.



2. Open the oven door.
You should hear a “click” as the door is set into place.
3. Move the hinge levers back to the locked position. Check that the door is free to open and close. If it is not, repeat the removal and installation procedures.

TROUBLESHOOTING

Try the solutions suggested here first in order to avoid the cost of an unnecessary service call.

Nothing will operate

- **Has a household fuse blown, or has a circuit breaker tripped?**
Replace the fuse or reset the circuit breaker. If the problem continues, call an electrician.
 - **Is the appliance wired properly?**
See Installation Instructions.
-

Oven will not operate

- **Is the electronic oven control set correctly?**
See “Electronic Oven Control” section.
 - **Has a delay start been set?**
See “Timed Cooking” section.
 - **Is the Control Lock set?**
See “Control Lock” section.
 - **Is the Sabbath Mode set?**
See “Sabbath Mode” section.
 - **On double oven models, is one oven self-cleaning?**
When one oven is self-cleaning, the other oven cannot be set or turned on.
 - **On double oven models, has the correct oven been selected?**
Choose UPPER OVEN or LOWER OVEN first.
-

Oven temperature too high or too low

- **Does the oven temperature calibration need adjustment?**
See “Oven Temperature Control” section.
-

Warm air coming from oven vent

- Warm air coming from the oven vent is normal. During a self-clean cycle, the air stream is increased.
-

Display shows messages

- **Is the display showing a letter followed by a number?**
Clear the display. See “Display(s)” section. If a letter followed by a number reappears, call for service. See “Assistance or Service” section.
-

Self-Cleaning cycle will not operate

- **Is the oven door open?**
Close the oven door all the way.
 - **Has the function been entered?**
See “Self-Cleaning Cycle” section.
 - **On some models, has a delay start Self-Clean cycle been set?**
See “Self-Cleaning Cycle” section.
 - **Has a delay start been set?**
See “Timed Cooking” section.
 - **On double oven models, is one oven self-cleaning?**
When one oven is self-cleaning, the other oven cannot be set to self-clean.
-

Oven cooking results not what expected

- **Is the proper temperature set?**
Double-check the recipe in a reliable cookbook.
- **Is the proper oven temperature calibration set?**
See “Oven Temperature Control” section.
- **Was the oven preheated?**
See “Baking and Roasting” section.
- **Is the proper bakeware being used?**
See “Bakeware” section.
- **Are the racks positioned properly?**
See “Positioning Racks and Bakeware” section.
- **Is there proper air circulation around bakeware?**
See “Positioning Racks and Bakeware” section.
- **Is the batter evenly distributed in the pan?**
Check that batter is level in the pan.
- **Is the proper length of time being used?**
Adjust cooking time.
- **Has the oven door been opened while cooking?**
Oven peeking releases oven heat and can result in longer cooking times.
- **Are baked items too brown on the bottom?**
Move rack to higher position in the oven.
- **Are pie crust edges browning early?**
Use aluminum foil to cover the edge of the crust and/or reduce baking temperature.

ASSISTANCE OR SERVICE

Before calling for assistance or service, please check "Troubleshooting." It may save you the cost of a service call. If you still need help, follow the instructions below.

When calling, please know the purchase date and the complete model and serial number of your appliance. This information will help us to better respond to your request.

If you need replacement parts

If you need to order replacement parts, we recommend that you use only factory specified parts. These factory specified parts will fit right and work right because they are made with the same precision used to build every new KITCHENAID® appliance.

To locate factory specified parts in your area, call us or your nearest KitchenAid designated service center.

In the U.S.A.

Call the KitchenAid Customer eXperience Center toll free: **1-800-422-1230** or visit our website at www.kitchenaid.com.

Our consultants provide assistance with:

- Features and specifications on our full line of appliances.
- Installation information.
- Use and maintenance procedures.
- Accessory and repair parts sales.
- Specialized customer assistance (Spanish speaking, hearing impaired, limited vision, etc.).
- Referrals to local dealers, repair parts distributors and service companies. KitchenAid designated service technicians are trained to fulfill the product warranty and provide after-warranty service, anywhere in the United States.

To locate the KitchenAid designated service company in your area, you can also look in your telephone directory Yellow Pages.

For further assistance

If you need further assistance, you can write to KitchenAid with any questions or concerns at:

KitchenAid Brand Home Appliances
Customer eXperience Center
553 Benson Road
Benton Harbor, MI 49022-2692

Please include a daytime phone number in your correspondence.

Accessories

Accessories U.S.A.

To order accessories, call the KitchenAid Customer eXperience Center toll free at **1-800-442-9991** and follow the menu prompts. Or visit our website at

www.kitchenaid.com/cookingaccessories. Portable appliances, bakeware, cookware, gadgets and textiles are also available.

affresh™ Stainless Steel Cleaner

(stainless steel models)

Order Part Number W10355016

affresh™ Stainless Steel Cleaning Wipes

(stainless steel models)

Order Part Number W10355049

affresh™ Kitchen and Appliance Cleaner

Order Part Number W10355010

Porcelain Broiler Pan and Grid

Order Part Number 4396923

Premium Broiler Pan and Roasting Rack

Order Part Number W10123240

www.maytag.com/broilerpan

In Canada

Call the KitchenAid Canada Customer eXperience Centre toll free: **1-800-807-6777** or visit our website at www.kitchenaid.ca.

Our Consultants Provide Assistance With:

- Features and specifications on our full line of appliances.
- Use and maintenance procedures.
- Accessory and repair parts sales.
- Referrals to local dealers, repair parts distributors and service companies. KitchenAid Canada designated service technicians are trained to fulfill the product warranty and provide after-warranty service, anywhere in Canada.

For Further Assistance

If you need further assistance, you can write to KitchenAid Canada with any questions or concerns at:

Customer eXperience Centre
KitchenAid Canada
200 - 6750 Century Ave.
Mississauga, Ontario L5N 0B7

Please include a daytime phone number in your correspondence.

KITCHENAID® BUILT-IN OVEN & MICROWAVE WARRANTY

LIMITED WARRANTY

For one year from the date of purchase, when this major appliance is operated and maintained according to instructions attached to or furnished with the product, KitchenAid brand of Whirlpool Corporation or Whirlpool Canada LP (hereafter "KitchenAid") will pay for Factory Specified Parts and repair labor to correct defects in materials or workmanship. Service must be provided by a KitchenAid designated service company. This limited warranty is valid only in the United States or Canada and applies only when the major appliance is used in the country in which it was purchased. Outside the 50 United States and Canada, this limited warranty does not apply. Proof of original purchase date is required to obtain service under this limited warranty.

SECOND THROUGH FIFTH YEAR LIMITED WARRANTY ON CERTAIN COMPONENT PARTS

In the second through fifth years from the date of purchase, when this appliance is operated and maintained according to instructions attached to or furnished with the product, KitchenAid will pay for Factory Specified Parts for the following components if defective in materials or workmanship:

- Electric element
- Solid state touch control system parts

SECOND THROUGH TENTH YEAR LIMITED WARRANTY

On microwave ovens only, in the second through tenth years from date of purchase, when this major appliance is operated and maintained according to instructions attached to or furnished with the product, KitchenAid will pay for Factory Specified Parts for the stainless steel oven cavity/inner door if the part rusts through due to defects in materials or workmanship.

ITEMS EXCLUDED FROM WARRANTY

This limited warranty does not cover:

1. Service calls to correct the installation of your major appliance, to instruct you on how to use your major appliance, to replace or repair house fuses, or to correct house wiring or plumbing.
2. Service calls to repair or replace appliance light bulbs, air filters or water filters. Consumable parts are excluded from warranty coverage.
3. Repairs when your major appliance is used for other than normal, single-family household use or when it is used in a manner that is contrary to published user or operator instructions and/or installation instructions.
4. Damage resulting from accident, alteration, misuse, abuse, fire, flood, acts of God, improper installation, installation not in accordance with electrical or plumbing codes, or use of consumables or cleaning products not approved by KitchenAid.
5. Cosmetic damage, including scratches, dents, chips or other damage to the finish of your major appliance, unless such damage results from defects in materials or workmanship and is reported to KitchenAid within 30 days from the date of purchase.
6. Costs associated with the removal from your home of your major appliance for repairs. This major appliance is designed to be repaired in the home and only in-home service is covered by this warranty.
7. Repairs to parts or systems resulting from unauthorized modifications made to the appliance.
8. Expenses for travel and transportation for product service if your major appliance is located in a remote area where service by an authorized KitchenAid servicer is not available.
9. The removal and reinstallation of your major appliance if it is installed in an inaccessible location or is not installed in accordance with published installation instructions.
10. Major appliances with original model/serial numbers that have been removed, altered or cannot be easily determined. This warranty is void if the factory applied serial number has been altered or removed from your major appliance.

The cost of repair or replacement under these excluded circumstances shall be borne by the customer.

DISCLAIMER OF IMPLIED WARRANTIES; LIMITATION OF REMEDIES

CUSTOMER'S SOLE AND EXCLUSIVE REMEDY UNDER THIS LIMITED WARRANTY SHALL BE PRODUCT REPAIR AS PROVIDED HEREIN. IMPLIED WARRANTIES, INCLUDING WARRANTIES OF MERCHANTABILITY OR FITNESS FOR A PARTICULAR PURPOSE, ARE LIMITED TO ONE YEAR OR THE SHORTEST PERIOD ALLOWED BY LAW. KITCHENAID SHALL NOT BE LIABLE FOR INCIDENTAL OR CONSEQUENTIAL DAMAGES. SOME STATES AND PROVINCES DO NOT ALLOW THE EXCLUSION OR LIMITATION OF INCIDENTAL OR CONSEQUENTIAL DAMAGES, OR LIMITATIONS ON THE DURATION OF IMPLIED WARRANTIES OF MERCHANTABILITY OR FITNESS, SO THESE EXCLUSIONS OR LIMITATIONS MAY NOT APPLY TO YOU. THIS WARRANTY GIVES YOU SPECIFIC LEGAL RIGHTS, AND YOU MAY ALSO HAVE OTHER RIGHTS WHICH VARY FROM STATE TO STATE OR PROVINCE TO PROVINCE.

If outside the 50 United States and Canada, contact your authorized KitchenAid dealer to determine if another warranty applies.

If you need service, first see the "Troubleshooting" section of the Use & Care Guide. After checking "Troubleshooting," you may find additional help by checking the "Assistance or Service" section or by calling KitchenAid. In the U.S.A., call **1-800-422-1230**. In Canada, call **1-800-807-6777**.

9/07

Keep this book and your sales slip together for future reference. You must provide proof of purchase or installation date for in-warranty service.

Write down the following information about your major appliance to better help you obtain assistance or service if you ever need it. You will need to know your complete model number and serial number. You can find this information on the model and serial number label located on the product.

Dealer name _____

Address _____

Phone number _____

Model number _____

Serial number _____

Purchase date _____

SÉCURITÉ DU FOUR

Votre sécurité et celle des autres est très importante.

Nous donnons de nombreux messages de sécurité importants dans ce manuel et sur votre appareil ménager. Assurez-vous de toujours lire tous les messages de sécurité et de vous y conformer.



Voici le symbole d'alerte de sécurité.

Ce symbole d'alerte de sécurité vous signale les dangers potentiels de décès et de blessures graves à vous et à d'autres.

Tous les messages de sécurité suivront le symbole d'alerte de sécurité et le mot "DANGER" ou "AVERTISSEMENT". Ces mots signifient :

⚠ DANGER

Risque possible de décès ou de blessure grave si vous ne suivez pas immédiatement les instructions.

⚠ AVERTISSEMENT

Risque possible de décès ou de blessure grave si vous ne suivez pas les instructions.

Tous les messages de sécurité vous diront quel est le danger potentiel et vous disent comment réduire le risque de blessure et ce qui peut se produire en cas de non-respect des instructions.

IMPORTANTES INSTRUCTIONS DE SÉCURITÉ

AVERTISSEMENT : Pour réduire le risque d'incendie, de choc électrique, de blessures corporelles ou de dommages lors de l'utilisation du four, il convient d'observer certaines précautions élémentaires dont les suivantes :

- Installation appropriée – S'assurer que le four est convenablement installé et relié à la terre par un technicien qualifié.
- Ne jamais utiliser le four pour chauffer ou réchauffer une pièce.
- Ne pas laisser les enfants seuls – Les enfants ne doivent pas être laissés seuls ou sans surveillance dans la pièce où le four est en service. Ne jamais laisser les enfants s'asseoir ou se tenir sur une partie quelconque du four.
- Porter des vêtements appropriés – Les vêtements amples ou détachés ne doivent jamais être portés pendant l'utilisation du four.
- Entretien par l'utilisateur – Ne pas réparer ni remplacer toute pièce du four si ce n'est pas spécifiquement recommandé dans le manuel. Toute autre opération d'entretien ou de réparation doit être confiée à un technicien qualifié.
- Ne pas utiliser d'eau pour éteindre un feu de graisse – Éteindre le feu ou les flammes ou utiliser des extincteurs polyvalents à produits chimiques secs ou un extincteur à mousse.
- Utiliser seulement des mitaines sèches de four – Des mitaines de four mouillées ou humides sur des surfaces chaudes peuvent provoquer des brûlures provenant de la vapeur. Ne pas laisser les mitaines de four toucher les éléments chauffants. Ne pas utiliser une serviette ou un tissu épais.
- Exercer une grande prudence lors de l'ouverture de la porte. Laisser l'air chaud ou la vapeur s'échapper avant d'enlever ou de remplacer un plat.
- Ne pas faire chauffer des contenants fermés – L'accumulation de pression peut causer une explosion du contenant et des blessures.

- Ne jamais obstruer les ouvertures des événements.
- Placement des grilles du four – Toujours placer les grilles du four à l'endroit désiré, lorsque le four est froid. Si la grille doit être déplacée lorsque le four est chaud, ne pas laisser des mitaines de four toucher l'élément chauffant dans le four.
- Remisage dans le four – Des matériaux inflammables ne doivent pas être remisés dans un four.
- **NE PAS TOUCHER LES ÉLÉMENTS CHAUFFANTS OU LES SURFACES INTÉRIEURES DU FOUR** – les éléments chauffants peuvent être chauds même s'ils ont une teinte foncée. Les surfaces intérieures de four deviennent assez chaudes pour causer des brûlures. Pendant et après l'utilisation, ne pas toucher ou laisser des vêtements ou autres matériaux inflammables venir en contact avec les éléments chauds ou les surfaces intérieures chaudes du four avant qu'ils aient eu assez de temps pour refroidir. D'autres surfaces du four peuvent devenir assez chaudes pour causer des brûlures. Ces surfaces comprennent les ouvertures de l'évent du four et la surface près de ces ouvertures, les portes du four et les hublots des portes du four.

Fours autonettoyants :

- Ne pas nettoyer le joint de la porte – Le joint de la porte est essentiel pour l'étanchéité. Veiller à ne pas frotter, endommager ou déplacer le joint.
- Ne pas utiliser les produits commerciaux de nettoyage de four – On ne doit pas utiliser un produit commercial de nettoyage de four ou un enduit de protection des surfaces internes du four quel qu'en soit le type, sur les surfaces du four ou les surfaces voisines.
- Nettoyer uniquement les pièces indiquées dans le manuel.
- Avant d'exécuter le programme d'autonettoyage du four, enlever la lèchefrite et sa grille et les autres ustensiles.

CONSERVEZ CES INSTRUCTIONS

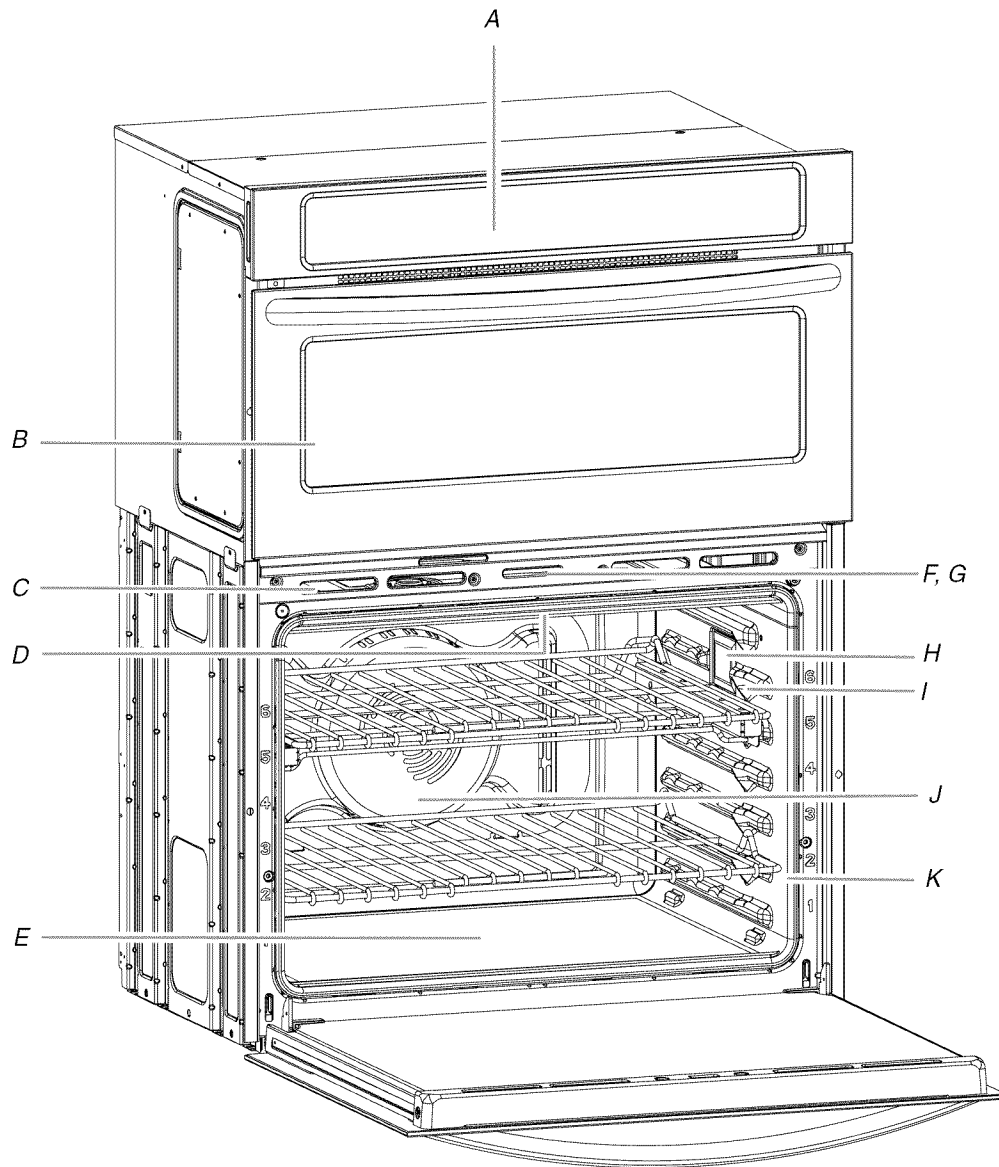
Avertissements de la proposition 65 de l'État de Californie :

AVERTISSEMENT : Ce produit contient au moins un produit chimique connu par l'État de Californie pour être à l'origine de cancers.

AVERTISSEMENT : Ce produit contient au moins un produit chimique connu par l'État de Californie pour être à l'origine de malformations et autres déficiences de naissance.

PIÈCES ET CARACTÉRISTIQUES

Ce manuel couvre différents modèles. Le four que vous avez acheté peut comporter tous les articles énumérés ou seulement certains d'entre eux. L'emplacement et l'apparence des caractéristiques illustrées peuvent ne pas correspondre à ceux de votre modèle.



A. Module de commande électronique du four

B. Four à micro-ondes supérieur
(uniquement sur les modèles de fours combinés)

C. Événement du four

D. Éléments de cuisson au gril (non illustrés)

E. Élément de cuisson au four CleanBake™
(dissimulé sous le panneau du plancher)

F. Interrupteur automatique de la lampe du four

G. Loquet de verrouillage de la porte du four

H. Éclairage du four

I. Connecteur de la sonde thermométrique

J. Ventilateur et élément de convection
(dans le panneau arrière)

K. Joint d'étanchéité

Pièces et caractéristiques non illustrées

Troisième grille du four (grille déployante)

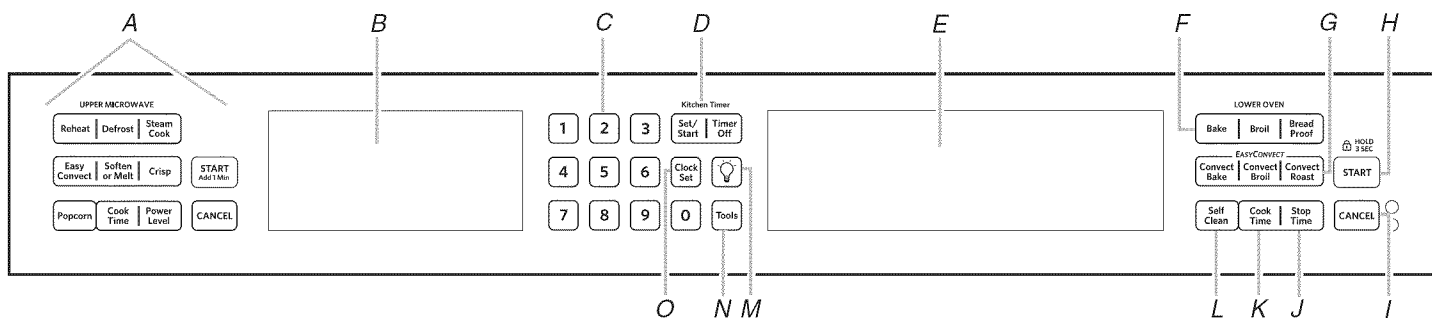
Grille de rôtissage

Sonde thermométrique

Plaque signalétique des numéros de modèle et de série

COMMANDES ÉLECTRONIQUES DU FOUR

Ce manuel couvre différents modèles. Le four que vous avez acheté peut comporter tous les articles énumérés ou seulement certains d'entre eux. Les emplacements et aspects des articles illustrés ici peuvent ne pas correspondre à ceux de votre modèle.



A. Commandes du four à micro-ondes (consulter le Guide d'utilisation et d'entretien séparé)

B. Affichage du four à micro-ondes supérieur

C. Touches numériques

D. Minuterie de cuisine

E. Affichage du four inférieur

F. Réglages du four

G. Réglages de cuisson par convection

H. Mise en marche/verrouillage des commandes

I. Annulation

J. Heure d'arrêt

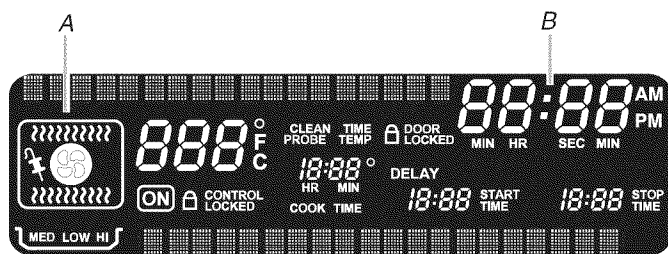
K. Durée de cuisson

L. Autonettoyage

M. Lampe du four

N. Outils

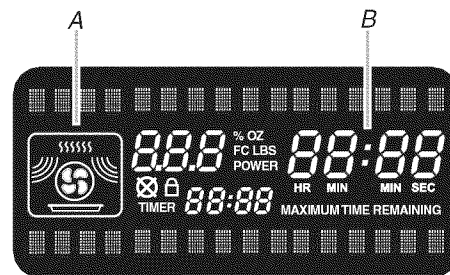
O. Réglage de l'horloge



Affichage du four inférieur (modèles de fours combinés)

A. Symbole de cavité du four

B. Affichage de l'heure/minuterie



Affichage du four à micro-ondes supérieur (modèles de fours combinés)

A. Symbole de la cavité du four à micro-ondes

B. Affichage de la minuterie

Affichage(s)

Lors de la mise sous tension initiale du four, "12:00" clignote sur l'affichage et "Horl-Entr Heure" apparaît sur l'affichage. Entrer l'heure en appuyant sur les touches numériques; ensuite appuyer sur CLOCK SET (réglage de l'horloge) ou START (mise en marche) pour l'activer. Pour permettre le fonctionnement du four sans régler l'heure, appuyer sur CLOCK SET (réglage de l'horloge), START (mise en marche) ou CANCEL (annulation).

Affichage du four inférieur (modèles de fours combinés)

Lorsqu'on utilise le four inférieur, l'affichage indique la température du four, la(les) source(s) de chaleur et l'heure de mise en marche. En outre, pendant la cuisson minutée, cet affichage indique aussi un compte à rebours et l'heure de fin de cuisson (si programmée).

Si "Err" apparaît sur l'affichage du four supérieur, cela signifie qu'une erreur s'est produite. Pour demander un dépannage, voir la section "Assistance ou service".

Affichage de l'heure/minuterie

Lorsque l'affichage du four inférieur n'est pas utilisé, cet affichage indique l'heure ou le compte à rebours de la minuterie.

Affichage du four à micro-ondes supérieur (modèles de fours combinés)

Lorsque le four à micro-ondes supérieur est utilisé, cet affichage indique la ou les sources de chaleur du four supérieur, la puissance de cuisson, les quantités, les poids et/ou des messages-guides et le compte à rebours de la minuterie.

Si "Err" apparaît sur l'affichage du four supérieur, cela signifie qu'une erreur s'est produite. Pour demander un dépannage, voir la section "Assistance ou service".

Lorsque le four à micro-ondes supérieur n'est pas utilisé, cet affichage est vierge.

Démarrer

La touche START (mise en marche) met en marche toutes les fonctions du four excepté le mode Sabbath. Si l'on n'appuie pas sur la touche Start (mise en marche) 5 secondes maximum après avoir appuyé sur une autre touche, "START?" apparaît sur l'affichage du four inférieur à titre de rappel. Selon le modèle, si l'on n'appuie pas sur la touche Start dans les 5 minutes après avoir appuyé sur une touche, l'affichage du four retourne au mode inactif (vierge) et la fonction programmée est annulée.

Cancel (annulation)

La touche CANCEL (annulation) du four inférieur désactive toutes les fonctions du four à l'exception de l'horloge, de la minuterie de cuisine et du verrouillage des commandes. Le(s) ventilateur(s) de refroidissement du four peut/peuvent continuer à fonctionner même après l'annulation ou la fin d'une fonction, selon la température du four.

Horloge

Il s'agit d'une horloge de 12 heures. Avant d'effectuer le réglage, s'assurer que le(s) four(s), la minuterie de cuisine et la cuisson minutée sont désactivés.

Réglage :

1. Appuyer sur CLOCK SET (réglage de l'horloge).
2. Appuyer sur les touches numériques pour régler l'heure.
3. Appuyer de nouveau sur CLOCK SET (réglage de l'horloge) ou sur START (mise en marche).

Signaux sonores

Les signaux sonores indiquent ce qui suit :

Un bip

- Touche numérique valide
- Fonction entrée

Une sonnerie

- Four préchauffé
- Programme de préchauffage terminé

Trois bips

- Touche numérique non valide

Trois sonneries

- Fin d'un programme de cuisson

Quatre sonneries

- Lorsque la minuterie est à zéro
Comprend l'utilisation de la minuterie de cuisine pour des fonctions autres que la cuisson.

Volume des signaux sonores

Le volume est préréglé à faible, mais il peut être changé à élevé.

Modification : Appuyer sur TOOLS (outils), puis sur "3" pour alterner entre un réglage de volume élevé ou faible.

Tous les signaux sonores

Tous les signaux sonores sont actifs par défaut, mais peuvent être désactivés.

Désactivation/activation : Appuyer sur TOOLS (outils), puis sur "2" pour activer/désactiver les signaux sonores.

Signaux de fin de programme et de rappel

Les signaux sonores de la minuterie et de fin de programme d'une cuisson minutée sont activés par défaut mais peuvent être désactivés. Si tous les signaux ont été éteints, les signaux sonores de fin de programme et de rappel ne peuvent être allumés seuls.

Désactivation/activation des signaux sonores : Appuyer sur TOOLS (outils), puis sur "4" pour activer. Appuyer sur TOOLS (outils), puis sur "4" pour désactiver.

REMARQUE : Si l'on désactive ce signal de rappel, le signal sonore de la minuterie de cuisine ne sera pas désactivé pour autant.

Fahrenheit et Celsius

La température est préréglée en Fahrenheit, mais elle peut être modifiée et affichée en Celsius.

Pour modifier : Appuyer sur TOOLS (outils), puis sur "1" pour alterner entre réglages de température Fahrenheit et Celsius.

Lorsque la température est en mode Fahrenheit, "°F" apparaît après la température du four.

Lorsque la température est en mode Celsius, "°C" apparaît après la température du four.

Outils

(modèles de fours combinés)

La touche de sélection des TOOLS (outils) permet d'accéder à 9 fonctions cachées dans les commandes électroniques du four. Ces fonctions cachées permettent d'alterner entre unités Fahrenheit et Celsius pour la température du four, d'activer ou de désactiver les signaux sonores et les messages, d'ajuster le calibrage du four, de choisir la langue et d'activer le mode de démonstration. Le mode Sabbat peut également être programmé en utilisant la touche de sélection TOOLS (outils).

Utilisation : Appuyer sur TOOLS (outils). L'affichage du four fera défiler différents outils, en commençant par 1 et en terminant automatiquement par 9. Vous pouvez également appuyer sur la touche Tools (outils) de façon répétée pour faire défiler manuellement la liste des outils.

OUTILS	FONCTION CACHÉE
1	Conversion Fahrenheit et Celsius
2	Son On/Off (mise en marche/arrêt)
3	Son Élevé/Bas
4	Signal de fin On/Off (activé/désactivé)
5	Calibrage
6	Mode Sabbat
7	Mise en marche/arrêt du plateau rotatif
8	Langue
9	Mode de démonstration

Minuterie de cuisine

La minuterie de cuisine peut être réglée en minutes et secondes ou en heures et minutes et procède à un compte à rebours de la durée réglée.

REMARQUE : La minuterie de cuisine ne met pas en marche le four et ne l'éteint pas.

Réglage :

1. Appuyer sur SET/START (réglage/mise en marche).
Appuyer à nouveau pour passer des MIN/SEC aux HR/MIN.
Si aucune action n'est effectuée, le tableau de commande continue d'attendre l'entrée d'une durée de cuisson.
2. Appuyer sur les touches numériques pour régler la durée.
3. Appuyer sur SET/START (réglage/mise en marche).
Si l'on n'appuie pas sur la touche, la commande continue d'attendre qu'on appuie sur Set/Start (réglage/mise en marche).

Lorsque la durée de cuisson est terminée, 4 signaux sonores de fin de programme retentissent continuellement jusqu'à ce qu'on appuie sur la touche TIMER OFF (arrêt de la minuterie).

4. Appuyer sur TIMER OFF (arrêt de la minuterie) à tout moment pour annuler la minuterie de cuisine ou arrêter les signaux de rappel. Lorsqu'on appuie sur la touche CANCEL (annulation), le four utilisé s'éteint; cependant, la minuterie de cuisine ne peut être arrêtée qu'en utilisant la touche "Timer Off" (arrêt de la minuterie).

Verrouillage des commandes

Le verrouillage des commandes désactive les touches du tableau de commande pour éviter l'utilisation involontaire du ou des fours. Si le verrouillage des commandes a été réglé avant une panne de courant, la fonction reste activée après cette panne de courant.

Lorsque le tableau de commande est verrouillé, seules les touches SET/START (réglage/mise en marche) et TIMER OFF (arrêt de la minuterie) et les touches des lampes du four fonctionnent.

Le verrouillage des commandes est préréglé désactivé, mais peut être activé.

Verrouillage des commandes : Appuyer sur START pendant environ 3 secondes, jusqu'à ce que "Mod Comm Verr" apparaisse sur la ligne de texte inférieure et que l'icône de verrouillage apparaisse sur l'affichage.

Pour déverrouiller les commandes : Répéter pour déverrouiller. "Mod Comm Déverr" s'affiche sur la ligne de texte inférieure et l'icône de verrouillage disparaît.

Commande de la température du four

IMPORTANT : Ne pas utiliser de thermomètre pour mesurer la température du four car l'ouverture de la porte du four peut provoquer des lectures incorrectes.

Le four fournit des températures précises; toutefois, il peut cuire plus rapidement ou plus lentement que votre four précédent, c'est pourquoi le calibrage de la température peut être ajusté. Elle peut être modifiée en degrés Fahrenheit ou Celsius.

Un signe moins signifie que le four sera plus froid du nombre de degrés affiché. L'absence de signe moins signifie que le four sera plus chaud du nombre de degrés affiché. Utiliser le tableau suivant comme guide.

AJUSTEMENT EN °F (CHANGEMENT AUTOMATIQUE EN °C)	CUIT LES ALIMENTS
10°F (6°C)	...un peu plus
20°F (12°C)	...modérément plus
30°F (18°C)	...beaucoup plus
0°F (0°C)	réglage par défaut
-10°F (-6°C)	...un peu moins
-20°F (-12°C)	...modérément moins
-30°F (-18°C)	...beaucoup moins

Ajustement du calibrage de la température du four :

1. Appuyer sur TOOLS (outils), puis sur "5" pour régler le calibrage.
2. Appuyer sur 3 pour augmenter la température ou sur 6 pour la réduire.
3. Appuyer sur START pour arrêter le calibrage.

Mode Sabbat

Le mode Sabbat permet au four de rester sur un réglage de cuisson au four jusqu'à ce qu'on l'éteigne. Un mode Sabbat minuté peut également être programmé pour garder le four allumé seulement pendant une partie du mode Sabbat.

Lorsque le mode Sabbat est programmé, les touches numériques utilisables sont les suivantes : clavier numérique, touche Start (mise en marche), Outils (uniquement pour désactiver une fonction), et touche Cancel (annulation). L'affichage fait défiler les informations concernant la sélection de la température de four souhaitée.

Lorsque le mode Sabbat est programmé, le four supérieur est désactivé et aucune fonction n'est activée. Lorsque la porte du four est ouverte ou fermée, la lampe du four ne s'allume ou ne s'éteint pas et les éléments de chauffage ne s'allument ou ne s'éteignent pas immédiatement.

Si une panne de courant se produit lorsque le mode Sabbat est programmé, le four restera au mode Sabbat mais ne sera plus en mode actif de cuisson. Le témoin lumineux "ON" (mise en marche) ne sera plus allumé. Appuyer sur CANCEL (annulation) pour revenir à un mode de fonctionnement normal (pas de mode Sabbat actif, pas de cuisson).

Activation :

Avant que le mode Sabbat puisse être régulièrement utilisé, le four doit être activé une seule et unique fois.

1. Appuyer sur TOOLS (outils) puis sur la touche numérique "6". "SABBAT ACTIVÉ" apparaît sur l'affichage du four pendant environ 5 secondes.

Désactivation :

Le four peut être désactivé de la capacité à régler le mode Sabbat en répétant les étapes précédentes. Voir la section "Activation". Lorsque le four est désactivé, "SABBAT DÉSACTIVÉ" apparaît et reste sur l'affichage pendant environ 5 secondes. Le mode Sabbat ne peut être programmé régulièrement tant qu'il n'a pas été réactivé.

Pour programmer l'arrêt non minuté de façon régulière :

Le mode Sabbat doit être activé avant de lancer le programme de cuisson au four. Voir la section "Activation".

1. Appuyer sur CUISSON AU FOUR.
Appuyer sur les touches numériques pour entrer une température autre que 350°F (177°C). La température de cuisson au four peut être réglée entre 145°F et 550°F (63°C et 288°C).
2. Appuyer sur START (mise en marche).
3. Appuyer sur TOOLS (outils) puis sur la touche numérique "6". "MODE SABBAT" apparaît sur l'affichage du four inférieur.

Pour programmer l'arrêt minuté de façon régulière :

⚠ AVERTISSEMENT

Risque d'empoisonnement alimentaire

Ne pas laisser des aliments dans un four plus d'une heure avant ou après la cuisson.

Le non-respect de cette instruction peut causer un empoisonnement alimentaire ou une maladie.

Le mode Sabbath doit être activé avant de lancer le programme de cuisson au four. Voir la section "Activation".

1. Appuyer sur CUISSON AU FOUR.

Appuyer sur les touches numériques pour entrer une température autre que 350°F (177°C). La température de cuisson au four peut être réglée entre 145°F et 550°F (63°C et 288°C).

2. Appuyer sur COOK TIME (durée de cuisson).

3. Appuyer sur les touches numériques pour entrer la durée du mode Sabbath, jusqu'à 11 heures 59 minutes.

4. Appuyer sur START (mise en marche). Le four commence un programme de cuisson minuté.

5. Appuyer sur TOOLS (outils) puis sur la touche numérique "6". "MODE SABBAT" apparaît sur l'affichage du four inférieur.

L'heure de mise en marche et d'arrêt apparaissent sur l'affichage du four inférieur.

6. Lorsque l'heure d'arrêt est atteinte, le four s'éteint automatiquement. Le module de commande du four reste en mode Sabbath jusqu'à ce qu'on appuie sur le bouton Cancel (annulation).

Changement de température

La température du four peut être modifiée lorsque le four est au mode Sabbath. Aucun signal sonore ne retentira et l'affichage ne changera pas. Les éléments chauffants ne s'allumeront ou ne s'éteindront pas pendant un certain temps, entre 16 et 24 secondes. Le changement de température du four peut prendre jusqu'à une demi-heure.

Les touches numériques de 1 à 0 représentent les températures. Utiliser le tableau suivant comme guide.

TOUCHE NUMÉRIQUE	TEMPÉRATURE DU FOUR
1	170°F (76°C)
2	200°F (93°C)
3	225°F (107°C)
4	250°F (121°C)
5	300°F (148°C)
6	325°F (162°C)
7	350°F (176°C)
8	375°F (190°C)
9	400°F (204°C)
0	450°F (232°C)

Pour changer la température :

1. Appuyer sur la touche numérique indiquée dans le tableau.
2. Appuyer sur START (mise en marche).

UTILISATION DU FOUR

Les odeurs et la fumée sont normales lorsque le four est utilisé pour les premières fois, ou lorsqu'il est très sale.

Lors de l'utilisation du four, les éléments chauffants ne resteront pas allumés, mais fonctionneront par intermittence lorsque le four est en marche.

IMPORTANT : La santé de certains oiseaux est extrêmement sensible aux émanations de fumée. L'exposition à ces émanations peut causer la mort de certains oiseaux. Toujours déplacer les oiseaux dans une autre pièce fermée et bien aérée.

Papier d'aluminium

IMPORTANT : Pour éviter des dommages permanents au fini du fond du four, ne pas recouvrir le fond du four avec du papier d'aluminium ou un revêtement quelconque.

- Pour assurer une bonne circulation de l'air et des résultats de cuisson optimaux, ne pas recouvrir la grille entière de papier d'aluminium.
- Pour récupérer les renversements, placer une feuille de papier d'aluminium sur la grille sur laquelle le plat est placé. Veiller à ce que la feuille d'aluminium dépasse d'au moins 1/2" (1,3 cm) tout autour du plat et à ce que les bords soient relevés.

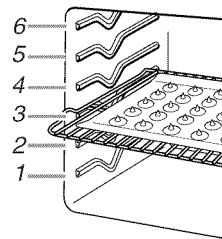
Positionnement des grilles et des ustensiles de cuisson au four

IMPORTANT : Afin d'éviter des dommages permanents au fini en porcelaine, ne pas placer d'aliments ou d'ustensiles de cuisson au four directement sur la porte ou sur le fond du four.

GRILLES

- Placer les grilles avant d'allumer le four.
- Ne pas installer les grilles lorsque des ustensiles de cuisson au four se trouvent dessus.
- S'assurer que les grilles sont d'aplomb.

Pour déplacer une grille, la tirer jusqu'à la butée d'arrêt, soulever le rebord avant et la tirer pour la sortir du four. Se servir de l'illustration et du tableau suivants comme guide.



Cuisson traditionnelle

ALIMENT	POSITION DE LA GRILLE*
Gros rôtis, dindes, gâteaux des anges et gâteaux Bundt, pains éclairs, tartes	1 ou 2
Pains à la levure, mets en sauce, viande et volaille	2
Biscuits, muffins et gâteaux	2 ou 3 pour une cuisson au four sur une seule grille; 2f et 5f pour une cuisson au four sur plusieurs grilles

Cuisson par convection

RÉGLAGE DU FOUR	NOMBRE DE GRILLES UTILISÉES	POSITION(S) DE LA GRILLE
Cuisson au four avec préchauffage rapide	1	3
Cuisson au four par convection avec préchauffage rapide	1	3
Cuisson au four par convection	1	1, 2 ou 3
Cuisson au four par convection	2	2 et 5
Cuisson au four par convection	3	1ro, 3 et 5 ou 1ro, 4 et 6
Rôtissage par convection	1	1 ou 2
Cuisson au gril par convection	1	4, 5 ou 6

REMARQUE : Un "f" placé après un numéro de position de grille indique que l'on doit utiliser la grille plate, et un "ro" que l'on doit utiliser la grille déployante.

Positions de grilles pour fours avec et sans convection

Cuisson au four sur 1 grille : 3f, Cuisson au four et Cuisson au four par convection (préchauffage rapide et standard)

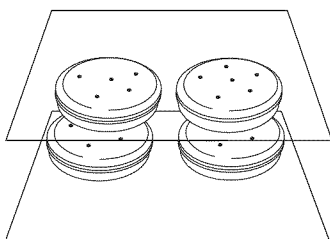
Cuisson au four sur 2 grilles : 2f et 5f, Cuisson au four et Cuisson au four par convection (préchauffage standard)

Cuisson au four sur 3 grilles : 1ro, 3f, 5f ou 1ro, 4f, 6f; Cuisson au four par convection (préchauffage standard)

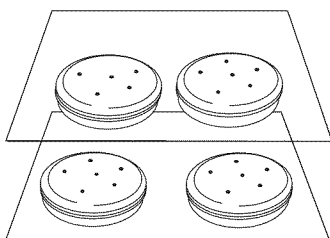
Rôtissage de petits morceaux de viande et de volaille : 2f, Cuisson au four et rôtissage par convection

Rôtissage de gros morceaux de viande et de volaille : 1ro, Cuisson au four et rôtissage par convection

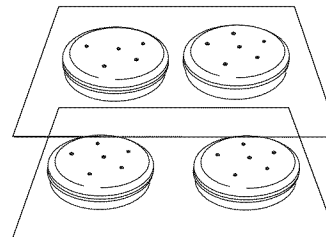
Pour des résultats optimaux lors de la cuisson de gâteaux au mode de cuisson au four dans les modèles de four sans convection, utiliser les grilles 2f ou 4f. Placer les gâteaux sur les grilles tel qu'indiqué.



Pour des résultats optimaux lors de la cuisson au four de gâteaux sur 2 grilles au mode de cuisson au four sur les modèles de four avec convection, utiliser les grilles 1ro et 5f, ou 2f et 5f. Placer les gâteaux sur les grilles tel qu'indiqué.



Pour des résultats optimaux lors de la cuisson au four de gâteaux sur 2 grilles au mode de cuisson au four sur les modèles de four avec convection, utiliser les grilles 2f et 5f. Placer les gâteaux sur les grilles tel qu'indiqué.



USTENSILES DE CUISSON AU FOUR

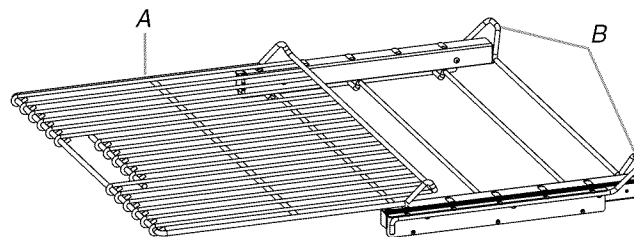
L'air chaud doit pouvoir circuler autour de l'aliment pour le cuire uniformément. Pour une cuisson traditionnelle, laisser 2" (5 cm) entre les ustensiles de cuisson et les parois du four. Pour une cuisson par convection, laisser 1" (2,5 cm) entre les ustensiles de cuisson et les parois du four. Utiliser le tableau suivant comme guide.

NOMBRE D'USTENSILES	POSITION SUR LA GRILLE
1	Centre de la grille.
2	Côte à côte ou légèrement décalés.
3 ou 4	Positionnement idéal pour des résultats optimaux. Voir les illustrations de position de grille dans cette section pour connaître le positionnement recommandé pour les plats.

Grille déployante SatinGlide™

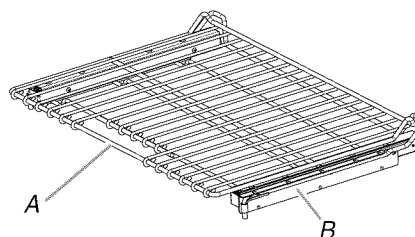
La grille déployante SatinGlide™ offre un accès facile à l'utilisateur pour le positionnement et le retrait des aliments. Elle peut être utilisée avec les positions de grille 1 à 4. La grille déployante SatinGlide™ ne convient pas à la position 5.

Position déployée



A. Grille déployante SatinGlide™
B. Grille coulissante

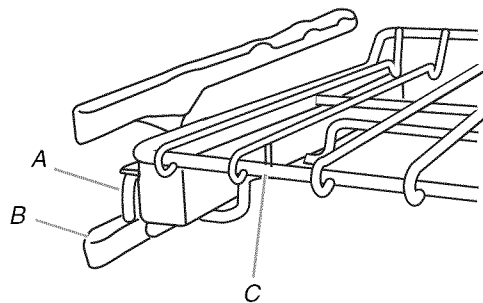
Position rétractée et emboîtée



A. Grille déployante SatinGlide™
B. Grille coulissante

Retrait de la grille déployante SatinGlide™ :

1. Enfoncer la grille complètement en la faisant glisser jusqu'à ce qu'elle soit rétractée et emboîtée sur la grille coulissante.
2. Avec les 2 mains, soulever le rebord avant de la grille et repousser la grille coulissante vers la paroi arrière du four de façon à ce que le rebord avant de la grille coulissante repose sur les rails pour grille. Le rebord avant de la grille et de la grille coulissante doivent se trouver plus haut que le rebord arrière.



A. Grille coulissante
B. Rail pour grille
C. Grille déployante SatinGlide™

3. Retirer la grille et la grille coulissante.

Réinstallation de la grille déployante SatinGlide™

1. Avec les 2 mains, saisir l'avant de la grille et de la grille coulissante rétractées. Placer la grille et la grille coulissante rétractées sur le rail pour grille.
2. Avec les 2 mains, soulever le rebord avant de la grille et de la grille coulissante en même temps.
3. Pousser lentement la grille et la grille coulissante vers l'arrière du four jusqu'à ce que le rebord arrière de la grille chevauche l'extrémité du rail pour grille.

Afin d'éviter d'endommager les grilles coulissantes, ne pas placer plus de 25 lb (11,4 kg) sur la grille.

Ne pas nettoyer la grille déployante SatinGlide™ au lave-vaisselle. Ceci pourrait enlever le lubrifiant de la grille et affecter la capacité de celle-ci à glisser.

Voir la section "Nettoyage général" pour plus de renseignements.

Ustensiles de cuisson au four

Le matériau des ustensiles de cuisson au four affecte les résultats de cuisson. Suivre les recommandations du fabricant et utiliser le format d'ustensiles recommandé dans la recette. Se servir du tableau suivant comme guide.

USTENSILES DE CUISSON RECOMMANDATIONS AU FOUR/RÉSULTATS

Aluminium légèrement coloré	<ul style="list-style-type: none"> ■ Utiliser la température et la durée recommandées dans la recette.
<ul style="list-style-type: none"> ■ Croûtes dorées, légères ■ Brunissage uniforme 	
Aluminium foncé et autres ustensiles de cuisson au four avec fini foncé, terne et/ou antiadhésif	<ul style="list-style-type: none"> ■ Peut nécessiter de réduire légèrement les températures de cuisson. ■ Utiliser la durée de cuisson suggérée. ■ Pour les tartes, pains et mets en sauce, utiliser la température recommandée dans la recette. ■ Placer la grille au centre du four.
<ul style="list-style-type: none"> ■ Croûtes brunes, croustillantes 	

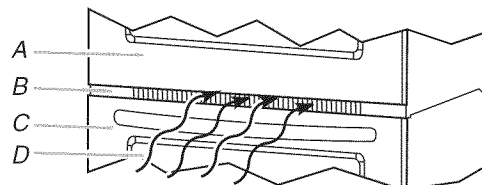
USTENSILES DE CUISSON RECOMMANDATIONS AU FOUR/RÉSULTATS

Tôles à biscuits ou moules à cuisson à isolation thermique	<ul style="list-style-type: none"> ■ Suivre les recommandations de positionnement de grille dans la section "Positionnement des grilles et ustensiles de cuisson au four". ■ Peut nécessiter d'augmenter le temps de cuisson.
<ul style="list-style-type: none"> ■ Brunissage faible ou non existant à la base 	
Acier inoxydable	<ul style="list-style-type: none"> ■ Peut nécessiter d'augmenter le temps de cuisson.
<ul style="list-style-type: none"> ■ Croûtes dorées, légères ■ Brunissage inégal 	
Plats en grès/Pierre de cuisson	<ul style="list-style-type: none"> ■ Suivre les instructions du fabricant.
<ul style="list-style-type: none"> ■ Croûtes croustillantes 	
Plats en verre, vitrocéramique ou céramique allant au four	<ul style="list-style-type: none"> ■ Peut nécessiter de réduire légèrement la température de cuisson.
<ul style="list-style-type: none"> ■ Croûtes brunes, croustillantes 	

Thermomètre à viande

Tous les modèles ne sont pas équipés d'une sonde thermométrique. Sur les modèles dépourvus d'une sonde thermométrique, utiliser un thermomètre à viande pour déterminer si la cuisson de la viande, de la volaille ou du poisson correspond au degré de cuisson souhaité. C'est la température interne et non l'apparence qui permet de déterminer le degré de cuisson.

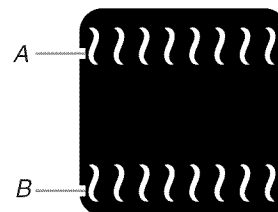
Évent du four



A. Four à micro-ondes supérieur
B. Évent du four
C. Four inférieur
D. Air chaud

Ne pas obstruer ni couvrir l'évent du four car il permet à l'air chaud et à l'humidité de s'échapper du four. Le fait d'obstruer ou de couvrir l'évent du four inférieur nuit à la circulation adéquate de l'air et affecte les résultats de cuisson et de nettoyage.

Cuisson au four et rôtissage



A. Éléments de cuisson au gril
B. Élément de cuisson au four

Durant la cuisson au four ou le rôtissage, les éléments de cuisson au four et de cuisson au gril s'allument et s'éteignent par intermittence afin de maintenir la température du four.

Selon le modèle, si la porte du four est ouverte pendant la cuisson au four ou le rôtissage, les éléments chauffants (cuisson au four et au gril) s'éteignent environ 30 secondes après l'ouverture de la porte. Ils se mettront de nouveau en marche environ 30 secondes après la fermeture de la porte.

En fonction du modèle, le ventilateur et l'élément de convection peuvent fonctionner durant le mode de cuisson au four.

Cuisson au four ou rôtissage :

Avant la cuisson au four ou le rôtissage, placer les grilles tel qu'indiqué à la section "Positionnement des grilles et des ustensiles de cuisson". Lors du rôtissage, il n'est pas nécessaire d'attendre le préchauffage du four avant d'y placer l'aliment, sauf si la recette le recommande.

En fonction du modèle, le ventilateur et l'élément de convection peuvent fonctionner durant la cuisson au four.

1. Appuyer sur CUISSON AU FOUR.

Appuyer sur les touches numériques pour entrer une température autre que 350°F (177°C). La température de cuisson au four peut être réglée entre 145°F et 550°F (63°C et 288°C).

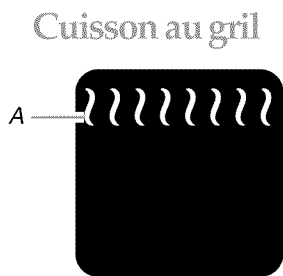
2. Appuyer sur START (mise en marche).

"Lo°" apparaît sur l'affichage du four si la température réelle du four est inférieure à 100°F (38°C) et si "Préchauffage" apparaît dans la zone inférieure de l'affichage.

Lorsque la température réelle du four atteint 100°F (38°C), l'affichage du four commence à indiquer la température alors qu'elle augmente.

Lorsque la température réglée est atteinte, un signal sonore se fait entendre (si activé).

3. Appuyer sur CANCEL (annulation) à la fin de la cuisson.



A. Cuisson au gril

La cuisson au gril utilise la chaleur radiante directe pour cuire les aliments.

Le ou les élément(s) s'allument et s'éteignent par intermittence pour maintenir la température du four.

Si la porte du four est ouverte pendant la cuisson au gril, le ou les élément(s) du gril s'éteindront au bout d'environ 30 secondes. Lorsqu'on ferme la porte du four, les éléments se réactivent environ 30 secondes plus tard.

- Pour de meilleurs résultats, utiliser une lèchefrite et une grille. La lèchefrite est conçue pour laisser s'écouler les jus et aider à éviter les éclaboussures et la fumée.

Il est possible de commander un ensemble de lèchefrite. Voir la section "Assistance ou service" pour commander.

- Pour que l'écoulement puisse se faire correctement, ne pas recouvrir la grille de papier d'aluminium. Le fond de la lèchefrite peut être garni de papier d'aluminium pour en faciliter le nettoyage.

- Enlever l'excès de graisse pour réduire les éclaboussures. Entailler le gras résiduel sur les côtés pour éviter que la viande ne se recroqueville.

- Sortir la grille jusqu'à la butée d'arrêt avant de tourner ou d'enlever les aliments. Utiliser une pince pour tourner les aliments et éviter la perte de jus. Il est possible qu'il ne soit pas nécessaire de tourner les coupes très minces de poisson, de volaille ou de viande.
- Après la cuisson au gril, sortir la lèchefrite du four en même temps que l'aliment. Ce qui reste au fond de la lèchefrite cuira si on la laisse dans le four encore chaud, rendant le nettoyage plus difficile.

Cuisson au gril :

Avant la cuisson au gril, placer la grille tel qu'indiqué dans le tableau de cuisson au gril.

Pendant la cuisson au gril, le changement de température permet un contrôle plus précis. Plus la température est basse, plus la cuisson est lente. Les morceaux épais et de forme irrégulière de viande, de poisson et de volaille cuisent mieux à des températures de cuisson au gril plus basses.

Placer l'aliment sur la grille de la lèchefrite, puis placer celle-ci au centre de la grille du four, avec le côté le plus long de la lèchefrite parallèle à la porte du four. Il n'est pas nécessaire de préchauffer le four avant d'y placer l'aliment, sauf si la recette le recommande.

Fermer la porte.

1. Appuyer sur BROIL (cuisson au gril).

Appuyer sur les touches numériques pour entrer une température autre que 550°F (288°C). La température de cuisson au gril peut être réglée entre 450°F et 550°F (232°C et 288°C).

2. Appuyer sur START (mise en marche). Un signal sonore long est émis.

La température du four réglée apparaît sur l'afficheur du four jusqu'à ce que le four soit éteint.

3. Appuyer sur CANCEL (annulation) à la fin de la cuisson.

TABLEAU DE CUISSON AU GRIL

Pour obtenir les meilleurs résultats, placer l'aliment à au moins 3" (7 cm) des éléments du gril; la position de la grille au niveau 4 est recommandée. Pour le schéma, voir la section "Positionnement des grilles et ustensiles de cuisson au four".

Le réglage de température à 550°F (288°C) est recommandé.

Les durées de cuisson sont citées à titre indicatif seulement; on peut les ajuster en fonction des aliments et des goûts personnels.

ALIMENT	POSITION(S) DE LA GRILLE	DURÉE DE CUISSON (en minutes)
Bœuf		
Steak 1" à 1¼" (2,5 à 3 cm) d'épaisseur saignant à point	5f	10-17
à point	5f	12-19
bien cuit	5f	15-24
Porc		
Côtelettes de porc 1" (2,5 cm) d'épaisseur à point	4f ou 5f	15-18

ALIMENT	POSITION(S) DE LA GRILLE	DURÉE DE CUISSON (en minutes)
Agneau		
Côtelettes d'agneau 1" (2,5 cm) d'épaisseur saignant à point à point	4f ou 5f 4f ou 5f	10-12 11-13
Viandes hachées		
Galettes de bœuf haché, de porc ou d'agneau* ¾" (2 cm) d'épaisseur bien cuit	5f ou 6f*	15-18
Poulet		
Poulet morceaux non désossés (2" à 2½" [5 cm à 6,3 cm])	4f	25-35
morceaux désossés (4 oz [113 g])	4f ou 5f	12-15
Poisson		
Darne de poisson de ½" à ¾" (1,25 à 2 cm) d'épaisseur	4f	6-12
Filet	4f	5-10

*Placer jusqu'à 12 galettes, espacées de façon égale, sur la grille de la lèchefrite. Pour que le bœuf soit bien grillé à l'extérieur mais que la cuisson soit bleue à l'intérieur, utiliser la grille 6. La cuisson du premier côté à avoir été grillé devrait prendre environ 2 à 3 minutes. La cuisson du 2e côté devrait prendre environ 5 à 6 minutes. On peut s'attendre à une quantité modérée de fumée durant la cuisson au grill.

Un "f" placé après un numéro de position de grille indique que l'on doit utiliser la grille plate et non la grille déployante.

Cuisson par convection

Dans un four à convection, l'air chaud que fait circuler le ventilateur distribue la chaleur de façon continue et plus uniformément que le mouvement naturel de l'air dans un four thermique standard. Ce déplacement de l'air chaud aide à maintenir une température constante dans tout le four, permettant de cuire les aliments plus uniformément, tout en conservant l'humidité.

La plupart des aliments peuvent être cuits en réduisant les températures de cuisson à 25°F (14°C) et la durée de cuisson peut être réduite jusqu'à 30 pour cent en cas d'utilisation du rôtissage par convection, surtout pour les gros rôtis et dindes.

- Il est important de ne pas couvrir les aliments avec des couvercles ou du papier d'aluminium de telle sorte que la surface reste exposée au déplacement de l'air, permettant ainsi le brunissage et le croustillant.
- Éviter au maximum la perte de chaleur en ouvrant la porte du four seulement lorsque c'est nécessaire.
- Choisir des tôles à biscuits sans bords et des plats de rôtissage à côtés plus bas pour permettre à l'air de circuler librement autour de l'aliment.

- Vérifier la cuisson des aliments quelques minutes avant le temps de cuisson minimum, avec un cure-dents par exemple.

AVERTISSEMENT



Risque de brûlures

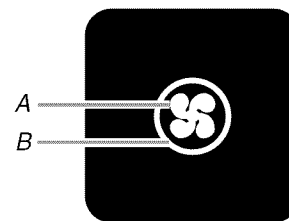
Utiliser des mitaines de four pour retirer la sonde thermométrique.

Ne pas toucher l'élément du grill.

Le non-respect de ces instructions peut causer des brûlures.

- Utiliser un thermomètre à viande ou la sonde thermométrique pour déterminer le degré de cuisson des viandes et de la volaille. Vérifier la température du porc et de la volaille à 2 ou 3 endroits.

Cuisson au four par convection



A. Ventilateur de convection
B. Élément de convection (dissimulé)

L'élément de convection est dissimulé dans le panneau arrière de la cavité du four et assisté par le ventilateur de convection pour assurer un chauffage efficace et équilibré.

La cuisson au four par convection peut être utilisée pour cuire des gâteaux délicats et des pâtisseries ainsi que des aliments sur plusieurs grilles. Il est utile de décaler les articles sur les grilles pour permettre une circulation plus uniforme de la chaleur. Si le four est plein, il faudra peut-être allonger la durée de cuisson.

Lors de la cuisson au four d'un repas comportant plusieurs types différents d'aliments, veiller à choisir des recettes nécessitant des températures semblables. Prévoir un espace d'au moins 1" (2,5 cm) entre l'ustensile de cuisson et les parois du four.

Lors du préchauffage pour la cuisson au four par convection, l'élément de convection, de cuisson au grill et l'élément CleanBake™ chauffent tous la cavité du four. Après le préchauffage, l'élément de convection, l'élément de cuisson au grill et l'élément CleanBake™ s'allument et s'éteignent par intermittence pour maintenir le four à température pendant que le ventilateur fait circuler l'air chaud.

Si la porte du four est ouverte pendant la cuisson au four par convection, le ventilateur s'éteint immédiatement lorsque la porte est ouverte et s'allume immédiatement lorsque la porte est fermée. Les éléments de cuisson par convection, de cuisson au four et de cuisson au grill s'éteignent environ 30 secondes après l'ouverture de la porte. Ils se remettent de nouveau en marche environ 30 secondes après la fermeture de la porte.

- Réduire la température de la recette de 25°F (14°C). Il peut aussi être nécessaire de réduire la durée de cuisson.

Cuisson au four par convection :

Avant la cuisson au four par convection, placer les grilles tel qu'indiqué à la section "Positionnement des grilles et des ustensiles de cuisson". Lors d'une cuisson sur 2 grilles, utiliser les grilles 2 et 4. Lors d'une cuisson sur 3 grilles, utiliser les grilles 1, 3 et 5.

1. Appuyer sur CONVECT BAKE (cuisson au four par convection).
2. Appuyer sur les touches numériques pour décider de si l'on souhaite ou non convertir la recette.
3. Si on sélectionne "1 : Oui", "c.four-convec facile" apparaît sur l'affichage. Appuyer ensuite sur les touches numériques pour entrer une température. La température de cuisson au four par convection peut être réglée entre 170°F et 550°F (77°C et 288°C).

La température du four est automatiquement réduite de 25°F (14°C) pour la cuisson au four EasyConvect™, et la température modifiée apparaît sur l'affichage mais la durée de cuisson n'est pas modifiée.

Appuyer ensuite sur les touches numériques pour entrer une durée de cuisson.

REMARQUE : Si on entre une température comprise entre 170°F (77°C) et 194°F (90°C), l'affichage indique uniquement 170°F (77°C) et non pas la réduction de température.

4. Si on sélectionne "2 : Non", la cuisson au four par convection se poursuit sans conversion. Appuyer sur la touche numérique "1" pour utiliser la fonction de préchauffage rapide ou sur "2" pour poursuivre la cuisson sans préchauffage rapide. Appuyer ensuite sur les touches numériques pour entrer une température.

REMARQUE : La fonction de cuisson au four avec préchauffage rapide convient uniquement à une cuisson au four sur 1 grille.

5. Appuyer sur START (mise en marche).

"Lo" apparaît sur l'affichage du four si la température réelle du four est inférieure à 100°F (38°C) et si "Préchauffage" apparaît dans la zone inférieure de l'affichage.

Lorsque la température réelle du four atteint 100°F (38°C), l'affichage du four indique les augmentations de température.

Lorsque la température réglée est atteinte, un signal sonore se fait entendre (si activé).

6. Appuyer sur CANCEL (annulation) à la fin de la cuisson.

Rôtissage par convection :

Avant le rôtissage par convection, placer les grilles tel qu'indiqué à la section "Positionnement des grilles et des ustensiles de cuisson". Il n'est pas nécessaire de préchauffer le four avant d'y placer l'aliment, sauf si la recette le recommande.

1. Appuyer sur CONVECT ROAST (rôtissage par convection).
2. Appuyer sur les touches numériques pour décider de si l'on souhaite ou non convertir la recette.
3. Si on sélectionne "1 : Oui", "rôtis-convec facile" s'affiche. Appuyer ensuite sur les touches numériques pour entrer une température. La température de rôtissage par convection peut être réglée entre 170°F et 550°F (76°C et 288°C).

Appuyer ensuite sur les touches numériques pour entrer une durée de cuisson. La durée de cuisson est automatiquement ajustée à 80 % de la durée entrée et la durée de cuisson modifiée s'affiche mais la température n'est pas modifiée.

4. Si on sélectionne "2 : Non", le rôtissage par convection se poursuit sans conversion. Appuyer ensuite sur les touches numériques pour entrer une température.
5. Appuyer sur START (mise en marche).

Un signal sonore long est émis.

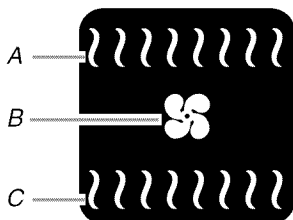
La température du four réglée apparaît sur l'affichage du four jusqu'à ce que le four soit éteint.

6. Appuyer sur CANCEL (annulation) à la fin de la cuisson.

TABLEAU DE RÔTISSAGE PAR CONVECTION

ALIMENTS/ POSITION DE LA GRILLE	DUREE DE CUISSON (min par 1 lb [454 g])	TEMP. DU FOUR	TEMP. INTERNE DES ALIMENTS
Bœuf, position de grille 2			
Rôti de côte			
saignant	20-25	325°F (162°C)	140°F (60°C)
à point	25-30		160°F (71°C)
bien cuit	30-35		170°F (76°C)
Rôti de côte (désossé)			
saignant	22-25	325°F (162°C)	140°F (60°C)
à point	27-30		160°F (71°C)
bien cuit	32-35		170°F (76°C)
Rumsteck, Rôti d'aloyau			
saignant	20-25	325°F (162°C)	140°F (60°C)
à point	25-30		160°F (71°C)
bien cuit	30-35		170°F (76°C)
Veau, position de grille 2			
Longe, côte, rumsteak Rôti			
à point	25-35	325°F (162°C)	160°F (71°C)
bien cuit	30-40		170°F (76°C)
Porc, position de grille 2			
Rôti de longe (désossé)			
	20-25	325°F (162°C)	160°F-170°F (71°C-76°C)
Rôti d'épaule			
	20-30	325°F (162°C)	160°F-170°F (71°C-76°C)
Jambon, position 1 pour grille déployante ou 2 pour grille plate			
Frais (non cuit)			
	30-40	300°F (149°C)	160°F (71°C)
Entièrement-cuit			
	15-25	300°F (149°C)	160°F (71°C)

Rôtissage par convection



A. Élément de cuisson au gril
B. Ventilateur de convection
C. Élément de cuisson au four

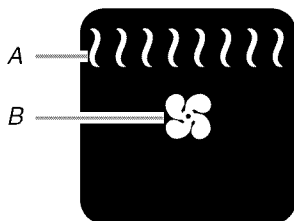
Le rôtissage par convection est utilisé pour le rôtissage des viandes et de la volaille. Durant le rôtissage par convection, les éléments de cuisson au gril, de cuisson par convection et CleanBake™ s'allument et s'éteignent par intermittence pour maintenir le four à température constante, tandis que le ventilateur fait circuler l'air chaud.

Si la porte du four est ouverte pendant le rôtissage par convection, le ventilateur s'éteint immédiatement lorsque la porte est ouverte et s'allume immédiatement lorsque la porte est fermée. Les éléments de cuisson au four, de cuisson au gril et de cuisson par convection s'éteignent environ 30 secondes après l'ouverture de la porte. Ils se remettent en marche environ 30 secondes après la fermeture de la porte.

ALIMENTS/ POSITION DE LA GRILLE	DUREE DE CUISSON (min par 1 lb [454 g])	TEMP. DU FOUR	TEMP. INTERNE DES ALIMENTS
Agneau, position de grille 2			
Gigot, rôti d'épaule			
à point	25-30		160°F (71°C)
bien cuit	30-35	325°F (162°C)	170°F (76°C)
Poulet*, position de grille 2			
Entier			
3 à 5 lb (1,5 à 2,2 kg)	16-20	350/375°F (176/190°C)	180°F (82°C)
5 à 7 lb (2,2 à 3,1 kg)	15-25	350/375°F (176/190°C)	180°F (82°C)
Dinde*, position 1 pour grille déployante ou 2 pour grille plate			
13 lb et moins (5,85 kg)	7-15	325°F (162°C)	180°F (82°C)
Plus de 13 lb (5,85 kg)	8-18	325°F (162°C)	180°F (82°C)

*Ne pas farcir la volaille lors du rôtissage par convection.

Cuisson au gril par convection



A. Chaleur de cuisson au gril
B. Ventilateur de convection

Durant la cuisson au gril par convection, l'élément de cuisson au gril s'allume et s'éteint par intermittence pour maintenir le four à température constante tandis que le ventilateur fait circuler l'air chaud.

La température est préréglée à 550°F (288°C), mais elle peut être modifiée. Les durées de cuisson varient en fonction de la position de la grille et de la température et il peut être nécessaire de les ajuster.

Si l'on ouvre la porte du four pendant la cuisson au gril par convection, le ventilateur s'éteint immédiatement lorsque l'on ouvre la porte et se réactive immédiatement lorsqu'on la referme. Les éléments de cuisson au gril s'éteignent environ 30 secondes après l'ouverture de la porte. Ils se remettent de nouveau en marche environ 30 secondes après la fermeture de la porte.

Cuisson au gril par convection :

Laisser le four préchauffer pendant 5 minutes. Placer l'aliment sur la grille non chauffée de la lèchefrite, puis placer celle-ci au centre de la grille du four, avec le côté le plus long de la lèchefrite parallèle à la porte du four.

Fermer la porte.

- Appuyer sur CONVECT BROIL (cuisson au gril par convection).
Appuyer sur les touches numériques pour entrer une température autre que 550°F (288°C). La température de cuisson au gril par convection peut être réglée entre 450°F et 550°F (232°C et 288°C).
- Appuyer sur START (mise en marche).
La température réglée du four apparaît sur l'affichage du four jusqu'à ce que le four soit éteint.
- Appuyer sur CANCEL (annulation) à la fin de la cuisson.

Levée du pain

La levée du pain prépare la pâte pour la cuisson en activant la levure. Sauf indication contraire de la recette, il est recommandé de procéder à une double levée.

Pour faire lever le pain :

Avant la première levée, placer la pâte dans un moule légèrement graissé et recouvrir de papier ciré, enduit de shortening. Placer sur la grille en position 2, puis placer la lèchefrite en position 1. Voir la section "Positionnement des grilles et ustensiles de cuisson" pour un dessin. Fermer la porte.

- Appuyer sur BREAD PROOF (levée du pain). L'afficheur indique 100°F (38°C).
 - Appuyer sur START (mise en marche).
Laisser la pâte monter jusqu'à doubler de volume; vérifier après 20 à 25 minutes. La durée de levée dépend du type et de la quantité de pâte.
 - Appuyer sur OFF (arrêt) lorsque la levée du pain est terminée.
- Avant la deuxième levée, façonner la pâte, la placer dans un ou des moules et la recouvrir légèrement de pellicule de plastique enduite à l'aide d'un aérosol à cuisson. Reprendre le même placement et suivre les étapes de commande mentionnées ci-dessus. Avant de faire cuire, enlever la pellicule de plastique.

Sonde thermométrique

AVERTISSEMENT



Risque de brûlures

Utiliser des mitaines de four pour retirer la sonde thermométrique.

Ne pas toucher l'élément du gril.

Le non-respect de ces instructions peut causer des brûlures.

La sonde thermométrique mesure précisément la température interne de la viande, de la volaille et des mets en sauce liquides et doit être utilisée pour déterminer le degré de cuisson de la viande et de la volaille. La sonde thermométrique doit être utilisée uniquement avec les fonctions Bake (cuisson au four), Convect Bake (cuisson au four par convection) ou Convect Roast (rôtissage par convection).

Toujours débrancher et retirer la sonde thermométrique du four lorsqu'on retire les aliments.

Utilisation :

Avant de l'utiliser, insérer la sonde à l'intérieur de l'aliment. (Pour les viandes, l'extrémité de la sonde doit se trouver au centre de la partie la plus épaisse de la viande et non dans le gras ou au contact d'un os). Placer les aliments dans le four et connecter la sonde thermométrique à la prise. Maintenir la sonde aussi loin que possible de la source de chaleur. Fermer la porte du four.

REMARQUE : On doit insérer la sonde thermométrique dans l'aliment avant de sélectionner le mode souhaité.

- Appuyer sur les touches numériques pour entrer une température. La température de la sonde correspond à la température interne désirée une fois que l'aliment est cuit. La température peut être réglée entre 110°F et 200°F (43°C et 93°C).

2. Appuyer sur BAKE (cuisson au four), CONVECT BAKE (cuisson au four par convection) ou CONVECT ROAST (rôtissage par convection).
Appuyer sur les touches numériques pour entrer une température autre que celle qui est affichée. La température du four correspond à la température indiquée par la recette.

3. Appuyer sur START (mise en marche).
La température de four réglée apparaîtra sur l'affichage du four pendant la cuisson.
"Lo°" apparaît pour indiquer la température de la sonde jusqu'à ce que la température interne des aliments atteigne 45°F (7°C). L'affichage indique ensuite les augmentations de température.

Lorsque la température de sonde programmée est atteinte, le four s'arrête automatiquement et "Cuisson Terminée" apparaît sur l'affichage du four.

Les signaux sonores de fin de programme se font entendre (si activés), suivis des signaux de rappel à intervalles d'une minute.

4. Appuyer sur CANCEL (annulation) ou ouvrir la porte du four pour effacer l'affichage et/ou arrêter les signaux de rappel.
5. Toujours débrancher et retirer la sonde thermométrique du four lorsqu'on retire les aliments. Le symbole de la sonde restera allumé jusqu'à ce que la sonde soit débranchée.

Pour modifier la température de la sonde durant un programme de cuisson :

1. Débrancher la sonde, la brancher à nouveau, puis fermer la porte du four inférieur.
2. Suivre les étapes 1 à 4 de la section "Utilisation".

Cuisson minutée

AVERTISSEMENT

Risque d'empoisonnement alimentaire

Ne pas laisser des aliments dans un four plus d'une heure avant ou après la cuisson.

Le non-respect de cette instruction peut causer un empoisonnement alimentaire ou une maladie.

La cuisson minutée permet d'allumer le four à une certaine heure de la journée, d'effectuer une cuisson pendant une durée déterminée et/ou d'éteindre le four automatiquement. La mise en marche différée ne doit pas être utilisée pour les aliments tels que pains et gâteaux car ils risquent de ne pas bien cuire.

Réglage d'une durée de cuisson :

1. Appuyer sur BAKE (cuisson au four), CONVECT BAKE (cuisson au four par convection) ou CONVECT ROAST (rôtissage par convection).
Appuyer sur les touches numériques pour entrer une température autre que celle qui est affichée.
La cuisson minutée peut également être utilisée avec la fonction Levée du pain, mais la température n'est pas modifiable.
2. Appuyer sur COOK TIME (durée de cuisson).
3. Appuyer sur les touches numériques pour entrer la durée de cuisson.

4. Appuyer sur START (mise en marche).

Le compte à rebours en minutes apparaîtra sur l'affichage du four. L'heure de début et de fin ne s'affichent pas avant la fin du préchauffage du four.

Lorsque l'heure d'arrêt est atteinte, le four s'arrête automatiquement et "Cuisson Terminée" apparaît sur l'affichage du four.

Les signaux sonores de fin de programme se font entendre (si activés), suivis des signaux de rappel à intervalles d'une minute.

5. Appuyer sur CANCEL (annulation) ou ouvrir et refermer la porte du four pour effacer l'affichage et/ou arrêter les signaux de rappel.

Réglage de la durée de cuisson et de l'heure d'arrêt :

Avant le réglage, s'assurer que l'horloge est réglée à l'heure exacte. Voir la section "Horloge".

1. Appuyer sur BAKE (cuisson au four), CONVECT BAKE (cuisson au four par convection) ou CONVECT ROAST (rôtissage par convection).
Appuyer sur les touches numériques pour entrer une température autre que celle qui est affichée.
La cuisson minutée peut également être utilisée avec la fonction Levée du pain, mais la température n'est pas modifiable.
2. Appuyer sur COOK TIME (durée de cuisson).
3. Appuyer sur les touches numériques pour entrer la durée de cuisson.
4. Appuyer sur STOP TIME (heure d'arrêt).
5. Appuyer sur les touches numériques pour entrer l'heure d'arrêt.
6. Appuyer sur START (mise en marche).

L'heure de mise en marche est calculée et affichée automatiquement.

"DELAY" (différer) et l'heure d'arrêt apparaissent aussi sur l'affichage du four.

Lorsque l'heure de mise en marche est atteinte, le four s'allume automatiquement. Le compte à rebours en minutes apparaîtra sur l'affichage du four.

Lorsque l'heure d'arrêt est atteinte, le four s'arrête automatiquement et "Cuisson Terminée" apparaît sur l'affichage du four.

Les signaux sonores de fin de programme se font entendre (si activés), suivis des signaux de rappel à intervalles d'une minute.

7. Appuyer sur CANCEL (annulation) ou ouvrir et refermer la porte du four pour effacer l'affichage et/ou arrêter les signaux de rappel.

ENTRETIEN DU FOUR

Programme d'autonettoyage à haute température

AVERTISSEMENT



Risque de brûlures

Ne pas toucher le four au cours du programme d'autonettoyage.

Garder les enfants loin du four au cours du programme d'autonettoyage.

Le non-respect de ces instructions peut causer des brûlures.

IMPORTANT: Les émanations produites au cours du programme d'autonettoyage à haute température peuvent mettre en danger la santé de certains oiseaux. L'exposition aux émanations peut entraîner la mort de certains oiseaux. Toujours déplacer les oiseaux dans une autre pièce fermée et bien aérée.

Procéder à l'autonettoyage du four avant qu'il ne devienne très sale. Les saletés intenses nécessitent un nettoyage plus long et dégagent plus de fumée.

Veiller à ce que la cuisine soit bien aérée pendant le programme d'autonettoyage à haute température afin d'aider à éliminer la chaleur, les odeurs et la fumée.

Ne pas obstruer le ou le(s) évent(s) du four durant le programme d'autonettoyage à haute température. L'air doit pouvoir circuler librement. Selon votre modèle, voir la section "Événement du four" ou "Événements du four".

Ne pas nettoyer, frotter, endommager ou déplacer le joint d'étanchéité de la porte du four. Le joint de la porte est essentiel pour une bonne étanchéité.

Préparation du four :

- Sortir du four la lèchefrite, la grille et les ustensiles de cuisson au four et, sur certains modèles, la sonde thermométrique.
- Sortir les grilles du four pour les garder brillantes et pour qu'elles glissent facilement. Voir la section "Nettoyage général" pour plus de renseignements.
- Enlever tout papier d'aluminium du four; celui-ci risquerait de brûler ou de fondre et d'endommager le four.
- Nettoyer manuellement l'intérieur de la porte et une zone de 1½" (3,8 cm) sur le pourtour du cadre de la cavité du four, en prenant soin de ne pas déplacer ni plier le joint d'étanchéité. Cette zone ne chauffe pas assez au cours du programme d'autonettoyage à haute température pour pouvoir éliminer la saleté. Ne pas laisser de l'eau, un nettoyant, etc. pénétrer dans les fentes du cadre de la porte. Nettoyer avec un chiffon humide.
- Essuyer toute saleté décollée afin de réduire la fumée et d'éviter les dommages. À des températures élevées, les aliments réagissent avec la porcelaine. Cette réaction peut causer des taches, des attaques, des piqûres ou de légères taches blanches. Ceci est normal et n'affecte pas la performance de cuisson.

Comment fonctionne le programme

IMPORTANT : Le chauffage et le refroidissement de la porcelaine sur l'acier dans le four peuvent causer une décoloration, une perte de lustre, des fissures minuscules et des craquements.

Le programme d'autonettoyage à haute température utilise des températures très élevées, brûlant les saletés pour les réduire en cendre.

Le four est pré-réglé pour un programme de nettoyage de 4 heures et 30 minutes, mais la durée peut être modifiée. Les durées de nettoyage suggérées sont de 3 heures et 30 minutes pour des saletés légères et entre 4 heures et 30 minutes et 5 heures et 30 minutes pour des saletés moyennes à abondantes.

Utiliser le tableau ci-dessous comme guide pour déterminer le niveau de nettoyage désiré.

NIVEAU DE NETTOYAGE	DURÉE DE NETTOYAGE TOTALE (comprend 30 minutes de temps de refroidissement)
1 (Rapide)	3 heures 30 minutes
2 (Normal)	4 heures 30 minutes
3 (Maximum)	5 heures 30 minutes

Lorsque le four a complètement refroidi, retirer la cendre avec un chiffon humide. Afin d'éviter de briser le verre, ne pas appliquer de chiffon humide et froid sur la partie interne du hublot de la porte avant qu'il n'ait complètement refroidi.

Les lampes du four ne fonctionnent pas durant le programme d'autonettoyage à haute température.

Sur les modèles à double four, seul un four à la fois peut effectuer un autonettoyage. Lorsqu'un four effectue un programme d'autonettoyage à haute température, l'autre four ne peut être ni programmé, ni allumé.

Sur les modèles de four combinés, s'assurer que le four à micro-ondes est éteint. Le four à micro-ondes est désactivé lorsque le four effectue un programme d'autonettoyage.

REMARQUE : Le four possède un moteur de ventilateur de refroidissement à 2 vitesses. Pendant l'autonettoyage, le(s) ventilateur(s) fonctionnera(ont) à la vitesse la plus élevée pour augmenter le flux d'air et faciliter l'évacuation de l'air chaud à travers les événements du four. Une augmentation du bruit peut être constatée pendant et après le programme d'autonettoyage jusqu'au refroidissement du four.

Pour démarrer l'autonettoyage à haute température :

Avant de démarrer l'autonettoyage à haute température, s'assurer que la porte est complètement fermée sinon elle ne se verrouillera pas et le programme ne commencera pas.

1. Appuyer sur SELF CLEAN (autonettoyage). Appuyer sur SELF CLEAN (autonettoyage) de façon répétée pour régler une durée de nettoyage autre que 4 heures 30 minutes. La durée de nettoyage peut être réglée entre 3 heures et 30 minutes et 5 heures et 30 minutes.

Les touches numériques ne peuvent être utilisées pour régler une durée de nettoyage.

2. Appuyer sur START (mise en marche).

La porte du four se verrouille et "Verrouillage porte" s'affiche. Si l'on ouvre la porte à ce moment-là, le programme d'autonettoyage sera annulé. "Porte verrouillée" s'affiche une fois la porte verrouillée. L'heure de mise en marche et d'arrêt apparaissent ensuite sur l'affichage du four.

Lorsque le programme est terminé et que le four est froid, "fin autonettoyage" apparaît sur l'affichage du four et "PORTE VERROUILLÉE" disparaît. La porte ne se déverrouille pas tant que le four n'a pas refroidi.

3. Appuyer sur CANCEL (annulation) ou ouvrir et refermer la porte du four ou la fermer pour effacer l'affichage du four.

Pour différer l'heure de démarrage de l'autonettoyage à haute température :

Avant de différer le démarrage de l'autonettoyage à haute température, s'assurer que l'horloge est réglée à l'heure exacte. Voir la section "Horloge". S'assurer également que la porte est complètement fermée sinon elle ne se verrouillera pas et le programme ne commencera pas.

1. Appuyer sur SELF CLEAN (autonettoyage). Appuyer sur SELF CLEAN (autonettoyage) de façon répétée pour régler une durée de nettoyage autre que 4 heures 30 minutes. La durée de nettoyage peut être réglée entre 3 heures et 30 minutes et 5 heures et 30 minutes.

Les touches numériques ne peuvent être utilisées pour régler une durée de nettoyage.

2. Appuyer sur STOP TIME (heure d'arrêt).
3. Appuyer sur les touches numériques pour entrer l'heure d'arrêt.
4. Appuyer sur START (mise en marche).

L'heure de mise en marche est calculée et affichée automatiquement.

La porte ne se verrouille pas tant que l'heure de mise en marche n'a pas été atteinte.

Lorsque l'heure de mise en marche est atteinte, le four s'allume automatiquement. La porte du four se verrouille et "Verrouillage porte" s'affiche. Si l'on ouvre la porte à ce moment-là, le programme d'autonettoyage sera annulé. "Porte verrouillée" s'affiche une fois la porte verrouillée.

Lorsque le programme est terminé et que le four est froid, "autonettoyage terminé" apparaît sur l'affichage du four et "PORTE VERROUILLÉE" disparaît. La porte ne se déverrouille pas tant que le four n'a pas refroidi.

5. Appuyer sur CANCEL (annulation) ou ouvrir et refermer la porte du four ou la fermer pour effacer l'affichage du four.

Pour arrêter l'autonettoyage à haute température à tout moment :

Appuyer sur CANCEL (annulation). Si la température du four est trop élevée, la porte reste verrouillée. Elle ne se déverrouille pas tant que le four n'a pas refroidi.

Nettoyage général

IMPORTANT : Avant le nettoyage, s'assurer que toutes les commandes sont désactivées et que le four a refroidi. Toujours suivre les instructions sur les étiquettes des produits de nettoyage.

Du savon, de l'eau et un chiffon doux ou une éponge sont recommandés à moins d'indication contraire.

ACIER INOXYDABLE (sur certains modèles)

Pour éviter d'endommager les surfaces en acier inoxydable, ne pas utiliser de tampons à récurer savonneux, de nettoyants abrasifs, de crème à polir pour table de cuisson, de tampons en laine d'acier, de chiffons de lavage rudes ou certains essuie-tout abrasifs.

Méthode de nettoyage :

Frotter dans la direction du grain pour éviter les dommages.

- Nettoyant pour acier inoxydable affresh™ - Pièce n° W10355016 (non fournie) ou chiffons pour acier inoxydable affresh™ - Pièce n° W10355049 (non fournie) :

Voir la section "Assistance ou service" pour placer une commande.

- Détergent liquide ou nettoyant tout-usage :

Rincer à l'eau propre et sécher avec un chiffon doux sans charpie.

EXTÉRIEUR DE LA PORTE DU FOUR

Méthode de nettoyage :

- Nettoyant à vitre et chiffon doux ou éponge :

Appliquer le nettoyant à vitre sur un chiffon doux ou une éponge, et non pas directement sur le tableau.

- Nettoyant pour cuisine et appareils ménagers affresh™ Pièce numéro W10355010 (non fournie) :

Voir la section "Assistance ou service" pour placer une commande.

INTÉRIEUR DE LA PORTE DU FOUR

Méthode de nettoyage :

- Programme d'autonettoyage :

Pour un nettoyage optimal de la porte, essuyer tout dépôt avec une éponge humide avant de lancer le programme.

TABLEAU DE COMMANDE

Pour éviter d'endommager le tableau de commande, ne pas utiliser, de nettoyants abrasifs, de tampons en laine d'acier, de chiffons de lavage rudes ou certains essuie-tout abrasifs.

Méthode de nettoyage :

- Nettoyant à vitre et chiffon doux ou éponge :

Appliquer le nettoyant à vitre sur un chiffon doux ou une éponge, et non pas directement sur le tableau.

- Nettoyant pour cuisine et appareils ménagers affresh™ Pièce numéro W10355010 (non fournie) :

Voir la section "Assistance ou service" pour placer une commande.

CAVITÉ DU FOUR

Ne pas utiliser de nettoyants à four.

Les renversements d'aliments doivent être nettoyés lorsque le four a refroidi. À des températures élevées, les aliments réagissent avec la porcelaine et cette réaction peut causer de légères taches blanches, des taches intenses ou des piqûres.

Méthode de nettoyage :

- Programme d'autonettoyage : Voir d'abord "Programme d'autonettoyage".

GRILLES DE FOUR

Méthode de nettoyage :

- Programme d'autonettoyage :

Voir d'abord "Programme d'autonettoyage". Sortir les grilles sinon elles se décolorent et glisseront plus difficilement. Le cas échéant, une légère couche d'huile végétale appliquée sur les glissières facilitera le glissement des grilles.

- Tampon en laine d'acier

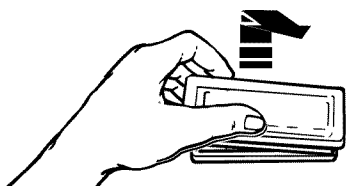
Lampes du four

Les lampes du four sont des ampoules à halogène de 120 volts, 5 watts maximum. Elles s'allument à l'ouverture de la porte du four. Sur les modèles à double four, les lampes supérieure et inférieure s'allument lorsque l'une des deux portes est ouverte. Les lampes du four ne fonctionnent pas durant le programme d'autonettoyage. Tandis que la porte du four est fermée, appuyer sur le symbole de lampe du four pour allumer ou éteindre la lampe.

Changement d'une ampoule :

Avant de procéder au remplacement, s'assurer que le four est éteint et froid.

1. Déconnecter la source de courant électrique.
2. Ôter le couvercle en verre de la lampe en saisissant le bord avant et en tirant pour l'écarter du four.



3. Ôter l'ampoule de la douille.
4. Remplacer l'ampoule en la manipulant avec un mouchoir de papier ou des gants de coton. Pour éviter d'endommager ou de réduire la longévité de l'ampoule neuve, ne pas toucher l'ampoule avec les doigts nus.
5. Réinstaller le couvercle de l'ampoule en l'emboîtant dans la paroi.
6. Reconnecter la source de courant électrique.

Porte du four

IMPORTANT :

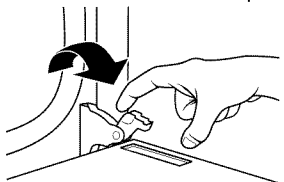
Pour éviter de briser la vitre de la porte du four :

- Ne pas fermer la porte du four si les grilles ne sont pas complètement insérées dans la cavité du four ou lorsque les ustensiles de cuisson dépassent à l'avant d'une grille du four.
- Ne pas entreposer d'objets sur la vitre de la porte du four.
- Ne pas heurter la vitre avec des ustensiles de cuisson ou d'autres objets.
- Ne pas essayer les vitres avant que le four n'ait complètement refroidi.

Il n'est pas recommandé d'enlever la porte du four pour une utilisation normale. Toutefois, s'il est nécessaire de l'enlever, s'assurer que le four est éteint et froid. Puis suivre ces instructions. La porte du four est lourde.

Dépose :

1. Ouvrir la porte du four complètement.
2. Relever le verrou de charnière de chaque côté.



3. Fermer la porte du four le plus complètement possible.

4. Soulever la porte du four tout en la retenant de chaque côté. Continuer de maintenir la porte du four fermée et l'éloigner du châssis de la porte du four.



Réinstallation :

1. Insérer les deux bras de suspension dans la porte.



2. Ouvrir la porte du four. Vous devriez entendre un déclic alors que la porte est mise en place.
3. Remettre les leviers des charnières à la position verrouillée. S'assurer que la porte peut s'ouvrir et se fermer. Sinon, répéter les procédures de dépose et d'installation.

DÉPANNAGE

Essayer les solutions suggérées ici d'abord afin d'éviter le coût d'une visite de service non nécessaire.

Rien ne fonctionne

- **Un fusible est-il grillé ou le disjoncteur s'est-il déclenché?**
Remplacer le fusible ou réenclencher le disjoncteur. Si le problème persiste, appeler un électricien.
- **L'appareil est-il correctement raccordé?**
Voir les instructions d'installation.

Le four ne fonctionne pas

- **La commande électronique du four est-elle correctement réglée?**
Voir la section "Commande électronique du four".
- **Une mise en marche différée a-t-elle été réglée?**
Voir la section "Cuisson minutée".
- **Le verrouillage des commandes est-il réglé?**
Voir la section "Verrouillage des commandes".
- **Le mode Sabbath est-il réglé?**
Voir la section "Mode Sabbath".
- **Sur les modèles à double four, un des fours est-il en train d'effectuer un programme d'autonettoyage?**
Lorsqu'un four effectue un programme d'autonettoyage, l'autre four ne peut pas être réglé ou allumé.
- **Sur les modèles à double four, a-t-on sélectionné le bon four?**
Choisir d'abord UPPER OVEN (four supérieur) ou LOWER OVEN (four inférieur).

La température du four est trop élevée ou trop basse

- **Le calibrage de la température du four a-t-il besoin d'être ajusté?**

Voir la section "Commande de la température du four".

De l'air chaud s'échappe de l'évent du four

- Il est normal que de l'air chaud s'échappe de l'évent du four. Pendant un programme d'auto-nettoyage, le flux d'air augmente.

L'affichage indique des messages

- **L'affichage indique-t-il une lettre suivie d'un chiffre?**

Effacer l'affichage. Voir la section "Affichage(s)". S'il réapparaît, faire un appel de service. Voir la section "Assistance ou service".

Le programme d'autonettoyage ne fonctionne pas

- **La porte du four est-elle ouverte?**
Fermer la porte du four complètement.
- **La fonction a-t-elle été entrée?**
Voir la section "Programme d'autonettoyage".
- **Sur certains modèles, un programme d'autonettoyage à mise en marche différée a-t-il été réglé?**
Voir la section "Programme d'autonettoyage".
- **Une mise en marche différée a-t-elle été réglée?**
Voir la section "Cuisson minutée".
- **Sur les modèles à double four, un des fours est-il en train d'effectuer un programme d'autonettoyage?**
Lorsqu'un four effectue un programme d'autonettoyage, l'autre four ne peut pas être réglé pour un programme d'autonettoyage.

Les résultats de cuisson au four ne sont pas les résultats prévus

- **La température correcte est-elle réglée?**
Contre-vérifier la recette dans un livre de recettes fiable.
- **La température correcte du four est-elle réglée?**
Voir la section "Commande de la température du four".
- **Le four a-t-il été préchauffé?**
Voir la section "Cuisson au four et rôtissage".
- **Utilise-t-on un ustensile de cuisson au four approprié?**
Voir la section "Ustensiles de cuisson".
- **Les grilles sont-elles en bonne position?**
Voir la section "Positionnement des grilles et des ustensiles de cuisson".
- **Existe-t-il une circulation d'air appropriée autour des ustensiles de cuisson?**
Voir la section "Positionnement des grilles et des ustensiles de cuisson".
- **La pâte est-elle distribuée uniformément dans le plat?**
Vérifier que la pâte est répartie uniformément dans le plat.
- **Utilise-t-on une durée de cuisson appropriée?**
Ajuster la durée de cuisson.
- **La porte a-t-elle été ouverte pendant la cuisson?**
L'ouverture de la porte pour vérifier la cuisson laisse la chaleur du four s'échapper et peut nécessiter des durées de cuisson plus longues.
- **Les articles cuits au four sont-ils trop bruns à la base?**
Déplacer la grille à une position plus élevée dans le four.
- **Les bords des croûtes de tarte ont-ils bruni trop tôt?**
Utiliser du papier d'aluminium pour couvrir le bord de la croûte et/ou réduire la température de cuisson du four.

ASSISTANCE OU SERVICE

Avant de faire un appel pour assistance ou service, veuillez vérifier la section "Dépannage". Cette vérification peut vous faire économiser le coût d'une visite de service. Si vous avez encore besoin d'aide, suivez les instructions ci-dessous.

Lors d'un appel, veuillez connaître la date d'achat, le numéro de modèle et le numéro de série au complet de l'appareil. Ces renseignements nous aideront à mieux répondre à votre demande.

Si vous avez besoin de pièces de rechange

Si vous avez besoin de commander des pièces de rechange, nous vous recommandons d'employer uniquement des pièces spécifiées par l'usine. Les pièces spécifiées par l'usine fonctionneront bien parce qu'elles sont fabriquées avec la même précision que celle utilisée dans la fabrication de chaque nouvel appareil KITCHENAID®.

Pour savoir où trouver des pièces spécifiées par l'usine dans votre région, nous appeler ou contacter le centre de service désigné par KitchenAid le plus proche.

Accessoires

Pour les accessoires, consulter notre site Web www.kitchenaid.com/cookingaccessories. Des appareils portatifs, ustensiles de cuisson, de cuisine, gadgets et textiles sont également proposés.

Nettoyant pour acier inoxydable affresh™

(modèles en acier inoxydable)

Commander la pièce numéro W10355016

Lingettes nettoyantes pour acier inoxydable affresh™

(modèles en acier inoxydable)

Commander la pièce numéro W10355049

Nettoyant pour cuisine et appareils ménagers affresh™

Commander la pièce numéro W10355010

Lèchefrite et grille en porcelaine

Commander la pièce numéro 4396923

Lèchefrite et grille de rôtissage de qualité supérieure

Commander la pièce numéro W10123240

www.maytag.com/broilerpan

Au Canada

Veillez appeler sans frais le Centre pour l'eXpérience de la clientèle de KitchenAid Canada au : **1-800-807-6777** ou visitez notre site web à **www.kitchenaid.ca**.

Nos consultants vous renseigneront sur les sujets suivants :

- Caractéristiques et spécifications sur toute notre gamme d'appareils électroménagers.
- Consignes d'utilisation et d'entretien.
- Vente d'accessoires et de pièces de rechange.

- Références aux marchands locaux, aux distributeurs de pièces de rechange et aux compagnies de service. Les techniciens de service désignés par KitchenAid Canada sont formés pour remplir la garantie des produits et fournir un service après la garantie, partout au Canada.

Pour plus d'assistance

Si vous avez besoin de plus d'assistance, vous pouvez soumettre par écrit toute question ou préoccupation à KitchenAid Canada à l'adresse suivante :

Centre pour l'eXpérience de la clientèle
KitchenAid Canada
200 - 6750 Century Ave.
Mississauga, Ontario L5N 0B7

Veillez inclure dans votre correspondance un numéro de téléphone où l'on peut vous joindre dans la journée.

GARANTIE DU FOUR ENCASTRÉ ET DU FOUR À MICRO-ONDES KITCHENAID®

GARANTIE LIMITÉE

Pendant un an à compter de la date d'achat, lorsque ce gros appareil ménager est utilisé et entretenu conformément aux instructions jointes à ou fournies avec le produit, la marque KitchenAid de Whirlpool Corporation ou Whirlpool Canada LP (ci-après désignées "KitchenAid") paiera pour les pièces spécifiées par l'usine et la main-d'œuvre pour corriger les vices de matériaux ou de fabrication. Le service doit être fourni par une compagnie de service désignée par KitchenAid. Cette garantie limitée est valide uniquement aux États-Unis ou au Canada et s'applique exclusivement lorsque l'appareil est utilisé dans le pays où il a été acheté. À l'extérieur du Canada et des 50 États des États-Unis, cette garantie limitée ne s'applique pas. Une preuve de la date d'achat original est exigée pour obtenir un service dans le cadre de la présente garantie limitée.

GARANTIE LIMITÉE DE LA DEUXIÈME À LA CINQUIÈME ANNÉE INCLUSIVEMENT SUR CERTAINS COMPOSANTS

De la deuxième à la cinquième année inclusivement à compter de la date d'achat, lorsque cet appareil ménager est utilisé et entretenu conformément aux instructions jointes à ou fournies avec le produit, KitchenAid paiera pour les pièces spécifiées par l'usine pour les composants suivants, en cas de vices de matériaux ou de fabrication :

- Élément électrique
- Pièces du système de commande à semi-conducteurs

GARANTIE LIMITÉE DE LA DEUXIÈME À LA DIXIÈME ANNÉE INCLUSIVEMENT

Sur les fours à micro-ondes seulement, de la deuxième à la dixième année inclusivement à compter de la date d'achat, lorsque ce gros appareil ménager est utilisé et entretenu conformément aux instructions jointes à ou fournies avec le produit, KitchenAid paiera pour les pièces spécifiées par l'usine pour la cavité du four en acier inoxydable et la porte intérieure si la pièce rouille de part en part du fait de vices de matériaux ou de fabrication.

ARTICLES EXCLUS DE LA GARANTIE

La présente garantie limitée ne couvre pas :

1. Les visites de service pour rectifier l'installation du gros appareil ménager, montrer à l'utilisateur comment utiliser l'appareil, remplacer ou réparer des fusibles ou rectifier le câblage ou la plomberie du domicile.
 2. Les visites de service pour réparer ou remplacer les ampoules électriques de l'appareil, les filtres à air ou les filtres à eau. Les pièces consommables ne sont pas couvertes par la garantie.
 3. Les réparations lorsque le gros appareil ménager est utilisé à des fins autres que l'usage unifamilial normal ou lorsque les instructions d'installation et/ou les instructions de l'opérateur ou de l'utilisateur fournies ne sont pas respectées.
 4. Les dommages imputables à : accident, modification, usage impropre ou abusif, incendie, inondation, actes de Dieu, installation fautive ou installation non conforme aux codes d'électricité ou de plomberie, ou l'utilisation de pièces consommables ou de produits nettoyants non approuvés par KitchenAid.
 5. Les défauts apparents, notamment les éraflures, les bosses, fissures ou tout autre dommage au fini du gros appareil ménager, à moins que ces dommages soient dus à des vices de matériaux ou de fabrication et soient signalés à KitchenAid dans les 30 jours suivant la date d'achat.
 6. Les coûts associés au transport du gros appareil ménager du domicile pour réparation. Ce gros appareil ménager est conçu pour être réparé à domicile et seul le service à domicile est couvert par la présente garantie.
 7. Les réparations aux pièces ou systèmes résultant d'une modification non autorisée faite à l'appareil.
 8. Les frais de transport pour le service d'un produit si votre gros appareil est situé dans une région éloignée où un service d'entretien KitchenAid autorisé n'est pas disponible.
 9. La dépose et la réinstallation de votre gros appareil si celui-ci est installé dans un endroit inaccessible ou n'est pas installé conformément aux instructions d'installation fournies.
 10. Les gros appareils ménagers dont les numéros de série et de modèle originaux ont été enlevés, modifiés ou qui ne peuvent pas être facilement identifiés. La présente garantie est nulle si le numéro de série d'usine a été modifié ou enlevé du gros appareil ménager.
- Le coût d'une réparation ou d'un remplacement dans le cadre de ces circonstances exclues est à la charge du client.

CLAUSE D'EXONÉRATION DE RESPONSABILITÉ AU TITRE DES GARANTIES IMPLICITES; LIMITATION DES RECOURS

LE SEUL ET EXCLUSIF RECOURS DU CLIENT DANS LE CADRE DE LA PRÉSENTE GARANTIE LIMITÉE CONSISTE EN LA RÉPARATION PRÉVUE CI-DESSUS. LES GARANTIES IMPLICITES, Y COMPRIS LES GARANTIES APPLICABLES DE QUALITÉ MARCHANDE ET D'APTITUDE À UN USAGE PARTICULIER, SONT LIMITÉES À UN AN OU À LA PLUS COURTE PÉRIODE AUTORISÉE PAR LA LOI. KITCHENAID N'ASSUME AUCUNE RESPONSABILITÉ POUR LES DOMMAGES FORTUITS OU INDIRECTS. CERTAINES JURIDICTIONS NE PERMETTENT PAS L'EXCLUSION OU LA LIMITATION DES DOMMAGES FORTUITS OU INDIRECTS, OU LES LIMITATIONS DE LA DURÉE DES GARANTIES IMPLICITES DE QUALITÉ MARCHANDE OU D'APTITUDE À UN USAGE PARTICULIER, DE SORTE QUE CES EXCLUSIONS OU LIMITATIONS PEUVENT NE PAS S'APPLIQUER DANS VOTRE CAS. CETTE GARANTIE VOUS CONFÈRE DES DROITS JURIDIQUES SPÉCIFIQUES ET VOUS POUVEZ ÉGALEMENT JOUIR D'AUTRES DROITS QUI PEUVENT VARIER D'UNE JURIDICTION À UNE AUTRE.

Si vous résidez à l'extérieur du Canada et des 50 États des États-Unis, contactez votre marchand KitchenAid autorisé pour déterminer si une autre garantie s'applique.

Si vous avez besoin de service, voir d'abord la section "Dépannage" du Guide d'utilisation et d'entretien. Après avoir vérifié la section "Dépannage", de l'aide supplémentaire peut être trouvée en vérifiant la section "Assistance ou service" ou en appelant KitchenAid. Aux É.-U., composer le **1-800-422-1230**. Au Canada, composer le **1-800-807-6777**. 2/09

Conservez ce manuel et votre reçu de vente ensemble pour référence ultérieure. Pour le service sous garantie, vous devez présenter un document prouvant la date d'achat ou d'installation.

Inscrivez les renseignements suivants au sujet de votre gros appareil ménager pour mieux vous aider à obtenir assistance ou service en cas de besoin. Vous devez connaître le numéro de modèle et le numéro de série au complet. Vous trouverez ces renseignements sur la plaque signalétique située sur le produit.

Nom du marchand _____

Adresse _____

Numéro de téléphone _____

Numéro de modèle _____

Numéro de série _____

Date d'achat _____