



Room Air Conditioners

Safety Instructions 2, 3

Operating Instructions 4-6

Care and Cleaning

Air Filter 8
Front Grille 7
Grille and Case 7
Outdoor Coils 7

Installation Instructions

Before You Begin 9-11
Installing a J-Model in
an Existing Wall Case 12
Through-the-Wall
Installation 13

Troubleshooting Tips 14

Normal Operating Sounds 14

Consumer Support

Consumer Support Back Cover
Warranty 15

*ENERGY STAR® labeled product



As an ENERGY STAR® partner, GE has determined that this product meets the ENERGY STAR® guidelines for energy efficiency.

Write the model and serial numbers here:

Model # _____

Serial # _____

Find these numbers on a label on the front of the base pan behind the front grille.

Cool Only:	AJCM 08, 10	ACE*
	AJCM 10, 12	DCE*
	AJCQ 06	LCE*
	AJCQ 08, 10, 12	ACE*
	AJCQ 09, 10, 12	DCE*
Heat/Cool:	AJEM 12	DCE
	AJEQ 06	LCE
	AJEQ 08	ACE
	AJEQ 09, 10, 12	DCE

Español

For a Spanish version of this manual, visit our Website at GEAppliances.com.

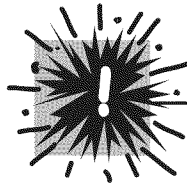
Para consultar una version en español de este manual de instrucciones, visite nuestro sitio de internet GEAppliances.com.

Française

For a French version of this manual, visit our Website at GEAppliances.com.

Pour une version française de ce manuel d'utilisation, veuillez visiter notre site web à l'adresse GEAppliances.com.

IMPORTANT SAFETY INFORMATION. READ ALL INSTRUCTIONS BEFORE USING.



SAFETY PRECAUTIONS

⚠ WARNING! *Risk of electric shock. Can cause injury or death. For your safety, the information in this manual must be followed to minimize the risk of fire, electric shock or personal injury.*

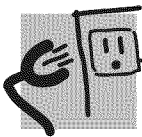
- Use this appliance only for its intended purpose as described in this Owner's Manual.
- This air conditioner must be properly installed in accordance with the Installation Instructions before it is used.
- Never unplug your air conditioner by pulling on the power cord. Always grip plug firmly and pull straight out from the receptacle.
- Replace immediately all electric service cords that have become frayed or otherwise damaged. A damaged power supply cord must be replaced with a

new power supply cord obtained from the manufacturer and not repaired. Do not use a cord that shows cracks or abrasion damage along its length or at either the plug or connector end.

- Turn **OFF** and unplug your air conditioner before making any repairs or cleaning.

NOTE: *We strongly recommend that any servicing be performed by a qualified individual.*

- For your safety...do not store or use combustible materials, gasoline or other flammable vapors or liquids in the vicinity of this or any other appliance.
- All air conditioners contain refrigerants, which under federal law must be removed prior to product disposal. If you are getting rid of an old product with refrigerants, check with the company handling disposal about what to do.



HOW TO CONNECT ELECTRICITY

⚠ WARNING! *Risk of electric shock. Can cause injury or death. This appliance must be properly grounded. Do not, under any circumstances, cut or remove the third (ground) prong from the power cord. For personal safety, this appliance must be properly grounded.*

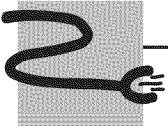
- The power cord of this appliance is equipped with a 3-prong (grounding) plug which mates with a standard 3-prong (grounding) wall outlet to minimize the possibility of electric shock hazard from this appliance.
- Have the wall outlet and circuit checked by a qualified electrician to make sure the outlet is properly grounded.
- Power cord may include a current interrupter device. A test and reset button is provided on the plug case. The device should be tested on a periodic basis by first pressing the **TEST** button and then the **RESET** button. If the **TEST** button does not trip or if the **RESET** button will not stay engaged, discontinue use of the air conditioner and contact a qualified service technician.

- Where a 2-prong wall outlet is encountered, it is your personal responsibility and obligation to have it replaced with a properly grounded 3-prong wall outlet.

⚠ WARNING! *Risk of electric shock. Can cause injury or death.*

- The air conditioner should always be plugged into its own individual electrical outlet which has a voltage rating that matches the rating plate. This provides the best performance and also prevents overloading house wiring circuits which could cause a fire hazard from overheated wires.
- See the Installation Instructions, Electrical Requirements section for specific electrical connection requirements.

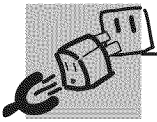
⚠ WARNING! USE OF EXTENSION CORDS



RISK OF FIRE. Could cause serious injury or death.

- DO NOT use an extension cord with this Built-in Air Conditioner.
- DO NOT use surge protectors or multi-outlet adaptors with this Built-in Air Conditioner.

USE OF ADAPTER PLUGS



⚠ WARNING! Risk of electric shock. Can cause injury or death.

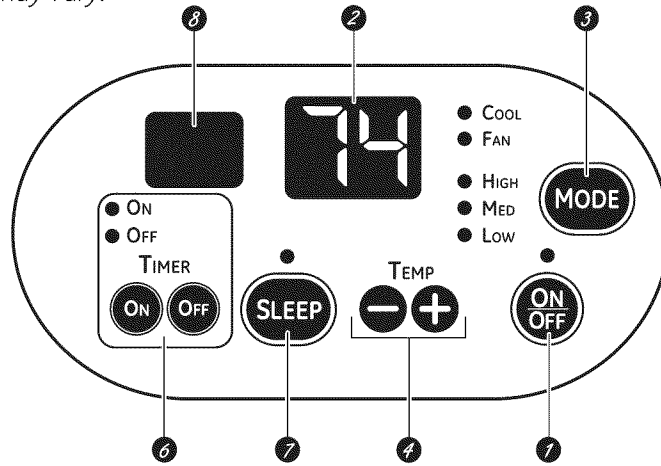
- We strongly recommend against the use of an adapter plug.
- If you must use an adapter, where local codes permit, a **temporary connection** may be made to a properly grounded 2-prong wall outlet by use of a UL-listed adapter available at most local hardware stores.
- The larger slot in the adapter must be aligned with the larger slot in the wall outlet to provide proper polarity in the connection of the power cord.
- When disconnecting the power cord from the adapter, always hold the adapter in place with one hand while pulling the power cord plug with the other hand. If this is not done, the adapter ground terminal is very likely to break with repeated use.
- If the adapter ground terminal breaks, **DO NOT USE** the air conditioner until a proper ground has been established.
- Attaching the adapter ground terminal to a wall outlet cover screw does not ground the appliance unless the cover screw is metal, not insulated, and the wall outlet is grounded through the house wiring. You should have the circuit checked by a qualified electrician to make sure the outlet is properly grounded.



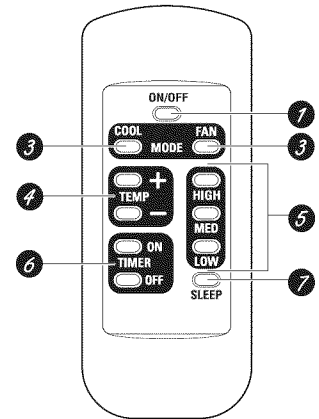
READ AND FOLLOW THIS SAFETY INFORMATION CAREFULLY.
SAVE THESE INSTRUCTIONS

About the controls on the air conditioner—Cool Only Models

Appearance may vary.



Air Conditioner Controls



Remote Control

Lights beside the touch pads on the air conditioner control panel indicate the selected settings.



Controls

- 1 ON/OFF**
Turns air conditioner on and off.
- 2 Display**
Displays the temperature setting. Displays hours when setting the timer.
- 3 MODE**
On the remote control, use to set the air conditioner to **COOL** or **FAN** mode.

On the air conditioner controls, use to set **COOL** or **FAN** mode at **HIGH**, **MED** or **LOW** fan speed. Indicator lights on the air conditioner controls will show the mode and fan speed selected.
- 4 TEMP Increase + /Decrease - Pads**
Use to set temperature when in **COOL** mode.
- 5 Fan Speeds (Remote control only)**
Use to set the fan speed at **LOW**, **MED** or **HIGH**.
- 6 TIMER**
ON—When the air conditioner is off, it can be set to automatically turn on in half an hour to 24 hours at its previous setting. Each touch will set the time in half hours up to 10 and then in hours up to 24.

To cancel the On Timer, press the **ON** pad until “CL” appears. Then wait until the display turns off.

OFF—When the air conditioner is on, it can be set to automatically turn off in half an hour to 24 hours. Each touch will set the time in half hours up to 10 and then in hours up to 24.

To cancel the Off Timer, press the **OFF** pad until “CL” appears and wait for the set temperature to be displayed. The unit will now resume normal operation.

- 7 SLEEP**
Press to set the air conditioner to run for 8 hours before it automatically returns to the previous setting.

When the sleep timer is set, the set temperature will automatically increase 2°F after the second hour then 1°F each hour over the next two hours.

To cancel the sleep mode, press the **MODE** pad or the **SLEEP** pad a second time.

- 8 Remote Control Signal Receiver**

NOTE: When the air conditioner is turned on, it will automatically start in the setting last used.

Remote Control

- To ensure proper operation, aim the remote control at the signal receiver on the air conditioner.
- The remote control signal has a range of up to 21 feet.
- Make sure nothing is between the air conditioner and the remote control that could block the signal.
- Make sure batteries are fresh and installed correctly—see the Care and Cleaning section.

COOL MODE

Remote Control

1. Press **COOL** pad.
2. Press **LOW**, **MED** or **HIGH** pads to set desired fan speed.
3. Press the **INCREASE + / DECREASE -** pads to set the desired temperature 60°F to 85°F in 1°F increments.

Control Panel

1. Press the **MODE** pad until the **COOL** indicator light is lit and the **LOW**, **MED** or **HIGH** indicator light is lit for the desired fan speed.
2. Press the **INCREASE + / DECREASE -** pads to set the desired temperature 60°F to 85°F in 1°F increments.

A thermostat is used to maintain the room temperature. The compressor will cycle on and off to keep the room at the set level of comfort. Set the thermostat at a lower number and the indoor air will become cooler.

Set the thermostat at a higher number and the indoor air will become warmer.

NOTE: If the air conditioner is off and is then turned on while set to **COOL**, it will take approximately 3 minutes for the compressor to start and cooling to begin.

Cooling Descriptions

For Normal Cooling—Select the **COOL** mode and **HIGH** or **MED** fan with a middle set temperature.

For Maximum Cooling—Select the **COOL** mode and **HIGH** fan with a lower set temperature.

For Quieter and Nighttime Cooling—Select the **COOL** mode and **LOW** fan with a middle set temperature.

NOTE: If you switch from a **COOL** setting to **OFF** or to a fan setting, wait at least 3 minutes before switching back to a **COOL** setting.

FAN MODE

Use the **FAN** mode to provide air circulation and filtering without cooling. Since fan-only settings do not provide cooling, a temperature setting will not be displayed.

Remote Control

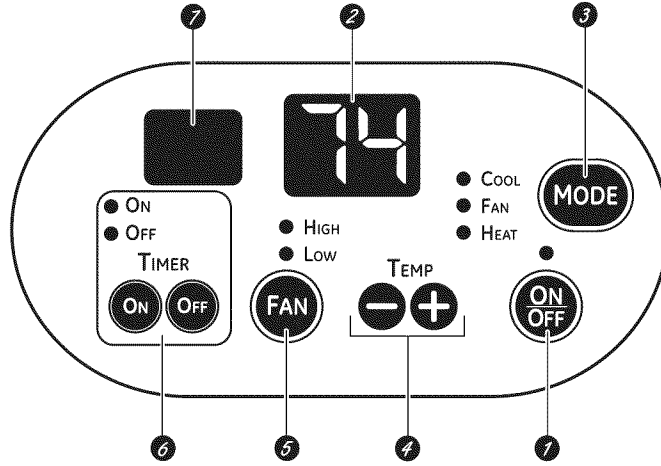
Press **FAN** pad. Press **LOW**, **MED** or **HIGH** pads to set desired fan speed.

Control Panel

Press the **MODE** pad until the **FAN** indicator light is lit and the **LOW**, **MED** or **HIGH** indicator light is lit for the desired fan speed.

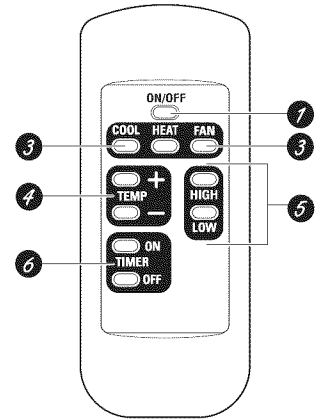
About the controls on the air conditioner—Heat/Cool Models

Appearance may vary.



Air Conditioner Controls

Lights beside the touch pads on the air conditioner control panel indicate the selected settings.



Remote Control



Controls

- 1 ON/OFF**
Turns air conditioner on and off.
- 2 Display**
Displays the temperature setting. Displays hours when setting the timer.
- 3 MODE**
On the air conditioner controls, use to set **COOL**, **HEAT** or **FAN** mode. Indicator lights on the air conditioner controls will show the mode selected.
- 4 TEMP Increase + /Decrease - Pads**
Use to set temperature when in **COOL** or **HEAT** mode.
- 5 FAN Speeds**
Use to set the fan speed at **LOW** or **HIGH**. Indicator lights will show the speed selected.

- 6 TIMER**
ON—When the air conditioner is off, it can be set to automatically turn on in half an hour to 24 hours at its previous setting. Each touch will set the time in half hours up to 10 and then in hours up to 24.

To cancel the On Timer, press the **ON** pad until “CL” appears. Then wait until the display turns off.

OFF—When the air conditioner is on, it can be set to automatically turn off in half an hour to 24 hours. Each touch will set the time in half hours up to 10 and then in hours up to 24.

To cancel the Off Timer, press the **OFF** pad until “CL” appears and wait for the set temperature to be displayed. The unit will now resume normal operation.

7 Remote Control Signal Receiver

NOTE: When the air conditioner is turned on, it will automatically start in the setting last used.

Remote Control

- To ensure proper operation, aim the remote control at the signal receiver on the air conditioner.
- The remote control signal has a range of up to 21 feet.
- Make sure nothing is between the air conditioner and the remote control that could block the signal.
- Make sure batteries are fresh and installed correctly—see the Care and Cleaning section.

COOL MODE

Remote Control

1. Press **COOL** pad.
2. Press **LOW** or **HIGH** pads to set desired fan speed.
3. Press the **INCREASE + / DECREASE -** pads to set the desired temperature 60°F to 85°F in 1°F increments.

Control Panel

1. Press the **MODE** pad until the **COOL** indicator light is lit.
2. Press the **FAN** pad until **HIGH** or **LOW** indicator light is lit for desired fan speed.
3. Press the **INCREASE + / DECREASE -** pads to set the desired temperature 60°F to 85°F in 1°F increments.

A thermostat is used to maintain the room temperature. The compressor will cycle on and off to keep the room at the set level of comfort. Set the thermostat at a lower number and the indoor air will become cooler.

Set the thermostat at a higher number and the indoor air will become warmer.

NOTE: If the air conditioner is off and is then turned on while set to **COOL**, it will take approximately 3 minutes for the compressor to start and cooling to begin.

Cooling Descriptions

For Normal Cooling—Select the **COOL** mode and **HIGH** fan with a middle set temperature.

For Maximum Cooling—Select the **COOL** mode and **HIGH** fan with a lower set temperature.

For Quieter and Nighttime Cooling—Select the **COOL** mode and **LOW** fan with a middle set temperature.

NOTE: There will be a 3-minute delay between setting changes such as **COOL** to **OFF** and back to **COOL**.

HEAT MODE

Remote Control

1. Press **HEAT** pad.
2. Press **LOW** or **HIGH** pads to set desired fan speed.
3. Press the **INCREASE + / DECREASE -** pads to set the desired temperature 60°F to 85°F in 1°F increments.

Control Panel

1. Press the **MODE** pad until the **HEAT** indicator light is lit.
2. Press the **FAN** pad until **HIGH** or **LOW** indicator light is lit for desired fan speed.
3. Press the **INCREASE + / DECREASE -** pads to set the desired temperature 60°F to 85°F in 1°F increments.

A thermostat is used to maintain the room temperature. The heater will cycle on and off to keep the room at the set level of comfort. Set the thermostat at a higher number and the indoor air will become warmer.

Set the thermostat at a lower number and the indoor air will become cooler.

NOTE: If the air conditioner is off and is then turned on while set to **HEAT**, it will take approximately 1 minute for the heater to start and heating to begin.

Heating Descriptions

For Normal Heating—Select the **Heat** mode and **HIGH** fan with a middle set temperature.

For Maximum Heating—Select the **HEAT** mode and **HIGH** fan with a higher set temperature.

For Quieter and Nighttime Heating—Select the **HEAT** mode and **LOW** fan with a middle set temperature.

FAN

Use the **FAN** to provide air circulation and filtering without cooling or heating. Since fan only settings do not provide cooling or heating, a temperature setting will not be displayed.

Remote Control

Press **FAN** pad. Press **LOW** or **HIGH** pads to set desired fan speed.

Control Panel

Press the **MODE** pad until the **FAN** indicator light is lit and the **LOW** or **HIGH** indicator light is lit for the desired fan speed.

About the controls on the air conditioner

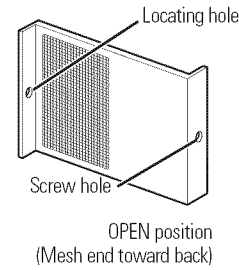
Vent Control

The vent control is located behind the front grille on the right side of the air discharge area. When **CLOSED**, only the air inside the room will be circulated and conditioned. When **OPEN**, the vent allows outdoor fresh air exchange.

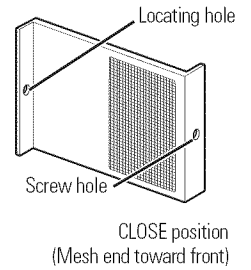
To open or close the vent:

1. Remove the front grille.
2. Remove the vent card screw.
3. Remove vent card, turn it over and replace it by locating rear hole in card over locating pin inside air discharge and reattaching screw at front.

The unit leaves the factory set at the CLOSE position.

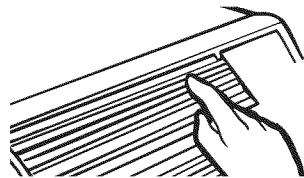


OPEN position
(Mesh end toward back)

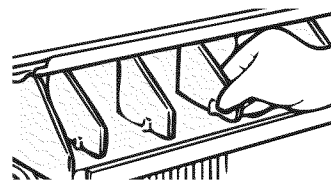


CLOSE position
(Mesh end toward front)

Air Direction



Horizontal louvers on the front grille let you control the air direction up and down.



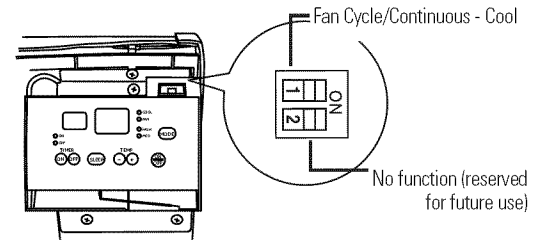
Remove the front grille to adjust the vertical louvers side-to-side to direct the air left or right.

Cool Only Models

Auxiliary Controls – Dip Switches (location varies by model)

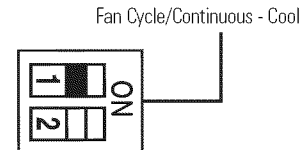
The auxiliary dip switch controls are located behind the room cabinet—as shown in this figure.

The owner is responsible for checking switches and ensuring they are in the desired position.



Fan Cycle/Continuous - Cool

When this switch is enabled (**RIGHT**), it allows the indoor fan to cycle on/off with the compressor. When this switch is disabled (**LEFT**), it allows the indoor fan to run continuously. The default setting is **left** (continuous).

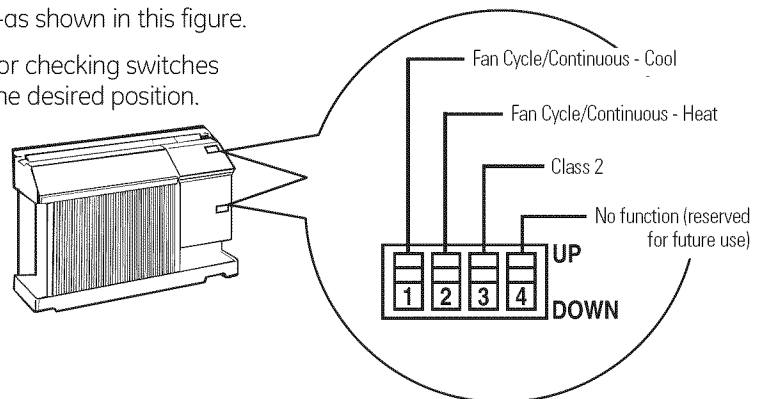


Heat/Cool Models

Auxiliary Controls – Dip Switches (location varies by model)

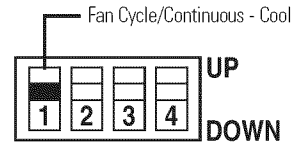
The auxiliary dip switch controls are located behind the room cabinet—as shown in this figure.

The owner is responsible for checking switches and ensuring they are in the desired position.



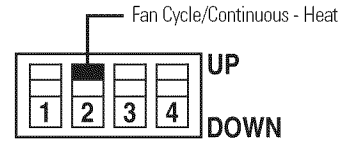
Fan Cycle/Continuous - Cool

When this switch is enabled (**UP**), it allows the indoor fan to cycle on/off with the compressor. When this switch is disabled (**DOWN**), it allows the indoor fan to run continuously. The default setting is **DOWN** (continuous).



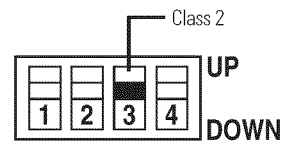
Fan Cycle/Continuous - Heat

When this switch is enabled (**UP**), it allows the indoor fan to cycle on/off with the heater operation. When this switch is disabled (**DOWN**), it allows the indoor fan to run continuously. The default setting is **UP** (cyclic).



Class 2 - Remote Thermostat

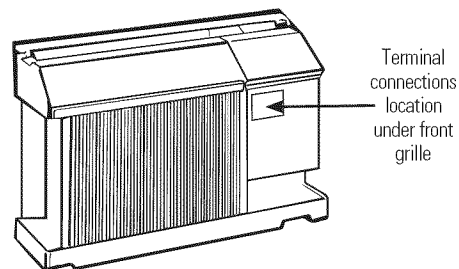
When this switch is enabled (**UP**), it allows the unit to operate with a Class 2 Remote Control Wall Thermostat. The unit controls are disabled. The default setting is **DOWN** (disabled).



Terminal Connections Remote Thermostat - Class 2 (on some models)

The controls are located under a plastic cover behind the front grille.

- 1 Remove the front grille. See the Front Grille section of Care and Cleaning.
- 2 Remove the screws securing the plastic cover over the wiring connections. Set aside screws and plastic cover.
- 3 To make wiring connections, insert the wires into the bottom of the terminals and tighten screws securely.
- 4 After all desired connections have been made, replace the plastic cover and front grille.



The owner is responsible for making all connections and setting the appropriate dip switches.

When connected, the unit will be controlled by a remote thermostat.

NOTE: The number 3 dip switch must be in the enabled (**UP**) position to activate the remote thermostat. (See the installation instructions supplied with the remote thermostat.)

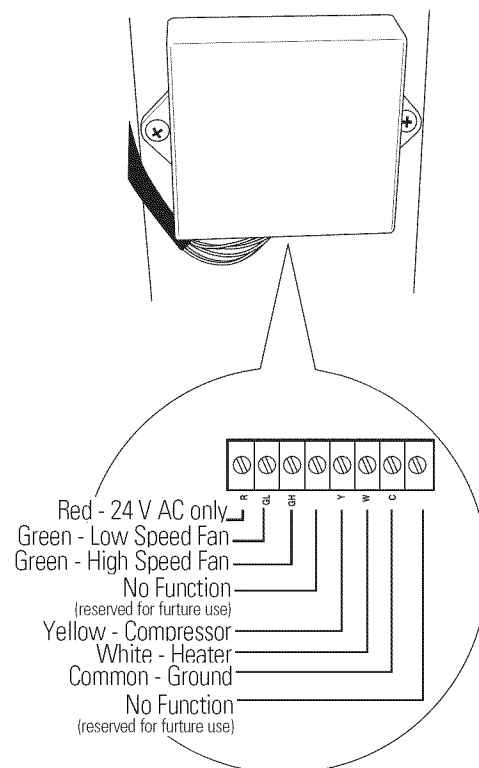
IMPORTANT:

The thermostat connections provide 24 V AC only.

If using a digital/electronic wall thermostat, ensure it is compatible with 24 VAC signal. See the Installation Instructions for the wall thermostat.

NOTICE:

Damage to a wall thermostat or to the electronics can result from improper connections. Special care must be used in connecting the wires. No line voltage connections should be made to any circuit. Isolate all wires in building from line voltage.



Care and cleaning of the air conditioner.

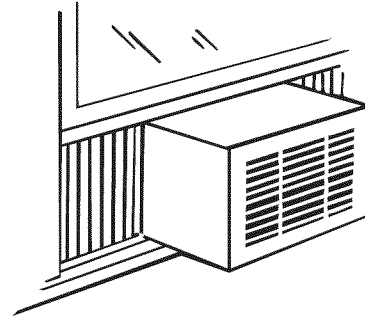
Grille and Case

Turn the air conditioner off and remove the plug from the wall outlet before cleaning.

To clean, use water and a mild detergent. Do not use bleach or abrasives.

Outdoor Coils

The coils on the outdoor side of the air conditioner should be checked regularly. If they are clogged with dirt or soot they may be professionally steam cleaned, a service available through your GE service outlet.



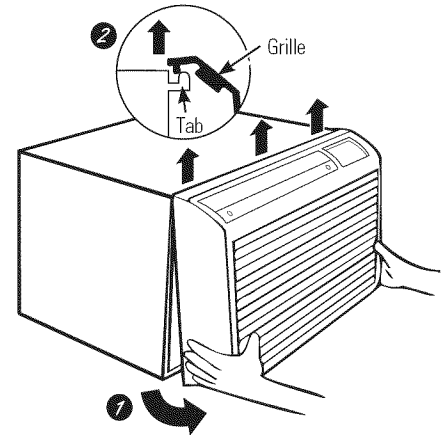
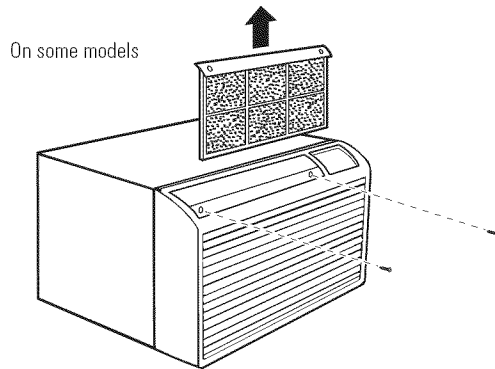
Front Grille

The front grille can be removed for more thorough cleaning and to locate the model and serial numbers on the front of the base pan.

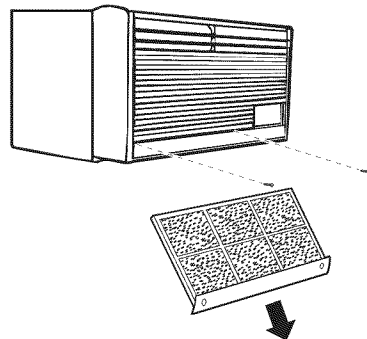
3. Pull the grille out from the bottom and lift up from the tabs on the top of the case.

To remove:

1. Pull the filter out.
2. Remove the two grille screws.



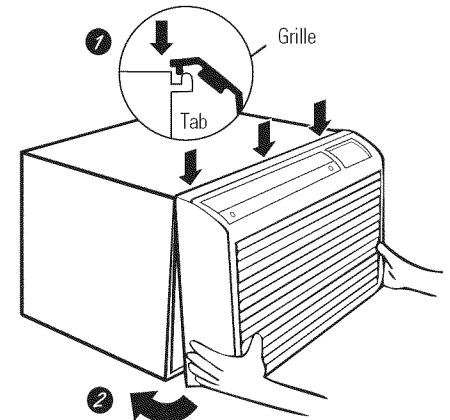
On some models



To replace:

Hook the tabs on the front grille even with the tabs on the case and snap into place.

Replace the screws and filter.

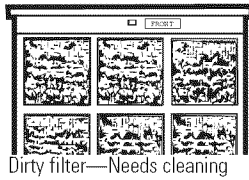


Care and cleaning of the air conditioner.

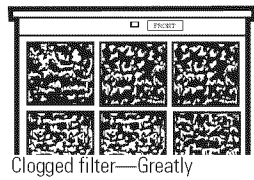
GEAppliances.com

To maintain optimum performance, clean the filter at least every 30 days.

Air Filter



Dirty filter—Needs cleaning



Clogged filter—Greatly reduces cooling, heating and airflow.

Turn the air conditioner off before cleaning.

The most important thing you can do to maintain the air conditioner is to clean the filter at least every 30 days. A clogged filter reduces cooling, heating and air flow.

Keeping the air filter clean will:

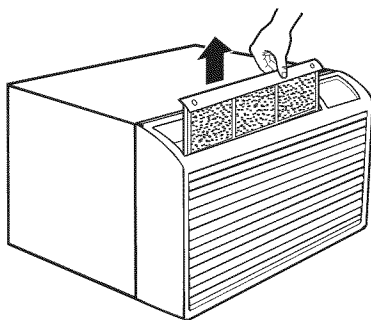
- Decrease cost of operation.
- Save energy.
- Prevent clogged heat exchanger coils.
- Reduce the risk of premature component failure.

To clean the air filters:

- Vacuum off the heavy soil.
- Run water through the filters.
- Dry thoroughly before replacing.

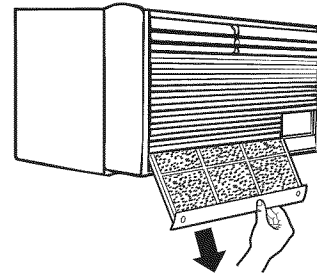
To remove the air filter, on some models:

Carefully pull the tab forward, up and out.



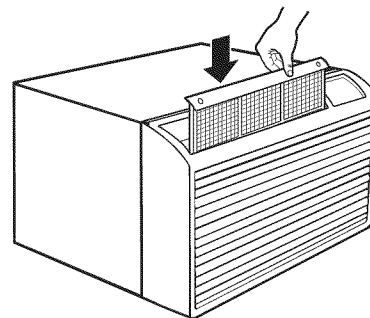
To remove the air filter, on other models:

Pull it down.



To replace the air filter:

Replace the clean filter by pushing it back into place.



NOTICE: Do not operate the air conditioner without the filter in place. If a filter becomes torn or damaged it should be replaced immediately.

Operating without the filter in place or with a damaged filter will allow dirt and dust to reach the indoor coil and reduce the cooling, heating, airflow and efficiency of the unit.

Replacement filters are available from your salesperson, GE dealer, GE Service and Parts Center or authorized Customer Care® servicers.

How to Insert the Batteries in the Remote Control


- 1 Remove the battery cover by sliding it according to the arrow direction.
- 2 Insert new batteries making sure that the (+) and (-) of battery are installed correctly.
- 3 Reattach the cover by sliding it back into position.

NOTES:

- Use 2 AAA (1.5 volt) batteries. Do not use rechargeable batteries.
- Remove the batteries from the remote control if the system is not going to be used for a long time.
- Do not mix old and new batteries. Do not mix alkaline, standard (carbon-zinc) or rechargeable (ni-cad, ni-mh, etc) batteries.

Installation Instructions

Air Conditioner

 Questions? Call 800.GE.CARES (800.432.2737) or Visit our Website at: GEAppliances.com



BEFORE YOU BEGIN

Read these instructions completely and carefully.

- **IMPORTANT** — Save these instructions for local inspector's use.
- **IMPORTANT** — Observe all governing codes and ordinances.
- **Note to Installer** – Be sure to leave these instructions with the Consumer.
- **Note to Consumer** – Keep these instructions for future reference.
- **Skill level** – Installation of this appliance requires basic mechanical skills.
- **Completion time** – Approximately 1 hour
- We recommend that two people install this product.
- Proper installation is the responsibility of the installer.
- Product failure due to improper installation is not covered under the Warranty.

Air conditioner break-in period

NOTE – As with any mechanical device with moving parts, this unit will have a wear-in period. AFTER INSTALLATION, this unit should be operated for 48 hours to achieve optimum efficiency.



ELECTRICAL REQUIREMENTS

⚠ WARNING! Risk of electric shock. Can cause injury or death. This appliance must be properly grounded. Where a 2-prong wall outlet is encountered, it is your responsibility and obligation to have it replaced with a properly grounded 3-prong outlet.



Some models require a 115/120-volt a.c., 60-Hz grounded outlet protected with a 15-amp time delay fuse or circuit breaker.

The 3-prong grounding plug minimizes the possibility of electric shock hazard. If the wall outlet you plan to use is only a 2-prong outlet, it is your responsibility to have it replaced with a properly grounded 3-prong wall outlet.

Do not, under any circumstances, cut or remove the third (ground) prong from the power cord.

Do not change the plug on the power cord of this air conditioner.

Aluminum house wiring may present special problems—consult a qualified electrician.



Some models require 230/208-volt a.c., protected with a time delay fuse or circuit breaker. These models should be installed on their own single branch circuit for best performance and to prevent overloading house or apartment wiring circuits, which could cause a possible fire hazard from overheating wires.



Some models require 230/208-volt a.c., protected with a time delay fuse or circuit breaker. These models should be installed on their own single branch circuit for best performance and to prevent overloading house or apartment wiring circuits, which could cause a possible fire hazard from overheating wires.

IMPORTANT!

GE strongly recommends the removal of the old wall case and the installation of a new GE Wall Case. If you DO NOT use a GE Wall Case, you run the risk of poor performance or product failure. This is not covered under the terms of the GE warranty.

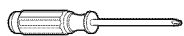
Installation Instructions

Read these instructions completely and carefully.

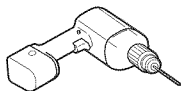
Power cord may include a current interrupter device. A test and reset button is provided on the plug case. The device should be tested on a periodic basis by first pressing the **TEST** button and then the **RESET** button.

If the **TEST** button does not trip or if the **RESET** button will not stay engaged, discontinue use of the air conditioner and contact a qualified service technician.

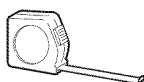
TOOLS YOU MAY NEED



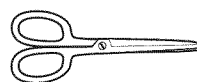
Phillips-head screwdriver



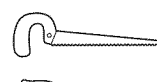
Drill



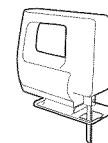
Ruler or Tape Measure



Scissors or knife



Hand or Saber Saw



Level



Adjustable Wrench



Pencil



GE KIT NUMBERS

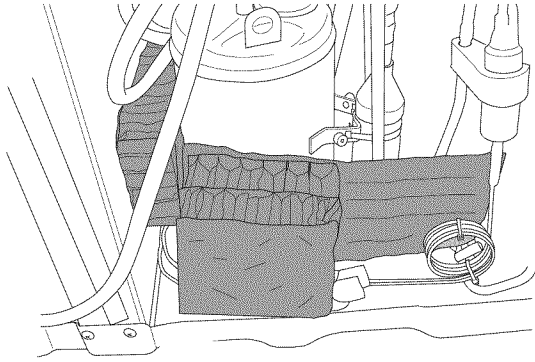
USE GE KIT NUMBER:	FOR:	DESCRIPTION:
RAB46A, 46, 47A, 47, 48A & 48	Use these kits for all GE models and other brands not listed	Standard wall case for "J" model chassis. RAG13 stamped aluminum exterior grille included. Remove the existing case and replace.
RAK65A1	All GE Models	Kit for window installation.
RAK690	RAB36, 37, 38, 46, 47 or 48 (J-Chassis)	If you attach a custom architectural outdoor grille, use this kit to ensure proper airflow.
RAG13	RAB36, 37, 38, 46, 47 or 48 (J-Chassis)	Standard aluminum exterior grille (included with RAB46, 47, 48, RAB46A, 47A and 48A wall cases).
RAG14E	RAB36, 37, 38, 46, 47 or 48 (J-Chassis)	Architectural louvered exterior grille.

Installation Instructions

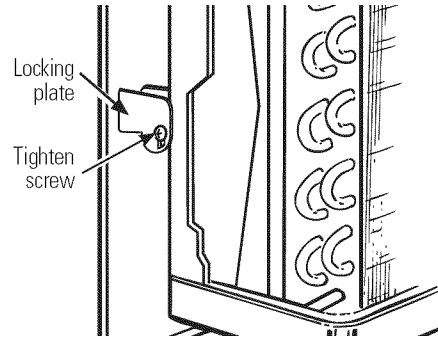
INSTALLING A J-MODEL IN AN EXISTING WALL CASE

Read these instructions completely and carefully.

- 1 REMOVE ALL SHIPPING MATERIAL (IF PRESENT) INSIDE AIR CONDITIONER NEXT TO COMPRESSOR**

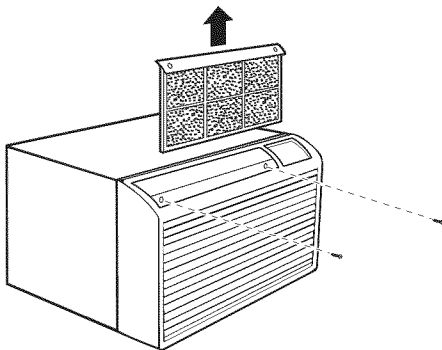


- 4 REINSTALL LOCKING PLATE WITH TAB BEHIND WALL CASE FLANGE. TIGHTEN SCREW**



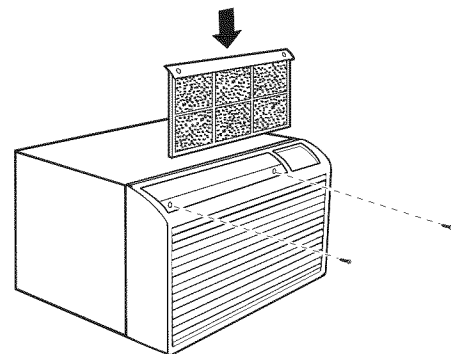
- 2 REMOVE THE FILTER AND FRONT GRILLE**

Remove the two screws behind the filter then remove the front grille.



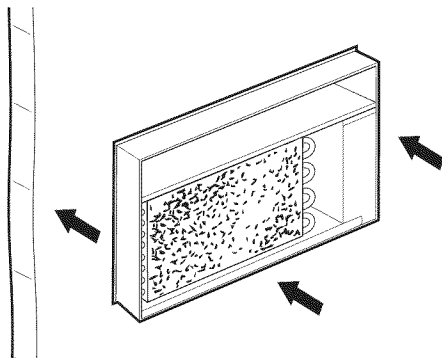
- 5 ATTACH FRONT GRILLE**

An opening for the power cord is on the bottom of the front grille.



- 3 CAREFULLY SLIDE AIR CONDITIONER INTO CASE**

Make sure that the tubing on the unit does not touch the wall case and that the case installation is secure.



Installation Instructions

INSTALLING THROUGH THE WALL

Read these instructions completely and carefully.

1 PREPARE OPENING IN WALL

Make certain a wall receptacle is available close to the hole location or make arrangements to install a receptacle.

The cord length for the 115-volt models is 72" to the right and 47" to the left.

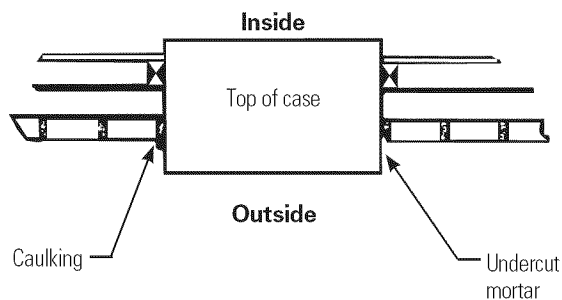
For the 230/208-volt models the cord length is 65" to the right and 39" to the left.

MINIMUM FINISHED OPENING DIMENSIONS*		CASE DIMENSIONS		
Height	Width	Height	Width	Depth
15 $\frac{3}{4}$ "	26 $\frac{1}{2}$ "	15 $\frac{5}{8}$ "	26 $\frac{1}{8}$ "	16"

*Dimensions may need to be increased to fit unique situations in the field if using case angles.

3 SUPPORT REQUIREMENTS FOR AIR CONDITIONER

Mortar between the case and the brick wall around the case may be undercut at about 45° for improved caulking.



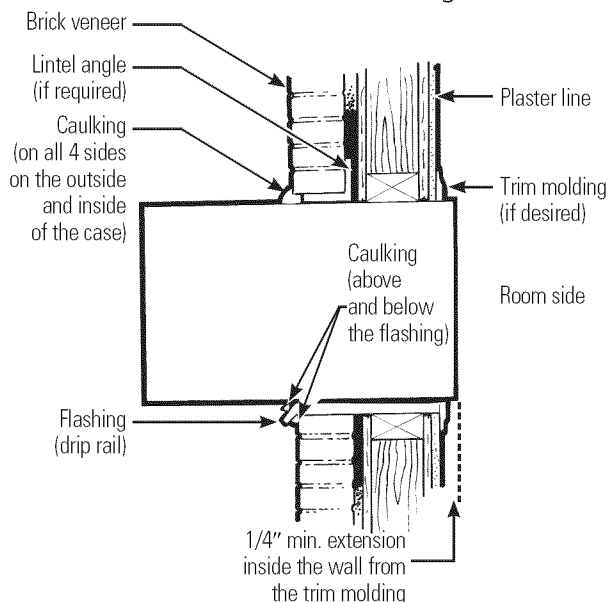
2 SUPPORT REQUIREMENTS FOR AIR CONDITIONER

The air conditioner wall case may be installed with 1/4" min. extension out from the inside wall or with 1/4" min. extension out from the outside wall.

The finished sides of the opening should be structural wall members.

Lintel – Use a lintel in brick veneer and brick and block types of wall to support the bricks or blocks above the opening. Do not allow the wall case to be used in lieu of a lintel.

Flashing – Install flashing (drip rail) as shown to prevent water from dripping inside the wall and down the outside of the building.



Before you call for service...

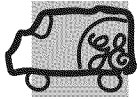
Troubleshooting Tips: Save time and money! Review the chart below first and you may not need to call for service.

Problem	Possible Causes	What To Do
Air conditioner does not start	The air conditioner is unplugged.	• Make sure the air conditioner plug is pushed completely into the outlet.
	The fuse is blown/circuit breaker is tripped.	• Check the house fuse/circuit breaker box and replace the fuse or reset the breaker.
	Power failure.	• If power failure occurs, turn the air conditioner OFF . When power is restored, wait 3 minutes to restart the air conditioner to prevent tripping of the compressor overload.
	The current interrupter device is tripped.	• Press the RESET button located on the power cord plug. • If the RESET button will not stay engaged, discontinue use of the air conditioner and contact a qualified service technician.
Air conditioner does not cool or heat (some models) as it should	Airflow is restricted.	• Make sure there are no curtains, blinds or furniture blocking the front of the air conditioner.
	The temp control may not be set correctly.	• In COOL mode or HEAT mode (some models), press the DECREASE – pad.
	The air filter is dirty.	• Clean the filter at least every 30 days. See the <i>Operating Instructions</i> section.
	The room may have been hot.	• When the air conditioner is first turned on, you need to allow time for the room to cool down.
	Cold air is escaping.	• Check for open furnace registers and cold air returns. • Make sure the air conditioner's vent is in the closed position.
	Cooling coils have iced up.	• See " Air conditioner freezing up " below.
Air conditioner freezing up	Ice blocks the airflow and stops the air conditioner from cooling the room.	• Set the controls at HIGH FAN or HIGH COOL and set the thermostat to a higher temperature to allow the ice to melt. • Check filter for cleanliness.
The remote control is not working	The batteries are inserted incorrectly.	• Check the position of the batteries. They should be inserted correctly.
	The batteries may be dead.	• Replace the batteries.
Water drips outside	Hot, humid weather.	• This is normal.
Water drips indoors	The air conditioner is not tilted to the outside.	• For proper water disposal, make sure the air conditioner case is level or slants slightly from the case front to the rear.
Water collects in base pan	Moisture removed from air and drains into base pan.	• This is normal for a short period in areas with little humidity; normal for a longer period in very humid areas.

Normal Operating Sounds

- You may hear a pinging noise caused by water being picked up and thrown against the condenser on rainy days or when the humidity is high. This design feature helps remove moisture and improve efficiency.
- You may hear the thermostat click when the compressor cycles on and off.
- Water will collect in the base pan during high humidity or on rainy days. The water may overflow and drip from the outdoor side of the unit.
- The fan may run even when the compressor does not.

Air Conditioner Warranty.



All warranty service provided by our Factory Service Centers, or an authorized Customer Care® technician. To schedule service, on-line visit us at GEAppliances.com, or call 800.GE.CARES (800.432.2737). For service in Canada, contact Gordon Williams Corp. at 1.888.209.0999. Please have serial number and model number available when calling for service.

Staple your receipt here. Proof of the original purchase date is needed to obtain service under the warranty.

For The Period Of: GE Will Replace:

One Year
From the date of the original purchase

Any part of the air conditioner which fails due to a defect in materials or workmanship. During this **limited one-year warranty**, GE will also provide, **free of charge**, all labor and related service to replace the defective part.

Five Years
From the date of the original purchase

Any part of the sealed refrigerating system (the compressor, condenser, evaporator and all connecting tubing) which fails due to a defect in materials or workmanship. During this **four-year limited additional warranty**, GE will also provide, **free of charge**, all labor and related service to replace the defective part.

What GE Will Not Cover:

- Service trips to your home to teach you how to use the product.
- Improper installation, delivery or maintenance. If you have an installation problem, or if the air conditioner is of improper cooling capacity for the intended use, contact your dealer or installer. You are responsible for providing adequate electrical connecting facilities.
- Failure of the product resulting from modifications to the product or due to unreasonable use including failure to provide reasonable and necessary maintenance.
- In commercial locations labor necessary to move the unit to a location where it is accessible for service by an individual technician.
- Replacement of house fuses or resetting of circuit breakers.
- Failure due to corrosion on models not corrosion-protected.
- Damage to the product caused by improper power supply voltage, accident, fire, floods or acts of God.
- Incidental or consequential damage caused by possible defects with this air conditioner.
- Damage caused after delivery.
- Product not accessible to provide required service.

EXCLUSION OF IMPLIED WARRANTIES—Your sole and exclusive remedy is product repair as provided in this Limited Warranty. Any implied warranties, including the implied warranties of merchantability or fitness for a particular purpose, are limited to one year or the shortest period allowed by law.

This warranty is extended to the original purchaser and any succeeding owner for products purchased for home use within the USA and Canada. If the product is located in an area where service by a GE Authorized Servicer is not available, you may be responsible for a trip charge or you may be required to bring the product to an Authorized GE Service location for service. In Alaska, the warranty excludes the cost of shipping or service calls to your home.

Some states do not allow the exclusion or limitation of incidental or consequential damages. This warranty gives you specific legal rights, and you may also have other rights which vary from state to state. To know what your legal rights are, consult your local or state consumer affairs office or your state's Attorney General.

Warrantor: General Electric Company. Louisville, KY 40225

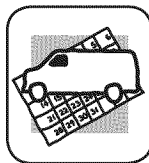
Consumer Support.



GE Appliances Website

GEAppliances.com

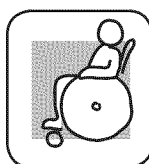
Have a question or need assistance with your appliance? Try the GE Appliances Website 24 hours a day, any day of the year! For greater convenience and faster service, you can now download Owner's Manuals, order parts or even schedule service on-line.



Schedule Service

GEAppliances.com

Expert GE repair service is only one step away from your door. Get on-line and schedule your service at your convenience any day of the year! Or call 800.GE.CARES (800.432.2737) during normal business hours.



Real Life Design Studio

GEAppliances.com

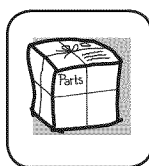
GE supports the Universal Design concept—products, services and environments that can be used by people of all ages, sizes and capabilities. We recognize the need to design for a wide range of physical and mental abilities and impairments. For details of GE's Universal Design applications, including kitchen design ideas for people with disabilities, check out our Website today. For the hearing impaired, please call 800.TDD.GEAC (800.833.4322).



Extended Warranties

GEAppliances.com

Purchase a GE extended warranty and learn about special discounts that are available while your warranty is still in effect. You can purchase it on-line anytime, or call 800.626.2224 during normal business hours. GE Consumer Home Services will still be there after your warranty expires.



Parts and Accessories

GEAppliances.com

Individuals qualified to service their own appliances can have parts or accessories sent directly to their homes (VISA, MasterCard and Discover cards are accepted). Order on-line today, 24 hours every day or by phone at 800.626.2002 during normal business hours.

Instructions contained in this manual cover procedures to be performed by any user. Other servicing generally should be referred to qualified service personnel. Caution must be exercised, since improper servicing may cause unsafe operation.



Contact Us

GEAppliances.com

If you are not satisfied with the service you receive from GE, contact us on our Website with all the details including your phone number, or write to:

General Manager, Customer Relations
GE Appliances, Appliance Park
Louisville, KY 40225



Register Your Appliance

GEAppliances.com

Register your new appliance on-line—at your convenience! Timely product registration will allow for enhanced communication and prompt service under the terms of your warranty, should the need arise. You may also mail in the pre-printed registration card included in the packing material.



Conditionneur d'air

Instructions de sécurité 20, 21

Instructions de fonctionnement 22-24

Entretien et nettoyage

Filtre à air 26
Grille frontale 25
Grille et boîtier 25
Serpentins extérieurs 25

Instructions de montage

Avant de commencer 27-29
Installation d'un modèle « J » dans un logement mural existant 30
Installation à travers le mur—Facultatif 31

En cas de panne

Avant d'appeler le service 32
Bruits normaux de fonctionnement 32

Soutien au consommateur

Garantie 35
Soutien au consommateur 36

Manuel d'utilisation et instructions d'installation

Rafraîchissement uniquement	AJCM 08, 10 AJCM 10, 12 AJCQ 06 AJCQ 08, 10, 12 AJCQ 09, 10, 12	ACE* DCE* LCE* ACE* DCE*
Réchauffement/rafraîchissement	AJEM 12 AJEQ 06 AJEQ 08 AJEQ 09, 10, 12	DCE LCE ACE DCE

*Produit avec l'étiquette ENERGY STAR®



En qualité de partenaire ENERGY STAR®, GE a trouvé que ce produit rencontre les directives d'ENERGY STAR® en matière d'efficacité énergétique.

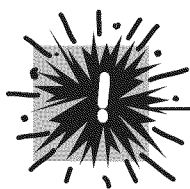
Transcrivez les numéros de modèle et de série ici :

de modèle _____

de série _____

Trouvez ces numéros sur une étiquette placée derrière la carrosserie côté chambre, sur le plateau.

RENSEIGNEMENTS IMPORTANTS EN MATIÈRE DE SÉCURITÉ. LISEZ TOUTES LES INSTRUCTIONS AVANT USAGE.



PRÉCAUTIONS DE SÉCURITÉ

⚠ AVERTISSEMENT! *Risque d'électrocution. Peut causer des blessures, voire le décès. Pour votre sécurité, vous devez suivre les instructions de ce manuel pour réduire les risques d'incendie, de secousse électrique et de blessure.*

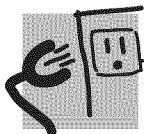
- N'utilisez cet appareil que pour son usage prévu, tel que décrit dans le Manuel de l'utilisateur.
- Vous devez bien monter ce conditionneur, conformément aux Instructions de montage, avant de l'utiliser.
- Ne débranchez jamais votre conditionneur en tirant sur le cordon d'alimentation. Saisissez fermement la fiche et sortez-la droit de sa prise.
- Remplacez immédiatement tout cordon d'alimentation abîmé ou endommagé. Un cordon d'alimentation électrique endommagé ne doit pas être réparé mais plutôt remplacé par un autre cordon d'alimentation obtenu du fabricant. N'utilisez pas un cordon

d'alimentation qui montre des fissures ou des signes d'abrasion sur sa longueur ou encore près de la prise ou du connecteur.

- Éteignez et débranchez votre climatiseur avant de procéder à une réparation ou un nettoyage.

REMARQUE : *Nous vous recommandons instamment de faire effectuer tout service par un technicien qualifié.*

- Pour votre sécurité...ne rangez jamais ou n'utilisez jamais des matériaux combustibles, de l'essence ou d'autres vapeurs ou liquides inflammables à proximité de cet appareil ou de tout autre appareil électroménager.
- Tous les conditionneurs contiennent des fluides frigorigènes qui, en vertu de la loi fédérale, doivent être retirés avant la mise au rebut de l'appareil. Si vous vous débarrassez d'un vieil appareil contenant des fluides frigorigènes, renseignez-vous sur la façon de faire auprès de l'entreprise qui s'occupe de la mise au rebut.



ALIMENTATION DE L'APPAREIL

⚠ AVERTISSEMENT! *Risque d'électrocution. Peut causer des blessures, voire le décès. Cet appareil doit être mis à la terre correctement. Ne coupez ou n'enlevez jamais la broche de mise à la terre (la troisième broche de la fiche) du cordon d'alimentation. Pour votre sécurité personnelle, cet appareil doit être bien mis à la terre.*

- Le cordon d'alimentation de cet appareil est muni d'une fiche triphasée (mise à la terre) qui correspond à une prise murale normale triphasée, pour réduire le danger de secousse électrique.
- Faites vérifier la prise murale et le circuit électrique par un électricien qualifié pour vous assurer que la prise est bien à la terre.
- Le cordon d'alimentation peut comprendre un mécanisme d'interruption de courant. Un bouton d'essai et de remise en marche est fourni sur le boîtier de la prise. Vous devez essayer le mécanisme périodiquement en appuyant d'abord sur le bouton **TEST** (essai) puis sur le bouton **RESET** (remise en marche).

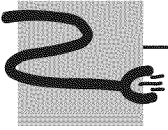
Si le bouton **TEST** ne bascule pas ou si le bouton **RESET** ne reste pas enfoncé, cessez d'utiliser votre conditionneur d'air et appelez un technicien de service qualifié.

- Si vous avez une prise biphasée, vous êtes personnellement responsable et obligé de la faire remplacer par une prise murale triphasée bien mise à la terre.

⚠ AVERTISSEMENT! *Risque d'électrocution. Peut causer des blessures, voire le décès.*

- Vous devez toujours brancher le conditionneur dans sa propre prise électrique, d'un voltage qui correspond à la plaque signalétique. Cela vous permettra d'obtenir le meilleur rendement et empêchera la surcharge des circuits électriques de la maison, qui risque d'occasionner un danger d'incendie.
- Consultez les Instructions de montage, section des Exigences électriques, pour les exigences de branchements électriques particuliers.

⚠ AVERTISSEMENT ! UTILISATION DE RALLONGES



RISQUE D'INCENDIE. Peut occasionner des blessures graves ou la mort.

- NE PAS utiliser de rallonge avec ce climatiseur.
- NE PAS utiliser de parasurtenseur ou d'adaptateur à prises multiples avec ce climatiseur.

UTILISATION DE FICHES D'ADAPTATION—



(Les fiches d'adaptation sont interdites au Canada)

⚠ AVERTISSEMENT! Risque d'électrocution. Peut causer des blessures, voire le décès.

- Nous sommes absolument opposés à l'utilisation d'une fiche d'adaptation.
- Si vous devez utiliser une fiche d'adaptation, quand les codes locaux le permettent, vous pouvez établir un **contact temporaire** avec une prise murale biphasée bien mise à la terre, en utilisant une fiche d'adaptation homologuée UL en vente dans un grand nombre de quincailleries.
- La fente la plus grande de l'adaptateur doit être alignée à la plus grande fente de la prise murale pour obtenir une bonne polarité avec le cordon d'alimentation.
- Quand vous débranchez le cordon d'alimentation de l'adaptateur, tenez l'adaptateur en place en tirant la fiche du cordon d'alimentation avec votre autre main. Si vous ne le faites pas, vous casserez probablement la broche de mise à la terre de l'adaptateur.
- Si la broche de mise à la terre de l'adaptateur est cassée, **N'UTILISEZ PAS** le conditionneur avant de bien le remettre à la terre.
- Si vous fixez la broche de mise à la terre de l'adaptateur à une vis du couvercle de la prise murale, cela ne met pas à la terre l'appareil, à moins que la vis soit en métal et pas isolée et que la prise murale soit mise à la terre par l'intermédiaire du câblage de la maison. Vous devez faire vérifier le circuit par un électricien qualifié pour vous assurer que la prise est bien mise à la terre.

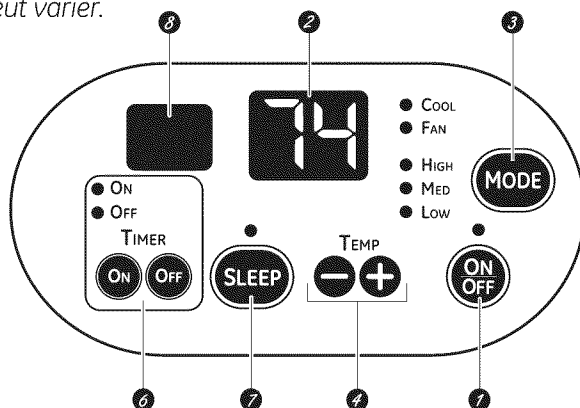


**LISEZ ET SUIVEZ SCRUPULEUSEMENT CES
INFORMATIONS DE SÉCURITÉ.**

CONSERVEZ CES INSTRUCTIONS

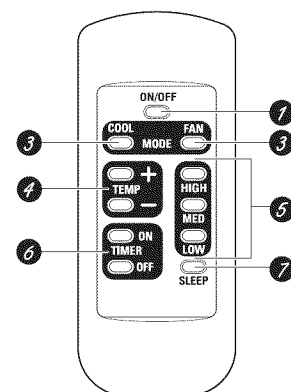
Commandes sur le conditionneur— Modèles avec mode Cool (Climatisation) seulement

L'aspect peut varier.



Commandes du conditionneur

Les témoins lumineux à côté des touches à effleurement sur le tableau de commande du conditionneur indiquent les réglages sélectionnés.



Télécommande



Commandes

- 1 ON/OFF (marche/arrêt)**
Met le conditionneur en position de marche ou d'arrêt.
- 2 Affichage**
Affiche le réglage de température. Affiche les heures ors du réglage de la minuterie.
- 3 MODE**
Sur la télécommande, utilisez cette fonction pour régler le conditionneur au mode **COOL (frais)** ou **FAN (ventilateur)**.
Sur les commandes du conditionneur, utilisez cette fonction pour régler le mode **COOL** ou **FAN** à la vitesse de ventilateur **HIGH (haut)**, **MED (moyen)** ou **LOW (bas)**. Les témoins lumineux sur les commandes du conditionneur indiquent le mode et la vitesse du ventilateur sélectionnés.
- 4 TEMP Increase +/Decrease – Pads**
(touches d'augmentation/diminution de la température)
Utilisez cette fonction pour régler la température lorsque l'appareil est en mode **COOL**.
- 5 Vitesses du ventilateur (FAN)**
(télécommande seulement)
Utilisez cette fonction pour régler la vitesse du ventilateur à **LOW**, **MED** ou **HIGH**.
- 6 TIMER (minuterie)**
ON (marche) —Lorsque le conditionneur est en position d'arrêt, il peut être réglé pour démarrer automatiquement dans un délai d'une demi heure à 24 heures à son réglage précédent. Chaque effleurement augmente la durée d'une demi heure jusqu'à 10, puis d'une heure jusqu'à 24.

Pour annuler la minuterie en position marche, appuyez sur la touche ON (marche) jusqu'à la disparition de l'heure affichée.

OFF (arrêt) —Quand le conditionneur est en marche, vous pouvez le régler de manière à ce qu'il s'arrête automatiquement au bout d'une durée d'une demi heure à 24 heures. Chaque effleurement augmente la durée d'une demi heure jusqu'à 10, puis d'une heure jusqu'à 24.

Pour annuler la minuterie en position Arrêt, appuyez sur la touche OFF (arrêt) jusqu'à la disparition de l'heure affichée.

- 7 SLEEP (sommeil)**
Pressez cette touche pour faire fonctionner le conditionneur pendant 8 heures avant qu'il retourne au réglage précédent automatiquement.

Lorsque la minuterie de sommeil est réglée, la température sélectionnée augmentera automatiquement de 2° F (1° C) après la deuxième heure, puis de 1° F (0,5° C) par heure pour les deux heures suivantes.

Pour annuler le mode de sommeil, enfoncez la touche MODE ou la touche SLEEP (sommeil) une deuxième fois.

- 8 Récepteur de signaux de la télécommande**

REMARQUE : Lorsque le conditionneur est allumé, il démarre automatiquement avec les réglages précédemment utilisés.

Télécommande

- Pour vous assurer d'un fonctionnement adéquat, pointez la télécommande sur le récepteur de signal du conditionneur.
- Le rayon d'action du signal de la télécommande s'étend jusqu'à 21 pieds (6,4 m).
- Assurez-vous qu'aucun obstacle pouvant bloquer le signal ne se trouve entre le conditionneur et la télécommande.
- Assurez-vous que les piles sont récentes et installées correctement—voir la section Entretien et nettoyage.

MODE CLIMATISATION (COOL)

Télécommande

1. Appuyez sur la touche **COOL (frais)**.
2. Appuyez sur les touches **LOW (bas)**, **MED (moyen)** ou **HIGH (haut)** pour régler la vitesse de ventilateur voulue.
3. Appuyez sur les touches **INCREASE +/- DECREASE -** pour régler la température voulue entre 60° F (16° C) et 85° F (30° C) par incréments de 1° F (0,5° C).

Tableau de commande

1. Appuyez sur la touche **MODE** jusqu'à ce que le témoin lumineux de la fonction **COOL** soit allumé, et jusqu'à ce que le témoin lumineux de la vitesse de ventilateur voulue **LOW**, **MED** ou **HIGH** soit aussi allumé.
2. Appuyez sur les touches **INCREASE +/- DECREASE -** pour régler la température voulue entre 60° F (16° C) et 85° F (30° C) par incréments de 1° F (0,5° C).

Un thermostat est utilisé pour maintenir la température ambiante. Le compresseur effectuera un cycle marche-arrêt pour garder la température ambiante au niveau de confort choisi. Réglez le thermostat à une valeur plus basse et l'air intérieur se refroidira.

Réglez le thermostat à une valeur plus élevée et l'air intérieur se réchauffera.

REMARQUE : Si le conditionneur en position d'arrêt est mis en position de marche alors qu'il est réglé à **COOL**, il faudra environ 3 minutes pour démarrer le compresseur et amorcer un refroidissement.

Instructions concernant la climatisation

Pour un refroidissement normal—Sélectionnez le mode **COOL** et la vitesse de ventilateur **HIGH** ou **MED** avec un réglage de température moyen.

Pour un refroidissement maximal—Sélectionnez le mode **COOL** et la vitesse de ventilateur **HIGH** avec un réglage de température plus bas.

Pour un refroidissement plus silencieux ou durant la nuit—Sélectionnez le mode **COOL** et la vitesse de ventilateur **LOW** avec un réglage de température moyen.

REMARQUE : Si vous passez du mode **COOL** au mode **FAN** ou à la position **OFF (arrêt)**, attendez au moins 3 minutes avant de revenir au mode **COOL**.

MODE VENTILATEUR (FAN)

Utilisez le mode **FAN (ventilateur)** pour filtrer et faire circuler l'air sans refroidissement. Étant donné qu'un réglage en mode ventilateur seulement n'entraîne pas de refroidissement, le réglage de température ne sera pas affiché.

Télécommande

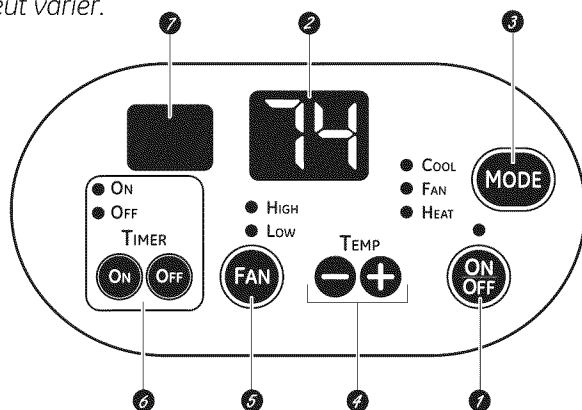
Appuyez sur la touche **FAN**. Appuyez sur les touches **LOW (bas)**, **MED (moyen)** ou **HIGH (haut)** pour régler le ventilateur à la vitesse désirée.

Tableau de commande

Appuyez sur la touche **MODE** jusqu'à ce que le témoin lumineux **FAN** soit allumé et jusqu'à ce que le témoin lumineux **LOW**, **MED** ou **HIGH** correspondant à la vitesse voulue soit aussi allumé.

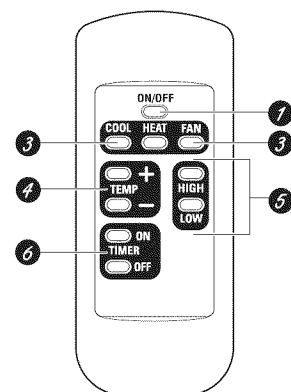
Commandes sur le conditionneur— Modèles avec modes Chauffage/Climatisation

L'aspect peut varier.



Commandes du conditionneur

Les témoins lumineux à côté des touches à effleurement sur le tableau de commande du conditionneur indiquent les réglages sélectionnés.



Télécommande



Commandes

- 1 ON/OFF (marche/arrêt)**
Met le conditionneur en position de marche ou d'arrêt.
- 2 Affichage**
Affiche le réglage de température. Affiche les heures lors du réglage de la minuterie.
- 3 MODE**
Sur les commandes du conditionneur, utilisez cette fonction pour régler le mode **COOL (frais)**, **HEAT (chaleur)** ou **FAN (ventilateur)**. Les témoins lumineux sur les commandes du conditionneur indiquent le mode sélectionné.
- 4 TEMP Increase +/Decrease – Pads**
(Touches d'augmentation/Diminution de la température)
Utilisez cette fonction pour régler la température lorsque l'appareil est en mode **COOL** ou **HEAT**.
- 5 Vitesses du ventilateur (FAN)**
(Télécommande seulement)
Utilisez cette fonction pour régler la vitesse du ventilateur à **LOW (bas)** ou **HIGH (haut)**. Les témoins lumineux indiquent la vitesse sélectionnée.

- 6 TIMER (minuterie)**
ON (marche)—Lorsque le conditionneur est en position d'arrêt, il peut être réglé pour démarrer automatiquement dans un délai d'une demi heure à 24 heures à son réglage précédent. Chaque effleurement augmente la durée d'une demi heure jusqu'à 10, puis d'une heure jusqu'à 24.
Pour annuler la minuterie en position marche, appuyez sur la touche **ON** (marche) jusqu'à la disparition de l'heure affichée.
OFF (arrêt)—Quand le conditionneur est en marche, vous pouvez le régler de manière à ce qu'il s'arrête automatiquement au bout d'une durée d'une demi heure à 24 heures. Chaque effleurement augmente la durée d'une demi heure jusqu'à 10, puis d'une heure jusqu'à 24.
Pour annuler la minuterie en position Arrêt, appuyez sur la touche **OFF (arrêt)** jusqu'à la disparition de l'heure affichée.

7 Récepteur de signaux de la télécommande

REMARQUE: Lorsque le conditionneur est allumé, il démarre automatiquement avec les réglages précédemment utilisés.

Télécommande

- Pour vous assurer d'un fonctionnement adéquat, pointez la télécommande sur le récepteur de signal du conditionneur.
- Le rayon d'action du signal de la télécommande s'étend jusqu'à 21 pieds (6,4 m).
- Assurez-vous qu'aucun obstacle pouvant bloquer le signal ne se trouve entre le conditionneur et la télécommande.
- Assurez-vous que les piles sont récentes et installées correctement—voir la section Entretien et nettoyage.

MODE CLIMATISATION (COOL)

Télécommande

1. Appuyez sur la touche **COOL (frais)**.
2. Appuyez sur les touches **LOW (bas)**, **MED (moyen)** ou **HIGH (haut)** pour régler la vitesse de ventilateur voulue.
3. Appuyez sur les touches **INCREASE +/ DECREASE -** pour régler la température voulue entre 60 °F (16 °C) et 85 °F (30 °C) par incréments de 1 °F (0,5 °C).

Tableau de commande

1. Appuyez sur la touche **MODE** jusqu'à ce que le témoin lumineux de la fonction **COOL** s'allume.
2. Appuyez sur la touche **FAN (ventilateur)** jusqu'à ce que le témoin lumineux de la vitesse voulue **HIGH** ou **LOW** s'allume.
3. Appuyez sur les touches **INCREASE +/ DECREASE -** pour régler la température voulue entre 60 °F (16 °C) et 85 °F (30 °C) par incréments de 1 °F (0,5 °C).

Un thermostat est utilisé pour maintenir la température ambiante. Le compresseur effectuera un cycle marche-arrêt pour garder la température ambiante au niveau de confort choisi.

Réglez le thermostat à une valeur plus basse et l'air intérieur se refroidira. Réglez le thermostat à une valeur plus élevée et l'air intérieur se réchauffera.

REMARQUE : Si le conditionneur en position d'arrêt est mis en position de marche alors qu'il est réglé à **COOL**, il faudra environ 3 minutes pour démarrer le compresseur et amorcer un refroidissement.

Instructions concernant la climatisation

Pour un refroidissement normal—Sélectionnez le mode **COOL** et la vitesse de ventilateur **HIGH** ou **MED** avec un réglage de température moyen.

Pour un refroidissement maximal—Sélectionnez le mode **COOL** et la vitesse de ventilateur **HIGH** avec un réglage de température plus bas.

Pour un refroidissement plus silencieux ou durant la nuit—Sélectionnez le mode **COOL** et la vitesse de ventilateur **LOW** avec un réglage de température moyen.

REMARQUE : Il y a un délai de 3 minutes entre les changements de réglage, par exemple de **COOL** à **OFF (arrêt)** et retour à **COOL**.

MODE CHAUFFAGE (HEAT)

Télécommande

1. Appuyez sur la touche **HEAT (chaleur)**.
2. Appuyez sur la touche **LOW (bas)** ou **HIGH (haut)** pour régler la vitesse de ventilateur voulue.
3. Appuyez sur les touches **INCREASE +/ DECREASE -** pour régler la température voulue entre 60 °F (16 °C) et 85 °F (30 °C) par incréments de 1 °F (0,5 °C).

Tableau de commande

1. Appuyez sur la touche **MODE** jusqu'à ce que le témoin lumineux de la fonction **HEAT** s'allume.
2. Appuyez sur la touche **FAN** jusqu'à ce que le témoin lumineux de la vitesse de ventilateur voulue **HIGH** ou **LOW** s'allume.
3. Appuyez sur les touches **INCREASE +/ DECREASE -** pour régler la température voulue entre 60 °F (16 °C) et 85 °F (30 °C) par incréments de 1 °F (0,5 °C).

Un thermostat peut être utilisé afin de maintenir la température ambiante. La chaufferette démarrera puis s'arrêtera pour maintenir la température de la pièce selon le niveau de confort désiré. Réglez le

thermostat à une température plus élevée et l'air intérieur deviendra plus chaud.

Réglez le thermostat à une valeur plus élevée et l'air intérieur se réchauffera. Réglez le thermostat à une valeur plus basse et l'air intérieur se refroidira.

REMARQUE : Si le conditionneur d'air est éteint puis redémarrer alors que le réglage est sur **HEAT (chaleur)**, il faudra environ 1 minute pour que la chaufferette démarre et que le réchauffement commence.

Instructions concernant le chauffage

Pour un réchauffement normal—Sélectionnez le mode **HEAT** et la vitesse de ventilateur **HIGH** avec un réglage de température moyen.

Pour un réchauffement maximal—Sélectionnez le mode **HEAT** et la vitesse de ventilateur **HIGH** avec un réglage de température plus élevé.

Pour un réchauffement plus silencieux ou durant la nuit—Sélectionnez le mode **HEAT** et la vitesse de ventilateur **LOW** avec un réglage de température moyen.

VENTILATEUR (FAN)

Utilisez le mode FAN pour filtrer et faire circuler l'air sans refroidissement ou chauffage. Étant donné qu'un réglage en mode ventilateur seulement n'entraîne ni refroidissement ni chauffage, le réglage de température ne sera pas affiché.

Télécommande

Appuyez sur la touche **FAN**. Appuyez sur les touches **LOW (bas)**, **MED (moyen)** ou **HIGH (haut)** pour régler le ventilateur à la vitesse désirée.

Tableau de commande

Appuyez sur la touche **MODE** jusqu'à ce que le témoin lumineux FAN soit allumé et jusqu'à ce que le témoin lumineux **LOW**, **MED** ou **HIGH** correspondant à la vitesse voulue soit aussi allumé.

Au sujet des commandes sur le climatiseur.

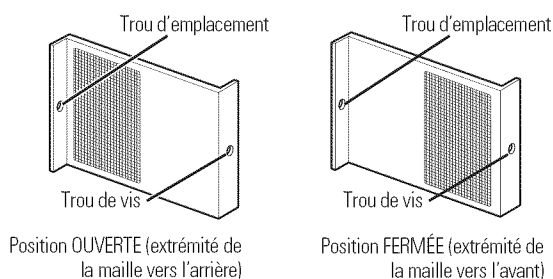
Commande d'évent

La commande d'évent est située derrière la grille frontale sur le côté droit de la zone d'évacuation d'air. Lorsque cette commande est réglée à **CLOSE**, seul l'air à l'intérieur de la pièce est climatisé et mis en circulation. Lorsqu'elle est réglée à **OPEN**, l'évent permet un échange avec l'air frais de l'extérieur.

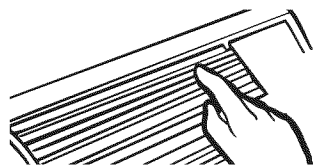
Pour ouvrir ou fermer l'évent :

1. Retirer la grille frontale.
2. Enlevez la vis de la carte d'évent.
3. Enlevez la carte d'évent, retournez-la et remplacez-la en trouvant le trou arrière dans la carte sur le taquet d'emplacement à l'intérieur de la décharge d'air et en rattachant la vis à l'avant.

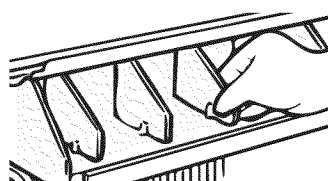
L'appareil quitte l'usine en position fermée.



Direction de l'air



Des persiennes horizontales sur la grille frontale vous permettent de diriger l'air vers le haut ou le bas.



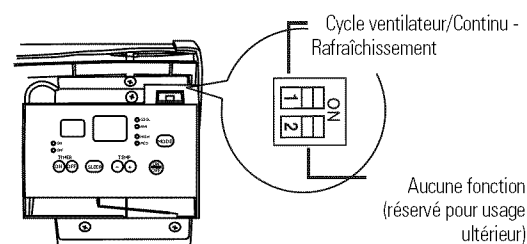
Retirez la grille frontale pour régler les persiennes verticales de façon à diriger l'air vers la gauche ou la droite.

Modèles avec rafraîchissement seulement

Commandes auxiliaires - Commutateurs DIP (l'emplacement varie selon le modèle)

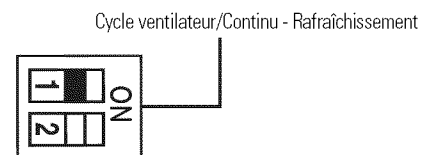
Les commandes à commutateurs DIP sont situées derrière le châssis, comme indiqué sur l'illustration.

Il est de la responsabilité du propriétaire de vérifier les commutateurs et de s'assurer qu'ils sont à la position voulue.



Cycle ventilateur/Continu - Rafraîchissement

Lorsque ce commutateur est activé (DROITE), il permet au ventilateur intérieur de se mettre sous et hors tension en alternance parallèlement au compresseur. Lorsque ce commutateur est désactivé (GAUCHE), il permet au ventilateur intérieur de fonctionner en continu. Le réglage par défaut est gauche (en continu).

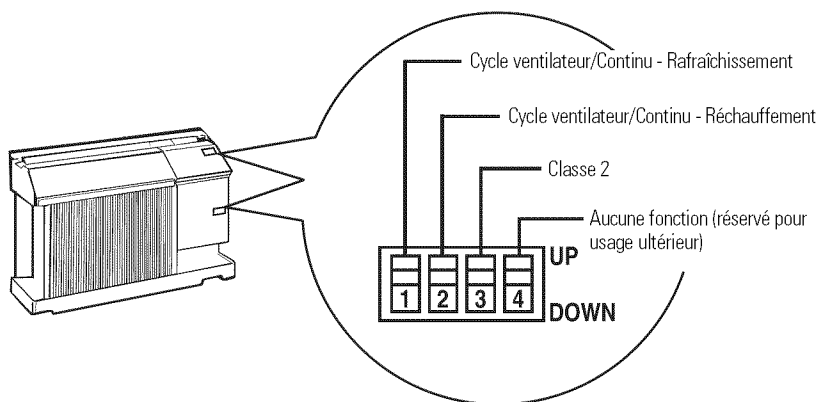


Modèles réchauffement/rafraîchissement

Commandes auxiliaires - Commutateurs DIP (l'emplacement varie selon le modèle)

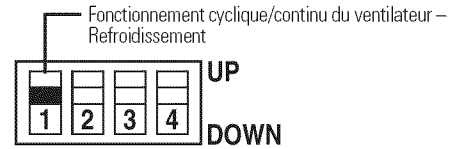
Les commandes à commutateurs DIP sont situées derrière le châssis, comme indiqué sur l'illustration.

Il est de la responsabilité du propriétaire de vérifier les commutateurs et de s'assurer qu'ils sont à la position voulue.



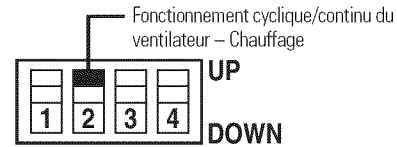
Fonctionnement cyclique/continu du ventilateur – Refroidissement

Quand ce commutateur est branché (UP) (haut), le ventilateur intérieur se met en marche et s'arrête avec le compresseur. Quand ce commutateur est débranché (DOWN) (bas), le ventilateur intérieur fonctionne continuellement. Le réglage par défaut est la position basse (continuellement).



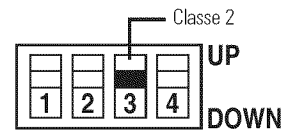
Fonctionnement cyclique/continu du ventilateur – Chauffage

Lorsque ce commutateur est activé (UP) (haut), le ventilateur intérieur peut fonctionner continuellement en mode chauffage. Lorsqu'il est désactivé (DOWN) (bas), le ventilateur intérieur peut effectuer des cycles entre la marche et l'arrêt (on/off). Le réglage par défaut est la position haute (cyclique).



Classe 2 – Thermostat à distance

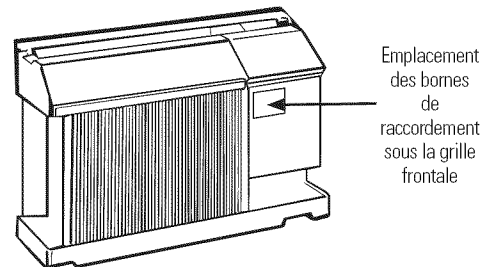
Quand ce commutateur est branché (UP) (haut), l'appareil est contrôlé par un thermostat mural avec commande à distance de classe 2. Les commandes de l'appareil sont hors service. Le réglage par défaut est la position basse (désactivé).



Bornes de raccordement du thermostat à distance - Classe 2 (sur certains modèles)

Les commandes sont situées sous le couvercle de plastique, derrière la grille frontale.

- 1 Enlevez la grille frontale. Consultez la rubrique sur la grille frontale dans la section Entretien et nettoyage.
- 2 Enlevez les vis qui fixent le couvercle de plastique au-dessus des connexions de câblage. Mettez les vis et le couvercle de côté.
- 3 Pour faire les raccordements, insérez les fils dans le bas des bornes et vissez les vis fermement.
- 4 Une fois terminés les raccordements voulus, remplacez le couvercle de plastique et la grille frontale.



Le propriétaire est responsable de faire tous les raccordements et de régler les commutateurs DIP appropriés.

Une fois raccordé, l'appareil sera contrôlé par un thermostat à distance.

REMARQUE : Le commutateur numéro 3 doit être activé (position haute) pour activer le thermostat à distance. (Voir les instructions d'installation fournies avec le thermostat à distance.)

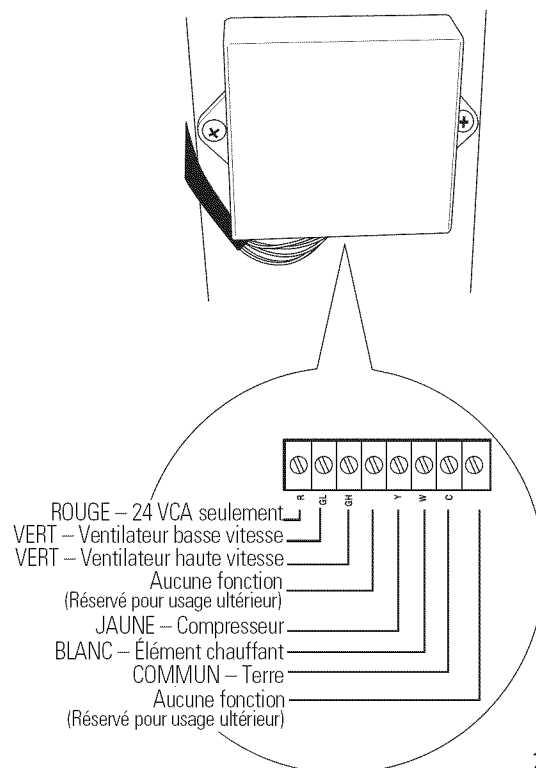
IMPORTANT:

Les raccordements du thermostat procurent un courant de 24 VCA seulement.

Si vous utilisez un thermostat mural numérique/électronique, assurez-vous qu'il est compatible avec un signal de 24 VCA. Consultez les instructions d'installation du thermostat mural.

AVIS:

L'endommagement du thermostat mural ou de l'électronique peut résulter de raccordements incorrects. Une attention spéciale doit être apportée au raccordement des fils. Aucun circuit ne doit être raccordé à une tension secteur. Isolez de la tension secteur tous les fils dans le bâtiment.



Entretien et nettoyage du conditionneur.

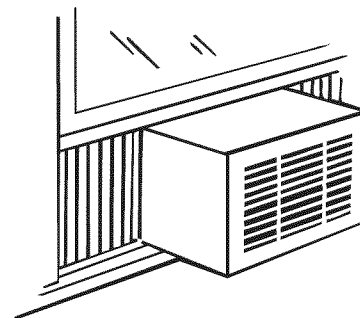
Grille et boîtier

Éteignez le conditionneur et retirez la fiche d'alimentation électrique de la prise murale avant le nettoyage. Pour nettoyer, utilisez de

l'eau et un détergent doux. N'utilisez jamais d'agent de blanchiment ou d'abrasif.

Serpentins extérieurs

Les serpentins situés du côté extérieur du conditionneur doivent être vérifiés régulièrement. S'ils sont obstrués par de la saleté ou de la suie, il est possible de les faire nettoyer à la vapeur par des professionnels en passant par votre Centre de services GE.

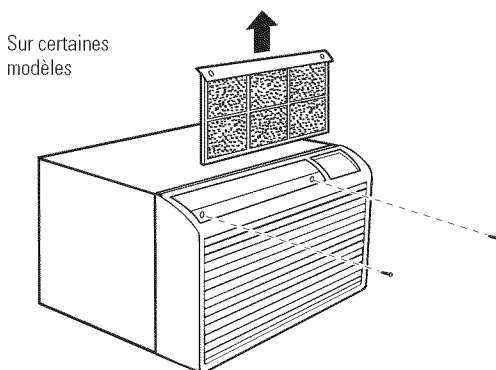


Grille frontale

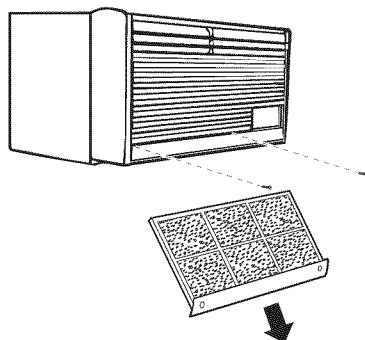
La grille frontale peut être enlevée pour nettoyer en profondeur et repérer les numéros de modèle et de série à l'avant du plateau.

Pour retirer :

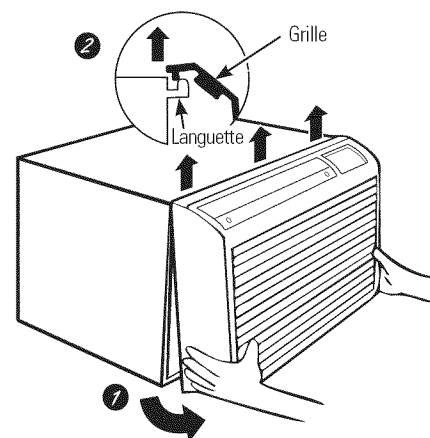
1. Tirez sur le filtre pour le dégager.
2. Enlevez les deux vis de la grille.



Sur certains modèles



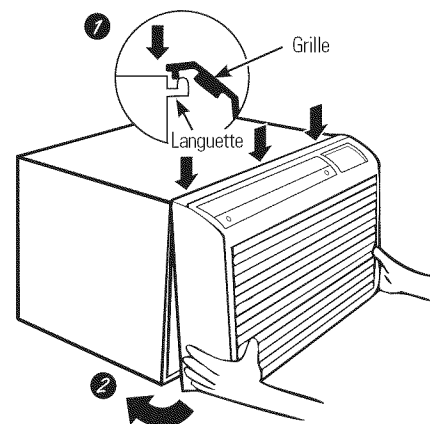
3. Dégagez la grille du bas et soulevez-la à partir des languettes situées sur le dessus du boîtier.



Pour replacer :

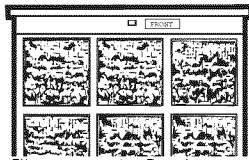
Placez les languettes sur la grille frontale vis-à-vis des languettes sur le devant du boîtier et mettez-les en place en exerçant une pression.

Remplacez les vis et le filtre.

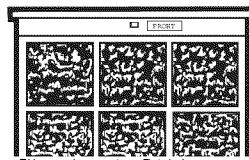


Pour conserver un rendement optimal, nettoyez le filtre au moins tous les 30 jours.

Filtre à air



Filtre encrassé – Requiert un nettoyage



Filtre obstrué – Réduit considérablement le climatisation, le chauffage et la ventilation.

Éteignez le conditionneur avant le nettoyage.

La mesure la plus utile que vous pouvez prendre pour entretenir votre conditionneur est de nettoyer le filtre au moins tous les 30 jours. Un filtre obstrué réduit l'efficacité de la climatisation, du chauffage et de la ventilation.

Le nettoyage régulier du filtre à air :

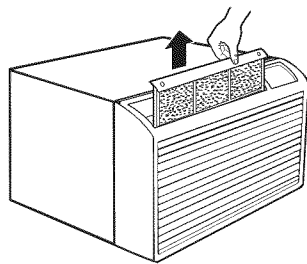
- Diminue le coût de fonctionnement;
- Économise l'énergie;
- Prévient l'obstruction des serpentins de l'échangeur de chaleur;
- Réduit le risque de défauts précoces.

Pour nettoyer le filtre à air :

- Enlevez les particules grossières avec l'aspirateur.
- Faites circuler de l'eau à travers le filtre.
- Séchez à fond avant de le remettre en place.

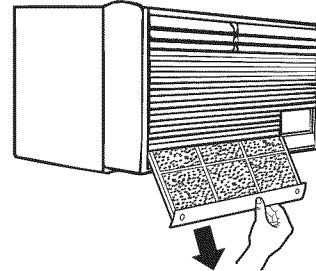
Pour retirer le filtre à air, sur certains modèles :

Tirez soigneusement la languette vers l'avant et le haut pour la dégager.



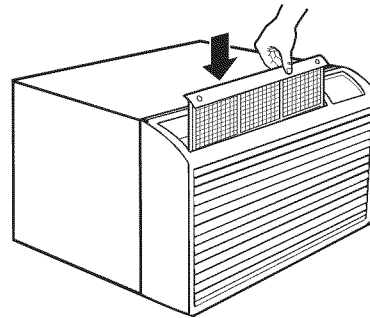
Pour retirer le filtre à air, sur certains modèles :

Tirez vers le bas.



Pour remettre le filtre à air en place :

Remplacez le filtre propre en le poussant en place.



AVIS : Ne faites pas fonctionner le conditionneur si le filtre n'est pas en place. Le filtre doit être remplacé immédiatement s'il est tordu ou endommagé.

Le fonctionnement de l'appareil avec un filtre endommagé ou mal placé permet à la saleté et la poussière d'atteindre les serpentins intérieurs et réduit le rendement de l'appareil et l'efficacité de la climatisation, du chauffage et de la ventilation.

Vous pouvez vous procurer des filtres de remplacement auprès de votre vendeur, votre revendeur GE, votre Centre de services et pièces GE ou de réparateurs Customer Care® autorisés.

Comment insérer les piles dans la télécommande

- 1 Enlevez le couvercle du logement des piles en le faisant glisser dans le sens de la flèche.
- 2 Insérez les nouvelles piles en vous assurant que les pôles (+) et (-) des piles sont orientés dans la bonne direction.
- 3 Remettez le couvercle en le faisant glisser en place.

REMARQUE :

- Utilisez 2 piles « AAA » (1,5 volt). N'employez pas de piles rechargeables.
- Retirez les piles de la télécommande si vous ne prévoyez pas utiliser le système sur une longue période de temps.
- Ne mélangez pas les piles neuves avec les piles usées. Ne mélangez pas les piles de différents types : alcalines, standard (carbone-zinc) ou rechargeables (ni-cad, ni-mh, etc.).

Instructions de montage

Conditionneur d'air

? Questions? Composez le 1.800.361.3400 ou visitez notre site web à : www.electromenagersge.ca



AVANT DE COMMENCER

Veuillez lire toutes ces instructions attentivement.

- **IMPORTANT** – Conservez ces instructions à l'usage de l'inspecteur local.
- **IMPORTANT** – Respectez tous les codes et les ordonnances en vigueur.
- **Note au monteur** – Conservez le Manuel du propriétaire.
- **Note au consommateur** – Conservez ces instructions pour consultation ultérieure.
- **Niveau de compétence** – L'installation de cet appareil exige des compétences de base en mécanique.
- **Temps d'exécution** – Environ 1 heure
- Nous recommandons que l'installation de ce produit soit effectuée par deux personnes.
- La responsabilité de l'exactitude de l'installation incombe à l'installateur.
- La garantie ne couvre pas les défauts du produit causés par une installation inadéquate.

Période de rodage du climatiseur

NOTE – Comme tout appareil mécanique composé de pièces mobiles, ce climatiseur passera par une période de rodage. APRÈS L'INSTALLATION, cet appareil devra fonctionner durant 48 heures pour atteindre son efficacité optimale.



EXIGENCES EN MATIÈRE D'ALIMENTATION ÉLECTRIQUE

▲ AVERTISSEMENT! Risque d'électrocution. Peut causer des blessures, voire le décès. Cet appareil doit être mis à la terre correctement. En présence d'une prise murale à 2 trous, vous avez la responsabilité et l'obligation de la faire remplacer par une prise à 3 trous.



Certains modèles nécessitent une prise mise à la terre de 115/120 volts c.a. 60 Hz, protégée par un disjoncteur ou un fusible à fusion temporisé de 15 amp.

La fiche triphasée réduit le danger de secousse électrique. Si la prise murale que vous allez utiliser n'est qu'une prise biphasée, vous êtes responsable de la faire remplacer par une prise murale triphasée bien mise à la terre.

N'enlevez, ne coupez ou n'ôtez jamais la troisième broche (de mise à la terre) du cordon d'alimentation.

Ne changez jamais la fiche du cordon d'alimentation de ce conditionneur.

Un câblage de la maison en aluminium peut occasionner des problèmes particuliers—consultez un électricien qualifié.



Certains modèles nécessitent une alimentation de 230/208 volts c.a., protégée par un disjoncteur ou un fusible à fusion temporisé. Vous devez monter ces modèles sur leur propre circuit dérivé pour éviter la surcharge des circuits de câblage de la maison ou de l'appartement, qui peut occasionner un danger d'incendie par surchauffe des câbles.



IMPORTANT! GE recommande fortement de retirer l'ancien boîtier mural et d'installer un boîtier mural neuf de GE. Si vous N'UTILISEZ PAS un boîtier mural GE, vous pourriez connaître un faible rendement ou une défektivité du produit. Ceci n'est pas couvert par les clauses et conditions de la garantie de GE.

Instructions de montage

Veillez lire toutes ces instructions attentivement.

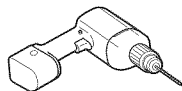
Le cordon d'alimentation peut comprendre un mécanisme d'interruption de courant. Un bouton d'essai et de remise en marche est fourni sur le boîtier de la prise. Vous devez essayer le mécanisme périodiquement en appuyant d'abord sur le bouton **TEST** (essai) puis sur le bouton **RESET** (remise en marche).

Si le bouton **TEST** ne bascule pas ou si le bouton **RESET** ne reste pas enfoncé, cessez d'utiliser votre conditionneur d'air et appelez un technicien de service qualifié.

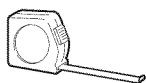
OUTILS DONT VOUS POUVEZ AVOIR BESOIN



Tournevis à tête Phillips



Perceuse



Mètre à ruban ou ridge



Scissors ou couteau



Scie à main ou scie sauteuse



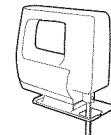
Clé anglaise



Crayon



Niveau



Scie à main ou scie sauteuse

NUMÉROS DE TROUSSES GE

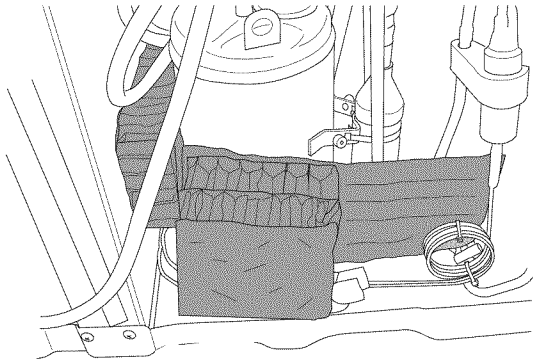
UTILISEZ LE NUMÉRO DE TROUSSE GE :	POUR :	DESCRIPTION:
RAB46A, 46, 47A, 47, 48A & 48	Utilisez ces trousse pour tous les modèles GE et les autres marques non listées	Logement mural standard pour châssis modèle « J ». Grille extérieure RAG13 en aluminium estampé incluse. Enlevez et remplacez le logement existant.
RAK65A1	Tous les modèles GE	Trousse pour installation dans fenêtre
RAK690	RAB36, 37, 38, 46, 47 ou 48 (Châssis « J »)	Si vous mettez une grille extérieure ornementale personnalisée, utilisez cette trousse pour obtenir une ventilation adéquate.
RAG13	RAB36, 37, 38, 46, 47 ou 48 (Châssis « J »)	Grille extérieure en aluminium standard (comprise avec les logements muraux RAB46, 47 et 48)
RAG14E	RAB36, 37, 38, 46, 47 ou 48 (Châssis « J »)	Grille extérieure ornementale à persiennes

Instructions de montage

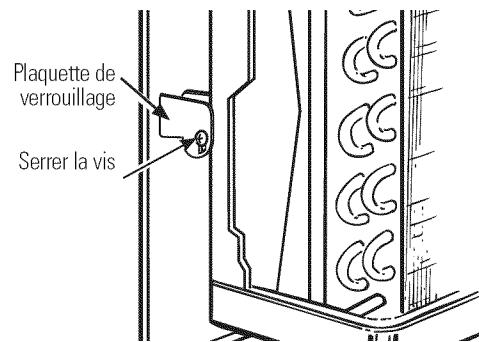
INSTALLATION D'UN MODÈLE « J » DANS UN LOGEMENT MURAL EXISTANT

Veuillez lire toutes ces instructions attentivement.

- 1** RETIREZ TOUT LE MATÉRIEL D'EMBALLAGE (S'IL Y A LIEU) À L'INTÉRIEUR DU CLIMATISEUR, À PROXIMITÉ DU COMPRESSEUR.

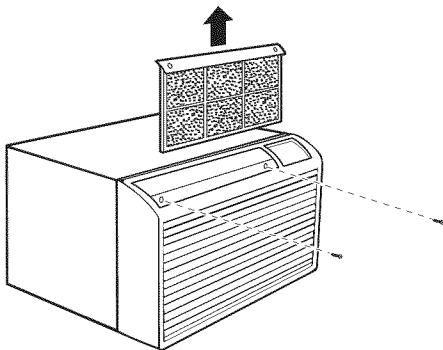


- 4** REPOSEZ LA PLAQUETTE DE VERROUILLAGE AVEC LA LANGUETTE DERRIÈRE LE BORD DU LOGEMENT MURAL. SERREZ LA VIS.



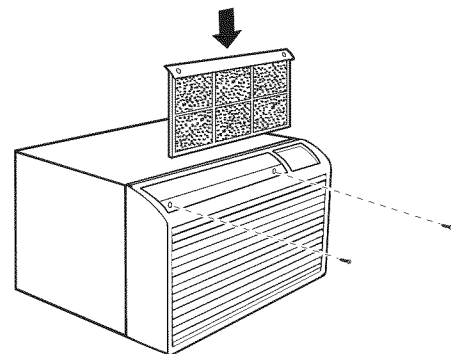
- 2** ENLEVEZ LE FILTRE ET LA GRILLE FRONTALE

Enlevez les deux vis derrière le filtre puis retirez la grille frontale.



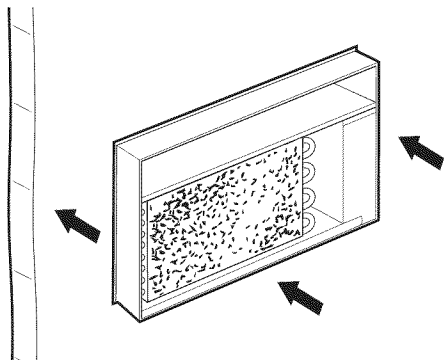
- 5** FIXEZ LA GRILLE FRONTALE

Un orifice pour le cordon électrique se trouve dans le bas de la grille frontale.



- 3** FAITES GLISSER AVEC PRÉCAUTION LE CLIMATISEUR DANS SON LOGEMENT

Assurez-vous que la tubulure sur l'appareil ne touche pas au logement mural et que ce dernier est monté solidement.



Instructions de montage

INSTALLATION À TRAVERS LE MUR

Veillez lire toutes ces instructions attentivement.

1 PRÉPARATION DE L'OUVERTURE DANS LE MUR

Assurez-vous qu'une prise électrique murale se trouve à proximité de l'ouverture, sinon veillez à en installer une.

La longueur du cordon électrique pour les modèles 115 volts est de 72 po (183 cm)

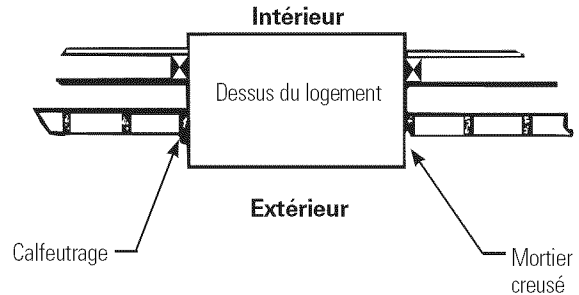
vers la droite et de 47 po (119 cm) vers la gauche. Pour les modèles 230/208 volts, la longueur est de 65 po (165 cm) vers la droite et de 39 po (99 cm) vers la gauche.

DIMENSIONS MIN. - OUVERTURE FINIE*		DIMENSIONS LOGEMENT		
Hauteur	Largeur	Hauteur	Largeur	Profondeur
15 3/4"	26 1/8"	15 5/8"	26 1/8"	16"

*Selon la situation sur le site, il peut s'avérer nécessaire d'augmenter les dimensions si des cornières sont utilisées pour fixer le logement.

3 SUPPORT DU CONDITIONNEUR

Le mortier entre le logement et la brique autour du logement peut être creusé à 45° pour améliorer le calfeutrage.



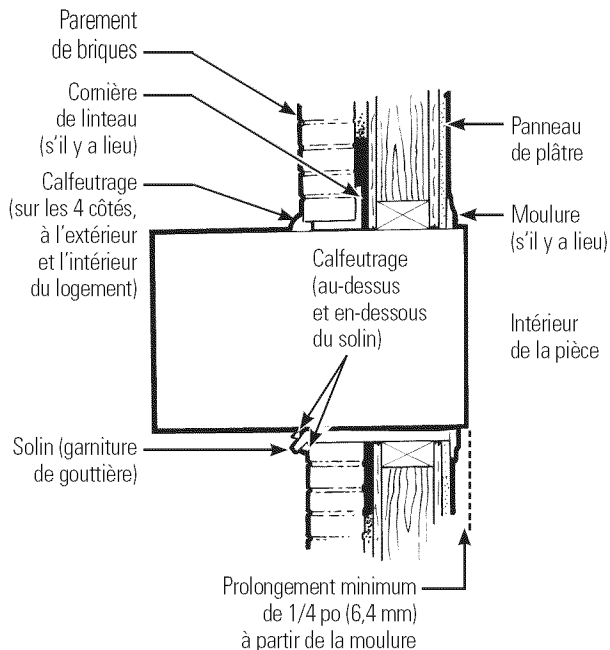
2 SUPPORT DU CONDITIONNEUR

Le logement mural du conditionneur doit être installé en excédant le mur intérieur ou extérieur d'au moins 1/4 po (6,4 mm).

Les côtés finis de l'ouverture doivent être des éléments de charpente du mur.

Linteau – Pour les murs de maçonnerie, utilisez un linteau pour supporter les briques ou les blocs au-dessus de l'ouverture. Le logement mural ne doit pas se substituer au linteau.

Solin – Installez un solin (garniture de gouttière) de la manière illustrée pour empêcher l'eau de dégoutter à l'intérieur du mur et sur l'extérieur du bâtiment.



Avant d'appeler le service . . .

En cas de panne : Économisez du temps et de l'argent! Étudiez le tableau ci-dessous : votre appel de service est peut-être inutile.

Problème	Causes possibles	Que faire
Le conditionneur ne se met pas en marche	Le conditionneur est débranché.	• Assurez-vous que la fiche du conditionneur soit bien branchée dans la prise murale.
	Le fusible a sauté/ le disjoncteur est ouvert.	• Vérifiez la boîte à fusible/à disjoncteurs et remplacez le fusible ou rebranchez le disjoncteur.
	Il y a une panne de courant.	• S'il se produit une panne de courant, débranchez le conditionneur en le mettant en position OFF (arrêt) . Quand le courant revient, attendez 3 minutes avant de remettre en marche le conditionneur, pour éviter de déclencher la surcharge du compresseur.
	Le mécanisme d'interruption de courant est déclenché.	• Appuyez sur le bouton RESET (remise en marche) situé sur la fiche du cordon électrique. • Si le bouton RESET ne reste pas enfoncé, arrêtez le conditionneur d'air et appelez un technicien qualifié.
Le conditionneur ne refroidit ou ne chauffe (certains modèles) pas comme il devrait	La circulation d'air est bloquée.	• Assurez-vous qu'il n'y a pas de rideau, de store ou de meuble qui bloque le devant du conditionneur.
	Le contrôle de température n'est pas bien réglé.	• En mode COOL (frais) ou HEAT (chaleur) (certains modèles), appuyez sur la touche DECREASE – pad.
	Le filtre à air est sale.	• Nettoyez le filtre au moins tous les 30 jours. Consulter la section Instructions de fonctionnement.
	La chambre était chaude.	• Après avoir mis en marche le conditionneur, attendez que la chambre se refroidisse.
	L'air froid s'échappe de la chambre.	• Vérifiez les grilles à registre de plancher et les reprises d'air froid. • Assurez-vous que l'évent du conditionneur est à la position fermée.
Les serpentins sont gelés.	• Consultez " Le conditionneur d'air gèle " ci-dessous.	
Le conditionneur d'air gèle	La glace bloque la circulation d'air et empêche le conditionneur de refroidir la chambre.	• Réglez les commandes à HIGH FAN (haut ventilateur) ou HIGH COOL (haut frais) et réglez le thermostat à une température plus élevée pour faire fondre la glace.
La télécommande ne fonctionne pas	Les piles ne sont pas insérées correctement.	• Vérifiez la position des piles. Elles doivent être insérées correctement.
	Les piles sont peut-être déchargées.	• Remplacer les piles.
De l'eau coule à l'extérieur	Il fait très chaud et humide.	• C'est normal.
De l'eau coule à l'intérieur	Le conditionneur n'est pas incliné vers l'extérieur.	• Pour obtenir une bonne évacuation de l'eau, assurez-vous que le conditionneur soit légèrement incliné de l'avant du boîtier vers l'arrière.
L'eau s'accumule dans le plateau du fond	L'humidité est extraite de l'air de la chambre et passe dans le plateau du fond.	• C'est normal pendant une période courte dans des régions peu humides; normal pendant des périodes plus longues dans des régions très humides.

Bruits normaux de fonctionnement

- Vous pouvez entendre un cliquetis dû à de l'eau qui est absorbée et est projetée contre le condensateur les jours de pluie où quand il y a beaucoup d'humidité. Cette caractéristique diminue l'humidité et améliore le rendement.
- Vous pouvez entendre le claquement du thermostat quand le compresseur se met en marche et s'arrête.
- De l'eau s'accumule dans le plateau du bas pendant les périodes de grande humidité ou s'il pleut. Cette eau peut déborder et couler de l'appareil du côté extérieur.
- Le ventilateur peut tourner même quand le compresseur ne fonctionne pas.

Garantie du conditionneur d'air.



Tout le service en vertu de la garantie est offert par nos centres de service d'usine ou par un technicien autorisé de Customer Care®. Pour obtenir le service, contactez Gordon Williams Corp. au 1.888.209.0999. Veuillez fournir le numéro de série et le numéro de modèle lorsque vous appelez pour obtenir le service.

Agrafez le reçu d'achat ici. Pour obtenir le service sous garantie, vous devrez fournir la preuve de l'achat original.

Pour la période de : Nous remplacerons :

Un an

À partir de la date d'achat original

Toute pièce du conditionneur qui ne fonctionne pas à cause d'un vice de matériau ou de main-d'œuvre. Pendant cette **garantie limitée d'un an**, nous fournirons également, gratuitement, toute la main-d'œuvre et le service connexe nécessaires pour remplacer la pièce défectueuse.

Cinq ans

À partir de la date d'achat original

Tout élément du système de réfrigération scellé (le compresseur, le condensateur, l'évaporateur et tous les tuyaux de connexion) qui ne fonctionne pas à cause d'un vice de matériau ou de main-d'œuvre. Pendant cette **garantie limitée supplémentaire de quatre ans**, nous fournirons également, gratuitement, toute la main-d'œuvre et le service connexe nécessaires pour remplacer la pièce défectueuse.

Ce qui n'est pas couvert :

- Les déplacements de service à votre maison pour vous apprendre à utiliser le produit.
- Un montage, une livraison ou un entretien déficient. Si vous avez un problème de montage ou si le conditionneur n'a pas la bonne capacité de refroidissement pour son usage prévu, appelez votre revendeur ou votre installateur. Vous êtes responsable de fournir une installation de raccordement électrique convenable.
- Les pannes occasionnées par des modifications au produit ou une utilisation non raisonnable, en particulier une absence d'entretien raisonnable et nécessaire.
- Dans les emplacements commerciaux, la main-d'œuvre nécessaire pour déménager l'appareil jusqu'à un emplacement où il est accessible par un technicien particulier.
- Le remplacement des fusibles de la maison ou la réactivation des disjoncteurs.
- Les pannes occasionnées par la corrosion sur les modèles qui ne sont pas protégés contre la corrosion.
- Les dommages occasionnés par un mauvais voltage de l'alimentation électrique, un accident, un incendie, une inondation ou une calamité naturelle.
- Les dommages indirects et consécutifs à la propriété personnelle occasionnés par des vices possibles de ce conditionneur.
- Les dommages occasionnés par la livraison.
- Le service s'il est impossible d'avoir accès au produit pour ce faire.

EXCLUSION DE GARANTIES IMPLICITES – Votre seul et unique recours est la réparation du produit selon les dispositions de cette Garantie limitée. Toutes les garanties implicites, incluant les garanties de commercialité et d'adéquation à un usage spécifique, sont limitées à une année ou à la période la plus courte autorisée par la législation.

Cette garantie couvre l'acheteur original et tout possesseur subséquent de produits achetés pour un usage au Canada. Si le produit est installé dans une région où ne se trouve aucun réparateur autorisé GE, vous devrez peut-être assumer les frais de transport ou apporter expédier le produit à un centre de service autorisé GE.

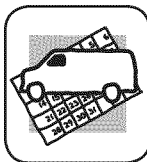
Certaines provinces ne permettent pas l'exclusion ou la limitation des dommages indirects ou consécutifs et, par conséquent, l'exclusion ci-dessus peut ne pas s'appliquer à vous. Cette garantie vous donne des droits juridiques particuliers et vous pouvez également avoir d'autres droits qui varient d'une province à l'autre. Pour connaître vos droits juridiques dans votre province, consultez votre bureau local ou provincial de protection des consommateurs.

Soutien au consommateur.



Site Web appareils électroménagers GE www.electromenagersge.ca

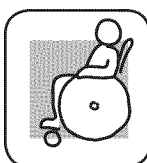
Vous avez une question ou vous avez besoin d'aide pour votre appareil électroménager? Contactez-nous par Internet au site www.electromenagersge.ca 24 heures par jour, tous les jours de l'année.



Service de réparations

1.800.561.3344

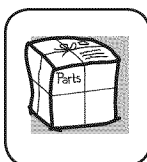
Service de réparations GE est tout près de vous.
Pour faire réparer votre électroménager GE, il suffit de nous téléphoner.



Studio de conception réaliste

Sur demande, GE peut fournir une brochure sur l'aménagement d'une cuisine pour les personnes à mobilité réduite.

Écrivez : Directeur, Relations avec les consommateurs, Mabe Canada Inc.
Bureau 310, 1 Factory Lane
Moncton, N.B. E1C 9M3



Pièces et accessoires

Ceux qui désirent réparer eux-mêmes leurs électroménagers peuvent recevoir pièces et accessoires directement à la maison (cartes VISA, MasterCard et Discover acceptées).

Les directives stipulées dans le présent manuel peuvent être effectuées par n'importe quel utilisateur. Les autres réparations doivent généralement être effectuées par un technicien qualifié. Soyez prudent, car une réparation inadéquate peut affecter le fonctionnement sécuritaire de l'appareil.

Vous trouverez dans les pages jaunes de votre annuaire le numéro du Centre de service Mabe le plus proche. Autrement, appelez-nous au 1.800.661.1616.



Contactez-nous

Si vous n'êtes pas satisfait du service après-vente dont vous avez bénéficié :

Premièrement, communiquez avec les gens qui ont réparé votre appareil.

Ensuite, si vous n'êtes toujours pas satisfait envoyez tous les détails—numéro de téléphone compris—au
Directeur, Relations avec les consommateurs, Mabe Canada Inc.
Bureau 310, 1 Factory Lane
Moncton, N.B. E1C 9M3



Inscrivez votre appareil électroménager

Inscrivez votre appareil électroménager en direct, aussitôt que possible. Cela améliorera nos communications et notre service après-vente. Vous pouvez également nous envoyer par la poste le formulaire d'inscription joint à votre documentation.



Acondicionador de aire

Instrucciones de seguridad .. 38,39

Instrucciones de operación .. 40-42

Cuidado y limpieza

- Filtro de aire 44
- Rejilla delantera..... 43
- Rejilla y caja..... 43
- Bobinas para exteriores..... 43

Instrucciones de instalación

- Antes de empezar 45-47
- Cómo instalar un modelo J en una caja de pared existente 48
- Instalación opcional a través de la pared..... 49

Solucionar problemas

- Antes de llamar para solicitar servicio 50
- Sonidos normales de operación 50

Apoyo al consumidor

- Apoyo al consumidor..... Cubierta trasera
- Garantía 53

* Producto con la etiqueta ENERGY STAR®



Como un asociado de ENERGY STAR®, GE ha determinado que este producto cumple con las guías de ENERGY STAR® para eficiencia energética.

Escriba los números de modelo y serie aquí:

de Modelo _____

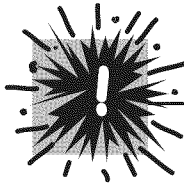
de Serie _____

Estos números se encuentran en una etiqueta ubicada detrás del gabinete del ambiente sobre la bandeja de la base.

Manual del propietario y instrucciones de instalación

Refrescar solamente	AJCM 08, 10	ACE*
	AJCM 10, 12	DCE*
	AJCQ 06	LCE*
	AJCQ 08, 10, 12	ACE*
	AJCQ 09, 10, 12	DCE*
Refrescar/calentar	AJEM 12	DCE
	AJEQ 06	LCE
	AJEQ 08	ACE
	AJEQ 09, 10, 12	DCE

INFORMACIÓN IMPORTANTE DE SEGURIDAD. LEA TODAS LAS INSTRUCCIONES ANTES DE USAR.



PRECAUCIONES DE SEGURIDAD

⚠ ¡ADVERTENCIA! *Riesgo de descarga eléctrica. Puede provocar lesiones o la muerte. Por su seguridad, se debe seguir la información en este manual para minimizar el riesgo de incendios, descargas eléctricas o lesiones personales.*

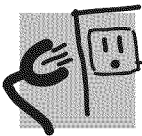
- Use este electrodoméstico solamente para el propósito determinado según se describe en el Manual del propietario.
- Este acondicionador de aire debe instalarse correctamente de acuerdo con las Instrucciones de instalación antes de su uso.
- Nunca desenchufe su acondicionador de aire tirando del cable eléctrico. Siempre agarre firmemente el enchufe y tire de él directamente hacia afuera.
- Reemplace inmediatamente todos los cables eléctricos que se hayan pelado o que se hayan dañado de alguna otra manera. Un cable de corriente dañado no debe repararse, sino que debe ser sustituido por uno nuevo que se adquiriera del fabricante. No use un cable

eléctrico que muestre evidencias de deterioro, o daños de abrasión en su superficie en alguno de sus extremos.

- **APAGUE** y desenchufe su acondicionador de aire antes de realizar cualquier reparación o limpieza.

NOTA: *Recomendamos enérgicamente que cualquier servicio llevado a cabo en este equipo o realice un individuo calificado.*

- Por su seguridad...no almacene ni use materiales combustibles, gasolina u otros vapores o líquidos inflamables en la proximidad de éste o algún otro electrodoméstico.
- Todos los acondicionadores de aire contienen refrigerantes, los que por Ley Federal deben ser removidos antes de desecharlos. Si usted planea deshacerse de algún producto que contenga refrigerantes, póngase en contacto con la compañía que se encarga de recoger su basura para que le indiquen qué hacer.



CÓMO CONECTAR LA ELECTRICIDAD

⚠ ¡ADVERTENCIA! *Riesgo de descarga eléctrica. Puede provocar lesiones o la muerte. Este aparato debe contar con una adecuada conexión a tierra. Bajo ninguna circunstancia, corte o remueva la tercera púa (tierra) del cable eléctrico. En pos de la seguridad personal, este electrodoméstico debe siempre conectarse a tierra.*

- El cable eléctrico de este electrodoméstico está equipado con un enchufe de tres púas (tierra) que combina con un tomacorriente estándar de tres tomas de pared para minimizar la posibilidad de una descarga eléctrica.
- Pida a un técnico que inspeccione el tomacorriente y el circuito para cerciorarse de que el tomacorriente está conectado a tierra de la manera apropiada.
- El cable de alimentación puede incluir un dispositivo para interrupción de corriente. Se incluye un botón de prueba y de reinicio en el dispositivo. El dispositivo debe ponerse a prueba periódicamente: primero se presiona el botón de **TEST** (prueba) y luego **RESET** (reinicio). Si el botón **TEST** no se dispara o

si el botón **RESET** no queda enganchado, deje de utilizar el acondicionador de aire y comuníquese con un técnico calificado.

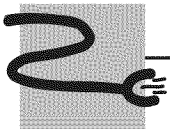
- Donde exista un tomacorriente de dos tomas, es su responsabilidad y obligación personal hacer que dicho tomacorriente sea reemplazado por uno de tres tomas con conexión a tierra.

⚠ ¡ADVERTENCIA! *Riesgo de descarga eléctrica. Puede provocar lesiones o la muerte.*

- El acondicionador de aire debería siempre estar conectado a un tomacorriente individual con su circuito de voltaje correspondiente. Esto proporciona el mayor rendimiento y además evita que los circuitos del resto de la casa se sobrecarguen, lo cual podría causar incendios por el sobrecalentamiento del cableado.

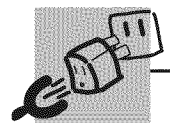
- Ver las Instrucciones de instalación, en la sección Requisitos Eléctricos para los requisitos específicos de conexión.

⚠ ¡ADVERTENCIA! USO DE PROLONGADORES



RIESGO DE INCENDIO. Podría ocasionar lesiones graves o la muerte.

- NO use un prolongador con este Acondicionador de Aire de Ventana.
- NO use protectores contra picos de tensión ni adaptadores para múltiples tomacorrientes con este Acondicionador de Aire.



USO DE ENCHUFES ADAPTADORES—

⚠ ¡ADVERTENCIA! *Riesgo de descarga eléctrica. Puede provocar lesiones o la muerte.*

- Enérgicamente recomendamos contra el uso de enchufes adaptadores.
- Si usted se ve en la necesidad de usar un adaptador, donde los códigos legales locales lo permitan, puede hacer una **conexión temporal** a un interruptor de 2 tomas siempre que se use un tomacorriente listado baja UL disponible en la mayoría de las ferreterías.
- La ranura mayor en el adaptador debe estar alineada con la púa mayor en la pared para proporcionar una polaridad apropiada en la conexión del cable eléctrico.
- Cuando se disponga a desconectar el cable eléctrico del adaptador, siempre sostenga el adaptador en su lugar con una mano mientras tira del cable eléctrico con la otra mano. Si no hace esto, la terminal de tierra del adaptador podría romperse después de que este proceso se repita varias veces.
- Si se rompe el terminal de conexión a tierra del adaptador, **NO USE** el acondicionador de aire hasta que la conexión a tierra se haya restablecido.
- Unir el terminal de conexión a tierra del adaptador a un tornillo de la cubierta en la pared no conecta a tierra el electrodoméstico apropiadamente no ser que el tornillo de la cubierta sea metálico y no esté aislado, y el tomacorriente de la casa esté apropiadamente conectado a tierra a través del cableado de la casa. Haga que un técnico calificado inspeccione el circuito de la casa para cerciorarse que está conectado a tierra apropiadamente.

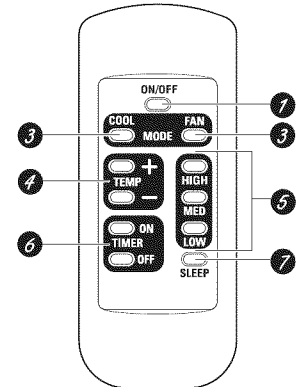
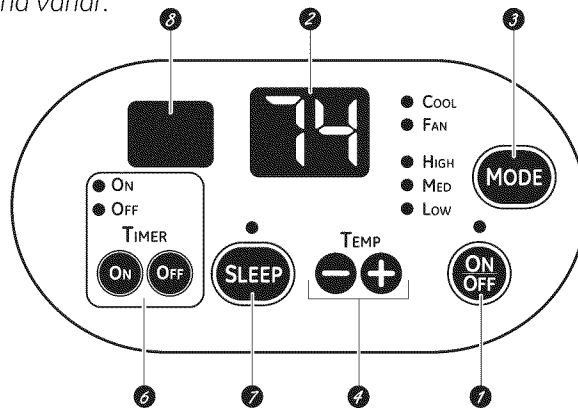


LEA Y SIGA ESTAS INSTRUCCIONES DE SEGURIDAD CUIDADOSAMENTE.

GUARDE ESTAS INSTRUCCIONES

Acerca de los controles en el acondicionador de aire— Modelos Sólo para Frío

La apariencia podría variar.



Controles del acondicionador de aire

Las luces al lado de las teclas de toque en el panel de control del acondicionador de aire indican el nivel seleccionado.

Control remoto



Controles

- 1 ON/OFF (encendido/apagado)**
Apaga y prende el acondicionador de aire.
- 2 Pantalla**
Muestra la configuración de temperatura.
Muestra la hora al configurar el temporizador.
- 3 MODE (modo)**
En el control remoto, usado para ajustar el acondicionador de aire al modo COOL (frío) o FAN (ventilador).
En los controles del acondicionador de aire, usado para ajustar en COOL o en modo FAN en HIGH (alto), MED (medio) o LOW (bajo) para la velocidad del ventilador. Las luces indicadoras en los controles del acondicionador de aire mostrarán el modo y la velocidad del ventilador seleccionados.
- 4 TEMP Teclas de AUMENTAR + / REDUCIR -**
Usado para ajustar la temperatura cuando esté en el modo COOL.
- 5 Velocidades del Ventilador (FAN) (control remoto únicamente)**
Usado para ajustar la velocidad del ventilador a LOW, MED o HIGH.
- 6 TIMER (sincronizador)**
ON (encendido)—Cuando el acondicionador de aire está apagado, puede ajustarse para que se encienda automáticamente media hora hasta 24 horas a su nivel anterior. Con cada presión se fijará la hora en periodos de media hora hasta 10 y luego en periodos de una hora hasta 24.

Para cancelar el Temporizador de Encendido, presione la tecla ON (encendido) hasta que la hora exhibida desaparezca.

OFF (apagado)—Cuando el acondicionador de aire está encendido, se puede programar automáticamente para apagarse dentro de un periodo desde media hora hasta 24 horas. Con cada presión se fijará la hora en periodos de media hora hasta 10 y luego en periodos de una hora hasta 24.

Para cancelar el Temporizador de Apagado, presione la tecla OFF (apagado) hasta que la hora exhibida desaparezca.

- 7 SLEEP (dormir)**
Presione para que el acondicionador de aire funcione por 8 horas antes de regresar a la selección anterior automáticamente.
Cuando el sincronizador para dormir haya sido ajustado, la temperatura seleccionada aumentará automáticamente 2° F (1° C) después de la primera hora, luego 1° F (0.5° C) cada hora en las próximas dos horas.

Para cancelar el modo de dormir, presione la tecla MODE (modo) o la tecla SLEEP (dormir) una segunda vez.

- 8 Receptor de la señal del control remoto**

NOTA: Cuando el acondicionador de aire está encendido, se encenderá automáticamente en el último nivel establecido.

Control remoto

- Para garantizar una operación apropiada, oriente el control remoto hacia el receptor de señal del acondicionador de aire.
- El receptor de señal tiene un rango máximo de 21 pies.
- Cerciórese de que no haya nada entre el acondicionador de aire y el control remoto que pueda bloquear la señal.
- Cerciórese de que las baterías sean nuevas y se instalen correctamente—ver la Sección de Cuidado y Limpieza.

MODO FRIO (COOL)

Control remoto

1. Presione el botón **COOL (frío)**.
2. Presione los botones **LOW (bajo)**, **MED (medio)** o **HIGH (alto)** para establecer la velocidad deseada del ventilador.
3. Presione las teclas de **AUMENTAR + / REDUCIR -** para ajustar la temperatura deseada 60° F (16° C) a 85° F (30° C) en incrementos de 1° F (0.5° C).

Panel de control

1. Presione el botón **MODE (modo)** hasta que la luz indicadora **COOL** se ilumine y la luz indicadora **LOW, MED** o **HIGH** esté iluminada para la velocidad deseada del ventilador.
2. Presione los botones **AUMENTAR + / REDUCIR -** para ajustar la temperatura deseada 60° F (16° C) a 85° F (30° C) en incrementos de 1° F (0.5° C).

Se usa un termostato para mantener la temperatura de la habitación. El compresor hará ciclo entre apagado y encendido para mantener la habitación a la temperatura deseada. Ajuste el termostato a un número menor y el aire interno se enfriará más.

Si lo ajusta a un número mayor, la temperatura del aire interno se calentará más.

NOTA: Si el acondicionador de aire está apagado y luego se enciende mientras está en **COOL**, tomará aproximadamente 3 minutos para que el compresor comience a enfriar otra vez.

Descripciones de enfriamiento

Para enfriamiento normal—Seleccione el modo de ventilador **COOL** y **HIGH** o **MED** con una temperatura de ajuste media.

Para enfriamiento máximo—Seleccione el modo de ventilador **COOL** y **HIGH** con una temperatura de ajuste menor.

Para enfriamiento silencioso y enfriamiento nocturno—Seleccione el modo de ventilador **COOL** y **LOW** con una temperatura de ajuste media.

NOTA: Habrá un retraso de 3 minutos entre los cambios de configuración tales como de **COOL** a **OFF (apagado)** y de nuevo a **COOL**.

MODO VENTILADOR (FAN)

Use el modo **FAN (ventilador)** para proporcionar circulación de aire y filtración sin enfriamiento. Debido a que los niveles de ventilador únicamente no proporcionan enfriamiento, el nivel de temperatura no se muestra en la pantalla.

Control remoto

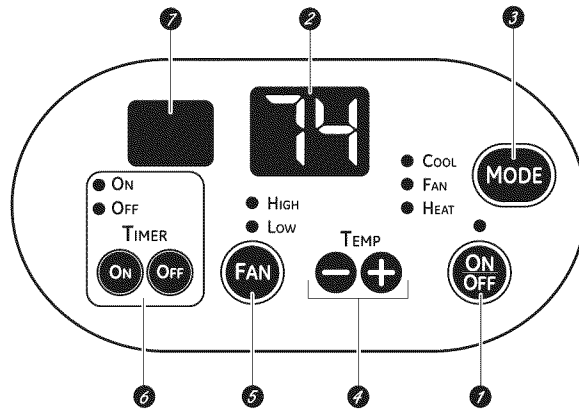
Presione el botón **FAN**. Presione los botones **LOW, MED** o **HIGH** para establecer la velocidad deseada del ventilador.

Panel de control

Presione el botón **MODE** hasta que la luz indicadora del **FAN** se ilumine y la luz indicadora **LOW, MED** o **HIGH** se ilumine para la velocidad del ventilador deseada.

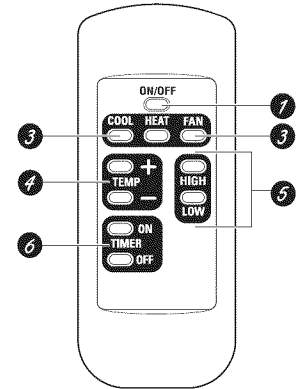
Acerca de los controles en el acondicionador de aire— Modelos de Calor/Frío

La apariencia podría variar.



Controles del acondicionador de aire

Las luces al lado de las teclas de toque en el panel de control del acondicionador de aire indican el nivel seleccionado.



Control remoto



Controles

- 1 ON/OFF (encendido/apagado)**
Apaga y prende el acondicionador de aire.
- 2 Pantalla**
Muestra la configuración de temperatura. Muestra los horarios en que el temporizador fue configurado.
- 3 MODE (modo)**
En los controles del acondicionador, ajuste el modo de **COOL (frío)**, **HEAT (calor)** o **FAN (ventilador)**. Las luces indicadoras de los controles del acondicionador de aire mostrarán el modo seleccionado.
- 4 TEMP Teclas de Aumentar + /Reducir -**
Usado para ajustar la temperatura cuando esté en el modo **COOL** o **HEAT**.
- 5 Velocidades del Ventilador (Control remoto únicamente)**
Usado para ajustar la velocidad del ventilador a **LOW (bajo)**, **MED (medio)** o **HIGH (alto)**.
- 6 TIMER (sincronizador)**
ON (encendido)—Cuando el acondicionador de aire está apagado, puede ajustarse para que se encienda automáticamente media hora hasta 24 horas a su nivel anterior. Con cada presión se fijará la hora en periodos de media hora hasta 10 y luego en periodos de una hora hasta 24.

Para cancelar el Temporizador de Encendido, presione la tecla **ON (encendido)** hasta que la hora exhibida desaparezca.
OFF (apagado)—Cuando el acondicionador de aire está encendido, se puede programar automáticamente para apagarse dentro de un periodo desde media hora hasta 24 horas. Con cada presión se fijará la hora en periodos de media hora hasta 10 y luego en periodos de una hora hasta 24.

Para cancelar el Temporizador de Apagado, presione la tecla **OFF (apagado)** hasta que la hora exhibida desaparezca.
- 7 Receptor de la señal del control remoto**

NOTA: Cuando el acondicionador de aire está encendido, se encenderá automáticamente en el último nivel establecido.

Control remoto

- Para garantizar una operación apropiada, oriente el control remoto hacia el receptor de señal del acondicionador de aire.
- El receptor de señal tiene un rango máximo de 21 pies.
- Cerciérese de que no haya nada entre el acondicionador de aire y el control remoto que pueda bloquear la señal.
- Cerciérese de que las baterías sean nuevas y se instalen correctamente—ver la Sección de Cuidado y Limpieza.

MODO FRIO (COOL)

Control remoto

1. Presione el botón **COOL (frío)**.
2. Appuyez sur les touches **LOW (bajo)** ou **HIGH (alto)** pour régler la vitesse de ventilateur voulue.
3. Appuyez sur les touches **AUMENTAR + / REDUCIR -** pour régler la température voulue entre 60° F (16° C) a 85° F (30° C) en increments de 1° F (0.5° C).

Panel de control

1. Configure la temperatura cuando se encuentre en modo de **COOL** o **HEAT (calor)**.
2. Presione la tecla **FAN (ventilador)** hasta que la luz indicadora de **HIGH** o **LOW** se encienda en la velocidad del ventilador deseada.
3. Presione los botones **AUMENTAR + / REDUCIR -** para ajustar la temperatura deseada 60° F (16° C) a 85° F (30° C) en increments de 1° F (0.5° C).

Se usa un termostato para mantener la temperatura de la habitación. El compresor hará ciclo entre apagado y encendido para mantener la habitación a la temperatura deseada. Ajuste el termostato a un número menor y el aire

interno se enfriará más. Si lo ajusta a un número mayor, la temperatura del aire interno se calentará más.

NOTA: Si el acondicionador de aire está apagado y luego se enciende mientras está en **COOL**, tomará aproximadamente 3 minutos para que el compresor comience a enfriar otra vez.

Descripciones de enfriamiento

Para enfriamiento normal—Seleccione el modo de ventilador **COOL** y **HIGH** o **MED (medio)** con una temperatura de ajuste media.

Para enfriamiento máximo—Seleccione el modo de ventilador **COOL** y **HIGH** con una temperatura de ajuste menor.

Para enfriamiento silencioso y enfriamiento nocturno—Seleccione el modo de ventilador **COOL** y **LOW** con una temperatura de ajuste media.

NOTA: Habrá un retraso de 3 minutos entre los cambios de configuración tales como de **COOL** a **OFF** y de nuevo a **COOL**.

MODO DE CALOR (HEAT)

Control remoto

1. Presione la tecla **HEAT**.
2. Presione las teclas **LOW** o **HIGH** para configurar la velocidad del ventilador deseada.
3. Presione las teclas **AUMENTAR + / REDUCIR -** para configurar la temperatura deseada entre 60° F (16° C) a 85° F (30° C) en increments de 1° F (0.5° C).

Panel de control

1. Presione la tecla **MODE** hasta que la luz indicadora de **HEAT** se encienda.
2. Presione la tecla **FAN** hasta que la luz indicadora de **HIGH** o **LOW** se encienda de acuerdo a la velocidad del ventilador deseada.
3. Presione las teclas **AUMENTAR + / REDUCIR -** para configurar la temperatura deseada entre 60° F (16° C) a 85° F (30° C) en increments de 1° F (0.5° C).

Se utiliza un termostato para mantener la temperatura del ambiente. El calentador realizará el ciclo de encendido y apagado para mantener la habitación en el nivel de confort configurado. Ajuste el termostato en un

número más alto, y el aire interior comenzará a ser más cálido.

Configure el termostato en un número superior y el aire interior será más caliente. Configure el termostato en un número inferior y el aire interior será más frío.

NOTA: Si el acondicionador de aire está apagado y luego es encendido en la configuración **HEAT (Calor)**, pasará aproximadamente 1 minuto hasta que el calentador se inicie y comience a calentar.

Descripciones de calefacción

Para Calefacción Normal—Seleccione el modo Heat y el ventilador en **HIGH** con una configuración de temperatura media.

Para una Máxima Calefacción—Seleccione el modo **HEAT** y el ventilador en **HIGH** con una configuración de temperatura superior.

Para una Calefacción Más Suave y Nocturna—Seleccione el modo **HEAT** y el ventilador en **LOW** con una configuración de temperatura media.

MODO VENTILADOR (FAN)

Use el **FAN** para hacer que circule el aire y filtro sin enfriar o calentar. Debido a que las configuraciones sólo de ventilación no brindan frío o calor, no aparecerá una configuración de temperatura.

Control remoto

Presione el botón **FAN**. Presione los botones **LOW** o **HIGH** para establecer la velocidad deseada del ventilador.

Panel de control

Presione el botón **MODE** hasta que la luz indicadora del ventilador **FAN** se ilumine y la luz indicadora **LOW** o **HIGH** se ilumine para la velocidad del ventilador deseada.

Sobre los controles del acondicionador de aire

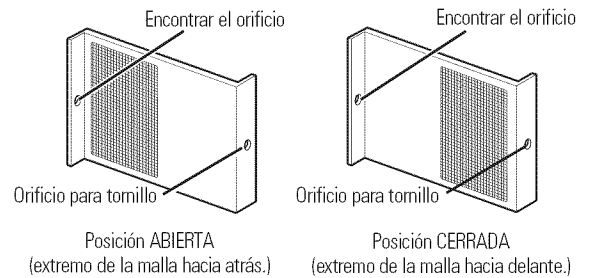
Control del escape

El control de ventilación está ubicado detrás de la rejilla frontal del lado derecho del área de descarga de aire. Cuando está **CLOSED (cerrada)**, sólo el aire dentro de la habitación circula y acondiciona. Cuando está **OPEN (abierta)**, la ventilación permite el intercambio de aire con el exterior.

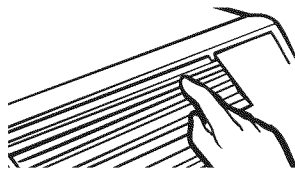
Para abrir o cerrar el escape:

1. Retire la rejilla delantera.
2. Retire el tornillo de la tarjeta del ventilador.
3. Retire la tarjeta del ventilador, voltee y reemplácelo localizando el orificio posterior en la tarjeta sobre la pata de localización al interior de la descarga de aire y volviendo a colocar el tornillo al frente.

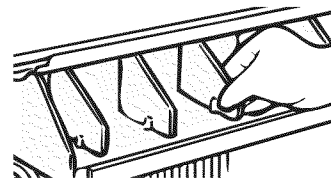
La unidad sale de fábrica en la posición CERRADA.



Dirección del aire



Unas persianas horizontales en la rejilla delantera le permiten controlar la dirección del aire hacia arriba y hacia abajo.



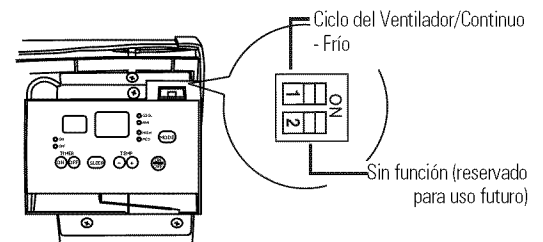
Retire la rejilla delantera para ajustar las persianas verticales de lado a lado para dirigir el aire hacia la izquierda o la derecha.

Modelos Sólo de Frío

Controles Auxiliares – Interruptores DIP (la ubicación varía de acuerdo al modelo)

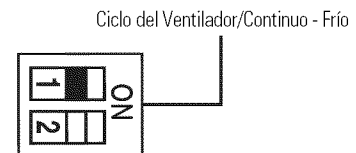
Los controles auxiliares del interruptor DIP se encuentran ubicados detrás del gabinete de la sala – como se muestra en esta figura.

El dueño es responsable de controlar los interruptores y asegurar que se encuentren en la posición deseada.



Ciclo del Ventilador/Continuo - Frío

Cuando este interruptor es activado (DERECHA), permite que el ventilador interno realice el ciclo on/off (encendido/apagado) con el compresor. Cuando este interruptor es desactivado (IZQUIERDA), permite que el ventilador interno funcione de forma continua. La configuración por omisión es la izquierda (continua).

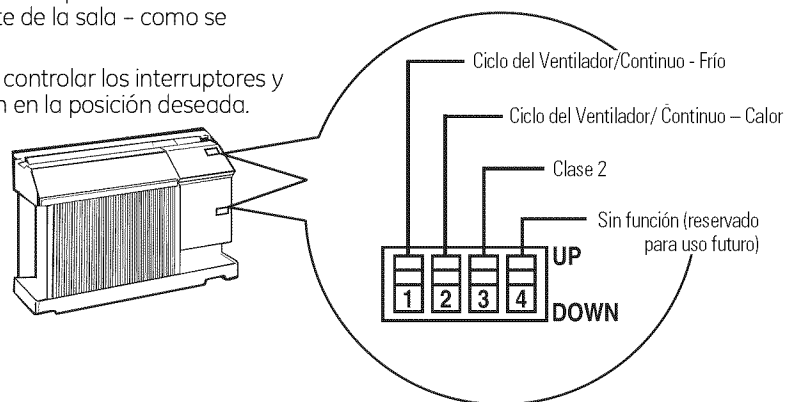


Modelos Calor/ Frío

Controles Auxiliares – Interruptores DIP (la ubicación varía de acuerdo al modelo)

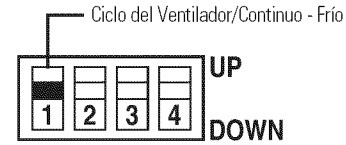
Los controles auxiliares del interruptor DIP se encuentran ubicados detrás del gabinete de la sala – como se muestra en esta figura.

El dueño es responsable de controlar los interruptores y asegurar que se encuentren en la posición deseada.



Ciclo del Ventilador/Continuo - Frío

Cuando este interruptor se encuentra en la posición de encendido **(UP) (arriba)**, el ventilador interno se enciende y apaga junto al compresor. Cuando este interruptor está en la posición de apagado **(DOWN) (abajo)**, el ventilador interno funciona de manera constante. La configuración predeterminada es abajo (continua).



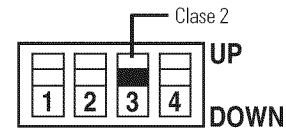
Ciclo del Ventilador/Continuo - Calor

Cuando este interruptor está **(UP) (activado)**, permite que el ventilador interno funcione continuamente con la operación de calentador. Cuando este interruptor está **(DOWN) (desactivado)**, permite que el ventilador interior se encienda y apague. La configuración predeterminada es arriba (cíclica).



Clase 2 - Termostato Remoto

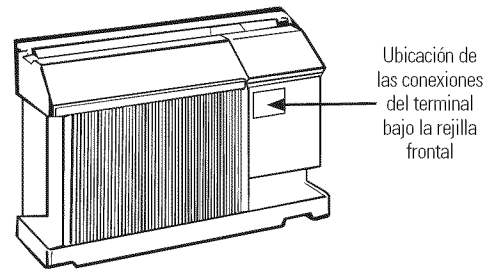
Cuando este interruptor está en la posición de encendido **(UP)** (arriba), la unidad comienza a funcionar con un Termostato de pared a control remoto Clase 2. Los controles de la unidad quedan anulados. La configuración predeterminada es abajo (desactivada).



Conexiones Terminales del Termostato Remoto - Clase 2 (en algunos modelos)

Los controles se encuentran bajo una tapa plástica detrás de la rejilla frontal.

- 1 Retire la rejilla frontal. Consulte la sección de Cuidado y Limpieza de la Rejilla Frontal.
- 2 Quite los tornillos que fijan la tapa plástica sobre las conexiones del cableado. Separe los tornillos y la tapa.
- 3 Para realizar conexiones de cables, inserte los mismos en la parte trasera de las terminales y ajuste los tornillos de forma segura.
- 4 Luego de que todas las conexiones deseadas se hayan realizado, vuelva a colocar la tapa plástica y la rejilla frontal.



El dueño es responsable de realizar todas las conexiones y de configurar los interruptores de luces bajas adecuados.

Al estar conectada, la unidad será controlada por un termostato remoto.

NOTA: El interruptor de luz baja número 3 se debe conectar en la posición hacia **(UP) (arriba)** para activar el termostato remoto. (Lea las instrucciones de instalación suministradas con el termostato remoto.)

IMPORTANTE:

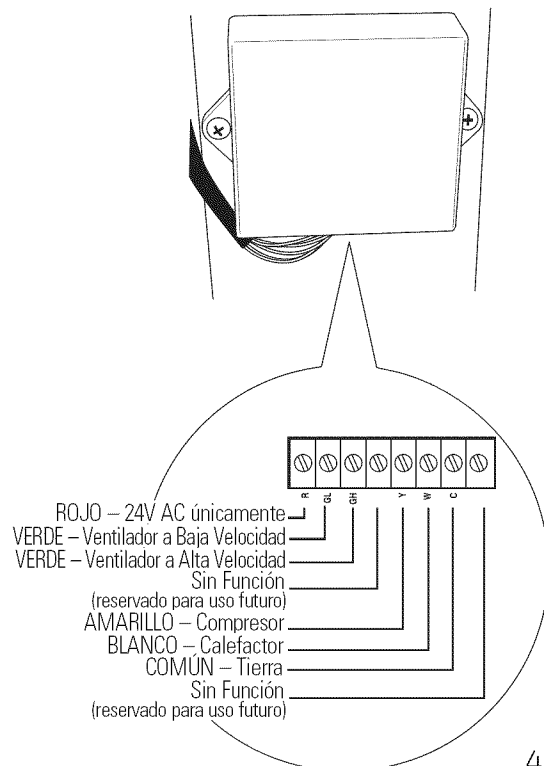
Las conexiones del termostato brindan 24 VAC únicamente.

Si se usará un termostato digital/electrónico de pared, asegúrese de que sea compatible con la señal de 24 VAC. Lea las instrucciones de instalación del termostato de pared.

AVISO:

En caso de conexiones indebidas, se pueden producir daños sobre la pared del termostato o sobre los componentes electrónicos. Se debe tener especial cuidado al conectar los cables.

No se debe realizar ninguna conexión de línea de voltaje sobre ningún circuito. Aísle todos los cables de la línea de voltaje.



Cuidado y limpieza del acondicionador de aire.

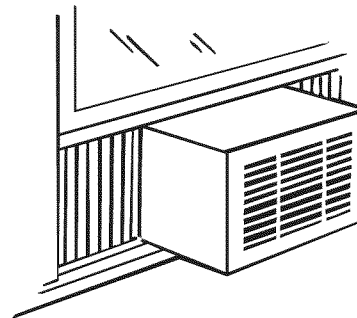
Rejilla y caja

Apague el acondicionador de aire y retire el enchufe de la toma corriente antes de limpiar.

Para limpiar, use agua y un detergente suave. No use blanqueador o abrasivos.

Bobinas exteriores

Los resortes en el lado exterior del acondicionador de aire deben revisarse con frecuencia. Si están obstruidos con suciedad u hollín se pueden limpiar profesionalmente a través del servicio disponible en su centro de servicios GE.



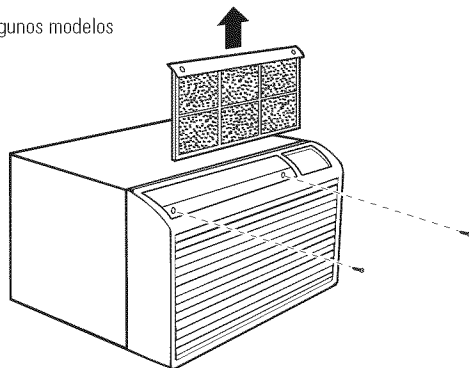
Rejilla delantera

La rejilla frontal puede ser retirada para una limpieza más a fondo y para ubicar los números de modelo y serie en el frente de la bandeja de la base.

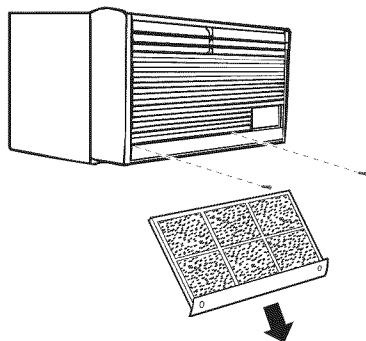
Para retirar:

1. Hale el filtro hacia arriba.
2. Retire los dos tornillos de la rejilla.

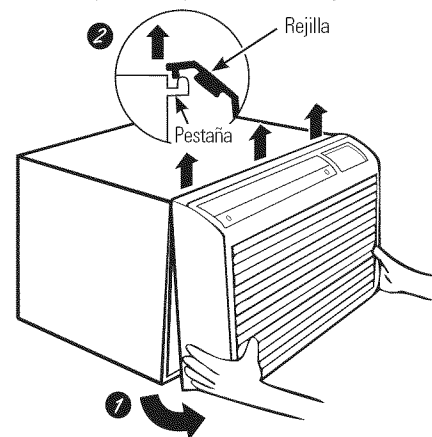
En algunos modelos



En algunos modelos



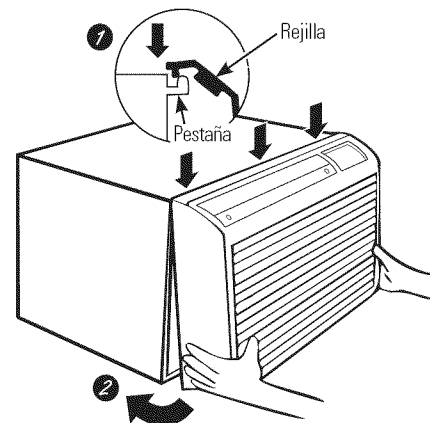
3. Hale la rejilla por abajo y levante por las pestañas en la parte superior de la caja.



Para reemplazar:

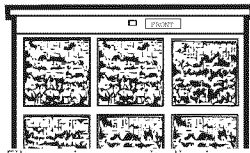
Enganche las pestañas en la rejilla delantera al mismo nivel con las pestañas al frente de la caja y encaje en su lugar.

Reemplace los tornillos y el filtro.

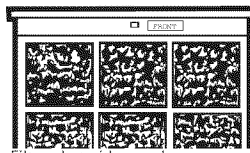


Para mantener un desempeño óptimo, limpie el filtro al menos cada 30 días.

Filtro de aire



Filtro sucio – necesita limpieza



Filtro obstruido – reduce en gran parte el enfriamiento, la calefacción y el flujo del aire.

Apague el acondicionador de aire antes de limpiar.

Lo más importante que puede hacer para mantener el acondicionador de aire es limpiar el filtro como mínimo cada 30 días. Un filtro obstruido reduce el enfriamiento, la calefacción y el flujo del aire.

Mantener el filtro del aire limpio:

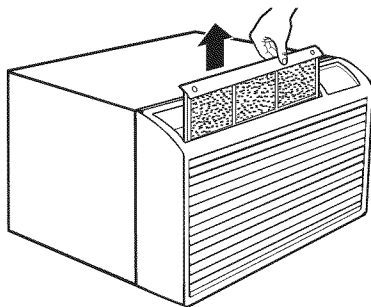
- Disminuye el costo de operación.
- Ahorra energía.
- Evita la obstrucción de las bobinas de intercambio de calefacción.
- Reduce el riesgo de falla prematura de los componentes.

Para limpiar los filtros del aire:

- Aspire la suciedad pesada.
- Deje correr agua a través de los filtros.
- Seque por completo antes de reemplazar.

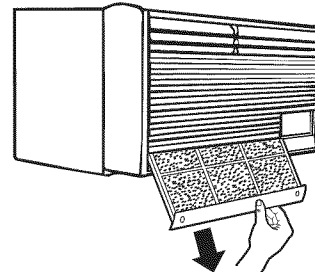
Para retirar el filtro de aire, en algunos modelos:

Cuidadosamente hale la pestaña hacia delante, arriba y afuera.



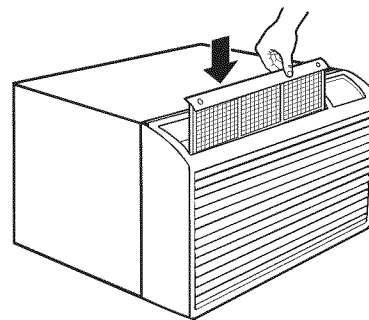
Para retirar el filtro de aire, en otros modelos:

Hálolo hacia abajo.



Para reemplazar el filtro del aire:

Reemplace el filtro limpio empujándolo de nuevo en su lugar.



AVISO: No opere el acondicionador de aire sin el filtro en su lugar. Si un filtro se rompe o se daña se debe reemplazar de inmediato.

Operar sin el filtro en su lugar o con un filtro dañado permite que la suciedad y el polvo lleguen a la bobina interior y reduce el enfriamiento, la calefacción, el flujo del aire y la eficacia de la unidad.

Los filtros de reemplazo están disponibles a través de su concesionario GE, centro de servicios y partes de GE o de los técnicos de servicio al cliente (Customer Care®).

Cómo Insertar las pilas en el control remoto

- 1 Retire la cubierta de la batería deslizándola de acuerdo con la dirección de la flecha.
- 2 Inserte baterías nuevas cerciorándose de que los polos positivos (+) y negativos (-) están orientados correctamente.
- 3 Coloque la cubierta otra vez deslizándola en su lugar.

NOTAS:

- Use 2 baterías "AAA" de 1.5 voltios. No use baterías recargables.
- Retire las baterías del control remoto si no va a usar el sistema por un período prolongado.
- No use pilas viejas y nuevas al mismo tiempo. No combine pilas alcalinas, estándar (carbono-zinc) o recargables (ni-cad, ni-mh, etc.).

Instrucciones de instalación

Acondicionadores de Aire

? ¿Preguntas? Llame al 800.GE.CARES (800.432.2737) o bien visite nuestra página Web: GEAppliances.com



ANTES DE INICIAR

Lea estas instrucciones completa y cuidadosamente.

- **IMPORTANTE** — Guarde estas instrucciones para uso del inspector local.
- **IMPORTANTE** — Observe todos los códigos y órdenes de ley.
- **Nota al instalador** – Asegúrese de dejar estas instrucciones con el consumidor.
- **Nota al consumidor** – Conserve estas instrucciones para referencia futura.
- **Nivel de destreza** – La instalación de este aparato requiere de destrezas mecánicas básicas.
- **Tiempo de ejecución** – Aprox. 1 hora
- Recomendamos dos personas para la instalación de este producto.
- La instalación apropiada es la responsabilidad del instalador.
- La falla del producto debido a una instalación inadecuada no está cubierta por la garantía

Período de rodaje del acondicionador de aire

NOTA – Al igual que con cualquier dispositivo mecánico con partes móviles, esta unidad tendrá un período de acostumbamiento. LUEGO DE LA INSTALACIÓN, esta unidad debería ser usada durante 48 horas para lograr el nivel de eficiencia máximo.



REQUISITOS ELÉCTRICOS

⚠ ¡ADVERTENCIA! Riesgo de descarga eléctrica. Puede provocar lesiones o la muerte. Este aparato debe contar con una adecuada conexión a tierra. Para el uso de este aparato, es su responsabilidad y obligación cambiar un tomacorriente de pared de 2 espigas por uno de 3 espigas con adecuada conexión a tierra.



Algunos modelos requieren tomacorrientes de 115/120 voltios de corriente alterna y 60 Hz conectados a tierra, protegidos con un fusible de dilatación de tiempo de 15 amperios o un cortacircuitos.

El enchufe de tres púas con conexión a tierra minimiza la posibilidad de descargas eléctricas. Si el tomacorriente de la pared que usted planea usar solamente tiene 2 tomas, es su responsabilidad hacer que un técnico lo reemplace por uno de tres tomas con conexión a tierra.

Bajo ninguna circunstancia corte o remueva la tercera púa (conexión a tierra) del cable eléctrico.

No cambie el enchufe en el cable eléctrico de este acondicionador de aire.

Los cables caseros de aluminio podrían presentar problemas especiales. Consulte a un técnico electricista calificado.



Algunos modelos requieren 230/208 voltios, de corriente alterna, protegidos por un fusible de dilatación de tiempo o un cortacircuitos.



Estos modelos deberían instalarse en un ramal exclusivo del circuito para un rendimiento más notable y para prevenir sobrecargas en los circuitos de cableados de su casa o apartamento, lo cual podría representar un riesgo de incendio por el sobrecalentamiento de los alambres.

¡IMPORTANTE! GE recomienda enfáticamente la eliminación de la anterior caja de pared y la instalación de una nueva Caja de Pared de GE. Si NO utiliza una Caja de Pared de GE, correrá el riesgo de un rendimiento deficiente y fallas del producto. Esto no está cubierto por los términos de la garantía de GE.

Instrucciones para la instalación

Lea estas instrucciones completa y cuidadosamente.

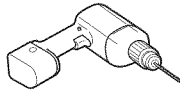
El cable de alimentación puede incluir un dispositivo para interrupción de corriente. Se incluye un botón de prueba y de reinicio en el dispositivo. El dispositivo debe ponerse a prueba periódicamente: primero se presiona el botón de **TEST (prueba)** y luego **RESET (reinicio)**.

Si el botón **TEST** no se dispara o si el botón **RESET** no queda enganchado, deje de utilizar el acondicionador de aire y comuníquese con un técnico calificado.

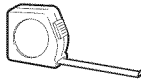
HERRAMIENTAS QUE PODRÍA NECESITAR



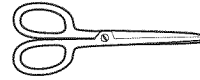
Destornillador de estrella



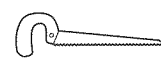
Talador



Regla o cinta de medir



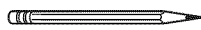
Tijeras o cuchillo



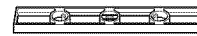
Sierra de mano o de vaivén



Llave ajustable



Lápiz



Nivel

NÚMEROS DE KIT DE GE

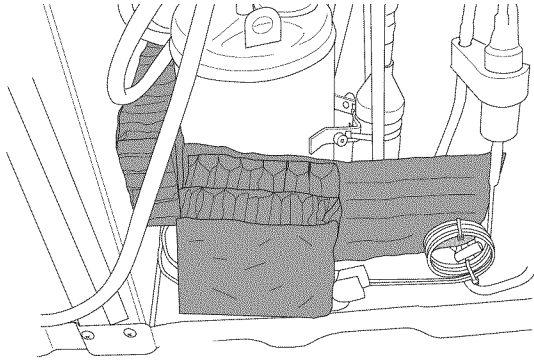
USE EL KIT GE NÚMERO:	PARA:	DESCRIPCIÓN:
RAB46A, 46 47A, 47, 48A & 48	Use estos kits para todos los modelos de GE y otras marcas que no figuran.	Caja de pared estándar para modelos de chasis "J". Rejilla exterior de aluminio estampada RAG13. Retire la caja existente y reemplácela.
RAK65A1	Todos los Modelos de GE	Kit de instalación de ventana
RAK690	RAB36, 37, 38, 46, 47 ó 48 (Chasis J)	Si une una rejilla arquitectónica a la medida para exteriores, use este kit para garantizar el flujo de aire correcto.
RAG13	RAB36, 37, 38, 46, 47 ó 48 (Chasis J)	Rejilla exterior estándar de aluminio (Incluida con las cajas de pared RAB46, 47 y 48)
RAG14E	RAB36, 37, 38, 46, 47 ó 48 (Chasis J)	Rejilla exterior con persianas arquitectónica

Instrucciones para la instalación

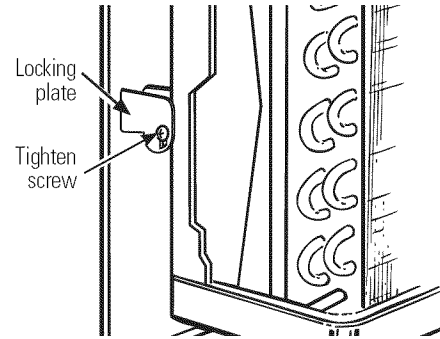
CÓMO INSTALAR UN MODELO J EN UNA CAJA DE PARED EXISTENTE

Lea estas instrucciones completa y cuidadosamente.

- 1** RETIRE TODO EL MATERIAL DE EMBALAJE (SI HAY PRESENTE) DENTRO DEL ACONDICIONADOR DE AIRE JUNTO AL COMPRESOR

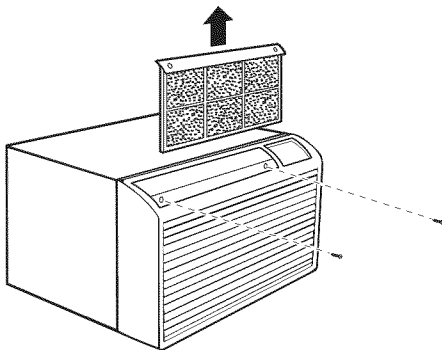


- 4** VUELVA A INSTALAR LA PLACA DE BLOQUEO CON LA LENGÜETA DETRÁS DE LA PESTAÑA DE LA CAJA DE PARED. AJUSTE EL TORNILLO



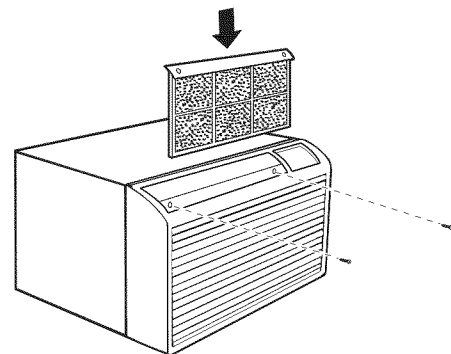
- 2** RETIRE EL FILTRO Y LA PARRILLA FRONTAL

Retire los dos tornillos detrás del filtro y luego retire la parrilla frontal.



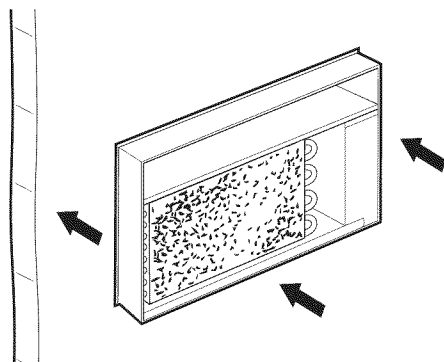
- 5** ADHIERA LA PARRILLA FRONTAL

Una abertura del cable de corriente se encuentra en la parte inferior de la parrilla frontal.



- 3** CON CUIDADO DESLIZE EL ACONDICIONADOR DE AIRE EN LA CAJA

Asegúrese de que la tubería de la unidad no toque la caja de la pared y que la instalación de la caja sea segura.



CÓMO INSTALAR A TRAVÉS DE LA PARED

Lea estas instrucciones completa y cuidadosamente.

1 PREPARE LA ABERTURA EN LA PARED

Asegúrese de que el receptáculo de pared esté disponible cerca de la ubicación del agujero o haga arreglos para instalar un receptáculo.

La longitud del cable para los modelos de 115 voltios es de 72" a la derecha y 47" a la izquierda. Para los modelos de 230/208 voltios, la longitud del cable es de 65" a la derecha y 39" a la izquierda.

DIMENSIONES MÍNIMAS DE LA APERTURA FINALIZADA*		DIMENSIONES DE LA CAJA		
Altura	Ancho	Altura	Ancho	Profundidad
15¾"	26½"	15½"	26½"	16"

*Si usará ángulos para la caja, es posible que se deban incrementar las dimensiones para que se adapte a situaciones únicas de colocación.

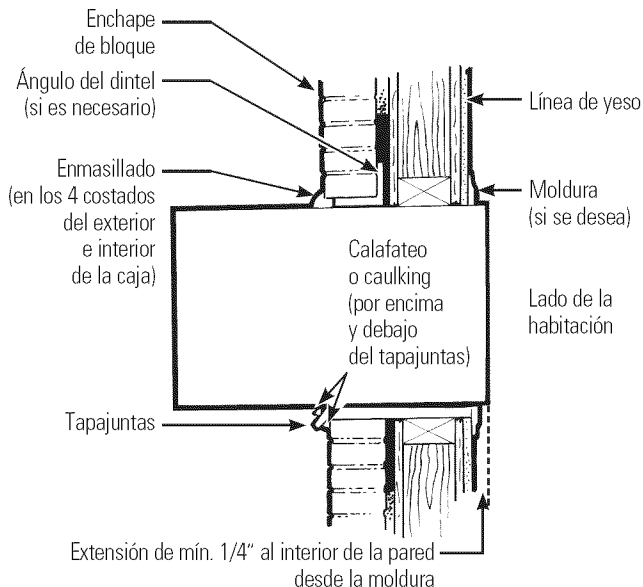
2 REQUISITOS PARA EL APOYO DEL ACONDICIONADOR DE AIRE

La caja de pared del acondicionador de aire se puede instalar con una extensión mínima de 1/4" desde la pared interior o con una extensión mínima de 1/4" desde la pared exterior.

Los costados terminados de la abertura deben ser miembros de paredes estructurales.

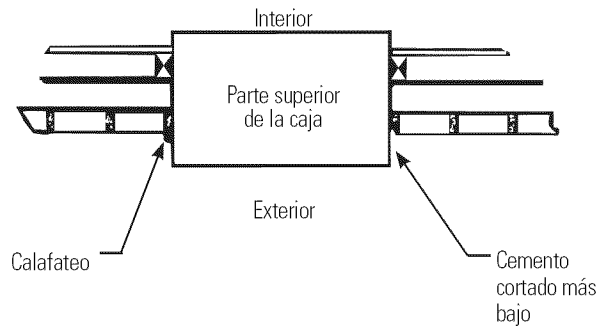
Dintel – Use un dintel en el enchape de ladrillo y en tipos de pared de ladrillo y bloque para apoyar los ladrillos o los bloques por encima de la abertura. No permita que la caja de pared se use como dintel.

Tapajuntas – Instale tapajuntas como se muestra para evitar que el agua gotee al interior de la pared y hacia abajo al exterior de la construcción.



3 REQUISITOS DE APOYO PARA EL ACONDICIONADOR DE AIRE

El mortero o cemento entre la caja y el ladrillo alrededor de la caja puede cortarse más baja a aproximadamente 45° para mejorar el calafateo.



Antes de llamar para solicitar servicio...

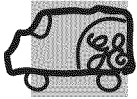
Ideas para la identificación y solución de problemas: ¡Ahorre dinero y tiempo! Revise la siguiente tabla primero y quizás no tenga que llamar para solicitar servicio.

Problema	Causas posibles	Qué hacer
El acondicionador de aire no enciende	El acondicionador de aire está desconectado.	• Cerciórese de que el acondicionador de aire está enchufado totalmente en el tomacorriente.
	El fusible se disparó / el cortacircuitos se disparó.	• Inspeccione los fusibles/caja de interruptores de la casa y reemplace cualquier fusible o reajuste el interruptor.
	Interrupción en el suministro eléctrico.	• Si ocurre una interrupción en el suministro eléctrico, apague OFF (apagado) el acondicionador de aire. Cuando la energía se restaure, espere 3 minutos para reiniciar el acondicionador de aire para prevenir que se dispare el compresor por sobrecarga.
El acondicionador de aire no enfría o calor (algunos modelos) como debería	El dispositivo de interrupción de corriente se ha activado.	• Presione el botón RESET (reinicio) ubicado en el cable de alimentación. • Si el botón RESET no se mantiene en su lugar, no utilice más el acondicionador de aire y comuníquese con un técnico calificado.
	El flujo de aire está restringido.	• Cerciórese de que no existe ninguna cortina, persiana o mueble bloqueando el frente del acondicionador de aire.
	El control de temperatura no está ajustado apropiadamente.	• En el modo COOL (frío) o HEAT (calor) (algunos modelos), presione la tecla REDUCIR .
	El filtro de aire está sucio.	• Limpie el filtro cada 30 días por lo menos. Ver la sección de Instrucciones de Operación.
	La habitación podría haber estado caliente.	• Cuando el acondicionador de aire se enciende, usted necesita darle tiempo para que enfríe la habitación.
	El aire frío se está escapando.	• Cerciórese de que los registros de la calefacción no están abiertos y se encuentran retornando el aire frío. • Asegúrese de que la ventilación del acondicionador de aire se encuentre en la posición cerrada.
El acondicionador de aire se está congelando	Las bobinas de enfriamiento se congelaron.	• Ver " Acondicionador de aire congelándose " más adelante.
	El hielo bloquea el flujo de aire hacia el acondicionador de aire evitando que se enfríe la habitación.	• Configure los controles en HIGH FAN (ventilador alto) o HIGH COOL (frío alto) y ajuste el termostato en una temperatura alta para permitir que el hielo se derrita.
El control remoto no funciona	Las baterías están insertadas incorrectamente.	• Inspeccione la posición de las baterías. Deben estar insertadas correctamente.
	Las baterías podrían estar inservibles.	• Reemplace las baterías.
Hay agua goteando afuera	Tiempo húmedo y caliente.	• Esto es normal.
Hay agua goteando en el interior de la habitación	El acondicionador de aire no está inclinado hacia afuera.	• Para drenar el agua apropiadamente, cerciórese de que el acondicionador de aire está inclinado ligeramente desde el frente hacia atrás.
Se acumula agua en la bandeja	La humedad removida del aire y se drena hasta la bandeja.	• Esto es normal por un corto período en áreas con poca humedad; normal por un período de tiempo más prolongado en áreas más húmedas.

Sonidos de operación normales

- Quizás escuche un sonido metálico causado por el agua tomada y tirada contra el condensador en los días lluviosos o cuando la humedad es alta. Esta característica de diseño ayuda a remover la humedad y mejora la eficiencia.
- Quizás escuche que el termostato hace clic cuando el compresor hace ciclo entre encendido y apagado.
- El agua se acumula en la bandeja durante días lluviosos o con mucha humedad. El agua podría derramarse y gotear desde el lado externo de la unidad.
- El ventilador podría funcionar aun si el compresor no lo hace.

Garantía de su acondicionador de aire.



Todos los servicios de garantía los proporcionan nuestros Centros de Reparación de Fábrica o nuestros técnicos Customer Care® autorizados. Para concertar una cita de reparación en línea, visítenos al GEAppliances.com, o llame al 800.GE.CARES (800.432.2737). Cuando llame para solicitar servicio, por favor tenga a mano el número de serie y el número de modelo.

Grape aquí su recibo. Se requiere facilitar prueba de la fecha de compra original para obtener un servicio bajo la garantía.

Por el período de: GE reemplazará:

Un año

A partir de la fecha de la compra original

Cualquier parte del acondicionador de aire que falle debido a defectos en los materiales o en la fabricación. Durante esta **garantía limitada de un año**, GE también proporcionará, **sin costo alguno**, toda la mano de obra y el servicio relacionado—para reemplazar partes defectuosas.

Cinco años

A partir de la fecha de la compra original

Cualquier parte del sistema de refrigeración sellada (compresor, condensador, evaporador y tuberías de conexión) que fallen debido a defectos en los materiales o fabricación. Durante estos **cuatro años adicionales de garantía limitada**, GE también proporcionará, **sin costo alguno**, toda la mano de obra y el servicio relacionado para reemplazar partes defectuosas.

Lo que no está cubierto:

- Viajes de servicio a su casa para mostrarle cómo funciona el equipo.
- Instalación, entrega o mantenimiento inapropiada. Si usted tiene un problema durante la instalación, o si su acondicionador de aire no tiene la capacidad de enfriamiento que usted necesita, póngase en contacto con nuestro distribuidor o instalador. Usted es responsable de proporcionar las facilidades de conexión eléctrica necesarias.
- Fallo del producto resultante de modificaciones al producto o debido a uso irrazonable incluyendo no proporcionar mantenimiento razonable y necesario.
- En locales comerciales, la mano de obra necesaria para retirar la unidad hacia un lugar para revisión por parte de un técnico individual.
- Reemplazo de fusibles de la casa o reajuste del sistema de circuitos.
- Fallos debido a la corrosión en modelos que no están protegidos contra la corrosión.
- Daño al producto causado por voltaje inapropiado hacia el equipo, accidentes, incendios, inundaciones o actos de la naturaleza de fuerza mayor.
- Daños incidentales o consecuenciales causados por defectos posibles con este acondicionador de aire.
- Daños causados después de la entrega.
- Producto no accesible para facilitar el servicio requerido.

EXCLUSIÓN DE GARANTÍAS IMPLÍCITAS—Su único y exclusivo derecho es la reparación del producto, tal y como se indica en esta Garantía limitada. Cualquier garantía implícita, incluyendo las garantías implícitas de comerciabilidad o adecuación para un fin determinado, están limitadas a un año o el período de tiempo más breve permitido por la ley.

Esta garantía se extiende al comprador original y cualquier comprador posterior de productos comprados para uso residencial dentro de Estados Unidos. Si el producto está situado en un área que no dispone de servicio por parte de un proveedor de servicio autorizado de GE, podría tener que hacerse cargo de los costes de envío o bien podría solicitársele que lleve el producto a una centro de servicio de GE autorizado para realizar la reparación. En Alaska, la garantía excluye el costo de envío o las visitas de servicio a su casa.

Algunos estados no permiten la exclusión o las limitaciones de daños incidentales o consecuenciales. Esta garantía da derechos legales específicos, y usted podría tener otros derechos que varían de estado a estado. Para saber cuáles son sus derechos legales, consulte a la oficina de asuntos del consumidor local o la oficina del Attorney General en su localidad.

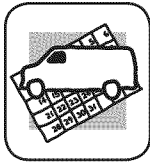
Apoyo al consumidor.



Página Web de GE Appliances

GEAppliances.com

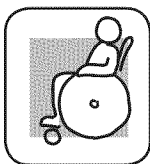
¿Tiene alguna pregunta sobre su electrodoméstico? ¡Pruebe la página Web de GE Appliances 24 horas al día, cualquier día del año! Para mayor conveniencia y servicio más rápido, ya puede descargar los Manuales de los Propietarios, pedir piezas o incluso hacer una cita en línea para que vengan a realizar una reparación.



Solicite una reparación

GEAppliances.com

El servicio de expertos GE está a tan sólo un paso de su puerta. ¡Entre en línea y solicite su reparación cuando le venga bien cualquier día del año! O llame al 800.GE.CARES (800.432.2737) durante horas normales de oficina.



Real Life Design Studio (Estudio de diseño para la vida real) GEAppliances.com

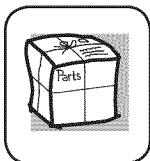
GE apoya el concepto de Diseño Universal—productos, servicios y ambientes que pueden usar gente de todas las edades, tamaños y capacidades. Reconocemos la necesidad de diseñar para una gran gama de habilidades y dificultades físicas y mentales. Para más detalles sobre las aplicaciones de GE Diseño Universal, incluyendo ideas de diseño para la cocina para personas con discapacidades, mire nuestra página Web hoy mismo. Para personas con dificultades auditivas, favor de llamar al 800.TDD.GEAC (800.833.4322).



Garantías ampliadas

GEAppliances.com

Compre una garantía ampliada y obtenga detalles sobre descuentos especiales disponibles mientras su garantía está aún activa. Puede comprarla llamando al 800.626.2224 durante horas normales de oficina. GE Consumer Home Services estará aún ahí cuando su garantía termine.



Piezas y accesorios

GEAppliances.com

Aquellos individuos con la calificación necesaria para reparar sus propios electrodomésticos pueden pedir que se les manden las piezas o accesorios directamente a sus hogares (aceptamos las tarjetas VISA, MasterCard y Discover). Haga su pedido en línea hoy, 24 horas cada día o llamar por teléfono al 800.626.2002 durante horas normales de oficina.

Las instrucciones descritas en este manual cubren los procedimientos a seguir por cualquier usuario. Cualquier otra reparación debería, por regla general, referirse a personal calificado autorizado. Debe ejercerse precaución ya que las reparaciones incorrectas pueden causar condiciones de funcionamiento inseguras.



Póngase en contacto con nosotros

GEAppliances.com

Si no está satisfecho con el servicio que recibe de GE, póngase en contacto con nosotros en nuestra página Web indicando todos los detalles así como su número de teléfono o escríbanos a:

General Manager, Customer Relations
GE Appliances, Appliance Park
Louisville, KY 40225



Registre su electrodoméstico

GEAppliances.com

¡Registre su nuevo electrodoméstico en línea—cuando usted prefiera! El registrar su producto a tiempo le proporcionará, si surgiera la necesidad, una mejor comunicación y un servicio más rápido bajo los términos de su garantía. También puede enviar su tarjeta de registro pre-impresa que se incluye en el material de embalaje.