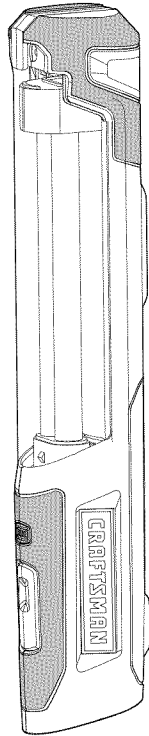


Operator's Manual

CRAFTSMAN®

12.0-VOLT LITHIUM-ION CORDLESS MULTIPURPOSE WORKLIGHT

Model No. 320. 2966



⚠ WARNING: To reduce the risk of injury, the user must read and understand the Operator's manual before using this product.

- Warranty
- Safety
- Description
- Operation
- Maintenance
- Troubleshooting
- Español



Sears Brands Management Corporation, Hoffman Estates, IL 60179 U.S.A.

www.craftsman.com

TABLE OF CONTENTS

Warranty	page 2
Safety Symbols	page 3-4
Important Safety Instructions	page 5-9
Unpacking	page 9
Description	page 10-11
Operation	page 12-17
Maintenance	page 18-19
Troubleshooting	page 19
Exploded View and Parts List	page 20-21
Sears Repair Parts Phone Number	Back Cover

CRAFTSMAN ONE YEAR LIMITED WARRANTY

FOR ONE YEAR from the date of purchase, this power tool is warranted against any defects in material or workmanship. With proof of purchase, defective product(s) will be replaced free of charge.

For warranty coverage details to obtain free replacement, visit the web site: www.craftsman.com

This warranty does not cover the fluorescent tube, which is an expendable part that can wear out from normal use within the warranty period.

This warranty is void if this product is ever used while providing commercial services or if rented to another person.

This warranty gives you specific legal rights, and you may also have other rights which vary from state to state.

Sears Brands Management Corporation, Hoffman Estates, IL 60179


SAVE THESE INSTRUCTIONS!

READ ALL INSTRUCTIONS!

This cordless 12V Multi-Purpose Worklight has many features for making its use more pleasant and enjoyable. Safety, performance, and dependability have been given top priority in the design of this product, making it easy to maintain and operate.


SAFETY SYMBOLS


The purpose of safety symbols is to attract your attention to possible dangers. The safety symbols and the explanations with them deserve your careful attention and understanding. The symbol warnings do not, by themselves, eliminate any danger. The instructions and warnings they give are no substitutes for proper accident prevention measures.


 **WARNING:** Be sure to read and understand all safety instructions in this manual, including all safety alert symbols such as “**DANGER,**” “**WARNING,**” and “**CAUTION**” before using this Multi-Purpose Worklight. Failure to follow all instructions listed in this manual may result in electric shock, fire, and/or serious personal injury.

SAFETY SYMBOL MEANING

SAFETY ALERT SYMBOL: Indicates **DANGER, WARNING, OR CAUTION.** May be used in conjunction with other symbols or pictographs.


 **DANGER:** Indicates an imminently a hazardous situation, which, if not avoided, will result in death or serious injury.

 **WARNING:** Indicates a hazardous situation, which, if not avoided, could result in death or serious injury.

 **CAUTION:** Indicates a hazardous situation, which, if not avoided, could result in minor or moderate injury.












These inform the user of import information and/or instructions that could lead to equipment or other property damage if they are not followed. Each message is preceded by the word “NOTICE,” as in the example below:

NOTICE: Equipment and/or property damage may result if these instructions are not followed.

 **WARNING:** To ensure safety and reliability, all repairs should be performed by a qualified service technician at a Sears Parts & Repair Service Center.

SAVE THESE INSTRUCTIONS

Some of these following symbols may be used on this tool. Please study them and learn their meanings. Proper interpretation of these symbols will allow you to operate the tool better and more safely.

SYMBOL	NAME	DESIGNATION/EXPLANATION
V	Volts	Voltage
A	Amperes	Current
Hz	Hertz	Frequency (cycles per second)
W	Watt	Power
min	Minutes	Time
	Alternating Current	Type of current
	Direct Current	Type or a characteristic of current
n_0	No Load Speed	Rotational speed, at no load
	Class II Construction	Double-insulated construction
.../min	Per Minute	Revolutions, strokes, surface speed, orbits, etc., per minute
	Wet Conditions Alert	Do not expose to rain or use in damp locations.
	Read The Operator's Manual	To reduce the risk of injury, user must read and understand operator's manual before using this product.
	Eye Protection	Always wear safety goggles or safety glasses with side shields and a full face shield when operating this product.
	Safety Alert	Precautions that involve your safety.
	No Hands Symbol	Failure to keep your hands away from the blade will result in serious personal injury.
	No Hands Symbol	Failure to keep your hands away from the blade will result in serious personal injury.
	No Hands Symbol	Failure to keep your hands away from the blade will result in serious personal injury.
	No Hands Symbol	Failure to keep your hands away from the blade will result in serious personal injury.
	Hot Surface	To reduce the risk of injury or damage, avoid contact with any hot surface.

IMPORTANT SAFETY INSTRUCTIONS

⚠ WARNING: When using this Multi-Purpose Worklight, basic precautions should always be followed, including the following.

GENERAL POWER TOOL SAFETY WARNINGS

⚠ WARNING: Read all safety warnings and instructions before using this Multi-Purpose Worklight. Failure to follow the warnings and instructions may result in electric shock, fire and/or serious personal injury.

Save all warnings and instructions for future reference.

The term “power tool” in all warnings refers to your mains-operated (corded) power tool or battery-operated (cordless) power tool.

WORK AREA SAFETY

- **Keep your work area clean and well lit.** Cluttered or dark areas invite accidents.
- **Do not operate power tools in explosive environments, such as in the presence of flammable liquids, gases, or dust.** Power tools create sparks, which may ignite the dust or fumes.
- **Keep children and bystanders away while operating a power tool.** Distractions may cause you to lose control.

ELECTRICAL SAFETY

- **Power tool plugs must match the outlet. Never modify the plug in any way. Do not use any adapter plugs with earthed (grounded) power tools.** Unmodified plugs and matching outlets will reduce the risk of electric shock.
- **Avoid body contact with grounded surfaces, such as pipes, radiators, ranges, and refrigerators.** There is an increased risk of electric shock if your body is grounded.
- **Do not expose power tools to rain or wet conditions.** Water entering a power tool will increase the risk of electric shock.
- **Do not abuse the cord. Never use the cord for carrying, pulling, or unplugging the power tool. Keep the cord away from heat, oil, sharp edges, or moving parts.** Damaged or entangled cords increase the risk of electric shock.
- **When operating a power tool outdoors, use an extension cord suitable for outdoor use.** Use of a cord suitable for outdoor use reduces the risk of electric shock.
- **If operating a power tool in a damp location is unavoidable, use a residual ground fault circuit interrupter (GFCI) protected supply.** Use of a GFCI reduces the risk of electric shock.
- **Use only with the battery and chargers listed:**

Battery pack	Charger
320.11221	320. 29497
	320.10006
	320.14300

PERSONAL SAFETY

- **Stay alert, watch what you are doing, and use common sense when operating a power the tool. Do not use a power tool while tired or under the influence of drugs, alcohol, or medication.** A moment of inattention while operating power tools may result in serious personal injury.
- **Use personal protective equipment. Always wear eye protection.** Protective equipment, such as dust mask, non-skid safety shoes, hard hat, or hearing protection, used for appropriate conditions, will reduce personal injuries.
- **Prevent unintentional starting. Ensure that the switch is in the OFF position before connecting to a power source and/or battery pack, picking up, or carrying the tool.** Carrying power tools with your finger on the switch or energizing power tools that have the switch on invites accidents.
- **Remove any adjusting key or wrench before turning the power tool on.** A wrench or a key left attached to a rotating part of the power tool may result in personal injury.
- **Do not overreach. Keep proper footing and balance at all times.** This enables better control of the power tool in unexpected situations.
- **Dress properly. Do not wear loose clothing or jewelry. Keep your hair, clothing and gloves away from moving parts.** Loose clothes, jewelry or long hair can be caught in moving parts.
- **If devices are provided for the connection of dust extraction and collection facilities, ensure that these are connected and properly used.** Use of these devices can reduce dust-related hazards.

POWER TOOL USE AND CARE

- **Do not force the power tool. Use the correct power tool for your application.** The correct power tool will do the job better and more safely at the rate for which it was designated.
- **Do not use the power tool if the switch does not turn it on and off.** Any power tool that cannot be controlled with the switch is dangerous and must be repaired.
- **Disconnect the plug from the power source and/or remove the battery pack from the power tool before making any adjustments, changing accessories, or storing power tools.** Such preventive safety measures reduce the risk of starting the power tool accidentally.
- **Store idle power tools out of the reach of children and do not allow persons unfamiliar with the power tool or these instructions to operate the power tool.** Power tools are dangerous in the hands of untrained users.
- **Maintain power tools. Check for misalignment or binding of moving parts, breakage of parts and any other condition that may affect the power tool's operation. If damaged, have the power tool repaired before use.** Many accidents are caused by poorly maintained power tools.

- **Keep cutting tools sharp and clean.** Properly maintained cutting tools with sharp cutting edges are less likely to bind and are easier to control.
- **Use the power tool, accessories, blades, etc. in accordance with these instructions and in the manner intended for the particular type of power tool, taking into account the working conditions and the work to be performed.** Use of the power tool for operations different from those intended could result in a hazardous situation.

BATTERY TOOL USE AND CARE

- **Recharge only with the charger specified by the manufacturer.** A charger that is suitable for one type of battery pack may create a risk of fire when used with another battery pack.
- **Use power tools only with specifically designated battery packs.** Use of any other battery packs may create a risk of injury and fire.
- **When the battery pack is not in use, keep it away from other metal objects, such as paper clips, coins, keys, nails screws, or other small metal objects that can make a connection from one terminal to another.** Shorting the battery terminals together may cause burns or a fire.
- **Under abusive conditions, liquid may be ejected from the battery; avoid contact. If contact accidentally occurs, flush with water. If liquid contacts eyes, additionally seek medical help.** Liquid ejected from the battery may cause irritation or burns.

SERVICE

- **Have your power tool serviced by a qualified repair person using only identical replacement parts.** This will ensure that the safety of the power tool is maintained.
- **Follow instructions in the Maintenance section of this manual.** Use of unauthorized parts or failure to follow Maintenance instructions may create a risk of shock or injury.

SPECIFIC SAFETY RULES FOR MULTI-PURPOSE WORKLIGHT

⚠ WARNING: If any part is broken or missing, do not attempt to plug in the power cord, attach the battery pack or operate the Multi-Purpose Worklight until the broken or missing part is replaced. Failure to do so could result in possibly serious injury.

⚠ WARNING: Do not attempt to modify this Multi-Purpose Worklight or create accessories not recommended for use with this tool. Any such alteration or modification is misuse and could result in a hazardous condition leading to possible serious injury.

⚠ WARNING: To prevent accidental starting that could cause serious personal injury, always remove the battery pack from the Multi-Purpose Worklight when assembling parts.

- **Know your Multi-Purpose Worklight. Read operator's manual carefully.** Learn the applications and limitations, as well as the specific potential hazards related to this tool. Following this rule will reduce the risk of electric shock, fire or serious injury.
- **To reduce the risk of injury, close supervision is necessary when the Multi-Purpose Worklight is used near children.**
- **To reduce the risk of electrical shock, do not put the Multi-Purpose Worklight and Battery Pack in water or other liquid.** Do not place or store the worklight where it can fall or be pulled into a tub or sink.
- **Do not stare directly into the Multi-Purpose Worklight.** Avoid direct eye contact; never project the Worklight to another person's eyes. Failure to observe this precaution will lead serious personal injury.
- **Keep the Multi-Purpose Worklight away from sensitive electronics.** The magnets may disturb the normal work of the sensitive electronics.
- **Do not use outdoors in rain, snow, damp or wet locations.** Do not use in explosive atmospheres (gaseous fumes, dust or flammable materials) because sparks may be generated when inserting or removing the battery pack, possibly causing fire.
- **Battery tools do not have to be plugged into an electrical outlet; therefore, they are always in operating condition. Be aware of possible hazards when not using your battery tool or when changing accessories.** Following this rule will reduce the risk of electric shock, fire or serious personal injury.
- **Do not place battery tools or their batteries near fire or heat.** This will reduce the risk of explosion and possible injury.
- **Do not crush, drop or damage the battery pack. Do not use a battery pack or charger that has been dropped or received a sharp blow.** A damaged battery is subject to explosion. Properly dispose of a dropped or damaged battery immediately.
- **Batteries vent hydrogen gas and can explode in the presence of a source of ignition, such as a pilot light.** To reduce the risk of serious personal injury, never use any cordless product in the presence of open flame. An exploded battery can propel debris and chemicals. If exposed, flush with water immediately.
- **Do not charge a battery tool in a damp or wet location.** Following this rule will reduce the risk of electric shock.
- **For best results, your battery tool should be charged in a location where the temperature is more than 32°F (0°C) but less than 104°F (40°C).**
- **Do not store outside or in vehicles.**

- **Under extreme usage or temperature conditions, battery leakage may occur.** If liquid comes in contact with your skin, wash immediately with soap and water, then neutralize with lemon juice or vinegar. If liquid gets in your eyes, flush them with clean water for at least 10 minutes, then seek immediate medical attention. Following this rule will reduce the risk of serious personal injury.
- **If the power supply cord is damaged,** it must be replaced only by the manufacturer or by an authorized service center to avoid risk.

UNPACKING

This product has been shipped completely assembled.

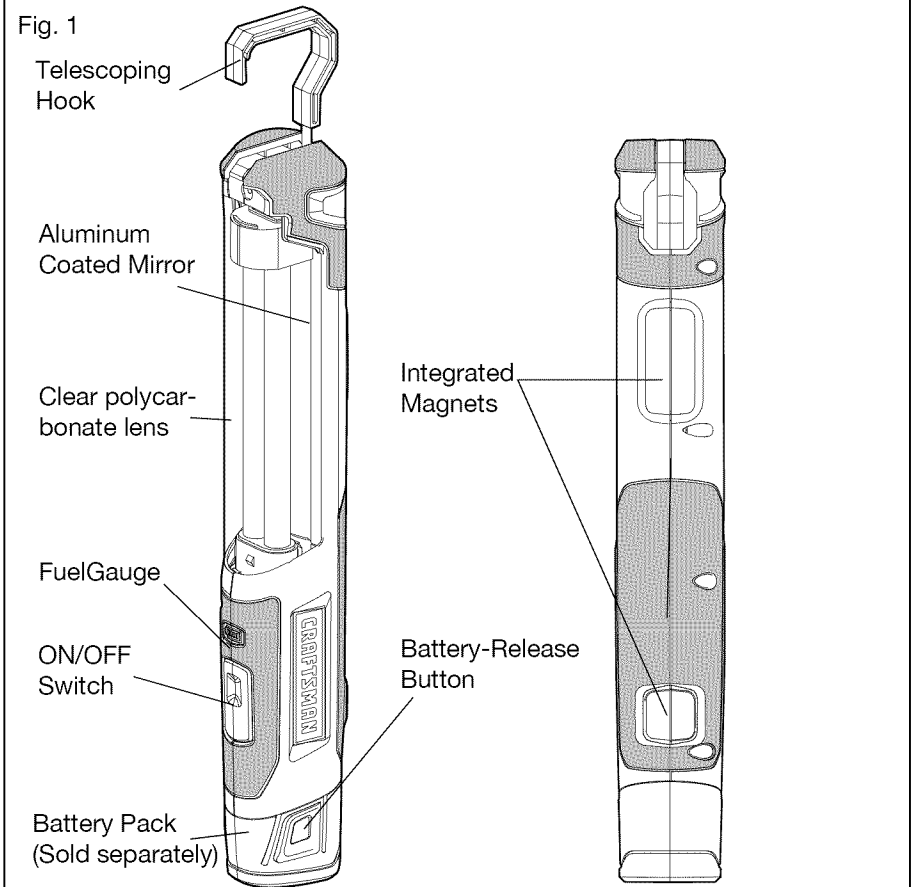
- Carefully remove the tool and any accessories from the box. Make sure that all items listed in the packing list are included.
- Inspect the tool carefully to make sure that no breakage or damage occurred during shipping.
- Do not discard the packing material until you have carefully inspected and satisfactorily operated the tool.
- If any parts are damaged or missing, please refer to the numbers listed on the back page of operator's manual.

PACKING LIST

Multi-Purpose Worklight, operator's manual

DESCRIPTION

KNOW YOUR MULTI-PURPOSE WORKLIGHT (Fig.1)



- **Clear Polycarbonate Lens:** Durable lens transmits the light and protects the fluorescent tube from damage.
- **Aluminum Coated Mirror:** Directs and focuses light to eliminate shadows or blind spots. The mirror has a unique contour to throw light forward and outward to provide 320° of light.
- **Fluorescent Tube:** Long lasting 13 Watt, 730 lumen tube lasts 1.5 hours on a single charge.
- **Telescoping Hook:** Integrated hook can conveniently be extended up to 4-1/4 inches and rotates 360°.
- **FuelGauge:** Green, yellow and red LED lights indicate the amount of charge remaining.
- **Integrated Magnets:** Designed to easily attach to metal surfaces under the hood, in the home or on the job.

PRODUCT SPECIFICATIONS	
Illumination Source	Fluorescent Light
Lamp Power	12V 13Watt
Run-time	Approximately 1.5 hrs
Worklight Weight (without battery)	0.8 lbs
Battery Type	Lithium-Ion
Battery Voltage	12 Volt DC
Charger Input	120-Volts, 60 Hz AC only
Optimum Charging Temperature	32°F (0°C) -104°F (40°C)

OPERATION

LOW-BATTERY CAPACITY INDICATOR

NOTICE: A new battery pack is not fully charged!

First, read the safety rules, and then follow the instructions in the sections entitled “Important Charging Notes” and **HOW TO CHARGE THE BATTERY PACK.**

Important Charging Notes.

1. Longest life and best performance can be obtained if batteries are charged at normal room temperature.
2. While charging a battery, the charger will normally become warm.
3. If the batteries do not charge properly:
 - A. Verify the current at the outlet by plugging in a lamp or other appliance and turning it on.
 - B. Determine whether the outlet is connected to a light switch that turns the power off when you turn out the lights; if so, make sure that the power is turned on.
4. The battery pack should be recharged when it fails to produce sufficient power on jobs that were previously done easily or when the FuelGauge shines red to indicate that the charge is depleted. Do not continue to use the tool under these conditions. Repeat the charging procedure.
5. Unplug the charger from the power supply before disconnecting it from the tool. Unplug the charger before attempting to clean.
6. Battery life depends on usage, storage temperature and time.
7. The charger is intended to be used in a vertical or floor-mounted position.

Unlike other battery types, Lithium-Ion battery delivers fade-free power for their entire run time. The tool will not experience a slow, gradual loss of power as you work. To signal that the battery is at the end of its run time and needs to be charged, the power to the tool will drop quickly.

BATTERY PROTECTION

The battery circuitry protects the battery pack from extreme temperature, over-discharge, and over-charge. To protect the battery from damage and prolong its life, the battery pack circuitry will turn off the battery pack if it becomes overloaded or if the temperature becomes too high during use. This may happen in extremely high torque, binding, and stalling situations. This intelligent system will shut down your battery pack if its operating temperature exceeds 176°F (80°C) and will begin normal operation when it returns to 32°F (0°C) - 104°F (40°C).

NOTICE: A significantly reduced run time after fully charging the battery pack indicates that the battery is near the end of its usable life and must be replaced.

COLD WEATHER OPERATION

This Lithium-Ion battery pack will provide optimal performance in temperatures between 32°F (0°C) and 104°F (40°C). When the battery pack is very cold, it may “pulse” for the first minute of use to warm itself. Install the battery pack in the tool and use the tool in a light application; after about a minute, the battery pack will have warmed itself and will operate normally.

WHEN TO CHARGE THE BATTERY PACK

It is not necessary to run down the battery pack charge before recharging. The Lithium-Ion battery can be charged at any time and will not develop a “memory” when charged after only a partial discharge.

Remove the battery pack from the tool when it is convenient for you and your job. “Top off” the battery pack charge by charging it for a time before starting a big job or long period of use.

Due to Lithium-Ion fade-free properties, the only time it is necessary to charge the Lithium-Ion battery pack is when the pack has reached the end of its charge.

The yellow LED on the FuelGauge indicates that the battery has used approximately one half of its charge.

The red LED on the FuelGauge indicates the battery pack is depleted and needs to be charged.

Charge the battery pack as needed.

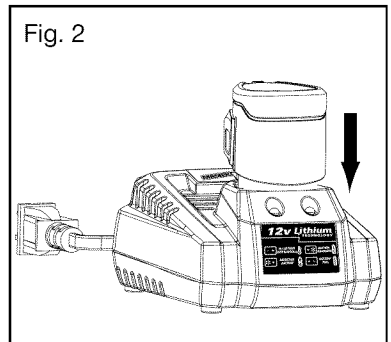
HOW TO CHARGE THE BATTERY PACK (Fig. 2)

NOTICE: The Lithium-Ion battery pack (available separately) is shipped partially charged. Before using it the first time, fully charge the battery pack.









A fully discharged battery pack will charge in about 30 minutes in a surrounding temperature between 32°F (0°C) and 104°F (40°C).

1. Charge the Lithium-Ion battery pack with the correct charger.
2. Connect the charger to a power supply.
3. Align the raised ribs of the battery pack with the slot in the charger.
4. Insert the battery pack into the charger (Fig. 2).
5. The charger will communicate with the battery pack to evaluate the condition of the battery pack.
6. The green lights will flash while the battery pack is charging. After charging is complete, the green LED on the charger will be on. The flickering red light indicates a defective battery or a bad connection between the battery and the charger.
7. The battery pack will fully charge if left on the charger, but it will not overcharge.

NOTICE: For your convenience, the charger can operate with most generators and inverters rated at 300 watts or higher.



LED FUNCTIONS OF CHARGER

LED INDICATOR	BATTERY PACK	RED LED	GREEN LED	ACTION
 HI/LO TEMP. (SEE MANUAL)	 Hot/Cold battery	On	Off	Charging will begin when battery returns to 32°F (0°C)-104°F (40°C)
 DEFECTIVE BATTERY	 Defective	Flashing	Off	Battery pack or Charger/Adapter is defective
 BATTERY CHARGING	 Charging	Off	Flashing	Charging
 BATTERY FULL	 Fully charged	Off	On	Charging is complete

CHARGING A HOT BATTERY PACK

If the battery pack is above normal temperature range, the red LED will illuminate and the green LED will be off. When the battery pack cools down to approximately 104°F (40°C), the charger will automatically begin charging.

CHARGING A COLD BATTERY PACK

If the battery pack is below the normal temperature range, the red LED will illuminate and the green LED will be off. When the battery warms to a temperature of more than 32°F (0°C), the charger will automatically begin charging.

DEFECTIVE BATTERY

If the charger detects a problem with the battery, the battery may be defective: the red LED will begin flashing and the green LED will be off.

1. If registering as defective, remove and reinsert the battery pack in the charger. If the LED status reads “defective” a second time, try charging a different battery pack.
2. If a different battery pack charges normally, dispose of the defective battery pack (see Maintenance section).
3. If a different battery pack also indicates “defective,” the charger may be defective.

BATTERY CHARGING

If the battery pack is being charged within a normal surrounding temperature range (32°F to 104°F), the green LED will begin flashing and the red LED will be off. The battery pack will reach a full charge in 30 minutes.

BATTERY FULL

If the battery pack is within normal temperature range, the green LED will illuminate and the red LED will be off. The battery pack is fully charged and ready to use. The battery pack will fully charge, but will not overcharge, if left on the charger.

NOTICE: The charger may become warm with several continuous charge cycles. This is part of the normal operation of the charge. Charge in a well ventilated area.

TO ATTACH BATTERY PACK (sold separately) (Fig. 3)

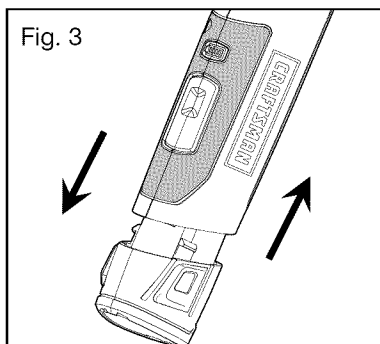
1. Make sure that the Worklight is turned OFF.
2. Align the raised rib on the battery pack with the grooves of the Worklight, then attach the battery pack to the Worklight.

NOTICE: Make sure that the latch on the battery pack snaps into place and the battery pack is secured to the tool before beginning operation.

TO DETACH BATTERY PACK (sold separately) (Fig. 3)

1. Depress the battery release button located on the both sides of the battery pack to release battery pack.
2. Pull the battery pack out and remove it from the tool.

CAUTION: When placing the battery pack in the tool, be sure that the raised rib on the battery pack aligns with the groove inside the worklight and the latches snap into place properly. Improper assembly of the battery pack can cause damage to internal components.



TURN ON/OFF THE MULTI-PURPOSE WORKLIGHT (Fig. 4)

Depress the switch to turn the worklight on. Depress it again to turn the worklight off (Fig.4).

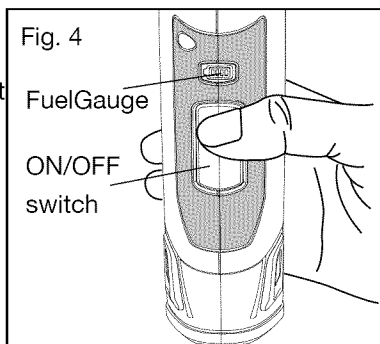
FuelGauge (Fig. 4)

This tool is equipped with a FuelGauge that indicates the battery pack charge level.

The green LED on the FuelGauge indicates that the battery is fully charged.

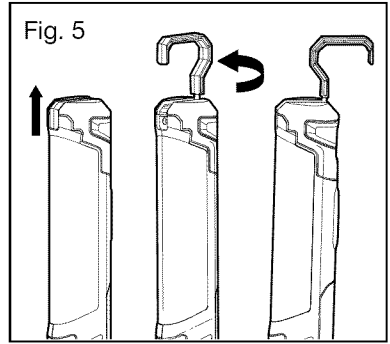
The yellow LED on the FuelGauge indicates that the battery has used approximately one half of its charge.

The red LED on the FuelGauge indicates the battery pack is depleted and needs to be charged.



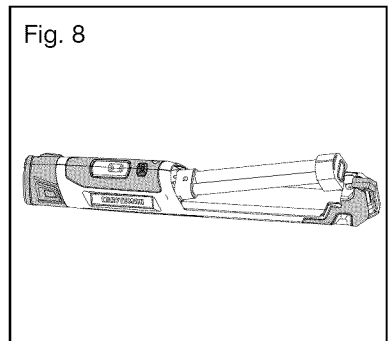
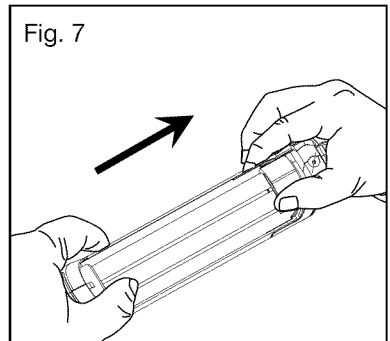
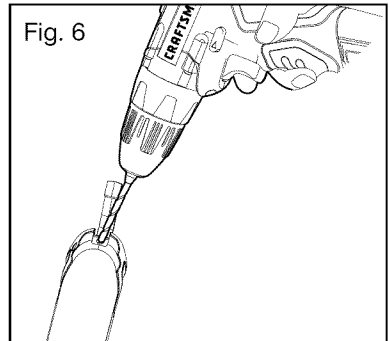
ADJUSTING THE WORKLIGHT HOOK (Fig. 5)

The telescoping hook can be extended up to 4-1/4 inches and can rotate 360°.



HOW TO REPLACE THE FLUORESCENT TUBE

1. Make sure that the Worklight is “OFF” and then remove the battery pack.
2. Fully extend the hook and locate the screw in the lens.
3. Unscrew the screw with a screwdriver; remove the lens (Fig.6).
4. Grasp the fluorescent tube and gently pull it out of the receptacle in the worklight. Remove the white cap on the top of the tube (Fig. 7).
5. Place the white cap on the top of the new fluorescent tube.
6. Align the two ribs on the base of the tube with the grooves on the worklight housing (Fig. 8).



7. Hold the base of the tube and slowly insert the new tube into the receptacle in the worklight (Fig. 9). Ensure that the tube is fully inserted into the receptacle.
8. Replace the lens and secure it with the screw (Fig. 10).

⚠ CAUTION: To avoid serious personal injury, always remove the battery pack from the worklight when replacing the tube.

⚠ CAUTION: When replacing the tube, use only identical replacement tubes. Use of any other tubes may create a hazard or cause product damage.

⚠ CAUTION: When replacing the tube, do not attempt to disassemble any other parts of the worklight in addition to the tube and lens, which could result in possibly serious injury.

Fig. 9

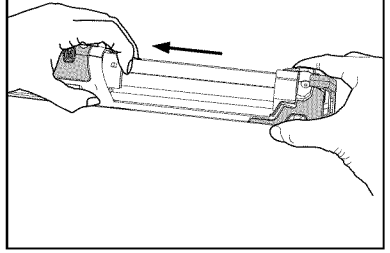
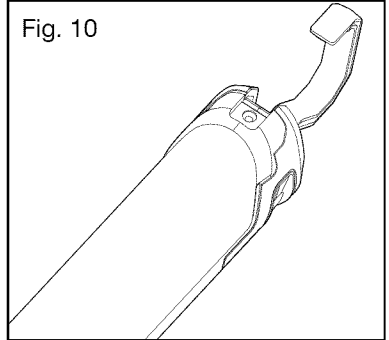


Fig. 10



MAINTENANCE

⚠ WARNING: To avoid serious personal injury, always remove the battery pack from the tool when cleaning or performing any maintenance.

⚠ WARNING: When servicing, use only identical Craftsman replacement parts. Use of any other parts may create a hazard or cause product damage.

⚠ WARNING: It is not recommended to use compressed dry air as a cleaning method for the Multi-Purpose Worklight. If cleaning with compressed air is the only method available, always wear safety goggles or safety glasses with side shields when using compressed air to clean the tool. If the operation is dusty, also wear a dust mask.

Avoid using solvents when cleaning plastic parts. Most plastics are susceptible to damage from various types of commercial solvents and may be damaged by their use. Use clean cloths to remove dirt, dust, oil, grease, etc.

⚠ WARNING: Do not at any time let brake fluids, gasoline, petroleum-based products, penetrating oils, etc. to come in contact with plastic parts. Chemicals can damage, weaken or destroy plastic which may result in serious personal injury.

⚠ WARNING: When servicing, use only identical Craftsman replacement parts. Use of any other parts may create a hazard or cause product damage. To ensure safety and reliability, all repairs should be performed by a qualified service technician at a Sears Service Center.

REPLACEMENT TUBE

Use with CRAFTSMAN replacement tube PL-13 13 Watt model NO. 911212 (available in Sears stores and Craftsman outlets)

BATTERIES:

The battery pack is equipped with Lithium-Ion rechargeable batteries. The duration of use from each charge will depend on the type of work performed.

Do not disassemble the battery pack or attempt to replace the batteries. Handling of the batteries, especially when wearing rings and jewelry could result in a serious burn.

To obtain the longest possible battery life, follow the instructions that follow.

- It is good practice to unplug the Charger/Adapter and remove the Lithium-Ion battery pack when not in use.

For Lithium-Ion battery pack storage longer than 30 days:

- Store the Lithium-Ion battery pack where the temperature is below 80°F (26°C) and free of moisture.
- Store Lithium-Ion battery packs in a 30%-50% charged condition.
- After every six months of storage, fully charge the Lithium-Ion battery pack.
- Exterior may be cleaned with a cloth or soft non-metallic brush.

BATTERY PACK REMOVAL AND PREPARATION FOR RECYCLING

To preserve natural resources, please recycle or dispose of batteries properly. Local, state, or federal laws may prohibit disposal of lithium-ion batteries in ordinary trash. Consult your local waste authority for information regarding available recycling and/or disposal options.

▲ WARNING: Upon removal of the battery pack for disposal or recycling, cover the battery pack's terminals with heavy-duty adhesive tape.

Do not attempt to destroy or disassemble the battery pack or remove any of its components. Lithium-ion batteries must be recycled or disposed of properly. Also, never touch both terminals with metal objects and/or body parts, as short circuit may result. Keep away from children. Failure to comply with these warning could result in fire and/or serious injury.



TROUBLESHOOTING

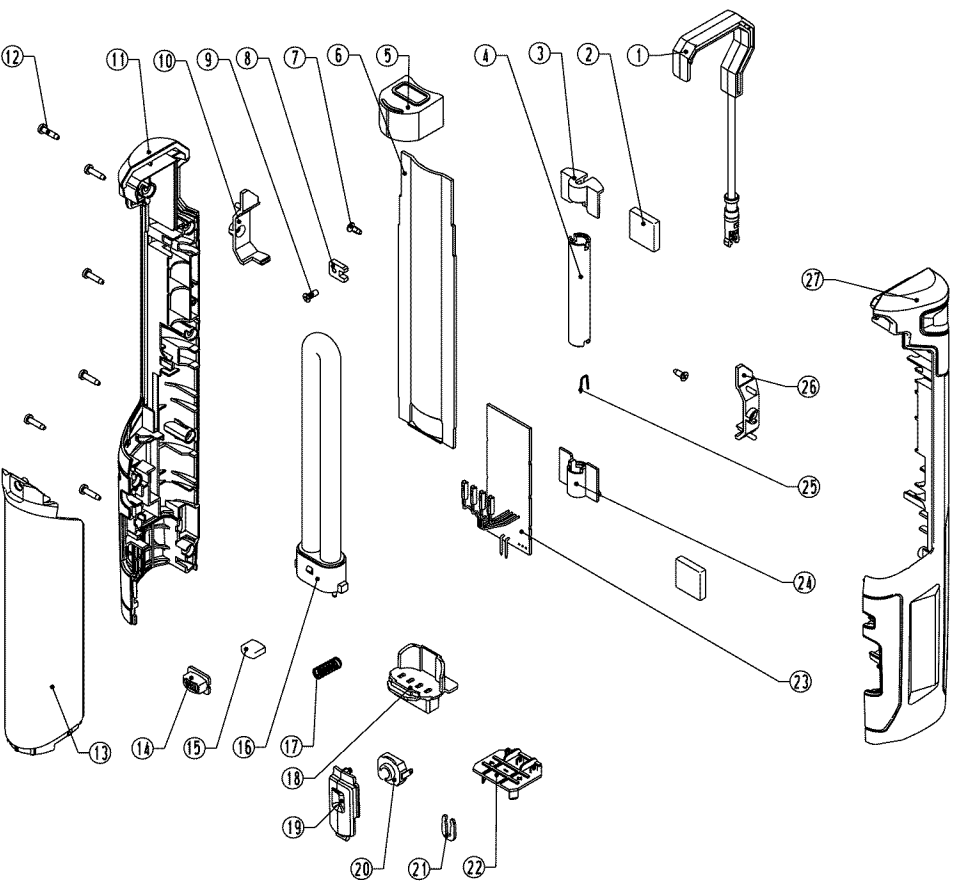
PROBLEM	CAUSE	SOLUTION
The light does not turn on	Battery is depleted	Charge the battery
	Fluorescent tube is damaged	Replace the tube

EXPLODED VIEW AND PART LIST

12.0-VOLT LITHIUM-ION CORDLESS MULTI-PURPOSE WORKLIGHT

MODEL NO.320.2966

The Model Number will be found on the Nameplate attached near the ON/OFF switch of the Multi-Purpose Worklight. Always mention the Model Number in all correspondence regarding your tool.



PARTS LIST

No	Part No	Part Name	QTY
1	3402489000	Hook	1
2	3680134000	Magnetic Block	2
3	3125833000	Top Cover	1
4	3125841000	Slip Bush	1
5	3125827000	Sheath	1
6	3125826000	Reflecto	1
7	5610076000	Tapping Screw	2
8	3551680000	Latch	1
9	5620063000	Screw	1
10	3125824000	Cover	1
11	3321180000	Right Housing Assembly	1
12	5610012000	Tapping Screw	6
13	3125825000	Transparent Guard	1
14	3125830000	Window Display	1
15	3125831000	Light Guide Pole	1
16	4980003000	Light	1
17	3660003000	Spring	1
18	3125828000	Lamp Holder	1
19	3125829000	Switch Button	1
20	4870384001	Push Switch	1
21	3704254000	Handle Hoop	1
22	3402298000	Contact Receptacle Assembly	1
23	4890745000	PCB Assembly	1
24	3125840000	Bottom Cover	1
25	3650132000	Clamp Wire	1
26	3125823000	Cover	1
27	3321179000	Left Housing Assembly	1

NOTE

NOTE

Get it fixed, at your home or ours!

Your Home

For troubleshooting, product manuals and expert advice:



www.managemylife.com

For repair – **in your home** – of **all** major brand appliances, lawn and garden equipment, or heating and cooling systems, **no matter who made it, no matter who sold it!**

For the replacement parts, accessories and owner's manuals that you need to do-it-yourself.

For Sears professional installation of home appliances and items like garage door openers and water heaters.

1-800-4-MY-HOME®

(1-800-469-4663)

www.sears.com

Call anytime, day or night

(U.S.A. and Canada)

www.sears.ca

Our Home

For repair of carry-in items like vacuums, lawn equipment, and electronics, call anytime for the location of the nearest

Sears Parts & Repair Service Center

1-800-488-1222 (U.S.A.)

www.sears.com

1-800-469-4663 (Canada)

www.sears.ca

To purchase a protection agreement on a product serviced by Sears:

1-800-827-6655 (U.S.A.)

1-800-361-6665 (Canada)

Para pedir servicio de reparación a domicilio, y para ordenar piezas:

1-888-SU-HOGAR®

(1-888-784-6427)

www.sears.com

Au Canada pour service en français:

1-800-LE-FOYER^{MC}

(1-800-533-6937)

www.sears.ca

Sears

® Registered Trademark / TM Trademark of KCD IP, LLC in the United States, or Sears Brands, LLC in other countries

© Marca Registrada / TM Marca de Fábrica de KCD IP, LLC en Estados Unidos, o Sears Brands, LLC in otros países

^{MC} Marque de commerce / ^{MD} Marque déposée de Sears Brands, LLC