



**COMMERCIAL HE DRYER INSTALLATION INSTRUCTIONS  
(original instructions)**

Gas

---

**INSTRUCTIONS D'INSTALLATION D'UN SECHE-LINGE HE COMMERCIAL  
(traduction des instructions d'origine)**

À gaz

---

**INSTRUCCIONES DE INSTALACIÓN – SECADORA HE COMERCIAL  
(traducción de las instrucciones originales)**

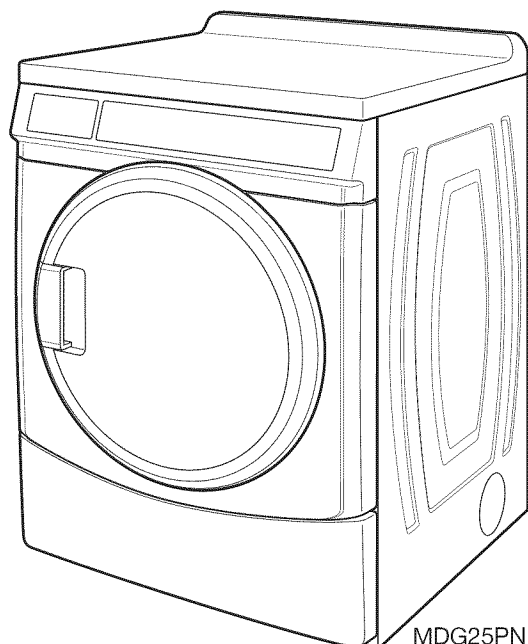
A gas

---

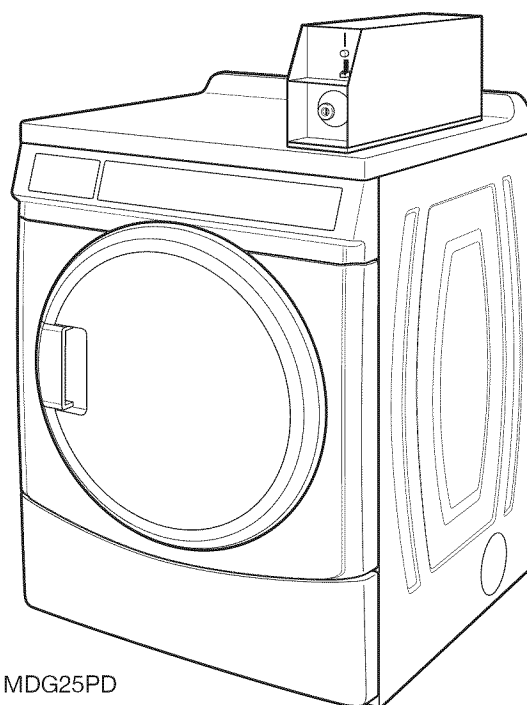
**ISTRUZIONI D'INSTALLAZIONE – ASCIUGATRICE HE COMMERCIALE  
(traduzione delle istruzioni originali)**

A gas

---



MDG25PN



MDG25PD

---

# TABLE OF CONTENTS

|  |   |  |    |
|--|---|--|----|
| <b>DRYER SAFETY</b> .....                | 3 | <b>INSTALLATION INSTRUCTIONS – GAS DRYER</b> ..... | 9  |
| <b>DRYER DISPOSAL</b> .....              | 4 | Install Leveling Legs.....                         | 9  |
| <b>INSTALLATION REQUIREMENTS</b> .....   | 4 | Make Gas Connection .....                          | 9  |
| Tools and Parts .....                    | 4 | Connect Vent .....                                 | 9  |
| Location Requirements .....              | 4 | Complete Installation .....                        | 9  |
| Electrical Requirements - Gas Dryer..... | 5 | <b>MAINTENANCE INSTRUCTIONS</b> .....              | 10 |
| Gas Supply Requirements .....            | 6 | <b>TECHNICAL SPECIFICATIONS – GAS DRYER</b> .....  | 10 |
| Venting Requirements .....               | 7 | <b>REVERSING THE DOOR SWING (OPTIONAL)</b> .....   | 11 |
|  |   | <b>ELECTRONIC CONTROL SETUP</b> .....              | 13 |
|  |   | <b>WARRANTY</b> .....                              | 17 |

---

# TABLE DES MATIERES

|  |    |  |    |
|--|----|--|----|
| <b>SECURITE DU SECHE-LINGE</b> .....                 | 18 | <b>INSTRUCTIONS D'INSTALLATION –</b>                   |    |
| <b>ELIMINATION DU SECHE-LINGE</b> .....              | 19 | <b>SECHE-LINGE A GAZ</b> .....                         | 25 |
| <b>EXIGENCES D'INSTALLATION</b> .....                | 19 | Installation des pieds de nivellement.....             | 25 |
| Outillage et pièces .....                            | 19 | Raccordement à la canalisation de gaz .....            | 25 |
| Exigences d'emplacement .....                        | 20 | Raccordement du conduit d'évacuation .....             | 25 |
| Spécifications électriques - sèche-linge à gaz ..... | 21 | Achever l'installation .....                           | 25 |
| Spécifications de l'alimentation en gaz .....        | 22 | <b>INSTRUCTIONS D'ENTRETIEN</b> .....                  | 26 |
| Exigences concernant l'évacuation .....              | 23 | <b>FICHE TECHNIQUE – SECHE-LINGE A GAZ</b> .....       | 26 |
|  |    | <b>INVERSION DU SENS D'OUVERTURE DE LA PORTE</b> ..... | 27 |
|  |    | <b>REGLAGE DE LA CARTE</b>                             |    |
|  |    | <b>DE CIRCUITS ELECTRONIQUES</b> .....                 | 29 |
|  |    | <b>GARANTIE</b> .....                                  | 33 |

---

# ÍNDICE

|  |    |   |    |
|--|----|---|----|
| <b>SEGURIDAD DE LA SECADORA</b> .....        | 34 | <b>INSTRUCCIONES DE INSTALACIÓN –</b>                   |    |
| <b>ELIMINACIÓN DE LA SECADORA</b> .....      | 35 | <b>SECADORA A GAS</b> .....                             | 40 |
| <b>REQUISITOS DE INSTALACIÓN</b> .....       | 35 | Instalación de las patas niveladoras .....              | 40 |
| Piezas y herramientas .....                  | 35 | Conexión del suministro de gas.....                     | 40 |
| Requisitos de ubicación.....                 | 35 | Conexión del ducto de escape .....                      | 40 |
| Requisitos eléctricos - secadora a gas ..... | 36 | Complete la instalación .....                           | 40 |
| Requisitos del suministro de gas.....        | 37 | <b>INSTRUCCIONES DE MANTENIMIENTO</b> .....             | 41 |
| Requisitos de ventilación .....              | 38 | <b>ESPECIFICACIONES TÉCNICAS – SECADORA A GAS</b> ..... | 41 |
|  |    | <b>CÓMO INVERTIR EL SENTIDO DE APERTURA</b>             |    |
|  |    | <b>DE LA PUERTA</b> .....                               | 42 |
|  |    | <b>PROGRAMACIÓN DEL CONTROL ELECTRÓNICO</b> .....       | 44 |
|  |    | <b>GARANTÍA</b> .....                                   | 48 |

---

# INDICE

|  |    |   |    |
|--|----|---|----|
| <b>SICUREZZA DELL'ASCIUGATRICE</b> .....       | 49 | <b>ISTRUZIONI DI INSTALLAZIONE – ASCIUGATRICE</b>     |    |
| <b>L'ELIMINAZIONE DELL'ASCIUGATRICE</b> .....  | 50 | <b>A GAS</b> .....                                    | 55 |
| <b>REQUISITI D'INSTALLAZIONE</b> .....         | 50 | Installazione dei piedini di regolazione .....        | 55 |
| Attrezzi e componenti.....                     | 50 | Eeguire il collegamento gas .....                     | 55 |
| Requisiti di ubicazione .....                  | 50 | Connessione dello scarico .....                       | 55 |
| Requisiti elettrici – asciugatrice a gas ..... | 51 | Completamento dell'installazione .....                | 56 |
| Requisiti di alimentazione del gas.....        | 52 | <b>ISTRUZIONI DI MANUTENZIONE</b> .....               | 57 |
| Requisiti di scarico.....                      | 53 | <b>DATI TECNICI – ASCIUGATRICE A GAS</b> .....        | 57 |
|  |    | <b>INVERSIONE DELLA ROTAZIONE DI APERTURA</b> .....   | 58 |
|  |    | <b>CONFIGURAZIONE DEI CONTROLLI ELETTRONICI</b> ..... | 60 |
|  |    | <b>GARANZIA</b> .....                                 | 64 |

# DRYER SAFETY

## Your safety and the safety of others are very important.

We have provided many important safety messages in this manual and on your appliance. Always read and obey all safety messages.



This is the safety alert symbol.

This symbol alerts you to potential hazards that can kill or hurt you and others.

All safety messages will follow the safety alert symbol and either the word "DANGER" or "WARNING."

These words mean:

**⚠ DANGER**

You can be killed or seriously injured if you don't immediately follow instructions.

**⚠ WARNING**

You can be killed or seriously injured if you don't follow instructions.

All safety messages will tell you what the potential hazard is, tell you how to reduce the chance of injury, and tell you what can happen if the instructions are not followed.

## FOR YOUR SAFETY

1. DO NOT USE OR STORE PETROL OR OTHER FLAMMABLE MATERIALS IN THIS APPLIANCE OR NEAR THIS APPLIANCE.
2. DO NOT SPRAY AEROSOLS IN THE VICINITY OF THIS APPLIANCE WHILE IT IS IN OPERATION.
3. DO NOT MODIFY THIS APPLIANCE.

**WARNING: For your safety, the information in this manual must be followed to minimize the risk of fire or explosion, or to prevent property damage, personal injury, or death.**

- Do not store or use petrol or other flammable vapors and liquids in the vicinity of this or any other appliance.
- WHAT TO DO IF YOU SMELL GAS:
  - Do not try to light any appliance.
  - Do not touch any electrical switch; do not use any phone in your building.
  - Clear the room, building, or area of all occupants.
  - Immediately call your gas supplier from a neighbor's phone. Follow the gas supplier's instructions.
  - If you cannot reach your gas supplier, call the fire department.
- Installation and service must be performed by a qualified installer, service agency, or the gas supplier.

## Model Nomenclature

**MDG** Maytag Dryer – Gas

**##(e.g. 25)** Model Type Number

**PN** Electronic Control – Non-Pay

**PD** Electronic Control – Coin Drop enabled

# DRYER DISPOSAL



This appliance is marked according to the European directive 2002/ 96/ EC on Waste Electrical and Electronic Equipment (WEEE).

By ensuring this product is disposed of correctly, you will help avoid potential negative consequences for the environment and human health, which could otherwise be caused by inappropriate waste handling of this product.

The symbol on the product, or on the documents accompanying the product, indicates that this appliance may not be treated as household waste. Instead it shall be handed over to the applicable collection point for the recycling of electrical and electronic equipment.

Disposal must be carried out in accordance with local environmental regulations for waste disposal.

For more detailed information about treatment, recovery and recycling of this product, please contact your local city office, your household waste disposal service or the shop where you purchased the product.

## INSTALLATION REQUIREMENTS

### Tools and Parts

Gather the required tools and parts before starting installation. Read and follow the instructions provided with any tools listed here.

#### Tools needed:

- 200 mm (8") or 250 mm (10") Pipe wrench
- 200 mm (8") or 250 mm (10") Adjustable wrench
- Flat-blade screwdriver
- Phillips screwdriver
- Adjustable wrench that opens to 25 mm (1") or hex-head socket wrench
- Level
- 8 mm (5/16") socket wrench
- Utility knife
- Vent clamps
- Pipe-joint compound resistant to LP gas
- Sealing gun and sealing compound (for installing new exhaust vent)
- Pliers
- Stiff-bladed putty knife

#### Parts supplied:

Remove parts bag from dryer drum. Check that all parts were included.

- Foot boot (4)
- Dryer foot (4)
- PD models: Cam for service door lock
- PN models: Card reader bezel, card reader wire harness, hardware

**NOTE:** The circuit diagram for this dryer is located inside the lower front panel, within the Tech Sheets.

### Location Requirements

#### **⚠ WARNING**



#### **Explosion Hazard**

**Keep flammable materials and vapors, such as petrol, away from dryer.**

**Do not install in a garage.**

**Failure to do so can result in death, explosion, or fire.**

#### **If installing a gas dryer:**

**IMPORTANT:** Observe all governing codes and ordinances.

- Check code requirements: Some codes limit or do not permit installation of clothes dryers in garages, closets, or sleeping quarters. Contact your local building inspector.
- Make sure that lower edges of the cabinet, plus the back and bottom sides of the dryer, are free of obstructions to permit adequate clearance of air openings for combustion air. See "Recessed Area and Closet Installation Instructions" below for minimum spacing requirements.
- Do not install on carpet.

**NOTE:** The dryer must not be installed in an area where it will be exposed to water and/or weather.

## Recessed Area and Closet Installation Instructions

This dryer may be installed in a recessed area or closet. This dryer must not be installed behind a lockable door, a sliding door, or a door with a hinge on the opposite side to that of the dryer.

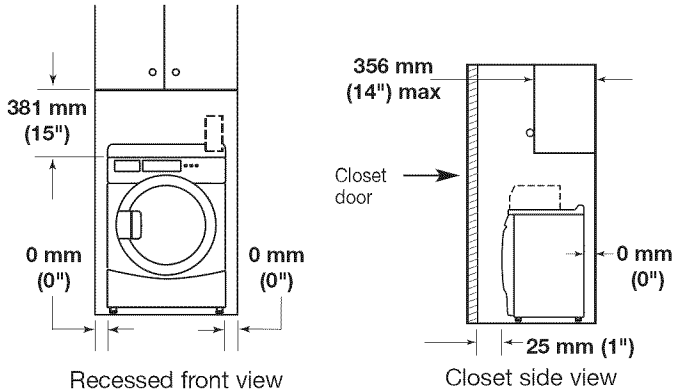
The installation spacing is in millimeters and is the minimum allowable. Additional spacing should be considered for ease of installation, servicing, and compliance with local codes and ordinances.

If installed in a closet with a door, the minimum unobstructed air opening in the top and bottom is required. Louvered doors with equivalent air openings are acceptable.

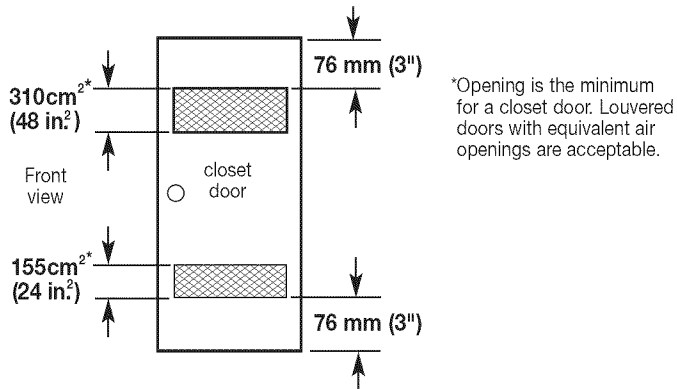
The dryer must be exhausted outdoors.

No other fuel-burning appliance may be installed in the same closet as the dryer.

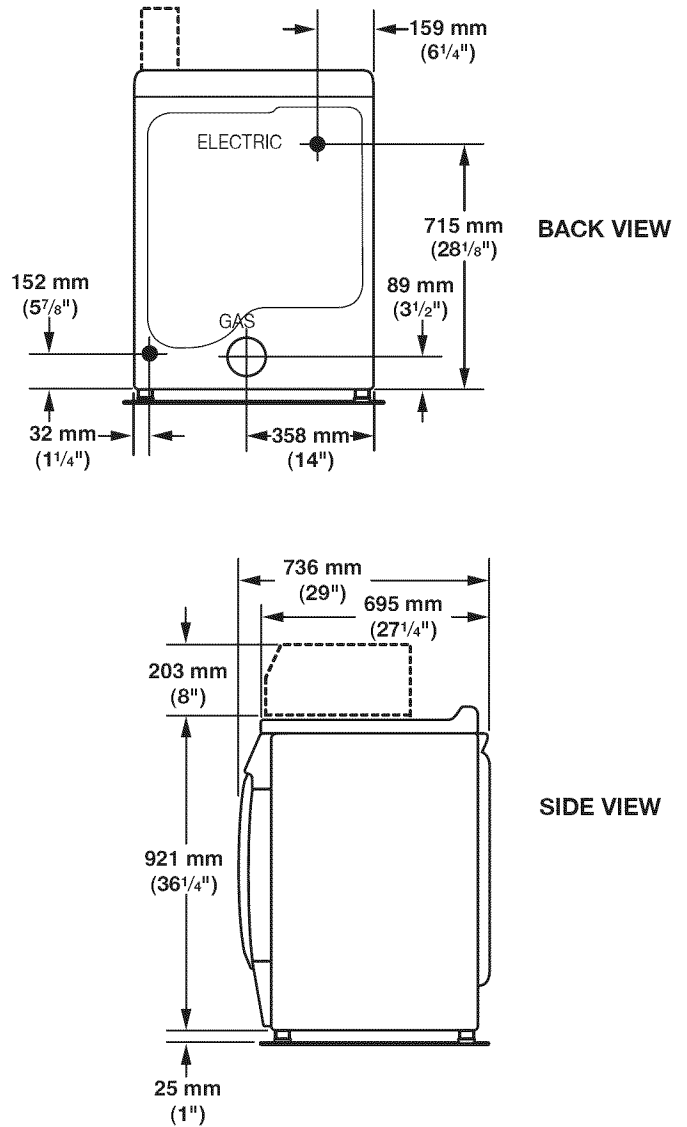
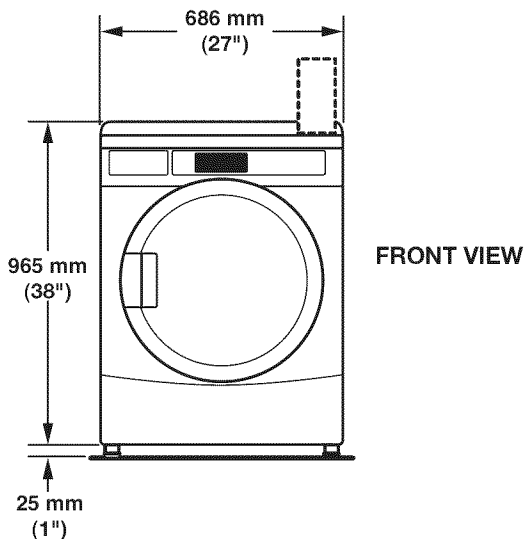
### Minimum Installation Clearances



Additional clearances may be required for wall, door, and floor moldings, or if external exhaust elbow is used.




### Product Dimensions 686 mm (27") dryer



## Electrical Requirements - Gas Dryer

**⚠ WARNING**



**Dangerous Voltage**

**Important:** Observe all governing codes and ordinances. You will need an earthed electrical outlet located within 610 mm (2 feet) of either side of the dryer.

This dryer is supplied/fitted with an electricity supply cord and plug. It should be connected to electricity supply socket at the voltage shown on the rating plate. The minimum supply fuse capacity should be 5A. The dryer must be positioned so that the plug is clearly visible and accessible. This plug also provides the function of an emergency stop control for the user. If the fitted plug is not used, the electrical connection must be carried out by a competent electrician in accordance with local or national codes.

If the supply cord is damaged, it must be replaced with a specially terminated cord by an authorized service agent or a similarly competent person in order to avoid a hazard.


Do not use an adapter.

Do not use an extension cord.

**NOTE:** In accordance with the European EMC Directive (2004/108/EC), the maximum electricity supply system impedance to which the gas dryer should be connected is declared to be 0.054 Ohm + j0.034 Ohm.

**NOTE:** Electrical safety standards: The manufacturer has chosen compliance with IEC/EN.60335 standards as the most appropriate for this product.

**⚠ WARNING**



**Electric Shock Hazard**

**This is a 3-wire appliance which must be earthed.**

**Do not earth to a gas pipe.**

**Do not change the power supply cord plug. If it does not fit the outlet, have a proper outlet installed by a qualified electrician.**

**Do not use an extension cord with this dryer.**

**Failure to follow these instructions could result in death, fire, or serious injury.**

If codes permit and an additional earth bond wire is used, it is recommended that a qualified electrician determine that the earth bond path is adequate.

**EARTHING INSTRUCTIONS**

- For an earthed cord-connected dryer: This dryer must be earthed. In the event of a malfunction or breakdown, earthing will reduce the risk of electric shock by providing a path of least resistance for electric current. This dryer is equipped with a cord having an equipment-earthing conductor and a earthing plug. The plug must be plugged into an appropriate outlet that is properly installed and earthed in accordance with all local codes and ordinances.

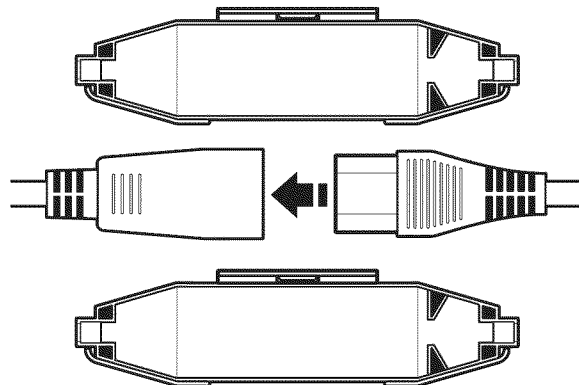
**WARNING:** Improper connection of the equipment-earthing conductor can result in a risk of electric shock. Check with a qualified electrician or service representative or personnel if you are in doubt as to whether the dryer is properly earthed. Do not modify the plug provided with the dryer: if it will not fit the outlet, have a proper outlet installed by a qualified electrician.

**SAVE THESE INSTRUCTIONS**

### Using the universal cord included with this dryer:


The gas dryer is equipped with a universal cord with interchangeable plugs.

1. To use the universal cord, select the plug end that fits your electrical outlet, and plug it into the adapter on the supply cord.
2. Secure the plug end in place on the cord by aligning the 2 cover halves over the cord adapter and clipping them together.



### Gas Supply Requirements

**⚠ WARNING**



**Explosion Hazard**

**Connect this dryer to a regulated gas supply. Supply pressure must be in accordance with the Technical Specifications (see last page).**

**Install a shut-off valve.**

**Securely tighten all gas connections.**

**If connected to LP, have a qualified person make sure gas pressure is correct.**

**Failure to do so can result in death, explosion, or fire.**

**IMPORTANT:** Observe all governing codes and ordinances.

### Gas Supply

Before installation, check that the local gas distribution conditions, nature of gas and pressure, and the adjustment of the appliance are compatible. Burner information will be found on the model/serial rating plate in the door recess of the dryer. If this information does not agree with the type of gas available, see your dealer.

## Natural Gas:

This dryer is factory adjusted for use with NATURAL GAS (G20), and no further adjustment should be required at installation.

## L.P. Gas:

This dryer is also certified for use with L.P. (propane or butane) gases with appropriate conversion. No attempt shall be made to convert the appliance from the gas specified on the model/serial rating plate for use with a different gas without consulting the serving gas supplier.

Conversion must be done by a competent service technician. Gas conversion kit, part number W10233219, is available for purchase from your dealer. Full instructions are supplied with the kit.

## Natural gas (France/Belgium):

This dryer is also certified for France/Belgium for use with G20/G25 gases (20 mbar/25 mbar) with appropriate conversion. No attempt should be made to convert this appliance from the gas specified on the gas rating label for use with a different gas without consulting the serving gas supplier. Gas conversion must be done by a qualified gas service technician. Conversion kit, part number (W10181947) is available for purchase from your dealer. Full instructions are supplied with the kit.

## Supply line requirements:

Provide a rigid gas supply line to the dryer location. It should be minimum 12.5 mm (1/2") ID. When acceptable to the gas supplier and local codes, 10 mm (3/8") ID rigid supply line may be used for lengths under 6.1 m (20'). Pipe-joint compounds resistant to the action of L.P. gas must be used.

Gas connection to the dryer itself should be made by means of a flexible gas hose suitable for the appliance and gas category in accordance with national installation regulations. If in doubt, contact the gas supplier. It should be minimum 10 mm (3/8") ID.

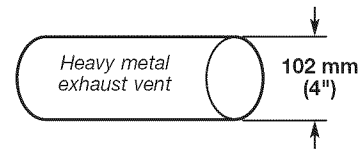
A means of restraint should be used between the appliance and the wall to prevent straining of the rigid gas supply when the appliance is moved. An appropriate length of chain and a wall hook is recommended.

The dryer gas inlet connection is a 3/8" NPT thread. An adapter is supplied for conversion to standard ISO.228-1 thread (3/8" BSP).

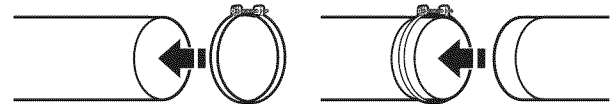
Check for leaks by using an approved noncorrosive leak-detection solution. Bubbles will show a leak. Correct any leak found. A pressure measurement tapping is provided on the gas valve within the dryer, accessible after removal of the lower front panel.

The dryer must be disconnected from the gas supply piping system during any pressure testing of that system.

- Following these venting requirements will minimise ducting air noise.
- Gas dryers should only be installed in a room if the room meets the appropriate ventilation requirements specified in the national installation regulations. Make sure the room containing the dryer has an adequate air supply for gas combustion and drying operation. A window or equivalent means of ventilation must be opened in the room when the dryer is in use (an equivalent form of opening includes an adjustable louver, hinged panel, or other means of ventilation that opens directly to outside air). Adequate ventilation has to be provided to avoid the backflow of gases into the room from other fuel-burning appliances, including open fires (i.e. available airflow into the room should match airflow out from the room).
- The design of the flue system should be such that any condensate formed when operating the dryer from cold shall either be retained and subsequently re-evaporated or discharged. Following these instructions should adequately meet this requirement.
- Dryer exhaust must not be connected into any gas vent, chimney, wall, ceiling, attic, crawlspace, or a concealed space of a building. Only rigid or flexible metal vent shall be used for exhausting.
- Do not use an exhaust hood with a magnetic latch.
- Do not install flexible metal vent in enclosed walls, ceilings, or floors.
- Only a 102 mm (4") heavy metal exhaust vent and clamps may be used.



- Use clamps to seal all joints. Vent must not be connected or secured with screws or other fastening devices which extend into the interior of the vent and catch lint. Do not use duct tape.



### Improper venting can cause moisture and lint to collect indoors, which may result in:

- Moisture damage to woodwork, furniture, paint, wallpaper, carpets, etc.
- Housecleaning problems and health problems.

**IMPORTANT:** Observe all governing codes and ordinances. Use a heavy metal vent. Do not use plastic or metal foil vent. Rigid metal vent is recommended for best drying performance and to avoid crushing and kinking. Flexible metal vent must be fully extended and supported when the dryer is in its final position. Remove excess flexible metal vent to avoid sagging and kinking that will result in reduced airflow and poor performance. The total length of flexible metal vent should not exceed 2.4 m (7¾ ft.). An exhaust hood should cap the vent to keep rodents and insects from entering the building. Exhaust hood must be at least 305 mm (12") from the ground or any object that may be in the path of the exhaust (such as flowers, rocks, bushes, or snow). If using an existing vent system, clean lint from the entire length of the system and make sure exhaust hood is not plugged with lint. Replace any plastic or metal foil vent with rigid metal or flexible metal vent.

## Venting Requirements

### ⚠ WARNING



#### Fire Hazard

**Use a heavy metal vent.**

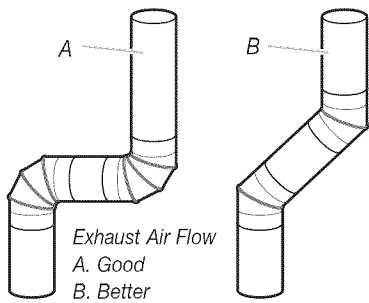
**Do not use a plastic vent.**

**Do not use a metal foil vent.**

**Failure to follow these instructions can result in death or fire.**

**WARNING:** To reduce the risk of fire, this dryer MUST BE EXHAUSTED OUTDOORS.

Plan installation to use the fewest number of elbows and turns.



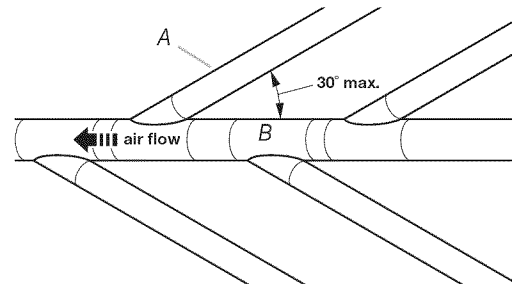
Allow as much room as possible when using elbows or making turns. Bend vent gradually to avoid kinking.

Vent outlet is located at the center of the bottom dryer back.

The vent can be routed up, down, left, right, behind the dryer, or straight out the back of the dryer.

Each vent should enter the main vent at an angle pointing in the direction of the airflow. Vents entering from the opposite side should be staggered to reduce the exhausted air from interfering with the other vents.

The maximum angle of each vent entering the main vent should be no more than 30°.

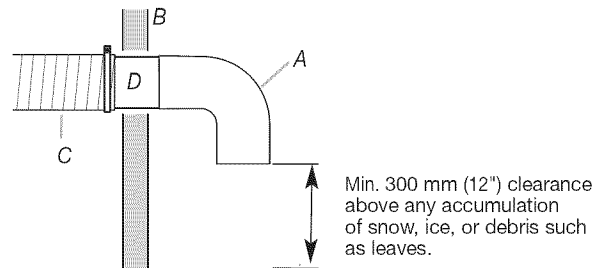


A. Individual dryer vent  
B. Main vent

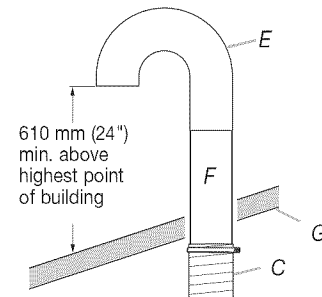
Keep air openings free of dry cleaning fluid fumes. Fumes create acids which, when drawn through the dryer heating units, can damage dryers and items being dried.

A clean-out cover should be located on the main vent for periodic cleaning of the vent system.

**If an exhaust hood cannot be used:**



A. Exhaust hood or elbow  
B. Wall  
C. Main collector vent  
D. Horizontal vent  
E. 180° sweep elbow  
F. Vertical vent  
G. Roof



The outside end of the main vent should have a sweep elbow directed downward. If the main vent travels vertically through the roof, rather than through the wall, install a 180° sweep elbow on the end of the vent at least 610 mm (2 ft.) above the highest part of the building. The opening in wall or roof shall have a diameter 13 mm (1/2") larger than the vent diameter. The vent should be centered in the opening.

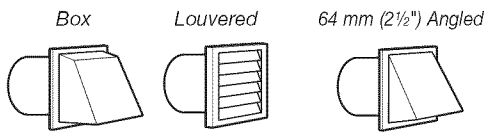
Do not install screening or cap over the end of the vent.

## Vent System Length

Maximum length of vent system depends upon the type of vent used, number of elbows, and type of exhaust hood.

### Maximum Vent Length

#### 102 mm (4") Exhaust Hoods



| Rigid Metal Vent | 102 mm (4") Exhaust Hoods   |                   |
|------------------|-----------------------------|-------------------|
|                  | Box Hood and Louvered Style | Angled Hood Style |
| No. of 90° turns |                             |                   |
| 0                | 39.6 m (130 ft.)            | 39.3 m (129 ft.)  |
| 1                | 38.1 m (125 ft.)            | 36.3 m (119 ft.)  |
| 2                | 35.1 m (115 ft.)            | 33.2 m (109 ft.)  |
| 3                | 32.3 m (106 ft.)            | 30.5 m (100 ft.)  |
| 4                | 29.9 m (98 ft.)             | 28 m (92 ft.)     |

If dryer is installed in a confined area, such as a bedroom, bathroom, or closet, provision must be made for enough air for combustion and ventilation. (Check governing codes and ordinances.) See "Recessed Area and Closet Installation Instructions" in the "Location requirements" section.

A 102 mm (4") outlet hood is preferred. However, a 64 mm (2½") outlet exhaust hood may be used. A 64 mm (2½") outlet creates greater back pressure than other hood types. For permanent installation, a stationary vent system is required.

## Multiple Dryer Venting

- A main vent can be used for venting a group of dryers. Main vent should be sized to remove 5663 l/min (200 CFM) of air per dryer. Large-capacity lint screens of proper design may be used in the main vent if checked and cleaned frequently. The room where the dryers are located should have make-up air equal to or greater than the airflow of all the dryers in the room.
- A back-draft damper kit is needed and is available from a commercial laundry distributor; it should be installed in the vent of each dryer to keep exhausted air from returning into the dryers and to keep the exhaust in balance within the main vent. Unobstructed return air openings are required.



# INSTALLATION INSTRUCTIONS – GAS DRYER

## Install Leveling Legs

### **⚠ WARNING**

#### **Excessive Weight Hazard**

**Use two or more people to move and install dryer.  
Failure to do so can result in back or other injury.**

**NOTE:** Slide dryer onto cardboard or hardboard before moving to avoid damaging floor covering.

1. Using two or more people, move dryer to desired installation location.
2. Take tape off front corners of dryer. Open dryer and remove the literature and parts packages. Wipe the interior of the drum thoroughly with a damp cloth.
3. Take two of the cardboard corners from the carton and place them on the floor in back of the dryer. Firmly grasp the body of the dryer and gently lay it on its back on the cardboard corners.
4. With one of the legs in hand, check the ridges for a diamond marking. That's how far the leg is supposed to go into the hole.
5. Start to screw the leveling legs into the holes by hand. (Use a small amount of liquid detergent to lubricate the screw threads so it is easier to turn the legs.) Use a 25 mm (1") wrench or socket wrench to finish turning the legs until you reach the diamond mark. Then fit a protective foot boot over each foot.
6. Now stand the dryer up.
7. Remove cardboard or hardboard from under dryer. Adjust the legs of the dryer up or down until the dryer is level.

## Make Gas Connection

### **⚠ WARNING**

#### **Excessive Weight Hazard**

**Use two or more people to move and install dryer.  
Failure to do so can result in back or other injury.**

1. Remove red cap from gas pipe.
2. Connect gas supply to dryer. If the flexible gas hose has 3/8" BSP thread, use the supplied conversion thread adapter. Use pipe-joint compound resistant to the action of L.P. gas for gas connections.  
  
If necessary for service, open the toe panel. Use a putty knife to press on the 2 toe panel locks located at the top of the toe panel. Pull downward on the toe panel to open. Toe panel is hinged at the bottom.
3. Open the shutoff valve in the gas supply line.
4. Test all connections by brushing on an approved noncorrosive leak-detection solution. Bubbles will show a leak. Correct any leaks found.

## Connect Vent

1. Using a 102 mm (4") clamp, connect vent to exhaust outlet in dryer. If connecting to existing vent, make sure the vent is clean. The dryer vent must fit over the dryer exhaust outlet and inside the exhaust hood. Make sure the vent is secured to exhaust hood with a 102 mm (4") clamp.
2. Move dryer into final position. Do not crush or kink vent. Make sure dryer is level.
3. Check to be sure there are no kinks in the flexible gas line.

## Complete Installation

1. With dryer in final position place level on top of the dryer, first side to side, then front to back. If the dryer is not level, adjust the legs of the dryer up or down until the dryer is level.

### **⚠ WARNING**



#### **Electric Shock Hazard**

**This dryer must be earthed.  
Securely tighten all electrical connections.  
Failure to do so can result in death, fire, or electric shock.**

2. Plug into an earthed outlet.
3. Check dryer operation:  
Press the selection button for a full cycle and let the dryer run for at least five minutes. Dryer will stop when time is used up.  
**NOTE:** Dryer door must be closed for dryer to operate. When door is open, dryer stops, but timer continues to run. To restart dryer, close door and press a cycle button.
4. If the burner does not ignite and there is no heat inside the dryer, shut off dryer for five minutes. Check that all gas supply valves are in the "ON" position and that the electrical cord is plugged in. Repeat five-minute test.

# MAINTENANCE INSTRUCTIONS

## Maintenance instructions:

- Clean lint screen after each cycle.
- Removing accumulated lint (disconnect dryer from electricity and gas supplies before starting this task):
  - From inside the dryer cabinet:  
Lint should be removed every 2 years or more often, depending on dryer usage. Cleaning should be done by a qualified person.
  - From the exhaust vent:  
Lint should be removed every 2 years, or more often, depending on dryer usage.

## If dryer does not operate, check the following:

- Electric supply is connected.
- Circuit breaker is not tripped or fuse is not blown.
- Door is closed. Listen closely to hear door switches activate.
- Selected cycle button has been pressed firmly and display shows cycle time.
- Check that gas supply shutoff valves are set in open position.

## If you need assistance:

Contact your authorized Maytag® Commercial Laundry distributor or visit: [www.MaytagCommercialLaundry.com](http://www.MaytagCommercialLaundry.com). When you call, you will need the dryer model number and serial number. Both numbers can be found on the serial-rating plate located on your dryer.

# TECHNICAL SPECIFICATIONS - GAS DRYER

|   |  |  |
|---|--|--|
| 220-240V~50Hz 1ph 3A max. IP24 Clothes capacity: 9.0 kg max. Sound pressure level, Lpa: 58 dBA (uncertainty, Kpa: +/-10 dBA) Total mass: 68 kg max.   |  |  |
| <b>Factory set for NATURAL GAS: Injector size: 2.2 mm Heat input gross: 5.9 kW</b>  |  |  |
| European Country:   | CH, CZ, CY, ES, GB, GR, HR, IE, IT, PT, SI, SK, TR | CY, CZ, DK, EE, FI, GR, HU, IT, NO, RO, SE, SK, TR |
| European Gas Category:  | <sub>2</sub> H <sub>3</sub> +                      | <sub>2</sub> H <sub>3</sub> B/P                    |
| Gas Flow Rate:  | 0.562703 m <sup>3</sup> /hr                        | 0.562703 m <sup>3</sup> /hr                        |
| Supply Pressure (G20):  | 20 mbar  | 20 mbar  |
| Factory Adjusted Pressure:  | 7.4 mbar   | 7.4 mbar   |
| <b>With LP Gas Conversion Kit: Injector size: 1.25 mm Heat input gross: 6.4 kW</b>  |  |  |
| European Country:   | CH, CZ, CY, ES, GB, GR, HR, IE, IT, PT, SI, SK, TR | CY, CZ, DK, EE, FI, GR, HU, IT, NO, RO, SE, SK, TR |
| European Gas Category:  | <sub>2</sub> H <sub>3</sub> +                      | <sub>2</sub> H <sub>3</sub> B/P                    |
| Butane Supply Pressure (G30):   | 28-30 mbar   | 30 mbar  |
| Adjusted Pressure:  | N/A  | N/A  |
| Propane Supply Pressure (G31):  | 37 mbar  | 30 mbar  |
| Adjusted Pressure:  | N/A  | N/A  |
| <b>With France/Belgium NATURAL GAS conversion kit: Injector size: 1.65 mm Heat input gross: 5.9 kW</b>  |  |  |
| European Country:   | FR, BE   |  |
| European Gas Category:  | <sub>2</sub> E+                                    |  |
| Supply Pressure (G20):  | 20 mbar  |  |
| Supply Pressure (G25):  | 25 mbar  |  |
| Adjusted Pressure:  | N/A  |  |
| <b>NOTE:</b> Conversion kit: From Natural Gas to LP Gas: Whirlpool Part No. W10233219.<br>Conversion kit: From Natural Gas to Natural Gas - France/Belgium: Whirlpool Part No. W10181947.<br>Manufacturer: Whirlpool Corporation, Benton Harbor, Michigan 49022, U.S.A.<br>Manufacturing Site: Whirlpool Corporation, 1300 Marion-Agosta Rd., Marion, OH 43302, U.S.A.<br>EU representatives: Maytag UK Ltd., 2 St. Annes Blvd., Redhill, RH1 1AX, UK<br>& Bauknecht Hausgeräte GmbH, D-73614 Schorndorf, Germany |  |  |

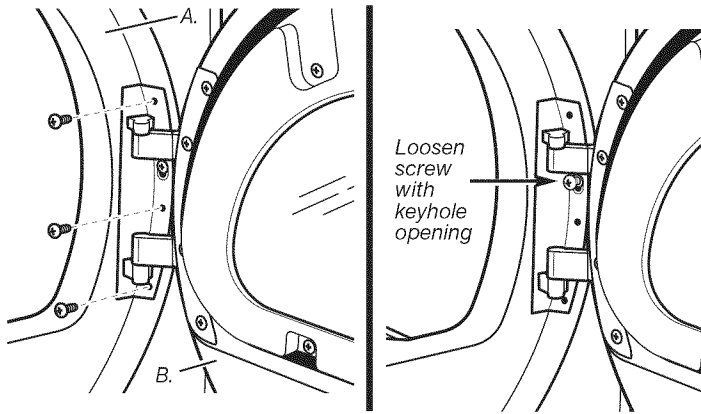
# REVERSING THE DOOR SWING

Door swing can be changed from a right-side opening to left-side opening, if desired.

Place a towel or soft cloth on top of the dryer or work space to avoid damaging the surface.

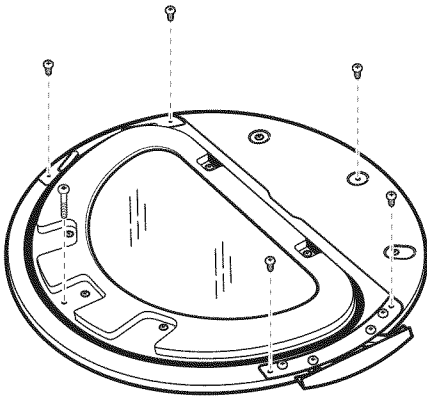
## Remove the Door Assembly

1. Remove 3 of the 4 screws that hold the door hinge on the front panel of the dryer. Partially loosen the remaining screw with keyhole opening and lift the door off the screw.

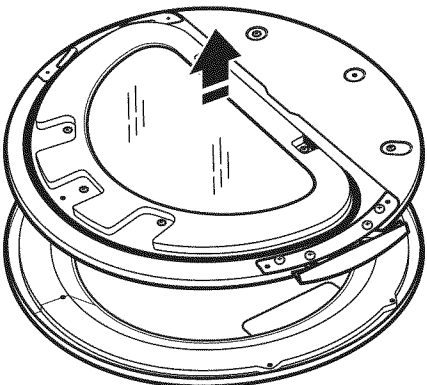


A. Dryer front panel  
B. Door assembly

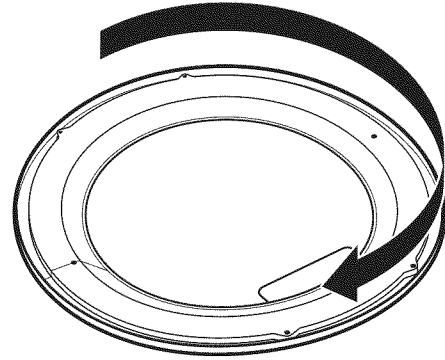
2. Lay the door assembly on a previously prepared flat surface with the inside (inner door assembly) facing up.
3. Remove the 6 Phillips-head screws to release the outer door assembly from the inner door assembly, as indicated below. See illustration. It is important that you remove only the 6 indicated screws.



4. Lift the inner door assembly off the outer door assembly.

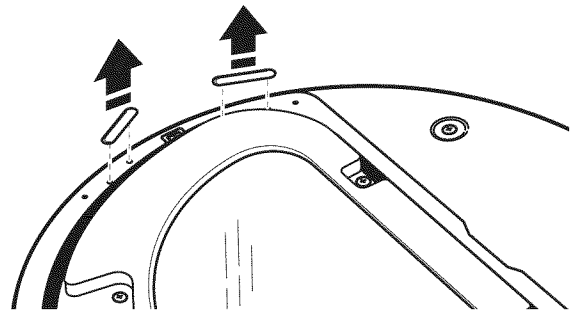


5. Rotate outer door 180°.

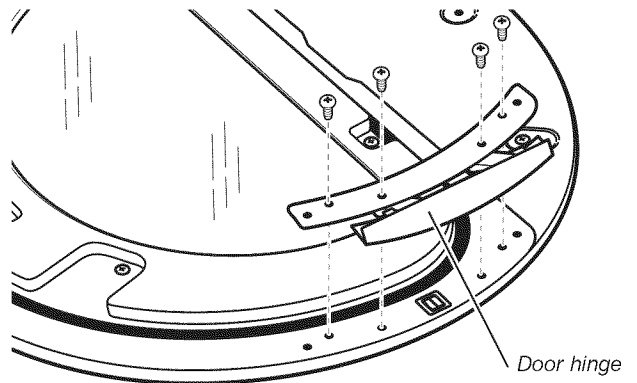


## Reverse Hinge

1. Use a small flat-blade screwdriver to remove 2 plug strips from the inner door. Slide the head of the screwdriver under the plugs, being certain not to scratch the inner door surface. Lift up.

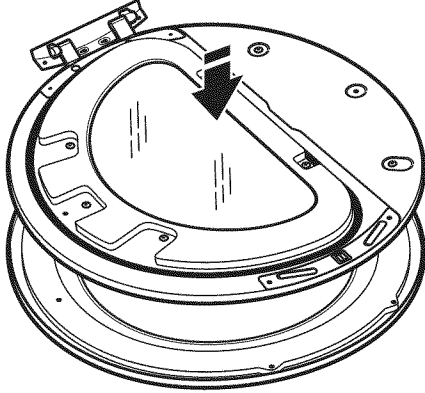


2. Remove the 4 screws that attach to the inner door hinge and move the hinge to the other side. Reinstall the 4 screws.

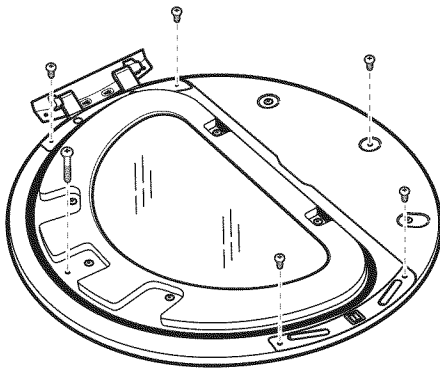


3. Reinstall plug strips on opposite side of the inner door.
4. Check for fingerprints on the glass. Clean glass if necessary.

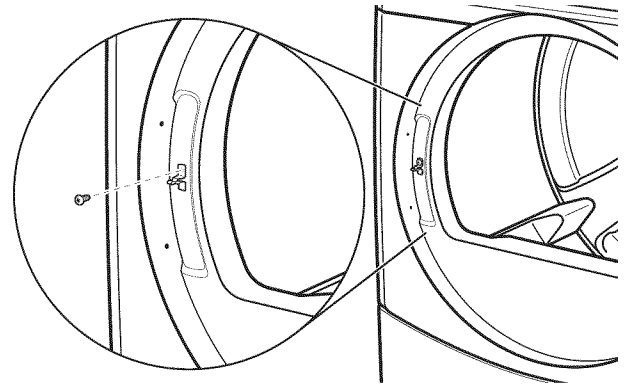
- Place the inner door assembly inside the outer door assembly. To fit correctly, the inner door assembly edge fits completely inside the outer door assembly edge.



- Reassemble the inner and outer door assemblies with the 6 screws.



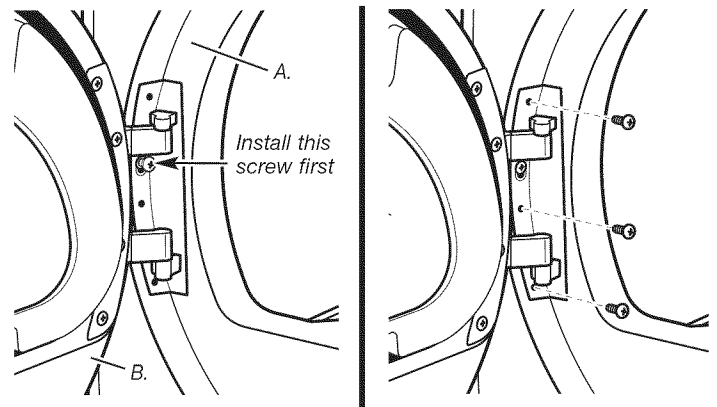
- Remove the strike using a Phillips screwdriver.



- Insert strike on the opposite side.

### Reinstall the door

- Reattach door to dryer front panel with the 4 screws. Partially install the screw with keyhole opening first, and fit the keyhole opening in the hinge over the screw. Then install the remaining 3 screws and tighten all 4 screws.

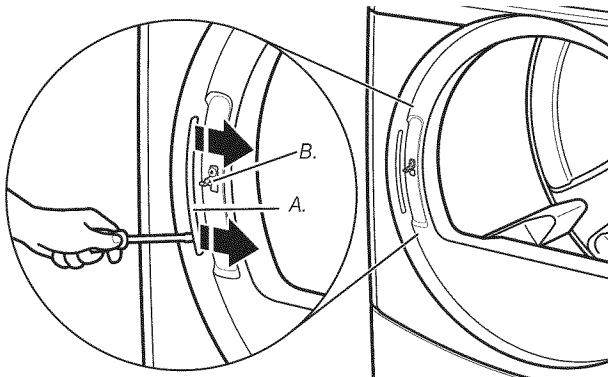


A. Dryer front panel  
B. Door assembly

- Check for fingerprints on the glass. Clean glass if necessary.
- Close door and check that it latches securely.

### Reverse the strike

- Use a small flat-blade screwdriver to remove plug strip from the dryer door opening. Slide the head of the screwdriver under the plugs, being certain not to scratch the dryer surface. Lift the plastic strip from the dryer slowly to avoid distortion of the plug strip.



A. Plug strip  
B. Door strike

# ELECTRONIC CONTROL SETUP

## ⚠ WARNING



**Electric Shock Hazard**  
**Disconnect power before servicing.**  
**Replace all parts and panels before operating.**  
**Failure to do so can result in death or electrical shock.**

### IMPORTANT

#### Electrostatic Discharge (ESD) Sensitive Electronics

ESD is present everywhere. ESD may damage or weaken the electronic control assembly. The new control assembly may appear to work well after repair is finished, but failure may occur at a later date due to ESD stress.

- Use an anti-static wrist strap. Connect wrist strap to green earth connection point or unpainted metal in the appliance.

-OR-

Touch your finger repeatedly to a green earth connection point or unpainted metal in the appliance.

- Before removing the part from its package, touch the anti-static bag to a green earth connection point or unpainted metal in the appliance.
- Avoid touching electronic parts or terminal contacts; handle electronic control assembly by edges only.
- When repackaging failed electronic control assembly in anti-static bag, observe above instructions.

## GENERAL USER INFORMATION

### “out of order” showing in display

This condition indicates the dryer is inoperative. Diagnostic or failure code will follow the scrolling message.

### “0 Minutes” showing in display

This condition indicates the dryer cannot be operated. Coins dropped or debit inputs during this condition will be stored in escrow but cannot be used until normal operation is restored by opening and closing the door. If a door switch fails, it must be replaced before normal operation can be restored.

### Cold Start (initial first use)

Dryer is programmed at the factory as follows:

- 45 minutes dry time for PN models; 5 minutes per coin for PD models.
- 1.50 dry price (fixed cycle with top off – PD Models).
- 0.00 dry price (fixed cycle – PN Models).

### Warm Start (after power failure)

A few seconds after power is restored, if a cycle was in progress at the time of the power failure, “RESELECT CYCLE” will flash in the display. This is to indicate the need for a fabric setting button to be pressed to restart dryer.

## Pricing

After the door is opened and closed following the completion of a cycle, the display indicates the cycle price (unless set for free operation). As coins or debit inputs arrive, the display will change to lead the user through the initiation of a cycle.

There are four (4) types of pricing:

### Fixed “Vend” Pricing

A dryer set up for “Fixed Cycle” operation can only accept additional time accumulated by increments equal to the length of a complete dry cycle. A maximum of 99 minutes may be purchased; no additional credit is given when 99 minutes is in the display.

### Accumulator Pricing

If the price is set to one coin 1, then accumulator mode is in effect. Cycle time can be purchased one coin at a time (PD models) up to the maximum time of 99 minutes.

### Fixed Cycle With Top Off Pricing

A dryer set to offer “Top Off” capability will allow time to be added to an existing dry cycle in increments equal to the number of minutes of dry time per coin (coin 1), up to 99 minutes, regardless of the cost required to start the dryer. No credit is given for coins or debit inputs entered when the control is displaying 99 minutes.

PN Models Set Up As PR: In Enhanced Debit Mode, the top off price can be set independently (see VALUE OF COIN 2), and the top off time is calculated according to the following equation:

$$\frac{\text{top off price}}{\text{full cycle price}} = \frac{\text{top off time}}{\text{full cycle length}}$$

Hundredth increment offset is not applied to top off purchases.

### PN Models

The factory has preset the cycle price to zero. When this happens, “SELECT CYCLE” will appear rather than a cycle price. Any cycle started as a free cycle will automatically terminate when the door is opened.

### Debit Card Ready

This dryer has a control that is debit card ready, but the dryer is not.

## CONTROL SET-UP PROCEDURES

**IMPORTANT:** Read all instructions before operating.

The fabric setting buttons along with the digital display are used to set up the dryer controls.

The display can contain 4 numbers and/or letters and a decimal point. These are used to indicate the set-up codes and related code values available for use in programming the dryer.

### How to use the buttons to program the controls

1. The WHITES AND COLORS button is used to adjust the values associated with set-up codes. Pressing the button will increment the value by one (1). Rapid adjustment is possible by holding down the button.
2. The PERM. PRESS button advances the display through the set-up codes. Pressing the button will advance the display to the next available set-up code. Holding down the button will automatically advance through the set-up codes at a rate of one (1) per second.
3. The DELICATES button is used to select or deselect options.

### Start Operating Set-Up

- PD Models: Insert service door key, turn, and lift to remove access door.
- PN Models: Remove the AA1 jumper from the control board (see procedure below) or use the Service Access Code below. Once the debit card reader is installed (according to the reader manufacturer's instructions), the set-up mode can be entered by inserting a manual set-up card (supplied by the reader manufacturer) into the card slot. If manual set-up card is not available, manual set-up mode cannot be entered. However, diagnostic mode can be entered by removing connector AA1 on the circuit board.

**IMPORTANT:** The console must not be opened unless power is first removed from the dryer. To access connector AA1:

- Unplug dryer or disconnect power.
- Open console, disconnect plug on AA1, close console.
- Plug in dryer or reconnect power.

- PN Models Equipped with Programming Switch: Insert access panel key and turn counterclockwise.
- PN Models with Gen. 2 Debit Card Reader: Once a Gen. 2 debit card reader is installed (according to the reader manufacturer's instructions), the set-up mode can only be entered by inserting a manual set-up card (supplied by the reader manufacturer) into the card slot.  
If manual set-up card is not available, only diagnostic mode can be entered.

- Alternate method of entering Set-up Mode by entering **Service Access Code:** This code can be entered to access set-up mode without removing the console on dryers just removed from the carton, or not yet programmed. The Service Access Code only functions on dryers set up for 0 vend price without any Special Pricing setup, and the Coin/Debit Option must be set to "J..d". If the dryer is not in failure mode, the door must be opened to proceed. Using only the three bottom buttons (numbered 1, 2, and 3 from left to right):

1. Press 2 for longer than 2 seconds but less than 10 seconds.
2. Press 1 & 3 simultaneously for 2 seconds. Display shows S 3.
3. Press 1 & 2 simultaneously. Display shows S 4.
4. Press 2 & 3 simultaneously. Display shows S 5.
5. Press 2.
6. Wait at least 2 seconds, but not more than 15 seconds, then press in succession: 3, 2, 1, 3.

The dryer is now in the set-up mode.

Before proceeding, it is worth noting that, despite all the options available, an owner can simply choose to uncrate a new commercial dryer, hook it up, plug it in, and have a dryer that operates. **NOTE:** PD models require a payment system or OPL kit to be installed prior to operation.

- PD dryers are pre-set at the factory for fixed cycle price with top off.
- PN dryers are pre-set for fixed cycle operation, and they can be run without payment.

## DISPLAY

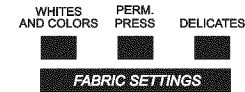
After the dryer has been installed and plugged in, the display will show "0 minutes."

Once the dryer has been plugged in and the dryer door opened and closed, the display will show the vend price. PN models are factory preset for free cycles; the display will flash "SELECT CYCLE."

### PD Models



### PN Models



## SET-UP CODES

FOR PN MODELS: The set-up codes are the same as for the PD models except where noted.

The set-up code is indicated by the one or two left-hand characters. The set-up code value is indicated by the two or three right-hand characters.

**NOTE:** The first line of each code indicates the factory default.

| CODE        | EXPLANATION   |
|-------------|---|
| <u>5.05</u> | <b>REGULAR CYCLE PRICE</b>  |
| <u>6.05</u> | Represents the number of coins (coin 1); may adjust from 0–39 (See b.xx set-up for VALUE OF COIN 1). Advance from 0–39 by pressing WHITES AND COLORS. Factory default of 6 x coin 1.                                      |
| <u>5.00</u> | PN MODELS ONLY: Factory default of 6 00, or 0 coins.<br>→ Press PERM. PRESS button once to advance to next code.  |
| <u>7.05</u> | <b>REGULAR DRY TIME</b>   |
| <u>7.05</u> | Represents the number of minutes per coin (coin 1).<br>Factory default of 5 minutes per coin.<br>Example: 6 coins x 5 minutes = 30 minutes.<br>By pressing the WHITES AND COLORS button, value adjusts from 1–99 minutes. |
| <u>7.45</u> | PN MODELS: Represents the cycle length for free cycles.<br>As example: "7 45" = 45 minutes.<br>→ Press PERM. PRESS button once to advance to next code.   |
| <u>8.00</u> | <b>TYPE OF DRYER PRICING</b>  |
| <u>8.00</u> | Fixed Cycle with Top Off. For detailed description, see General User Information.   |
| <u>8.FC</u> | Fixed Cycle. For detailed description, see General User Information.<br>Use DELICATES button to make this selection.<br>PN MODELS: Factory default of FC.<br>→ Press PERM. PRESS button once to advance to next code.     |
| <u>9.00</u> | <b>CYCLE COUNTER OPTION</b>   |
| <u>9.00</u> | This option is either SELECTED "ON" or NOT SELECTED "OFF."<br>Not Selected "OFF."   |
| <u>9.0C</u> | Selected "ON" and not able to be deselected. Press DELICATES button 3 consecutive times to select "ON." Once selected "ON" it cannot be deselected.<br>→ Press PERM. PRESS button once to advance to next code.           |

| CODE        | EXPLANATION   |
|-------------|---|
| <u>1.00</u> | <b>MONEY COUNTER OPTION</b><br>This option is either SELECTED "ON" or NOT SELECTED "OFF."   |
| <u>1.00</u> | Not Selected "OFF."   |
| <u>1.00</u> | Selected "ON."<br>Press DELICATES button 3 consecutive times to select "ON" and 3 consecutive times to remove (Not Selected "OFF"). Counter resets by going from "OFF" to "ON."   |
| <u>1.00</u> | Selected "ON" and not able to be deselected.<br>To select "ON" and not able to be deselected, first select "ON," then within two seconds press DELICATES twice, WHITES AND COLORS once, and exit the set-up mode.<br>→ Press PERM. PRESS button once to advance to next code. |
| <u>2.00</u> | <b>SPECIAL PRICING OPTION</b><br>This option is either SELECTED "ON" or NOT SELECTED "OFF."   |
| <u>2.00</u> | Not Selected "OFF."   |
| <u>2.5P</u> | Selected "ON." Press DELICATES button once for this selection.<br><b>If SPECIAL PRICING OPTION is selected, there is access to codes "3." through "9."</b><br>→ Press PERM. PRESS button once to advance to next code.  |

| OPTIONS TO USE IF SPECIAL PRICING IS SELECTED: |   |
|--|---|
| <u>3.06</u>                                    | <b>SPECIAL CYCLE PRICE</b>  |
| <u>3.06</u>                                    | Represents the number of coins (coin 1); may adjust from 0-39. (See b.xx setup for VALUE OF COIN 1). Advance from 0-39 by pressing WHITES AND COLORS. Factory default of 6 x coin 1.  |
| <u>3.00</u>                                    | PN MODELS: Factory default of 0 coins.<br>→ Press PERM. PRESS button once to advance to next code.  |
| <u>4.05</u>                                    | <b>SPECIAL DRY TIME</b>   |
| <u>4.05</u>                                    | Represents the number of minutes per coin (coin 1).<br>Factory default of 5 minutes per coin.<br>Example: 6 coins x 5 minutes = 30 minutes.<br>By pressing the WHITES AND COLORS button, the value can be adjusted from 1-99 minutes. |
| <u>4.45</u>                                    | PN MODELS: Represents the cycle length for free cycles. As example: "4 45" = 45 minutes.<br>→ Press PERM. PRESS button once to advance to next code.  |
| <u>5.00</u>                                    | <b>TIME-OF-DAY CLOCK, MINUTES</b>   |
| <u>5.00</u>                                    | This is the TIME-OF-DAY CLOCK, minute setting; select 0-59 minutes by pressing WHITES AND COLORS button.<br>→ Press PERM. PRESS button once to advance to next code.  |
| <u>6.00</u>                                    | <b>TIME-OF-DAY CLOCK, HOURS</b><br><b>NOTE:</b> Uses the 24 hr. clock.  |
| <u>6.00</u>                                    | This is the TIME-OF-DAY CLOCK, hour setting; select 0-23 hours by pressing WHITES AND COLORS button.<br>→ Press PERM. PRESS button once to advance to next code.  |

| CODE  | EXPLANATION   |                 |             |                 |    |                |    |    |                |    |    |                 |    |    |                   |    |    |                  |    |    |                |    |    |                  |    |
|---|---|-----------------|-------------|-----------------|----|----------------|----|----|----------------|----|----|-----------------|----|----|-------------------|----|----|------------------|----|----|----------------|----|----|------------------|----|
| <b>OPTIONS TO USE IF SPECIAL PRICING IS SELECTED (continued):</b> |   |                 |             |                 |    |                |    |    |                |    |    |                 |    |    |                   |    |    |                  |    |    |                |    |    |                  |    |
| <u>7.00</u>   | <b>SPECIAL PRICE START HOUR</b><br><b>NOTE:</b> Uses the 24 hr. clock.  |                 |             |                 |    |                |    |    |                |    |    |                 |    |    |                   |    |    |                  |    |    |                |    |    |                  |    |
| <u>7.00</u>   | This is the start hour, 0-23 hours. Select START HOUR by pressing WHITES AND COLORS button.<br>→ Press PERM. PRESS button once to advance to next code.   |                 |             |                 |    |                |    |    |                |    |    |                 |    |    |                   |    |    |                  |    |    |                |    |    |                  |    |
| <u>8.00</u>   | <b>SPECIAL PRICE STOP HOUR</b><br><b>NOTE:</b> Uses the 24 hr. clock.   |                 |             |                 |    |                |    |    |                |    |    |                 |    |    |                   |    |    |                  |    |    |                |    |    |                  |    |
| <u>8.00</u>   | This is the stop hour; 0-23 hours. Select STOP HOUR by pressing WHITES AND COLORS button.<br>→ Press PERM. PRESS button once to advance to next code.   |                 |             |                 |    |                |    |    |                |    |    |                 |    |    |                   |    |    |                  |    |    |                |    |    |                  |    |
| <u>9.10</u>   | <b>SPECIAL PRICE DAY</b>  |                 |             |                 |    |                |    |    |                |    |    |                 |    |    |                   |    |    |                  |    |    |                |    |    |                  |    |
| <u>9.10</u>   | This represents the day of the week and whether special pricing is selected for that day. A number followed by "0" indicates no selection that particular day (9.10). A number followed by an "S" indicates selected for that day (9.1S).<br>Days of week (1-7) can be chosen by pressing the WHITES AND COLORS button. Press DELICATES button once to select special pricing for each day chosen.<br>When exiting setup code "9.," the display must show current day of week:<br><table border="1" style="margin-left: 20px;"> <thead> <tr> <th>DISPLAY</th> <th>DAY OF WEEK</th> <th>CODE (selected)</th> </tr> </thead> <tbody> <tr> <td>10</td> <td>Day 1 = Sunday</td> <td>1S</td> </tr> <tr> <td>20</td> <td>Day 2 = Monday</td> <td>2S</td> </tr> <tr> <td>30</td> <td>Day 3 = Tuesday</td> <td>3S</td> </tr> <tr> <td>40</td> <td>Day 4 = Wednesday</td> <td>4S</td> </tr> <tr> <td>50</td> <td>Day 5 = Thursday</td> <td>5S</td> </tr> <tr> <td>60</td> <td>Day 6 = Friday</td> <td>6S</td> </tr> <tr> <td>70</td> <td>Day 7 = Saturday</td> <td>7S</td> </tr> </tbody> </table> | DISPLAY         | DAY OF WEEK | CODE (selected) | 10 | Day 1 = Sunday | 1S | 20 | Day 2 = Monday | 2S | 30 | Day 3 = Tuesday | 3S | 40 | Day 4 = Wednesday | 4S | 50 | Day 5 = Thursday | 5S | 60 | Day 6 = Friday | 6S | 70 | Day 7 = Saturday | 7S |
| DISPLAY   | DAY OF WEEK   | CODE (selected) |             |                 |    |                |    |    |                |    |    |                 |    |    |                   |    |    |                  |    |    |                |    |    |                  |    |
| 10  | Day 1 = Sunday  | 1S              |             |                 |    |                |    |    |                |    |    |                 |    |    |                   |    |    |                  |    |    |                |    |    |                  |    |
| 20  | Day 2 = Monday  | 2S              |             |                 |    |                |    |    |                |    |    |                 |    |    |                   |    |    |                  |    |    |                |    |    |                  |    |
| 30  | Day 3 = Tuesday   | 3S              |             |                 |    |                |    |    |                |    |    |                 |    |    |                   |    |    |                  |    |    |                |    |    |                  |    |
| 40  | Day 4 = Wednesday   | 4S              |             |                 |    |                |    |    |                |    |    |                 |    |    |                   |    |    |                  |    |    |                |    |    |                  |    |
| 50  | Day 5 = Thursday  | 5S              |             |                 |    |                |    |    |                |    |    |                 |    |    |                   |    |    |                  |    |    |                |    |    |                  |    |
| 60  | Day 6 = Friday  | 6S              |             |                 |    |                |    |    |                |    |    |                 |    |    |                   |    |    |                  |    |    |                |    |    |                  |    |
| 70  | Day 7 = Saturday  | 7S              |             |                 |    |                |    |    |                |    |    |                 |    |    |                   |    |    |                  |    |    |                |    |    |                  |    |
| → Press PERM. PRESS button once to advance to next code.          |   |                 |             |                 |    |                |    |    |                |    |    |                 |    |    |                   |    |    |                  |    |    |                |    |    |                  |    |

|             |  |
|-------------|--|
| <u>8.00</u> | <b>VAULT VIEWING OPTION</b><br>This option is either SELECTED "ON" or NOT SELECTED "OFF."  |
| <u>8.00</u> | Not Selected "OFF."  |
| <u>8.50</u> | Selected "ON." Press DELICATES button once for this selection. When selected, the money and/or cycle counts will be viewable (if counting is selected) when the coin box is removed.<br>→ Press PERM. PRESS button once to advance to next code.   |
| <u>6.05</u> | <b>VALUE OF COIN 1</b>   |
| <u>6.05</u> | This represents the value of coin 1 in the quantity of 5% increments of the larger coin value. 5 x 5% = 25%.<br>By pressing the WHITES AND COLORS button, there is the option of 1-199 for the quantity of 5% increments.<br>With coin slide activation, this represents the total vend price.<br>→ Press PERM. PRESS button once to advance to next code.   |
| <u>0.20</u> | <b>VALUE OF COIN 2</b>   |
| <u>0.20</u> | This represents the value of coin 2 in the quantity of 5% increments of the larger coin value. 20 x 5% = 100%.<br>By pressing the WHITES AND COLORS button, there is the option of 1-199 for the quantity of 5% increments.  |
| <u>0.05</u> | PN MODELS: This represents the value of coin 2 in the quantity of 5% increments of the larger coin value. Factory default = 5 x 5% of the larger coin value.<br>PN MODELS USING ENHANCED DEBIT: This represents the value of top off in quantity of 5% increments of the larger coin value. Factory default = 5 x 5% of the larger coin value.<br>→ Press PERM. PRESS button once to advance to next code. |

| CODE        | EXPLANATION   |
|-------------|---|
| <u>d.00</u> | <b>COIN SLIDE OPTION</b><br>This option is either SELECTED "ON" or NOT SELECTED "OFF."<br>Replacement of metercase will be needed for coin slide mounting.  |
| <u>d.00</u> | Not Selected "OFF."   |
| <u>d.CS</u> | Selected "ON."<br><b>NOTE:</b> This option needs to be set to "00" unless the metercase has been changed to accept a coin slide device.<br>Press DELICATES button 3 consecutive times for this selection. When coin slide mode is selected, set "b." equal to value of slide in coins. Set "6 xx" (REGULAR CYCLE PRICE) and "3.xx" (SPECIAL CYCLE PRICE) to number of slide operations. 6 01 & 3.01 = 1 slide push.<br><b>NOTE:</b> If the installer sets up "CS" on a coin drop model, it will not register coins.<br>→ Press PERM. PRESS button once to advance to next code. |
| <u>E.00</u> | <b>ADD COINS OPTION</b><br>This option is either SELECTED "ON" or NOT SELECTED "OFF."<br>This option causes the customer display to show the number of coins (coin 1) to enter, rather than the amount.   |
| <u>E.00</u> | Not Selected "OFF."   |
| <u>E.AC</u> | Selected "ON."<br>Press DELICATES button 3 consecutive times for this selection.<br>PN MODELS: This option is not selectable.<br>→ Press PERM. PRESS button once to advance to next code.   |
| <u>J.Cd</u> | <b>COIN/DEBIT OPTION</b>  |
| <u>J.Cd</u> | Both coin and debit selected. (NOT AVAILABLE)   |
| <u>J.C_</u> | Coins selected, debit disabled.<br>Press DELICATES button 3 consecutive times for this selection.   |
| <u>J._d</u> | Debit Card selected, coin disabled. Default for PN models, and for PN operation, must be set as J._d.<br>Press DELICATES button 3 consecutive times for this selection.   |
| <u>J.Ed</u> | Enhanced Debit is self-selected when a Generation 2 card reader is installed in the dryer. The "Ed" option cannot be manually selected or deselected. (NOT AVAILABLE)<br>→ Press PERM. PRESS button once to advance to next code.   |
| <u>L.00</u> | <b>PRICE SUPPRESSION OPTION</b><br>This option is either SELECTED "ON" OR NOT SELECTED "OFF." This option causes the customer display to show "AVAILABLE" or "ADD" rather than the amount of money to add. (Used mainly in debit installations.)  |
| <u>L.00</u> | Not Selected "OFF."   |
| <u>L.PS</u> | Selected "ON." Press DELICATES button once for this selection.<br>→ Press PERM. PRESS button once to advance to next code.  |
| <u>n.CE</u> | <b>CLEAR ESCROW OPTION</b><br>This option is either SELECTED "ON" OR NOT SELECTED "OFF." When selected, money held in escrow for 30 minutes without further escrow or cycle activity will be cleared.   |
| <u>n.CE</u> | Selected "ON."  |
| <u>n.00</u> | Not Selected "OFF." Press DELICATES button once to deselect this option.<br>→ Press PERM. PRESS button once to advance to next code.  |
| <u>U.00</u> | <b>HUNDREDTH INCREMENT OFFSET</b>   |
| <u>U.00</u> | This represents the hundredth increment price offset used in Generation 2 (Enhanced Debit) PN models set up with card reader. Choose from 0–4 hundredths by pressing the WHITES AND COLORS button. (NOT AVAILABLE)<br>→ Press PERM. PRESS button once to advance to next code.  |

### If cycle counter (9 0C) is selected, the following is true:

1 00 Represents the number of cycles in HUNDREDS.  $1 \underline{02} = 200$   
 2 00 Represents the number of cycles in ONES.  $2 \underline{25} = 25$   
 TOTAL CYCLES = 225

This is "VIEW ONLY" and cannot be cleared.

Press the PERM. PRESS button once to advance to next code.

### If money counter (1.0C or 1.C0) is selected, the following is true:

3 00 Currency amount in HUNDREDS.  $3 \underline{01} = 100.00$   
 4 00 Currency amount in ONES.  $4 \underline{68} = 68.00$   
 5 00 Currency amount in HUNDREDTHS.  $5 \underline{75} = 00.75$   
 TOTAL = 168.75

## END OF SET-UP PROCEDURES

### EXIT FROM SET-UP MODE

- PD MODELS: Reinstall access door.
- PN MODELS where AA1 plug was removed:
  1. Unplug dryer or disconnect power.
  2. Open console, reinsert jumper into AA1, close console.
  3. Plug in dryer or reconnect power.
- PN WITH PROGRAMMING SWITCH: Turn key clockwise and remove.
- If Service Access Code was used to enter set-up mode: From Set-up Code 8, press button #1 for 4 seconds, wait 2 minutes without touching any buttons (without diagnostic modes running), or power down the dryer, then reapply power.



### EU - DECLARATION OF CONFORMITY CE - DECLARATION DE CONFORMITE

WE (nous): BAUKNECHT HAUSGERÄTE GmbH, D-73614 Schorndorf  
 representing (représentant): WHIRLPOOL EUROPE S.r.l I-21025 COMERIO

declare under our sole responsibility that the product  
 déclarons sous notre propre responsabilité que le produit

dryer **Maytag MDG25PD**  
 (sèche linge) **Maytag MDG25PN**

to which this declaration relates is in conformity with the following standard(s) or other normative document(s)  
 auquel se réfère cette déclaration est conforme aux normes suivantes ou autres documents normatifs

EN 60335-1:2002+A1+A2+A11+A12+A13+A14  
 EN 60335-2-11:2003+A1+A2+A11  
 EN 12752-1:1999  
 EN 62233:2008  
 EN ISO 10472-1:2008  
 EN ISO 10472-2:2008  
 EN 55014-1:2006+A1 :2009  
 EN 55014-2:1997+Corrigendum :1997+A1 :2001+A2 :2008  
 EN 61000-3-12:2005  
 EN 61000-3-11:2000

following the provisions of Directive(s)  
 suivant les provisions des Directives:

2006/42/EC MACHINERY DIRECTIVE (CEE Directive Machine)  
 2009/142/EC EUROPEAN GAS APPLIANCE DIRECTIVE  
 2004/108/EC ELECTROMAGNETIC COMPATIBILITY DIRECTIVE (CEE Directive Compatibilité Electro-magnétique)  
 2002/95/EC ROHS DIRECTIVE (CEE Directive RoHS)  
 2002/96/EC WEEE DIRECTIVE (CEE Directive WEEE)

Schorndorf, 18.10.2011  
 Place and date:  
 lieu et date

represented by  
**Franz Hartmann** **Karl-Dieter Klingenstein**  
 Director PDC FC EMEA Product Approval  
 GPO, Schorndorf



---

# MAYTAG® COMMERCIAL WASHER, DRYER, STACKED DRYER/ DRYER, COMMERCIAL STACK LAUNDRY, AND MULTI-LOAD COIN OPERATED COMMERCIAL WASHERS AND DRYERS WARRANTY

---

## LIMITED WARRANTY ON PARTS

For the first five years from the date of purchase, when this commercial appliance is installed, maintained and operated according to the instructions attached to or furnished with the product, Maytag brand of Whirlpool Corporation (hereafter "Maytag") will pay for factory specified parts or original equipment manufacturer parts to correct defects in materials or workmanship. Proof of original purchase date is required to obtain service under this warranty.

---

## ITEMS MAYTAG WILL NOT PAY FOR

1. All other costs including labor, transportation, or custom duties.
  2. Service calls to correct the installation of your commercial appliance, to instruct you how to use your commercial appliance, to replace or repair fuses, or to correct external wiring or plumbing.
  3. Repairs when your commercial appliance is used for other than normal, commercial use.
  4. Damage resulting from improper handling of product during delivery, theft, accident, alteration, misuse, abuse, fire, flood, acts of God, improper installation, installation not in accordance with local electrical or plumbing codes, or use of products not approved by Maytag.
  5. Pickup and Delivery. This commercial appliance is designed to be repaired on location.
  6. Repairs to parts or systems resulting from unauthorized modifications made to the commercial appliance.
  7. The removal and reinstallation of your commercial appliance if it is installed in an inaccessible location or is not installed in accordance with published installation instructions.
  8. Chemical damage is excluded from all warranty coverage.
  9. Changes to the building, room, or location needed in order to make the commercial appliance operate correctly.
  10. Repairs made by a Non-Whirlpool authorized Service Technician.
- 

## DISCLAIMER OF IMPLIED WARRANTIES; LIMITATIONS OF REMEDIES

CUSTOMER'S SOLE AND EXCLUSIVE REMEDY UNDER THIS LIMITED WARRANTY SHALL BE PRODUCT REPAIR AS PROVIDED HEREIN. IMPLIED WARRANTIES, INCLUDING WARRANTIES OF MERCHANTABILITY OR FITNESS FOR A PARTICULAR PURPOSE, ARE LIMITED TO ONE YEAR OR THE SHORTEST PERIOD ALLOWED BY LAW. WHIRLPOOL SHALL NOT BE LIABLE FOR INCIDENTAL OR CONSEQUENTIAL DAMAGES. SOME STATES AND PROVINCES DO NOT ALLOW THE EXCLUSION OR LIMITATION OF INCIDENTAL OR CONSEQUENTIAL DAMAGES, OR LIMITATIONS ON THE DURATION OF IMPLIED WARRANTIES OF MERCHANTABILITY OR FITNESS, SO THESE EXCLUSIONS OR LIMITATIONS MAY NOT APPLY TO YOU. THIS WARRANTY GIVES YOU SPECIFIC LEGAL RIGHTS AND YOU MAY ALSO HAVE OTHER RIGHTS, WHICH VARY FROM STATE TO STATE OR PROVINCE TO PROVINCE.

---

If you need service, please contact your authorized Maytag® Commercial Laundry distributor. To locate your authorized Maytag® Commercial Laundry distributor, or for web inquiries, visit [www.MaytagCommercialLaundry.com](http://www.MaytagCommercialLaundry.com).

1/11

For written correspondence:

Maytag® Commercial Laundry Service Department  
2000 M-63 North  
Benton Harbor, Michigan 49022 USA

# SECURITE DU SECHE-LINGE

## Votre sécurité et celle des autres est très importante.

Nous donnons de nombreux messages de sécurité importants dans ce manuel et sur votre appareil ménager. Assurez-vous de toujours lire tous les messages de sécurité et de vous y conformer.



Voici le symbole d'alerte de sécurité.

Ce symbole d'alerte de sécurité vous signale les dangers potentiels de décès et de blessures graves à vous et à d'autres.

Tous les messages de sécurité suivront le symbole d'alerte de sécurité et le mot "DANGER" ou "AVERTISSEMENT". Ces mots signifient :

**⚠ DANGER**

Risque possible de décès ou de blessure grave si vous ne suivez pas immédiatement les instructions.

**⚠ AVERTISSEMENT**

Risque possible de décès ou de blessure grave si vous ne suivez pas les instructions.

Tous les messages de sécurité vous diront quel est le danger potentiel et vous disent comment réduire le risque de blessure et ce qui peut se produire en cas de non-respect des instructions.

## POUR VOTRE SECURITE

1. NE PAS UTILISER OU REMISER D'ESSENCE OU AUTRES MATÉRIAUX INFLAMMABLES DANS CET APPAREIL MÉNAGER OU À PROXIMITÉ DE CELUI-CI.
2. NE PAS VAPORISER D'AÉROSOLS À PROXIMITÉ DE CET APPAREIL MÉNAGER LORSQU'IL EST EN FONCTIONNEMENT.
3. NE PAS MODIFIER CET APPAREIL MÉNAGER.

**AVERTISSEMENT : Pour votre sécurité, les renseignements dans ce manuel doivent être observés pour réduire au minimum les risques d'incendie ou d'explosion ou pour éviter des dommages au produit, des blessures ou un décès.**

- Ne pas entreposer ou utiliser de l'essence ou d'autres vapeurs ou liquides inflammables à proximité de cet appareil ou de tout autre appareil électroménager.
- QUE FAIRE DANS LE CAS D'UNE ODEUR DE GAZ :
  - Ne pas tenter d'allumer un appareil.
  - Ne pas toucher à un commutateur électrique; ne pas utiliser le téléphone se trouvant sur les lieux.
  - Évacuer tous les gens de la pièce, de l'édifice ou du quartier.
  - Appeler immédiatement le fournisseur de gaz d'un téléphone voisin. Suivre ses instructions.
  - À défaut de joindre votre fournisseur de gaz, appeler les pompiers.
- L'installation et l'entretien doivent être effectués par un installateur qualifié, une agence de service ou le fournisseur de gaz.

## Nomenclature des modèles

**MDG** Sèche-linge Maytag gaz

**PN** Module de commande électronique sans paiement

**##(p. ex. 25)** Numéro de type du modèle

**PD** Module de commande électronique avec chute de pièce activé

# ELIMINATION DU SECHE-LINGE



Le marquage de l'appareil est conforme à la directive européenne 2002/ 96/ EC sur les équipements électroniques et électriques, pour gestion des déchets.

En veillant à l'élimination correcte de ce produit, vous éviterez d'éventuelles conséquences néfastes pour l'environnement et la santé humaine qui peuvent être associées au traitement inapproprié de ce produit lorsqu'il a été mis au rebut.

Le symbole figurant sur le produit ou dans les documents qui accompagnent le produit indique que cet appareil ne doit pas être traité comme déchet ménager; on doit plutôt le remettre à un centre de collecte spécialisé pour le recyclage des équipements électriques et électroniques.

L'élimination de ce produit après mise au rebut doit être effectuée conformément aux prescriptions de la réglementation locale de protection de l'environnement.

Pour l'information détaillée concernant le traitement, le recyclage et la récupération de ce produit, contacter la municipalité locale, le service d'élimination des déchets ménagers, ou le commerçant qui a vendu le produit.

## EXIGENCES D'INSTALLATION

### Outillage et pièces

Rassembler les outils et pièces nécessaires avant de commencer l'installation. Lire et respecter les instructions d'installation fournies avec chacun des outils de cette liste.

#### Outillage nécessaire

- Clé à tube de 200 mm (8") ou 250 mm (10")
- Clé à molette de 200 mm (8") ou 250 mm (10")
- Tournevis à lame plate
- Tournevis Phillips
- Clé à molette avec ouverture jusqu'à 25 mm (1") ou clé à douille hexagonale
- Niveau
- Clé à douille de 8 mm (5/16")
- Couteau utilitaire
- Brides de fixation
- Composé d'étanchéité des raccords filetés - résistant au propane
- Pistolet à calfeutrage et composé de calfeutrage (pour l'installation d'un nouveau circuit d'évacuation)
- Pince
- Couteau à mastic à lame rigide

#### Pièces fournies

Retirer le sac de pièces du tambour du sèche-linge. Vérifier la présence de toutes les pièces.

- Patin (4)
- Pied du sèche-linge (4)
- Modèles PD : Came pour le verrouillage de la porte de service
- Modèles PN : Boîtier du lecteur de carte, faisceau de câblage du lecteur de carte, visserie

**REMARQUE :** Le schéma de circuits de ce sèche-linge se trouve à l'intérieur du panneau inférieur avant, dans les fiches techniques.

## Exigences d'emplacement

### ⚠ AVERTISSEMENT



#### Risque d'explosion

Garder les matières et les vapeurs inflammables, telle que l'essence, loin de la sècheuse.

Ne pas installer dans un garage.

Le non-respect de ces instructions peut causer un décès, une explosion ou un incendie.

#### Pour l'installation d'un sèche-linge à gaz :

**IMPORTANT :** Respecter les dispositions de tous les codes et règlements en vigueur.

- Déterminer les exigences des codes : Certains codes limitent ou prohibent l'installation d'un sèche-linge dans un garage, un placard, ou une chambre à coucher. Consulter l'inspecteur local des bâtiments.

- Veiller à ce que les bords inférieurs de la caisse ainsi que l'arrière et les côtés inférieurs du sèche-linge soient exempts d'obstructions, afin de permettre le passage adéquat de l'air de combustion. Voir la section "Instructions d'installation dans un placard ou un encastrement" pour l'espace de dégagement minimal.

- Ne pas installer sur un tapis.

**NOTE :** Le sèche-linge ne doit pas être installé en un endroit où il serait exposé à de l'eau ou aux intempéries.

### Instructions pour l'installation dans un placard ou un encastrement

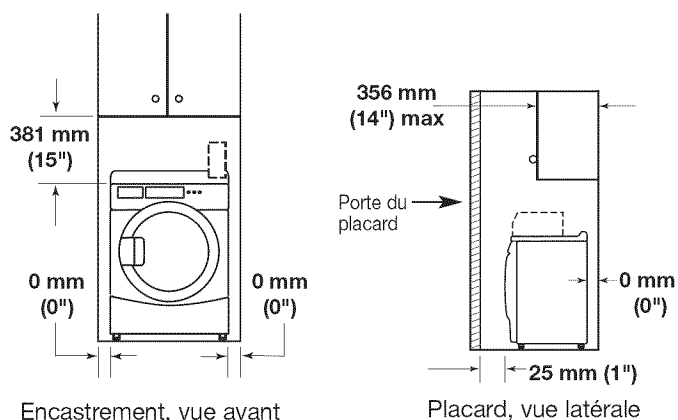
Ce sèche-linge peut être installé dans un placard ou un encastrement. Ce sèche-linge ne doit pas être installé derrière une porte verrouillable, coulissante, ou une porte avec charnière du côté opposé de l'emplacement de celle du sèche-linge.

Les distances de séparation sont exprimées en millimètre; il s'agit des distances minimales. Il est utile de prévoir des distances de séparation supérieures pour faciliter l'installation et les travaux d'entretien, ou si ceci est exigé par les codes et règlements locaux.

Si la porte du placard est installée, on doit respecter la taille minimale des ouvertures d'entrée d'air au sommet et en bas. On peut utiliser une porte à jalousies offrant une surface de passage d'air équivalente.

Le circuit d'évacuation du sèche-linge doit être relié à l'extérieur. Aucun autre appareil utilisant un combustible ne doit être installé dans le même placard.

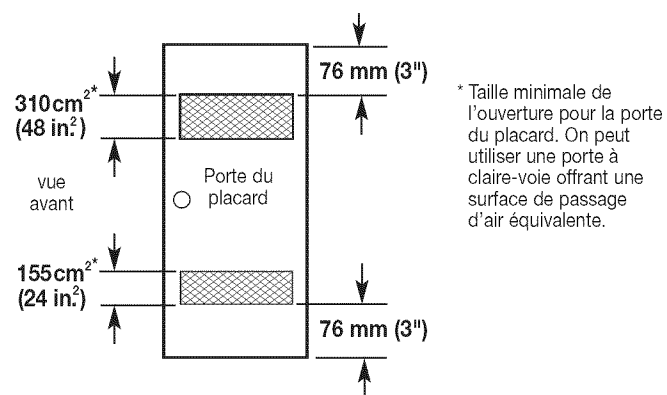
### Distances de séparation minimales



Encastrement, vue avant

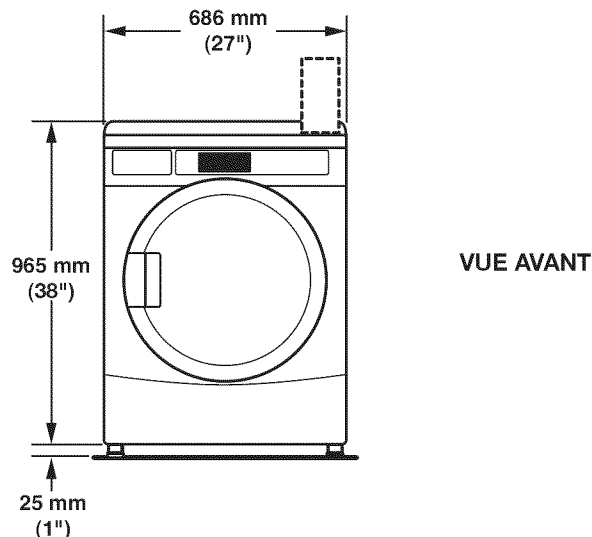
Placard, vue latérale

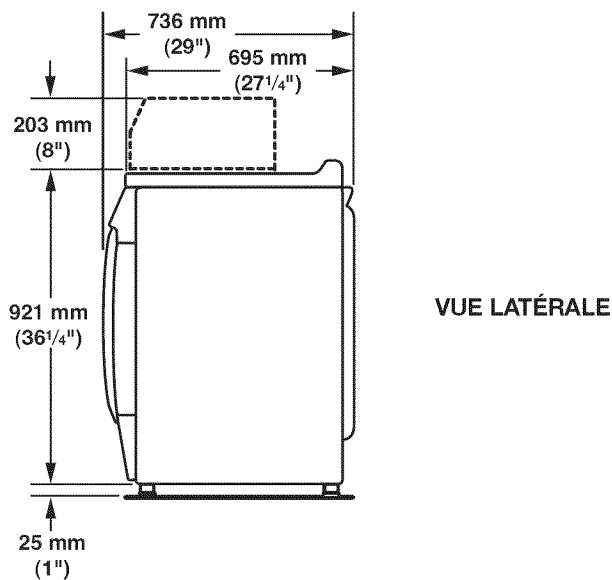
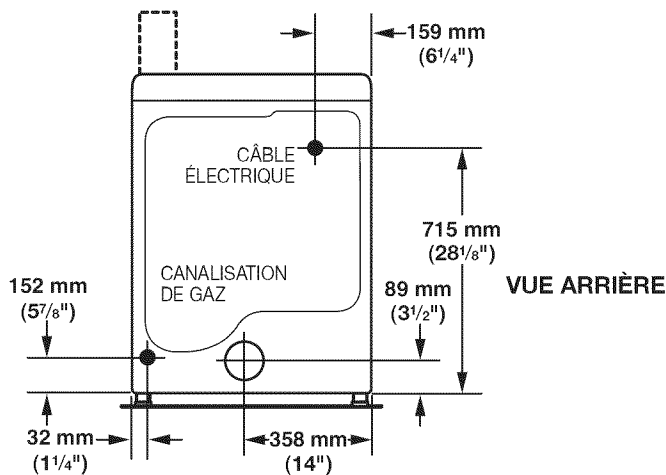
On doit prévoir un espacement additionnel pour tenir compte éventuellement des moulures du mur, de la porte et du plancher, ou si le circuit d'évacuation comporte un coude.



\* Taille minimale de l'ouverture pour la porte du placard. On peut utiliser une porte à claire-voie offrant une surface de passage d'air équivalente.

### Dimensions du produit – Sèche-linge de 686 mm (27")





Ce sèche-linge est équipé d'un cordon d'alimentation électrique et d'une fiche. Il doit être connecté à une prise électrique de tension tel qu'indiqué sur la plaque signalétique. La capacité minimale du fusible d'alimentation doit être de 5A. Le sèche-linge doit être installé de façon à ce que la fiche soit clairement évidente et accessible. Cette fiche remplit également la fonction de commande d'arrêt d'urgence pour l'utilisateur. Si la fiche d'origine n'est pas utilisée, la connexion électrique doit être effectuée par un électricien compétent conformément aux codes locaux et nationaux. Si le cordon d'alimentation est endommagé, il doit être remplacé par un cordon à embout spécifique par un agent d'entretien autorisé ou une personne de compétence similaire afin d'éviter tout danger.

Ne pas utiliser d'adaptateur.

Ne pas utiliser de câble de rallonge.

**REMARQUE :** Conformément à la directive européenne CEM (2004/108/EC), l'impédance maximale du système d'alimentation électrique auquel le sèche-linge à gaz doit être connecté est de 0,054 Ohm + j0,034 Ohm.

**NOTE :** Normes de sécurité électriques : Pour ce produit, le fabricant a estimé que la mise en conformité avec les normes IEC/EN.60335 était la plus appropriée.

## ⚠ AVERTISSEMENT



### Risque de choc électrique

**Une mise à la terre est nécessaire sur ce sèche-linge.**

**Ne pas utiliser une tuyauterie de gaz pour le raccordement à la terre.**

**Ne pas changer la fiche du cordon d'alimentation. Si elle ne correspond pas à la prise de sortie, faire installer une prise adéquate par un électricien qualifié.**

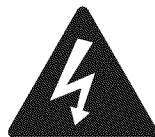
**Ne pas utiliser de câble de rallonge avec ce sèche-linge.**

**Le non-respect de ces instructions peut causer un décès, un incendie ou des blessures graves.**

Si les codes le permettent et si un conducteur supplémentaire de mise à la terre est utilisé, il est recommandé qu'un électricien qualifié inspecte le parcours du fil de mise à la terre.

## Spécifications électriques - sèche-linge à gaz

## ⚠ AVERTISSEMENT



**Tension Électrique Dangereuse**

**Important :** Se conformer à tous les codes et règlements en vigueur. Une prise électrique avec liaison à la terre située à 610 mm (2 pi) maximum de l'un des côtés du sèche-linge est nécessaire.

## INSTRUCTIONS DE MISE A LA TERRE

■ Ce sèche-linge a été conçu pour être raccordé au secteur et mis à la terre ; la mise à la terre est donc impérative: En cas de disfonctionnement ou de panne, la mise à la terre réduira le risque de choc électrique en offrant au courant électrique une voie de moindre résistance. Ce sèche-linge est alimenté par un cordon électrique comportant un conducteur de liaison à la terre et une fiche de mise à la terre. La fiche doit être branchée sur une prise de courant appropriée correctement installée et reliée à la terre conformément à tous les codes et règlements locaux.

**AVERTISSEMENT :** Un raccordement inapproprié du conducteur de liaison à la terre peut causer un risque de choc électrique.

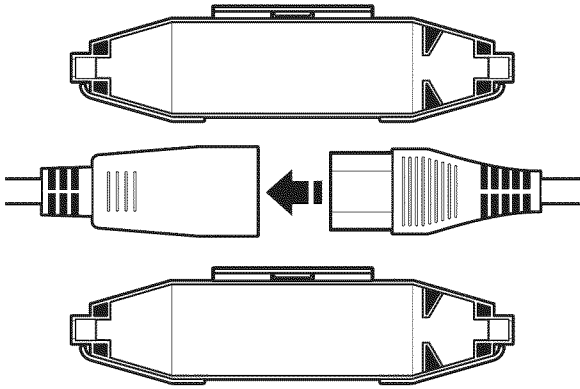
En cas de doute concernant la qualité de la liaison à la terre du sèche-linge, consulter un électricien qualifié, un agent ou personnel d'entretien. Ne pas modifier la fiche fournie avec ce sèche-linge : Si elle ne correspond pas à la prise de sortie, faire installer une prise appropriée par un électricien qualifié.

**CONSERVEZ CES INSTRUCTIONS**

## À l'aide du cordon universel fourni avec ce sèche-linge :

Ce sèche-linge à gaz est équipé d'un cordon universel avec des fiches interchangeables.

1. Pour utiliser le cordon universel, sélectionner la fiche amovible qui correspond à votre prise de courant et brancher dans l'adaptateur placé sur le cordon d'alimentation.
2. Fixer la fiche amovible sur le cordon en alignant les deux moitiés de couvercle sur l'adaptateur et en les emboîtant.



## Spécifications de l'alimentation en gaz

### **⚠ AVERTISSEMENT**



#### Risque d'explosion

**Connecter ce sèche-linge à une canalisation d'alimentation en gaz réglementée. La pression de gaz doit être conforme aux exigences techniques (voir dernière page).**

**Installer un robinet d'arrêt.**

**Bien serrer tous les raccords de la ligne de gaz.**

**En cas de connexion au gaz propane, demander à une personne qualifiée de s'assurer que la pression d'alimentation en gaz est correcte.**

**Le non-respect de ces instructions peut causer un décès, une explosion ou un incendie.**

**IMPORTANT :** Se conformer à tous les codes et règlements en vigueur.

## Alimentation en gaz

Avant d'effectuer l'installation, vérifier que les caractéristiques de distribution, la nature et la pression de gaz locales ainsi que le réglage de l'appareil sont compatibles. Les informations concernant le brûleur se trouvent sur la plaque signalétique située sur la paroi interne de la porte du sèche-linge. Si l'information ne correspond pas au type de gaz disponible, consulter votre revendeur.

### Gaz naturel :

Ce sèche-linge est configuré en usine pour une utilisation au GAZ NATUREL (G20) et aucun réglage supplémentaire n'est nécessaire lors de l'installation.

### Gaz propane :

Ce sèche-linge est également homologué pour une utilisation avec des gaz de pétrole liquéfié (propane ou butane) après conversion appropriée. Ne pas tenter de convertir l'appareil pour une utilisation avec un gaz différent de celui indiqué sur la plaque signalétique sans consulter le fournisseur de gaz au préalable.

La conversion doit être effectuée par un réparateur qualifié. La trousse de conversion, numéro de référence W10233219, est disponible à l'achat chez votre revendeur. Des instructions accompagnent cette trousse.

### Gaz naturel (France/Belgique) :

Ce sèche-linge est également homologué par la France/Belgique pour une utilisation avec un gaz G20/G25 (20 mbar/25 mbar) avec une conversion appropriée. Il ne faut pas essayer de convertir ce sèche-linge à partir du gaz indiqué sur l'étiquette d'indice de gaz vers un gaz différent sans consulter le fournisseur de gaz. La conversion d'un gaz à un autre doit être faite par un technicien qualifié de service de gaz. L'ensemble de conversion (numéro de pièce W10181947) peut être acheté chez votre marchand. Des instructions complètes sont fournies avec l'ensemble.

### Exigences concernant le conduit d'alimentation :

Installer un conduit rigide d'alimentation en gaz à l'emplacement du sèche-linge. Le diamètre interne minimal du conduit doit être de 12,5 mm (1/2"). Lorsque les codes locaux et votre fournisseur de gaz l'autorisent, un diamètre interne de conduit rigide de 10 mm (3/8") peut être utilisé pour des longueurs inférieures à 6,1 m (20 pi.). Une pâte d'étanchéité pour joints résistant à l'action du gaz propane doit être utilisée.

Le raccordement au gaz du sèche-linge lui-même doit être effectué au moyen d'un conduit de gaz flexible qui convienne à l'appareil et corresponde à la catégorie de gaz, conformément aux règlements d'installation nationaux. En cas de doute, contacter le fournisseur de gaz. Le diamètre interne doit être d'au moins 10 mm (3/8").

Un dispositif de fixation doit être installé entre l'appareil et le mur afin d'éviter que la canalisation d'alimentation en gaz rigide ne subisse de tension lors d'un déplacement de l'appareil. Il est recommandé d'utiliser une longueur de chaîne appropriée et un crochet mural.

Le raccord du conduit d'alimentation en gaz du sèche-linge est un filetage conique NPT de 3/8". Un adaptateur est fourni pour la conversion à un filetage standard (3/8" BSP) selon la norme ISO.228-1.

Vérifier l'absence de fuites en utilisant une solution de détection non-corrosive homologuée. L'apparition de bulles indique la présence d'une fuite. Réparer toute fuite éventuelle. Un dispositif de mesure de la pression est fourni avec le robinet de gaz à l'intérieur du sèche-linge; on peut y accéder après avoir retiré le panneau avant inférieur.

Le sèche-linge doit être déconnecté du système d'alimentation en gaz lors de tout test de pression.

## Exigences concernant l'évacuation

### ⚠ AVERTISSEMENT

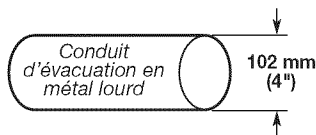


#### Risque d'incendie

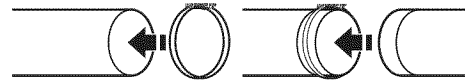
- Utiliser un conduit d'évacuation en métal lourd.
- Ne pas utiliser un conduit d'évacuation en plastique.
- Ne pas utiliser un conduit d'évacuation en feuille de métal.
- Le non-respect de ces instructions peut causer un décès ou un incendie.

**AVERTISSEMENT** : Pour réduire le risque d'incendie, ce sèche-linge DOIT ÉVACUER L'AIR À L'EXTÉRIEUR.

- Si l'on suit ces spécifications d'évacuation, le bruit produit par les conduits sera minimisé.
- Les sèche-linge à gaz peuvent être installés dans une pièce uniquement si celle-ci répond aux critères de ventilation adéquats tels que spécifiés dans les règlements d'installation nationaux. S'assurer que la pièce renfermant le sèche-linge possède un approvisionnement en air suffisant pour permettre la combustion du gaz et le processus de séchage. Une fenêtre ou un moyen de ventilation équivalent doit être ouverte dans la pièce lorsque le sèche-linge est utilisé (comme forme d'ouverture équivalente, on peut citer une persienne réglable, un panneau ouvrant avec charnière ou d'autres méthodes d'aération s'ouvrant directement sur l'air extérieur). Une aération adéquate est nécessaire pour éviter le retour des gaz dans la pièce en provenance d'appareils ménagers qui utilisent d'autres carburants comme combustible, y compris les feux ouverts (autrement dit le débit d'air entrant dans la pièce doit être égal au débit qui en sort).
- La conception du système d'évacuation doit permettre à toute condensation formée lors du fonctionnement de l'appareil d'être soit retenue puis évaporée, soit évacuée. Le respect de ces instructions permettra de répondre convenablement à ce critère.
- Le conduit d'évacuation du sèche-linge ne doit pas être raccordé à une évacuation de gaz, une cheminée, un mur, un plafond, un grenier, un vide sanitaire ou un vide de construction. Seul un conduit d'évacuation métallique rigide ou souple doit être utilisé pour le système d'évacuation.
- Ne pas utiliser un clapet d'évacuation à fermeture magnétique.
- Ne pas installer le conduit métallique flexible dans les cavités fermées des murs, plafonds ou planchers.
- Utiliser uniquement un conduit d'évacuation en métal lourd de 102 mm (4") et des brides de serrage.



- Utiliser des brides de fixation pour sceller tous les joints. L'évent ne doit pas être connecté ou fixé avec des vis ou autres dispositifs d'accrochage qui se prolongent à l'intérieur de l'évent et peuvent retenir les peluches. Ne pas utiliser de ruban adhésif en toile.



**Une mauvaise évacuation de l'air peut causer de l'humidité et une accumulation de charpie à l'intérieur de la maison, ce qui peut provoquer :**

- Dommages par l'humidité aux boiseries, meubles, peinture, papier-peint, tapis, etc.
- Problèmes de nettoyage dans la maison et problèmes de santé.

**IMPORTANT** : Respecter les dispositions de tous les codes et règlements en vigueur.

Utiliser un conduit d'évacuation en métal lourd. Ne pas utiliser un conduit de plastique ou en feuille métallique.

On recommande d'utiliser un conduit métallique rigide pour une meilleure performance de séchage et pour réduire les risques d'écrasement et de déformation.

Un conduit métallique flexible doit être totalement déployé et soutenu lorsque le sèche-linge est à sa position finale. Enlever tout excès de conduit flexible pour éviter tout affaissement/ déformation qui réduira le débit d'air et le rendement du sèche-linge.

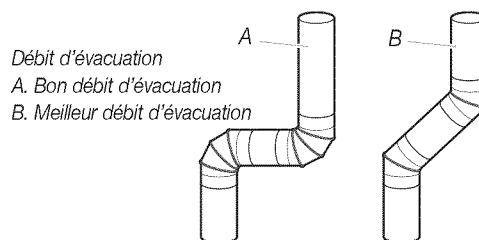
La longueur totale du conduit métallique flexible ne doit pas excéder 2,4 m (7¾ pi).

Terminer le conduit d'évacuation par un clapet de décharge pour éviter les rongeurs et insectes d'entrer dans le bâtiment.

Le clapet de décharge doit être situé à au moins 305 mm (12") au-dessus du sol ou de tout autre objet susceptible de se trouver sur le trajet de l'air humide rejeté (par exemple, fleurs, roches, arbustes ou neige).

Lors de l'utilisation d'un circuit d'évacuation existant, nettoyer les peluches sur toute la longueur du système et veiller à ce que la bouche de décharge ne soit pas obstruée par une accumulation de peluches. Remplacer tout conduit de plastique ou de feuille métallique mince par un conduit métallique flexible ou rigide.

Planifier l'installation pour introduire le nombre minimal de coudes et de changements de direction.



Si des coudes sont utilisés ou des changements de direction effectués, prévoir autant d'espace que possible. Plier le conduit graduellement pour éviter de le déformer.

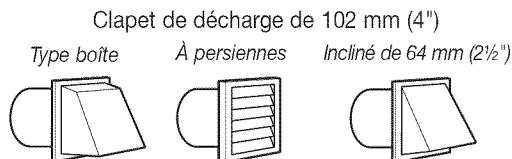
La bouche de sortie est située à l'arrière du sèche-linge, en bas/au centre.

On peut acheminer le conduit d'évacuation par le haut, par le bas, par la gauche, par la droite, derrière le sèche-linge ou en ligne droite depuis l'arrière du sèche-linge.

## Longueur du circuit d'évacuation

La longueur maximale du circuit d'évacuation dépend du type de conduit utilisé, du nombre de coudes et du type de bouche de décharge.

### Longueur maximale du conduit



#### Conduit métallique rigide

| Nombre d'angles à 90° | Clapets de type boîte et à persiennes | Clapet incliné   |
|-----------------------|---------------------------------------|------------------|
| 0                     | 39,6 m (130 pi.)                      | 39,3 m (129 pi.) |
| 1                     | 38,1 m (125 pi.)                      | 36,3 m (119 pi.) |
| 2                     | 35,1 m (115 pi.)                      | 33,2 m (109 pi.) |
| 3                     | 32,3 m (106 pi.)                      | 30,5 m (100 pi.) |
| 4                     | 29,9 m (98 pi.)                       | 28 m (92 pi.)    |

Si le sèche-linge est installé dans un espace réduit tel qu'une chambre à coucher, une salle de bain ou un placard, on doit prévoir une arrivée d'air en quantité suffisante pour la combustion et la ventilation. (Consulter les codes et règlements en vigueur.) Voir "Instructions pour l'installation dans un placard ou dans un encastrement" de la section "Exigences d'emplacement".

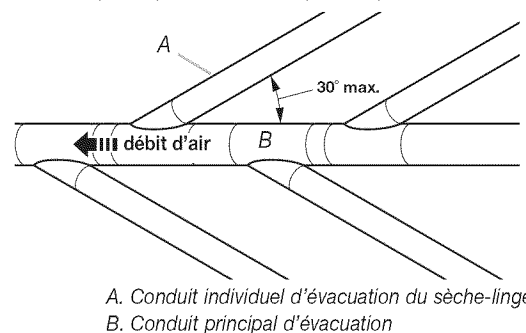
L'emploi d'une bouche de décharge de 102 mm (4") est préférable. On peut cependant utiliser une bouche de 64 mm (2½"). Une bouche de décharge de 64 mm (2½") peut causer une plus forte rétropression que les autres genres de bouches. Pour une installation permanente, un système d'évacuation fixe est requis.

## Évacuation multiple du sèche-linge

- Un conduit d'évacuation principal peut être utilisé pour un groupe des sèche-linge. Le conduit d'évacuation principal devrait être d'un diamètre suffisant pour évacuer 5663 l/min (200 pi<sup>3</sup>/min) d'air par sèche-linge. Des filtres à peluches de forte capacité et de conception adéquate peuvent être utilisés dans le conduit principal d'évacuation s'ils sont inspectés et nettoyés fréquemment. La pièce où se trouvent les sèche-linge devrait recevoir un apport d'air de débit égal ou supérieur au débit total (pi<sup>3</sup>/min) de débit de tous les sèche-linge installés dans la pièce.
- Un ensemble antirefoulement est nécessaire et est fourni par un distributeur de buanderie commerciale et devrait être installé dans le conduit d'évacuation de chaque sèche-linge pour éviter l'air évacué de retourner dans les sèche-linge et pour maintenir une pression équilibrée dans le conduit principal d'évacuation. Des orifices de passage d'air de retour non obstrués sont requis.

Chaque conduit d'évacuation devrait pénétrer dans le conduit principal à un angle pointant dans la direction du débit d'air. Les conduits raccordés au conduit principal de part et d'autre devraient être disposés en quinconce pour que l'air évacué par un sèche-linge ne puisse perturber l'évacuation d'un autre sèche-linge.

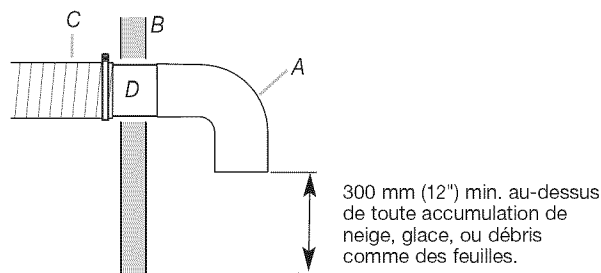
L'angle maximal entre le conduit connecté à un sèche-linge et le conduit principal ne devrait pas dépasser 30°.



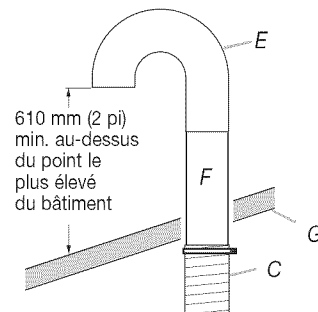
Faire en sorte que les vapeurs générées par les liquides de nettoyage à sec ne puissent pas atteindre les orifices d'entrée d'air; ces vapeurs créent des composés acides qui, lorsqu'ils sont attirés vers les unités de chauffage des sèche-linge, peuvent endommager les sèche-linge et le linge en cours de séchage.

Une bouche de nettoyage devrait être installée dans le conduit principal d'évacuation pour les nettoyages périodiques du système d'évacuation.

### Si une bouche de décharge ne peut être utilisée :



- A. Bouche de décharge ou coude de déviation
- B. Mur
- C. Cheminée principale de mise à l'air libre
- D. Conduit horizontal
- E. Coude de déviation à 180°
- F. Conduit vertical
- G. Toit



L'extrémité extérieure du conduit principal devrait être munie d'un coude de déviation dirigé vers le bas. Si le conduit principal suit une trajectoire verticale à travers le toit, plutôt qu'à travers le mur, installer un coude de déviation de 180° à l'extrémité du conduit et dépassant d'au moins 610 mm (24 pi) au-dessus de la partie la plus élevée du bâtiment. L'ouverture murale ou dans le toit doit avoir un diamètre supérieur de 13 mm (1/2") à celui du conduit d'évacuation. Le conduit d'évacuation devrait être centré dans l'ouverture.

Ne pas installer une grille ou un couvercle sur l'extrémité du conduit d'évacuation.



# INSTRUCTIONS D'INSTALLATION - SECHE-LINGE A GAZ

## Installation des pieds de nivellement

### **⚠ AVERTISSEMENT**

#### **Risque du poids excessif**

**Utiliser deux ou plus de personnes pour déplacer et installer le sèche-linge.**

**Le non-respect de cette instruction peut causer une blessure au dos ou d'autre blessure.**

**NOTE :** Placer le sèche-linge sur une feuille de carton ou un panneau de bois dur avant de la déplacer sur le plancher, afin d'éviter d'endommager le revêtement du sol.

1. À l'aide de deux personnes ou plus, déplacer le sèche-linge à l'emplacement d'installation désiré.
2. Enlever le ruban adhésif dans les angles avant du sèche-linge. Ouvrir le sèche-linge; enlever les brochures et sachets de pièces. Essuyer parfaitement la surface interne du tambour avec un chiffon humide.
3. Prendre deux cornières de carton de l'emballage et les placer sur le plancher à l'arrière du sèche-linge. Saisir fermement le sèche-linge et la placer doucement en appui sur la face arrière, sur les cornières de carton.
4. Prendre l'un des pieds et identifier la marque en losange dans le filetage. Ce repère indique jusqu'où le pied doit être vissé dans le trou.
5. Commencer à visser à la main les pieds avant dans les trous. (Utiliser une petite quantité de détergent liquide pour lubrifier la section filetée, pour qu'il soit plus facile de tourner les pieds). Utiliser une clé de 25 mm (1") ou une clé à douille pour visser les pieds jusqu'au repère. Placer ensuite un patin de protection sur chaque pied.
6. Placer maintenant le sèche-linge verticalement.
7. Retirer la feuille de carton ou le panneau de bois dur placé sous le sèche-linge. Régler les pieds du sèche-linge vers le haut ou vers le bas jusqu'à ce que le sèche-linge soit d'aplomb.

## Raccordement à la canalisation de gaz

### **⚠ AVERTISSEMENT**

#### **Risque du poids excessif**

**Utiliser deux ou plus de personnes pour déplacer et installer le sèche-linge.**

**Le non-respect de cette instruction peut causer une blessure au dos ou d'autre blessure.**

1. Retirer le capuchon rouge de la canalisation de gaz.
2. Raccorder la canalisation de gaz au sèche-linge. Un adaptateur est fourni pour la conversion à un filetage standard (3/8" BSP) selon la norme ISO.228-1. Utiliser un composé d'étanchéité compatible avec le gaz propane.  
Si cela est nécessaire à l'entretien, ouvrir le panneau de plinthe. Utiliser un couteau à mastic pour appuyer sur les 2 verroux du panneau de plinthe situé sur la partie supérieure du panneau de plinthe. Tirer le panneau de plinthe vers le bas pour l'ouvrir. Le panneau de plinthe est fixé à la partie inférieure.
3. Ouvrir le robinet d'arrêt de la canalisation d'arrivée de gaz.
4. Vérifier tous les raccords en les badigeonnant d'une solution de détection des fuites non corrosive approuvée. L'apparition de bulles indique une fuite. Réparer toute fuite éventuelle.

## Raccordement du conduit d'évacuation

1. À l'aide d'une bride de fixation de 102 mm (4"), relier le conduit d'évacuation à la bouche d'évacuation du sèche-linge. Si on utilise le conduit d'évacuation existant, s'assurer qu'il est propre. Le conduit d'évacuation du sèche-linge doit être fixé sur la bouche d'évacuation du sèche-linge et dans le clapet d'évacuation. S'assurer que le conduit d'évacuation est fixé au clapet d'évacuation à l'aide d'une bride de fixation de 102 mm (4").
2. Placer le sèche-linge à l'emplacement final désiré. Ne pas écraser ni déformer le conduit d'évacuation. Vérifier que le sèche-linge est de niveau.
3. Vérifier que la canalisation souple de gaz n'est pas déformée.

## Achever l'installation

1. Une fois le sèche-linge à son emplacement final, placer un niveau sur le sommet du sèche-linge, transversalement, puis dans le sens avant arrière. Si le sèche-linge n'est pas d'aplomb, ajuster les pieds pour modifier la hauteur et établir un bon aplomb du sèche-linge.

### **⚠ AVERTISSEMENT**



#### **Risque de choc électrique**

**Ce sèche-linge doit être relié à la terre.**

**Bien serrer toutes les connexions électriques.**

**Le non-respect de ces instructions peut causer un décès, un incendie ou un choc électrique.**

2. Brancher sur une prise reliée à la terre.
3. Contrôler le bon fonctionnement du sèche-linge : Appuyer sur le bouton de sélection pour un programme complet et laisser le sèche-linge fonctionner pendant au moins 5 minutes. Le sèche-linge s'arrêtera à l'expiration de la période ainsi déterminée.  
**NOTE :** Il faut que la porte soit fermée pour que le sèche-linge puisse fonctionner. Le sèche-linge s'arrête dès l'ouverture de la porte, mais la minuterie continue de fonctionner. Pour remettre le sèche-linge en marche, fermer la porte et appuyer sur le bouton du programme.
4. Si on ne perçoit aucune chaleur à l'intérieur du sèche-linge et si le brûleur ne s'allume pas, arrêter la sécheuse pendant cinq minutes. Vérifier que tous les robinets de la canalisation d'alimentation de gaz sont ouverts et que le cordon d'alimentation électrique est branché. Répéter le test de cinq minutes de fonctionnement.

# INSTRUCTIONS D'ENTRETIEN

## Instructions d'entretien :

- Nettoyer le filtre à peluches après chaque utilisation.
- Comment enlever les peluches accumulées (déconnecter le sèche-linge de l'alimentation électrique et de l'alimentation en gaz avant d'effectuer cette opération) :
  - De l'intérieur du sèche-linge :  
Il faut retirer les peluches tous les 2 ans ou plus souvent, selon l'utilisation du sèche-linge. Le nettoyage doit être effectué par une personne qualifiée.
  - Du conduit d'évacuation :  
Il faut retirer les peluches tous les 2 ans ou plus souvent, selon l'utilisation du sèche-linge.

## Si le sèche-linge ne fonctionne pas, vérifier ce qui suit :

- Le circuit d'alimentation électrique est bien connecté.
- Les disjoncteurs ne sont pas ouverts et les fusibles sont intacts.
- La porte est fermée. Écouter étroitement pour entendre l'activation du contacteur(s) de la porte.
- Le bouton du programme a été enfoncé fermement et l'afficheur montre la durée de cycle.
- Vérifier que les robinets de la canalisation de gaz sont ouverts.

## Si vous avez besoin d'assistance :

Veillez communiquer avec votre distributeur d'ensemble de buanderie commercial Maytag® autorisé. Lors de l'appel, vous aurez besoin des numéros de modèle et de série du sèche-linge. Les deux numéros sont indiqués sur la plaque signalétique du sèche-linge. Ou visitez le site Web [www.MaytagCommercialLaundry.com](http://www.MaytagCommercialLaundry.com).

## FICHE TECHNIQUE - SECHE-LINGE A GAZ

|  |  |  |
|--|--|--|
| 220-240 v ~ 50 Hz, 1 ph, 3 A max. IP24 Capacité max. : 9,0 kg de linge Niveau de pression acoustique, LpA : 58 dBA (incertitude, KpA : +/- 10 dBA) Poids total : 68 kg max.  |  |  |
| Régulé à l'usine pour le GAZ NATUREL. Taille de l'injecteur : 2,2 mm<br>Capacité calorique brute : 5,9 kW  |  |  |
| Pays européen :  | CH, CZ, CY, ES, GB, GR, HR, IE, IT, PT, SI, SK, TR | CY, CZ, DK, EE, FI, GR, HU, IT, NO, RO, SE, SK, TR |
| Catégorie européenne de gaz :  | II <sub>2</sub> H3+                                | II <sub>2</sub> H3B/P                              |
| Pression ajustée :   | 0,562703 m <sup>3</sup> /h                         | 0,562703 m <sup>3</sup> /h                         |
| Pression de l'alimentation (G20)   | 20 mbar  | 20 mbar  |
| Pression réglée à l'usine :  | 7,4 mbar   | 7,4 mbar   |
| Avec trousse de conversion au GPL : Taille de l'injecteur : 1,25 mm<br>Capacité calorique brute : 6,4 kW   |  |  |
| Pays européen :  | CH, CZ, CY, ES, GB, GR, HR, IE, IT, PT, SI, SK, TR | CY, CZ, DK, EE, FI, GR, HU, IT, NO, RO, SE, SK, TR |
| Catégorie européenne de gaz :  | II <sub>2</sub> H3+                                | II <sub>2</sub> H3B/P                              |
| Pression d'alimentation en butane (G30) :  | 28-30 mbar   | 30 mbar  |
| Pression ajustée :   | S/O  | S/O  |
| Pression d'alimentation en propane (G31) :   | 37 mbar  | 30 mbar  |
| Pression ajustée :   | S/O  | S/O  |
| Avec l'ensemble de conversion au GAZ NATUREL pour la France/Belgique : Taille de l'injecteur : 1,65 mm<br>Production de chaleur brute : 5,9 kW   |  |  |
| Pays européen :  | FR, BE   |  |
| Catégorie européenne de gaz :  | I <sub>2</sub> E+                                  |  |
| Pression d'alimentation (G20) :  | 20 mbar  |  |
| Pression d'alimentation (G25) :  | 25 mbar  |  |
| Pression ajustée :   | S/O  |  |
| <b>REMARQUE :</b> Trousse de conversion : du gaz naturel au GPL : Pièce Whirlpool N° W10233219.<br>Ensemble de conversion du gaz naturel au gaz naturel - France/Belgique :<br>Pièce Whirlpool N° : W10181947  |  |  |
| Fabricant : Whirlpool Corporation, Benton Harbor, Michigan 49022, U.S.A.<br>Site industriel de fabrication : Whirlpool Corporation, 1300 Marion-Agosta Rd., Marion, OH 43302, ETATS-UNIS<br>Représentant de l'UE : Maytag UK Ltd., 2 St. Annes Blvd., Redhill, RH1 1AX, UK<br>et Bauknecht Hausgeräte GmbH, D-73614 Schorndorf |  |  |

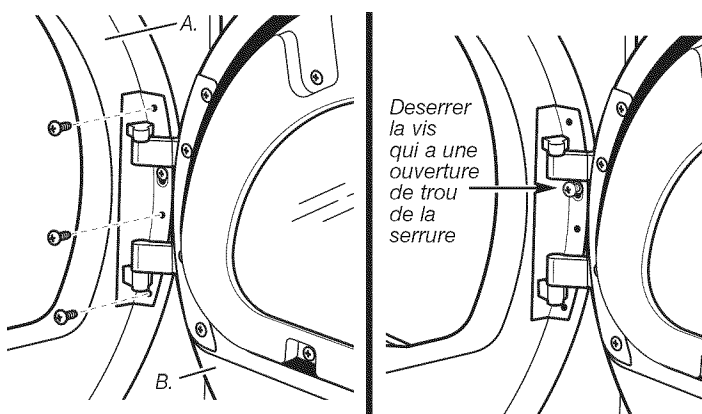
# INVERSION DU SENS D'OUVERTURE DE LA PORTE

Le sens d'ouverture de la porte peut être changé du côté droit au côté gauche, si désiré.

Placer une serviette ou un chiffon doux sur le dessus du sèche-linge ou du plan de travail pour éviter d'endommager la surface.

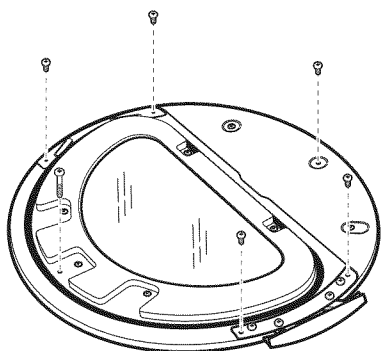
## Dépose de l'armature de la porte

1. Enlever 3 des 4 vis qui maintiennent la charnière de la porte sur le panneau avant du sèche-linge. Desserrer partiellement la vis restante qui a une ouverture de trou de la serrure et soulever la porte de la vis.

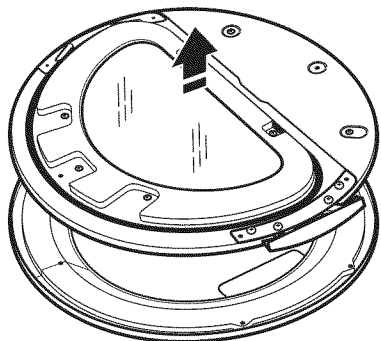


A. Panneau avant du sèche-linge  
B. Armature de la porte

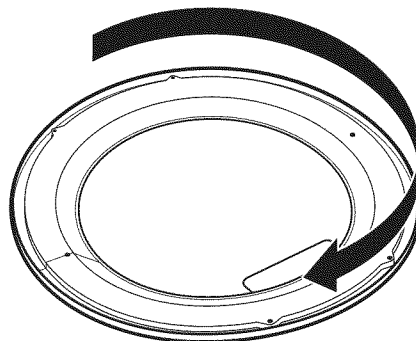
2. Poser la porte sur une surface plane préparée, côté intérieur (partie interne de la porte) vers le haut.
3. Enlever les 6 vis à tête Philips pour séparer la partie externe de la porte de la partie interne, tel qu'indiqué ci-dessous. Voir l'illustration. Il est important d'enlever uniquement les 6 vis indiquées.



4. Soulever la partie interne de la porte hors de la partie externe.

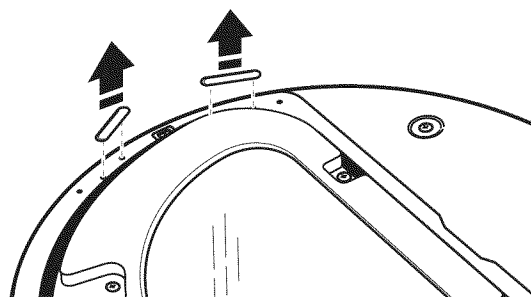


5. Faire pivoter la partie externe de 180°.

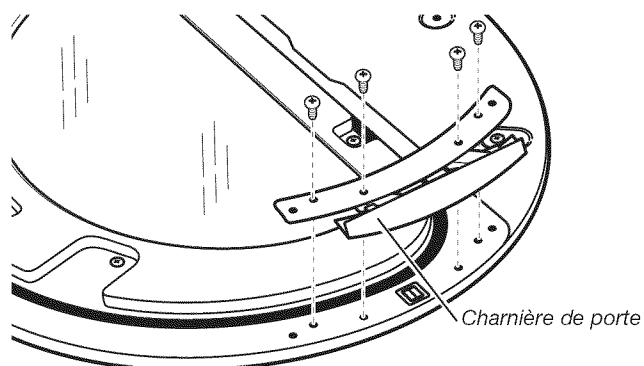


## Inversion de la charnière

1. Utiliser un petit tournevis à lame plate pour enlever 2 pitons d'obturation de la partie interne de la porte. Faire glisser la tête du tournevis sous les pitons, en veillant à ne pas érafler la surface de la porte interne. Soulever.

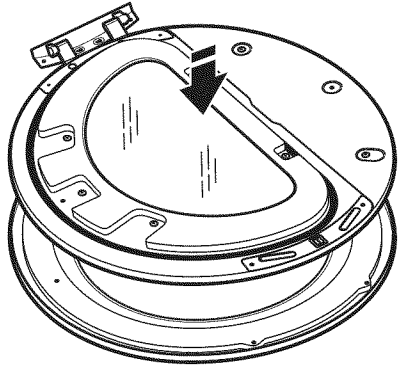


2. Enlever les 4 vis qui fixent la charnière de la porte interne et déplacer la charnière de l'autre côté. Réinstaller les 4 vis.

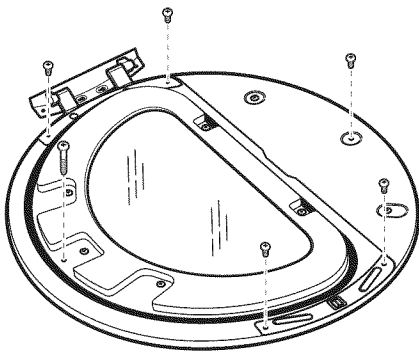


3. Réinstaller les pitons d'obturation sur le côté opposé de la porte interne.
4. Vérifier qu'il n'y a pas de marques de doigts sur le verre. Nettoyer le verre au besoin.

- Placer la partie interne de la porte à l'intérieur de la partie externe. Pour une bonne installation, le bord de la partie interne de la porte doit se trouver complètement à l'intérieur du bord de la partie externe de la porte.

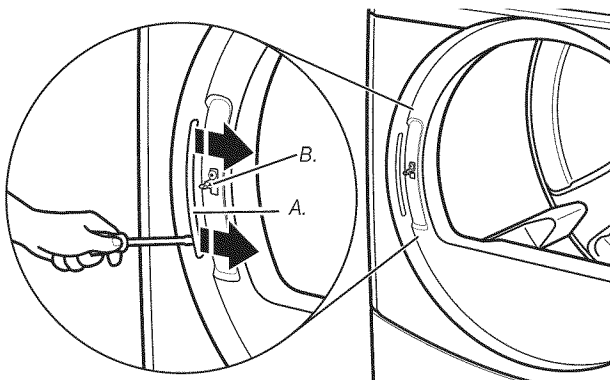


- Assembler de nouveau les parties interne et externe de la porte avec les 6 vis.



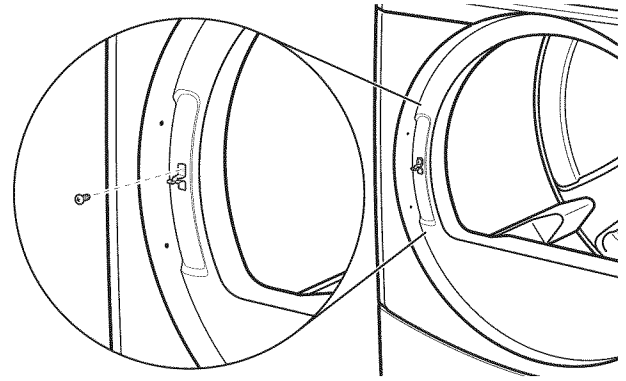
### Inversion de la gâche

- Utiliser un petit tournevis à lame plate pour enlever la tringle des pitons d'obturation des trous dans l'ouverture de la porte du sèche-linge. Faire glisser la tête du tournevis sous les pitons, en veillant à ne pas érafler la surface du sèche-linge. Soulever du sèche-linge lentement pour éviter la déformation de la tringle des pitons d'obturation des trous.



A. Tringle des pitons d'obturation des trous  
B. Gâche de la porte

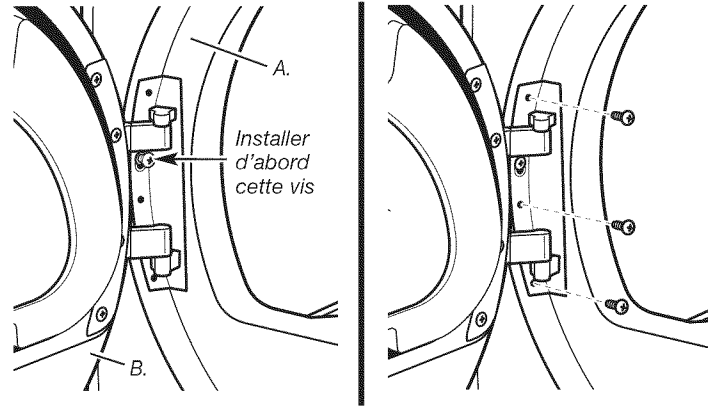
- Enlever la gâche avec un tournevis Phillips.



- Installer la gâche du côté opposé.

### Réinstallation de la porte

- Fixer de nouveau la porte sur le panneau avant du sèche-linge avec les 4 vis. Installer partiellement la vis qui a l'ouverture de trou de la serrure d'abord, et placer l'ouverture de trou de la serrure de la charnière au-dessus de la vis. Installer ensuite les autres 3 vis et serrer chacune des 4 vis.



A. Panneau avant du sèche-linge  
B. Assemblage de la porte

- Vérifier qu'il n'y a pas de marques de doigts sur le verre. Nettoyer le verre au besoin.
- Fermer la porte et vérifier qu'elle s'enclenche solidement.

# REGLAGE DE LA CARTE DE CIRCUITS ELECTRONIQUES

## **AVERTISSEMENT**

### Risque de choc électrique

Déconnecter la source de courant électrique avant l'entretien.

Replacer pièces et panneaux avant de faire la remise en marche.

Le non-respect de ces instructions peut causer un décès ou un choc électrique.

## **IMPORTANT**

### **Décharge électrostatique (DES) Circuits électroniques sensibles**

Les DES se produisent partout. Une DES peut détruire ou détériorer les circuits électroniques. La nouvelle carte peut sembler fonctionner correctement après la réparation, mais une DES peut lui avoir fait subir des contraintes qui provoqueront une défaillance plus tard.

- Utiliser un bracelet antistatique. Connecter le bracelet antistatique au point de connexion vert relié à la terre ou sur une partie de métal non peint à l'intérieur de l'appareil.

-OU-

Toucher plusieurs fois de suite avec le doigt un point vert de raccordement à la terre ou une surface métallique non peinte à l'intérieur de l'appareil.

- Avant de retirer la pièce de son sachet, placer le sachet antistatique en contact avec la vis verte de liaison à la terre ou une surface métallique non peinte de l'appareil.
- Éviter de toucher les composants électroniques ou les broches de contact ; manipuler les circuits électroniques de l'appareil uniquement par les bords.
- Lors du ré-emballage des circuits électroniques de l'appareil défaillant dans le sachet antistatique, observer les instructions ci-dessus.

## **INFORMATIONS GENERALES POUR L'UTILISATEUR**

### **"out of order" apparaît sur l'affichage**

Ce problème indique que le sèche-linge ne fonctionne pas. Le code d'anomalie ou de diagnostic s'affichera à la suite du message qui défile.

### **"0 Minutes" apparaît sur l'affichage**

Ce problème indique qu'il n'est pas possible de faire fonctionner le sèche-linge. Les pièces déposées ou le débit entrées pendant cette condition seront emmagasiné(s) dans le dépôt mais ne peuvent pas être utilisé(s) tant que le fonctionnement normal n'est pas restauré en ouvrant puis en refermant la porte. Si un commutateur de porte s'avère défectueux, il doit être remplacé avant que le fonctionnement normal puisse être rétabli.

### **Démarrage à froid (première utilisation)**

Le sèche-linge est programmé à l'usine comme suit :

- 45 minutes de séchage (Modèles PN);  
5 minutes de séchage/pièce (Modèles PD).
- 1,50 de séchage (programme fixe avec ajout de durée supplémentaire – Modèles PD).
- 0,00 de séchage (programme fixe – Modèles PN).

### **Démarrage à chaud (après une panne de courant)**

Quelques secondes après que le courant soit rétabli, si un programme était en fonction au moment de la panne de courant,

le message "RESELECT CYCLE" (sélectionner à nouveau le programme) clignotera sur l'affichage. Ceci indique la nécessité d'appuyer sur une touche de réglage de tissu pour redémarrer le sèche-linge.

### **Tarification**

Après l'ouverture et la fermeture de la porte suivant la complétion d'un programme, l'affichage indique le tarif du programme (sauf si réglé pour opération gratuite). Alors que surviennent les entrées de pièces ou d'entrée de débit, l'affichage changera pour guider l'utilisateur vers l'initialisation d'un programme.

Il y a quatre (4) types de tarification :

### **Tarif de "vente" fixe**

Un sèche-linge réglé pour l'opération d'un "programme fixe" pourra uniquement accepter des périodes de temps additionnelles accumulées en incréments égaux à la durée d'un programme complet de séchage. On peut acheter un maximum de 99 minutes ; aucun crédit additionnel n'est ajouté lorsque 99 minutes s'affiche.

### **Tarif accumulé**

Si le prix est fixé à une pièce 1, alors le mode accumulateur sera actif. La durée du programme peut être achetée une pièce à la fois (modèles PD) jusqu'à la durée maximale de 99 minutes.

### **Programme fixe avec durée supplémentaire**

Un sèche-linge réglé pour permettre l'ajout de "durée supplémentaire" permettra l'addition de durée à un programme existant de séchage par incréments égaux au nombre de minutes de durée de séchage par pièce de monnaie (pièce 1), jusqu'à 99 minutes, sans égard au coût requis pour démarrer le sèche-linge. Aucun crédit n'est ajouté pour les pièces ou l'entrée de débit lorsque le contrôle affiche 99 minutes.

Modèles PN configurés en tant que PR : Dans le Mode débit évolué, on peut régler la durée supplémentaire de manière indépendante (voir VALEUR DE LA PIECE 2), et la durée supplémentaire se calcule selon l'équation suivante :

$$\frac{\text{prix supplémentaire}}{\text{prix du programme complet}} = \frac{\text{durée supplémentaire}}{\text{durée complète du programme}}$$

L'arrondissement au sous supérieur n'est pas appliqué aux achats de durée supplémentaire.

### **Modèles PN**

L'usine a préréglé le prix du programme à zéro. Lorsque cela se produit "SELECT CYCLE" (sélectionner un programme) s'affichera plutôt que le prix du programme. Tout programme démarré comme programme gratuit se terminera automatiquement à l'ouverture de la porte.

### **Prêt pour les cartes de débit**

Ce sèche-linge a une commande conçue pour l'utilisation avec les cartes de débit, mais ce n'est pas le cas du sèche-linge.

## **PROCEDURES DE REGLAGE DU CONTROLE**

**IMPORTANT** : Lire toutes les instructions avant de faire fonctionner.

On utilise les touches de réglage des tissus en conjonction avec l'affichage numérique pour configurer les commandes du sèche-linge.

L'affichage peut contenir jusqu'à 4 nombres et/ou lettres et un point décimal. Ceux-ci sont utilisés pour indiquer les codes de réglage et les valeurs associées disponibles pour utilisation dans la programmation du sèche-linge.

### **Comment utiliser les touches pour programmer les commandes**

1. On utilise la touche WHITES AND COLORS (tissus blancs et de couleur) pour régler les valeurs associées avec les codes de configuration. Appuyer sur la touche augmentera la valeur par incréments de un (1). Le réglage rapide est possible en maintenant la touche enfoncée.

- La touche PERM. PRESS (apprêt permanent) vous permet d'avancer dans les codes de configuration. Appuyer sur la touche vous fera avancer au prochain code de réglage disponible. Maintenir la touche enfoncée pour avancer automatiquement dans les codes de réglage à une cadence de un (1) par seconde.
- On utilise la touche DELICATES (délicats) pour sélectionner ou désélectionner les options.

#### Pour démarrer la configuration fonctionnelle

- Modèles PD : Insérer la clé du panneau de service, tourner et soulever pour enlever le panneau d'accès.
- Modèles PN : Ôter le cavalier AA1 de la carte des circuits de commande (voir la procédure ci-dessous) ou utiliser le Code d'accès pour entretien ci-dessous. Après installation du lecteur de carte de débit (conformément aux instructions du fabricant du lecteur de carte), pour accéder au mode de configuration, insérer la carte de configuration manuel (fournie par le fabricant du lecteur de carte) dans la fente d'insertion de carte. Si une carte de configuration manuel n'est pas disponible, le mode de configuration manuel ne peut pas être initié. Par contre, le mode de diagnostic peut être initié en retirant le connecteur AA1 sur le circuit de commande.

**IMPORTANT :** On ne doit pas ouvrir la console avant d'avoir d'abord coupé l'alimentation du sèche-linge. Pour accéder au connecteur AA1 :

- Débrancher le sèche-linge ou couper l'alimentation.
  - Ouvrir la console, débrancher la fiche sur AA1, fermer la console.
  - Rebrancher le sèche-linge ou rétablir l'alimentation.
  - Modèles PN équipés d'un commutateur de programmation : Insérer la clé du panneau d'accès et la tourner dans le sens antihoraire.
  - Modèles PN avec lecteur de carte de débit de seconde génération : Après l'installation du lecteur de carte de débit de seconde génération (conformément aux instructions du fabricant du lecteur de carte), pour accéder au mode de configuration, insérer la carte de configuration manuelle (fournie par le fabricant du lecteur de carte) dans la fente d'insertion de carte.
- En l'absence de carte de configuration manuelle, seul le mode de diagnostic peut être initié.

- Autre méthode d'accès au mode de configuration en accédant au **Code d'accès pour entretien** : On peut entrer ce code pour accéder au mode de configuration sans retirer la console sur les sèche-linge juste enlevés du carton ou sans configuration de tarif. Il fonctionne uniquement sur les sèche-linge qui sont configurés pour un tarif de vente 0 sans configuration de tarif spécial, et l'option Pièce/Débit doit être réglée à "J\_d". Si le sèche-linge n'est pas en mode panne, la porte doit être ouverte pour poursuivre. En utilisant uniquement les trois touches du bas (numérotés 1, 2 et 3 de gauche à droite) :

- Appuyer sur 2 pendant plus de 2 secondes, mais moins de 10 secondes.
- Appuyer simultanément sur 1 et 3 pendant 2 secondes. L'afficheur montre S 3.
- Appuyer simultanément sur 1 et 2. L'afficheur montre S 4.
- Appuyer simultanément sur 2 et 3. L'afficheur montre S 5.
- Appuyer sur 2.
- Attendre au moins 2 secondes, mais pas plus que 15 secondes, puis appuyer successivement sur : 3, 2, 1, 3.

Le sèche-linge est maintenant au mode de configuration.

On doit noter avant de procéder que, en dépit des options disponibles, un propriétaire peut toujours choisir de débiter un sèche-linge commercial, le raccorder à l'alimentation et avoir tout de suite un sèche-linge fonctionnel. **REMARQUE :** Avant la mise en service, un système de paiement ou un ensemble OPL doit être installé sur les modèles PD.

- Les sèche-linge PD sont pré-réglés à l'usine pour un tarif de programme fixe avec durée supplémentaire.
- Les sèche-linge PN sont pré-réglés à l'usine pour un fonctionnement de programme fixe; les sèche-linge peuvent donc fonctionner sans paiement.

## AFFICHAGE

Une fois que le sèche-linge sera installé et branché, l'affichage indiquera "0 minutes".

Une fois que le sèche-linge aura été branché et que l'on aura ouvert puis fermé la porte, l'affichage indiquera le tarif de vente. Les modèles PN sont pré-réglés à l'usine pour les programmes gratuits; l'affichage clignotera "SELECT CYCLE".

### Modèles PD



### Modèles PN



## CODES DE REGLAGE

POUR LES MODELES PN : Les codes de réglage sont les même que pour les modèles PD, sauf indication contraire.

Le code de configuration est indiqué par le ou les deux premiers caractères de gauche. La valeur de code de configuration est indiquée par les deux ou les trois caractères de droite.

**REMARQUE :** La première ligne de chaque code indique la configuration à l'usine.

| CODE           | EXPLICATION  |
|----------------|--|
| <del>505</del> | <b>TARIF DE PROGRAMME REGULIER</b>   |
| <del>505</del> | Ceci représente le nombre de pièces (pièce 1); réglable entre 0 et 39. (Voir la configuration b.xx de VALEUR DE LA PIECE 1). On avance de 0 à 39 en appuyant sur la touche WHITES AND COLORS. Configuré à l'usine pour 6 x pièce 1   |
| <del>500</del> | MODELES PN : Configuré à l'usine pour 6 00 (0 pièce).<br>→ Appuyer une fois sur la touche PERM. PRESS pour avancer au code suivant.  |
| <del>705</del> | <b>DURÉE DE SÉCHAGE RÉGULIER</b>   |
| <del>705</del> | Représente le nombre de minutes par pièce (pièce 1). Configuré à l'usine pour 5 minutes par pièce. Exemple : 6 pièces x 5 minutes = 30 minutes. En appuyant sur la touche WHITES AND COLORS, on peut ajuster la valeur entre 1 et 99 minutes.  |
| <del>745</del> | MODELES PN : Ceci représente la durée d'un programme gratuit. Exemple : "7 45" = 45 minutes.<br>→ Appuyer une fois sur la touche PERM. PRESS pour avancer au code suivant.   |
| <del>800</del> | <b>TYPE DE TARIF POUR LE SECHE-LINGE</b>   |
| <del>800</del> | Tarif de programme fixe avec durée supplémentaire. Pour une description détaillée, voir Information générale pour l'utilisateur.   |
| <del>8FC</del> | Programme fixe. Pour une description détaillée, voir Information générale pour l'utilisateur. Utiliser la touche DELICATES pour faire cette sélection. MODELES PN : Réglé à l'usine à FC.<br>→ Appuyer une fois sur la touche PERM. PRESS pour avancer au code suivant.                |
| <del>900</del> | <b>OPTION COMPTEUR DE PROGRAMME</b>  |
| <del>900</del> | Cette option peut être Sélectionnée ("ON") ou Pas sélectionnée ("OFF").  |
| <del>900</del> | Pas sélectionnée ("OFF").  |
| <del>90C</del> | Sélectionnée "ON" et incapacité de la désélectionner. Appuyer 3 fois consécutives sur la touche DELICATES pour sélectionner "ON". Une fois que "ON" est sélectionnée, on ne peut plus la désélectionner.<br>→ Appuyer une fois sur la touche PERM. PRESS pour avancer au code suivant. |

| CODE        | EXPLICATION   |
|-------------|---|
| <u>1.00</u> | <b>OPTION DE COMPTEUR D'ARGENT</b><br>Cette option est soit sélectionnée (SELECTED "ON") ou pas sélectionnée (NOT SELECTED "OFF").  |
| <u>1.00</u> | Pas sélectionnée "OFF".   |
| <u>1.00</u> | Sélectionnée "ON".<br>Appuyer 3 fois consécutives sur la touche DELICATES pour sélectionner "ON" et 3 fois consécutives pour l'enlever (pas sélectionné "OFF".) On réinitialise le compteur en passant de "OFF" à "ON".   |
| <u>1.00</u> | Sélectionnée "ON" et incapacité de la désélectionner.<br>Pour sélectionner "ON" et ne plus être capable de la désélectionner, sélectionner d'abord "ON", et en moins de 2 secondes, appuyer deux fois sur la touche DELICATES, puis 1 fois sur la touche WHITES AND COLORS et quitter le mode de configuration.<br>→ Appuyer une fois sur la touche PERM. PRESS pour avancer au code suivant. |
| <u>2.00</u> | <b>OPTION DE TARIF SPECIAL</b><br>Cette option est soit sélectionnée "ON" ou pas sélectionnée "OFF".  |
| <u>2.00</u> | Pas sélectionnée "OFF".   |
| <u>2.5P</u> | Sélectionnée "ON". Appuyer une fois sur la touche DELICATES pour cette sélection.<br><b>SI L'OPTION DE TARIF SPECIAL est sélectionnée, on a accès aux codes de "3." à "9."</b><br>→ Appuyer une fois sur la touche PERM. PRESS pour avancer au code suivant.  |

| OPTIONS A UTILISER SI LE TARIF SPECIAL EST SELECTIONNE : |   |
|--|---|
| <u>3.06</u>  | <b>TARIF DE PROGRAMME SPECIAL</b>   |
| <u>3.06</u>  | Représente le nombre de pièces (pièce 1); on peut l'ajuster entre 0 et 39. (Voir la configuration b.xx de VALEUR DE LA PIECE 1). Avancer de 0 à 39 en appuyant sur la touche WHITES AND COLORS. Préréglé à l'usine pour 6 x pièce 1.                          |
| <u>3.00</u>  | MODELES PN : Configuré à l'usine pour 0 pièce.<br>→ Appuyer une fois sur la touche PERM. PRESS pour avancer au code suivant.  |
| <u>4.05</u>  | <b>DUREE DE SECHAGE SPECIAL</b>   |
| <u>4.05</u>  | Représente le nombre de minutes par pièce (pièce 1).<br>Configuré à l'usine pour 5 minutes par pièce.<br>Exemple : 6 pièces x 5 minutes = 30 minutes.<br>En appuyant sur la touche WHITES AND COLORS, on peut régler la valeur entre 1 et 99 minutes.         |
| <u>4.45</u>  | MODELES PN : Ceci représente la durée d'un programme gratuit. Exemple : "4 45" = 45 minutes.<br>→ Appuyer une fois sur la touche PERM. PRESS pour avancer au code suivant.  |
| <u>5.00</u>  | <b>HORLOGE HEURE DU JOUR, MINUTES</b>   |
| <u>5.00</u>  | Ceci correspond au réglage des minutes pour TIME-OF-DAY CLOCK (horloge heure du jour) ; on peut sélectionner entre 0 et 59 minutes en appuyant sur la touche WHITES AND COLORS.<br>→ Appuyer une fois sur la touche PERM. PRESS pour avancer au code suivant. |
| <u>6.00</u>  | <b>HORLOGE HEURE DU JOUR, HEURES</b><br><b>REMARQUE :</b> Utilise une horloge de 24 heures.   |
| <u>6.00</u>  | Ceci correspond au réglage de l'heure de TIME-OF-DAY CLOCK, on peut sélectionner entre 0 et 23 heures en appuyant sur la touche WHITES AND COLORS.<br>→ Appuyer une fois sur la touche PERM. PRESS pour avancer au code suivant.                              |

| CODE  | EXPLICATION  |
|---|--|
| <b>OPTIONS A UTILISER SI LE TARIF SPECIAL EST SELECTIONNE (suite) :</b> |  |
| <u>7.00</u>   | <b>HEURE DU DEBUT DU TARIF SPECIAL</b><br><b>REMARQUE :</b> Utilise une horloge de 24 heures.  |
| <u>7.00</u>   | Ceci correspond à l'heure du début, de 0 à 23 heures.<br>Sélectionner START HOUR (heure de début) en appuyant sur la touche WHITES AND COLORS.<br>→ Appuyer une fois sur la touche PERM. PRESS pour avancer au code suivant.   |
| <u>8.00</u>   | <b>HEURE DE LA FIN DU TARIF SPECIAL</b><br><b>REMARQUE :</b> Utilise une horloge de 24 heures.   |
| <u>8.00</u>   | Ceci correspond à l'heure de la fin, de 0 à 23 heures.<br>Sélectionner STOP HOUR (heure de la fin) en appuyant sur la touche WHITES AND COLORS.<br>→ Appuyer une fois sur la touche PERM. PRESS pour avancer au code suivant.  |
| <u>9.10</u>   | <b>JOUR A TARIF SPECIAL</b>  |
| <u>9.10</u>   | Cela représente le jour de la semaine et indique si le tarif spécial est sélectionné pour ce jour. Un nombre suivi par "0" indique aucune sélection pour ce jour particulier (9.10). Un nombre suivi par un "S" indique que le tarif spécial est sélectionné pour ce jour (9.1S).<br>On peut choisir les jours de la semaine (1 à 7) en appuyant sur la touche WHITES AND COLORS. Appuyer une fois sur la touche DELICATES pour sélectionner le tarif spécial pour chaque jour choisi.<br>En quittant un code de configuration "9.", l'affichage doit indiquer le jour actuel de la semaine :<br>AFFICHAGE      JOUR DE LA SEMAINE      CODE (sélectionné)<br>10              Jour 1 = dimanche              1S<br>20              Jour 2 = lundi                    2S<br>30              Jour 3 = mardi                   3S<br>40              Jour 4 = mercredi               4S<br>50              Jour 5 = jeudi                    5S<br>60              Jour 6 = vendredi               6S<br>70              Jour 7 = samedi                 7S<br>→ Appuyer une fois sur la touche PERM. PRESS pour avancer au code suivant. |

|             |  |
|-------------|--|
| <u>8.00</u> | <b>OPTION VOIR LA VOUTE</b><br>Cette option est soit sélectionnée "ON" ou pas sélectionnée "OFF".  |
| <u>8.00</u> | Pas sélectionnée "OFF".  |
| <u>8.50</u> | Sélectionnée "ON". Appuyer une fois sur DELICATES pour cette sélection. Lorsque sélectionnée, on peut voir l'argent et/ou le compte des programmes (si le comptage est sélectionné) lorsque la boîte à monnaie est enlevée.<br>→ Appuyer une fois sur la touche PERM. PRESS pour avancer au code suivant.  |
| <u>6.05</u> | <b>VALEUR DE LA PIECE 1</b>  |
| <u>6.05</u> | Ceci représente la valeur de la pièce 1 en incréments de 5 % de la valeur de la pièce la plus forte. 5 x 5 % = 25 %.<br>En appuyant sur la touche WHITES AND COLORS on a l'option de choisir 1 à 199 incréments de 5 %.<br>Avec une manoeuvre de la glissière d'insertion des pièces, ce paramètre présente le total du tarif de la vente.<br>→ Appuyer une fois sur la touche PERM. PRESS pour avancer au code suivant. |

| CODE        | EXPLICATION   |
|-------------|---|
| <u>C.20</u> | <b>VALEUR DE LA PIECE 2</b>   |
| <u>C.20</u> | Ceci représente la valeur de la pièce 2 en incréments de 5 % de la valeur de la pièce la plus forte. $20 \times 5\% = 100\%$ .<br>En appuyant sur la touche WHITES AND COLORS on a l'option de choisir 1 à 199 incréments de 5 %.   |
| <u>C.05</u> | MODELES PN : Ceci représente la valeur de la pièce 2 en incréments de 5 % de la valeur de la pièce la plus forte. Configuré à l'usine = $5 \times 5\%$ de la valeur de la pièce la plus forte.<br>MODELES PN AVEC UTILISATION DU DEBIT EVOLUE : Ceci représente la valeur de temps additionnel en incréments de 5 % de la valeur de la pièce la plus forte. Configuré à l'usine = $5 \times 5\%$ de la valeur de la pièce la plus forte.<br>→ Appuyer une fois sur la touche PERM. PRESS pour avancer au code suivant.  |
| <u>d.00</u> | <b>OPTION DE BOITE DE MONNAIE A GLISSIERE</b><br>Cette option est soit sélectionnée "ON" ou pas sélectionnée "OFF". Le boîtier du compteur doit être replacé pour le montage de boîte de monnaie à glissière.   |
| <u>d.00</u> | Pas sélectionné "OFF".  |
| <u>d.25</u> | Sélectionné "ON".<br><b>REMARQUE :</b> Cette option devrait être réglée à "00" à moins que le boîtier du compteur ait été changé pour un dispositif de boîte de monnaie à glissière.<br>Appuyer 3 fois consécutives sur la touche DELICATES pour cette sélection. Lorsqu'on sélectionne le mode de boîte de monnaie à glissière, sélectionner une valeur "b." égale à la valeur de la glissière, en pièces. Régler "6 xx" (TARIF DE PROGRAMME REGULIER) et "3.xx" (TARIF DE PROGRAMME SPECIAL) pour le nombre de manoeuvres de la glissière. $6 \text{ 01} \text{ et } 3 \text{ 01} = 1$ manoeuvre de la glissière.<br><b>REMARQUE :</b> Si l'installateur sélectionne la configuration "CS" sur un modèle à pièces, le sèche-linge n'enregistrera pas les pièces insérées.<br>→ Appuyer une fois sur la touche PERM. PRESS pour avancer au code suivant. |
| <u>E.00</u> | <b>OPTION AJOUTER PIECES</b><br>Cette option est soit sélectionnée "ON" ou pas sélectionnée "OFF". Cette option amène l'afficheur pour la clientèle à montrer le nombre de pièces (pièce 1) à insérer, plutôt que d'un montant monétaire.   |
| <u>E.00</u> | Pas sélectionné "OFF".  |
| <u>E.AC</u> | Sélectionné "ON".<br>Appuyer 3 fois consécutives sur la touche DELICATES pour cette sélection.<br>MODELES PN : On ne peut pas sélectionner cette option.<br>→ Appuyer une fois sur la touche PERM. PRESS pour avancer au code suivant.  |
| <u>J.Ed</u> | <b>OPTION PIECE / ENTREE DE DEBIT</b>   |
| <u>J.Ed</u> | Les 2 sélectionnés (pièce et débit). (NON DISPONIBLE)   |
| <u>J.C_</u> | Pièces sélectionné, débit désactivé.<br>Appuyer 3 fois consécutives sur la touche DELICATES pour cette sélection.   |
| <u>J._d</u> | Entrée de débit sélectionnée, pièces désactivé. La configuration à l'usine pour les modèles PN et leur fonctionnement doit être réglée à J._d.<br>Appuyer 3 fois consécutives sur la touche DELICATES pour cette sélection.   |
| <u>J.Ed</u> | Débit évolué est sélectionné automatiquement lorsqu'un lecteur de carte de seconde génération est installé dans le sèche-linge. L'option "Ed" ne peut pas être sélectionnée ou désélectionnée manuellement. (NON DISPONIBLE)<br>→ Appuyer une fois sur la touche PERM. PRESS pour avancer au code suivant.  |

| CODE        | EXPLICATION   |
|-------------|---|
| <u>L.00</u> | <b>OPTION DE SUPPRESSION DE TARIF</b><br>Cette option est soit sélectionnée "ON" ou pas sélectionnée "OFF". Cette option amène l'affichage pour la clientèle à indiquer "DISPONIBLE" ou "AJOUTER" plutôt qu'un montant d'argent à ajouter. (Utilisé principalement dans les installations avec entrée de débit.)  |
| <u>L.00</u> | Pas sélectionné "OFF".  |
| <u>L.P5</u> | Sélectionné "ON". Appuyer une fois sur la touche DELICATES pour cette sélection.<br>→ Appuyer une fois sur la touche PERM. PRESS pour avancer au code suivant.  |
| <u>n.CE</u> | <b>OPTION EFFACER LE DEPOT</b><br>Cette option est soit sélectionnée "ON" ou pas sélectionnée "OFF". Lorsque sélectionnée, la monnaie gardée dans le dépôt pendant 30 minutes sans nouvelle activité de programme ou dans le dépôt sera effacée.  |
| <u>n.CE</u> | Sélectionné "ON".   |
| <u>n.00</u> | Pas sélectionné "OFF". Appuyer une fois sur la touche DELICATES pour désélectionner cette option.<br>→ Appuyer une fois sur la touche PERM. PRESS pour avancer au code suivant.   |
| <u>U.00</u> | <b>OFFSET D'INCREMENT EN CENTIEME</b>   |
| <u>U.00</u> | Ceci représente l'offset d'incrément de prix en centième tel qu'utilisé dans la seconde génération (débit évolué) dans la configuration des modèles PN avec lecteur de carte. Choisir entre 0 à 4 centièmes en appuyant sur la touche WHITES AND COLORS. (NON DISPONIBLE)<br>→ Appuyer une fois sur la touche PERM. PRESS pour avancer au code suivant. |

#### Si le compteur de programme (9.0C) est sélectionné, ce qui suit devient vrai :

|  |                                    |                                    |
|--|------------------------------------|------------------------------------|
| 1 00   | Représente le nombre de programmes | <u>1 02</u> = 200<br>EN CENTAINES. |
| 2 00   | Représente le nombre de programmes | <u>2 25</u> = 25<br>en UNITES.     |
| TOTAL = 225 programmes   |                                    |                                    |
| On peut "VOIR UNIQUEMENT" et on ne peut pas effacer.                     |                                    |                                    |
| Appuyer une fois sur la touche PERM. PRESS pour avancer au code suivant. |                                    |                                    |

#### Si le compteur d'argent (1.0C ou 1.C0) est sélectionné, ce qui suit est vrai :

|                |                                   |                      |
|----------------|-----------------------------------|----------------------|
| 3 00           | Quantités de devise en CENTAINES. | <u>3 01</u> = 100,00 |
| 4 00           | Quantités de devise en UNITES.    | <u>4 68</u> = 68,00  |
| 5 00           | Quantités de devise en CENTIEMES. | <u>5 75</u> = 00,75  |
| TOTAL = 168,75 |                                   |                      |

#### FIN DES PROCEDURES DE CONFIGURATION

#### QUITTER LE MODE DE CONFIGURATION

- MODELES PD : Réinstaller le panneau d'accès.
- MODELES PN où la fiche AA1 a été retirée :
  1. Déconnecter le sèche-linge ou déconnecter l'alimentation.
  2. Ouvrir la console, réinsérer le cavalier dans AA1, fermer la console.
  3. Rebrancher le sèche-linge ou rebrancher l'alimentation.
- PN AVEC COMMUTATEUR DE PROGRAMMATION : Tourner la clé dans le sens antihoraire et l'enlever.
- Si le Code d'accès pour entretien a été utilisé pour accéder au mode de configuration : A partir du code de configuration 8, appuyer sur la touche n° 1 pendant 4 secondes, attendre 2 minutes sans toucher aucune touche (avec les modes de diagnostic inactifs) ou éteindre le sèche-linge, puis le remettre sous tension.



# GARANTIE DE LAVE-LINGE, SÈCHE-LINGE, LAVE-LINGE ET SÈCHE-LINGE SUPERPOSÉS À USAGE COMMERCIAL, ENSEMBLE DE BUANDERIE SUPERPOSÉ À USAGE COMMERCIAL, ET LAVE-LINGE ET SÈCHE-LINGE À CHARGE MULTIPLE ET À USAGE COMMERCIAL PAYANTS MAYTAG®

---

## GARANTIE LIMITÉE SUR LES PIÈCES

Pendant les cinq premières années à compter de la date d'achat, lorsque cet appareil ménager à usage commercial est installé, entretenu et utilisé conformément aux instructions jointes ou fournies avec le produit, la marque Maytag de Whirlpool Corporation (ci-après désignée "Maytag") paiera pour les pièces spécifiées par l'usine ou pour les pièces originales du fabricant de l'équipement pour corriger tout vice de matériau ou de fabrication. Une preuve de la date d'achat d'origine est exigée pour obtenir un service dans le cadre de la présente garantie.

---

## MAYTAG NE PRENDRA PAS EN CHARGE :

1. Tout autre coût y compris la main-d'œuvre, le transport ou les droits de douane.
2. Les visites de service pour rectifier l'installation de l'appareil ménager à usage commercial, montrer à l'utilisateur comment utiliser l'appareil ménager à usage commercial, remplacer ou réparer des fusibles ou rectifier le câblage ou la plomberie du domicile.
3. Les réparations lorsque l'appareil ménager à usage commercial est utilisé à des fins autres qu'un usage commercial normal.
4. Les dommages imputables à : mauvaise manipulation du produit lors de la livraison, vol, accident, modification, usage impropre ou abusif, incendie, inondation, actes de Dieu, installation fautive ou installation non conforme aux codes locaux d'électricité ou de plomberie, ou l'utilisation de produits non approuvés par Maytag.
5. Le ramassage et la livraison. Cet appareil ménager à usage commercial est conçu pour être réparé sur site.
6. Les réparations aux pièces ou systèmes résultant d'une modification non autorisée faite à l'appareil ménager à usage commercial.
7. L'enlèvement et la réinstallation de l'appareil ménager à usage commercial si celui-ci est installé dans un endroit inaccessible ou n'est pas installé conformément aux instructions d'installation fournies.
8. Aucun dommage dû à des produits chimiques n'est couvert par la garantie.
9. Des modifications apportées à l'immeuble, à la pièce ou aux lieux afin de permettre à l'appareil ménager à usage commercial de fonctionner correctement.
10. Réparations effectuées par un technicien de réparation non agréé par Whirlpool.

---

## CLAUSE D'EXONÉRATION DE RESPONSABILITÉ AU TITRE DES GARANTIES IMPLICITES; LIMITATION DES RECOURS

LE SEUL ET EXCLUSIF RECOURS DU CLIENT DANS LE CADRE DE LA PRÉSENTE GARANTIE LIMITÉE CONSISTE EN LA RÉPARATION PRÉVUE CI-DESSUS. LES GARANTIES IMPLICITES, Y COMPRIS LES GARANTIES APPLICABLES DE QUALITÉ MARCHANDE OU D'APTITUDE À UN USAGE PARTICULIER, SONT LIMITÉES À UN AN OU À LA PLUS COURTE PÉRIODE AUTORISÉE PAR LA LOI. WHIRLPOOL N'ASSUME AUCUNE RESPONSABILITÉ POUR LES DOMMAGES FORTUITS OU INDIRECTS. CERTAINES JURIDICTIONS NE PERMETTENT PAS L'EXCLUSION OU LA LIMITATION DES DOMMAGES FORTUITS OU INDIRECTS, OU LES LIMITATIONS DE LA DURÉE DES GARANTIES IMPLICITES DE QUALITÉ MARCHANDE OU D'APTITUDE À UN USAGE PARTICULIER, DE SORTE QUE CES EXCLUSIONS OU LIMITATIONS PEUVENT NE PAS S'APPLIQUER DANS VOTRE CAS. CETTE GARANTIE VOUS CONFÈRE DES DROITS JURIDIQUES SPÉCIFIQUES ET VOUS POUVEZ ÉGALEMENT JOUIR D'AUTRES DROITS QUI PEUVENT VARIER D'UNE JURIDICTION À UNE AUTRE.

---

Si vous avez besoin de service, veuillez contacter votre distributeur autorisé de buanderie à usage commercial Maytag®. Pour localiser votre distributeur autorisé de buanderie à usage commercial Maytag® ou pour toute question via internet, consulter : [www.MaytagCommercialLaundry.com](http://www.MaytagCommercialLaundry.com).

Pour toute correspondance écrite :  
Maytag® Commercial Laundry Service Department  
2000 M-63 North  
Benton Harbor, Michigan 49022 USA

# SEGURIDAD DE LA SECADORA

## Su seguridad y la seguridad de los demás es muy importante

Hemos incluido muchos mensajes importantes de seguridad en este manual y en su electrodoméstico. Lea y obedezca siempre todos los mensajes de seguridad.



Este es el símbolo de advertencia de seguridad.

Este símbolo le llama la atención sobre peligros potenciales que pueden ocasionar la muerte o una lesión a usted y a los demás. Todos los mensajes de seguridad irán a continuación del símbolo de advertencia de seguridad y de la palabra "PELIGRO" o "ADVERTENCIA".

Estas palabras significan:

**⚠ PELIGRO**

Si no sigue las instrucciones de inmediato, usted puede morir o sufrir una lesión grave.

**⚠ ADVERTENCIA**

Si no sigue las instrucciones, usted puede morir o sufrir una lesión grave.

Todos los mensajes de seguridad le dirán el peligro potencial, le dirán cómo reducir las posibilidades de sufrir una lesión y lo que puede suceder si no se siguen las instrucciones.

## PARA SU SEGURIDAD

1. NO USE NI GUARDE GASOLINA NI OTROS MATERIALES INFLAMABLES DENTRO DE ESTE APARATO NI CERCA DEL MISMO.
2. NO ROCÍE CON AEROSOLES EN LA PROXIMIDAD DE ESTE APARATO MIENTRAS ESTÉ EN FUNCIONAMIENTO.
3. NO MODIFIQUE ESTE APARATO.

**ADVERTENCIA:** Para su seguridad, la información en este manual debe ser observada para minimizar el riesgo de incendio o explosión, o para prevenir daños a propiedades, heridas o la muerte.

- No almacene ni use gasolina u otros vapores y líquidos inflamables cerca de éste o cualquier otro electrodoméstico.
- **PASOS QUE USTED DEBE SEGUIR SI HUELE A GAS:**
  - No trate de encender ningún electrodoméstico.
  - No toque ningún interruptor eléctrico; no use ningún teléfono en su edificio.
  - Despeje el cuarto, edificio, o zona de todos los ocupantes.
  - Llame inmediatamente a su distribuidor de gas desde el teléfono de un vecino. Siga las instrucciones de su proveedor de gas.
  - Si usted no localiza a su distribuidor de gas, llame a los bomberos.
- La instalación y el servicio deben realizarse por un instalador calificado, agencia de servicio, o distribuidor de gas.

## Nomenclatura del modelo

MDG Secadora Maytag gas

PN Control electrónico, sin pago

##(por ejemplo 25) Número del tipo de modelo

PD Control electrónico, listo para depósito de monedas

# ELIMINACIÓN DE LA SECADORA



Este electrodoméstico está marcado de acuerdo con la directiva europea 2002/96/EC sobre Residuos de Equipos Eléctricos y Electrónicos (Waste Electrical and Electronic Equipment - WEEE).

Asegurándose de que este producto será eliminado correctamente, usted ayudará a prevenir consecuencias negativas potenciales para el medio ambiente y la salud humana, que podrían causarse por el manejo inapropiado de este producto.

El símbolo sobre el producto, o en los documentos que acompañan al producto, indica que este electrodoméstico no puede tratarse como basura doméstica. Contrariamente, deberá ser entregado al punto de recogida correspondiente para el reciclado de equipos eléctricos y electrónicos.

La eliminación debe llevarse a cabo de acuerdo con las regulaciones ambientales locales para la eliminación de basura.

Para información más detallada acerca del tratamiento, recuperación y reciclado de este producto, por favor, contacte con su oficina municipal local, su servicio de eliminación de basura doméstica o la tienda donde compró el producto.

## REQUISITOS DE INSTALACIÓN

### Piezas y herramientas

Reúna las herramientas y piezas necesarias antes de comenzar la instalación. Lea y siga las instrucciones provistas con cualquiera de las herramientas enlistadas aquí.

#### Herramientas necesarias:

- Llave para tubos de 200 mm (8") ó 250 mm (10")
- Llave ajustable de 200 mm (8") ó 250 mm (10")
- Destornillador de hoja plana
- Destornillador Phillips
- Llave ajustable que se abra a 25 mm (1") o llave de cubo de cabeza hexagonal
- Nivel
- Llave de boca de 8 mm (5/16")
- Cuchillo para uso general
- Abrazaderas para ducto
- Pegamento para tuberías resistente a gas LP
- Pistola y masilla para calafateo (para instalar el nuevo ducto de escape)
- Pinzas
- Cuchillo para masilla de hoja dura

#### Piezas suministradas:

Retire la bolsa de piezas del tambor de la secadora. Verifique que estén todas las piezas.

- Cubiertas protectoras para patas (4)
- Patas de la secadora (4)
- Modelos PD: Leva para la cerradura de la puerta de servicio
- Modelos PN: Bisel del lector de tarjeta, bloque de alambres del lector de tarjeta, piezas de ferretería

**NOTA:** El diagrama del circuito para esta secadora está situado dentro del panel frontal inferior, en las hojas técnicas.

### Requisitos de ubicación

## ⚠ ADVERTENCIA



### Peligro de Explosión

**Mantenga los materiales y vapores inflamables, tales como la gasolina, alejados de la secadora.**

**No instale en un garage.**

**No seguir estas instrucciones puede ocasionar la muerte, explosión o incendio.**

#### Si va a instalar una secadora a gas:

**IMPORTANTE:** Observe todos los códigos y reglamentos aplicables.

- Verifique los requisitos del código: Algunos códigos limitan, o no permiten, la instalación de la secadora en garajes, armarios, o en dormitorios. Póngase en contacto con el inspector de construcciones de su localidad.
- Asegúrese de que los bordes inferiores del armario, además de los lados de la parte posterior e inferior de la secadora, estén libres de obstrucciones, para permitir el espacio adecuado de aberturas para la combustión de aire. Vea "Instrucciones para la instalación empotrada o en armario" más abajo para requisitos mínimos de instalación.
- No la instale sobre alfombra.

**NOTA:** No debe instalarse la secadora en un área en donde pueda estar expuesta al agua y/o a la intemperie.

## Instrucciones para la instalación empotrada o en armario

Esta secadora podrá instalarse en un área empotrada o en un armario. No debe instalarse esta secadora detrás de una puerta que se pueda cerrar con llave, una puerta corrediza o una puerta con bisagra del lado opuesto a la secadora.

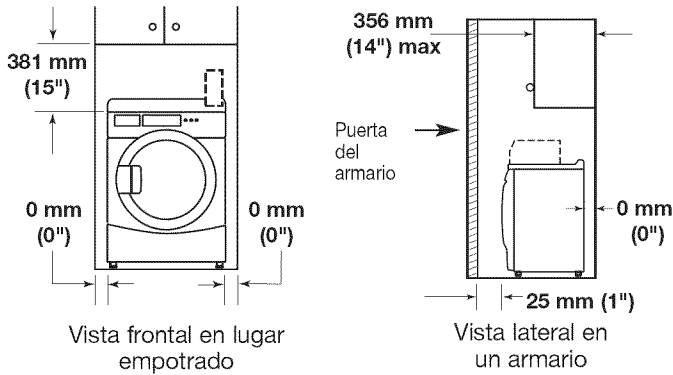
El espacio de instalación es en milímetros (pulgadas) y es el mínimo permitido. Debe considerarse espacio adicional para facilitar la instalación, el servicio técnico y el cumplimiento de los códigos y ordenanzas locales.

Si se instala la puerta del armario, se requieren aperturas mínimas de ventilación sin obstrucciones en la parte superior e inferior de la puerta. Se aceptan puertas tipo persianas con aperturas de aire equivalentes.

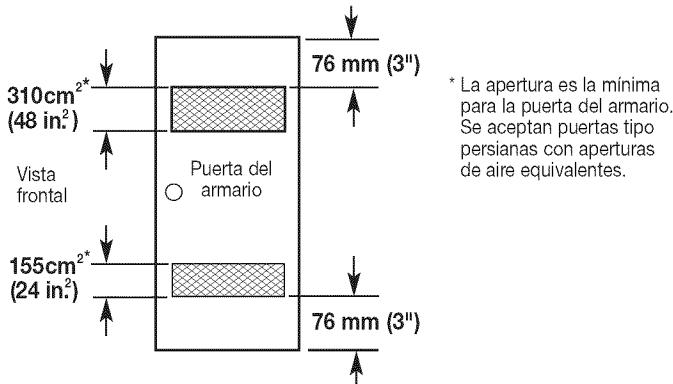
La secadora deberá ventilarse al exterior.

No se puede instalar otro electrodoméstico que usa combustible en el mismo armario en que se encuentra la secadora.

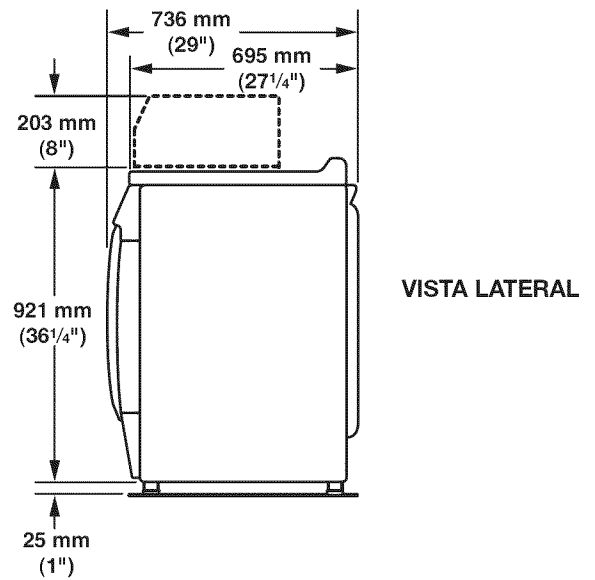
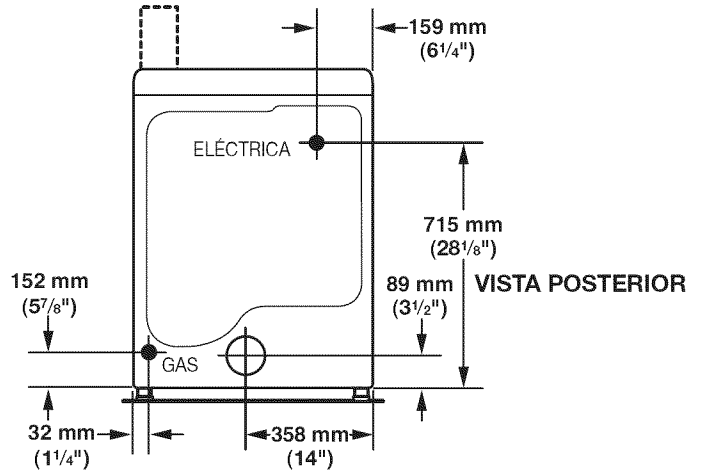
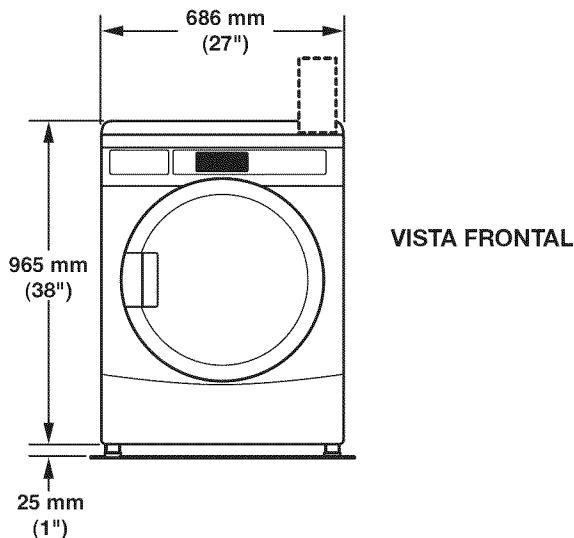
### Espacios mínimos para la instalación



Se podrían necesitar espacios libres adicionales para las molduras de la pared, de la puerta y del piso, o si se usa un codo externo de ventilación.

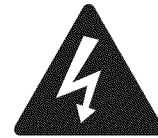


### Dimensiones del producto: Secadora de 686 mm (27")



### Requisitos eléctricos - Secadora a gas

## ⚠️ ADVERTENCIA



**Voltaje Peligoso**

**IMPORTANTE:** Observe todos los códigos y reglamentos aplicables. Necesitará un contacto con conexión a tierra ubicado a no más de 610 mm (2 pies) de cualquiera de los lados de la secadora.

Esta secadora está provista de un cable de suministro eléctrico y un enchufe europeo. Deberá ser conectada al receptáculo de suministro eléctrico con el voltaje que se muestra en la placa de clasificación. La capacidad mínima del fusible de suministro deberá ser de 5A. La secadora deberá colocarse de manera que el enchufe esté claramente visible y accesible. Este enchufe tiene también la función de control de parada de emergencia para el usuario. Si no se usa el enchufe provisto, la conexión eléctrica deberá llevarse a cabo por parte de un electricista capacitado, según los códigos locales o nacionales.

Si se ha dañado el cable de suministro, deberá reemplazarse con un cable especialmente terminado, por parte de un agente de servicio autorizado u otra persona similarmente calificada, para evitar un peligro. No use un adaptador.

No use un cable eléctrico de extensión.

**NOTA:** De acuerdo a la Directiva EMC Europea (2004/108/EC), la impedancia máxima del sistema de suministro de electricidad máxima a la cual la secadora a gas debe estar conectada es 0,054 Ohm + j0,034 Ohm.

**NOTA:** Estándares de seguridad sobre electricidad: El fabricante ha elegido cumplir con los estándares IEC/EN.60335 por ser los más apropiados para este producto.

## ⚠ ADVERTENCIA



### Peligro de descarga eléctrica

Se requiere una conexión eléctrica a tierra para esta secadora.

No haga la conexión a tierra sobre una tubería de gas.

No cambie el enchufe del cable de suministro de energía. Si no encaja en el contacto, consulte a un electricista competente para instalar un contacto adecuado.

No use un cable eléctrico de extensión con esta secadora.

No seguir estas instrucciones puede ocasionar la muerte, incendio o lesiones graves.

Si los códigos lo permiten y se emplea una ligadura de conexión a tierra adicional, es recomendable que un electricista calificado determine si la trayectoria de conexión a tierra de la ligadura es adecuada.

## INSTRUCCIONES PARA LA CONEXIÓN A TIERRA

- Para la conexión de una secadora mediante cable eléctrico conectado a tierra:

Esta secadora debe estar conectada a tierra. En el caso de funcionamiento defectuoso o avería, la conexión a tierra reducirá el riesgo de descarga eléctrica al proporcionar una vía de menor resistencia para la corriente eléctrica. Esta secadora usa un cable que cuenta con un conductor para la conexión a tierra del equipo y un enchufe de conexión a tierra. El enchufe debe conectarse en un contacto apropiado, que esté debidamente instalado y conectado a tierra de acuerdo con todos los códigos y ordenanzas locales.

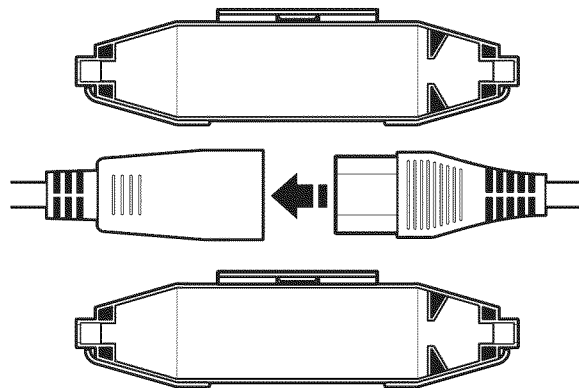
**ADVERTENCIA:** La conexión indebida del conductor para la conexión a tierra del equipo puede ocasionar un riesgo de descarga eléctrica. Si no está seguro de que la conexión a tierra de la secadora es la adecuada, verifíquela con un electricista o representante o personal de servicio competente. No modifique el enchufe provisto con la secadora: Si no encaja en el contacto, consulte con un electricista competente para instalar un contacto adecuado.

**GUARDE ESTAS INSTRUCCIONES**

## Cómo utilizar el cable universal provisto con esta secadora:

Esta secadora a gas está equipada con un cable universal que tiene clavijas intercambiables.

1. Para utilizar el cable universal, elija la punta de la clavija que encaje en su tomacorriente, y conéctelo al adaptador en el cable de suministro.
2. Asegure la punta de la clavija en el cable alineando las 2 mitades de la cubierta sobre el adaptador del cable, y sujetándolas.



## Requisitos del suministro de gas

## ⚠ ADVERTENCIA



### Peligro de explosión

Conecte esta secadora a un suministro regulado de gas. La presión de suministro debe estar de acuerdo con las Especificaciones técnicas (vea la última página).

Instale una válvula de cierre.

Apriete firmemente todas las conexiones de gas.

Si se conecta a LP, haga que una persona calificada se asegure de que la presión de gas es la correcta.

No seguir esta instrucción puede ocasionar la muerte, explosión o incendio.

**IMPORTANTE:** Observe todos los códigos y reglamentos aplicables.

## Suministro de gas

Antes de realizar la instalación, verifique que las condiciones locales de distribución de gas, la naturaleza del mismo y su presión, y el ajuste del electrodoméstico sean compatibles. La información sobre el quemador está ubicada en la placa con el número de modelo/serie, que está en el hueco de la puerta de la secadora. Si esta información no está de acuerdo con el tipo de gas disponible, vea a su distribuidor.

### Gas natural:

Esta secadora ha sido ajustada en fábrica para ser usada con GAS NATURAL (G20) y no debería necesitarse otro ajuste durante su instalación.

## Gas L.P.:

Esta secadora también está certificada para ser usada con gas L.P. (propano o butano) con la conversión adecuada. No se deberá intentar convertir el aparato del gas especificado en la placa indicadora del modelo/de la serie para utilizar un gas distinto sin consultar con el proveedor de gas.

La conversión deberá llevarla a cabo un técnico de servicio calificado. El juego de conversión de gas, pieza número W10233219, está disponible con su distribuidor. El juego incluye las instrucciones completas.

## Requisitos de la línea de suministro:

Provea una línea de suministro de gas de tubería rígida hacia la ubicación de la secadora. Debería tener un mínimo de 12,5 mm (1/2") de diámetro interno. Cuando sea aceptable para el proveedor de gas y los códigos locales, se podrá usar una línea de suministro rígida de 10 mm (3/8") de diámetro interno para longitudes menores de 6,1 m (20'). Deben usarse compuestos para uniones de tubería que sean resistentes a la acción del gas LP.

La conexión de gas a la secadora debe hacerse con una manguera para gas flexible adecuada para el electrodoméstico y la categoría de gas de acuerdo con las reglamentaciones nacionales de instalación. En caso de dudas, consulte con el proveedor de gas. Debe ser de un mínimo de 10 mm (3/8") de diámetro interno.

Se debe utilizar un medio de sujeción entre el electrodoméstico y la pared, para prevenir que se ejerza tensión en el suministro de gas rígido cuando se mueva el electrodoméstico. Se recomienda una cadena de longitud adecuada y un gancho de pared.

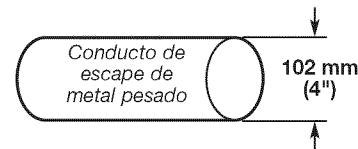
La conexión de entrada de gas a la secadora es una rosca de NPT 3/8". Se proporciona un adaptador para convertirla a una rosca según la norma ISO.228-1 (3/8" BSP).

Verifique si hay fugas utilizando una solución para detección de fugas que no sea corrosiva. Se observarán burbujas si hay fugas. Tape cualquier fuga que encuentre. Se ha provisto una conexión para medir la presión en la válvula de gas, la cual está ubicada dentro de la secadora, accesible después de haber retirado el panel frontal inferior.

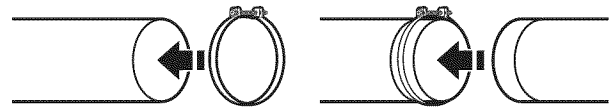
Durante cualquier prueba de presión del sistema, la secadora debe ser desconectada del sistema de tubería del suministro de gas.

incluyen una persiana ajustable, panel con bisagras u otro medio de ventilación que se abra directamente al aire exterior). Deberá proveerse una ventilación adecuada para evitar el contraflujo de gases de aparatos que consuman otros combustibles, incluidos fuegos abiertos, en la habitación (por ejemplo, el flujo de aire disponible que entre en la habitación deberá coincidir con el flujo de aire que sale de la misma).

- El diseño del sistema de tubería deberá ser tal que la condensación que se forme cuando el aparato esté en funcionamiento, quede retenida y se evapore posteriormente o se deseche. Al seguir estas instrucciones, este requisito se cumplirá adecuadamente.
- El conducto de escape de la secadora no debe conectarse en ningún conducto de escape de gas, chimenea, pared, techo, desván, espacio angosto o el espacio oculto de un edificio. Deberá usarse solamente un conducto de metal rígido o flexible para el escape.
- No use un conducto de escape de plástico con pestillo magnético.
- No instale el ducto de escape de metal flexible en paredes, techos o pisos encerrados.
- Sólo puede usarse un conducto de escape de metal pesado de 102 mm (4") y abrazaderas.



- Utilice abrazaderas para sellar todas las juntas. No debe conectarse ni asegurarse el ducto de escape con tornillos ni con ningún otro dispositivo que se extienda hacia el interior de dicho conducto y atrape pelusa. No utilice cinta para ductos.



## Requisitos de ventilación

### ⚠ ADVERTENCIA



#### Peligro de Incendio

**Use un ducto de escape de metal pesado.**

**No use un ducto de escape de plástico.**

**No use un ducto de escape de aluminio.**

**No seguir estas instrucciones puede ocasionar la muerte o incendio.**

**ADVERTENCIA:** Para reducir el riesgo de incendio, esta secadora DEBE VENTILARSE HACIA EL EXTERIOR.

- Cumplir con estos requisitos de ventilación minimizará el ruido proveniente del aire en los ductos.
- Las secadoras a gas deberán ser instaladas en una habitación solamente si la misma satisface los requisitos adecuados de ventilación especificados en las normas nacionales de instalación. Asegúrese de que la habitación donde esté la secadora tenga un buen suministro de aire para la combustión de gas y el funcionamiento de secado. Cuando la secadora se esté usando, deberá abrirse una ventana o algún medio de ventilación equivalente en la habitación donde esté en uso la secadora (entre las formas de abertura equivalentes se

**La ventilación inadecuada puede ocasionar la acumulación de humedad y pelusa en la casa, lo cual puede dar como resultado:**

- Daños de humedad en la carpintería, muebles, pintura, empapelado, alfombras, etc.
- Problemas en la limpieza de la casa y de salud.

**IMPORTANTE:** Observe todos los códigos y reglamentos aplicables.

Use un conducto de escape de metal pesado. No use conducto de escape de plástico o de hoja de metal.

Se recomienda un conducto de escape de metal rígido para un mejor desempeño en el secado y para evitar que se aplaste o se tuerza.

El ducto de escape de metal flexible debe extenderse y sostenerse por completo cuando la secadora está en su ubicación final. Quite el exceso del ducto de metal flexible para evitar que se doble y se tuerza, lo cual dará lugar a una reducción del flujo de aire y a un rendimiento insuficiente.

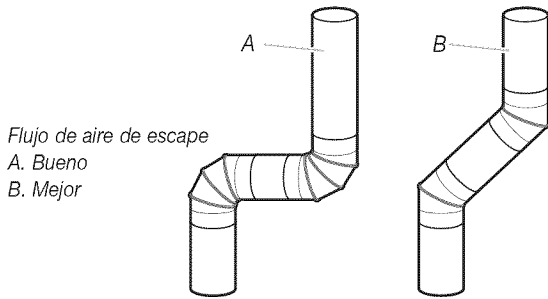
El largo total del conducto de escape de metal flexible no debe exceder 2,4 m (7¾ pies).

Una capota de ventilación debe tapar el ducto de escape para evitar el ingreso de roedores e insectos al edificio.

La capota de ventilación debe estar al menos a 305 mm (12") del piso o de cualquier objeto que pueda encontrarse en el paso del escape (tales como flores, piedras, arbustos o nieve).

Si se usa un sistema de ventilación existente, limpie la pelusa que está en toda la longitud del sistema y asegúrese de que la capota de ventilación no esté obstruida con pelusa. Reemplace cualquier ducto de escape de plástico o de hoja de metal por uno de metal rígido o flexible.

Planifique la instalación a fin de usar el menor número posible de codos y vueltas.



Cuando use codos o haga vueltas, deje todo el espacio que sea posible. Doble el ducto gradualmente para evitar torceduras.

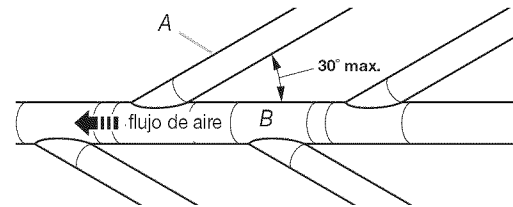
La salida de ventilación está ubicada en el centro de la parte posterior de la secadora inferior.

El ducto de escape puede ser dirigido hacia arriba, hacia abajo, a la izquierda, derecha, detrás de la secadora o directamente hacia atrás por la parte posterior de la misma.

- Un juego de compuerta de contratiro es necesario y está disponible de un distribuidor de ductos de lavandería comercial y debe instalarse en cada ducto de escape de las secadoras para evitar que el aire de escape regrese a las secadoras y para mantener el escape en balance con la ventilación principal. Se requieren aberturas de vuelta de aire sin obstrucción.

Cada ducto de escape debe entrar en la ventilación principal a un ángulo que apunte en la dirección del flujo de aire. Los ductos de escape que entren por el lado opuesto deben alternarse para lograr que el aire de escape reduzca su interferencia con otros ductos de escape.

El ángulo máximo de cada ducto que entra en el ducto principal deberá ser no más de 30°.

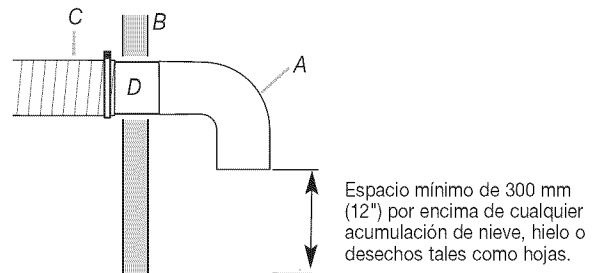


A. Conducto de escape individual de la secadora  
B. Conducto principal

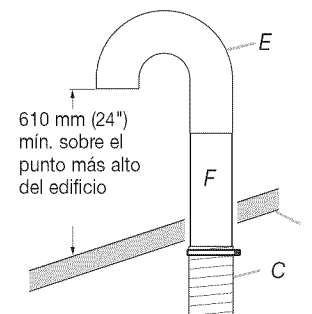
Mantenga las aberturas de aire libres de los gases de los líquidos de limpieza en seco. Los gases producen ácidos, los cuales pueden dañar las secadoras y los artículos que se estén secando cuando pasan a través de las unidades de calentamiento de las secadoras.

Debe ubicarse una cubierta de limpieza en el ducto principal para una limpieza periódica del sistema de ventilación.

**Si no puede usarse una capota de ventilación:**



- A. Capota de ventilación o codo
- B. Pared
- C. Conducto colector principal
- D. Conducto horizontal
- E. Codo curvado a 180°
- F. Conducto vertical
- G. Techo



El extremo exterior de la ventilación principal debe tener un codo curvado dirigido hacia abajo. Si el ducto principal viaja verticalmente a través del techo, en lugar de la pared, instale un codo curvado a 180° en el extremo del ducto de escape, por lo menos a 610 mm (2 pies) sobre la parte más alta del edificio. La abertura de la pared o del techo debe tener un diámetro de 13 mm (1/2") más grande que el diámetro del ducto. El ducto debe estar centrado en la abertura.

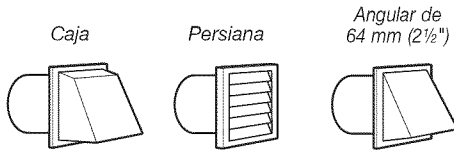
No instale una malla metálica ni una tapa sobre el extremo del ducto.

**Largo del sistema de ventilación**

La longitud máxima del sistema de ventilación depende del tipo de ducto que se use, el número de codos y el tipo de capota de ventilación.

**Longitud máxima del conducto de escape**

Capotas de ventilación de 102 mm (4")



Conducto de escape de metal rígido

| Nº de vueltas de 90° | Capota de ventilación tipo caja y tipo persiana | Capota de ventilación angular |
|----------------------|---|-------------------------------|
| 0                    | 39,6 m (130 pies)                               | 39,3 m (129 pies)             |
| 1                    | 38,1 m (125 pies)                               | 36,3 m (119 pies)             |
| 2                    | 35,1 m (115 pies)                               | 33,2 m (109 pies)             |
| 3                    | 32,3 m (106 pies)                               | 30,5 m (100 pies)             |
| 4                    | 29,9 m (98 pies)                                | 28 m (92 pies)                |

Si la secadora está instalada en un área cerrada tal como un dormitorio, baño o armario, deberán tomarse las provisiones necesarias para que haya aire suficiente para la combustión y la ventilación. (Verifique los códigos y reglamentos aplicables.) Vea "Instrucciones para la instalación empotrada o en armario" en la sección "Requisitos de ubicación".

Se prefiere una capota de salida de 102 mm (4"). Aún así, podrá usarse una salida de escape de 64 mm (2 1/2"). Una salida de 64 mm (2 1/2") ocasiona mayor contrapresión que los otros tipos de capotas. Para una instalación permanente, se necesita un sistema fijo de ventilación.

**Ventilación para múltiples secadoras**

- Puede usarse un ducto principal para ventilar un grupo de secadoras. La ventilación principal debe ser del tamaño como para eliminar 5663 l/min (200 pies cúbicos por minuto) de aire por secadora. Pueden usarse filtros de pelusa de gran capacidad con diseño apropiado en la ventilación principal si se revisan y se limpian frecuentemente. La habitación en donde estén ubicadas las secadoras deberá tener aire suficiente o mayor de todas las secadoras en la habitación.

# INSTRUCCIONES DE INSTALACIÓN - SECADORA A GAS

## Instalación de las patas niveladoras

### **⚠ ADVERTENCIA**

#### **Peligro de peso excesivo**

**Use dos o más personas para mover e instalar la secadora.**

**No seguir esta instrucción puede ocasionar una lesión en la espalda u otro tipo de lesiones.**

**NOTA:** Deslice la secadora sobre un pedazo de cartón o madera dura antes de moverla por el piso, para no dañar el acabado de éste.

1. Con la ayuda de dos o más personas, mueva la secadora al lugar deseado para su instalación.
2. Remueva la cinta de las esquinas frontales de la secadora. Abra la secadora y saque los paquetes que contienen la bolsa con el material impreso y las piezas. Limpie el interior del tambor minuciosamente con un paño húmedo.
3. Tome dos de los esquinales de cartón de la caja y colóquelos sobre el piso, en la parte posterior de la secadora. Sujete con firmeza el cuerpo de la secadora y colóquela cuidadosamente sobre su parte posterior, encima de los esquinales de cartón.
4. Con una de las patas a mano, fíjese en las ranuras para encontrar la marca en forma de diamante. Hasta ahí es donde la pata debe introducirse en el orificio.
5. Comience a atornillar las patas niveladoras en los orificios con la mano. (Use una pequeña cantidad de detergente líquido para lubricar las roscas del tornillo, y hacer de esa manera más fácil el girar las patas.) Use una llave de tuercas de 25 mm (1") o una llave de cubo para terminar de girar las patas, hasta llegar a la marca con forma de diamante. Luego haga encajar una cubierta protectora sobre cada pata.
6. Ahora ponga la secadora de pie.
7. Quite el cartón o madera que se encuentra debajo de la secadora. Incline las patas de la secadora hacia arriba o hacia abajo hasta que la misma quede nivelada.

## Conexión del suministro de gas

### **⚠ ADVERTENCIA**

#### **Peligro de peso excesivo**

**Use dos o más personas para mover e instalar la secadora.**

**No seguir esta instrucción puede ocasionar una lesión en la espalda u otro tipo de lesiones.**

1. Quite la tapa roja del tubo de gas.
2. Conecte la línea de suministro de gas a la secadora. Si la manguera de gas flexible tiene una rosca BSP de 3/8", use el adaptador de conversión de rosca provisto. Use un compuesto para juntas de tubería resistente a la acción de gas L.P. para conexiones de gas.  
Si es necesario para darle servicio, abra el panel de pie. Use un cuchillo para masilla para presionar los 2 seguros del panel, ubicados en la parte superior del panel de pie. Tire del panel de pie hacia abajo para abrir. El panel de pie tiene bisagras en la parte inferior.

3. Abra la válvula de cierre del suministro de gas y asegúrese de que el suministro de gas de la unidad está abierto.
4. Pruebe todas las conexiones aplicando con un cepillo una solución aprobada para detección de fugas que no sea corrosiva. Se observarán burbujas si hay fugas. Tape cualquier fuga que encuentre.

## Conexión del ducto de escape

1. Usando una abrazadera de 102 mm (4"), conecte el ducto de escape a la salida de aire en la secadora. Si se conecta a un ducto de escape existente, asegúrese de que el mismo esté limpio. El ducto de escape de la secadora debe encajar sobre la salida de aire de la secadora y dentro de la capota de ventilación. Cerciórese de que el ducto de escape esté asegurado a la capota de ventilación con una abrazadera de 102 mm (4").
2. Mueva la secadora a su posición final. No aplaste ni retuerza el ducto de escape. Asegúrese de que la secadora esté nivelada.
3. Asegúrese de que no haya torceduras en la línea de gas flexible.

## Complete la instalación

1. Con la secadora en su posición final, coloque un nivel sobre la secadora, primero de lado a lado; luego de adelante hacia atrás. Si la secadora no está nivelada, ajuste las patas de la secadora hacia arriba o hacia abajo hasta que esté nivelada.

### **⚠ ADVERTENCIA**



#### **Peligro de descarga eléctrica**

**Esta secadora debe estar conectada a tierra.**

**Apriete firmemente todas las conexiones eléctricas.**

**No seguir estas instrucciones puede causar la muerte, incendio, o descarga eléctrica.**

2. Enchufe en un contacto con puesta a tierra.
3. Revise el funcionamiento de la secadora:  
Presione el botón para seleccionar un ciclo completo y deje que la secadora funcione durante cinco minutos por lo menos. La secadora se detendrá cuando se haya terminado el tiempo.  
**NOTA:** La puerta de la secadora se debe cerrar para que la misma funcione. Cuando se abre la puerta, la secadora se detiene pero el temporizador continúa funcionando. Para hacer que la secadora empiece un ciclo de nuevo, cierre la puerta y presione el botón de un programa.
4. Si el quemador no se enciende y no siente calor dentro de la secadora, apáguela por 5 minutos. Revise que todos los controles de la válvula de suministro de gas estén en la posición de "Encendido" (ON), y que el cable eléctrico esté enchufado. Repita la prueba de 5 minutos.



# INSTRUCCIONES DE MANTENIMIENTO

## Instrucciones de mantenimiento:

- Limpie el filtro de pelusa después de cada ciclo.
- Eliminación de pelusa acumulada (desconecte la secadora del suministro eléctrico y del gas antes de comenzar esta tarea):
  - En el interior de la carcasa de la secadora:  
Según el uso de la secadora, se debe quitar la pelusa cada 2 años, o con más frecuencia. La limpieza deberá efectuarla una persona calificada.
  - En el conducto de escape:  
Según el uso de la secadora, se debe quitar la pelusa cada 2 años, o con más frecuencia.

## Si la secadora no funciona, revise lo siguiente:

- Que el suministro eléctrico esté conectado.
- Que el cortacircuitos no se disparó o el fusible no está quemado.
- Que la puerta esté cerrada. Escuche detenidamente para oír cuando se activa el (los) interruptor(es) de la puerta.
- Que el botón del ciclo seleccionado se haya presionado con firmeza y la pantalla muestra la duración del ciclo.
- Revise que las válvulas de cierre del suministro de gas estén en la posición abierta.

## Si necesita ayuda:

Póngase en contacto con su distribuidor autorizado de secadoras comerciales de Maytag®, o visite: [www.MaytagCommercialLaundry.com](http://www.MaytagCommercialLaundry.com). Cuando llame, usted necesitará tener a mano el número del modelo y de serie de la secadora. Ambos números se encuentran en la placa de clasificación de serie que está ubicada en la secadora.

## ESPECIFICACIONES TÉCNICAS - SECADORA A GAS

|   |  |  |
|---|--|--|
| 220-240V~50Hz 1ph 3A máx. IP24 Capacidad de ropa: 9,0 kg. máx. Nivel de presión sonora, NPS: 58 dBA (rango de variación, kPa: +/-10 dBA) Peso total: 68 kg. máx.  |  |  |
| Ajustado en fábrica para GAS NATURAL: Tamaño del inyector: 2,2 mm<br>Capacidad calorífica bruta: 5,9 Kw   |  |  |
| País europeo:   | CH, CZ, CY, ES, GB, GR, HR, IE, IT, PT, SI, SK, TR | CY, CZ, DK, EE, FI, GR, HU, IT, NO, RO, SE, SK, TR |
| Categoría europea de gas:   | II <sub>2</sub> H3+                                | II <sub>2</sub> H3B/P                              |
| Tasa de flujo de gas:   | 0,562703 m <sup>3</sup> /hr                        | 0,562703 m <sup>3</sup> /hr                        |
| Presión de suministro (G20):  | 20 mbar  | 20 mbar  |
| Presión ajustada en fábrica:  | 7.4 mbar   | 7.4 mbar   |
| Con juego de conversión LPG: Tamaño del inyector: 1,25 mm<br>Capacidad calorífica bruta: 6,4 kW   |  |  |
| País europeo:   | CH, CZ, CY, ES, GB, GR, HR, IE, IT, PT, SI, SK, TR | CY, CZ, DK, EE, FI, GR, HU, IT, NO, RO, SE, SK, TR |
| Categoría europea de gas:   | II <sub>2</sub> H3+                                | II <sub>2</sub> H3B/P                              |
| Presión de suministro de gas butano (G30):  | 28-30 mbar   | 30 mbar  |
| Presión ajustada:   | N/A  | N/A  |
| Presión de suministro de gas propano (G31):   | 37 mbar  | 30 mbar  |
| Presión ajustada :  | N/A  | N/A  |
| <b>NOTA:</b> Juego de conversión: De gas natural a gas LP: Pieza número W10233219 de Whirlpool.<br>Fabricante: Whirlpool Corporation, Benton Harbor, Michigan 49022, U.S.A.<br>Sitio de fabricación: Whirlpool Corporation, 1300 Marion-Agosta Rd., Marion, OH 43302, U.S.A.<br>Representante de UE: Maytag UK Ltd., 2 St. Annes Blvd., Redhill, RH1 1AX, UK<br>y Bauknecht Hausgeräte GmbH, D-73614 Schorndorf |  |  |

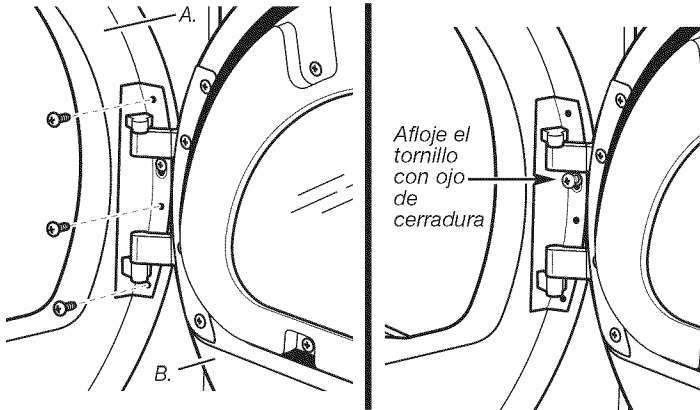
# CÓMO INVERTIR EL SENTIDO DE APERTURA DE LA PUERTA

Se puede invertir el sentido de apertura de la puerta del lado derecho al lado izquierdo, si lo desea.

Coloque una toalla o un paño suave sobre la secadora o la superficie de trabajo, para evitar dañar la superficie.

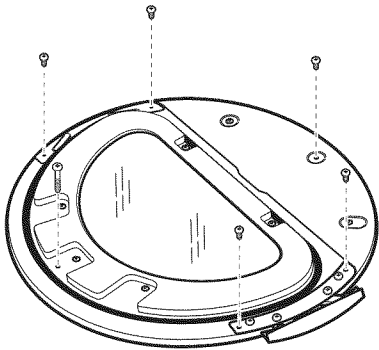
## Cómo quitar el ensamblaje de la puerta

1. Quite 3 de los 4 tornillos que sostienen la bisagra de la puerta sobre el panel frontal de la secadora. Afloje parcialmente el tornillo con ojo de cerradura restante y levante la puerta del tornillo para separarla.

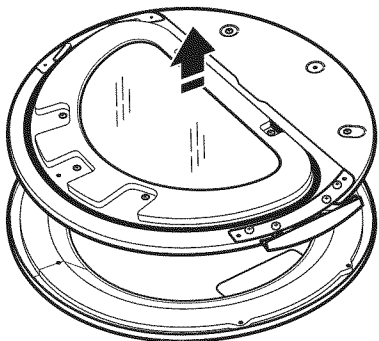


A. Panel frontal de la secadora  
B. Ensamblaje de la puerta

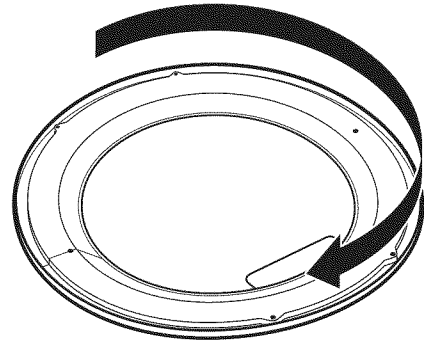
2. Coloque el ensamblaje de la puerta sobre una superficie plana previamente preparada, con el lado interior (ensamblaje interior de la puerta) mirando hacia arriba.
3. Quite los 6 tornillos Phillips para liberar el ensamblaje exterior de la puerta del ensamblaje interior de la puerta, como se indica a continuación. Vea la ilustración. Es importante que quite solamente los 6 tornillos indicados.



4. Levante el ensamblaje interior de la puerta y sáquelo del ensamblaje exterior de la puerta.

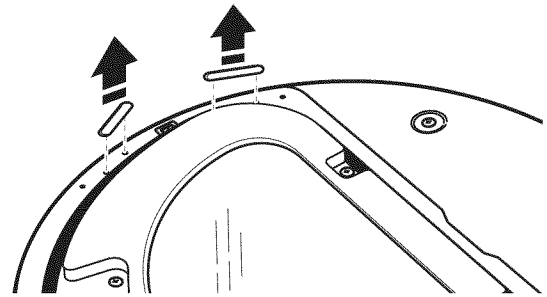


5. Gire la puerta exterior 180°.

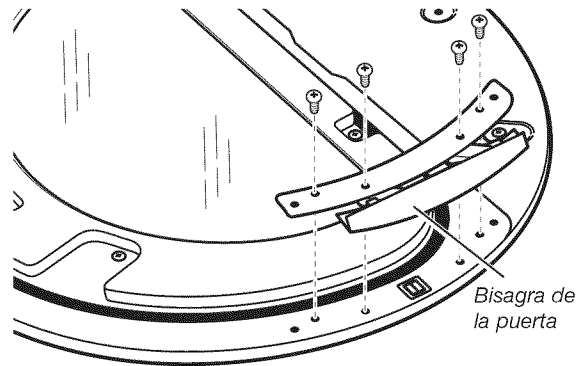


## Invierta la bisagra

1. Use un pequeño destornillador de hoja plana para quitar las 2 cintas de los tapones de la puerta interior. Deslice la cabeza del destornillador debajo de los tapones, siendo cuidadoso de no rayar la superficie interior de la secadora. Levántelos.

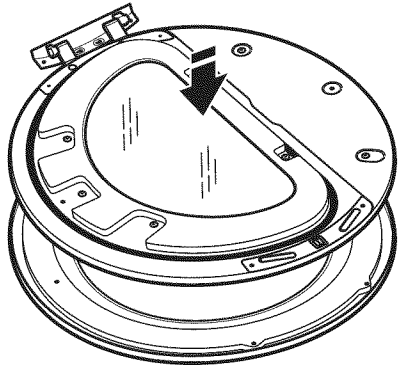


2. Quite los 4 tornillos que sostienen la bisagra de la puerta interior y mueva la bisagra al lado opuesto. Vuelva a instalar los 4 tornillos.

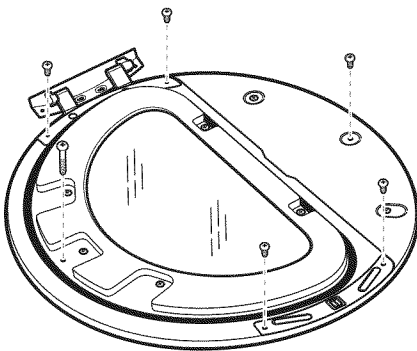


3. Reinstale las cintas de los tapones en el lado opuesto de la puerta interior.
4. Fíjese si hay huellas digitales en el vidrio. Limpie el vidrio si es necesario.

- Coloque el ensamblaje interior de la puerta dentro del ensamblaje exterior de la puerta. Para que encaje correctamente, el borde del ensamblaje interior de la puerta encaja completamente dentro del borde del ensamblaje exterior de la puerta.

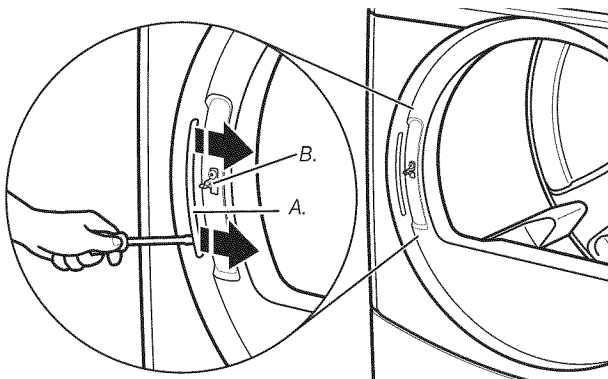


- Vuelva a colocar los ensamblajes interior y exterior de la puerta con los 6 tornillos.



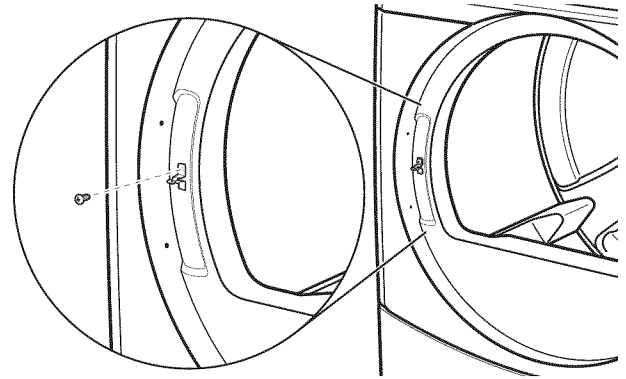
### Cómo invertir el tope

- Use un pequeño destornillador de hoja plana para quitar la cinta del tapón del lado de apertura de la puerta de la secadora. Deslice la cabeza del destornillador debajo de los tapones, siendo cuidadoso de no rayar la superficie de la secadora. Levante lentamente la tira de plástico de la secadora para evitar que se deforme la cinta del tapón.



A. Cinta de los tapones  
B. Tope de la puerta

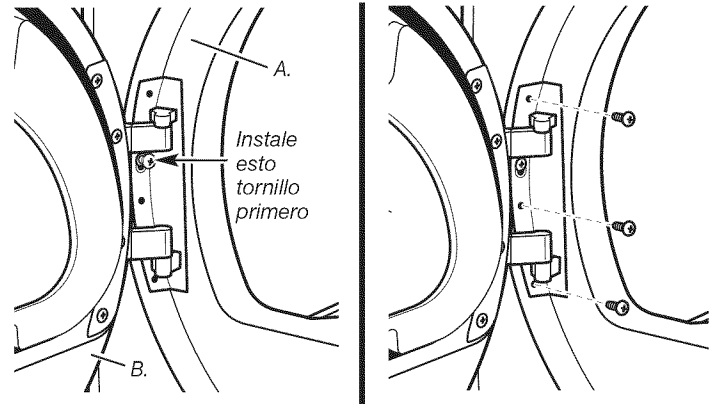
- Quite el tope con un destornillador Phillips.



- Instale el tope en el lado opuesto.

### Vuelva a instalar la puerta

- Vuelva a sujetar la puerta al panel frontal de la secadora con los 4 tornillos. Instale parcialmente el tornillo con ojo de cerradura primero y haga encajar el ojo de cerradura en la bisagra sobre el tornillo. Después instale los 3 tornillos restantes y apriete todos los 4 tornillos.



A. Panel frontal de la secadora  
B. Ensamblaje de la puerta

- Fíjese si hay huellas digitales en el vidrio. Limpie el vidrio si es necesario.
- Cierre la puerta y compruebe que se cierra con seguridad.

# PROGRAMACIÓN DEL CONTROL ELECTRÓNICO

## ⚠️ ADVERTENCIA



### Peligro de descarga eléctrica

Desconecte el suministro de energía antes de darle servicio.

Vuelva a colocar todas las piezas y paneles antes de ponerlo a funcionar.

No seguir esta instrucción puede ocasionar la muerte o descarga eléctrica.

## IMPORTANTE

### Descarga electrostática (DES) Componentes electrónicos sensibles

La descarga electrostática se encuentra presente en cualquier lugar. Las descargas electrostáticas pueden dañar o debilitar el ensamblaje del control electrónico. El nuevo ensamblaje del control puede parecer que funciona bien después de que se haya terminado la reparación, pero podrían ocurrir fallos en una fecha posterior debido a la tensión provocada por la descarga electrostática.

- Utilice una correa antiestática. Conecte la correa al punto verde de conexión a tierra, o a una parte de metal del aparato que no esté pintada.

-O BIEN-

Toque repetidamente con su dedo un punto verde de conexión a tierra, o a una parte de metal del aparato que no esté pintada.

- Antes de sacar la pieza de su paquete, toque con la bolsa antiestática un punto verde de conexión a tierra o una parte de metal del aparato que no esté pintada.
- Evite tocar las piezas electrónicas o los contactos de los terminales; manipule el ensamblaje del control electrónico solamente por los bordes.
- Cuando vuelva a empaquetar el ensamblaje del control electrónico que haya fallado en una bolsa antiestática, observe las instrucciones arriba mencionadas.

## INFORMACIÓN GENERAL PARA EL USUARIO

### Aparece “out of order” (fuera de servicio) en la pantalla

Esta condición indica que la secadora es inoperante. Al mensaje rotatorio le seguirá un código de diagnóstico o de fallo.

### Aparece “0 Minutes” (0 minutos) en la pantalla

Esta condición indica que el aparato no puede usarse. Las monedas que se hayan puesto o los ingresos de tarjeta de pago automático permanecerán en el depósito, pero no se pueden utilizar hasta que se abra y se cierre la puerta, lo cual reanuda el funcionamiento normal. Si un interruptor de una puerta falla, éste se debe reemplazar antes de que se pueda reanudar el funcionamiento normal.

### Inicio en frío (primer uso)

La secadora está programada de fábrica como se describe a continuación:

- Tiempo de secado de 45 minutos (modelos PN); tiempo de secado de 5 minutos/moneda (modelos PD).
- Precio de secado de 1,50 (ciclo fijo con tiempo adicional – modelos PD).
- Precio de secado de 0,00 (ciclo fijo – modelos PN).

### Inicio con calor (después de un corte de corriente)

Si un ciclo se encontraba funcionando cuando ocurrió un corte de corriente, unos segundos después de que la misma se reestablezca, destellará “RESELECT CYCLE” (Volver a elegir el ciclo) en la pantalla. Esto es para indicar la necesidad de que se presione un botón de selección de telas para reiniciar la secadora.

### Precios

Después de que se ha abierto y cerrado la puerta siguiendo la finalización de un ciclo, la pantalla indica el precio del ciclo (a menos que se haya programado para un funcionamiento gratuito). A medida que se depositan los pagos con moneda o con tarjeta de pago automático, la pantalla cambiará para guiar al usuario en la elección de un ciclo.

Hay cuatro (4) tipos de precios:

#### Precio fijo de “venta”

Una secadora que está programada para el funcionamiento de un “Ciclo fijo” solamente puede aceptar tiempo adicional que se haya acumulado en incrementos que sean igual a la duración de un ciclo de secado completo. Se puede comprar un máximo de 99 minutos y no se da crédito adicional cuando aparece 99 minutos en la pantalla.

#### Precio de acumulador

Si el precio se ha fijado a una moneda 1, el modo de acumulador se pone en efecto. El tiempo del ciclo se puede comprar con una moneda a la vez (modelos PD), hasta un tiempo máximo de 99 minutos.

#### Ciclo fijo con precio por tiempo adicional

Una secadora que esté programada con la habilidad de “Tiempo adicional”, permitirá que se agregue tiempo a un ciclo de secado existente, en incrementos que sean igual al número de minutos de secado por cada moneda (moneda 1), hasta 99 minutos, sin importar el costo requerido para poner la secadora en marcha. No se da crédito por monedas o tarjeta de pago automático cuando el control muestra 99 minutos en la pantalla.

Modelos PN programados como PR: En el modo mejorado de tarjeta de pago automático, el precio del tiempo adicional se puede fijar independientemente (vea VALOR DE LA MONEDA 2), y el tiempo adicional se calcula de acuerdo a la siguiente ecuación:

$$\frac{\text{precio por tiempo adicional}}{\text{precio de ciclo completo}} = \frac{\text{cantidad de tiempo adicional}}{\text{duración de ciclo completo}}$$

Los incrementos con céntimos no están permitidos en las compras de tiempo adicional.

### Modelos PN

El precio del ciclo ha sido prefijado de fábrica en cero. Cuando esto ocurre, aparecerá “SELECT CYCLE” (Seleccionar ciclo) en lugar del precio del ciclo. Cualquier ciclo que haya comenzado como un ciclo gratuito se terminará automáticamente cuando se abra la puerta.

### Listo para tarjeta de pago automático

Esta secadora tiene un control que está listo para tarjeta de pago automático, pero la secadora no lo está.

## PROCEDIMIENTOS DE PROGRAMACIÓN DEL CONTROL

**IMPORTANTE:** Lea todas las instrucciones antes de usar la secadora.

Los botones para la selección de telas y la pantalla digital se utilizan para programar los controles de la secadora.

En la pantalla se pueden mostrar 4 números y/o letras y un punto decimal. Éstos se usan para indicar los códigos de la programación y los valores relacionados de los códigos disponibles para la programación de la secadora.

## Cómo utilizar los botones para programar los controles

1. El botón WHITES AND COLORS (ropa blanca y de color) se utiliza para ajustar los valores asociados con los códigos de programación. El presionar el botón aumentará el valor en uno (1). Se pueden hacer ajustes rápidamente si se mantiene presionado el botón.
2. El botón PERM. PRESS (planchado permanente) le permitirá ver los códigos de programación. El presionar el botón le muestra el siguiente código de programación disponible. El mantener presionado el botón le muestra automáticamente todos los códigos de programación a una velocidad de uno (1) por segundo.
3. El botón DELICATES (ropa delicada) se usa para seleccionar o quitar opciones.

## Comience la programación de funcionamiento

- Modelos PD: Inserte la llave de la puerta de servicio, gírela y levante para quitar la puerta de acceso.
- Modelos PN: Quite el alambre de cierre AA1 del tablero de control; vea el procedimiento o use el código de acceso de servicio, que están a continuación. Una vez que se haya instalado el lector de tarjeta de pago automático (según las instrucciones del fabricante de lectores), se puede acceder al modo de programación insertando una tarjeta de programación manual (provista por el fabricante de lectores) en la ranura para tarjeta. Si no hay una tarjeta de programación manual disponible, no podrá acceder al modo manual de programación. Sin embargo, se puede acceder al modo de diagnóstico quitando el conector AA1 del tablero de circuitos.

**IMPORTANTE:** La consola no se debe de abrir a menos que se haya desconectado el suministro de energía a la secadora. Para tener acceso al conector AA1:

- Desenchufe la secadora o desconecte el suministro de energía.
- Abra la consola, desconecte el enchufe en AA1 y luego cierre la consola.
- Enchufe la secadora o reconecte el suministro de energía.

- Modelos PN equipados con interruptor de programación: Inserte la llave del panel de acceso y gírela en dirección contraria a las manecillas del reloj.
- Modelos PN con lector de tarjeta de pago automático de Generación 2: Una vez que se haya instalado el lector de tarjeta de pago automático de Generación 2 (según las instrucciones del fabricante de lectores), se puede acceder al modo de programación únicamente insertando una tarjeta de programación manual (provista por el fabricante de lectores) en la ranura para tarjeta. Si no hay una tarjeta de programación manual disponible, podrá acceder solamente al modo de diagnóstico.
- Método alternativo para acceder al modo de programación introduciendo el **código de acceso de servicio**: Puede introducir este código para tener acceso al modo de programación sin quitar la consola, en las secadoras que se hayan sacado recientemente de la caja o que no se hayan programado todavía. El código de acceso de servicio funciona solamente en secadoras preparadas para un precio de venta de 0 sin ninguna preparación de precio especial, y la opción de monedas/tarjeta de pago automático deberá fijarse en "J\_d". Si la secadora no está en modo de fallo, deberá abrirse la puerta para proceder. Usando solamente los tres botones inferiores (numerados con 1, 2 y 3 de izquierda a derecha):

1. Presione 2 durante más de 2 segundos pero menos de 10.
2. Presione simultáneamente 1 y 3 durante 2 segundos. La pantalla muestra S 3.
3. Presione simultáneamente 1 y 2. La pantalla muestra S 4.
4. Presione simultáneamente 2 y 3. La pantalla muestra S 5.
5. Presione 2.
6. Espere por lo menos 2 segundos pero no más de 15 segundos, luego presione en sucesión: 3, 2, 1, 3.

La secadora se encuentra ahora en el modo de programación.

Antes de continuar, es importante mencionar que a pesar de que haya muchas opciones disponibles, el dueño puede simplemente elegir el desempaquear una secadora comercial nueva, hacer las conexiones necesarias, conectarla al suministro de energía y tener una secadora que funcione. **NOTA:** Los modelos PD requieren un sistema de pago o que se instale un juego OPL previo al funcionamiento.

- Las secadoras PD se preparan previamente de fábrica para tener un precio fijo con tiempo adicional.
- Las secadoras PN se preparan previamente para una operación con ciclo fijo, de manera que se puedan poner a funcionar sin pago.

## PANTALLA

Después de que se ha instalado la secadora y se ha conectado al suministro de energía, la pantalla mostrará "0 minutos" (0 minutos).

Una vez que la secadora se ha conectado al suministro eléctrico y la puerta de la secadora se ha abierto y cerrado, la pantalla mostrará el precio de venta. Los modelos PN se preparan previamente de fábrica para una operación con ciclos gratuitos; la pantalla destellará "SELECT CYCLE".

## Modelos PD



## Modelos PN



## CÓDIGOS DE PROGRAMACIÓN

PARA LOS MODELOS PN: Los códigos de programación son los mismos que para los modelos PD salvo cuando se menciona lo contrario.

El código de programación se indica con uno o los dos caracteres al lado izquierdo. El valor del código de programación se indica con los dos o tres caracteres al lado derecho.

**NOTA:** El primer renglón de cada código indica el ajuste de fábrica.

| CÓDIGO   | EXPLICACIÓN  |
|--|--|
| 506  | <b>PRECIO DEL CICLO NORMAL</b>   |
| 506  | Representa el número de monedas (moneda 1); puede ajustarse de 0 a 39 (Vea la programación de b.xx de VALOR DE LA MONEDA 1). Avance de 0 a 39 presionando el botón de WHITES AND COLORS. Ajuste de fábrica de 6 x moneda 1.                        |
| 500  | MODELOS PN: Ajuste de fábrica de 6 00, o 0 monedas.  |
| → Presione el botón de PERM. PRESS una vez para avanzar al siguiente código. |  |
| 705  | <b>TIEMPO DE SECADO NORMAL</b>   |
| 705  | Representa el número de minutos por cada moneda (moneda 1). Ajuste de fábrica de 5 minutos por cada moneda. Ejemplo: 6 monedas x 5 minutos = 30 minutos. Usted puede ajustar el valor de 1 a 99 minutos presionando el botón de WHITES AND COLORS. |
| 745  | MODELOS PN: Representa la duración del ciclo para los ciclos gratuitos. Por ejemplo: "7 45" = 45 minutos.  |
| → Presione el botón de PERM. PRESS una vez para avanzar al siguiente código. |  |
| 800  | <b>TIPO DE PRECIOS DE SECADO</b>   |
| 800  | Ciclo fijo con tiempo adicional. Para ver una descripción detallada, vea Información general para el usuario.  |
| 8FC  | Ciclo fijo. Para ver una descripción detallada, vea Información general para el usuario. Use el botón de DELICATES para hacer esta selección. MODELOS PN: Ajuste de fábrica de FC (Ciclo fijo).  |
| → Presione el botón de PERM. PRESS una vez para avanzar al siguiente código. |  |
| 900  | <b>OPCIÓN DE CONTADOR DE CICLOS</b>  |
| 900  | Esta opción se SELECCIONA "ON" (Encendido), o NO SE SELECCIONA "OFF" (Apagado).  |
| 900  | No está seleccionado "OFF" (Apagado).  |
| 90C  | Se ha seleccionado "ON" (Encendido) y no se puede cancelar. Presione DELICATES 3 veces consecutivas para seleccionar "ON" (Encendido). Una vez que se seleccione "ON" (Encendido), no se puede cancelar la opción.                                 |
| → Presione el botón de PERM. PRESS una vez para avanzar al siguiente código. |  |

| CÓDIGO      | EXPLICACIÓN  |
|-------------|--|
| <u>1.00</u> | <b>OPCIÓN DE CONTADOR DE DINERO</b><br>Esta opción se SELECCIONA "ON" (Encendido), o NO SE SELECCIONA "OFF" (Apagado).   |
| <u>1.00</u> | No está seleccionado "OFF" (Apagado).  |
| <u>1.00</u> | Seleccionado "ON" (Encendido).<br>Presione DELICATES 3 veces consecutivas para seleccionar "ON" (Encendido) y 3 veces consecutivas para quitar la opción (No seleccionada "OFF" – Apagado). El contador pone la cuenta en cero cuando se cambia de "OFF" (Apagado) a "ON" (Encendido).   |
| <u>1.00</u> | Se ha seleccionado "ON" (Encendido) y no se puede cancelar.<br>Para seleccionar "ON" (Encendido) y que no se pueda cancelar, seleccione primero "ON", luego en menos de 2 segundos, presione dos veces el botón de DELICATES, de WHITES AND COLORS una vez y salga del modo de programación.<br>→ Presione el botón de PERM. PRESS una vez para avanzar al siguiente código. |
| <u>2.00</u> | <b>OPCIÓN DE PRECIOS ESPECIALES</b><br>Esta opción se SELECCIONA "ON" (Encendido), o NO SE SELECCIONA "OFF" (Apagado).   |
| <u>2.00</u> | No está seleccionado "OFF" (Apagado).  |
| <u>2.5P</u> | Seleccionado "ON" (Encendido). Presione el botón de DELICATES una vez para hacer esta selección.<br><b>Si se selecciona la OPCIÓN DE PRECIOS ESPECIALES, tendrá acceso a los códigos "3" a "9".</b><br>→ Presione el botón de PERM. PRESS una vez para avanzar al siguiente código.  |

| OPCIONES DISPONIBLES SI SE SELECCIONAN PRECIOS ESPECIALES: |  |
|--|--|
| <u>3.06</u>  | <b>PRECIO PARA CICLOS ESPECIALES</b>   |
| <u>3.06</u>  | Representa el número de monedas (moneda 1); puede ajustarse de 0 a 39. (Vea la programación de b.xx de VALOR DE LA MONEDA 1). Avance de 0 a 39 presionando el botón de WHITES AND COLORS. Ajuste de fábrica de 6 x moneda 1.                               |
| <u>3.00</u>  | MODELOS PN: Ajuste de fábrica de 0 monedas.<br>→ Presione el botón de PERM. PRESS una vez para avanzar al siguiente código.  |
| <u>4.05</u>  | <b>TIEMPO DE SECADO ESPECIAL</b>   |
| <u>4.05</u>  | Representa el número de minutos por cada moneda (moneda 1). Prefijado de fábrica para 5 minutos por cada moneda. Ejemplo: 6 monedas x 5 minutos = 30 minutos.<br>Usted puede ajustar el valor de 1 a 99 minutos presionando el botón de WHITES AND COLORS. |
| <u>4.45</u>  | MODELOS PN: Representa la duración del ciclo para los ciclos gratuitos. Por ejemplo: "4 45" = 45 minutos.<br>→ Presione el botón de PERM. PRESS una vez para avanzar al siguiente código.  |
| <u>5.00</u>  | <b>RELOJ DE HORA DEL DÍA, MINUTOS</b>  |
| <u>5.00</u>  | Este es el Reloj de la hora del día (TIME-OF-DAY-CLOCK), para ajustar los minutos; seleccione de 0 a 59 minutos presionando el botón de WHITES AND COLORS.<br>→ Presione el botón de PERM. PRESS una vez para avanzar al siguiente código.                 |
| <u>6.00</u>  | <b>RELOJ DE HORA DEL DÍA, HORAS</b><br><b>NOTA:</b> Usa un reloj de 24 hrs.  |
| <u>6.00</u>  | Este es el Reloj de la hora del día (TIME-OF-DAY-CLOCK), para ajustar las horas; seleccione de 0 a 23 horas presionando el botón de WHITES AND COLORS.<br>→ Presione el botón de PERM. PRESS una vez para avanzar al siguiente código.                     |
| <u>7.00</u>  | <b>HORA EN QUE EMPIEZA EL PRECIO ESPECIAL</b><br><b>NOTA:</b> Usa un reloj de 24 hrs.  |
| <u>7.00</u>  | Ésta es la hora de inicio, de 0 a 23 horas. Seleccione la Hora de inicio (START HOUR) presionando el botón de WHITES AND COLORS.<br>→ Presione el botón de PERM. PRESS una vez para avanzar al siguiente código.   |

| CÓDIGO   | EXPLICACIÓN   |          |                  |        |    |                 |    |    |               |    |    |                |    |    |                   |    |    |                |    |    |                 |    |    |                |    |
|--|---|----------|------------------|--------|----|-----------------|----|----|---------------|----|----|----------------|----|----|-------------------|----|----|----------------|----|----|-----------------|----|----|----------------|----|
| <b>OPCIONES DISPONIBLES SI SE SELECCIONAN PRECIOS ESPECIALES (cont.):</b>    |   |          |                  |        |    |                 |    |    |               |    |    |                |    |    |                   |    |    |                |    |    |                 |    |    |                |    |
| <u>8.00</u>  | <b>LA HORA EN QUE TERMINA EL PRECIO ESPECIAL</b><br><b>NOTA:</b> Usa un reloj de 24 hrs.  |          |                  |        |    |                 |    |    |               |    |    |                |    |    |                   |    |    |                |    |    |                 |    |    |                |    |
| <u>8.00</u>  | Ésta es la hora en que termina; de 0 a 23 horas. Seleccione la Hora de finalización (STOP HOUR) presionando el botón de WHITES AND COLORS.<br>→ Presione el botón de PERM. PRESS una vez para avanzar al siguiente código.  |          |                  |        |    |                 |    |    |               |    |    |                |    |    |                   |    |    |                |    |    |                 |    |    |                |    |
| <u>9.10</u>  | <b>DÍA DE PRECIO ESPECIAL</b>   |          |                  |        |    |                 |    |    |               |    |    |                |    |    |                   |    |    |                |    |    |                 |    |    |                |    |
| <u>9.10</u>  | Esto representa el día de la semana y si se ha seleccionado un precio especial para ese día. Un número seguido por un "0" indica que no se ha hecho una selección para ese día en particular (9.10). Un número seguido por la letra "S" indica que se ha hecho una selección para ese día (9.1S).<br>Los días de la semana (1 a 7) se pueden elegir presionando el botón de WHITES AND COLORS. Presione una vez el botón de DELICATES para seleccionar el precio especial para cada día elegido.<br>Cuando salga de la programación del código "9.", la pantalla debe mostrar el día de la semana actual:<br><table border="1" style="margin-left: auto; margin-right: auto;"> <thead> <tr> <th>PANTALLA</th> <th>DÍA DE LA SEMANA</th> <th>CÓDIGO</th> </tr> </thead> <tbody> <tr> <td>10</td> <td>día 1 = Domingo</td> <td>1S</td> </tr> <tr> <td>20</td> <td>día 2 = Lunes</td> <td>2S</td> </tr> <tr> <td>30</td> <td>día 3 = Martes</td> <td>3S</td> </tr> <tr> <td>40</td> <td>día 4 = Miércoles</td> <td>4S</td> </tr> <tr> <td>50</td> <td>día 5 = Jueves</td> <td>5S</td> </tr> <tr> <td>60</td> <td>día 6 = Viernes</td> <td>6S</td> </tr> <tr> <td>70</td> <td>día 7 = Sábado</td> <td>7S</td> </tr> </tbody> </table> | PANTALLA | DÍA DE LA SEMANA | CÓDIGO | 10 | día 1 = Domingo | 1S | 20 | día 2 = Lunes | 2S | 30 | día 3 = Martes | 3S | 40 | día 4 = Miércoles | 4S | 50 | día 5 = Jueves | 5S | 60 | día 6 = Viernes | 6S | 70 | día 7 = Sábado | 7S |
| PANTALLA   | DÍA DE LA SEMANA  | CÓDIGO   |                  |        |    |                 |    |    |               |    |    |                |    |    |                   |    |    |                |    |    |                 |    |    |                |    |
| 10   | día 1 = Domingo   | 1S       |                  |        |    |                 |    |    |               |    |    |                |    |    |                   |    |    |                |    |    |                 |    |    |                |    |
| 20   | día 2 = Lunes   | 2S       |                  |        |    |                 |    |    |               |    |    |                |    |    |                   |    |    |                |    |    |                 |    |    |                |    |
| 30   | día 3 = Martes  | 3S       |                  |        |    |                 |    |    |               |    |    |                |    |    |                   |    |    |                |    |    |                 |    |    |                |    |
| 40   | día 4 = Miércoles   | 4S       |                  |        |    |                 |    |    |               |    |    |                |    |    |                   |    |    |                |    |    |                 |    |    |                |    |
| 50   | día 5 = Jueves  | 5S       |                  |        |    |                 |    |    |               |    |    |                |    |    |                   |    |    |                |    |    |                 |    |    |                |    |
| 60   | día 6 = Viernes   | 6S       |                  |        |    |                 |    |    |               |    |    |                |    |    |                   |    |    |                |    |    |                 |    |    |                |    |
| 70   | día 7 = Sábado  | 7S       |                  |        |    |                 |    |    |               |    |    |                |    |    |                   |    |    |                |    |    |                 |    |    |                |    |
| → Presione el botón de PERM. PRESS una vez para avanzar al siguiente código. |   |          |                  |        |    |                 |    |    |               |    |    |                |    |    |                   |    |    |                |    |    |                 |    |    |                |    |

|             |   |
|-------------|---|
| <u>8.00</u> | <b>OPCIÓN PARA VER EL DEPÓSITO</b><br>Esta opción se SELECCIONA "ON" (Encendido), o NO SE SELECCIONA "OFF" (Apagado).   |
| <u>8.00</u> | No está seleccionado "OFF" (Apagado).   |
| <u>8.50</u> | Seleccionado "ON" (Encendido). Presione el botón de DELICATES una vez para hacer esta selección. Cuando se seleccione, se podrán ver los contadores de dinero y/o de ciclos (si se selecciona el contador), cuando se retire la caja de monedas.<br>→ Presione el botón de PERM. PRESS una vez para avanzar al siguiente código.  |
| <u>6.05</u> | <b>VALOR DE LA MONEDA 1</b>   |
| <u>6.05</u> | Esto representa el valor de la moneda 1 en la cantidad de incrementos de 5 % del mayor valor de moneda. $5 \times 5\% = 25\%$ .<br>Al presionar el botón de WHITES AND COLORS, hay una opción de seleccionar de 1 a 199 para la cantidad de incrementos de 5 %.<br>Con la activación del tragamonedas, esto representa el precio de venta total.<br>→ Presione el botón de PERM. PRESS una vez para avanzar al siguiente código.  |
| <u>6.20</u> | <b>VALOR DE LA MONEDA 2</b>   |
| <u>6.20</u> | Esto representa el valor de la moneda 2 en la cantidad de incrementos de 5 % del mayor valor de moneda. $20 \times 5\% = 100\%$ .<br>Al presionar el botón de WHITES AND COLORS, hay una opción de seleccionar de 1 a 199 para la cantidad de incrementos de 5 %.   |
| <u>6.05</u> | MODELOS PN: Esto representa el valor de la moneda 2 en la cantidad de incrementos de 5 % del mayor valor de moneda. Ajuste de fábrica = $5 \times 5\%$ del mayor valor de moneda.<br>MODELOS PN QUE USAN EL MODO MEJORADO PARA TARJETA DE PAGO AUTOMÁTICO: Esto representa el valor de tiempo adicional en la cantidad de incrementos de 5 % del mayor valor de moneda. Ajuste de fábrica = $5 \times 5\%$ del mayor valor de moneda.<br>→ Presione el botón de PERM. PRESS una vez para avanzar al siguiente código. |

| CÓDIGO      | EXPLICACIÓN   |
|-------------|---|
| <u>d.00</u> | <b>OPCIÓN DE TRAGAMONEDAS</b><br>Esta opción se SELECCIONA "ON" (Encendido), o NO SE SELECCIONA "OFF" (Apagado). Será necesario volver a colocar la caja del contador para el montaje del tragamonedas.   |
| <u>d.00</u> | No está seleccionado "OFF" (Apagado).   |
| <u>d.C5</u> | Seleccionado "ON" (Encendido).<br><b>NOTA:</b> Deberá fijarse esta opción en "00", a menos que se haya cambiado la caja del contador para aceptar un dispositivo tragamonedas.<br>Presione el botón de DELICATES 3 veces consecutivas para hacer esta selección. Cuando se selecciona el modo de tragamonedas, fije la "b." en un valor igual al del tragamonedas en monedas. Fije "6 xx" (PRECIO DEL CICLO NORMAL) y "3.xx" (PRECIO PARA CICLOS ESPECIALES) en el número de veces que funcione el tragamonedas. 6 01 y 3.01 = 1 empuje del tragamonedas.<br><b>NOTA:</b> Si un instalador programa "CS" en un modelo que funciona con depósito de monedas, éste no registrará monedas.<br>→ Presione el botón de PERM. PRESS una vez para avanzar al siguiente código. |
| <u>E.00</u> | <b>OPCIÓN DE AGREGAR MONEDAS</b><br>Esta opción se SELECCIONA "ON" (Encendido), o NO SE SELECCIONA "OFF" (Apagado). Esta opción hace que la pantalla del cliente muestre el número de monedas (moneda 1) que se deben poner, en lugar de la cantidad monetaria.   |
| <u>E.00</u> | No está seleccionado "OFF" (Apagado).   |
| <u>E.AC</u> | Seleccionado "ON" (Encendido).<br>Presione el botón de DELICATES 3 veces consecutivas para hacer esta selección.<br>MODELOS PN: Esta opción no se puede seleccionar.<br>→ Presione el botón de PERM. PRESS una vez para avanzar al siguiente código.  |
| <u>J.Ed</u> | <b>OPCIÓN DE MONEDA/PAGO AUTOMÁTICO</b>   |
| <u>J.Ed</u> | Se han seleccionado tanto moneda como el pago con tarjeta de pago automático. (NO ESTÁ DISPONIBLE)  |
| <u>J.L_</u> | Se seleccionó moneda y se desactivó el pago con tarjeta. Presione el botón de DELICATES para hacer esta selección.  |
| <u>J._d</u> | Tarjeta de pago automático seleccionada, pago con moneda desactivado. El ajuste de fábrica para los modelos PN, y para el funcionamiento de PN deberá fijarse en J._d.<br>Presione el botón de DELICATES para hacer esta selección.   |
| <u>J.Ed</u> | El modo mejorado para tarjeta de pago automático se elige por sí mismo cuando un lector de tarjeta de Generación 2 se instala en la secadora. La opción "Ed" no se puede seleccionar ni cancelar manualmente. (NO ESTÁ DISPONIBLE)<br>→ Presione el botón de PERM. PRESS una vez para avanzar al siguiente código.  |
| <u>L.00</u> | <b>OPCIÓN DE SUSPENSIÓN DE PRECIOS</b><br>Esta opción se SELECCIONA "ON" (Encendido), O NO SE SELECCIONA "OFF" (Apagado). Esta opción hace que la pantalla del cliente muestre "AVAILABLE" (Disponible) o "ADD" (Agregar), en lugar de la cantidad de dinero que hay que agregar. (Se usa principalmente en las instalaciones para tarjeta de pago automático.)   |
| <u>L.00</u> | No está seleccionado "OFF" (Apagado).   |
| <u>L.P5</u> | Seleccionado "ON" (Encendido). Presione el botón de DELICATES una vez para hacer esta selección.<br>→ Presione el botón de PERM. PRESS una vez para avanzar al siguiente código.  |

| CÓDIGO      | EXPLICACIÓN   |
|-------------|---|
| <u>n.CE</u> | <b>CÓMO DESPEJAR LA OPCIÓN DEL DEPÓSITO</b><br>Esta opción se SELECCIONA "ON" (Encendido), O NO SE SELECCIONA "OFF" (Apagado). Cuando se selecciona, si hay dinero en el depósito durante más de 30 minutos sin haberse seleccionado un ciclo y sin añadir más dinero, se borrará la información relativa al ciclo o al dinero que se haya introducido en el depósito.        |
| <u>n.CE</u> | Seleccionado "ON" (Encendido).  |
| <u>n.00</u> | No está seleccionado "OFF" (Apagado). Presione el botón de DELICATES una vez para cancelar esta opción.<br>→ Presione el botón de PERM. PRESS una vez para avanzar al siguiente código.   |
| <u>U.00</u> | <b>INCREMENTO DE CENTÉSIMOS</b>   |
| <u>U.00</u> | Esto representa los incrementos del precio con céntimos que se usa en los modelos PN de la Generación 2 (Modo mejorado para pago con tarjeta de pago automático) programados con lector de tarjeta. Elija de 0 a 4 centésimos presionando el botón de WHITES AND COLORS. (NO ESTÁ DISPONIBLE)<br>→ Presione el botón de PERM. PRESS una vez para avanzar al siguiente código. |

**Si se selecciona el contador de ciclos (9.0C), lo siguiente es verdad:**

|                    |   |                          |
|--------------------|---|--------------------------|
| 1 00               | Representa el número de ciclos en CIENTOS.  | $1 \underline{02} = 200$ |
| 2 00               | Representa el número de ciclos en UNIDADES. | $2 \underline{25} = 25$  |
| TOTAL = 225 ciclos |   |                          |

Esto es "SÓLO PARA VERSE" y no se puede despejar.

Presione el botón de PERM. PRESS una vez para avanzar al siguiente código.

**Si se selecciona el contador de dinero (1.0C ó 1.C0), lo siguiente es verdad:**

|                |                                    |                             |
|----------------|------------------------------------|-----------------------------|
| 3 00           | Cantidad de monedas en CIENTOS.    | $3 \underline{01} = 100,00$ |
| 4 00           | Cantidad de monedas en UNIDADES.   | $4 \underline{68} = 68,00$  |
| 5 00           | Cantidad de monedas en CENTÉSIMOS. | $5 \underline{75} = 00,75$  |
| TOTAL = 168,75 |                                    |                             |

## FIN DE LOS PROCEDIMIENTOS DE LA PROGRAMACIÓN

### CÓMO SALIR DEL MODO DE PROGRAMACIÓN

- MODELOS PD: Vuelva a instalar la puerta de acceso.
- MODELOS PN en los cuales se quitó el enchufe AA1:
  1. Desenchufe la secadora o desconecte el suministro de energía.
  2. Abra la consola, vuelva a conectar el alambre de cierre en AA1 y luego cierre la consola.
  3. Enchufe la secadora o reconecte el suministro de energía.
- PN CON INTERRUPTOR DE PROGRAMACIÓN: Gire la llave hacia la derecha y quítela.
- Si se ha usado el código de acceso de servicio para acceder al modo de programación: Desde el código 8 de programación, presione el botón nº 1 durante 4 segundos, espere 2 minutos sin tocar ningún botón (sin que estén funcionando los modos de diagnóstico) o apague la secadora y vuelva a encenderla.

---

# **GARANTÍA DE MAYTAG® PARA LAVADORA COMERCIAL, SECADORA, SECADORA/SECADORA APILADAS, APARATOS DE LAVANDERÍA COMERCIAL APILADOS, LAVADORAS Y SECADORAS COMERCIALES DE CARGAS MÚLTIPLES Y OPERADAS POR MONEDAS**

---

## **GARANTÍA LIMITADA EN LAS PIEZAS**

Durante los cinco primeros años a partir de la fecha de compra, siempre y cuando este aparato comercial haya sido instalado, mantenido y operado según las instrucciones adjuntas o provistas con el proconducto, la marca Maytag de Whirlpool Corporation (en lo sucesivo denominada "Maytag") se hará cargo de las piezas especificadas de fábrica o de las piezas originales del equipo del fabricante, para corregir defectos en los materiales o la mano de obra. Se requiere una prueba de la fecha de compra original para obtener servicio bajo esta garantía.

---

## **MAYTAG NO PAGARÁ POR LOS SIGUIENTES ARTÍCULOS:**

1. Todos los otros costos incluyendo mano de obra, transporte o derechos de aduana.
  2. Visitas de servicio técnico para corregir la instalación de su aparato comercial, para enseñarle a usar su aparato comercial, para cambiar o reparar fusibles o para corregir el cableado externo o la tubería.
  3. Reparaciones cuando su electrodoméstico comercial se use de un modo diferente al de un comercio normal.
  4. Daños causados por el manejo inapropiado del proconducto durante la entrega, robo, accidente, alteración, uso indebido, abuso, incendio, inundación, actos fortuitos, instalación incorrecta, instalación que no esté de acuerdo con los códigos eléctricos o de plomería locales, o el empleo de proconductos no aprobados por Maytag.
  5. Recogida y entrega. Este aparato comercial ha sido diseñado para ser reparado en su lugar.
  6. Reparaciones de piezas o sistemas como resultado de modificaciones no autorizadas que se hayan efectuado en el aparato comercial.
  7. La remoción y reinstalación de su aparato comercial, si estuviera instalado en un lugar inaccesible o si no estuviera instalado de conformidad con las instrucciones de instalación publicadas.
  8. Los daños ocasionados por proconductos químicos están excluidos de toda cobertura de la garantía.
  9. Cambios necesarios en el edificio, habitación o lugar para hacer que el aparato comercial funcione correctamente.
  10. Las reparaciones realizadas por un técnico de servicio que no sea autorizado por Whirlpool.
- 

## **EXCLUSIÓN DE GARANTÍAS IMPLÍCITAS; LIMITACIONES DE RECURSOS**

EL ÚNICO Y EXCLUSIVO RECURSO DEL CLIENTE SEGÚN LOS TÉRMINOS DE ESTA GARANTÍA LIMITADA SERÁ EL DE REPARAR EL PROCONDUCTO SEGÚN SE ESTIPULA EN LA PRESENTE. LAS GARANTÍAS IMPLÍCITAS, INCLUYENDO LAS GARANTÍAS DE COMERCIALIZACIÓN O DE IDONEIDAD PARA UN PROPÓSITO PARTICULAR, SERÁN LIMITADAS A UN AÑO O AL PERÍODO MÁS CORTO PERMITIDO POR LEY. WHIRLPOOL NO SE RESPONSABILIZARÁ POR DAÑOS INCIDENTALES O CONSECUENTES. ALGUNOS ESTADOS Y PROVINCIAS NO PERMITEN LA EXCLUSIÓN O LIMITACIÓN POR DAÑOS INCIDENTALES O CONSECUENTES, O LIMITACIONES ACERCA DE CUÁNTO DEBE DURAR UNA GARANTÍA IMPLÍCITA DE COMERCIALIZACIÓN O IDONEIDAD, DE MODO QUE LAS LIMITACIONES O EXCLUSIONES ARRIBA MENCIONADAS PUEDEN NO APLICARSE EN SU CASO. ESTA GARANTÍA LE OTORGA DERECHOS LEGALES ESPECÍFICOS Y ES POSIBLE QUE USTED TENGA TAMBIÉN OTROS DERECHOS QUE PUEDEN VARIAR DE UN ESTADO A OTRO O DE UNA PROVINCIA A OTRA.

---

Si usted necesita servicio técnico, póngase en contacto con su distribuidor autorizado de aparatos de lavandería comercial de Maytag®. Para ubicar a su distribuidor autorizado de aparatos de lavandería comercial de Maytag®, o para solicitar información por internet, visite [www.MaytagCommercialLaundry.com](http://www.MaytagCommercialLaundry.com).

Para enviar correspondencia por escrito:  
Maytag® Commercial Laundry Service Department  
2000 M-63 North  
Benton Harbor, Michigan 49022 USA



# SICUREZZA DELL'ASCIUGATRICE

## La sicurezza dell'utente e degli altri è fondamentale.

Il presente manuale e l'elettrodomestico stesso contengono numerosi importanti messaggi sulla sicurezza. Leggere e seguire sempre tutti i messaggi di sicurezza.



Questo è il simbolo che indica un pericolo.

Questo simbolo avverte l'utente dei possibili pericoli mortali per sé e per gli altri.

Tutti i messaggi di sicurezza sono contrassegnati dal simbolo di allarme sicurezza e dalle parole "PERICOLO" o "AVVERTENZA". Significato:

**⚠ PERICOLO**

Pericolo di morte o di lesioni gravi in caso di mancata osservanza immediata delle istruzioni.

**⚠ AVVERTENZA**

Pericolo di morte o di lesioni gravi in caso di mancata osservanza delle istruzioni.

Tutti i messaggi di sicurezza informano l'utente sulla tipologia del pericolo, su come ridurre il rischio di lesioni e su cosa può succedere in caso di mancata osservanza delle istruzioni.

## PER LA TUA SICUREZZA

1. NON UTILIZZARE O CONSERVARE BENZINA O ALTRI MATERIALI INFIAMMABILI NELL'APPARECCHIATURA O NELLE SUE VICINANZE.
2. NON SPRUZZARE L'AEROSOL NELLE VICINANZE DELL'APPARECCHIATURA QUANDO È IN FUNZIONE.
3. NON MODIFICARE L'APPARECCHIATURA.

**AVVERTENZA:** Per la vostra sicurezza, attenersi sempre alle informazioni contenute in questo manuale per ridurre i rischi di incendio o di esplosione e per prevenire danni alle cose, lesioni fisiche e rischio di morte

- Non lasciare o utilizzare benzina o altri gas o liquidi infiammabili nelle vicinanze a questo o di altri elettrodomestici.
- **COSA FARE SE SI SENTE ODORE DI GAS:**
  - Non accendere nessun apparecchio.
  - Non toccare alcun interruttore, non utilizzare il telefono nella propria abitazione.
  - Evacuare la stanza, l'abitazione o l'area.
  - Chiamare immediatamente il fornitore di gas dal telefono di un vicino. Seguire le istruzioni del fornitore di gas.
  - In caso non fosse possibile contattare il fornitore di gas, chiamare i vigili del fuoco.
- L'installazione e la manutenzione devono essere eseguite solo da un installatore qualificato, servizio di assistenza o dal fornitore del gas.

## Nomenclatura dei modelli

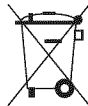
**MDG** Asciugatrice Maytag – Gas

**PN** a controllo elettronico – Non a pagamento

**##(es. 25)** Numero modello tipo

**PD** a controllo elettronico – Abilitato per inserimento monete

# L'ELIMINAZIONE DELL'ASCIUGATRICE



Questo elettrodomestico è stato contrassegnato in ottemperanza alla Direttiva Europea 2002/ 96/ EC sulle Attrezzature Elettriche ed Elettroniche da Smaltire (WEEE).

Assicurarsi che questo prodotto venga eliminato correttamente, in modo da evitare possibili conseguenze dannose per l'ambiente e la salute umana, che potrebbero altrimenti sorgere dalla gestione errata dello smaltimento dell'elettrodomestico stesso.

Il simbolo sul prodotto, o sui documenti che lo accompagnano, indica che questo elettrodomestico non deve essere trattato come un rifiuto domestico. Deve, al contrario, essere consegnato al punto di raccolta previsto per il riciclaggio di attrezzature elettriche ed elettroniche.

L'eliminazione deve essere eseguita in ottemperanza alle norme ambientali sullo smaltimento dei rifiuti.

Per ulteriori informazioni dettagliate sul trattamento, il recupero ed il riciclaggio di questo prodotto, si prega di contattare l'ufficio municipale più vicino, il servizio di smaltimento dei rifiuti domestici o il negozio dove è stato acquistato questo prodotto.

## REQUISITI D'INSTALLAZIONE

### Attrezzi e componenti

Raccogliere gli attrezzi e i componenti necessari prima di iniziare l'installazione. Leggere e seguire le istruzioni fornite di tutto l'attrezzo elencato qui.

#### Attrezzi necessari:

- Chiave per tubi da 200 mm (8") or 250 mm (10")
- Chiave regolabile da 200 mm (8") or 250 mm (10")
- Cacciavite a testa piatta
- Cacciavite Phillips
- Chiave regolabile con apertura a 2,5 cm (1") o chiave a tubo esagonale
- Livello
- Chiave a tubo da 8 mm (5/16")
- Coltello multiuso
- Morsetti per lo scarico
- Adesivo per tubature resistente all'azione del gas di petrolio liquefatto
- Pistola per presellatura e presello (per l'installazione del nuovo scarico)
- Pinza
- Spatola per stucco (lama rigida)

#### Componenti in dotazione:

Rimuovere il sacchetto dei componenti dall'asciugatrice. Controllare che vi siano inclusi tutti i pezzi necessari.

- Protezione piede (4)
- Piede asciugatrice (4)
- Modelli PD: Camma per serratura sportello di servizio
- Modelli PN: Fessura per lettore carta, cavi collegamento lettore carta, fissaggi

**NOTA:** lo schema del circuito dell'asciugatrice è situato all'interno del pannello inferiore anteriore, tra i Fogli Tecnici.

### Requisiti di ubicazione

#### **AVVERTENZA**



#### Rischio di esplosione

**Tenere materiali e vapori infiammabili, quali benzina, lontani dall'asciugatrice.**

**Non installare in un garage.**

**La mancata osservanza di queste precauzioni può provocare la morte, esplosioni o incendi.**

#### Se si installa un'asciugatrice a gas:

**IMPORTANTE:** rispettare le normative e le ordinanze governative.

- Controllare i requisiti normativi: alcune normative limitano o proibiscono l'installazione di asciugatrici in garage, armadi o luoghi dove si dorme. Contattare l'ispettore edilizio locale.
- Assicurarsi che i bordi inferiori dell'armadio e le pareti posteriore e inferiore dell'asciugatrice siano sgomberi da ostacoli per consentire un adeguato spazio per le aperture per il passaggio dell'aria di combustione. Vedi sotto "Istruzioni di installazione incassata e in armadi" per i requisiti minimi di spazio.
- Non installare su tappeti.

**NOTA:** non installare l'asciugatrice in una zona esposta ad acqua e/o intemperie.

## Istruzioni di installazione incassata e in armadi

È possibile installare l'asciugatrice incassata o in un armadio. Non installare l'asciugatrice dietro a una porta bloccabile, scorrevole o con la cerniera nella parte opposta dell'asciugatrice.

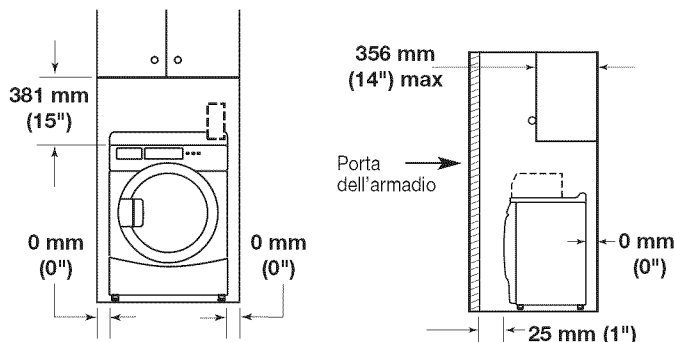
Lo spazio di installazione è in millimetri e rappresenta il minimo consentito. Per agevolare le operazioni di installazione e assistenza, e per rispettare la conformità con le normative locali, è opportuno considerare spazio aggiuntivo.

Se si installa una porta dell'armadio, è necessaria un'apertura non ostruita nella parte superiore e inferiore. Sono accettabili porte a persiana o simili.

Lo scarico dell'asciugatrice deve essere diretto all'esterno.

Non installare altre apparecchiature a combustione nello stesso armadio dell'asciugatrice.

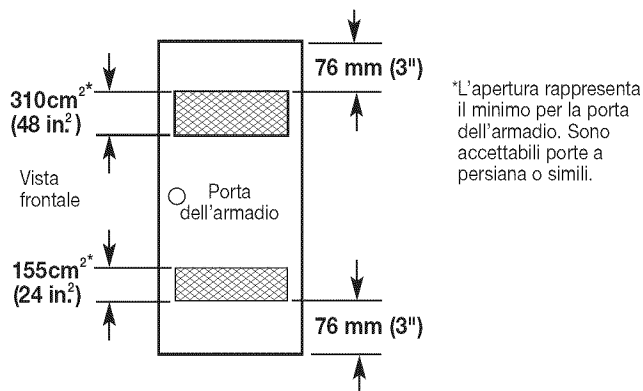
### Spazi minimi di installazione



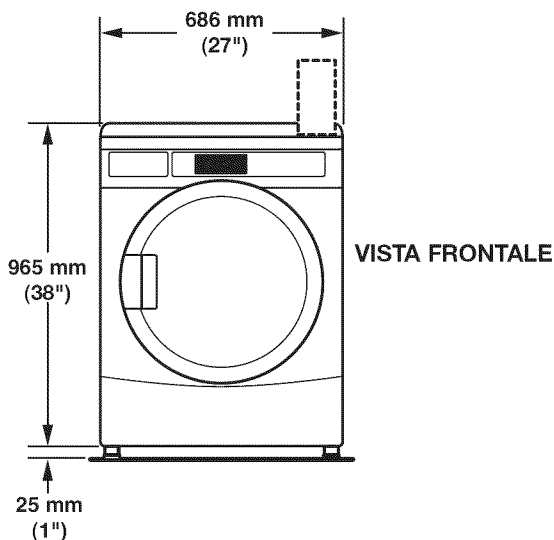
Vista frontale a incasso

Vista laterale armadio

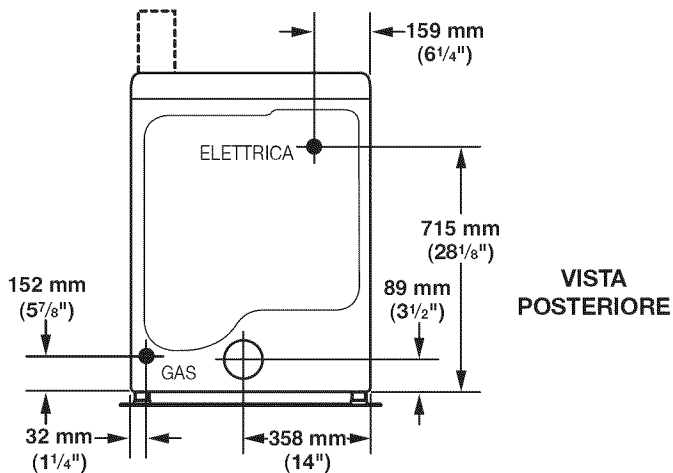
Può essere necessario disporre di spazio aggiuntivo per pareti, sportelli e porte, oppure nel caso in cui venga utilizzato un gomito di scarico esterno.



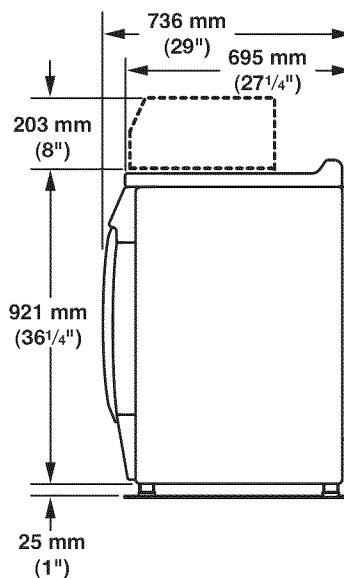
### Dimensioni del prodotto asciugatrice da 686 mm (27")



VISTA FRONTALE



VISTA POSTERIORE



VISTA LATERALE

### Requisiti elettrici - Asciugatrice a gas



**IMPORTANTE:** Rispettare le normative e le ordinanze governative.

È necessario avere a disposizione una presa elettrica collegata a terra ubicata entro 610 mm su uno dei due lati dell'asciugatrice.

Questa asciugatrice è fornita/dotata di un cavo e di una spina di alimentazione di corrente elettrica. Deve essere collegata alla presa della corrente elettrica al voltaggio indicato sulla targa dei dati tecnici. La capacità minima di alimentazione del fusibile è di 5A. L'asciugatrice deve essere posta in posizione tale da rendere la spina chiaramente visibile ed accessibile. Questa spina funziona anche da comando di arresto di emergenza per l'utente. Se la spina in dotazione non è utilizzata, il collegamento elettrico deve essere effettuato da un tecnico qualificato in conformità alle disposizioni nazionali e locali.

Se il cavo dell'alimentazione è danneggiato, deve essere sostituito con un cavo specifico da un tecnico autorizzato del servizio di assistenza o da personale qualificato per evitare qualsiasi rischio.

Non utilizzare adattatori.

Non utilizzare prolunghe.

**NOTA:** in rispetto della Direttiva europea EMC (2004/108/CE), l'impedenza massima del sistema di alimentazione elettrica a cui connettere l'asciugatrice è dichiarata pari a  $0,054 \text{ Ohm} + j0,034 \text{ Ohm}$ .

**NOTA:** Standard di sicurezza elettrica: il produttore ha scelto la conformità con gli standard IEC/EN.60335 come i più adeguati per questo prodotto.

## ⚠ AVVERTENZA



### Pericolo di scossa elettrica

L'asciugatrice deve essere dotata di messa a terra.

Non mettere a terra verso un tubo di gas.

Non sostituire la spina elettrica. Se la spina non combacia con la presa elettrica, far installare una presa adatta da un elettricista qualificato.

Non usare una prolunga con questa asciugatrice.

La mancata osservanza di queste istruzioni può causare morte, incendi o gravi lesioni.

Qualora le normative lo consentano, si utilizza un cavo di messa a terra aggiuntivo, facendo determinare a un elettricista esperto il percorso adeguato.

### ISTRUZIONI PER LA MESSA A TERRA

■ Per asciugatrice collegata con cavo di messa a terra: L'asciugatrice deve essere messa a terra. In caso di anomalie nel funzionamento o di guasto, la messa a terra riduce il rischio di shock elettrico fornendo un percorso di resistenza minore per la corrente elettrica. L'asciugatrice è dotata di un cavo provvisto di conduttore di messa a terra dell'apparecchio e di una spina di messa a terra. La spina deve essere collegata a terra in una presa adeguata, correttamente installata e collegata a terra conformemente a tutti i codici e le disposizioni locali.

**AVVERTENZA:** Il collegamento improprio del conduttore di messa a terra dell'apparecchiatura può provocare il rischio di shock elettrico.

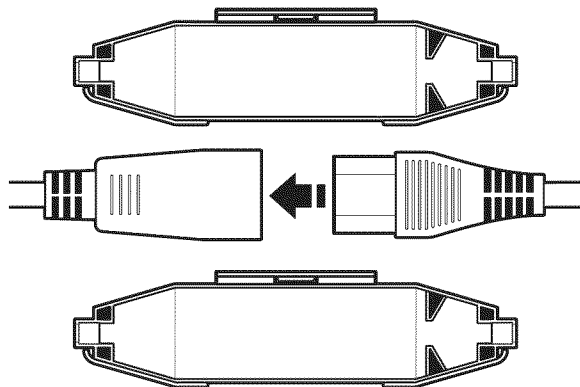
Per verificare che l'asciugatrice sia stata correttamente messa a terra, consultare un tecnico qualificato, rappresentante o personale tecnico del servizio di assistenza. Non modificare la spina fornita con l'asciugatrice. Se non entra nella presa, fare installare una presa adeguata da un tecnico qualificato.

**CONSERVARE LE PRESENTI ISTRUZIONI**

## Se si utilizza il cavo universale incluso con l'asciugatrice:

L'asciugatrice a gas è dotata di un cavo universale munito di spine intercambiabili.

1. Per usare il cavo universale, scegliere l'uscita della spina adatta alla presa della corrente e inserirla nell'adattatore sul cavo dell'alimentazione.
2. Fissare l'estremità della spina in posizione sul cavo allineando le due metà della copertura sull'adattatore del cavo e unendole.



## Requisiti di alimentazione del gas

## ⚠ AVVERTENZA



### Rischio di esplosione

Collegare l'asciugatrice a un'alimentazione del gas regolata. La pressione di alimentazione deve essere conforme ai Dati Tecnici (vedi ultima pagina).

Installare una valvola di arresto.

Bloccare saldamente tutti i collegamenti del gas.

Se collegato a gas di petrolio liquefatto, è necessario che un tecnico qualificato verifichi che la pressione del gas sia corretta.

La mancata osservanza di tale procedura potrebbe causare morte, esplosioni o incendi.

**IMPORTANTE:** Osservare tutti codici e le disposizioni governative.

### Alimentazione del gas:

Prima dell'installazione, controllare che le condizioni della distribuzione locale di gas, il tipo di gas e di pressione e la regolazione dell'elettrodomestico siano compatibili. Le informazioni relative al bruciatore si trovano sulla targa dei dati tecnici del modello/di serie nell'incassatura dello sportello dell'asciugatrice. Se tali informazioni non corrispondono al tipo di gas disponibile, consultare il proprio rivenditore.

## Gas naturale:

L'asciugatrice è stata fabbricata per essere utilizzata con GAS NATURALE (G20), non è necessario alcun adattamento ulteriore al momento dell'installazione.

## Gas di petrolio liquefatto:

L'asciugatrice è certificata anche per l'uso con gas di petrolio liquefatto (propano o butano) opportunamente convertiti. Non tentare assolutamente di convertire l'elettrodomestico per un uso diverso da quello con il gas specificato sulla targa dei dati tecnici del modello/di serie senza aver prima consultato il fornitore di gas.

La conversione deve essere effettuata da un tecnico qualificato.

Il kit di conversione del gas, pezzo numero W10233219, può essere acquistato presso il proprio rivenditore. Le istruzioni complete sono fornite insieme al kit.

## Requisiti del cavo di alimentazione:

Dotare la postazione dell'asciugatrice di un cavo rigido di alimentazione del gas. Esso deve misurare almeno 12,5 mm (1/2") ID. Se consentito dal fornitore di gas e dalle normative locali, è possibile utilizzare un filo di alimentazione rigido di 10 mm (3/8") ID per lunghezze inferiori a 6,1 m (20'). È necessario utilizzare un adesivo per tubature resistente all'azione del gas di petrolio liquefatto.

Il collegamento del gas all'asciugatrice deve essere realizzato con un tubo flessibile per gas adatto all'elettrodomestico e al tipo di gas conformemente alle disposizioni nazionali di installazione. In caso di perplessità, contattare il fornitore di gas. Esso dovrebbe misurare minimo 10 mm (3/8") ID.

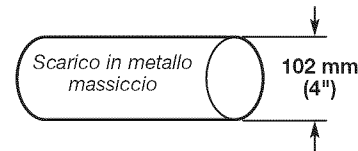
Tra la parete e l'elettrodomestico deve essere applicata una protezione per evitare che il filo rigido di alimentazione del gas si deformi quando si muove l'elettrodomestico. Si raccomanda l'uso di una catena di lunghezza adeguata e di un gancio da parete.

Il collegamento di immissione del gas nell'asciugatrice è un cavo NPT di 3/8". Viene fornito un adattatore per la conversione a cavo standard ISO 228 (3/8" BSP).

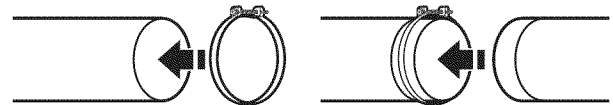
Controllare se sono presenti perdite utilizzando una soluzione di rilevamento delle perdite non corrosiva. Le bolle indicano la presenza di una perdita. Riparare immediatamente eventuali perdite. La valvola del gas all'interno dell'asciugatrice è dotata di una filettatura per misurare la pressione, a cui si può accedere rimuovendo il pannello anteriore inferiore.

L'asciugatrice deve essere scollegata dal sistema di condotta per l'alimentazione del gas durante il controllo della pressione del sistema.

- Seguendo i presenti requisiti di scarico si riduce al minimo la rumorosità dell'aria del condotto.
- Le asciugatrici a gas devono essere installate esclusivamente in locali che soddisfino i requisiti di scarico appropriati, specificati nelle normative di installazione nazionali. Verificare che il locale contenente l'asciugatrice disponga di un'adeguata alimentazione d'aria per la combustione del gas e l'operazione di asciugatura. Finestre ed eventuali aperture di ventilazione analoghe devono essere aperte nel locale quando l'asciugatrice è in funzione (le aperture di ventilazione analoghe includono feritoie regolabili, pannelli incernierati o altri mezzi di ventilazione che si aprano direttamente all'esterno). Fornire una ventilazione adeguata per evitare il riflusso di gas all'interno della stanza, derivanti da apparecchiature a combustione, incluse le fiamme aperte (ovvero il flusso di aria disponibile all'interno della stanza deve essere pari a quello esterno).
- Il sistema di condotta deve essere realizzato in modo tale da impedire che qualsiasi condensa che si è formata utilizzando l'asciugatrice a freddo, possa essere trattenuta, evaporando di nuovo successivamente, o scaricata. Attenersi a queste istruzioni dovrebbe consentire di soddisfare tale requisito.
- Lo scarico dell'asciugatrice non dev'essere connesso a nessuno scarico di gas, fumaio, parete, soffitto, attico, passi d'uomo o spazio delimitato di edificio. Utilizzare esclusivamente scarichi metallici rigidi o flessibili per l'impianto di scarico.
- Non utilizzare cappe con blocco magnetico.
- Non installare uno scarico in metallo flessibile in pareti, soffitti o pavimenti chiusi.
- È possibile utilizzare scarichi in metallo massiccio dal 102 mm con morsetti adeguati.



- Utilizzare i morsetti per sigillare tutti i raccordi. Non connettere o fissare lo scarico con viti o altri dispositivi di fissaggio che si estendano all'interno dello stesso ed attragano garza. Non utilizzare nastro isolante.



## Requisiti di scarico

### ⚠ AVVERTENZA



#### Rischio di incendio

**Utilizzare uno scarico in metallo pesante.**

**Non utilizzare uno scarico in plastica.**

**Non utilizzare uno scarico in lamina metallica.**

**La mancata osservanza di queste istruzioni può causare morte o incendi.**

### Una ventilazione impropria può causare l'accumulazione di umidità e pelucchi nella stanza, provocando:

- Danni di umidità al legno, ai mobili, alla vernice, alla carta da parati, ai tappeti, ecc.
- Problemi nel pulire la casa e problemi di salute.

**IMPORTANTE:** rispettare le normative e le ordinanze governative.

Utilizzare uno scarico in metallo pesante. Non utilizzare uno scarico in plastica o lamina metallica.

Consigliato uno scarico in metallo rigido per le migliori prestazioni di asciugatura e per evitare schiacciamenti e torsioni.

Stendere completamente lo scarico in metallo flessibile e sostenerlo quando l'asciugatrice si trova alla sua estremità. Eliminare lo scarico in metallo flessibile in eccesso per evitare cedimenti e attorcigliamenti che ridurrà il flusso dell'aria e rendere scarse le prestazioni.

La lunghezza totale dello scarico in metallo flessibile non deve superare i 2,4 m.

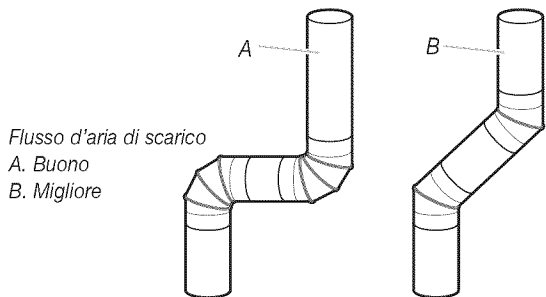
Coprire lo scarico con una cappa per evitare l'ingresso di roditori e insetti all'edificio.

La cappa di scarico deve trovarsi ad almeno 305 mm (12") da terra o dagli altri oggetti presenti nel raggio di azione dello scarico (quali fiori, pietre, cespugli o neve).

**AVVERTENZA:** per ridurre il rischio di incendio, LO SCARICO DELL'ASCIUGATRICE DEVE ESSERE DIRETTO VERSO L'ESTERNO.

Se si utilizza un impianto di scarico esistente, pulire tutto il sistema, accertandosi che la cappa non sia intasata con garza. Sostituire gli eventuali scarichi in plastica o lamina metallica con scarichi in metallo rigido o flessibile.

Piano di installazione per utilizzare il numero minimo di gomiti e curve.



Quando si utilizzano gomiti o curve prevedere il maggiore spazio possibile. Piegare lo scarico gradualmente per evitare attorcigliamenti.

L'uscita di scarico si trova al centro della parte posteriore dell'asciugatrice.

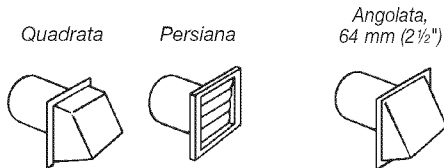
È possibile instradare lo scarico verso l'alto, il basso, a destra o a sinistra, dietro l'asciugatrice o direttamente al di fuori della parte posteriore.

## Lunghezza dell'impianto di scarico

La lunghezza massima dell'impianto di scarico dipende dal tipo di scarico utilizzato, dal numero di gomiti e dal tipo di cappa.

### Lunghezza massima dello scarico

Cappe di scarico 102 mm (4")



Scarico in metallo rigido

| N. di curve da 90° | Cappa quadrata e a persiana | Cappa angolata     |
|--------------------|-----------------------------|--------------------|
| 0                  | 39,6 m (130 piedi)          | 39,3 m (129 piedi) |
| 1                  | 38,1 m (125 piedi)          | 36,3 m (119 piedi) |
| 2                  | 35,1 m (115 piedi)          | 33,2 m (109 piedi) |
| 3                  | 32,3 m (106 piedi)          | 30,5 m (100 piedi) |
| 4                  | 29,9 m (98 piedi)           | 28 m (92 piedi)    |

Se l'asciugatrice viene installata in un'area ristretta, quale una camera da letto, un bagno o un armadio, fornire aria a sufficienza per la combustione e la ventilazione (rispettare le normative e le ordinanze governative). Consultare "Istruzioni di installazione incassata e in armadi", nella sezione "Requisiti di ubicazione".

È preferibile una cappa con uscita da 102 mm (4") Tuttavia, è possibile utilizzare una cappa di scarico con uscita da 64 mm (2 1/2"). Una cappa di scarico con uscita da 64 mm (2 1/2") genera una pressione maggiore rispetto agli altri tipi di cappa. Per installazioni permanenti, è necessario un impianto di scarico fisso.

## Scarico di asciugatrici multiple

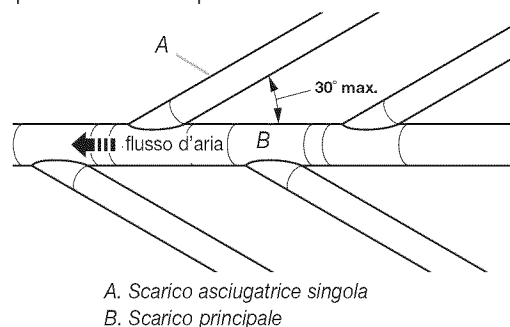
■ Per lo scarico di un gruppo di asciugatrici è possibile utilizzare uno scarico principale. Lo scarico principale deve avere dimensioni tali da rimuovere 5663 l/min (200 CFM) d'aria per asciugatrice. Nello scarico principale sono utilizzabili filtri in garza di grande capacità progettati

appositamente. La stanza in cui vengono sistemate le asciugatrici deve prevedere un rinnovo d'aria uguale o maggiore al flusso d'aria di tutte le asciugatrici presenti.

■ È necessario il kit di attenuazione del ritorno d'aria disponibile presso i rivenditori di lavatrici e va installato nello scarico di ciascuna asciugatrice per evitare il ritorno dell'aria e per mantenere lo scarico in equilibrio all'interno dello scarico principale. Sono richieste delle aperture di ritorno d'aria non ostruite.

Ciascuno scarico deve entrare nello scarico principale con un angolo che punta nella direzione del flusso d'aria. Sfalsare gli scarichi che entrano dal alto opposto per ridurre l'interferenza dell'aria di scarico con gli altri scarichi.

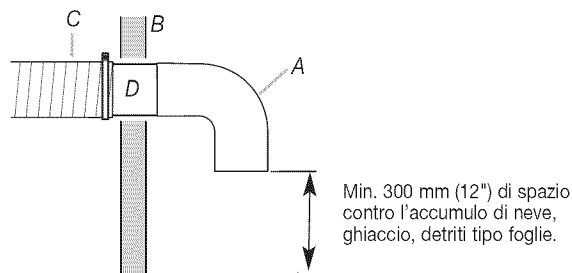
L'angolo massimo di ciascuno scarico che entra in quello principale non deve superare i 30°.



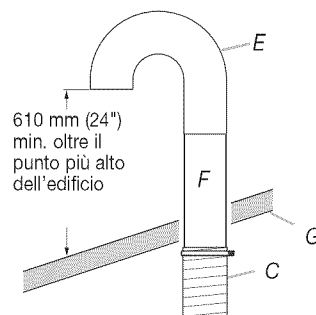
Tenere le aperture dell'aria libere da fumi dei fluidi della pulizia a secco. I fumi generano acidi, che quando passano attraverso le unità di riscaldamento dell'asciugatrice, possono danneggiare asciugatrici e carichi in fase di asciugatura.

Posizionare un coperchio a sifone sullo scarico principale per la pulizia periodica dell'impianto di scarico.

### Se è impossibile utilizzare una cappa di scarico:



- A. Cappa di scarico o gomito
- B. Parete
- C. Scarico del collettore principale
- D. Scarico orizzontale
- E. Gomito da 180°
- F. Scarico verticale
- G. Tetto



L'estremità esterna dello scarico principale deve essere dotato di un gomito diretto verso il basso. Se lo scarico principale si sposta verticalmente sul tetto, piuttosto che sulla parete, installare un gomito da 180° sull'estremità dello scarico almeno 610 mm (2 piedi) oltre il punto più alto dell'edificio. L'apertura sulla parete o sul tetto devono avere un diametro da 13 mm (1/2") maggiore di quello dello scarico. Centrare lo scarico nell'apertura.

Non installare filtri o tappe oltre l'estremità dello scarico.

# ISTRUZIONI D'INSTALLAZIONE - ASCIUGATRICE A GAS

## Installazione dei piedini di regolazione

### **AVVERTENZA**

#### Rischio di altezza eccessiva

Per spostare e installare l'asciugatrice occorrono due o più persone.

La mancata osservanza può risultare in lesioni alla schiena o di altro tipo.

**NOTA:** far scivolare l'asciugatrice su cartone o pannelli prima di spostarla per evitare di danneggiare il pavimento.

1. Per spostare l'asciugatrice alla posizione di installazione occorrono due o più persone.
2. Rimuovere il nastro dagli angoli anteriori dell'asciugatrice. Aprire l'asciugatrice e rimuovere le confezioni contenenti la documentazione e i componenti. Pulire a fondo la parte interna del tamburo con un panno umido.
3. Prendere due angoli di cartone della confezione e posizionarli sul pavimento nella parte posteriore dell'asciugatrice. Afferrare saldamente il corpo dell'asciugatrice distendendola sulla parte posteriore sugli angoli di cartone.
4. Reggendo uno dei piedini, controllare le creste cercando il segno a forma di diamante. È questo il modo in cui il piede deve entrare nel foro.
5. Cominciare ad avvitare a mano i piedi di regolazione nei fori (utilizzare una piccola quantità di liquido detergente per lubrificare le filettature, per rendere più semplice il movimento di rotazione). Utilizzare una chiave o una chiave a tubo da 25 mm (1") per completare l'avvitamento dei piedi fino a raggiungere il segno a forma di diamante. Posizionare una protezione sotto ciascun piede.
6. Sollevare l'asciugatrice.
7. Rimuovere il cartone o il pannello rigido. Regolare i piedi dell'asciugatrice verso l'alto o verso il basso fino a quando l'asciugatrice non è a livello.

## Eeguire il collegamento gas

### **AVVERTENZA**

#### Rischio di altezza eccessiva

Per spostare e installare l'asciugatrice occorrono due o più persone.

La mancata osservanza può risultare in lesioni alla schiena o di altro tipo.

1. Rimuovere il tappo rosso dal tubo del gas.
2. Collegare la condotta del gas all'asciugatrice. Se il tubo flessibile del gas è dotato di attacco 3/8" BSP, utilizzare l'adattatore di conversione della filettatura fornito in dotazione. È necessario utilizzare adesivo per tubature resistente all'azione del gas di petrolio liquefatto per i collegamenti del gas. Se indispensabile, aprire il pannello in basso. Servirsi di un coltello per premere sulle due chiusure del pannello posizionate nella parte superiore del pannello. Tirare verso il basso sul pannello per aprire. Il pannello è fissato ai cardini nella parte inferiore.
3. Aprire la valvola di arresto nella condotta di alimentazione del gas.
4. Controllare tutti i collegamenti applicando una soluzione di rilevamento delle perdite non corrosiva. Le bolle indicano la presenza di una perdita. Riparare immediatamente eventuali perdite.

## Connessione dello scarico

1. Utilizzando un morsetto da 102 mm (4"), connettere lo scarico all'uscita di scarico dell'asciugatrice. Se si collega a uno scarico esistente, verificare che lo scarico sia pulito. Lo scarico dell'asciugatrice deve trovarsi fuori l'uscita dello scarico e all'interno della cappa di scarico. Verificare che lo scarico sia fissato alla cappa tramite un morsetto da 102 mm (4").
2. Spostare l'asciugatrice nella posizione finale. Non piegare o attorcigliare lo scarico. Verificare che lo scarico sia a livello.
3. Controllare per assicurarsi che il tubo flessibile del gas non sia attorcigliato.

## Completamento dell'installazione

1. Quando l'asciugatrice si trova nella posizione finale, posizionare un livello sulla parte superiore prima da destra a sinistra e poi dalla parte anteriore a quella posteriore. Se l'asciugatrice non è a livello, regolare i piedini verso l'alto o verso il basso.

### **⚠ AVVERTENZA**



#### **Pericolo di scossa elettrica**

**L'asciugatrice deve fornita di messa a terra.**

**Serrare in modo saldo tutte le connessioni elettriche.**

**La mancata osservanza di queste precauzioni può provocare la morte, incendi o scosse elettriche.**

2. Allacciare a una presa collegata a terra.
3. Controllare il funzionamento dell'asciugatrice:  
Premere il pulsante di ciclo. Utilizzando un ciclo completo, lasciare l'asciugatrice in funzione per almeno cinque minuti. Quando il tempo è trascorso l'asciugatrice si ferma.  
**NOTA:** chiudere lo sportello dell'asciugatrice per consentirne il funzionamento. Quando lo sportello è aperto l'asciugatrice si ferma ma il timer continua ad funzionare. Per riavviare l'asciugatrice, chiudere lo sportello e premere il pulsante di ciclo.
4. Se il bruciatore non si accende e non si sente il calore nell'asciugatrice, arrestare l'asciugatrice per cinque minuti. Verificare che tutti i controlli delle valvole di alimentazione del gas si trovino in posizione di "APERTO" e che nessun cavo elettrico sia collegato alla corrente. Ripetere l'operazione di prova di cinque minuti.



# ISTRUZIONI DI MANUTENZIONE

## Istruzioni di manutenzione:

- Pulire il filtro in garza dopo ogni ciclo.
- Rimozione della garza accumulata (scollegare l'asciugatrice dall'alimentazione elettrica e del gas prima di iniziare questa attività):
  - Dalla parte interna dell'asciugatrice:  
Rimuovere la garza ogni 2 anni o più spesso, in base all'utilizzo dell'asciugatrice. La pulizia deve essere eseguita da personale qualificato.
  - Dallo scarico:  
Rimuovere la garza ogni 2 anni o più spesso, in base all'utilizzo dell'asciugatrice.

## Se l'asciugatrice non funziona controllare che:

- L'alimentazione elettrica sia connessa.
- L'interruttore di circuito non sia scattato o il fusibile non sia bruciato.
- Lo sportello sia chiuso. Fare attenzione a sentire l'attivazione degli interruttori dello sportello.
- Il pulsante di ciclo sia stato premuto e sul display appare la durata del ciclo.
- Controllare che le valvole di arresto dell'alimentazione del gas si trovino in posizione di apertura.

## Per l'assistenza:

Contattare il rivenditore autorizzato di asciugatrici Commerciali Maytag®, oppure visitare il sito [www.MaytagCommercialLaundry.com](http://www.MaytagCommercialLaundry.com). Al momento della chiamata, tenere a portata di mano il numero del modello e il numero di serie dell'asciugatrice riportati sulla targhetta situata sull'asciugatrice.

## DATI TECNICI - ASCIUGATRICE A GAS

|   |  |  |
|---|--|--|
| Alimentazione monofase 220-240V~50Hz 3A max. IP24 Carico massimo: 9,0 kg max. Livello della pressione sonora, Lpa: 58 dBA (incertezza, Kpa: +/-10 dBA) Massa totale: 68 kg max.   |  |  |
| Fabbricata per GAS NATURALE: Dimensioni iniettore: 2,2 mm<br>Assorbimento massimo: 5,9 KW   |  |  |
| Paesi Europei:  | CH, CZ, CY, ES, GB, GR, HR, IE, IT, PT, SI, SK, TR | CY, CZ, DK, EE, FI, GR, HU, IT, NO, RO, SE, SK, TR |
| Tipologia europea di gas:   | <sub>2</sub> H <sub>3</sub> +                      | <sub>2</sub> H <sub>3</sub> B/P                    |
| Portata gas:  | 0,562703 m <sup>3</sup> /hr                        | 0,562703 m <sup>3</sup> /hr                        |
| Pressione di alimentazione (G20):   | 20 mbar  | 20 mbar  |
| Pressione regolata di fabbricazione:  | 7,4 mbar   | 7,4 mbar   |
| Con kit di conversione Gas di petrolio liquefatto: Dimensioni iniettore: 1,25 mm<br>Assorbimento massimo: 6,4 KW  |  |  |
| Paesi Europei:  | CH, CZ, CY, ES, GB, GR, HR, IE, IT, PT, SI, SK, TR | CY, CZ, DK, EE, FI, GR, HU, IT, NO, RO, SE, SK, TR |
| Tipologia europea di gas:   | <sub>2</sub> H <sub>3</sub> +                      | <sub>2</sub> H <sub>3</sub> B/P                    |
| Pressione di alimentazione butano (G30):  | 28-30 mbar   | 30 mbar  |
| Pressione regolata:   | N/A  | N/A  |
| Pressione di alimentazione propano (G31):   | 37 mbar  | 30 mbar  |
| Pressione regolata:   | N/A  | N/A  |
| <b>NOTA:</b> Kit di conversione: Da gas naturale a gas di petrolio liquefatto: Pezzo Whirlpool n. W10233219.<br>Produttore: Whirlpool Corporation, Benton Harbor, Michigan 49022, U.S.A.<br>Sito produttivo: Whirlpool Corporation, 1300 Marion-Agosta Rd., Marion, OH 43302, U.S.A.<br>Rappresentante EU: Maytag UK Ltd., 2 St. Annes Blvd., Redhill, RH1 1AX, UK<br>e Bauknecht Hausgeräte GmbH, D-73614 Schorndorf |  |  |

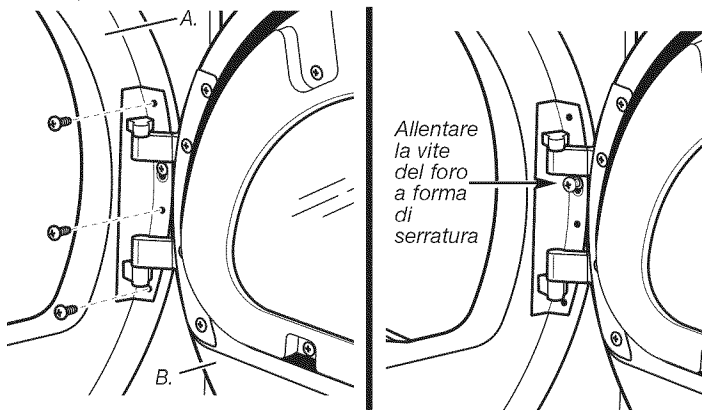
# INVERSIONE DELLA ROTAZIONE DI APERTURA

La rotazione di apertura dello sportello può essere configurata verso destra o verso sinistra, in base alla necessità.

Collocare una tovaglia o un panno morbido sulla parte superiore dell'asciugatrice o dell'area di lavoro per evitare danneggiamento della superficie.

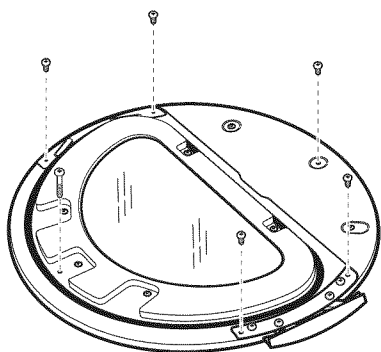
## Rimozione del gruppo dello sportello

1. Rimuovere 3 delle 4 viti della cerniera dello sportello sul pannello frontale dell'asciugatrice. Allentare parzialmente la vite restante sul foro a forma di serratura e far scivolare lo sportello fuori della vite.

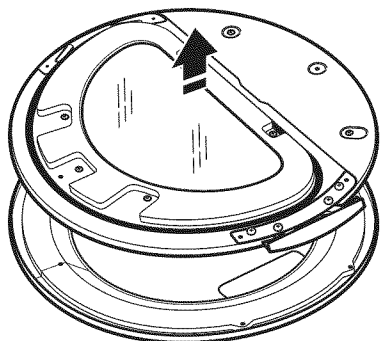


A. Pannello anteriore dell'asciugatrice  
B. Gruppo sportello

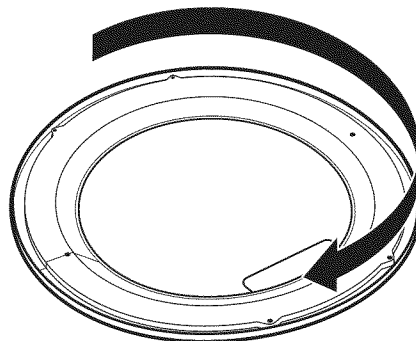
2. Appoggiare il gruppo dello sportello su una superficie piana preventivamente predisposta con la parte interna (gruppo sportello interno) rivolto verso l'alto.
3. Rimuovere le 6 viti Phillips per sganciare il gruppo sportello esterno dal gruppo sportello interno come indicato sotto. Consultare l'illustrazione. È importante che vengano rimosse solo le 6 viti indicate.



4. Separare il gruppo sportello interno dal gruppo sportello esterno.

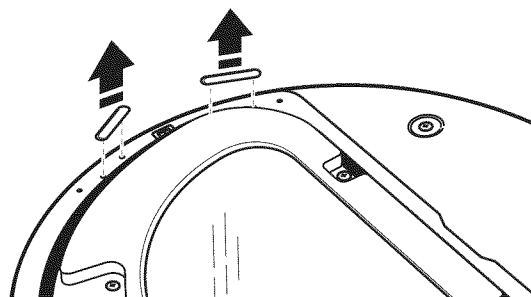


5. Ruotare il pannello esterno di 180°.

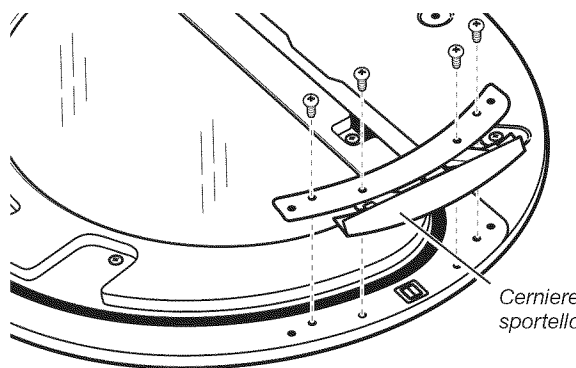


## Inversione della cerniera

1. Usare un piccolo cacciavite a lama per rimuovere i due tappi a linguetta dallo sportello interno. Far scivolare la testa del cacciavite al di sotto dei tappi accertandosi di non graffiare la superficie interna dello sportello. Sollevare.

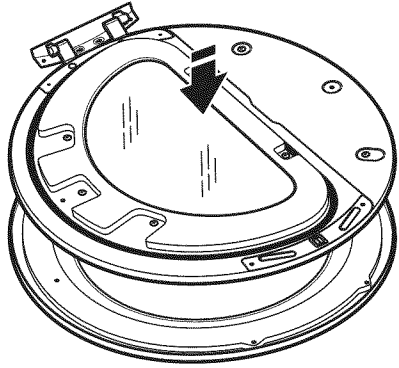


2. Rimuovere le 4 viti che fissano la cerniera dello sportello interno e spostare la cerniera sull'altro lato. Reinstallare le 4 viti.

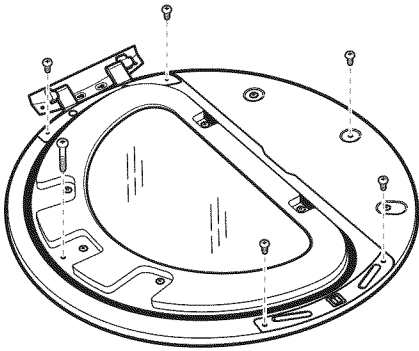


3. Reinstallare i tappi a linguetta sul lato opposto dello sportello interno.
4. Verificare che non vi siano impronte sul vetro. Pulire il vetro se necessario.

- Collocare il gruppo sportello interno dentro il gruppo sportello esterno. Per un corretto inserimento, il bordo del gruppo sportello interno deve trovarsi completamente all'interno del bordo del gruppo sportello esterno.

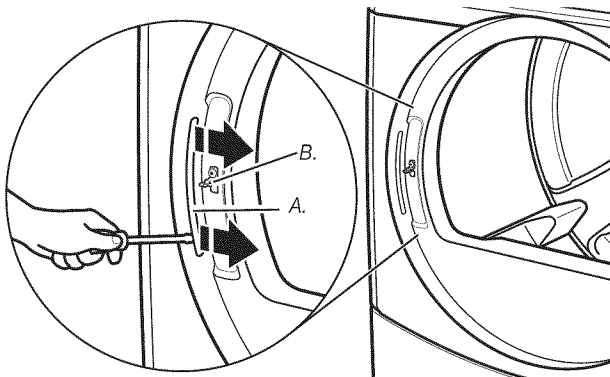


- Riassemblare i gruppi sportello interno ed esterno con le 6 viti.



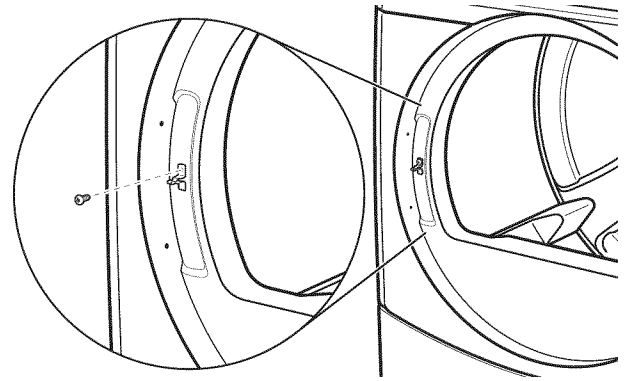
### Inversione del battente

- Usare un piccolo cacciavite a lama per rimuovere i tappi dall'apertura dello sportello dell'asciugatrice. Far scivolare la testa del cacciavite al di sotto dei tappi accertandosi di non graffiare la superficie dell'asciugatrice. Sollevare lentamente la linguetta di plastica dall'asciugatrice per evitare che i tappi a linguetta si deformino.



A. Tappo a linguetta  
B. Battente dello sportello

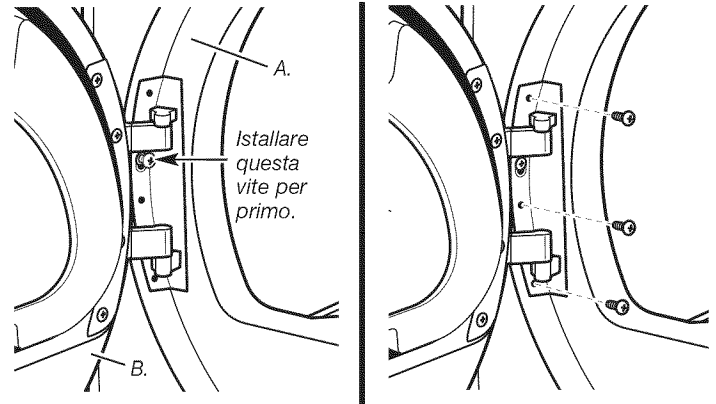
- Rimuovere il battente con un cacciavite Phillips.



- Installare il battente sul lato opposto.

### Reinstallazione dello sportello

- Riapplicare lo sportello al pannello anteriore dell'asciugatrice servendosi delle 4 viti. Per primo installare parzialmente la vite del foro a forma di serratura, quindi aggiustare il foro a forma di serratura nella cerniera sopra alla vite. A questo punto, installare le 3 viti rimanenti e stringere tutte e 4 le viti.



A. Pannello anteriore dell'asciugatrice  
B. Gruppo sportello

- Verificare che non vi siano impronte sul vetro. Pulire il vetro, se necessario.
- Chiudere lo sportello e verificare che sia agganciato in maniera sicura.

# CONFIGURAZIONE DEI CONTROLLI ELETTRONICI

## ⚠ ATTENZIONE



### Pericolo di scossa elettrica

Scollegare l'alimentazione prima della manutenzione.

Sostituire tutte le parti e i pannelli prima di eseguire le operazioni.

La mancata osservanza di queste precauzioni può provocare la morte o scosse elettriche.

## IMPORTANTE

### Scarica elettrostatica (ESD) Componenti elettronici sensibili

L'ESD è presente ovunque. L'ESD potrebbe danneggiare o indebolire il gruppo dei controlli elettronici. Il nuovo gruppo comandi potrebbe tornare a funzionare bene dopo una riparazione ma potrebbe verificarsi un guasto successivo dovuto allo stress da ESD.

- Usare un bracciale da polso antistatico. Collegare il bracciale da polso al punto verde del collegamento di terra oppure al metallo non verniciato dell'elettrodomestico.

-OPPURE-

Sfiorare ripetutamente con un dito il punto verde del collegamento di terra o il metallo non verniciato dell'elettrodomestico.

- Prima di rimuovere la parte dalla confezione, mettere la sacca antistatica a contatto con un punto verde di collegamento di terra oppure con il metallo non verniciato dell'elettrodomestico.
- Evitare di toccare le parti elettroniche o i contatti del terminale; maneggiare il gruppo dei controlli elettronici esclusivamente dai bordi.
- Nel riconfezionare il gruppo dei controlli elettronici guasto nella sacca antistatica, osservare le istruzioni fornite sopra.

## INFORMAZIONI GENERALI PER L'UTENTE

### "out of order" visualizzato sul display

Questa condizione indica che l'elettrodomestico non è in funzione. Dopo il messaggio seguirà il codice di detenzione di guasto o diagnostico.

### "0 Minutes" visualizzato sul display

Questa condizione indica che l'elettrodomestico non può essere messo in funzione. Le monete o il denaro inseriti con la carta durante questa condizione vengono conservati come acconto ma non possono essere usati finché non viene ripristinato il normale funzionamento aprendo e chiudendo lo sportello. Se uno degli interruttori sullo sportello si guasta, sostituirlo prima di ripristinare il normale funzionamento.

### Avvio freddo (primo uso)

L'asciugatrice è programmata dalla fabbrica come segue:

- Tempo di asciugatura 45 minuti (modelli PN);  
5 minuti/moneta (modelli PD).
- Prezzo di asciugatura 1,50 (ciclo fisso con aggiunta – modelli PD).
- Prezzo di asciugatura 0,00 (ciclo fisso – modelli PN).

### Avvio caldo (dopo guasto alimentazione)

Dopo alcuni secondi dal ripristino dell'alimentazione, se al momento del guasto era in corso un ciclo, "RESELECT CYCLE" lampeggia sul display. Ciò indica che è necessario premere il tasto per l'impostazione del tessuto per riavviare l'asciugatrice.

### Prezzi

Dopo aver aperto e richiuso lo sportello al completamento del ciclo, il display indica il prezzo del ciclo (a meno che non sia stato impostato il funzionamento gratuito). Quando vengono inserite le monete o la carta, il display cambia per guidare l'utente all'avvio del ciclo.

Esistono quattro (4) tipi di prezzi:

### Prezzo fisso di vendita

Un'asciugatrice impostata su "Ciclo fisso" può accettare solo un tempo in aggiunta accumulato in incrementi pari alla lunghezza di un ciclo di asciugatura completo. È possibile acquistare fino a un massimo di 99 minuti; quando il display indica 99 minuti, non viene dato ulteriore credito.

### Prezzo in accumulo

Se il prezzo è impostato su una moneta 1, vuol dire che è inserita la modalità di accumulo. Il tempo del ciclo può essere acquistato con una moneta alla volta (modelli PD) fino a un tempo massimo di 99 minuti.

### Prezzo del ciclo fisso con aggiunta

Un'asciugatrice impostata per offrire la funzione di "aggiunta" consente di aggiungere tempo a un ciclo di asciugatura esistente in incrementi pari al numero di minuti del tempo di asciugatura per moneta (moneta 1), fino a 99 minuti, indipendentemente da tempo richiesto per avviare l'asciugatrice. Pur inserendo monete o carte, quando il display visualizza 99 minuti non viene dato alcun credito.

I modelli PN sono impostati come PR: in modalità Carta di debito avanzata, il prezzo in aggiunta può essere impostato in maniera indipendente (vedere VALORE DELLA MONETA 2); il tempo in aggiunta viene calcolato servendosi della seguente equazione:

$$\frac{\text{prezzo aggiunta}}{\text{prezzo ciclo totale}} = \frac{\text{tempo aggiunta}}{\text{lunghezza ciclo totale}}$$

L'offset dell'incremento centesimi non viene applicato agli acquisti aggiuntivi.

### Modelli PN

L'impostazione predefinita di fabbrica è il prezzo del ciclo su 0. Quando accade ciò, invece del prezzo di un ciclo, viene visualizzato "SELECT CYCLE". Ogni ciclo iniziato come ciclo gratuito terminerà automaticamente quando lo sportello si aprirà.

### Letto carta di debito

Quest'asciugatrice ha un comando per carta di debito, ma non ne è dotata.

## PROCEDURE DI CONFIGURAZIONE DEI COMANDI

**IMPORTANTE:** leggere tutte le istruzioni prima di eseguire le operazioni.

I tasti di impostazione del tessuto e il display digitale vengono usati per impostare i controlli dell'asciugatrice.

Il display può contenere 4 numeri e/o 4 lettere e un separatore decimale. Questi vengono usati per indicare i codici di configurazione e i relativi valori disponibili per la programmazione dell'asciugatrice.

## Uso dei tasti per la programmazione dei controlli

1. Il tasto WHITES AND COLORS viene usato per regolare i valori associati ai codici di configurazione. Premendo il tasto, si incrementa il valore di un'unità (1). È disponibile la regolazione rapida tenendo premuto il tasto.
2. Il tasto PERM. PRESS scorre tutti i codici di configurazione. Premendo il tasto si avanza al successivo codice di configurazione disponibile. Tenendo premuto il tasto, si avanza automaticamente alla velocità di un codice (1) al secondo.
3. Il tasto DELICATES viene utilizzato per selezionare o deselegionare le opzioni.

## Avvio della configurazione operativa

- Modelli PD: inserire la chiave nello sportello di servizio, ruotarla e sollevare per rimuovere lo sportello di accesso.
- Modelli PN: Rimuovere il cavo di connessione AA1 dal pannello dei comandi, vedere la procedura di seguito, o usare il codice di accesso di servizio seguente. Una volta che il lettore della carta di debito è installato (secondo le istruzioni del fabbricante del lettore), la configurazione può essere effettuata inserendo una scheda di configurazione manuale (fornita dal fabbricante del lettore) nello slot per carta. Se la scheda di configurazione manuale non è disponibile, la modalità di configurazione manuale non può essere inserita. Tuttavia, la modalità diagnostica può essere inserita rimuovendo il connettore AA1 dal circuito del pannello dei comandi.

**IMPORTANTE:** non aprire la console prima di aver scollegato l'asciugatrice dall'alimentazione. Per accedere al connettore AA1:

- Scollegare l'asciugatrice o disconnettere l'alimentazione.
- Aprire la console, scollegare la spina da AA1, chiudere la console.
- Inserire la spina dell'asciugatrice o riconnettere l'alimentazione.

- Modelli PN forniti di interruttore di programmazione: inserire la chiave del pannello di accesso e girare in senso antiorario.
- Modelli PN con il lettore della carta di debito di seconda generazione: una volta che un lettore della carta di debito di seconda generazione è installato (secondo le istruzioni del fabbricante del lettore), la modalità di configurazione possono essere inserite soltanto inserendo una scheda di configurazione manuale (fornita dal fabbricante del lettore) nello slot per carta. Se la scheda di configurazione manuale non è disponibile, può essere inserita solo la modalità diagnostica.
- Un metodo alternativo per inserire la modalità configurazione inserendo il **Codice di accesso servizio**: questo codice può essere inserito per accedere alla configurazione senza togliere la console dalle asciugatrici appena disimballate, o non ancora programmate. Il codice di accesso di servizio funziona soltanto sulle asciugatrici programmate per un prezzo di vendita 0 senza configurazione per un prezzo speciale e l'opzione moneta/carta (Coin/Debit) deve essere impostata tramite "J\_d". Se l'asciugatrice non è nella modalità guasto, lo sportello deve essere aperto per continuare. Usando soltanto dei tre tasti inferiori (numerati 1, 2 e 3 da sinistra a destra):

1. Premere 2 per continuare ancora per 2 secondi ma meno di 10 secondi.
2. Premere simultaneamente 1 & 3 per 2 secondi. Sul display apparirà S 3.
3. Premere simultaneamente 1 & 2. Sul display apparirà S 4.
4. Premere simultaneamente 2 & 3. Sul display apparirà S 5.
5. Premere 2.
6. Attendere almeno 2 secondi, ma non più di 15 secondi, quindi introdurre la successione: 3, 2, 1, 3.

L'asciugatrice è ora in modalità di configurazione.

Prima di procedere è utile tenere presente che, nonostante tutte le opzioni disponibili, il proprietario può semplicemente scegliere di disimballare la nuova asciugatrice commerciale, fissarla, collegarla all'alimentazione e avere un'asciugatrice funzionante. **NOTA:** I modelli PD richiedono l'installazione prima dell'uso di un sistema di pagamento o del kit OPL.

- Modelli PD vengono preimpostate in fabbrica con prezzi di ciclo fissi con possibilità di aggiunta.
- Modelli PN vengono preimpostate in fabbrica per dei cicli fissi e possono funzionare senza pagamento.

## DISPLAY

Dopo l'installazione e il collegamento dell'asciugatrice all'alimentazione, sul display viene visualizzato "0 minutes".

Una volta che l'asciugatrice è stata collegata e che lo sportello è aperto e richiuso, il prezzo di vendita viene visualizzato sul display. I modelli PN sono impostati dal fornitore per dei cicli gratuiti; sul display apparirà "SELECT CYCLE".

## Modelli PD



## Modelli PN



## CODICI DI CONFIGURAZIONE

NEI MODELLI PN: i codici di configurazione corrispondono a quelli dei modelli PD eccetto quando indicato diversamente.

Il codice di configurazione è indicato dal carattere o dai due caratteri sulla sinistra. Il codice di configurazione è indicato dai due o tre caratteri sulla destra.

**NOTA:** La prima linea di ogni codice indica l'impostazione di fabbrica.

| CODICE     | SPIEGAZIONE  |
|------------|--|
| <u>506</u> | <b>PREZZO CICLO REGOLARE</b>   |
| <u>506</u> | Rappresenta il numero di monete (moneta 1); può variare tra 0 e 39. (Vedere b.xx configurazione per VALORE DELLA MONETA 1). Avanzare da 0 a 39 premendo il tasto WHITES AND COLORS. Impostazione di fabbrica 6 x moneta 1.   |
| <u>600</u> | MODELLI PN: Impostazione di fabbrica 6 00, o 0 monete.<br>→ Premere il tasto PERM. PRESS una volta per avanzare al codice successivo.  |
| <u>705</u> | <b>TEMPO ASCIUGATURA REGOLARE</b>  |
| <u>705</u> | Rappresenta il numero di minuti a moneta (moneta 1). Impostazione di fabbrica 5 minuti a moneta. Esempio: 6 monete x 5 minuti = 30 minuti. Premendo il tasto WHITES AND COLORS è possibile regolare il valore tra 1 e 99 minuti.   |
| <u>745</u> | MODELLI PN: Rappresenta la durata del ciclo per i cicli gratuiti. Esempio: "7 45" = 45 minuti.<br>→ Premere il tasto PERM. PRESS una volta per avanzare al codice successivo.  |
| <u>800</u> | <b>TIPI DI PREZZI DI ASCIUGATURA</b>   |
| <u>800</u> | Ciclo fisso con aggiunta. Per una descrizione dettagliata, consultare le Informazioni generali per l'utente.   |
| <u>8FC</u> | Ciclo fisso. Per una descrizione dettagliata, consultare le informazioni generali per l'utente. Usare il tasto DELICATES per effettuare questa selezione. MODELLI PN: Impostazione di fabbrica di FC.<br>→ Premere il tasto PERM. PRESS una volta per avanzare al codice successivo. |
| <u>900</u> | <b>OPZIONE CONTEGGIO CICLI</b><br>Questa opzione è SELEZIONATA su "ON" o NON SELEZIONATA su "OFF".   |
| <u>900</u> | Non selezionata "OFF".   |
| <u>90C</u> | Selezionata "ON" senza possibilità di deselegionare. Premere il tasto DELICATES per 3 volte consecutive per selezionare "ON". Una volta selezionato "ON" non può essere deselegionato.<br>→ Premere il tasto PERM. PRESS una volta per avanzare al codice successivo.                |

| CODICE      | SPIEGAZIONE  |
|-------------|--|
| <u>1.00</u> | <b>OPZIONE CONTEGGIO DENARO</b><br>Questa opzione è SELEZIONATA su "ON" o NON SELEZIONATA su "OFF".  |
| <u>1.00</u> | Non selezionata "OFF".   |
| <u>1.00</u> | Selezionata "ON".<br>Premere il tasto DELICATES per 3 volte consecutive per selezionare "ON" e per 3 volte consecutive per disattivarla (non selezionata "OFF"). Passando da "OFF" a "ON" il contatore si azzerà.  |
| <u>1.00</u> | Selezionata "ON" senza possibilità di deselegionare.<br>Per selezionare "ON" senza possibilità di deselegionare, in primo luogo selezionare "ON", quindi entro due secondi premere il tasto DELICATES per due volte, quindi premere il tasto WHITES AND COLORS per una volta e uscire dalla modalità di configurazione.<br>→ Premere il tasto PERM. PRESS una volta per avanzare al codice successivo. |
| <u>2.00</u> | <b>OPZIONE PREZZO SPECIALE</b><br>Questa opzione è SELEZIONATA su "ON" o NON SELEZIONATA su "OFF".   |
| <u>2.00</u> | Non selezionata "OFF".   |
| <u>2.5P</u> | Selezionata "ON". Premere il tasto DELICATES una volta per questa selezione.<br><b>Se si seleziona l'OPZIONE PREZZO SPECIALE, si ha accesso ai codici da "3." a "9."</b><br>→ Premere il tasto PERM. PRESS una volta per avanzare al codice successivo.  |

| OPZIONI DA USARE SE SI SELEZIONA IL PREZZO SPECIALE: |   |
|--|---|
| <u>3.06</u>  | <b>PREZZO CICLO SPECIALE</b>  |
| <u>3.06</u>  | Rappresenta il numero di monete (moneta 1); può variare tra 0 e 39. (Vedere b.xx configurazione per VALORE DELLA MONETA 1). Avanzare da 0 a 39 premendo WHITES AND COLORS. Impostazione di fabbrica 6 x moneta 1.                         |
| <u>3.00</u>  | MODELLI PN: Impostazione di fabbrica 0 monete.<br>→ Premere il tasto PERM. PRESS una volta per avanzare al codice successivo.   |
| <u>4.05</u>  | <b>TEMPO ASCIUGATURA SPECIALE</b>   |
| <u>4.05</u>  | Rappresenta il numero di minuti a moneta (moneta 1).<br>Impostazione di fabbrica 5 minuti a moneta.<br>Esempio: 6 monete x 5 minuti = 30 minuti.<br>Premendo il tasto WHITES AND COLORS è possibile regolare il valore tra 1 e 99 minuti. |
| <u>4.45</u>  | MODELLI PN: Rappresenta la durata del ciclo per i cicli gratuiti.<br>Esempio: "4 45" = 45 minuti.<br>→ Premere il tasto PERM. PRESS una volta per avanzare al codice successivo.  |
| <u>5.00</u>  | <b>ORARIO DEL GIORNO, MINUTI</b>  |
| <u>5.00</u>  | Si tratta dell'ORARIO DEL GIORNO, impostazione minuti; selezionare da 0 a 59 minuti premendo il tasto WHITES AND COLORS.<br>→ Premere il tasto PERM. PRESS una volta per avanzare al codice successivo.                                   |
| <u>6.00</u>  | <b>ORARIO DEL GIORNO, ORE</b><br><b>NOTA:</b> viene usato l'orario di 24 ore.   |
| <u>6.00</u>  | Si tratta dell'ORARIO DEL GIORNO, impostazione ore; selezionare da 0 a 23 ore premendo il tasto WHITES AND COLORS.<br>→ Premere il tasto PERM. PRESS una volta per avanzare al codice successivo.   |
| <u>7.00</u>  | <b>HORARIO DI INIZIO DEL PREZZO SPECIALE</b><br><b>NOTA:</b> viene usato l'orario di 24 ore.  |
| <u>7.00</u>  | Si tratta dell'orario di inizio, da 0 a 23 ore. Selezionare l'ORARIO DI INIZIO premendo il tasto WHITES AND COLORS.<br>→ Premere il tasto PERM. PRESS una volta per avanzare al codice successivo.  |

| CODICE   | SPIEGAZIONE   |        |                                |    |                        |    |                      |    |                       |    |                         |    |                       |    |                       |    |                      |
|--|---|--------|--------------------------------|----|------------------------|----|----------------------|----|-----------------------|----|-------------------------|----|-----------------------|----|-----------------------|----|----------------------|
| <b>OPZIONI DA USARE SE SI SELEZIONA IL PREZZO SPECIALE (continua):</b> |   |        |                                |    |                        |    |                      |    |                       |    |                         |    |                       |    |                       |    |                      |
| <u>8.00</u>  | <b>ORARIO DI FINE DEL PREZZO SPECIALE</b><br><b>NOTA:</b> viene usato l'orario di 24 ore.   |        |                                |    |                        |    |                      |    |                       |    |                         |    |                       |    |                       |    |                      |
| <u>8.00</u>  | Si tratta dell'orario di fine, da 0 a 23 ore. Selezionare l'ORARIO DI FINE premendo il tasto WHITES AND COLORS.<br>→ Premere il tasto PERM. PRESS una volta per avanzare al codice successivo.  |        |                                |    |                        |    |                      |    |                       |    |                         |    |                       |    |                       |    |                      |
| <u>9.10</u>  | <b>GIORNATE DI PREZZO SPECIALE</b>  |        |                                |    |                        |    |                      |    |                       |    |                         |    |                       |    |                       |    |                      |
| <u>9.10</u>  | Rappresenta il giorno della settimana e se in quel giorno viene applicato il prezzo speciale. Un numero seguito da "0" indica che per quel giorno specifico non esistono offerte (9.10). Un numero seguito da una "S" indica la selezione del giorno (9.1S).<br>I giorni della settimana (1-7) possono essere scelti premendo il tasto WHITES AND COLORS. Premere il tasto DELICATES una sola volta per selezionare il prezzo speciale di ciascun giorno scelto.<br>Quando si esce dal codice di configurazione "9.", sul display viene visualizzato il giorno della settimana corrente:<br><table border="1" style="margin-left: 20px;"> <thead> <tr> <th>CODICE</th> <th>GIORNO SETTIMANA (selezionato)</th> </tr> </thead> <tbody> <tr> <td>10</td> <td>giorno 1 = domenica 1S</td> </tr> <tr> <td>20</td> <td>giorno 2 = lunedì 2S</td> </tr> <tr> <td>30</td> <td>giorno 3 = martedì 3S</td> </tr> <tr> <td>40</td> <td>giorno 4 = mercoledì 4S</td> </tr> <tr> <td>50</td> <td>giorno 5 = giovedì 5S</td> </tr> <tr> <td>60</td> <td>giorno 6 = venerdì 6S</td> </tr> <tr> <td>70</td> <td>giorno 7 = sabato 7S</td> </tr> </tbody> </table><br>→ Premere il tasto PERM. PRESS una volta per avanzare al codice successivo. | CODICE | GIORNO SETTIMANA (selezionato) | 10 | giorno 1 = domenica 1S | 20 | giorno 2 = lunedì 2S | 30 | giorno 3 = martedì 3S | 40 | giorno 4 = mercoledì 4S | 50 | giorno 5 = giovedì 5S | 60 | giorno 6 = venerdì 6S | 70 | giorno 7 = sabato 7S |
| CODICE   | GIORNO SETTIMANA (selezionato)  |        |                                |    |                        |    |                      |    |                       |    |                         |    |                       |    |                       |    |                      |
| 10   | giorno 1 = domenica 1S  |        |                                |    |                        |    |                      |    |                       |    |                         |    |                       |    |                       |    |                      |
| 20   | giorno 2 = lunedì 2S  |        |                                |    |                        |    |                      |    |                       |    |                         |    |                       |    |                       |    |                      |
| 30   | giorno 3 = martedì 3S   |        |                                |    |                        |    |                      |    |                       |    |                         |    |                       |    |                       |    |                      |
| 40   | giorno 4 = mercoledì 4S   |        |                                |    |                        |    |                      |    |                       |    |                         |    |                       |    |                       |    |                      |
| 50   | giorno 5 = giovedì 5S   |        |                                |    |                        |    |                      |    |                       |    |                         |    |                       |    |                       |    |                      |
| 60   | giorno 6 = venerdì 6S   |        |                                |    |                        |    |                      |    |                       |    |                         |    |                       |    |                       |    |                      |
| 70   | giorno 7 = sabato 7S  |        |                                |    |                        |    |                      |    |                       |    |                         |    |                       |    |                       |    |                      |

|             |  |
|-------------|--|
| <u>8.00</u> | <b>OPZIONE VISUALIZZAZIONE A VOLTA</b><br>Questa opzione è SELEZIONATA su "ON" o NON SELEZIONATA su "OFF".   |
| <u>8.00</u> | Non selezionata "OFF".   |
| <u>8.50</u> | Selezionata "ON". Premere il tasto DELICATES una volta per questa selezione. Quando viene selezionata, i conteggi del denaro e/o dei cicli sono visibili (se si seleziona il conteggio) alla rimozione della vaschetta delle monete.<br>→ Premere il tasto PERM. PRESS una volta per avanzare al codice successivo.  |
| <u>6.05</u> | <b>VALORE DELLA MONETA 1</b>   |
| <u>6.05</u> | Rappresenta il valore della moneta 1 in numero di incrementi del 5% del valore della moneta più grande. $5 \times 5\% = 25\%$ .<br>Premendo il tasto WHITES AND COLORS è disponibile l'opzione 1-199 per il numero d'incrementi del 5%.<br>Attivando l'inserimento monete appare il totale del prezzo di vendita.<br>→ Premere il tasto PERM. PRESS una volta per avanzare al codice successivo.   |
| <u>6.20</u> | <b>VALORE DELLA MONETA 2</b>   |
| <u>6.20</u> | Rappresenta il valore della moneta 2 in numero di incrementi del 5% del valore della moneta più grande. $20 \times 5\% = 100\%$ .<br>Premendo il tasto WHITES AND COLORS è disponibile l'opzione 1-199 per il numero di incrementi del 5%.   |
| <u>6.05</u> | MODELLI PN: Rappresenta il valore della moneta 2 in numero di incrementi del 5% del valore della moneta più grande.<br>Impostazione di fabbrica = $5 \times 5\%$ del valore della moneta più grande.<br>MODELLI PN CHE UTILIZZANO UNA CARTA DI DEBITO AVANZATA: Rappresenta il valore dell'aggiunta in numero di incrementi del 5% del valore della moneta più grande.<br>Impostazione di fabbrica = $5 \times 5\%$ del valore della moneta più grande.<br>→ Premere il tasto PERM. PRESS una volta per avanzare al codice successivo. |

| CODICE      | SPIEGAZIONE   |
|-------------|---|
| <u>d.00</u> | <b>OPZIONE SCIVOLO MONETE</b><br>Questa opzione è SELEZIONATA su "ON" o NON SELEZIONATA su "OFF". Sarà necessario sostituire il contatore per montare il dispositivo per l'inserimento delle monete.  |
| <u>d.00</u> | Non selezionata "OFF".  |
| <u>d.CS</u> | Selezionata "ON".<br><b>NOTA:</b> Questa opzione deve essere impostata a "00" a meno che il contatore sia stato cambiato per accettare un dispositivo per l'inserimento delle monete.<br>Premere il tasto DELICATES 3 volte consecutive per questa selezione. Quando è selezionato il modo inserimento monete, impostare "b." uguale al valore dell'inserimento monete. Impostare "6 xx" (REGULAR CYCLE PRICE) e "3.xx" (SPECIAL CYCLE PRICE) per il numero di operazioni di inserimento. 6 01 & 3.01 = 1 inserimento a pressione.<br><b>NOTA:</b> Se l'installatore imposta "CS" su un modello di caduta monete, le monete non verranno registrate.<br>→ Premere il tasto PERM. PRESS una volta per avanzare al codice successivo. |
| <u>E.00</u> | <b>OPZIONE AGGIUNTA MONETE</b><br>Questa opzione è SELEZIONATA su "ON" o NON SELEZIONATA su "OFF". Questa opzione mostra sul display del cliente il numero di monete (moneta 1) da inserire, invece dell'importo.   |
| <u>E.00</u> | Non selezionata "OFF".  |
| <u>E.AC</u> | Selezionata "ON".<br>Premere il tasto DELICATES per 3 volte consecutive per questa selezione.<br>MODELLI PN: questa opzione non è disponibile.<br>→ Premere il tasto PERM. PRESS una volta per avanzare al codice successivo.   |
| <u>J.Cd</u> | <b>OPZIONE MONETE/CARTA</b>   |
| <u>J.Cd</u> | Monete e carta selezionate contemporaneamente. (NON DISPONIBILE)  |
| <u>J.C_</u> | Monete abilitate, carta disabilitata.<br>Premere il tasto DELICATES per 3 volte consecutive per questa selezione.   |
| <u>J._d</u> | Carta di debito selezionata, monete disabilitate. Impostazione predefinita per i modelli PN e per PN in funzione, deve essere regolato come J._d.<br>Premere il tasto DELICATES per 3 volte consecutive per questa selezione.   |
| <u>J.Ed</u> | La modalità Carta di debito avanzata viene selezionata automaticamente quando si installano lettori di carte di seconda generazione nell'asciugatrice. L'opzione "Ed" non può essere selezionata o deselezionata manualmente. (NON DISPONIBILE)<br>→ Premere il tasto PERM. PRESS una volta per avanzare al codice successivo.  |
| <u>L.00</u> | <b>OPZIONE SOPPRESSIONE PREZZO</b><br>Questa opzione è SELEZIONATA su "ON" o NON SELEZIONATA su "OFF". Questa opzione visualizza sul display del cliente "AVAILABLE" o "ADD" invece della quantità di denaro da aggiungere (usata principalmente nelle installazioni con carta).  |
| <u>L.00</u> | Non selezionata "OFF".  |
| <u>L.PS</u> | Selezionata "ON". Premere il tasto DELICATES una volta per questa selezione.<br>→ Premere il tasto PERM. PRESS una volta per avanzare al codice successivo.   |

| CODICE      | SPIEGAZIONE   |
|-------------|---|
| <u>n.CE</u> | <b>OPZIONE ELIMINAZIONE ACCONTO</b><br>Questa opzione è SELEZIONATA su "ON" o NON SELEZIONATA su "OFF". Quando è selezionata, il denaro tenuto in acconto per 30 minuti senza ulteriori aggiunte o attività di ciclo viene cancellato. Selezionata "ON".  |
| <u>n.CE</u> | Selezionata "ON".   |
| <u>n.00</u> | Non selezionata "OFF". Premere il tasto DELICATES una volta per deselezionare questa opzione.<br>→ Premere il tasto PERM. PRESS una volta per avanzare al codice successivo.  |
| <u>U.00</u> | <b>OFFSET INCREMENTO CENTESIMI</b>  |
| <u>U.00</u> | Rappresenta l'offset del prezzo in incrementi in centesimi usato nei modelli PN di seconda generazione impostati con un lettore di carta (Carta di debito avanzata). Scelta tra 0 e 4 centesimi di moneta premendo il tasto WHITES AND COLORS. (NON DISPONIBILE)<br>→ Premere il tasto PERM. PRESS una volta per avanzare al codice successivo. |

#### Se si seleziona il contatore di cicli (9.0C), è vero quanto segue:

|  |            |
|--|------------|
| 1 00 rappresenta il numero di cicli in CENTINAIA | 1 02 = 200 |
| 2 00 rappresenta il numero di cicli in UNITÀ     | 2 25 = 25  |
| TOTALE = 225 cicli                               |            |

Questa è una modalità di "SOLA VISUALIZZAZIONE" e non può essere cancellata.

Premere il tasto PERM. PRESS una volta per avanzare al codice successivo.

#### Se si seleziona il contatore di denaro (1.0C o 1.C0), è vero quanto segue:

|                                       |               |
|---------------------------------------|---------------|
| 3 00 quantità di valuta in CENTINAIA  | 3 01 = 100,00 |
| 4 00 quantità di valuta in UNITÀ      | 4 68 = 68,00  |
| 5 00 quantità di valuta in CENTESIMI. | 5 75 = 00,75  |
| TOTALE = 168,75                       |               |

#### TERMINE DELLA PROCEDURA DI CONFIGURAZIONE

#### USCITA DALLA MODALITÀ DI CONFIGURAZIONE

- MODELLI PD: reinstallare lo sportello di accesso.
- MODELLI PN in caso di rimozione della spina AA1:
  1. Scollegare l'asciugatrice dalla presa o disconnettere l'alimentazione.
  2. Aprire la console, reinserire il cavo di connessione in AA1, chiudere la console.
  3. Inserire la spina dell'asciugatrice o riconnettere l'alimentazione.
- PN CON INTERRUETTORE DI PROGRAMMAZIONE: Girare la chiave in senso orario e rimuovere.
- Se il codice di accesso di servizio è usato per entrare nella modalità configurazione: a partire dalla configurazione del codice 8, premere il tasto #1 per 4 secondi, attendere 2 minuti senza toccare nessun tasto (se non è attiva la modalità diagnostica), quindi spegnere l'asciugatrice e riaccenderla.

---

# GARANZIA LAVATRICI, ASCIUGATRICI, ASCIUGATRICI IMPILATE COMMERCIALI, LAVATRICI COMMERCIALI IMPILATE, LAVATRICI E ASCIUGATRICI COMMERCIALI A GETTONI MULTI CARICO MAYTAG®

---

## GARANZIA LIMITATA SUI PEZZI

Per i primi cinque anni dalla data di acquisto, ove l'installazione, la manutenzione e il funzionamento siano avvenuti in conformità con le istruzioni allegate o fornite con il prodotto, Maytag marchio di Whirlpool Corporation (da questo momento "Maytag") sarà responsabile del rimborso delle parti indicate dalla fabbrica o delle parti delle apparecchiature originali indicate dal produttore in caso di difetti nei materiali o di fabbricazione. È necessaria una prova della data di acquisto per ottenere l'assistenza coperta dalla presente garanzia.

---

## VOCI NON A CARICO DI MAYTAG:

1. Tutti gli altri costi inclusi, manodopera, trasporto o dazi doganali.
  2. L'assistenza in caso di errata installazione dell'apparecchiatura commerciale, per ricevere istruzioni sull'uso del dispositivo, per la sostituzione o riparazione di fusibili oppure per correggere il cablaggio o l'impianto idraulico esterni.
  3. Riparazioni in caso di utilizzo dell'apparecchiatura al di fuori del proprio regolare uso commerciale.
  4. Danni provocati dall'errata manipolazione del prodotto durante la consegna, furto, incidenti, alterazioni, cattivo utilizzo, abusi, incendio, inondazione, cause di forza maggiore, errata installazione, installazione non in conformità con le norme sugli impianti elettrici e idraulici locali, uso di prodotti non approvati da Maytag.
  5. Ritiro e consegna. Questo dispositivo commerciale è progettato per essere riparato in situ.
  6. Riparazioni di parti o sistemi provocate da modifiche non autorizzate apportate al dispositivo commerciale.
  7. La rimozione e reinstallazione del dispositivo commerciale se installato in un'area di difficile accesso o non in conformità con le istruzioni di installazione pubblicate.
  8. I danni chimici sono esclusi dalla copertura della garanzia.
  9. Le modifiche all'edificio, alla stanza o all'area necessarie al corretto funzionamento del dispositivo commerciale.
  10. Riparazioni effettuate non da personale di assistenza autorizzato della Whirlpool.
- 

## LIMITAZIONE DELLE GARANZIE IMPLICITE; LIMITAZIONE DEI RIMEDI

UNICO E SOLO RIMEDIO DA PARTE DEL CLIENTE SOTTO LA PRESENTE GARANZIA È LA RIPARAZIONE DEL PRODOTTO COME SPECIFICATO DALLA PRESENTE GARANZIA. LE GARANZIE IMPLICITE, INCLUSE LE GARANZIE DI COMMERCIALITÀ O IDONEITÀ PER UNO SCOPO PARTICOLARE, SONO LIMITATE A UN ANNO O AL PERIODO MINIMO CONSENTITO DALLA LEGGE. WHIRPOOL NON È RESPONSABILE DI INCIDENTI O DANNI DA ESSI DERIVANTI. ALCUNI STATI E PROVINCE NON RICONOSCONO L'ESCLUSIONE DI DANNI INCIDENTALI O CONSEGUENZIALI O LE LIMITAZIONI SULLA DURATA DELLE GARANZIE IMPLICITE DI COMMERCIALITÀ O IDONEITÀ; PERTANTO QUESTA LIMITAZIONE ED ESCLUSIONE POTREBBE NON ESSERE APPLICABILE. LA PRESENTE GARANZIA FORNISCE DIRITTI LEGALI SPECIFICI OLTRE A QUELLI EVENTUALI CHE SPETTANO IN BASE ALLO STATO O ALLA PROVINCIA A CUI SI APPARTIENE.

---

Per assistenza, contattare il distributore autorizzato di lavatrici commerciali Maytag®. Per localizzare il rivenditore Maytag® locale o per richieste via Web, visitare [www.MaytagCommercialLaundry.com](http://www.MaytagCommercialLaundry.com).

Per inviare richieste per iscritto scrivere a:

Maytag® Commercial Laundry Service Department  
2000 M-63 North  
Benton Harbor, Michigan 49022 USA

1/11

® Registered Trademark™ Trademark of Maytag Properties LLC or its related companies.

® Marque déposée™ Marque de commerce de Maytag Properties LLC ou ses compagnies affiliées.

® Marca registrada™ Marca de comercio de Maytag Properties LLC o sus compañías asociadas.

® Marchio di fabbrica del marchio depositato /™ del ® di Maytag Properties LLC o le sue società relative.

W10379555A  
© 2011

11/2011  
Printed in U.S.A.  
Imprimé aux E.-U.  
Impreso en EE.UU.  
Stampato negli U.S.A.