

FRIGIDAIRE

All about the

Installation and Use & Care

of your Telescoping
Downdraft Ventilation
System

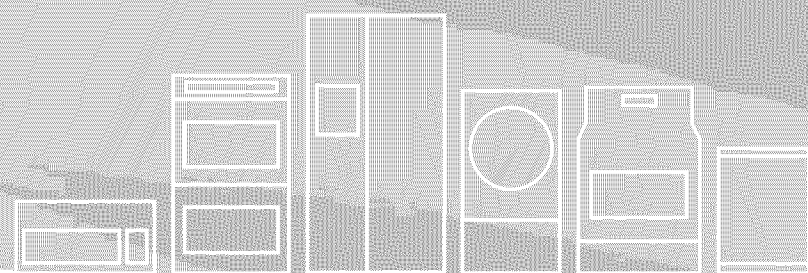


TABLE OF CONTENTS

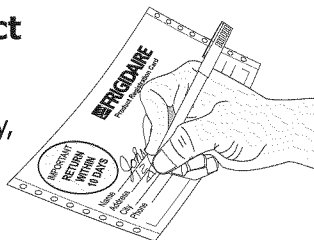
Welcome & Congratulations	2	Installation	9
Important Safety Instructions.....	3	Use & Care	13
Shipping Pack	4	Before You Call	15
Product Dimensions.....	5	Major Appliance Warranty	16
Planning	6		

WELCOME & CONGRATULATIONS

Product Registration

Register Your Product

The **PRODUCT REGISTRATION CARD** should be filled in completely, signed and returned to Electrolux Home Products.



Congratulations on your purchase of a new appliance! At **Electrolux Home Products**, we are very proud of our product and are completely committed to providing you with the best service possible. Your satisfaction is our number one priority.

We know you'll enjoy your new appliance and **Thank You** for choosing our product. We hope you consider us for future purchases.

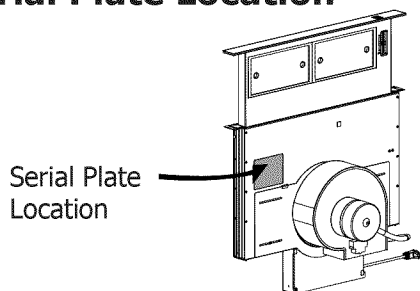
PLEASE CAREFULLY READ AND SAVE THESE INSTRUCTIONS

This Use & Care Manual contains general operating instructions for your appliance and feature information for several models. Your product **may not** have all the described features. The graphics shown are representative. The graphics on your appliance may not look exactly like those shown. These instructions are not meant to cover every possible condition and situation that may occur. Common sense and caution must be practiced when installing, operating and maintaining any appliance.

NOTE

Please attach sales receipt here for future reference.

Serial Plate Location



Please record your model and serial numbers below for future reference.

Model Number: _____

Serial Number: _____

Purchase Date: _____



This unit is intended for domestic cooking ONLY.

INSTALLER:

SAVE THIS MANUAL FOR ELECTRICAL INSPECTOR AND HOMEOWNER TO USE.

HOMEOWNER:

IMPORTANT SAFETY INSTRUCTIONS ON PAGE 3.

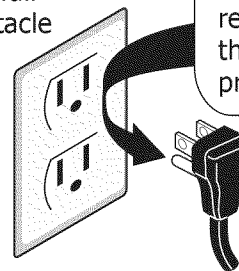
HOMEOWNER:

USE AND CARE INFORMATION ON PAGES 13 & 14.

Grounding Instructions

This appliance must be grounded. In the event of an electrical short circuit, grounding reduces the risk of electric shock by providing an escape wire for the electric current. This appliance is equipped with a cord having a grounding wire with a grounding plug. The plug must be plugged into an outlet that is properly installed and grounded.

Grounding type wall receptacle



Power supply cord with 3-prong grounding plug

WARNING

Improper grounding can result in a risk of electric shock.


Consult a qualified electrician if the grounding instructions are not completely understood, or if doubt exists as to whether the appliance is properly grounded.

Do not use an extension cord. If the power supply cord is too short, have a qualified electrician install an outlet near the appliance.

IMPORTANT SAFETY INSTRUCTIONS

**Read all instructions before using this appliance.
Save these instructions for future reference.**

DEFINITIONS

 This is the safety alert symbol. It is used to alert you to potential personal injury hazards. Obey all safety messages that follow this symbol to avoid possible injury or death.

WARNING

TO REDUCE THE RISK OF FIRE, ELECTRIC SHOCK, OR INJURY TO PERSONS, OBSERVE THE FOLLOWING:

- Use this unit only in the manner intended by the manufacturer. If you have questions, contact the manufacturer at the address or telephone number in the warranty.
- Before servicing or cleaning unit, switch power off at service panel and lock the service disconnecting means to prevent power from being switched on accidentally. When the service disconnecting means cannot be locked, securely fasten a prominent warning device, such as a tag, to the service panel.
- Installation work and electrical wiring must be done by a qualified person(s) in accordance with all applicable codes and standards, including fire-rated construction codes and standards.
- Sufficient air is needed for proper combustion and exhausting of gases through the flue (chimney) of fuel burning equipment to prevent backdrafting. Follow the heating equipment manufacturer's guideline and safety standards such as those published by the National Fire Protection Association (NFPA), and the American Society for Heating, Refrigeration and Air Conditioning Engineers (ASHRAE), and the local code authorities.
- When cutting or drilling into wall or ceiling, do not damage electrical wiring and other hidden utilities.
- Do not use this range hood with an additional speed control device.
- Ducted fans must always be vented to the outdoors.
- To reduce the risk of fire, use only metal ductwork.
- Do not install this product with the activating switch directly behind a burner or element. Minimum distance between the switch and the edge of the burner should be 4 inches.
- Loose-fitting or hanging clothing should never be worn when operating this appliance. They may be ignited by burners/elements on cooktop.
- Children should not be left alone or unattended in the area where this appliance is in use.
- When flaming foods, turn the blower OFF. An operating blower may spread the flames.
- This unit must be grounded.

WARNING

TO REDUCE THE RISK OF A RANGE TOP GREASE FIRE:

- Never leave surface units unattended at high settings. Boilovers` cause smoking and greasy spillovers that may ignite. Heat oils slowly on low or medium settings.
- Always turn hood ON when cooking at high heat or when cooking flaming foods (i.e. Crepes Suzette, Cherries Jubilee, Peppercorn Beef Flambé).
- Clean ventilating fans frequently. Grease should not be allowed to accumulate on fan or filter.
- Use proper pan size. Always use cookware appropriate for the size of the surface element.

WARNING

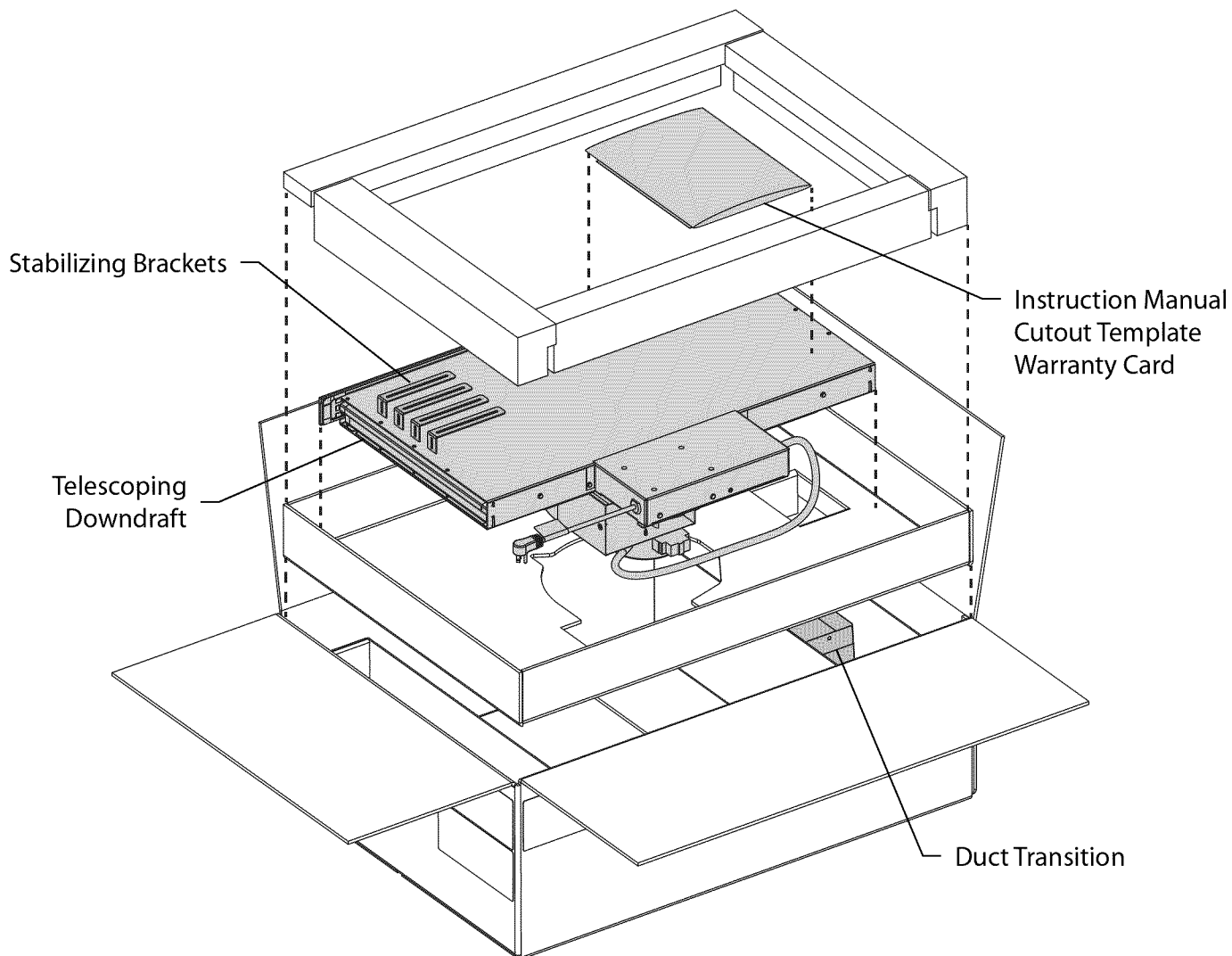
TO REDUCE THE RISK OF INJURY TO PERSONS IN THE EVENT OF A RANGE TOP GREASE FIRE, OBSERVE THE FOLLOWING*:

- **SMOTHER FLAMES** with a close-fitting lid, cookie sheet, or metal tray, then turn off the burner. **BE CAREFUL TO PREVENT BURNS.** If the flames do not go out immediately, **EVACUATE AND CALL THE FIRE DEPARTMENT.**
 - **NEVER PICK UP A FLAMING PAN** - You may be burned.
 - **DO NOT USE WATER**, including wet dishcloths or towels - a violent steam explosion will result.
 - Use an extinguisher **ONLY** if:
 - A.** You know you have a Class ABC extinguisher, and you already know how to operate it.
 - B.** The fire is small and contained in the area where it started.
 - C.** The fire department is being called.
 - D.** You can fight the fire with your back to an exit.
- * Based on "Kitchen Firesafety Tips" published by NFPA.

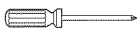
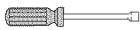
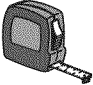
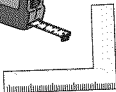

CAUTION

- For general ventilating use only. Do not use to exhaust hazardous or explosive materials and vapors.
- To avoid motor bearing damage and noisy and/or unbalanced impellers, keep drywall spray, construction dust, etc. off power unit.
- Clean filters and grease-laden surfaces frequently.
- Do not repair or replace any part of this appliance unless specifically recommended in this manual. All other servicing should be done by a qualified technician.
- Please read specification label

SHIPPING PACK



Tools You Will Need

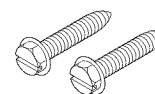
- Phillips Screwdriver 
- 1/4" Nut Driver / Ratchet 
- Tape Measure 
- Carpenter Square 
- Vertical Level or Plum Line 
- Tools required to cut countertop

IMPORTANT

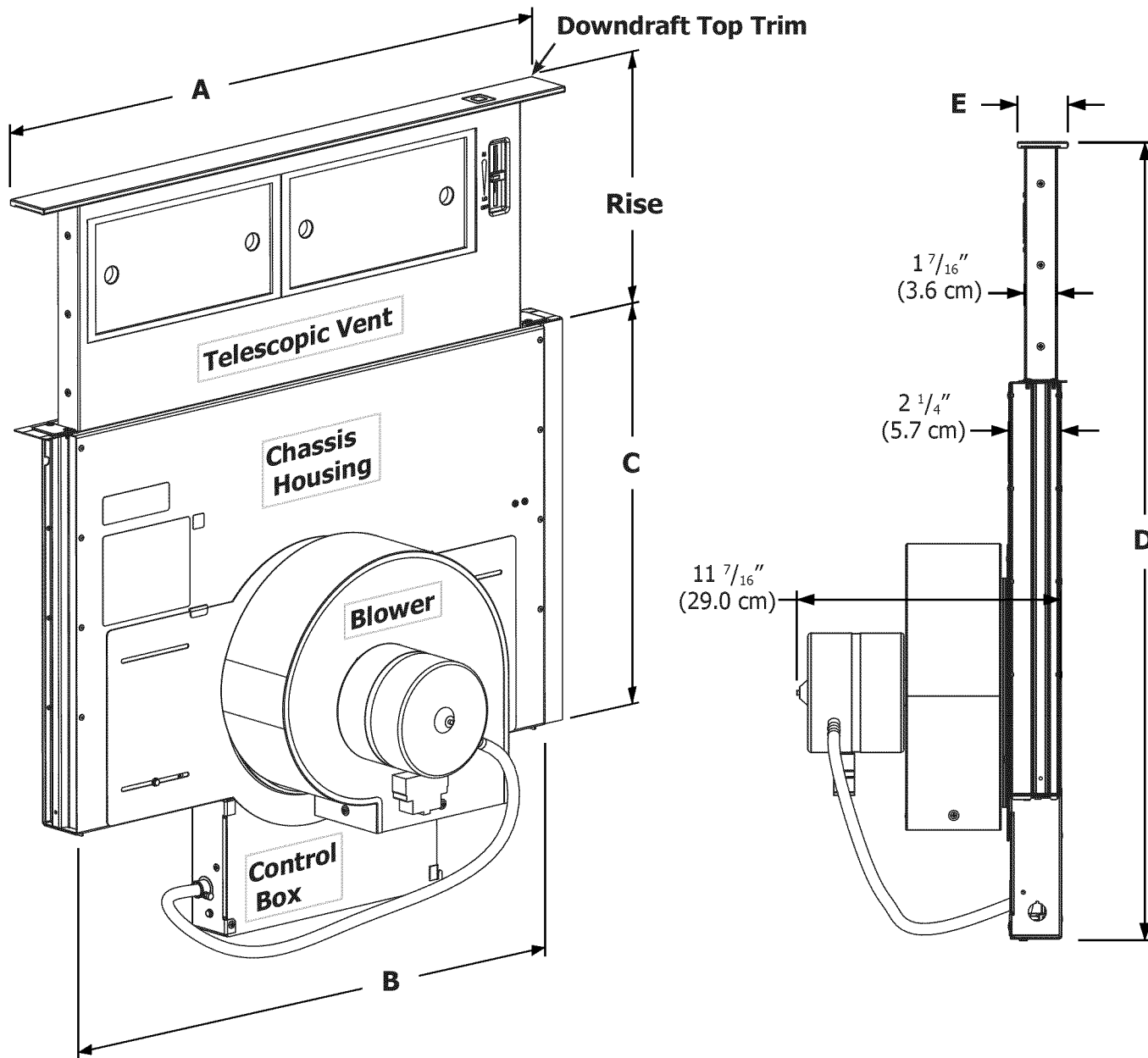
Retain all packing and materials until the telescoping downdraft and all components have been installed.

Hardware (User Supplied)

- (4) Screws appropriate for mounting stabilizing brackets to cabinet material / substrate.

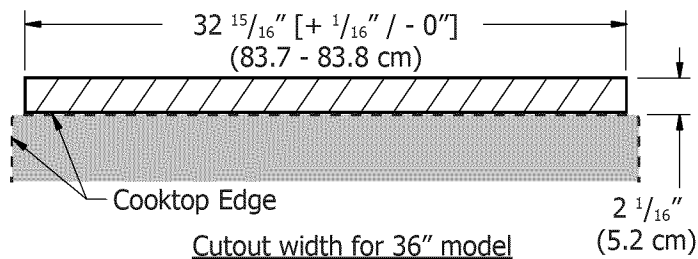
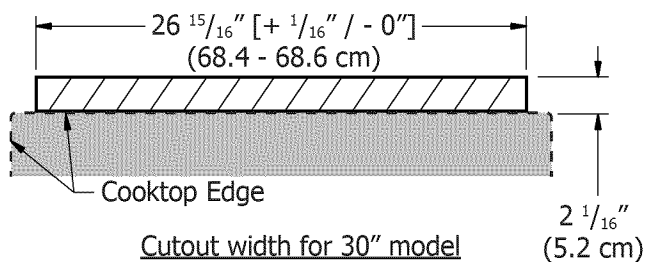


PRODUCT DIMENSIONS



Model	A	B	C	D	E	Rise
FH30DD50MS	30" (76.2 cm)	26 ⁷ / ₈ " (68.3 cm)	17 ¹³ / ₁₆ " (45.2 cm)	34 ⁵ / ₁₆ " (87.2 cm)	2 ³ / ₁₆ " (5.5 cm)	10" (25.4 cm)
FH36DD50MS	36" (91.4 cm)	32 ⁷ / ₈ " (83.6 cm)				

Cutout Dimensions



PLANNING

Basic Information

A qualified technician must complete the installation of this appliance. This downdraft blower system is designed to be used to exhaust airborne contaminants when cooking with a variety of gas, electric or induction cooktops.

It can be mounted in island, peninsula, or conventional wall locations.

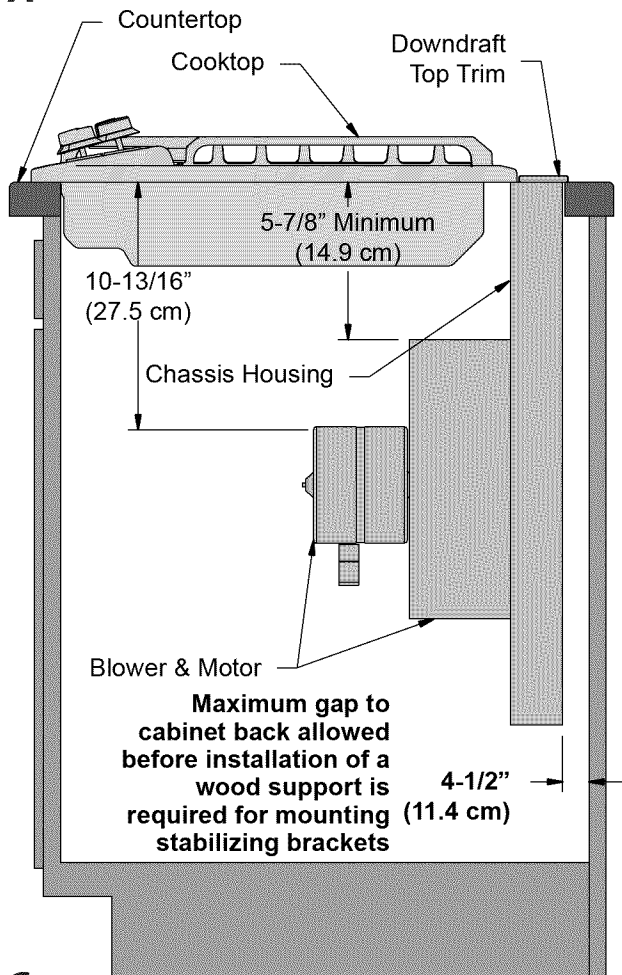
This unit is installed following these basic steps:

- Cut out the countertop opening.
- Mount the unit in the cabinet.
- Connect the ductwork and electrical.
- Install the cooktop.

CAUTION

The high level of air flow of this appliance may affect the gas flame on some gas cooktop models. Extreme caution must be used to assure proper flame is generated and maintained through the operating range of the vent. Refer to cooktop Installation Instructions and Use and Care guide for proper gas burner setup. Gas Cooktop installation and service must be performed by a qualified installer, service agency or gas supplier.

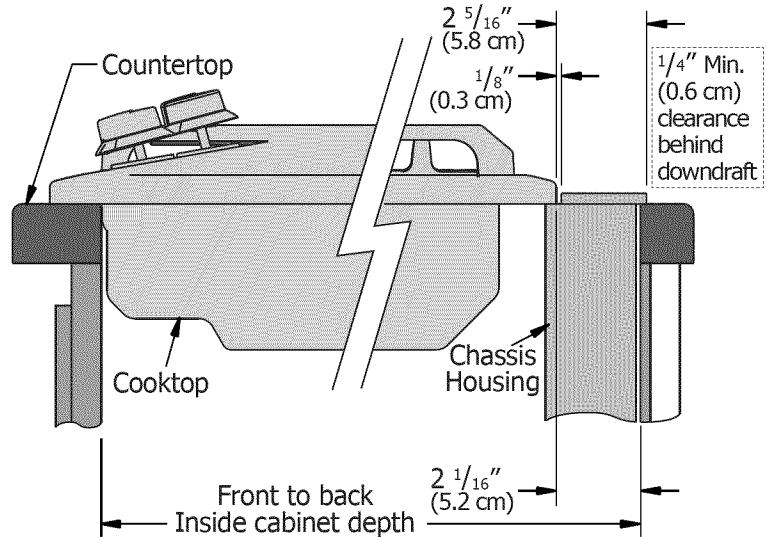
Typical Installation



Take Measurements

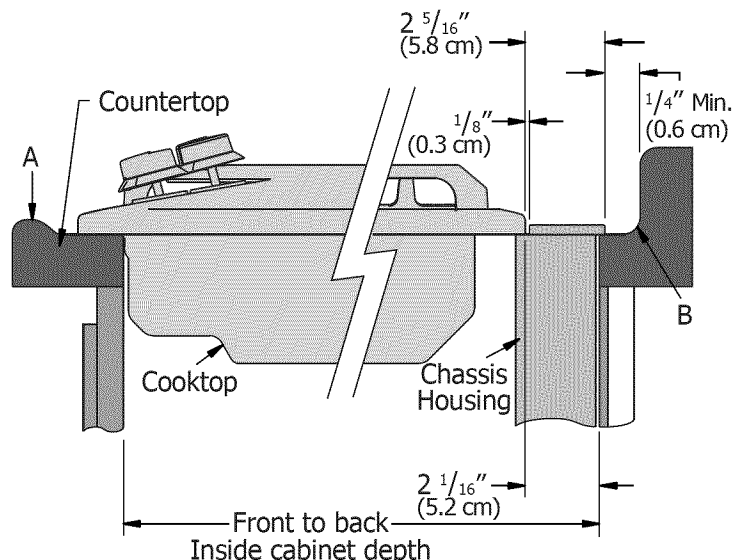
Refer to the cooktop installation instructions for dimensions of the cooktop, countertop cut-out and cabinet requirements. It is recommended that oversized cabinets be used for easier installation.

Cooktop depth can vary greatly from one unit to another. This may cause the fit of the cooktop and the telescopic downdraft appliances to be tight in the countertop depending upon the overall depth of the countertop.



NOTE

Preformed countertops with a raised lip and/or backsplash as illustrated in (A) or (B) may not allow enough flat countertop for proper installation. Note that a minimum of 2 5/16" of flat countertop is required behind cooktop and that 2 1/16" is necessary between the back edge of the cooktop and the inside of cabinet back.



Plan the Ductwork

This downdraft blower system is designed for use with 3¼ x 10" ductwork (can be transitioned to 6" round).

For best performance, choose the ducting option which allows the shortest length of ductwork and a minimum number of elbows and transitions.

The system will operate most efficiently when the ductwork does not exceed 60 feet of equivalent duct. The downdraft will operate properly with ductwork up to 100 equivalent feet of duct. See page 12 for Calculated Duct Length Table.

The blower can be mounted to the vent chassis housing to provide exhaust discharge down, as supplied (Fig. 1), or 90° to the left (Fig. 2) or 90° to the right (Fig. 3). Position the blower before installing the vent chassis housing in the countertop.

NOTE

For left or right discharge, the blower housing needs to be rotated for proper venting. See page 9 for instructions on rotating the blower.

The blower is mounted on a slide plate which may be adjusted 3½" (8.9cm) left or right to help avoid duct interference with joists or other obstructions. To adjust the slide plate, loosen the 2 hex head (¼" driver) screws and move the slide plate to the desired position and tighten the screws.

Plan the Discharge

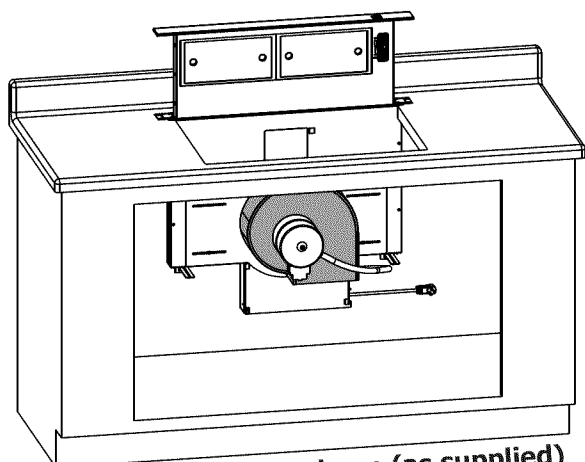


Fig. 1 - Discharge down (as supplied)

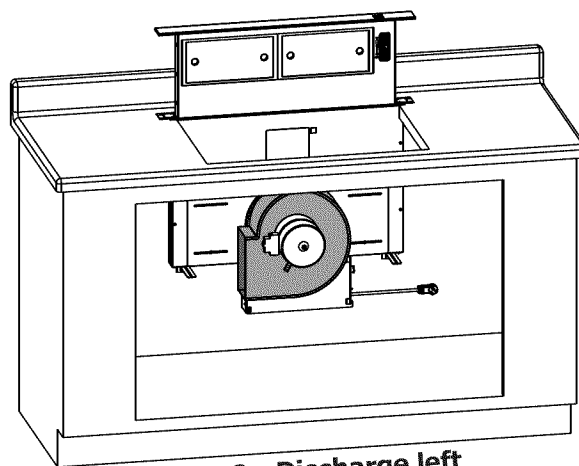


Fig. 2 - Discharge left

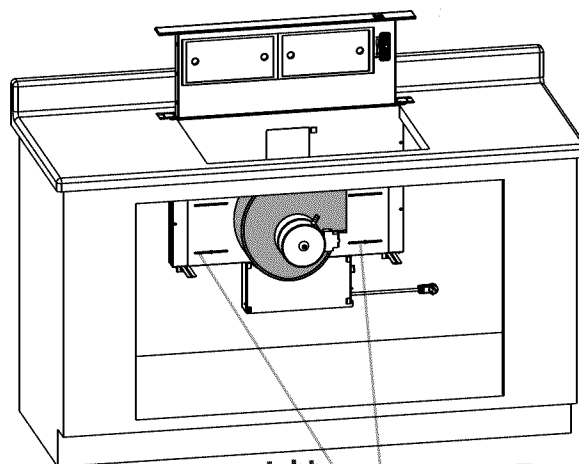
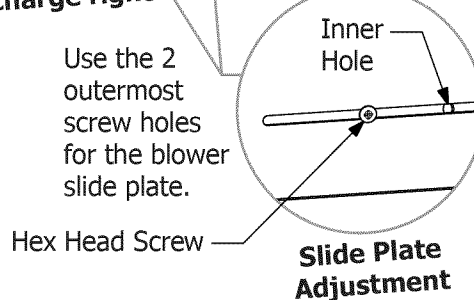


Fig. 3 - Discharge right



CAUTION

To reduce risk of fire and to properly exhaust air, be sure to duct air outside – Do not vent exhaust air into spaces within walls or ceilings or into attics, crawl spaces, or garages.

PLANNING

Plan the Electrical Connection

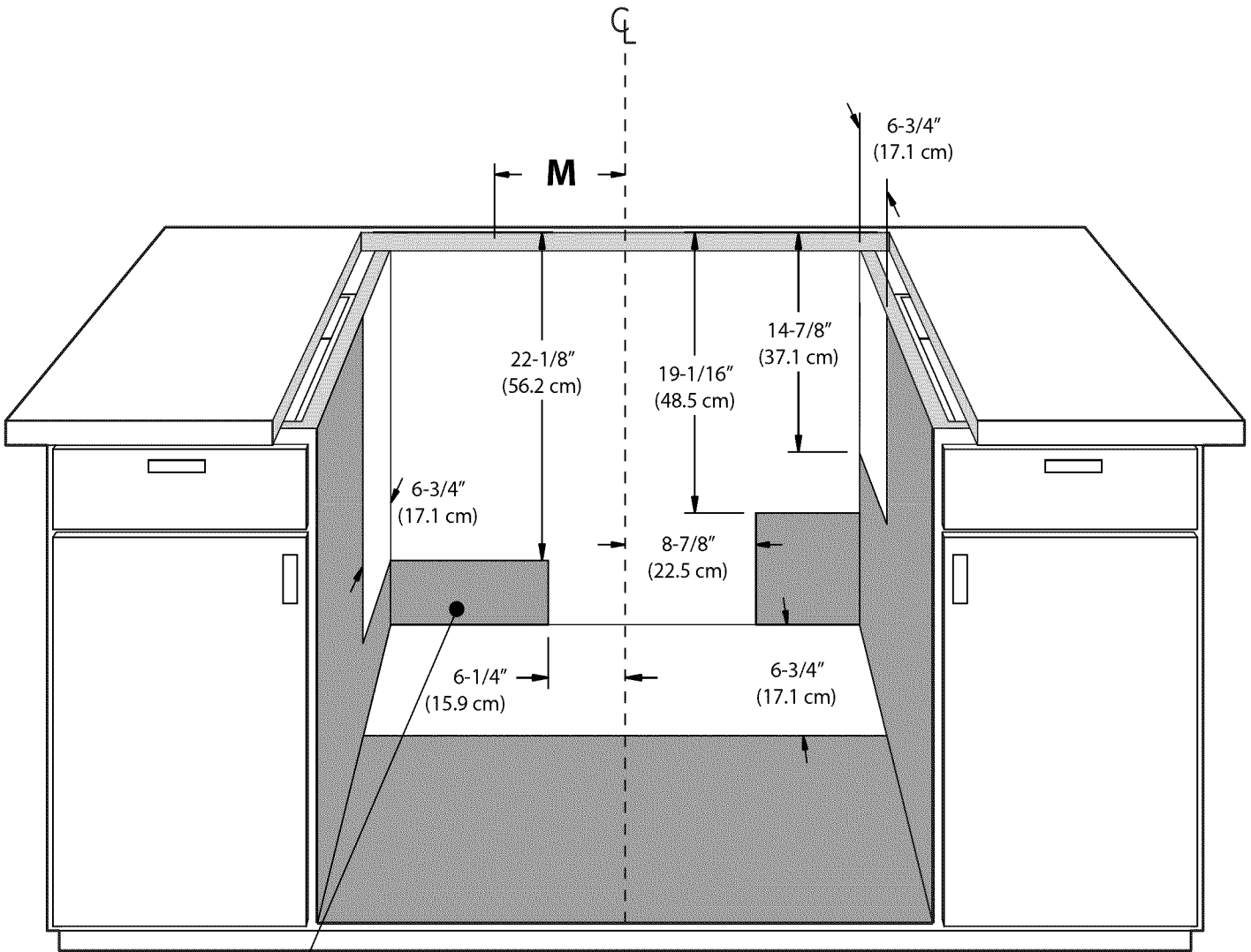
The downdraft blower system draws 2.8 AMPS and requires a 120 VAC, 60 Hz circuit.

The unit has a 28 inches long power cord with a 3 pronged plug. Plan to provide a grounded outlet in a location which will allow the unit's power cord to reach.

NOTE

If the 30" model is being installed in a 30" wide cabinet or the 36" model in a 36" wide cabinet, the outlet cannot be located on the back wall of cabinet.

Outlet may also be wall-mounted with access hole in cabinet.



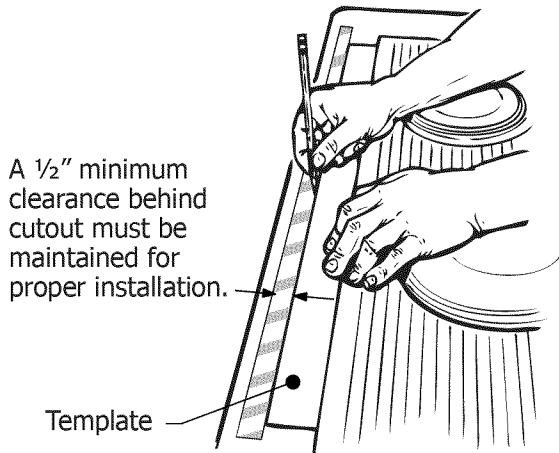
Recommended Electrical Outlet Locations (All Shaded Areas)

Electrical Outlet Location	
Model	M - From Center
FH30DD50MS	13 1/2" (34.3 cm)
FH36DD50MS	16 1/2" (42.0 cm)

All vertical dimensions relative to **top surface** of the countertop. All horizontal dimensions relative to **cutout** in the countertop. Ensure that access to the electrical outlet will not be blocked by the ducting after installation.

1. Cut Countertop Opening

- Lay out and cut the cooktop cut-out far enough forward so downdraft will fit behind it (refer to cooktop installation instructions).
- Set cooktop in place and slide it as far forward as possible. Center and square it with edges of countertop.



- Place the template against the back flange of the cooktop and center it. Trace around template to mark the downdraft opening.
- Remove cooktop from countertop.
- Cut downdraft opening. Be careful not to chop edges of countertop. Mask the countertop to help prevent scratching the surface.
- A 1/2" minimum clearance behind cutout must be maintained behind the telescopic downdraft for proper installation.

NOTE

Cabinet constructions may vary. Be sure to take cabinet frame members into account. They may have to be removed or relocated. Do not compromise the structural integrity of the cabinet in doing so.

2. Install Electrical Outlet

- Mount a standard wiring box, with 3-pronged grounded receptacle, inside the cabinet. Make sure the downdraft's power cord can easily reach it.
- Run appropriate power cable into cabinet and connect it to receptacle.

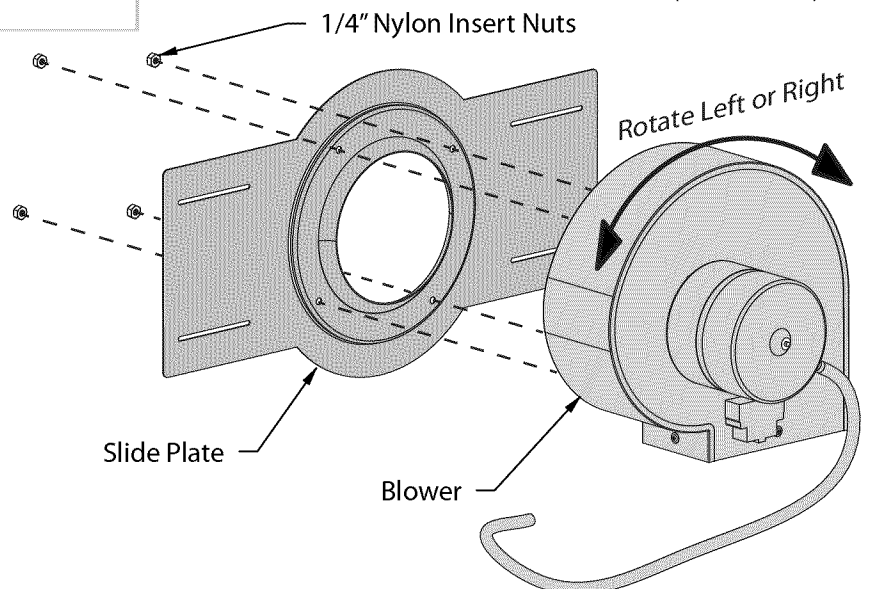
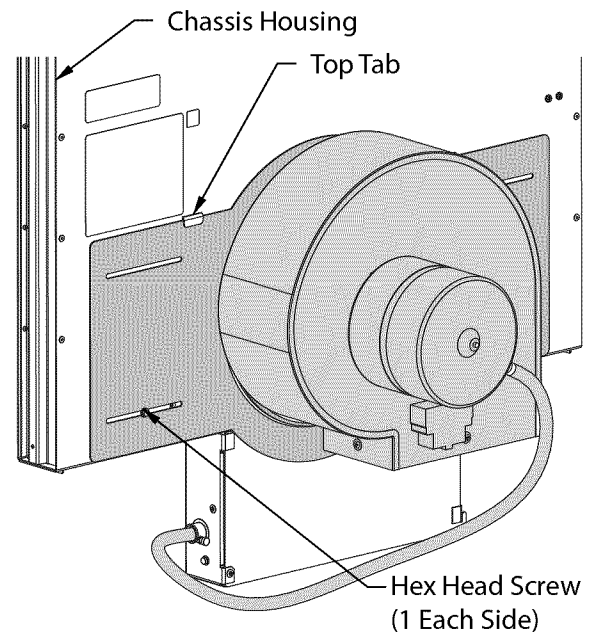
3. Prepare the Downdraft Blower System Duct Connection

The downdraft is shipped with blower oriented for exhaust discharge down. Follow directions below to change to left or right exhaust discharge.

Remove the blower and slide plate from the chassis housing by removing the two Phillips screws from the bottom slots and detaching the slide plate from the top tabs.

Remove the four 1/4" nylon insert nuts from the blower studs and detach the slide plate. Rotate the blower 90 degrees left or right as required for ducting and reattach to the slide plate. Re-install the four 1/4" nylon insert nuts on the blower studs.

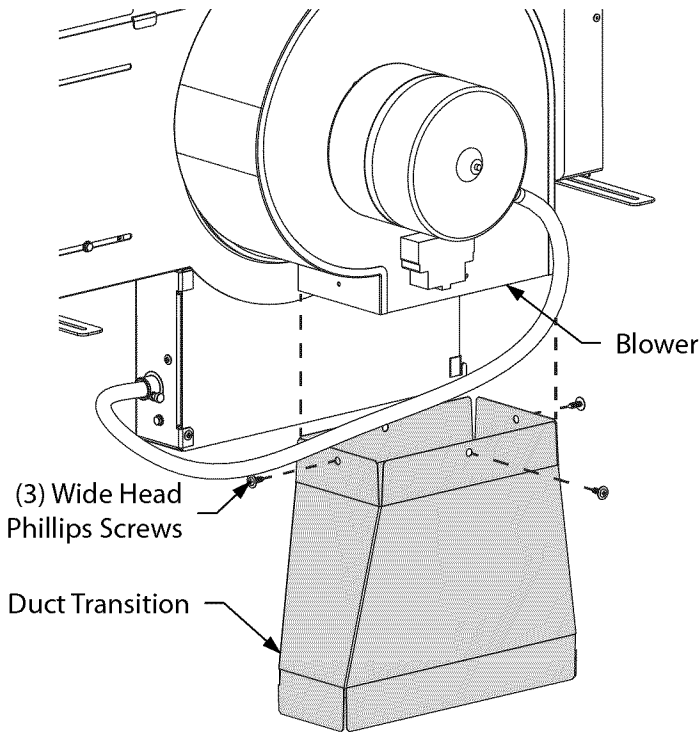
Replace the blower and slide plate assembly by placing the slide plate underneath the top tabs and re-installing the two Hex Head screws in the bottom slots.



INSTALLATION

4. Install Duct Transition to Blower

Install the duct transition on the blower, using the three wide head Phillips screws. It is recommended for all duct joints, the seam between the blower and the duct transition should be sealed with duct tape over the screws.



5. Mount the Unit

Set downdraft into opening and position with the back of the unit contacting the back edge of the cutout.

Stabilizing brackets should be installed at the bottom of the vent chassis housing and just below the bottom of the cooktop chassis.

Lower stabilizing brackets Down and Right Blower Discharge:

One stabilizing bracket should be installed on each side of the vent chassis housing.

Remove the hex head screws from the bottom of the vent chassis housing and use them to attach each bracket to the bottom of the housing. Slide the brackets to the back wall of the cabinet so that the vent chassis housing is vertical, check the level of the vent on both the right and left sides, and tighten the screws.

Lower stabilizing brackets Left Blower Discharge:

One stabilizing bracket should be installed on the right side of the vent chassis housing and one on the left side of the control box.

Remove the hex head screws from the bottom of the vent chassis housing and use them to attach each bracket to the bottom of the housing. Slide the brackets to the back wall

of the cabinet so that the vent chassis housing is vertical, check the level of the vent on both the right and left sides, and tighten the screws.

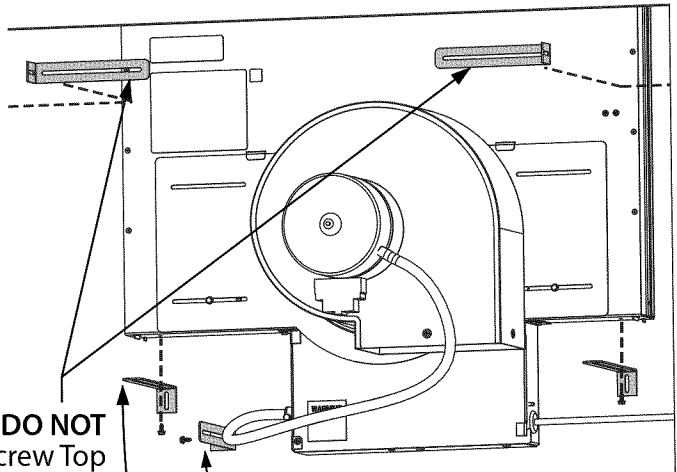
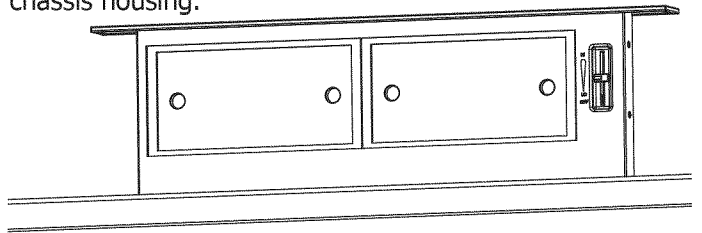
Attach the stabilizing brackets to the back wall using the appropriate screws for your cabinet material and thickness. These screws are not supplied with downdraft system.

The end of the stabilizing bracket may have to be bent down for transition duct clearance.

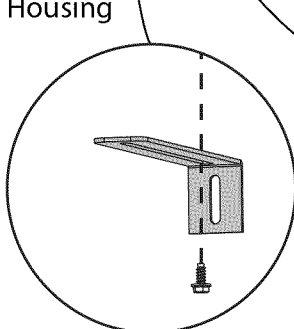
Upper stabilizing brackets:

⚠Caution: Do not attach the upper bracket to the vent with screws, doing so may jam the vent.

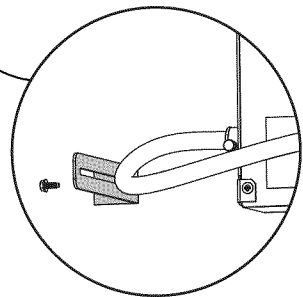
Attach a stabilizing bracket to the left and right cabinet walls just below the bottom of the cooktop chassis. The long leg of the bracket must be in contact with the vent chassis housing.



DO NOT Screw Top Stabilizing Brackets to Chassis Housing



Remove screws from the chassis housing and re-use to install the brackets.



Alternate bracket location: Remove the screw from the left side of the control box and re-use to install the left bracket. Required for left side blower discharge.

6. Install Ductwork

- Use galvanized or aluminum duct in 6" round or 3 1/4" x 10" size, or a combination of both. PVC duct should be used if installing under a poured concrete slab. Use the shortest and straightest duct run possible.

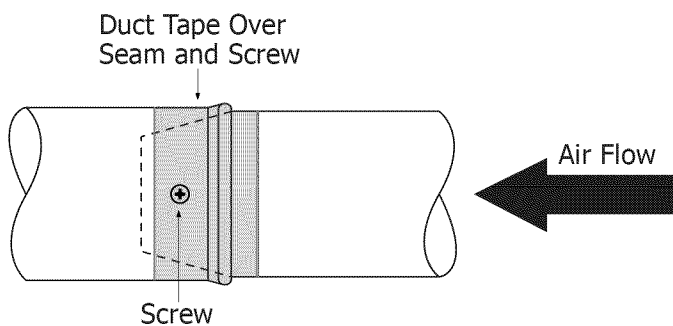
The system will operate most efficiently when the ductwork does not exceed 60 feet of equivalent duct. The downdraft will operate properly with ductwork up to 100 equivalent feet of duct. See page 12 for Calculated Duct Length Table.

NOTE

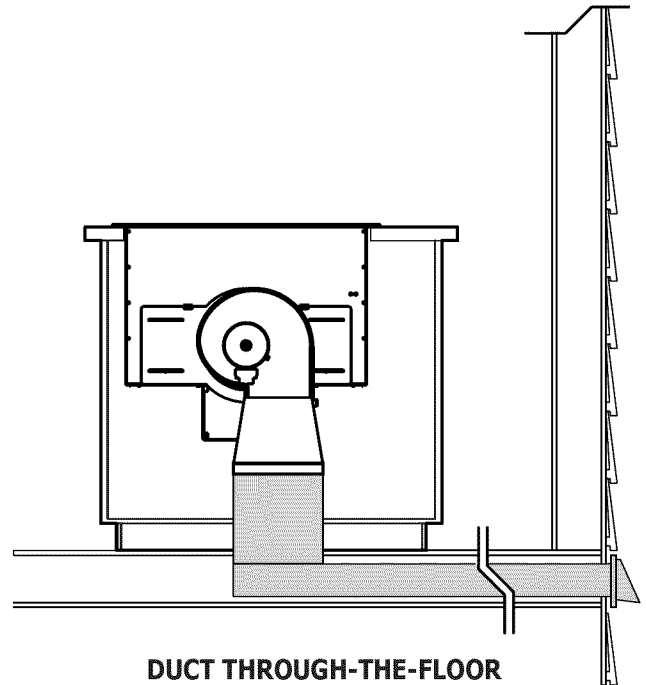
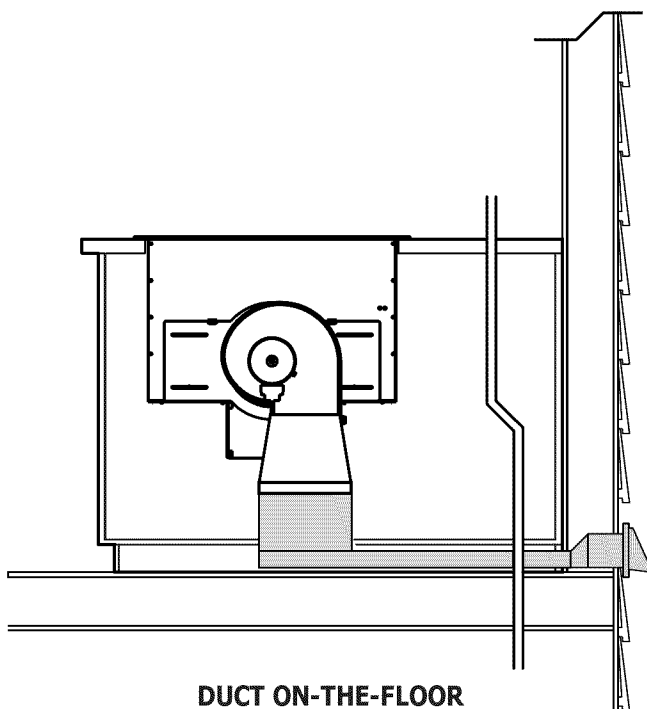
Local building codes must be followed in specifying approved type and specification of ALL duct used. Always use an appropriate roof or wall cap with damper.

IMPORTANT

All ductworks must be installed as per local codes.



DUCT TAPE OVER SEAM AND SCREW



7. Connect Downdraft to Power

- Plug the downdraft's power cord into the outlet.
- Make sure the power cord is routed beneath the appliance and away from heat generated by the cooktop.

8. Install Cooktop

- Align the cooktop with the downdraft and fasten cooktop in place.

NOTE

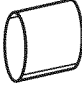



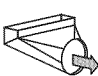
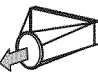
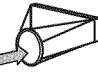
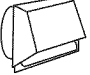
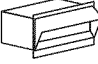

Accurate alignment of cooktop and downdraft is necessary to ensure that there is no interference when air vent is raised and lowered. There should be a gap of 1/8" between the back of the cooktop and the front of the downdraft cover.

INSTALLATION

Calculating Duct Length Table

For maximum efficiency, use the shortest and straightest duct possible. The system will operate most efficiently when the ductwork does not exceed 60 feet of equivalent duct. The downdraft will operate properly with ductwork up to 100 equivalent feet of duct.

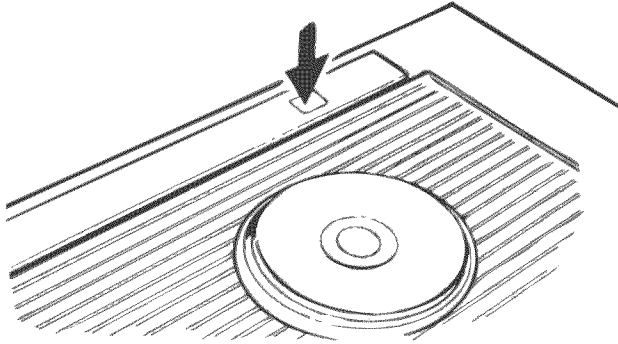
Calculations are approximate and based on HVAC industry standards.

DUCT PIECES		EQUIVALENT LENGTH X	NUMBER USED =	EQUIVALENT LENGTH
	6" (15.2cm) Round Straight **	1 Ft. (0.3m)		Ft. or m
	6" (15.2cm) Round Metal Flex No Bends **	1.5 Ft. (0.45m)		Ft. or m
	6" (15.2cm) 90° Elbow	10 Ft. (3m)		Ft. or m
	6" (15.2cm) 45° Elbow	5 Ft. (1.5m)		Ft. or m
	3¼" x 10" (8.2cm x 25.4cm) Straight **	1 Ft. (0.3m)		Ft. or m
	3¼" x 10" (8.2cm x 25.4cm) 90° Elbow	10 Ft. (3m)		Ft. or m
	3¼" x 10" (8.2cm x 25.4cm) 45° Elbow	5 Ft. (1.5m)		Ft. or m
	3¼" x 10" (8.2cm x 25.4cm) 90° Flat Elbow	10 Ft. (3m)		Ft. or m
	3¼" x 10" (8.2cm x 25.4cm) to 6" (15.2cm) Round Transition 90° Elbow	30 Ft. (9m)		Ft. or m
	6" (15.2cm) Round to 3¼" x 10" (8.2cm x 25.4cm) Transition 90° Elbow	30 Ft. (9m)		Ft. or m
	3¼" x 10" (8.2cm x 25.4cm) to 6" (15.2cm) Round Transition	5 Ft. (1.5m)		Ft. or m
	6" (15.2cm) Round to 3¼" x 10" (8.2cm x 25.4cm) Transition	5 Ft. (1.5m)		Ft. or m
	6" (15.2cm) Round Wall Cap with Damper	30 Ft. (9m)		Ft. or m
	3¼" x 10" (8.2cm x 25.4cm) Wall Cap with Damper	30 Ft. (9m)		Ft. or m
	6" (15.2cm) Round Roof Cap	30 Ft. (9m)		Ft. or m
TOTAL DUCTWORK				Ft. or m

** For Straight Round / Rectangular Duct, measure actual linear feet used and then multiply by Equivalent Length shown.

Operating the Telescoping Downdraft System

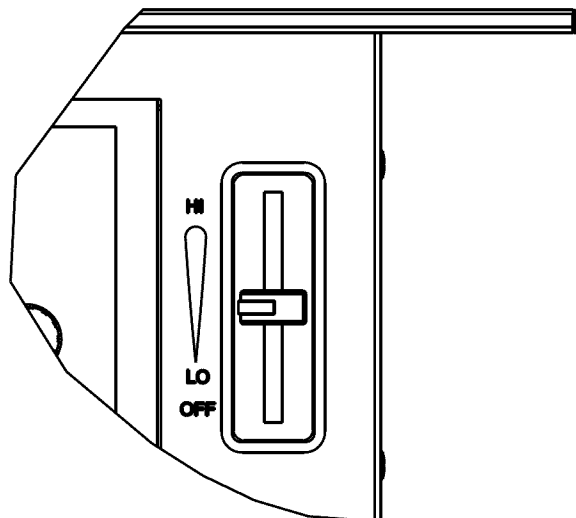
- Raise the downdraft by pressing the raise/lower push button. The telescoping vent will rise up to full height.



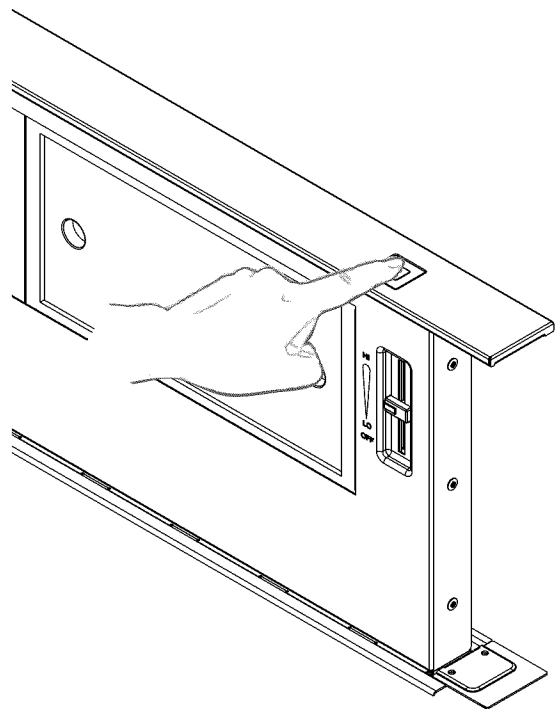
- The blower can then be turned on by sliding the control knob up.

- The blower speed can be adjusted by sliding the control knob between the Hi and Lo positions.

- The blower is turned off by sliding the adjusting knob to the OFF position.



- The blower can also be turned off by simply pressing the raise/lower push button and lowering the telescoping vent.



- Upon raising the telescoping vent again, the blower will automatically turn on at the selected speed.

- Always turn the downdraft blower ON before you begin cooking to establish an air flow in the kitchen. Let the blower run for a few minutes to clean the air after you turn the cooktop OFF.

NOTE

If there is a power interruption with the telescoping vent in the up position, pressing the raise/lower push button will lower the telescoping vent. Normal operation can then resume.

USE & CARE

Cleaning the Telescoping Downdraft Vent

! WARNING

It is advised to disconnect power from the downdraft when cleaning to minimize risk of electrical shock or damaging the appliance due to spills onto electrical components.

! CAUTION

Before cleaning the telescoping downdraft make sure the cooktop is Off and all surfaces are cool.

Daily: Wipe spills and spatters from the telescoping downdraft vent and trim as advised below.

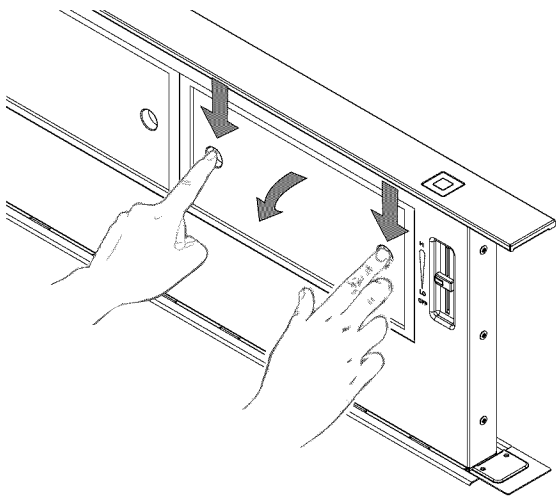
Every three months: To prevent odors and grease build-up, the filters and the telescoping downdraft vent should be cleaned.

Preparing to Clean the Telescoping Downdraft

- Raise the downdraft to its full height by using the raise/lower push button.

Cleaning the Filters

- Remove the filters by pressing down then pulling towards you with the provided finger holds.



- The grease filters can be washed in a mild detergent and warm water. After cleaning, rinse with clean water and dry thoroughly.
- The filters can also be washed in the dishwasher.
- Put the filters back in, by inserting the bottom of the filter in the front of the telescoping vent and then gently pushing down then back, again utilizing the provided finger holds.

Cleaning of the Telescoping Vent

- Clean the stainless steel and plastic controls with a dishcloth and hot soapy water.
- Rinse with a dishcloth and clean water.
- Wring excess water from the dishcloth when cleaning or rinse. Excess water in the controls may cause permanent damage to the appliance.
- Only use kitchen cleaners that are especially made for cleaning stainless steel.
- Always be sure to rinse cleaners from the surface as permanent blueish stains may occur upon heating.
- **DO NOT** use cleaners with high concentrations of chlorides or chlorines.
- **DO NOT** use commercial oven cleaners on the downdraft.
- **DO NOT** use abrasive cloth, steel wool pads or scouring powders on the downdraft surfaces.
- **DO NOT** flush downdraft or blower with water or cleaning agents.
- **DO NOT** allow grease or other debris to accumulate on the exterior or interior of the telescoping vent.

Downdraft Operation After Disconnecting Power

- Once the downdraft is clean and dry, reconnect power to the downdraft.
- Press the raise/lower push button to reset the unit. The telescoping vent will lower. Normal operation can then resume.

! WARNING

Clean ventilating fans frequently. Grease should not be allowed to accumulate on fan or filter. Allowing grease to build up on the outside or inside of the telescoping vent creates a fire risk.

! CAUTION

Do not operate the ventilation system without the filters in place.

BEFORE YOU CALL (Solutions to Common Problems)

IMPORTANT

Before you call for service, review this list. It may save you time and expense. The list includes common occurrences that are not the result of defective workmanship or materials in this appliance.

OCCURRENCE	POSSIBLE CAUSE/SOLUTION
Telescoping Vent does not fully raise	Check for and remove obstructions. The telescoping vent is designed to tilt and stop with obstructions. The raise/lower push button will reverse direction of travel and reset the telescoping vent travel. Allow the telescoping vent to fully raise or lower after encountering an obstruction.
	If the telescoping vent does not respond to the raise/lower push button, it can be straightened or helped along by hand and the switch should be tried again.
	DO NOT attempt to lubricate the telescoping vent. It is factory lubricated for life.
Blower does not turn on	Make sure telescoping vent is in the upper most position.
	Make sure the blower slide adjustment is not in the off position.
	If used for an extended period of time, allow the blower to cool. The blower is thermally protected and will shut off until cooled sufficiently. It will resume normal operation when cool.

MAJOR APPLIANCE WARRANTY

Your appliance is covered by a one year limited warranty. For one year from your original date of purchase, Electrolux will pay all costs for repairing or replacing any parts of this appliance that prove to be defective in materials or workmanship when such appliance is installed, used and maintained in accordance with the provided instructions.

Exclusions This warranty does not cover the following:

- 1 Products with original serial numbers that have been removed, altered or cannot be readily determined.
- 2 Product that has been transferred from its original owner to another party or removed outside the USA or Canada.
- 3 Rust on the interior or exterior of the unit.
- 4 Products purchased "as-is" are not covered by this warranty.
- 5 Food loss due to any refrigerator or freezer failures.
- 6 Products used in a commercial setting.
- 7 Service calls which do not involve malfunction or defects in materials or workmanship, or for appliances not in ordinary household use or used other than in accordance with the provided instructions.
- 8 Service calls to correct the installation of your appliance or to instruct you how to use your appliance.
- 9 Expenses for making the appliance accessible for servicing, such as removal of trim, cupboards, shelves, etc., which are not a part of the appliance when it is shipped from the factory.
- 10 Service calls to repair or replace appliance light bulbs, air filters, water filters, other consumables, or knobs, handles, or other cosmetic parts.
- 11 Surcharges including, but not limited to, any after hour, weekend, or holiday service calls, tolls, ferry trip charges, or mileage expense for service calls to remote areas, including the state of Alaska.
- 12 Damages to the finish of appliance or home incurred during installation, including but not limited to floors, cabinets, walls, etc.
- 13 Damages caused by: services performed by unauthorized service companies; use of parts other than genuine Electrolux parts or parts obtained from persons other than authorized service companies; or external causes such as abuse, misuse, inadequate power supply, accidents, fires, or acts of God.

DISCLAIMER OF IMPLIED WARRANTIES; LIMITATION OF REMEDIES

Customer's sole and exclusive remedy under this limited warranty shall be product repair or replacement as provided herein. Claims based on implied warranties, including warranties of merchantability or fitness for particular purpose, are limited to one year or the shortest period allowed by law, but not less than one year. Electrolux shall not be liable for consequential or incidental damages such as property damage and incidental expenses resulting from any breach of this written limited warranty or any implied warranty. Some states and provinces do not allow the exclusion or limitation of incidental or consequential damages, or limitations on the duration of implied warranties, so these limitations or exclusions may not apply to you. This written warranty gives you specific legal rights. You may also have other rights that vary from state to state.

If You Need Service

Keep your receipt, delivery slip, or some other appropriate payment record to establish the warranty period should service be required. If service is performed, it is in your best interest to obtain and keep all receipts. Service under this warranty must be obtained contacting Electrolux at the addresses or phone numbers below.

This warranty only applies in the USA and Canada. In the USA, your appliance is warranted by Electrolux Major Appliances North America, a division of Electrolux Home Products, Inc. In Canada, your appliance is warranted by Electrolux Canada Corp. Electrolux authorizes no person to change or add to any obligations under this warranty. Obligations for service and parts under this warranty must be performed by Electrolux or an authorized service company. Product features or specifications as described or illustrated are subject to change without notice.

USA
1.800.944.9044
Electrolux Major Appliances
North America
10200 David Taylor Drive
Charlotte, NC 28262



Canada
1.800.265.8352
Electrolux Canada Corp.
5855 Terry Fox Way
Mississauga, Ontario, Canada
L5V 3E4