

FTQ386\* / FE-R300\*  
FTQ352\* / FE-R400\*  
FCQ321\* / FE-R500\*  
FTQ387\* / FE-R700\*  
FTQ353\* / FE-N300\*  
FTQ307\* / FE-N500\*

# Electric Range installation manual

ENGLISH

imagine the possibilities

Thank you for purchasing this Samsung product.  
To receive more complete service, please register  
your product at

[www.samsung.com/register](http://www.samsung.com/register)

1-800-SAMSUNG(726-7864)



This manual is made with 100% recycled paper.



# before you begin

---

## ABOUT THIS MANUAL

---

**READ THESE INSTRUCTIONS COMPLETELY AND CAREFULLY.**

### Important note to the installer

---

- Read all instructions contained in these installation instructions before installing range.
- Remove all packing materials from the oven compartments before connecting the electrical supply to the range.
- Observe all governing codes and ordinances.
- Be sure to leave these instructions with the consumer.

### Important note to the consumer

---

**Keep these instructions for the local electrical inspector's use.**

- As when using any appliance generating heat, there are certain safety precautions you should follow.
- Be sure your range is installed and grounded properly by a qualified installer or service technician.
- Make sure the wall coverings around the range can withstand the heat generated by the range.
- To eliminate the need to reach over the surface elements, cabinet storage space above the elements should be avoided.
- The range should not be placed on a base.

## FOR YOUR SAFETY

---



**WARNING** If the information in this manual is not followed exactly, a fire or electrical shock may result causing property damage, personal injury or death.

---



**WARNING** Before beginning the installation, switch power off at the service panel and lock the service disconnecting means to prevent power from being switched on accidentally. When the service disconnecting means cannot be locked, securely fasten a prominent warning device, such as a tag, to the service panel.

---



**WARNING** This appliance must be properly grounded.

---

## ANTI-TIP DEVICE

---

TO REDUCE THE RISK OF TIPPING, THE APPLIANCE MUST BE SECURED BY PROPERLY INSTALLING THE ANTI-TIP BRACKET PROVIDED WITH THIS APPLIANCE.

---



**WARNING**

- **ALL RANGES CAN TIP**
  - **INJURY TO PERSONS COULD RESULT**
  - **INSTALL ANTI-TIP BRACKET PACKED WITH RANGE**
  - **SEE INSTALLATION MANUAL**
- 

If you pull the range out and away from the wall for any reason, make sure the Anti-Tip bracket is engaged when the range is pushed back against the wall.

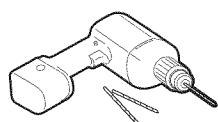
# preparing to install the range

## REMOVE PACKAGING

Remove packaging materials. Failure to remove packaging materials could result in damage to the appliance.

## PREPARE TOOLS & PARTS

### What tools you will need



Drill



Adjustable Wrench



Pliers



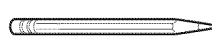
1/4" Nut Driver



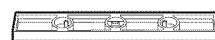
Phillips Screwdriver



Flat Screwdriver



Pencil



Level

### What's included with your range



Template



Anti-Tip Bracket



Screws (2 ea)

### What's not included



**4-Wire Cord or 3-Wire Cord**  
(UL Approved 40 or 50 AMP)



**Strain Relief**  
(For Conduit Installation Only)

## CHECKING THE INSTALLATION SITE

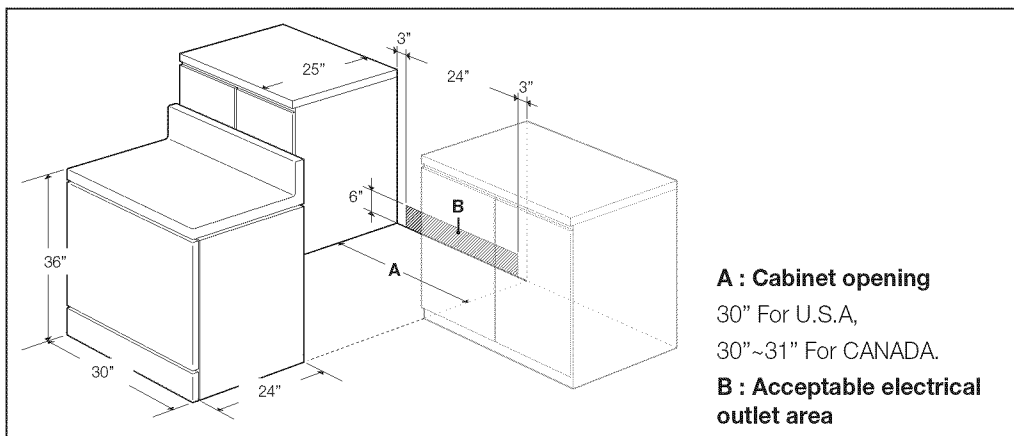
### Clearances and dimensions

To install the range, refer to the following figure.

**For installation in CANADA, a Free-standing range is not to be installed closer than 12mm from any adjacent surface.**

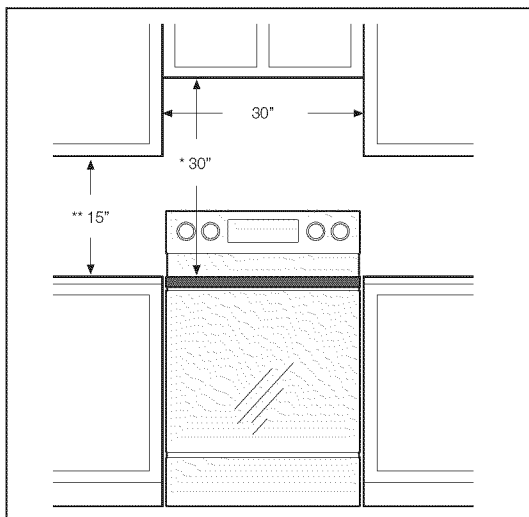


**CAUTION** This range has been designed to comply with the maximum allowable wood cabinet temperatures of 194°F. Make sure the wall covering, countertops and cabinets around the range can withstand the heat (up to 194°F) generated by the range. If not, discoloration, delamination or melting may occur.



### Minimum dimensions


**★ IMPORTANT** To eliminate the risk of burns or fire caused by reaching over heated surface units, cabinet storage space located above the surface units should be avoided. If cabinet storage is to be provided, the risk can be reduced by installing a range hood that projects horizontally a minimum of 5" beyond the bottom of the cabinets.



## 4\_ Preparing to install the range

# connecting the power

## STEP 1. MEETING ELECTRICAL CONNECTION REQUIREMENTS

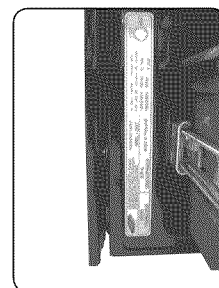
 **CAUTION** For personal safety, do not use an extension cord with this appliance. Remove house fuse or open circuit breaker before beginning installation.

This appliance must be supplied with the proper voltage and frequency, and connected to an individual properly grounded branch circuit, protected by a circuit breaker or fuse having amperage as specified on the rating plate. The rating plate is located above the drawer on the oven frame. **(Fig. 1 or Fig. 2)**

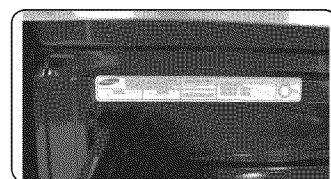
We recommend you have the electrical wiring and hookup of your range connected by a qualified electrician. After installation, have the electrician show you where your main range disconnect is located.

Check with your local utilities for electrical codes which apply in your area. Failure to wire your oven according to governing codes could result in a hazardous condition. If there are no local codes, your range must be wired and fused to meet the requirements of the National Electrical Code, ANSI/NFPA No. 70–Latest Edition. You can get a copy by writing:

National Fire Protection Association  
Batterymarch Park  
Quincy, MA 02269



(Fig. 1)



(Fig. 2)

**Effective January 1, 1996, the National Electrical Code requires that new construction (not existing) utilize a 4-conductor connection to an electric range.**

**When installing an electric range in new construction, follow Steps 2 and 3 for 4-wire connection.**

You must use a 3-wire, single-phase A.C. 208Y/120 Volt or 240/120 Volt, 60 hertz electrical system. If the electrical service provided does not meet the above specifications, have a licensed electrician install an approved outlet.

Use only a 3-conductor or a 4-conductor UL-listed range cord. These cords may be provided with ring terminals on wire and a strain relief device.

A range cord rated at 40 amps with 125/250 minimum volt range is required. A 50 amp range cord is not recommended but if used, it should be marked for use with nominal 1 $\frac{3}{8}$ " diameter connection openings. Care should be taken to center the cable and strain relief within the knockout hole to keep the edge from damaging the cable.

- Because range terminals are not accessible after range is in position, flexible service conduit or cord must be used.

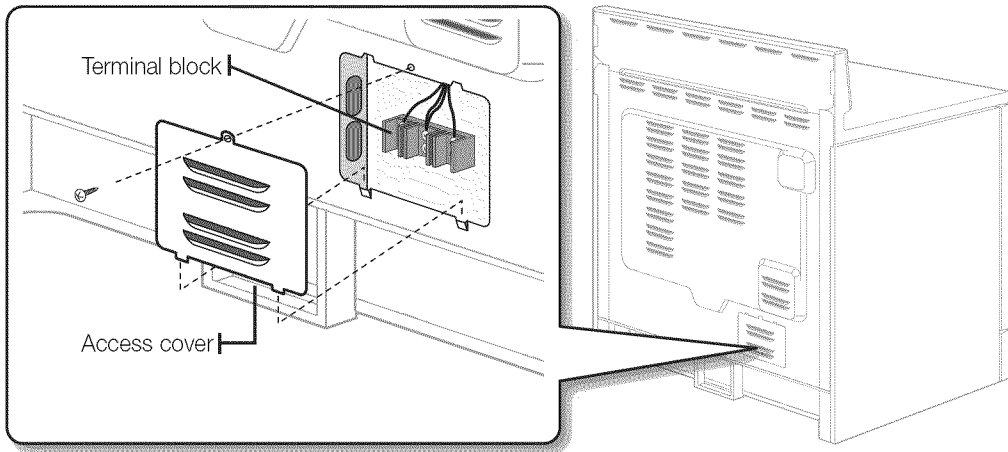
 **NOTE** If conduit is being used, go to Step 4 on page 9.



**ALL NEW BRANCH-CIRCUIT CONSTRUCTIONS, MOBILE HOMES, RECREATIONAL VEHICLES AND INSTALLATIONS WHERE LOCAL CODES DO NOT ALLOW GROUNDING THROUGH NEUTRAL, REQUIRE A 4-CONDUCTOR UL-LISTED RANGE CORD.**

## STEP 2. ACCESSING THE POWER CORD CONNECTION

Remove the rear access cover and loosen the screw with a screwdriver. The terminal block will then be accessible.

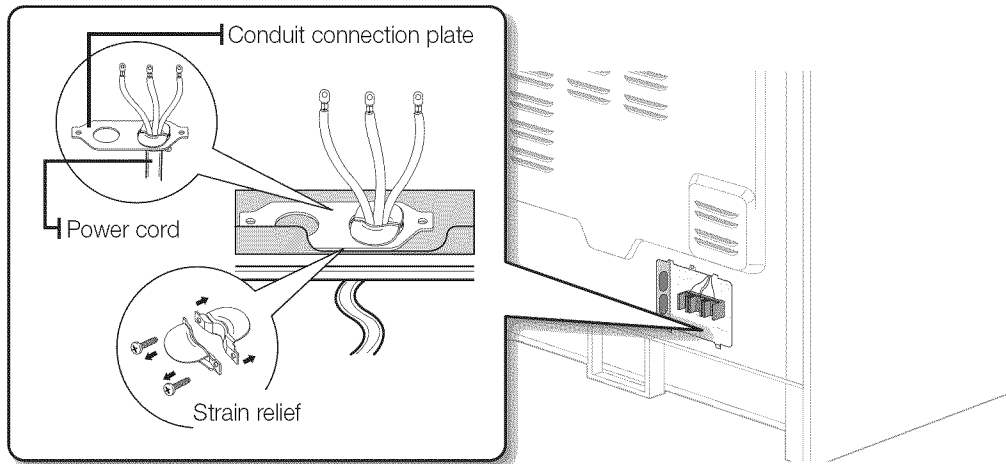


### Specified power-supply-cord kit rating

Range rating, watts		Specified rating of power-supply-cord kit, amperes	Diameter (inches) of range connection opening	
120/240 volts 3-wire	120/208 volts 3-wire		Power cord	Conduit
8,750 - 16,500	7,801 - 12,500	40 or 50A	1 <sup>3</sup> / <sub>8</sub> "	1 <sup>1</sup> / <sub>8</sub> "

## STEP 3. INSTALLING THE POWER CORD

For power cord installations, hook the strain relief over the power cord hole ( $1\frac{3}{8}$ " ) located below the rear of the drawer body. Insert the power cord through the strain relief and tighten the device.

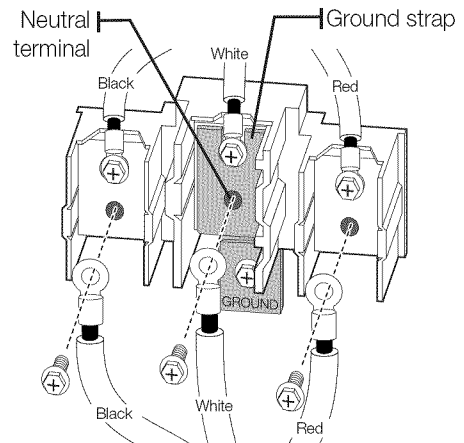


- **You must install the power cord with a strain relief.**
- Attach the strain relief to the  $1\frac{3}{8}$ " opening in conduit connection plate.

### Installing a 3-wire power cord

**WARNING** The neutral or ground wire of the power cord must be connected to the neutral terminal located in the center of the terminal block. The power leads must be connected to the lower left and the lower right terminals of the terminal block.

1. Remove the 3 lower terminal screws from the terminal block.
2. Insert the 3 terminal screws through each power cord terminal ring and into the lower terminals of the terminal block. Be certain that the center wire (white/neutral) is connected to the center lower position of the terminal block.
3. Tighten screws securely into the terminal block. **DO NOT remove the ground strap connection.**
4. Go to **step 5** on page 10 and proceed with the installation.

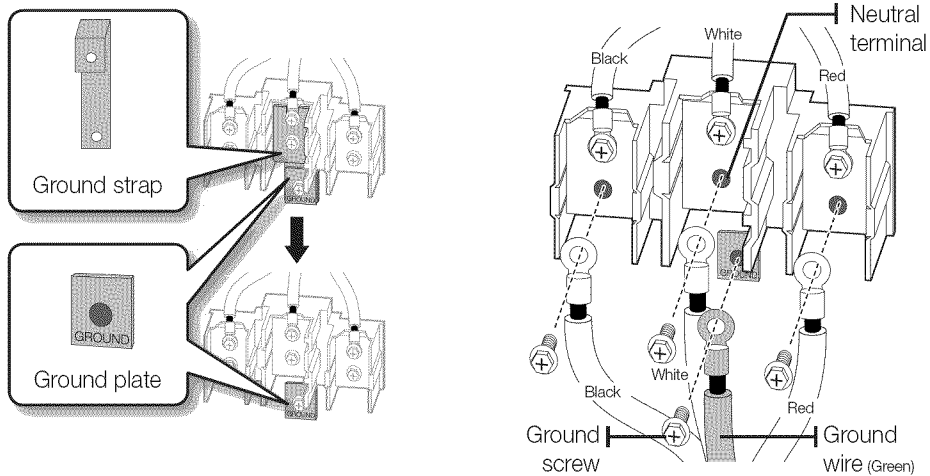


## Installing a 4-wire power cord



**WARNING** The neutral wire of the supply circuit must be connected to the neutral terminal located in the lower center of the terminal block. The power leads must be connected to the lower left and the lower right terminals of the terminal block. The 4th grounding lead must be connected to the frame of the range with the ground plate and the ground screw.

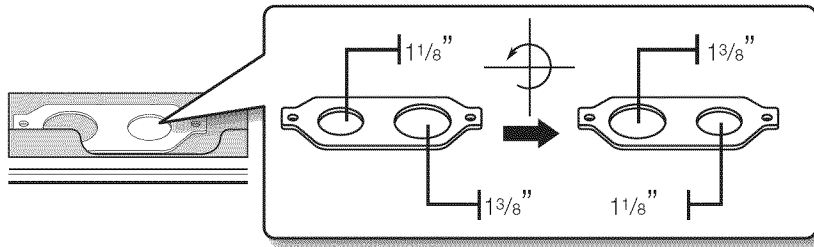
1. Remove the 3 lower terminal screws from the terminal block. Remove the ground screw and ground plate and retain them.
2. **Cut and discard the ground strap. Do not discard any screws.**
3. Insert the one ground screw into the power cord ground wire terminal ring, through the ground plate, and into the frame of the range.
4. Insert the 3 terminal screws (removed earlier) through each power cord terminal ring and into the lower terminals of the terminal block. Be certain that the center wire (white/neutral) is connected to the center lower position of the terminal block. Tighten screws securely into the terminal block.
5. Go to **step 5** on page 10 and proceed with the installation.



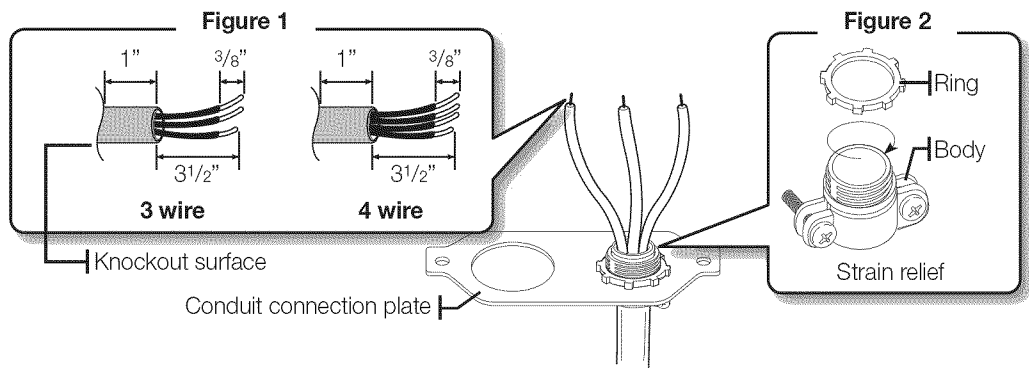


## STEP 4. INSTALLING THE CONDUIT

Remove the conduit connection plate from the rear of the drawer body and rotate it as shown below. The conduit hole ( $1\frac{1}{8}$ "") must be used.



1. Prepare the conduit cord shown in Figure 1.
2. Install the conduit cord as shown in Figure 2.

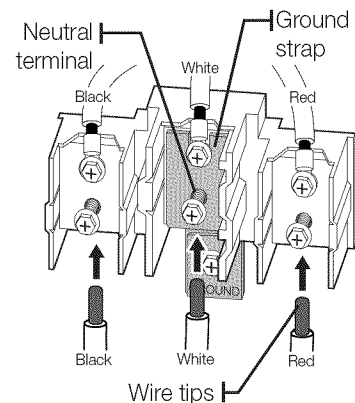


For conduit installations, insert the strain relief (not included) into the conduit hole ( $1\frac{1}{8}$ ""). Then thread the conduit cord through the body of the strain relief and fasten the ring. Reinstall the bracket.

### Installing a 3-wire conduit

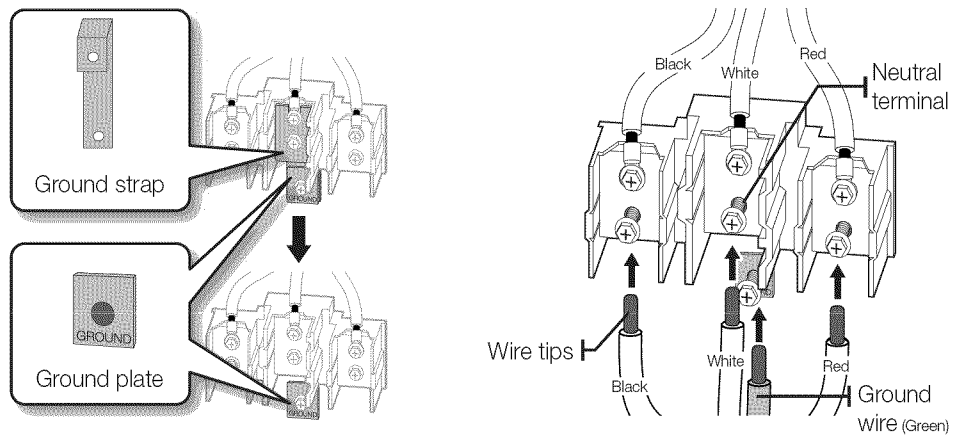
- Aluminum building wire may be used but it must be rated for the correct amperage and voltage to make the connection. Connect wires according to Step 4 depending on the number of wires.
- Wire used, location and enclosure of splices, etc., must conform to good wiring practices and local codes.

1. Loosen the 3 lower terminal screws from the terminal block.
2. Insert the center bare wire (white/neutral) tip through the bottom center terminal block opening. On certain models, the wire will need to be inserted through the ground strap opening and then into the bottom center block opening.
3. Insert the two side bare wire tips into the lower left and the lower right terminal block openings.
4. Tighten the screws until the wire is firmly secured (35 to 50 inch-lbs.). Do not over-tighten the screws since it could damage the wires.
5. Go to **step 5** on page 10 and proceed with the installation.



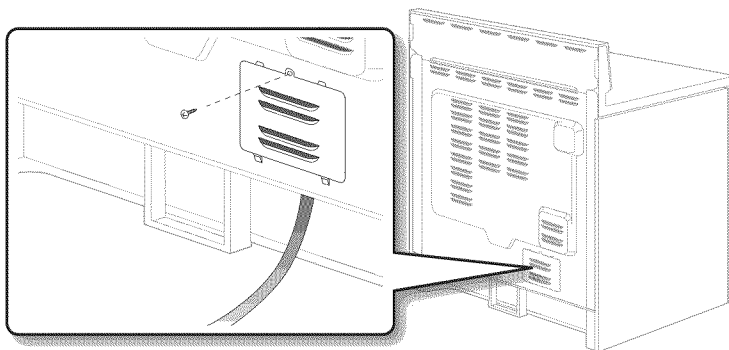
## Installing a 4-wire conduit

- Aluminum building wire may be used but it must be rated for the correct amperage and voltage to make the connection. Connect wires according to this Step 4 depending on the number of wires.
  - Wire used, location and enclosure of splices, etc., must conform to good wiring practices and local codes.
1. Loosen the 3 lower terminal screws from the terminal block. Remove the ground screw and ground plate and retain them.
  2. **Cut and discard the ground strap. Do not discard any screws.**
  3. Insert the ground bare wire tip between the range frame and the ground plate (removed earlier) and secure it in place with the ground screw (removed earlier).
  4. Insert the bare wire (white/neutral) tip through the bottom center of the terminal block opening.
  5. Insert the two side bare wire tips into the lower left and the lower right terminal block openings.
  6. Tighten the screws until the wire is firmly secured (35 to 50 inch-lbs.). Do not over-tighten the screws since it could damage the wires.
  7. Go to **step 5** and proceed with the installation.



## STEP 5. REPLACING THE ACCESS COVER

Replace the access cover on the range back. To replace the wire cover, insert double projections in the pockets located below the opening and tighten the screw.

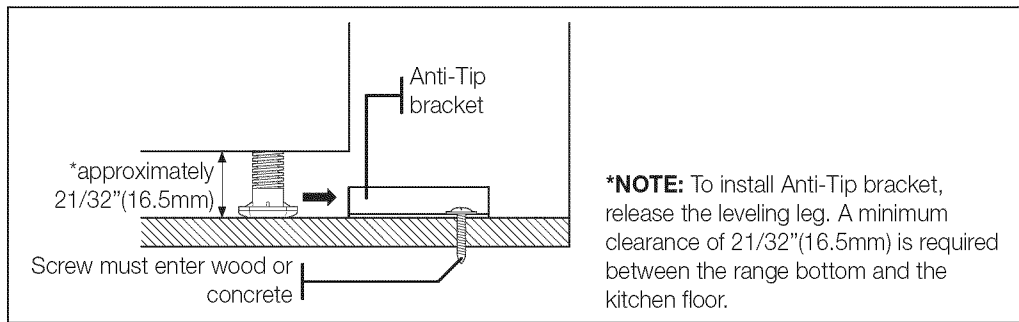


# installing the range

## INSTALLING THE ANTI-TIP DEVICE

**WARNING** To reduce the risk of tipping, the appliance must be secured by properly installing the Anti-Tip device packed with the appliance.

- Refer to the installation instructions supplied with the bracket.
- Unless properly installed, the range could be tipped by stepping or sitting on the door. Injury may result from spilled hot liquids or from the range itself.

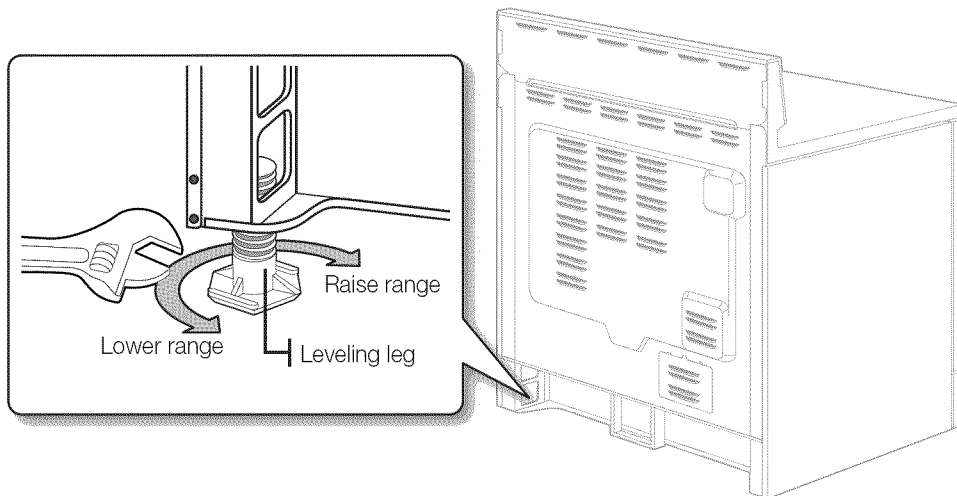


### 1. Locate the bracket using the template

The Anti-Tip bracket is packaged with a template. The instructions include information necessary to complete the installation. Read and follow the instructions on the sheet (template) for range installation.

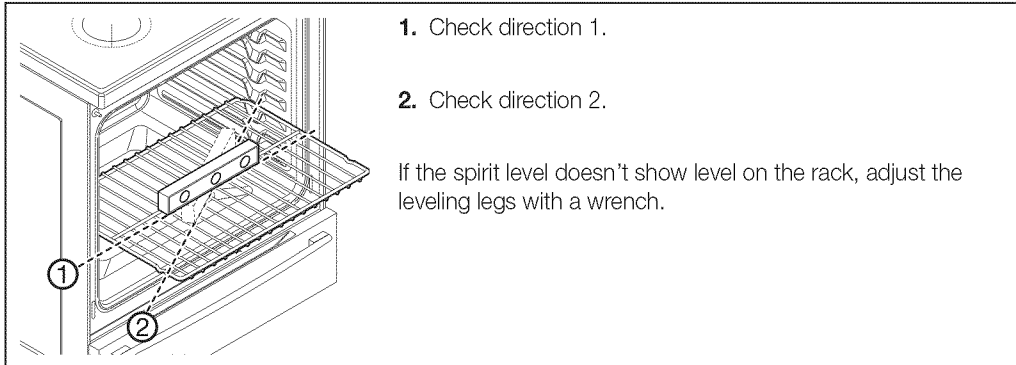
### 2. Level the range

Level the range by adjusting the leveling legs with a wrench.



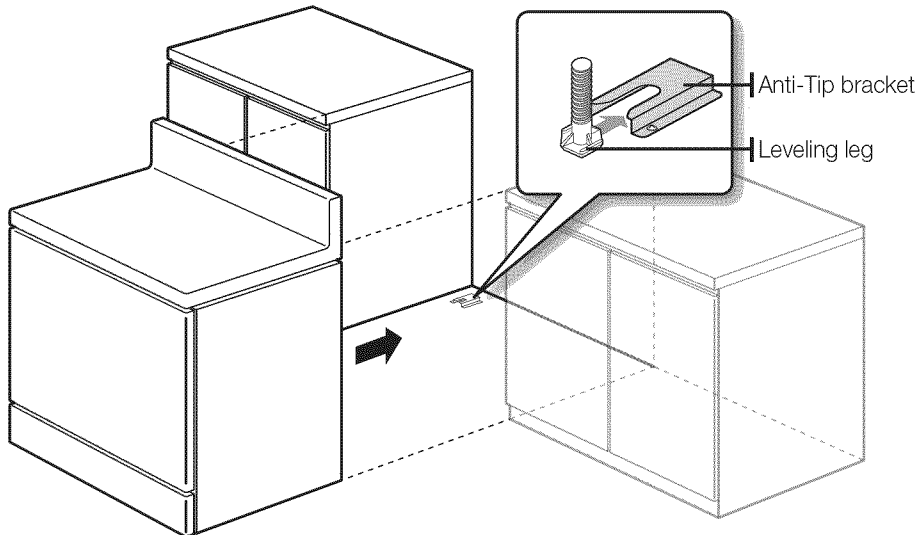
### 3. Check your adjustments

Use a spirit level to check your adjustments. Place the level diagonally on the oven rack, and check each direction for level.



## FINALIZING THE INSTALLATION

- Move range close enough to the opening to plug into the receptacle.
- Slide range into position insuring that the rear left(or rear right) leg slides under the Anti-Tip bracket. The range will sit 0" away from the back wall when properly installed.
- Carefully tip the range forward to insure that the Anti-Tip bracket engages the back brace and prevents tip-over.
- Turn on the electrical power. Check the range for proper operation as described in the user manual.



DG68-00108E-01\_EN