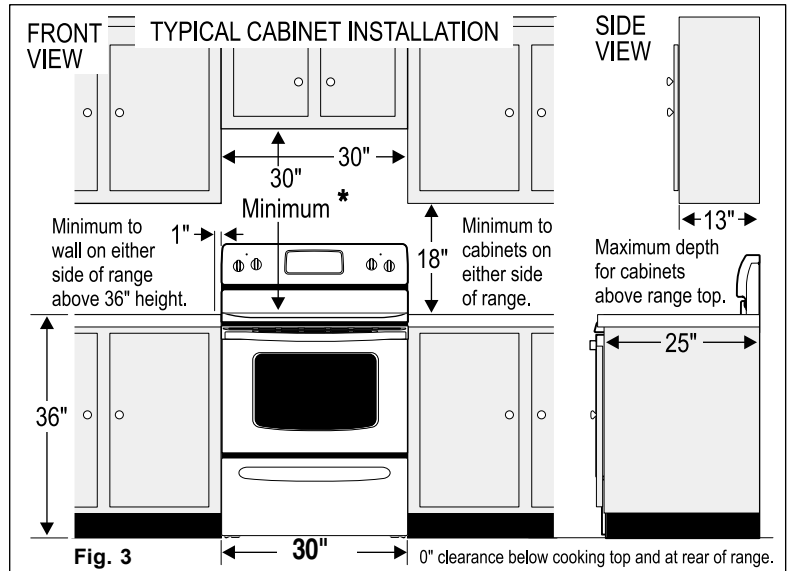
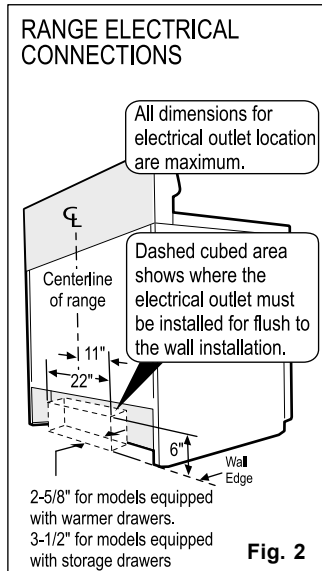
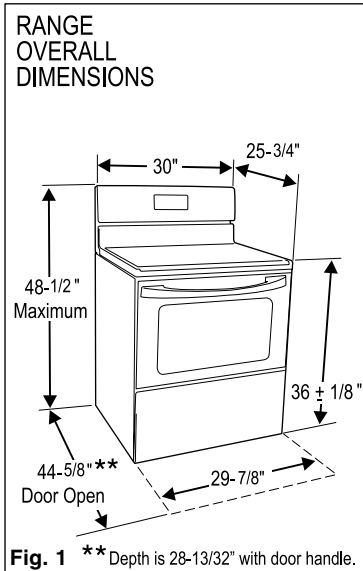


INSTALLATION INSTRUCTIONS FOR FREESTANDING ELECTRIC RANGE

**INSTALLATION AND SERVICE MUST BE PERFORMED BY A QUALIFIED INSTALLER.
IMPORTANT: SAVE FOR LOCAL ELECTRICAL INSPECTOR'S USE.
READ AND SAVE THESE INSTRUCTIONS FOR FUTURE REFERENCE.**

Clearances and Dimensions

1. **Provide adequate clearances** between the range and adjacent combustible surfaces.
2. **Location—Check location where the range will be installed.** Check for proper electrical supply, and the stability of the floor.
3. **Dimensions that are shown must be used.** Given dimensions provide minimum clearance. Contact surface must be solid and level.



*30" MINIMUM CLEARANCE BETWEEN THE TOP OF THE COOKING SURFACE AND THE BOTTOM OF AN UNPROTECTED WOOD OR METAL CABINET; OR 24" MINIMUM WHEN BOTTOM OF WOOD OR METAL CABINET IS PROTECTED BY NOT LESS THAN 1/4" FLAME RETARDANT MILLBOARD COVERED WITH NOT LESS THAN NO. 28 MSG SHEET STEEL, 0.015" STAINLESS STEEL, 0.024" ALUMINUM OR 0.020" COPPER. 0" CLEARANCE IS THE MINIMUM FOR THE REAR OF THE RANGE. FOLLOW ALL DIMENSION REQUIREMENTS PROVIDED ABOVE TO PREVENT PROPERTY DAMAGE, POTENTIAL FIRE HAZARD, AND INCORRECT COUNTERTOP AND CABINET CUTS.

TO ELIMINATE THE RISK OF BURNS OR FIRE BY REACHING OVER HEATED SURFACE UNITS, CABINET STORAGE SPACE LOCATED ABOVE THE SURFACE UNITS SHOULD BE AVOIDED. IF CABINET STORAGE IS TO BE PROVIDED, THE RISK CAN BE REDUCED BY INSTALLING A RANGE HOOD THAT PROJECTS HORIZONTALLY A MINIMUM OF 5" BEYOND THE BOTTOM OF THE CABINETS.

IMPORTANT SAFETY INSTRUCTIONS

⚠ WARNING

- **ALL RANGES CAN TIP**
- **INJURY TO PERSONS COULD RESULT**
- **INSTALL ANTI-TIP DEVICE PACKED WITH RANGE**
- **SEE INSTALLATION INSTRUCTIONS**

⚠ WARNING If the information in this manual is not followed exactly, a fire or electrical shock may result causing property damage, personal injury or death.

Important Notes to the Installer

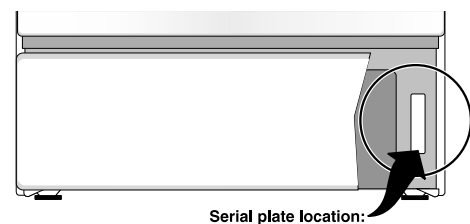
- Read all instructions contained in these installation instructions before installing range.
- Remove all packing material from the oven compartments before connecting the gas & electrical supply to the range.
- Observe all governing codes and ordinances.
- Be sure to leave these instructions with the consumer.

Important Note to the Consumer

Keep these instructions with your owner's guide for future reference.

- As when using any appliance generating heat, there are certain safety precautions you should follow. These are listed in the Use & Care Guide, read it carefully.
- Be sure your range is installed and grounded properly by a qualified installer or service technician.
- Make sure the wall coverings around the range can withstand the heat generated by the range.
- To eliminate the need to reach over the surface elements, cabinet storage space above the elements should be avoided.

Serial Plate Locations:



Serial plate is located on the lower right front frame of the appliance. Alternate location may be under cooktop.

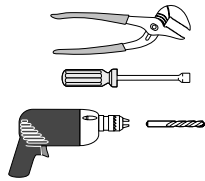
INSTALLATION INSTRUCTIONS FOR FREESTANDING ELECTRIC RANGE

BEFORE STARTING

Tools You Will Need

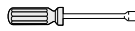
For leveling legs and Anti-Tip Bracket:

- Adjustable wrench or channel lock pliers
- 5/16" Nutdriver or Flat Head Screwdriver
- Electric Drill & 1/8" Diameter Drill Bit (Masonry Drill Bit if installing in concrete)



For electrical supply connection:

- 1/4" & 3/8" Socket driver or Nutdriver



Additional Materials You Will Need:

- Power Supply Cord or
- Copper Electrical Wiring & Metal Conduit (for hard wiring)



NORMAL INSTALLATION STEPS

1. ANTI-TIP BRACKET INSTALLATION INSTRUCTIONS - IMPORTANT SAFETY WARNING

To reduce the risk of tipping of the range, the range must be secured to the floor by properly installed Anti-Tip Bracket and screws packed with the range. Failure to install the anti-tip bracket will allow the range to tip over if excessive weight is placed on an open door or if a child climbs upon it. Serious injury might result from spilled hot liquids or from the range itself.

If range is ever moved to a different location, the Anti-Tip Bracket must also be moved and installed with the range.

Instructions are provided for installation in wood or cement fastened to either the floor or wall. When installed to the wall, make sure that screws completely penetrate dry wall and are secured in wood or metal. When fastening to the floor or wall, be sure that screws do not penetrate electrical wiring or plumbing.

1a. Locate the Bracket using the Template - (Bracket may be located on either the left or right side of the range. Use the information below to locate the bracket if template is not available).

Mark the floor or wall where left or right side of the range will be located. If rear of range is against the wall or no further than 1-1/4" from wall when installed, you may use the wall or floor mount method. If molding is installed

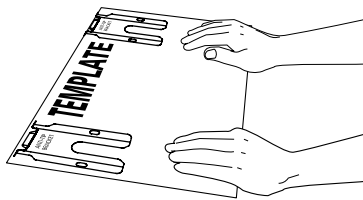


Fig. 4

and does not allow the bracket to fit flush against the wall, remove molding or mount bracket to the floor. For wall mount, locate the bracket by placing the back edge of the template against the rear wall and the side edge of template on the mark made referencing the side of the range (See Fig. 4). Place bracket on top of template and mark location of the screw holes in wall. If rear of range is further than 1-1/4" from the wall when installed, attach bracket to the floor. For floor mount, locate the bracket by placing back edge of the template where the rear of the range will be located. Mark the location of the screw holes, shown in template.

1b. Drill Pilot Holes & Fasten Bracket - Drill a 1/8" pilot hole where screws are to be located. If bracket is to be mounted to the wall, drill pilot hole at an approximate 20° downward angle (See Fig. 5).

If bracket is to be mounted to masonry or ceramic floors, drill a

3/16" pilot hole 1-3/4" deep. The screws provided may be used in wood or concrete material. Use a 5/16" nut-driver or flat head screwdriver to secure the bracket in place (See Fig. 6).

1c. Level and Position Range - Level range by adjusting the (4) leveling legs with a wrench. NOTE: A minimum clearance of 1/8" is required between the bottom of the range and the leveling leg to allow room for the bracket. Use a spirit level to check your adjustments. Slide range back into position (See Fig. 7).

Visually check that rear leveling leg is inserted into and fully secured by the Anti-Tip Bracket by removing lower panel or storage drawer. For models with a Warmer Drawer or broiler compartment, grasp the top rear edge of the range and carefully attempt to tilt it forward.

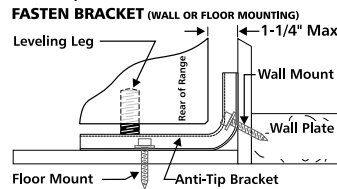


Fig. 5

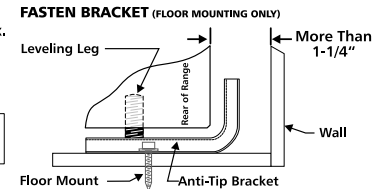


Fig. 6

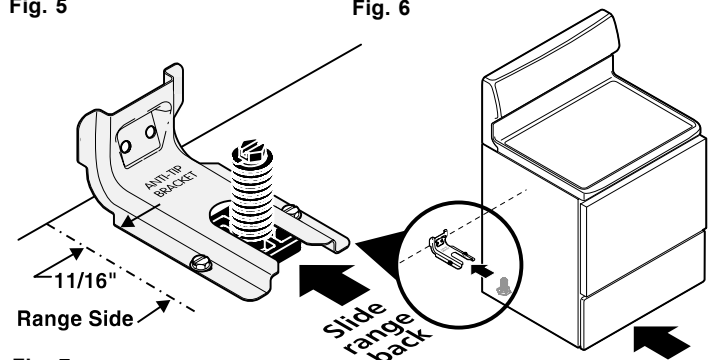


Fig. 7

2. ELECTRICAL CONNECTION REQUIREMENTS - This appliance must be properly installed and grounded by a qualified technician in accordance with the National Electrical Code ANSI/NFPA No. 70 -- latest edition -- and Local Electrical Code requirements.

This appliance may be connected by means of "Permanent Wiring" or "Power Supply Cord Kit."

When installing Permanent Wiring, do not leave excess wire in range compartment. Excess wire in the range compartment may not allow the Rear Access Cover to be replaced properly and could create a potential electrical hazard if wires become pinched. Connect only as instructed under "**Permanent Wire Connections**" in Step 4c. When using flexible conduit or range cable use flex connector or range cable strain relief (Fig. 11).

2a. Models with Factory Connected Power Supply Cord. NOTE: Some models may have a factory installed three (3) conductor Power Supply Cord.

Mobile home installations, new branch circuit installations (1996NEC) or areas where Local Codes do not permit grounding through neutral require a four (4) conductor power supply cord kit rated at 125/250 volts minimum and marked for use with ranges.

See Range Connection Opening Size Chart (Figs. 9 & 10) for cord kit ampere rating information. Terminals on end of wires must be either closed loop or open-end spade lugs with upturned ends.

INSTALLATION INSTRUCTIONS FOR FREESTANDING ELECTRIC RANGE

2b. MODELS REQUIRING POWER SUPPLY CORD KIT.

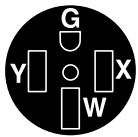
RISK OF FIRE OR ELECTRICAL SHOCK MAY OCCUR IF AN INCORRECT SIZE RANGE CORD KIT IS USED, THE INSTALLATION INSTRUCTIONS ARE NOT FOLLOWED OR STRAIN RELIEF BRACKET IS DISCARDED.

This appliance may be connected by means of a power supply cord. Only a power supply cord kit rated at 125/250 volts minimum, and marked for use with ranges shall be used. See Fig. 10 for cord kit ampere rating information. Cord must have either three (3) or four (4) conductors (See Fig. 8). Terminals on end of wires must be either closed loop or open-end spade lugs with upturned ends. Cord must have strain relief properly installed. See Steps 4a. for 4-Wire or 4b. for 3-Wire connections.

3. ELECTRICAL CONNECTION TO RANGE.

The Rear Access Cover must be removed (Fig 9). To remove, loosen center screw (one screw) and remove cover. The terminal block will then be accessible.

3 & 4 - Wire electrical wall Receptacle types & recommended mounting orientation on wall



Required for new and remodeled installations

4-Wire Wall receptacle (14-50R)



Allowed for existing installations

3 Wire Wall receptacle (10-50R)

Fig. 8

NOTE: Range is shipped from factory with 1-3/8" dia. hole as shown. To use either 7/8" dia. hole or 1-1/8" dia. knockouts refer to Fig. 9.

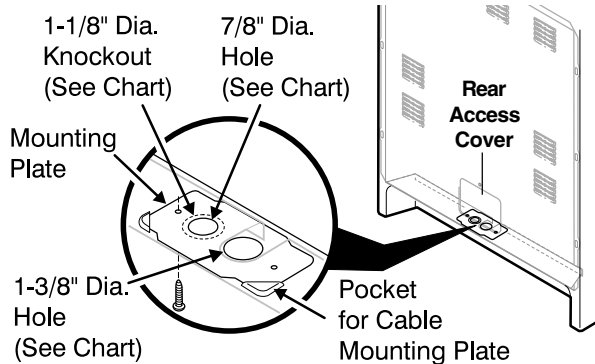


Fig. 9

Range Connection Opening Size Chart

Supply Cord Kit ampere rating information. See serial plate on range for kilowatt rating data.

See Serial Plate on Range for KW Rating	Cord Kit Ampere Rating	Diameter (inches) of Range connection Opening	
		Cord Kit	Permanent Wiring
120/240 Volts 120/208 Volts			
8.8-16.5 KW 16.6-22.5 KW	40/50 Amp 50 Amp	1-3/8 in. 1-3/8 in.	1-1/8 in. 1-3/8 in.

Fig. 10

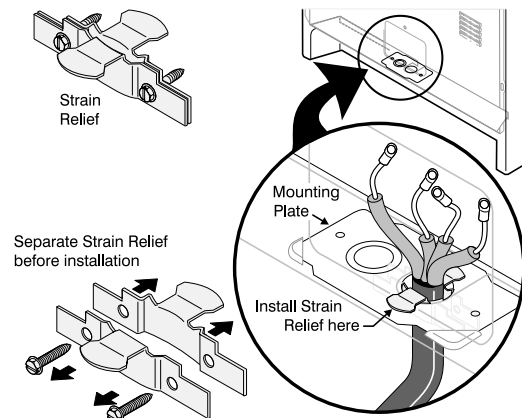


Fig. 11

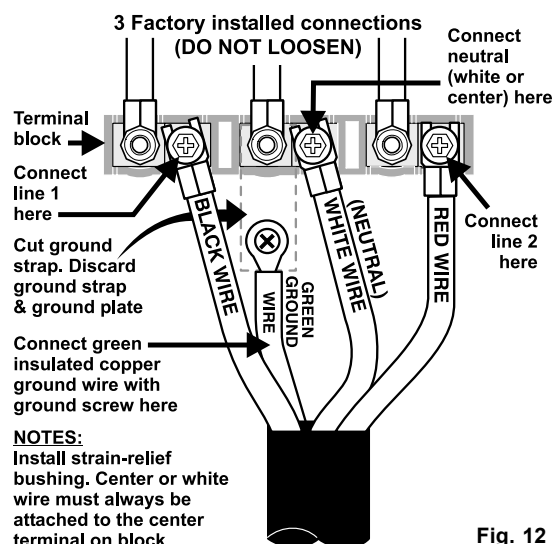
4A. POWER CORD CONNECTIONS

(4-Wire Connection Instructions - Refer to Fig.12)

Before wiring the range review the suggested power source location drawing in Fig. 3. If connecting to a 4-Wire electrical system (new branch-circuit or mobile home requires 4-Wire connection):

1. Follow the manufacturer's installation instructions supplied with the strain relief and install (Also see Figs. 9, 10 & 11).
2. Insert the end connectors for Line 1, Line 2 and Neutral and tighten securely to the terminal block.
IMPORTANT NOTE: DO NOT LOOSEN the factory installed nut connections which secure the range wiring to the terminal block. Electrical failure or loss of electrical connection may occur if these 3 nuts are loosened or removed.
3. **You must disconnect the ground strap.** Remove the factory installed ground screw & plate to release the copper ground strap from the frame of the appliance. Cut and discard the copper ground strap & plate. KEEP the ground screw.
4. Connect the ground wire (Green) lead with the eyelet to the frame of the appliance with the ground screw using the same hole in the frame where the ground screw was originally installed (See Fig. 12).
5. Make sure all screws are tightened securely and replace the rear access cover (See Fig. 9).

4-Wire Connection



NOTES:
Install strain-relief bushing. Center or white wire must always be attached to the center terminal on block

Fig. 12

INSTALLATION INSTRUCTIONS FOR FREESTANDING ELECTRIC RANGE

or 4B. POWER CORD CONNECTIONS

(3-Wire Connection Instructions . For existing installations ONLY - Refer to Fig. 13).

1. Follow the manufacturer's installation instructions supplied with the strain relief and install (Also see Figs. 9, 10 & 11).
2. Insert the end connectors for Line 1, Line 2 and Neutral and tighten securely to the terminal block (See Fig. 13).
IMPORTANT NOTE: DO NOT LOOSEN the factory installed nut connections which secure the range wiring to the terminal block. Electrical failure or loss of electrical connection may occur if these 3 nuts are loosened or removed.
3. Make sure all connections are tightened securely and replace the rear access cover (See Fig. 9).

Grounding Instructions (3-Wire Connections only): A ground strap is installed on this range which connects the center terminal of the terminal block (Neutral) to the range chassis. The ground strap is connected to the range by the center, lowest screw (See Fig. 13). The ground strap must not be removed unless National, State or Local Codes do not permit use of a ground strap.

NOTE: If the ground strap is removed for any reason, a separate ground wire must be connected to the separate ground screw attached to the range chassis and to an adequate ground source.

4c. 3 & 4-WIRE PERMANENT WIRE CONNECTIONS.

3 - Wire Permanent Connection - follow Steps 1,2 & 5 below.

4 - Wire Permanent Connection - follow Steps 1 thru 5 below.

Before wiring the range, review the suggested power source location drawings in Fig. 3. If connecting to a 4-Wire electrical system (new branch-circuit or mobile home requires 4-Wire connection):

1. **(3 & 4 - Wire Permanent Connections)** Follow the manufacturer's installation instructions supplied with the strain relief and install.
2. **(3 & 4 - Wire Permanent Connections)** Strip insulation away from the ends of the permanent wiring for Line 1, Line 2, Neutral (also strip ground wire on 4-Wire Connections). Tighten all 3 wire leads to the terminal block (Follow wire locations shown in Fig. 14).
IMPORTANT NOTE: DO NOT LOOSEN the factory installed nut connections which secure the range wiring to the terminal block. Electrical failure or loss of electrical connection may occur if these 3 nuts are loosened or removed. **NOTE: For 3-Wire Permanent Connections skip Steps 3 & 4 and continue with Step 5.**
3. **(4-Wire Permanent Connection ONLY)** Disconnect the ground strap. Remove the factory installed ground screw & plate to release the factory installed copper ground strap from frame of the appliance. Cut and discard the copper strap from the terminal block. KEEP the ground screw, ground plate and go to Step 4.
4. **(4-Wire Permanent Connection ONLY)** Connect the ground wire lead (Green) to the frame of the appliance using the ground screw & plate as shown in Fig. 15. Be sure to install using the same hole in the frame where the ground screw was originally installed.
5. **(3 & 4 - Wire Permanent Connections)** Make sure all connections are tightened securely and replace the rear access cover (See Fig. 9).

NOTE: Non-terminated field wire compression connections must be set at 22 in./lbs. or greater. Always use 10 gauge wire or larger.

5. CAREFULLY SLIDE RANGE INTO FINAL LOCATION.

Be sure to provide all the adequate clearances and dimensions shown in Figs. 1, 2 & 3 before moving appliance into final location.

Carefully slide range into final position while inserting rear leveling leg into and FULLY ENGAGING THE ANTI-TIP BRACKET (See Fig. 7). Make sure the power cord folds into the remaining open floor area behind the range Warmer or storage drawer. Be sure to check the level of the range.

3-Wire Connection

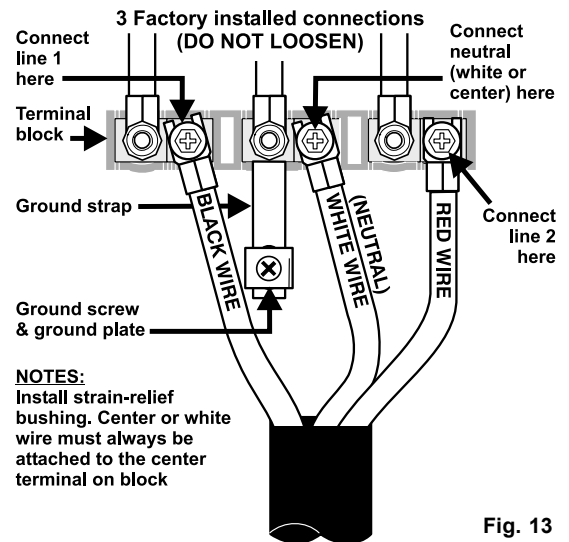


Fig. 13

FOR 3 & 4-Wire Permanent Connections

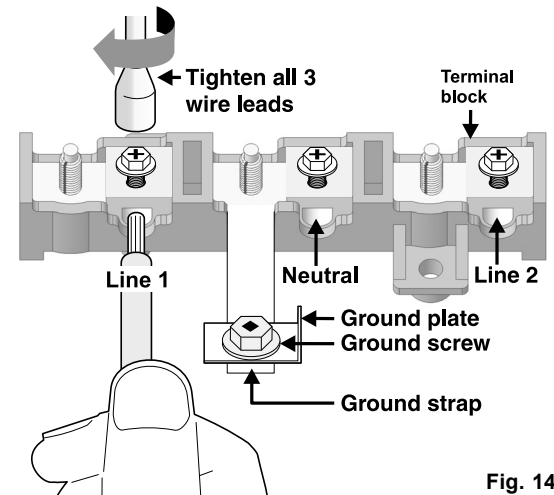


Fig. 14

Note: Non-terminated field wire compression connections must be set at approximately 22in./lbs. Always use 10 ga. wire or larger.

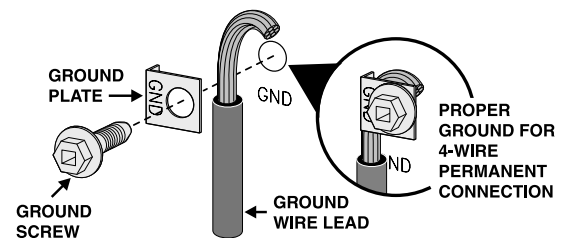


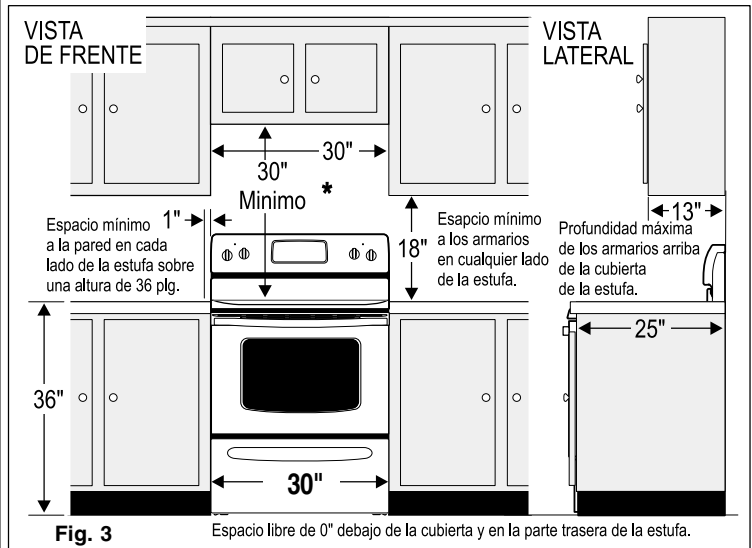
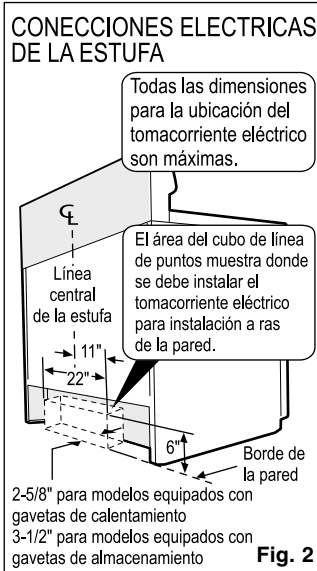
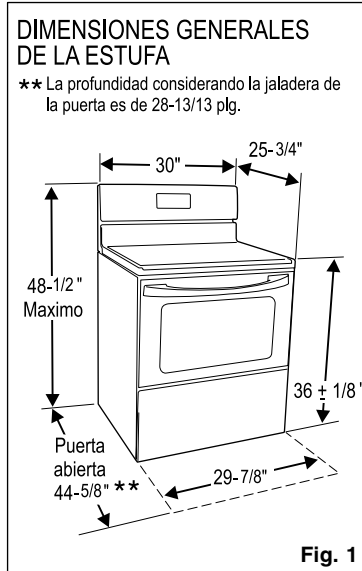
Fig. 15

INSTRUCCIONES DE INSTALACION PARA LA ESTUFA ELECTRICA DE 30"

LA INSTALACION Y EL SERVICIO DEBEN SER EFECTUADOS POR UN INSTALADOR CALIFICADO. IMPORTANTE: CONSERVE ESTAS INSTRUCCIONES PARA USO DEL INSPECTOR LOCAL DE ELECTRICIDAD. LEA Y CONSERVE ESTAS INSTRUCCIONES PARA REFERENCIA FUTURA.

Espacios Libres y Dimensiones

1. **Provea espacios libres adecuados** entre la estufa y las superficies combustibles adyacentes.
2. **Ubicación – Revise el lugar donde será instalada la estufa.** Verifique el suministro de energía eléctrica y la estabilidad del piso.
3. **Es esencial que se usen las dimensiones que se muestran.** Las dimensiones indicadas proveen los espacios libres mínimos. La superficie de contacto debe ser firme y nivelada.



*ESPACIO LIBRE MINIMO DE 30" ENTRE LA CUBIERTA DE COCINAR DE LA ESTUFA Y LA PARTE INFERIOR DE UN ARMARIO DE METAL O DE MADERA NO PROTEGIDO; O 24" MINIMO CUANDO LA PARTE INFERIOR DE UN ARMARIO DE METAL O DE MADERA ESTA PROTEGIDA CON CARTON RETARDANTE A LAS LLAMAS DE NO MENOS DE 1/4" CUBIERTO CON CHAPA DE ACERO NO INFERIOR AL No. 28 MSG, ACERO INOXIDABLE DE 0.015", ALUMINO DE 0.024" O COBRE DE 0.020". EL ESPACIO LIBRE DE 0" ES EL MINIMO PARA LA PARTE TRASERA DE LA ESTUFA. SIGA TODAS LAS DIMENSIONES INDICADAS ANTERIORMENTE PARA EVITAR DAÑOS MATERIALES, RIESGOS DE INCENDIO Y CORTES INCORRECTOS DE LOS ARMARIOS Y DE LAS MESADAS.

PARA ELIMINAR EL RIESGO DE QUEMADURAS O INCENDIOS AL PASAR SOBRE LOS ELEMENTOS CALIENTES, SE DEBE EVITAR COLOCAR ARMARIOS DE ALMACENAMIENTO SOBRE LA ESTUFA. SI SE INSTALAN ARMARIOS SOBRE LA ESTUFA, SE PUEDEN REDUCIR TALES RIESGOS INSTALANDO UNA CAMPANA EXTRACTORA QUE SE PROYECTE HORIZONTALMENTE UN MINIMO DE 5" MAS AFUERA DE LA PARTE INFERIOR DE LOS ARMARIOS.

INSTRUCCIONES IMPORTANTES DE SEGURIDAD



⚠ ADVERTENCIA

- **TODAS LAS ESTUFAS PUEDEN VOLCARSE.**
- **SE PUEDEN CAUSAR LESIONES.**
- **INSTALE EL DISPOSITIVO ANTIVUELCO INCLUIDO CON LA ESTUFA.**
- **VEA LAS INSTRUCCIONES DE INSTALACION.**

⚠ ADVERTENCIA Si no se sigue estrictamente la información de este manual, se puede producir un incendio o un choque eléctrico que cause daños materiales, lesiones corporales o fatales.

Notas Importantes para el Instalador

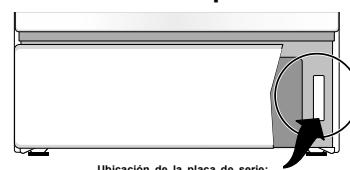
- Lea todas las instrucciones indicadas en estas instrucciones de instalación antes de instalar la estufa.
- Saque todo el material de empaque del compartimiento del horno antes de conectar el suministro de gas y de electricidad a la estufa.
- Observe todos los códigos y reglamentos vigentes.
- Asegúrese de dejar estas instrucciones con el usuario.

Aviso importante al consumidor

Mantenga estas instrucciones con su Guía de Uso y Cuidado para referencia futura.

- Al igual que con cualquier electrodoméstico que genere calor, existen ciertas precauciones de seguridad que usted debe seguir. Tales precauciones se encuentran en la [Guía de Uso y Cuidado](#), léala atentamente.
- Asegúrese de que la estufa esté bien instalada y sea puesta a tierra en forma debida por un instalador calificado o un técnico de servicio.
- Asegúrese de que el revestimiento de la pared alrededor de la estufa pueda resistir el calor generado por la estufa.
- Para eliminar la necesidad de tener que pasar sobre los elementos, se recomienda no instalar armarios arriba los elementos de la cubierta de la estufa.

Ubicación de la placa de serie:



La placa de serie está ubicada en el costado derecho del marco delantero inferior del electrodoméstico.

INSTRUCCIONES DE INSTALACION PARA LA ESTUFA ELECTRICA DE 30"

ANTES DE COMENZAR

Herramientas Necesarias

Para los tornillos niveladores y soporte antivuelco:

- Llave ajustable o pinzas ajustables
- Llave de tuerca de 5/16" o destornillador de punta plana
- Taladro eléctrico y broca de 1/8" de diám. (broca para taladro de mampostería si está instalando en concreto)



Para la conexión al suministro eléctrico:

- Llave de cubo o llave para tuercas de 1/4" y 3/8"

Materiales adicionales que usted necesitará:

- Cordón eléctrico o
- Cableado eléctrico de cobre y conducto de metal (para el cableado)



PASOS DE LA INSTALACION NORMAL

1. INSTRUCCIONES PARA LA INSTALACION DEL SOPORTE ANTIVUELCO

- ADVERTENCIA DE SEGURIDAD IMPORTANTE

Para reducir el riesgo de que la estufa se vuelque, es necesario asegurarla al piso instalando el soporte antivuelco y los tornillos suministrados con la estufa. Si no se instala el soporte antivuelco, la estufa se puede volcar si un niño se sube a ella. Se pueden ocasionar lesiones graves causadas por los líquidos calientes derramados o por la estufa misma.

Si la estufa es movida a otro lugar, el soporte antivuelco debe también ser movido e instalado en la estufa.

Las instrucciones son adecuadas para la instalación en pisos de madera o cemento sujeto ya sea en el piso o en la pared. Cuando se instala en la pared, asegúrese de que los tornillos penetren completamente en la misma y que estén asegurados en madera o metal. Cuando se asegura al piso o en la pared, asegúrese de que los tornillos no penetren ningún cableado eléctrico o plomería.

1a. Ubicación del soporte utilizando la plantilla -

(El soporte puede ser ubicado ya sea en el lado izquierdo o derecho de la estufa. Use la información indicada a continuación para colocar el soporte si no se dispone de la plantilla.

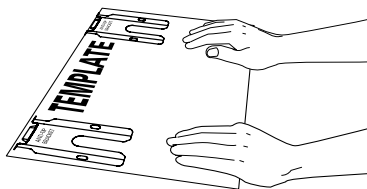


Fig. 4

Marque el piso o la pared donde se colocará el costado izquierdo o derecho de la estufa. Si la parte trasera de la estufa será colocada contra la pared o a no más de 1-1/4" de la pared cuando ya esté instalada, usted puede usar el método de instalación en el piso o en la pared. Si tiene moldura instalada y ésta no permite que el soporte quede a ras contra la pared, retire la moldura o instale el soporte en el piso. Para el montaje en la pared, ubique la plantilla colocando el borde trasero de la plantilla contra la pared trasera y el borde lateral de la plantilla en la marca hecha indicando el costado de la estufa (Ver Fig. 4). Coloque el soporte sobre la plantilla y marque la ubicación de los agujeros de los tornillos en la pared. Si la parte trasera de la estufa está a más de 1-1/4" de la pared cuando ya está instalada, instale el soporte en el piso. Para el montaje en el piso, ubique el soporte colocando el borde trasero de la plantilla donde quedará ubicada la parte trasera de la estufa. Marque la ubicación de los agujeros de los tornillos mostrados en la plantilla.

1b. Taladre agujeros pilotos e instale el soporte - Taladre un agujero piloto de 1/8" donde se vayan a instalar los tornillos. Si el soporte va a ser instalado en la pared, taladre un agujero piloto en un ángulo descendente de aproximadamente 20° (Ver Fig. 5).

Si el soporte va a ser instalado en pisos de mampostería o de cerámica, taladre un agujero piloto de 3/16" y 1-3/4" de profundidad. Los tornillos provistos pueden ser usados en materiales de madera o concreto. Use una llave de tuerca de 5/16" o un destornillador de punta plana para asegurar el soporte en su lugar (Ver Fig. 6).

1c. Nivele y ubique la estufa - Nivele la estufa ajustando los cuatro (4) tornillos niveladores con una llave. **NOTA:** Se debe dejar un espacio libre mínimo de 1/8" entre la parte inferior de la estufa y los tornillos niveladores a fin de dejar espacio para instalar el soporte. Use un nivel de burbuja de aire para verificar los ajustes. Deslice la estufa de nuevo a su lugar (Ver Fig. 7). Verifique visualmente si el tornillo nivelador trasero está insertado y firmemente asegurado por el soporte antivuelco retirando el panel inferior o la gaveta de almacenamiento. Para los modelos con una gaveta calentadora o compartimiento asador, sujete la estufa desde el borde superior trasero y trate de inclinarla hacia adelante cuidadosamente.

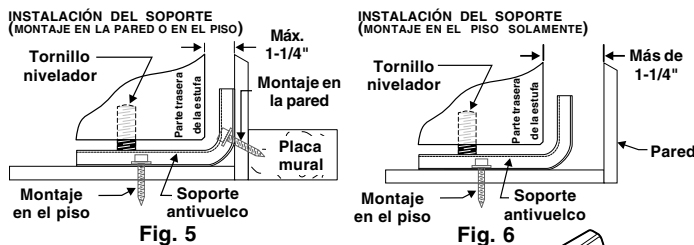


Fig. 5

Fig. 6

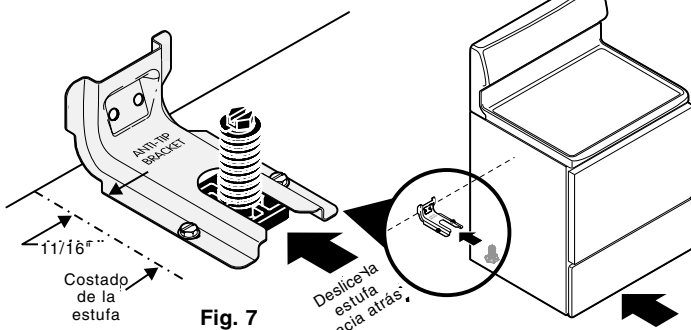


Fig. 7

2. REQUERIMIENTOS ELECTRICOS DE CONEXION - Este artefacto debe ser instalado y puesto a tierra en forma correcta por un técnico calificado de acuerdo con el Código Nacional de Electricidad ANSI/NFPA No. 70 – última edición – y los requerimientos del código local de electricidad.

Este artefacto debe ser conectado mediante "cableado permanente" o el "Juego de Cable de Alimentación Eléctrica."

Cuando instale el cableado permanente, no deje el exceso de cable en el compartimiento de la estufa. El exceso de cable en el compartimiento de la estufa puede impedir que la tapa de acceso sea reinstalada en forma debida y podría crear un riesgo eléctrico potencial si los alambres son apretados. Conecte solamente como se indica en la sección "CONEXIONES DEL CABLEADO PERMANENTE" en el Paso 4c. Cuando use tubo flexible o cable de estufa, use un sujetacable o conector flexible (Ver Fig. 11).

2a. Modelos con el cordón eléctrico conectado en la fábrica. **NOTA:** Algunos modelos vienen equipados con cordón eléctrico de tres (3) conductores instalado en la fábrica.

La instalación en casas rodantes, en instalaciones de circuitos de derivación (1996NEC) o en áreas donde los códigos locales no permitan la puesta a tierra a través del conductor neutro, se debe usar un juego de cordón eléctrico de cuatro (4) conductores para 125/250 voltios mínimo y marcado para uso con estufas.

INSTRUCCIONES DE INSTALACION PARA LA ESTUFA ELECTRICA DE 30"

Consulte la Tabla del Tamaño de la Abertura de Conexión de la Estufa (Figs. 9 y 10) para la información sobre los amperes del juego de cordón. Los bornes en los extremos de los alambres deben ser de anillo cerrado u horquillas abiertas con extremos dirigidos hacia arriba.

2b. MODELOS QUE REQUIEREN EL JUEGO DE CABLE DE ALIMENTACION ELECTRICA

PUEDA OCURRIR RIESGO DE INCENDIO O CHOQUE ELECTRICO SI SE USA UN JUEGO DE CABLE DE ESTUFA DE CALIBRE INCORRECTO, SI NO SE SIGUEN LAS INSTRUCCIONES DE INSTALACION O SI NO SE USA EL SOPORTE DEL SUJETACABLES.

Este artefacto puede ser conectado mediante un cable de alimentación eléctrica. Se debe usar solamente un juego de cable de alimentación eléctrica para 125/250 voltios mínimo y marcado para uso con estufas. Ver Fig. 10 para la información sobre la potencia nominal en amperios del juego de cable. El cable debe tener ya sea tres (3) o cuatro (4) conductores (Ver Fig. 8). Los bornes en los extremos de los cables deben ser ya sea en bucle cerrado o terminales de horquilla con los extremos girados hacia arriba. El cable debe tener un sujetacable debidamente instalado. Ver Paso 4a. para cables tetrafilares o 4b. para cables trifilares.

3. CONEXION ELECTRICA A LA ESTUFA.

Se debe retirar la cubierta de acceso trasera (Fig. 9). Para retirar, afloje el tornillo central (un tornillo) y retire la cubierta de acceso. Así se puede tener acceso al tablero de bornes.

3 y 4 - Tipos de tomacorrientes murales eléctricos trifilares o tetrafilares y orientación recomendada del montaje en la pared



Requerido para instalaciones nuevas y remodeladas

Tomacorriente mural tetrafilar (14-50R)



Permitido para instalaciones existentes

Tomacorriente mural trifilar (10-50R)

Fig. 8

NOTA: La estufa es embarcada de la fábrica con un agujero de 1-3/8" de diámetro como se muestra. Para usar ya sea el agujero de 7/8" de diámetro o los discos removibles de 1-1/8" de diámetro. Ver la Fig. 9.

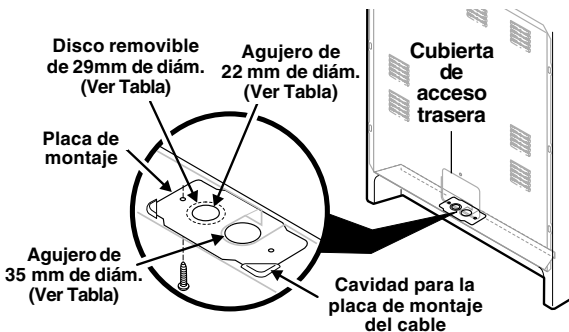


Fig. 9

Tabla del Tamaño de la Abertura de Conexión de la Estufa

Información sobre la potencia nominal en amperios del Juego de Cable de Alimentación. Ver la placa de serie en la estufa para los datos sobre la potencia nominal en kilovatios.

Ver la placa de serie en la estufa para la potencia nominal en kilovatios	Potencia Nominal del Juego de cable	Diámetro (pulg.) de la Abertura de Conexión de la Estufa	
		Juego de cable	Cableado Permanente
120/240 Voltios 120/208 Voltios	40/50 Amp. 50 Amp.	1-3/8"	1-1/8"
8,8-16,5 KW 7,9-12,5 KW 16,6-22,5 KW 12,6-18,5 KW		1-3/8"	1-3/8"

Fig. 10

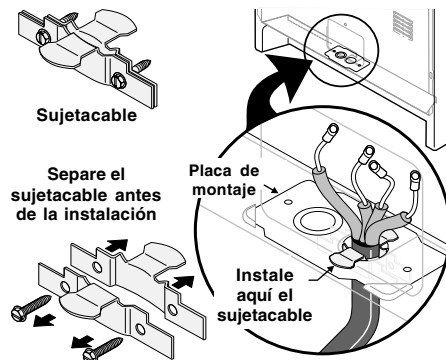


Fig. 11

4A. CONEXIONES DEL CORDON DE ALIMENTACION

(Instrucciones para Conexión Tetrafilar - Consulte la Fig. 12)

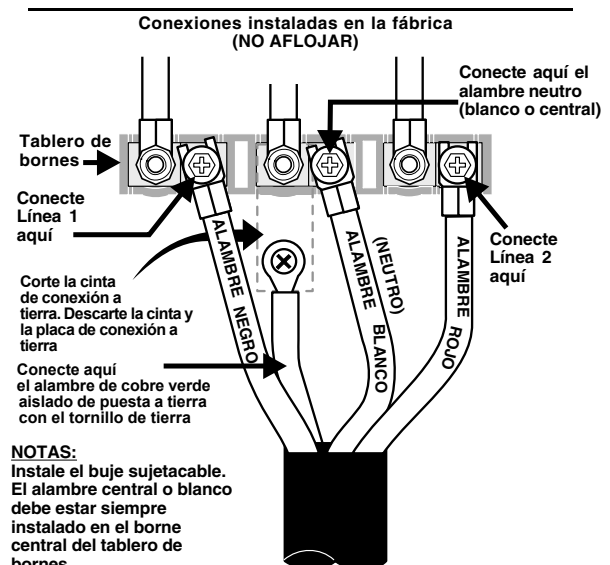
Antes del cableado de la estufa, revise los dibujos de las ubicaciones sugeridas para la fuente de alimentación en la Fig. 3. Si se va a conectar a un sistema eléctrico tetrafilar (los circuitos de derivación nuevos o las casas rodantes requieren conexión tetrafilar):

1. Siga las instrucciones de instalación del fabricante suministradas con el sujetacable e instale (Además vea las Figs. 9, 10 y 11).
2. Inserte los conectores de extremo para la Línea 1, Línea 2 y Neutro y apriete firmemente en el tablero de bornes.

NOTA IMPORTANTE: NO AFLOJE las conexiones de tuerca instaladas en la fábrica que aseguran el cableado de la estufa en el tablero de bornes. Se puede producir una falla eléctrica o pérdida de la conexión eléctrica si estas 3 tuercas son aflojadas o retiradas.

3. **Usted debe desconectar la cinta de conexión a tierra.** Retire el tornillo y placa de tierra instalada en la fábrica para soltar la cinta de conexión a tierra de cobre del marco del electrodoméstico. CONSERVE el tornillo de tierra.
4. Conecte el alambre de puesta a tierra (Verde) con el ojal en el marco del electrodoméstico con el tornillo de tierra usando el mismo agujero del marco donde estaba originalmente instalado el tornillo de tierra (Ver Fig. 12).
5. Asegúrese de que todas las tuercas estén firmemente apretadas y vuelva a colocar la cubierta de acceso trasera (Ver Fig. 9).

Conexión Tetrafilar



NOTAS:
Instale el buje sujetacable. El alambre central o blanco debe estar siempre instalado en el borne central del tablero de bornes.

Fig. 12

INSTRUCCIONES DE INSTALACION PARA LA ESTUFA ELECTRICA DE 30"

o 4B. CONEXIONES DEL CORDON DE ALIMENTACION

Instrucciones para conexión trifilar (para instalaciones existentes SOLAMENTE - Consulte la Fig. 13).

1. Siga las instrucciones de instalación del fabricante suministradas con el sujetacable e instale (Además vea las Figs. 9, 10 y 11).
2. Inserte los conectores de extremo para la Línea 1, Línea 2 y Neutro y apriete firmemente en el tablero de bornes.

NOTA IMPORTANTE: NO AFLOJE las conexiones de tuerca instaladas en la fábrica que aseguran el cableado de la estufa en el tablero de bornes. Se puede producir una falla eléctrica o pérdida de la conexión eléctrica si estas 3 tuercas son aflojadas o retiradas.

3. Asegúrese de que todas las conexiones estén firmemente apretadas y vuelva a colocar la cubierta de acceso trasera (Ver Fig. 9).

Instrucciones para la Puesta a Tierra (para conexiones trifilares solamente):

Esta estufa tiene instalada una cinta de conexión a tierra que conecta el borne central del tablero de bornes (neutro) al chasis de la estufa. La cinta de conexión a tierra está conectada a la estufa mediante el tornillo central más inferior (Ver Fig. 13). La cinta de conexión de tierra **no debe retirarse a menos que el código nacional, estatal o local no permitan el uso de una cinta de conexión a tierra.** **NOTA:** Si por cualquier motivo se retira la cinta de conexión a tierra, se debe conectar un alambre de tierra separado al tornillo de tierra instalado en el chasis de la estufa y a una tierra adecuada.

4c. CONEXIONES DEL CABLEADO PERMANENTE TRIFILAR Y TETRAFILAR.

- 3 - Conexión trifilar permanente - siga los pasos 1, 2 y 5 incluidos a continuación.
- 4 - Conexión tetrafilar permanente - siga los pasos 1 al 5 que se encuentran más abajo.

Antes del cableado de la estufa, examine los dibujos de la ubicación sugerida para la fuente de alimentación en la Fig. 3. Si está conectando a un sistema eléctrico tetrafilar, (un circuito de derivación nuevo o casa rodante requieren conexión tetrafilar):

1. **(Conexiones permanentes trifilares y tetrafilares)** Siga las instrucciones de instalación del fabricante suministradas con el sujetacable e instale.
2. **(Conexiones permanentes trifilares y tetrafilares)** Desforre el aislamiento de los extremos del cableado permanente para la Línea 1, Línea 2, Neutro (además desforre el alambre de conexión a tierra en las conexiones tetrafilares). Apriete los 3 conductores hacia el tablero de bornes (Siga las ubicaciones de los alambres que se muestran en la Fig. 14).

NOTA IMPORTANTE: NO AFLOJE las conexiones de tuerca instaladas en la fábrica que aseguran el cableado de la estufa en el tablero de bornes. Se puede producir una falla eléctrica o pérdida de la conexión eléctrica si estas 3 tuercas son aflojadas o retiradas. **NOTA:** Para las conexiones permanentes trifilares omita los Pasos 3 y 4 y continúe con el Paso 5.

3. **(Conexión permanente tetrafilar SOLAMENTE)** Desconecte la cinta de conexión a tierra. Retire el tornillo y placa de tierra instalada en la fábrica para soltar la cinta de conexión a tierra de cobre del marco del electrodoméstico. CONSERVE el tornillo de tierra, la placa de tierra y siga con el Paso 4.
4. **(Conexión permanente tetrafilar SOLAMENTE)** Conecte el alambre terminal de puesta a tierra (Verde) al marco del electrodoméstico usando el tornillo y la placa de conexión a tierra, como se muestra en la Fig. 15. Asegúrese de instalarlo usando el mismo agujero del marco donde estaba originalmente instalado el tornillo de tierra.
5. **(Conexiones permanentes trifilares y tetrafilares)** Asegúrese de que todas las tuercas estén firmemente apretadas y vuelva a colocar la cubierta de acceso trasera (Ver Fig. 9).

NOTA: Las conexiones de compresión no terminadas del cableado de campo deben ser ajustadas a aproximadamente 22 pulg./lbs.

5. DESLICE CON CUIDADO LA ESTUFA HASTA SU LUGAR DEFINITIVO.

Asegúrese de proveer todos los espacios libres adecuados y las dimensiones mostradas en las Figs. 1, 2 y 3 en la Página 1 antes de mover la estufa a su lugar definitivo.

Deslice cuidadosamente la estufa hacia la abertura del gabinete a la vez que inserta el tornillo nivelador trasero en el SOPORTE ANTIVUELCO VERIFICANDO QUE QUEDE BIEN ENGANCHADO (Ver Fig. 7). Asegúrese de que el cordón de alimentación quede plegado en el resto del área abierta del piso detrás de la gaveta de almacenamiento o gaveta calentadora de la estufa. Asegúrese de verificar la nivelación de la estufa.

Conexión Trifilar

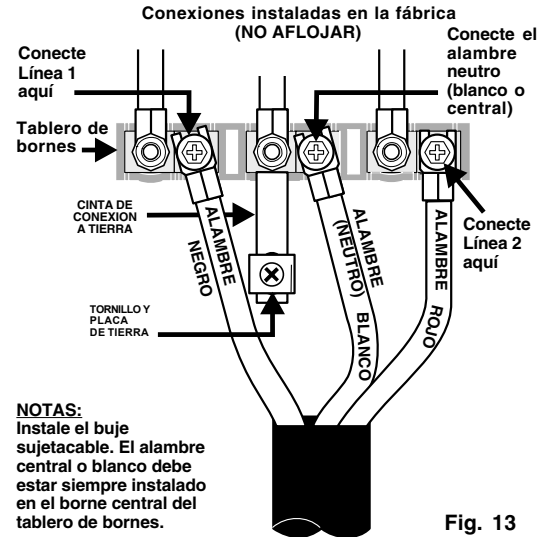


Fig. 13

PARA conexiones permanentes trifilares y tetrafilares)

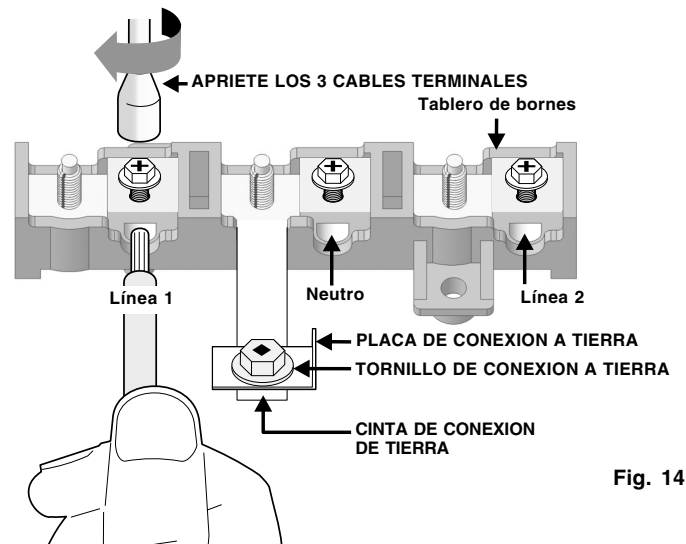


Fig. 14

NOTA: Los campos de la compresión de las conexiones de los cables no terminadas deben ser usadas utilizando un cable de 10 ga. o más grande y ajustarlos a aproximadamente 22 libras por pulgadas

Conexión permanente tetrafilar SOLAMENTE

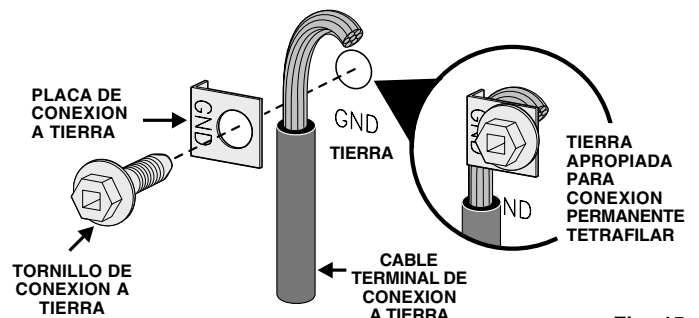


Fig. 15