

Operator's Manual

CRAFTSMAN®

12-in. 18 Volt
Weedwacker®
Cordless
Trimmer

Model No. 172.74815

**CHARGE BATTERY
BEFORE FIRST USE**



CAUTION: Read, understand and follow all Safety Rules and Operating Instructions in this Manual before using this product.

Sears, Roebuck and Co., Hoffman Estates, IL 60179 U.S.A
Visit our Craftsman® website: www.craftsman.com

- **WARRANTY**
- **SAFETY**
- **ASSEMBLY**
- **OPERATION**
- **MAINTENANCE**
- **PARTS LIST**

OM-74815

TABLE OF CONTENTS

Warranty.....	Page	2
Safety Symbols.....	Page	3
Safety Instructions.....	Pages	4 - 10
Unpacking.....	Page	11
Description.....	Pages	12 - 14
Assembly and Adjustments.....	Pages	14 - 20
Operation.....	Pages	20 - 25
Maintenance.....	Pages	26
Accessories.....	Pages	26 - 27
Parts List.....	Pages	28 - 29

TWO YEAR FULL WARRANTY ON CRAFTSMAN WEEDWACKER® CORDLESS TRIMMER
If this Craftsman product fails due to a defect in material or workmanship within two years from the date of purchase, RETURN IT TO ANY SEARS STORE OR OTHER CRAFTSMAN OUTLET IN THE UNITED STATES FOR FREE REPLACEMENT.

This warranty does not include expendable parts such as cutting line, lamps, batteries, bits, blades, or bonnets.

If this Craftsman product is used for commercial or rental purposes, this warranty applies for only 90 days from the date of purchase.

This warranty gives you specific legal rights, and you may also have other rights, which vary from state to state.

Sears, Roebuck and Co., Hoffman Estates, IL 60179

⚠ WARNING: Some dust created by using lawn and garden power tools contains chemicals known to the State of California to cause cancer and birth defects or other reproductive harm.

**SAVE THESE INSTRUCTIONS!
 READ ALL INSTRUCTIONS!**

SAFETY SYMBOLS

The purpose of safety symbols is to attract your attention to possible dangers. The safety symbols, and the explanations with them, deserve your **careful attention and understanding**. The symbol warnings **DO NOT** by themselves eliminate any danger. The instructions and warnings they give are no substitutes for proper accident prevention measures.

⚠ WARNING: BE SURE to read and understand all safety instructions in this manual, including all safety alert symbols such as “DANGER”, “WARNING” and “CAUTION”, BEFORE using this tool. Failure to follow all instructions listed below may result in electric shock, fire and/or serious personal injury.

SYMBOL MEANING

⚠ SAFETY ALERT SYMBOL: Indicates DANGER, WARNING, OR CAUTION. May be used in conjunction with other symbols or pictographs.

⚠ DANGER Failure to obey this safety warning **WILL** result in death or serious injury to yourself or to others. Always follow the safety precautions to reduce the risk of fire, electric shock and personal injury.

⚠ WARNING Failure to obey this safety warning **CAN** result in death or serious injury to yourself or to others. Always follow the safety precautions to reduce the risk of fire, electric shock and personal injury.

⚠ CAUTION Failure to obey this safety warning **MAY** result in personal injury to yourself or others or property damage. Always follow the safety precautions to reduce the risk of fire, electric shock and personal injury.

DAMAGE PREVENTION AND INFORMATION MESSAGES

These inform user of **important information and/or instructions** that could lead to equipment or other property damage if not followed. Each message is preceded by the word “NOTE:” as in the example below:

NOTE: Equipment and/or property damage may result if these instructions are not followed.



⚠ WARNING: The operation of any trimmer can result in foreign objects being thrown into your eyes, which can result in severe eye damage. Before beginning power tool operation, **ALWAYS** wear safety goggles or safety glasses with side shields and a full-face shield when needed. We recommend a Wide Vision Safety Mask for use over eyeglasses or standard safety glasses with side shields, available at Sears Stores or other Craftsman Outlets.

SAFETY INSTRUCTIONS

⚠ WARNING: if correctly used, this cordless trimmer is an easy to handle and efficient tool; if used improperly or without the due precautions it could become a dangerous tool. For pleasant and safe work, **ALWAYS** strictly comply with the safety rules that are contained in this manual.

⚠ WARNING: **BE SURE** to read and understand all instructions in this manual before using this cordless trimmer. Failure to follow all instructions listed below may result in electric shock, fire and/or serious personal injury.

⚠ WARNING: To avoid mistakes that could cause serious injury, **DO NOT** install battery pack into this trimmer until the following instructions have been read and understood.

WORK AREA SAFETY

1. **ALWAYS** avoid dangerous conditions. **DO NOT** use in wet or damp areas or expose to rain.
2. **DO NOT** operate in the presence of flammable liquids, gases, or dust. Electric tools create sparks which may ignite dust or fumes.
3. **ALWAYS** keep bystanders and visitors at a safe distance while operating a trimmer. **NEVER** allow children near the tool. Flying objects can injure anyone in the area.
4. **CHILDPROOF** your tools with padlocks and master switches. Lock tools away when not in use. This trimmer is not a toy.
5. **DO NOT** use trimmer at night. **ALWAYS** make sure you have adequate lighting.
6. **BEFORE** using the trimmer, remove any stones, sticks, debris or objects that could be entangled in or thrown by the trimmer.

PERSONAL SAFETY

⚠ WARNING: The operation of any trimmer can result in **FOREIGN OBJECTS BEING THROWN**, which can result in personal injury or property damage. **ALWAYS** use proper safety equipment.

1. **KNOW** your tool. Read the operator's manual carefully. Learn the cordless trimmer's applications and limitations, as well as the specific potential hazards related to this tool.
2. **STAY ALERT**, watch what you are doing and use common sense when operating this tool.
3. **DO NOT** use tool while tired or under the influence of drugs, alcohol or medication. A moment of inattention while operating this tool may result in serious personal injury.
4. **DRESS properly**. Wear rubber gloves and substantial rubber soled footwear when working outdoors. **DO NOT** operate lawn and garden tools when barefoot or wearing open sandals. Wear long pants and long sleeves to protect your legs and arms. Trimmers can pick up objects such as rocks and send them flying at fast speeds. **DO NOT** wear loose clothing or jewelry. Keep your hair, clothing, and gloves away from moving parts. Loose clothing or long hair can be caught in moving parts.

SAFETY INSTRUCTIONS cont.

PERSONAL SAFETY cont.

5. **USE SAFETY EQUIPMENT**. Always wear safety goggles or safety glasses with side shields or full face shield, proper work shoes with rubber non-slip soles, heavy-duty non-slip rubber gloves and dust mask or respirator and hearing protection. Hard hat should be used for appropriate conditions.
6. **DO NOT overreach**. Keep proper footing and balance at all times. Proper footing and balance enables better control of the tool in unexpected situations.

TOOL USE AND CARE SAFETY

⚠ WARNING: **BE SURE** to read and understand all instructions before operating this tool. Failure to follow all instructions listed below may result in electric shock, fire and/or serious personal injury.

1. **DO NOT** use the tool if switch does not turn it "On" or "Off". Any tool that cannot be controlled with the switch is dangerous and must be repaired.
2. **DISCONNECT** the battery before making any adjustments, changing cutting line, or storing the tool. Such preventive safety measures reduce the risk of starting the tool accidentally.
3. **STORE** idle tools out of the reach of children and other untrained persons. **Children MUST NOT** operate the tool. Tools are dangerous in the hands of untrained users.
4. **MAINTAIN** tools with care. **ALWAYS** keep cutting tools clean and in good working order.
5. **CHECK** for misalignment or binding of moving parts, breakage of parts, and any other condition that may affect the tool's operation. **If damaged**, have the tool serviced before using. Many accidents are caused by poorly maintained tools.
6. **USE ONLY** cutting line that is recommended for this trimmer. Cutting line that may be suitable for one trimmer may become hazardous when used on another trimmer.

ELECTRICAL SAFETY

⚠ WARNING: **BE SURE** to read and understand all instructions before operating this cordless trimmer. Failure to follow all instructions listed below may result in shock, fire and/or serious personal injury.

A battery operated tool with integral batteries or a separate battery pack must be recharged only with the specified charging stand for the battery pack. A charger that may be suitable for one type of battery may create a risk of fire when used with another battery.

1. **Use battery operated tool only with specifically designated battery pack.** Use of any other batteries may create a risk of fire.
2. **Use battery pack only with charging stand listed.**

MODEL	CHARGING STAND	BATTERY PACK
71-74815	CGT 183UA-48 (C1817A005)	CGT 183 UA-42 (WA3127)

SAFETY INSTRUCTIONS cont.

ELECTRICAL SAFETY cont.

3. **Do not abuse the cord on the charging stand.** Never carry the charging stand by its power cord. Never pull the power cord to remove the charging stand from the power outlet. Damage to the cord or charging stand could occur and create an electric shock hazard. Keep cord away from heat, oil, sharp edges or moving parts. Replace damaged cords immediately. Damaged cords increase the risk of electric shock.

The label on your tool may include the following symbols.

V.....	Volts
A.....	Amps
Hz.....	Hertz
W.....	Watts
min.....	Minutes
~.....	Alternating current
—.....	Direct current
n _o	No-load speed
□.....	Class II construction, Double Insulated
RPM.....	Revolutions per minute
SPM.....	Strokes per minute
OPM.....	Orbits per minute
⚠.....	Indicates danger, warning or caution. It means attention! Your safety is involved.

SERVICE SAFETY

1. **If any part of this trimmer is missing or should break, bend, or fail in any way; or should any component fail to perform properly: SHUT OFF** the power switch and remove the trimmer plug from the power source and have the missing, damaged or failed parts replaced **BEFORE** resuming operation.
2. **Tool service should be performed at a Sears Parts and Repair Center.** Service or maintenance performed by unqualified personnel could result in a risk of injury.
3. **When servicing a tool, use only identical replacement parts. Follow instructions in the maintenance section of this manual.** Use of unauthorized parts or failure to follow maintenance instructions may create a risk of electric shock or injury.

SAFETY RULES FOR CORDLESS TRIMMERS

1. **KNOW your cordless trimmer. Read operator's manual carefully.** Learn the applications and limitations, as well as the specific potential hazards related to this tool. Following this rule will reduce the risk of electric shock, fire or serious injury.
2. **CAUTION: DO NOT** have the battery pack installed in the trimmer when not in use.
3. **DO NOT** use trimmer without adequate lighting. **ALWAYS** make sure that you can see what you are trimming and edging.
4. Use trimmer **ONLY** when grass and weeds are dry.
5. **ALWAYS** remove objects such as stones, sticks, and debris from the trimming/edging path that could become entangled in, or thrown by, the trimmer.
6. **ALWAYS** hold the trimmer by both the main rear handle **and** the auxiliary handle for greater control and balance. **NEVER** reach under the safety guard.

SAFETY INSTRUCTIONS cont.

SAFETY RULES FOR CORDLESS TRIMMERS cont.

7. **DO NOT** grasp or touch the exposed cutting line when picking up or holding the trimmer.
8. **DO NOT FORCE the trimmer.** Do not try to cut more than what the trimmer is designed for. It will do a better job with less chance of injury when used at the rate for which it is designed.
9. **KEEP the handle** dry, clean and free of oil and grease. Use a clean cloth when cleaning. **DO NOT** use solvents, brake fluids, gasoline, or other petroleum products to clean the trimmer. They can damage plastic parts.
10. **NEVER**, for any reason, touch the cutting line or other moving parts during use.
11. When changing cutting line spool be careful of the line cutter on the guard. Cutter is sharp and can cause injury (see page 17, Fig. 5a)
12. **KEEP guard in place** and in good working order. Keep guard positioned between you and cutting line. Keep hands and feet away from cutting line.
13. **ALWAYS** store the trimmer indoors **with battery pack removed** when not in use. It should be stored in a dry place, high up or locked in a place that is out of the reach of children.
14. **Cordless tools do not have to be plugged into an electrical outlet; therefore, they are always in operating condition when the battery pack is installed. Be aware of possible hazards when not using your battery operated tool or when changing accessories.** Following this rule will reduce the risk of electric shock, fire, or serious personal injury.
15. **Do not place battery tools or their batteries near fire or heat.** This will reduce the risk of explosion and possible injury.
16. **Do not crush, drop or damage battery pack. Never use a battery pack or charging stand that has been dropped or received a sharp blow.** A damaged battery pack is subject to explosion. Properly dispose of a dropped or damaged battery pack immediately.
17. **Batteries vent hydrogen gas and can explode in the presence of a source of ignition, such as a pilot light.** To reduce the risk of personal injury, never use any cordless product in the presence of open flame. An exploded battery can propel debris and chemicals. If exposed, flush with water immediately.
18. **Do not charge battery in a damp or wet location.** Following this rule will reduce the risk of electric shock.
19. For best results, your battery should be charged in a location where the temperature is more than 50°F but less than 80°F. Do not store battery outside or in vehicles.
20. **Under extreme usage or temperature conditions, battery leakage may occur. If liquid comes in contact with your skin, wash immediately with soap and water, then neutralize with lemon juice or vinegar. If liquid gets into your eyes, flush them with clean water for at least 10 minutes, then seek immediate medical attention.** Following this rule will reduce the risk of serious personal injury.
21. **ALWAYS** use only the cutting line provided with your trimmer or sold by Sears. Use of any other cutting line may create a hazardous situation.
22. **ALWAYS** keep ventilation openings clear of debris.

SAFETY INSTRUCTIONS cont.

SAFETY RULES FOR CORDLESS TRIMMERS cont.

23. **BEFORE** using the trimmer, remove any stones, sticks, debris or objects that could be entangled in or thrown by the trimmer.
24. **NYLON CUTTING LINE** Keep face, hands and feet clear of rotating nylon line at all times.
25. **THE ROTATING LINE PERFORMS A CUTTING FUNCTION.** Use care when trimming around screens and flowers and other objects that you **DO NOT** want damaged or cut.
26. **KEEP ALL BYSTANDERS AWAY** at a safe distance from the work area, especially children.
27. **MAKE SURE** that other persons and pets are at least 100 feet away.

⚠ IMPORTANT WARNING:

When this tool is being used as a trimmer or edger, stones and other objects can be thrown out at high speed by the line. The tool and guard are designed to help reduce the danger. However, the following special precautions should be taken.

TO REDUCE THE RISK of rebound or ricochet injury, always work away from any solid objects such as walls, steps, large stones, landscape bricks, timbers, trees, etc. Use extreme care when working close to solid objects and when necessary edge or trim by hand.

⚠ WARNING: Some dust particles created by lawn and garden tools contain chemicals known to cause cancer, birth defects or other reproductive harm. Some examples of these chemicals are:

- Compounds in fertilizers, herbicides, pesticides, and insecticides.
- Arsenic and chromium from chemically treated lumber.

Your risk from these exposures varies, depending upon how often you do this type of work. To reduce your exposure to these chemicals:

- Work in a well-ventilated area
- Work with approved safety equipment, such as those dust masks that are specially designed to filter out microscopic particles.

⚠ WARNING: NEVER reach under the trimmer (cutting line area) until trimmer has completely stopped. The trimmer's cutting line will continue to rotate for a few seconds after it is switched off.

SAFETY RULES FOR BATTERY CHARGING STAND

⚠ WARNING: READ AND UNDERSTAND ALL INSTRUCTIONS. Failure to follow all instructions listed below may result in electric shock, fire and / or serious personal injury.

NOTE: Before using battery charging stand, read all instructions and cautionary markings in this manual, on battery charging stand, battery pack, and trimmer using battery pack, to prevent misuse of the products and possible injury or damage.

SAFETY INSTRUCTIONS cont.

SAFETY RULES FOR BATTERY CHARGING STAND cont.

⚠ CAUTION: USE ONLY the specifically designated battery charging stand that was supplied with this trimmer when charging the battery pack. The use of any other battery charging stand could damage the battery pack, and create a hazardous condition.

⚠ CAUTION: To reduce the risk of electric shock or damage to the battery charging stand and battery pack, charge only the specifically designated battery pack that was included with this trimmer and charging stand. Charging other types of battery packs may cause them to burst, causing personal injury and damage.

1. **Do not use the battery charging stand outdoors or expose to wet or damp conditions.** Water entering charging stand will increase the risk of electric shock.
2. **Use of an attachment with this battery charging stand that is not recommended may result in a risk of fire, electric shock, or injury to persons.**
3. **Do not abuse the cord on the battery charging stand.** Never carry the charging stand by its power cord. Never pull the power cord to remove the charging stand from the power outlet. Damage to the cord or charging stand could occur and create an electric shock hazard. Keep cord away from heat, oil, sharp edges or moving parts. Replace damaged cords immediately. Damaged cords increase the risk of electric shock.
4. **Make sure cord is located so that it will not be stepped on, tripped over, come in contact with sharp edges or moving parts, heat, oil, or otherwise subjected to damage or stress.** This will reduce the risk of accidental falls, which could cause injury, and damage to the cord which could result in electric shock.
5. **Keep cord and charging stand away from heat to prevent damage to housing or internal parts.**
6. **Do not let gasoline, oils, petroleum-based products, etc. come in contact with plastic parts.** They contain chemicals which can damage, weaken or destroy plastic.
7. **An extension cord should not be used unless absolutely necessary.** Use of improper extension cord could result in a risk of fire and electric shock. If an extension cord must be used, make sure: **a)** That pins on plug of extension cord are the same number, size and shape as those on the charging stand, **b)** That extension cord is properly wired and in good electrical condition, and **c)** That you use a proper extension cord.
ONLY use cords listed by Underwriters Laboratories (UL). Other extension cords can cause a drop in line voltage, resulting in a loss of power and overheating of charging stand. An AWG (American Wire Gauge) size of at least 14-gauge is recommended for an extension cord of 25-ft. or less in length. Use 12-gauge for an extension cord of 50-ft. **Extension cords 100-ft. or longer are not recommended.**
8. **INSPECT tool cords for damage. Do not operate charging stand with a damaged cord, which could cause shorting and electric shock.** Have damaged tool cords repaired at a Sears Service Center.
9. **Do not operate charging stand if it has received a sharp blow, been dropped, or otherwise damaged in any way.** Take it to an authorized serviceman for electrical check to determine if the charging stand is in good working order.

SAFETY INSTRUCTIONS cont.

SAFETY RULES FOR BATTERY CHARGING STAND cont.

10. **Do not disassemble charging stand. Take it to a Sears Parts and Repair Center when service or repair is required.** Incorrect reassembly may result in a risk of electric shock or fire.
11. **Disconnect charging stand from the power supply when not in use.** This will reduce the risk of electric shock or damage if metal items should fall into the opening in the charging stand. It also will help prevent damage during a power surge.
12. **Risk of electric shock. Do not touch** un-insulated portion of output connector or un-insulated battery terminal.
13. **Save these instructions.** Refer to them frequently and use them to instruct others who may use this tool. If you loan someone this tool, also loan them these instructions to prevent misuse of the product and possible injury.

ADDITIONAL RULES FOR SAFE OPERATION

⚠ WARNING: BE SURE to read and understand all instructions. Failure to follow all instructions listed below may result in electric shock, fire and / or serious personal injury.

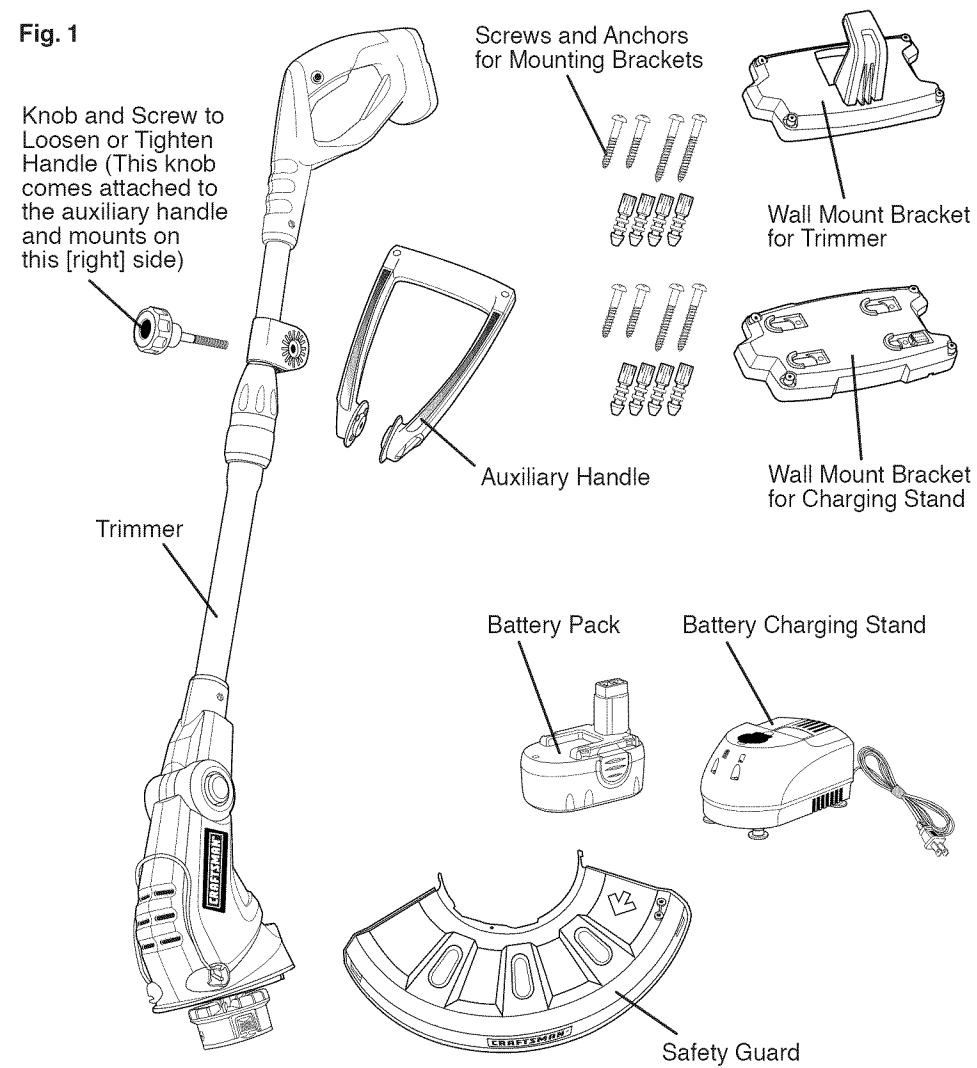
1. **ALWAYS wear safety glasses or eye shields when using this tool.** Everyday eyeglasses have only impact-resistant lenses; they are **NOT** safety glasses.
2. **PROTECT your lungs.** Wear a face mask, dust mask or respirator if the operation is dusty.
3. **PROTECT your hearing.** Wear appropriate personal hearing protection during use. Under some conditions noise from this product may contribute to hearing loss.
4. **ALL VISITORS AND BYSTANDERS MUST** wear the same safety equipment that the operator of the tool wears.
5. **ALWAYS check the tool for damaged parts.** Before further use of the tool, a guard or other part that is damaged should be carefully checked to determine if it will operate properly and perform its intended function. Check for misalignment or binding of moving parts, breakage of parts, and any other condition that may affect the tool's operation. A guard or other part that is damaged should be properly repaired or replaced at a Sears Service center.
6. **SAVE THESE INSTRUCTIONS.** Refer to them frequently and use them to instruct others who may use this tool. If someone borrows this tool, make sure they have these instructions also.

UNPACKING (Fig. 1)

1. The trimmer comes assembled except for the **guard** and **auxiliary handle**, which must be attached.
2. Remove the trimmer, auxiliary handle, safety guard, box containing the battery pack and charger, wall mount bracket for charger and wall mount bracket for trimmer with hardware from the carton and inspect your trimmer.
3. Do not discard box or packing material until all parts are examined.

⚠ WARNING: If any part of the trimmer is missing or damaged, do not install the battery pack into the trimmer until the damaged part is repaired or replaced.

Fig. 1



DESCRIPTION

KNOW YOUR CORDLESS TRIMMER (Fig. 2)

NOTE: Before attempting to use this product, familiarize yourself with all operating features and safety rules.

Safety, performance and dependability have been given top priority in the design of this product, making it easy to maintain and operate.

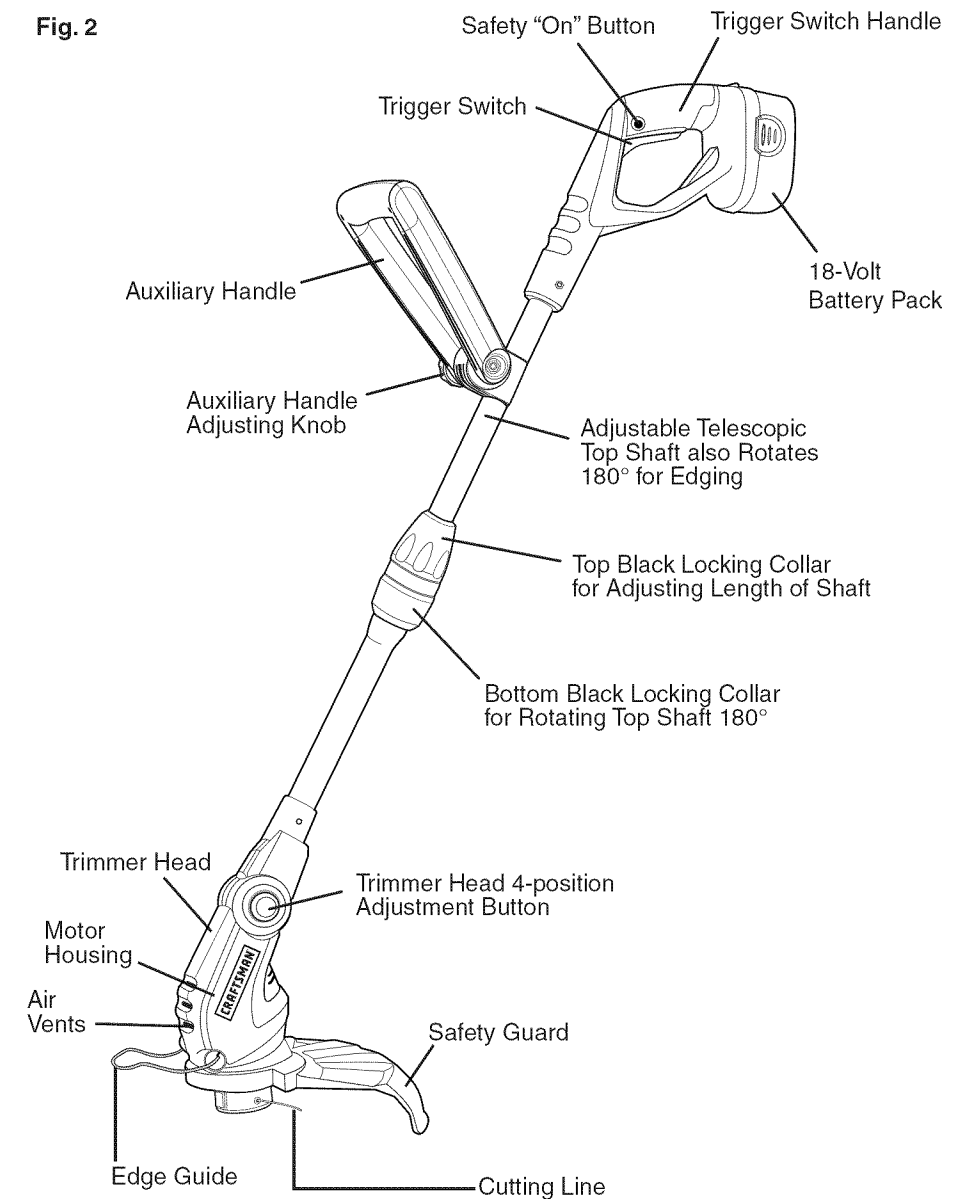
This Cordless Trimmer has the following features:

1. **12-inch Cutting Path**
2. **Twist and Edge . . . Two Tools in One** rear handle and top shaft easily rotates 180° for trimming or edging
3. **18 Volt Cordless / 7000 RPM (no-load speed)** for efficient trimming and edging.
4. **18.0 Volt, 15 cell Nickel-Cadmium Battery Pack CGT183UA-42 (WA3127)** recharges in 1 hour under normal use.
5. **Charging Stand CGT183UA-48 (C1817A005)** has 2 LED lights. Green LED light indicates when charging stand is plugged into power supply, and when battery pack is fully charged. Red LED light indicates when battery is charging.
6. **Ergonomically Designed Rear Handle** for maximum control and gripping comfort with reduced operator fatigue.
7. **Four finger Trigger Switch with Safety "On" Button.** Safety On button must be depressed to operate trigger switch.
8. **4-Position Trimmer Head** easily adjusts to the desired working angle for optimum operator control in all trimming and edging applications. From trimming around hard-to-reach flower beds and shrubs, to deck supports, fences and stairways, to edging sidewalks, driveways and landscaping.
9. **Edge Guide** provides a cutting guide for protecting flowers, plants, screens and fences from being cut by trimmer line.
10. **Adjustable Telescopic Shaft** allows adjustments from 16 to 25 inches from your ideal working height.
11. **Lightweight and Ergonomically Designed** for easy use, handling comfort and efficient trimming and edging.
12. **Automatic Line Feed** when line becomes worn, the hub will automatically feed and trim a new length of line.
13. **Your trimmer uses:** 0.065 inch diameter twisted line. Use Craftsman 71-85937 automatic feed replacement spool and line. It's factory wound for maximum reliability.

DESCRIPTION cont.

KNOW YOUR CORDLESS TRIMMER cont. (Fig. 2)

Fig. 2



DESCRIPTION cont.

SPECIFICATIONS

Cutting Path	12 inches
Speed	7000 RPM
Rating	18.0 Volt
Line Diameter	0.065-inch twisted line
Line Feed Mechanism	Automatic
Power Head Tilt	4 positions
Adjust Height of Shaft	From 16 to 25 inches
Charging Stand Input	120V, 60Hz AC
Charge Rate	1 hour
Charging Stand Number	CGT183UA-48 (C1817A005)
Battery Pack Number	CGT183UA-42 (WA 3127)

ASSEMBLY & ADJUSTMENTS

CHARGING THE BATTERY PACK (Fig. 3 and 3a)

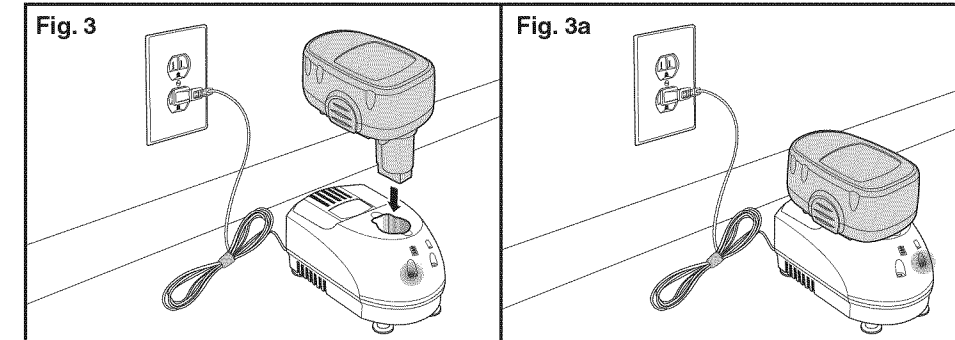
The battery pack for this tool has been shipped in a low charge condition to prevent possible problems. **Therefore, you should charge overnight prior to use.**

NOTE: Batteries will not reach full charge the first time they are charged. Allow several cycles (operation followed by recharging) for them to become fully charged.

1. Charge battery pack only with the charging stand that was supplied with this trimmer.
2. Make sure power supply to the charging stand is normal household voltage, 120 volts, 60 Hz, AC-only.
3. Connect charging stand to power supply.
4. Place battery pack in charging stand. Align raised rib on battery pack with groove in charging stand (See Page 15, Fig. 3).
5. Press down on battery pack to be sure contacts on battery pack engage properly with contacts inside charging stand.

ASSEMBLY & ADJUSTMENTS cont.

CHARGING THE BATTERY PACK cont. (Fig. 3 and 3a)



6. The charging stand has two (LED) indicator lights, one green and one red. The green LED light comes on when the charging stand is plugged into a power outlet. When a battery pack is put into the charging stand, the green LED light will go off and the red LED will light, indicating that the battery pack is charging properly (see Fig. 3a).
When the battery pack is fully charged, the red LED will go off and green LED light will go on to show that battery is fully charged. When the battery pack is removed from the charging stand, the green LED will stay on until it is unplugged.
 7. After normal use, 1 hour of charging time is required to fully recharge battery pack. If battery pack is completely discharged, 6 hours or longer of charging time is required to fully recharge battery pack.
- NOTE: Within the warranty period, if the charging stand LED lights do not operate properly, or the charging stand does not charge the battery pack, return the charging stand and battery pack to your nearest Sears Store or other Craftsman outlet for free replacement.**
8. The battery pack will become slightly warm to the touch while charging. This is normal and does not indicate a problem.
 9. Do not place the charging stand in an area of extreme heat or cold. It will work best at normal room temperature.
 10. When battery pack becomes fully charged, unplug battery charging stand from power supply and remove the battery pack.

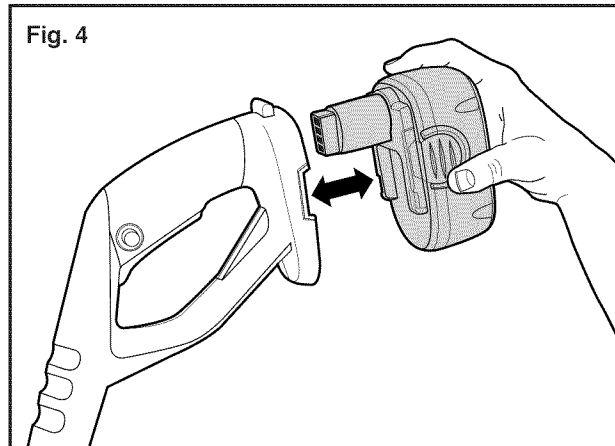
CHARGING A HOT BATTERY PACK

When using your tool continuously, the batteries in your battery pack will become hot. You should let a hot battery pack cool down for approximately 30 minutes before attempting to recharge.

NOTE: A hot battery pack only occurs when prolonged continuous use of your trimmer causes the batteries to become hot. It does not occur with typical use. Within the warranty period, if the battery pack becomes hot with typical use, return the charging stand and battery pack to your nearest Sears store or other Craftsman outlet for free replacement.

ASSEMBLY & ADJUSTMENTS cont.

INSTALLING THE BATTERY PACK (Fig. 4)



1. Place the battery pack into the rear handle of the trimmer, aligning the raised rib on battery pack with grooves on trimmer.
2. Make sure the latches on each side of the battery pack “snap” into place, and the battery pack is secured in the trimmer before beginning operation.

⚠ CAUTION: When placing battery pack in the trimmer, be sure raised rib on battery pack aligns with the indents on trimmer and latches into place properly. Improper installation of the battery pack can cause damage to internal components.

⚠ WARNING: This Cordless Trimmer is always in operating condition when the battery pack is installed. Therefore, the Safety On Button should always be in the released position locking the power off, when the tool is not in use or you are carrying it at your side. The trigger switch will not turn the trimmer ON until the Safety On Button is depressed.

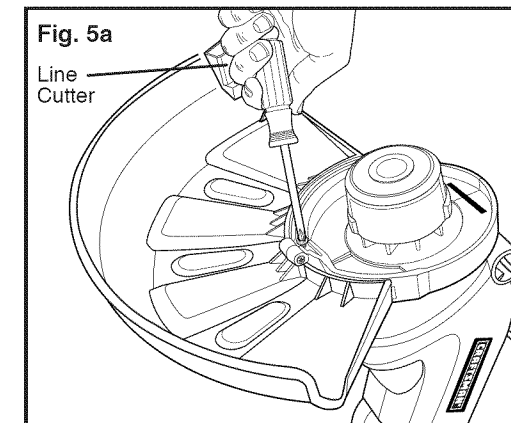
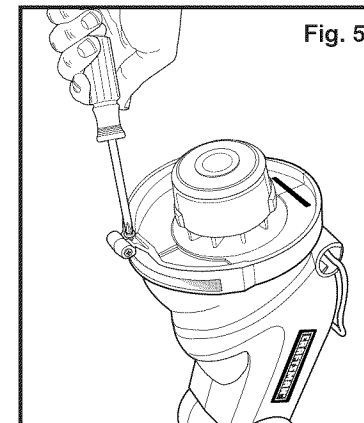
⚠ WARNING: To avoid injury, ALWAYS remove the battery from the trimmer BEFORE installing parts, cleaning the trimmer, making any adjustments or storing the trimmer

ASSEMBLY & ADJUSTMENTS cont.

INSTALLING THE SAFETY GUARD (Figs. 5 and 5a)

1. Remove the battery pack from the trimmer.
2. Turn the trimmer’s motor housing head over to provide access to underside base of the head by the cutting line spool.
3. Locate the single screw in the base of the head and remove the screw.
4. Insert the edge of the safety guard into the slot along the back of the trimmer’s head, carefully lining the screw hole in the guard up with the screw hole in the trimmer head.
5. Insert screw and securely attach the safety guard (see Figs. 5 and 5a).

NOTE: Safety Guard will only fit one way.

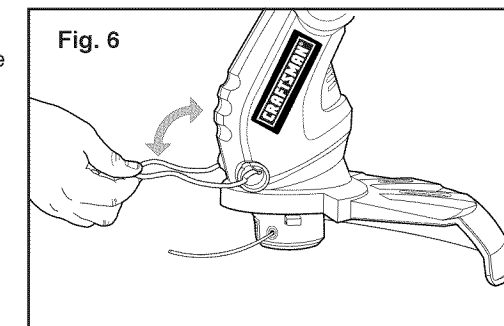


NOTE: THE SAFETY GUARD MUST BE ATTACHED to the trimmer head before use.

THE EDGE GUIDE (Fig. 6)

Your trimmer comes with an Edge Guide that is handy for use as a cutting guide. It can be used to help keep the cutting line away from items you don’t want cut, such as flowers, or damaged, such as fences or screens.

Each end of the wire edge guide is force-fitted into a hole located on each side of the trimmer’s head. To use the edge guide, pull (force) it down into the guide position as shown in Fig. 6.



ASSEMBLY & ADJUSTMENTS cont.

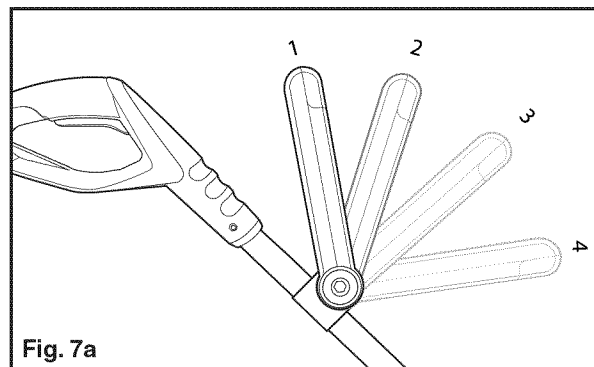
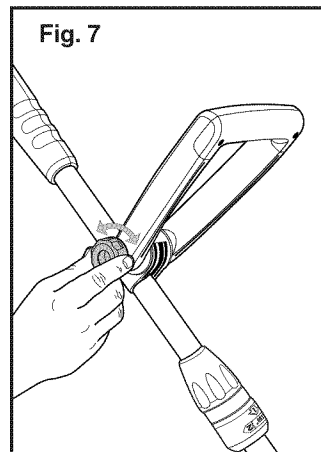
ATTACHING THE AUXILIARY HANDLE (Fig. 7 and 7a)

NOTE: THE AUXILIARY HANDLE MUST BE ATTACHED to the trimmer shaft before use.

1. Remove the battery pack from the trimmer.

⚠ WARNING: To avoid injury, ALWAYS remove the battery from the trimmer BEFORE installing parts or cleaning the trimmer or making any adjustments.

2. Unscrew the auxiliary handle's tightening knob (counterclockwise) and remove from handle.
3. Position auxiliary handle onto handle bracket assembly located on trimmer shaft (see Fig. 7).
4. Position the knob and screw through the auxiliary handle and bracket, and tighten knob (turn clockwise). Do not tighten completely until you have adjusted the handle to your desired working position.



ADJUSTING THE AUXILIARY HANDLE (Fig. 7a)

1. The auxiliary handle's bracket can be moved up or down on the shaft and the auxiliary handle itself can be moved forward or backward into 4 different locked positions (see Fig. 7a).
2. When the handle is in desired position, turn knob and tighten securely.

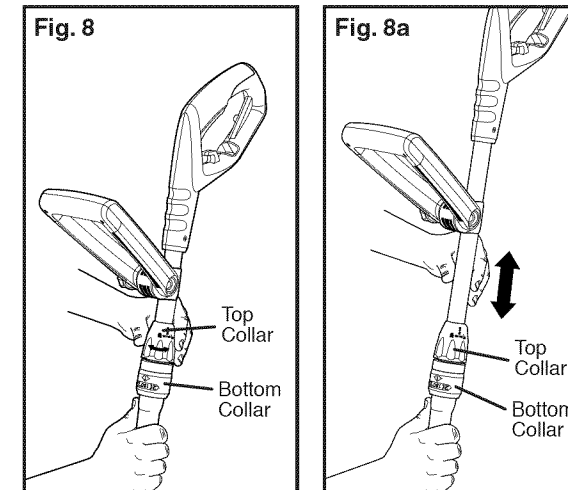
⚠ WARNING: To avoid injury, adjust the auxiliary handle for maximum control and balance. DO NOT overreach when operating the trimmer. ALWAYS KEEP proper balance for better control of the tool in unexpected situations.

ASSEMBLY & ADJUSTMENTS cont.

ADJUSTING THE HEIGHT (Figs. 8 and 8a)

The Trimmer's Telescopic Shaft Comes in the Collapsed Position

1. To raise the telescopic shaft, twist top collar (counterclockwise) to unlock, and pull (extend) top of shaft up, to desired height.
2. Twist top collar (clockwise) to lock top shaft in place.
3. To lower or collapse the shaft simply reverse the above steps, 1 and 2.



ADJUSTING THE CUTTING ANGLE (Fig. 9)

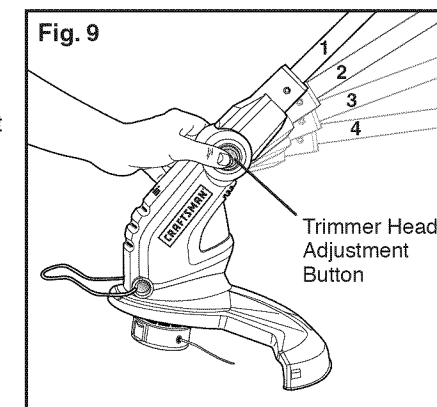
Your trimmer has a 4-position tilting head that easily adjusts to the desired working angle for optimum operator control and comfort. To adjust the trimmer head angle:

1. Remove the battery pack from the trimmer.

⚠ WARNING: To avoid injury, ALWAYS remove the battery from the trimmer BEFORE installing parts or cleaning the trimmer or making any adjustments.

2. Press the red trimmer head adjustment button on the motor housing (see Fig. 9).
3. Move the trimmer head to one of the four different angles and release the button. Head will click into position. Easily readjust the angle to a more efficient position as needed.

⚠ WARNING: BEFORE connecting the battery pack to your trimmer, BE SURE you are not pressing in on the trigger switch. Failure to do so could result in accidental start-up, which may cause serious personal injury.

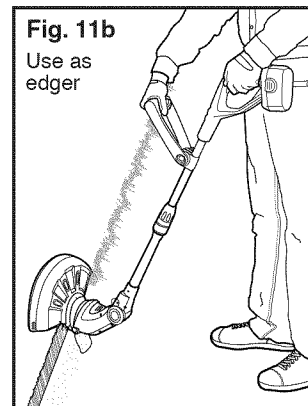
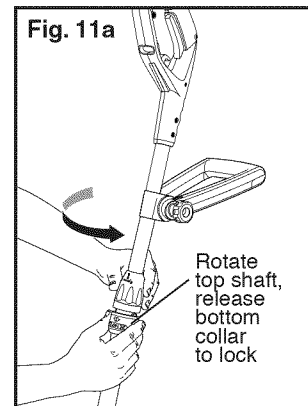
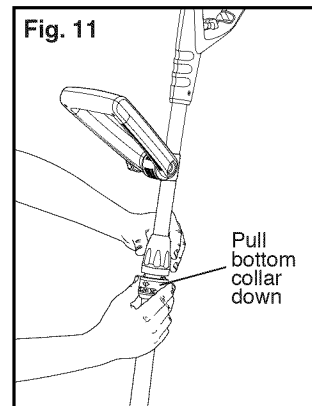


⚠ WARNING: If any part of the trimmer is missing or damaged, do not install the battery pack until the damaged part is repaired or replaced.

ASSEMBLY & ADJUSTMENTS cont.

TO USE TRIMMER FOR EDGING: ROTATE REAR HANDLE AND UPPER SHAFT 180° (Figs. 10, 11, 11a and 11b)

1. Remove the battery pack from the trimmer.
2. Pull bottom collar down and rotate top shaft, rear handle (and auxiliary handle) 180°
3. Release bottom collar to lock shaft in place.



OPERATION

TURNING TRIMMER ON AND OFF (Fig. 12)

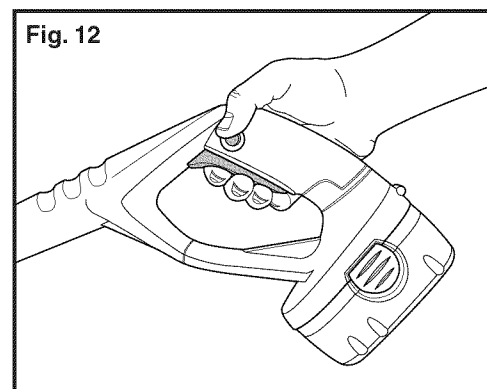
Your edger / trimmer has an extended length (4-finger) ON / OFF trigger switch and a safety ON button, both of which have to be depressed to turn the trimmer on. The trigger switch will not depress until the safety ON button is depressed.

Turning Trimmer ON

1. Install battery pack, and using your thumb, press in on the safety ON button.
2. While continuing to hold in the safety button, squeeze the trigger switch. Now the trimmer will come on.
3. Once the trimmer is on, you can release the safety button and the trimmer will remain on as long as you continue to squeeze the extended length trigger switch.

Turning Trimmer OFF

1. Release the trigger switch to turn trimmer OFF.
2. Allow at least 5 seconds for the cutting spool (line) to stop rotating.

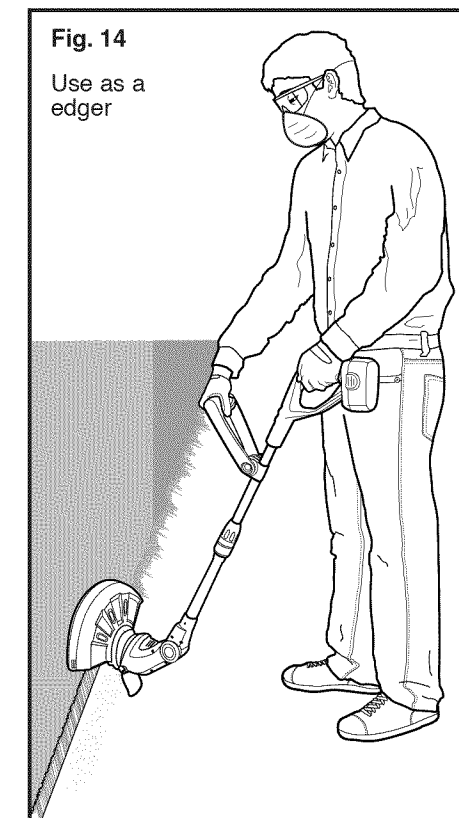
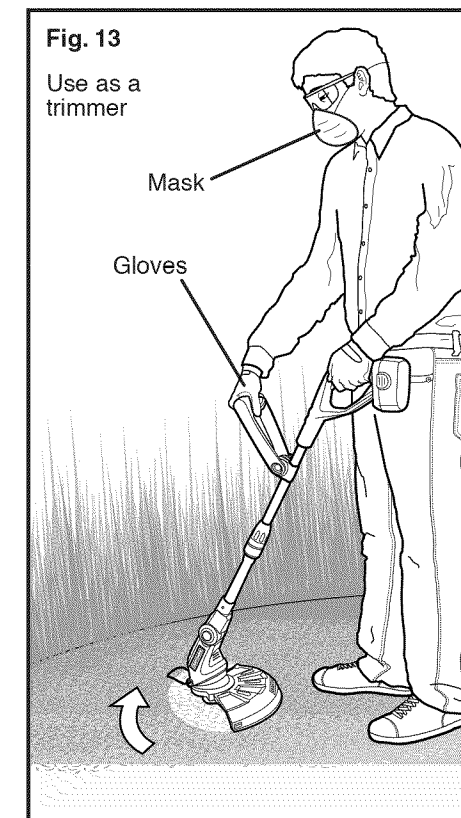


OPERATION cont.

TRIMMING AND EDGING (Figs. 13 and 14)

When trimming, cut from left to right for cutting efficiency; this throws the clippings away from the operator (Fig. 13).

To edge, rotate the shaft 180° (See Page 20, Figs. 11 and 11a). Place edge guide and trimmer head above the surface you are going to edge, as shown in Fig. 14.



⚠ WARNING: To avoid injury, DO NOT carry the trimmer with your finger on the trigger switch.

NOTE: ALWAYS keep the air vents on the trimmer's head (motor housing) free of obstructions when operating the trimmer.

⚠ WARNING: The operation of any trimmer can result in FOREIGN OBJECTS BEING THROWN, which can result in personal injury or property damage. ALWAYS use proper safety equipment.

OPERATION cont.

AUTOMATIC LINE FEED SYSTEM (Fig. 15 and 16)

When turning the trimmer ON for the first time a small length of line will automatically be fed out of the spool. To extend the line out to the full 12-inch cutting path, it will be necessary to start the trimmer and completely stop the trimmer approximately 4 to 5 times. Each time during this operation the line will be extended approx. ¼ to ½-inch (See Fig. 15). Continue extending the line until it comes into contact with the line cutter on the guard (See Fig. 16). A “clattering” noise will be heard when the line hits the cutter. This is normal. The line will automatically cut.

During use, the tip of the nylon line will become frayed and worn. Cutting line will wear faster and require more feeding if the cutting, trimming and edging is done by abrasive surfaces such as concrete sidewalks, driveways or heavier weeds. To feed more line, stop the trimmer completely and restart it (4 to 5 times as explained above), until the line comes in contact with the line cutter on the guard.

DO NOT BUMP unit on ground in attempt to feed line or for any other purposes.

Fig. 15

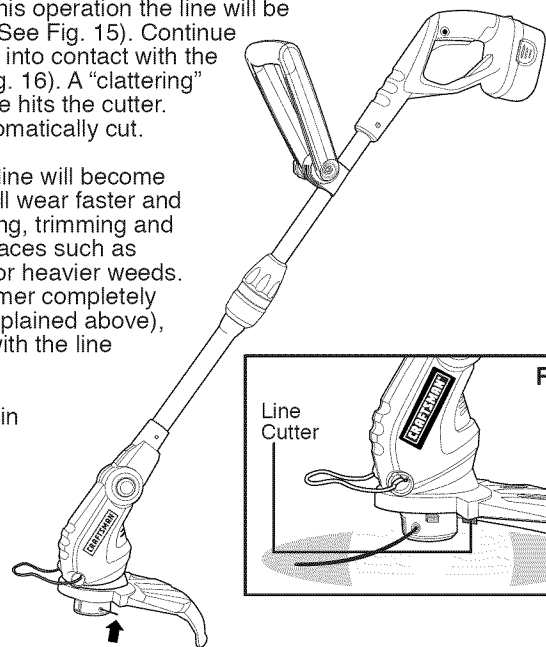
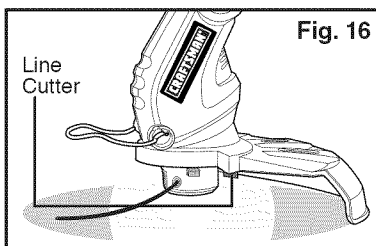


Fig. 16



TO MANUALLY FEED THE LINE (Fig. 17)

If required, line can be fed out manually. To manually feed line, press and release manual line feed button (See Fig. 17) and gently pull out the line until line reaches the line cutter. If the line extends past the line cutter, too much line has been fed out. If too much line has been fed out, remove spool cap (See Page 23, Fig. 18) and with one hand rotate the spool counterclockwise until it is stopped. Hold the spool in place, press the manual line feed button, rotate the spool, then release the button. The line should be shorter. Repeat these steps until the line is at the correct length, and even with the line cutter on the guard.

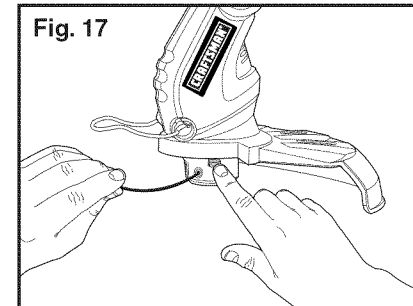


Fig. 17

WARNING: To avoid injury, ALWAYS remove the battery from the trimmer BEFORE installing parts or cleaning the trimmer or making any adjustments.

OPERATION cont.

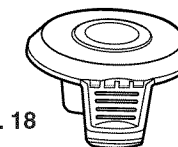
TO REPLACE CUTTING LINE (Fig. 18)

REMOVE THE SPOOL

For easy spool replacement we recommend using 71-85937, automatic feed replacement spool and 0.065 cutting line. It is factory wound for maximum reliability.

1. Remove the battery pack from the trimmer.
2. Press the release tabs on the spool head cover and remove cover, pulling it straight off of spool.
3. Lift the spool out of the spool housing.

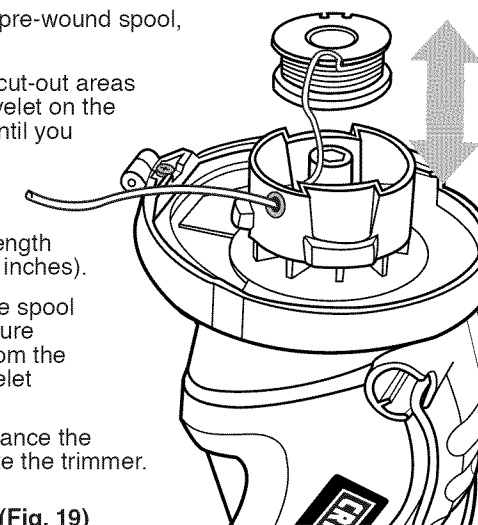
Fig. 18



REPLACE THE SPOOL

1. Replace the spool with a new factory pre-wound spool, Craftsman 71-85937.
2. Place the replacement spool into the cut-out areas of the spool, to line up with the one eyelet on the spool housing. Press it down gently until you feel it snap into place in the spool housing.
3. Take the cutting line out of the rail notch on the spool and feed a small length through the eyelet (approximately 1½ inches).
4. Snap the spool head cover back on the spool housing and at the same time make sure that the 1½ inch of line is released from the spool rail notch and is through the eyelet and exposed outside the spool head.

The Automatic Line Feed System will advance the line to the correct length when you operate the trimmer.

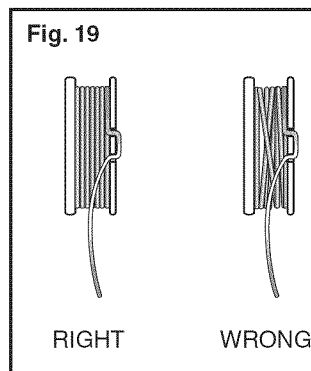


FILLING SPOOL WITH CUTTING LINE (Fig. 19)

You may wind new cutting line onto the empty spool. Only use 0.065 inch (1.65 mm) twisted (helical or spiral) shaped, not round, line for auto feed. We recommend Craftsman Professional 0.065-in. replacement trimmer line, Extra Quiet spiral, in packs of 40 ft., 71-85760.

1. Remove the empty spool from the tool as described in “TO REPLACE CUTTING LINE”.
2. Remove any remaining cutting line from the spool.
3. Wind new line onto the spool; Feed 3/4 inch of cutting line into the anchoring slot. Wind the cutting line onto the spool in the direction of the arrow on the spool. Make sure to wind the line neatly and in layers. Do not crisscross (see Fig. 19).
4. When the wound cutting line reaches the recess, cut the line. Temporarily park the line in the holding slot on the side of the spool as shown in Fig. 19.
5. Fit the spool onto the tool as described in “REPLACE THE SPOOL”.

Fig. 19



OPERATION cont.

⚠ CAUTION: Before you begin trimming, only use the appropriate type of cutting line.

OPERATING TIPS

1. **Before each use** make sure the protective safety guard is tightly installed. Tighten the guard screw, but **DO NOT** over tighten.
2. Be sure to check the auxiliary handle before each use, to make sure it is firmly tightened.
3. **Before trimming**, inspect the area for string, wire, branches, rocks, toys, or other objects that could be entangled in or thrown by the cutting line.
4. Stand with the cutting head tipped down at an angle in front, guiding the trimmer in a semi-circular motion around you.
5. Cut from left to right whenever possible. Cutting to the right improves the unit's cutting efficiency. Clippings are thrown away from the operator.
6. To produce a smoothly trimmed area, move the trimmer in and out of the area being cut with constant speed and height.
7. Use only the tip of the cutting line to do the trimming, especially near walls and fences. Trimming with the side of the cutting line may overload the motor, wear out the line faster, and break the line more often.
8. **DO NOT** rest the trimmer spool on the ground while you are trimming. This will cause spool wear.
9. When cutting vegetation that is over 6 inches in height, work from top to bottom in small increments to avoid premature line wear or engine drag.
10. If the trimmer is not cutting correctly, the auto feed may not be operating correctly, or the spool may be empty. Remove the spool and identify the problem. See page 22, **AUTOMATIC LINE FEED SYSTEM** and page 23, **REPLACE CUTTING LINE and FILLING SPOOL WITH CUTTING LINE.**

BRACKETS FOR CORDLESS TRIMMER, CHARGING STAND AND BATTERY PACK (Figs. 21, 22, 22a and 23)

The 2 storage brackets are a convenient way to help keep your trimmer, charging stand and battery pack organized, ready for use and stored up, out of the way in a dry place.

The trimmer's storage bracket mounts to wall with 4 screws and the trimmer can attach to bracket two different ways (See Fig. 21).

The charging stand's bracket mounts with 4 screws also, **but mount the charging stand and its power cord into the bracket before** screwing it down tight (See Figs. 22 and 22a).

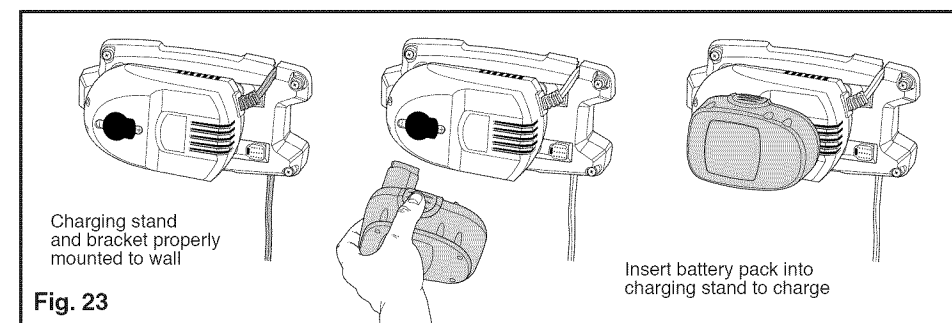
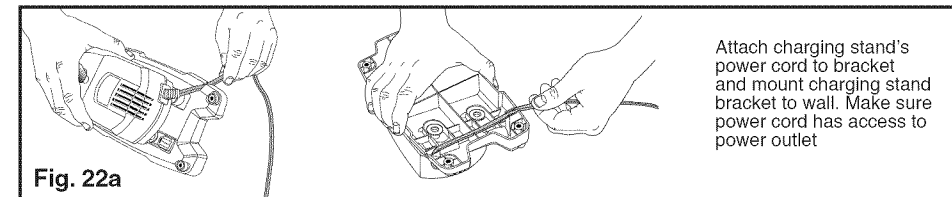
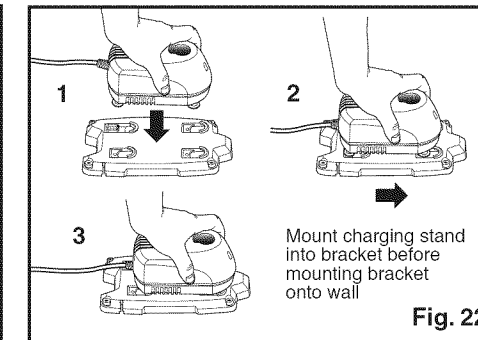
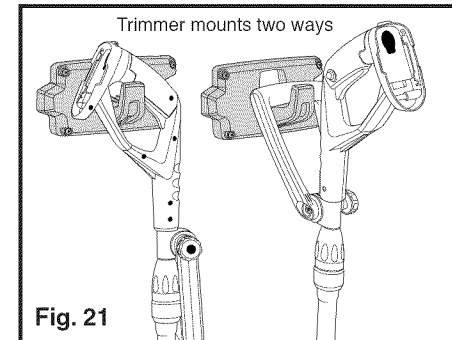
NOTE: Before mounting the charging stand bracket to the wall, make sure the power cord has access to a power outlet.

⚠ WARNING: NEVER store your cordless trimmer, or leave your trimmer unattended, with the battery pack installed.

⚠ WARNING: Store your trimmer, charging stand and battery pack up and away from children. Children **MUST NOT** operate the tool.

OPERATION cont.

BRACKETS FOR CORDLESS TRIMMER, CHARGING STAND AND BATTERY PACK cont. (Figs. 21, 22, 22a and 23)



The battery pack can be conveniently stored in the charging stand, but **ALWAYS** make sure the charging stand is disconnected from the power supply when storing the battery pack in the charging stand. **SEE PAGES 8, 9, 10, 14 and 15 FOR IMPORTANT BATTERY PACK INFORMATION.**

NOTE: Tighten all mounting screws securely. Always check to make sure the bracket is tight to the wall, securely in place, and does not move.

⚠ WARNING: The battery charging stand and trimmers are heavy; make sure the storage brackets are securely mounted to the wall. Failure to do so can result in damage to trimmer, charging stand and battery pack and can cause serious personal injury.

MAINTENANCE

⚠ WARNING: When servicing, use only identical Craftsman replacement parts. Use of any other part may create a hazard or cause product damage.

⚠ WARNING: To avoid injury, ALWAYS turn trimmer off and disconnect the battery from the trimmer BEFORE installing parts or cleaning the trimmer or making any adjustments.

GENERAL MAINTENANCE

Keep your trimmer clean and in good repair for maximum long-lasting performance. Check for damaged, missing, or worn parts. Check for loose screws, misalignment, moving parts that are jammed, or any other conditions that may affect the operation. If abnormal vibration or noise occurs, turn off the tool immediately and have the problem corrected before further use. DO NOT use the trimmer if it has any broken parts. Have damaged, missing, worn or broken parts replaced before using trimmer.

CLEANING

⚠ WARNING: To avoid injury, ALWAYS turn trimmer off and disconnect the battery from the trimmer BEFORE installing parts or cleaning the trimmer or making any adjustments.

⚠ WARNING: To avoid damage or electric shock, DO NOT use strong solvents or detergents on the plastic housing or plastic components. Certain household cleaners may damage plastic and may also cause a shock hazard.

Wipe the outside of the trimmer with a dry, soft cloth. **DO NOT hose down or wash the trimmer with water.** Scrape the guard and spool area to remove dried clippings and mud. Brush or blow dust, debris and grass clippings out of the air vents. Keep the vents free of obstruction.

ACCESSORIES

⚠ WARNING: The use of attachments or accessories that are not recommended for this tool might be dangerous and could result in serious injury. Do not attempt to use fishing line or other lines that are not recommended.

CUTTING LINE

Replace the cutting line ONLY with 0.065 inch (1.65 mm) twisted (helical or spiral) shaped, not round, line for auto feed. Craftsman Professional 0.065-in. replacement trimmer line, 71-85760, in packs of 40ft., is recommended.

SPOOL

Replace the spool with a new pre-wound spool (Craftsman Automatic Feed Spool 71-85937). Line and spools are available at Sears Stores or other Craftsman outlets.

BATTERY PACKS

Replacement or extra battery packs are available at your nearest Sears Parts and Repair Service Centers. See part number on PARTS LIST.

Visit your local Sears store or other Craftsman outlets or shop sears.com/craftsman.

ACCESSORIES cont.

⚠ WARNING: To avoid injury, ALWAYS remove the battery from the trimmer BEFORE installing parts or cleaning the trimmer or making any adjustments.

BATTERY CARE

The battery pack for this tool is equipped with nickel-cadmium rechargeable batteries. Length of service from each charging will depend on the type of work you are doing.

The batteries in this tool have been designed to provide maximum trouble-free life. However, like all batteries, they will eventually wear out. DO NOT disassemble battery pack and attempt to replace the batteries. Handling of these batteries, especially when wearing rings and jewelry, could result in a serious burn.

To obtain the longest possible battery life, we suggest the following:

1. Remove the battery pack from the charging stand once it is fully charged and ready for use.

For battery storage longer than 30 days:

- Store the battery pack where the temperature is below 80°F
- Store battery packs in a "discharged" condition

BATTERY PACK REMOVAL AND PREPARATION FOR RECYCLING

To preserve natural resources, please recycle or dispose of batteries properly.

This product contains nickel-cadmium batteries. Local, state or federal laws may prohibit disposal of nickel-cadmium batteries in ordinary trash.

Consult your local waste authority for information regarding available recycling and / or disposal options.

⚠ WARNING: Upon removal, cover the battery pack's terminals with heavy-duty adhesive tape. Do not attempt to destroy or disassemble battery pack or remove any of its components. Nickel-cadmium batteries must be recycled or disposed of properly. Also, never touch both terminals with metal objects and / or body parts as short circuit may result. Keep away from children. Failure to comply with these warnings could result in fire and / or serious injury.



CONTAINS NICKEL-CADMIUM BATTERIES MUST BE RECYCLED OR DISPOSED OF PROPERLY. SEE OPERATORS MANUAL

NEED MORE HELP?

You'll find the answer and more on managemyhome.com – for free!

- Find this and all your other product manuals online.
- Get answers from our team of home experts.
- Get a personalized maintenance plan for your home.
- Find information and tools to help with home projects.

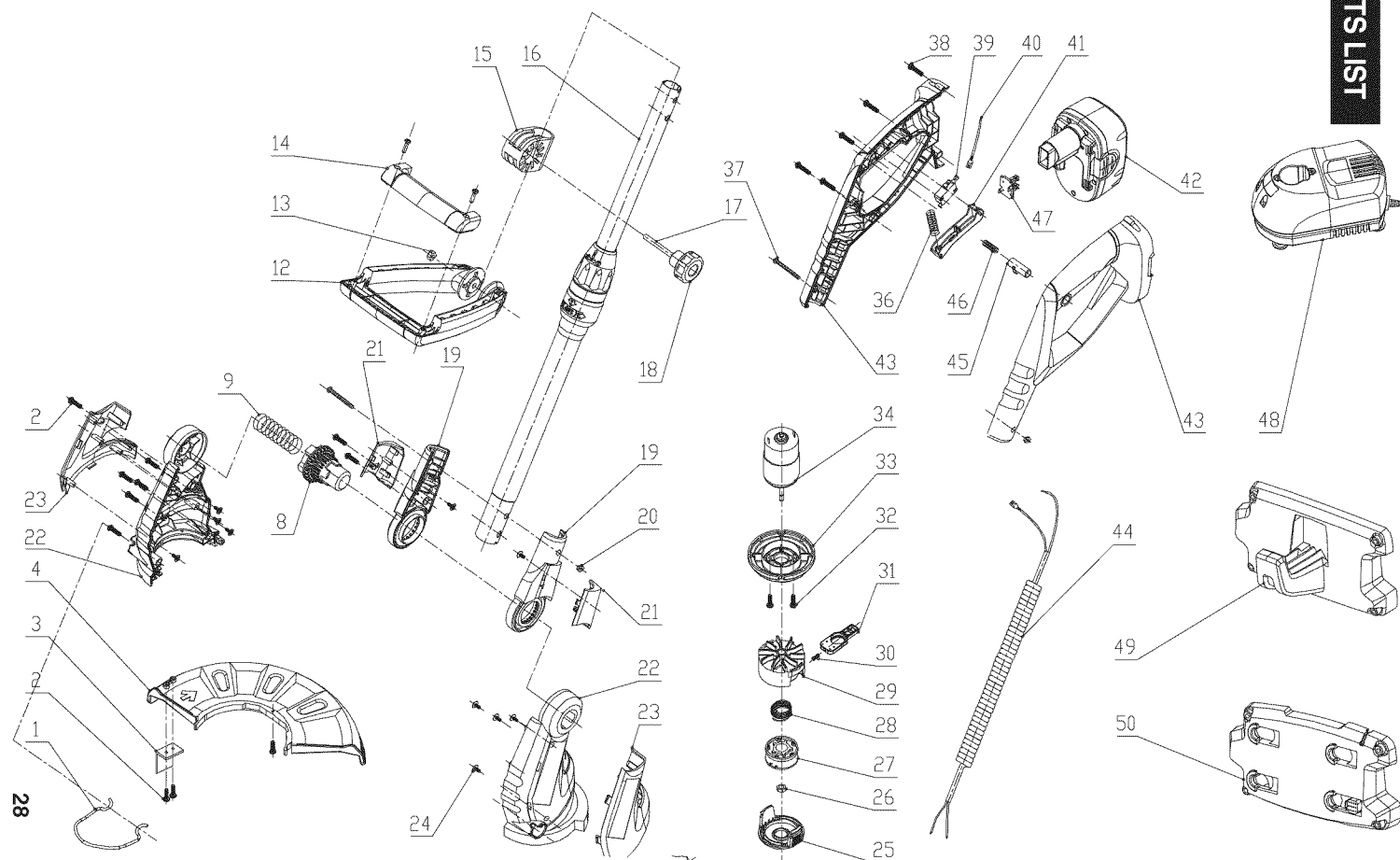
manage my home

brought to you by Sears

12-in. Weedwacker® Cordless Trimmer

Model No. 172.74815

The model number will be found on the nameplate of the Trimmer. Always mention the model number when requesting parts and service for your tool.



PARTS LIST

12-in. Weedwacker® Cordless Trimmer

Model No. 172.74815

The model number will be found on the nameplate of the Trimmer. Always mention the model number when requesting parts and service for your tool.

PARTS LIST

Item No.	Parts No.	Part Description	Qty.
1	CGT183UA-1	Space Guard	1
2	CGT183UA-2	Self Tapping Screw	17
3	CGT183UA-3	Cutting Blade	1
4	CGT183UA-4	Guard	1
8	CGT183UA-8	Lock Button	1
9	CGT183UA-9	Compression Spring	1
12	CGT183UA-12	Steady Handle Supper	1
13	CGT183UA-13	Nut	1
14	CGT183UA-14	Steady Handle Cover	1
15	CGT183UA-15	Gear Sleeve	1
16	CGT183UA-16	Retract Tube Assembly	1
17	CGT183UA-17	Bolt	1
18	CGT183UA-18	Pivot Release Lever	1
19	CGT183UA-19	Left & Right Housing Eddy	1
20	CGT183UA-20	Nut	2
21	CGT183UA-21	Left & Right Housing Eddy Cover	1
22	CGT183UA-22	Left & Right Housing	1
23	CGT183UA-23	Left & Right Housing Cover	1
24	CGT183UA-24	Self Tapping Screw	10
25	CGT183UA-25	Cutting Head Cover	1
26	CGT183UA-26	Nut	1
27	CGT183UA-27	Spool	1

Item No.	Parts No.	Part Description	Qty.
28	CGT183UA-28	Cutting Line	1
29	CGT183UA-29	Cuting Head	1
30	CGT183UA-30	Compression Spring	1
31	CGT183UA-31	Line Feeder	1
32	CGT183UA-32	Bolt	1
33	CGT183UA-33	Fixing Block	1
34	CGT183UA-34	Motor	1
36	CGT183UA-36	Compression Spring	1
37	CGT183UA-37	Screw	2
38	CGT183UA-38	Self Tapping Screw	1
39	CGT183UA-39	Switch	1
40	CGT183UA-40	Inner Wire	1
41	CGT183UA-41	Trigger	1
42	CGT183UA-42	Battery Pack	1
43	CGT183UA-43	Left & Right Handle	1
44	CGT183UA-44	Coiled Cable	1
45	CGT183UA-45	Lock Off Actuator	1
46	CGT183UA-46	Compression Spring	1
47	CGT183UA-47	Plug Support	1
48	CGT183UA-48	Charger	1
49	CGT183UA-49	Hand Base	1
50	CGT183UA-50	Hand Base	1

Get it fixed, at your home or ours!

Your Home

For expert troubleshooting and home solutions advice:

manage my home

www.managemyhome.com

For repair – **in your home** – of **all** major brand appliances, lawn and garden equipment, or heating and cooling systems, **no matter who made it, no matter who sold it!**

For the replacement parts, accessories and owner's manuals that you need to do-it-yourself.

For Sears professional installation of home appliances and items like garage door openers and water heaters.

1-800-4-MY-HOME®

(1-800-469-4663)

www.sears.com

Call anytime, day or night

(U.S.A. and Canada)

www.sears.ca

Our Home

For repair of carry-in items like vacuums, lawn equipment, and electronics, call anytime for the location of the nearest

Sears Parts & Repair Service Center

1-800-488-1222 (U.S.A.)

www.sears.com

1-800-469-4663 (Canada)

www.sears.ca

To purchase a protection agreement on a product serviced by Sears:

1-800-827-6655 (U.S.A.)

1-800-361-6665 (Canada)

Para pedir servicio de reparación a domicilio, y para ordenar piezas:

1-888-SU-HOGAR®

(1-888-784-6427)

Au Canada pour service en français:

1-800-LE-FOYER^{MC}

(1-800-533-6937)

www.sears.ca

Sears

© Sears Brands, LLC

® Registered Trademark / ™ Trademark / ™ Service Mark of Sears Brands, LLC

® Marca Registrada / ™ Marca de Fábrica / ™ Marca de Servicio de Sears Brands, LLC

^{MC} Marque de commerce / ^{MD} Marque déposée de Sears Brands, LLC