

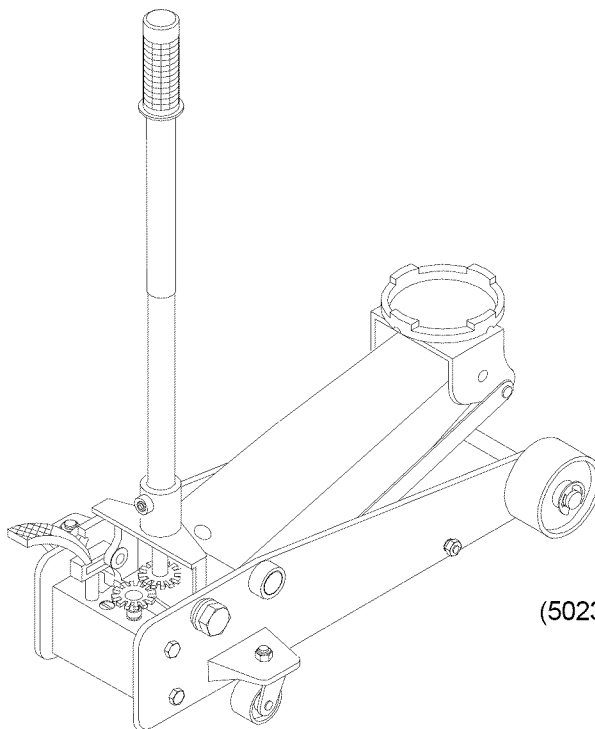
Operator's Manual



Service Jack

Models 50234 - 3 Ton Capacity
50238 - 2 1/2 Ton Capacity

- Safety
- Operation
- Maintenance
- Parts



(50234 shown)

CAUTION: Before using this product, read this manual and follow all its Safety Rules and Operating Instructions.

ATENCIÓN: Leer, comprender, y seguir las instrucciones antes de utilizar el aparato. El manual de instrucciones y la información de seguridad deben estar comunicado en lengua del operador antes del uso. No seguir estas indicaciones puede causar daños personales o materiales.

Sears, Roebuck and Co., Hoffman Estates, IL 60179 U.S.A.
www.sears.com/craftsman

Part No. 50234-38

Printed in China 01/02

PRODUCT DESCRIPTION

CRAFTSMAN Service Jacks are designed for lifting, but not sustaining, loads ranging from 2 1/2 tons through 3 tons depending on the rated capacity of the jack. After lifting, loads must be **immediately** supported by appropriate means such as jack stands. Service jacks with the hydraulic lift speedy lift feature (50238) provide one pump to lift point contact. Model No. 50234 features a mechanical speedy lift in the form of a foot operated pump handle. Each is designed to be used in conjunction with jack stands. These jacks are intended to be used to lift one axle or corner of a vehicle for the purpose of service and repair. Check with vehicle manufacturer's manual for proper lift points. These jacks comply with applicable **ASME / ANSI** Standards.

SAFETY INSTRUCTIONS

- Save these instructions.
- For your safety and the safety of others around you, read carefully before attempting to assemble, service or use your jack.
- The owner and operator shall have an understanding of this product and safe operating procedures before attempting to use.
- Do not operate jack if you any doubt as to its safe and proper use as outlined in this operator's manual.
- Inspect before each use.
- It is the operator's responsibility to translate, or have translated, instruction and safety information to his/her native language.

SPECIFICATIONS

Model	Capacity	Base Size (L x W)	Min. Height	Max. Height
50238	2-1/2 Ton	29-3/4" X 13-1/4" X 6-1/4"	3-3/4"	20"
50234	3 Ton	25" X 13-3/8" X 6-5/8"	5-1/4"	19"

SAFETY INSTRUCTIONS (cont.)

- Do not use if leaking, broken, bent, cracked or otherwise damaged parts are noted.
- If you know or suspect that the jack has been subjected to a shock load (a load dropped suddenly and violently onto it), immediately discontinue use until jack has been checked by a qualified service facility.
- Owners and operators of this equipment shall be aware that the use and subsequent repair of this equipment may require special training and knowledge.
- Only replace any missing parts, labels, decals or printed material with those available from Sears.
- Any jack that appears to be damaged in any way, is worn or operates abnormally shall be removed from service immediately.
- Always wear safety glasses when operating this product.
- Do not use foot pedal to raise loaded lift arm.
- Do not dolly the load with jack.
- Failure to comply with the information contained within could result in personal injury and/or property damage.

ATENCIÓN

- Leer, comprender, y seguir las instrucciones antes de utilizar el aparato.
- El manual de instrucciones y la información de seguridad deben estar comunicado en lengua del operador antes del uso.
- No seguir estas indicaciones puede causar daños personales o materiales.



To avoid personal injury and/or property damage:

Study, understand, and follow all instructions before operating this device. Do not exceed rated capacity. Use only on hard, level surfaces. This is a lifting device only. Immediately after lifting, support the vehicle with appropriate means such as jack stands. Do not move or dolly the vehicle while on the jack. Be sure all tools and personnel are clear before lowering load.

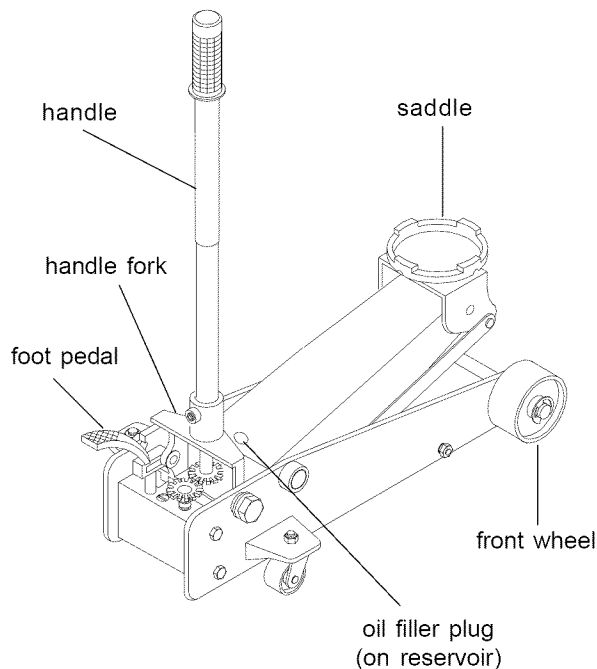


Figure 1 - Model 50234 Nomenclature

BEFORE USE

1. Verify that the product and the application are compatible.
2. Before using this product, read this owners manual completely and familiarize yourself thoroughly with the product, its components and recognize the hazards associated with its use.
3. Locate and open the release valve (counterclockwise no more than 2 full turns).
4. With saddle fully lowered, locate and remove the oil filler plug. Insert the handle into the handle sleeve, then pump 6 to 8 full strokes. This will help release any pressurized air which may be trapped within the reservoir. Ensure the oil level is just below the rim of the oil filler plug hole. Reinstall the oil filler plug.
5. Check to ensure that jack rolls freely and that the pump operates smoothly before putting into service. Replace worn or damaged parts and assemblies with Sears Replacement Parts only (See Replacement Parts section in this manual). Lubricate as instructed in Maintenance Section.
6. Inspect before each use. Do not use if bent, broken or cracked components are noted.

ASSEMBLY

Little, if any assembly is required of these jacks. Always secure the handle to the handle fork by means of the M12 X 7.5 bolt and lock washer provided. Tighten securely to prevent accidental removal of handle while in use. Please familiarize yourself with the illustrations in the owners manual. Know your jack and how it operates before attempting to use.

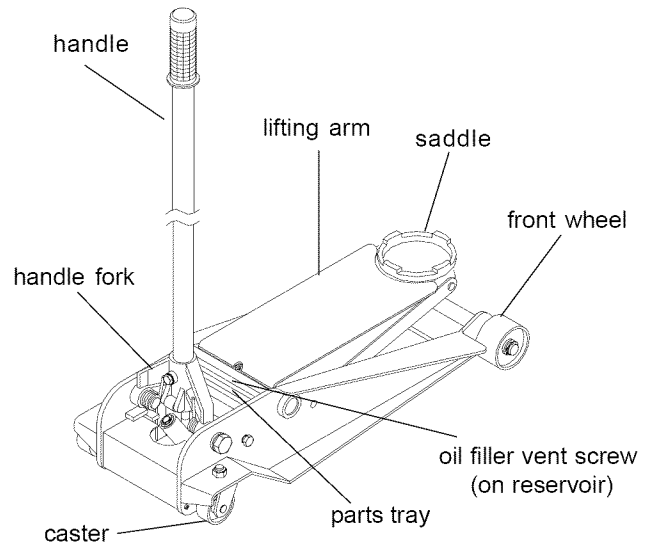


Figure 2 - Model 50238 Nomenclature

OPERATION

Lifting

1. Place vehicle in park, with emergency brake on and wheels securely chocked to prevent accidental vehicle movement.
2. Locate and close release valve by turning handle clockwise, firmly. Position jack saddle under lift point.
3. Verify lift point, then pump handle to contact lift point. To lift, pump handle until load reaches desired height.

Note: Model 50238 features a 2 speed hydraulic system that allows the lift arm to be raised to the lift point in 1 or 2 strokes of the handle. After the load is contacted, 2 or 3 additional pumps may be required to fill the low pressure cavity of the hydraulic system and begin the high pressure, load lifting process at approximately .5" - .75" inches per full handle stroke. Model 50234 features a foot (or hand) operated pedal that is integral to the pump piston assembly. This allows the user to raise the jack saddle to contact the load without pumping through the full arc of the operating handle.

4. Transfer the load immediately to appropriately rated jack stands.

CAUTION: Use the handle provided with this product or an authorized replacement handle to ensure proper release valve operation. When using to lift vehicle, lift only on the manufacturer's recommended lift points. Refer to your vehicle owner's manual.

Lowering

1. Raise load high enough to clear the jack stands, then carefully remove those jack stands (**always** used in pairs).
2. Slowly turn the handle counterclockwise, but no more than 1/2 turn. **If** the load fails to lower:
 - a. Use another jack to raise the vehicle high enough to re-install jack stands.
 - b. Remove the affected jack and then the stands.
 - c. Using the other jack, lower the load by turning the operating handle counter-clockwise, but no more than 1/2 full turn.

MAINTENANCE

Important: Use only a good grade hydraulic jack oil. Avoid mixing different types of fluid and **NEVER** use brake fluid, turbine oil, transmission fluid, motor oil or glycerin. Improper fluid can cause failure of the jack and the potential for sudden and immediate loss of load.

Adding oil

1. With saddle fully lowered and pump piston fully depressed, set jack in its upright, level position. Locate and remove oil filler plug/screw.
2. Fill with oil until just below the rim of the oil filler plug hole. Reinstall the oil filler plug/screw.

Changing oil

For best performance and longest life, replace the complete fluid supply at least once per year.

1. With saddle fully lowered and pump piston fully depressed, remove the oil filler plug/screw.
2. Lay the jack on its side and drain the fluid into a suitable container.

Note: Dispose of hydraulic fluid in accordance with local regulations.

3. Fill with oil until just below the rim of the oil filler plug hole. Reinstall the oil filler plug/screw.

Lubrication

1. A periodic coating of light lubricating oil to pivot points, axles and hinges will help to prevent rust and assure that wheels, casters and pump assemblies move freely.

Cleaning

Periodically check the pump piston and ram for signs of rust or corrosion. Clean as needed and wipe with an oily cloth.

Note: Never use sandpaper or abrasive material on these surfaces !

Storage

When not in use, store the jack with pump piston and ram fully retracted.

TROUBLESHOOTING

Symptom	Possible Causes	Corrective Action
Jack will not lift load	<ol style="list-style-type: none"> 1. Release valve not tightly closed 2. Overload condition 	<ol style="list-style-type: none"> 1. Ensure release valve tightly closed 2. Remedy overload condition
Jack *bleeds off after lift	<ol style="list-style-type: none"> 1. Release valve not tightly closed 2. Overload condition 3. Power unit malfunction 	<ol style="list-style-type: none"> 1. Ensure release valve tightly closed 2. Remedy overload condition 3. Replace power unit
Jack will not lower after unloading	<ol style="list-style-type: none"> 1. Reservoir overfilled 2. Linkages binding 	<ol style="list-style-type: none"> 1. Drain fluid to proper level 2. Clean and lubricate moving parts
Poor lift performance	<ol style="list-style-type: none"> 1. Fluid level low 2. Air trapped in system 	<ol style="list-style-type: none"> 1. Ensure proper fluid level 2. With ram fully retracted, remove oil filler plug/screw to let pressurized air escape, then reinstall oil filler plug/screw.
Will not lift to full extension	<ol style="list-style-type: none"> 1. Fluid level low 	<ol style="list-style-type: none"> 1. Ensure proper fluid level

* "Bleeding off" means that jack begins to slowly lower rather than keep load at height.

FULL ONE YEAR WARRANTY

For one year from the date of purchase, if this product fails due to a defect in material or workmanship, Sears will repair it free of charge. Call 1-888-332-6419 for the location of the nearest authorized repair center.

This warranty applies only while this product is used in the United States. Warranty is void if product is leased or rented.

This warranty gives you specific legal rights, and you may also have other rights which vary from state to state.

Sears Roebuck and Co., Dept. 817WA, Hoffman Estates, IL 60179

PARTS

When ordering replacement parts, please refer to the model number / serial number found on the product, then give the part number and description. For example, to order an oil filler plug for a model 50234 simply order Part No. 50234-05.

Model No. 50234

<u>Figure No.</u>	<u>Part No.</u>	<u>Description</u>	<u>Quantity</u>
1	50234-01	power unit (power unit)	1
2	50234-02	front wheel assembly	2
3	50234-03	rear caster assembly	2
4	50234-04	saddle	1
5	50234-05	oil filler plug	1
6	50234-06	handle assembly	1
7	50234-07	foot pedal	1
8	50234-08	handle gear assembly	1
9	50234-09	foot pedal return spring	1
10	50234-10	handle fork return spring	1
11	50234-11	lift arm return spring	1
--	50234-38	operator's manual (not shown)	1

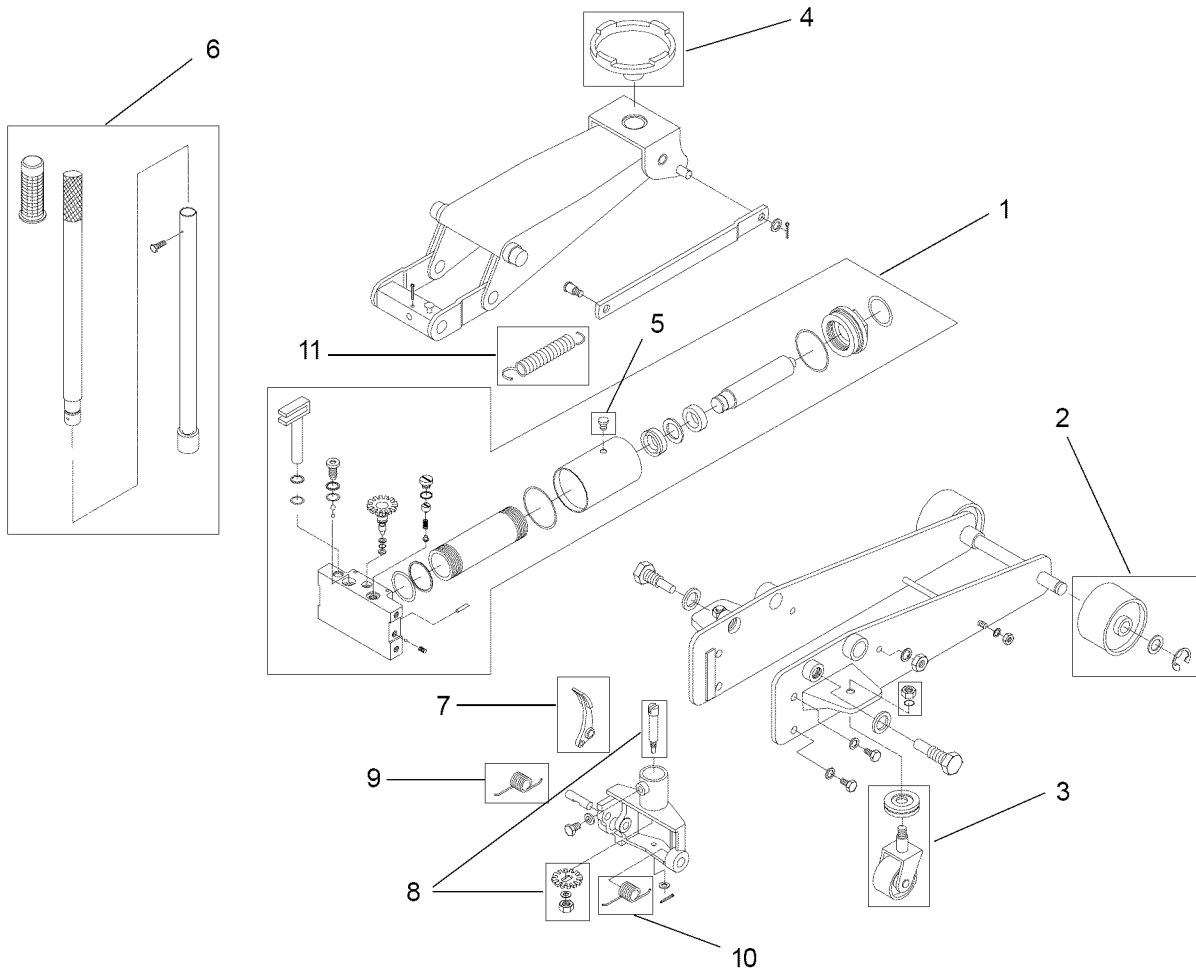


Figure 3 - Replacement Parts Illustration for Model 50234

PARTS

When ordering replacement parts, please refer to the model number / serial number found on the product, then give the part number and description. For example, to order an oil filler screw for a model 50238 simply order Part No. 50238-05.

Model No. 50238

<u>Figure No.</u>	<u>Part No.</u>	<u>Description</u>	<u>Quantity</u>
1	50238-01	power unit (hydraulic unit)	1
2	50238-02	front wheel assembly	2
3	50238-03	rear caster assembly	2
4	50238-04	saddle	1
5	50238-05	oil filler screw	1
6	50238-06	handle assembly	1
7	50238-07	handle grip	1
8	50238-08	bolt and washer	1
9	50238-09	handle fork return spring	2
10	50238-10	lift arm return spring	2
11	50238-11	u joint	1
12	50238-12	cover plate	1
--	50234-38	operator's manual (not shown)	1

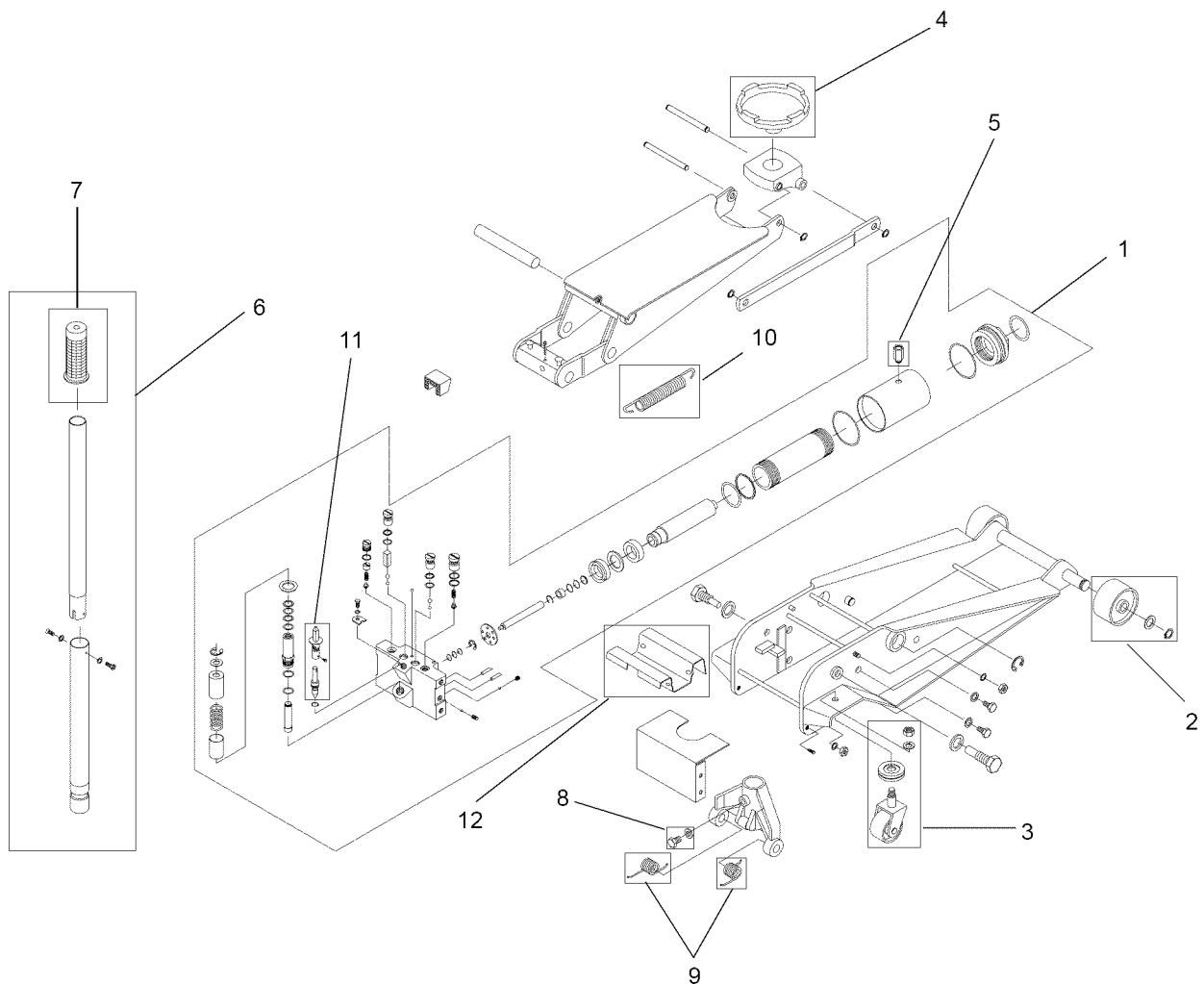


Figure 4 - Replacement Parts Illustration for Model 50238

Get it fixed, at your home or ours!

For repair of major brand appliances **in your own home**
no matter who made it, no matter who sold it!

1-800-4-MY-HOME^{fi} Anytime, day or night
(1-800-469-4663) (U.S.A. and Canada)

www.sears.com

www.sears.ca

For repair of carry-in products like vacuums, lawn equipment,
and electronics, call for the location of your nearest
Sears Parts and Repair Center.

1-800-488-1222 Anytime, day or night (U.S.A. only)

www.sears.com

For the replacement parts, accessories and owner's manuals
that you need to do-it-yourself, call **Sears PartsDirectSM!**

1-800-366-PART 6 a.m. - 11 p.m. CST, 7 days a week
(1-800-366-7278) (U.S.A. only)

www.sears.com/partsdirect

To purchase or inquire about a Sears Service Agreement
or Sears Maintenance Agreement:

1-800-827-6655 (U.S.A.)

7 a.m. - 5 p.m. CST, Mon. - Sat.

1-800-361-6665 (Canada)

9 a.m. - 8 p.m. EST, M - F, 4 p.m. Sat.

Para pedir servicio de reparaci3n a
domicilio, y para ordenar piezas:

1-888-SU-HOGARSM
(1-888-784-6427)

Au Canada pour service en fran 7ais:

1-800-LE-FOYER^{MC}
(1-800-533-6937)
www.sears.ca



^{fi} Registered Trademark / TM Trademark / SM Service Mark of Sears, Roebuck and Co.

^{fi} Marca Registrada / TM Marca de F6brica / SM Marca de Servicio de Sears, Roebuck and Co.

^{MC} Marque de commerce / ^{MD} Marque d6pos6e de Sears, Roebuck and Co.

[®] Sears, Roebuck and Co.