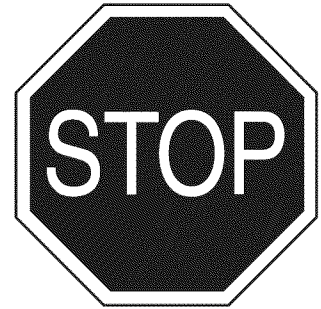


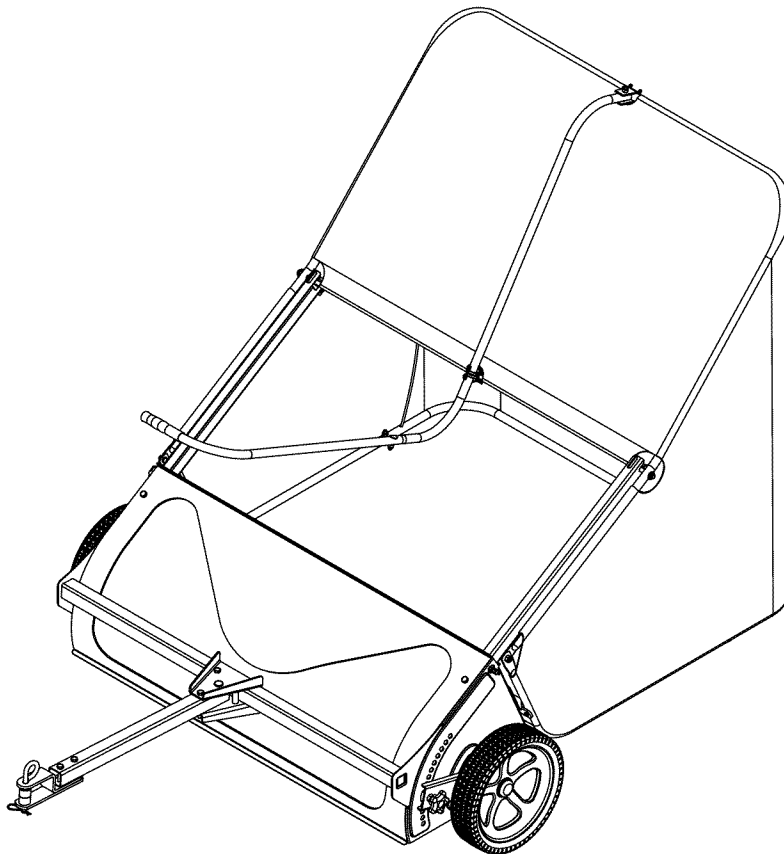
# Operator's Manual



## 44" HIGH SPEED SWEEPER

Model No. 486.24029

DO NOT RETURN TO STORE  
For Missing Parts or Assembly  
Questions Call 1-866-576-8388



### CAUTION:

Before using this product, read this manual and follow all Safety Rules and Operating Instructions.

- Safety
- Assembly
- Operation
- Maintenance
- Parts

Sears Brands Management Corporation, Hoffman Estates, IL 60179 U.S.A.  
[www.craftsman.com](http://www.craftsman.com)

# TABLE OF CONTENTS

WARRANTY .....	2	MAINTENANCE .....	11
SAFETY RULES.....	3	STORAGE .....	11
CARTON CONTENTS.....	3	SERVICE AND ADJUSTMENTS.....	12
HARDWARE PACKAGE .....	4	NOTES .....	13
ASSEMBLY.....	5	REPAIR PARTS ILLUSTRATION.....	14
OPERATION.....	10	REPAIR PARTS LIST.....	15
TROUBLESHOOTING.....	11	PARTS ORDERING/SERVICE .....	BACK PAGE

## WARRANTY

### CRAFTSMAN ONE YEAR FULL WARRANTY

For one year from the date of purchase, this product is warranted against any defects in material or workmanship. A defective product will be replaced free of charge.

For warranty coverage details to obtain free replacement, visit the web site: [www.craftsman.com](http://www.craftsman.com)

This warranty is void if this product is ever used while providing commercial services or if rented to another person.

This warranty gives you specific legal rights, and you may also have other rights which vary from state to state.

**Sears Brands Management Corporation, Hoffman Estates, IL 60179**

The model number and serial numbers will be found on a decal attached to the 44" High Speed Sweeper.  You should record both the serial number and the date of purchase and keep in a safe place for future reference.	MODEL NUMBER:	486.24029
	SERIAL NUMBER:	_____
	DATE OF PURCHASE:	_____



## SAFETY RULES



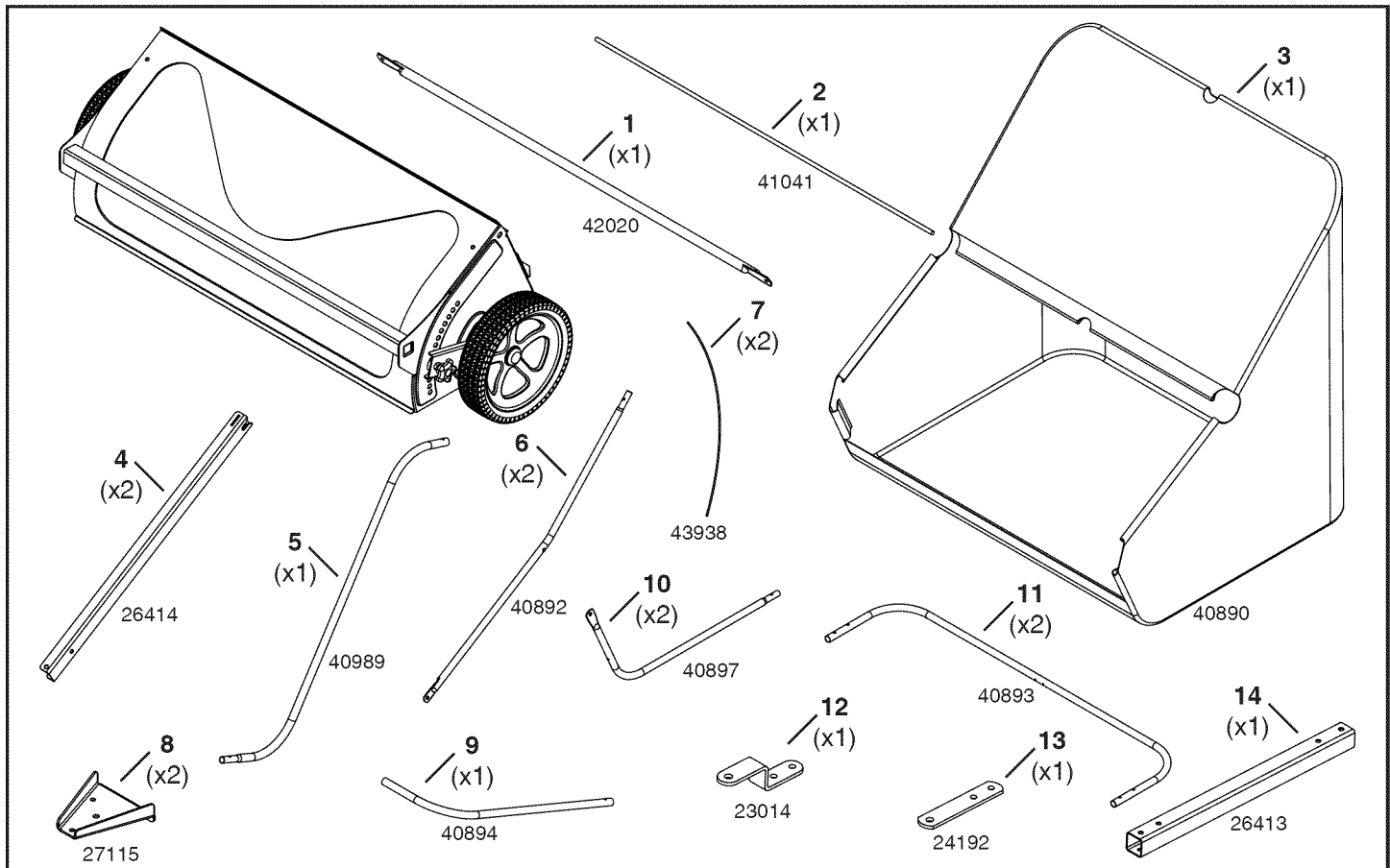
Remember, any power equipment can cause injury if operated improperly or if the user does not understand how to operate the equipment. Exercise caution at all times when using power equipment.

- Read the vehicle and sweeper owners manuals and know how to operate your vehicle and sweeper before using this sweeper attachment. Always instruct other users before they operate the sweeper.
- Vehicle braking and stability may be affected with the addition of an accessory or an attachment. Be aware of changing conditions on slopes.
- Do not permit children to operate sweeper.
- Do not permit anyone to ride on sweeper.
- Operate the sweeper at reduced speed on rough terrain, near ditches and on hillsides to prevent loss of control.
- Vehicle braking and stability may be affected with attachment of this sweeper. Do not fill sweeper to maximum capacity without checking capability of the towing vehicle to safely pull and stop with the sweeper attached. Stay off of steep slopes
- Do not exceed 6 m.p.h. Driving too fast may cause damage to sweeper's wheels and bearings.
- Do not hold onto dump handle while tractor is moving.
- Never attach dump handle to tractor or any part of your body. Always keep it secured to the hopper bag while tractor is moving. If any part of dump handle should become damaged, stop use of sweeper and replace the damaged part.
- Stop and inspect vehicle and sweeper for damage after striking an object. Repair any damage before continuing operation.
- Keep sweeper away from fire. Excessive heat can damage the brushes and hopper bag and could cause the bag and its contents to burn.
- Before storing the sweeper, always empty the hopper bag to avoid spontaneous combustion.
- Follow maintenance and lubrication instructions as outlined in the maintenance section of this manual.



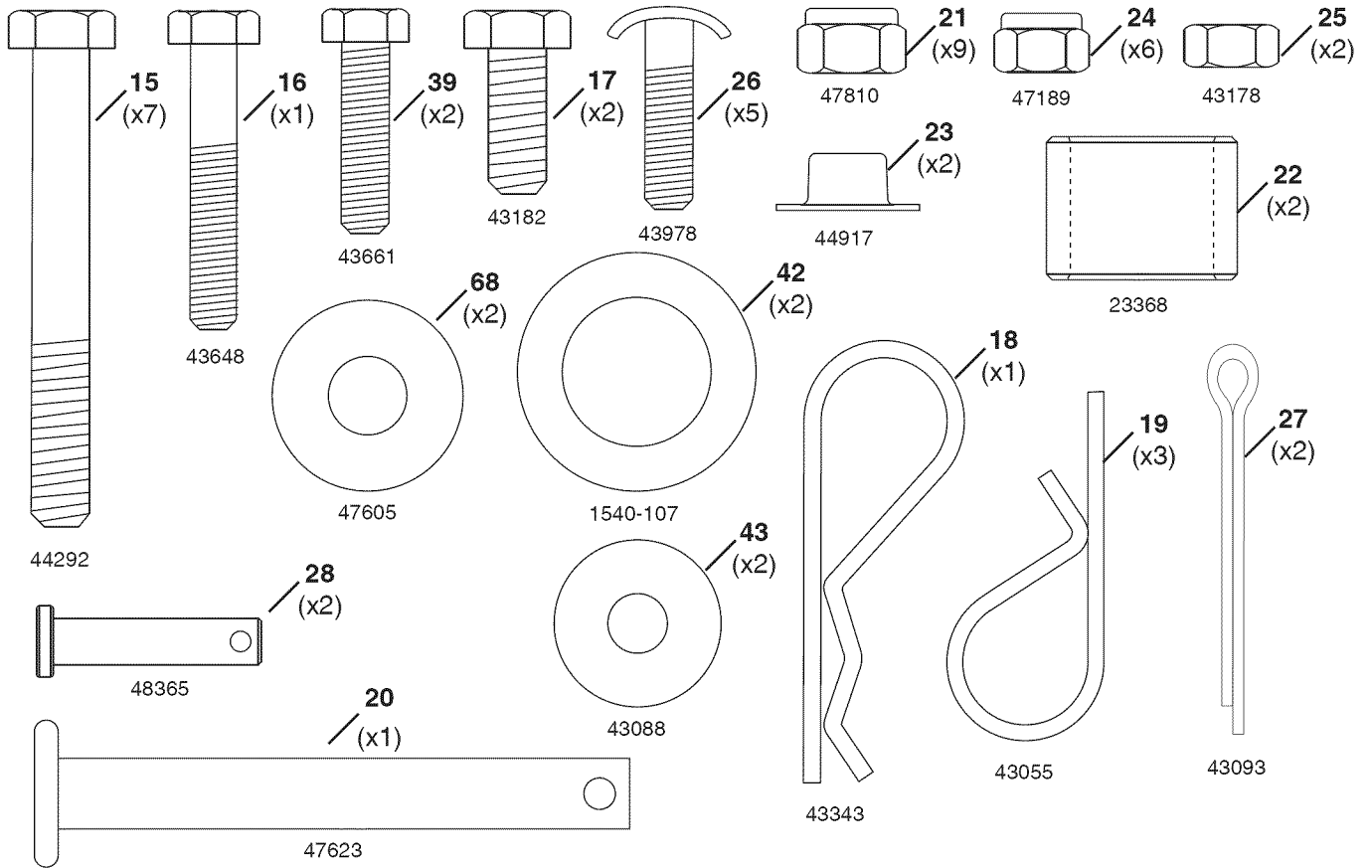
Look for this symbol to point out important safety precautions. It means — **Attention! Become alert! Your safety is involved.**

## CARTON CONTENTS

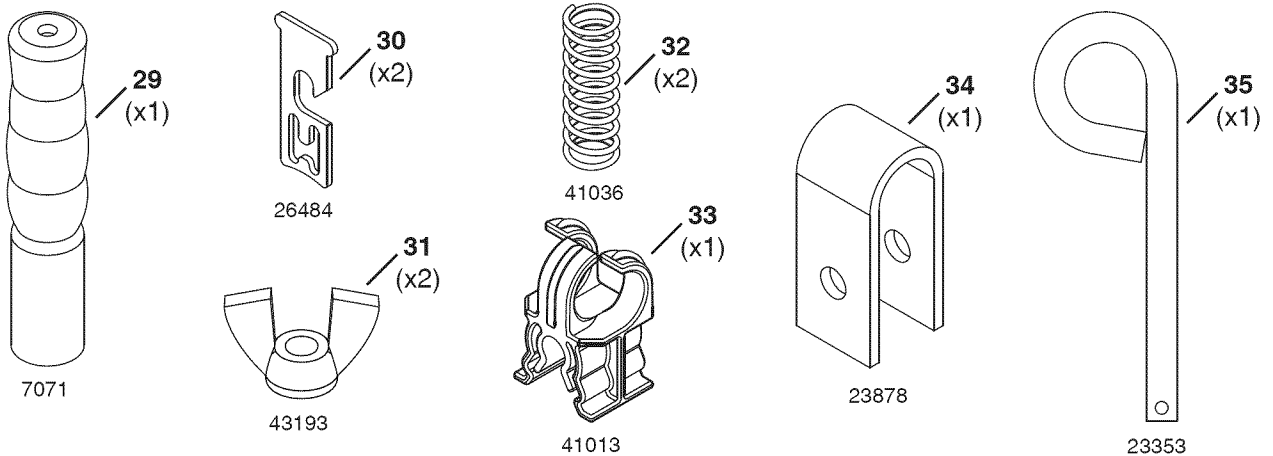


# HARDWARE PACKAGE

## SHOWN FULL SIZE



## NOT SHOWN FULL SIZE



# ASSEMBLY

## TOOLS REQUIRED FOR ASSEMBLY

- (2) 7/16" Wrenches
- (2) 1/2" Wrench
- (1) Pliers
- (1) Hammer

### STEP 1: (SEE FIGURE 1)

- Install a 1/4-20 x 1" hex bolt (39) and a 1/4" hex nut (25) in each bag arm channel and then place a 1/4" washer (43) onto the end of the bolt.

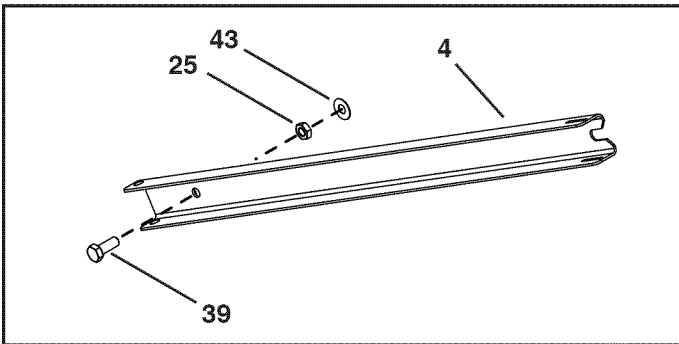


FIGURE 1

### STEP 3: (SEE FIGURE 3)

- Secure each bag arm channel to the side of the sweeper housing with a wing nut (31) and a washer (43) installed on the bolt assembled in step 1.
- Insert a pivot rod retainer (30) down into the end of each bag arm channel.
- Install a compression spring (32) into the bottom of each of the pivot rod retainers to secure them to the bag arm channels.

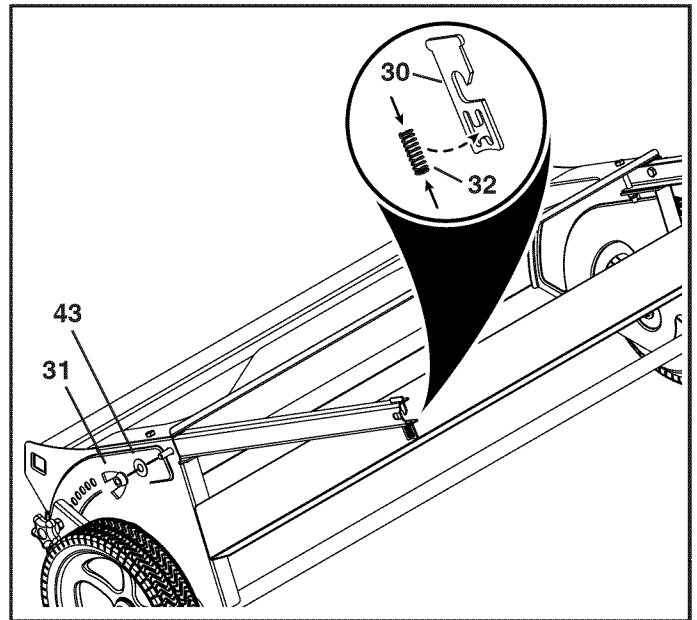


FIGURE 3

### STEP 2: (SEE FIGURE 2)

- Slide the bag arm channels (4) into the sweeper housing as shown in figure 2. Secure them to the sweeper housing with a 5/16-18 x 2-1/2" hex bolt (15) and 5/16" nylock nut (21). Tighten bolt until snug. **Do not overtighten.**

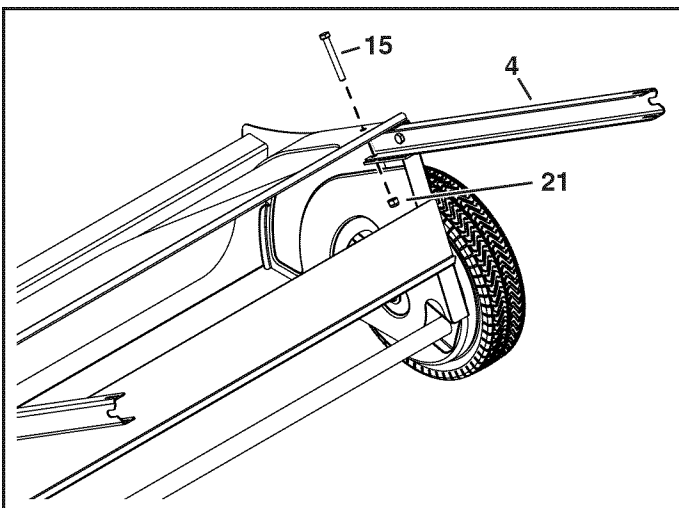


FIGURE 2

### STEP 4: (SEE FIGURE 4)

- Attach the drawbar (14) to the sweeper by fastening a drawbar bracket (8) above and below the drawbar using two washers (68), three 5/16" x 2-1/2" hex bolts (15) and 5/16" nylock nuts (21).

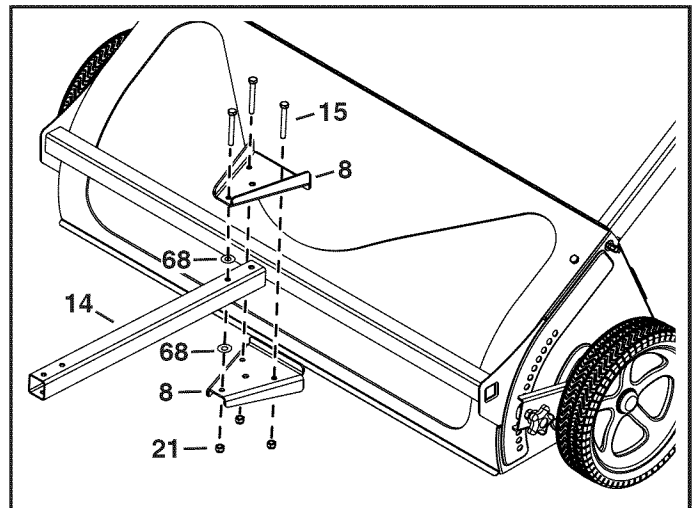
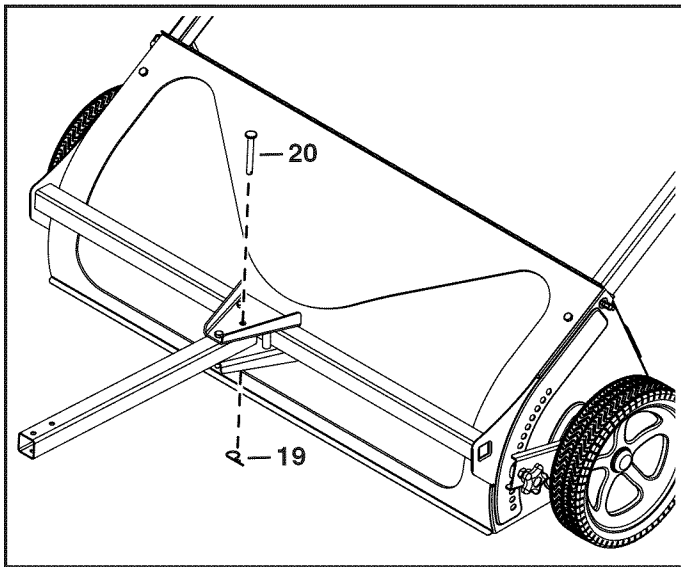


FIGURE 4

**STEP 5: (SEE FIGURE 5)**

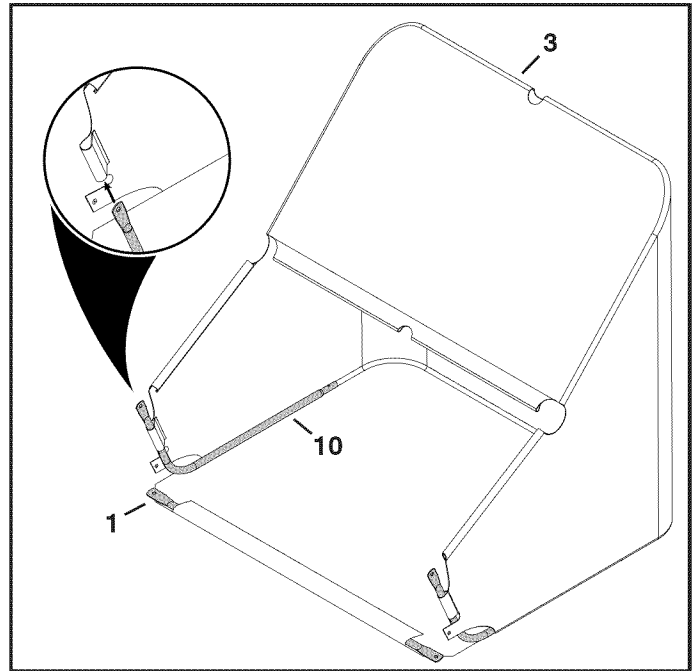
- Lock the drawbar into position by inserting a 3/8" x 3" pin (20) into the center hole and securing it with a small 3/32" hairpin cotter (19).



**FIGURE 5**

**STEP 7: (SEE FIGURE 7)**

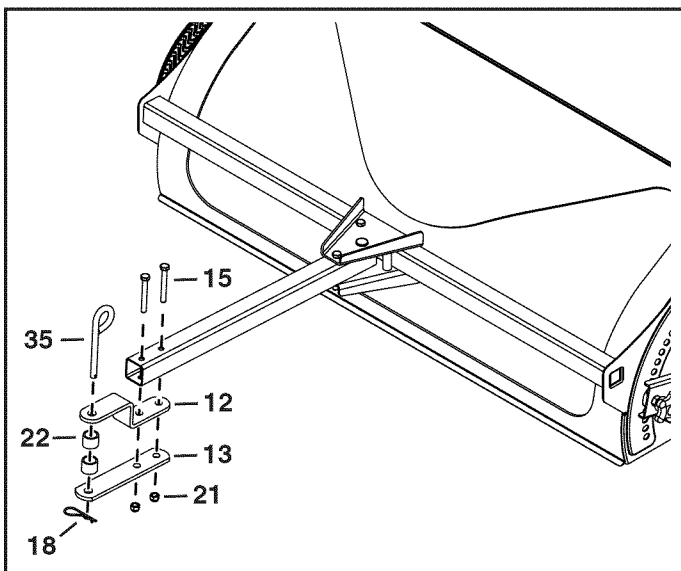
- Slide the bag frame tube (1) through the front flap in the bottom of the bag.
- Slide the two lower hopper tubes (10) into the flaps at the front of the hopper bag (3) as shown.



**FIGURE 7**

**STEP 6: (SEE FIGURE 6)**

- Attach the hitch bracket (12) and straight hitch bracket (13) to the drawbar using two 5/16" x 2-1/2" hex bolts (15) and 5/16" nylock nuts (21).
- Assemble the hitch pin (35) and two spacers (22) to the hitch brackets. Secure them in place with the large 3/32" hairpin cotter (18).

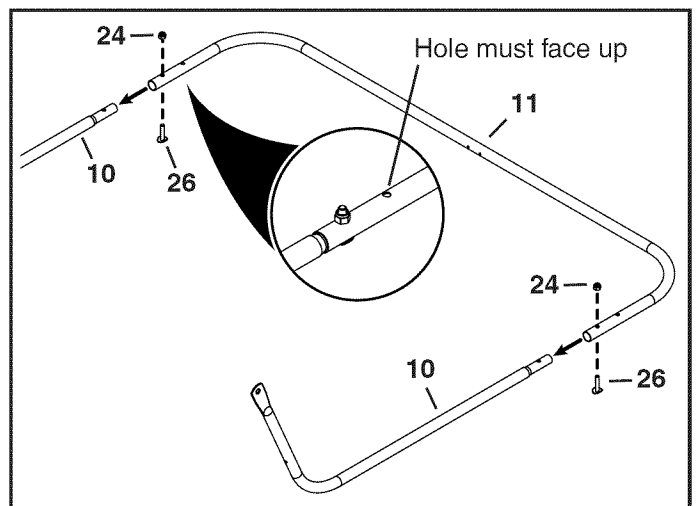


**FIGURE 6**

**STEP 8: (SEE FIGURE 8)**

- Install a rear hopper tube (11) onto the ends of the lower hopper tubes (10) making sure the holes in the rear hopper tube are facing up.
- Secure the rear hopper tube (11) to the lower hopper tubes (10) with two 1/4" x 1" curved head bolts (26) and 1/4" nylock nuts (24).

**NOTE:** Hopper bag (3) not shown for clarity.



**FIGURE 8**

**STEP 9: (SEE FIGURE 9)**

- Slide the front flaps of the hopper bag up onto the front of the lower hopper tubes. Secure the bag frame tube to the lower hopper tubes using two clevis pins (28) and small hairpin cotters (19).

**NOTE:** Be sure front flaps of hopper bag are positioned above clevis pins.

- Snap the sides of the bag to the bottom of the bag at the front corners .

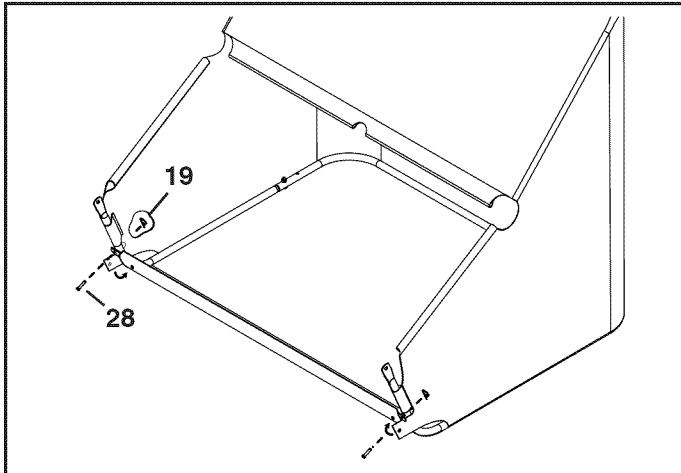


FIGURE 9

**STEP 10: (SEE FIGURE 10)**

- Place two washers (42) between the middle holes in a rear hopper tube (11). Install two cotter pins (27) into the holes, spreading the ends around the tube.
- Assemble the rear hopper tube (11) to the two upper hopper tubes (6) using two 1/4" x 1" curved head bolts (26) and 1/4" nylock nuts (24). The bolt heads should face up as shown in figure 10.

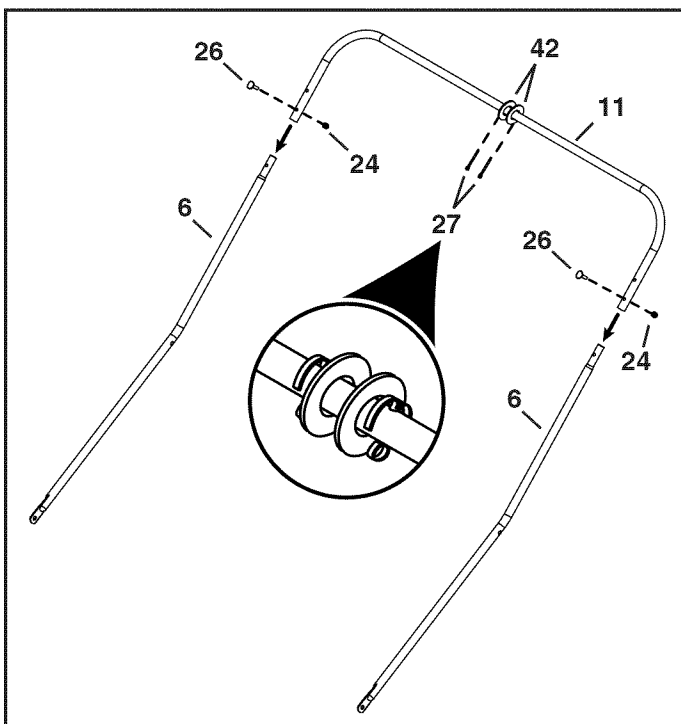


FIGURE 10

**STEP 11: (SEE FIGURE 11)**

- Slide the assembled tubes down through the flaps in the sides of the hopper bag (3) as shown.

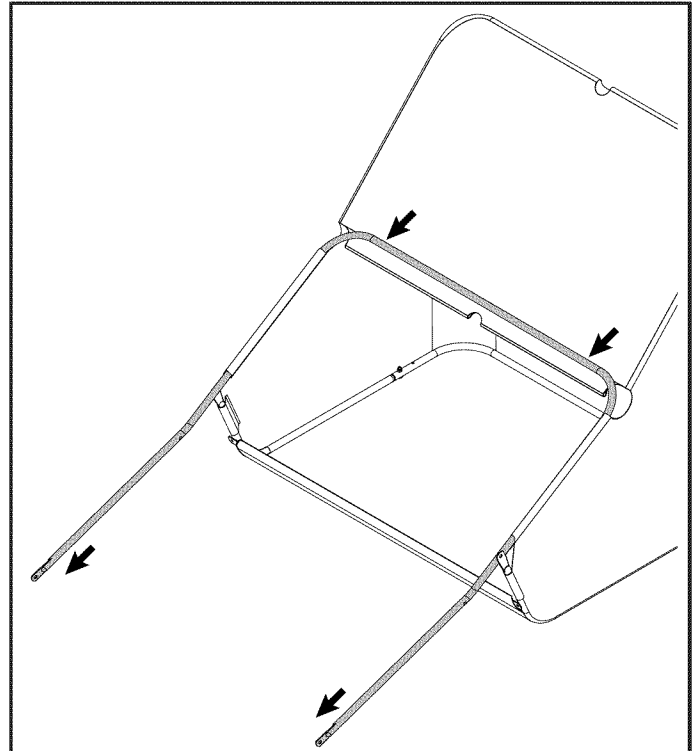


FIGURE 11

**STEP 12: (SEE FIGURE 12)**

- Slide the assembled tubes back up underneath the wind screen as shown.

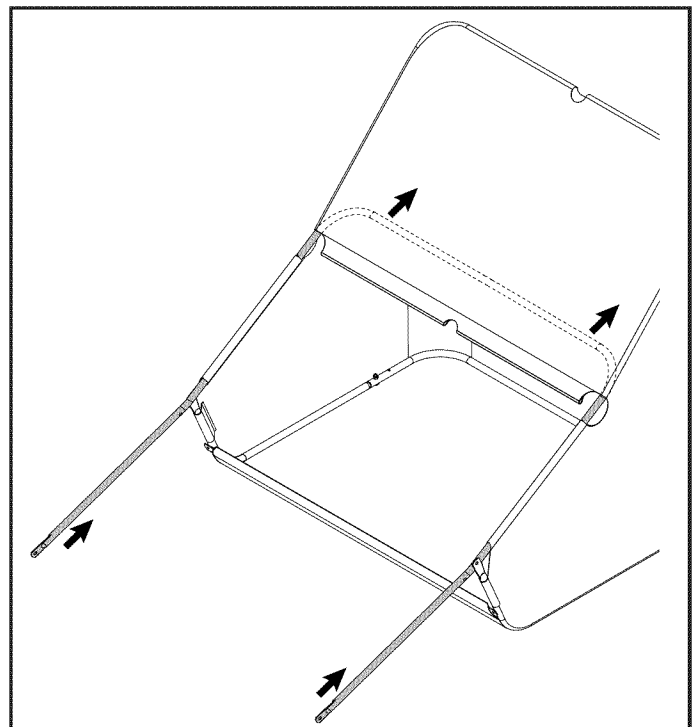


FIGURE 12

### STEP 13: (SEE FIGURE 13)

1. Secure the top and bottom hopper tubes together using two 5/16" x 3/4" hex bolts (17) on inside the hopper bag and two 5/16" nylock nuts (21) outside.

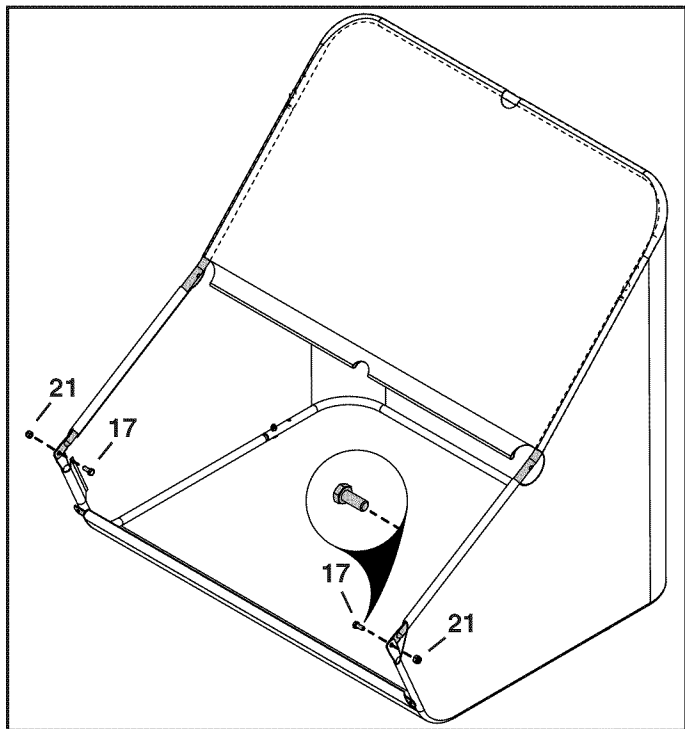


FIGURE 13

### STEP 14: (SEE FIGURE 14)

- Slide the dump handle clip (33) onto the dump handle.
- Attach the dump tube to the rear hopper tube using a U-clamp (34), a 1/4" x 1-1/2" hex bolt (16) and a 1/4" nylock nut (24). Install the U-clamp between the washers and cotter pins.
- Swivel the dump tube so that the end of the tube rests on the ground behind the bag and supports the rear of the bag in an upright position.

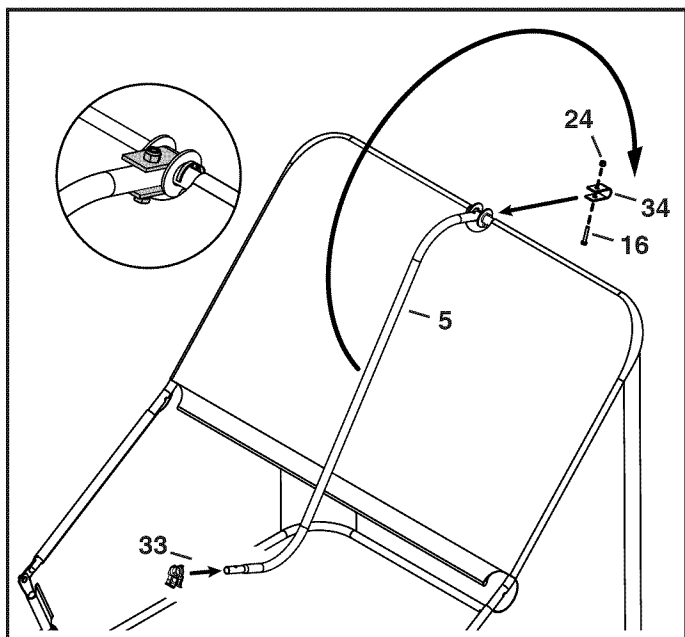


FIGURE 14

### STEP 15: (SEE FIGURE 15)

- Insert the hopper support rods (7) into the hole beneath the curved head bolt (26) in each upper hopper tube. Flex and insert the rod into the hole in the bottom rear hopper tubes as shown.

**NOTE:** The hopper support rods will flex about as much as shown in figure 15 when they are assembled.

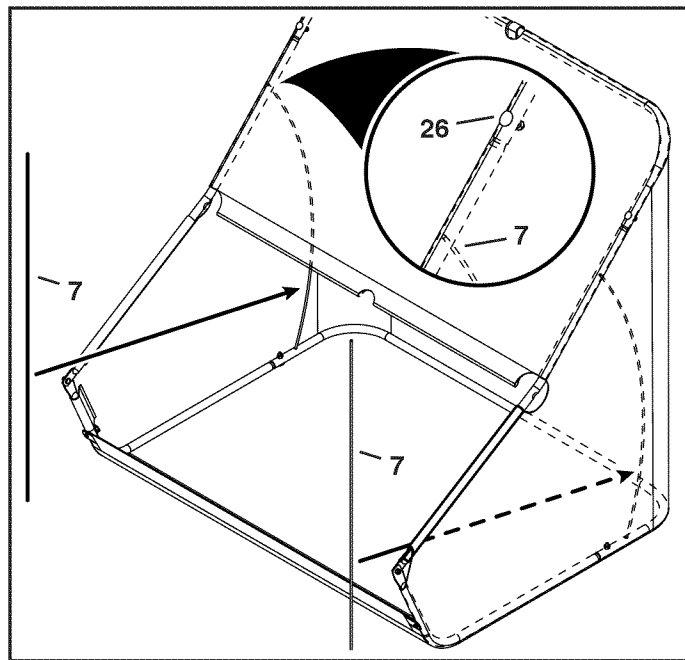


FIGURE 15

### STEP 16: (SEE FIGURE 16)

- Slide the pivot rod (2) through the flap in the bag's windscreen first and then through the hole in each upper hopper tube.
- Hammer a palnut (23) onto each end of the pivot rod.

**HINT:** Place the bag on its side on a hard surface to make installation of palnuts easier.

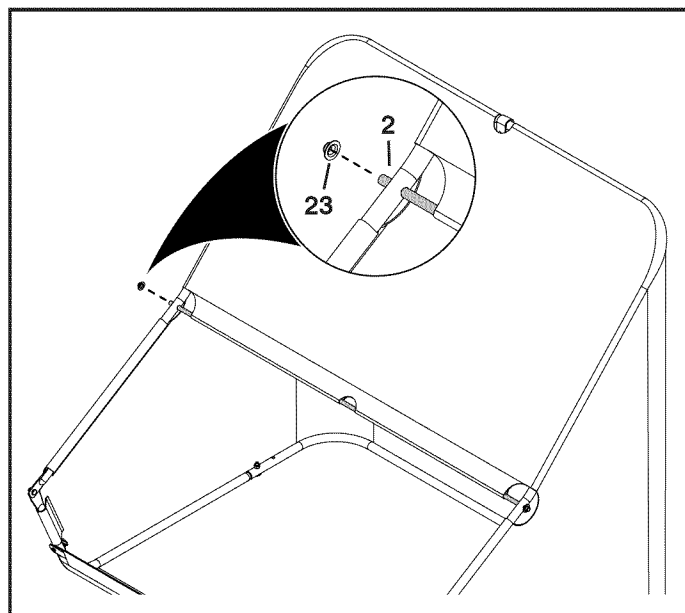
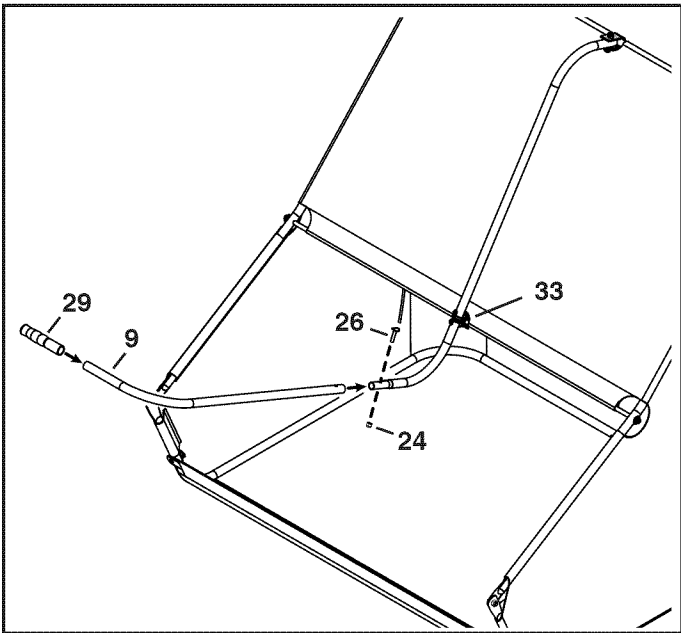


FIGURE 16



**STEP 17: (SEE FIGURE 17)**

- Slide the handle grip (29) onto the end of the handle tube (9).
- Assemble the handle tube (9) to the dump tube (5) and secure in place with a 1/4" x 1" curved head bolt (26) and 1/4" nylock nut (24).
- Snap the dump handle clip (33) onto the pivot rod.

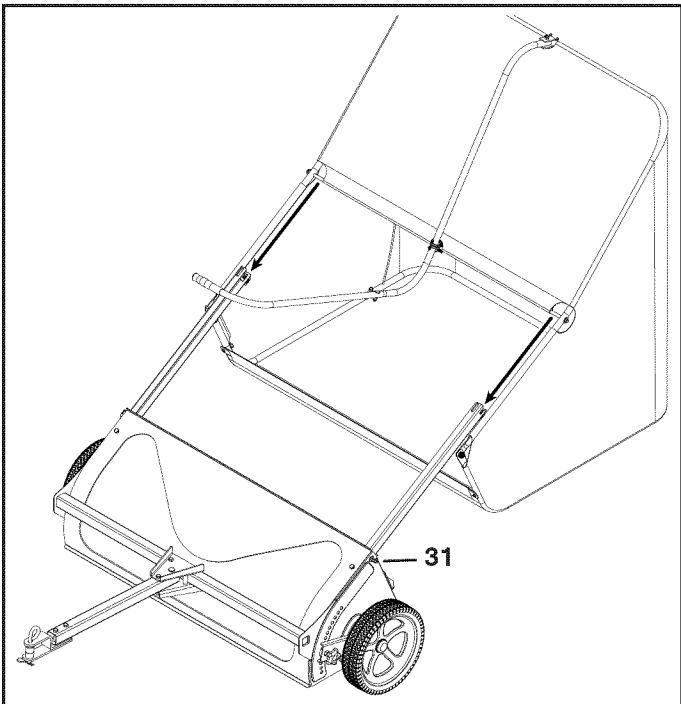


**FIGURE 17**

**STEP 18: (SEE FIGURE 18)**

- To attach the hopper bag to the sweeper, slide the pivot rod into the pivot rod retainers on the ends of the bag arm channels. The channels go on the inside of the bag tubes.

**HINT:** Temporarily loosen the wing nuts (31) if necessary to fit the channels inside the bag.

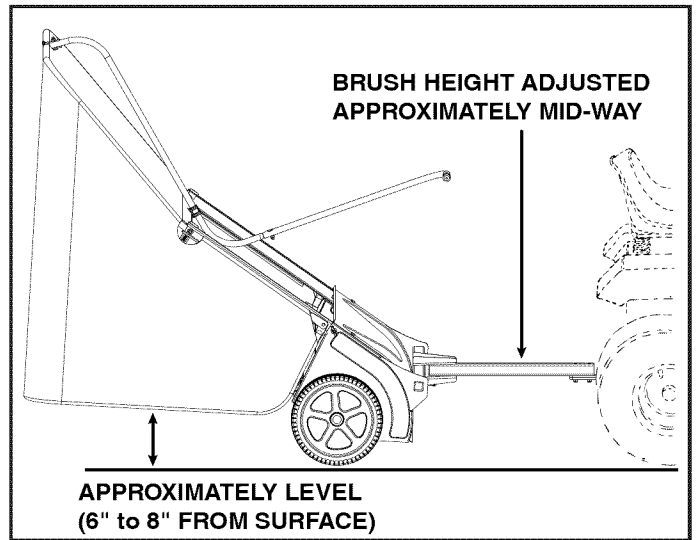


**FIGURE 18**

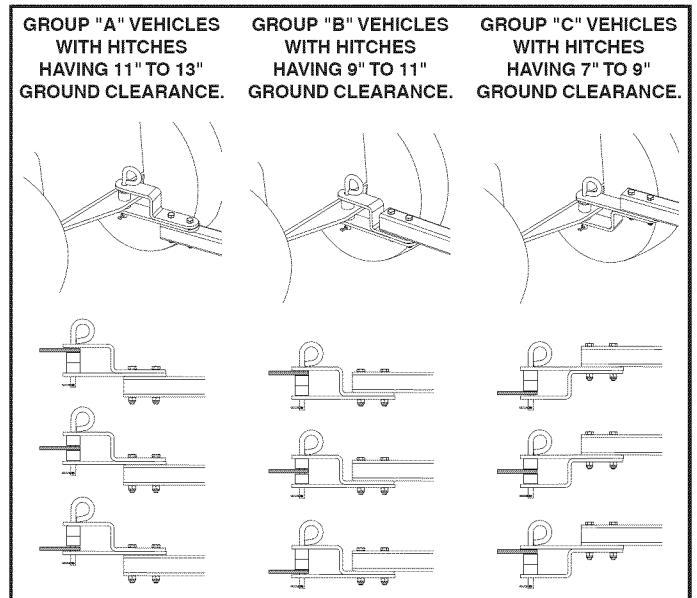
**ATTACHING SWEEPER HITCH TO TRACTOR**

1. Place the tractor and sweeper on a flat level surface.
2. Set the sweeper height adjustment handle to about the middle of its adjustment range.
3. Attach the sweeper hitch to the tractor hitch, making adjustments to the hitch brackets depending on the drawbar height of your tractor as shown in GROUP A, GROUP B and GROUP C diagrams in figure 20.
4. Arrange the spacers into one of the three possible combinations as shown below in the GROUP A, GROUP B and GROUP C diagrams in figure 20.

**IMPORTANT:** To obtain the best performance from your sweeper, arrange the spacers so that the sweeper bag is approximately level with the ground as shown in figure 19.



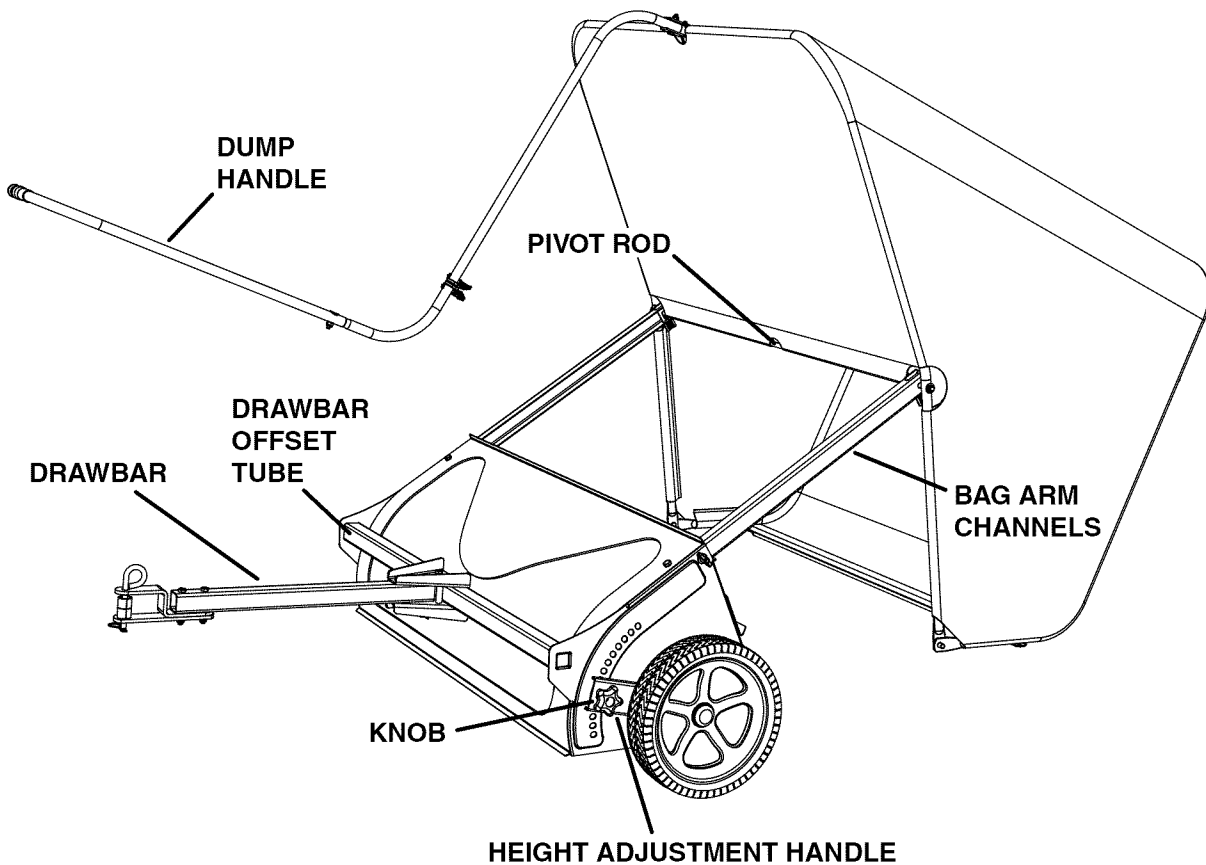
**FIGURE 19**



**FIGURE 20**

# OPERATION

(SWEEPER SHOWN IN DUMP POSITION)



## Dump Lever

## Bag Arm Channels

## Pivot Rod

## Height Adjustment Handle

## Knob

## Drawbar

## Drawbar Offset Tube

Permits dumping of the hopper bag from the driver's seat.

Connects the hopper bag to the sweeper housing.

Allows the hopper bag to tilt forward to dump material.

Adjusts the operating height of the sweeper.

Locks the height adjustment handle into a height adjustment hole.

Connects the sweeper to the towing vehicle. Adjusts for various height tractor hitches.

Allows the sweeper to be offset behind the tractor.

## HOW TO USE YOUR SWEEPER



**CAUTION: Maximum towing speed is 6 m.p.h.** Driving too fast may cause damage to wheels and bearings.

### BRUSH HEIGHT ADJUSTMENT

- To adjust sweeper brushes to best operating height, loosen adjustment knob and push down on height adjustment lever to raise the brush, or push up on the lever to lower the brush. See figure above. Best adjustment is when the brush setting is 1/2" down into the grass. Always mow the grass to an even height before sweeping.

### DRAWBAR OFFSET

The drawbar can be positioned at the center, or at the left hand or right hand end of the drawbar offset tube.

### SWEEPING SPEED

- Do not exceed 6 m.p.h.** Try a starting speed of approximately 3 m.p.h. (third gear on most tractors). Depending on conditions, it may be necessary to adjust the sweeping speed in order to achieve best results.

### DUMPING OF SWEEPER

- Your sweeper can be dumped without getting off of the rider or tractor. Unclip dump lever from pivot rod and pull forward to empty the hopper. Always empty hopper after each use.



**CAUTION:** Keep sweeper away from fire. Excessive heat can damage the brushes and hopper bag and could cause the bag and its contents to burn.

# MAINTENANCE

## CUSTOMER RESPONSIBILITIES

Read and follow the maintenance schedule and the procedures listed in the maintenance section.

MAINTENANCE SCHEDULE Fill in dates as you complete regular service.	Service Dates											
	Before each use	After each use	Twice a year	Every year	Before storage							
Check for loose fasteners	X											
Check for worn or damaged parts	X			X								
Lubricate brush shaft bearings			X									
Lubricate wheel bearings				X								
Clean Sweeper		X			X							
Clean, inspect and lubricate gears				X								

## SCHEDULED MAINTENANCE


- Clean the sweeper after each use.
- Inspect for worn or damaged parts, such as brushes and wheels.
- Every year, remove the wheels to clean and lubricate the gears, wheels and axles. After cleaning, lubricate the axles and the teeth on the gears and wheels with a light coat of grease. To remove a wheel, pop off the hub cap to expose the head of the bolt. Remove the nut and step spacer from the bolt and then remove the wheel along with the bolt and washers. When re-assembling, be sure the step spacer is properly seated in the hole in the sweeper housing. Refer to "Gear and Drive Pin Service" and figure 22 on page 12.

## CLEANING

- Clean the sweeper housing with a soft brush or cloth.
- Clean debris from the hopper bag with a brush or broom.
- Remove any material which has wrapped around the brushes or the ends of the brush shaft.

<b>Wheels skid when sweeping</b>	<ul style="list-style-type: none"> <li>• Brushes set too low.</li> <li>• Brushes are jammed.</li> <li>• Wheels are jammed.</li> </ul>	<ul style="list-style-type: none"> <li>• Adjust height till brushes are 1/2" down into grass.</li> <li>• Stop sweeper. Remove obstruction.</li> <li>• Remove one wheel at a time to check for obstruction or damage. Refer to Service and Adjustments section.</li> </ul>
----------------------------------	---	---

## STORAGE



**CAUTION:** Before storing the sweeper, always empty hopper bag to avoid spontaneous combustion.

- Clean the sweeper and hopper bag thoroughly to help prevent rust and mildew.
- To collapse the hopper bag for storage, remove the two hopper support rods from the rear of the hopper.

- Remove the pin (20) from the center hole, fold the draw bar and then replace the pin (20). Refer to figure 5 on page 6.
- Remove the wing nuts (31) from the bag arm channel. Fold the bag arm channels into the sweeper housing and replace the wing nuts (31). Refer to figure 3 on page 5.
- Store in a dry area.

# SERVICE AND ADJUSTMENTS

## BRUSH REPLACEMENT

**NOTE:** Replace brushes one brush at a time.

1. Remove the hopper bag from the sweeper.
2. Loosen hex bolts and lock nuts on two single brush retainers which clamp one brush to the double brush retainers. **DO NOT** loosen or remove bolts which fasten double brush retainers to brush shaft.
3. Slide the brush out of the retainers, noting on which side of the brush the bristles overlap.
4. Install new brush, making sure the bristles overlap on the same side of the brush as before.

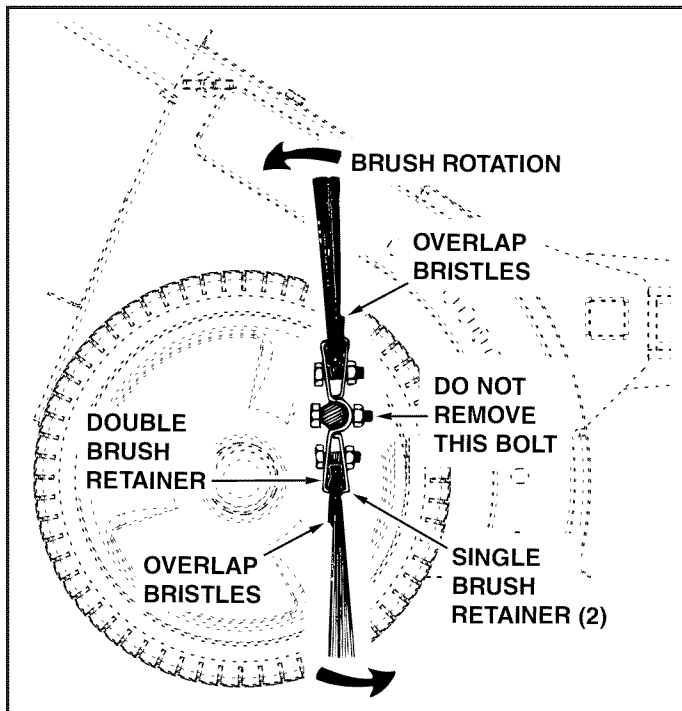


FIGURE 21

## GEAR AND DRIVE PIN SERVICE

**IMPORTANT: Do Not** remove both wheels at the same time to avoid mixing of parts. (The pinion gears are not interchangeable. The ratchet end of the gears is marked "R" or "L".) Make notes on the position of all parts before removing them.

- Remove the hub cap to expose the head of the bolt.
- Remove the bolt, washer, nut and step spacer.
- Remove the wheel and washer from the axle.
- To remove the larger 27 tooth gear, remove the retaining ring and then remove the gear and washers.
- To remove the smaller pinion gear, remove the retaining ring and then remove the gear, the drive pin (located in the brush shaft), the washers and the spacer. See figure 22.
- Clean all parts and replace worn parts.
- Lightly grease the shafts and the axle.
- Lightly grease the drive pin and the ratchet teeth inside the pinion gear. Reassemble the drive pin, pinion gear, the 27 tooth gear and the washers onto the shafts. Lightly grease the teeth of both gears.
- Lightly grease the gear teeth on the wheel and then reassemble the wheel, bolt and washers. Assemble the step spacer and nut onto the bolt, fitting the small end of the spacer into the sweeper housing. Tighten the nut securely.
- Repeat on the other end of the sweeper.
- Check that the brushes rotate only during forward motion of the sweeper. If the brushes are driven in both forward and reverse, the drive pin is jamming. If the brushes are driven only in reverse, the pinion gears have been switched.

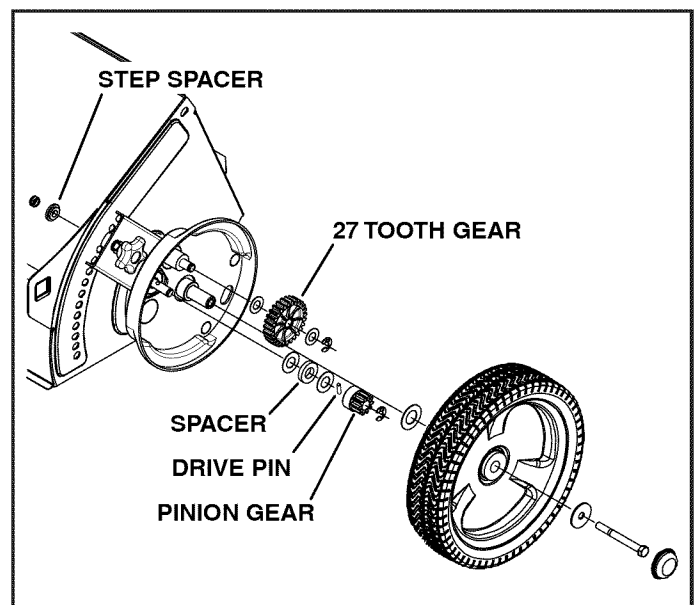


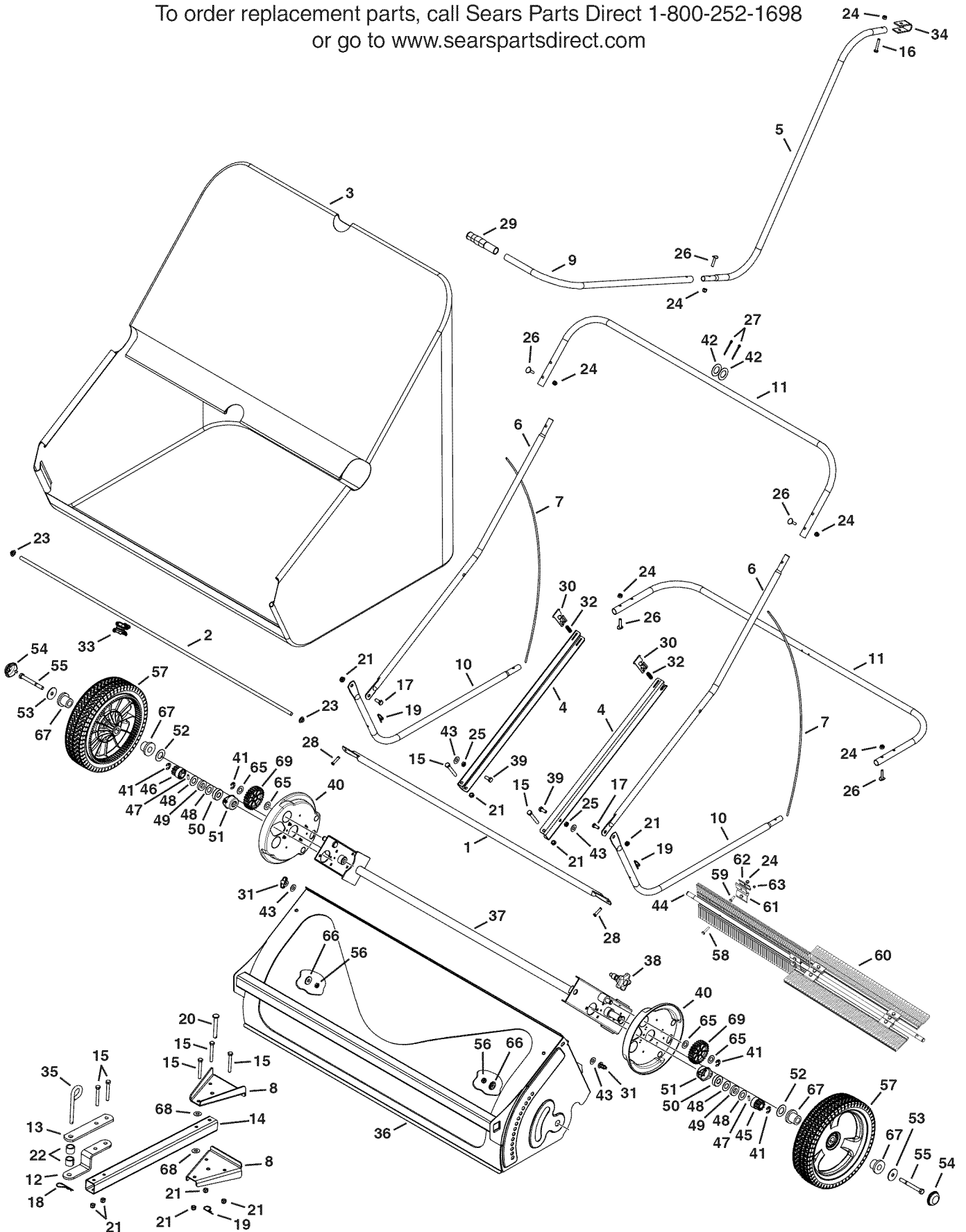
FIGURE 22

# NOTES

# REPAIR PARTS

## 486.24029 44" HIGH SPEED SWEEPER

To order replacement parts, call Sears Parts Direct 1-800-252-1698  
or go to [www.searspartsdirect.com](http://www.searspartsdirect.com)



## REPAIR PARTS

### 486.24029 44" HIGH SPEED SWEEPER

To order replacement parts, call Sears Parts Direct 1-800-252-1698 or go to [www.searspartsdirect.com](http://www.searspartsdirect.com)

REF	QTY	PART NO	DESCRIPTION	REF	QTY	PART NO	DESCRIPTION
1	1	42020	Bag Frame Tube	36	1	67193	Sweeper Housing
2	1	41041	Pivot Rod	37	1	67333	Height Adjustment Tube
3	1	40890	Hopper Bag	38	1	40891	Height Adjustment Knob
4	2	26414	Bag Arm Channel	39	2	43661	Hex Bolt, 1/4-20 x 1"
5	1	40989	Dump Tube	40	2	41570	Dust Cover
6	2	40892	Upper Hopper Tube	41	4	1650-1	Retaining Ring (E Type)
7	2	43938	Hopper Support Rod	42	2	1540-107	Washer, .78" x 1.25" x .031"
8	2	27115	Drawbar Bracket	43	4	43088	Washer, .312" x .875" x .065"
9	1	40894	Handle Tube	44	1	27257	44" Brush Shaft
10	2	40897	Lower Hopper Tube	45	2	48651	Gear, Pinion L.H.
11	2	40893	Rear Hopper Tube	46	2	48652	Gear, Pinion R.H.
12	1	23014	Hitch Bracket	47	2	47046	Dowel Pin, 1/4 x 3/4"
13	1	24192	Straight Hitch Bracket	48	4	R19212016	Washer, .656" x 1.25" x .059"
14	1	26413	Drawbar	49	2	23520	Spacer, .660" x 1.250" x .250"
15	7	44292	Hex Bolt, 5/16-18 x 2-1/2"	50	2	44232	Ball Bearing
16	1	43648	Hex Bolt, 1/4-20 x 1-1/2"	51	2	41437	Retainer, Bearing (Plastic)
17	2	43182	Hex Bolt, 5/16-18 x 3/4"	52	2	44008	Washer, .78" x 1.125" x .025"
18	1	43343	Hair Cotter Pin, 3/32" x 2-5/16"	53	2	141	Washer, .378" x 1.25" x .061"
19	3	43055	Hair Pin, 3/32" x 1.8"	54	2	41017	Hub Cap
20	1	47623	Hitch Pin, 3/8" x 3"	55	2	43932	Hex Bolt, 3/8-24 x 3-1/2"
21	9	47810	Nylock Nut, 5/16-18	56	2	1038	Nylock Jam Nut, 3/8-24
22	2	23368	Spacer, .76" x 1" x .76"	57	2	41948	Wheel
23	2	44917	Palnut, 3/8"	58	4	49954	Socket Screw, #10-32 x 1"
24	14	47189	Nylock Nut, 1/4"	59	8	43012	Hex Bolt, 1/4-20 x 3/4"
25	2	43178	Hex Nut, 1/4-20	60	4	46780	42" Sweeper Brush
26	5	43978	Curved Head Bolt, 1/4-20 x 1"	61	4	23580	Brush Retainer (Double)
27	2	43093	Cotter Pin, 1/8" x 1-1/2"	62	8	23581	Brush Retainer (Single)
28	2	48365	Clevis Pin, 1/4" x 1.11"	63	4	47171	Nylock Nut, #10-32
29	1	7071	Handle Grip 3/4"	64	4	C-9M5732	Pop Rivet
30	2	26484	Rod Retainer	65	4	44137	Washer, .518" x 1" x .02"
31	2	43193	Wing Nut, 1/4"	66	2	26538	Step Spacer, .41" x .75"
32	2	41036	Compression Spring	67	4	45088	Wheel Bearing
33	1	41013	Dump Handle Clip	68	2	47605	Washer, 411" x 1" x .03"
34	1	23878	U-Clamp	69	2	41434	Gear, 27 Tooth
35	1	23353	Hitch Pin, 3/8" x 3"		1	41949	Owners Manual

To order replacement parts, call Sears Parts Direct 1-800-252-1698  
or go to [www.searspartsdirect.com](http://www.searspartsdirect.com)