

Use & Care Guide  
Guide de L'utilisation et d'entretien  
ENGLISH / FRANÇAIS



Model/Modelos: 587.1468\*

# Kenmore Elite<sup>®</sup>

## Dishwasher

## Lave-vaisselle

\* = color number, numéro de couleur

P/N 675000801465

Sears Brands Management Corporation,  
Hoffman Estates,  
IL 60179 U.S.A.

[www.kenmore.com](http://www.kenmore.com)  
[www.sears.com](http://www.sears.com)



## Table of Contents

Kenmore Limited Warranty .....	2	Dishwasher Dispenser and Detergents .....	10-11
IMPORTANT SAFETY INSTRUCTIONS .....	3	Care & Cleaning .....	12
Before Using Your Dishwasher .....	4	Before You Call - Solutions to common problems .....	13-14
Dishwasher Features .....	5	Protection Agreements .....	15
Operating Instructions .....	6-7	Sears Service .....	Back Cover
Preparing and Loading Dishes .....	8-9		

## Kenmore Limited Warranty

When this appliance is installed, operated and maintained according to all supplied instructions, the following warranty coverage applies. To arrange for warranty service, Call 1-800-4-MY-HOME® (1-800-469-4663). For two years from the date of purchase, any part of the dishwasher that fails due to defective materials or workmanship will be replaced free of charge. After the first year from purchase date, the customer assumes any labor costs associated with replacement of these parts. For five Years from the date of purchase, any part of the upper or lower dish racks that rusts due to defective materials or workmanship will be replaced free of charge. After the first year from purchase date, the customer assumes any labor costs associated with dish rack replacement. If a leak ever occurs as a result of rust-through of the stainless steel tub or inner door panel, the tub or panel will be replaced free of charge. This warranty applies for only 90 days from the date of purchase if this appliance is ever used for other than private family purposes.

### **This warranty covers only defects in material and workmanship. Sears will NOT pay for:**

1. Expendable items that can wear out from normal use, including but not limited to filters, belts, light bulbs, and bags.
2. A service technician to instruct the user in correct product installation, operation or maintenance.
3. A service technician to clean or maintain this product.
4. Damage to or failure of this product if it is not installed, operated or maintained according to all instructions supplied with the product.
5. Damage to or failure of this product resulting from accident, abuse, misuse or use for other than its intended purpose.
6. Damage to or failure of this product caused by the use of detergents, cleaners, chemicals or utensils other than those recommended in all instructions supplied with the product.
7. Damage to or failure of parts or systems resulting from unauthorized modifications made to this product.

### **Disclaimer of implied warranties; limitation of remedies**

Customer's sole and exclusive remedy under this limited warranty shall be product repair as provided herein. Implied warranties, including warranties of merchantability or fitness for a particular purpose, are limited to one year or the shortest period allowed by law. Sears shall not be liable for incidental or consequential damages. Some states and provinces do not allow the exclusion or limitation of incidental or consequential damages, or limitation on the duration of implied warranties of merchantability or fitness, so these exclusions or limitations may not apply to you.

This warranty applies only while this appliance is used in the United States or Canada.

This warranty gives you specific legal rights, and you may also have other rights which vary from state to state.


**Sears Brand Management Corporation, Hoffman Estates, IL 60179 USA**

**Sears Canada Inc., Toronto, Ontario, Canada M5B 2B8**

## Read all instructions before using this appliance.


This manual contains important safety symbols and instructions. Please pay attention to these symbols and follow all instructions given.


### **Definitions**

 This is the safety alert symbol. It is used to alert you to potential personal injury hazards. Obey all safety messages that follow this symbol to avoid possible injury or death.

Do not attempt to install or operate your appliance until you have read the safety precautions in this manual.

Safety items throughout this manual are labeled with a **WARNING** or **CAUTION** statement based on the risk type.

 **WARNING** - indicates a potentially hazardous situation which, if not avoided, may result in death or serious injury.

 **CAUTION** - indicates a potentially hazardous situation which, if not avoided, may result in minor or moderate injury.

All rights reserved. Printed in the USA.

## Important Safety Instructions

### **⚠ WARNING**

When using the dishwasher, follow basic precautions, including the following:

- Read all instructions before using the dishwasher.
- Use your dishwasher only as instructed in this Use and Care Guide.
- Use only detergents or rinse agents recommended for use in a dishwasher, and keep them out of reach of children.
- When loading items to be washed:
  - Locate sharp items and knives so that they are not likely to damage the door seal or tub.
  - Load sharp items and knives with the handles up to reduce the risk of cut-type injuries.
- Do not wash plastic items unless marked "dishwasher safe" or the equivalent. Check with manufacturer for recommendations, if not marked. Items that are not dishwasher safe may melt and create a potential fire hazard.
- Do not touch the heating element during or immediately after use.
- Do not operate your dishwasher unless all enclosure panels are properly in place.
- If the dishwasher drains into a food disposer, make sure disposer is completely empty before running dishwasher.
- Disconnect electrical power to dishwasher before servicing.
- Do not tamper with controls.
- Do not let children abuse, sit, stand or play on door or racks of a dishwasher.
- Keep young children and infants away from dishwasher when it is operating.
- Under certain conditions, hydrogen gas may be produced in a hot water system that has not been used for two weeks or more. **HYDROGEN GAS IS EXPLOSIVE.** If the hot water system has not been used for such a period, before using the dishwasher turn on all hot water faucets and let the water flow from each for several minutes. This will release any accumulated hydrogen gas. As the gas is flammable, do not smoke or use an open flame during this time.
- Remove the door to the washing compartment when removing an old dishwasher from service or discarding it.

## Before Using Your Dishwasher

### **⚠ WARNING**



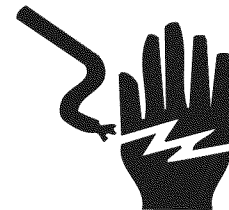
#### **Tip Over Hazard**

**Do not use dishwasher until completely installed.**

**Do not push down on open door.**

**Doing so can result in serious injury or cuts.**

### **⚠ WARNING**



#### **Electrical Shock Hazard**

**Electrically ground dishwasher.**

**Connect ground wire to green ground nut in terminal box.**

**Do not use an extension cord.**

**Failure to do so can result in death, fire, or electrical shock.**

### **GROUNDING INSTRUCTIONS**

#### **• For a grounded, cord-connected dishwasher:**

The dishwasher must be grounded. In the event of a malfunction or breakdown, grounding will reduce the risk of electric shock by providing a path of least resistance for electric current. The dishwasher is equipped with a cord having an plug. The plug must be plugged into an appropriate outlet that is installed and grounded in accordance with all local codes and ordinances.

**⚠ WARNING :** Improper connection of the equipment-grounding conductor can result in a risk of electric shock. Check with a qualified electrician or service representative if you are in doubt whether the dishwasher is properly grounded. Do not modify the plug provided with the dishwasher. If it will not fit the outlet, have a proper outlet installed by a qualified electrician.

#### **• For a permanently connected dishwasher:**

The dishwasher must be connected to a grounded metal, permanent wiring system, or a equipment-grounding conductor must be run with the circuit conductors and connected to the equipment-grounding terminal or lead on the dishwasher.

**Save these instructions for future reference.**

---

## Product Record

In this space below, record the date of purchase, model and serial number of your product. You will find the model and serial number printed on an identification plate. See **Dishwasher Features below** for serial label location.

Model No. 587.

Serial No. \_\_\_\_\_

Date of Purchase \_\_\_\_\_

Save sales receipt for future reference.

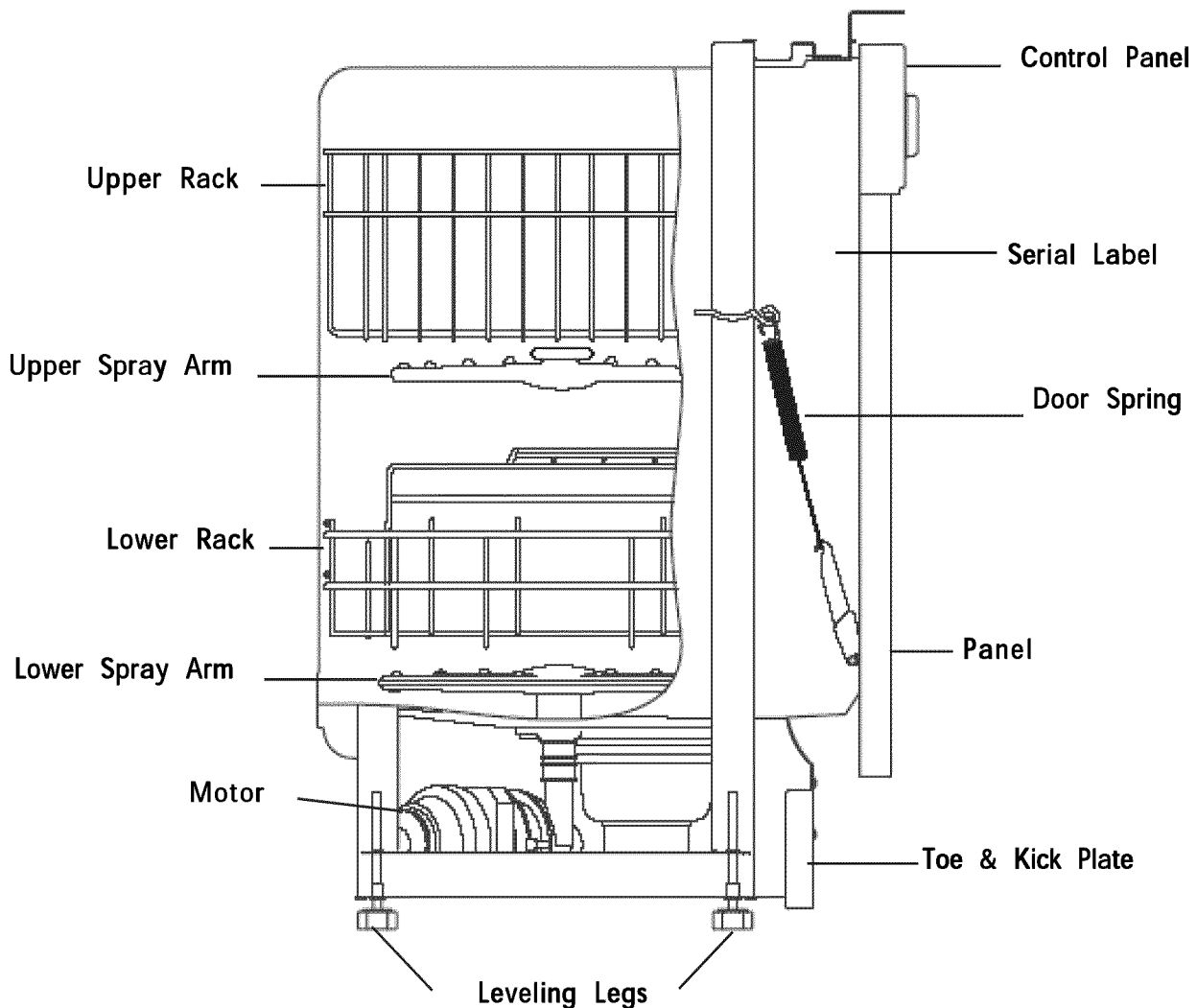
---

## Dishwasher Features

### How Your Dishwasher Cleans

Your dishwasher illustrated below, cleans by spraying a mixture of hot, clean water, and detergent against the soiled surfaces of your dishes and tableware.

Each cycle starts with a pre-drain. Next, the dishwasher fills with water to a level even with the heating element. This water is constantly pumped through the rotating spray arm and sprayed on the dishes. Soiled water is pumped out and replaced with clean water during a cycle. The number of water fills depends upon the cycle being used.



Appearance may vary from your model.

# Operating Instructions



Appearance may vary from your model.

Cycle Chart					
* Includes dry time.					
Cycle	Description	To Select Cycle	Water (approx.)	Time* (approx.)	Washes/Rinses
<b>Pots &amp; Pans</b>	For heavily soiled dishes and silverware.	<ul style="list-style-type: none"> <li>• Select POTS &amp; PANS.</li> <li>• Select desired OPTIONS.</li> </ul>	4.41 gal. 16.7 liters	125 mins.	2 washes 5 rinses
<b>Normal Wash</b>	For regularly soiled dishes and silverware.	<ul style="list-style-type: none"> <li>• Select NORMAL WASH.</li> <li>• Select desired options.</li> </ul>	3.5 gal. 13.4 liters	95 mins.	2 washes 4 rinses
<b>Fast Wash</b>	For lightly soiled and pre-rinsed dishes and silverware.	<ul style="list-style-type: none"> <li>• Select FAST WASH.</li> <li>• Select desired options.</li> </ul>	2.7 gal. 10.2 liters	65 mins.	2 washes 2 rinses
<b>Eco</b>	For lightly soiled or pre-rinsed dishes and silverware.	<ul style="list-style-type: none"> <li>• Select ECO.</li> <li>• Select desired options.</li> </ul>	3.5 gal. 12.0 liters	85 mins.	2 washes 3 rinses
<b>Quick Rinse</b>	For rinsing dishes that will be washed later.	<ul style="list-style-type: none"> <li>• Select QUICK RINSE.</li> <li>DO NOT USE detergent.</li> </ul>	1.8 gal. 6.8 liters	25 mins.	1 rinse

**Note:** Cycle times are approximate and will vary with options selected. Not all cycles available on all models.

## Getting Started

1. Check Filter (See Cleaning Filter).
2. Load dishwasher (See Preparing and Loading Dishes).
3. Add detergent (See Dishwasher Dispenser & Detergents).
4. Add rinse aid, if needed (See Rinse Aid).
5. Select wash cycle (See Cycle Chart).
6. Select desired OPTIONS.
7. See Page 12 for instructions on connecting the portable dishwasher.
8. Run hot water faucet nearest dishwasher until water is hot. Turn water off.
9. To Start, close door to latch.

## Blue Light Indicator

When the BLUE LIGHT luminates on the floor this indicates that the wash cycle is complete

# Operating Instructions

## Dish Preparation

It is not necessary to rinse dishes before putting them into the dishwasher. Just remove large pieces and quantities of food, bones, pits, etc. Empty glasses and cups. It may be necessary to presoak or lightly scour firmly cooked-on or baked-on foods.

Food such as mustard, mayonnaise, vinegar, lemon juice and tomato-based products may cause discoloration of stainless steel and plastics if allowed to sit for a long period of time. Unless the dishwasher is to be operated at once, it is best to rinse off these food soils.

- Load dishes facing the center of the rack so that the water spray from the rotating spray arm can reach soiled surfaces.
- Be sure large items do not block the detergent dispenser, preventing it from opening during the wash cycle.
- To be sure an item is dishwasher safe, read the manufacturer's care instructions.
- If the dishwasher drains into a food disposer, **be sure disposer is completely empty before dishwasher is started.**
- To save energy, wash full loads.
- For best washing results, load correctly and avoid overloading.



## Delay Start

The DELAY START option allows you to automatically delay starting your dishwasher from 2 - 4 - 6 hours.

Make cycle selections, press the DELAY START key until the desired delay LED is lit, then close the door and the delay time will start.

To cancel the delay and start the cycle before the delay period is over, open the door and press the START/CANCEL key. Close the door and the cycle will start.

## Hi-Temp Wash Option

When HI-TEMP WASH ON option is selected, the dishwasher heats the water in the main wash to approximately 140°F (60°C).

This increase in water temperature helps dishwasher detergent remove food grease and soil from dishes more effectively and aids in drying. HI-TEMP WASH option can be used with all cycles except CHINA CRYSTAL and RINSE ONLY. HI-TEMP WASH is automatically provided when HEAVY WASH cycle is selected.

To turn off the HI-TEMP WASH option, press the pad a second time.

## Air Dry Option

The unit defaults to heated dry when it is started with any cycle selected. This drying uses a combination of the heated dry with rinse aid that achieves enhanced drying performance. If you prefer to only have AIR DRY for dishes, you will select AIR DRY and the unit will not energize the heating element. This will reduce energy consumption, but reduce drying performance.

## Sanitize Option

To sanitize your dishes and glassware, select the SANITIZE option. The SANITIZE LED light will turn blue. This option heats the water temperature in the final rinse to 157°F (69.4°C) and maintains that temperature for 7 minutes. SANITIZE is available in Pots & Pans, and Normal cycles. Only these sanitization cycles have been designed to meet NSF requirements.

The cycle time will be extended until the proper water temperature is reached. Washing action will continue during the water heating delay. For best results, the incoming water temperature should be at least 120°F (49°C).

If the SANITIZE option was selected, SANITIZED will be displayed at the end of the cycle. SANITIZED will not display at the end of the cycle if the NSF requirements for sanitization are not reached. The sanitization criteria may not be satisfied if there is an interruption of the cycle, a power failure occurs, or if the incoming water temperature is below 120°F (49°C).

To turn off the SANITIZE option, press SANITIZE button again and the LED light will turn off indicating it is not selected for the cycle.

# Preparing and Loading Dishes

## Loading the Top Rack

**Glasses and cups**—Place glasses and cups against outside pins at an angle. Cups with a concave bottom will collect water.

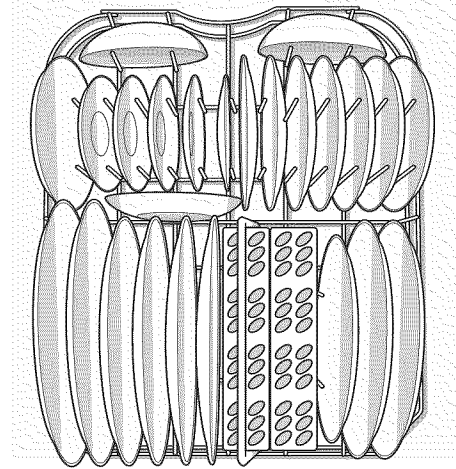
**Small plates and saucers**—Place dishes between middle two rows of pins.

**Plasticware**—Load plasticware in the top rack to avoid melting.

**Bowls**—Place bowls between the middle 2 rows of pins facing down.

**Miscellaneous items**—Place long handled knives and utensils in top rack.

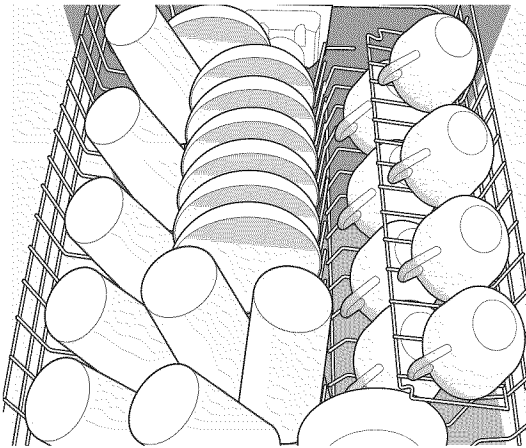
**Cup Shelf**—The cup shelf can be folded down over short items (juice glasses, cups, etc.) for more loading space. When using cup shelf, alternate items with layer below so that water can reach all inside surfaces.



## Loading the Silverware Basket

**Load sharp items with handles up.** Be sure items do not protrude through the holes in the basket and stop the rotation of the spray arm.

Load silverware so items are mixed in each section to prevent nesting. Water spray cannot effectively reach nested items.

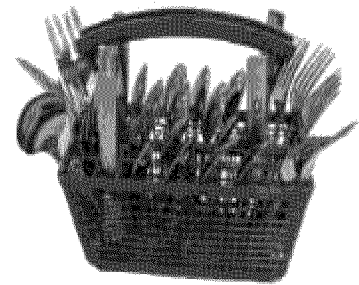
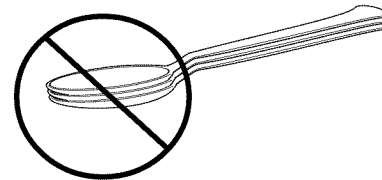


## Loading the Bottom Rack

**Large plates and platters**—Place between the support pins with soiled sides facing inward.

**Bowls, casseroles and sauce pans**— Load upside down or at an angle facing inward. Slightly tilting items will provide better drainage.

**Pots and pans**—Place upside down and at an angle. Do not allow handles to protrude through bottom of rack, blocking wash arm rotation. Load large items at the sides and not across the front so they do not block the detergent dispenser preventing it from opening.



## ADDING A DISH

1. Make sure there is a full wash cycle yet to be completed so that any added items are thoroughly washed and rinsed.
2. Unlatch door and wait for water action to stop.
3. Open door and add dish.
4. Firmly close door to latch and resume cycle.

# Dishwasher Dispenser & Detergents

## Filling the Detergent Dispenser

The detergent dispenser has one main wash cup and one prewash cup. The covered cup opens automatically to release detergent.

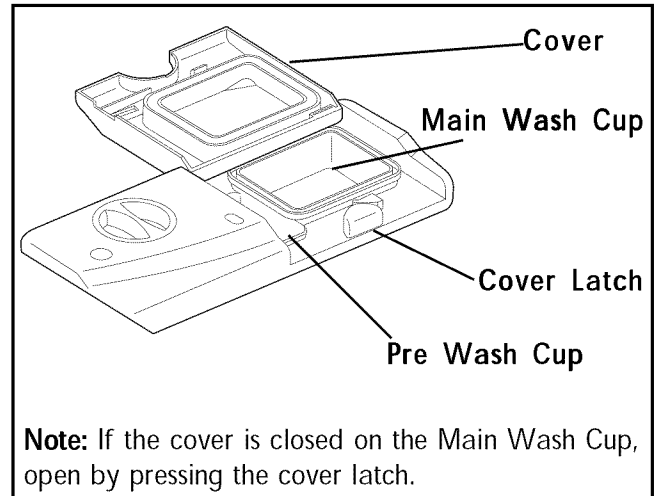
- Use only fresh automatic dishwashing detergent. Other detergents will cause oversudsing.
- When using automatic dishwashing detergent tabs, place one tab in main wash cup and close.
- Add detergent just before starting cycle.
- Store detergent in a cool, dry location. Moist or caked detergent will not dissolve properly.

**⚠ CAUTION**

The use of industrial grade detergent can damage the heating coil and other parts of the dishwasher leading to damage to the unit and surrounding property. Use only household grade automatic dishwasher detergents.

## How much Detergent to use

The amount of detergent to use depends on the water hardness. Water hardness is measured in grains per gallon. Using too little detergent can result in poor cleaning and hard water filming or spotting. Using too much detergent in soft water can cause a permanent film called etching. Your local water company, water softener company or county extension agent can tell you the water hardness in your area.



<b>Detergent Usage Guide</b>				
<b>Cycle</b>	<b>Soft Water</b> (0-3 grains)	<b>Medium Hard Water</b> (4-8 grains)	<b>Hard Water</b> (9-12 grains)	<b>Very Hard Water*</b> (over 12 grains)
<b>Pots &amp; Pans</b> or <b>Normal Wash</b>	<b>1.5 teaspoons</b> (each cup— 1/4 full)	<b>4 teaspoons</b> (each cup—fill to line above "Regular")	<b>6 teaspoons</b> (each cup— completely full)	<b>Each Cup – Completely Full</b> (water softener recommended)
<b>Fast Wash</b>	<b>1.5 teaspoons</b> (Main Wash cup— 1/4 full)	<b>4 teaspoons</b> (Main Wash cup—fill to line above "Regular")	<b>6 teaspoons</b> (Main Wash cup— completely full)	<b>Main Wash Cup – Completely Full</b> (water softener recommended)
<b>Quick Rinse</b>	<b>No Detergent</b>	<b>No Detergent</b>	<b>No Detergent</b>	<b>No Detergent</b> (water softener recommended)

**\*Note:** For very hard water, detergent alone may not be enough. A water softener is recommended to improve water quality and dishwashing performance. Try adding more detergent at the beginning of the main wash portion of the cycle. As a rule, use 1 teaspoon for each grain above 12. Unlatch the door, open slowly and add detergent to the bottom of the tub. Close the door to latch and the dishwasher will continue through the cycle.



# Dishwasher Dispenser & Detergents

## Rinse Aid

Rinse aid greatly improves drying and reduces water spots and filming. Water "sheets" off dishes rather than forming water droplets that cling and leave spots.

A dispenser, located next to the detergent cup, automatically releases a measured amount of rinse aid during the last rinse. If spotting and poor drying are problems, increase the amount of rinse aid dispensed by rotating the dial to a higher number. The dial is located under the dispenser cap. The indicator will be dark when full and will show clear when it is time to refill.

To add liquid rinse aid, turn dispenser cap 1/4 turn counterclockwise and lift out. Pour in rinse aid until liquid touches the indicated fill level. Replace cap.

**Do not overfill since this can cause oversudsing. Wipe up any spills with a damp cloth.**

**The dispenser holds enough for 35 to 140 washes, depending on setting.**

## Factors Affecting Performance

### Water Pressure

Water pressure should be between 20 and 120 pounds per square inch. Low water pressure occurs most often during periods of high water consumption, such as when laundry or showers are being done. To determine if you have enough water pressure, put a 2 quart container under fully opened hot water faucet nearest the dishwasher. It should fill in less than 14 seconds. Be sure all other faucets are turned off during test.

### Water Temperature

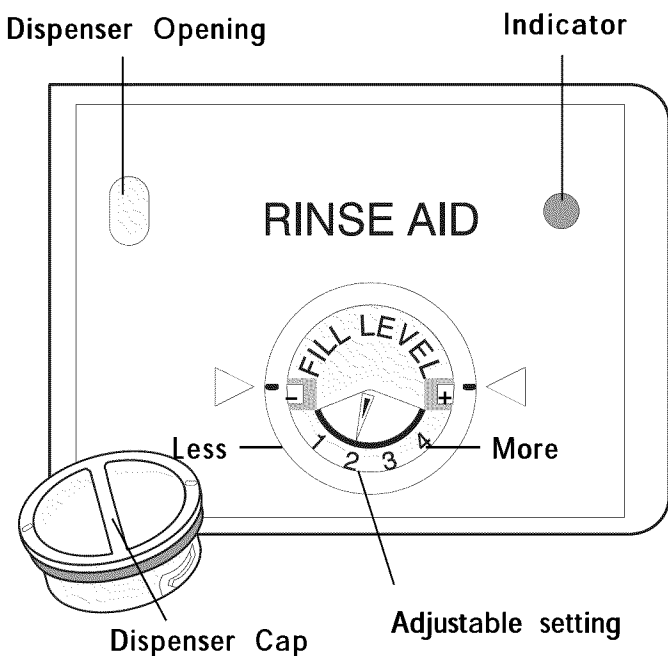
Hot water is needed for best dishwashing and drying results. Water entering dishwasher should be 120°F (49°C) to give satisfactory results.

To check water temperature entering dishwasher:

- Turn on hot water faucet nearest dishwasher for several minutes to clear cool water from pipes.
- Hold a candy or meat thermometer in stream of water to check the temperature.
- If temperature is below 120°F (49°C), have a qualified person raise the hot water heater thermostat setting.

**Important: Before starting a cycle, run hot water to clear cool water from pipe.**

Not selecting the AIR DRY option in combination with rinse aid will enhance drying performance. The energy required to use the AIR DRY option costs pennies per cycle. You may choose to select the AIR DRY option; however you will have items in your dish load that will not be completely dry at the end of the cycle.



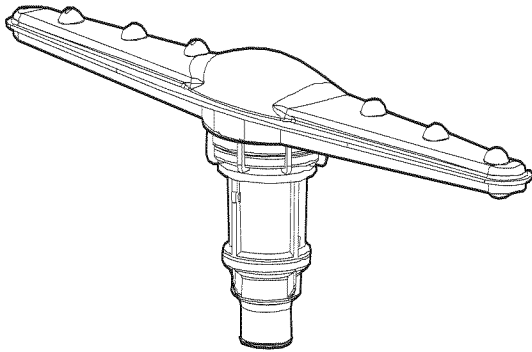
## Care & Cleaning

### ⚠ CAUTION

#### Property Damage Hazard

Freezing temperatures may cause water lines to rupture. Be sure all supply lines to and circulating lines within dishwasher are protected.

Failure to do so could result in property damage.



### Cleaning the Spray Arm

The spray arm may need to be cleaned to insure that there are no clogs to the spray arm jets and bearings due to hard water chemicals.

To remove spray arm simply hold the spray arm in place and turn the retaining nut clockwise and pull up on the spray arm lifting off the shaft.

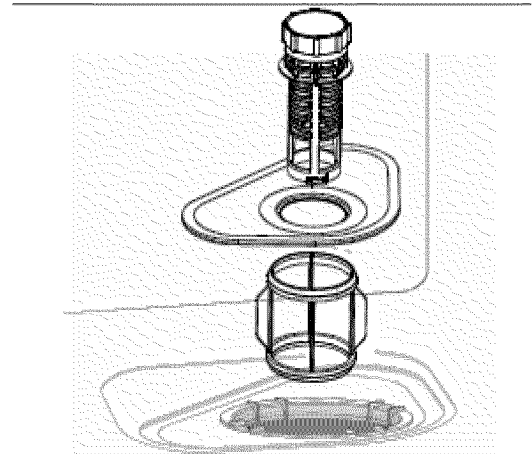
To clean the spray arm use warm soapy water using a soft brush to clean the jets and bearings.

To replace the spray arm simply set the spray arm on the shaft, take the retaining nut and turn it counter clockwise till it has locked into place.

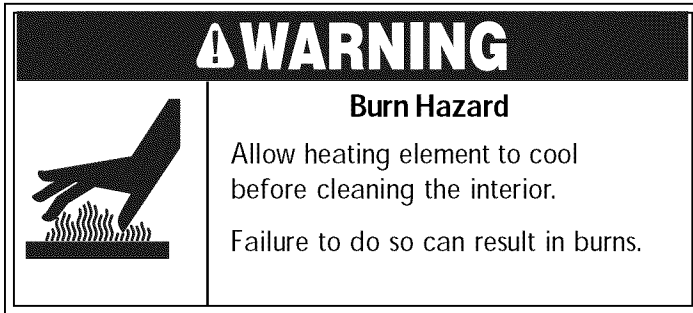
### Cleaning the Filter

For optimum performance, your dishwasher is equipped with a filter assembly featuring a main filter, cup and fine filter as shown in the drawing above. All food fragments are removed from the dishwasher as water passes through the filter assembly.

Each part of the assembly should be cleaned often to ensure that all food fragments are removed from the dishes. To remove food fragments from the filter assembly, the filters must be removed from the dishwasher. To remove the filters, pull up on the edge of the main filter. Next, rinse the main filter and fine filter under running water. Cleaning with a brush may also be necessary to remove any fragments trapped in the filters. Once cleaning has been completed, simply reassemble the filter as shown in the drawing above. To ensure that the filter is fully seated, please press down on the top of the main filter. **Using the dishwasher without a properly installed filter is not recommended as it will reduce the cleaning efficiency and may damage dishware.**



## Care & Cleaning



**Outside**—Occasionally wipe with a mild nonabrasive detergent and water. Rinse and dry.

**Inside**—The inside of the dishwasher is self-cleaning with normal use.

To clean Stainless Steel wipe with the grain.

**NEVER** use the products that contain Chlorine Bleach or Citric Acid.

*Important: The dishwasher motor is permanently lubricated at the factory and does not need to be oiled.*

### Care of Drain Air Gap

If a drain air gap was installed for your built-in dishwasher, check to make sure it is clean so the dishwasher will drain properly. A drain air gap is usually mounted on countertop and can be inspected by removing the cover. This is not part of your dishwasher and is not covered by warranty.

## Winterizing

A dishwasher left in an unheated place should be protected from freezing. Have a qualified person do the following:

### To Disconnect Service:

1. Turn off electrical power to the dishwasher at the supply source by removing fuses or tripping circuit breaker.
2. Shut off water supply.
3. Place a pan under the inlet valve. Disconnect water line from inlet valve and drain into pan.
4. Disconnect drain line from pump and drain water into pan.

**Note:** See *Installation Instructions* for more details on disconnecting and restoring service to your dishwasher.

### To Restore Service:

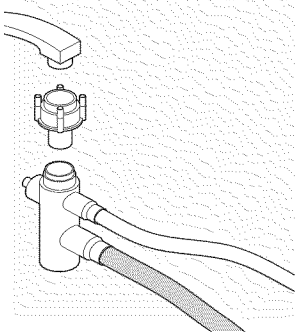
1. Reconnect the water, drain, and electrical power supply.
2. Turn on water and electrical power supply.
3. Fill both detergent cups and run dishwasher through a NORMAL WASH Cycle.
4. Check connections to make sure they do not leak.

**Note:** See *Installation Instructions* for more details on disconnecting and restoring service to your dishwasher.

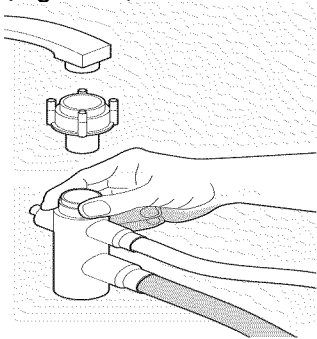
# Connecting and Disconnecting Portable Dishwasher

The portable dishwasher must be connected to a faucet and electrical outlet each time it is used. Follow directions on this page to properly connect dishwasher.

## Faucet Adapter Assembly (Figure A)



## Connecting the Portable Faucet Adapter Assembly (Figure B)



### IMPORTANT: Make sure door is latched before moving dishwasher.

The power cord and faucet coupler with hoses are located in a compartment in back of dishwasher. A special adapter must be installed on faucet before you can connect dishwasher (Figure A).

1. Remove faucet adapter assembly from literature package.
2. Unscrew existing sink faucet aerator.
3. Check faucet spout to see if threads are inside or outside.
  - If threads are on *inside* of faucet spout, use both rubber washers.
  - If threads are on *outside* of faucet spout, use one rubber washer only.
  - If faucet has no threads, an adapter kit with instructions for attachment to a non-threaded spout is available at most hardware stores.
4. Assemble faucet spout as shown in Figure A.

## Connecting the Portable Dishwasher

1. Run water at faucet until it is hot. Turn off faucet.
2. Pull hoses out of compartment.
3. Push collar down and slip faucet connector onto faucet adapter (Figure B).
4. When connector snaps into place, release collar.
5. Slowly turn on hot water all the way.
6. Plug power cord into grounded outlet.

## Disconnecting the Portable Dishwasher

1. When cycle has finished, unplug power cord and return it to compartment.
2. Turn off hot water.
3. Press red button on coupler to release water pressure.
4. Press down on collar to release coupler.
5. Empty remaining water from coupler and return it to compartment.

**IMPORTANT:** A sink spray hose can burst due to constant water pressure while in use. If your spray hose is installed on same water line as the dishwasher, it is your responsibility to disconnect sink's spray hose and to plug hole.

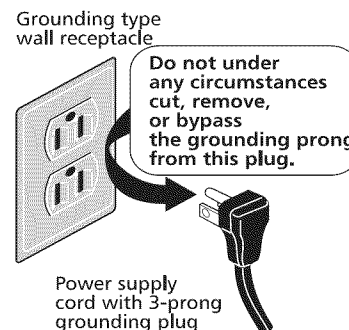
## Electrical Connection for a Portable Dishwasher

An electrical supply of 120 volts, 60 Hz, AC only, 15 amps is required. For your safety, the dishwasher must be grounded. If there is a malfunction or breakdown, grounding will reduce risk of electrical shock. This dishwasher has a power cord with a 3-prong grounding plug. It must be plugged into a mating 3-prong grounding type receptacle, installed and grounded in accordance with the National Electrical Code and any local codes and ordinances.

**⚠ CAUTION**

**Electric Shock Hazard**

Avoid fire hazard or electrical shock. Do not use an adapter plug, extension cord or remove grounding prong from electrical power cord. Failure to follow this warning can cause serious injury, fire or death.



## Solutions to Common Dishwashing Problems

**Before calling for service, review this list. It may save you both time and expense. This list includes common experiences that are not the result of defective workmanship or material in your dishwasher.**

**Dishes not clean**—Check pages 4 to 8 for information on correct wash cycle, proper loading, water temperature, water pressure, hard water, amount of detergent, old and ineffective detergent, and dish placement. To maximize wash performance clean the filter of all large food particles after each wash. To ensure that you clean the filter correctly refer to page 10.

**Dishes not drying** can be greatly improved by using a rinse aid and hot water. Hot water raises temperature of dishes to speed up drying. When loading, invert cups and bowls so that water can run off. Avoid nesting of articles. If dishes are not completely dry at end of cycle (which may occur when COOL DRY setting is used), open door, roll out racks, and allow dishes to air dry.

**Spotting**—Spots form when hard water droplets evaporate leaving a deposit. Low phosphate detergents increase the problem in hard water. To prevent, use hot water and a detergent with a higher level of phosphates (preferably 8.7% or higher), or use more of a low phosphate detergent. Be sure to use a rinse aid. If water is very hard, it may be necessary to install a water softener. Load glasses and plates so they have minimum contact with racks and pins. Avoid overloading. Spotting will occur where dishes and glasses touch.

**Cloudy films and streaking** are usually caused by a combination of hard water and an insufficient amount of detergent. Low phosphate detergents are also a factor. To correct, increase amount of detergent, check water temperature and always use a rinse aid. If water is very hard, it may be necessary to install a water softener.

**Etched film on glassware** is caused by using too much detergent in soft or softened water. This film cannot be removed. It is more likely to occur on soft leaded glass or expensive crystal. An early warning of this condition is a cloudy iridescent appearance on glasses. To prevent, be sure dishwasher is getting a full fill of water. Water should reach base of heating element. If water level is low, have water pressure checked by a plumber. Use less detergent and make sure water temperature is not higher than 150°F (66°C). Underload to assure thorough rinsing. Use the COOL DRY Option.

**Chipped dishes and glasses** can result from rough handling and improper loading. Do not put glasses in direct contact with other items. Place glasses securely against pins.

**Crazing of older china and pottery** happens when items are subjected to very hot water. Once crazing (fine cracks in the glaze) appears, it cannot be removed. Do not machine wash again or condition may worsen.

**Gray-black stains on dishes** are caused by manganese in water supply. To correct, install a manganese filtering system into house water supply.

**Coffee and tea stains** can occur when water contains traces of iron. To avoid stains, rinse cups out immediately after use. Increase amount of detergent and use a rinse aid. Water temperature should be approximately 140°F (60°C). If problem persists, install a water softener with an iron removal unit. To remove stains, hand wash cups in solution of 1/2 cup (120 ml) bleach and a quart (1 L) of warm water. Rinse thoroughly.

**Reddish-brown stains on dishes, glasses and interior** are caused by iron in water. To avoid iron stain, increase detergent, use water heated to approximately 140°F (60°C) and a rinse aid. It may be necessary to install a water softener with an iron removal unit. To improve appearance, use a commercial rust and lime scale remover.

**Plastic items** can lose their shape due to high temperatures of automatic dishwashing. Read labels before washing. Place washable items in top rack away from heating element.

**Discoloration of plasticware** by some foods, such as tomato sauce, can stain plasticware. If stained, soak item in solution of 1 tablespoon dishwasher detergent and a quart of hot water or in a solution of 1/2 cup (120 ml) bleach and a quart (1 L) of hot water.

**Fading of patterns and metallic trim** is due to many washings, detergent and hot water. Most of today's china is dishwasher safe. Antique, handpainted china, and handpainted pottery should be washed by hand.

**Do not place silver** next to or touching stainless steel utensils in dishwasher silverware basket. This can cause pitting of stainless steel blades. (Most silver knives have stainless steel blades. Do not let blades touch other stainless steel utensils during wash cycle.)

**Tarnish on silver plate** occurs when worn down to the base metal and turns a bronze color when exposed to hot water and detergent. Remove bronzing by soaking item in vinegar for 10 minutes or use a silver polish. For permanent protection, have silver replated.

**Silver tarnish** can be caused by prolonged contact with air or with foods containing sulphur like eggs, mayonnaise, or seafood. Contact with undissolved detergent can also cause tarnish. To prevent this, rinse silver soon after use. Use care not to pour detergent directly onto silver. Remove tarnish with a silver polish.

**Discoloration of stainless steel**—Food soil can create a film or discoloration. To avoid, rinse stainless items promptly. Food soil films can be removed with a stainless steel cleanser or mild cleanser. Rinse thoroughly.

# Solutions to Common Dishwashing Problems

**Pitting of stainless steel** is caused by prolonged contact with detergent granules and foods like salt, mayonnaise, fruits, butter or milk. To prevent, rinse soon after use. Do not allow detergent to fall directly onto stainless steel items.

**Discoloration of aluminum**—Anodized (colored) aluminum cannot withstand machine washing. Resulting loss of color is permanent. Other aluminum may darken when machine washed. To decrease chance of discoloration, do not place aluminum directly beneath detergent dispenser. To brighten darkened items, scour with soap filled steel wool pads. For severely darkened pans, simmer an acidic food or a solution of 2 teaspoons (10 ml) cream of tartar per quart (1 L) of water for 1/2 hour. Scour with soap filled steel wool pad, rinse and dry.

**Knife handles become loose** when the cement is exposed to very hot water. Test wash a single knife for several weeks. Damaged knives should be professionally re-cemented.

## Troubleshooting

Before calling for service, review this list. It may save you both time and expense. This list includes common experiences that are not the result of defective workmanship or material.

### *Noise problems?*

It is normal to hear swishing and pulsating sounds.

These sounds mean that water is circulating through the dishwasher.

It is normal to hear motor sounds before water enters tub. Loud ticking usually means something is hitting wash arm.

See **Preparing and Loading Dishes**.

Vibrating or rattling sounds can mean dishes are touching each other. See **Preparing and Loading Dishes**.

### *Operating problems?*

Be sure door is firmly closed. It is normal for dishwasher to pause between cycles.

### *Leaking?*

Check for items sticking out of dishwasher that could prevent door from closing and sealing properly. Use only fresh dishwashing detergent to avoid oversudsing.

Water coming through door vents? When a dish is added after starting dishwasher, wait a few seconds before latching door. This permits entering cold air to expand slowly inside dishwasher.

### *Water in tub?*

A small amount of water in bottom of tub is normal. It keeps water seal lubricated.

### *Detergent left in cup?*

Detergent may be too old. Discard old detergent. Use fresh detergent. Dishes may not be loaded properly. Be sure items do not protrude from front of bottom rack preventing detergent cup from opening.

### *Dishes not dry?*

Check to see if rinse aid dispenser needs refilling. Hot water temperature may be too low (min. 120°F 49°C). If COOL DRY option is being used, additional drying time may be required with door open.

## Master Protection Agreements

*Congratulations on making a smart purchase.* Your new Kenmore® product is designed and manufactured for years of dependable operation. But like all products, it may require preventive maintenance or repair from time to time. That's when having a Master Protection Agreement can save you money and aggravation.

The Master Protection Agreement also helps extend the life of your new appliance. Here's what the Agreement\* includes:

- ☑ **Parts and labor** needed to help keep products operating properly **under normal use**, not just defects. Our coverages goes **well beyond the product warranty**. No deductibles, no functional failure excluded from coverage - **real protection**.
- ☑ **Expert service** by a force of more than **10,000 authorized Sears service technicians**, which means someone you can trust will be working on your product.
- ☑ **Unlimited service and nationwide service**, as often as you want us, whenever you want us.
- ☑ **"No-lemon" guarantee** – replacement of your covered product if Four or more product failures occur within twelve months
- ☑ **Product replacement** if your covered product can't be fixed
- ☑ **Annual Preventive Maintenance Check** at your request - no extra charge
- ☑ **Fast help by phone** – we call it **Rapid Resolution** - phone support from a Sears representative on all products. Think of us as a "talking owner's manual"
- ☑ **Power surge protection** against electrical damage due to power fluctuations
- ☑ **\$250 Food Loss Protection** annually for any food spoilage that is the result of mechanical failure of any covered refrigerator or freezer.
- ☑ **Rental reimbursement** if repair of your covered product takes longer than promised
- ☑ **10% discount** off the regular price of any non-covered repair service and related installed parts.

Once you purchase the Agreement, a simple phone call is all that it takes for you to schedule service. You can call anytime day or night, or schedule a service appointment online.

The Master Protection Agreement is a risk free purchase. If you cancel for any reason during the product warranty period, we will provide a full refund. Or, a prorated refund anytime after the product warranty period expires. Purchase your Master Protection Agreement today!

**Some limitations and exclusions apply. For prices and additional information call 1-800-827-6655.**

**\*Coverage in Canada varies on some items. For full details call Sears Canada at 1-800-361-6665.**

### **Sears Installation Service**

*For Sears professional installation* of home appliances, garage door openers, water heaters, and major home items, in the U.S.A. call **1-800-4-MY-HOME®**.

## Table des matières

Caractéristiques .....	16	Facteurs affectant le rendement .....	23
Consignes de sécurité .....	17	Entretien et nettoyage .....	24
Fonctionnement de l'appareil .....	18-19	Solutions aux problèmes d'utilisation courante .....	25-26
Préparation et chargement de la vaisselle .....	20-21	Contrats de Protection Principaux .....	27
Distributeurs et de détergents.....	22-23	Services Sears .....	Dernière de couverture

---

## Garantie Sur les Appareils Kenmore

### Garantie limitée d'un an

Lorsque cet appareil est installé, utilisé et entretenu conformément à toutes les instructions fournies la garantie suivante s'applique. Pour organiser un service de garantie, appelez 1-800-4-MY-HOME® (1-800-469-4663). Pendant deux ans à compter de la date d'achat, n'importe quelle partie du lave-vaisselle qui échoue en raison d'un défaut de matériaux ou de fabrication sera remplacé gratuitement. Après la première année suivant la date d'achat, le client assume tous les frais du travail associés au remplacement de ces pièces. Pendant cinq ans à partir de la date d'achat, aucune partie de l'égouttoir supérieur ou inférieur qui rouille durant à un défaut de matériaux ou de fabrication sera remplacé gratuitement. Après la première année suivant la date d'achat, le client assume tous les frais associés au remplacement du travail égouttoir. Si la fuite se produit jamais en raison de la rouille travers de la baignoire en acier inoxydable ou le panneau de porte intérieure, la baignoire ou du panneau sera remplacé gratuitement. Si cet appareil est utilisé à d'autres fins que l'usage familial privé, cette garantie est valide seulement pendant 90 jours suivant la date d'achat.

**Cette garantie couvre seulement les défauts de fabrication ou les vices de matériau. Sears NE COUVRE PAS les frais reliés :**

1. Aux articles consommables qui sont sujets à l'usure normale, incluant, sans en exclure d'autres, filtres, courroies, ampoules et sacs.
2. À la visite d'un réparateur pour démontrer l'installation, l'utilisation et l'entretien appropriés de l'appareil.
3. À la visite d'un réparateur pour nettoyer ou entretenir l'appareil.
4. Aux dommages ou pannes causés par une mauvaise installation, utilisation ou entretien qui n'ont pas été effectués selon toutes les instructions fournies avec ce produit.
5. Aux dommages ou pannes causés par un accident, un abus, une mauvaise utilisation ou toute utilisation autre que celle pour laquelle il a été conçu.
6. Aux dommages ou pannes causés par l'utilisation de détergents, nettoyeurs, produits chimiques ou accessoires autres que ceux recommandés dans toutes les instructions fournies avec ce produit.
7. Aux dommages affectant les pièces ou les systèmes ou aux pannes causés par des modifications du produit non autorisées.

### À l'avis de garanties implicites; limitations des recours

L'unique recours du client en vertu de cette garantie limitée est la réparation du produit comme décrit précédemment. Les garanties implicites, y compris les garanties implicites de qualité marchande et d'adaptation à un usage particulier, sont limitées à un an ou à la période la plus courte permise par la loi. Sears ne peut être tenue responsable des dommages directs ou indirects. Certains États et certaines provinces ne permettent pas de restriction ou d'exemption sur les dommages directs ou indirects, ou de restriction sur les garanties implicites de qualité marchande ou d'adaptation à un usage particulier. Dans ce cas, ces restrictions ou exemptions pourraient ne pas être applicables.

Cette garantie est valide seulement si ce produit est utilisé aux États-Unis ou au Canada.

Cette garantie vous donne des droits juridiques spécifiques et vous pouvez aussi bénéficier d'autres droits qui varient d'un État à un autre, ou d'une province à une autre.

**Sears Brand Management Corporation, Hoffman Estates, IL 60179 USA**

**Sears Canada Inc., Toronto, Ontario, Canada M5B 2B8**



## Enregistrement du Produit

Dans l'espace ci-dessous, inscrivez les numéros complets du modèle et de série, et la date d'achat. Vous pouvez trouver cette information sur l'étiquette des numéros de modèle et de série, à l'emplacement indiqué dans la section Fonctionnement de l'appareil de ce livret. Munissez-vous de cette information pour obtenir de l'aide rapidement lorsque vous contactez Sears au sujet de votre électroménager.

## Consignes de sécurité importantes

### **⚠ AVERTISSEMENT**

Pour réduire les risques d'incendie, de choc électrique ou de blessures en utilisant votre lave-vaisselle, suivez les précautions qui s'imposent, incluant celles qui suivent:

- Lisez toutes les instructions avant de faire fonctionner votre lave-vaisselle.
- N'utilisez votre lave-vaisselle que selon les instructions incluses dans ce guide d'entretien et d'utilisation.
- Les instructions contenues dans le présent guide d'entretien et d'utilisation ne visent pas à couvrir toutes les situations qui pourraient se présenter. Faites preuve de sens pratique et prenez les précautions qui s'imposent lors de l'installation, l'utilisation et l'entretien de tout appareil électroménager.
- LE CIRCUIT ÉLECTRIQUE DE CE LAVE-VAISSELLE DOIT ÊTRE MIS À LA TERRE. Lisez les instructions d'installation pour de plus amples informations.
- Ce lave-vaisselle est conçu pour fonctionner avec un courant résidentiel normal (120 volts, 60 hertz). Utilisez un circuit équipé d'un fusible ou un disjoncteur de 15 ampères. Utilisez un fusible de 20 ampères si le lave-vaisselle est connecté avec un broyeur à déchets.
- Ne faites pas fonctionner le lave-vaisselle si tous les panneaux de carrosserie ne sont pas correctement en place.
- Pour éviter qu'une personne puisse s'enfermer à l'intérieur de l'appareil et/ou y suffoquer, retirez la porte ou le mécanisme de verrouillage de porte de tout lave-vaisselle inutilisé ou mis aux rebuts.
- Tenez vos bébés et enfants loin du lave-vaisselle en fonctionnement.
- Ne laissez pas vos enfants faire une utilisation abusive, s'asseoir, grimper ou jouer sur la porte ou les paniers du lave-vaisselle.
- Utilisez seulement les détergents et agents de rinçage recommandés pour lave-vaisselle.
- Placez les détergents et agents de rinçage hors de la portée des enfants.

## Registro de productos

Numéro de modèle: **587.** \_\_\_\_\_

Numéro de série: \_\_\_\_\_

Date d'achat: \_\_\_\_\_

- Ne lavez pas les articles en plastique à moins d'indication contraire sur les étiquettes. S'il n'y a aucune indication à cet effet vérifiez avec le fabricant. Les articles non recommandés pour être lavés au lave-vaisselle risquent de fondre et de créer un risque d'incendie.
- Si le lave-vaisselle vidange dans un broyeur à déchets, assurez-vous que ce dernier est complètement vide avant de mettre en marche le lave-vaisselle.
- Débranchez l'alimentation électrique au lave-vaisselle avant d'entreprendre tout travail d'entretien ou de réparation.
- Ne touchez pas l'élément chauffant pendant ou immédiatement après l'utilisation.
- Pour ranger les articles dans le lave-vaisselle:
  - Ranger les couteaux et articles pointus pour qu'ils ne risquent pas d'endommager le joint de la porte ou la cuve.
  - Placer les couteaux et articles pointus, manches vers le haut pour réduire le risque de coupures.
- Dans certaines conditions, il est possible qu'il se produise une formation d'hydrogène dans la canalisation d'eau chaude inutilisée depuis 2 semaines ou plus. **L'HYDROGÈNE EST UN GAZ EXPLOSIF.** Si la canalisation d'eau chaude n'a pas été utilisée pendant un tel laps de temps, ouvrez tous les robinets d'eau chaude et laissez couler l'eau pendant plusieurs minutes avant d'utiliser le lave-vaisselle. Ceci permettra d'évacuer tout hydrogène accumulé. **L'HYDROGÈNE EST UN GAZ INFLAMMABLE.** Ne fumez ou n'allumez aucune flamme dans une telle situation.
- N'entreposez et n'utilisez pas d'essences et combustibles ou d'autres produits inflammables à proximité de cet appareil ou de tout autre appareil électro-ménager.
- Les réparations doivent être faites par un technicien qualifié.
- Ne modifiez pas les commandes.

### **⚠ AVERTISSEMENT**

Ce pictogramme vise à vous avertir de situations dangereuses susceptibles de causer des blessures graves, des brûlures, un incendie ou des chocs électriques.

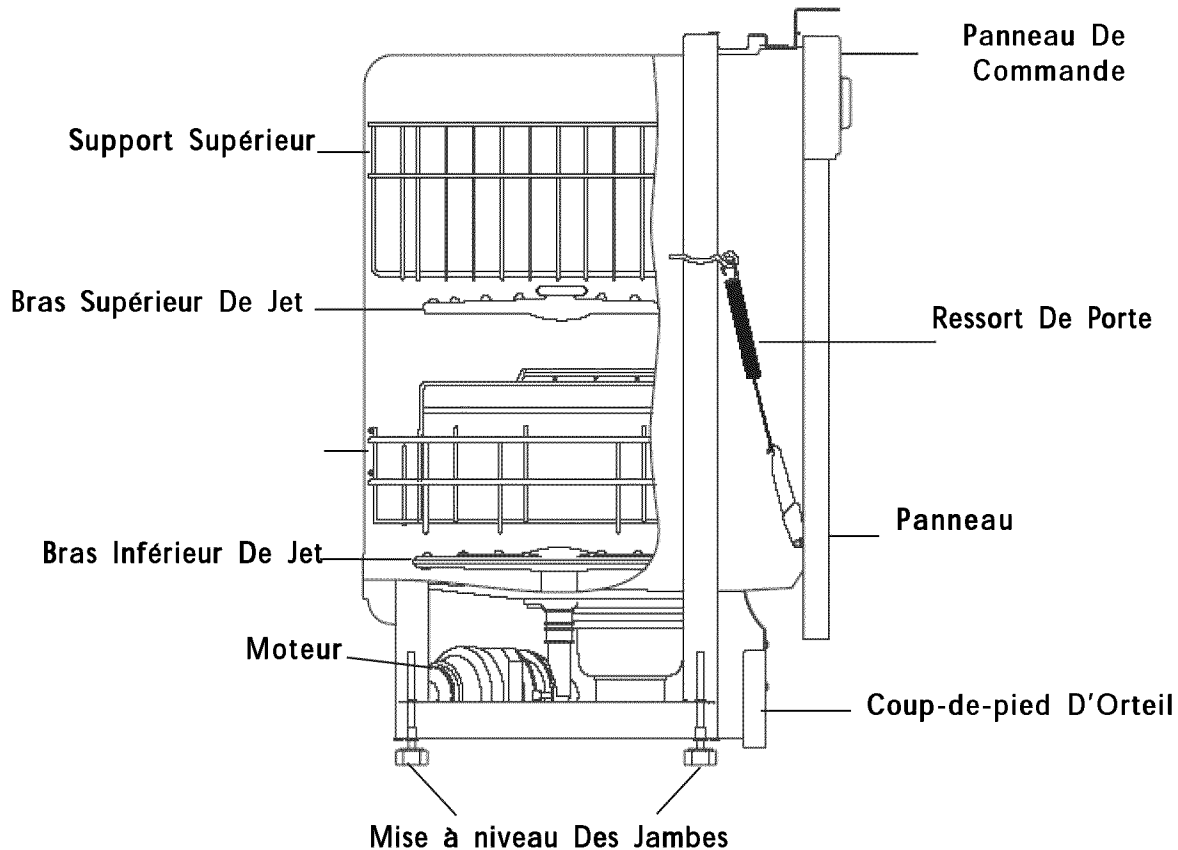
**CONSERVEZ CES INSTRUCTIONS**

## Fonctionnement de L'appareil

### Comment Votre Lave-Vaisselle Nettoie-T-IL?

Votre lave-vaisselle, illustré ci-dessous, nettoie en arrosant les surfaces souillées de la vaisselle et des ustensiles avec un mélange d'eau propre et chaude et de détergent. Chaque cycle commence par un pré-drainage. Ensuite, le lave-vaisselle se remplit jusqu'au niveau de l'élément chauffant. Cette eau se fait constamment pomper dans le bras d'arrosage rotatif et dans la tour de lavage centrale pour ensuite se faire projeter en gouttelettes sur la vaisselle. L'eau sale est pompée et remplacée par de l'eau propre au cours d'un cycle. Le nombre de remplissages d'eau dépend du cycle utilisé.

*L'apparence peut être différente de celle de votre modèle.*



### Pour Commencer



## Fonctionnement de L'appareil

### Démarrage

1. Vérifiez Le Filtre (Voir Le Filtre De Nettoyage)
2. Charger le lave-vaisselle (voir Préparation et chargement de la vaisselle).
3. Ajoutez le détergent (voir Distributeurs et détergents).
4. Ajoutez le produit de rinçage, si nécessaire (voir Produits de rinçage).
5. Sélectionnez le cycle (CYCLE) désiré (voir Tableau des cycles).
6. Choisissez les OPTIONS désirées.

7. Pour les instructions du branchement du lave-vaisselle mobile, voir Branchement et débranchement du lave-vaisselle mobile/adaptable en page 11.
8. Ouvrir le robinet d'eau chaude situé le plus près du lave-vaisselle pour purger l'eau froide du tuyau. Fermer le robinet.
9. Pour démarrer le lave-vaisselle, fermer la porte à fond.

### Luz Azul (Blue Light)

Quando es AZUL Luminates LIGERO en el piso esto indica que el ciclo de la colada está terminando.

<b>Tableau des cycles</b>					
* Comprend le temps de séchage					
<b>Cycle</b>	<b>Description</b>	<b>Pour sélectionner le cycle</b>	<b>Eau (approx.)</b>	<b>Durée* (approx.)</b>	<b>Lavages/Rinçages</b>
<b>Pots &amp; casseroles (Pots &amp; Pans)</b>	Pour la vaisselle et les ustensiles très sales.	<ul style="list-style-type: none"> <li>• Sélectionnez POTS &amp; PANS.</li> <li>• Sélectionnez les OPTIONS désirées.</li> </ul>	16,7 litres	125 mins	2 lavages 5 rinçages
<b>Lavage normal (Normal Wash)</b>	Pour la vaisselle et les ustensiles moyennement sales.	<ul style="list-style-type: none"> <li>• Sélectionnez NORMAL WASH.</li> <li>• Sélectionnez les OPTIONS désirées.</li> </ul>	13,4 litres	95 mins	2 lavages 4 rinçages
<b>Lavage rapide (Fast Wash)</b>	Pour la vaisselle et les ustensiles peu sales ou rincés au préalable.	<ul style="list-style-type: none"> <li>• Sélectionnez FAST WASH</li> <li>• Sélectionnez les OPTIONS désirées.</li> </ul>	10,2 litres	65 mins	2 lavage 2 rinçages
<b>Eco</b>	Pour la vaisselle et les ustensiles peu sales ou rincés au préalable.	<ul style="list-style-type: none"> <li>• Sélectionnez ECO.</li> <li>• Sélectionnez les OPTIONS désirées.</li> </ul>	12,0 litres	85 mins	2 lavage 3 rinçages
<b>Rinçage rapide (Quick Rinse)</b>	Pour rincer la vaisselle qui sera lavée plus tard.	<ul style="list-style-type: none"> <li>• Sélectionnez QUICK RINSE.</li> <li>NE PAS UTILISER de détergent.</li> </ul>	6,8 litres	25 mins	1 rinçage

**Note:** Les durées des cycles sont approximatives et varient selon les options sélectionnées. Pas tous les cycles sont disponibles sur tous les modèles.

## Options D'Énergie

### Option de lavage haute température

Lorsque l'option de lavage haute température HI-TEMP WASH est sélectionnée, le lave-vaisselle réchauffe l'eau à environ 140 °F (60 °C). Le cycle de lavage se poursuit mais la minuterie ne se met en marche que lorsque la température adéquate est atteinte. L'eau plus chaude qu'offre cette option permet d'activer le détergent pour mieux déloger la graisse et la saleté de la vaisselle. L'option de lavage haute température HI-TEMP WASH peut être utilisée avec tous les cycles, à l'exception du cycle de rinçage sans lavage QUICK RINSE, et n'est pas recommandée avec le cycle FAST WASH. Pour désactiver cette option, sélectionnez HI-TEMP WASH OFF (désactivation du lavage haute température).

### Option Séchage à l'air (Air Dry)

Lorsque l'appareil est en marche et qu'un cycle est sélectionné, l'option de séchage à chaud est sélectionnée par défaut. Ce type de séchage combine le séchage à chaud et un agent de rinçage qui optimisent le séchage.

Si vous souhaitez utiliser uniquement le AIR DRY (Séchage à l'air) pour la vaisselle, sélectionnez AIR DRY (Séchage à l'air) et l'élément chauffant de l'appareil ne sera pas mis en marche. Cela permet de réduire la consommation d'énergie, mais réduit la performance du séchage.

### Mise en marche différée

L'option DELAT START vous permet de différer la mise en marche automatique du lave-vaisselle de 2, 4 à 6 heures.

Realice las selecciones del ciclo, oprima la tecla 'DELAY START' (encendido diferido) hasta que la luz LED del diferimiento deseado se encienda, cierra la puerta y el diferido se iniciará.

Para anular el diferimiento e iniciar el ciclo antes de que termine el tiempo de espera, abra la puerta y oprima la tecla 'START/CANCEL' (encender/anular). Cierre la puerta y el ciclo se iniciará.

### Désinfection (Sanitize)

Pour désinfecter votre vaisselle et vos verres, sélectionnez SANITIZE. Une fois sélectionné, le voyant lumineux situé au-dessus de la touche s'allume. La température de l'eau au cours du dernier rinçage sera élevée à 68°C (155°F). Un rinçage de désinfection est fourni automatiquement dans le cycle SANITIZE et peut être sélectionné pour les cycles POTS & PANS, NORMAL WASH et FAST WASH. Ces cycles de lavage sanitaire ont seulement été conçus pour répondre aux exigences NSF.

La durée du cycle en question sera prolongée jusqu'à ce que la température correcte de l'eau soit atteinte. L'action de lavage se poursuit pendant le délai de chauffage de l'eau. Pour de meilleurs résultats, la température de l'eau devant être élevée doit être d'au moins 49°C (120°F).

Le critère de désinfection peut ne pas être satisfait en cas d'interruption du cycle, de panne de courant ou si la température de l'eau d'arrivée est inférieure à 49°C (120°F).

Pour désactiver l'option SANITIZE, appuyer une seconde fois sur la touche. Le voyant lumineux situé au-dessus s'éteint.

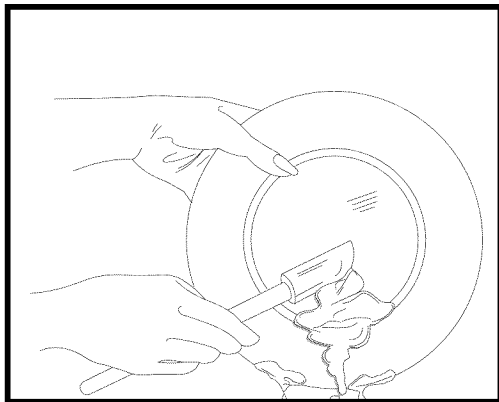
# Fonctionnement de L'appareil

## Préparation De La Vaisselle

Enlevez les gros morceaux de nourriture, les os, les noyaux, les cure-dents, etc. Le système de lavage enlèvera les particules d'aliments restantes. Grattez doucement les aliments brûlés avec un ustensile ne rayant pas ou faites tremper le plat avant de le laver (Voir Figure 1). Videz les liquides des verres et des tasses.

Les aliments contenant des huiles végétales et/ou des additifs chimiques tels que la moutarde, la mayonnaise, le vinaigre, le jus de citron ou des produits à base de tomates, peuvent provoquer une décoloration de l'acier inox et des plastiques s'ils restent en contact pendant long temps avec ces objets. Sauf si le lave-vaisselle doit être mis en marche immédiatement, il est conseillé de rincer ce genre de résidus alimentaires.

- Chargez les paniers de façon à ce que les gros objets n'empêchent pas le distributeur de détergent de s'ouvrir.
- Vérifiez les recommandations du fabricant avant de laver des objets dont on n'est pas sûr.
- Si le lave-vaisselle se vidange dans un broyeur à déchets, **assurez-vous que le broyeur à déchets est complètement vide avant de mettre en marche le lave-vaisselle.**



## Chargement du panier supérieur

**Verres et tasses** - Incliner les tasses et les verres contre les tiges extérieures. Les dessous concaves des tasses se rempliront d'eau.

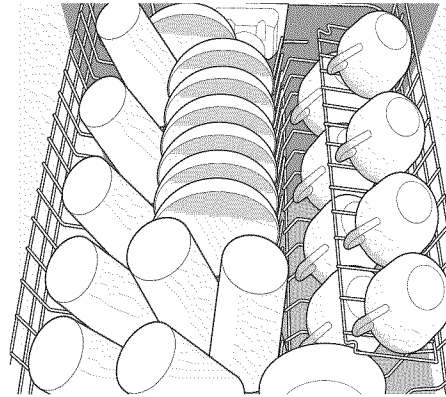
**Petites assiettes et soucoupes** - Placer la vaisselle entre les deux rangées centrales de tiges.

**Articles en plastique** - Placer les articles en plastique dans le panier supérieur pour éviter qu'ils ne fondent.

**Bols** - Placer les bols retournés entre les deux rangées centrales.

**Articles divers** - Placer les couteaux et les ustensiles à long manche dans le panier supérieur.

**Étagère à tasses** - On peut replier l'étagère à tasses sur des articles moins volumineux (verres à jus, tasses, etc.) pour avoir plus d'espace de rangement. Lorsqu'on utilise l'étagère à tasses, placer les articles en alternance avec ceux de la rangée du dessous pour permettre à l'eau d'atteindre toutes les surfaces intérieures.

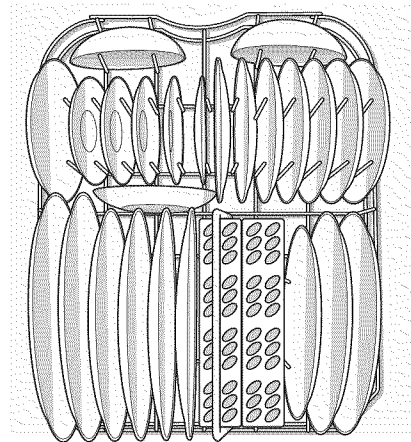


## Chargement du panier inférieur

**Grandes assiettes et plateaux** - Placer entre les tiges de soutien en mettant les surfaces sales vers l'intérieur.

**Bols, cocottes, etc.** - Placer vers le bas ou incliner vers le centre. L'eau s'écoule mieux lorsque ces articles sont légèrement inclinés.

**Casseroles** - Les incliner vers le bas. S'assurer que les poignées ne passent pas à travers le fond du panier, car elles bloqueraient la rotation du bras de lavage. Placer les gros articles sur les côtés et non le long du devant car ils pourraient empêcher l'ouverture du distributeur de détergent.

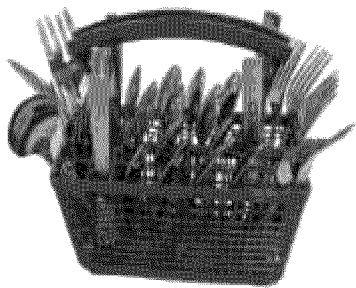
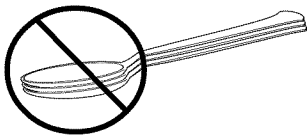


# Préparation et chargement de la vaisselle

## Chargement du panier à ustensiles

Placer les couteaux et ustensiles pointus manche vers le haut. S'assurer qu'aucun article ne passe à travers les trous du panier, ce qui pourrait arrêter la rotation du bras gicleur.

Mélanger les articles dans chaque section pour éviter qu'ils ne s'emboîtent. Le jet d'eau ne peut atteindre efficacement les articles emboîtés.



## Ajout d'un article à laver

1. S'assurer qu'il reste encore un cycle de lavage complet pour que tout article ajouté se fasse laver et rincer à fond.
2. Déverrouiller la porte et attendre que l'action de l'eau ne cesse.
3. Ouvrir la porte et ajouter l'article.
4. Fermer la porte à fond pour la verrouiller et reprendre le cycle.

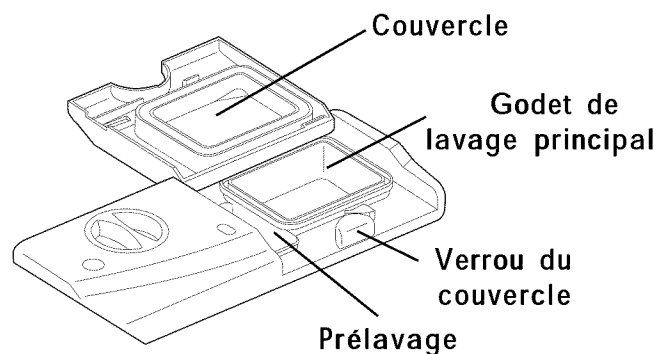
## Remplissage du distributeur de détersif

Le distributeur de détersif est muni d'un godet fermable et d'un autre découvert. Le détersif dans le godet découvert tombe dans le lave-vaisselle dès que la porte se ferme. Le godet fermable s'ouvre automatiquement durant le lavage principal.

- Utiliser uniquement un détergent neuf pour lave-vaisselle automatique. D'autres types de détergent peuvent provoquer une formation de mousse excessive.
- Si l'on utilise les tablettes de détergent pour lave-vaisselle, il suffit de placer une tablette dans le godet principal de détergent et de fermer ce godet.
- Ajouter du détergent avant de commencer le cycle.
- Ranger le détergent dans un endroit frais et sec. Un détergent qui a pris l'humidité et qui s'est solidifié ne se dissout pas complètement.

## Quelle quantité de détergent utiliser

La quantité de détergent à utiliser dépend de la dureté de l'eau. La dureté de l'eau est mesurée en grains par gallon. Lorsque la quantité de détergent est insuffisante, les résultats de lavage peuvent être insatisfaisants, et l'eau dure peut laisser un film ou des taches sur la vaisselle. L'utilisation d'une trop grande quantité de détergent dans l'eau douce peut entraîner la formation d'un film permanent par suite d'attaque par le détergent. La compagnie des eaux, la compagnie d'adoucisseurs de votre région ou les services publics de la municipalité peuvent vous fournir la dureté de l'eau de votre secteur.



**Remarque: Si le couvercle est fermé sur la cuvette de lavage principale, ouvrir en appuyant sur le verrou du couvercle.**

## **ATTENTION**

L'utilisation d'un détergent industriel peut endommager le serpentin et d'autres pièces du lave-vaisselle, entraînant ainsi des dommages à l'appareil et aux biens qui l'entourent. Utilisez uniquement des détergents à lave-vaisselle ménagers.

## Distributeurs et détergents

Guide d'utilisation de détergent				
Cycle	Eau douce (0-3 grains)	Eau moyennement dure (4-8 grains)	Eau dure (9-12 grains)	Eau très dure* (plus de 12 grains)
<b>Pots &amp; Casseroles</b> (Pots & Pans) <b>Lavage normal</b> (Normal Wash)	1.5 cuillerées à thé (chaque godet – rempli au 1/4)	4 cuillerées à thé (chaque godet – rempli jusqu'au repère au-dessus de «Regular»)	6 cuillerées à thé (chaque godet – entièrement rempli)	Chaque godet – entièrement rempli
<b>Lavage Rapide</b> (Fast Wash)	1.5 cuillerées à thé (godet de lavage principal – rempli au 1/4)	4 cuillerées à thé (godet de lavage principal – rempli jusqu'au repère au-dessus de «Regular»)	6 cuillerées à thé (godet de lavage principal – entièrement rempli)	Godet de lavage principal entièrement rempli
<b>Rinçage rapide</b> (Quick Rinse)	Pas de détergent	Pas de détergent	Pas de détergent	Pas de détergent

\***Remarque:** Dans le cas d'eau très dure, le détergent seul peut ne pas être suffisant. Il est recommandé d'ajouter un adoucisseur d'eau pour améliorer la qualité de l'eau et les performances de lavage. Essayer d'ajouter du détergent au commencement de la portion lavage principal du cycle. En règle générale, utiliser une cuillère à thé pour chaque grain au-dessus de 12. Déverrouiller la porte, ouvrir lentement et ajouter du détergent au fond de la cuve. Fermer la porte pour la verrouiller et le lave-vaisselle continuera le cycle.

## Distributeurs et détergents (suite)

### Produit de rinçage

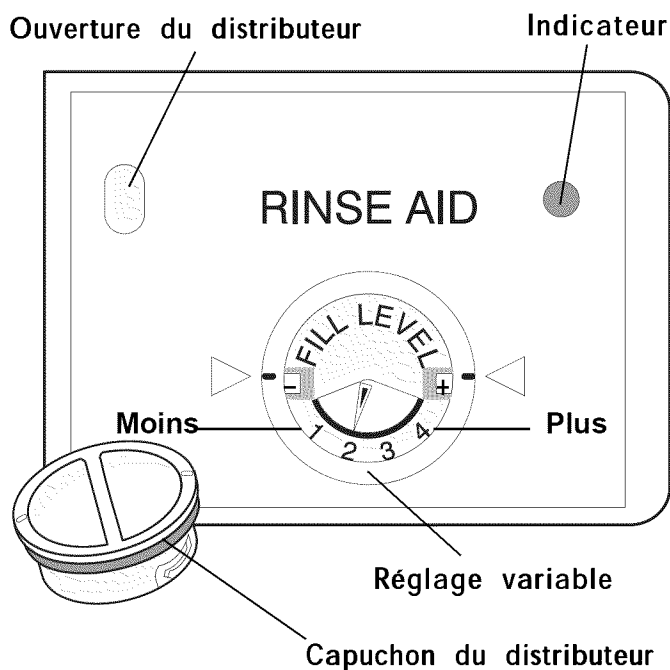
Les produits de rinçage améliorent le séchage et réduisent les taches et les films d'eau. L'eau glisse sur la vaisselle et ne forme pas de gouttelettes qui s'accrochent en laissant des taches sur les ustensiles.

Le distributeur est situé près du godet à détergent et libère automatiquement une quantité précise de produit lors du rinçage final. En cas de marques et de mauvais séchage, augmenter la quantité de produit de rinçage en tournant le bouton sur un chiffre plus élevé. Le bouton est situé sous le capuchon du distributeur. L'indicateur est foncé lorsque le distributeur est plein et clair lorsqu'il est temps de le remplir.

Pour ajouter le produit de rinçage liquide, tourner le capuchon du distributeur d'1/4 de tour à gauche et le sortir. Verser le produit de rinçage jusqu'à ce que le liquide arrive au niveau de remplissage indiqué. Remettre le capuchon.

Ne pas trop remplir, ceci risquerait d'entraîner un excès de mousse. Essuyer tout produit renversé avec un linge humide.

**Le distributeur contient du liquide pour environ 35 à 140 lavages selon le réglage choisi.**



L'option de séchage à chaud AIR DRY combinée à un agent de rinçage, améliorera les performances de séchage de votre lave-vaisselle. La consommation d'énergie nécessaire à l'utilisation de l'option de séchage à chaud AIR DRY coûte moins de quelques cents par cycle. Vous pouvez choisir de ne pas utiliser l'option de séchage à chaud AIR DRY. Cependant, certains articles de votre vaisselle ne seront pas tout à fait secs à la fin du cycle.

## Facteurs affectant le rendement

### Pression de l'eau

La pression de l'eau doit être entre 103,5-837 kpa (15 et 120 livres par pouce carré). Il se produit le plus souvent une baisse de pression d'eau lors des périodes de haute consommation, comme quand la machine à laver le linge ou les douches fonctionnent. Pour déterminer si la pression de l'eau est suffisante, mettre un contenant de 2 litres (2 pintes) sous le robinet d'eau chaude le plus près du lave-vaisselle ouvert à fond. Il devrait se remplir en moins de 14 secondes. S'assurer que tous les autres robinets sont fermés pendant le test.

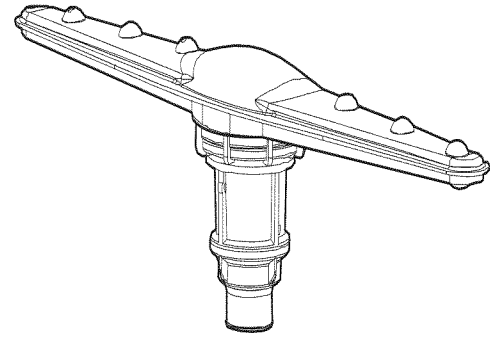
### Température de l'eau

L'eau chaude est nécessaire pour de meilleurs résultats de lavage et de séchage. Pour donner des résultats satisfaisants, l'eau arrivant dans le lave-vaisselle doit avoir une température d'au moins 120°F (49°C).

Pour vérifier la température de l'eau arrivant dans le lave-vaisselle:

- Tournez le robinet d'eau chaude le plus proche du lave-vaisselle pendant quelques minutes pour dégager l'eau fraîche des tuyaux.
- Tenez un thermomètre de bonbons ou à viande sous l'eau pour vérifier la température.
- Si la température est au-dessous de 120°F (49°C), demandez à une personne qualifiée d'augmenter le réglage du thermostat.

**Important: Avant de démarrer un cycle de lavage, faites couler l'eau chaude pour dégager l'eau fraîche du tuyau d'arrivée d'eau.**



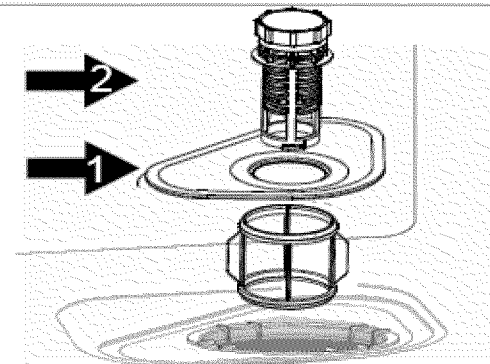
### Nettoyage du bras de lavage

Le bras de lavage doit être nettoyé afin de s'assurer que les gicleurs et les paliers ne sont pas obstrués par les produits chimiques contenus dans l'eau dure.

Pour enlever le bras de jet tenez simplement le bras de jet en place et tournez l'écrou de retenue dans le sens des aiguilles d'une montre et tirez vers le haut sur le bras de jet enlevant l'axe.

Pour nettoyer les gicleurs et les paliers du bras de lavage, utilisez de l'eau tiède savonneuse et une brosse souple.

Remplacer le bras spray a simplement placé le bras de jet sur l'axe, prend l'écrou de retenue et le tourne contre dans le sens des aiguilles d'une montre jusqu'à ce qu'il ait fermé à clef en place.



### Nettoyage du filtre

Pour l'exécution optima, votre lave-vaisselle est équipé d'un ensemble filtre comportant un filtre principal, une tasse et le filtre fin comme montré dans le schéma ci-dessus. Tous les fragments de nourriture sont enlevés du lave-vaisselle pendant que l'eau traverse l'ensemble filtre. Chaque pièce de l'assemblée devrait être nettoyée souvent pour s'assurer que tous les fragments de nourriture sont enlevés des plats. Pour enlever des fragments de nourriture de l'ensemble filtre, les filtres doivent être enlevés du lave-vaisselle. Pour enlever les filtres, tirez vers le haut sur le bord du filtre principal. Après,

## ⚠ ATTENTION

### Risques de dommage matériel

Des températures de gel peuvent provoquer des fuites de conduites d'eau. Assurez-vous que toutes les conduites d'eau au lave-vaisselle et ses canalisations intérieures sont protégées.

Dans le cas contraire, il pourrait résulter des dommages matériels.

## ⚠ AVERTISSEMENT



### Risques de brûlure

Laissez refroidir l'élément chauffant avant de nettoyer l'intérieur.

Dans le cas contraire il pourrait en résulter des brûlures.

# Entretien Et Nettoyage

## Nettoyage du filtre cylindrique

Le filtre cylindrique est conçu pour recueillir de gros débris comme du verre cassé, des os et des noyaux. Ce filtre doit être nettoyé pour maximiser les performances de lavage. Enlevez le panier inférieur, tournez le filtre cylindrique comme indiqué sur l'illustration, puis retirez le filtre. Ensuite, videz et nettoyez ce dernier en le rinçant à l'eau courante, puis remettez-le en place.

## Protection hivernale

Un lave-vaisselle laissé à un endroit non chauffé doit être protégé du gel. Demandez à une personne qualifiée de faire ce qui suit:

### De débrancher les services d'alimentation:

1. Fermez le courant électrique au lave-vaisselle à la source d'alimentation en retirant les fusibles ou fermant le disjoncteur de circuit.
2. Fermez l'alimentation d'eau.
3. Placez un récipient sous le robinet d'arrivée d'eau. Débranchez la canalisation d'eau du robinet d'arrivée d'eau et vidangez dans le récipient.
4. Déconnectez le tuyau de vidange de la pompe et vidangez l'eau dans le récipient.

### Pour rétablir le service:

1. Rebranchez l'eau, le tuyau de vidange et le courant électrique.
2. Ouvrez l'eau et le courant électrique.
3. Remplir les deux distributeurs de détergent et faire fonctionner le lave-vaisselle en cycle NORMAL WASH.
4. Vérifiez les connexions pour assurer qu'elles sont dénuées de fuite.



## Solutions aux problèmes d'utilisation courante

Avant de faire appel à un technicien, consulter la liste qui suit. Cela peut épargner temps et argent. Cette liste porte sur des troubles communs qui ne sont pas causés par un défaut de fabrication ni par un matériau défectueux.

### Taches résiduelles d'aliments sur la vaisselle

- Sélectionnez un autre cycle pour un lavage plus long.
- Vérifiez la section chargement des paniers pour un chargement approprié—Évitez d'emboîter les articles.
- Il est possible que la pression d'eau de la résidence soit trop basse, elle doit être de 20 à 120 livres par pouce carré (psi).
- Vérifiez la température de l'eau. Elle doit être d'un minimum de 120°F (49°C). (Voir Facteurs affectant la performance.)
- Sélectionner l'option HI-TEMP WASH.
- Vérifiez la dureté de l'eau. Pour l'eau très dure, il peut s'avérer nécessaire d'installer un adoucisseur d'eau. (Voir Tableau de détersifs.)
- Utilisez du détersif frais, en bon état.
- Assurez-vous que l'entonnoir du panier supérieur n'est pas obstrué.
- Assurez-vous qu'aucun article ne bloque les bras gicleurs, les empêchant de tourner.

### Vaisselle mal séchée

- Sélectionnez l'option séchage à chaud.
- Assurez-vous que le distributeur d'agent de rinçage est rempli.
- Augmentez la quantité d'agent de rinçage. (Voir Agent de rinçage.)
- Vérifiez la température de l'eau. Assurez-vous qu'elle est à un minimum de 120°F (49°C).
- Vérifiez si le chargement est approprié et évitez d'emboîter les articles.
- Il peut s'avérer nécessaire de sécher les articles en plastique à la main.
- Les tasses munies d'un fond concave retiennent l'eau.

### Rainures

- L'utilisation de trop de détersif dans l'eau douce ou adoucie forme une pellicule impossible à enlever.
- Ajustez la quantité de détersif en fonction de la dureté de l'eau. (Consultez le tableau des détersifs.)
- Abaissez la température de l'eau.
- Sélectionnez l'option séchage à froid.

### Détersif demeuré dans les godets

- Il est possible que le détersif soit vieux. Jetez-le et utilisez du détersif frais, en bon état.
- Assurez-vous que le giclement de l'eau peut atteindre le distributeur.

- Assurez-vous que le cycle est bien complété.
- Assurez-vous qu'aucun article n'entrave l'ouverture du distributeur de détersif.

### Verrerie/coutellerie tachée ou revêtue de pellicule

- Vérifiez la dureté de l'eau. Pour l'eau très dure, il peut s'avérer nécessaire d'installer un adoucisseur d'eau. (Voir Tableau de détersifs.)
- Il est possible que la température de l'eau soit basse. Évitez les températures trop basses ou trop élevées. (Voir Facteurs affectant la performance.)
- Évitez de surcharger et de charger d'une manière inappropriée. (Voir préparation et chargement de vaisselle.)
- Utilisez du détersif frais, en bon état. Le vieux détersif est inefficace.
- Assurez-vous que le distributeur d'agent de rinçage est rempli.
- Assurez-vous que la quantité de détersif adéquate au cycle sélectionné est utilisée. Vérifiez également le niveau de phosphate. (Voir Distributeur de détersif.)
- Il est possible que la pression d'eau de la résidence soit trop basse, elle doit être de 20 à 120 livres par pouce carré (psi).

### Vaisselle ébréchée

- Chargez avec précaution et ne surchargez pas. (Voir préparation et chargement de vaisselle.)
- Placez les articles délicats dans le panier supérieur.
- Placez les verres sécuritairement contre les tiges et non par-dessus.
- Chargez les articles de manière à ce qu'ils soient solidement fixés et ne se déplacent pas au moment de pousser et de tirer les paniers. Poussez et tirez lentement les paniers.
- Veillez à ce que les grands verres et verres à pied ne touchent pas le haut de la cuve lorsque le panier est poussé à l'intérieur.
- La fine porcelaine et le cristal doivent être lavés à la main.

### Vapeur aux orifices de ventilation

- De la vapeur d'eau s'échappe par les orifices de ventilation pendant les étapes de lavage et/ou de séchage du cycle. Ceci est normal.

## Solutions aux problèmes d'utilisation courante (suite)

### Vaisselle tachée ou décolorée

- Le thé et le café peuvent tacher les tasses. Enlevez les taches à la main avec une solution d'une 1/2 tasse de javelisant (120 ml) et d'une pinte d'eau tiède. Rincez à fond.
- Les dépôts de fer dans l'eau peuvent former une pellicule jaune ou brune. Un filtre spécial installé dans la conduite d'alimentation d'eau corrigera la situation. (Voir Enlever les taches et pellicule.)
- Les ustensiles en aluminium peuvent laisser des traces grises/noires lorsqu'ils se frottent contre les autres articles. Chargez correctement.
- Les aliments à haute teneur en acide peuvent décolorer l'acier inoxydable et les plastiques s'ils ne sont pas nettoyés pour une longue période de temps. Utilisez le cycle rinçage/mise en attente ou rincez à la main si vous ne démarrez pas immédiatement le lave-vaisselle.
- Le mélange d'ustensiles en acier inoxydable et en argent dans le panier à coutellerie peut occasionner des piqûres sur les lames en acier inoxydable. Évitez d'entremêler l'argent et l'acier inoxydable.

### Le lave-vaisselle fuit

- Utilisez seulement du détergent frais, en bon état conçu pour lave-vaisselle automatique. Mesurez le détergent attentivement. Essayez une marque différente.
- Tout agent de rinçage renversé peut causer de la mousse et entraîner un débordement. Essayez tout renversement avec un chiffon humide.
- Vérifiez que le lave-vaisselle est à niveau. (Voir Instructions d'installation.)

### Bruits normaux que vous entendrez

- Les bruits normaux comprennent le remplissage d'eau, la circulation de l'eau et les bruits du moteur.
- Il y a un changement de son caractéristique lorsque l'action de lavage passe du bras gicleur inférieur au bras gicleur intermédiaire. Ceci est normal puisque chaque bras gicleur a son propre son.
- Il est normal que le lave-vaisselle fasse une pause (aucun son) lorsque l'action de lavage passe du bras gicleur inférieur au bras intermédiaire.

### Le cycle dure trop longtemps

- Est-ce que le cycle est en chauffage d'eau différé?
- Est-ce que l'option démarrage différé a été sélectionnée?
- L'option de désinfection a-t-elle été sélectionnée ?

### Le lave-vaisselle ne fonctionne pas

- Vérifiez si le disjoncteur s'est déclenché ou si le fusible a sauté.

- Assurez-vous que l'alimentation en eau est ouverte.
- Vérifiez si le cycle est réglé correctement. (Voir Instructions de fonctionnement.)
- Est-ce que le lave-vaisselle est réglé à l'option mise en marche différée?
- Assurez-vous que la porte est bien fermée et verrouillée.

### Le lave-vaisselle ne vidange pas correctement

- Si l'appareil est branché à un broyeur à déchets, assurez-vous qu'il est vide.
- Vérifiez si le raccord amovible a été enlevé à l'intérieur du tuyau d'arrivée du broyeur de déchets.
- Vérifiez si le tuyau de vidange est plié.
- Assurez-vous que le cycle est terminé, et non pas en période de pause.

### Le lave-vaisselle ne se remplit pas d'eau

- Est-ce que l'alimentation en eau est ouverte?
- Vérifier le disjoncteur résidentiel ou la boîte à fusibles.
- S'assurer que le tuyau d'admission n'est pas plié.
- Est-ce que le trop-plein se déplace librement de haut en bas? (Voir section trop-plein.)
- Le niveau d'eau normal de remplissage du lave-vaisselle ne dépasse pas le bas des attaches de l'élément chauffant.

### Le lave-vaisselle dégage une odeur

- La vaisselle sale laissée trop longtemps dans le lave-vaisselle peut générer une odeur. Utilisez le cycle Rinçage/Mise en attente.
- Une odeur de "neuf" se dégagera une fois le lave-vaisselle installé. Ceci est normal.
- Vérifiez si l'unité vidange correctement. (Voir le lave-vaisselle ne vidange pas correctement.)

### Taches à l'intérieur de la cuve

- Le lavage d'une grande quantité de vaisselle comprenant des résidus de sauce tomate peut donner une apparence rose/orange. Ceci n'affectera pas la performance et s'estompera graduellement avec le temps. L'utilisation de l'option HEAT DRY OFF diminuera la formation de taches.

### Enlever les taches et pellicule

L'eau dure peut causer un dépôt de calcaire à l'intérieur du lave-vaisselle. La vaisselle et les verres peuvent également avoir des taches et pellicule pour plusieurs raisons. (Voir la section Verrerie/coutellerie tachée ou revêtue de pellicule.) Pour enlever le dépôt de calcaire, les taches et la pellicule, nettoyez en suivant les étapes ci-dessous:

## Solutions aux problèmes d'utilisation courante (suite)

1. Chargez la vaisselle et les verres propres comme d'habitude. Ne mettez aucun ustensile de métal ou d'argenterie.
2. N'ajoutez pas de détergent.
3. Sélectionnez l'option HEAVY WASH. Fermez et verrouillez la porte.
4. Laissez le lave-vaisselle fonctionner pendant 25 minutes pour arriver au cycle de lavage principal.
5. Déverrouillez la porte, ouvrez-la et versez 2 tasses de vinaigre blanc au fond du lave-vaisselle.
6. Fermez la porte et laissez le cycle se terminer.

**Remarque:** Si ces conditions ne s'améliorent pas, il faut considérer un adoucisseur d'eau résidentiel.

## Contrats de protection principaux

Félicitations! Vous avez fait un bon achat. Votre nouvel appareil Kenmore® est conçu et fabriqué dans le but de vous offrir plusieurs années d'utilisation sans tracas. Cependant, comme tout appareil, il peut nécessiter un entretien préventif ou des réparations occasionnelles. C'est pourquoi un contrat de protection principal peut vous permettre d'épargner de l'argent et vous éviter des problèmes.

Le contrat de protection principal contribue également à prolonger la durée de vie de votre nouvel appareil. Voici ce que couvre le contrat\* :

- ☑ **Les pièces et la main-d'oeuvre requises pour le fonctionnement adéquat de l'appareil dans des conditions d'utilisation normales**, pas seulement pour les défauts. Notre couverture vous offre beaucoup plus que la simple garantie du produit. Aucune franchise, aucune exclusion de défaillance fonctionnelle, une véritable protection.
- ☑ **Un service professionnel offert** par une équipe de plus de 10 000 techniciens de service Sears autorisés, ce qui signifie que votre appareil sera confié à une personne de confiance.
- ☑ **Des appels de service** illimités et un service à la grandeur du pays, à tout moment, aussi souvent que vous le désirez.
- ☑ **La garantie « anti-citron »**, vous assurant le remplacement de l'appareil couvert si quatre défaillances ou plus surviennent à l'intérieur de douze mois.
- ☑ **Le remplacement** de l'appareil couvert s'il ne peut être réparé.
- ☑ **Une vérification** d'entretien préventive annuelle sur demande et sans frais.

- ☑ **Un service d'aide téléphonique rapide, appelé « Résolution rapide »**, qui vous permet de bénéficier du soutien téléphonique d'un représentant
- ☑ **Sears pour tous les produits.** Nous sommes votre « guide d'utilisation parlant ».
- ☑ **Une protection contre les surtensions** pour les dommages électriques causés par des fluctuations électriques.
- ☑ **Une couverture annuelle de 250 \$** pour la perte d'aliments à la suite de toute détérioration d'aliments résultant d'une défaillance mécanique d'un réfrigérateur ou d'un congélateur couvert.
- ☑ **Le remboursement de la location**, si la réparation de l'appareil couvert prend plus de temps que prévu.
- ☑ **Un rabais de 10 %** sur le prix régulier de tout service de réparation non couvert et les pièces installées qui en découlent.

Une fois le contrat acheté, un simple appel téléphonique suffit pour obtenir un service de réparation. Vous pouvez téléphoner à toute heure du jour ou de la nuit, ou prendre rendez-vous en ligne pour une réparation.

Le contrat de protection principal est un achat sans risque. Si, pour quelque raison que ce soit, vous annulez le contrat durant la période de garantie du produit, vous serez remboursé en totalité. En cas d'annulation après la période de garantie du produit, vous recevrez un remboursement calculé au prorata. Procurez-vous votre contrat de protection principal dès aujourd'hui!

Certaines restrictions et exclusions s'appliquent. Si vous êtes aux États-Unis et que vous désirez connaître les prix et obtenir de plus amples renseignements, téléphonez au 1 800 827-6655.

\* Au Canada, la couverture de certains articles peut varier. Pour connaître tous les détails, communiquez avec Sears Canada au 1 800 361-6665.

### Service d'installation Sears

Pour bénéficier du service d'installation professionnel de Sears pour électroménagers, ouvre-portes de garage, chauffe-eau et autres appareils domestiques importants, aux États-Unis et au Canada, téléphonez au 1 800 4-MY-HOME.

# Get it fixed, at your home or ours!

## Your Home

For troubleshooting, product manuals and expert advice:



[www.managemylife.com](http://www.managemylife.com)

For repair – **in your home** – of **all** major brand appliances, lawn and garden equipment, or heating and cooling systems, **no matter who made it, no matter who sold it!**

For the replacement parts, accessories and owner's manuals that you need to do-it-yourself.

For Sears professional installation of home appliances and items like garage door openers and water heaters.

**1-800-4-MY-HOME<sup>®</sup>** (1-800-469-4663)

Call anytime, day or night (U.S.A. and Canada)

[www.sears.com](http://www.sears.com)    [www.sears.ca](http://www.sears.ca)

## Our Home

For repair of carry-in items like vacuums, lawn equipment, and electronics, call anytime for the location of your nearest

**Sears Parts & Repair Service Center**

**1-800-488-1222** (U.S.A.)

[www.sears.com](http://www.sears.com)

**1-800-469-4663** (Canada)

[www.sears.ca](http://www.sears.ca)

To purchase a protection agreement on a product serviced by Sears:

**1-800-827-6655** (U.S.A.)

**1-800-361-6665** (Canada)

Para pedir servicio de reparación a domicilio, y para ordenar piezas:

**1-888-SU-HOGAR<sup>®</sup>**

(1-888-784-6427)

[www.sears.com](http://www.sears.com)

Au Canada pour service en français:

**1-800-LE-FOYER<sup>MC</sup>**

(1-800-533-6937)

[www.sears.ca](http://www.sears.ca)

The Sears logo, featuring the word "Sears" in a large, stylized, serif font with a shadow effect.

® Registered Trademark / <sup>TM</sup> Trademark of KCD IP, LLC in the United States, or Sears Brands, LLC in other countries

© Marca Registrada / <sup>TM</sup> Marca de Fábrica de KCD IP, LLC en Estados Unidos, o Sears Brands, LLC in otros países

<sup>MC</sup> Marque de commerce / <sup>MD</sup> Marque déposée de Sears Brands, LLC