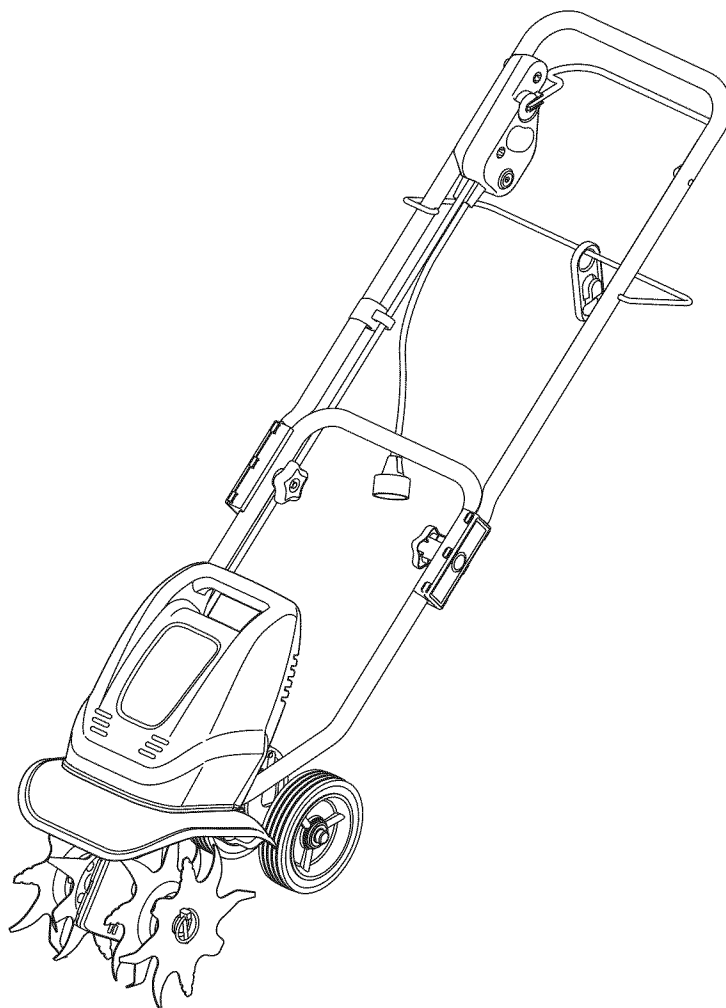


# Operator's Manual



## Electric CULTIVATOR

Model No. 316.292631



- SAFETY
- ASSEMBLY
- OPERATION
- MAINTENANCE
- PARTS LIST
- ESPAÑOL, P. 13

**CAUTION:** Before using this product, read this manual and follow all safety rules and operating instructions.


Sears Brands Management Corporation, Hoffman Estates, IL 60179 U.S.A.  
Visit our website: [www.craftsman.com](http://www.craftsman.com)

# RULES FOR SAFE OPERATION

## TABLE OF CONTENTS


Safety Rules . . . . .	2
Warranty . . . . .	4
Know Your Unit . . . . .	5
Assembly Instructions . . . . .	6
Starting/Stopping Instructions . . . . .	8
Operating Instructions . . . . .	9
Maintenance and Repair Instructions . . . . .	10
Troubleshooting Chart . . . . .	11
Specifications . . . . .	12
Parts List . . . . .	30
Service Numbers . . . . .	Back Cover

All information, illustrations, and specifications in this manual are based on the latest product information available at the time of printing. We reserve the right to make changes at any time without notice.




**CALIFORNIA PROPOSITION 65**  
**WARNING:** Battery posts, terminals and certain finished components contain lead, lead compounds and chemicals known to the State of California to cause cancer and birth defects or other reproductive harm. Wash hands after handling.

## • IMPORTANT SAFETY INSTRUCTIONS •



**WARNING:** When using electric gardening appliances, basic safety precautions should always be followed to reduce the risk of fire, electric shock, and personal injury, including the following:

### TRAINING




**WARNING:** When using the unit, you must follow the safety rules. Please read these instructions before operating the unit in order to ensure the safety of the operator and any bystanders. Please keep these instructions for later use.

- Read, understand, and follow all instructions on the machine and in the manual(s) before attempting to assemble and operate. Be thoroughly familiar with the controls and the proper use of the cultivator. Keep this manual in a safe place for future and regular reference and for ordering replacement parts.
- Be familiar with all controls and their proper operation. Know how to stop the machine and disengage tines quickly.
- Never allow children under 14 years old to operate this machine. Children 14 years old and over should read and understand the operation instructions and safety rules in this manual and should be trained and supervised by a parent.
- Never allow adults to operate this machine without proper instruction.
- Keep bystanders, helpers, pets, and children at least 50 feet from the machine while it is in operation. Stop machine if anyone enters the area.

### PREPARATION

- Thoroughly inspect the area where the equipment is to be used. Remove all stones, sticks, wire, and other foreign objects which could be tripped over and cause personal injury.



**WARNING:** To reduce risk of electric shock use only UL Listed extension cord suitable for outdoor use, such as Type SW-A, SOW-A, STW-A, STOW-A, SJW-A, SJOW-A, SJTW-A, or SJTOW-A.


- Extension Cord—Make sure your extension cord set is in good condition, is heavy enough to carry the current your cultivator will draw.

MINIMUM WIRE SIZE FOR EXTENSION CORDS FOR 120 VOLT APPLIANCES USING 6-10 AMPS				
Cord Length (ft.)	25	50	100	150
Wire Size (AWG)	18	16	14	12

If in doubt, use the next heavier gage cord. The smaller the gage number, the heavier the cord. An undersized cord will cause a drop in line voltage resulting in loss of power and overheating. To reduce the likelihood of disconnection of the extension cord set from the cultivator, be sure to use the cord restraint provided.

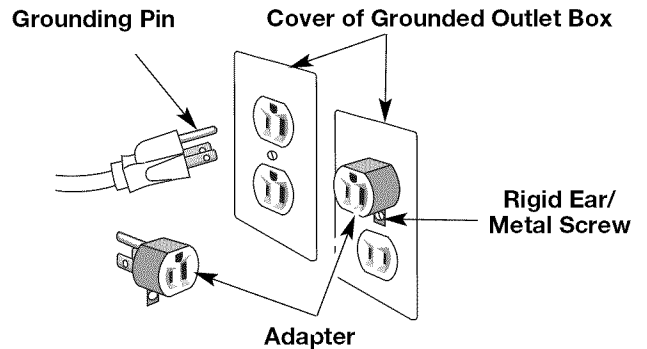
- If extension cord is damaged in any manner while plugged in, disconnect extension cord from house receptacle.

- Inspect cultivator cord periodically, and if damaged, have it repaired by an authorized service facility. Inspect extension cord periodically and replace if damaged.



**WARNING:** Do not change the plug on the cultivator in any way.

- Dress properly. Wear sturdy, rough-soled work shoes and close-fitting slacks and shirts. Loose fitting clothes or jewelry can be caught in movable parts. Never operate this machine in bare feet or sandals. Use of rubber gloves is recommended when working outdoors. Wear protective hair covering to contain long hair.
- Wear safety glasses or goggles when operating this unit. Wear a face or dust mask if the operation is dusty. Such protective equipment is available from your authorized service dealer or retailer.
- Use the right tool. Do not use cultivator for any job except that for which it is intended.



- Grounding Instructions—The cultivator should be grounded while in use to reduce the risk of electric shock to the operator. The cultivator is equipped with a three-conductor cord and a three-prong grounding plug to fit the proper grounding receptacle. The green (or green and yellow) wire conductor in the cord is the grounding wire. Never connect the green (or green and yellow) wire to a live terminal. The green-colored rigid ear, lug, or the like, must be connected to a permanent ground, such as a properly grounded outlet box.
- Use only three-wire outdoor extension cords that have three-prong grounding plugs and grounding receptacles that accept the cultivator's plug.
- Keep handle dry, clean, and free from oil and grease.
- Fuses—The cultivator should be operated on a 15 or 20 AMP circuit. If difficulty in starting is experienced with a standard 15 AMP fuse or circuit breaker or the cultivator's built-in overload protection switch frequently trips, contact your nearest authorized service location. Do not use a higher rated fuse without consulting your power company.
- Ground Fault Circuit Interrupter (GFCI) protection should be provided on the circuit(s) or outlet(s) to be used for the cultivator. Receptacles are available having built-in GFCI

## RULES FOR SAFE OPERATION

protection and may be used for this measure of safety.

- Never attempt to make any adjustments while motor is running.

### OPERATION


- Avoid dangerous environment. Don't use cultivator in damp or wet locations.
- Don't use the cultivator in the rain.
- Do not operate cultivator on excessively steep slopes.
- Avoid unintentional starting. Don't carry plugged-in cultivator with your hands/fingers on the motor starting controls.
- Do not abuse cord. Never pull or carry the cultivator by cord or yank the cord to disconnect it from the receptacle. Keep cord away from heat, oil, and sharp edges.
- If extension cord is damaged in any manner while plugged in, disconnect extension cord from house receptacle.
- Do not put hands or feet near rotating parts. Contact with the rotating parts can amputate fingers, hands, and feet.
- Do not operate machine while under the influence of alcohol or drugs.
- Only operate cultivator in daylight or good artificial light. Don't overreach. Keep proper footing and balance and a firm hold on the handle at all times.
- Stay alert. Watch what you are doing. Use common sense. Do not operate cultivator when you are tired.
- Don't force cultivator. It will do a better job and with less likelihood of a risk of injury if operated at the rate for which it was designed.
- Keep bystanders, helpers, pets, and children at least 50 feet from the machine while it is in operation. Stop machine if anyone enters the area.
- Be careful when cultivating in hard ground. The tines may catch in the ground and propel the cultivator forward. If this occurs, let go of the handle and do not restrain the machine.
- Never operate the machine at high transport speeds on hard or slippery surfaces.
- Exercise caution to avoid slipping or falling.
- Look down, behind, and use care when pulling machine towards you.
- Start the motor according to the instructions found in this manual and keep feet well away from the tines at all times.
- After striking a foreign object, stop the motor and disconnect the power cord to prevent accidental starting. Thoroughly inspect the machine for any damage. Repair the damage before starting and operating.
- Stop the motor, disconnect the power cord to prevent accidental starting and wait until the tines come to a complete stop before unclogging the tines, making any adjustments, or inspections.
- Use caution when cultivating near fences, buildings and underground utilities. Rotating tines can cause property damage or personal injury.

- Do not overload machine capacity by attempting to cultivate soil too deep or too fast of a rate.
- If the machine should start making an unusual noise or vibration, stop the motor and disconnect the power cord to prevent accidental starting. Inspect machine thoroughly for damage. Repair any damage before starting motor and operating.
- Keep all shields, guards and safety devices in place and operating properly.
- To avoid an electrical shock hazard, never push or pull the cultivator over the electrical cord while operating.
- When picking up the cultivator, use the handle provided. Don't grasp the tines when picking up or holding the cultivator. Never pick up or carry machine while the motor is running.
- Use only attachments and accessories approved by the cultivator manufacturer. Failure to do so can result in personal injury and/or damage to your cultivator.
- If situations occur which are not covered in this manual, use care and good judgment.

### MAINTENANCE AND STORAGE



- Never tamper with safety devices. Check their proper operation regularly.
- Check bolts and screws for proper tightness at frequent intervals to keep the machine in safe working condition. Also, visually inspect machine for any damage.
- Before leaving the equipment, changing tine width, cleaning, repairing, making adjustments and the like, stop the motor, disconnect the power cord to prevent accidental starting and make certain the tines and all moving parts have stopped.
- Do not wash cultivator with a hose. Avoid getting water on motor and electrical connections
- Maintain or replace safety and instruction labels, as necessary.
- Follow this manual for safe loading, unloading, transporting, and storage of this machine.
- Always refer to the operator's manual for proper instructions on off-season storage. When not in use, cultivator should be stored indoors in a dry, and high or locked-up place out of the reach of children.
- Maintain cultivator with care. Follow instructions for lubrication and cleaning.
- Check for damaged parts. Before further use, a guard or other part that is damaged should be carefully checked to determine that it will operate properly and perform its intended function. Check alignment of moving parts, binding of moving parts, breakage of parts, mounting, and any other condition that may affect its operation. A guard or other part that is damaged should be properly repaired or replaced by an authorized service center.


### SAVE THESE INSTRUCTIONS

	<b>WARNING:</b> Restrict the use of this power machine to persons who read, understand and follow the warnings and instructions in this manual and on the machine.
---	--

### SAFETY AND INTERNATIONAL SYMBOLS

This operator's manual describes safety and international symbols and pictographs that may appear on this product. Read the operator's manual for complete safety, assembly, operating and maintenance and repair information.

SYMBOL	MEANING
	<ul style="list-style-type: none"> <li>• <b>SAFETY ALERT SYMBOL</b> Indicates danger, warning or caution. May be used in conjunction with other symbols or pictographs.</li> </ul>
	<ul style="list-style-type: none"> <li>• <b>WARNING - READ OPERATOR'S MANUAL</b> Read the operator's manual(s) and follow all warnings and safety instructions. Failure to do so can result in serious injury to the operator and/or bystanders.</li> </ul>

SYMBOL	MEANING
	<ul style="list-style-type: none"> <li>• <b>GARDEN CULTIVATORS - ROTATING TINES CAN CAUSE SEVERE INJURY</b> <b>WARNING:</b> Stop the motor, unplug the extension cord, and allow the tines to stop before removing tines, or before cleaning or performing any maintenance. Keep hands and feet away from rotating tines.</li> </ul>

## WARRANTY STATEMENT

### CRAFTSMAN 2 YEAR FULL WARRANTY

FOR 2 YEARS from the date of purchase, this product is warranted against any defects in material or workmanship. Defective product will receive free repair or free replacement if repair is unavailable.

**For warranty coverage details to obtain repair or replacement, visit the web site: [www.craftsman.com](http://www.craftsman.com)**

**This warranty covers ONLY defects in material and workmanship. Warranty coverage does NOT include:**

- Expendable items that can wear out from normal use within the warranty period, such as blades, tines or belts.
- Product damage resulting from user attempts at product modification or repair or caused by product accessories.
- Repairs necessary because of accident or failure to operate or maintain the product according to all supplied instructions.

This warranty is void if this product is ever used while providing commercial services or if rented to another person.

This warranty gives you specific legal rights, and you may also have other rights, which vary from state to state.

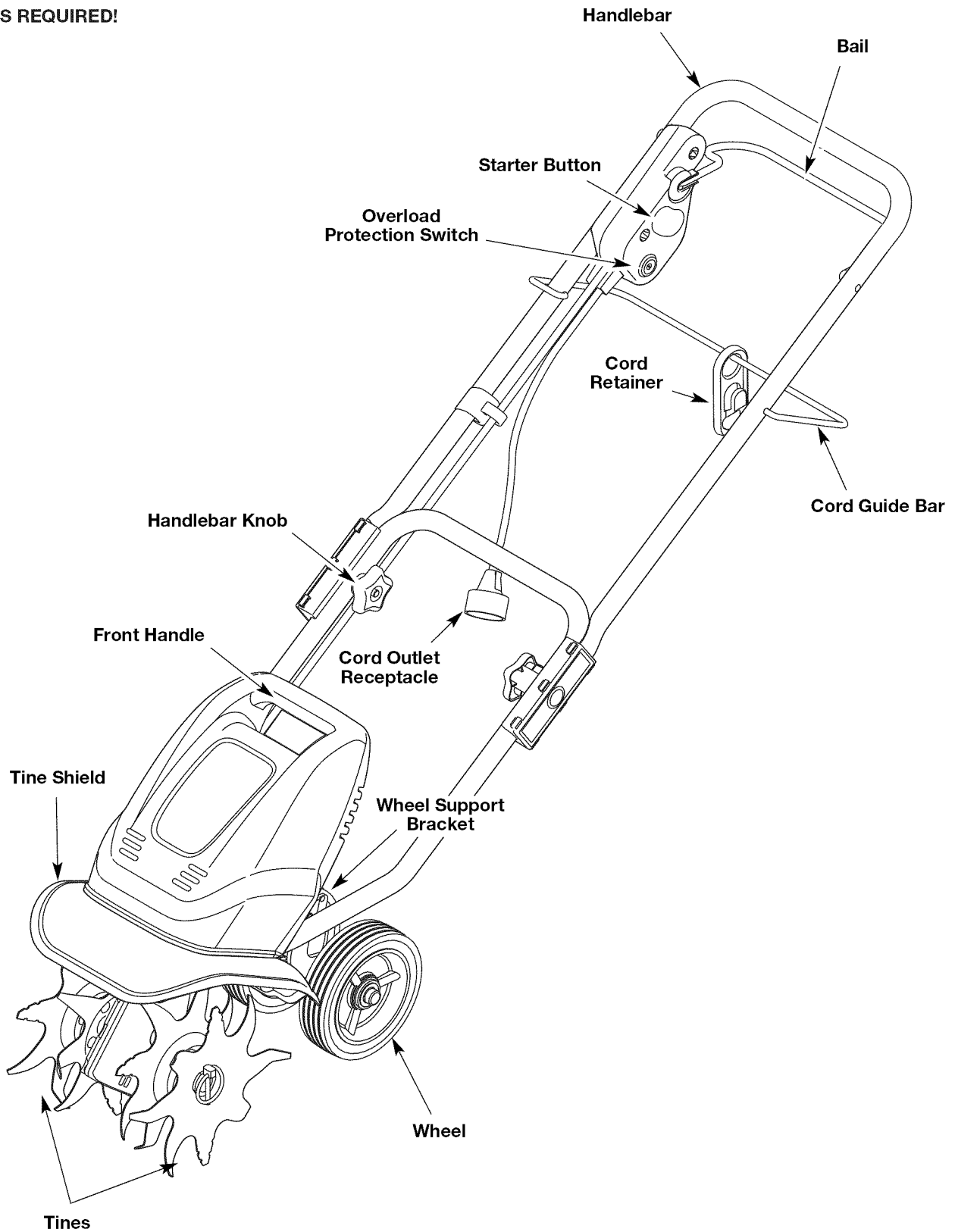
Sears Brands Management Corporation, Hoffman Estates, IL 60179

## KNOW YOUR UNIT

### APPLICATIONS

- Cultivating sod and light to medium soil
- Cultivating in garden areas, around trees, etc.

### NO TOOLS REQUIRED!



## ASSEMBLY INSTRUCTIONS

### ASSEMBLING THE HANDLEBAR



**WARNING:** To prevent serious personal injury, do not connect electric extension cord to unit until fully completing cultivator assembly.

Before you can operate the unit, you must install the handlebar.

1. When you unpack the unit, hold the handlebar in the position shown in Figure 1 and slide it onto the lower bars.
2. Align the holes in the handlebar with the holes in the lower bars and insert the bolts through those holes.
3. Hold the handlebar in place while screwing the knobs onto the bolts (Fig. 2).
4. Tighten the knobs to secure the handlebar in place.

**NOTE:** Do not over-tighten the knobs.

5. Check to make sure the bail is assembled into the switch assembly (Fig. 1, Inset A).

**NOTE:** Take care not to pinch the switch cable when positioning the handlebars.

6. Clip the switch cable to the cable restraint on the lower bar as shown in Figure 1, Inset B.

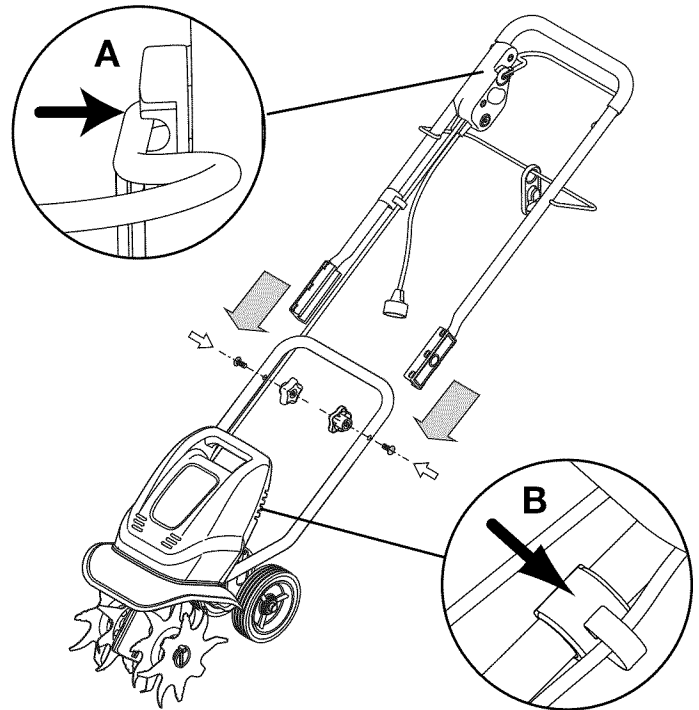


Fig. 1

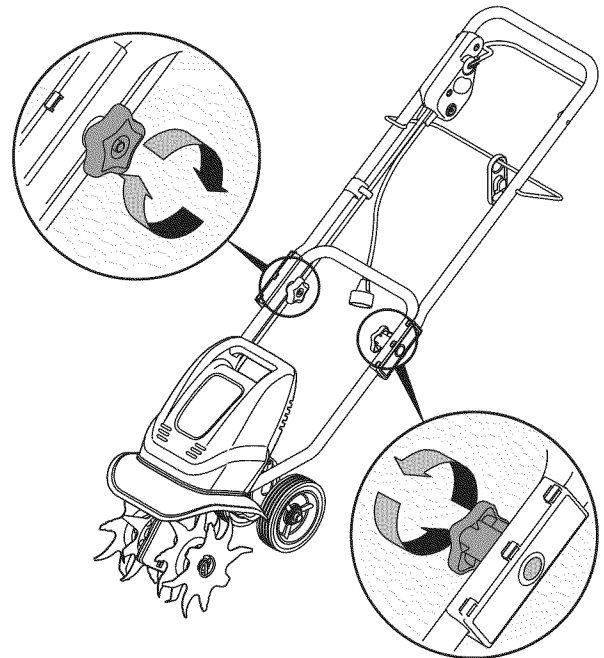


Fig. 2

## ASSEMBLY INSTRUCTIONS

### USING THE CORD RETAINER

There is an extension cord retainer to prevent the extension cord from disconnecting during use. The retainer hangs from the cord guide bar.

**NOTE:** Do not plug the extension cord into the power source receptacle until the cord is connected to the cord retainer and plugged into the unit.

To use the cord retainer:

1. Fold the extension cord in half, forming a tight loop near the receptacle.
2. Push the loop through the bottom hole in the retainer (Fig. 3).

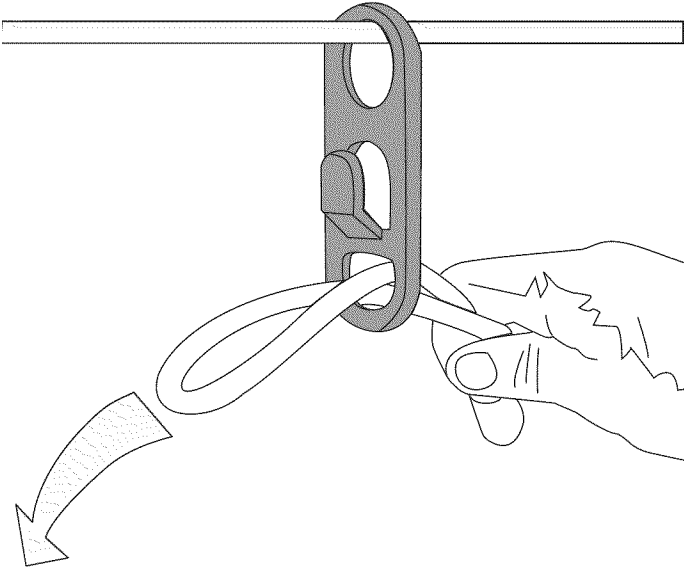


Fig. 3

3. Slide the loop over the retaining clip and pull down until the cord fits snugly (Fig. 4).

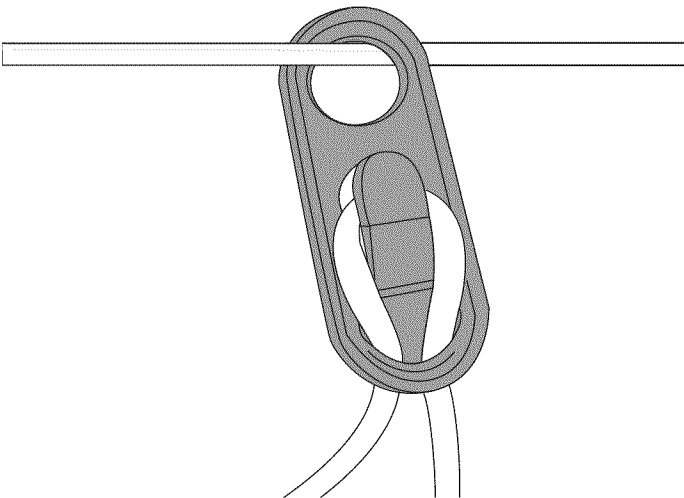


Fig. 4

**NOTE:** Use a UL-approved extension cord. A 100-foot, 14-gauge cord is recommended. A 50-foot, 16-gauge cord is acceptable.

The cord retainer keeps the extension cord safely to the side of the operator by sliding to the left and right on the guide bar as the unit is moved. Connect your extension cord to the unit as shown in Figure 5.

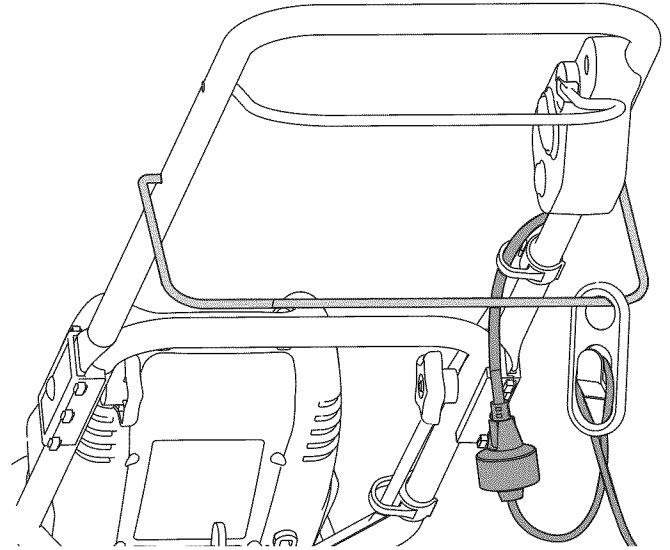


Fig. 5

## STARTING /STOPPING INSTRUCTIONS

### STARTING INSTRUCTIONS



**WARNING:** Avoid accidental starting. Make sure you are in the operating position behind the cultivator when using it. To avoid serious injury, the operator and unit should be in a stable position while starting.

#### Connecting to an Electrical Power Source

**NOTE:** Connect your extension cord to the cultivator as instructed on the previous page prior to plugging your extension cord into an electrical outlet.

1. Plug your extension cord into any convenient (indoor or outdoor) 120-volt, 60-cycle AC grounded outlet or receptacle. Your cultivator will operate satisfactorily on a circuit with a 15 ampere breaker.

**NOTE:** To avoid tripping circuit breakers, select an outlet on a circuit that is not overloaded. Do NOT select an outlet that is on a circuit hosting appliances such as a refrigerator.

2. Stand behind the cultivator, in the operating position.
3. Pivot the cultivator slightly toward the rear, so that its weight is resting on the wheels and the tines are NOT in contact with the ground
4. Depress the (red) starter button and hold it in (Fig. 6, no. 1).

**NOTE:** Starting the cultivator's motor also starts tilling action.

5. While holding the starter button in, pivot the bail upward against the handle bar (Fig. 6, no. 2) to start the motor and engage the tines.

**NOTE:** The cultivator's motor will NOT start if you fail to hold the starter button in while pivoting the bail upward.

6. Release the (red) starter button and grasp the handle and bail together with both hands (Fig. 7).

#### STOPPING INSTRUCTIONS

1. Release the bail.
2. The starter button will pop out, the bail will pivot downward and the motor will stop.

#### OVERLOAD PROTECTION SWITCH

This cultivator is equipped with an overload protection switch to prevent overheating damage to the motor. If the overload protection switch pops out:

1. Release the bail and do NOT re-start the cultivator for at least one minute, allowing for the electric motor time to cool.
2. Press the overload protection switch inward to reset (Fig. 6, no. 3).

If the overload protection switch pops out shortly after resetting:

1. Release the bail and do NOT re-start the cultivator for at least 15 minutes to allow the electric motor extra time to cool.
2. Press the overload protection switch inward to reset.
3. Restart unit.

**NOTE:** If the overload protection switch pops out repeatedly during operation or will not remain in when attempting to reset, contact your Sears Parts and Repair Center to arrange for repair.

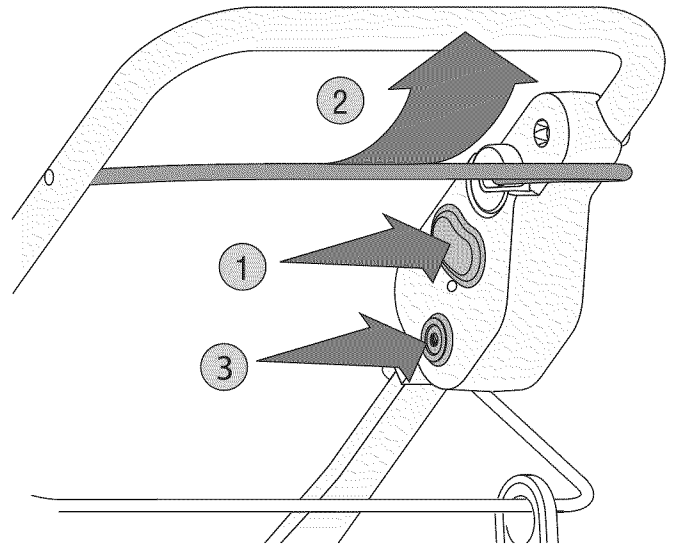


Fig. 6

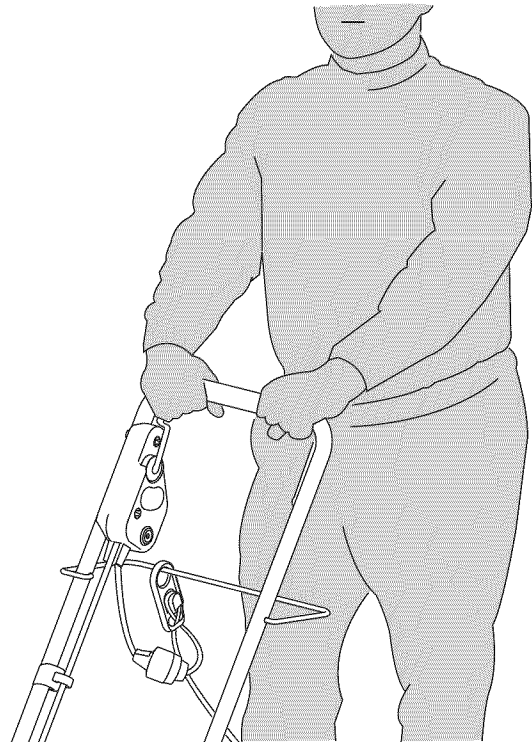


Fig. 7



## OPERATING INSTRUCTIONS

### ADJUSTING THE WHEEL SUPPORT BRACKET



**WARNING:** Avoid accidental starting. Stop motor and disconnect extension cord prior to adjusting the wheel support bracket.

To adjust the wheel support bracket, proceed as follows:

1. Remove cotter pin from the clevis pin and slide pin out of tailpiece bracket (Fig. 8).

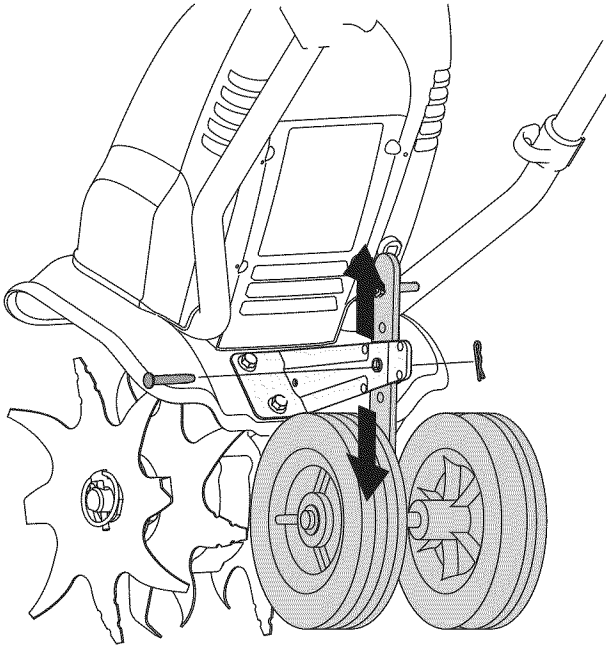


Fig. 8

2. Slide the wheel support bracket up or down in the tailpiece, aligning the holes to the desired height.
3. Place the clevis pin through the hole and secure with a cotter pin.

### USING YOUR CULTIVATOR



**WARNING:** Never pick up or carry the unit while the motor is running. Serious personal injury could result.

1. Move the cultivator to the work area prior to starting the motor. Transport the cultivator by pushing or pulling it along on its wheels. Or you may choose to carry the cultivator by its front handle.
2. Start the cultivator following all steps under *Starting Instructions* on the previous page.
3. With both hands on the upper handle, slowly pivot the cultivator forward until the tines make contact with the soil.



**WARNING:** Avoid risk of injury. Keep the extension cord clear of the tilling path at all times. Do not allow the tines to contact the extension cord.

4. Once the tines are in the ground, cultivate at a moderate pace until you are familiar with the controls and the handling of the cultivator.
- NOTE:** Be aware of the extension cord's location at all times. Never allow the cultivator's tines to come into contact with the extension cord while operating.
5. To adjust the cultivating depth, adjust the wheel support bracket. See *Adjusting The Wheel Support Bracket*.
- NOTE:** For cultivation, a two to three inch depth is desirable. When laying out plant rows, be sure to allow enough width to permit cultivation between the rows.

## MAINTENANCE AND REPAIR INSTRUCTIONS



**WARNING:** To prevent serious injury, never perform maintenance or repairs with unit running. Always service and repair a cool unit.



**WARNING:** Avoid accidental starting. Stop motor and disconnect extension cord prior to performing any maintenance or repairs.

### REMOVING AND REPLACING TINES

Cultivator tines are subject to wear and should be replaced if any signs of damage are present. Tines should also be removed and cleaned after each use.



**WARNING:** Cultivator tines are sharp. Always wear leather gloves to protect your hands when handling tines.

1. Make sure the unit is off.

**NOTE:** It may be necessary to lay the cultivator back in horizontal position on a flat surface with the upper handle touching the ground. It may also be necessary to wash any dirt off the tines and shaft for ease of removal.



**WARNING:** Do not wash cultivator with a hose. Avoid getting water on motor and electrical connections.

2. Remove the click pin from each end of the tine shaft. Slide the tines off of the shaft (Fig 9).
3. Clean and oil the shaft
4. Slide on the new tines with the hobs facing each other (Fig. 9).

- NOTE:** Each tine was a convex site. Make sure that all of the convex sides are facing as shown in Figure 9.
5. Secure the new tines to the shaft with click pins. It may be necessary to wash the dirt off of the tines and shaft for ease of removal.

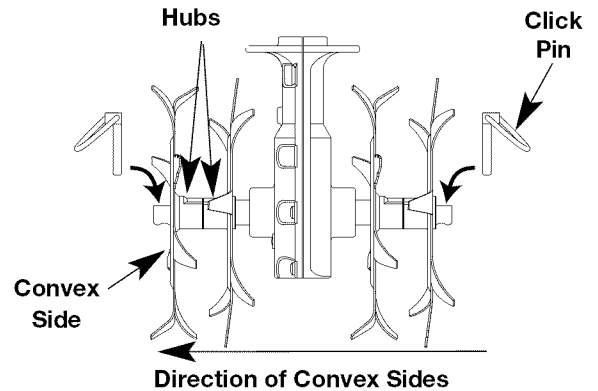


Fig. 9

## TROUBLESHOOTING

### MOTOR WILL NOT START

#### CAUSE

Unit is unplugged

Starter button or bail improperly used

Overload protection switch has popped out

#### ACTION

Make sure that extension cord is securely plugged into cultivator's cord outlet receptacle on one end and a 110V outlet on the opposite end.

Press starter button and hold it in while squeezing bail against the handle.

Depress overload protection switch. Follow starting instructions

## NEED MORE HELP?

You'll find the answer and more on [managemylife.com](http://managemylife.com) – for free!

- Find this and all your other product manuals online.
- Get answers from our team of home experts.
- Get a personalized maintenance plan for your home.
- Find information and tools to help with home projects.



brought to you by Sears

## SPECIFICATIONS

### MOTOR

Engine Type	.AC 120 Volts Electric
Operating RPM	.up to 8,000 rpm
Ignition Switch	.Bail Lock Safety Button
Amperage	.6.5 Amps
Overload Protection	.120 V 5 amp Breaker

### CULTIVATOR\*

Drive Shaft Tube	.Steel Tube
Handle	.Steel Tube
Cultivating Path Width (Maximum)	9 inches (22.86 cm)
Cultivating Depth (Maximum)	6 inches (15.24 cm)
Approximate Weight	27 lb. (12.25 kg)

- \* All specifications are based on the latest product information available at the time of printing. We reserve the right to make changes at any time without notice.

### REPAIR PROTECTION AGREEMENTS

Congratulations on making a smart purchase. Your new Craftsman® product is designed and manufactured for years of dependable operation. But like all products, it may require repair from time to time. That's when having a Repair Protection Agreement can save you money and aggravation.

**Here is what the Repair Protection Plan Agreement includes:**

- Expert service** by our 10,000 professional repair specialists
- Unlimited service** and no charge for parts and labor on all covered repairs
- Product replacement** up to \$1500 if your cover product can not be fixed
- Discount of 10%** from regular price of service and related installed parts not covered by the agreement; also, 10% off regular price of preventive maintenance checks
- Fast help by phone** – we call it **Rapid Resolution** - phone support from a Sears representative. Think of us as a “talking owner’s manual.”

Once you purchase the Repair Protection Agreement, a simple phone call is all that it takes for you to schedule service. You can call anytime day or night, or schedule a service appointment online.

The Repair Protection Agreement is a risk-free purchase. If you cancel for any reason during the product warranty period, we will provide a full refund. Or a prorated refund anytime after the product warranty period expires. Purchase your Repair Protection Agreement today!

**Some limitations and exclusions apply. For prices and additional information call 1-800-827-6655.**

**\*Coverage in Canada varies on some items. For full details call Sears Canada at 1-800-361-6665.**

#### **Sears Installation Service**

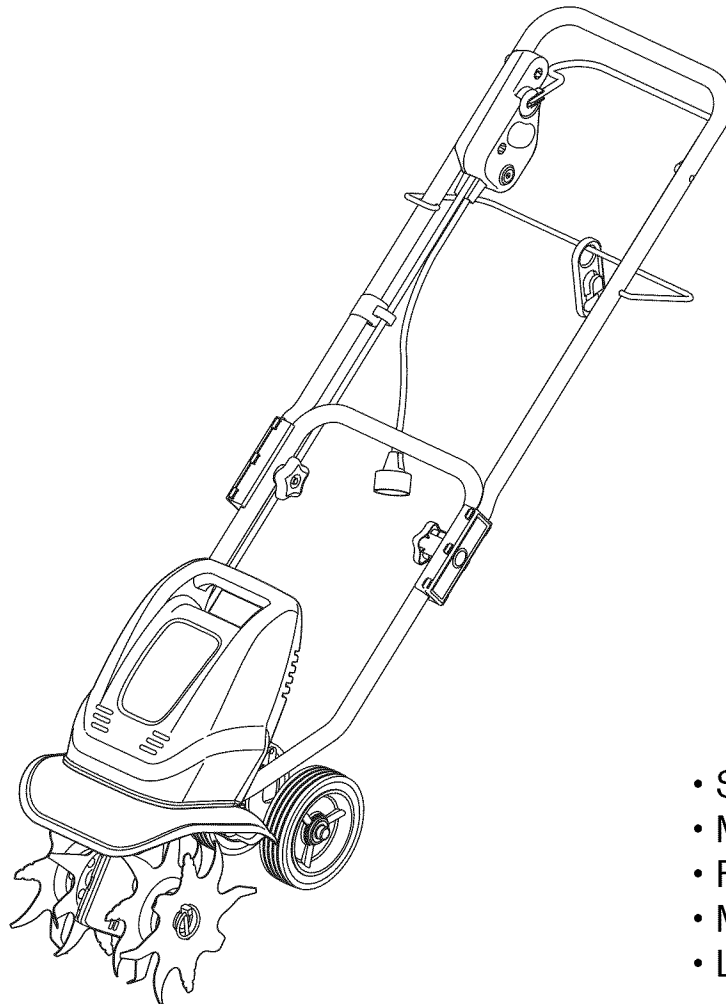
For Sears professional installation of home appliances, garage door openers, water heaters, and other major home items, in the U.S.A. or Canada call **1-800-4-MY-HOME®**.

# Manual del Operador



## CULTIVADORA Eléctrica

Model No. 316.292631



- SEGURIDAD
- MONTAJE
- FUNCIONAMIENTO
- MANTENIMIENTO
- LISTADO DE

**PRECAUCIÓN:** Antes de utilizar este producto, lea este manual y siga todas las reglas de seguridad y las instrucciones de funcionamiento.

Sears Brands Management Corporation, Hoffman Estates, IL 60179 U.S.A.

Visite nuestro sitio web: [www.craftsman.com](http://www.craftsman.com)

# NORMAS PARA UNA OPERACIÓN SEGURA

## INDICE DE CONTENIDOS

Normas para una operación segura .....	14
Garantía .....	16
Conozca su unidad .....	17
Instrucciones de ensamble .....	18
Instrucciones de arranque y apagado .....	20
Instrucciones de operación .....	21
Instrucciones de mantenimiento y reparación .....	22
Resolución de problemas .....	23
Especificaciones .....	24
Lista de Piezas .....	30
Llamadas a apoyo al cliente .....	Contraportada

Toda la información, las ilustraciones y las especificaciones contenidas en este manual se basan en la información más reciente disponible en el momento de impresión del manual. Nos reservamos el derecho de hacer cambios en cualquier momento sin aviso previo.



**PROPOSICIÓN 65 DEL ESTADO DE CALIFORNIA**  
**ADVERTENCIA:** Los bornes y terminales de las baterías, así como determinados productos terminados contienen plomo, compuestos de plomo y otros productos químicos de los que el estado de California tiene conocimiento provocan cáncer, malformaciones congénitas u otros daños al sistema reproductor. Lávese las manos después de manipularlo.

### • IMPORTANT SAFETY INSTRUCTIONS •



**ADVERTENCIA:** Al utilizar dispositivos de jardinería eléctricos, deben cumplirse siempre precauciones de seguridad básicas para reducir el riesgo de incendios, descargas eléctricas y lesiones personales, incluyendo las siguientes:

#### CAPACITACIÓN



**ADVERTENCIA:** Al utilizar la unidad, deben cumplirse las reglas de seguridad. Por favor, lea estas instrucciones antes de utilizar la unidad para garantizar la seguridad del operador y de cualquier transeúnte. Por favor, guarde estas instrucciones para su uso posterior.

- Lea, entienda y cumpla todas las instrucciones incluidas en la máquina y en los manuales antes de montarla y utilizarla. Familiarícese completamente con los controles y con el uso apropiado de la cultivadora. Guarde este manual en un lugar seguro para consultas futuras y regulares, así como para solicitar repuestos.
- Familiarícese con todos los controles y su funcionamiento apropiado. Sepa cómo detener la máquina y cómo desengranar los dientes rápidamente.
- No permita nunca que los niños menores de 14 años utilicen esta máquina. Los niños de 14 años y más mayores deben leer y comprender las instrucciones de funcionamiento y las reglas de seguridad contenidas en este manual, y también deben ser capacitados y estar supervisados por uno de los padres.
- Nunca permita que los adultos utilicen esta máquina sin recibir antes la instrucción apropiada.
- Mantenga a los transeúntes, ayudantes, mascotas y niños al menos a 50 pies (15,2 m) de la máquina mientras está funcionando. Detenga la máquina si alguien entra en la zona.

#### PREPARACIÓN

- Inspeccione minuciosamente el área donde utilizará el equipo. Quite las piedras, palos, alambres y otros objetos extraños con los que pueda tropezar y provocar lesiones personales.



**ADVERTENCIA:** Para reducir el riesgo de descargas eléctricas utilice únicamente prolongador clasificado por UL adecuado para uso en exteriores, como por ejemplo tipo SW-A, SOW-A, STW-A, STOW-A, SJW-A, SJOW-A, SJTW-A, o SJTOW-A.

- Prolongador—Asegúrese de que su prolongador instalado está en buen estado y tiene suficiente resistencia para transportar la corriente que consumirá su cultivadora. Si tiene dudas, utilice el cable con el siguiente calibre más resistente. Cuanto menor es el número de calibre, más resistente es el cable. Un cable de tamaño insuficiente provocará una caída en el voltaje de la línea que causará pérdida de alimentación y sobrecalentamiento. Para reducir la posibilidad de desconexión del prolongador instalado desde la cultivadora, asegúrese de utilizar el limitador de cable suministrado.

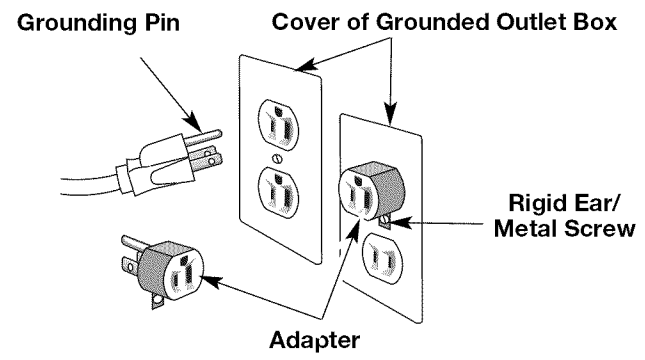
TAMANO DE CABLE MINIMO DE PROLONGADOR PARA DISPOSITIVOS DE 120 V QUE UTILIZAN 6-10 AMP				
Longitud del cable (pies)	25	50	100	150
Tamaño del (AWG)	18	16	14	12

- Si el prolongador se daña de cualquier forma mientras está enchufado, desconecte dicho prolongador del receptáculo de su hogar.



**ADVERTENCIA:** No cambie el enchufe de la cultivadora de ningún modo.

- Inspeccione el cable de la cultivadora de una manera periódica y, en caso de que presente algún tipo de daño, llévelo a un centro de servicio técnico autorizado para su reparación. Inspeccione el prolongador de manera periódica y reemplácelo si está dañado.
- Utilice vestimenta apropiada. Utilice zapatos de trabajo resistentes, de suela fuerte, así como pantalones y camisas ajustados. Las prendas sueltas o las alhajas pueden quedar atrapadas en las piezas móviles. Nunca utilice la máquina descalzo o con sandalias. Se recomienda usar guantes de goma para trabajos en exteriores. Utilice un accesorio de protección para el cabello con el fin de sujetar el cabello largo.
- Use lentes o anteojos de seguridad al utilizar la unidad. Utilice una mascarilla antipolvo si la máquina levanta polvo durante su funcionamiento. Dicho equipo de protección está disponible a través de su distribuidor o vendedor de servicio técnico autorizado.
- Utilice la herramienta apropiada. No utilice la cultivadora para ningún trabajo para el cual no está diseñada.
- Instrucciones de conexión a tierra—La cultivadora debe conectarse a tierra para reducir el riesgo de que el operador sufra descargas eléctricas. La cultivadora cuenta con un cable de tres conductores y un enchufe de conexión a tierra de tres espigas para adaptarse al receptáculo de conexión a tierra adecuado. El conductor de cable verde (o verde y amarillo) del cable es el cable de conexión a tierra. No conecte nunca el cable verde (o verde y amarillo) a un terminal con tensión. La espiga, lengüeta o similar rígidas de color verde, se deben conectar a una conexión a tierra permanente, como por ejemplo una caja de salida con la adecuada conexión a tierra.



- Utilice únicamente prolongadores para exteriores de tres cables que cuenten con enchufes de conexión a tierra de tres espigas y receptáculos de conexión a tierra que acepten el enchufe de la cultivadora.
- Mantenga la manija seca, limpia, y sin aceite ni grasa.
- Fusibles—La cultivadora se debe utilizar en un circuito de 15 ó 20 AMP. Si se experimentan dificultades al arrancar con un fusible o disyuntor de 15 AMP estándar, o si el interruptor de protección contra sobrecarga incorporado se dispara con frecuencia, póngase en contacto con su centro de servicio técnico autorizado más cercano. No utilice un fusible con mayor potencia nominal sin consultar antes con su compañía eléctrica.
- Es necesario proveer protección de Interruptor de Circuito de Fallas de Tierra (GFCI) en los circuitos o salidas que se

## NORMAS PARA UNA OPERACIÓN SEGURA

usarán para la cultivadora. Existen receptáculos disponibles que cuentan con protección GFCI incorporada y se pueden utilizar para esta medida de seguridad.

- No intente nunca realizar ningún ajuste mientras el motor está en funcionamiento.

### FUNCIONAMIENTO

- Evite los entornos peligrosos. No utilice la cultivadora en lugares húmedos o mojados.
- No utilice la cultivadora si llueve.
- No utilice la cultivadora en pendientes excesivamente pronunciadas.
- Evite arranques no intencionados. No arrastre la cultivadora enchufada con sus manos/dedos situados en los controles de arranque del motor.
- No dañe el cable. Nunca tire o arrastre de la cultivadora por el cable ni tire del mismo para desconectarlo del receptáculo. Mantenga el cable protegido de calor, aceite y bordes afilados.
- Si el prolongador se daña de cualquier forma mientras está enchufado, desconecte dicho prolongador del receptáculo de su hogar.
- No coloque las manos ni los pies cerca de las piezas rotativas. El contacto con piezas rotativas puede amputar dedos, manos y pies.
- No utilice la máquina bajo la influencia del alcohol o las drogas.
- Utilice la cultivadora únicamente con luz de día o con una buena luz artificial. No se extienda demasiado. Mantenga un buen equilibrio y sujete la manija firmemente en todo momento.
- Manténgase alerta. Observe lo que está haciendo. Utilice el sentido común. No utilice la cultivadora si está cansado.
- No fuerce la cultivadora. Si se usa a la velocidad para la cual fue diseñada, realizará un trabajo mejor con menos posibilidades de lesiones.
- Mantenga a los transeúntes, ayudantes, mascotas y niños al menos a 50 pies (15,2 m) de la máquina mientras está funcionando. Detenga la máquina si alguien entra en la zona.
- Sea cuidadoso cuando cultive en terreno sólido. Los dientes pueden clavarse en la tierra y propulsar la cultivadora hacia delante. Si esto ocurre, suelte la manija y no retenga la máquina.
- Nunca utilice la máquina a altas velocidades de desplazamiento en superficies duras o resbaladizas.
- Tenga cuidado para evitar resbalar o caerse.
- Mire hacia abajo y hacia atrás, y tenga cuidado cuando tire de la máquina hacia usted.
- Arranque el motor de acuerdo con las instrucciones de este manual y mantenga los pies alejados de los dientes en todo momento.
- Si golpea un objeto extraño, detenga el motor y desconecte el cable de alimentación para evitar un arranque accidental. Inspeccione minuciosamente para ver si la máquina está dañada. Repare el daño antes de arrancar y utilizar la máquina.
- Detenga el motor, desconecte el cable de alimentación para evitar un arranque accidental y espere hasta que los dientes se detengan por completo antes de destrabarlos, hacer algún ajuste o inspeccionar.
- Tenga cuidado cuando cultive cerca de vallas, edificios y servicios subterráneos. Los dientes giratorios pueden causar daños materiales o lesiones personales.
- No sobrecargue la capacidad de la máquina intentando cultivar el piso a un nivel demasiado profundo o a un ritmo demasiado rápido.
- Si la máquina arranca haciendo un sonido o una vibración extraños, detenga el motor y desconecte el cable de

alimentación para evitar un arranque accidental. Inspeccione la máquina minuciosamente para ver si está dañada. Repare todos los daños antes de arrancar el motor y utilizar la máquina.

- Mantenga todas las pantallas, protectores y dispositivos de seguridad en su lugar y en correcto funcionamiento.
- Para evitar riesgos de descargas eléctricas, nunca empuje o tire de la cultivadora mediante el cable eléctrico mientras está en uso.
- Cuando levante la cultivadora, utilice la manija provista. No sostenga por los dientes al levantar o sujetar la cultivadora. Nunca levante ni transporte la máquina cuando el motor está encendido.
- Use sólo dispositivos de sujeción o accesorios aprobados por el fabricante de la cultivadora. Si no lo hace, pueden producirse lesiones personales y daños a la cultivadora.
- Si se presentan situaciones que no están previstas en este manual, sea cuidadoso y use el sentido común..

### MANTENIMIENTO Y ALMACENAMIENTO

- Nunca manipule los dispositivos de seguridad de manera imprudente. Controle periódicamente que funcionen de forma adecuada.
- Controle frecuentemente que todos los pernos y tornillos estén bien ajustados para comprobar que la máquina se encuentra en condiciones seguras de funcionamiento. Asimismo, realice una inspección visual de la máquina para controlar si la misma está dañada.
- Antes de dejar el equipo, cambiar la anchura de los dientes, limpiar, reparar, realizar ajustes y operaciones similares, detenga el motor, desconecte el cable de alimentación para evitar un arranque accidental, y asegúrese de que los dientes y todas las piezas móviles se hayan detenido.
- No lave la cultivadora con una manguera. Evite que el agua entre en contacto con el motor y las conexiones eléctricas.
- Mantenga o reemplace las etiquetas de seguridad e instrucciones según sea necesario.
- Siga las instrucciones de este manual para cargar, descargar, transportar y almacenar de manera segura esta máquina.
- Consulte siempre el manual de funcionamiento para conocer las instrucciones adecuadas para el almacenamiento fuera de temporada. Cuando no esté en uso, la cultivadora debe almacenarse en un lugar seco y alto, o bajo llave, fuera del alcance de los niños.
- Mantenga la cultivadora con cuidado. Siga las instrucciones para lubricar y limpiar.
- Verifique si hay piezas dañadas. Antes de seguir utilizando la cultivadora, controle con mucho cuidado la protección o cualquier otra pieza que esté dañada para determinar si funcionará correctamente y realizará la función para la cual fue diseñada. Controle la alineación de las piezas móviles, el agarrotamiento de las piezas móviles, la rotura de piezas, el montaje y cualquier otra condición que pueda afectar al funcionamiento. Una protección u otra parte que esté dañada debe ser reparada o reemplazada de manera adecuada por un centro de servicio técnico autorizado.

## CONSERVE ESTAS INSTRUCCIONES



**ADVERTENCIA:** Esta máquina eléctrica sólo pueden usarla las personas que lean, comprendan y respeten las advertencias y las instrucciones que aparecen en este manual y en la máquina.

### SÍMBOLOS DE SEGURIDAD E INTERNACIONALES

Este manual del operador describe símbolos de seguridad e internacionales, así como pictogramas, que pueden aparecer en este producto. Lea el manual del operador para obtener información completa sobre seguridad, montaje, funcionamiento, mantenimiento y reparaciones.

#### SÍMBOLO

#### SIGNIFICADO



- **SÍMBOLO DE ALERTA DE SEGURIDAD**  
Indica peligro, advertencia o precaución. Puede utilizarse junto con otros símbolos o imágenes.



- **ADVERTENCIA - LEA EL MANUAL DEL OPERADOR**  
Lea todos los manuales del operador y cumpla todas las advertencias e instrucciones de seguridad. Si no lo hace, se pueden provocar lesiones personales al operador o a los transeúntes.

#### SÍMBOLO

#### SIGNIFICADO



- **LOS DIENTES GIRATORIOS DE LAS CULTIVADORAS PARA JARDÍN PUEDEN PROVOCAR LESIONES GRAVES**  
**ADVERTENCIA:** Detenga el motor, desenchufe el prolongador y deje que los dientes se detengan antes de retirar los mismos, o antes de limpiar y realizar cualquier tarea de mantenimiento. Mantenga los pies y las manos alejados de los dientes giratorios

## DECLARACIÓN DE GARANTÍA

### GARANTÍA TOTAL POR 2 AÑOS, DE CRAFTSMAN

Este producto se garantiza DURANTE 2 AÑOS a partir de la fecha de compra, contra defectos en el material o en la mano de obra. El producto defectuoso será reparado sin ningún costo o será reemplazado gratuitamente si no puede ser reparado.

**Para conocer los detalles sobre la cobertura de la garantía para que sea reparado o reemplazado, visite el sitio web: [www.craftsman.com](http://www.craftsman.com)**

**Esta garantía cubre SOLAMENTE defectos en el material o mano de obra. La cobertura de la garantía NO incluye:**

- Artículos consumibles que se desgasten debido al uso normal dentro del período de la garantía, tales como cuchillas, dientes o correas.
- Daños que ocurran al producto como resultado de intentos de modificación o reparación por parte del usuario, o que sean causados por accesorios del producto.
- Reparaciones necesarias debidas a accidente o falla en el funcionamiento, o por no mantener el producto de acuerdo con todas las instrucciones provistas.

Esta garantía es nula si este producto se utiliza alguna vez durante la prestación de servicios de tipo comercial o si se le alquila a otra persona. Esta garantía le otorga a usted derechos legales específicos, y usted puede además poseer otros derechos, los cuales varían de un estado a otro.

Sears Brands Management Corporation, Hoffman Estates, IL 60179

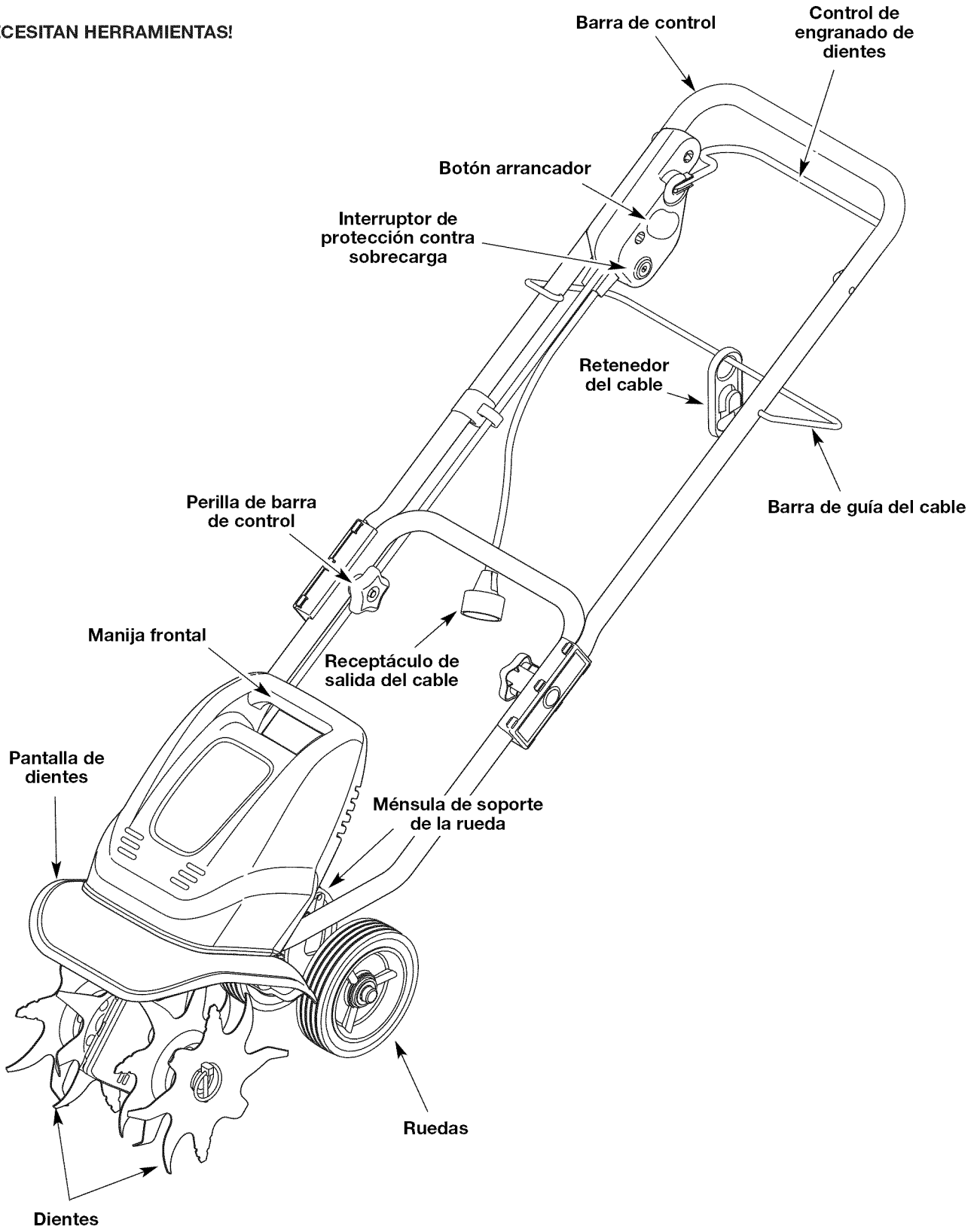


## CONOZCA SU UNIDAD

### APLICACIONES

- Cultivar tierra herbosa y tierra negra ligera a mediana.
- Cultivar áreas de jardines, alrededor de árboles, etc.

¡NO SE NECESITAN HERRAMIENTAS!



## ENSAMBLAJE DE LA MANIJA



**ADVERTENCIA:** Para evitar lesiones personales graves, no conecte prolongadores eléctricos a la unidad hasta terminar por completo el montaje de la cultivadora

Antes de que pueda operar la unidad, debe instalar la manija.

1. Cuando desempaque la unidad, sostenga la manija en la posición que se indica en la Figura 1 y deslícela hacia las barras inferiores.
2. Alinee los orificios de la manija con los orificios de las barras inferiores e inserte los pernos a través de dichos orificios.
3. Mantenga la manija en su lugar mientras atornilla las perillas a los pernos (Fig. 2).
4. Apriete las perillas para fijar la manija en su lugar.

**NOTA:** No apriete demasiado las perillas.

5. Verifique que el asa esté montada en el conjunto del interruptor (Fig. 1, A).

**NOTA:** Tenga cuidado en no comprimir el cable del interruptor al colocar en posición las manijas.

6. Fije el cable del interruptor al retenedor de cable, en la barra inferior, como se indica en la inserción de la Figura 1, B.

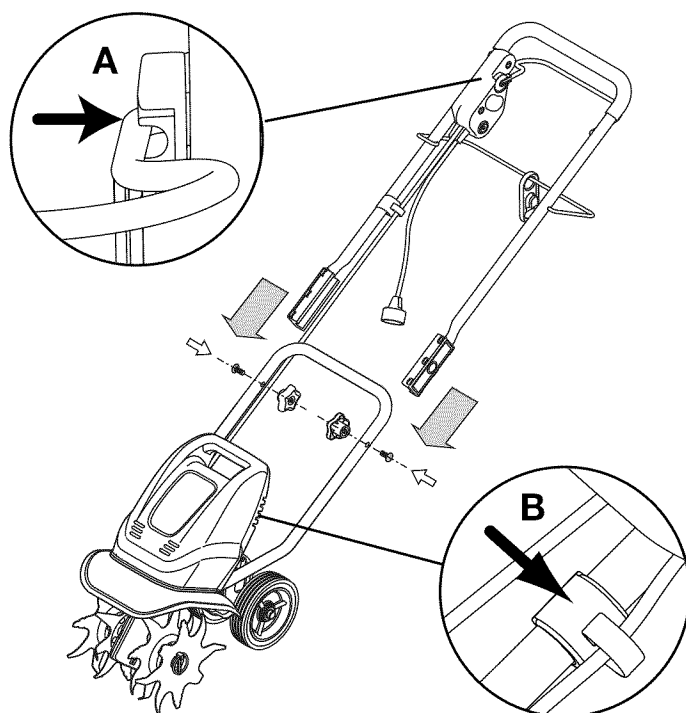


Fig. 1

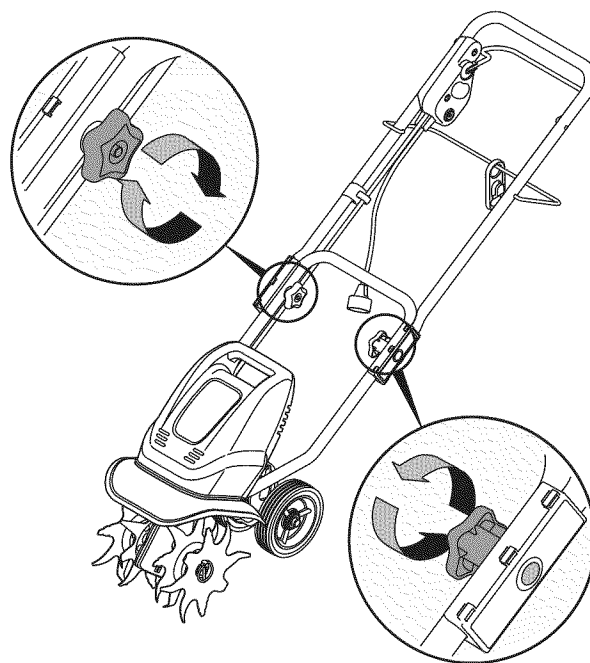


Fig. 2

### USO DEL RETENEDOR DEL CABLE

En la barra de guía del cable situada en la manija superior se haya suspendido un retenedor del prolongador.

**NOTA:** No enchufe el prolongador al receptáculo de la fuente de alimentación (salida) antes de dirigirlo a través del retenedor del cable y conectar el prolongador al receptáculo de salida del cable de la cultivadora.

Para dirigir de forma adecuada su prolongador a través del retenedor del cable:

1. Aproximadamente a ocho pulgadas de su extremo, doble el prolongador para formar un lazo ajustado.
2. Empuje dicho lazo a través del orificio inferior del retenedor del cable (Fig. 3).

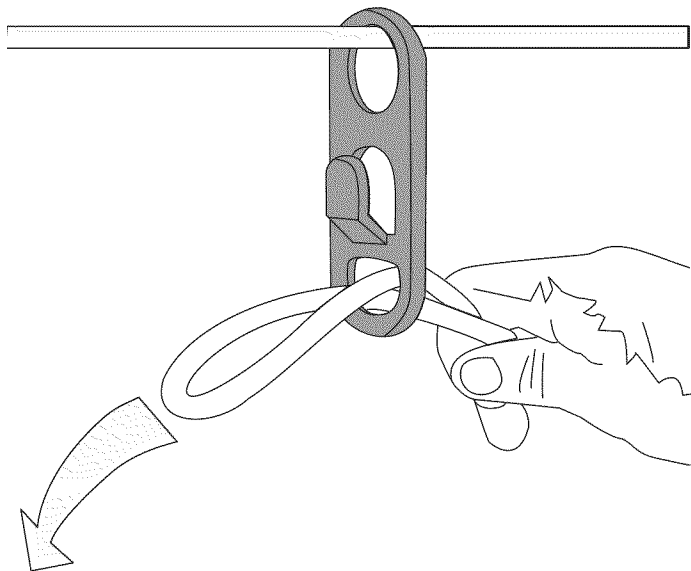


Fig. 3

3. Posicione el lazo sobre el broche que hay en el retenedor del cable y estire hacia abajo hasta que el cable encaje cómodamente en el broche (Fig. 4).

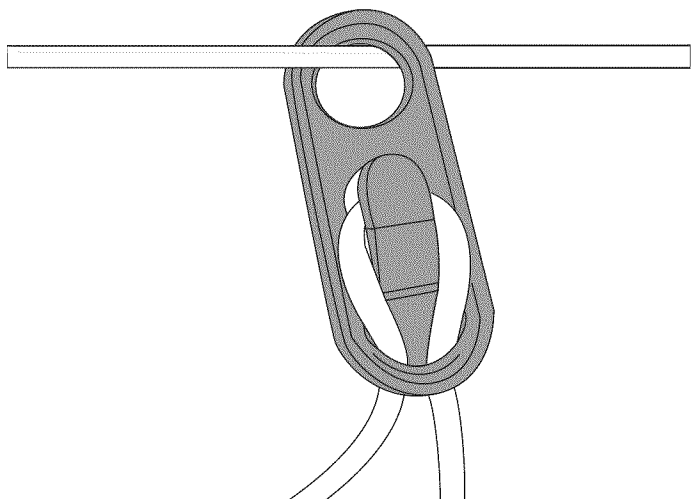


Fig. 4

**NOTA:** Utilice un prolongador aprobado por UL. Se recomienda un cable de calibre 14 y 100 pies. Es aceptable un cable de calibre 16 y 50 pies. Consulte la pequeña tabla que aparece en la página 3.

El retenedor del cable y la barra de guía colaboran para asegurar su prolongador y limitar de forma segura su movimiento.

El retenedor del cable (junto con el prolongador) se desliza a lo largo de la barra de guía a medida que la cultivadora se mueve hacia la izquierda o la derecha (Fig. 5).

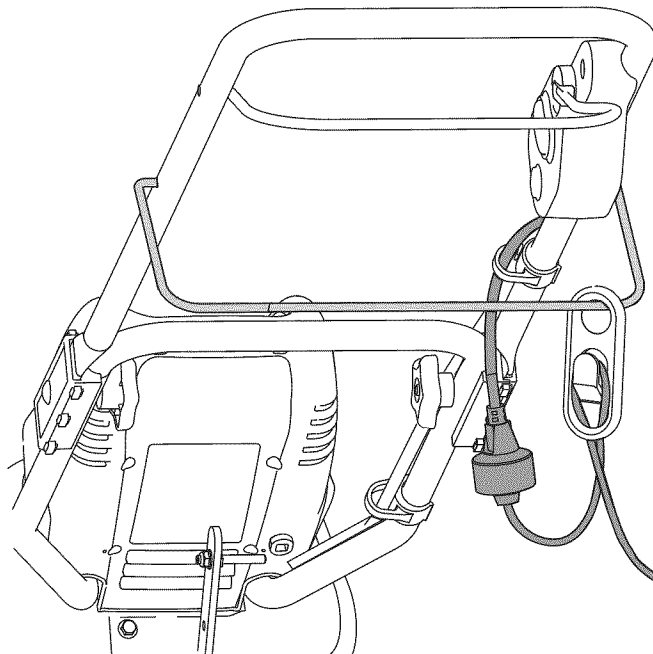


Fig. 5

## INSTRUCCIONES DE ARRANQUE Y APAGADO

### INSTRUCCIONES DE ARRANQUE



**ADVERTENCIA:** Evite arranques accidentales. Asegúrese de que está en posición de funcionamiento detrás de la cultivadora cuando la utilice. Para evitar lesiones graves, tanto el operador como la unidad deben estar en una posición estable durante el arranque.

#### Conexión a una fuente de alimentación eléctrica

**NOTA:** Conecte el prolongador a la cultivadora tal y como se indica en la página anterior antes de enchufar el prolongador a una salida eléctrica.

1. Enchufe el prolongador a cualquier salida conveniente (interior o exterior) conectada a tierra de 120 volt. y 60 ciclos CA. Su cultivadora funcionará de forma satisfactoria en un circuito con un disyuntor de 15 amperios.

**NOTA:** Para evitar que se disparen los disyuntores del circuito, seleccione una salida en un circuito que no esté sobrecargado. NO seleccione una salida que esté en un circuito que albergue dispositivos como un refrigerador.

2. Permanezca detrás de la cultivadora, en posición de funcionamiento.
3. Haga pivotar la cultivadora ligeramente hacia atrás, de manera que su peso se apoye sobre las ruedas y los dientes, y NO entre en contacto con el piso.
4. Oprima el botón arrancador (rojo) y manténgalo oprimido (Fig. 6, no. 1). **NOTA:** Al arrancar el motor de la cultivadora también se inicia la acción de cultivar.

**NOTA:** Arrancar el motor del cultivador también inicia la acción de cultivo.

5. Mientras mantiene oprimido el botón arrancador, haga pivotar el gancho hacia arriba contra la manija (Fig. 6, no. 2) para arrancar el motor y engranar los dientes.

**NOTA:** El motor de la cultivadora NO arrancará si no se mantiene oprimido el botón arrancador mientras se pivota el gancho hacia arriba.

6. Suelte el botón arrancador (rojo), y tome a la vez la manija y el gancho con ambas manos (Fig. 7).

### INSTRUCCIONES DE APAGADO

1. Suelte el gancho.
2. El botón del arrancador se soltará, el gancho pivotará hacia abajo y el motor se detendrá.

#### INTERRUPTOR DE PROTECCIÓN CONTRA SOBRECARGA

Este cultivador está equipado con un interruptor de protección de sobrecarga para evitar que se dañe el motor debido a recalentamiento. Si el interruptor de protección de sobrecarga se dispara:

1. Suelte el gancho y NO vuelva a arrancar la cultivadora durante al menos un minuto, dando tiempo al motor eléctrico para que se enfríe.
2. Oprima el interruptor de protección contra sobrecarga para restablecer (Fig. 6, no. 3).

Si la protección contra sobrecarga se activa poco después de restablecer:

1. Suelte el gancho y NO reinicie la cultivadora durante al menos 15 minutos para dar un tiempo extra al motor eléctrico para que se enfríe.
2. Oprima el interruptor de protección contra sobrecarga para restablecer.
3. Vuelva a arrancar la unidad.

**NOTA:** Si el interruptor de protección de sobrecarga se dispara repetidamente durante el funcionamiento o no se mantiene oprimido al tratar de restablecer el motor, comuníquese con el Centro de Piezas de Repuesto y Reparaciones de Sears para que lo reparen.

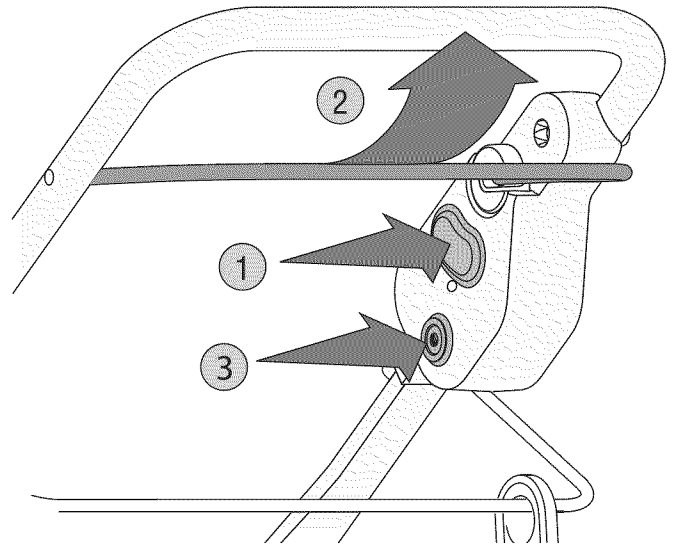


Fig. 6

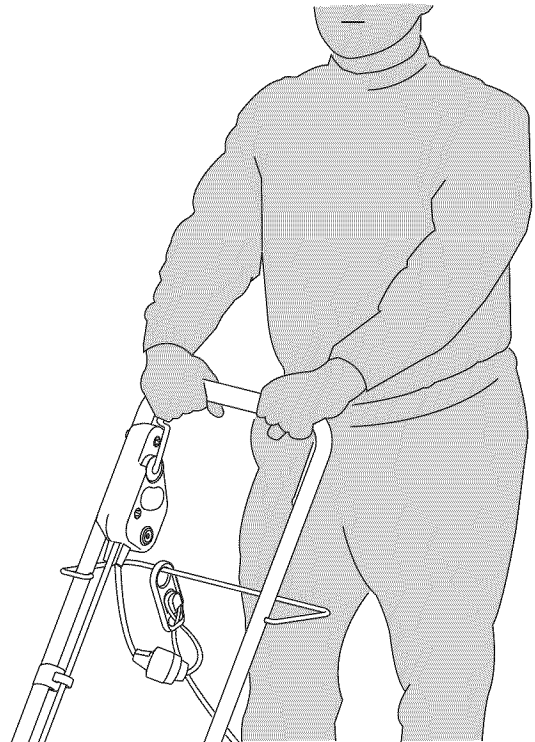


Fig. 7

## INSTRUCCIONES DE OPERACIÓN

### AJUSTE DE LA MÉNSULA DE SOPORTE DE LA RUEDA



**ADVERTENCIA:** Evite arranques accidentales. Detenga el motor y desconecte el prolongador antes de ajustar la ménsula de soporte de las ruedas.

Para ajustar la ménsula de soporte de la rueda proceda de la siguiente manera:

1. Extraiga la chaveta de retén de la chaveta de horquilla y deslice la chaveta hasta extraerla de la ménsula de la pieza posterior (Fig. 8).

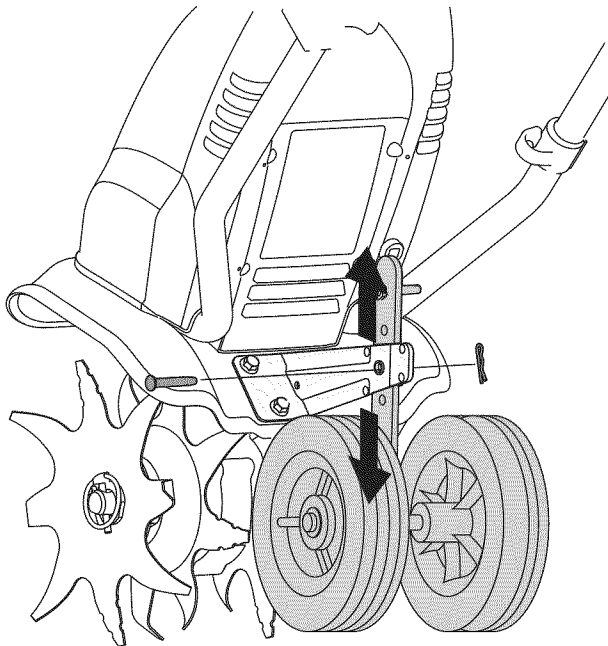


Fig. 8

2. Deslice la ménsula de soporte de la rueda hacia arriba o hacia abajo en la pieza posterior, alineando los orificios a la altura deseada.
3. Sitúe la chaveta de la horquilla a través del orificio y asegúrelo con una chaveta de retén.

### USO DE SU CULTIVADORA



**ADVERTENCIA:** Nunca levante ni transporte la máquina cuando el motor esté en funcionamiento. Se podrían producir lesiones personales graves.

1. Mueva la cultivadora al área de trabajo antes de arrancar el motor. Transporte la cultivadora empujando o tirando de ella por sus ruedas. O puede mover la cultivadora mediante su manija frontal.
2. Arranque la cultivadora siguiendo todos los pasos que aparecen en *Instrucciones de arranque* en la página anterior.
3. Con ambas manos en la manija superior, pivote lentamente la cultivadora hacia delante hasta que los dientes hagan contacto con el piso.



**WARNING:** Evite el riesgo de lesiones. Mantenga el prolongador separado de la ruta de cultivo en todo momento. No permita que los dientes entren en contacto con el prolongador.

4. Una vez que los dientes estén en tierra, cultive a un paso moderado hasta que se haya familiarizado con los controles y el manejo de la cultivadora.
- NOTA:** Esté atento a la ubicación del prolongador en todo momento. No deje que los dientes de la cultivadora entren en contacto con el prolongador durante el funcionamiento.
5. Para ajustar la profundidad de cultivo, ajuste la ménsula de soporte de la rueda. Consulte la sección “*Ajuste de la ménsula de soporte de la rueda*”.
- NOTE:** Se recomienda una profundidad de dos a tres pulgadas (50,8 - 76,2 mm) para el cultivo. Cuando trace las hileras de plantas, asegúrese de dejar un ancho suficiente para el cultivo entre dichas hileras.

## INSTRUCCIONES DE MANTENIMIENTO Y REPARACIÓN



**ADVERTENCIA:** Para evitar lesiones graves, nunca realice el mantenimiento ni las reparaciones con la unidad en funcionamiento. Realice dichas tareas siempre con la unidad fría.



**ADVERTENCIA:** Evite arranques accidentales. Detenga el motor y desconecte el prolongador antes de realizar tareas de mantenimiento o reparaciones.

### CÓMO SACAR Y CAMBIAR LOS DIENTES

Todos los dientes deben ser substituidos al mismo tiempo que, usarán uniformemente con uso normal. Trabajo sobre un lado a la vez.



**ADVERTENCIA:** Dientes de la cultivadora son muy afilados. Utilice siempre guantes de cuero para proteger sus manos cuando manipule los dientes.

1. Cerciérese de que la unidad esté apagada.

**NOTA:** Puede ser necesario poner al cultivador detrás en una posición horizontal respecto a una superficie llana plana con la manija superior que toca la tierra. Puede también ser necesario lavar cualquier suciedad de los dientes y del eje para la facilidad del retiro.



**ADVERTENCIA:** nunca realice el mantenimiento ni con una manguera. Evite que el agua entre en las reparaciones con la unidad en contacto con el motor y las conexiones funcionamiento. Realice dichas tareas eléctricas

2. Quite el pasador de trinquete de cada uno de los extremos del eje de los dientes. Saque los dientes deslizándolos del eje (Fig. 9).
3. Limpie y engrase el eje.
4. Coloque los dientes nuevos deslizándolos en su lugar con los núcleos mirando uno hacia el otro (Fig. 9).

**NOTA:** Cada uno de los dientes tiene un lado convexo.

Asegúrese de que todos los lados convexos queden mirando como se muestra en la Figura 9.

5. Asegure los dientes nuevos al eje con pasadores de trinquete. Para poder sacar los dientes más fácilmente, es posible que sea necesario lavar los dientes y el eje para quitar la suciedad.

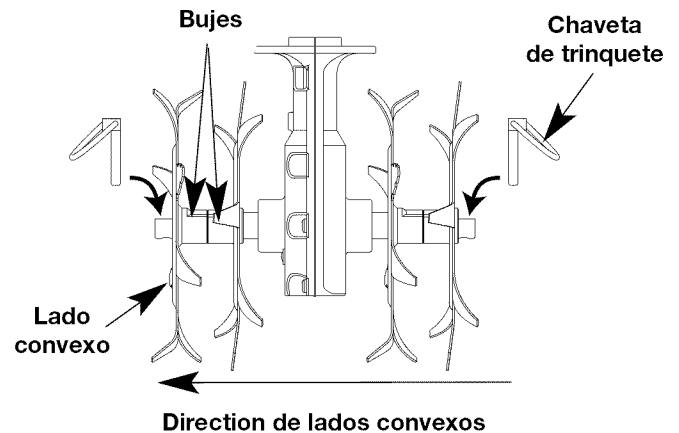


Fig. 9

EL MOTOR NO ARRANCA

CAUSA

La unidad está desenchufada

Botón arrancador o gancho mal usados

El interruptor de protección contra sobrecarga

ACCION

Asegúrese de que el prolongador está enchufado de iforma segura en el receptáculo de salida del cable de la cultivadora en un extremo, y en una salida de 120V. en el extremo contrario.

Oprima el botón arrancador y manténgalo oprimido mientras presiona el gancho contra la manija.

Oprima el interruptor de protección contra se ha disparado sobrecarga. Siga las instrucciones de arranque.

## ¿NECESITA MÁS AYUDA?

Encontrará la respuesta y mucho más en [managemylife.com](http://managemylife.com) – gratis!

- Busque este y todos sus demás manuales de productos en línea.
- Obtenga respuestas de nuestros expertos en productos para el hogar.
- Reciba un plan de mantenimiento personalizado para su hogar.
- Encuentre la información y las herramientas que le ayudarán en sus proyectos para su hogar.



presentado por Sears

## ESPECIFICACIONES

### MOTOR\*

Tipo de motor	Eléctrico de 120 V
CARPM operativas	hasta 8000 rpm
Interruptor de encendido	Botón de seguridad con bloqueo por gancho
Amperaje	6,5 Amp
Protección contra sobrecarga	Disyuntor de 5 amp y 120 V

### CULTIVADOR\*

Tubo del eje de la transmisión	Tubo de acero
Manija	Tubo de acero
Ancho de la trayectoria de cultivo (Máximo)	22,86 cm (9 pulgadas)
Profundidad de cultivo (Máximo)	15,24 cm (6 pulgadas)
Peso aproximado	12,25 kg (27 libras)

\* Toda las especificaciones contenidas en este manual se basan en la información más reciente disponible en el momento de impresión del manual. Nos reservamos el derecho de hacer cambios en cualquier momento sin aviso previo.

### CONVENIO DE PROTECCIÓN DE REPARACIÓN

Felicidades por haber realizado una compra inteligente. Su nuevo producto Craftsman® está diseñado y fabricado para ofrecerle años de funcionamiento confiable. Pero como todos los productos, es posible que sea necesario repararlo de vez en cuando. Ahí es cuando tener un Convenio de Protección de Reparación puede ahorrarle dinero y problemas.

**Esto es lo que incluye el Convenio de Protección de Reparación\*:**

- Servicio experto** de nuestros 10,000 especialistas profesionales en reparaciones
- Servicio ilimitado** y sin costo alguno por piezas y mano de obra en todas las reparaciones cubiertas
- Reemplazo del producto** por un valor de hasta \$1500 si el producto cubierto no se puede reparar
- Descuento del 10%** en el precio regular del servicio, así como de las piezas instaladas, que el convenio no cubra; igualmente, 10% de descuento en el precio regular de comprobación de mantenimiento preventivo
- Ayuda rápida por teléfono** – la llamamos **Solución Rápida** – asistencia técnica por teléfono de un representante de Sears. Piense en nosotros como si fuéramos un "manual del usuario que habla".

Una vez que adquiera el Convenio de Protección de Reparación, todo lo que necesita es hacer una simple llamada para programar el servicio de reparación. Puede llamar a cualquier hora del día o de la noche, o hacer una cita de servicio por Internet.

El Convenio de Protección de Reparación es una compra libre de riesgo. Si usted cancela por cualquier motivo durante el período de garantía del producto, proporcionaremos un reembolso completo. O, un reembolso prorrateado en cualquier momento después de que venza el período de garantía del producto. ¡Adquiera hoy mismo su Convenio de Protección de Reparación!

**Aplican algunas limitaciones y exclusiones. Para obtener precios e información adicional en los Estados Unidos, llame al 1-800-827-6655.**

**\*La cobertura en Canadá varía en algunos artículos. Para obtener todos los detalles, llame a Sears en Canadá al 1-800-361-6665.**

### SERVICIO DE INSTALACIÓN SEARS

Para la instalación de electrodomésticos, abridores de puertas de garaje, calentadores de agua, y otros productos para el hogar por profesionales de Sears, en los Estados Unidos o Canadá, llame al **1-800-4-MY-HOME®**.







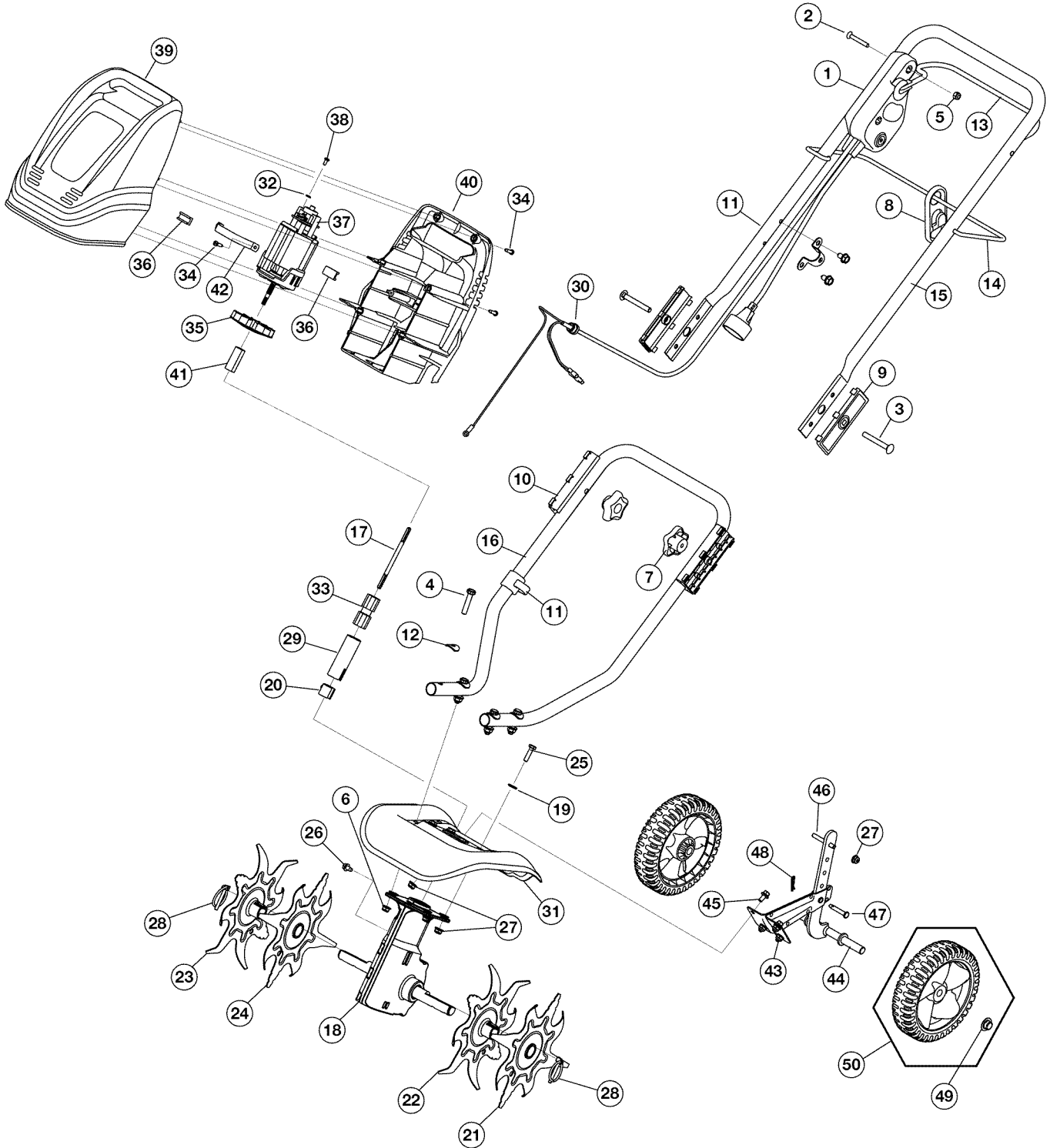






PARTS LIST

REPLACEMENT PARTS - MODEL 316.292631  
ELECTRIC CULTIVATOR



**PARTS LIST****REPLACEMENT PARTS - MODEL 316.292631  
ELECTRIC CULTIVATOR**

<u>Item</u>	<u>Part No.</u>	<u>Description</u>	<u>Item</u>	<u>Part No.</u>	<u>Description</u>
1	625-04027A	Switch Assembly	26	4543	Bolt
2	710-04213	Screw	27	712-04064	Nut
3	710-0572	Bolt	28	753-04070	Lynch Pin
4	710-0805	Screw	29	750-04441	Boom Tube
5	912-0324	Nut	30	753-04428	Cord Bushing
6	712-04063	Nut	31	753-04067	Tine Shield
7	720-04052	Knob	32	1625	Lock Washer
8	726-0368	Cord Retainer	33	1A2679	Flex Tube Assembly
9	731-05178	Upper Handle Insulator	34	753-05274	Screw
10	731-05186	Lower Handle Insulator	35	50004	Fan
11	753-04429	Cable Guide	36	50545	Motor Pad
12	736-0451	Saddle Washer	37	924-04008	Motor Assembly
13	747-04375	Control Bail	38	791-145569	Screw
14	747-04376A	Guide Rod	39	731-05207	Front Motor Cover
15	749-04210	Upper Handle	40	731-05208	Rear Motor Cover
16	749-1295A	Lower Handle	41	748-04085	Motor Hub
17	791-182686	Flex Shaft	42	786-04268	Motor Strap
18	753-04075	Gearbox	43	753-04058	Bracket Assembly
19	791-182678	Washer	44	753-04063	Wheel Support Bracket Assembly
20	753-04078	Sleeve	45	710-04468	Screw
21	753-05987	Outer Tine Assembly	46	911-0993	Belt Guard Pin
22	753-05968	Inner Tine Assembly	47	711-1017	Clevis Pin
23	753-05968	Outer Tine Assembly	48	914-0104	Cotter Pin
24	753-05987	Inner Tine Assembly	49	726-0299	Push Cap
25	710-0597	Screw	50	753-04437	Wheel (includes 49)

# Get it fixed, at your home or ours!

## Your Home

For troubleshooting, product manuals and expert advice:



[www.managemylife.com](http://www.managemylife.com)

---

For repair – **in your home** – of **all** major brand appliances, lawn and garden equipment, or heating and cooling systems, **no matter who made it, no matter who sold it!**

For the replacement parts, accessories and owner's manuals that you need to do-it-yourself.

For Sears professional installation of home appliances and items like garage door openers and water heaters.

**1-800-4-MY-HOME<sup>®</sup>** (1-800-469-4663)

Call anytime, day or night (U.S.A. and Canada)

[www.sears.com](http://www.sears.com)

[www.sears.ca](http://www.sears.ca)

---

## Our Home

For repair of carry-in items like vacuums, lawn equipment, and electronics, call anytime for the location of your nearest

**Sears Parts & Repair Service Center**

**1-800-488-1222** (U.S.A.)

**1-800-469-4663** (Canada)

[www.sears.com](http://www.sears.com)

[www.sears.ca](http://www.sears.ca)

---

To purchase a protection agreement on a product serviced by Sears:

**1-800-827-6655** (U.S.A.)

**1-800-361-6665** (Canada)

---

Para pedir servicio de reparación a domicilio, y para ordenar piezas:

**1-888-SU-HOGAR<sup>®</sup>**

(1-888-784-6427)

[www.sears.com](http://www.sears.com)

Au Canada pour service en français:

**1-800-LE-FOYER<sup>MC</sup>**

(1-800-533-6937)

[www.sears.ca](http://www.sears.ca)

The Sears logo, featuring the word "Sears" in a large, bold, serif font with a stylized 'S'.

® Registered Trademark / <sup>TM</sup> Trademark of KCD IP, LLC in the United States, or Sears Brands, LLC in other countries

® Marca Registrada / <sup>TM</sup> Marca de Fábrica de KCD IP, LLC en Estados Unidos, o Sears Brands, LLC in otros países

<sup>MC</sup> Marque de commerce / <sup>MD</sup> Marque déposée de Sears Brands, LLC