

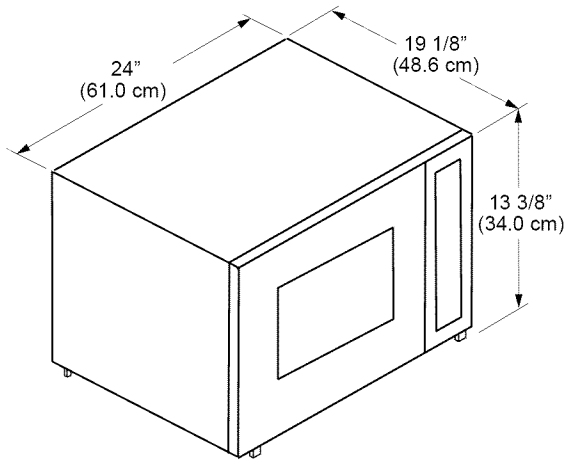
# DMW2420S, AMTK, AOMTK



## Distinctive™ Microwave Oven (Stainless Steel) and Built-In Trim Kits

## PLANNING GUIDE

All tolerances: +1/16" (+1.6 mm), -0, unless otherwise stated



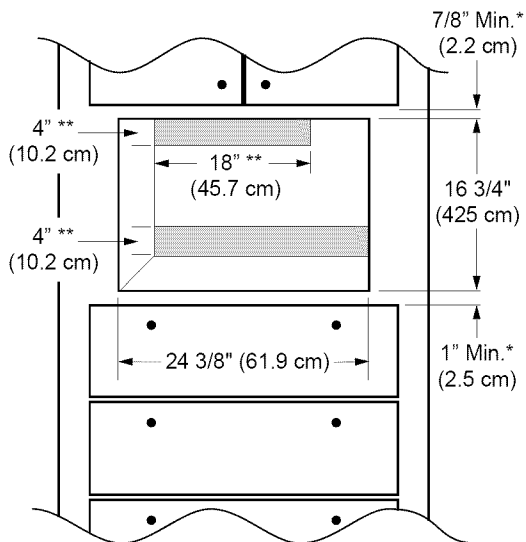
Shipping weight: 46 lbs.

Circuit required: 120 Vac, 15 Amp. dedicated, grounded, 3-prong electrical outlet

Total connected load: 13.0 Amp. @ 120 Vac, 60 Hz.

Interior dimensions: 10 1/2" H x 17 3/8" W x 18 5/8" D, interior walls are recessed

### DMW2420 MICROWAVE SPECIFICATIONS



\* Minimum spacing: Includes additional space to avoid scraping/vibration.

\*\* 120 Vac 15 Amp. 3-prong electrical outlet must be located in one of the shaded areas shown unless interior cabinet depth is more than 21" (53.3 cm).

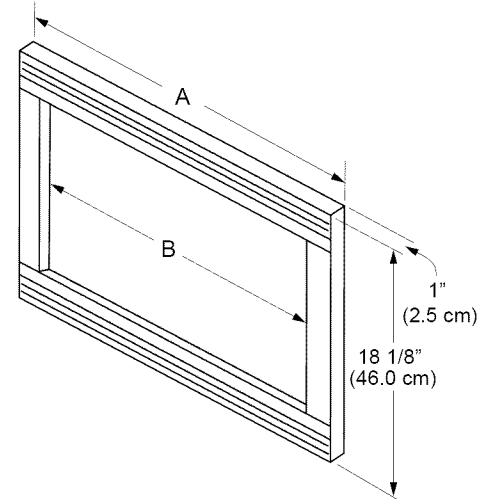
### MICROWAVE INSTALLATION WITH BUILT-IN TRIM KIT

#### NOTE:

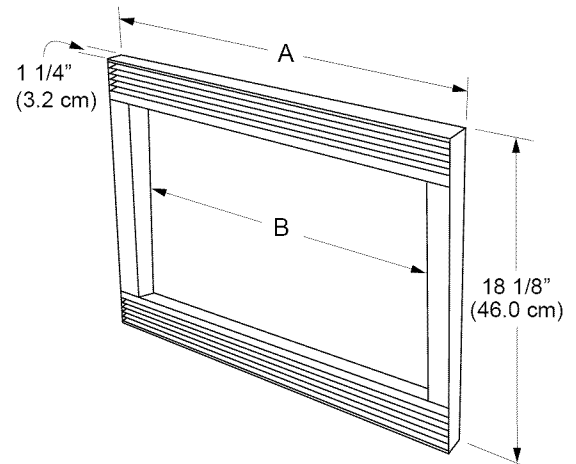
- Microwave is supplied with 42" (106.7 cm) power cord with a three prong grounding plug.
- 3/4" (1.9 cm) platform (flush with cutout) required.
- 20" (50.8 cm) minimum interior cabinet depth required for AMTK and AOMTK built-in trim kits.
- See the Combination Installation (CI) section if installing with a wall oven or warming oven.

### ⚠ WARNING

- Observe all governing codes and ordinances during planning and installation. Contact your local building department for further information.
- This appliance must be installed in accordance with the accompanying installation instructions.



### AMTK TRIM KIT DIMENSIONS (USED WITH DISTINCTIVE AND RENAISSANCE SERIES WALL OVENS)



### AOMTK TRIM KIT DIMENSIONS (USED WITH DISCOVERY SERIES WALL OVENS)

Trim Kit Model #	(A) Overall Width	(B) Opening Width	Trim Kit Overlays	Approximate Shipping Weight
AMTK27	27" (68.6 cm)	24" (61.0 cm)	Top: 5/8" (1.6 cm)	12 lbs.
AMTK30	30" (76.2 cm)			12 lbs.
AMTK36	36" (91.4 cm)		16 lbs.	
AOMTK27	27" (68.6 cm)		Bottom: 3/4" (1.9 cm)	17 lbs.
AOMTK30	30" (76.2 cm)			18 lbs.