

Homelite®

OPERATOR'S MANUAL MANUEL D'UTILISATION MANUAL DEL OPERADOR

26cc String Trimmers

TAILLE-BORDURES À LIGNE

26 cc

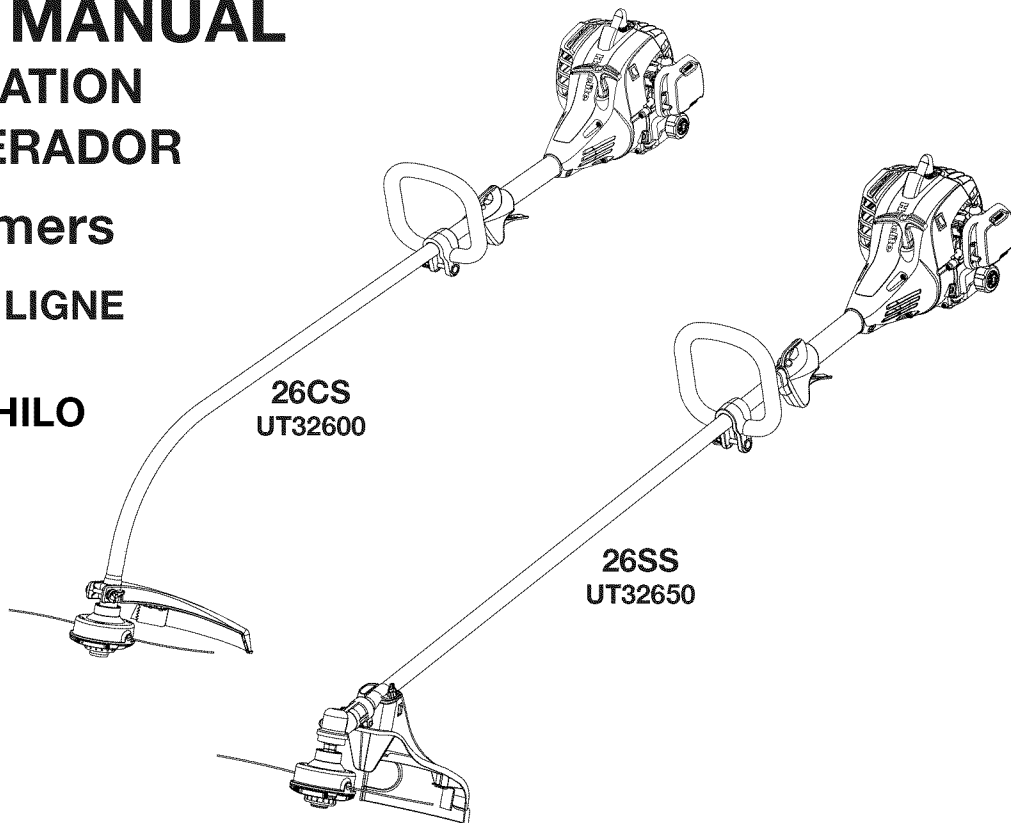
RECORTADORAS DE HILO

26 cc

ALL VERSIONS

TOUTES LES VERSIONS

TODAS LAS VERSIONES



Your string trimmer has been engineered and manufactured to Homelite's high standard for dependability, ease of operation, and operator safety. When properly cared for, it will give you years of rugged, trouble-free performance.

⚠ WARNING: To reduce the risk of injury, the user must read and understand the operator's manual before using this product.

Thank you for buying a Homelite product.

SAVE THIS MANUAL FOR FUTURE REFERENCE

Cette taille-bordures à ligne a été conçue et fabriquée conformément aux strictes normes de fiabilité, simplicité d'emploi et sécurité d'utilisation de Homelite. Correctement entretenue, elle vous donnera des années de fonctionnement robuste et sans problème.

⚠ AVERTISSEMENT : Pour réduire les risques de blessures, l'utilisateur doit lire et veiller à bien comprendre le manuel d'utilisation avant d'employer ce produit.

Merci d'avoir acheté un produit Homelite.

Su recortadora de hilo ha sido diseñada y fabricada de conformidad con las estrictas normas de Homelite para brindar fiabilidad, facilidad de uso y seguridad para el operador. Con el debido cuidado, le brindará muchos años de sólido y eficiente funcionamiento.

⚠ ADVERTENCIA: Para reducir el riesgo de lesiones, el usuario debe leer y comprender el manual del operador antes de usar este producto.

Le agradecemos la compra de un producto Homelite.

**CONSERVER CE MANUEL POUR
FUTURE RÉFÉRENCE**

**GUARDE ESTE MANUAL PARA
FUTURAS CONSULTAS**

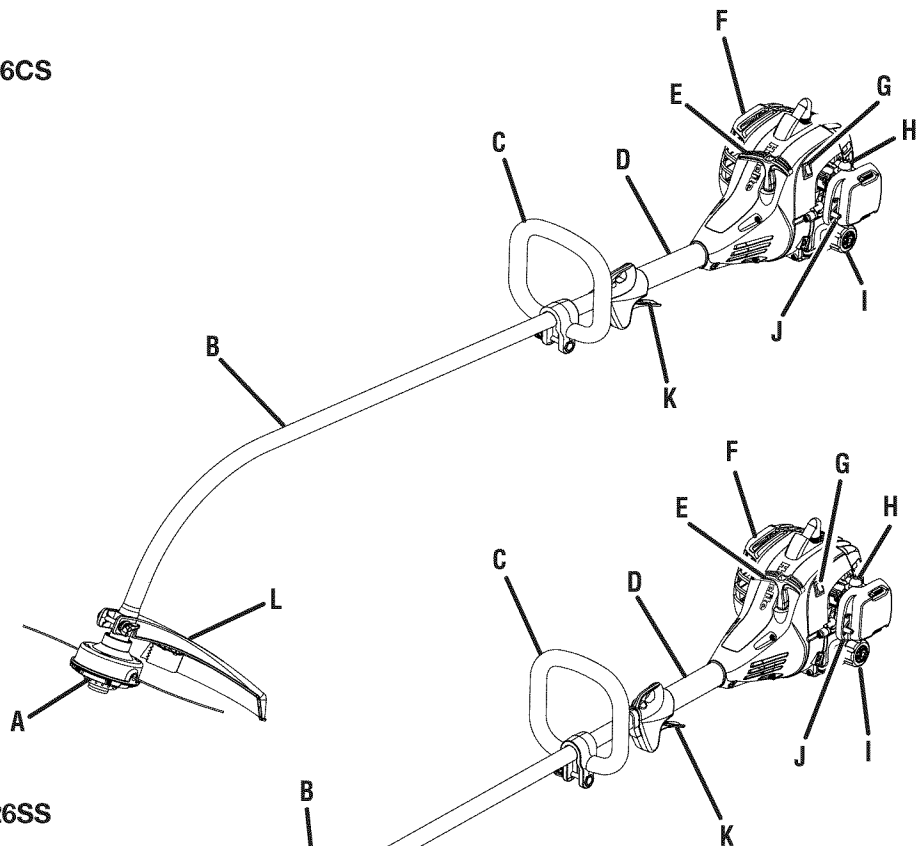
See this fold-out section for all of the figures referenced in the operator's manual.

Consulter l'encart à volets afin d'examiner toutes les figures mentionnées dans le manuel d'utilisation.

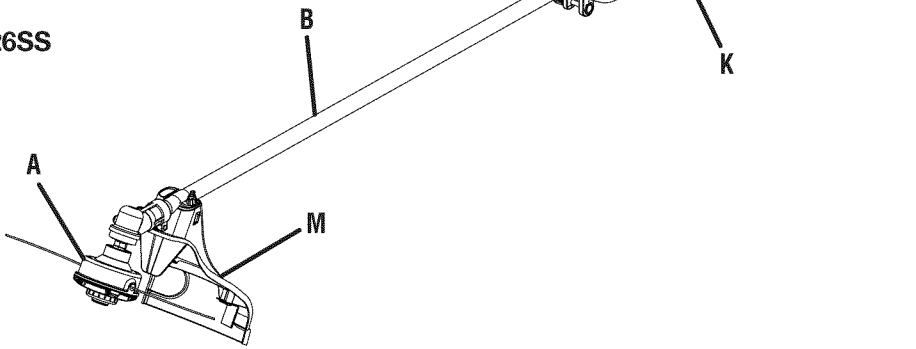
Consulte esta sección desplegable para ver todas las figuras a las que se hace referencia en el manual del operador.

Fig. 1

26CS

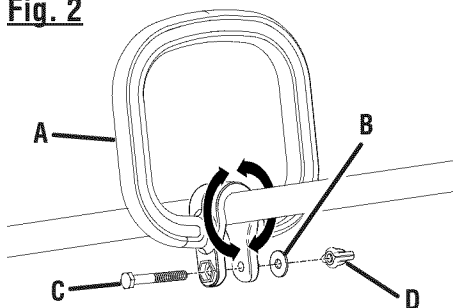


26SS



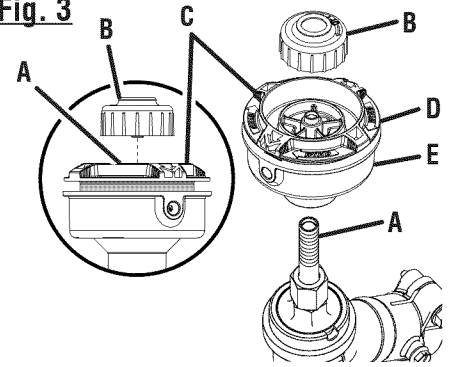
- A - Dual line string head (tête de cordon à ligne double, cabezal del hilo doble)
- B - Drive shaft housing (logement d'arbre moteur, alojamiento del eje de impulsión)
- C - Front handle (poignée avant, mango delantero)
- D - Rear handle (poignée arrière, mango trasero)
- E - Starter grip and rope (poignée du lanceur et corde, mango del arrancador y cuerda)
- F - Muffler (silencieux, silenciador)
- G - Stop switch (commutateur d'arrêt, interruptor del apagado)
- H - Primer bulb (poire d'amorçage, bomba de cebado)
- I - Fuel cap (bouchon de carburant, tapa del tanque)
- J - Start lever (levier de volet de départ, palanca de arranque)
- K - Throttle trigger (gâchette d'accélérateur, gatillo del acelerador)
- L - Curved shaft grass deflector (déflecteur d'herbe d'arbre courbe, deflector de pasto del eje curvo)
- M - Straight shaft grass deflector (déflecteur d'herbe d'arbre droit, deflector de pasto para eje recto)

Fig. 2



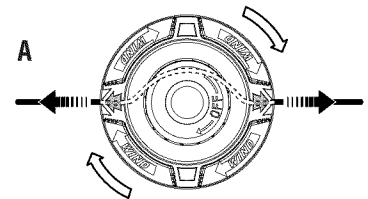
- A - Front handle (poignée avant, mango delantero)
- B - Washer (rondelle, arandela)
- C - Bolt (boulon, perno)
- D - Wing nut (écrou à oreilles, tuerca de mariposa)

Fig. 3



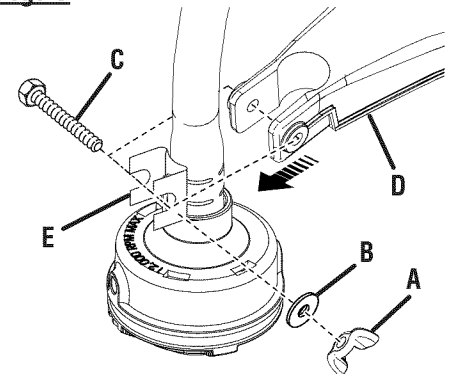
- A - Drive shaft (arbre d'entraînement, eje de impulsión)
- B - Spool retainer (retenue de bobine, retén del carrete)
- C - Plastic seal (étanchéité en plastique, sello de plástico)
- D - Spool (bobine, carrete)
- E - String head assembly (ensemble de tête de couple, conjunto del cabezal de hilo)

Fig. 4



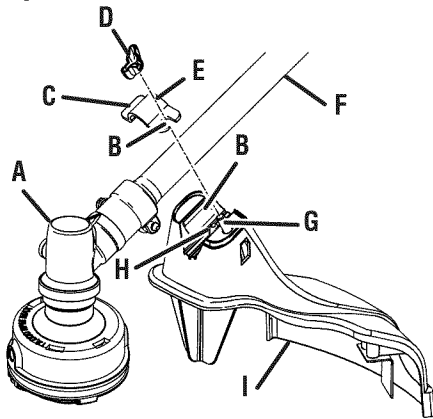
- A - Pull strings (tirer vers l'extérieur, tira del hilo)

Fig. 5



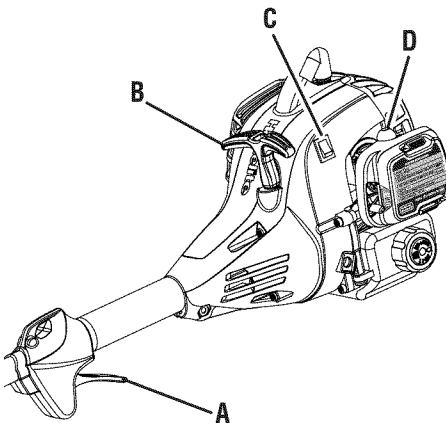
- A - Wing nut (écrou à oreilles, tuerca de mariposa)
- B - Washer (rondelle, arandela)
- C - Bolt (boulon, perno)
- D - Grass deflector (déflecteur d'herbe, deflector de pasto)
- E - Bracket (support, soporte)

Fig. 6



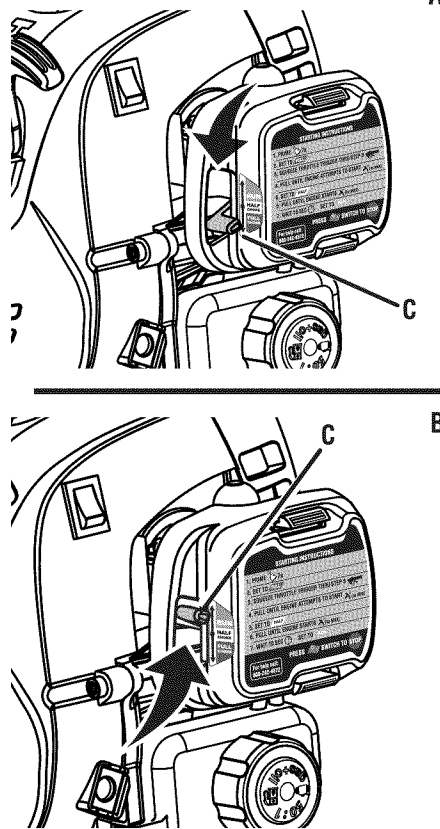
- A - Gear head (carter d'engrenages, cabezal de engranajes)
- B - Slot (fente, ranura)
- C - Square tab (languette carrée, orejeta cuadrada)
- D - Wing nut (écrou à oreilles, tuerca de mariposa)
- E - Mounting bracket (support de montage, soporte de montaje)
- F - Drive shaft housing (logement d'arbre moteur, alojamiento del eje de impulsión)
- G - Screw (vis, tornillo)
- H - Pin (axe, pasador)
- I - Grass deflector (déflecteur d'herbe, deflector de pasto)

Fig. 7



- A - Throttle trigger (gâchette l'accélérateur, gatillo del acelerador)
- B - Starter grip and rope (poignée du lanceur et corde, mango del arrancador y cuerda)
- C - Stop switch (commutateur d'arrêt, interruptor del apagado)
- D - Primer bulb (poire d'amorçage, bomba de cebado)

Fig. 8



- A - Full choke position (position de volet de départ ouvert, posición de arranque)
- B - Run position (position de marche, posición de marcha)
- C - Choke lever (levier de volet de départ, palanca de arranque)

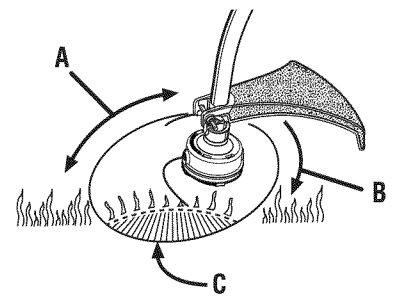
Fig. 9



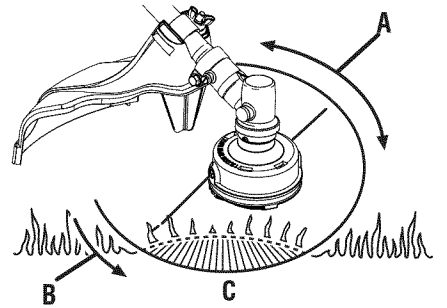
PROPER OPERATING POSITION
BONNE POSITION DE TRAVAIL
POSICIÓN CORRECTA PARA EL MANEJO DE LA HERRAMIENTA

Fig. 10

26CS

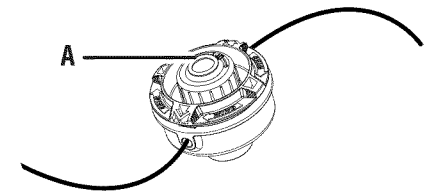


26SS



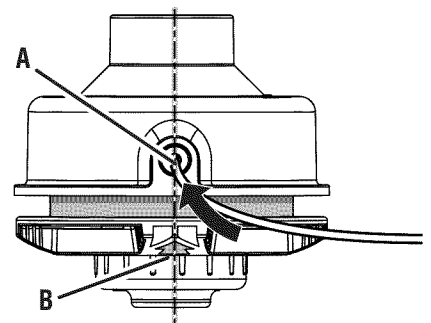
- A - Dangerous cutting area (zone de coupe dangereuse, área peligrosa de corte)
- B - Direction of rotation (sens de rotation, sentido de rotación)
- C - Best cutting area (zone d'efficacité maximum, mejor área de corte)

Fig. 11



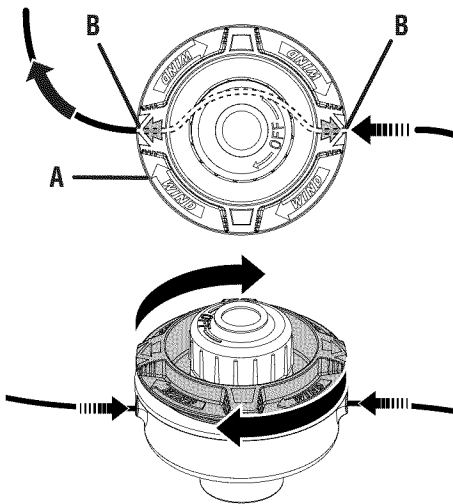
- A - Spool retainer (retenue de bobine, retén del carrete)

Fig. 12



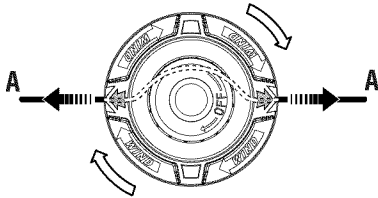
- A - Eyelet (œillet, ojillo)
- B - Arrow on spool (flèche sur la bobine, flecha en el carrete)

Fig. 13



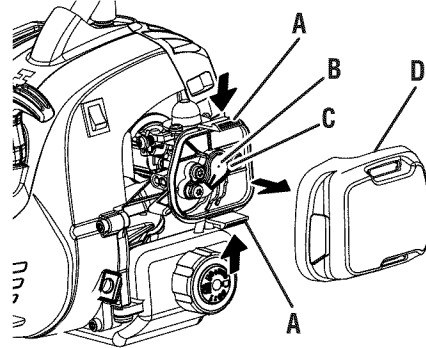
- A - Spool (bobine, carrete)
- B - Eyelets (oeillets, ojillos)

Fig. 14



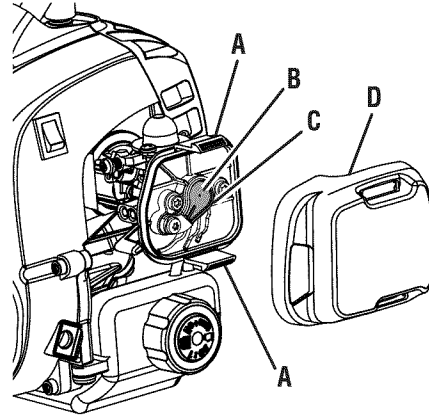
- A - Pull strings (tirer vers l'extérieur, tira del hilo)

Fig. 15



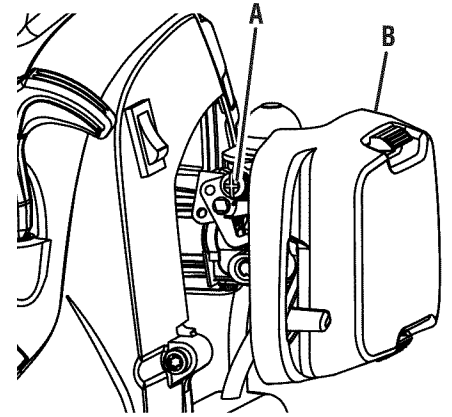
- A - Latches (loquets, pestillos)
- B - Choke plate (volet de départ, placa de obturación)
- C - Filter screen (filtre écran, filtro pantalla)
- D - Air filter cover (couverture du filtre à air, tapa del filtro de aire)

Fig. 16



- A - Latches (loquets, pestillos)
- B - Choke plate (volet de départ, placa de obturación)
- C - Filter screen (filtre écran, filtro pantalla)
- D - Air filter cover (couverture du filtre à air, tapa del filtro de aire)

Fig. 17



- A - Idle speed screw (vis de ralenti, tornillo de ajuste de la velocidad en vacío)
- B - Air filter cover (couverture du filtre à air, tapa del filtro de aire)

TABLE OF CONTENTS

TABLE DES MATIÈRES / ÍNDICE DE CONTENIDO

■ Introduction	2
Introduction / Introducción	
■ General Safety Rules.....	3
Règles de sécurité générales / Reglas de seguridad generales	
■ Specific Safety Rules.....	3
Règles de sécurité particulières / Reglas de seguridad específicas	
■ Symbols.....	4
Symboles / Símbolos	
■ Features.....	5
Caractéristiques / Características	
■ Assembly	5-6
Assemblage / Armado	
■ Operation.....	6-8
Utilisation / Funcionamiento	
■ Maintenance.....	9-10
Entretien / Mantenimiento	
■ Troubleshooting	10-11
Dépannage / Corrección de problema	
■ Warranty	12-14
Garantie / Garantía	
■ Parts Ordering and Service	Back Page
Commande de pièces et réparation / Pedidos de piezas y servicio.....	Page arrière / Pág. posterior

INTRODUCTION

INTRODUCTION / INTRODUCCIÓN

This product has many features for making its use more pleasant and enjoyable. Safety, performance, and dependability have been given top priority in the design of this product making it easy to maintain and operate.

* * *

Ce produit offre de nombreuses fonctions destinées à rendre son utilisation plus plaisante et satisfaisante. Lors de la conception de ce produit, l'accent a été mis sur la sécurité, les performances et la fiabilité, afin d'en faire un outil facile à utiliser et à entretenir.

* * *

Este producto ofrece numerosas características para hacer más agradable y placentero su uso. En el diseño de este producto se ha conferido prioridad a la seguridad, el desempeño y la fiabilidad, por lo cual se facilita su manejo y mantenimiento.

GENERAL SAFETY RULES



WARNING:

Read and understand all instructions. Failure to follow all instructions listed below may result in electric shock, fire and/or carbon monoxide poisoning which will cause death or serious personal injury.

READ ALL INSTRUCTIONS

- For safe operation, read and understand all instructions before using this product. Follow all safety instructions. Failure to follow all safety instructions listed below, can result in serious personal injury.
- Do not allow children or untrained individuals to use this unit.
- Never start or run the engine in a closed or poorly ventilated area; breathing exhaust fumes can kill.
- Clear the work area before each use. Remove all objects such as rocks, broken glass, nails, wire, or string which can be thrown or become entangled in the cutting line or blade.
- Always wear eye protection with side shields marked to comply with ANSI Z87.1, along with hearing protection. Failure to do so could result in objects being thrown into your eyes and other possible serious injuries.
- Wear heavy, long pants, long sleeves, boots, and gloves. Do not wear loose fitting clothing, short pants, sandals, or go barefoot. Do not wear jewelry of any kind.
- Product users on United States Forest Service land, and in some states, must comply with fire prevention regulations. This product is equipped with a spark arrestor; however, other user requirements may apply. Check with your federal, state, or local authorities.
- Never operate this unit on the operator's left side.
- Secure long hair above shoulder level to prevent entanglement in moving parts.
- Keep all bystanders, children, and pets at least 50 ft. away. Bystanders should be encouraged to wear eye protection.
- Do not operate this unit when you are tired, ill, or under the influence of alcohol, drugs, or medication.
- Do not operate in poor lighting.
- Keep firm footing and balance. Do not overreach. Overreaching can result in loss of balance or exposure to hot surfaces. Keep cutting attachment below waist.
- To avoid hot surfaces, never operate the unit with the bottom of the engine above waist level.

- Keep all parts of your body away from any moving part.
- Do not touch area around the muffler or cylinder of the unit; these parts get hot from operation.
- Always stop the engine and remove the spark plug wire before making any adjustments or repairs except for carburetor adjustments.
- Inspect the unit before each use for loose fasteners, fuel leaks, etc. Replace any damaged parts before use.
- The string head will rotate during carburetor adjustments.
- It has been reported that vibrations from hand-held tools may contribute to a condition called Raynaud's Syndrome in certain individuals. Symptoms may include tingling, numbness, and blanching of the fingers, usually apparent upon exposure to cold. Hereditary factors, exposure to cold and dampness, diet, smoking, and work practices are all thought to contribute to the development of these symptoms. It is presently unknown what, if any, vibrations or extent of exposure may contribute to the condition. There are measures that can be taken by the operator to possibly reduce the effects of vibration:
 - a) Keep your body warm in cold weather. When operating the unit wear gloves to keep your hands and wrists warm. It is reported that cold weather is a major factor contributing to Raynaud's Syndrome.
 - b) After each period of operation, exercise to increase blood circulation.
 - c) Take frequent work breaks. Limit the amount of exposure per day.
 - d) Keep the product well maintained, fasteners tightened and worn parts replaced.

If you experience any of the symptoms of this condition, immediately discontinue use and see your physician about these symptoms.

- Mix and store fuel in a container approved for gasoline. Do not smoke while fueling or mixing fuel.
- Mix fuel outdoors where there are no sparks or flames. Wipe up any fuel spillage. Move 30 ft. away from refueling site before starting engine.
- Stop the engine and allow to cool before refueling or storing the unit.
- Allow the engine to cool; empty the fuel tank into a container approved for gasoline and secure the unit from moving before transporting in a vehicle.

SPECIFIC SAFETY RULES




- Replace string head if cracked, chipped, or damaged in any way. Be sure the string head is properly installed and securely fastened. Failure to do so can cause serious injury.
- Make sure all guards, straps, deflectors, and handles are properly and securely attached.
- Never use blades, flailing devices, wire, or rope. Use only the manufacturer's replacement string in the cutting head.

Do not use any other cutting attachment. To install any other brand of cutting head to this string trimmer can result in serious personal injury.








- Never operate unit without the grass deflector in place and in good condition.
- Maintain a firm grip on both handles while trimming. Keep string head below waist level. Never cut with the string head located over 30 in. or more above the ground.

SYMBOLS

The following signal words and meanings are intended to explain the levels of risk associated with this product.

SYMBOL	SIGNAL	MEANING
	DANGER:	Indicates an imminently hazardous situation, which, if not avoided, will result in death or serious injury.
	WARNING:	Indicates a potentially hazardous situation, which, if not avoided, could result in death or serious injury.
	CAUTION:	Indicates a potentially hazardous situation, which, if not avoided, may result in minor or moderate injury.
	CAUTION:	(Without Safety Alert Symbol) Indicates a situation that may result in property damage.

Some of the following symbols may be used on this product. Please study them and learn their meaning. Proper interpretation of these symbols will allow you to operate the product better and safer.

SYMBOL	NAME	EXPLANATION
	Safety Alert Symbol	Indicates a potential personal injury hazard.
	Read Operator's Manual	To reduce the risk of injury, user must read and understand operator's manual before using this product.
	Eye and Hearing Protection	Always wear eye protection with side shields marked to comply with ANSI Z87.1, along with hearing protection.
	Keep Bystanders Away	Keep all bystanders at least 50 ft. away.
	Ricochet	Thrown objects can ricochet and result in personal injury or property damage.
	No Blade	Do not install or use any type of blade on a product displaying this symbol.
	Gasoline and Lubricant	Use unleaded gasoline intended for motor vehicle use with an octane rating of 87 [(R + M) / 2] or higher. This product is powered by a 2-cycle engine and requires pre-mixing gasoline and 2-cycle lubricant.

FEATURES

PRODUCT SPECIFICATIONS

Weight (dry)

26CS9.3 lbs.

26SS10 lbs.

String cutting width17 in.

Engine displacement26cc

String diameter080 in.

KNOW YOUR STRING TRIMMER

See Figure 1.

The safe use of this product requires an understanding of the information on the tool and in this operator's manual as well as a knowledge of the project you are attempting. Before use of this product, familiarize yourself with all operating features and safety rules.

GRASS DEFLECTOR

The trimmer includes a grass deflector that helps protect you from flying debris.

REEL-EASY™ TAP ADVANCE SYSTEM

The Reel-Easy™ Tap Advance System allows easy line advance during trimmer operation.

TOP-MOUNTED MOTOR

The top-mounted motor improves balance and is located away from the dust and debris of the cutting area.

ASSEMBLY

UNPACKING

This product requires assembly.

- Carefully remove the product and any accessories from the box. Make sure that all items listed in the packing list are included.

WARNING:

Do not use this product if any parts on the Packing List are already assembled to your product when you unpack it. Parts on this list are not assembled to the product by the manufacturer and require customer installation. Use of a product that may have been improperly assembled could result in serious personal injury.

- Inspect the product carefully to make sure no breakage or damage occurred during shipping.
- Do not discard the packing material until you have carefully inspected and satisfactorily operated the product.
- If any parts are damaged or missing, please call 1-800-242-4672 for assistance.

PACKING LIST

Trimmer Assembly

Front Handle

String Head Assembly

Spool Retainer

Curved Shaft Grass Deflector – 26CS

PACKING LIST (continued)

Straight Shaft Grass Deflector – 26SS

Bottle of 2-Cycle Lubricant

Operator's Manual

WARNING:

If any parts are damaged or missing, do not operate this product until the parts are replaced. Use of this product with damaged or missing parts could result in serious personal injury.

WARNING:

Do not attempt to modify this product or create accessories not recommended for use with this product. Any such alteration or modification is misuse and could result in a hazardous condition leading to possible serious personal injury.

WARNING:

To prevent accidental starting that could cause serious personal injury, always disconnect the engine spark plug wire from the spark plug when assembling parts.

ASSEMBLY

FRONT HANDLE

See Figure 2.

- Loosen and remove the wing nut, washer, and bolt from the handle.
- Install the handle on the drive shaft housing at the location indicated by the label on the shaft.
- Adjust handle up or down, if necessary, to desired operating position.
- Reinstall the bolt, washer, and wing nut. Tighten wing nut to secure.

NOTE: On units with curved shafts, for shipping purposes only, the handle is located underneath the drive shaft housing. The handle **must** be rotated before operating the trimmer.

- Slightly loosen the wing nut on the handle.
- Rotate the handle on the drive shaft housing at the location indicated by the label on the shaft.
- Retighten the wing nut to secure the handle in place.

STRING HEAD ASSEMBLY

See Figures 3 - 4.

- Place the string head assembly on the end of the drive shaft. Make sure the hex-shaped opening on the string head assembly seats completely on the drive shaft. Install the spool retainer to secure.

Install the spool retainer:

Turn the spool retainer clockwise for 26CS.

Turn the spool retainer counterclockwise for 26SS.

- Remove the plastic seal from the string head assembly. Pull outward on the strings to rotate the spool into the cutting position.
- Push the spool retainer down while pulling on string(s) to manually advance the string and to check for proper assembly of the string head.

CURVED SHAFT GRASS DEFLECTOR – 26CS

See Figure 5.

WARNING:

The line cutting blade on the grass deflector is sharp. Avoid contact with the blade. Failure to avoid contact can result in serious personal injury.

- Remove the bolt, washer, and wing nut from grass deflector.
- Press the grass deflector onto the bottom of the curved shaft as shown.
- Insert the bolt through the grass deflector and the bracket on the curved shaft.
- Place the washer on the bolt.
- Place the wing nut on the bolt and tighten securely.

STRAIGHT SHAFT GRASS DEFLECTOR – 26SS

See Figure 6.

- Remove the wing nut and mounting bracket from the grass deflector.
- Assemble straight shaft grass deflector to drive shaft so that the pin in the grass deflector fits in the locator hole in the lower side of the drive shaft near the gear head.
- Place the mounting bracket over the drive shaft so the square tab on the mounting bracket fits into the slot in the straight shaft grass deflector.
- Rotate the mounting bracket so the screw on the grass deflector goes into the slot on the mounting bracket.
- Reinstall the wing nut and tighten securely.

OPERATION

WARNING:

Do not allow familiarity with this product to make you careless. Remember that a careless fraction of a second is sufficient to inflict serious injury.

WARNING:

Always wear eye protection with side shields marked to comply with ANSI Z87.1, along with hearing protection. Failure to do so could result in objects being thrown into your eyes and other possible serious injuries.

WARNING:

Never use blades, flailing devices, wire, or rope on this product. Do not use any attachments or accessories not recommended by the manufacturer of this product. The use of attachments or accessories not recommended can result in serious personal injury.

Before each use, inspect the entire product for damaged, missing, or loose parts such as screws, nuts, bolts, caps, etc. Tighten securely all fasteners and caps and do not operate this product until all missing or damaged parts are replaced. Please call 1-800-242-4672 or contact an authorized service center for assistance.

OPERATION

FUELING AND REFUELING THE TRIMMER FUEL MIXTURE

This product is powered by a 2-cycle engine and requires premixing gasoline and 2-cycle oil. The mixture should be at a 50:1 ratio.


NOTE: We recommend you use ONLY Homelite lubricant in your product.

TO MIX THE FUEL:

- Use a clean container that is approved for use with gasoline.
- Mix the 2-cycle engine oil with unleaded gasoline in the container, according to the instructions on the oil package.

This engine is certified to operate on unleaded gasoline intended for automotive use with an octane rating of 87 [(R + M) / 2] or higher. Do not use automotive oil or 2-cycle outboard oil.

NOTE: Most fuel mixture will stay fresh up to 30 days. DO NOT mix quantities larger than usable in a 30 day period.

	PREMIUM EXACT MIX (50:1)	
	GASOLINE	LUBRICANT
	1 gallon (US)	2.6 oz.
	1 liter	20 cc (20 ml)

OXYGENATED FUELS

DO NOT USE E85 FUEL. IT WILL VOID YOUR WARRANTY.

NOTE: Fuel system damage or performance problems resulting from the use of an oxygenated fuel containing more than the percentages of oxygenates stated previously **are not covered under warranty.**

Ethanol. Gasoline containing up to 10% ethanol by volume (commonly referred to as E10) or 15% ethanol by volume (commonly referred to as E15) are acceptable.

Do not use E85 fuel.

FILLING TANK

- Clean surface around fuel cap to prevent contamination.
- Set trimmer on its side so that the spout points up.
- Loosen fuel cap slowly. Rest the cap on a clean surface.
- Carefully pour fuel into the tank. Avoid spillage.
- Immediately replace fuel cap and hand tighten. Wipe up any fuel spillage.

NOTE: It is normal for smoke to be emitted from a new engine after first use.

WARNING:

Always shut off engine before fueling. Never add fuel to a machine with a running or hot engine. Move at least 30 ft. from refueling site before starting engine. Do not smoke and stay away from open flames and sparks. Failure to safely handle fuel could result in serious personal injury.

STARTING AND STOPPING

See Figures 7 - 8.

Trimmer should be on a flat, bare surface for starting.


To start a cold engine:

- Slowly press the primer bulb 10 times.
NOTE: After the 7th press, fuel should be visible in the primer bulb. If it is not, continue to press the primer until you see fuel in the bulb.
- Set the choke lever to the **FULL CHOKE** position.
- Squeeze the throttle trigger fully and pull starter handle sharply until engine attempts to run. Do not pull the starter handle more than four (4) times.
NOTE: Keep throttle trigger squeezed fully.
- Set the choke lever to the **HALF CHOKE** position.
- Pull the starter grip until the engine runs. Do not pull the starter grip more than six (6) times.
NOTE: If the engine does not start, return to the full choke position and repeat the steps that follow.
- Allow the engine to run for 10 seconds, then set the choke lever to the **RUN** position.

To restart a warm engine:

- Slowly press the primer bulb 10 times.
- Set the choke lever to the **RUN** position.
- Squeeze the throttle trigger fully and pull the starter handle until the engine runs.

To stop the engine:

- To stop the engine, depress the **STOP** switch to the stop position “”.

IF ASSISTANCE IS REQUIRED STARTING THIS PRODUCT:

Do not return this product to the retail store where it was purchased. Please call our Customer Service Department for any issues you may have.

For Help Call: 1-800-242-4672

OPERATION

OPERATING THE TRIMMER

See Figure 9.

WARNING:

Engine housing may become hot during trimmer operation. Do not rest or place your arm, hand, or any body part against the engine housing during trimmer operation. Only hold the trimmer as shown in Figure 9 with all body parts clear of engine housing. Extended contact with the engine housing may result in burns or other injuries.

WARNING:

Always position the unit on the operator's right side. The use of the unit on the operator's left side will expose the operator to hot surfaces and can result in possible burn injury.

WARNING:

To avoid burns from hot surfaces, never operate unit with the bottom of the engine above waist level.

Hold the trimmer with your right hand on the rear handle and your left hand on the front handle. Keep a firm grip with both hands while in operation. Trimmer should be held at a comfortable position with the rear handle about hip height.

Always operate trimmer at full throttle. Cut tall grass from the top down. This will prevent grass from wrapping around the shaft housing and string head which may cause damage from overheating. If grass becomes wrapped around the string head, STOP THE ENGINE, disconnect the spark plug wire, and remove the grass. Prolonged cutting at partial throttle will result in lubricant dripping from the muffler.

WARNING:

Always hold the string trimmer away from your body, keeping clearance between your body and the product. Any contact with the housing or string trimmer cutting head can result in burns and/or other serious personal injury.

CUTTING TIPS

See Figures 9 - 10.

- Avoid hot surfaces by always keeping the tool away from your body. (Proper operating position shown in figure 9.)
- Keep the trimmer tilted toward the area being cut; this is the best cutting area.
- The curved shaft trimmer cuts when passing the unit from right to left. The straight shaft trimmer cuts when passing the unit from left to right. This will avoid throwing debris at the operator. Avoid cutting in the dangerous area shown in figure 10.
- Use the tip of string to do the cutting; do not force string head into uncut grass.
- Wire and picket fences cause extra string wear, even breakage. Stone and brick walls, curbs, and wood may wear string rapidly.
- Avoid trees and shrubs. Tree bark, wood moldings, siding, and fence posts can easily be damaged by the string.

ADVANCING STRING USING THE REEL-EASY™ TAP ADVANCE SYSTEM

String advance is controlled by tapping string head on grass while running engine at full throttle.

- Run engine at full throttle.
- Tap string head on ground to advance string. String advances each time the head is tapped.
- Several taps may be required until string strikes the cut off blade.
- Resume trimming.

NOTE: If the string is worn too short you may not be able to advance the string by tapping it on the ground. If so, STOP THE ENGINE, disconnect the spark plug wire, and manually advance the string.

ADVANCING THE STRING MANUALLY

With the engine off and the spark plug wire disconnected, push the spool retainer down while pulling on string(s) to manually advance the string.

CUT-OFF BLADE

This trimmer is equipped with a cut-off blade on the grass deflector. For best cutting, advance string by tapping the string head until the string is trimmed to length by the cut-off blade. Advance string whenever you hear the engine running faster than normal, or when trimming efficiency diminishes. This will maintain best performance and keep string long enough to advance properly.

MAINTENANCE

WARNING:

When servicing, use only identical Homelite replacement parts. Use of any other parts may create a hazard or cause product damage.

WARNING:

Always wear eye protection with side shields marked to comply with ANSI Z87.1, along with hearing protection. Failure to do so could result in objects being thrown into your eyes and other possible serious injuries.

WARNING:

Before inspecting, cleaning, or servicing the machine, shut off engine, wait for all moving parts to stop, and disconnect spark plug wire and move it away from spark plug. Failure to follow these instructions can result in serious personal injury or property damage.

GENERAL MAINTENANCE

Avoid using solvents when cleaning plastic parts. Most plastics are susceptible to damage from various types of commercial solvents and may be damaged by their use. Use clean cloths to remove dirt, dust, lubricant, grease, etc.

WARNING:

Do not at any time let brake fluids, gasoline, petroleum-based products, penetrating lubricants, etc., come in contact with plastic parts. Chemicals can damage, weaken or destroy plastic which may result in serious personal injury.

You can often make adjustments and repairs described here. For other repairs, have the trimmer serviced by an authorized service dealer.

SPOOL REPLACEMENT

REEL-EASY™ TAP ADVANCE SYSTEM

See Figures 11 - 12.

If replacing string only, refer to **String Replacement** later in this manual.

Use only .080 in. diameter trimmer line.

- Stop the engine and disconnect the spark plug wire. Hold the string head and unscrew the spool retainer.

To remove the spool retainer:

Turn the spool retainer counterclockwise for 26CS.

Turn the spool retainer clockwise for 26SS.

- Remove the empty spool from the string head.

NOTE: It is not necessary to remove the string head housing from the drive shaft.

- Insert the new spool into the string head.

NOTE: Make sure the arrows on the spool are aligned with the eyelets in the string head housing. Push down and hold the spool and housing together while completing the installation.

- Reinstall the spool retainer to secure.

To install the spool retainer:

Turn the spool retainer clockwise for 26CS.

Turn the spool retainer counterclockwise for 26SS.

- Install string as described in **String Replacement**.

STRING REPLACEMENT

See Figures 12 - 14.

- Stop the engine and disconnect the spark plug wire.
- Rotate the spool clockwise as necessary to align the arrows on the spool with the eyelets in the string head housing.
- Cut one piece of trimmer line 15 ft. long. Insert the line into the eyelet on the string trimmer housing. Push until the end of the line comes out the other side of the string head. Pull the line from the other side until equal amounts of line appear on both sides of the spool.
- Rotate the spool clockwise to wind the string on the spool until approximately 6 in. of line is showing on each side.
- Push the spool retainer down while pulling on string(s) to manually advance the string and to check for proper assembly of the string head.

CLEANING THE EXHAUST PORT

Depending on the type of fuel used, the type and amount of lubricant used, and/or your operating conditions, the exhaust port may become blocked with carbon deposits. If you notice a power loss with your gas powered tool, you may need to remove these deposits to restore performance. We highly recommend that only qualified service technicians perform this service.

SPARK ARRESTOR

The spark arrestor must be replaced every 50 hours or yearly to ensure proper performance of the product. Spark arrestors may be in different locations depending on the model purchased. Please contact the nearest service dealer for the location of the spark arrestor for your model.

CLEANING THE AIR FILTER SCREEN

See Figures 15 - 16.

For proper performance and long life, keep air filter screen clean.

- Remove the air filter cover by pushing down on the latches while gently pulling off the cover.
- Rotate choke plate to reveal filter screen.
- Brush the air filter screen lightly to clean.
- Replace the air filter cover by inserting the tabs on the bottom of the cover into the slots on the air filter base; push the cover up until it latches securely in place.

MAINTENANCE

FUEL CAP

WARNING:

Check for fuel leaks. A leaking fuel cap is a fire hazard and must be replaced immediately. If you find any leaks, correct the problem before using the product. Failure to do so could result in a fire that could cause serious personal injury.

The fuel cap contains a non-serviceable filter and a check valve. A clogged fuel filter will cause poor engine performance. If performance improves when the fuel cap is loosened, check valve may be faulty or filter clogged. Replace fuel cap if required.

SPARK PLUG

This engine uses a Champion RCJ6Y or equivalent spark plug with .025 in. electrode gap. Use an exact replacement and replace annually, or more frequently if necessary.

STORING THE TRIMMER

- Clean all foreign material from the trimmer. Store it in a well-ventilated place that is inaccessible to children. Keep away from corrosive agents such as garden chemicals and de-icing salts.
- Abide by all Federal and local regulations for the safe storage and handling of gasoline.

WHEN STORING 1 MONTH OR LONGER:

- Drain all fuel from tank into a container approved for gasoline. Run engine until it stops.

TROUBLESHOOTING

Problem	Possible Cause	Solution
Engine will not start.	<p>No spark.</p> <p>No fuel.</p> <p>Engine is flooded.</p> <p>Starter rope pulls harder now than when new.</p>	<p>Check spark. Remove spark plug. Re-attach the spark plug cap and lay spark plug on metal cylinder. Pull the starter rope and watch for spark at spark plug tip. If there is no spark, repeat test with a new spark plug.</p> <p>Push primer bulb until bulb is full of fuel. If bulb does not fill, primary fuel delivery system is blocked. Contact a servicing dealer. If primer bulb fills, engine may be flooded, proceed to next item.</p> <p>Remove spark plug, turn trimmer so spark plug hole is aimed at the ground. Rotate the choke dial to "RUN" position and pull starter cord 10 to 15 times. This will clear excess fuel from engine. Clean and reinstall spark plug. Pull starter three times with choke dial at "RUN". If engine does not start, rotate choke dial to "FULL CHOKE" position and repeat normal starting procedure. If engine still fails to start, repeat procedure with a new spark plug.</p> <p>Contact an authorized servicing dealer.</p>

TROUBLESHOOTING

Problem	Possible Cause	Solution
Engine starts but will not accelerate.	Engine requires approximately three minutes to warm up.	Allow engine to completely warm up. If engine does not accelerate after three minutes, contact a servicing dealer.
Engine starts but will only run at high speed at half choke.	Carburetor requires adjustment.	Contact an authorized servicing dealer.
Engine does not reach full speed and emits excessive smoke.	Check lubricant fuel mixture. Air filter is dirty. Carburetor out of adjustment.	Use fresh fuel and the correct 2-cycle lubricant mix. Clean air filter. Refer to Cleaning the Air Filter Screen earlier in this manual. Contact an authorized servicing dealer.
Engine starts, runs, and accelerates but will not idle.	Idle speed screw on carburetor needs adjustment.	Turn idle speed screw clockwise to increase idle speed. <i>See figure 17.</i>
String will not advance.	String is welded to itself. Not enough string on spool. String is worn too short. String is tangled on spool. Engine speed is too slow.	Lubricate with silicone spray. Install more string. Refer to String Replacement earlier in this manual. Pull strings while alternately pressing down on and releasing spool retainer. Remove string from spool and rewind. Refer to String Replacement earlier in this manual. Advance string at full throttle.
Spool retainer hard to turn.	Screw threads are dirty or damaged.	Clean threads and lubricate with grease – if no improvement, replace the spool retainer.
Grass wraps around drive shaft housing and string head.	Cutting tall grass at ground level. Operating trimmer at part throttle.	Cut tall grass from the top down to prevent wrapping. Operate trimmer at full throttle.
Lubricant drips from muffler.	Operating trimmer at part throttle. Check lubricant/fuel mixture. Air filter screen dirty.	Operate trimmer at full throttle. Use fresh fuel and the correct 2-cycle lubricant mix. Clean air filter. Refer to Cleaning the Air Filter Screen earlier in this manual.

WARRANTY

LIMITED WARRANTY STATEMENT

Homelite Consumer Products, Inc., (“Homelite”) warrants to the original retail purchaser that this HOMELITE brand outdoor product is free from defect in material and workmanship and agrees to repair or replace, at Homelite’s, discretion, any defective product free of charge within these time periods from the date of purchase.

- Two years for all models if used for personal, family, or household use;
- 90 days for any unit used for other purposes, such as rental or commercial.

This warranty extends to the original retail purchaser only and commences on the date of the original retail purchase.

Any part of the this product manufactured or supplied by Homelite and found in the reasonable judgment of Homelite to be defective in material or workmanship will be repaired or replaced without charge for parts and labor by a Homelite authorized service center.

The product, including any defective part, must be returned to an authorized service dealer within the warranty period. The expense of delivering the product to the dealer for warranty work and the expense of returning it back to the owner after repair or replacement will be paid by the owner. Homelite’s responsibility in respect to claims is limited to making the required repairs or replacements and no claim of breach of warranty shall be cause for cancellation or rescission of the contract of sale of any HOMELITE brand product. Proof of purchase will be required by the dealer to substantiate any warranty claim. All warranty work must be performed by a Homelite authorized service center.

This warranty is limited to ninety (90) days from the date of original retail purchase for any HOMELITE brand product that is used for rental or commercial purposes, or any other income-producing purpose.

This warranty does not cover any HOMELITE brand product that has been subject to misuse, neglect, negligence, or accident, or that has been operated in any way contrary to the operating instructions as specified in this operator’s manual. This warranty does not apply to any damage to the product that is the result of improper maintenance or to any product that has been altered or modified. The warranty does not extend to repairs made necessary by normal wear or by the use of parts or accessories which are either incompatible with the HOMELITE brand product or adversely affect its operation, performance, or durability. In addition, this warranty does not cover:

- A. Tune-ups – Spark Plugs, Carburetor, Carburetor Adjustments, Ignition, Filters

- B. Wear items – Bump Knobs, Outer Spools, Cutting Lines, Inner Reels, Starter Pulleys, Starter Ropes, Drive Belts, Tines, Felt Washers, Hitch Pins, Mulching Blades, Blower Fans, Blower and Vacuum Tubes, Vacuum Bags and Straps, Guide Bars, Saw Chains

Homelite reserves the right to change or improve the design of any HOMELITE brand product without assuming any obligation to modify any product previously manufactured.

ALL IMPLIED WARRANTIES ARE LIMITED IN DURATION TO THE STATED WARRANTY PERIOD. ACCORDINGLY, ANY SUCH IMPLIED WARRANTIES INCLUDING MERCHANTABILITY, FITNESS FOR A PARTICULAR PURPOSE, OR OTHERWISE, ARE DISCLAIMED IN THEIR ENTIRETY AFTER THE EXPIRATION OF THE APPROPRIATE TWO-YEAR, ONE-YEAR, OR NINETY-DAY WARRANTY PERIOD. HOMELITE’S OBLIGATION UNDER THIS WARRANTY IS STRICTLY AND EXCLUSIVELY LIMITED TO THE REPAIR OR REPLACEMENT OF DEFECTIVE PARTS AND HOMELITE DOES NOT ASSUME OR AUTHORIZE ANYONE TO ASSUME FOR THEM ANY OTHER OBLIGATION. SOME STATES DO NOT ALLOW LIMITATIONS ON HOW LONG AN IMPLIED WARRANTY LASTS, SO THE ABOVE LIMITATION MAY NOT APPLY TO YOU. HOMELITE ASSUMES NO RESPONSIBILITY FOR INCIDENTAL, CONSEQUENTIAL, OR OTHER DAMAGES INCLUDING, BUT NOT LIMITED TO, EXPENSE OF RETURNING THE PRODUCT TO AN AUTHORIZED HOMELITE SERVICE CENTER AND EXPENSE OF DELIVERING IT BACK TO THE OWNER, MECHANIC’S TRAVEL TIME, TELEPHONE OR TELEGRAM CHARGES, RENTAL OF A LIKE PRODUCT DURING THE TIME WARRANTY SERVICE IS BEING PERFORMED, TRAVEL, LOSS OR DAMAGE TO PERSONAL PROPERTY, LOSS OF REVENUE, LOSS OF USE OF THE PRODUCT, LOSS OF TIME, OR INCONVENIENCE. SOME STATES DO NOT ALLOW THE EXCLUSION OR LIMITATION OF INCIDENTAL OR CONSEQUENTIAL DAMAGES, SO THE ABOVE LIMITATION OR EXCLUSION MAY NOT APPLY TO YOU.

This warranty gives you specific legal rights, and you may also have other rights which vary from state to state.

This warranty applies to all HOMELITE brand products manufactured by or for Homelite and sold in the United States and Canada.

To locate your nearest Homelite authorized service center, dial 1-800-242-4672 or log on to our website at www.homelite.com.

WARRANTY

THE FOLLOWING CALIFORNIA AIR RESOURCES BOARD (CARB) STATEMENT ONLY APPLIES TO MODEL NUMBERS REQUIRED TO MEET THE CARB REQUIREMENTS.

HOMELITE CONSUMER PRODUCTS, INC., LIMITED WARRANTY STATEMENT FOR FEDERAL AND CALIFORNIA EMISSION CONTROL SYSTEMS NON-ROAD AND SMALL OFF-ROAD ENGINES

YOUR WARRANTY RIGHTS AND OBLIGATIONS

The U.S. Environmental Protection Agency (EPA), the California Air Resources Board (CARB), and Homelite Consumer Products, Inc., are pleased to explain the Emissions Control System Warranty on your 2010 model year non-road or small off-road engine. In California, new equipment that uses small off-road engines must be designed, built, and equipped to meet the state's stringent anti-smog standards. In other states, new 2000 and later model year non-road engines must be designed, built, and equipped at the time of sale to meet the U.S. EPA regulations for small non-road engines. The non-road engine must be free from defects in materials and workmanship which cause it to fail to conform with U.S. EPA standards for the first two years of engine use from the date of sale to the ultimate purchaser. Homelite Consumer Products, Inc., must warrant the emission control system on your non-road or small off-road engine for the period of time listed above provided there has been no abuse, neglect, or improper maintenance of your non-road or small off-road engine.

Your emission control system may include parts such as the carburetor or fuel injection system, the ignition system, catalytic converters, fuel tanks, valves, filters, clamps, connectors, and other associated components. Also included may be hoses, belts and connectors, and other emission-related assemblies.

Where a warrantable condition exists, Homelite Consumer Products, Inc., will repair your non-road or small off-road engine at no cost to you, including diagnosis, parts, and labor performed at an authorized service center for HOMELITE® brand outdoor products.

MANUFACTURER'S WARRANTY COVERAGE:

This product's emissions control system is warranted for two years. If any emission-related part on your engine is defective, the part will be repaired or replaced by Homelite Consumer Products, Inc., free of charge.

OWNER'S WARRANTY RESPONSIBILITIES

(a) As the non-road or small off-road engine owner, you are responsible for the performance of the required maintenance listed in your operator's manual. Homelite Consumer Products, Inc., recommends that you retain all receipts covering maintenance on your non-road or small off-road engine, but Homelite Consumer Products, Inc., cannot deny warranty solely for the lack of receipts or for your failure to ensure the performance of all scheduled maintenance. Any replacement part or service that is equivalent in performance and durability may be used in non-warranty maintenance or repairs, and shall not reduce the warranty obligations of Homelite Consumer Products, Inc.

(b) As the non-road or small off-road engine owner, you should be aware, however, that Homelite Consumer Products, Inc., may deny you warranty coverage if your non-road or small off-road engine or a part has failed due to abuse, neglect, improper maintenance, or unapproved modifications.

(c) You are responsible for presenting your non-road or small off-road engine to an authorized service dealer as soon as a problem exists. The warranty repairs should be completed in a reasonable amount of time, not to exceed 30 days.

If you have any questions regarding your warranty rights and responsibilities, you should contact a Homelite Consumer Products, Inc., Customer Representative at 1-800-242-4672.

DEFECT WARRANTY COVERAGE REQUIREMENTS:

(a) The warranty period begins on the date the engine or equipment is delivered to an ultimate purchaser.

(b) General Emissions Warranty Coverage. Homelite Consumer Products, Inc., warrants to the ultimate purchaser and each subsequent purchaser that your non-road or small off-road engine is designed, built, and equipped at the time of sale to conform with all applicable regulations adopted by the California Air Resources Board or the United States Environmental Protection Agency; and that it is free from defects in materials and workmanship which cause the engine to fail to conform with applicable regulations for a period of two years from the date the non-road or small off-road engine is purchased by the initial purchaser.

(c) The warranty on emissions-related parts will be interpreted as follows: Any warranted part that is not scheduled for replacement as required in the Emissions Maintenance Schedule and Warranty Parts List set forth below is warranted for two years. If any such part (including any part that is scheduled only for regular inspection) fails during the period of warranty coverage, it will be repaired or replaced at any HOMELITE® Authorized Service Center at no charge. Any such part repaired or replaced under warranty will be warranted for the remaining warranty period. A statement to the effect of "repair or replace as necessary" would not reduce the period of warranty coverage. Any warranted part that is scheduled for replacement as required maintenance in the Emissions Maintenance Schedule and Warranty Parts List is warranted for the period of time prior to the first scheduled replacement point for that part. Any such part repaired or replaced under warranty is warranted for the remainder of the period prior to the first scheduled replacement point, and will be repaired or replaced at any HOMELITE® Authorized Service Center for no charge until that replacement point is reached.

Homelite Consumer Products, Inc., shall remedy warranty defects at any authorized HOMELITE® Authorized Service Center, including any distribution center that may be franchised to service the subject engines. Any diagnostic work done at a HOMELITE® Authorized Service Center shall be free of charge to the owner if such work determines that a warranted part is defective. Any manufacturer-approved or equivalent replacement part may be used for any warranty maintenance or repairs on emission-related parts, and must be provided free of charge to the owner if the part is still under warranty. Homelite Consumer Products, Inc., is liable for damages to other engine components caused by the failure of a warranted part still under warranty.

Add-on or modified parts that are not exempted by the California Air Resource Board may not be used. The use of any non-exempted add-on or modified parts will be grounds for disallowing a warranty claim. Homelite Consumer Products, Inc., will not be liable to warrant failures of warranted parts caused by the use of a non-exempted add-on or modified part.

The California Air Resources Board's Emission Warranty Parts List specifically defines the emission-related warranted parts. (EPA's regulations do not include a parts list, but the EPA considers emission-related warranted parts to include all the parts listed below.) Homelite Consumer Products, Inc., will provide any documents that describe its warranty procedures or policies within five days upon request by the California Air Resources Board.

EMISSIONS PARTS LIST

Emissions parts vary from product to product. Your emissions control system warranty applies to any of the following components that may be included on your product:

- (1) Fuel Metering System
 - (i) Carburetor and internal parts (and/or pressure regulator or fuel injection system).
 - (ii) Air/fuel ratio feedback and control system.
 - (iii) Cold start enrichment system.
 - (iv) Fuel Tank.
- (2) Air Induction System
 - (i) Controlled hot air intake system.
 - (ii) Intake manifold.
 - (iii) Air filter.
- (3) Ignition System
 - (i) Spark Plugs.
 - (ii) Magneto or electronic ignition system.
 - (iii) Spark advance/retard system.
- (4) Exhaust Gas Recirculation (EGR) System
 - (i) EGR valve body and carburetor spacer, if applicable.
 - (ii) EGR rate feedback and control system.
- (5) Air Injection System
 - (i) Air pump or pulse valve.
 - (ii) Valves affecting distribution of flow.
 - (iii) Distribution manifold.
- (6) Catalyst or Thermal Reactor System
 - (i) Catalytic converter.
 - (ii) Thermal reactor.
 - (iii) Exhaust manifold.
- (7) Particulate Controls
 - (i) Traps, filters, precipitators, and any other device used to capture particulate emissions.
- (8) Miscellaneous Items Used in Above Systems
 - (i) Electronic controls.
 - (ii) Vacuum, temperature, and time sensitive valves and switches.
 - (iii) Hoses, belts, connectors, and assemblies.

Homelite Consumer Products, Inc., will furnish with each new engine written instructions for its maintenance and use by the owner.

The Emissions Compliance Period referred to on the Emissions Compliance label indicates the number of operating hours for which the engine has been shown to meet Federal emission requirements. Category C=50 hours, B=125 hours, and A=300 hours.

WARRANTY

THIS PRODUCT WAS MANUFACTURED WITH A CATALYST MUFFLER

Congratulations! You have made an investment toward protecting the environment. In order to maintain this product's original emission level, please refer to the maintenance section below.

EMISSIONS MAINTENANCE SCHEDULE AND WARRANTED PARTS LIST

Emissions Parts	Inspect Before Each Use	Clean Every 5 Hours	Replace Every 25 Hours or Yearly	Clean Every 25 Hours or Yearly	Replace Every 50 Hours
CATALYTIC MUFFLER ASSEMBLY					X
AIR FILTER ASSY					
INCLUDES:					
SCREEN					X
FUEL TANK ASSY					
INCLUDES:					
FUEL LINES					X
FUEL CAP					X
IGNITION ASSY					
INCLUDES:					
SPARK PLUG					X
ALL EMISSIONS-RELATED PARTS ARE WARRANTED FOR TWO YEARS OR FOR THE PERIOD OF TIME PRIOR TO THE PARTS FIRST SCHEDULED REPLACEMENT WHICHEVER COMES FIRST.					



MAKE THE MOST OF YOUR PURCHASE!

Go to www.homelite.com and register your new tool on-line.
 Your product has been fully tested prior to shipment to ensure your complete satisfaction.
 For any questions about operating or maintaining your product, call the Homelite Help Line!

To register your Homelite product by regular mail, please print the following information on a 3 in. x 5 in. card or standard postcard: your name, mailing address, phone numbers, email address, Homelite product(s) purchased with item number from package, and serial number for each product. Mail the card to: Homelite Consumer Products, Attn. Homelite Registration, 1428 Pearman Dairy Road, Anderson, SC 29625. To receive information on our company and products, please include the following statement on your registration card: "Send me information on your products and company using the contact information I am providing with this product registration."

RÈGLES DE SÉCURITÉ GÉNÉRALES

AVERTISSEMENT :

Lire et veiller à bien comprendre toutes les instructions. Le non-respect de toutes les instructions ci-dessous peut entraîner un choc électrique, un incendie et/ou intoxication au monoxyde de carbone qui causant des blessures graves ou mortelles.

LIRE TOUTES LES INSTRUCTIONS

- Pour travailler en toute sécurité, lire et veiller à bien comprendre toutes les instructions avant d'utiliser ce produit. Respecter toutes les instructions de sécurité. Le non respect des instructions de sécurité ci-dessous peut entraîner des blessures graves.
- Ne pas laisser des enfants ou personnes n'ayant pas reçu une formation adéquate utiliser cet outil.
- Ne jamais lancer ou faire tourner le moteur dans un endroit clos ou mal aéré. Les gaz d'échappement peuvent être mortels.
- Déblayer la zone de travail avant chaque utilisation. La débarrasser de tous les objets tels que cailloux, verre brisé, clous, fils métalliques, cordes, etc. risquant d'être projetés ou de se prendre dans la ligne de coupe ou la lame.
- Toujours porter une protection oculaire certifiée conforme à la norme ANSI Z87.1 ainsi qu'une protection auditive. Si cette précaution n'est pas prise, des objets peuvent être projetés dans les yeux et causer des lésions graves.
- Porter des pantalons longs, manches longues, des chaussures de travail et des gants épais. Ne pas porter de vêtements amples, bijoux, shorts, sandales et ne pas travailler pieds nus. Ne porter aucun bijou.
- Les produits utilisés sur les territoires des services forestiers des États-Unis et de certains états doivent être conformes aux réglementations de lutte contre l'incendie. Cet outil est doté d'un pare-étincelles, toutefois, d'autres dispositifs peuvent être requis. Consulter les autorités locales et gouvernementales.
- Ne jamais utiliser cet outil en le tenant du côté gauche.
- Attacher les cheveux longs pour les maintenir au-dessus des épaules, afin qu'ils ne se prennent pas dans les pièces en mouvement.
- Garder les badauds, enfants et animaux à une distance de 15 m (50 pi) minimum. Recommander aux personnes présente de porter une protection oculaire.
- Ne pas utiliser ce taille-bordures en état de fatigue, si l'on est souffrant ou sous l'influence de l'alcool, de drogues ou de médicaments.
- Ne pas travailler sous un éclairage insuffisant.
- Se tenir bien campé et en équilibre. Ne pas travailler hors de portée. Le travail hors de portée risque de faire perdre l'équilibre ou de causer un contact avec les pièces brûlantes. Gardez le dispositif de coupe sous la taille.
- Garder toutes les parties du corps à l'écart des pièces en mouvement.

- Pour éviter le contact avec les parties brûlantes, ne jamais travailler avec le bas du moteur au-dessus du niveau de la taille.
- Ne pas toucher les alentours de l'échappement ou du cylindre, qui deviennent brûlants pendant l'utilisation.
- Toujours arrêter le moteur et débrancher le fil de la bougie avant d'effectuer tout entretien ou réglage, à l'exception des réglages du carburateur.
- Inspecter l'outil avant chaque utilisation pour s'assurer qu'il n'y a pas de pièces desserrées, de fuites de carburant, etc. Remplacer les pièces endommagées avant utilisation.
- La tête de coupe tourne pendant le réglage du carburateur.
- Il a été rapporté que, chez certaines personnes, les vibrations produites par les outils à main motorisés peuvent contribuer au développement d'une affection appelée syndrome de Raynaud. Les symptômes peuvent inclure des picotements, l'insensibilisation et le blanchissement des doigts et sont habituellement provoqués par l'exposition au froid. L'hérédité, l'exposition au froid et à l'humidité, le régime alimentaire, la fumée et les habitudes de travail sont tous des facteurs considérés comme contribuant au développement de ces symptômes. Il n'existe actuellement aucune preuve qu'un certain type de vibration ou le degré d'exposition contribue réellement au développement de cette affection. Certaines mesures, susceptibles de réduire les effets des vibrations, peuvent être prises par l'opérateur :
 - a) Garder le corps au chaud par temps froid. Pendant l'utilisation, porter des gants afin de tenir les mains et les poignets au chaud. Il a été établi que le froid est l'une des principales causes du symptôme de Raynaud.
 - b) Après chaque période d'utilisation, faire des exercices pour accroître la circulation.
 - c) Faire des pauses fréquentes. Limiter la durée d'exposition quotidienne.
 - d) Garder le produit bien entretenu, toutes les pièces de boulonnerie serrées et remplacer les pièces usées.En cas d'apparition de l'un ou plusieurs des symptômes décrits ci-dessus, cesser d'utiliser l'outil et consulter un médecin.
- Mélanger et conserver le carburant dans un bidon ou jerrycan approuvé pour l'essence. Ne pas fumer pendant le ravitaillement en carburant ou de mélange de carburant.
- Mélanger le carburant à l'extérieur, loin de toute flamme ou source d'étincelles. Essuyer tout carburant répandu. S'éloigner de 9 m (30 pi) du point d'approvisionnement avant de lancer le moteur.
- Arrêter le moteur et le laisser refroidir avant de faire le plein ou de le remiser.
- Pour le transport dans un véhicule, le réservoir doit être vidé dans un bidon ou jerrycan approuvé pour l'essence et l'outil bien arrimé.

RÈGLES DE SÉCURITÉ PARTICULIÈRES




- Si la tête de coupe est fendue, brisée ou endommagée de quelque façon que ce soit, la remplacer. S'assurer que la tête de coupe est correctement installée et solidement assujettie. S'il ne le sont pas, l'opérateur court des risques de blessures graves.
- S'assurer que tous les dispositifs de protection, déflecteurs et poignées sont correctement installés et solidement assujettis.
- Ne jamais utiliser de lames ou de dispositifs à fléau, fil et cordes. Utiliser exclusivement des lignes de coupe d'origine. Ne pas

utiliser d'autres accessoires de coupe. L'utilisation d'une tête de coupe d'autre marque sur ce taille-bordures peut entraîner des blessures graves.








- Ne jamais utiliser l'outil si le déflecteur d'herbe n'est pas en place et en bon état.
- Tenir fermement les deux poignées pendant le travail. Tenir la tête de coupe au-dessous du niveau de la taille. Ne jamais tailler avec la tête de coupe à plus de 762 mm (30 po) du sol.

SYMBOLES

Les termes de mise en garde suivants et leur signification ont pour but d'expliquer le degré de risques associé à l'utilisation de ce produit.

SYMBOLE	SIGNAL	SIGNIFICATION
	DANGER :	Indique une situation extrêmement dangereuse qui, si elle n'est pas évitée, aura pour conséquences des blessures graves ou mortelles.
	AVERTISSEMENT :	Indique une situation potentiellement dangereuse qui, si elle n'est pas évitée, pourrait entraîner des blessures graves ou mortelles.
	ATTENTION :	Indique une situation potentiellement dangereuse qui, si elle n'est pas évitée, pourrait entraîner des blessures légères ou de gravité modérée.
	ATTENTION :	(Sans symbole d'alerte de sécurité) Indique une situation pouvant entraîner des dommages matériels.

Certains des symboles ci-dessous peuvent être utilisés sur l'outil. Veiller à les étudier et apprendre leur signification pour assurer la sécurité d'utilisation.

SYMBOLE	NOM	EXPLICATION
	Symbole d'alerte de sécurité	Indique un danger potentiel de blessure.
	Lire le manuel d'utilisation	Pour réduire les risques de blessures, l'utilisateur doit lire et veiller à bien comprendre le manuel d'utilisation avant d'utiliser ce produit.
	Protection oculaire et auditive	Toujours porter une protection oculaire certifiée conforme à la norme ANSI Z87.1 ainsi qu'une protection auditive.
	Ne laisser personne s'approcher	Garder les badauds à une distance de 15 m (50 pi) minimum.
	Ricochet	Les objets projetés peuvent ricocher et infliger des blessures ou causer des dommages matériels.
	Ne pas utiliser de lame	Ne jamais utiliser une lame quelconque sur un outil portant ce symbole.
	Essence et lubrifiant	Utiliser de l'essence sans plomb pour automobiles, avec un indice d'octane de 87 [(R + M) / 2] ou plus. Cet outil utilise un moteur deux temps qui nécessite le mélange d'essence et d'lubrifiant 2 temps.

CARACTÉRISTIQUES

FICHE TECHNIQUE

Poids (sec)

26CS..... 4,2 kg (9,3 lb)

26SS..... 4,5 kg (10,0 lb)

Largeur de coupe..... 432 mm (17 po)

Cylindrée..... 26 cc

Diamètre de coupe..... 2,0 mm (0,080 po)

APPRENDRE À CONNAÎTRE LE TAILLE-BORDURES

Voir la figure 1.

L'utilisation sûre de ce produit exige une compréhension des renseignements figurant sur l'outil et contenus dans le manuel d'utilisation, ainsi qu'une bonne connaissance du projet entrepris. Avant d'utiliser ce produit, se familiariser avec toutes ses caractéristiques et règles de sécurité.

DÉFLECTEUR D'HERBE

Le taille-bordures est équipé d'un déflecteur d'herbe qui protège l'opérateur des débris projetés.

AVANCE DE LA LIGNE DE COUPE À CHOC REEL-EASY™

Le système Reel-Easy™ permet d'avancer la ligne facilement et tapant la tête de coupe contre le sol.

MOTEUR MONTÉ EN HAUT

Le moteur est monté en haut de l'outil afin d'assurer un bon équilibre de l'outil et de le maintenir loin de la poussière et des débris de coupe.

ASSEMBLAGE

DÉBALLAGE

Ce produit doit être assemblé.

- Avec précaution, sortir le produit et les accessoires de la boîte. S'assurer que toutes les pièces figurant sur la liste de contrôle sont incluses.

AVERTISSEMENT :

Ne pas utiliser le produit si, en le déballant, vous constatez que des éléments figurant dans la liste d'expédition sont déjà assemblés. Certaines pièces figurant sur cette liste n'ont pas été assemblées par le fabricant et exigent une installation. Le fait d'utiliser un produit qui a été assemblé de façon inadéquate peut entraîner des blessures.

- Examiner soigneusement le produit pour s'assurer que rien n'a été brisé ou endommagé en cours de transport.
- Ne pas jeter les matériaux d'emballage avant d'avoir soigneusement examiné le produit et avoir vérifié qu'il fonctionne correctement.
- Si des pièces sont manquantes ou endommagées, appeler le 1-800-242-4672.

LISTE DE CONTRÔLE D'EXPÉDITION

Assemblage du taille-bordures

Poignée avant

Tête de coupe à ligne

Retenue de bobine

Déflecteur d'herbe d'arbre courbe – 26CS

Déflecteur d'herbe d'arbre droit – 26SS

Flacon d'lubrifiant 2 temps

Manuel d'utilisation

AVERTISSEMENT :

Si des pièces manquent ou sont endommagées, ne pas utiliser ce produit avant qu'elles aient été remplacées. Le fait d'utiliser ce produit même s'il contient des pièces endommagées ou s'il lui manque des pièces peut entraîner des blessures graves.

AVERTISSEMENT :

Ne pas essayer de modifier ce produit ou de créer des accessoires non recommandés pour ce produit. De telles altérations ou modifications sont considérées comme un usage abusif et peuvent créer des conditions dangereuses, risquant d'entraîner des blessures graves.

AVERTISSEMENT :

Pour empêcher un démarrage accidentel pouvant entraîner des blessures graves, toujours déconnecter le fil de bougie de moteur de la bougie d'allumage avant d'assembler des pièces.

POIGNÉE AVANT

Voir la figure 2.

- Desserrer et retirer l'écrou à oreilles, la rondelle de frein, la rondelle et la ceinture de la poignée.
- Installer la poignée dans le logement de l'arbre de transmission à l'endroit indiqué sur l'étiquette sur l'arbre de transmission.

ASSEMBLAGE

- Ajuster la poignée vers le haut ou vers le bas, si nécessaire, à la position d'opération désirée.
- Réinstaller la ceinture, la rondelle, la rondelle de frein et l'écrou à oreilles.

NOTE : Pour unité avec arbre courbe, la poignée est située en dessous du logement de l'arbre d'entraînement à des fins d'expédition. L'utilisateur **doit** faire pivoter la poignée avant d'utiliser le taille-bordures.

- Desserrer légèrement l'écrou à oreilles se trouvant sur la poignée.
- Tourner la poignée dans le logement de l'arbre de transmission à l'endroit indiqué sur l'étiquette sur l'arbre de transmission.
- Resserrer l'écrou à oreilles pour fixer la poignée en place.

TÊTE DE COUPE À LIGNE

Voir les figures 3 et 4.

- Mettre la tête de ligne au bout du logement de l'arbre de transmission. S'assurer que l'orifice hexagonal de la tête de ligne s'appuie complètement sur l'arbre de transmission. Installer la retenue de bobine pour bien attacher.

Installer la retenue de bobine :

Sur les modèles 26CS, tourner la retenue de bobine vers la droite.

Sur les modèles 26SS, tourner la retenue de bobine vers la gauche.

- Séparer la étanchéité en plastique de bobine de la tête de ligne. Tirer vers l'extérieur sur le ligne pour tourner le tiroir cylindrique dans la position de coupe.
- Appuyer sur la retenue de bobine tout en tirant sur la ou les ligne(s) pour les avancer manuellement et vérifier le montage de la tête de coupe.

DÉFLECTEUR POUR ARBRE COURBE – 26CS

Voir la figure 5.

AVERTISSEMENT :

La lame coupe ligne du déflecteur est tranchante. Éviter de la toucher. Le contact avec la lame peut causer des blessures graves.

- Retirer boulon à six pans, la rondelle et l'écrou papillon du déflecteur d'herbe.
- Emboîter le déflecteur d'herbe sur le bas de l'arbre courbe, comme illustré.
- Insérer le boulon à six pans dans le déflecteur d'herbe et le support de l'arbre courbe.
- Installer la rondelle sur le boulon à six pans.
- Installer l'écrou papillon sur le boulon et le serrer fermement.

DÉFLECTEUR D'HERBE POUR ARBRE DROIT – 26SS

Voir la figure 6.

- Retirer l'écrou papillon et le support de montage du déflecteur d'herbe.
- Installer le déflecteur d'herbe pour arbre droit sur l'arbre moteur, de manière à ce que la cheville du déflecteur s'engage dans le trou du bas de l'arbre, proche du carter d'engrenages.
- Placer le support de montage sur l'arbre moteur, de manière à ce que la languette carrée du support s'engage dans la fente du déflecteur.
- Tourner le support de montage, de façon à ce que la vis du déflecteur d'herbe s'engage dans la fente du support de montage.
- Installer l'écrou papillon et le serrer fermement.

UTILISATION

AVERTISSEMENT :

Ne pas laisser la familiarité avec le produit faire oublier la prudence. Ne pas oublier qu'une fraction de seconde d'inattention peut entraîner des blessures graves.

AVERTISSEMENT :

Toujours porter une protection oculaire certifiée conforme à la norme ANSI Z87.1 ainsi qu'une protection auditive. Si cette précaution n'est pas prise, des objets peuvent être projetés dans les yeux et d'autres lésions graves.

AVERTISSEMENT :

Ne jamais utiliser de lames ou de dispositifs à fléau, fil et cordes sur ce produit. Ne pas utiliser d'outils ou accessoires non recommandés par le fabricant de ce produit. L'utilisation de pièces et accessoires non recommandés peut entraîner des blessures graves.

Avant chaque utilisation, inspecter au complet le produit afin de s'assurer qu'aucune pièce (vis, écrous, boulons, chapeaux, etc.) n'est endommagée, manquante ou desserrée. Serrer solidement toutes les pièces de fixation et les chapeaux et ne pas utiliser le produit tant que toutes les pièces manquantes ou endommagées n'ont pas été remplacées. Veuillez composer le 1-800-242-4672 ou communiquer avec un centre de réparations agréé pour obtenir de l'aide.

UTILISATION

APPROVISIONNEMENT EN CARBURANT MÉLANGE DE CARBURANT

Cet outil utilise un moteur 2 temps qui nécessite le mélange d'essence et d'huile 2 temps. Le taux de mélange doit être de 50:1.

NOTE : Il est recommandé d'utiliser UNIQUEMENT de l'huile de marque Homelite lubrifiant avec ce produit.

MÉLANGE DU CARBURANT :

- Se procurer un bidon ou jerrycan approuvé pour l'essence.
- Mélanger l'huile pour moteur 2 temps à l'essence se trouvant dans le jerrycan conformément aux instructions de l'emballage de l'huile.

Le moteur est certifié pour fonctionner avec de l'essence sans plomb pour automobiles, avec un indice d'octane de 87 [(R + M) / 2] ou plus. Ne pas utiliser d'huile automobile ou pour moteur hors-bord 2 temps.

NOTE : Le mélange reste frais pendant 30 jours maximum. NE PAS mélanger plus de carburant qu'il ne sera utilisé dans une période de 30 jours.

L'HUILE POUR MOTEUR 2 TEMPS À L'ESSENCE (50:1)



ESSENCE

1 gallon (US)

1 litre

HUILE

2,6 oz

20 cc (20 ml)

CARBURANTS OXYGÉNÉS

NE PAS UTILISER LE CARBURANT E85. LE NON-RESPECT DE CETTE DIRECTIVE ENTRAÎNE L'ANNULATION DE LA GARANTIE.

NOTE : Les dommages au circuit de carburant et les problèmes de performance résultant de l'utilisation de carburant oxygéné contenant des pourcentages de composants oxygénés supérieurs à ceux indiqués précédemment **ne sont pas couverts par la garantie.**

Ethanol. L'essence contenant jusqu'à 10 % d'éthanol par volume (généralement désignée E10) ou 15 % d'éthanol par volume (généralement désignée E15) est acceptable. **L'essence désignée E85 ne l'est pas.**

REPLISSAGE DU RÉSERVOIR

- Nettoyer le pourtour du bouchon de remplissage pour éviter la contamination du carburant.
- Régler le condensateur ajustable sur le côté de sorte que la buse pointe vers le haut.
- Desserrer le bouchon du réservoir de carburant lentement. Poser le bouchon sur une surface propre.
- Verser le mélange dans le réservoir avec précaution. Éviter de répandre du carburant.
- Remettre immédiatement le bouchon en place et le serrer à la main. Essuyer tout carburant répandu.

NOTE : Il est normal qu'un moteur neuf dégage de la fumée après la première utilisation.



AVERTISSEMENT :

Toujours couper le moteur avant de reprendre du carburant. Ne jamais remplir le réservoir d'une machine lorsque le moteur tourne ou est chaud. S'éloigner d'au moins 9 m (30 pi) du point d'approvisionnement avant de lancer le moteur. Ne pas fumer et éviter des étincelles nues et des flammes. Une mauvaise manipulation de l'essence peut entraîner des blessures graves.

DÉMARRAGE ET ARRÊT

Voir les figures 7 et 8.

Pour le démarrage, le taille-bordures doit être posé sur un sol nu et plat.


Démarrage du moteur froid :

- Appuyer lentement 10 fois sur la poire d'amorçage.
NOTE : Après la 7^e pression, on devrait apercevoir du carburant dans la poire d'amorçage. Sinon, continuer à presser sur l'amorceur jusqu'à voir du carburant dans la poire.
- Mettre le volet de départ en position d'étranglement **FULL CHOKE** (complètement ouvert).
- Appuyer sur le bouton de verrouillage de la gâchette et tirer sur le cordon du lanceur jusqu'à ce que le moteur essaie de démarrer. Ne pas tirer le cordon plus de quatre (4) fois.
NOTE : Tenir la gâchette enfoncée à fond.
- Mettre le volet de départ en position **HALF CHOKE** (demi étranglement).
- Tirer sur le cordon du lanceur jusqu'à ce que le moteur démarre. Ne pas tirer le cordon plus de six (6) fois.
NOTE : Si le moteur ne démarre pas, mettre le levier d'étrangleur en position « FULL CHOKE » (Complètement ouvert) et répéter les étapes suivantes.
- Laisser le moteur tourner pendant 10 secondes et mettre le levier du volet de départ en position **RUN** (marche).

Démarrage du moteur chaud :

- Appuyer lentement 10 fois sur la poire d'amorçage.
- Mettre le levier du volet de départ en position **RUN** (marche).
- Appuyer sur le bouton de verrouillage de la gâchette et tirer sur le cordon du lanceur jusqu'à ce que le moteur démarre.

Arrêt du moteur :

- Pour arrêter le moteur, mettre le commutateur **STOP** dans la position d'arrêt «  ».

EN CAS DE BESOIN D'ASSISTANCE DÉMARRAGE AVEC CE PRODUIT :

Ne pas le retourner au magasin de détail où il a été acheté. Pour toute question, appeler notre service après-vente.

Pour toute assistance, appeler le : 1-800-242-4672

UTILISATION

UTILISATION DU TAILLE-BORDURES

Voir la figure 9.

AVERTISSEMENT :

Le logement du moteur peut devenir chaud pendant l'utilisation du taille bordures à fil. Éviter de placer ou d'appuyer le bras, la main ou toute autre partie du corps contre le logement du moteur pendant l'utilisation du taille bordures. Tenir l'outil uniquement dans la position illustrée à la figure 9 en s'assurant qu'aucune partie du corps ne se trouve à proximité du logement du moteur. Un contact prolongé avec le logement du moteur peut entraîner des brûlures ou d'autres blessures.

AVERTISSEMENT :

Toujours tenir l'outil à sa droite. L'utilisation à gauche exposerait l'utilisateur aux surfaces chaudes, créant ainsi des risques de brûlures.

AVERTISSEMENT :

Pour éviter le contact avec les parties brûlantes, ne jamais travailler avec le bas du moteur au-dessus du niveau de la taille.

Tenir le taille-bordures avec la main droite sur la poignée arrière et la main gauche sur la poignée avant, le pouce et les autres doigts solidement refermés sur les deux poignées. Tenir fermement les deux poignées pendant le fonctionnement. Le taille-bordures doit être tenu dans une position confortable, la poignée arrière se trouvant à peu près à hauteur de la taille.

Toujours utiliser le taille-bordures à plein régime. Couper les herbes hautes du haut en bas. Ceci empêchera l'herbe de s'enrouler sur le tube de l'arbre moteur et la tête de coupe, ce qui pourrait causer des dommages dus à une surchauffe. Si l'herbe s'enroule sur la tête de coupe, **ARRÊTER LE MOTEUR**, débrancher le fil de bougie et enlever l'herbe. Le travail prolongé à mi-régime causerait l'écoulement d'lubrifiant par l'échappement.

AVERTISSEMENT :

Toujours tenir le taille-bordures à l'écart de soi en maintenant une distance de sécurité entre le corps et l'équipement. Tout contact avec le boîtier ou avec la tête de coupe du taille-bordures peut causer des brûlures et / ou d'autres blessures graves.

ACONSEILS DE COUPE

Voir les figures 9 et 10.

- Éviter les surfaces très chaudes en maintenant toujours l'outil à l'écart du corps. (Position de travail correcte illustrée à la figure 9.)
- Pour une efficacité maximum, garder le taille-bordures incliné vers la zone de coupe.
- Pour couper avec le taille-bordures à arbre courbe, utiliser un mouvement de balayage de droite à gauche. Pour couper avec le taille-bordures à arbre droit, utiliser un mouvement de balayage de gauche à droite. Ceci évite que les débris soient projetés en direction de l'opérateur. Éviter de couper dans la zone dangereuse montrée à la figure 10.
- Couper avec l'extrémité de la ligne; ne pas forcer la tête de coupe dans l'herbe non coupée.
- Les palissades en métal et en bois accélèrent l'usure de la ligne et peuvent la faire casser. Les murs en pierre et brique, trottoirs et pièces de bois peuvent user la ligne rapidement.
- Éviter les arbres et buissons. L'écorce des arbres, les moulures en bois, le lambrisage et les piquets de palissades peuvent être endommagés par la ligne.

AVANCE DE LA LIGNE DE COUPE AVEC LE SYSTÈME À CHOC REEL-EASY™

L'avance de la ligne est obtenue en tapant la tête de coupe sur le gazon, le moteur tournant à plein régime.

- Faire tourner le moteur à plein régime.
- Taper la tête de coupe sur le sol pour faire avancer la ligne. La ligne avance chaque fois que la tête de coupe est frappée sur le sol.
- Plusieurs frappes peuvent être nécessaires pour que la ligne parvienne à la lame coupe ligne
- Continuer le travail.

NOTE : Si la ligne devient trop courte, il peut ne pas être possible de la faire avancer en tapant la tête de coupe sur le sol. Dans ce cas, **ARRÊTER LE MOTEUR**, débrancher le fil de la bougie et tirer la ligne à la main.

AVANCE MANUELLE DE LA LIGNE DE COUPE

Lorsque le moteur est éteint et le fil de bougie a débranché, appuyer sur la retenue de bobine et tirer sur la ligne pour sortir la longueur désirée.

LAME COUPE LIGNE

Ce taille-bordures est équipé d'une lame coupe ligne montée sur le déflecteur d'herbe. Pour obtenir une coupe optimale, taper la tête de coupe sur le sol faire avancer la ligne jusqu'à ce qu'elle soit coupée à la longueur correcte par la lame de sectionnement. La ligne doit être avancée chaque fois que le moteur tourne à une vitesse supérieure à la normale ou lorsque la coupe devient moins efficace. Ceci maintiendra une efficacité maximum et gardera la ligne assez longue pour avancer correctement.

ENTRETIEN

AVERTISSEMENT :

Utiliser exclusivement des pièces Homelite d'origine pour les réparations. L'usage de toute autre pièce pourrait créer une situation dangereuse ou endommager l'outil.

AVERTISSEMENT :

Toujours porter une protection oculaire certifiée conforme à la norme ANSI Z87.1 ainsi qu'une protection auditive. Si cette précaution n'est pas prise, des objets peuvent être projetés dans les yeux et d'autres lésions graves.

AVERTISSEMENT :

Avant d'inspecter, nettoyer ou entretenir l'équipement, couper le moteur, attendre que toutes les pièces en mouvement s'arrêtent, déconnecter le fil de la bougie et l'écartier de la bougie. Le non-respect de ces instructions peut entraîner des blessures graves ou des dégâts matériels.

ENTRETIEN GÉNÉRAL

Éviter d'utiliser des solvants pour le nettoyage des pièces en plastique. La plupart des matières plastiques peuvent être endommagées par divers types de solvants du commerce. Utiliser un chiffon propre pour éliminer la saleté, la poussière, l'lubrifiant, la graisse, etc.

AVERTISSEMENT :

Ne jamais laisser de liquides tels que le fluide de freins, l'essence, les produits à base de pétrole, les lubrifiants pénétrants, etc., entrer en contact avec les pièces en plastique. Les produits chimiques peuvent endommager, affaiblir ou détruire le plastique, ce qui peut entraîner des blessures graves.

Les réglages et réparations décrits ci-dessous peuvent bien souvent être effectués par l'utilisateur. Les autres réparations doivent être confiées à un centre de réparations agréé.

REMPLACEMENT DE LA BOBINE AVANCE DE LA LIGNE DE COUPE À CHOC REEL-EASY™

Voir les figures 11 et 12.

Si seule la ligne est remplacée, voir **Remplacement de la ligne**, plus loin dans ce manuel.

Utiliser exclusivement une ligne monofilament de 2 mm (0,080 po) de diamètre.

- Arrêter le moteur et débrancher le fil de la bougie. Maintenir la tête de coupe et retirer la retenue de bobine.

Pour retirer la retenue de bobine :

Sur les modèles 26S, tourner la retenue de bobine vers la gauche.

Sur les modèles 26SS, tourner la retenue de bobine vers la droite.

- Retirer la bobine vide de la tête de coupe.

NOTE : Il n'est pas nécessaire de retirer le logement de la tête de coupe de l'arbre d'entraînement.

- Insérer la nouvelle bobine dans la tête de coupe.

NOTE : S'assurer que les flèches de la bobine sont alignées avec les œillets du logement de la tête de coupe. Abaisser et maintenir ensemble à cette position la bobine et le logement tout en complétant l'installation.

- Réinstaller la retenue de bobine afin de la fixer solidement.

Pour installer la retenue de bobine :

Sur les modèles 26CS, tourner la retenue de bobine vers la droite.

Sur les modèles 26SS, tourner la retenue de bobine vers la gauche.

- Installer le fil tel que décrit à la section intitulée **Remplacement du fil**.

REMPLACEMENT DE LIGNE

Voir les figures 12 à 14.

- Arrêter le moteur et débrancher le fil de la bougie.
- Au besoin, tourner la bobine dans le sens horaire afin d'aligner les flèches de la bobine avec les œillets du logement de la tête de coupe.
- Couper un morceau d'une longueur de 4,6 m (15 pi) de chaîne monofilament. Insérer le fil dans l'œillet du logement du taille-bordures. Pousser jusqu'à ce que l'extrémité du fil sorte de l'autre côté de la tête de coupe. Tirer sur le fil de l'autre côté de façon à laisser deux segments de fil égaux de chaque côté de la bobine.
- Tourner la bobine dans le sens horaire pour enrouler le fil autour de celle-ci jusqu'à ce qu'environ 152,4 mm (6 po) de fil apparaisse de chaque côté de la bobine.
- Appuyer sur la retenue de bobine tout en tirant sur la ou les ligne(s) pour les avancer manuellement et vérifier le montage de la tête de coupe.

NETTOYAGE DE L'ORIFICE D'ÉCHAPPEMENT

Selon le type de carburant utilisé, le type et la quantité d'lubrifiant utilisée et/ou les conditions d'utilisation, l'orifice d'échappement peuvent être obstrués par de la calamine. Si un outil motorisé semble avoir perdu de la puissance, cette calamine doit être éliminée pour restaurer le fonctionnement normal. Il est vivement recommandé de confier ce travail à un technicien qualifié.

PARE-ÉTINCELLES

Le pare-étincelles doit être remplacé toutes les 50 heures de fonctionnement ou tous les ans pour assurer le fonctionnement correct de l'outil. L'emplacement du pare-étincelles diffère suivant le modèle. Contacter le concessionnaire le plus proche pour connaître l'emplacement du pare-étincelles sur le modèle utilisé.

NETTOYAGE LE ÉCRAN DU LE FILTRE À AIR

Voir les figures 15 et 16.

Pour assurer un fonctionnement correct et une longue vie utile, garder le filtre à air propre.

- Retirer le couvercle du filtre à air en appuyant sur les loquets, tout en tirant doucement sur le couvercle.

ENTRETIEN

- Tourner le volet de départ pour découvrir l'écran du filtre.
- Brosser doucement l'écran du filtre à air pour le nettoyer.
- Replacer le couvercle du filtre à air en insérant les ergots situés dans la partie inférieure du couvercle dans les fentes de la base du filtre à air. Pousser sur le couvercle jusqu'à ce qu'il s'enclenche solidement en place.

BOUCHON DU RÉSERVOIR DE CARBURANT

AVERTISSEMENT :

S'assurer de l'absence de fuites de carburant. Un bouchon de carburant qui fuit pose un risque d'incendie et doit être remplacé immédiatement. Toutes les fuites doivent être éliminées avant d'utiliser le produit. Ne pas prendre cette précaution peut causer un incendie, entraînant des blessures graves.

Le bouchon du réservoir de carburant contient un filtre et un clapet antiretour non réparables. Un filtre à carburant colmaté nuit au bon fonctionnement du moteur. Si le fonctionnement du moteur s'améliore lorsque le bouchon est desserré, le clapet antiretour peut être défectueux ou le filtre colmaté. Si nécessaire, remplacer le bouchon de carburant.

BOUGIE

Ce moteur utilise le Champion RCJ6Y ou une bougie d'allumage équivalente dont l'écartement des pointes d'électrode est de 6,4 mm (0,025 po). Remplacer la bougie tous les ans ou plus fréquemment si nécessaires. Utiliser exactement la même bougie.

REMISAGE DU TAILLE-BORDURES

- Nettoyer soigneusement le taille-bordures. La remiser dans un endroit bien aéré, inaccessible aux enfants. La tenir à l'écart de produits corrosifs, tels que les produits chimiques de jardinage et le sel de dégivrage.
- Se conformer à toutes les réglementations locales et gouvernementales concernant la sécurité de la manipulation et de l'entreposage de l'essence.

REMISAGE 1 MOIS OU PLUS :

- Vider complètement le réservoir de carburant dans un bidon ou jerrycan approuvé pour l'essence. Laisser le moteur tourner jusqu'à ce qu'il cale.

DÉPANNAGE

Problème	Cause Possible	Solution
Le moteur ne démarre pas.	Pas d'étincelle.	Vérifier la bougie. Retirer la bougie. Débrancher le fil de bougie. Remettre le capuchon sur la bougie et poser cette dernière sur le cylindre métallique. Tirer le cordon du démarreur et regarder si une étincelle se produit à l'électrode de la bougie. En l'absence d'étincelle, répéter le test avec une bougie neuve.
	Pas de carburant.	Actionner la poire d'amorçage jusqu'à ce qu'elle soit remplie de carburant. Si elle ne se remplit pas, le système d'alimentation en carburant est obstrué. Contacter un centre de réparations. Si la poire se remplit, il se peut que le moteur soit noyé (voir le paragraphe suivant).
	Moteur noyé.	Retirer la bougie et retourner le taille-bordures, de façon à ce que le trou de bougie soit dirigé vers le sol. Mettre le cadran de volet de départ en position de marche et tirer le cordon du lanceur 10 à 15 fois. Ceci chasse l'excédent de carburant du moteur. Nettoyer la bougie et la remettre en place. Le cadran de volet de départ étant en position de RUN (marche), tirer le cordon du lanceur 3 fois. Si le moteur ne démarre pas, mettre le cadran de volet de départ en position FULL CHOKE (complètement ouvert) et reprendre la procédure normale de démarrage. Si le moteur ne démarre toujours pas, installer une bougie neuve et répéter l'opération.
	Le cordon du lanceur est plus difficile à tirer que lorsque l'outil était neuf.	Contactez un centre de réparations agréé.

DÉPANNAGE

Problem	Possible Cause	Solution
Le moteur démarre, mais n'accélère pas.	Le moteur prend environ 3 minutes pour se réchauffer.	Laisser le moteur se réchauffer complètement. Si le moteur n'accélère pas après trois minutes, contacter un centre de réparations.
Le moteur démarre, mais ne tourne qu'à haut régime, le volet de départ étant demi ouvert.	Le carburateur nécessite un réglage.	Contacter un centre de réparations agréé.
Le moteur ne parvient pas au régime maximum et dégage trop de fumée.	Vérifier le mélange lubrifiant / carburant. Filtre à air encrassé. Carburateur non ajusté.	Utiliser un mélange de carburant et d'lubrifiant 2 temps correct et frais. Nettoyer le filtre à air. Voir la section Nettoyage du filtre à air , plus haut dans ce manuel. Contacter un centre de réparations agréé.
Le moteur démarre, tourne et accélère correctement, mais ne tient pas le ralenti.	La vis de ralenti du carburateur doit être réglée.	Tourner le pointeau de mélange vers la droite. <i>Voir la figure 17.</i>
La ligne n'avance pas.	Ligne soudée sur elle-même. Pas assez de ligne sur la bobine. Ligne trop courte. Ligne emmêlée sur la bobine. Régime moteur insuffisant.	Lubrifier avec un produit au silicone. Installer une nouvelle ligne. Voir Remplacement de la ligne , plus haut dans ce manuel. Tirer les lignes en appuyant sur la bobine et en la relâchant alternativement. Retirer la ligne du de la bobine et la rebobiner. Voir Remplacement de la ligne , plus haut dans ce manuel. Faire avancer la ligne, le moteur tournant à plein régime.
La retenue de bobine est difficile à tourner.	Filetage des vis encrassé ou endommagé.	Nettoyer les filetages et les graisser – si cela ne donne aucune amélioration, remplacer la retenue de bobine.
L'herbe s'enroule sur le tube de l'arbre moteur et la tête de coupe.	Coupe de hautes herbes au ras du sol. Utilisation du taille-bordures à régime partiel.	Couper les herbes hautes du haut en bas. Utiliser le taille-bordures à plein régime.
De l'lubrifiant s'écoule de l'échappement.	Utilisation du taille-bordures à régime partiel. Vérifier le mélange lubrifiant /carburant. Filtre à air encrassé.	Utiliser le taille-bordures à plein régime. Utiliser un mélange de carburant et d'lubrifiant 2 temps correct et frais. Nettoyer le filtre à air voir la section Nettoyage du filtre à air , plus haut dans ce manuel.

GARANTIE

DÉCLARATION DE GARANTIE LIMITÉE

Homelite Consumer Products, Inc. (« Homelite ») garantit à l'acheteur original au détail que ce produit de plein air de marque HOMELITE est exempt de tout vice de matériau ou de fabrication et s'engage à réparer ou remplacer, à discrétion, tout produit s'avérant défectueux au cours des périodes indiquées ci-dessous, à compter de la date d'achat.

- Deux ans pour tous les modèles utilisés à des fins personnelles, familiales ou domestiques ;
- 90 jours pour toute unité utilisée pour d'autres buts, telles que les activités locatives et commerciales.

Cette garantie n'est offerte qu'à l'acheteur original et entre en vigueur à la date de l'achat original.

Toute pièce de ce produit fabriqué ou fourni par Homelite et jugée, après évaluation raisonnable par Homelite, comme présentant des vices de matériau ou de fabrication, sera réparée ou remplacée par un centre de réparations agréé Homelite, sans frais de pièces ou de main-d'œuvre.

Le produit, y compris toutes les pièces défectueuses, devra être retourné à un centre de réparations agréé avant expiration de la période de garantie. Les frais d'expédition au centre de réparations et de retour au propriétaire du produit seront assumés par le propriétaire. En ce qui concerne les réclamations en garantie, la responsabilité de Homelite se limitera aux réparations ou au remplacement des pièces défectueuses et aucune réclamation au titre du non-respect de la garantie se pourra causer l'annulation ou la résiliation du contrat de vente d'un produit de marque HOMELITE quel qu'il soit. Une preuve d'achat sera exigée par le centre de réparation, afin de valider toute réclamation au titre de la garantie. Toutes les réparations sous garantie devront être effectuées par un centre de réparations agréé par Homelite.

La présente garantie sur tout produit Homelite utilisé à des fins locatives ou commerciales ou à tout autre usage lucratif sera limitée à quatre-vingt-dix (90) jours à compter de la date d'achat original au détail.

Cette garantie ne couvre pas les produits HOMELITE ayant fait l'objet d'un usage abusif ou négligent, d'un manque d'entretien, ayant été impliqués dans un accident ou employé de façon contraire aux instructions de ce manuel d'utilisation. Cette garantie ne couvre ni les dommages aux produits résultant d'un manque d'entretien, ni les produits qui ont été altérés ou modifiés. La garantie exclut les réparations rendues nécessaires par l'usure normale ou l'utilisation de pièces et accessoires incompatibles avec ce produit de marque HOMELITE ou nuisibles à son bon fonctionnement, ses performances ou sa durabilité. En outre, la présente garantie exclut :

A. Les réglages – bougies, carburateur, allumage, filtres.

B. Les consommables – boutons d'avance par choc, bobines externes, lignes de coupe, bobines internes, poulies et cordons de lanceur, courroies d'entraînement, dents, rondelles en feutre, axes d'attelage, lames de paillage, ventilateurs de soufflante, tubes de soufflage et d'aspiration, sacs à débris, guides, chaînes de scie.

Homelite se réserve le droit d'apporter des modifications ou améliorations à tout produit de marque Homelite sans obligation de modifier les produits fabriqués antérieurement.

LA DURÉE DE TOUTES GARANTIES IMPLICITES NE SAURAIT EN AUCUN CAS EXCÉDER LA PÉRIODE DE GARANTIE DÉCLARÉE. PAR CONSÉQUENT, TOUTES LES GARANTIES IMPLICITES, Y COMPRIS LES GARANTIES DE VALEUR MARCHANDE OU D'ADÉQUATION À UN USAGE PARTICULIER OU AUTRES SERONT INVALIDÉES À L'EXPIRATION DE LA PÉRIODE DE GARANTIE APPROPRIÉE DE DEUX ANS, UN AN OU QUATRE-VINGT-DIX JOURS. LES OBLIGATIONS DE HOMELITE DANS LE CADRE DE CETTE GARANTIE SE LIMITENT EXCLUSIVEMENT À LA RÉPARATION OU AU REMPLACEMENT DES PIÈCES DÉFECTUEUSES ET HOMELITE N'ASSUME, NI AUTORISE QUICONQUE À ASSUMER EN SON NOM, QUELQUE AUTRE OBLIGATION QUE CE SOIT. CERTAINS ÉTATS ET PROVINCES NE PERMETTANT PAS DE LIMITATION DE DURÉE DES GARANTIES IMPLICITES, LES RESTRICTIONS CI-DESSOUS PEUVENT NE PAS ÊTRE APPLICABLES. HOMELITE DÉCLINE TOUTE RESPONSABILITÉ EN CE QUI CONCERNE LES DOMMAGES DIRECTS, INDIRECTS OU AUTRES, Y COMPRIS, MAIS SANS S'Y LIMITER, LES FRAIS DE RETOUR DE CE PRODUIT À UN CENTRE DE RÉPARATION AGRÉÉ PAR HOMELITE ET DE RENVOI AU PROPRIÉTAIRE, DE DÉPLACEMENT D'UN TECHNICIEN, DE TÉLÉPHONE OU TÉLÉGRAMME, DE LOCATION D'UN PRODUIT SIMILAIRE PENDANT LA DURÉE DES RÉPARATIONS SOUS GARANTIE, DE DÉPLACEMENT, DE PERTES OU DOMMAGES À DES BIENS PERSONNELS, DE MANQUE À GAGNER, DE PERTE D'USAGE DU PRODUIT, DE PERTE DE TEMPS OU DE DÉRANGEMENT. CERTAINS ÉTATS ET PROVINCES NE PERMETTANT L'EXCLUSION OU LA LIMITATION DES DOMMAGES DIRECTS OU INDIRECTS, LES RESTRICTIONS CI-DESSOUS PEUVENT NE PAS ÊTRE APPLICABLES.

La présente garantie donne au consommateur des droits spécifiques, et celui-ci peut bénéficier d'autres droits, qui varient selon les états ou provinces.

Cette garantie couvre tous les produits de marque HOMELITE fabriqués par ou pour le compte de HOMELITE et vendus aux États-Unis ou au Canada.

Pour obtenir l'adresse du centre de réparations agréé par Homelite le plus proche, appeler le 1-800-242-4672 ou visiter notre site Internet à l'adresse www.homelite.com.

GARANTIE

L'ÉNONCÉ DE CALIFORNIA AIR RESOURCES BOARD (CARB) QUI SUIT, S'APPLIQUE SEULEMENT AUX NUMÉROS DE MODÈLES QUI DOIVENT SE CONFORMER AUX EXIGENCES DE CARB.

HOMELITE CONSUMER PRODUCTS, INC. DÉCLARATION DE GARANTIE LIMITÉE SYSTÈMES DE CONTRÔLE DES ÉMISSIONS POUR LES ÉTATS-UNIS ET LA CALIFORNIE. PETITS MOTEURS NON ROUTIERS ET HORS ROUTE VOS DROITS ET RESPONSABILITÉS EN VERTU DE CETTE GARANTIE

L'U.S. Environmental Protection Agency (EPA), le California Air Resources Board (CARB) et Homelite Consumer Products, Inc. se font un plaisir de vous expliquer la garantie de conformité du système antipollution de votre petit moteur non routier ou hors-route, modèle 2010. En Californie, l'équipement neuf qui utilise les moteurs non routiers ou hors-route, doit être conçu, construit et équipé conformément aux strictes réglementations sur l'antipollution de cet État. Dans d'autres États, les moteurs non routiers modèles 2000 et ultérieurs doivent être conçus, construits et équipés au moment de la vente de façon à être conformes aux réglementations sur l'antipollution issues par l'EPA (agence de protection de l'environnement américaine) pour les petits moteurs non routiers. Le moteur non routier doit être exempt de vices de matériaux et de fabrication entraînant la non conformité aux réglementations de l'EPA, pendant les deux premières années d'utilisation, à compter de la date de vente à l'acheteur d'origine. Homelite Consumer Products, Inc. doit garantir le système de contrôle des émissions de vos petits moteurs non routiers ou hors-route pour la période indiquée ci-dessus, à condition que ceux-ci n'aient pas fait l'objet d'un usage abusif ou d'un manque d'entretien.

Votre système de contrôle des émissions peut inclure des pièces telles que le carburateur ou le système d'injection de carburant, le système d'allumage, les convertisseurs catalytiques, les réservoirs de carburant, les valves, les filtres, les fixations, les connecteurs et d'autres composants connexes. Il peut également inclure les tuyaux, les courroies, les connecteurs et d'autres articles relatifs au système d'émissions.

Dans l'éventualité d'un problème couvert par la garantie, Homelite Consumer Products, Inc. s'engage à réparer gratuitement votre moteur non routier ou hors-route, ce qui comprend le diagnostic, les pièces et la main-d'œuvre, dans un centre de réparations agréé pour les produits de marque HOMELITE®.

DURÉE DE LA GARANTIE DU FABRICANT

Le système de contrôle d'émissions pour ce produit est garanti pour deux ans. Si une pièce relative au système de contrôle d'émissions de votre moteur est défectueuse, elle sera réparée ou remplacée sans frais par Homelite Consumer Products, Inc.

RESPONSABILITÉS DU PROPRIÉTAIRE DANS LE CADRE DE LA GARANTIE

(a) En tant que propriétaire de ce petit moteur non routier ou hors-route, vous êtes tenu d'effectuer les entretiens indiqués dans le manuel d'utilisation. Homelite Consumer Products, Inc. recommande de conserver tous les reçus relatifs à l'entretien du petit moteur non routier ou hors-route, mais Homelite Consumer Products, Inc. ne peut pas refuser la couverture de la garantie pour l'unique raison du manque de reçus ou parce que vous avez omis d'effectuer tous les entretiens prévus. Des pièces et services assurant des performances et une durabilité équivalente peuvent être utilisés pour les entretiens et réparations non couverts par la garantie, sans que cela ne change les obligations de garantie de Homelite Consumer Products, Inc.

(b) Toutefois, en tant que propriétaire du petit moteur non routier ou hors-route, vous devez être averti que les réparations couvertes par la garantie peuvent être refusées par Homelite Consumer Products, Inc. si la défaillance de ce moteur ou d'une de ses pièces est due à un usage abusif, la négligence, un manque d'entretien ou des modifications non approuvées.

(c) Vous êtes tenu de confier votre petit moteur non routier ou hors-route à un centre de réparations agréé dès qu'un problème se présente. Les réparations sous garantie seront effectuées dans un délai raisonnable, ne dépassant pas 30 jours.

Si vous avez des questions concernant vos droits et responsabilités dans le cadre de la garantie, contactez un représentant de Homelite Consumer Products, Inc. au 1-800-242-4672.

COUVERTURE

(a) La période de la couverture commence à la date de livraison du moteur ou d'équipement à l'acheteur.

(b) Couverture générale de garantie antipollution. Homelite Consumer Products, Inc. garantit à l'acheteur d'origine, ainsi qu'à tous les propriétaires ultérieurs, que son petit moteur non routier ou hors-route est conçu, construit et équipé conformément à toutes les réglementations de California Air Resources Board ou United States Environmental Protection Agency en vigueur au moment de la vente et que son petit moteur non routier ou hors-route sera exempt de tous défauts de matériaux ou de fabrication causant une non conformité aux réglementations en vigueur, pour une période de deux ans après l'acquisition du moteur par l'acheteur d'origine.

(c) La garantie sur les pièces se rapportant au système de contrôle d'émissions sera interprétée comme suit: Toute pièce couverte par la garantie qui ne doit pas être remplacée selon le Calendrier d'entretien du système de contrôle d'émissions et la Liste de pièces garanties, lesquels sont conformément stipulés ci-dessous, est garantie pour la période de deux ans. Si une telle pièce (y compris les pièces qui doivent seulement être inspectées régulièrement) s'avère défectueuse, elle sera réparée ou remplacée gratuitement dans un centre de réparations agréé HOMELITE®. Toute pièce réparée ou remplacée dans le cadre de cette garantie sera garantie pour le reste de la durée de la garantie. Un énoncé stipulant « réparez ou remplacez au besoin » ne réduirait pas la période de couverture de la garantie. Toute pièce qui doit être remplacée conformément au Calendrier d'entretien du système de contrôle

d'émissions et la Liste de pièces garanties est garantie pour la période de temps précédant le premier remplacement prévu pour cette pièce. Toute pièce de ce genre réparée ou remplacée dans le cadre de cette garantie est garantie pour le restant de la période qui précède la première échéance de remplacement, et elle sera réparée ou remplacée gratuitement dans un centre de réparations agréé HOMELITE® jusqu'au moment où elle doit être remplacée.

Homelite Consumer Products, Inc. effectuera les réparations sous garantie dans un centre de réparations HOMELITE® agréé ou chez un concessionnaire. Tout diagnostic effectué dans un centre de réparations HOMELITE® agréé sera gratuit si le diagnostic aide à déterminer qu'une pièce couverte par la garantie est défectueuse. Des pièces approuvées par le fabricant ou équivalentes peuvent être utilisées pour tout entretien ou réparation sous garantie des pièces relatives au système de contrôle des émissions et doivent être fournies gratuitement au propriétaire si la pièce est toujours sous garantie. Homelite Consumer Products, Inc. est responsable des dommages au moteur causés par une pièce toujours couverte par la garantie.

Des ajouts ou des pièces modifiées qui ne sont pas exemptées par California Air Resource Board ne peuvent pas être utilisées. L'utilisation de toute pièce non-exemptée ou modifiée peut justifier le refus d'une réclamation au titre de la garantie. Homelite Consumer Products, Inc. ne sera pas responsable pour des dommages aux pièces sous garantie causés par l'utilisation d'une pièce non-exemptée ou modifiée.

Le California Air Resources Board a publié une liste de toutes les pièces de systèmes d'émissions couvertes par une garantie. (Bien que les réglementations de l'EPA n'incluent pas de liste, les pièces qu'elle considère comme devant être garanties sont indiquées ci-dessous.) Homelite Consumer Products, Inc. fournira tous les documents relatifs aux procédures et politiques se rapportant à sa garantie dans les cinq jours suivant une demande de California Air Resources Board.

LISTE DE PIÈCES DU SYSTÈME DE CONTRÔLE D'ÉMISSIONS

Les pièces du système de contrôle d'émissions varient dépendamment du produit. Votre garantie du système de contrôle d'émissions s'applique à tous les composants suivants qui peuvent faire partie de votre produit:

- (1) Système de contrôle d'alimentation en carburant
 - (i) Carburateur et les composants internes (et/ou régulateur de pression ou système d'alimentation par injection).
 - (ii) Système de contrôle de rapport air/carburant.
 - (iii) Système d'enrichissement pour démarrage à froid.
 - (iv) Réservoir de carburant.
- (2) Système d'admission d'air
 - (i) Système d'admission contrôlée d'air chaud.
 - (ii) Tubulure d'admission.
 - (iii) Filtre à air.
- (3) Système d'allumage
 - (i) Bougies d'allumage.
 - (ii) Système d'allumage magnéto-électrique.
 - (iii) Système d'avance/retard à l'allumage.
- (4) Système de recirculation des gaz d'échappement (RGE)
 - (i) Corps de vanne et l'espaceur du carburateur de RGE, si applicable.
 - (ii) Système de contrôle du taux de RGE.
- (5) Système d'injection d'air
 - (i) Pompe à air ou valve à impulsion.
 - (ii) Valves qui affectent la distribution d'écoulement.
 - (iii) Distributeur.
- (6) Catalyseur ou système de réacteur thermique
 - (i) Convertisseur catalytique.
 - (ii) Réacteur thermique.
 - (iii) Tubulure d'échappement.
- (7) Contrôles de particules
 - (i) Pièges, filtres, électrofiltres et tout autre dispositif utilisé pour capturer les émissions de particules.
- (8) Pièces diverses utilisées dans les systèmes énumérés ci-dessus
 - (i) Commandes électroniques.
 - (ii) Valves et interrupteurs sensibles au vide, à la température et au temps.
 - (iii) Tuyaux, courroies, connecteurs et modules.

Homelite Consumer Products, Inc. fournira au propriétaire des instructions d'entretien et d'utilisation écrites avec chaque nouveau moteur.

La période de conformité aux réglementations antipollution de l'autocollant de conformité d'émissions indique le nombre nominal d'heures de fonctionnement du moteur conformément aux réglementations du gouvernement fédéral américain. Catégorie C = 50 heures, B = 125 heures, A = 300 heures.

GARANTIE

CE PRODUIT A ÉTÉ ÉQUIPÉ EN USINE D'UN CONVERTISSEUR CATALYTIQUE

Félicitations ! Vous venez d'investir dans la protection de l'environnement. Pour maintenir le niveau d'émissions original de ce produit, voir la section Entretien ci-dessous.

PROGRAMME D'ENTRETIEN DU SYSTÈME D'ÉMISSIONS ET LISTE DES PIÈCES GARANTIES

Pièces du système	Inspecter avant chaque utilisation	Nettoyer toutes le 5 heures de fonctionnement	Remplacer toutes les 25 heures ou chaque année	Remplacer toutes les 25 heures ou chaque année	Reemplácelo cada 50 heures
ASSEMBLAGE DU CATALYSEUR DU SILENCIEUXX					
FILTRE À AIR					
INCLUT :					
ÉCRANX					
RÉSERVOIR DE CARBURANT					
INCLUT :					
CONDUITES DE CARBURANTX					
BOUCHON DU RÉSERVOIR DE CARBURANTX					
ALLUMAGE					
INCLUT :					
BOUGIE.....X					
TOUTES LES PIÈCES RELATIVES AU SYSTÈME DE CONTRÔLE DES ÉMISSIONS SONT GARANTIES DEUX ANS OU POUR LA PÉRIODE ANTÉRIEURE AU PREMIER REMPLACEMENT PRÉVU, SELON LA PREMIÈRE ÉCHÉANCE.					



TIREZ LE MEILLEUR PARTI DE VOTRE ACHAT!

Visitez le site www.homelite.com pour enregistrer votre nouvel outil en ligne.

Ce produit à été entièrement testé avant expédition pour assurer la complète satisfaction de l'utilisateur.

Pour toute question concernant l'utilisation ou l'entretien du produit, appeler le service d'assistance téléphonique Homelite !

Pour enregistrer votre produit Homelite par courrier postal, inscrivez les informations ci-dessous, en caractères d'imprimerie sur une carte de 76 mm x 127 mm (3 po x 5 po) ou une carte postale standard: nom, adresse postale, numéros de téléphone, adresse e-mail, produit(s) Homelite acheté(s) avec numéros de modèle et de série. Adresser la carte à: Homelite Consumer Products, Attn. Homelite Registration, 1428 Pearman Dairy Road, Anderson, SC 29625, États-Unis. Pour recevoir des informations concernant nos produits ou notre société, inscrivez l'énoncé ci-dessous sur votre carte d'enregistrement: << Veuillez m'envoyer les informations concernant vos produits et votre société en utilisant les renseignements que je fournis avec cette carte d'enregistrement. >>

REGLAS DE SEGURIDAD GENERALES



ADVERTENCIA:

Lea y comprenda todas las instrucciones. El incumplimiento de las instrucciones señaladas abajo puede causar descargas eléctricas, e intoxicación por monóxido de carbono que causará la muerte o lesiones serias.

LEA TODAS LAS INSTRUCCIONES

- Para la operación segura, lea y entienda todas las instrucciones antes de usar este producto. Siga todas las instrucciones de seguridad. La inobservancia de todas las instrucciones de seguridad señaladas abajo puede causar lesiones corporales graves.
- No permita que utilicen esta unidad niños ni personas carentes de la debida instrucción para su manejo.
- Nunca arranque ni accione el motor en un área cerrada o con ventilación insuficiente; la inhalación de las emanaciones del escape puede ser mortal.
- Limpie el área de trabajo cada vez antes de usar la unidad. Retire todos los objetos tales como piedras, vidrios rotos, clavos, alambre o cuerdas que pudiesen resultar lanzados o enredados en el hilo de corte o cuchilla, según sea el caso.
- Siempre póngase protección ocular con la marca de cumplimiento de la norma ANSI Z87.1 junto con protección auditiva. Si no cumple esta advertencia, los objetos que salen despedidos pueden producirle lesiones serias en los ojos.
- Póngase pantalones largos de tela gruesa, mangas largas, botas y guantes. No se ponga ropa holgada o pantalones cortos, sandales ni ande descalzo. No se ponga joyas de ninguna clase.
- Los usuarios del producto en las jurisdicciones del Servicio Forestal de los Estados Unidos, y en algunos estados, deben cumplir con los reglamentos de prevención de incendios. Este producto está equipado de un parachispas; no obstante es posible que el usuario deba cumplir otros requisitos. Consulte con las autoridades federales, estatales o locales.
- Nunca utilice esta unidad colocándola al lado izquierdo de usted.
- Recójase el cabello largo arriba del nivel de los hombros para evitar que se enrede en las piezas móviles.
- Mantenga alejados a todos los circunstantes, niños y animales a una distancia mínima de 15 m (50 pies). Debe exhortarse a los circunstantes a ponerse protección para los ojos.
- No use esta unidad cuando se encuentre fatigado, enfermo o bajo los efectos del alcohol, drogas o medicamentos.
- No utilice la unidad en condiciones deficientes de iluminación.
- Mantenga una postura firme y buen equilibrio. No trate de alcanzar objetos fuera de su alcance. Al tratar de hacerlo puede perder el equilibrio o exponerse al contacto con superficies calientes. Mantenga el accesorio de corte por debajo de la cintura.




- Mantenga todas las partes del cuerpo alejadas de toda pieza en movimiento.
- Para evitar tocar superficies calientes, al utilizar esta unidad nunca coloque la parte inferior de la misma arriba del nivel de la cintura.
- No toque las áreas alrededor del silenciador o del cilindro de la unidad, estas partes se calientan durante el funcionamiento.
- Siempre apague el motor y retire el cable de la bujía antes de realizar cualquier ajuste o reparaciones, excepto para los ajustes del carburador.
- Inspeccione cada vez la unidad antes de usarla para ver si tiene tornillos flojos, fugas de combustible, etc. Reemplace toda pieza dañada antes de utilizar la unidad.
- El cabezal del hilo gira durante los ajustes del carburador.
- Algunos informes médicos indican que, en algunas personas, las vibraciones de las herramientas manuales pueden contribuir a una afección médica llamada síndrome de Raynaud. Entre los posibles síntomas está el hormigueo, el entumecimiento y la palidez de los dedos, síntomas presentes normalmente con la exposición al frío. Se cree que los factores hereditarios, la exposición al frío y a la humedad, la dieta, el fumar y las prácticas de trabajo contribuyen al desarrollo de estos síntomas. Actualmente se desconoce qué tipo de vibraciones o cuánto tiempo de exposición a las mismas, si tal es el caso, pueden contribuir a la mencionada afección. Hay medidas de precaución que puede tomar el operador para reducir posiblemente los efectos de la vibración:
 - a) Mantenga caliente el cuerpo en tiempo frío. Al utilizar la unidad use guantes para mantener calientes las manos y las muñecas. Los informes médicos indican que el clima frío es un factor importante que contribuye al síndrome de Raynaud.
 - b) Después de cada período de utilización de la unidad, haga ejercicio para aumentar la circulación de la sangre.
 - c) Tome descansos frecuentes durante el trabajo. Limite la cantidad de exposición al día.
 - d) Mantenga la producto bien cuidada, con los elementos de sujeción debidamente apretados y siempre cambiando las piezas desgastadas.Si sufre alguno de los síntomas de esta afección médica, inmediatamente suspenda el uso de la herramienta y consulte a su médico con respecto a estos síntomas.
- Mezcle y guarde el combustible en un recipiente aprobado para gasolina. No fume durante el reabastecimiento o mezclarse del combustible.
- Mezcle el combustible a la intemperie donde no haya chispas ni llamas. Limpie todo derrame de combustible. Aléjese por lo menos 9 m (30 pies) del sitio de reabastecimiento de combustible antes de encender el motor.
- Apague el motor y deje que se enfríe antes del reabastecimiento de combustible o de guardar la unidad.
- Deje que se enfríe el motor; vacíe el tanque de combustible en un recipiente de uso aprobado para gasolina y fije la unidad para inmovilizarla antes de transportarla en un vehículo.

REGLAS DE SEGURIDAD ESPECÍFICAS








- Cambie el cabezal del hilo, si está agrietado, desportillado o dañado de cualquier forma. Asegúrese de que el cabezal del hilo, según sea el caso, esté debidamente instalado y firmemente asegurado. La inobservancia de esta advertencia puede causar lesiones corporales serias.
- Asegúrese de que todas las protecciones, correas, mangos y deflectores estén acoplados debidamente y de manera segura.
- Nunca use hojas, dispositivos móviles, alambre ni cuerdas. En el cabezal de corte use únicamente hilo de repuesto del fabricante original. No use ningún otro accesorio de corte. Instalar cualquier otra marca de hilo de corte en esta recortadora de hilo puede producir lesiones corporales serias.
- Nunca utilice la unidad si el deflector de pasto no está montado en su lugar y en buenas condiciones de funcionamiento.
- Al usar la recortadora, sujétela firmemente por ambos mangos. Mantenga el cabezal del hilo por debajo del nivel de la cintura. Nunca corte con el cabezal del hilo a más de 762 mm (30 pulg.) del suelo.

SÍMBOLOS

Las siguientes palabras de señalización y sus significados tienen el objeto de explicar los niveles de riesgo relacionados con este producto.

SÍMBOLO	SEÑAL	SIGNIFICADO
	PELIGRO:	Indica una situación peligrosa inminente, la cual, si no se evita, causará la muerte o lesiones serias.
	ADVERTENCIA:	Indica una situación peligrosa posible, la cual, si no se evita, podría causar la muerte o lesiones serias.
	PRECAUCIÓN:	Indica una situación potencialmente peligrosa la cual, si no se evita, puede causar lesiones leves o moderadas.
	PRECAUCIÓN:	(Sin el símbolo de alerta de seguridad) Indica una situación que puede producir daños materiales.

Es posible que se empleen en esta herramienta algunos de los siguientes símbolos. Le suplicamos estudiarlos y aprender su significado para mayor seguridad al manejar este producto.

SÍMBOLO	NOMBRE	EXPLICACIÓN
	Símbolo de alerta de seguridad	Indica un peligro posible de lesiones personales.
	Lea el manual del operador	Para reducir el riesgo de lesiones, el usuario debe leer y comprender el manual del operador antes de usar este producto.
	Protección para los ojos y los oídos	Siempre póngase protección ocular con la marca de cumplimiento de la norma ANSI Z87.1 junto con protección para los oídos.
	Mantenga alejadas a las personas presentes	Mantenga alejados a los observadores a un mínimo de 15 metros (50 pies) de distancia.
	Rebote	Cualquier objeto lanzado puede rebotar y producir lesiones personales o daños físicos.
	No instale hoja de corte	No instale ni utilice ningún tipo de hoja de corte en ningún producto con este símbolo.
	Gasolina y lubricante	Use gasolina sin plomo destinada para vehículos con un octanaje de 87 [(R + M) / 2] o más. Este producto está accionado por un motor de dos tiempos y requiere el premezclado de gasolina y lubricante para motor de dos tiempos.

CARACTERÍSTICAS

ESPECIFICACIONES DEL PRODUCTO

Peso (seca)

26CS..... 4,2 kg (9,3 lbs.)

26SS..... 4,5 kg (10,0 lbs.)

Anchura del corte del hilo 432 mm (17 pulg.)

Cilindrada del motor..... 26 cc

Diámetro del hilo 2,0 mm (0,080 pulg.)

FAMILIARÍCESE CON SU RECORTADORA

Vea la figura 1.

Para usar este producto con la debida seguridad se debe comprender la información indicada en la herramienta misma y en este manual, y se debe comprender también el trabajo que intenta realizar. Antes de usar este producto, familiarícese con todas las características de funcionamiento y normas de seguridad del mismo.

DEFLECTOR DE PASTO

La recortadora incorpora un deflector de pasto que ayuda a proteger al operador de los desechos lanzados por la herramienta.

SISTEMA DE AVANCE DE HILO POR GOLPE REEL-EASY™

El sistema de avance de hilo por golpe Reel-Easy™ permite avanzar con facilidad el hilo al utilizarse la recortadora.

MOTOR MONTADO EN LA PARTE SUPERIOR

Con el motor montado en la parte superior se mejora el equilibrio y está alejado del polvo y de los desechos del área de corte.

ARMADO

DESEMPAQUETADO

Embarcamos este producto completamente armado.

- Extraiga cuidadosamente de la caja la producto y los accesorios. Asegúrese de que estén presentes todos los artículos enumerados en la lista de empaquetado.

ADVERTENCIA:

No utilice este producto si alguna pieza incluida en la lista de piezas sueltas (o lista de contenido) ya está ensamblada al producto cuando lo desempaqueta. El fabricante no ensambla las piezas de esta lista en el producto. Éstas deben ser instaladas por el usuario. El uso de un producto que puede haber sido ensamblado de forma inadecuada podría causar lesiones personales graves.

- Inspeccione cuidadosamente la producto para asegurarse de que no haya sufrido ninguna rotura o daño durante el transporte.
- No deseche el material de empaquetado hasta que haya inspeccionado cuidadosamente la producto y la haya utilizado satisfactoriamente.
- Si hay piezas dañadas o faltantes, le suplicamos llamar al 1-800-242-4672, donde le brindaremos asistencia.

LISTA DE EMPAQUETADO

Unidad de la recortadora

Mango delantero

Conjunto del cabezal del hilo

Retén del carrete

LISTA DE EMPAQUETADO (continuado)

Deflector de pasto del eje curvo – 26CS

Deflector de pasto del eje recto – 26SS

Botella de lubricante para motor de dos tiempos

Manual del operador

ADVERTENCIA:

Si falta o está dañada alguna pieza, no utilice este producto sin haber reemplazado la pieza. Usar este producto con partes dañadas o faltantes puede causar lesiones serias al operador.

ADVERTENCIA:

No intente modificar este producto ni hacer accesorios no recomendados para la misma. Cualquier alteración o modificación constituye maltrato el cual puede causar una condición peligrosa, y como consecuencia posibles lesiones corporales serias.

ADVERTENCIA:

Para evitar un arranque accidental que podría causar lesiones corporales graves, siempre desconecte el cable de la bujía del motor de la bujía misma al ensamblar las piezas.

MANGO DELANTERO

Vea la figura 2.

- Afloje y retire la tuerca de mariposa, la arandela de seguridad, la arandela y el perno del mango.

ARMADO

- Instale el mango en el alojamiento del eje de impulsión, en el lugar que indica la etiqueta en el eje.
- Si es necesario, suba o baje el mango para ajustarlo a la posición de manejo deseada.
- Vuelva a colocar el perno, la arandela, la arandela de seguridad y la tuerca de mariposa. Apriete firmemente la tuerca de mariposa.

NOTA: Para las unidades con eje curvo, sólo por razones de envío, el mango está ubicado debajo del alojamiento del eje de impulsión. Se **debe** rotar el mango antes de usar la recortadora.

- Afloje ligeramente la tuerca de mariposa del mango.
- Gire el mango en el alojamiento del eje de impulsión, en el lugar que indica la etiqueta en el eje.
- Vuelva a ajustar la tuerca de mariposa para asegurar el mango en su lugar.

CONJUNTO DEL CABEZAL DEL HILO

Vea las figuras 3 y 4.

- Coloque el conjunto del cabezal del hilo en el extremo del alojamiento del eje de impulsión. Asegúrese de que la abertura con forma hexagonal en el conjunto del cabezal del hilo esté completamente asentada sobre el eje de impulsión. Instale el retén del carrete para asegurarlo.

Instalar el retén del carrete:

En el caso de la 26CS, gire hacia la derecha el retén del carrete.

En el caso de la 26SS, gire hacia la izquierda el retén del carrete.

- Separe el sello de plástico del conjunto del cabezal del hilo. Tire hacia afuera en las hilo para rotar el carrete a la posición de corte.
- Presione el retén del carrete a la vez que tira del hilo, o hilos, para avanzar manualmente el hilo y para verificar el ensamblaje correcto del cabezal del hilo.

DEFLECTOR DE PASTO DEL EJE CURVO – 26CS

Vea la figura 5.

ADVERTENCIA:

La cuchilla de cortar el hilo del deflector de pasto está afilada. Evite tocar la cuchilla. Si no evita tal contacto puede originarse lesiones corporales serias.

- Quite tornillo de hexagonal, la arandela y la tuerca de mariposa del deflector de pasto.
- Monte el deflector de pasto en la parte inferior del eje curvo, como se muestra.
- Introduzca el tornillo de hexagonal a través del deflector de pasto y del soporte del eje curvo.
- Coloque la arandela en el tornillo de cabeza hexagonal.
- Coloque la tuerca de mariposa en el tornillo de cabeza hexagonal y apriételos firmemente.

DEFLECTOR DE PASTO DEL EJE RECTO – 26SS

Vea la figura 6.

- Retire la tuerca de mariposa y la soporte de montaje del deflector de pasto.
- Monte el deflector de pasto del eje recto en el eje de impulsión de manera que el primero encaje en el orificio de posicionamiento del lado inferior del eje de impulsión, cerca del cabezal de engranajes.
- Coloque el soporte de montaje en el eje de impulsión, de manera que la orejeta cuadrada del soporte encaje en la ranura del deflector de pasto del eje recto.
- Gire el soporte de montaje de manera que el deflector de pasto entre en la ranura de dicho soporte.
- Instale la tuerca de mariposa y apriétela firmemente.

FUNCIONAMIENTO

ADVERTENCIA:

No permita que su familiarización con este producto le vuelva descuidado. Tenga presente que un descuido de un instante es suficiente para infligir una lesión grave.

ADVERTENCIA:

Siempre póngase protección ocular con la marca de cumplimiento de la norma ANSI Z87.1 junto con protección para los oídos. La inobservancia de esta advertencia puede permitir que los objetos lanzados hacia los ojos y otros provocarles lesiones graves.

ADVERTENCIA:

Nunca use hojas, dispositivos móviles, alambre ni cuerdas en este producto. No utilice ningún aditamento o accesorio no recomendado por el fabricante de esta herramienta. El empleo de aditamentos o accesorios no recomendados podría causar lesiones serias.

Antes de cada uso, inspeccione todo el producto para detectar algún daño, partes faltantes o sueltas, como tornillos, tuercas, pernos, tapas, etc. Ajuste firmemente todos los sujetadores y las tapas y no active este producto hasta que todas las partes faltantes o dañadas sean reemplazadas. Llame al 1-800-242-4672 o comuníquese con un centro de servicio autorizado para recibir asistencia.

FUNCIONAMIENTO

ABASTECIMIENTO Y REABASTECIMIENTO DE COMBUSTIBLE DE LA RECORTADORA

MEZCLA DE COMBUSTIBLE

Este producto está accionado por un motor de dos tiempos y requiere el premezclado de gasolina y aceite para motor de dos tiempos. La mezcla debe ser en una proporción de 50:1.

NOTA: Recomendamos utilizar ÚNICAMENTE Ryobi lubricante en su producto.

PARA MEZCLAR EL COMBUSTIBLE:

- Utilice un recipiente limpio aprobado para gasolina.
- Mezcle en el recipiente el aceite para motor de dos tiempos suministrado con gasolina sin plomo, según las instrucciones señaladas en el envase del aceite.

Este motor está certificado para funcionar con gasolina sin plomo para vehículos con un octanaje de 87 [(R + M) / 2] o más. No use aceite para vehículos o para motores fuera de borda de 2 tiempos.

NOTA: La mezcla de combustible y aceite permanece fresca hasta 30 días. NO mezcle más producto del que pueda utilizar en un período de 30 días.

LA MEZCLA DE COMBUSTIBLE Y ACEITE (50:1)



COMBUSTIBLE

1 gallon (US)
1 liter

ACEITE

2,6 oz.
20 cc (20 ml)

COMBUSTIBLES OXIGENADOS

NO USE COMBUSTIBLE E85. ANULARÁ SU GARANTÍA.

NOTA: No están cubiertos en la garantía los problemas de desempeño o daños al sistema de combustible producidos por el uso de un combustible oxigenado con un contenido superior a los porcentajes de alcohol o compuesto de éter señalados abajo.

Ethanol. Las gasolinas con un contenido de 10% de etanol por volumen (comunmente conocida como E10) o 15% de etanol por volumen (comunmente conocida como E15) son aceptables. **La E85 no lo es.**

LLENADO DEL TANQUE

- Limpie la superficie alrededor de la tapa del tanque de combustible para evitar toda contaminación.
- Coloque la recortadora sobre el costado, de modo que la boquilla apunte hacia arriba.
- Afloje lentamente la tapa del tanque de combustible. Coloque la tapa en una superficie limpia.
- Vierta cuidadosamente el combustible en el tanque. Evite los derrames.
- Vuelva a colocar inmediatamente la tapa del tanque de combustible y apriételo con la mano. Limpie todo derrame de combustible.

NOTA: Es normal que salga humo de un motor nuevo después de usarlo por primera vez.



ADVERTENCIA:

Siempre apague el motor antes de abastecer el combustible. Nunca agregue combustible a una máquina con el motor en marcha o caliente. Aléjese por lo menos 9 metros (30 pies) del sitio de reabastecimiento de combustible antes de encender el motor. No fume y no evite las llamas abiertas y las chispas. Si no manipula el combustible de manera segura, puede sufrir lesiones personales graves.

ARRANQUE Y APAGADO

Vea las figuras 7 y 8.

Para el arranque debe colocarse la recortadora en una superficie plana y despejada.

Para arrancar con el motor frío:

- Presione lentamente 10 veces la bomba de cebado.
NOTA: Luego de la 7ª vez que oprima, se debe ver el combustible en la bomba de cebado. Si esto no sucede, continúe presionando el cebador hasta que vea combustible en la bomba.
- Coloque la palanca del anegador en la posición **FULL CHOKE** (anegación máxima).
- Oprima completamente el gatillo del acelerador y tire enérgicamente del mango del arrancador hasta que el motor intente arrancar. No tire de la cuerda del arrancador más de cuatro (4) veces.
NOTA: Mantenga completamente oprimido el gatillo.
- Coloque la palanca del anegador en la posición **HALF CHOKE** (anegación media).
- Tire del mango del arrancador hasta que empiece a funcionar el motor. No tire del mango del arrancador más de seis (6) veces.
NOTA: Si el motor no arranca, vuelva a la posición del anegador y repita los siguientes pasos.
- Permita que el motor funcione 10 segundos y después ponga la palanca del anegador en la posición **RUN** (funcionamiento).

Para arrancar con el motor caliente:

- Presione lentamente 10 veces la bomba de cebado.
- Después ponga la palanca del anegador en la posición **RUN** (funcionamiento).
- Oprima completamente el gatillo del acelerador y tire del mango del arrancador hasta que empiece a funcionar el motor.

Para apagar el motor:

- Para apagar el motor, coloque el interruptor de **STOP** en la posición de apagado "⏻".

SI NECESITA ASISTENCIA PARA EL ARRANQUE ESTE PRODUCTO:

No devuelva este producto a la tienda donde fue adquirido. Por favor llame al Departamento de Atención al Cliente para todo problema que pueda tener.

Si necesita asistencia llame al: 1-800-242-4672

FUNCIONAMIENTO

MANEJO DE LA RECORTADORA

Vea la figura 9.

ADVERTENCIA:

Es posible que la carcasa del motor se caliente mientras la recortadora de hilo esté en uso. No apoye ni coloque el brazo, la mano ni ninguna parte del cuerpo contra la carcasa del motor mientras la recortadora esté en uso. Sólo sostenga la recortadora como se muestra en la figura 9 con todas las partes del cuerpo alejadas de la carcasa del motor. El contacto prolongado con la carcasa del motor puede causar quemaduras u otras lesiones.

ADVERTENCIA:

Siempre coloque la unidad al lado derecho de usted. Si se utiliza la unidad colocándola en el lado izquierdo del cuerpo, el usuario expone éste a superficies calientes, lo cual puede causar lesiones por quemadura.

ADVERTENCIA:

Para evitar quemaduras causadas por tocar superficies calientes, al utilizar esta unidad nunca coloque la parte inferior de la misma arriba del nivel de la cintura.

Sujete la recortadora con la mano derecha en el mango trasero y coloque la mano izquierda en el mango delantero. Sujete firmemente la unidad con ambas manos durante la operación. Se recomienda sujetar la recortadora en una posición cómoda, con el mango trasero a la altura de la cadera.

Siempre utilice la recortadora a la máxima aceleración. Corte la hierba alta desde la parte superior hacia abajo. Esto evitará que la hierba se enrolle alrededor del alojamiento del eje y del cabezal del hilo que pudiese causar daño por calentamiento excesivo. Si la hierba se enrolla alrededor del cabezal del hilo, APAGUE EL MOTOR, desconecte el cable de la bujía y desprenda la hierba. El recorte prolongado con el acelerador parcialmente abierto produce goteo de lubricante por el silenciador.

ADVERTENCIA:

Siempre sujete la recortadora de hilo lejos del cuerpo, manteniendo un espacio entre el cuerpo y la herramienta. Cualquier contacto del cuerpo con la armazón o el cabezal de corte de la recortadora de hilo puede producir quemaduras y/o otras lesiones serias.

CONSEJOS PARA RECORTAR

Vea las figuras 9 y 10.

- Evite tocar las superficies calientes de la herramienta; para ello, manténgala lejos del cuerpo. (La posición correcta de manejo de la herramienta se muestra en la figura 9.)
- Mantenga la recortadora inclinada hacia el área de corte; ésta es la mejor área de corte.
- La recortadora de eje curvo corta cuando se pasa la unidad de derecha a izquierda. La recortadora de eje recto corta cuando se pasa la unidad de izquierda a derecha. De esta manera se evita el lanzamiento de desechos hacia el operador. Evite cortar en el área peligrosa mostrada en la figura 10.
- Use la punta del hilo para efectuar el recorte; no fuerce el cabezal del hilo hacia la hierba sin cortar.
- Las cercas de alambre y de estacas causan desgaste adicional en el hilo, incluso la ruptura del mismo. Los muros de piedra y de ladrillo, los cordones y la madera pueden gastar rápidamente el hilo.
- Evite tocar árboles y arbustos. La corteza de los árboles, las molduras de madera, los revestimientos de las paredes y los postes de las cercas pueden resultar dañados fácilmente por el hilo.

AVANCE DEL HILO UTILIZANDO EL SISTEMA DE AVANCE DE HILO POR GOLPE REEL-EASY™

El avance del hilo se controla golpeando levemente el cabezal del hilo sobre la hierba mientras el motor funciona a la máxima aceleración.

- Haga funcionar el motor a la máxima aceleración.
- Golpee levemente el cabezal sobre el suelo para hacer avanzar el hilo. El hilo avanza cada vez que se golpea el cabezal.
- Quizá se necesiten varios golpes hasta que el hilo haga contacto con la cuchilla de corte.
- Reanude el recortado.

NOTA: Si el hilo se gasta hasta quedar muy corto quizá no pueda avanzar el hilo tras golpear el cabezal contra el suelo. Si así fuese, APAGUE EL MOTOR, desconecte el cable de la bujía y avance manualmente el hilo.

AVANCE MANUALMENTE EL HILO

Con el motor apagado y el cable de la bujía desconectó, empuje hacia abajo el retén del carrete mientras tira del hilo, o hilos, según sea el caso, para avanzar manualmente el hilo.

CUCHILLA DE CORTE DEL HILO

Esta recortadora está equipada con una cuchilla de corte del hilo instalada en el deflector de pasto. Para mejores resultados en el recorte, golpee levemente el cabezal sobre el suelo avance el hilo hasta que la cuchilla lo corte a la longitud apropiada. Avance el hilo siempre que escuche que el motor está funcionando más rápido de lo normal, o cuando disminuya la eficiencia del corte. Esto mantendrá un mejor desempeño y mantendrá el hilo a la suficiente longitud para avanzar apropiadamente.

MANTENIMIENTO

ADVERTENCIA:

Al dar servicio a la unidad, sólo utilice piezas de repuesto Homelite idénticas. El empleo de piezas diferentes puede causar un peligro o dañar el producto.

ADVERTENCIA:

Siempre póngase protección ocular con la marca de cumplimiento de la norma ANSI Z87.1 junto con protección para los oídos. La inobservancia de esta advertencia puede permitir que los objetos lanzados hacia los ojos y otros provocar lesiones graves.

ADVERTENCIA:

Antes de inspeccionar, limpiar o dar mantenimiento a la máquina, apague el motor, espere hasta que se detengan todas las piezas en movimiento, desconecte el cable de la bujía y apártelo de la bujía. El incumplimiento de estas instrucciones puede provocar lesiones personales graves o daños materiales.

MANTENIMIENTO GENERAL

Evite el empleo de solventes al limpiar piezas de plástico. La mayoría de los plásticos son susceptibles a diferentes tipos de solventes comerciales y pueden resultar dañados. Utilice paños limpios para eliminar la suciedad, el polvo, el lubricante, la grasa, etc.

ADVERTENCIA:

No permita en ningún momento que fluidos para frenos, gasolina, productos a base de petróleo, lubricantes penetrantes, etc., lleguen a tocar las piezas de plástico. Los productos químicos pueden dañar, debilitar o destruir el plástico, lo cual puede causar lesiones serias.

A menudo, usted puede efectuar los ajustes y reparaciones descritos aquí. Para otro tipo de reparaciones, lleve la recortadora a un establecimiento de servicio autorizado.

REEMPLAZO DEL CARRETE SISTEMA DE AVANCE DE HILO POR GOLPE REEL-EASY™

Veas las figuras 11 y 12.

Si únicamente va a reabastecer el hilo, consulte la sección **Reabastecimiento del hilo** más adelante en este manual.

Use únicamente hilo monofilar de 2.0 mm (0,080 pulg.) de diámetro.

- Apague el motor y desconecte el cable de la bujía. Sujete el cabezal del hilo y desenrosque el retén del carrete.

Para retirar el retén del carrete:

En el caso de la 26CS, gire hacia la izquierda el retén del carrete.

En el caso de la 26SS, gire hacia la derecha el retén del carrete.

- Retire el carrete vacío del cabezal del hilo.

NOTA: No es necesario quitar el alojamiento del cabezal del hilo del eje de impulsión.

- Inserte el nuevo carrete en el cabezal del hilo.

NOTA: Asegúrese de que las flechas en el carrete estén alineadas con los ojillos en el alojamiento del cabezal del hilo. Presione hacia abajo y mantenga presionado el carrete y el alojamiento al mismo tiempo mientras se completa la instalación.

- Vuelva a colocar el retén del carrete para asegurarlo.

Para instalar el retén del carrete:

En el caso de la 26CS, gire hacia la derecha el retén del carrete.

En el caso de la 26SS, gire hacia la izquierda el retén del carrete.

- Coloque el hilo como se describe en la sección **Reabastecimiento del hilo**.

REABASTECIMIENTO DEL HILO

Veas las figuras 12 a 14.

- Apague el motor y desconecte el cable de la bujía.
- Gire el carrete hacia la derecha según sea necesario para alinear las flechas del carrete con los ojillos en el alojamiento del cabezal del hilo.
- Corte una pieza de hilo monofilar de 4,6 m (15 pies) de largo. Encuentre la mitad del tramo de hilo. Inserte el hilo en el ojillo ubicado en el alojamiento de la recortadora de hilo. Empuje hasta que el extremo del hilo salga por el otro lado del cabezal del hilo. Tire del hilo del otro lado hasta que obtenga la misma cantidad de hilo en ambos lados del carrete.
- Gire el carrete hacia la derecha para enrollar el hilo en éste hasta obtener aproximadamente 152,4 mm (6 pulg.) de hilo en cada lado.
- Presione el retén del carrete a la vez que tira del hilo, o hilos, para avanzar manualmente el hilo y para verificar el ensamblaje correcto del cabezal del hilo.

LIMPIEZA DEL ORIFICIO DE ESCAPE

Dependiendo del tipo de combustible utilizado, el tipo y la cantidad de lubricante utilizado, o las condiciones de funcionamiento particulares, el orificio de escape pueden resultar obstruidos con depósitos de carbón. Si observa alguna pérdida de potencia en su herramienta con motor de gasolina, quizá sea necesario eliminar dichos depósitos para restaurar el rendimiento. Recomendamos enfáticamente que este servicio lo realicen únicamente los técnicos de servicio calificados.

PARACHISPAS

Es necesario reemplazar el parachispas cada 50 horas o anualmente para asegurarse del buen funcionamiento de la unidad. Los parachispas pueden estar instalados en diferentes posiciones dependiendo del modelo del cual se trate. Comuníquese con el establecimiento de servicio más cercano para confirmar la ubicación del parachispas para su modelo específico.

LIMPIEZA LA PANTALLA DEL FILTRO DE AIRE

Veas las figuras 15 y 16.

Para obtener un desempeño apropiado y una larga vida útil de la unidad, mantenga limpio el filtro de aire.

MANTENIMIENTO

- Retire la tapa del filtro de aire ejerciendo presión hacia abajo sobre los pestillos mientras la extrae lentamente.
- Gire la placa de obturación para que pueda verse la pantalla del filtro.
- Cepille la pantalla del filtro de aire ligeramente para limpiarlo.
- Cambie la tapa del filtro de aire insertando las lengüetas de la parte inferior de la tapa en las ranuras de la base del filtro de aire; empuje la tapa hacia arriba hasta que quede firmemente enganchada.

TAPA DEL TANQUE DE COMBUSTIBLE



ADVERTENCIA:

Revise la herramienta para ver si tiene fugas de combustible. Una tapa del tanque de combustible con fugas constituye un riesgo de incendio y debe reemplazarse inmediatamente. Si encuentra fugas, corrija el problema antes de utilizar la herramienta. De lo contrario puede producirse un incendio, con el consiguiente riesgo de lesiones serias.

La tapa del tanque de combustible contiene un filtro que no necesita mantenimiento y una válvula de retención. Un filtro de combustible obstruido puede causar un desempeño deficiente del motor. Si

mejora el desempeño al aflojar la tapa del tanque de combustible, es posible que esté defectuosa la válvula de retención o quizá esté obstruido el filtro. Reemplace la tapa del tanque de combustible si es necesario.

BUJÍA

En este motor se emplea una bujía Champion RCJ6Y o equivalente, con una separación interelectrónica de 6,4 mm (0,25 pulg.). Reemplácela con una bujía de repuesto idéntica anualmente, o con mayor frecuencia si es necesario.

ALMACENAMIENTO DE LA RECORTADORA

- Limpie todo material extraño de la recortadora. Almacene la unidad en un espacio bien ventilado inaccesible a los niños. Evite que la unidad entre en contacto con agentes corrosivos como las sustancias químicas para el jardín y las sales para derretir el hielo.
- Cumpla todos los reglamentos federales y municipales para el almacenamiento y manejo seguro de la gasolina.

AL ALMACENAR 1 MES O MÁS:

- Drene todo el combustible del tanque en un recipiente de uso aprobado para gasolina. Accione el motor hasta que se apague.

CORRECCIÓN DE PROBLEMAS

Problema	Causa Posible	Solución
El motor no arranca.	<p>No hay chispa.</p> <p>No hay combustible.</p> <p>Está ahogado el motor.</p> <p>Se requiere más esfuerzo ahora para tirar de la cuerda del arrancador que cuando estaba nueva la unidad.</p>	<p>Revise la chispa. Retire la bujía. Desconecte el cable de la bujía. Vuelva a conectar el cable de la bujía y coloque ésta en el cilindro metálico. Tire de la cuerda de arranque y observe la chispa en el electrodo de la bujía. Si no hay chispa, repita la prueba con otra bujía.</p> <p>Presione la bomba de cebado hasta que se llene de combustible la misma. Si no se llena la bomba, significa que está obstruido el sistema de conducción de combustible. Comuníquese con un establecimiento de servicio. Si se llena la bomba, es posible que esté ahogado el motor (vea el siguiente punto).</p> <p>Retire la bujía, gire la recortadora de manera que el orificio de la bujía apunte hacia el piso. Róte el dial anegador en la posición RUN (funcionamiento) y tire de la cuerda de arranque de 10 a 15 veces. De esta manera se elimina el exceso de combustible del motor. Limpie la bujía y vuelva a instalarla. Con el dial del anegador en la posición de funcionamiento ("RUN"), tire tres veces de la cuerda de arranque. Si no arranca el motor, ponga el dial del anegador en la posición FULL CHOKE (anegación máxima) y repita el procedimiento normal de arranque. Si el motor aún no arranca, repita el procedimiento con una bujía nueva.</p> <p>Comuníquese con un centro de servicio autorizado.</p>

CORRECCIÓN DE PROBLEMAS

Problema	Causa Posible	Solución
El motor arranca pero no acelera.	El motor necesita tres minutos aproximadamente para calentarse.	Permita que se caliente completamente el motor. Si el motor no acelera después de tres minutos, comuníquese con un establecimiento de servicio.
El motor arranca pero únicamente alcanza la alta velocidad con el anegador en posición intermedia.	El carburador necesita ajuste.	Comuníquese con un centro de servicio autorizado.
El motor no alcanza la máxima velocidad y emite demasiado humo.	Mezcla de lubricante y combustible incorrecta. Está sucio el filtro de aire. Carburador desajustado.	Use combustible fresco y la mezcla correcta de lubricante para motor de 2 tiempos. Limpie el filtro de aire. Consulte la sección Limpieza la pantalla del filtro de aire previamente en este manual. Comuníquese con un centro de servicio autorizado.
El motor arranca, marcha y acelera pero no funciona a velocidad de marcha en vacío (ralentí).	El tornillo de marcha lenta del carburador necesita ajuste.	Gire a la derecha el tornillo de marcha lenta para aumentar la velocidad de marcha en vacío (ralentí). <i>Vea la figura 17.</i>
No avanza el hilo.	El hilo se pegó a sí mismo. No hay suficiente hilo en el carrete. El hilo se desgastó hasta quedar muy corto. El hilo está enredado en el carrete. La velocidad del motor está muy lenta.	Lubrique con rociador de silicón. Instale más hilo. Consulte la sección Reabastecimiento del hilo arriba en este manual. Tire del hilo a la vez que alternadamente presiona y suelta el retén del carrete. Retire el hilo del carrete y vuelva a enrollarlo. Consulte la sección Reabastecimiento del hilo arriba en este manual. Avance el hilo a la máxima aceleración.
Es difícil girar el retén del carrete.	Las roscas del cabezal están sucias o dañadas.	Limpie las roscas y lubríquelas con grasa – si no hay mejoría, reemplace el retén del carrete.
El césped se enrolla alrededor del alojamiento del eje y del cabezal del hilo.	Se está cortando la hierba alta a nivel del suelo. Se está utilizando la recortadora con el anegador parcialmente abierto.	Corte la hierba alta desde la parte superior hacia abajo. Accione la recortadora a la máxima aceleración.
Hay goteo de lubricante por el silenciador.	Se está utilizando la recortadora con el anegador parcialmente abierto. Revise la mezcla de lubricante y combustible. Está sucio el filtro de aire.	Accione la recortadora a la máxima aceleración. Use combustible fresco y la mezcla correcta de lubricante para motor de 2 tiempos. Limpie el filtro de aire. Consulte la sección Limpieza la pantalla del filtro de aire previamente en este manual.

GARANTÍA

DECLARACIÓN DE LA GARANTÍA LIMITADA

Homelite Consumer Products, Inc. garantiza al comprador original al menudeo que este producto para uso en el exterior HOMELITE carece de defectos en materiales y mano de obra y acuerda reparar o reemplazar, a la sola discreción de Homelite, cualquier producto defectuoso sin cargo alguno dentro del plazo establecido después de la fecha de compra.

- Dos años para todos los modelos, si se utilizan para fines personales, familiares o domésticos;
- 90 días si el producto se emplea para cualquier otro propósito, como el de alquiler o el uso comercial.

Esta garantía se otorga solamente al comprador original al menudeo, y comienza en la fecha de la compra original al menudeo.

Cualquier parte de este producto manufacturado o suministrado por HOMELITE que, a juicio razonable de HOMELITE, tenga defectos en los materiales o en la mano de obra, será reparado o reemplazado por un centro de servicio autorizado de productos HOMELITE, sin cargo alguno al comprador por concepto de piezas y mano de obra.

El producto, incluida toda pieza defectuosa, debe enviarse a un establecimiento de servicio autorizado dentro del período de la garantía. El gasto de enviar el producto al establecimiento para cualquier trabajo cubierto por la garantía, así como el gasto de devolverlo al propietario después de la reparación, correrán por cuenta del propietario. La responsabilidad de Homelite con respecto a todo reclamo se limita a las reparaciones o reemplazo del producto, y ningún reclamo de incumplimiento de la garantía será causante de la cancelación o rescisión del contrato de venta de ningún producto HOMELITE. En el establecimiento se requerirá el recibo de compra para respaldar cualquier reclamo al amparo de la garantía. Todo trabajo efectuado en cumplimiento de la garantía debe ser realizado en un establecimiento de servicio autorizado de productos Homelite.

Esta garantía se limita a noventa (90) días a partir de la fecha original de la compra de cualquier producto HOMELITE empleado para propósitos comerciales o de alquiler, o cualquier otro propósito generador de ingresos.

Esta garantía no cubre ningún producto HOMELITE que haya sido sujeto a un uso indebido, maltrato, negligencia o accidente, o que haya sido utilizado de cualquier forma contraria a las instrucciones de manejo especificadas en el manual del operador. Esta garantía no aplica a los daños en el producto que resulten del mantenimiento indebido ni a producto alguno que haya sido alterado o modificado. La garantía no cubre ninguna reparación necesaria por el uso normal ni por el uso de piezas o accesorios que sean incompatibles con el producto HOMELITE, o afecten de forma desfavorable su funcionamiento, desempeño o durabilidad. Además, esta garantía no cubre:

A. Afinación – Bujías, carburador, ajustes del carburador, encendido, filtros

B. Artículos sujetos a desgaste – Perillas de tope, carretes exteriores, hilos de corte, carretes interiores, poleas del arrancador, cuerdas del arrancador, correas de transmisión, aspas, arandelas de fieltro, pasadores de enganche, hojas de triturar, ventiladores de sopladoras, tubos de sopladoras y de aspiradoras, sacos y correas de aspiradoras, barras guía y cadenas de sierras.

Homelite se reserva el derecho a cambiar o mejorar el diseño de cualquier producto HOMELITE sin asumir ninguna obligación de modificar ningún producto fabricado previamente.

TODAS LAS GARANTÍAS IMPLÍCITAS ESTÁN LIMITADAS EN DURACIÓN SEGÚN EL PERÍODO DE GARANTÍA DECLARADA. POR CONSIGUIENTE, CUALQUIER GARANTÍA IMPLÍCITA, INCLUSO LAS DE COMERCIABILIDAD, IDONEIDAD PARA UN PROPÓSITO EN PARTICULAR, O DE CUALQUIER TIPO, PIERDEN TOTALMENTE SU VALIDEZ DESPUÉS DEL VENCIMIENTO DEL PERÍODO DE GARANTÍA CORRESPONDIENTE DE DOS AÑOS, UN AÑO O NOVENTA DÍAS. LA OBLIGACIÓN DE HOMELITE EN VIRTUD DE ESTA GARANTÍA SE LIMITA ESTRUCTIVA Y EXCLUSIVAMENTE A LA REPARACIÓN O REEMPLAZO DE LAS PIEZAS DEFECTUOSAS, Y HOMELITE NO ASUME NI AUTORIZA A NADIE A ASUMIR EN SU NOMBRE NINGUNA OTRA OBLIGACIÓN. ALGUNOS ESTADOS NO PERMITEN LIMITACIONES EN CUANTO A LA DURACIÓN DE UNA GARANTÍA IMPLÍCITA, POR LO CUAL ES POSIBLE QUE LA LIMITACIÓN ANTERIOR NO SE APLIQUE EN EL CASO DE USTED. HOMELITE NO ASUME NINGUNA RESPONSABILIDAD POR DAÑOS DIRECTOS, INDIRECTOS O DE NINGÚN OTRO TIPO, COMO EL GASTO DE ENVIAR EL PRODUCTO HOMELITE A UN ESTABLECIMIENTO HOMELITE DE SERVICIO AUTORIZADO Y EL GASTO DE ENVIARLO DE ALLÍ AL PROPIETARIO, EL TIEMPO DE VIAJE DEL MECÁNICO, CARGOS TELEFÓNICOS O TELEGRÁFICOS, ALQUILER DE UN PRODUCTO SUSTITUTO DURANTE EL TIEMPO DE REALIZACIÓN DEL SERVICIO DE LA GARANTÍA, VIAJES, PÉRDIDA O DAÑOS A OBJETOS DE PROPIEDAD PERSONAL, PÉRDIDA DE INGRESOS, PÉRDIDA DEL USO DEL PRODUCTO, PÉRDIDA DE TIEMPO O INCONVENIENTES. EN ALGUNOS ESTADOS NO SE PERMITE LA EXCLUSIÓN O LIMITACIÓN DE DAÑOS DIRECTOS O INDIRECTOS, POR LO CUAL ES POSIBLE QUE LA LIMITACIÓN O EXCLUSIÓN DESCRITA ARRIBA NO SE APLIQUE EN SU CASO.

Esta garantía le confiere derechos legales específicos; es posible también que usted goce de otros derechos, los cuales pueden variar de un estado a otro.

Esta garantía se aplica a todos los productos HOMELITE fabricados por o para Homelite y vendidos en Estados Unidos y en Canadá.

Para localizar el establecimiento de servicio autorizado Homelite más cercano, llame al 1-800-242-4672, o visite nuestro sitio Web en www.homelite.com.

GARANTÍA

LA SIGUIENTE DECLARACIÓN DE LA OFICINA DE RECURSOS ATMOSFÉRICOS DE CALIFORNIA (CARB) SE APLICA SÓLO A LOS MODELOS OBLIGADOS A CUMPLIR CON LOS REQUISITOS DE DICHO ORGANISMO.

DECLARACIÓN DE GARANTÍA LIMITADA DE HOMELITE CONSUMER PRODUCTS, INC. Y REGULACIONES FEDERALES Y DEL ESTADO DE CALIFORNIA EN RELACIÓN CON LOS SISTEMAS DE CONTROL DE EMISIONES DE MOTORES NO VEHICULARES Y DE MOTORES PEQUEÑOS PARA USO FUERA DE CARRETERAS DERECHOS Y OBLIGACIONES DEL CONSUMIDOR SEGÚN LA GARANTÍA

La Dirección de Protección Ambiental (EPA) de EE.UU., la Oficina de Recursos Atmosféricos de California (CARB) y Homelite Consumer Products, Inc. tienen el placer de explicar la Garantía del Sistema de Control de Emisiones de su motor no vehicular o motor pequeño para uso fuera de carreteras modelo 2010. En California, los equipos nuevos que usen motores pequeños para uso fuera de carreteras deben diseñarse, fabricarse y equiparse de manera que cumplan con las rigurosas normas estatales contra la contaminación del aire. En otros estados, los motores nuevos no vehiculares fabricados en el año 2000 y en años posteriores deben estar diseñados, fabricados y equipados, al momento de la venta, para cumplir las normas de la EPA de EE.UU. para motores pequeños para uso fuera de carreteras. El motor no vehicular debe carecer de defectos en los materiales y en la mano de obra que puedan causar el incumplimiento de las normas de la EPA de EE.UU. durante los primeros dos años de uso del motor a partir de la fecha de venta al comprador final. Homelite Consumer Products, Inc. debe garantizar el sistema de control de emisiones de su motor no vehicular o motor pequeño para uso fuera de carreteras por el período señalado arriba, siempre y cuando dicho motor no haya sido sujeto a uso indebido, negligencia o mantenimiento inadecuado.

Es posible que el sistema de control de emisiones incluya piezas como el carburador o el sistema de inyección de combustible, el sistema de encendido, convertidores catalíticos, tanques de combustible, válvulas, filtros, abrazaderas, conectores y otros componentes relacionados. También puede incluir mangueras, correas y conectores, además de otros ensambles relacionados con el control de emisiones.

Donde exista una condición amparable en la garantía, Homelite Consumer Products, Inc. reparará su motor no vehicular o motor pequeño para uso fuera de carreteras sin ningún cargo a usted, incluyendo el diagnóstico, las piezas de repuesto y la mano de obra si el trabajo se efectúa en un centro de servicio autorizado de productos para uso en el exterior de la marca HOMELITE®.

COBERTURA DE LA GARANTÍA DEL FABRICANTE:

El sistema de control de emisiones de este producto está garantizado por dos años. Si está defectuosa cualquier pieza del motor relacionada con el control de emisiones, Homelite Consumer Products, Inc. la reparará o la reemplazará, sin cargo al consumidor.

RESPONSABILIDADES DEL PROPIETARIO EN RELACIÓN CON LA GARANTÍA

(a) Como propietario del motor no vehicular o motor pequeño para uso fuera de carreteras, usted es responsable de la realización del mantenimiento necesario indicado en el manual del operador. Homelite Consumer Products, Inc. le recomienda conservar todos los recibos de mantenimiento de su motor no vehicular o motor pequeño para uso fuera de carreteras; no obstante, Homelite Consumer Products, Inc. no puede negar la cobertura de la garantía únicamente por la carencia de recibos o por no asegurarse el propietario de la realización de todo el mantenimiento programado. Se pueden usar piezas de repuesto o servicios equivalentes en rendimiento y durabilidad en las tareas de mantenimiento o reparación no amparadas por la garantía, sin que se reduzcan las obligaciones de Homelite Consumer Products, Inc. amparadas por esta garantía.

(b) Sin embargo, como propietario de un motor no vehicular o motor pequeño para uso fuera de carreteras, usted debe saber que Homelite Consumer Products, Inc. puede negarle la cobertura de la garantía si dicho motor o una parte del mismo ha fallado debido a uso indebido, negligencia, mantenimiento inadecuado o modificaciones no autorizadas.

(c) Usted es responsable de presentar su motor no vehicular o motor pequeño para uso fuera de carreteras en un establecimiento de servicio autorizado tan pronto como surja el problema. Las reparaciones amparadas por la garantía deben realizarse en un plazo razonable menor de 30 días.

Si tiene alguna pregunta con respecto a sus derechos y responsabilidades en relación con la garantía, le recomendamos comunicarse con un representante del departamento de servicio al consumidor de Homelite Consumer Products, Inc. llamando al 1-800-242-4672.

REQUISITOS DE COBERTURA DE DEFECTOS ESTABLECIDOS EN LA GARANTÍA:

(a) El período de garantía se inicia el día en que el motor o equipo es entregado a un comprador final.

(b) Cobertura de Garantía General por Emisiones. Homelite Consumer Products, Inc. garantiza al comprador final y a cada uno de los compradores subsiguientes que su motor no vehicular o motor para uso fuera de carreteras está diseñado, fabricado y equipado, al momento de la venta, para cumplir todas las normas correspondientes adoptadas por la Oficina de Recursos Atmosféricos de California (CARB) o la Dirección de Protección Ambiental (EPA) de EE.UU.; que carece de defectos en los materiales y en la mano de obra que puedan causar el incumplimiento de las normas correspondientes por parte del motor durante un período de dos años a partir de la fecha de compra del motor no vehicular o motor pequeño para uso fuera de carreteras por el comprador inicial.

(c) La garantía sobre las piezas relacionadas con el control de emisiones se interpretará como sigue: Toda pieza garantizada cuyo cambio no esté programado según lo requerido en el Programa de mantenimiento para el control de emisiones y lista de piezas con garantía, incluido a continuación, está garantizada por dos años. Si alguna de dichas piezas (incluida cualquier pieza para la que se programen únicamente inspecciones regulares) falla durante el período de cobertura de la garantía, será reparada o reemplazada sin cargo en cualquier Centro de Servicio Autorizado de HOMELITE®. Cualquier pieza reparada o reemplazada en virtud de la garantía quedará garantizada por el resto del período de la garantía. Una declaración que indique "reparar o reemplazar según sea necesario" no reducirá el período de cobertura de la garantía. Toda pieza garantizada cuyo cambio esté programado

según lo requerido en el Programa de mantenimiento para el control de emisiones y lista de piezas con garantía está garantizada por el período previo al momento del primer cambio programado para dicha pieza. Toda pieza reparada o reemplazada en virtud de la garantía queda garantizada por el resto del período previo al momento del primer cambio programado, y será reparada o reemplazada en cualquier Centro de Servicio Autorizado de HOMELITE® sin cargo hasta que llegue el momento de dicho cambio.

Homelite Consumer Products, Inc. reparará todo defecto amparado por la garantía en cualquier Centro de Servicio Autorizado de HOMELITE®, incluido cualquier centro de distribución autorizado a realizar el servicio de los motores objeto de la presente. Todo trabajo de diagnóstico que se realice en un Centro de Servicio Autorizado de HOMELITE® será sin cargo para el propietario si mediante dicho trabajo se determina que una pieza garantizada está defectuosa. Se pueden utilizar piezas de repuesto aprobadas por el fabricante, o equivalentes, para cualquier mantenimiento o reparación amparado por la garantía en las piezas relacionadas con el control de emisiones, y deben proporcionarse sin ningún cargo para el propietario si dichas piezas aún están protegidas por la garantía. Homelite Consumer Products, Inc. es responsable de daños a otros componentes del motor causados por la falla de una pieza garantizada cuya garantía aún esté vigente.

No está permitido utilizar piezas agregadas o modificadas que no estén exentas por la Oficina de Recursos Atmosféricos de California. El uso de cualquier pieza agregada o modificada que no esté exenta constituirá causal para rechazar un reclamo en virtud de la garantía. Homelite Consumer Products, Inc. no será responsable de garantizar fallas de piezas garantizadas causadas por el uso de una pieza agregada o modificada que no esté exenta.

La Lista de Piezas con Garantía de Emisiones de la Oficina de Recursos Atmosféricos de California define específicamente las piezas garantizadas relacionadas con el control de emisiones. (Las normas de la EPA no incluyen una lista de piezas, pero la EPA considera que las piezas garantizadas y relacionadas con el control de emisiones incluyen todas las piezas que se indican a continuación.) Homelite Consumer Products, Inc. proporcionará cualquier documento que describa sus procedimientos o políticas de garantía dentro de los cinco días de haber sido requerido por la Oficina de Recursos Atmosféricos de California.

LISTA DE PIEZAS PARA EL CONTROL DE EMISIONES

Las piezas para el control de emisiones varían de un producto a otro. Su garantía del sistema de control de emisiones se aplica a cualquiera de los siguientes componentes que pueda estar incluido en su producto:

- (1) Sistema de administración de combustible
 - (i) Carburador y piezas internas (y/o regulador de presión o sistema de inyección de combustible).
 - (ii) Sistema de retroalimentación y control de la mezcla de aire y combustible.
 - (iii) Sistema de enriquecimiento de la mezcla para arranque en frío.
 - (iv) Tanque de combustible.
- (2) Sistema de inducción de aire
 - (i) Sistema con toma de aire caliente controlada.
 - (ii) Múltiple de admisión.
 - (iii) Filtro de aire.
- (3) Sistema de encendido
 - (i) Bujías.
 - (ii) Sistema de ignición magnético o electrónico.
 - (iii) Sistema de avance/retardo de chispa.
- (4) Sistema de recirculación de gases de escape (Exhaust Gas Recirculation, EGR)
 - (i) Cuerpo de válvula y separador del carburador del EGR, si corresponde.
 - (ii) Sistema de retroalimentación de régimen y control del EGR.
- (5) Sistema de inyección de aire
 - (i) Bomba de aire o válvula de impulsos.
 - (ii) Válvulas que afecten la distribución del flujo.
 - (iii) Múltiple de distribución.
- (6) Catalizador o sistema de reactor térmico
 - (i) Convertidor catalítico.
 - (ii) Reactor térmico.
 - (iii) Múltiple de escape.
- (7) Controles de partículas
 - (i) Trampas, filtros, precipitadores y cualquier otro dispositivo utilizado para captar emisiones de partículas.
- (8) Elementos varios utilizados en los sistemas antes mencionados
 - (i) Controles electrónicos.
 - (ii) Válvulas e interruptores sensibles al vacío, la temperatura y el tiempo.
 - (iii) Mangueras, correas, conectores y conjuntos.

Con cada nuevo motor, Homelite Consumer Products, Inc. proveerá instrucciones escritas para su mantenimiento y uso por parte del propietario.

El período de cumplimiento con los reglamentos de control de emisiones señalado en la etiqueta de cumplimiento de dichos reglamentos indica el número de horas de funcionamiento para las cuales se ha demostrado que el motor cumple los requisitos de control de emisiones de los reglamentos federales. Categoría C=50 horas, B=125 horas y A=300 horas.

GARANTÍA

ESTE PRODUCTO SE FABRICÓ CON UN SILENCIADOR CATALÍTICO

¡Felicidades! Acaba de realizar una inversión para proteger el medio ambiente. A fin de conservar el nivel de emisiones original de este producto, le suplicamos consultar el apartado sobre mantenimiento que aparece abajo.

PROGRAMA DE MANTENIMIENTO PARA EL CONTROL DE EMISIONES Y LISTA DE PIEZAS GARANTIZADAS

Piezas para el control de emisiones	Inspeccionar cada vez antes de usar la unidad	Limpiar cada 5 horas de uso	Reemplazar cada 25 horas de uso o cada año	Limpiar cada 25 horas de uso o cada año	Reemplácelo cada 50 Horas
-------------------------------------	---	-----------------------------	--	---	---------------------------

CONJUNTO DE SILENCIADOR CATALÍTICOX

CONJUNTO DEL FILTRO DE AIRE

INCLUYE:

PANTALLA.....X

CONJUNTO DEL TANQUE DE COMBUSTIBLE

INCLUYE:

CONDUCTOS DE COMBUSTIBLEX

TAPA DEL TANQUE DE COMBUSTIBLE.....X

CONJUNTO DEL ENCENDIDO

INCLUYE:

BUJÍA.....X

TODAS LAS PIEZAS RELACIONADAS CON LAS EMISIONES ESTÁN GARANTIZADAS POR DOS AÑOS O POR EL PERÍODO DE TIEMPO PREVIO AL MOMENTO DEL PRIMER CAMBIO PROGRAMADO DE LAS PIEZAS, LO QUE SUCEDA PRIMERO.



¡APROVECHE AL MÁXIMO SU COMPRA!

Dirijase a www.homelite.com y registre en línea su nueva herramienta.

Este producto ha sido probado enteramente antes de embarcarse para asegurar la completa satisfacción del consumidor.

¡Si tiene preguntas sobre el funcionamiento o el mantenimiento del producto, llame al teléfono de atención al consumidor de Homelite !

Para registrar su producto Homelite por correo normal sirvase escribir en letra de molde la siguiente información en una tarjeta de 76 mm x 127 mm (3 pulg. x 5 pulg.) o en una tarjeta postal estándar: su nombre, dirección, números de teléfono, dirección de correo electrónico, producto(s) Homelite adquirido(s), con el número de artículo mostrado en el paquete y el número de serie de cada producto. Envíe la tarjeta a: Homelite Consumer Products, Attn. Homelite Registration, 1428 Pearman Dairy Road, Anderson, SC 29625 USA. Si desea recibir información sobre nuestra compañía y sus productos, incluya por favor el siguiente enunciado en la tarjeta de registro: “Envíenme información sobre su compañía y sus productos utilizando la información de contacto que estoy suministrando en el registro de este producto.”

Homelite®

OPERATOR'S MANUAL

MANUEL D'UTILISATION
MANUAL DEL OPERADOR

26cc String Trimmers

TAILLE-BORDURES À LIGNE DE 26cc
RECORTADORAS DE HILO DE 26cc

26CS – UT32600
26SS – UT32650

ALL VERSIONS / TOUTES LES VERSIONS / TODAS LAS VERSIONES

WARNING:

The engine exhaust from this product contains chemicals known to the State of California to cause cancer, birth defects, or other reproductive harm.

CALIFORNIA PROPOSITION 65

AVERTISSEMENT :

Les gaz d'échappement de ce produit contiennent des produits chimiques identifiés par l'état de Californie comme causes de cancer, de malformations congénitales et d'autres troubles de l'appareil reproducteur.

PROPOSITION 65 DE L'ÉTAT DE CALIFORNIE

ADVERTENCIA:

Las emanaciones provenientes del escape del motor de este producto contienen sustancias químicas reconocidas por el estado de California como causantes de cáncer, defectos congénitos y otras afecciones del aparato reproductor.

CALIFORNIA - PROPUESTA DE LEY NÚM. 65

SERVICE

For parts or service, contact your nearest Homelite authorized service dealer. Be sure to provide all relevant information when you call or visit. For the location of the authorized service dealer nearest you, please call 1-800-242-4672 or visit us online at www.homelite.com.

REPAIR PARTS

The model number of this product is found on a plate or label attached to the housing. Please record the serial number in the space provided below.

MODEL NO. _____

SERIAL NO. _____

• • • • •

DÉPANNAGE

Pour tout entretien ou réparation du produit, contacter le centre de réparations Homelite agréé le plus proche. Veiller à fournir toutes les informations pertinentes lors de tout appel téléphonique ou visite. Pour obtenir l'adresse du centre de réparations agréé le plus proche, téléphoner au 1-800-242-4672, ou visiter notre site www.homelite.com.

PIÈCES DE RECHANGE

Le numéro de modèle se trouve sur une plaquette ou étiquette placée sur le bâti. Noter le numéro de série dans l'espace ci-dessous.

NUMÉRO DE MODÈLE _____

NUMÉRO DE SÉRIE _____

• • • • •

SERVICIO

Para obtener piezas o servicio, comuníquese con el centro de servicio autorizado de Homelite más cercano. Asegúrese de proporcionar todos los datos pertinentes al llamar o al presentarse personalmente. Para obtener información sobre el establecimiento de servicio autorizado más cercano a usted, le suplicamos llamar al 1-800-242-4672 o visitar nuestro sitio en la red mundial, en la dirección www.homelite.com.

PIEZAS DE REPUESTO

El número de modelo de este producto se encuentra en una placa o etiqueta pegada a la caja del motor. Le recomendamos anotar el número de serie en el espacio suministrado abajo.

NÚMERO DE MODELO _____

NÚMERO DE SERIE _____

HOMELITE CONSUMER PRODUCTS, INC.

1428 Pearman Dairy Road, Anderson, SC 29625
1-800-242-4672 • www.homelite.com