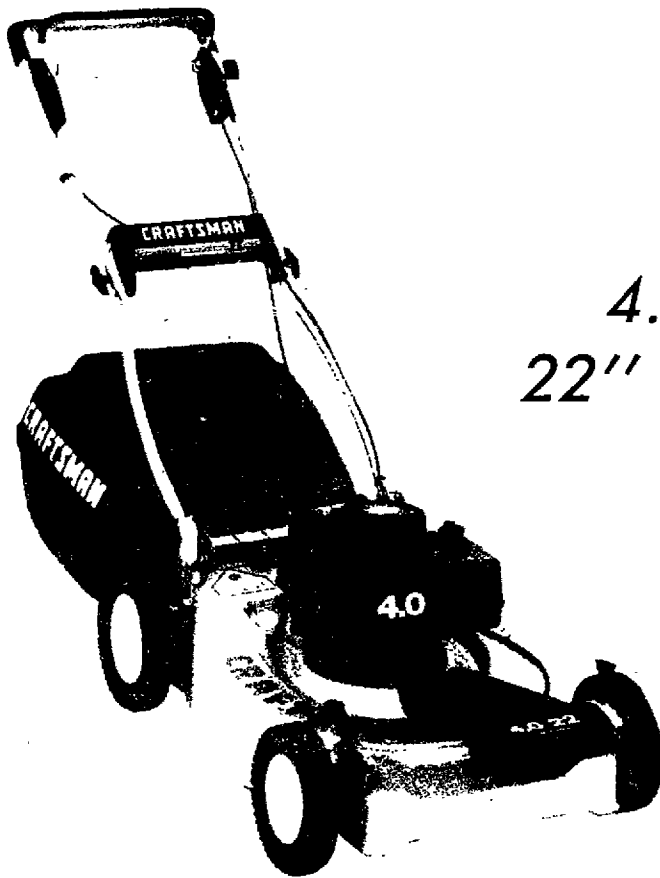


OWNER'S MANUAL

MODEL NO.
917.372330

SEARS
CRAFTSMAN[®]



4.0 RESERVE POWER 22" POWER-PROPELLED LAWN MOWER

THIS MOWER COMPLIES WITH FEDERAL REGULATION EFFECTIVE JUNE 30, 1982. TO START THE ENGINE IT IS NECESSARY TO DEPRESS THE FOOT PEDAL WHILE STANDING BEHIND THE MOWER BEFORE PULLING ON THE STARTER ROPE. FOR FURTHER STARTING INFORMATION REFER TO PAGE 2 OF THIS MANUAL.

SEARS, ROEBUCK AND CO., CHICAGO, IL 60684 U.S.A.

CRAFTSMAN quality LAWN CARE equipment.

TWO YEAR LIMITED WARRANTY ON CRAFTSMAN POWER MOWER

For two years from the date of purchase, when this Craftsman power mower is maintained, lubricated and tuned-up according to the instructions in the owner's manual, Sears will repair, free of charge, any defect in material and workmanship.

If this Craftsman power mower is used for commercial or rental purposes, this warranty applies for only 90 days from the date of purchase.

This warranty does not cover:

- Expendable items which become worn during normal use, such as rotary mower blades, blade adapters, belts, air cleaners and spark plug.
- Repairs necessary because of operator abuse or negligence, including bent crank-shafts and the failure to maintain the equipment according to the instructions contained in the owner's manual.

WARRANTY SERVICE IS AVAILABLE BY RETURNING THE CRAFTSMAN POWER MOWER TO THE NEAREST SERVICE CENTER/DEPARTMENT IN THE UNITED STATES.

This warranty gives you specific legal rights, and you may also have other rights which vary from state to state.

SEARS, ROEBUCK and CO. Department 698/731A Sears Tower, Chicago, Ill. 60684

MAINTENANCE AGREEMENT

A SEARS MAINTENANCE AGREEMENT IS AVAILABLE ON THIS PRODUCT. CONTACT YOUR NEAREST SEARS STORE FOR DETAILS.

CUSTOMERS RESPONSIBILITIES

Read and observe the rules for safe use. Always use care when using your lawn mower. Keep away from moving parts.

DO NOT work on your lawn mower with engine running. Always keep your mower clean.

Follow a regular schedule in maintaining, caring for and using your lawn mower. A well cared for mower will run and last longer.

Follow the instructions under "Maintenance" and "Storage" sections of this Owner's Manual.

Blade, blade flange, air cleaner/air filter, spark plug are expendable parts which are your responsibility

TABLE OF CONTENTS

WARRANTY
KNOW YOUR CRAFTSMAN MOWER
RULES FOR SAFE USE
HELP YOUR LAWN MOWER LAST LONGER
HOW TO SET-UP YOUR MOWER
BEFORE STARTING ENGINE
HOW TO USE YOUR MOWER
MAINTENANCE
STORAGE
REPAIR PARTS
ENGINE REPAIR PARTS
TROUBLE SHOOTING

KNOW YOUR CRAFTSMAN® MOWER

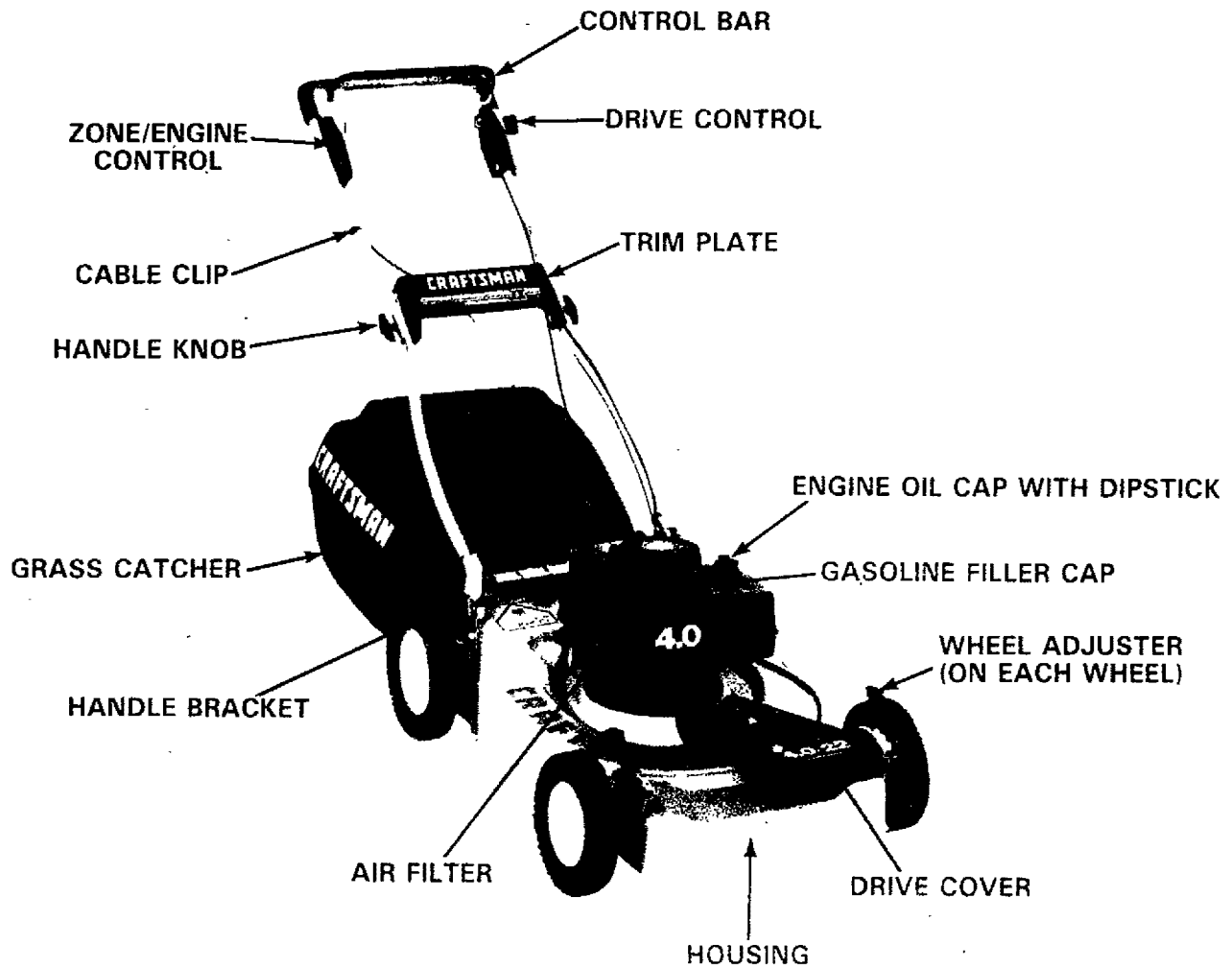


FIG. 1

MEETS CPSC BLADE SAFETY REQUIREMENTS

SPECIFICATIONS	TOOLS REQUIRED
<p>Oil: Use SAE 10W30 motor oil. SAE 30 motor oil can also be used.</p> <p>Gasoline: Use unleaded automotive gasoline. Regular automotive gasoline can also be used. DO NOT use premium gasoline, or gasoline containing alcohol.</p>	<p>FOR CATCHER ASSEMBLY 3/8 and 7/16" wrench or adjustable wrench Medium flat blade screwdriver</p> <p>FOR BLADE REMOVAL Standard 15/16" box or open end wrench</p>

Sears Rotary Walk-Behind Power Mowers conform to the safety standards of the American National Standards Institute, Outdoor Power Equipment Institute, and U.S. Consumer Product Safety Commission, as applicable.

RULES FOR SAFE USE




CAUTION: ALWAYS DISCONNECT SPARK PLUG WIRE AND PLACE WIRE WHERE IT CANNOT CONTACT SPARK PLUG TO PREVENT ACCIDENTAL STARTING WHEN SETTING-UP, TRANSPORTING, ADJUSTING OR MAKING REPAIRS TO YOUR MOWER.

IMPORTANT

FEDERAL REGULATIONS REQUIRE THE ENGINE CONTROL INSTALLED ON THIS MOWER IN ORDER TO REDUCE THE RISK OF BLADE CONTACT INJURY. DO NOT UNDER ANY CIRCUMSTANCE ATTEMPT TO DEFEAT THE OPERATION OF THE OPERATOR CONTROL.

1. Please read your owner's manual. Only allow persons who know the safety rules to use your mower.
2. DO NOT tie the control bar to the handle. Control must be free to permit brake engagement when handles and control are released.
3. DO NOT allow children to use your mower.
4. Check your mower over before each time you mow. Tighten any loose bolts, nuts, etc.
5. Remove all sticks, stones, wires, cans, boards, etc. from area to be mowed. These objects can be thrown by the blade.
6. DO NOT allow children, bystanders, or pets in the mowing area.
7. BE CAREFUL - WHEN THE ENGINE IS RUNNING THE BLADE IS TURNING.
8. Always shut off engine before trying to adjust wheel heights.
9. When engine is running, DO NOT put hands or feet under mower or in the discharge chute, nor make any adjustments.
10. Stay clear of discharge opening at all times.
11. Check gasoline before each use. Do not fill gas tank when engine is running, when indoors or when engine is hot. Allow engine to cool for several minutes before filling gas tank. Clean off any spilled gasoline before starting engine.
12. Mow only in good light.
13. Wear only solid shoes when mowing. DO NOT operate mower when barefoot, or wearing open sandals.
14. Disengage drive control on power propelled mowers before starting engine.
15. DO NOT use a damaged mower. Always have mower inspected before mowing.
16. Always stop engine when mowing on grass or when crossing gravel, sidewalk, or roadway.
17. Never pull mower toward you. Always follow mower to cut.
18. Never use your mower with damaged mower guards or deflectors in place.
19. Always mow across a slope or inclined area. DO NOT mow up or down a slope or inclined area.
20. DO NOT mow in wet grass. Do not run with the mower.
21. DO NOT run your mower in enclosed areas. Exhaust gases are deadly.
22. DRAIN THE GASOLINE tank before transporting your mower in a car or other vehicle.
23. DO NOT run your mower if it vibrates too much. Stop engine and check for repairs. Vibration is an indication of engine damage.
24. DO NOT change the engine governor settings to over-speed the engine--damage or injury can result.
25. If a grass catcher is used on a mower, check the catcher for damage or deterioration. Under normal use it will wear. Replace as recommended. Always stop engine to clean catcher.
26. DO NOT store your mower in a garage where gasoline fumes may collect and cause a fire.
27. Always wear safety glasses before starting your mower and while mowing.



The operation of any lawn mower can result in foreign objects thrown into the eyes, which can result in severe eye damage. Always wear safety glasses or eye shields before starting your lawn mower and while mowing. We recommend Wide Vision Safety Mask for over the spectacles or standard safety glasses, available at Sears Retail or Catalog Stores.

ACCESSORIES TO HELP YOU GET THE MOST FROM YOUR MOWER

- CLIPPING DEFLECTOR:** Converts rear bagging mowers to side discharge to disperse clippings safely and evenly.
- HIGH WHEEL KIT:** A pair of 12-inch rear wheels improves handling on soft, spongy lawns and uneven terrain. **NOTE:** If the 71 33721 High Wheel Kit is purchased as an accessory, the cutting height range will be reduced to five (5) different positions; from 1 1/2" to 3 1/2".
- MOWER COVER:** Sears Tyvek® cover protects mower from weather when stored outdoors.
- GAS CAN:** A new gas can keeps rust and dirt out of fuel system for longer engine life and improved performance. Craftsman gas cans have built in filters to keep impurities out of your engine.
- THESE ACCESSORIES WERE AVAILABLE AT MOST SEARS STORES AND THROUGH THE CATALOG AT THE TIME THIS MANUAL WAS PRINTED.**

IMPORTANT TIPS TO HELP YOUR LAWN MOWER START FASTER, RUN AND PERFORM BETTER

1. **USE UNLEADED GASOLINE:** It burns cleaner and leaves less residue in the engine. Regular gasoline can also be used. **DO NOT** use gasoline containing any alcohol or with any additives.
2. **DRAIN OR RUN-OUT ALL GASOLINE FROM TANK AT THE END OF THE SEASON:** **DO NOT** leave gasoline in your mower when stored for long periods. It will "GUM" your engine. Run engine until the gasoline runs out.
3. **START EACH MOWING SEASON WITH FRESH GASOLINE:** **DO NOT** keep gasoline in your can. If your gasoline can is starting to rust, replace can.
4. **CHANGE YOUR SPARK PLUG EVERY SPRING:** An old corroded spark plug prevents fast starting and smooth running engine.
5. **REPLACE YOUR AIR CLEANER OR FILTER OFTEN:** Dirt, along with heat can harm your engine, the cleaner or filter will clog up, preventing clean air from reaching your engine. See "Air Cleaner/Filter" section of this manual for replacing air cleaner or filter.
6. **USE SAE 10W30 OIL:** **DO NOT** use SAE 10W40 oil.
7. **CHANGE OIL AS RECOMMENDED:** **IMPORTANT** - change oil after the first two (2) hours of use, then every 25 hours of use.
8. **REPLACE THE BLADE WHEN NEEDED:** You can sharpen the blade, but we do not recommend it. Erosion from hitting foreign objects can damage the blade. Replace blade with one specifically designed for your mower.
9. **AT THE END OF THE SEASON, CLEAN YOUR MOWER:** **IMPORTANT** - first disconnect the spark plug wire. If possible, store your mower in a well ventilated area and protected from moisture.
10. **FOLLOW THE MAINTENANCE SUGGESTIONS IN YOUR OWNERS MANUAL:** Read your manual and keep it in a convenient place for easy reference.
11. **DO NOT PUT ANY ADDITIVES IN THE OIL OR GASOLINE:** **DO NOT USE GASCHOL,** or gasoline containing any alcohol.

NOISE RATING

88 DECIBELS (A-WEIGHTED SOUND LEVEL)

Noise level can vary due to manufacturing variance, engine size, and blade design. This noise rating is based upon measurements taken at the operator's ear on a representative sample(s) and is subject to verification by an independent testing laboratory.

Your lawn mower has been completely assembled at the factory, except for the grass catcher and grass catcher fr To set-up and attach grass catcher, follow the steps under "GRASS CATCHER".

The following parts are included not assembled:

- 1 Grass Catcher Frame
- 1 Grass Catcher Top
- 1 Grass Catcher Bottom
- 1 Hardware Package
- 1 Catcher Handle

HOW TO SET-UP YOUR MOWER

TO UNFOLD HANDLE

1. Raise the handles until the lower handle is in mowing position (See Fig. 2).
NOTE: The lower handle automatically locks into mowing position when raised from shipping to mowing position.
2. Raise the upper handle into position on the lower handle and tighten the two (2) handle knobs.
3. The handle can be mounted in high or low position to suit the comfort of the user. The handles are shipped mounted in the high position.
4. If the handle feels too high for you:
 - a. Remove the two (2) screws, one (1) bolt and locknut holding the trim plate and rope guide to lower handle. Keep for re-assembly (See Fig. 1).
 - b. Remove the handle knobs and bolts from upper and lower handle.
 - c. Remove the hairpin cotters (See Fig. 3).
 - d. Turn handle over, position handle levers in place (See Fig. 4).
 - e. Put handle back on mounting pins (See Fig. 3).
 - f. Put springs and hairpin cotters back in mounting pins (See Fig. 3).
 - g. Put upper handle on lower handle using handle bolts and knobs previously removed.
 - h. Put trim plate and rope guide back on lower handle, removed in (a) above. Tighten the two (2) screws and one (1) bolt (See Fig. 1).
 - i. Snap cable clip over cable and lower handle (See Fig. 1).
5. To fold handle for storage, squeeze the handle levers until lower handle clears handle brackets, then move handle forward (See Fig. 3).

CAUTION: WHEN FOLDING HANDLE FOR TRANSPORTING OR STORAGE, BE SURE TO FOLD HANDLE THE WRONG WAY, YOU MAY BEND THE CONTROL CABLES.

TO ADJUST HEIGHT OF CUT

NOTE: The wheels are set in a low cut position for shipment, and should be adjusted for the cutting height desired before use. NOTICE: Lowering wheels raises the height of cut.

CAUTION: DO NOT change the height of cut with the engine running

1. The wheel adjusters give you seven (7) different cutting positions. Medium cut is the best for most lawns

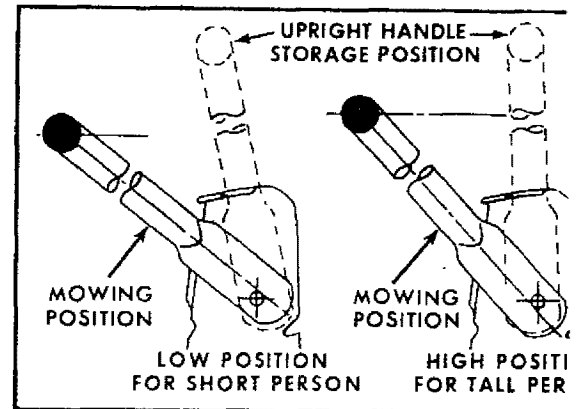


FIG. 2

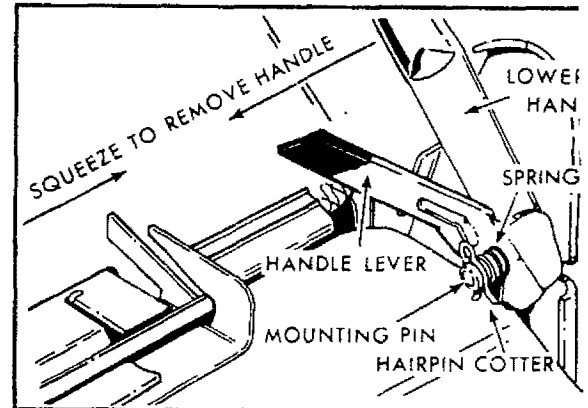


FIG. 3

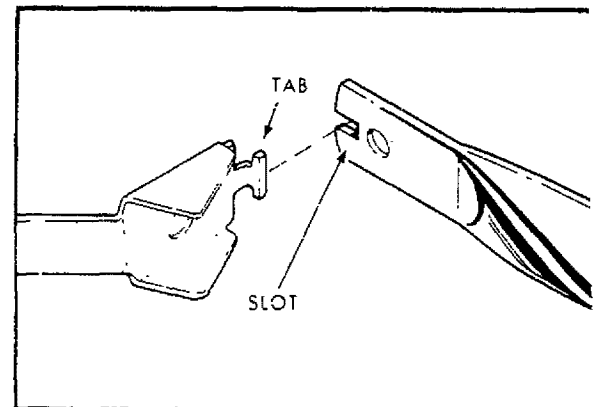


FIG. 4

2. High cut is approximately 4", medium cut is approximately 2 1/2" and low cut is approximately 1 3/4". There are four (4) other positions. Pick the position which suits you for best cutting (See Fig. 6).
3. The wheel adjusters on your lawn mower can be easily adjusted as shown in Fig. 7. To change the height of cut, squeeze adjuster lever toward the wheel, moving up or down to selected height. Be sure all wheels are in the same setting (See Fig. 6).
4. When cutting in heavy or moist grass, the rear of lawn mower may be raised one setting higher to allow better discharge of the grass.

NOTE: If the 33721 High Wheel Kit is purchased as an accessory, the cutting height range will be reduced five (5) different positions; from 1 1/2" to 3 1/2"

HOW TO SET-UP YOUR MOWER (CONT'D)

REAR DEFLECTOR

The rear deflector, attached between the rear wheels of your lawn mower, was assembled at the factory and requires no assembly.

TO ASSEMBLE GRASS CATCHER

NOTE: The grass catcher for your mower is supplied unassembled. To assemble your grass catcher follow steps below.

SCREWS ACTUAL SIZE



1/4-20 x 3/4"
SCREW



#10-24 x 5/8"
SCREW

1. Position clamp onto catcher frame as shown in (Fig. 8) and close ends of clamp.

NOTE: When closing clamp be sure the holes in clamp are in line.

2. Put grass catcher frame with clamp installed into catcher top as shown in Fig. 8).
3. Put one (1) #10-24 x 5/8 truss head screw into hole in catcher top and clamp and install #10-24 locknut. **DO NOT TIGHTEN** (See Fig. 7).
4. Put three (3) #10-24 x 5/8 truss head screws into the catcher frame and install #10-24 locknuts.
5. Locate and position the catcher handle on top of catcher top as shown in fig 8.
6. Install two (2) #10-24 x 5/8" truss head screws thru handle and catcher top. See Fig. 8.
7. Install two #10-24 locknuts on the screws. See Fig. 8. Use a flat blade screwdriver to drive screws while holding the locknuts with adjustable or 3/8" wrench (See Fig. 8).
8. Position baffle inside of catcher top as shown in (Fig. 9). Put two (2) #10-24 truss head screws into holes with two (2) #10-24 locknuts. Use a flat blade screwdriver to drive screws while holding the locknuts with adjustable or 3/8" wrench.
9. Position top half of catcher on the bottom half (See Fig. 10).
10. Align the holes in sides of top and bottom halves of catcher.
11. Install the eight (8) 1/4-20 x 3/4" truss head screws, starting at the right front of catcher as shown in Fig. 10.
12. Install the right front truss head screw thru the catcher and install one (1) stiffener on the screw.
13. Install the 1/4" locknut on the screw.
14. Install the other seven (7) screws and nuts, on the last or seventh screw install the stiffener and locknut.
15. Use a medium flat blade screwdriver to tighten the screws while holding the "Keps" nut with adjustable or 7/16" wrench.

NOTE: Check all screws and nuts to be sure they are tight.

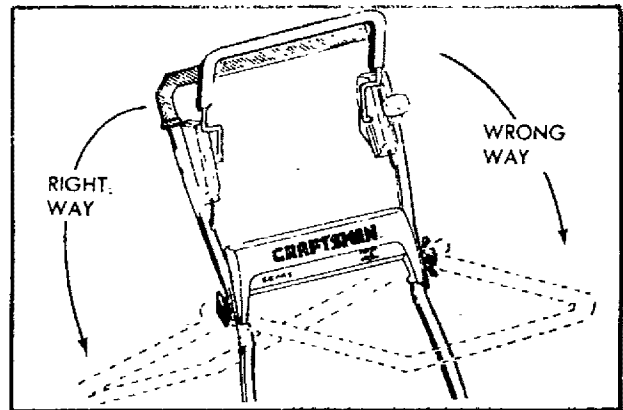


FIG. 5

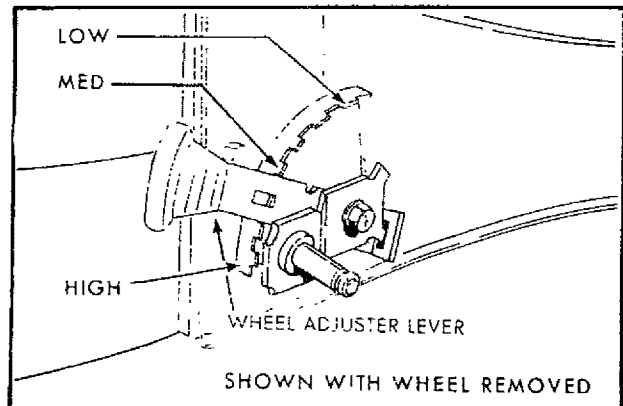


FIG. 6

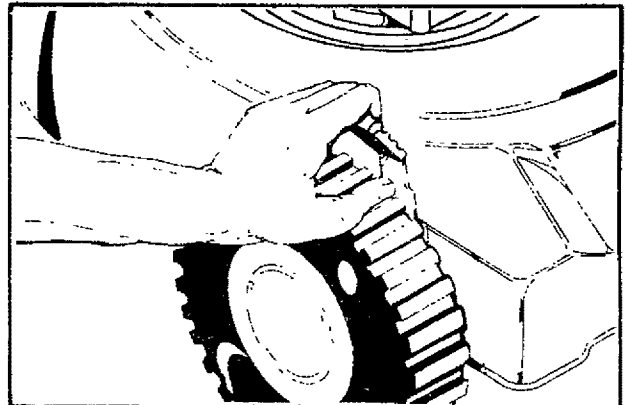


FIG. 7

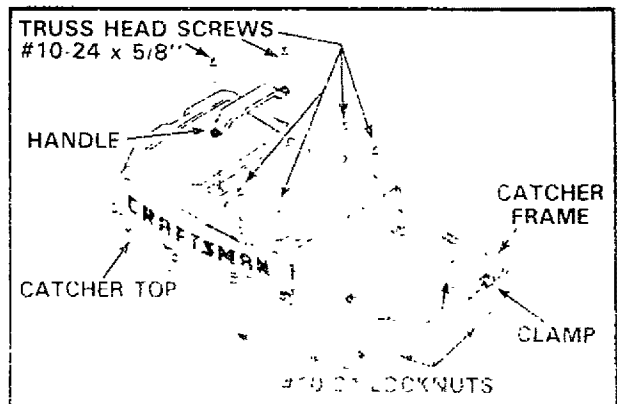


FIG. 8

HOW TO SET-UP YOUR MOWER (CONT'D)

TO ATTACH GRASS CATCHER

1. Place the catcher frame into the slots of the hinge bracket.
2. Depress the door latch tab and slide the frame into position at the end of the slot (See Fig. 11).
3. Release door latch tab to lock frame into place.
4. To remove grass catcher, stop blade, lift up on back of grass catcher with one (1) hand and press down on the door latch tab with the other hand (See Fig. 11).
5. When grass catcher frame is unlatched, remove catcher from the rear of the mower and empty.
6. When grass catcher is removed from the mower, the rear door closes for safety.

NOTE: YOUR REAR BAGGER MOWER IS NOT A MULCHING MOWER. DO NOT OPERATE YOUR MOWER WITHOUT AN APPROVED GRASS CATCHER OR OPTIONAL CLIPPING DEFLECTOR IN PLACE.

NEVER ATTEMPT TO OPERATE THE MOWER WITH THE DOOR REMOVED OR PROPPED OPEN.

TO EMPTY GRASS CATCHER

1. Lift grass catcher, by grasping the handle on top of grass catcher and on the rear of catcher (See Fig. 12).
2. To empty the grass clippings, shake the catcher, with the open end over or into suitable container for disposal (See Fig. 12).

BEFORE STARTING ENGINE

1. Remove engine oil cap with dipstick and fill to the "FULL" line on the dipstick, using about 1 pint or 0.5 liters of Sears 10W30 oil or equivalent. SAE 30 oil can also be used (See Fig. 13). DO NOT use SAE 10W40 oil.

The total oil capacity of your engine is 21 oz. or 0.62 liters. Fill only to the "FULL" line on the dipstick. DO NOT over fill. The first fill on a new engine use about 1 pint or 0.5 liters. Check oil level and add as required to bring to proper level.

2. Pour oil slowly, DO NOT over fill.

NOTE: On a new engine some oil may be left in the engine, as each engine is run for operational checks before shipping.

3. AFTER THE FIRST TWO (2) HOURS OF MOWING CHANGE THE OIL. See "To Change Oil" section under maintenance.

Use only oil with automotive classifications SF, SE, SD or SC markings on oil container.

4. Fill the gasoline tank with about one and one half (1 1/2) quarts of fresh clean unleaded automotive gasoline. Regular leaded gasoline can also be used (See Fig. 13)

DO NOT use old or stale gasoline which has been kept from one season to another. Starting problems can result.

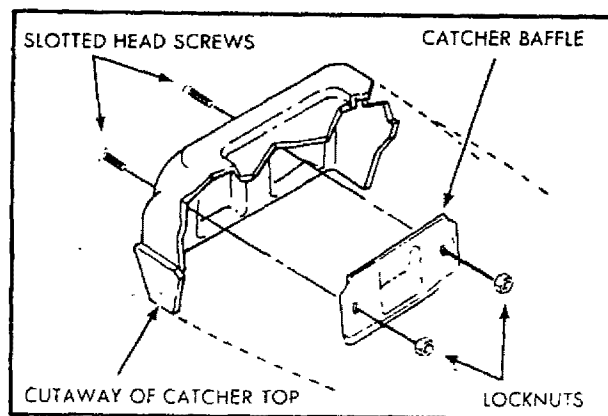


FIG. 9

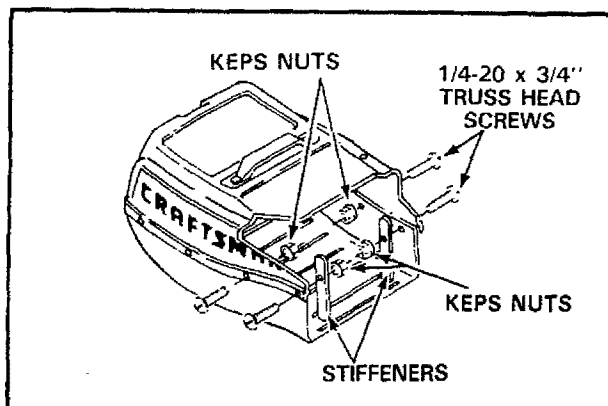


FIG. 10

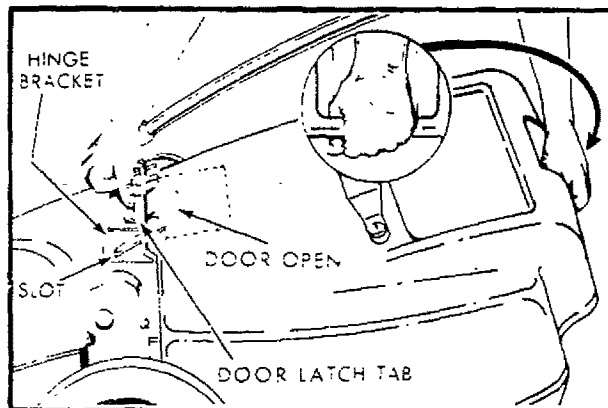
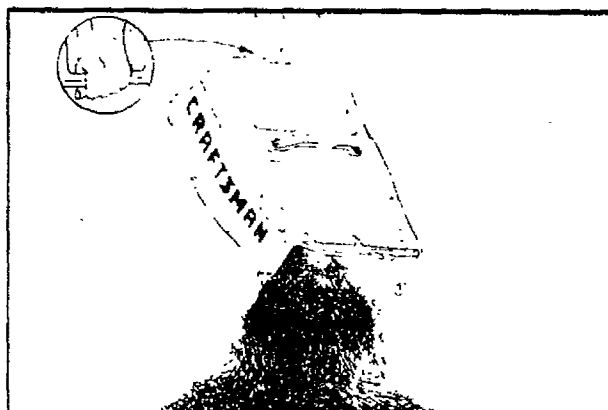


FIG. 11



BEFORE STARTING ENGINE

CAUTION: DO NOT USE GASOLINE CONTAINING ANY AMOUNT OF ALCOHOL, AS IT CAN CAUSE SERIOUS DAMAGE OR CAN SIGNIFICANTLY REDUCE ENGINE PERFORMANCE.

**DO NOT USE PREMIUM GASOLINE.
DO NOT PUT ANY ADDITIVES IN THE OIL OR GASOLINE.**

*Be sure your gasoline can is clean and free of rust and dirt.
Replace your can if it has started to rust.*

HOW TO USE YOUR MOWER IMPORTANT

ENGINE CONTROL

CAUTION: THE BLADE TURNS WHEN THE ENGINE IS RUNNING.

YOUR MOWER IS EQUIPPED WITH AN OPERATOR ZONE ENGINE CONTROL WHICH REQUIRES THE OPERATOR TO BE POSITIONED BEHIND THE MOWER HANDLE TO START AND OPERATE THE MOWER.

THE CONTROL BAR MUST BE DEPRESSED TO THE HANDLE TO START AND RUN THE ENGINE, RELEASING THE CONTROL BAR WILL STOP THE ENGINE. AN INTERNAL ENGINE BRAKE ASSISTS THE BLADE IN STOPPING QUICKLY.

WHEN THE OPERATOR LEAVES THE NORMAL MOWING POSITION TO REMOVE THE GRASS CATCHER, CHANGE THE CUTTING HEIGHT, PICK UP STICKS OR OTHER OBJECTS IN THE MOWING PATH, THE ENGINE WILL AUTOMATICALLY STOP WHEN THE CONTROL BAR IS RELEASED.

CAUTION: FEDERAL REGULATIONS REQUIRE THE ENGINE CONTROL INSTALLED ON THIS MOWER IN ORDER TO MINIMIZE THE RISK OF BLADE CONTACT INJURY. DO NOT UNDER ANY CIRCUMSTANCE ATTEMPT TO DEFEAT THE FUNCTION OF THE OPERATOR CONTROL.

ENGINE CONTROL

The engine speed is controlled by a lever (red knob) located on right side of engine. It has "HIGH" and "LOW" positions. "HIGH" position is for starting engine, heavy cutting and better grass bagging. "LOW" position is for light cutting, trimming and fuel economy (See Fig. 14).

TO START ENGINE

THE CONTROL BAR MUST BE DEPRESSED TO THE HANDLE TO START AND RUN THE ENGINE.

NOTE: The carburetor has a fixed fuel mixture and has a primer to assist starting.

Check oil level; check gasoline tank for gasoline; and make sure spark plug wire is attached.

2. Push lever forward to "HIGH" position (See Fig. 14).

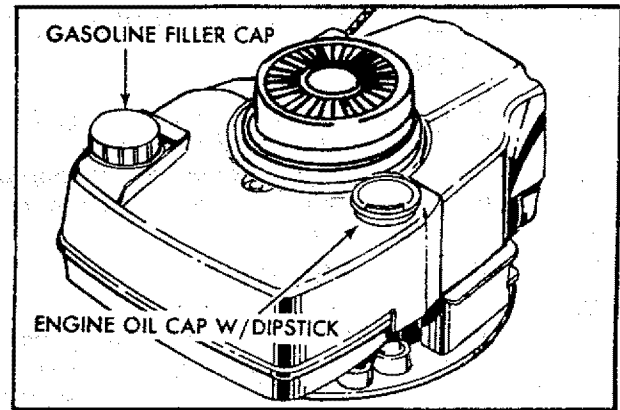


FIG. 13

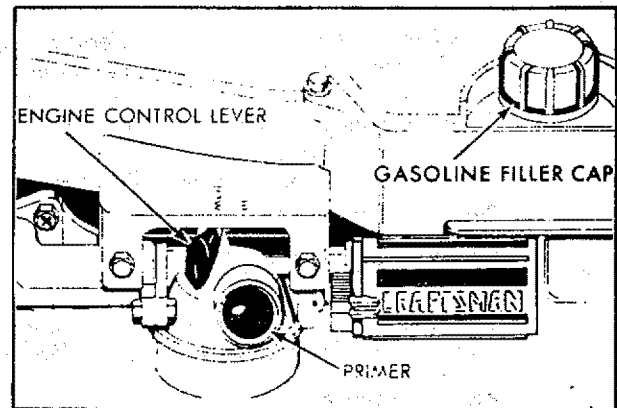


FIG. 14

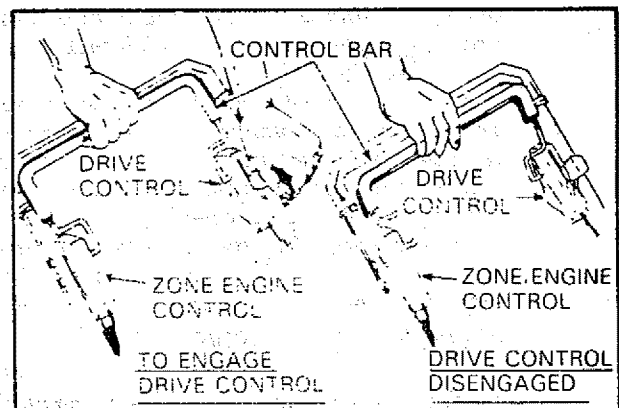


FIG. 15

3. When starting a cold engine, push the primer five (5) times before pulling starter rope. Use firm pushes when pushing primer, wait several seconds between each push (See Fig. 14).
4. Repeat step 3 above as required.

NOTE: In cooler weather the need to repeat priming procedures may be necessary. When weather is warmer over priming may result in flooding. If you do flood engine wait a few minutes before repeating priming procedures. It is not necessary to use the primer on a warm engine.

HOW TO USE YOUR MOWER (CONT'D) TO START ENGINE

5. Position yourself as shown in Fig. 17.
6. Pull on starter handle quickly.
7. **DO NOT** allow starter rope to snap back.
8. To stop the engine, release the control bar (See Fig. 16).

IF ENGINE DOES NOT START

1. Check blade - remove spark plug wire when checking blade. If blade is loose, see "BLADE AND BLADE FLANGE CARE" of manual for instructions on tightening blade.
2. Check air filter - replace if clogged. See "Air Filter" section.
3. Check spark plug - if dirty, clean or replace.
4. Observe that lower end of the engine control cable is actuating the lever mounted on the engine.
5. Engine may be flooded - wait a few minutes and repeat starting procedure.

NOTE: If then your engine will not start, contact your nearest Sears Service Department for help.

ZONE/ENGINE CONTROL

Your mower is equipped with a zone/engine control attached and requires no adjustments (See Fig. 15).

DRIVE CONTROL

The power-propelling forward motion is controlled by pulling the control bar down to handle and pushing the drive control lever forward until it clicks, then release the lever (See Fig. 15).

Forward motion will stop when the control bar is released. To stop forward motion without stopping the engine, release the control bar slightly until the drive control disengages. Depress control bar to handle to continue mowing without self-propelling.

To turn corners, you may prefer to keep the drive control engaged, and push down on the handle, lifting the front wheels off the ground and turning mower.

POWER-PROPELLED DRIVE

1. Your power-propelled drive is accomplished by a belt drive from the engine crankshaft to a worm gear case.
2. The drive belt is spring-loaded at the gear case to maintain proper belt tension. Keep the area around the gear case clear of trash by removing drive cover and cleaning (See Fig. 18 and 19).
3. The gear case is lubricated with multi-purpose automotive grease. **DO NOT USE ANY OTHER** type grease or oil in the gear case. See "GEAR CASE" under "Maintenance".
4. Check your mower, each time you mow, to be sure that the front wheels turn freely. If wheels **DO NOT** turn freely, remove any trash which may have gotten into the wheel pinion or bearing areas.
5. If at any time, the drive belt is replaced, use only factory specified belt to get longer life and maximum performance.

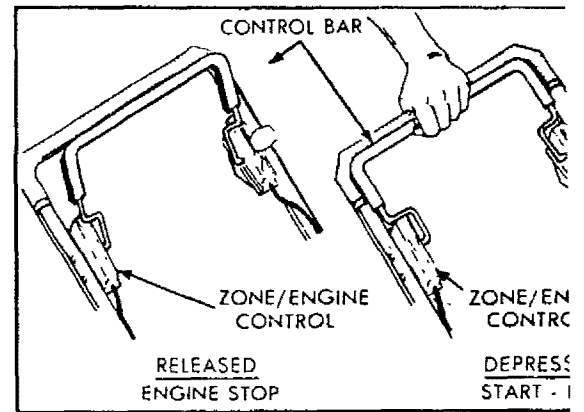


FIG. 16

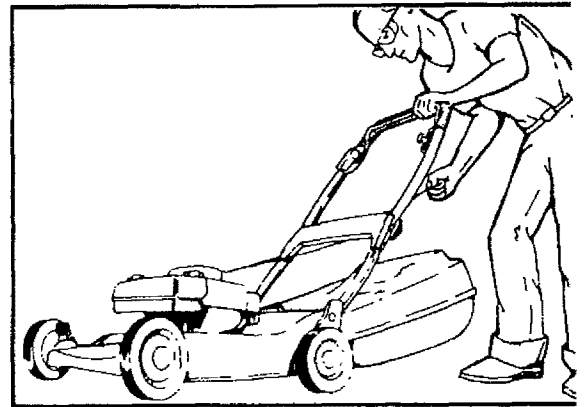


FIG. 17

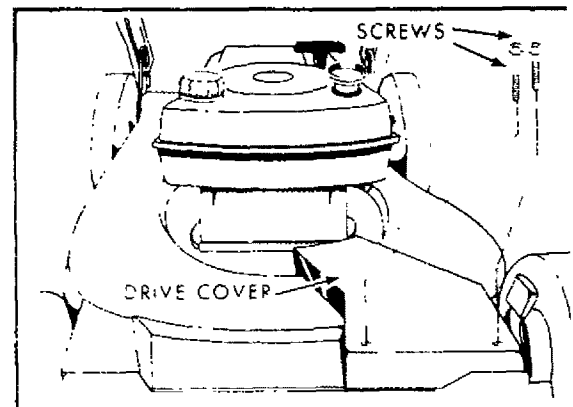
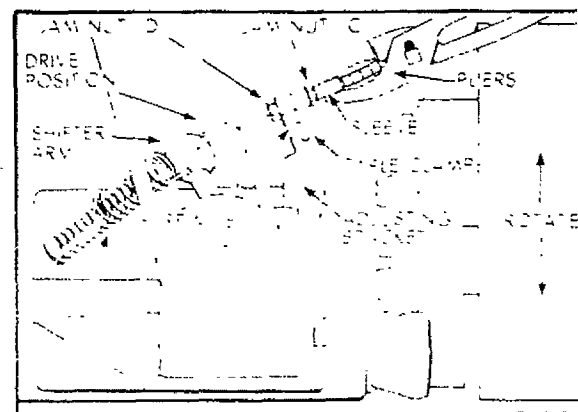


FIG. 18



HOW TO USE YOUR MOWER (CONT'D)

MOWING TIPS

1. Under certain conditions it may be necessary to raise the height of cut to keep from overloading the engine and leaving clumps of grass clippings.
2. For extremely heavy cutting, make the width of your cut 1/2 to 3/4 the normal cut. This will reduce the load on the engine and give you cleaner cutting and bagging.
3. The user should note that when cutting moist, heavy grass with a rear bagging mower, clumps of cut grass may fail to enter the grass catcher. To pick up the clumps if they occur, run the mower over the area a second time.
4. Under certain conditions a trail of grass clippings may be left at the right side of the mower. Mowing in a clockwise direction with a small overlap will allow these clippings to be collected on next pass.

MAINTENANCE

Be good to your mower. Once a year put on a new mower blade, a new spark plug, and a new air filter. A new blade cuts better. With a new spark plug your engine will start and run better. A new air filter assure proper air-fuel mixture. It will help your engine run better and last longer.

MOWER:

BLADE/BLADE FLANGE CARE

CAUTION: Protect your hands when removing or installing blade of your mower. Wear heavy gloves and/or wrap blade with heavy cloth when holding blade. Always use a block of wood when tightening blade nut or blade bolt.

Use only a Sears authorized replacement blade to get the best cutting results.

CAUTION: Disconnect spark plug wire from spark plug and place wire where it cannot come in contact with the spark plug.

1. To remove the blade and blade flange, turn mower on its side with carburetor and air filter up (See Fig. 20).
2. Take blade nut off by turning counter-clockwise. Use a 15/16" box or open end wrench on the blade nut (See Fig. 20).
3. Put a block of wood between the blade and mower housing to prevent blade rotation when removing and tightening blade nut.

NOTE: Always check the blade flange when changing the blade to be sure tab has not been damaged (See Fig. 21).

4. If the tab in the blade flange is damaged replace the blade flange

NOTE: The blade flange with tab attaches the blade to crankshaft. It is not intended to protect the crankshaft. The tab must be in good condition and located in slot of crankshaft to keep blade attached

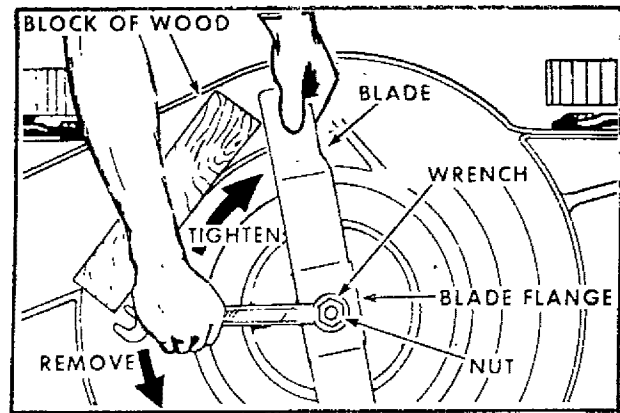


FIG. 20

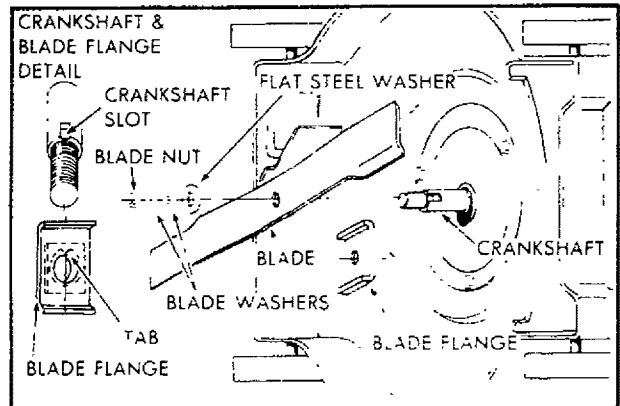


FIG. 21

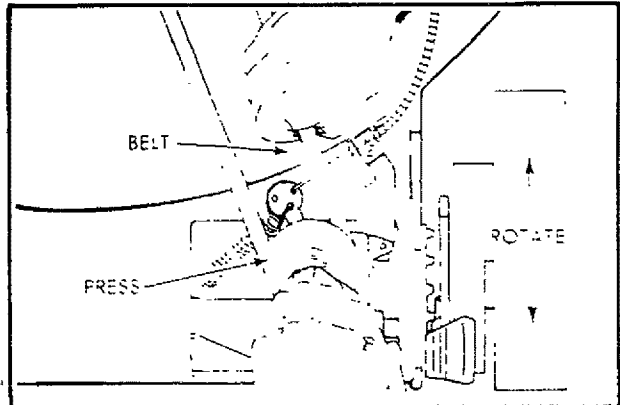


FIG. 22

5. Put the blade flange on the engine crankshaft with the tab in the slot of the crankshaft (See Fig. 21).
6. Put the blade on the crankshaft as shown in (Fig. 21). Be sure the word "TOP" (stamped in the blade) is toward the engine.
7. Install the flat washer, two (2) formed washers and blade nut as removed above

NOTE: We recommend that the blade nut be replaced when installing a new blade.

8. Tighten blade nut. The recommended tightening torque is 50-65 ft. lbs. Use block of wood to prevent blade rotation.

NOTE: Torque wrenches are available at most Sears retail stores and through the catalog. A loose blade can result in difficult starting of engine.

MAINTENANCE (CONT'D)

BLADE/BLADE FLANGE CARE (CONT'D)

We **DO NOT** recommend sharpening blade - you can keep the cutting edge touched up with a file. Grinding the cutting edge excessively can cause the blade to be out of balance. An unbalanced blade can cause excessive vibration and shorten the life of the engine and mower.

REAR DEFLECTOR

The rear deflector which is attached to the rear of your mower is to keep objects from being thrown out the back of the mower. If your rear deflector becomes damaged you should replace it (See Fig. 24).

TO ADJUST DRIVE CONTROL CABLE

NOTE: THE DRIVE CONTROL CABLE SHOULD BE CHECKED OFTEN TO BE SURE THAT GEAR CASE SHIFTER IS FULLY ENGAGED OR WHENEVER SERVICE HAS BEEN PERFORMED ON THE GEAR CASE OR DRIVE CONTROL COMPONENTS.

1. To adjust, remove the drive cover by removing two (2) screws. Keep for re-use (See Fig. 18).
2. Loosen cable clamp screws "A" & "B" (See Fig. 25).
3. Loosen both jam nuts "C" & "D" at the cable clamp on the gear case adjusting bracket (See Fig. 19).
4. Unhook clutch spring from shifter arm (See Fig. 19).
5. Hold, clip or tape down the drive control bar and engage the drive control (See Fig. 15).
6. Move the shifter arm to drive position. To be sure the jaw clutch is fully engaged, rotate the front wheels.
7. Hold shifter arm in fully engaged position by pliers as shown in Fig. 19. **DO NOT** pull on control cable.
8. Tighten jam nut "C" up to bracket until cable is snug.
9. Tighten cable clamp screw "B" (See Figs. 19).
10. Tighten jam nut "D" up to bracket (See Fig. 19).
11. Tighten screw "A" (Fig. 25).
12. Put clutch spring back in place on shifter arm, removed in step 4 above.
13. With drive control in engaged position, push mower back and forth to be sure gear case is fully engaged.

NOTE: Be sure to disengage drive control before starting engine.

14. Put drive cover back in place, removed in step 1 above.

GEAR CASE

1. THE GEAR CASE AND AREA AROUND ALL THE DRIVE SHOULD BE KEPT CLEAN AND FREE OF TRASH BUILD-UP
2. To check gear case area.
 - a. Remove the drive cover by removing the two (2) screws (See Fig. 18). Keep for re-use.
 - b. Clean trash from around gear case.
Put drive cover back, removed in (a) above.

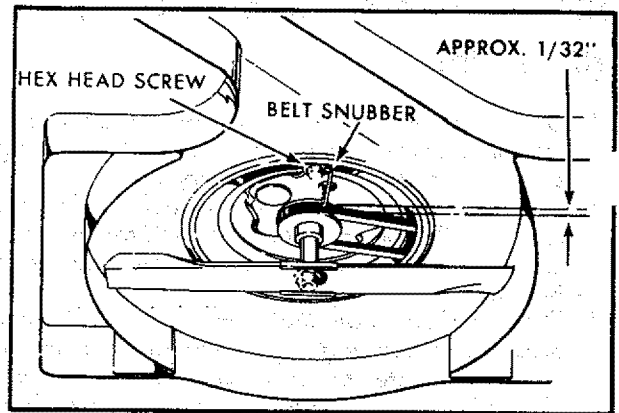


FIG. 23

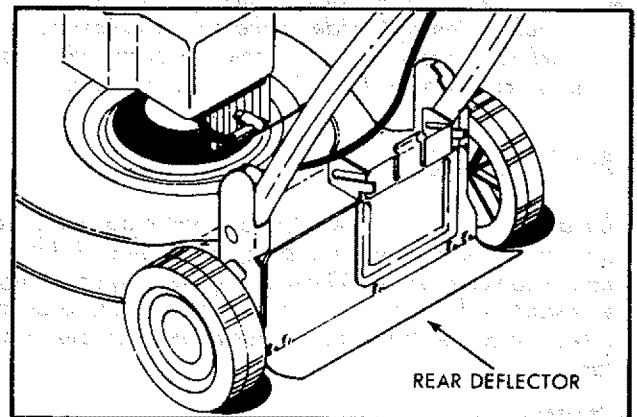


FIG. 24

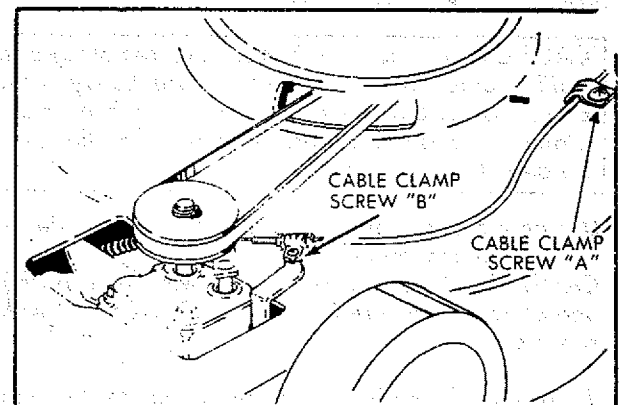


FIG. 25

NOTE: The gear case is filled to proper level at the factory. The only time the lubricant needs attention is if service has been performed on the gear case. The gear case must be filled with grease after gear case has been serviced. Use only multi-purpose automotive grease. Do not substitute.

LUBRICATION

MOWER WHEELS: Lubricating wheels and/or wheel bearings is not necessary under normal conditions. Should conditions require lubrication, thoroughly clean wheels and/or wheel bearings and axles and apply a light coating of dry lubricant.

REAR DOOR HINGE: Put a few drops of the same oil as used in the engine on hinge points of rear door once or twice each year (See Fig. 24).

MAINTENANCE (CONT'D)

GEAR CASE: The gear case is filled at the factory and does not require any addition of lubricant, unless the gear case is opened and service performed. Use only a multi-purpose automotive grease for refilling after service has been performed. Approximately 2 1/2 oz. required.

FRONT WHEEL ADJUSTERS: Put a few drops of the same oil as used in the engine on the front wheel adjusters once or twice each year (See Fig. 27).

GRASS CATCHER

Check your grass catcher often for damage or deterioration. Through normal use it will wear. If catcher needs replacing, replace only with a manufacturer approved replacement catcher from Sears. Give the mower number when ordering.

NOTE: The catcher may be hosed with water, but must be dry when used.

ZONE/CONTROL LEVER

Put one or two drops of the same oil as used in the engine between the zone control lever and bracket located on left rear of engine (See Fig. 28). Do this once or twice each year.

CLEANING

CAUTION: Disconnect spark plug wire from spark plug and place wire where it cannot come in contact with the spark plug.

1. Turn mower on its side with carburetor up.

2. Clean the underside of your mower by scraping to remove build-up of grass and trash.

NOTE: We recommend that you clean the underside of your mower after each use.

3. Clean your mower and engine often to keep build-up of trash from accumulating around engine, a clogged engine runs hotter and shortens engine life.

NOTE: We DO NOT recommend using a garden hose to clean mower unless the electrical system, muffler, air filter and carburetor are covered to keep water out. Water in engine can result in shortening engine life.

GEAR CASE AND DRIVE WHEELS

NOTE: The gear case and drive wheels should be cared for much like you would on automobile.

1. On a regular schedule remove the drive cover and remove any trash around gear case and belt area.

2. To remove drive cover, remove the two (2) screws (See Fig. 18). Keep for re-use.

3. Keep your mower clean and properly lubricated.

DRIVE WHEELS

NOTE: Check front drive wheels each time before you mow, to be sure they move freely.

1. The wheels not turning freely, indicates trash, grass, cuttings etc. are in the drive wheel area, and must be cleaned to free drive wheels.

2. If necessary to clean the drive wheels (See Fig. 27) check both front wheels

a. Remove hub caps, hairpin cotters and washers. Keep for re-use

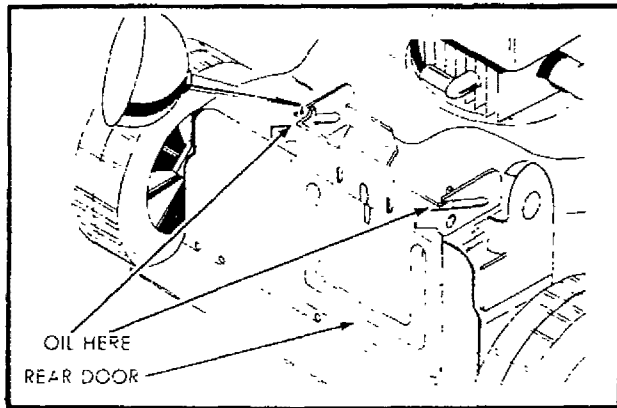


FIG. 26

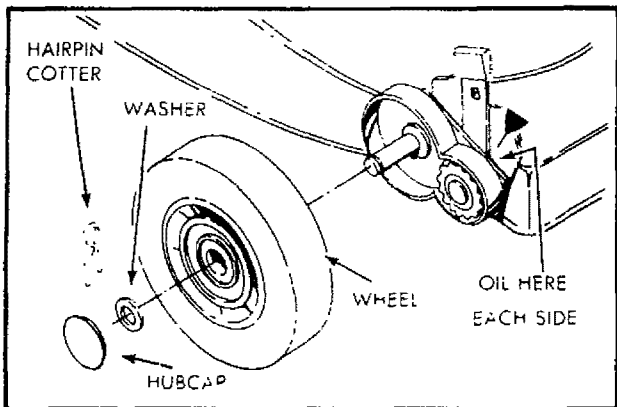


FIG. 27

- b. Remove wheel from wheel adjusters.
 - c. Remove any trash, grass cuttings from inside the dust cover, pinion and/or drive wheel gear teeth.
 - d. Put wheels back in reverse of removal.
3. If after cleaning drive wheel area, the drive wheels DO NOT rotate freely, the gear case needs care.
- NOTE:** If your gear case requires service we suggest that you contact Sears Service Center.

TO CHECK AND/TO REPLACE BELT

1. Remove the drive cover by removing the two (2) screws (See Fig. 18).
2. Inspect belt for wear or damage. If you decide to replace:
 - a. Push down on gear case pulley until belt can be removed from gear case pulley (See Fig. 22).
3. Turn mower on its side with carburetor up.
4. Loosen hex head screw holding belt snubber in place and move belt snubber away from pulley (See Fig. 23).
5. Remove belt from engine pulley on crankshaft and carefully slip the belt off over the blade.

CAUTION: The sharp edges of blade can cut the belt. Use care in installing new belt over blade

6. To install new belt, reverse procedure as above in removal.

MAINTENANCE (CONT'D)

TO CHECK AND/TO REPLACE BELT (CONT'D)

7. Move belt snubber back in place, approximately 1/32" away from belt and tighten hex head screw (See Fig. 23).

NOTE: Always use only factory approved belt to assure proper fit and longer life.

ENGINE:

LUBRICATION

ENGINE: use of proper oil in your engine and keeping to full level is essential. Changing oil regularly will lengthen the life of your engine.

The total oil capacity of your engine is 21 oz. or 0.62 liters. Fill only to the "FULL" line on the dipstick. **DO NOT** over fill. The first fill on a new engine use about 1 pint or 0.5 liters. Check oil level and add as required to bring to proper level.

NOTE: On a new engine some oil may be left in the engine, as each engine is run for operational checks before shipping.

Use Sears SAE 10W30 oil or equivalent. SAE 30 oil can also be used. **DO NOT** use SAE 10W40 oil.

Use only oil with automotive classifications SF, SE, SD or SC markings on oil container.

Using Sears SAE 10W30 oil will assist engine starting in cool weather.

Running your engine with oil below safe level or with dirty contaminated oil can contribute to shortening the life of your engine.

After the first two (2) hours of mowing change the oil, then change the oil every 25 hours of mowing thereafter. If you mow under dusty, dirty conditions you may need to change the oil more often.

TO CHANGE OIL

CAUTION: Disconnect spark plug wire from spark plug and place wire where it cannot come in contact with the spark plug.

1. Remove engine oil cap with dipstick, lay aside on a clean surface. Warm oil drains better.
2. Tip mower on its side as shown in Fig. 29 and drain oil into suitable container. Rock mower back and forth to remove any oil trapped inside of engine.
3. Wipe off any spilled oil on mower and/or inside of engine.
4. Fill engine with oil, fill only to the "FULL" line on the dipstick. **DO NOT** over fill.
5. Reconnect spark plug wire to spark plug.

AIR FILTER

CAUTION: **DO NOT** run your engine without air filter in place

1. Your engine will not run properly with a clogged, dirty air filter.

NOTE. **DO NOT** wash this type air filter

2. Replace your air filter each year, more often if you mow in very dusty, dirty conditions

Replacement air filter no. 3332 is available at most retail stores and through the catalog

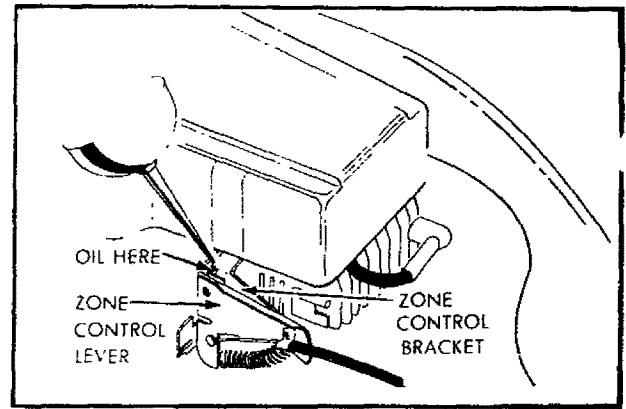


FIG. 28

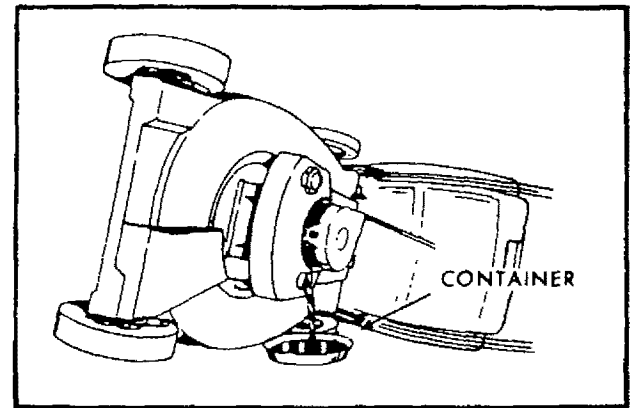


FIG. 29

TO CHANGE AIR FILTER

1. Remove the air filter cover by turning counter-clockwise to the stop, and pull away from collar (See Fig. 30).
2. Remove filter from inside of cover (See Fig. 30).
3. Clean the inside of the cover and the collar to remove any dirt accumulation.
4. Insert new filter into cover.
5. Put air filter cover and filter into collar aligning the tab with the slot.
6. Push in on cover and turn clockwise to tighten (See Fig. 30).

SPARK PLUG

Change your spark plug each year.

A new clean spark plug will make your engine start and run better. Keep your spark plug clean. Set spark plug gap at .030.

Recommended replacement Sears spark plug no. 33312 or STD361458 are available at most Sears retail stores and through the catalog.

GENERAL

DO NOT use gasoline left over from previous season. Old or stale dirty gasoline can cause starting and running problems

Replace your gasoline can, if your old can starts to rust. **DO NOT** use rusty gasoline can, rust and/or dirt in your gasoline can cause problems

STORAGE

Never store engine with gasoline in tank, indoors or in closed, poorly ventilated areas where gasoline fumes may reach an open flame, spark or pilot light as on a furnace, water heater, or clothes dryer, etc.

If your engine is not to be used for 30 days or more prepare as follows:

Drain gasoline from fuel tank; gasoline in gasoline tank and carburetor will form deposits and cause problems in starting and running your engine.

When preparing your mower for storage it is a good time to service your mower and engine to be ready for the next mowing season. Replace such parts as mower blade, spark plug and air filter.

CHANGE OIL: Warm oil drains better.

Drain old oil and replace with fresh clean Sears SAE 10W30 oil.

See "To Change Oil" section under Maintenance.

Remove spark plug and put 2 or 3 tablespoons of oil into spark plug opening and pull starter rope slowly to distribute oil, install new spark plug and tighten.

DO NOT PUT ANY ADDITIVES IN GASOLINE OR OIL.

CLEAN MOWER/ENGINE

CAUTION: Before cleaning mower, disconnect spark plug wire and place wire where it cannot come in contact with the spark plug.

Clean around engine and on top of mower. Scrape underside of mower using putty knife or similar tool to remove any build-up of trash or grass on underside of mower housing.

NOTE: We **DO NOT** recommend using a water hose to clean your mower unless the electrical system, muffler, air filter and carburetor are covered to keep water out. Water in engine can result in shortening engine life.

CHECK FASTENERS

Check all fasteners and be sure they are tight: tighten and/or replace any loose or worn fasteners.

GRASS CATCHER

Check your grass catcher often for damage or deterioration. Through normal use it will wear. If catcher needs replacing, replace only with a manufacturer approved replacement catcher from Sears. Give the mower model when ordering.

NOTE: The catcher may be hosed with water, but must be dry when used.

REPLACE BLADE

See "Blade Care" section under Maintenance. To get the best cutting results we recommend that you replace your blade with a Sears original equipment blade each year. Replacement blade is available at most Sears stores and through the catalog. Be sure to give your mower model number when ordering blade.

We **DO NOT** recommend sharpening blade - you can keep the cutting edge touched up with a file. Grinding the cutting edge excessively can cause the blade to be out of balance. An unbalanced blade can cause excessive vibration and shorten the life of the engine and mower.

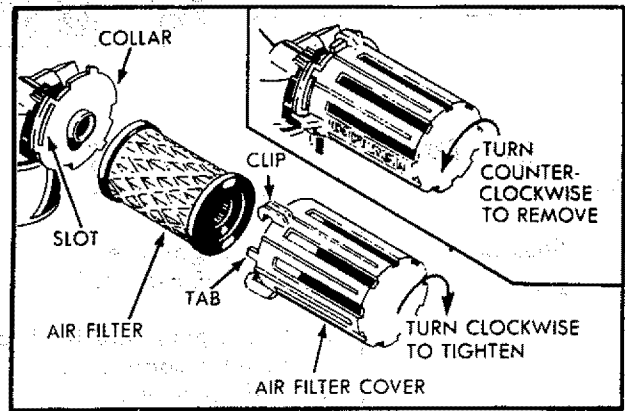


FIG. 30

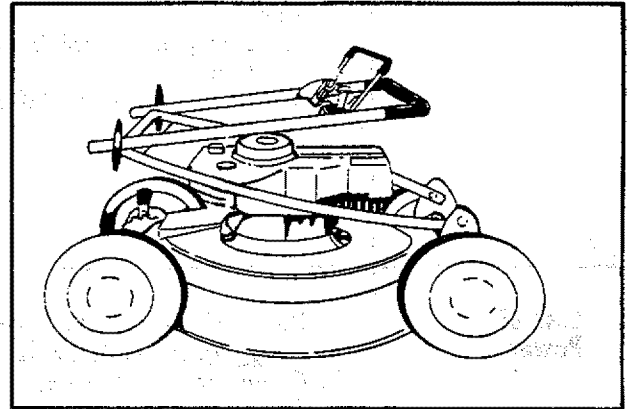


FIG. 31

GENERAL

Always store your mower on its wheels. Storing mower on its side or end may result in difficult starting.

When removing your mower from storage, fill gasoline tank with fresh, clean, unleaded, automotive gasoline. Check and fill oil to proper level.

When starting your engine the first time after being in storage for extended period, the engine may smoke for a while until the engine burns any oil or gasoline accumulated during the storage period.

DO NOT store gasoline from one season to another. Use up or dispose of any unused gasoline left from the mowing season.

Replace your gasoline can if your can starts to rust. **DO NOT** use rusty gasoline can. Rust and/or dirt in your gasoline can cause problems.

DO NOT store your mower under any plastic cover, plastic cannot breathe which promotes condensation and can cause your mower to rust.

HANDLE

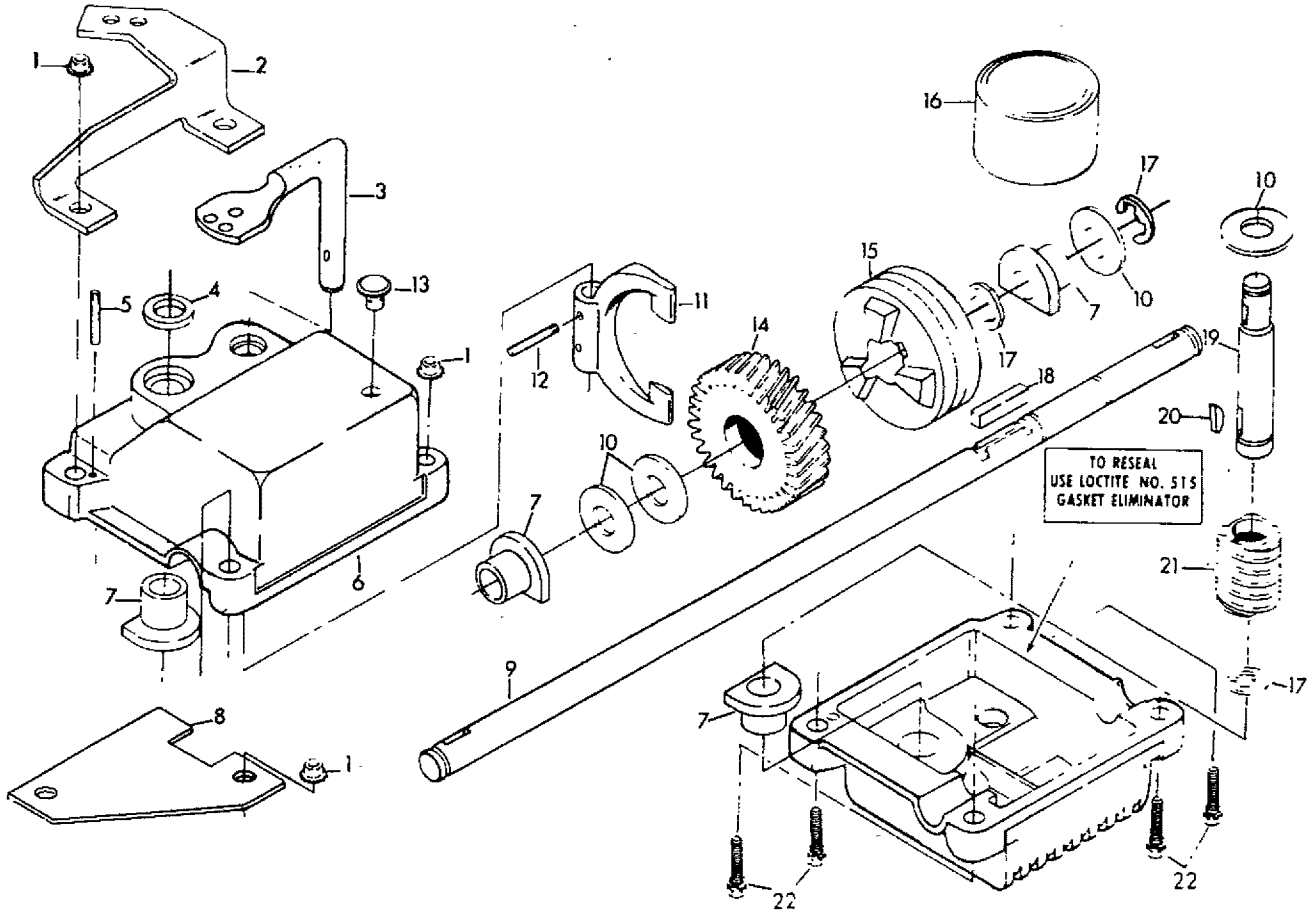
You can fold your mower handle for storage (See Fig. 31).

When setting-up your handle from storage position the lower handle will automatically lock into mowing position.

TROUBLE SHOOTING POINTS

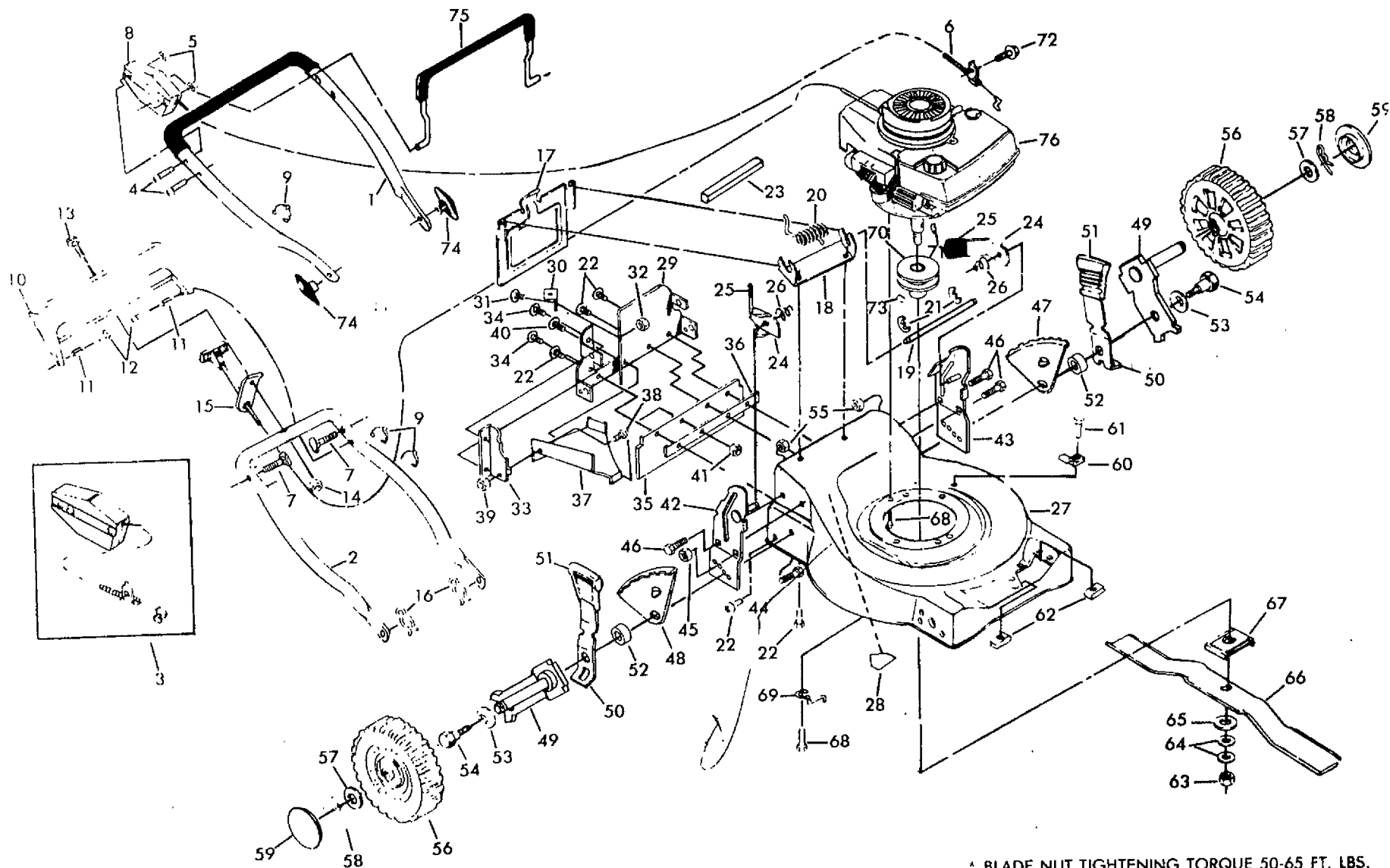
PROBLEM	CAUSE	CORRECTION
Does not start	<ol style="list-style-type: none"> 1. Out of gasoline. 2. "Stale Gasoline." 3. Spark plug wire is disconnected from the spark plug. 4. Bad spark plug. 5. Water in gasoline. 6. Loose blade or broken blade flange. 7. Zone/Engine control in released position. 8. Zone/Engine control defective. 	<ol style="list-style-type: none"> 1. Fill gasoline tank. 2. Drain gas tank and refill with fresh gasoline. 3. Connect wire to spark plug. 4. Replace spark plug. 5. Drain tank and refill with fresh, clean gasoline. 6. Tighten blade nut and/or replace blade flange. 7. Depress control bar. 8. Replace Zone/Engine control.
Loss of Power	<ol style="list-style-type: none"> 1. Rear of mower housing/blade dragging in heavy grass. 2. Cutting too much grass. 3. Dirty air filter. 4. Build-up of grass, leaves, and trash. 	<ol style="list-style-type: none"> 1. Raise rear of mower housing one (1) setting. 2. Set in "Higher Cut" position. 3. Replace air filter. 4. Disconnect spark plug wire and clean underside of mower housing.
Poor cut-Uneven	<ol style="list-style-type: none"> 1. Worn or bent blade. 2. Wheel heights uneven. 	<ol style="list-style-type: none"> 1. Replace blade. 2. Set all wheels at same height.
Too much Vibration	<ol style="list-style-type: none"> 1. Worn or bent blade. 2. Loose blade. 	<ol style="list-style-type: none"> 1. Replace blade. 2. Tighten blade nut.
Starter Rope Hard to Pull	<ol style="list-style-type: none"> 1. Flywheel brake is on when control bar is released. 	<ol style="list-style-type: none"> 1. Depress control bar, before pulling on starter rope.
Catcher not Filling Completely	<ol style="list-style-type: none"> 1. Cutting height too low. 2. Lift on blade worn off. 3. Catcher bag dirty, poor air venting. 	<ol style="list-style-type: none"> 1. Raise cutting height. 2. Replace blade. 3. Clean/replace catcher bag.

GEAR CASE ASSEMBLY PART NO. 86617



Ref. No.	Part No.	Part Name	Ref. No.	Part No.	Part Name
1	53838	Locknut 1/4-20	13	86447	Plug
2	85178	Adjusting Bracket	14	83659	Helical Gear
3	86613	Shifter Assembly	15	75424	Jaw Clutch
4	57072	Seal	16	58354	Grease (1 lb. can - Shell Darina AX)
5	57388	Driv-Lok Pin 1/8 x 1/2	17	STD581050	E-Ring 1/2 Shaft
6	48032	Gear Case Halves (Incl. Upper & Lower Halves) (Incl. Ref. # 4,7)	18	83684	Square Key
7	77881	Bearing	19	83720	Worm Shaft
8	77039	Spring Bracket	20	65692	Woodruff Key #3
9	79946	Drive Shaft Kit	21	83680	Worm
10	57079	Thrust Washer	22	STD522512	Hex Head Machine Screw 1 4-20 x 1 1 4
11	75144	Yoke Clutch			
12	53912	Driv-Lok Pin 1 8 x 5 8			

18

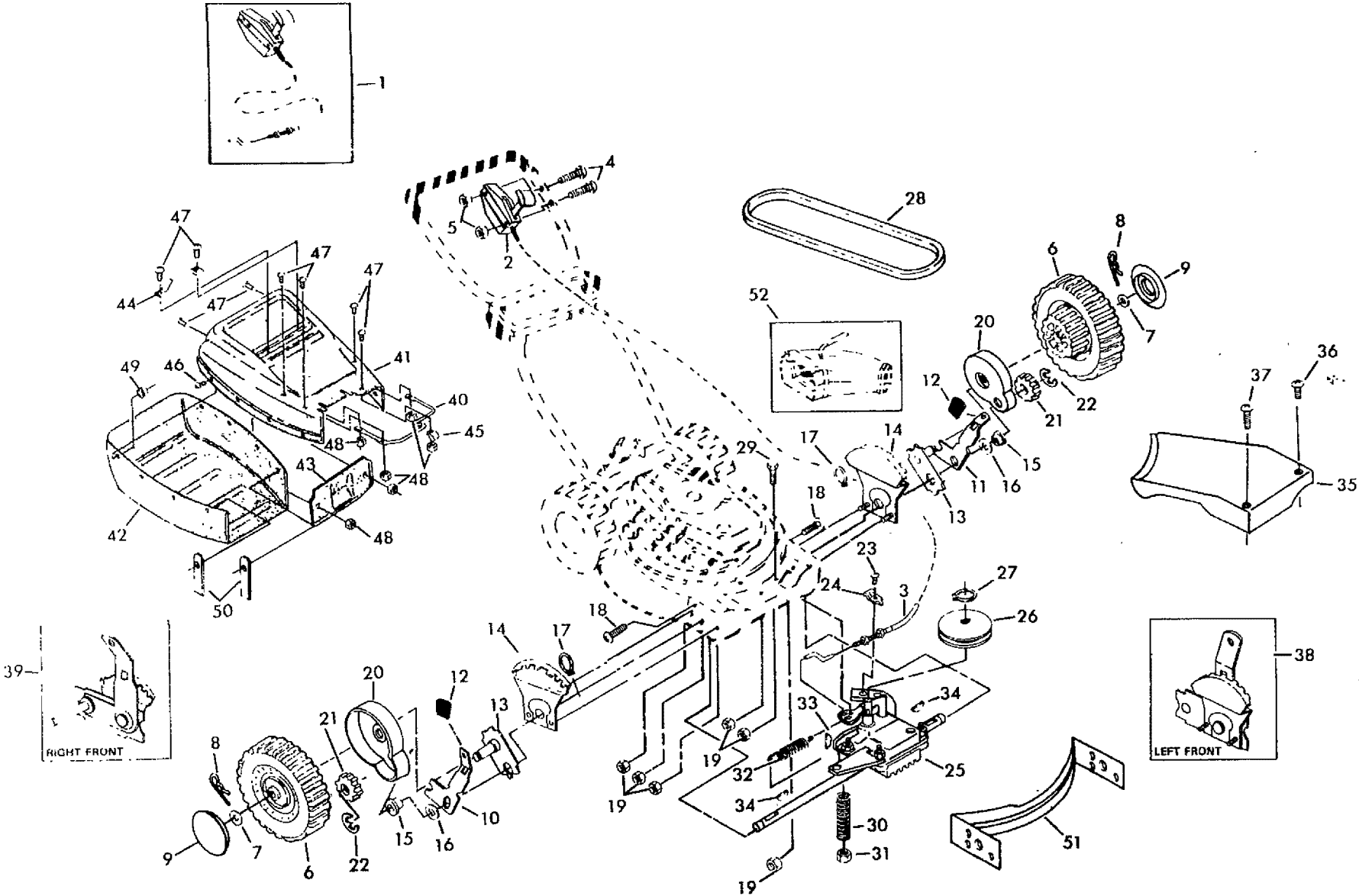


* BLADE NUT TIGHTENING TORQUE 50-65 FT. LBS.

Ref. No.	Part No.	Part Name	Ref. No.	Part No.	Part Name
1	85755	Upper Handle	23	83935	Door Seal
2	84683	Lower Handle	24	81281	Handle Lever
3	86993	Zone Engine Control	25	85535	Handle Knob
4	87269	Machine Screw 1/4-20 x 2 3/16	26	62363	Spring Lever
5	53490	Locknut 1/4-20	27	79997	Housing Assembly (Incl. Ref #22, 28, 29, 30, 31, 32, 33, 34)
6	48053	Zone Control Cable Kit	28	85463	Danger Decal
7	58714	Handle Bolt	29	85374	Back Plate
8	48052	Zone Control Head Kit	30	85371	Back Plate Bracket
9	85827	Control Cable Clip	31	STD512505	Hex Head Machine Screw 1/4-20 x 1/2
10	85424	Trim Plate	32	63601	Locknut 1/4-20
11	85529	Nylon Bushing	33	77514	Side Baffle
12	85825	Self-Tapping Screw 10-24 x 1	34	81283	Hex Self-Tapping Screw 10-24 x 3/8
13	85436	Hex Washer Head Machine Screw 1/4-20 x 1 1/2	35	87267	Rear Skirt
14	53490	Locknut 1/4-20	36	85546	Backing Strip
15	34372A	Bracket Rope Guide (See Engine Parts List) (Source 143)	37	85354	Discharge Baffle
16	51793	Hairpin Cotter	38	86779	Hex Head Machine Screw 1/4-20 x 3/4
17	77524	Rear Door	39	63601	Locknut 1/4-20
18	81027	Hinge Bracket	40	STD511005	Truss Head Screw 10-24 x 1/2
19	77526	Hinge Rod			
20	77527	Spring			
21	STD581025	E-Ring			
22	STD512505	Hex Head Tapping Screw 1/4-20 x 1/2			

Ref. No.	Part No.	Part Name	Ref. No.	Part No.	Part Name
41	69180	Locknut 10-24	65	69385	Washer
42	86915	Handle Bracket Assembly (Right)	66	69334	Blade
43	86914	Handle Bracket Assembly (Left)	67	84918	Blade Flange
44	STD533107	Carriage Bolt 5/16-18 x 5/8	68	68205	Hex Head Machine Screw 5/16-18 x 7/8 (Special)
45	63124	Locknut 5/16-18	69	83629	Belt Snubber
46	55187	Thread Cutting Screw 5/16 18 x 3/4	70	85543	Engine Pulley
47	86931	Wheel Adjusting Bracket (L.R.)	71	STD580019	Woodruff Key #6
48	86933	Wheel Adjusting Bracket (R.R.)	72	83813	Hex Head Screw 10-32 x 5/16
49	87121	Axle Arm Assembly	73	STD502502	Set Screw 1/4-20 x 5/16
50	86929	Selector Spring	74	63688	Handle Knob
51	77865	Selector Knob	75	86814	Control Bar w/grip
52	84920	Spacer	76	86844	Engine Assembly 143.374132 (See Page 24 thru 26)
53	62335	Spring Washer		87000	Owners Manual - Parts List
54	84921	Shoulder Bolt			High Wheel Kit (Not Included)
55	74400	Locknut 3/8-16			See Model Z1 33721
56	86870	Wheel & Tire Assembly			Leaf Catcher (Not Included w/mower) Z1 33411
57	52160	Washer			
58	55015	Retainer Clip			
59	86918	Hub Cap (Rear)			
60	70385	Cable Clip			
61	81276	Self-Tapping Screw 10-24 x 1/2			
62	75449	Speed Nut 10-24			
63	51433	* Locknut 5/8-18 (Special)			
64	54867	Washer - Spring			

22

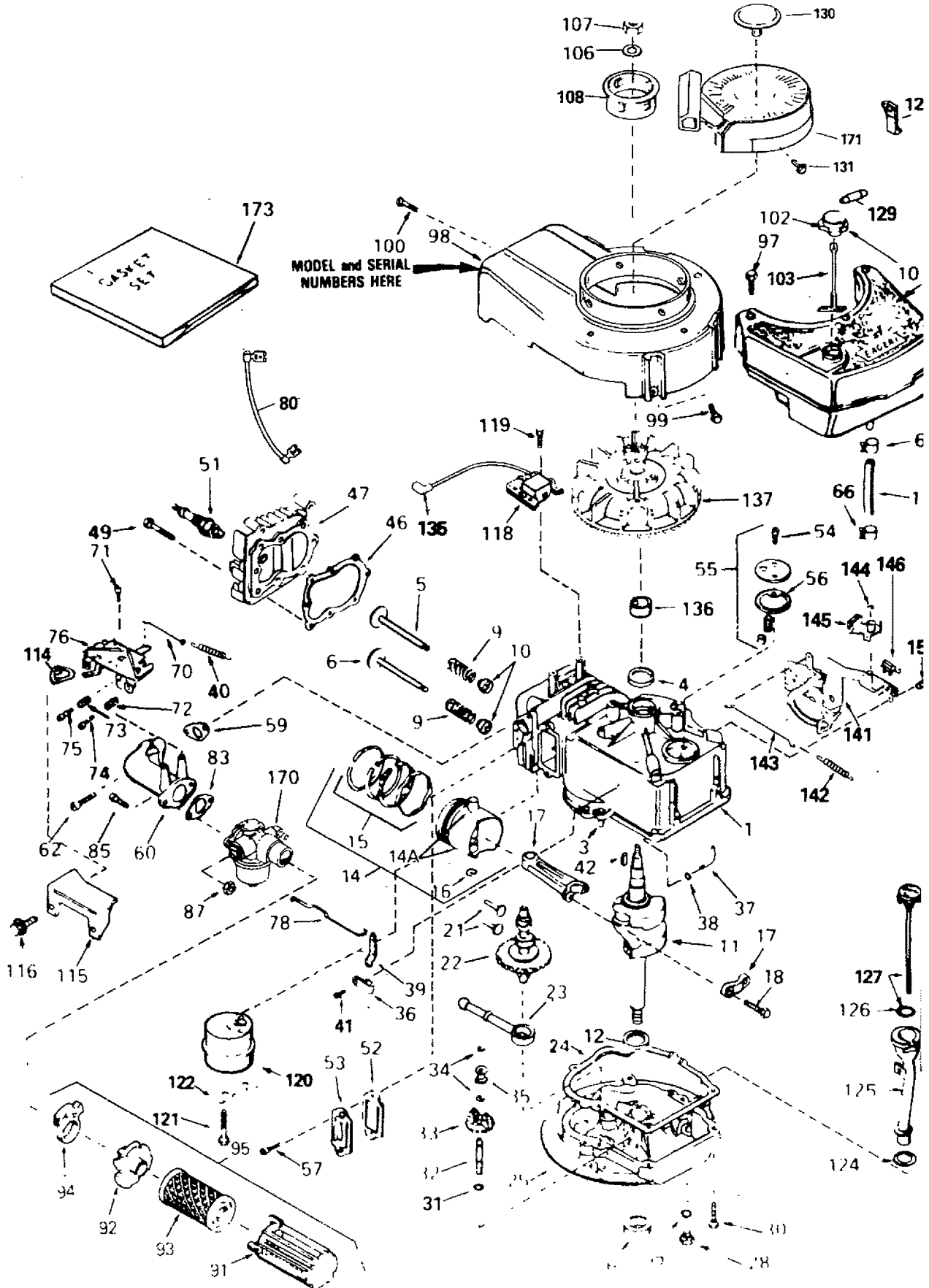


Ref. No.	Part No.	Part Name	Ref. No.	Part No.	Part Name
1	86992	Drive Control (Incl. Ref #2,3)	32	75192	Spring
2	48056	Drive Head Kit	33	STD580009	Woodruff Key #213
3	48057	Drive Control Cable Kit	34	STD580014	Woodruff Key #3
4	87269	Machine Screw 1/4-20 x 2 1/8	35	83590	Drive Cover
5	53490	Locknut 1/4-20	36	69411	Pan Head Machine Screw 10-24 x 1 3/4
6	86955	Wheel & Tire Assembly	37	75725	Pan Head Machine Screw 10-24 x 2 3/4
7	52160	Washer	38	48054	Wheel Adjuster Assembly (Left) (Incl. Ref # 11, 13, 14, 15, 16, 17)
8	55015	Retainer Clip	39	48055	Wheel Adjuster Assembly (Right) (Incl. Ref # 10, 13, 14, 15, 16, 17)
9	86917	Hub Cap (Front)	40	84806	Catcher Frame
10	86939	Selector Spring (R.F.)	41	87251	Catcher Top
11	86937	Selector Spring (L.F.)	42	84164	Catcher Bottom
12	77865	Selector Knob	43	83548	Catcher Baffle
13	86946	Axle Arm Assembly	44	86968	Catcher Handle
14	86941	Wheel Adjusting Bracket	45	83553	Clamp
15	86273	Spacer Bearing	46	86988	Truss Head Machine Screw 1/4-20 x 3/4
16	86274	Spring - Washer	47	83555	Truss Head Machine Screw 10-24 x 5/8
17	STD582087	Retaining Ring	48	69180	Locknut 10-24
18	61528	Flat Head Machine Screw 1/4-20 x 3/4	49	53838	Keps Nut 1/4-20
19	63601	Locknut 1/4-20	50	86963	Stifferner
20	76401	Dust Cover	51	85283	Front Baffle
21	74507	Pinion	52	85878	Clipping Deflector Accessory (Not Included W/Mower)
22	STD581050	E-Ring			Grass Catcher Complete
23	STD631003	Self-Tapping Screw 10 24 x 3/8			71 33463
24	83700	Cable Clamp			
25	48031	Gear Case Replacement Kit			
26	83681	Drive Pulley			
27	74976	Retaining Ring			
28	83691	V-Belt			
29	54338	Hex Head Bolt 1/4-20 x 2 3/4			
30	83632	Spring			
31	68038	Locknut 1/4-20			

CRAFTSMAN 4-CYCLE ENGINE

EAGER-1

MODEL NUMBER: 143.3741



CRAFTSMAN 4-CYCLE ENGINE

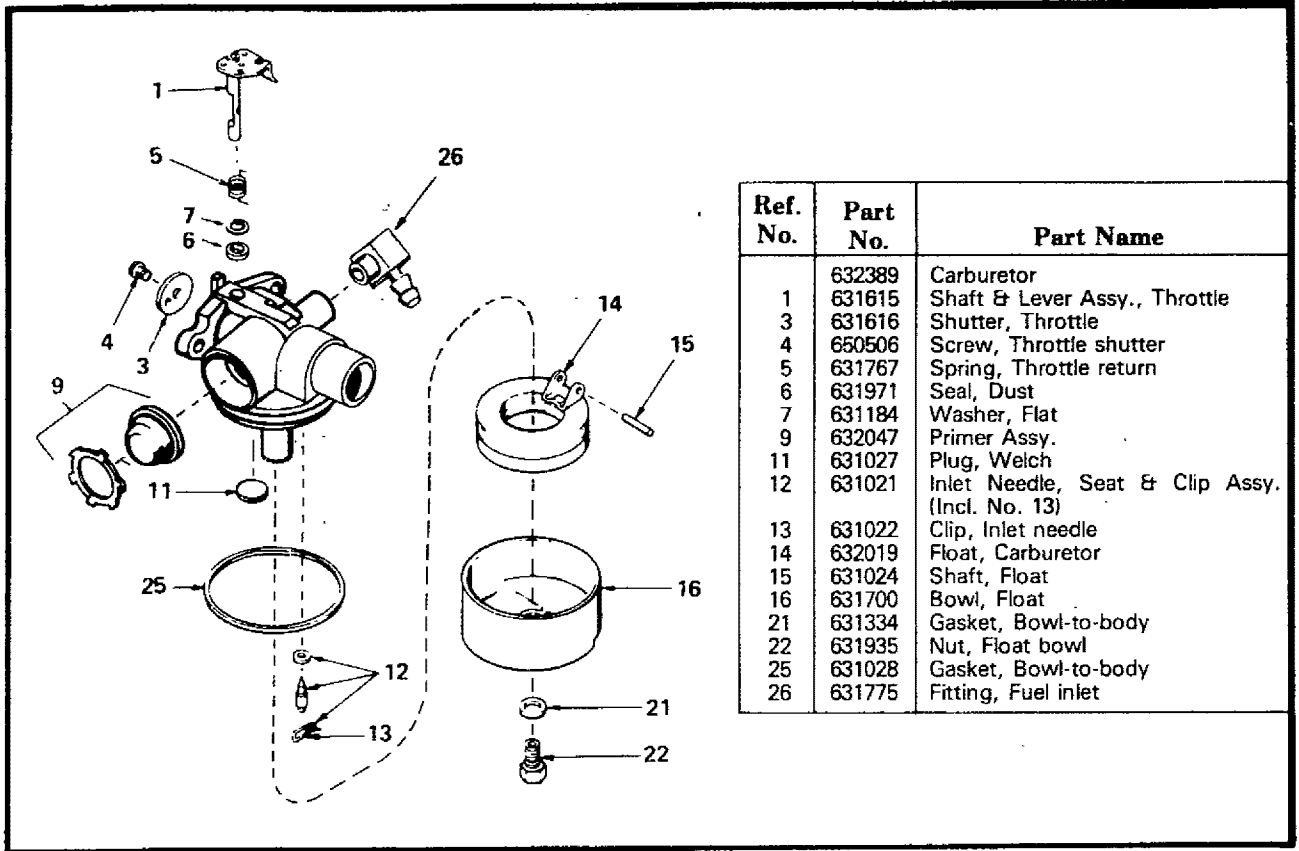
EAGER-1

MODEL NUMBER: 143.374132

Ref. No.	Part No.	Part Name	Ref. No.	Part No.	Part Name
1	35180	Cylinder Assy. (Incl. Nos. 3 & 4)	71	30200	Screw, Hex washer hd. Sems, self-tapping, 10-24 x 9/16
3	26727	Pin, Dowel	72	33802	Spring, Compression
4	32600	Seal, Oil	73	31342	Spring, Compression
5	29314B	Valve, Intake (Std.) (Incl. No. 10)	74	650777	Screw, Fil. hd., 6-32 x 17/32
5	29315C	Valve, Intake (1/32" oversize) (Incl. No. 10)	75	650549	Screw, Fil. hd., 5-40 x 7/16
6	29313C	Valve, Exhaust (Std.) (Incl. No. 10)	76	33205A	Control Assy., Speed (Incl. Nos. 72, 73, 74 & 75)
6	29315C	Valve, Exhaust (1/32" oversize) (Incl. No. 10)	78	34336	Link, Governor-to-throttle
9	31672	Spring, Valve	80	34961	Wire, Ground
10	31673	Cap, Lower valve spring	83	*26756	Gasket, Carburetor
11	35175	Crankshaft	85	6201	Screw, Hex hd., 1-4-28 x 7/8
12	32323	Washer, Thrust	87	29752	Nut & Lockwasher, 1/4-28
14	34851	Piston, Pin & Ring Assy. (Std.) (Incl. Nos. 14A, 15 & 16)	91	35065	Cover, Air cleaner
14	34852	Piston, Pin & Ring Assy. (.010 oversize) (Incl. Nos. 14A, 15 & 16)	92	35067	Collar, Air cleaner
14	34853	Piston, Pin & Ring Assy. (.020 oversize) (Incl. Nos. 14A, 15 & 16)	93	35066	Filter, Air cleaner
14A	32603B	Piston & Pin Assy. (Std.) (Incl. No. 16)	94	35068	Clamp, Air cleaner
14A	32604B	Piston & Pin Assy. (.010 oversize) (Incl. No. 16)	95	3331	Air Cleaner Kit (Incl. Nos. 91 thru 94)
14A	32605B	Piston & Pin Assy. (.020 oversize) (Incl. No. 16)	97	28763	Screw, Hex washer hd. shake-proof, 10-32 x 19-32
15	34854	Ring Set, Piston (Std.)	98	35393	Housing, Blower
15	34855	Ring Set, Piston (.010 oversize)	99	650831	Screw, Hex washer hd. Powerlok thread, 1-4-20 x 1-2
15	34856	Ring Set, Piston (.020 oversize)	100	30200	Screw, Hex washer hd. Sems, self-tapping, 10-24 x 9-16
16	20381	Ring, Piston pin retaining	101	34368A	Tank Assy., Fuel (Incl. No. 102)
17	30963B	Rod Assy., Connecting (Incl. No. 18)	102	35355	Cap, Fuel tank
18	32610A	Screw, Connecting rod	103	35480	Retainer, Fuel cap
21	27241	Lifter, Valve	106	650815	Washer, Belleville
22	33553	Camshaft (Mech. Compression Release)	107	650816	Nut, Flywheel
23	29914	Pump Assy., Oil	108	35000	Hub, Starter
24	*35261	Gasket, Mounting flange	110	30705	Line, Fuel
25	34311B	Flange Assy., Mounting (Incl. Nos. 26, 27, 28 & 32)	114	32410	Knob, Control
26	27897	Seal, Oil	115	35176	Cover, Control
27	*28833	Gasket, Oil drain plug	116	650807	Screw, Hex washer hd. shoulder, 10-32 x 7-16
28	30572	Plug, Oil drain	118	34443A	Solid State Assy.
30	650488	Screw, Hex hd. Sems, 1/4-20 x 1-1/4	119	650814	Screw, Hex hd. Sems, 10-24 x 1
31	30590A	Washer, Flat	120	35172	Muffler
32	30574	Shaft, Mechanical governor	121	650869	Screw, Hex hd., 1-4-20 x 2-3/4
33	30591	Gear Assy., Governor (Incl. No. 31)	122	35171	Plate, Lock
34	29193	Ring, Retaining	123	650562	Screw, Hex washer hd. shake-proof, 10-32 x 1-2
35	30588A	Spool, Governor	124	34265	Gasket, Fill tube
36	31335	Clamp, Governor lever	125	34264	Tube Assy., Oil filler
37	30589	Rod, Governor (Incl. No. 38)	126	33590	O' Ring
38	28277	Washer, Flat	127	34267	Dipstick, Oil (Incl. No. 126)
39	31383A	Lever, Governor	128	35168	Bracket Assy., Rope guide
40	31361	Spring, Governor	129	34985	Retainer, Starter rope
41	650548	Screw, Hex washer hd., 8-32 x 5/16	130	35392	Plug, Starter
42	611004	Key, Flywheel (Solid State)	131	650884	Screw, Hex washer hd., 8-32 x 1-2
46	*33015	Gasket, Cylinder head	135	610118	Cover, Spark plug
47	34342	Head, Cylinder	136	34080	Spacer, Flywheel key
49	6021A	Screw, Hex flange hd., 5/16-18 x 1-1/2	137	611046A	Flywheel
51	35395	Resistor Spark Plug (Champion RJ-19LM or equivalent)	141	35015A	Bracket Assy. Brake
52	*27234	Gasket, Valve spring cover	142	34965	Spring, Extension
53	32755	Cover, Valve spring box	143	34966	Link, Control
54	30200	Screw, Hex washer hd. Sems, self-tapping, 10-24 x 9-16	144	32309	Ring, Retaining
55	34215	Breather Assy. (Incl. Nos. 54 & 56)	145	34968	Lever, Brake
56	*32760	Gasket, Breather	146	610973	Terminal Assy.
57	650128	Screw, Fil. hd. Sems, 10-24 x 1-2	157	650839	Screw, Hex hd. self-tap Sems, 1-4-20 x 7-16
59	*34690	Gasket, Intake pipe	170	632389	Carburetor, Inc. No. 83
60	31384A	Pipe, Intake (Incl. No. 59)	171	59062	Starter Assy. Rewind
62	650451	Screw, Hex hd. Sems, 1-4-20 x 1	173	33236B	Gasket, Set, inc. Sems marked *
66	26460	Clamp, Fuel line			
70	34337	Link, Governor spring			

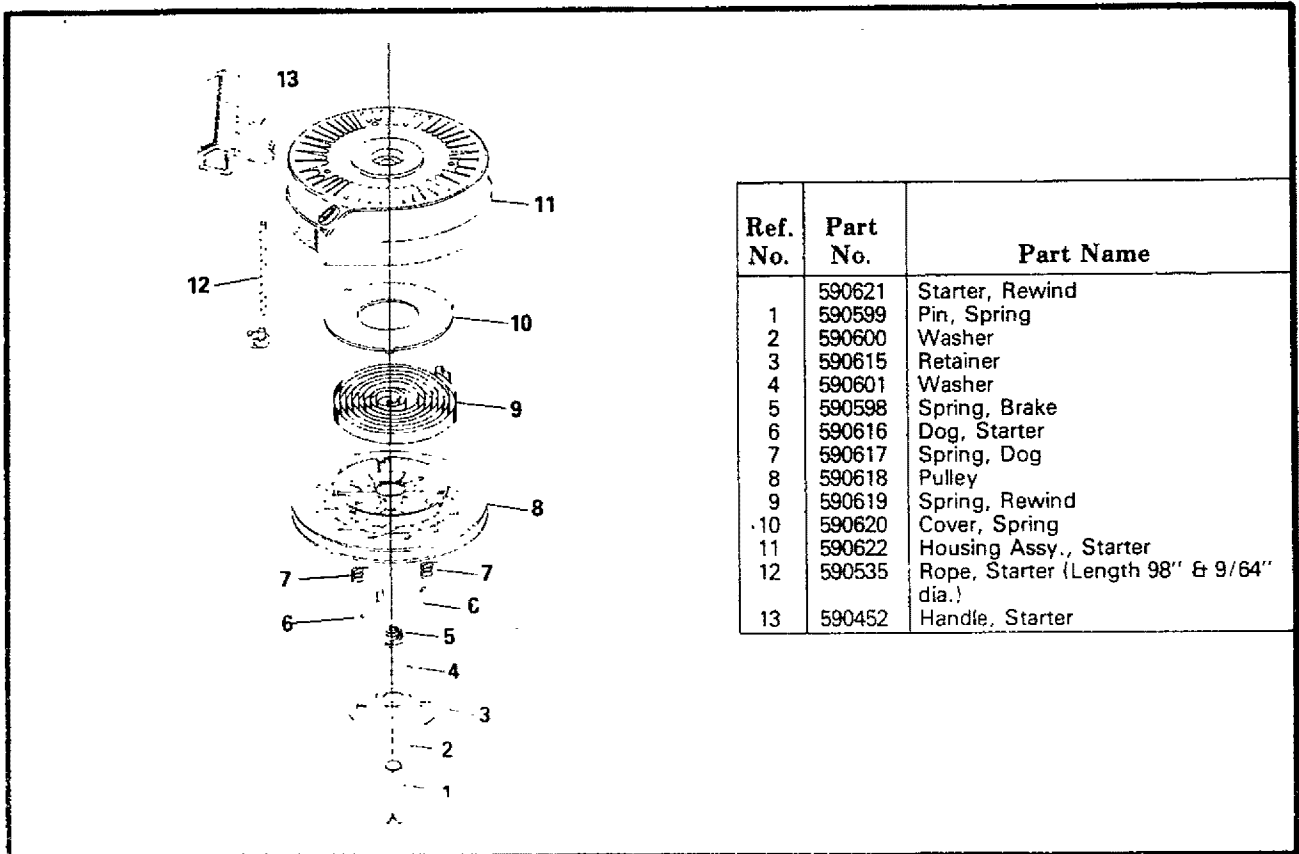
* Indicates Parts included in Gasket Set, Ref. No. 173

CARBURETOR NO. 632389



Ref. No.	Part No.	Part Name
	632389	Carburetor
1	631615	Shaft & Lever Assy., Throttle
3	631616	Shutter, Throttle
4	650506	Screw, Throttle shutter
5	631767	Spring, Throttle return
6	631971	Seal, Dust
7	631184	Washer, Flat
9	632047	Primer Assy.
11	631027	Plug, Welch
12	631021	Inlet Needle, Seat & Clip Assy. (Incl. No. 13)
13	631022	Clip, Inlet needle
14	632019	Float, Carburetor
15	631024	Shaft, Float
16	631700	Bowl, Float
21	631334	Gasket, Bowl-to-body
22	631935	Nut, Float bowl
25	631028	Gasket, Bowl-to-body
26	631775	Fitting, Fuel inlet

REWIND STARTER NO. 590621



Ref. No.	Part No.	Part Name
	590621	Starter, Rewind
1	590599	Pin, Spring
2	590600	Washer
3	590615	Retainer
4	590601	Washer
5	590598	Spring, Brake
6	590616	Dog, Starter
7	590617	Spring, Dog
8	590618	Pulley
9	590619	Spring, Rewind
10	590620	Cover, Spring
11	590622	Housing Assy., Starter
12	590535	Rope, Starter (Length 98" & 9/64" dia.)
13	590452	Handle, Starter

LAWN MOWER CARE RECORD

NOTE: Change Engine Oil after the first two (2) hours of use, and then every 25 hours of use.

	DATE	DATE	DATE
Changed Oil 10W30 or SAE 30			
Replaced spark plug:			
Replaced air filter:			
Replaced blade:			
Tuned-up:			

SEARS SERVICE is at YOUR SERVICE

HOW TO ORDER REPAIR PARTS

Each LAWN MOWER has its own MODEL NUMBER. Each ENGINE has its own MODEL NUMBER.

The MODEL NUMBER for the lawn mower will be found on a plate attached to your lawn mower at the REAR OF THE HOUSING.

The MODEL NUMBER for the engine will be found on the BLOWER HOUSING of the engine adjacent to the spark plug.

Always mention these MODEL NUMBERS when requesting service or repair parts for your LAWN MOWER.

All parts listed herein may be ordered through SEARS, ROEBUCK AND CO. SERVICE CENTERS and most Retail Stores.

If parts you need are not stocked locally your order will be electronically transmitted to a SEARS PARTS DISTRIBUTION CENTER for expedited handling.

**OWNER'S
MANUAL**

**MODEL NO.
917.372330**

Serial
Number _____
Model and Serial Number
may be found on the number
plate on the rear of the mower
housing.

You should record both Model
and Serial Number and keep
in a safe place for future
reference.

WHEN ORDERING REPAIR PARTS, ALWAYS GIVE
FOLLOWING INFORMATION:

1. The PART NUMBER
2. The PART DESCRIPTION
3. The MODEL NUMBER - 917.372330
4. The NAME OF THE PRODUCT - CRAFTSMAN
POWER-PROPELLED REAR BAGGER LAWN MOWER
5. The ENGINE MODEL NUMBER - 143.374132

Your Sears merchandise has added value when you consider that Sears has service units nationwide staffed with Sears trained technicians...professional technicians specifically trained in Sears products, having the parts, tools and the equipment to insure that we meet our pledge to you, we service what we

SOLD BY SEARS, ROEBUCK AND CO., CHICAGO, IL 60684 U.S.A