

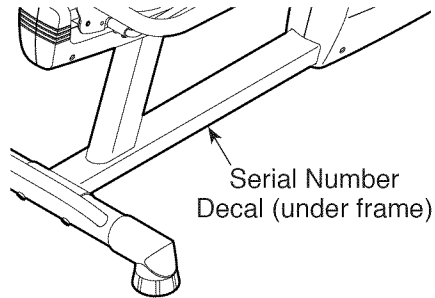
PRO-FORM[®]

XP440 R

Model No. 831.21952.3

Serial No. _____

Write the serial number in the space above for reference.



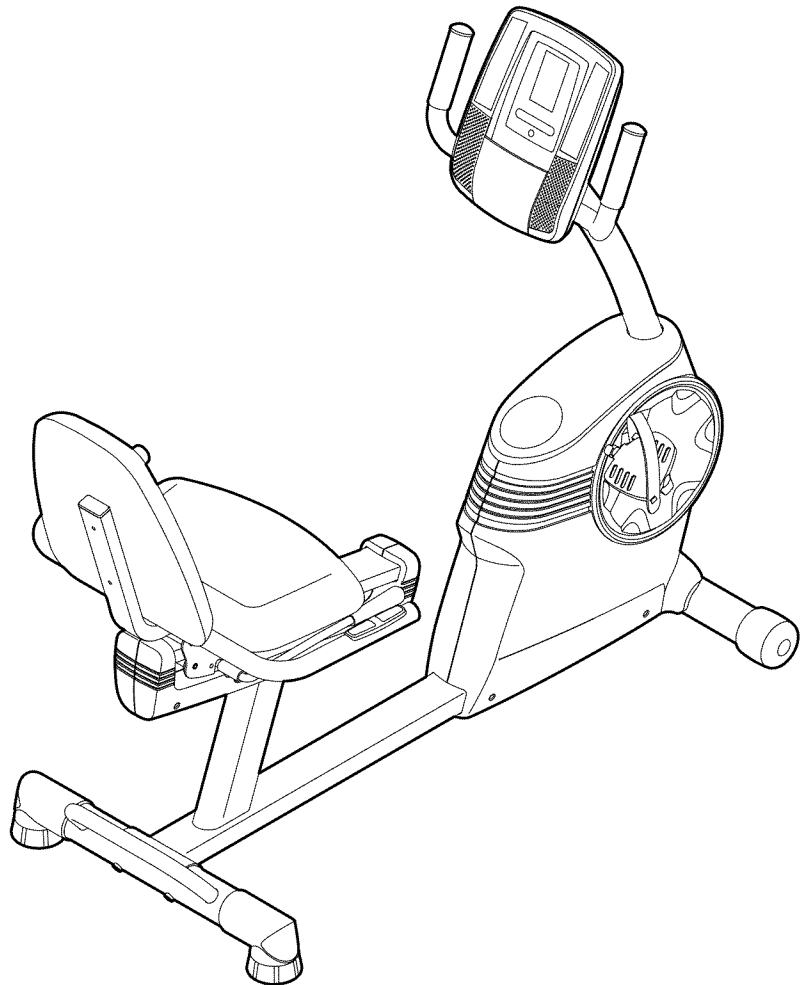
- Assembly
- Operation
- Maintenance
- Part List and Drawing

Sears, Roebuck and Co.
Hoffman Estates, IL 60179

CAUTION

Read all precautions and instructions in this manual before using this equipment. Keep this manual for future reference.

BIKE EXERCISER User's Manual



FREE

  HOW-TO VIDEOS

www.iFit.com

TABLE OF CONTENTS

WARNING DECAL PLACEMENT 2

IMPORTANT PRECAUTIONS..... 3

BEFORE YOU BEGIN..... 4

PART IDENTIFICATION CHART..... 5

ASSEMBLY..... 6

HOW TO USE THE EXERCISE BIKE..... 12

MAINTENANCE AND TROUBLESHOOTING 18

FCC INFORMATION..... 19

EXERCISE GUIDELINES..... 20

PART LIST..... 21

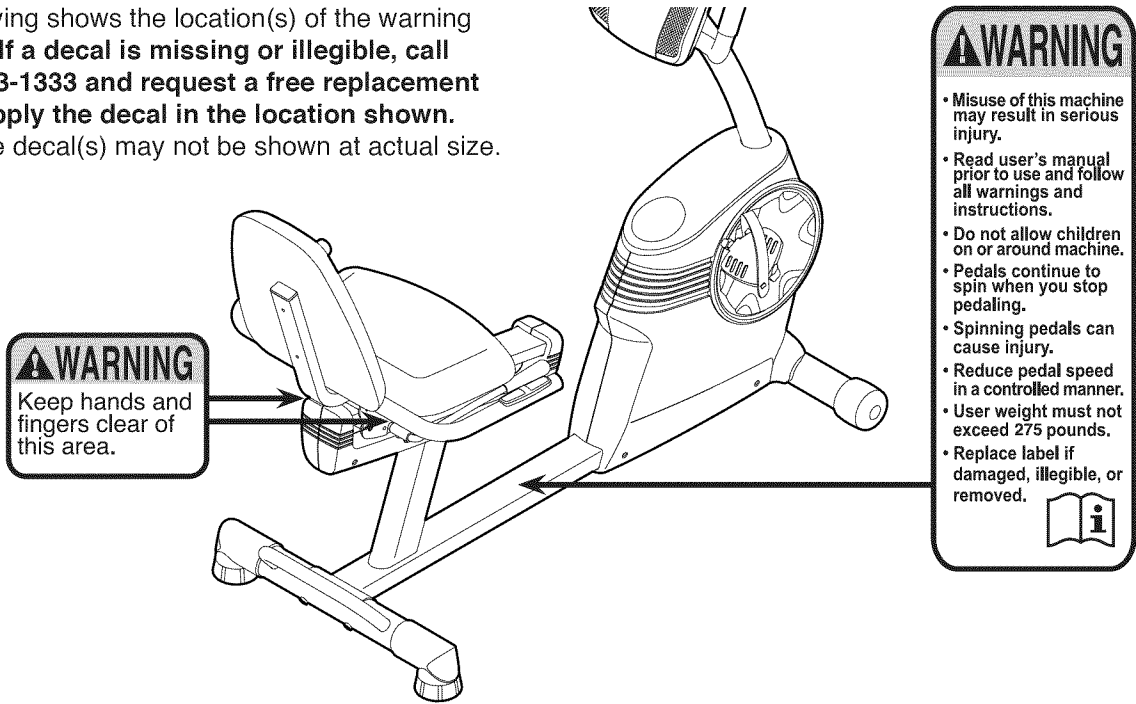
EXPLODED DRAWING..... 22

HOW TO ORDER REPLACEMENT PARTS..... Back Cover

90 DAY FULL WARRANTY..... Back Cover

WARNING DECAL PLACEMENT

This drawing shows the location(s) of the warning decal(s). **If a decal is missing or illegible, call 1-888-533-1333 and request a free replacement decal. Apply the decal in the location shown.**
 Note: The decal(s) may not be shown at actual size.



IMPORTANT PRECAUTIONS

⚠️ WARNING: To reduce the risk of serious injury, read all important precautions and instructions in this manual and all warnings on your exercise bike before using your exercise bike. Sears assumes no responsibility for personal injury or property damage sustained by or through the use of this product.

1. Before beginning any exercise program, consult your physician. This is especially important for persons over age 35 or persons with pre-existing health problems.
2. Use the exercise bike only as described in this manual.
3. It is the responsibility of the owner to ensure that all users of the exercise bike are adequately informed of all precautions.
4. The exercise bike is intended for home use only. Do not use the exercise bike in a commercial, rental, or institutional setting.
5. Keep the exercise bike indoors, away from moisture and dust. Do not put the exercise bike in a garage or covered patio, or near water.
6. Place the exercise bike on a level surface, with a mat beneath it to protect the floor or carpet. Make sure that there is at least 2 ft. (0.6 m) of clearance around the exercise bike.
7. Inspect and properly tighten all parts regularly. Replace any worn parts immediately.
8. Keep children under age 12 and pets away from the exercise bike at all times.
9. Wear appropriate clothes while exercising; do not wear loose clothes that could become caught on the exercise bike. Always wear athletic shoes for foot protection.
10. The heart rate monitor is not a medical device. Various factors may affect the accuracy of heart rate readings. The heart rate monitor is intended only as an exercise aid in general.
11. The exercise bike should not be used by persons weighing more than 275 lbs. (125 kg).
12. Always keep your back straight while using the exercise bike; do not arch your back.
13. The exercise bike does not have a freewheel; the pedals will continue to move until the flywheel stops. Reduce your pedaling speed in a controlled way.
14. Over exercising may result in serious injury or death. If you feel faint or if you experience pain while exercising, stop immediately and cool down.

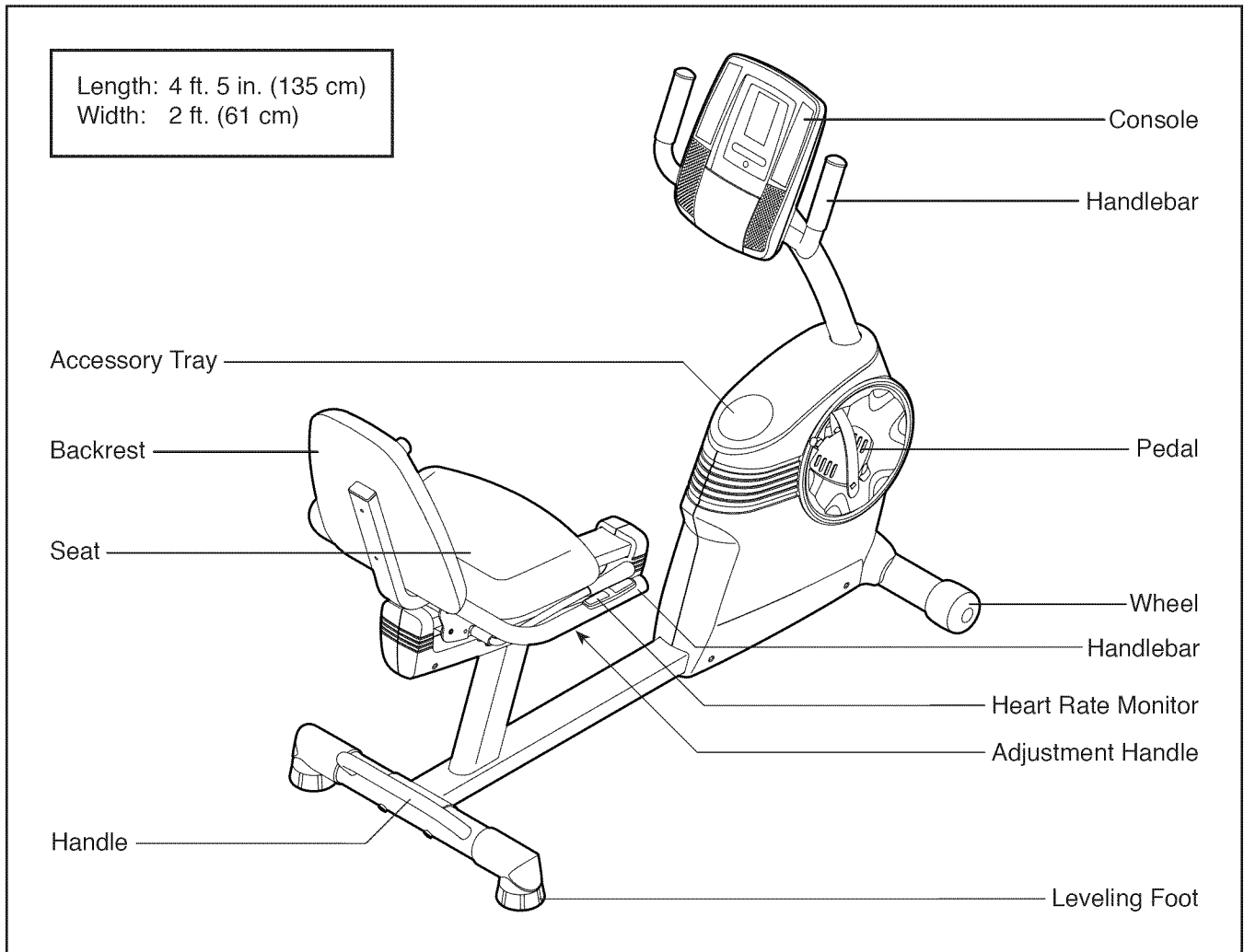
BEFORE YOU BEGIN

Thank you for selecting the new PROFORM XP™ 440 R exercise bike. Cycling is an effective exercise for increasing cardiovascular fitness, building endurance, and toning the body. The 440 R exercise bike provides a selection of features designed to make your workouts at home more effective and enjoyable.

For your benefit, read this manual carefully before you use the exercise bike. If you have questions after

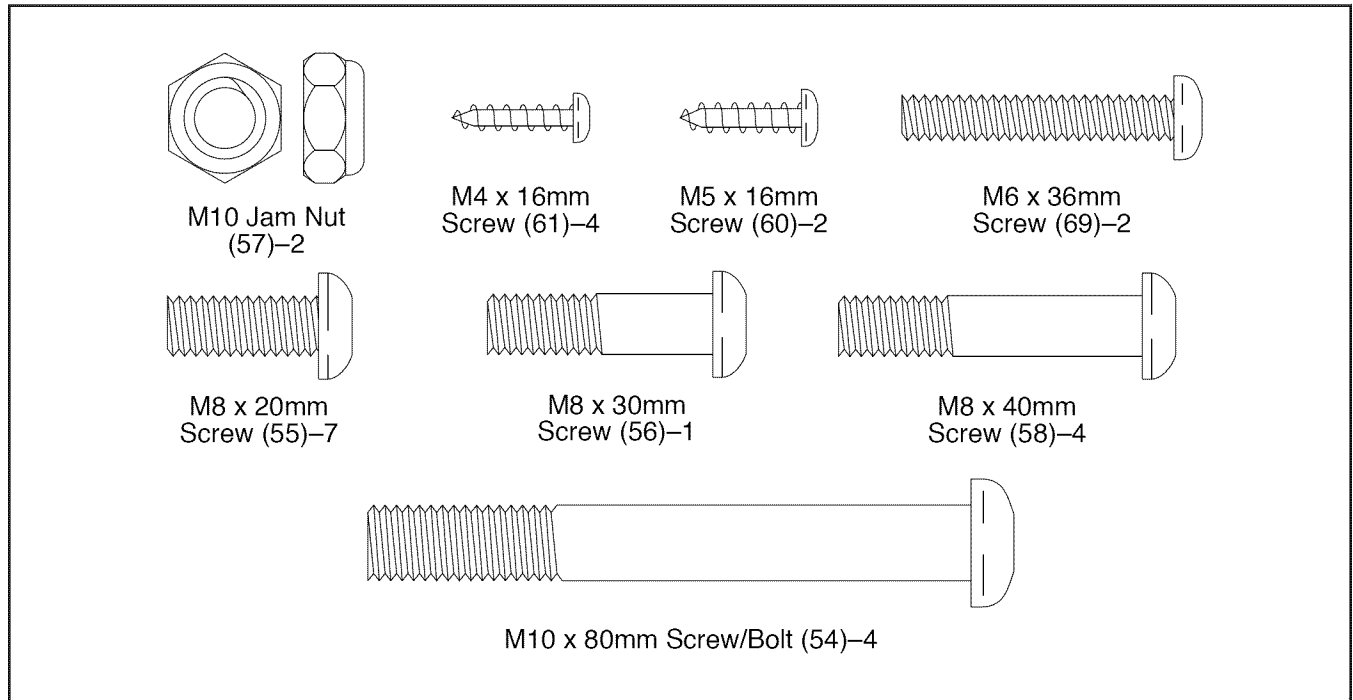
reading this manual, please see the back cover of this manual. To help us assist you, note the product model number and serial number before contacting us. The model number and the location of the serial number decal are shown on the front cover of this manual.

Before reading further, please familiarize yourself with the parts that are labeled in the drawing below.



PART IDENTIFICATION CHART

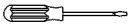
Use the drawings below to identify the small parts needed for assembly. The number in parentheses below each drawing is the key number of the part, from the PART LIST near the end of this manual. The number following the key number is the quantity needed for assembly. **Note: If a part is not in the hardware kit, check to see if it has been preassembled. Extra parts may be included. If a part is missing, please call 1-888-533-1333.**



ASSEMBLY

- Assembly requires two persons.
- Place all parts in a cleared area and remove the packing materials. Do not dispose of the packing materials until you complete all assembly steps.
- To identify small parts, see page 5.

- In addition to the included tool(s), assembly requires the following tools:

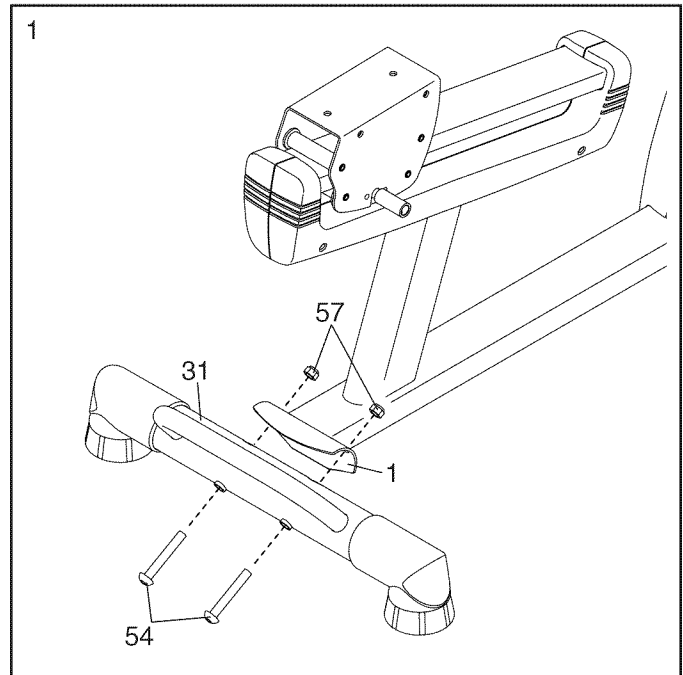
one Phillips screwdriver 

one adjustable wrench 

Assembly may be easier if you have your own set of wrenches. To avoid damaging parts, do not use power tools.

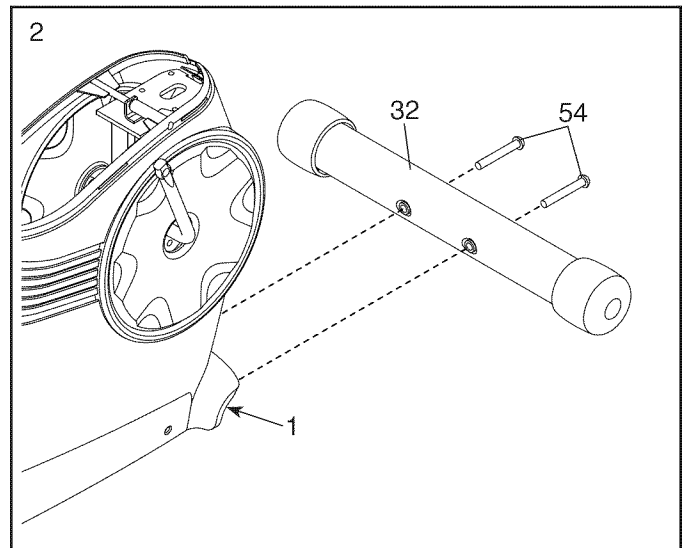
1. Orient the Rear Stabilizer (31) as shown.

While a second person lifts the rear of the Frame (1), attach the Rear Stabilizer (31) to the Frame with two M10 x 80mm Bolts (54) and two M10 Jam Nuts (57).



2. Orient the Front Stabilizer (32) as indicated by the sticker.

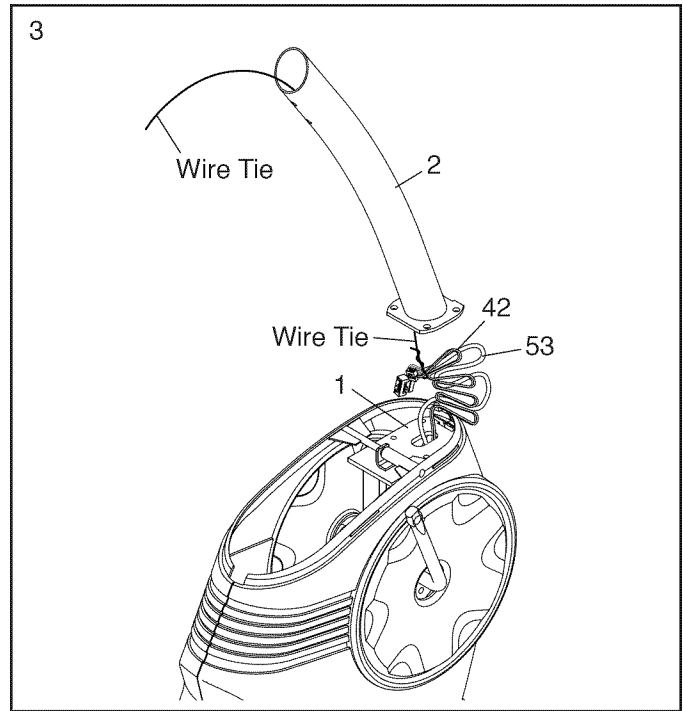
While a second person lifts the front of the Frame (1), attach the Front Stabilizer (32) to the Frame with two M10 x 80mm Screws (54).



3. Orient the Upright (2) as shown. Have a second person hold the Upright near the Frame (1).

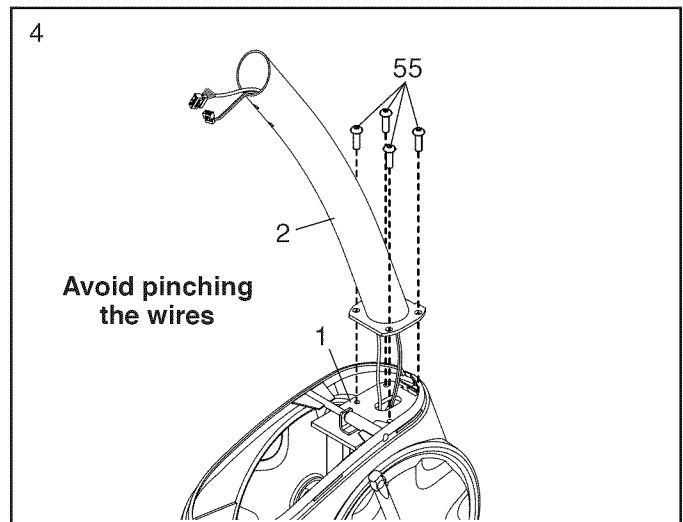
Locate the wire tie inside the Upright (2). Tie the lower end of the wire tie to the ends of the Main Wire (53) and the Frame Pulse Wire (42).

Then, pull the other end of the wire tie upward until the Main Wire (53) and the Frame Pulse Wire (42) are routed completely through the Upright (2).



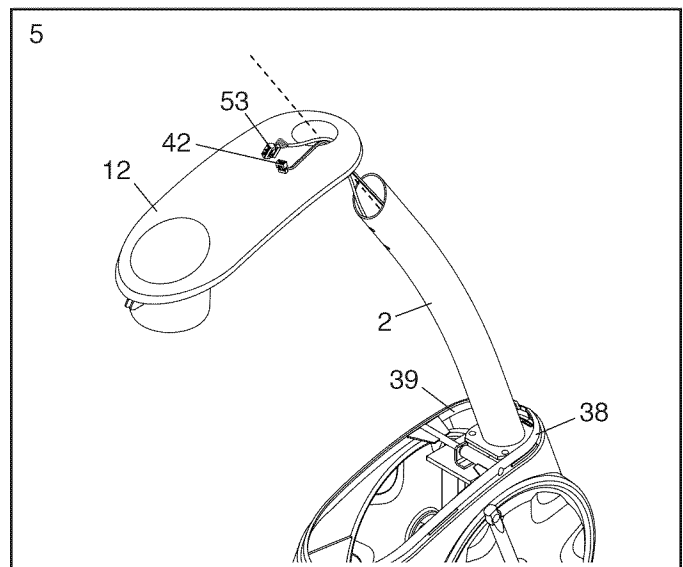
4. **Tip: Avoid pinching the wires.** Set the Upright (2) on the Frame (1).

Attach the Upright (2) to the Frame (1) with four M8 x 20mm Screws (55).



5. Orient the Shield Cover (12) as shown. Then, insert the Main Wire (53) and the Frame Pulse Wire (42) upward through the Shield Cover.

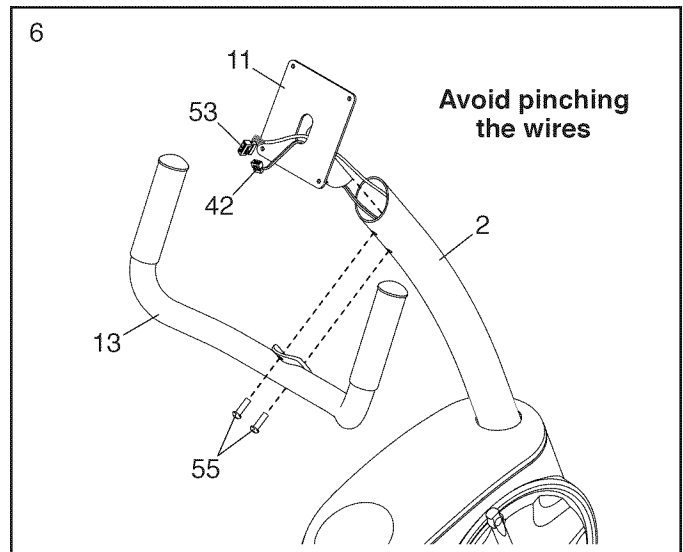
Slide the Shield Cover (12) onto the Upright (2). Then, press the Shield Cover into the Right and Left Frame Shields (38, 39).



6. Orient the Console Plate (11) as shown. Then, insert the Main Wire (53) and the Frame Pulse Wire (42) upward through the Console Plate.

Tip: Avoid pinching the wires. Insert the Console Plate (11) into the Upright (2).

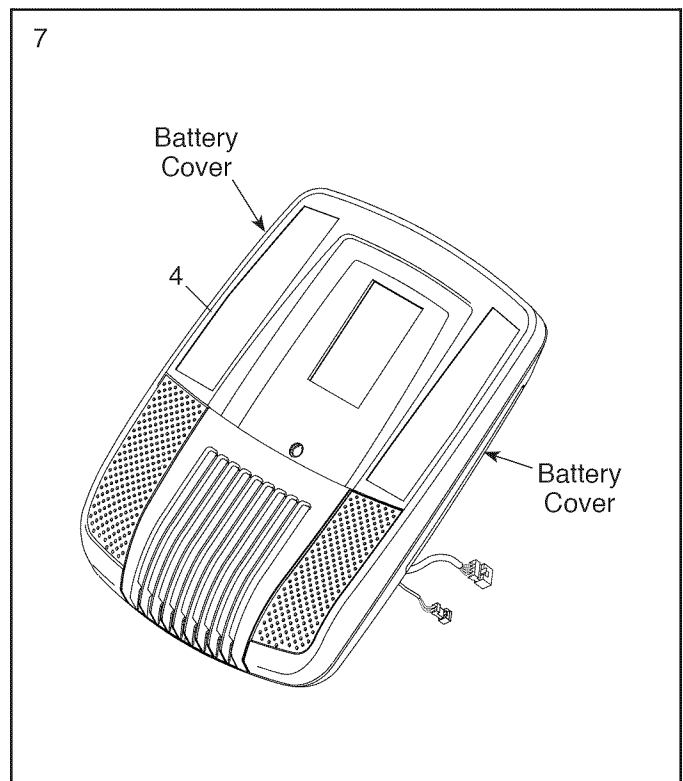
Orient the Handlebar (13) as shown. **Tip: Avoid pinching the wires.** Attach the Handlebar and the Console Plate (11) to the Upright (2) with two M8 x 20mm Screws (55).



7. The Console (4) can use four D batteries (not included); alkaline batteries are recommended. **IMPORTANT: If the Console has been exposed to cold temperatures, allow it to warm to room temperature before inserting batteries. Otherwise, you may damage the console displays or other electronic components.**

Remove the battery covers from the back of the Console (4), and insert batteries into the battery compartments. **Make sure to orient the batteries as shown by the diagrams inside the battery compartments.** Then, reattach the battery covers.

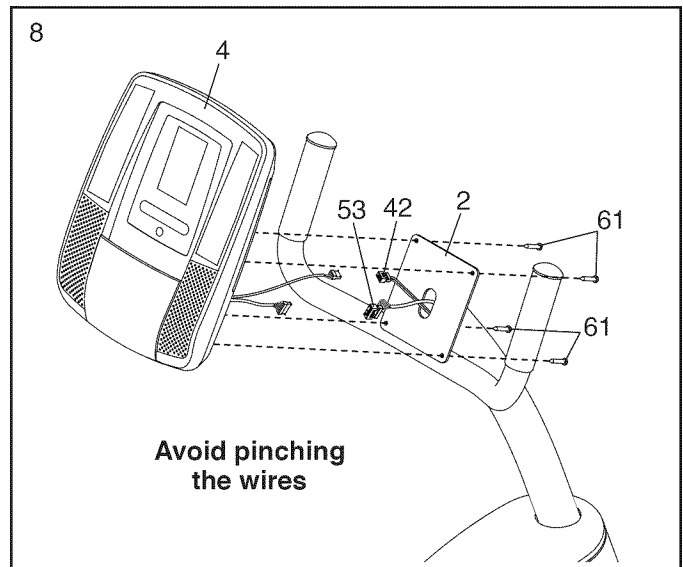
To purchase an optional power adapter, call the telephone number on the cover of this manual. To avoid damaging the console, use only a manufacturer-supplied power adapter. Plug one end of the power adapter into the receptacle on the console; plug the other end into an outlet installed in accordance with all local codes and ordinances.



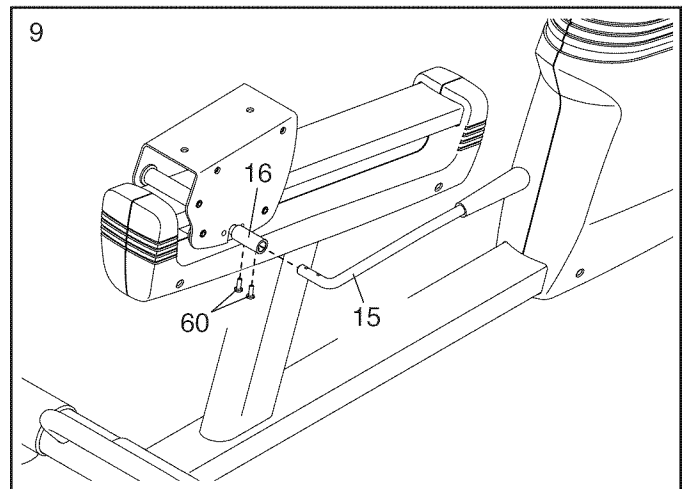
8. While a second person holds the Console (4) near the Upright (2), connect the wires on the Console to the Main Wire (53) and to the Frame Pulse Wires (42).

Insert the excess wire into the Upright (2) or into the Console (4).

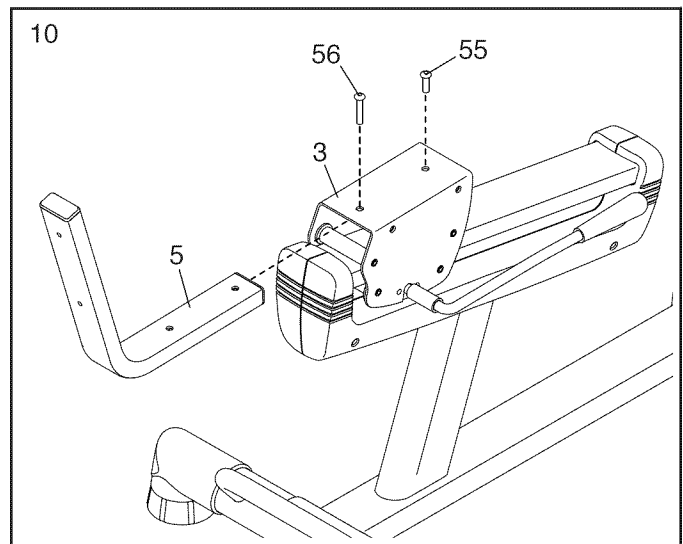
Tip: Avoid pinching the wires. Attach the Console (4) to the Upright (2) with four M4 x 16mm Screws (61).



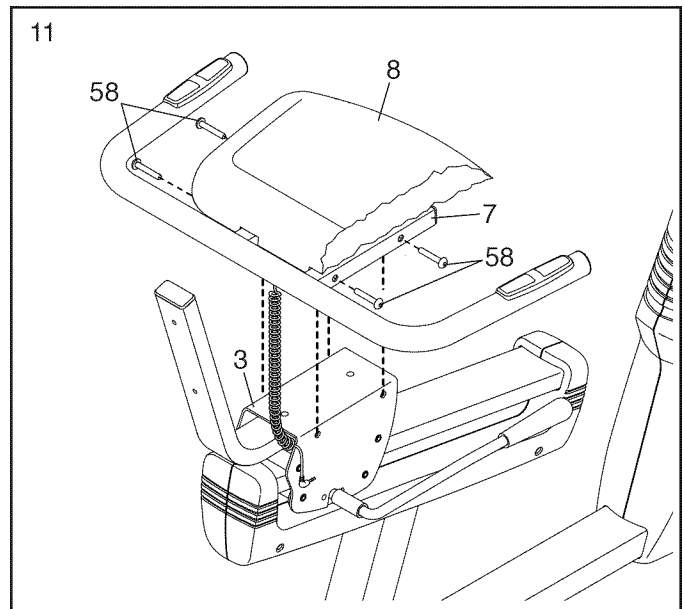
9. Orient the Adjustment Lever (15) as shown. Attach the Adjustment Lever to the Brake Axle (16) with two M5 x 16mm Screws (60).



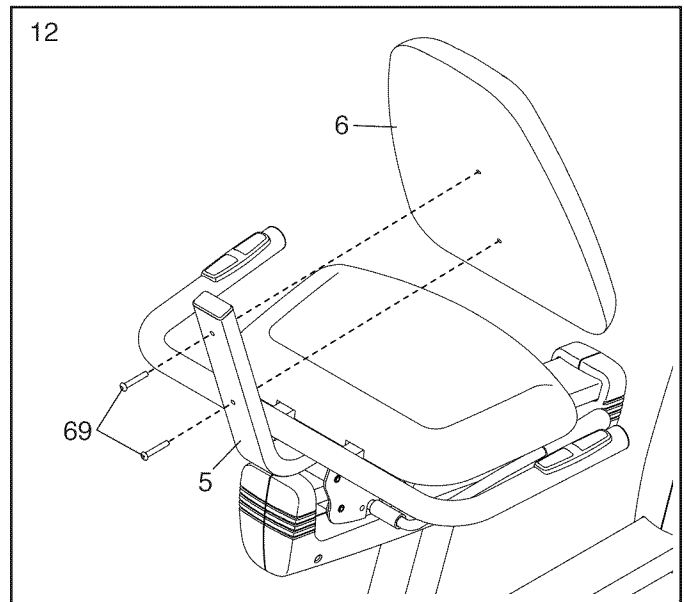
10. Orient the Backrest Frame (5) as shown. Attach the Backrest Frame to the Seat Carriage (3) with an M8 x 20mm Screw (55) and an M8 x 30mm Screw (56).



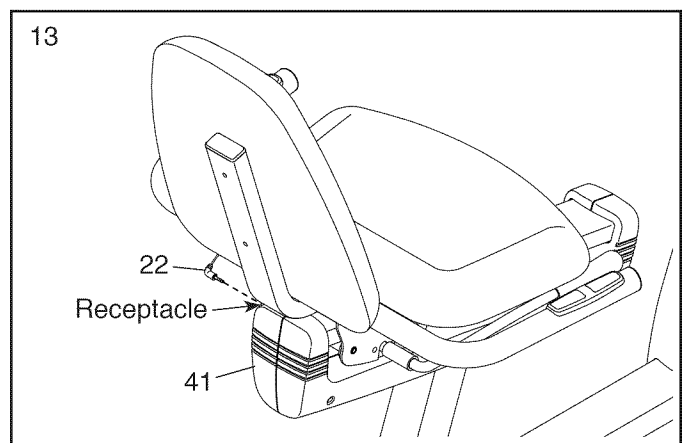
11. Orient the Seat (8) and Seat Frame (7) assembly as shown. Attach the Seat Frame to the Seat Carriage (3) with four M8 x 40mm Screws (58).



12. Orient the Backrest (6) as shown. Attach the Backrest to the Backrest Frame (5) with two M6 36mm Screws (69).



13. Plug the Seat Frame Pulse Wire (22) into the receptacle in the Left Seat Shield (41).

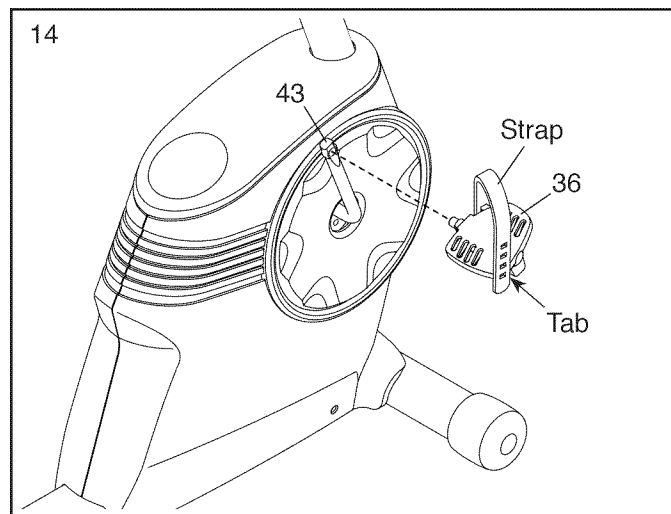


14. Identify the Right Pedal (36), which is marked with an "R."

Using an adjustable wrench, **firmly tighten** the Right Pedal (36) **clockwise** into the right side of the Crank (43).

Firmly tighten the Left Pedal (not shown) **counterclockwise** into the left side of the Crank (not shown).

Adjust the right strap to the desired position, and press the ends of the straps onto the tabs on the Right Pedal (36). **Adjust the strap on the Left Pedal (not shown) in the same way.**

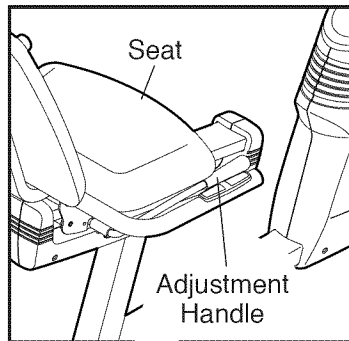


15. **Make sure that all parts are properly tightened before you use the exercise bike.** Note: After assembly is completed, some extra parts may be left over. Place a mat beneath the exercise bike to protect the floor.

HOW TO USE THE EXERCISE BIKE

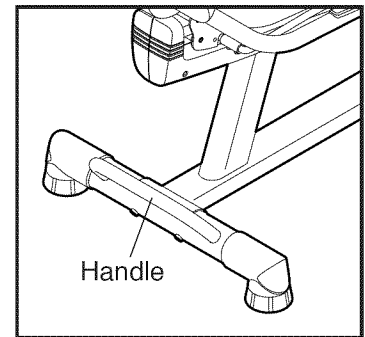
HOW TO ADJUST THE SEAT

The seat can be adjusted forward or backward to the position that is the most comfortable. To adjust the seat, push downward on the adjustment handle, slide the seat to the desired position, and then pull upward on the adjustment handle to lock the seat in place.



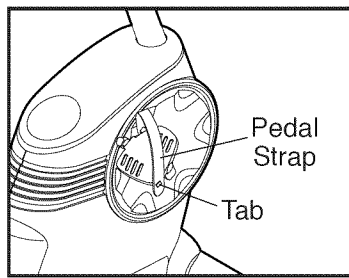
HOW TO MOVE THE EXERCISE BIKE

To move the exercise bike, hold the handle on the rear stabilizer and carefully lift it until the exercise bike can be moved on the front wheels. Carefully move the exercise bike to the desired location and then lower it.



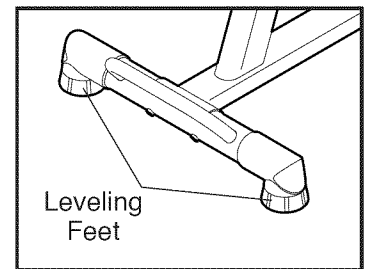
HOW TO ADJUST THE PEDAL STRAPS

To adjust the pedal straps, first pull the ends of the straps off the tabs on the pedals. Adjust the straps to the desired position, and then press the ends of the straps onto the tabs.

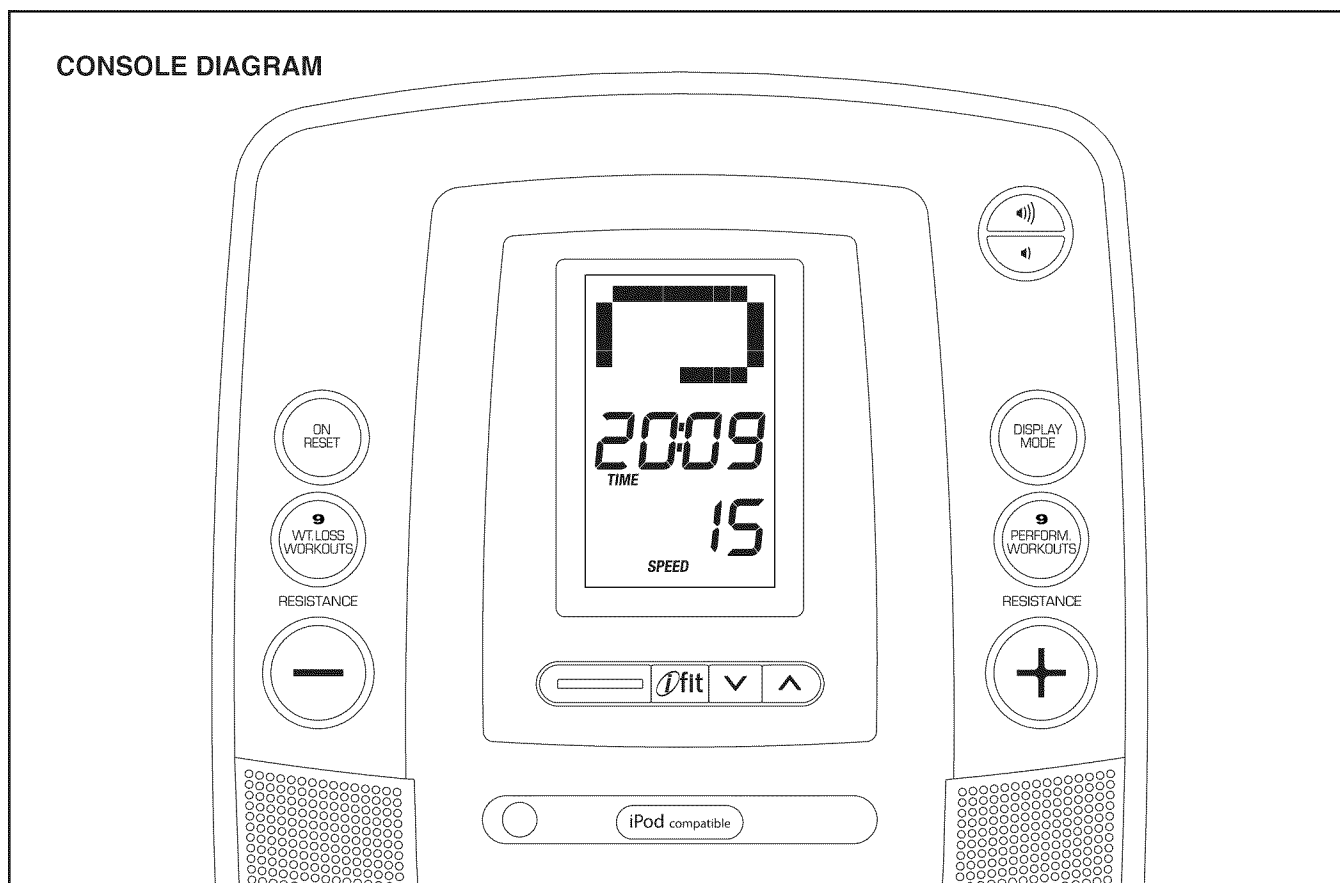


HOW TO LEVEL THE EXERCISE BIKE

If the exercise bike rocks slightly on your floor during use, turn one or both of the leveling feet on the rear stabilizer until the rocking motion is eliminated.



CONSOLE DIAGRAM



FEATURES OF THE CONSOLE

The advanced console offers an array of features designed to make your workouts more effective and enjoyable.

When you use the manual mode of the console, you can change the resistance of the pedals with the touch of a button. As you exercise, the console will provide continuous exercise feedback. You can even measure your heart rate using the handgrip heart rate monitor.

The console offers eighteen preset workouts—nine weight loss and nine performance workouts. Each preset workout automatically changes the resistance of the pedals and prompts you to vary your pedaling speed as it guides you through an effective workout.

The console also features the iFit interactive workout system, which enables the console to accept iFit cards containing workouts designed to help you achieve specific fitness goals.

For example, lose unwanted pounds with the 8-week Weight Loss workout. iFit workouts control the resistance of the pedals while the voice of a personal trainer coaches you through your workouts. iFit cards are available separately. **To purchase iFit cards, go to www.iFit.com or call 1-888-533-1333. iFit cards are also available at select stores.**

You can even connect your MP3 player or CD player to the console sound system and listen to your favorite music or audio books while you exercise.

To use the manual mode, see page 14. **To use a preset workout**, see page 15. **To use an iFit workout**, see page 16. **To use the sound system**, see page 17. **To use the user mode**, see page 17.

Note: Before using the console, make sure that batteries are installed (see assembly step 7 on page 8). If there is a sheet of plastic on the display, remove the plastic.

HOW TO USE THE MANUAL MODE

1. Turn on the console.

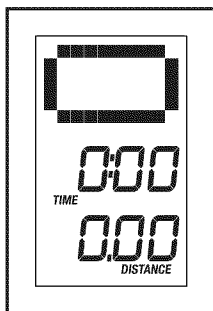
Press any button or begin pedaling to turn on the console.

When you turn on the console, the display will light. A tone will sound and the console will be ready for use.

2. Select the manual mode.

When you turn on the console, the manual mode will be selected automatically.

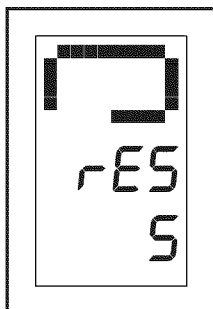
If you have selected a workout, reselect the manual mode by pressing the 9 Wt. Loss Workouts button or the 9 Perform. Workouts button repeatedly until a track appears in the upper display.



3. Begin pedaling and change the resistance of the pedals as desired.

As you pedal, change the resistance of the pedals by pressing the Resistance increase and decrease buttons.

Note: After you press the buttons, it will take a moment for the pedals to reach the selected resistance level.



4. Follow your progress with the display.

The display can show the following workout information:

Calories—This display mode will show the approximate number of calories you have burned.

Distance—This display mode will show the distance that you have pedaled in miles or kilometers.

Profile—When a workout is selected, this display mode will show a profile of the resistance settings of the workout.

Pulse—This display mode will show your heart rate when you use the handgrip heart rate monitor (see step 5 on page 15).

Resistance (Res)—This display mode will show the resistance level of the pedals for a few seconds each time the resistance level changes.

Speed—This display mode will show your pedaling speed in miles per hour or kilometers per hour.

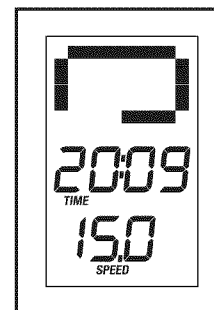
Time—When the manual mode is selected, this display mode will show the elapsed time. When a workout is selected, this display mode will show the time remaining in the workout.

Track—When the manual mode is selected, this display mode will show a track representing 1/4 mile (400 m). As you exercise, indicators will appear in succession around the track until the entire track appears. The track will then disappear and the indicators will again begin to appear in succession.

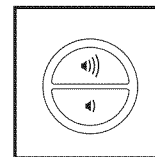
Press the Display Mode button repeatedly to view the desired workout information.

To reset the display to zero, press the On/Reset button.

Note: The console can show pedaling speed and distance in either miles or kilometers. To view or change the unit of measurement, see THE USER MODE on page 17.



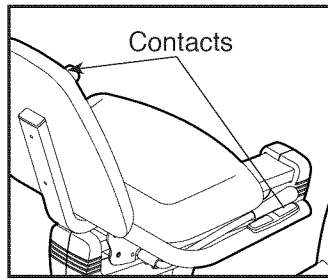
Change the volume level of the console by pressing the Volume increase and decrease buttons.



5. Measure your heart rate if desired.

If there are sheets of plastic on the metal contacts on the handgrip heart rate monitor, remove the plastic. In addition, make sure that your hands are clean. To

measure your heart rate, hold the handgrip heart rate monitor with your palms resting against the contacts. **Avoid moving your hands or gripping the contacts tightly.**



When your pulse is detected, a heart-shaped symbol will flash in the display and then your heart rate will be shown. For the most accurate heart rate reading, hold the contacts for at least 15 seconds.

If your heart rate is not shown, make sure that your hands are positioned as described. Be careful not to move your hands excessively or to squeeze the contacts tightly. For optimal performance, clean the contacts using a soft cloth; **never use alcohol, abrasives, or chemicals to clean the contacts.**

6. When you are finished exercising, the console will turn off automatically.

If the pedals do not move for several seconds, a series of tones will sound, the console will pause, and the time will flash in the display.

If the pedals do not move for several minutes, the console will turn off and the display will be reset.

HOW TO USE A PRESET WORKOUT

1. Turn on the console.

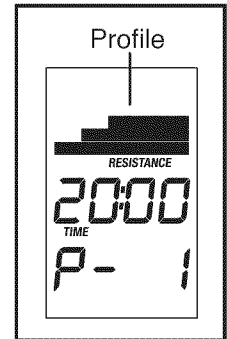
Press any button or begin pedaling to turn on the console.

When you turn on the console, the display will light. A tone will sound and the console will be ready for use.

2. Select a preset workout.

To select a preset workout, press the 9 Wt. Loss Workouts button or the 9 Perform. Workouts button repeatedly until the number of the desired workout appears in the lower display.

When you select a preset workout, a profile of the resistance levels of the workout will scroll across the upper display, the duration of the workout will appear in the center display, and the number of the workout will appear in the lower display.



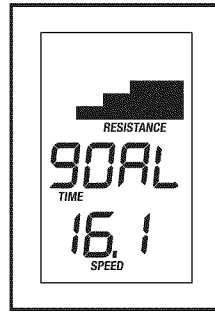
3. Begin pedaling to start the workout.

Each workout is divided into several one-minute segments. One resistance level and one goal speed is programmed for each segment. Note: The same resistance level and/or goal speed may be programmed for consecutive segments.

During the workout, the workout profile will show your progress (see the drawing above). The flashing segment of the profile represents the current segment of the workout. The height of the flashing segment indicates the resistance level for the current segment.

At the end of each segment of the workout, a series of tones will sound and the next segment of the profile will begin to flash. If a different resistance level is programmed for the next segment, the resistance level will appear in the display for a few seconds to alert you. The resistance of the pedals will then change.

As you exercise, keep your pedaling speed near the goal speed for the current segment. The goal speed will appear in the display when the speed display mode is selected.



IMPORTANT: The goal speed is intended only to provide motivation. Your actual pedaling speed may be slower than the goal speed. Make sure to pedal at a speed that is comfortable for you.

If the resistance level for the current segment is too high or too low, you can manually override the setting by pressing the Resistance buttons. **IMPORTANT: When the current segment of the workout ends, the pedals will automatically adjust to the resistance level programmed for the next segment.**

If you stop pedaling for several seconds, a series of tones will sound and the workout will pause.

To resume the workout, simply resume pedaling. The workout will continue until the last segment of the profile flashes and the last segment of the workout ends.

4. Follow your progress with the display.

See step 4 on page 14.

5. Measure your heart rate if desired.

See step 5 on page 15.

6. When you are finished exercising, the console will turn off automatically.

See step 6 on page 15.

HOW TO USE AN IFIT WORKOUT

iFit cards are available separately. To purchase iFit cards, go to www.iFit.com or call 1-888-533-1333. iFit cards are also available at select stores.

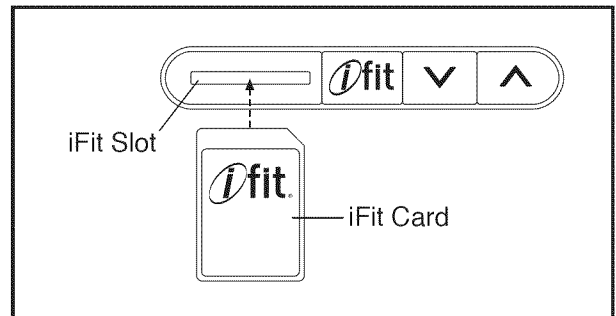
1. Turn on the console.

Press any button or begin pedaling to turn on the console.

When you turn on the console, the display will light. A tone will sound and the console will be ready for use.

2. Insert an iFit card and select a workout.

To use an iFit workout, insert an iFit card into the iFit slot; make sure that the iFit card is oriented so that the metal contacts are face down and are facing the slot. When the iFit card is properly inserted, the indicator next to the slot will light.



Next, select the desired workout on the iFit card by pressing the increase and decrease buttons next to the iFit slot.

A profile of the resistance levels of the workout will scroll across the upper display, the duration of the workout will appear in the center display, and the number of the workout will appear in the lower display.

A moment after you select a workout, the voice of a personal trainer will begin guiding you through your workout. iFit workouts function in the same way as preset workouts. To use the workout, see steps 3 to 6 starting on page 15.

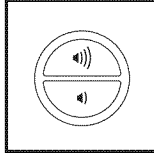
3. When you are finished exercising, remove the iFit card.

Remove the iFit card when you are finished exercising. Store the iFit card in a secure place.

HOW TO USE THE SOUND SYSTEM

To play music or audio books through the console sound system while you exercise, plug the included audio cable into the jack on the console and into a jack on your MP3 player or CD player; **make sure that the audio cable is fully plugged in.**

Next, press the Play button on your MP3 player or CD player. Adjust the volume level using the Volume increase and decrease buttons on the console or the volume control on your MP3 player or CD player.

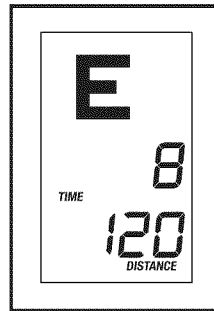


THE USER MODE

The console features a user mode that allows you to select a unit of measurement for the console and to view console usage information.

1. Select the user mode.

To select the user mode, press and hold down the Display Mode button for a few seconds until the user mode information appears in the display.



2. Select a unit of measurement if desired.

The console can show pedaling speed and distance in either miles or kilometers.

The upper display will show the selected unit of measurement. An E for English miles or an M for metric kilometers will appear in the upper display. To change the unit of measurement, press the Resistance decrease button repeatedly.

Note: When you replace the batteries, it may be necessary to reselect the unit of measurement.

3. View console usage information if desired.

The center display will show the total number of hours that the console has been used since the exercise bike was purchased. The lower display will show the total distance that the pedals have moved since the exercise bike was purchased.

4. Exit the user mode.

Press the Display Mode button to exit the user mode.

MAINTENANCE AND TROUBLESHOOTING

Inspect and tighten all parts of the exercise bike regularly. Replace any worn parts immediately.

To clean the exercise bike, use a damp cloth and a small amount of mild soap. **IMPORTANT: To avoid damage to the console, keep liquids away from the console and keep the console out of direct sunlight.**

CONSOLE TROUBLESHOOTING

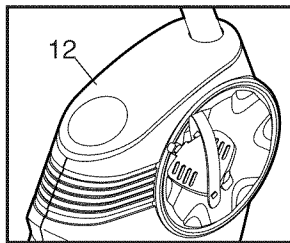
If the console display becomes dim, replace all the batteries at the same time; most console problems are the result of low batteries. See assembly step 7 on page 8 for replacement instructions.

If the console does not display your heart rate when you use the handgrip heart rate monitor, see step 5 on page 15.

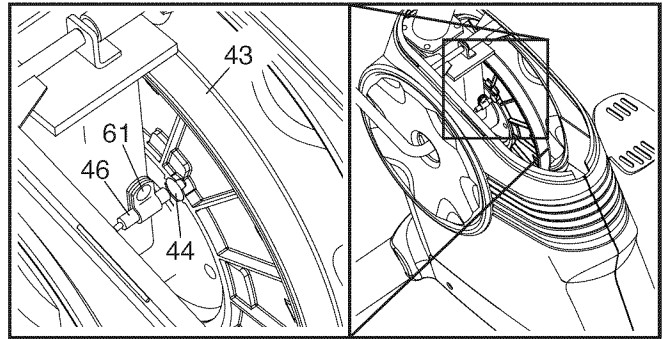
HOW TO ADJUST THE REED SWITCH

If the console does not display correct feedback, the reed switch should be adjusted.

To adjust the reed switch, you must first remove the Shield Cover (12). Using a flat screwdriver, release the tabs on the Shield Cover, and then lift the Shield Cover away from the frame.



Next, locate the Reed Switch (46). Loosen, but do not remove, the M4 x 16mm Screw (61).



Next, rotate the Pulley (43) until a Magnet (44) is aligned with the Reed Switch (46). Slide the Reed Switch slightly toward or away from the Magnet. Then, retighten the M4 x 16mm Screw (61).

Rotate the Pulley (43) for a moment. Repeat these actions until the console displays correct feedback.

When the reed switch is correctly adjusted, reattach the shield cover.

HOW TO ADJUST THE DRIVE BELT

If you can feel the pedals slip while you are pedaling, even when the resistance is adjusted to the highest level, the drive belt may need to be adjusted.

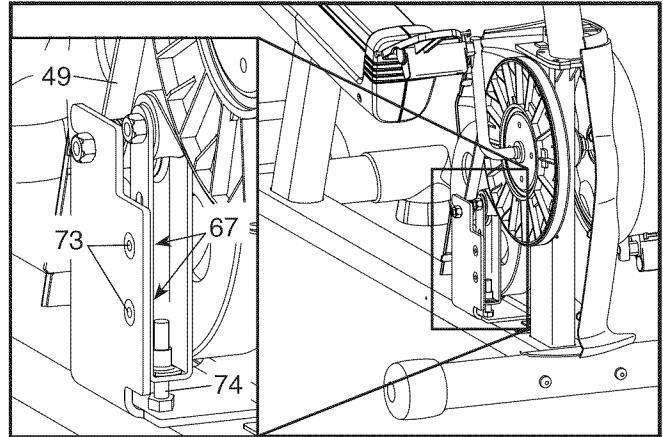
To adjust the drive belt, you must remove the right pedal, the shield cover, and the right frame shield (see the instructions below).

Using an adjustable wrench, turn the right pedal counterclockwise and remove it.

See the HOW TO ADJUST THE REED SWITCH on page 18 and remove the Shield Cover (12).

Next, see the EXPLODED DRAWING near the end of this manual and remove the M4 x 16mm Screws (61) from the Right and Left Frame Shields (38, 39). Then, gently remove the Right Frame Shield.

Hold the two M8 Locknuts (67) and loosen the two M8 x 16mm Flat Head Screws (73). Next, loosen the M10 x 35mm Hex Screw (74) until the Drive Belt (49) is tight. Then, hold the M8 Locknuts and tighten the M8 x 16mm Flat Head Screws.



Then, reattach the right frame shield, the top shield, and the right pedal.

FCC INFORMATION

This equipment has been tested and found to comply with the limits for a Class B digital device, pursuant to part 15 of the FCC Rules. These limits are designed to provide reasonable protection against harmful interference in a residential installation. This equipment generates, uses, and can radiate radio frequency energy and, if not installed and used in accordance with the instructions, may cause harmful interference to radio communications. However, there is no guarantee that interference will not occur in a particular installation. If this equipment does cause harmful interference to radio or television reception, which can be determined by turning the equipment off and on, try to correct the interference by one or more of the following measures:

- Reorient or relocate the receiving antenna.
- Increase the separation between the equipment and the receiver.
- Connect the equipment into an outlet on a circuit different from that to which the receiver is connected.
- Consult the dealer or an experienced radio/TV technician for help.

FCC CAUTION: To assure continued compliance, use only shielded interface cables when connecting to computer or peripheral devices. Changes or modifications not expressly approved by the party responsible for compliance could void the user's authority to operate this equipment.

EXERCISE GUIDELINES

⚠️ WARNING: Before beginning this or any exercise program, consult your physician. This is especially important for persons over age 35 or persons with pre-existing health problems.

The heart rate monitor is not a medical device. Various factors may affect the accuracy of heart rate readings. The heart rate monitor is intended only as an exercise aid in determining heart rate trends in general.

These guidelines will help you to plan your exercise program. For detailed exercise information, obtain a reputable book or consult your physician. Remember, proper nutrition and adequate rest are essential for successful results.

EXERCISE INTENSITY

Whether your goal is to burn fat or to strengthen your cardiovascular system, exercising at the proper intensity is the key to achieving results. You can use your heart rate as a guide to find the proper intensity level. The chart below shows recommended heart rates for fat burning and aerobic exercise.

165	155	145	140	130	125	115	♥♥
145	138	130	125	118	110	103	♥
125	120	115	110	105	95	90	♥
<hr/>							
20	30	40	50	60	70	80	

To find the proper intensity level, find your age at the bottom of the chart (ages are rounded off to the nearest ten years). The three numbers listed above your age define your “training zone.” The lowest number is the heart rate for fat burning, the middle number is the heart rate for maximum fat burning, and the highest number is the heart rate for aerobic exercise.

Burning Fat—To burn fat effectively, you must exercise at a low intensity level for a sustained period of time. During the first few minutes of exercise, your body uses carbohydrate calories for energy. Only after the first few minutes of exercise does your body begin to use stored fat calories for energy. If your goal is to burn fat, adjust the intensity of your exercise until your heart rate is near the lowest number in your training zone. For maximum fat burning, exercise with your heart rate near the middle number in your training zone.

Aerobic Exercise—If your goal is to strengthen your cardiovascular system, you must perform aerobic exercise, which is activity that requires large amounts of oxygen for prolonged periods of time. For aerobic exercise, adjust the intensity of your exercise until your heart rate is near the highest number in your training zone.

WORKOUT GUIDELINES

Warming Up—Start with 5 to 10 minutes of stretching and light exercise. A warm-up increases your body temperature, heart rate, and circulation in preparation for exercise.

Training Zone Exercise—Exercise for 20 to 30 minutes with your heart rate in your training zone. (During the first few weeks of your exercise program, do not keep your heart rate in your training zone for longer than 20 minutes.) Breathe regularly and deeply as you exercise—never hold your breath.

Cooling Down—Finish with 5 to 10 minutes of stretching. Stretching increases the flexibility of your muscles and helps to prevent post-exercise problems.

EXERCISE FREQUENCY

To maintain or improve your condition, complete three workouts each week, with at least one day of rest between workouts. After a few months of regular exercise, you may complete up to five workouts each week, if desired. Remember, the key to success is to make exercise a regular and enjoyable part of your everyday life.

PART LIST

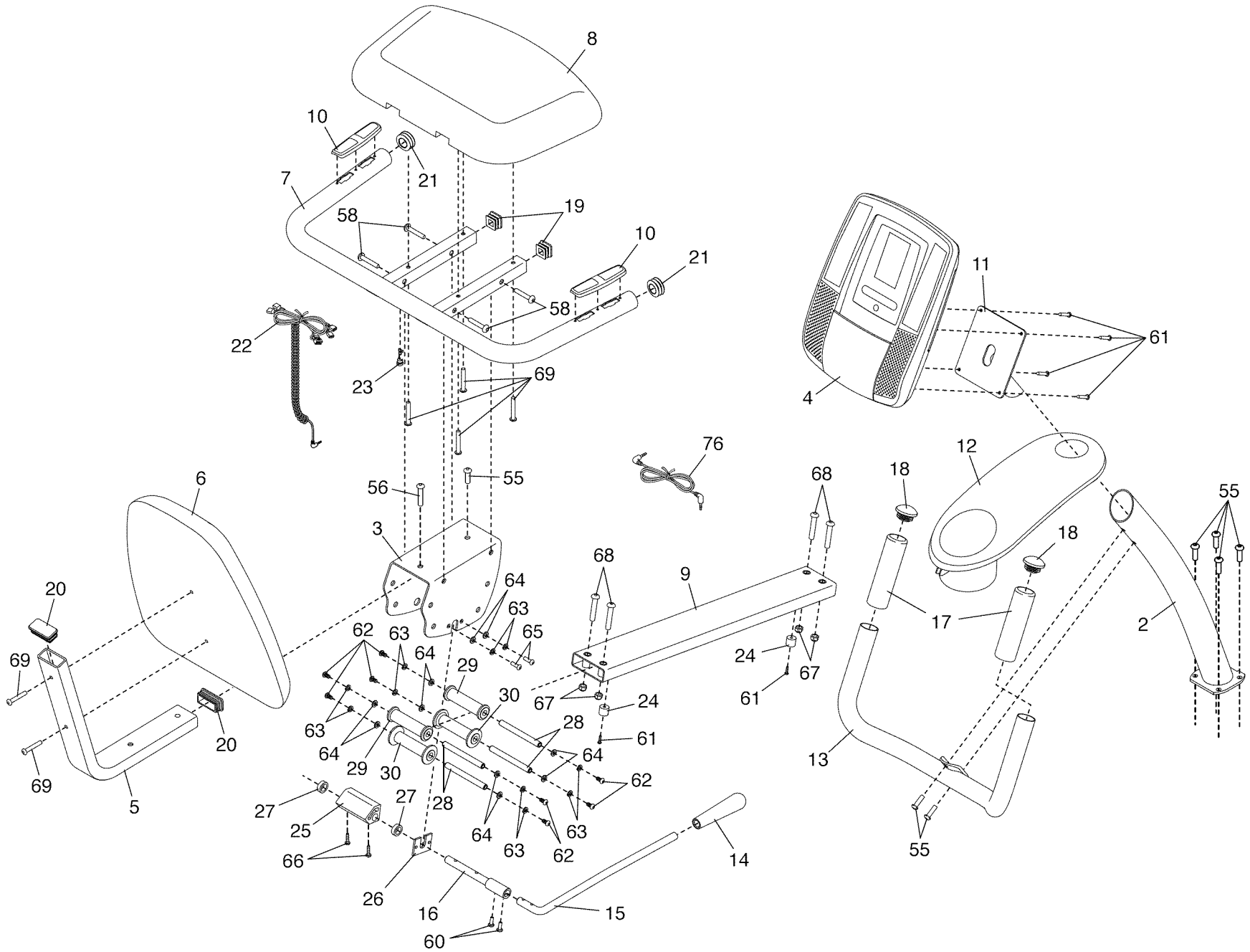
Model No. 831.21952.3 R0911B

Key No.	Qty.	Description	Key No.	Qty.	Description
1	1	Frame	41	1	Left Seat Shield
2	1	Upright	42	1	Frame Pulse Wire
3	1	Seat Carriage	43	1	Crank/Pulley
4	1	Console	44	2	Magnet
5	1	Backrest Frame	45	1	Bearing Assembly
6	1	Backrest	46	1	Reed Switch
7	1	Seat Frame	47	1	Clamp
8	1	Seat	48	1	Resistance Mechanism
9	1	Carriage Rail	49	1	Drive Belt
10	2	Pulse Sensor	50	1	Idler
11	1	Console Plate	51	1	Resistance Motor
12	1	Shield Cover	52	1	Resistance Cable
13	1	Handlebar	53	1	Main Wire
14	1	Adjustment Handle	54	4	M10 x 80mm Screw/Bolt
15	1	Adjustment Lever	55	7	M8 x 20mm Screw
16	1	Brake Axle	56	1	M8 x 30mm Screw
17	2	Handgrip	57	2	M10 Jam Nut
18	2	Handlebar Cap	58	4	M8 x 40mm Screw
19	2	Square Cap	59	1	M4 x 16mm Bright Screw
20	2	Backrest Frame Cap	60	2	M5 x 16mm Screw
21	2	Round Seat Frame Cap	61	18	M4 x 16mm Screw
22	1	Seat Frame Pulse Wire	62	8	M6 x 25mm Screw
23	1	Locking Grommet	63	10	M6 Split Washer
24	2	Carriage Bumper	64	10	M6 Washer
25	1	Brake	65	2	1/4" x 1/2" Screw
26	1	Brake Plate	66	2	M6 x 16mm Screw
27	2	Brake Spacer	67	6	M8 Locknut
28	4	Roller Axle	68	4	M8 x 42mm Bolt
29	2	Upper Roller	69	6	M6 x 36mm Screw
30	2	Lower Roller	70	2	M10 x 41mm Shoulder Screw
31	1	Rear Stabilizer	71	1	M10 Flange Nut
32	1	Front Stabilizer	72	1	M8 Flange Nut
33	2	Stabilizer Cover	73	2	M8 x 16mm Flat Head Screw
34	2	Leveling Foot	74	1	M10 x 35mm Hex Screw
35	2	Wheel	75	4	M4 x 12mm Screw
36	1	Right Pedal/Strap	76	1	Audio Cable
37	1	Left Pedal/Strap	*	–	Jumper Wire
38	1	Right Frame Shield	*	–	Assembly Tool
39	1	Left Frame Shield	*	–	User's Manual
40	1	Right Seat Shield			

Note: Specifications are subject to change without notice. For information about ordering replacement parts, see the back cover of this manual. **If a part is missing, call 1-888-533-1333.** *These parts are not illustrated.

EXPLODED DRAWING A

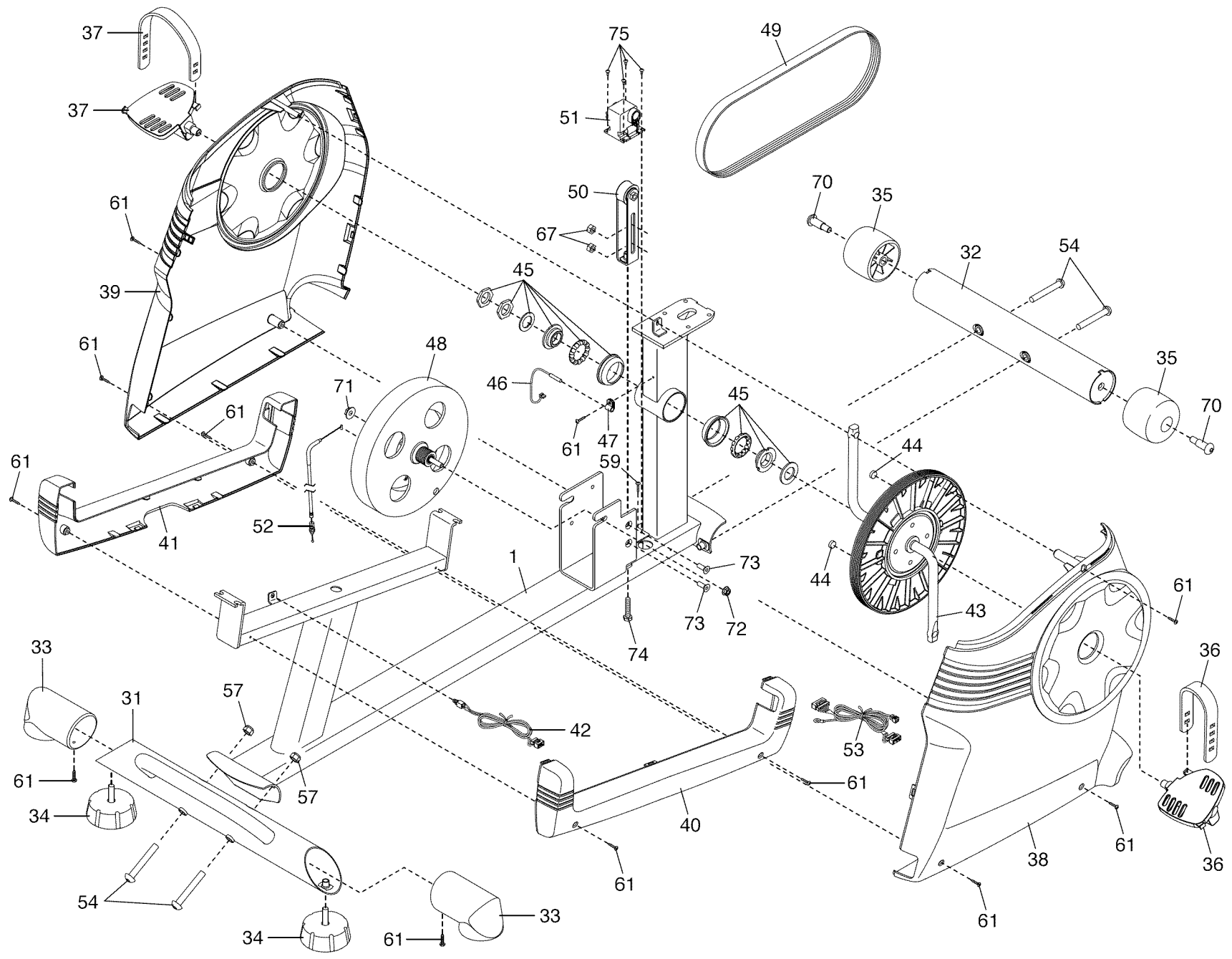
Model No. 831.21952.3 R0911B



EXPLODED DRAWING B

Model No. 831.21952.3 R0911B

23



Get it fixed, at your home or ours!

Your Home

For repair—in **your home**—of **all** major brand appliances, lawn and garden equipment, or heating and cooling systems, **no matter who made it, no matter who sold it!**

For the replacement parts, accessories, and user's manuals that you need to do-it-yourself.

For Sears professional installation of home appliances and items like garage door openers and water heaters.

1-800-4-MY-HOME® (1-800-469-4663)

Call anytime, day or night (U.S.A. and Canada)

www.sears.com

www.sears.ca

Our Home

For repair of carry-in items like vacuums, lawn equipment, and electronics, call or go on-line for the location of your nearest **Sears Parts & Repair Center.**

1-800-488-1222 Call anytime, day or night (U.S.A. only)

www.sears.com

To purchase a protection agreement (U.S.A.) or maintenance agreement (Canada) on a product serviced by Sears:

1-800-827-6655 (U.S.A.)

1-800-361-6665 (Canada)

Para pedir servicio de reparación a domicilio, y para ordenar piezas:

1-888-SU-HOGAR® (1-888-784-6427)



® Registered Trademark / ™ Trademark / ™ Service Mark of Sears Brands, LLC
® Marca Registrada / ™ Marca de Fábrica / ™ Marca de Servicio de Sears Brands, LLC

90 DAY FULL WARRANTY

If this Sears Bike Exerciser fails due to a defect in material or workmanship within 90 days of the date of purchase, call 1-800-4-MY-HOME® (1-800-469-4663) to arrange for free repair (or replacement if repair proves impossible). There is a 7 year warranty on the frame.

This warranty does not apply when the Bike Exerciser is used commercially or for rental purposes.

This warranty gives you specific legal rights, and you may also have other rights which vary from state to state.

Sears, Roebuck and Co., Hoffman Estates, IL 60179