

Convection Microwave Oven Installation Instructions

⚠ WARNING

Installation and service must be performed by a qualified installer.

IMPORTANT: Save for local electrical inspector's use.

Read and Save these instructions for future reference.

The electrical requirements for this oven are 120 volts, 15 amps.

NOTE

1. Base must be capable of supporting 150 pounds (68.0 kg) for the Convection Microwave Oven only.
2. Make sure base is level and front of cabinet is square. If the cabinet base is not level, the oven will tend to slide out when opening the door.
3. Minimum required distance is 36" (91.44 cm) from the floor.
4. The outlet should not be located in the shaded area of Figure 1. It is required the outlet be a dedicated 120 volts with a 15amp rating for the appliance.
5. Minimum required distance between the Microwave Oven and the wall oven cutouts should be at least 3 inches. The actual visible space will be reduced due to the overlap of the Microwave Oven lower vent and the wall oven.

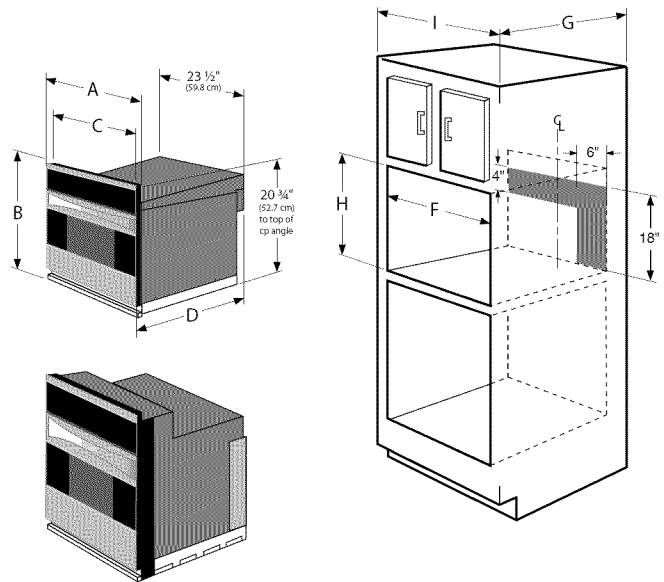


Figure 1

Product Dimensions

Model	A	B	C	D
27" (68.8)	27" (68.8)	21 ³ / ₄ " (55.3)	24 ⁷ / ₈ " (63.2)	20 ³ / ₄ " (52.6)
30" (76.4)	30" (76.4)	21 ³ / ₄ " (55.3)	28" (71.1)	20 ³ / ₄ " (52.6)

Cutout dimensions and cabinet width

Model	Min.	F	Max.	G	Min.	H	Max.	I
27" (68.8)	25 ¹ / ₈ " (63.8)		25 ⁵ / ₈ " (65.1)	24" (61.0) min.	21" (53)	21 ¹ / ₂ " (54.6)		27" (68.8) min.
30" (76.4)	28 ¹ / ₂ " (72.4)		29" (73.7)	24" (61.0) min.	21" (53)	21 ¹ / ₂ " (54.6)		30 ¹ / ₈ " (76.5) min.

All dimensions are in inches (cm).

Convection Microwave Oven Installation Instructions

IMPORTANT NOTES TO THE INSTALLER

1. Read all instructions contained in these installation instructions before installing the Convection Microwave Oven. This oven can be built into a cabinet or wall by itself or above any electric wall oven or warming drawer.
2. Remove all packing material from inside the oven cavity before connecting the electrical supply to the Convection Microwave Oven. **DO NOT REMOVE THE WAVEGUIDE COVER**, which is located on the cavity ceiling. See Figure 2A.

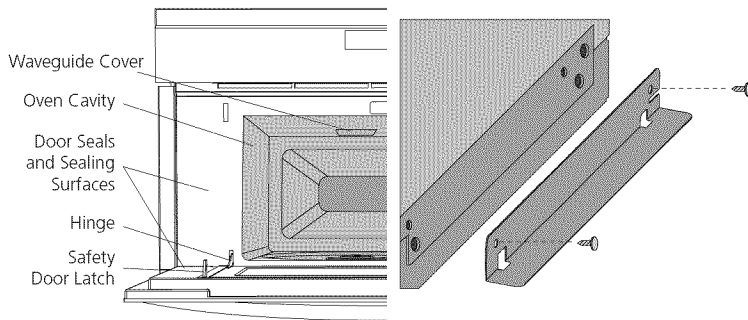


Figure 2A

Figure 2B

3. Remove the 2 shipping duct supports (see Figure 2B) by removing the 2 screws securing each side. Reinsert 2 screws (each side) to secure the stainless cover.
4. Remove the feature sticker, if there is one, from the outside of the door.
5. Check the oven for any damage, such as misaligned or bent door, damaged door seals and sealing surfaces, broken or loose door hinges and latches and dent inside the cavity or on the door.

WARNING

If there is any damage, do not operate the oven and contact your dealer or KENMORE AUTHORIZED SERVICER.

6. Observe all governing codes and local ordinances.
7. Be sure to leave these instructions with the consumer.

IMPORTANT NOTE TO THE CONSUMER

Keep these instructions with your Owner's Guide for future reference.

IMPORTANT SAFETY INSTRUCTIONS

CAUTION

Never use your appliance for warming or heating the room. Prolonged use of the oven without adequate ventilation can be dangerous.

CARPENTRY

Refer to Figure 1 for the dimensions required for your appliance, and the space necessary to install the oven. The oven support surface should be solid plywood or similar material, the surface must be level from side to side and from front to rear.

ELECTRICAL REQUIREMENTS

The appliance operates on a 120 volt, 60 Hz electrical supply with a separate ground wire. Provide a separate circuit with a fuse or circuit breaker rated for 15 amps.

Observe all governing codes and local ordinances

CAUTION

To prevent damage to the oven control, during cold temperature weather, wait at least three (3) hours after receiving this oven before supplying power to the appliance. This will prevent possible damage to the built-in oven control at power on.

CABINET INSTALLATION

WARNING

The Convection Microwave Oven can tip when the door is open. The Anti-Tip brackets supplied with the Convection Microwave Oven must be attached to the cabinet and the appliance to prevent tipping of the unit and injury to persons.

ANTI-TIP BRACKETS INSTALLATION INSTRUCTIONS

1. Unpack the Convection Microwave Oven and find the 2 Anti-Tip brackets and screws included in the literature package.
2. Install the Anti-Tip bracket in the cabinet as shown on Figure 3. **Note:** To prevent damage to cabinet, it is recommended to drill $\frac{1}{16}$ " (0.16 cm) diameter pilot holes before installing the Anti-Tip brackets.

Convection Microwave Oven Installation Instructions

CONVECTION MICROWAVE OVEN INSTALLATION

CAUTION

Two persons are required to install the oven. Never hold the door handle when moving the oven.

- Place the oven adjacent to the opening on a table or stand. Plug the power supply cord into the electrical outlet. Carefully guide the oven into the prepared opening. Avoid pinching cord between oven and wall. See Figure 4. Push the unit in and against the cabinet. The oven side bracket will clip into the Anti-Tip brackets. See Figure 3.
- To pull out the oven for servicing, open the door and locate the two holes on the side frame. Simultaneously insert the tools provided with the appliance in both holes and pull the oven towards you. See Figure 5.

ANTI-TIP BRACKET INSTALLATION

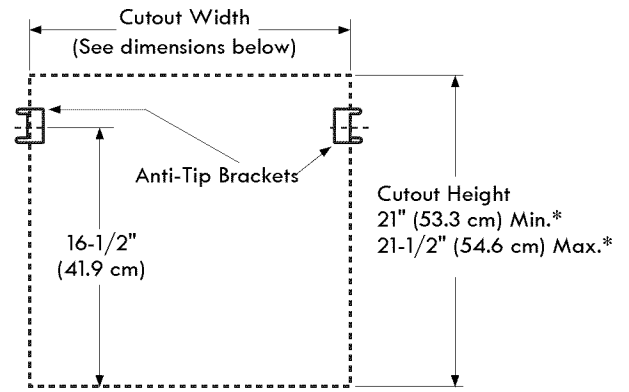


Figure 3

27-INCH Cutout Width

- 25 1/8" (63.8 cm) Min.*
- 25 5/8" (65.1 cm) Max.*
- 25 3/8" (64.5 cm) Recommended*

30-INCH Cutout Width

- 28 1/2" (72.4 cm) Min.*
- 29" (73.7 cm) Max.*
- 28 3/4" (73.0 cm) Recommended*

FINISHED ANTI-TIP BRACKET INSTALLATION

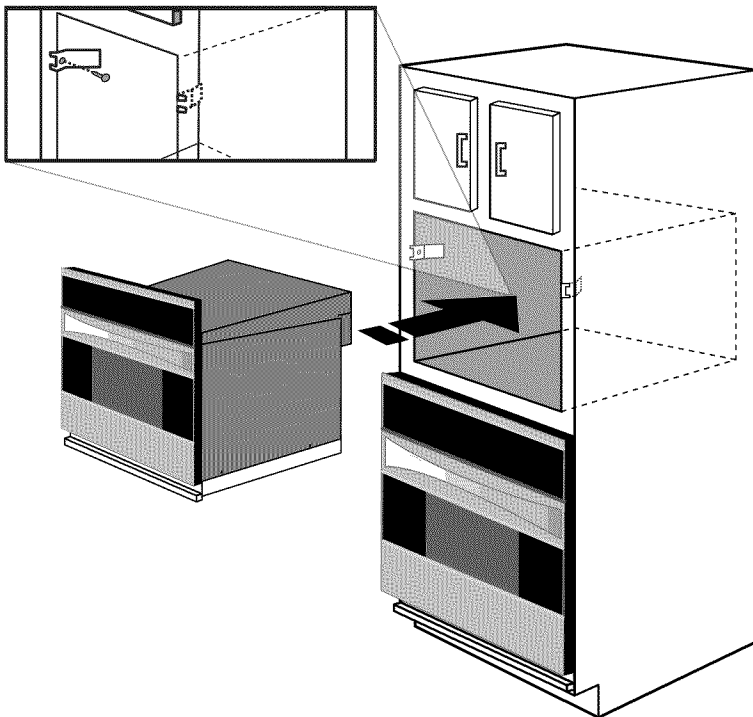


Figure 4

REMOVING OVEN FOR SERVICING

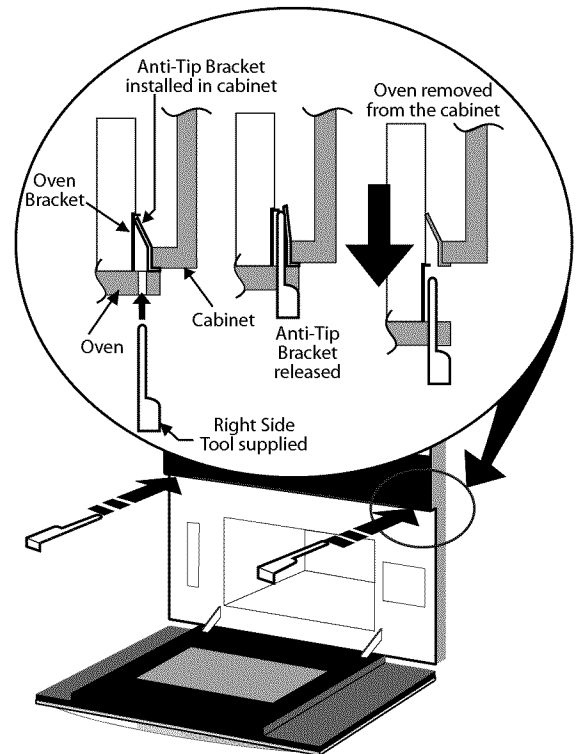


Figure 5

Convection Microwave Oven Installation Instructions

MODEL AND SERIAL NUMBER LOCATION

The serial plate is located on the oven front frame. See Figure 6.

When ordering parts for or making inquiries about your oven, always be sure to include the model and serial numbers and a lot number or letter from the serial plate on your oven.

BEFORE YOU CALL FOR SERVICE

Read the Before You Call for Service Checklist and operating instructions in your **USE AND CARE GUIDE**. It may save you time and expense. The list includes common occurrences that are not the result of defective workmanship or materials in this appliance.

Refer to the warranty in your **USE AND CARE GUIDE** for our service phone number and address. Please call or write if you have inquiries about your product and/or need to order parts.

PRODUCT IDENTIFICATION

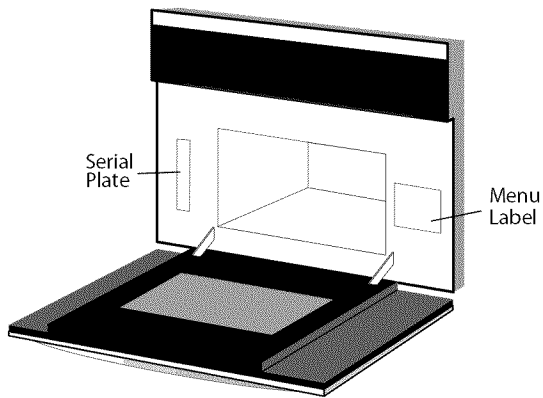


Figure 6