

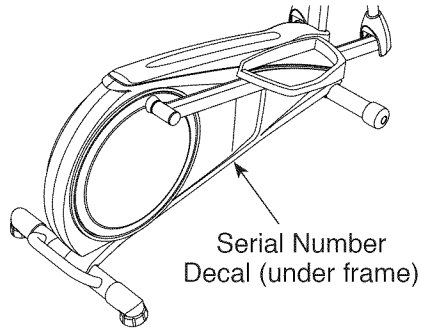
PRO-FORM[®]

395 E

Model No. 831.23953.1

Serial No. _____

Write the serial number in the space above for reference.



- Assembly
- Operation
- Maintenance
- Part List and Drawing

Sears, Roebuck and Co.
Hoffman Estates, IL 60179

CAUTION

Read all precautions and instructions in this manual before using this equipment. Keep this manual for future reference.

ELLIPTICAL EXERCISER

User's Manual

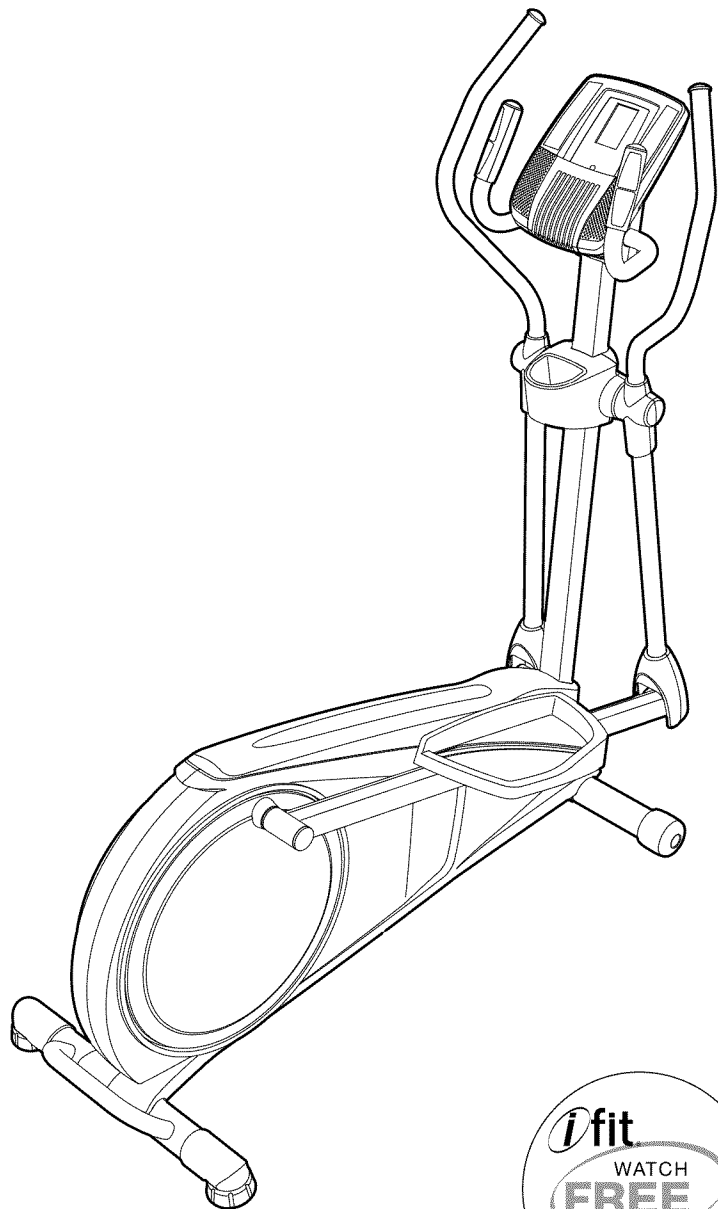
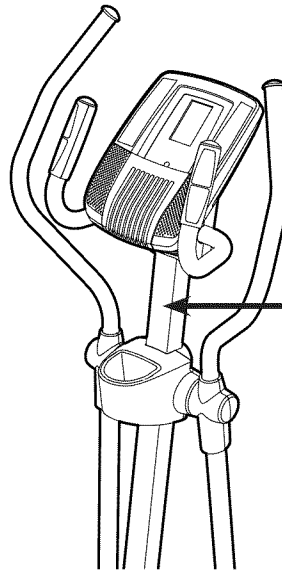


TABLE OF CONTENTS

WARNING DECAL PLACEMENT	2
IMPORTANT PRECAUTIONS.....	3
BEFORE YOU BEGIN.....	4
PART IDENTIFICATION CHART.....	5
ASSEMBLY.....	6
HOW TO USE THE ELLIPTICAL	15
FCC INFORMATION	19
MAINTENANCE AND TROUBLESHOOTING	20
EXERCISE GUIDELINES	22
PART LIST.....	25
EXPLODED DRAWING.....	26
ORDERING REPLACEMENT PARTS.....	Back Cover
90 DAY FULL WARRANTY.....	Back Cover


WARNING DECAL PLACEMENT

This drawing shows the location(s) of the warning decal(s). **If a decal is missing or illegible, call 1-888-533-1333 and request a free replacement decal. Apply the decal in the location shown.** Note: The decal(s) may not be shown at actual size.



WARNING

- Misuse of this machine may result in serious injury.
- Read user's manual prior to use and follow all warnings and instructions.
- Do not allow children on or around machine.
- Pedals continue to spin when you stop pedaling.
- Spinning pedals can cause injury.
- Reduce pedal speed in a controlled manner.
- User weight must not exceed 250 pounds.
- Replace label if damaged, illegible, or removed.



IMPORTANT PRECAUTIONS

⚠️ WARNING: To reduce the risk of serious injury, read all important precautions and instructions in this manual and all warnings on your elliptical before using your elliptical. Sears assumes no responsibility for personal injury or property damage sustained by or through the use of this product.

1. Before beginning any exercise program, consult your physician. This is especially important for persons over age 35 or persons with pre-existing health problems.
2. Use the elliptical only as described in this manual.
3. It is the responsibility of the owner to ensure that all users of the elliptical are adequately informed of all precautions.
4. The elliptical is intended for home use only. Do not use the elliptical in a commercial, rental, or institutional setting.
5. Keep the elliptical indoors, away from moisture and dust. Do not put the elliptical in a garage or covered patio, or near water.
6. Place the elliptical on a level surface, with at least 3 ft. (0.9 m) of clearance in the front and rear of the elliptical and 2 ft. (0.6 m) on each side. To protect the floor or carpet from damage, place a mat under the elliptical.
7. Inspect and properly tighten all parts regularly. Replace any worn parts immediately.
8. Keep children under age 12 and pets away from the elliptical at all times.
9. The elliptical should not be used by persons weighing more than 250 lbs. (113 kg).
10. Wear appropriate clothes while exercising; do not wear loose clothes that could become caught on the elliptical. Always wear athletic shoes for foot protection while exercising.
11. Hold the handlebars or the upper body arms when mounting, dismounting, or using the elliptical.
12. The heart rate monitor is not a medical device. Various factors may affect the accuracy of heart rate readings. The heart rate monitor is intended only as an exercise aid in determining heart rate trends in general.
13. The elliptical does not have a freewheel; the pedals will continue to move until the flywheel stops. Reduce your pedaling speed in a controlled way.
14. Keep your back straight while using the elliptical; do not arch your back.
15. Over exercising may result in serious injury or death. If you feel faint or if you experience pain while exercising, stop immediately and cool down.

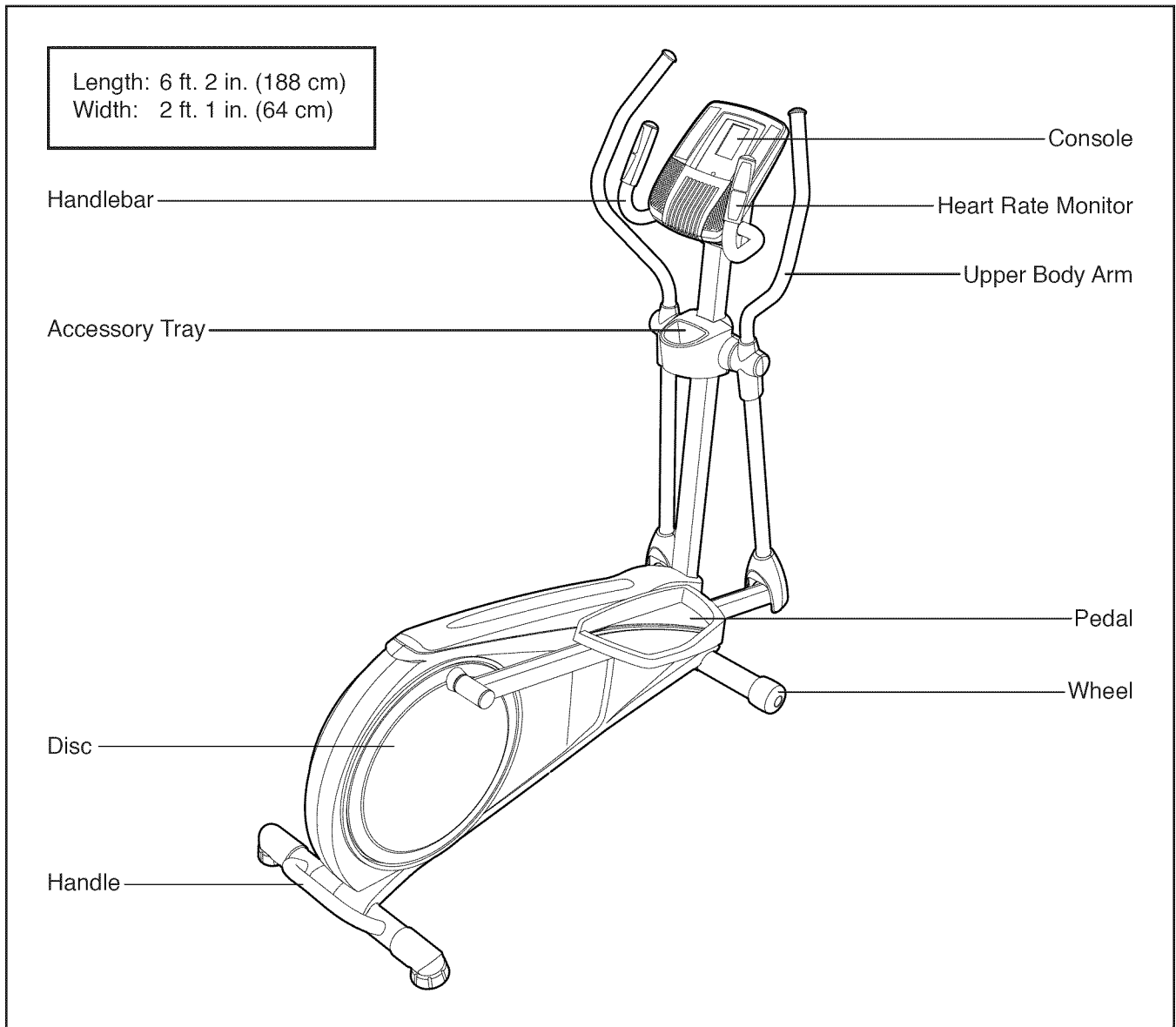
BEFORE YOU BEGIN

Thank you for selecting the revolutionary PROFORM® 395 E elliptical. The 395 E elliptical provides an impressive selection of features designed to make your workouts at home more effective and enjoyable.

For your benefit, read this manual carefully before you use the elliptical. If you have questions after reading this manual, please see the back cover of this

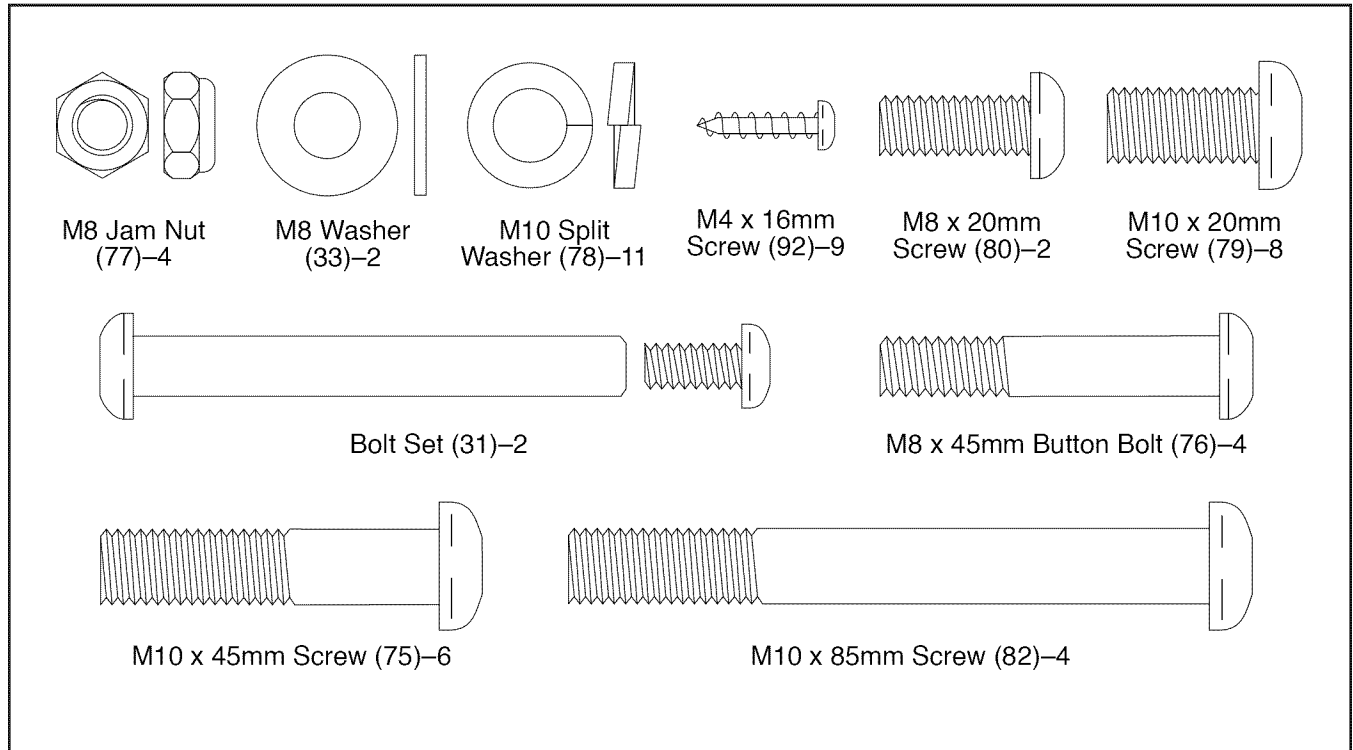
manual. To help us assist you, note the product model number and serial number before contacting us. The model number and the location of the serial number decal are shown on the front cover of this manual.

Before reading further, please familiarize yourself with the parts that are labeled in the drawing below.



PART IDENTIFICATION CHART

Use the drawings below to identify the small parts needed for assembly. The number in parentheses below each drawing is the key number of the part, from the PART LIST near the end of this manual. The number following the key number is the quantity needed for assembly. **Note: If a part is not in the hardware kit, check to see if it has been preassembled. Extra parts may be included. If a part is missing, please call 1-888-533-1333.**

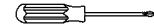


ASSEMBLY

- Assembly requires two persons.
- Place all parts in a cleared area and remove the packing materials. Do not dispose of the packing materials until you complete all assembly steps.
- To identify small parts, see page 5.

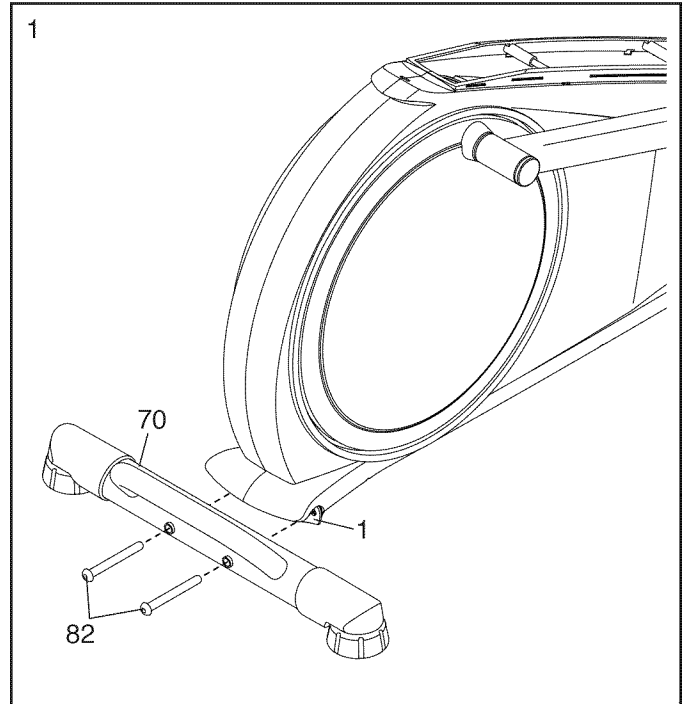
- In addition to the included tool(s), assembly requires the following tools:

one Phillips screwdriver



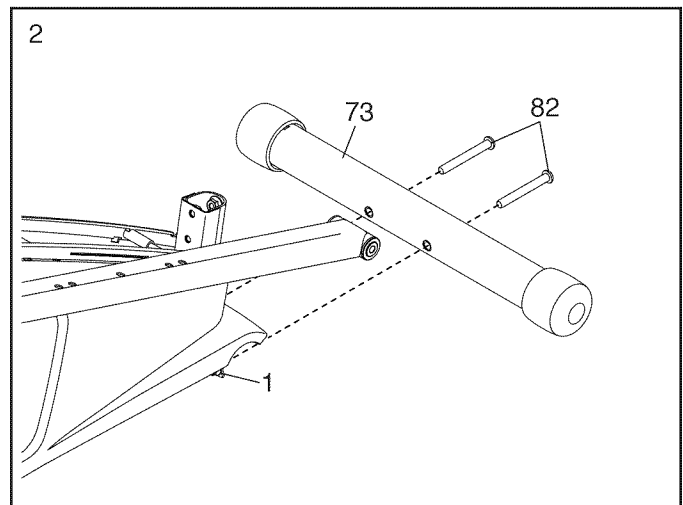
Assembly may be easier if you have your own set of wrenches. To avoid damaging parts, do not use power tools.

1. While a second person lifts the rear of the Frame (1), attach the Rear Stabilizer (70) to the Frame with two M10 x 85mm Screws (82).



2. Orient the Front Stabilizer (73) as indicated by the sticker.

While a second person lifts the front of the Frame (1), attach the Front Stabilizer (73) to the Frame with two M10 x 85mm Screws (82).

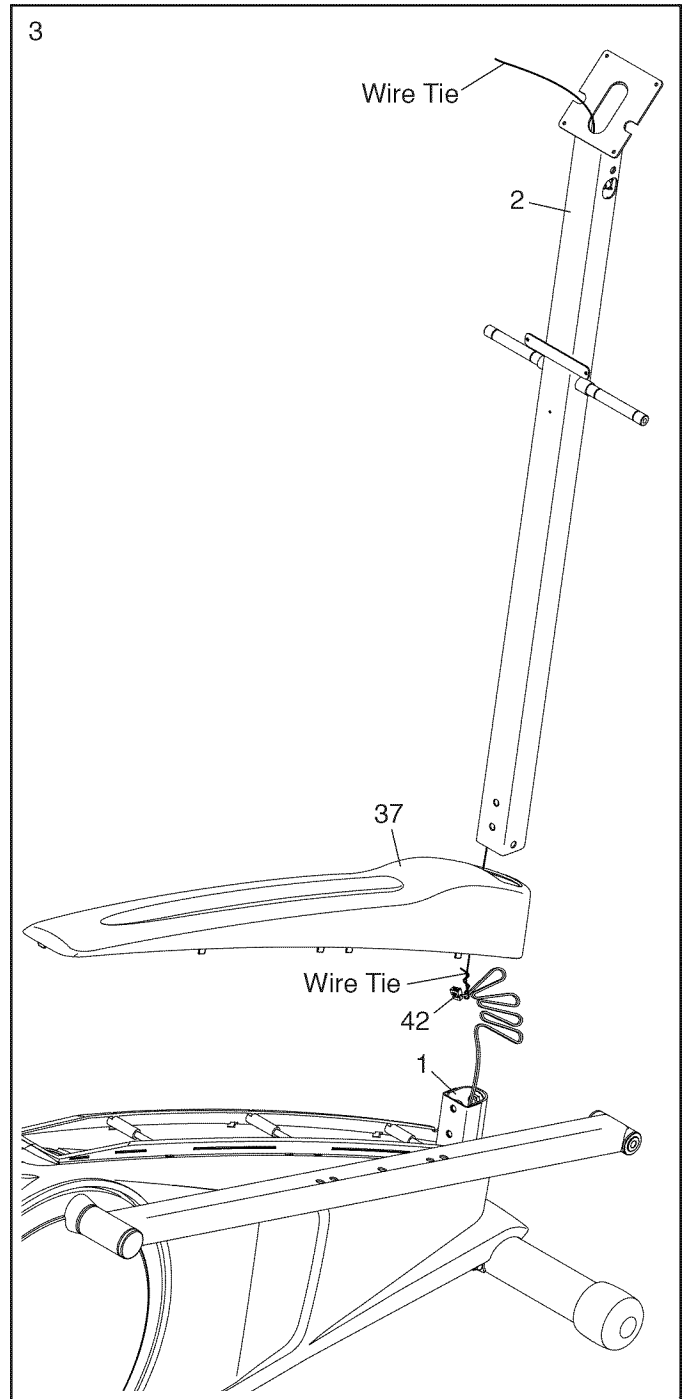


3. Orient the Upright (2) and the Shield Cover (37) as shown. Slide the Shield Cover upward onto the Upright.

Have a second person hold the Upright (2) and the Shield Cover (37) near the Frame (1).

Locate the wire tie in the lower end of the Upright (2). Tie the wire tie to the Main Wire (42). Then, pull the upper end of the wire tie until the Main Wire is routed through the Upright.

Tip: To prevent the Main Wire (42) from falling into the Upright (2), secure the Main Wire with the wire tie.



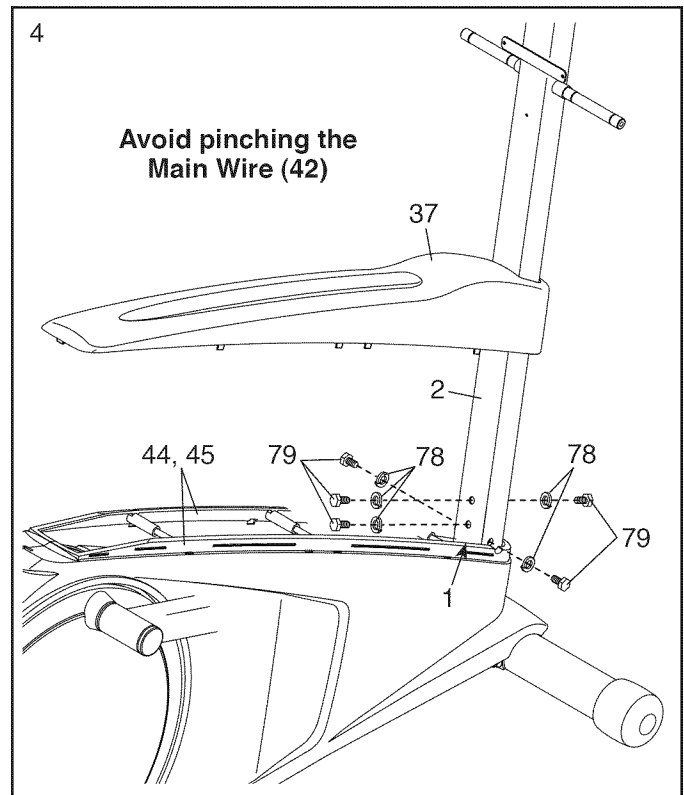
4. **Tip: Avoid pinching the Main Wire (42).** Slide the Upright (2) onto the Frame (1).

Have a second person hold the Shield Cover (37) out of the way.

Attach the Upright (2) with five M10 x 20mm Screws (79) and five M10 Split Washers (78).

Tip: Start all the Screws before fully tightening them.

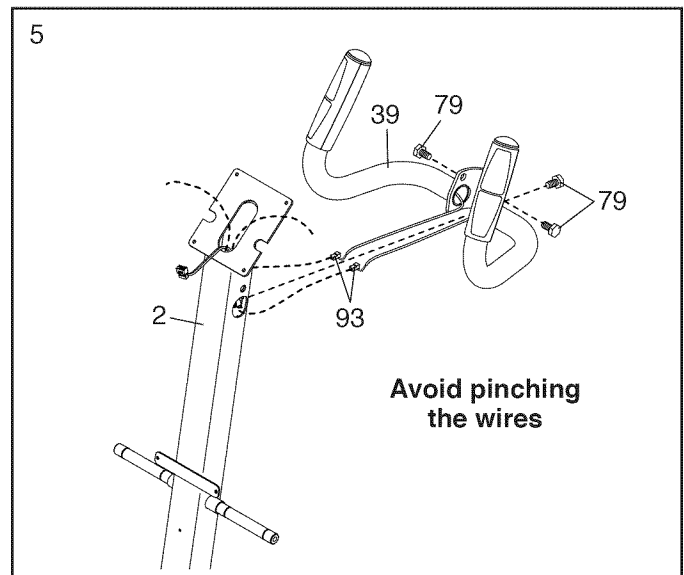
Press the Shield Cover (37) into the Left and Right Shields (44, 45).



5. Orient the Handlebar (39) as shown. Have a second person hold the Handlebar near the Upright (2).

Locate the Sensor Wires (93) in the Handlebar (39). Insert the right Sensor Wire into the right side of the Upright and insert the left Sensor Wire into the left side of the Upright. Pull the Sensor Wires upward out of the top of the Upright.

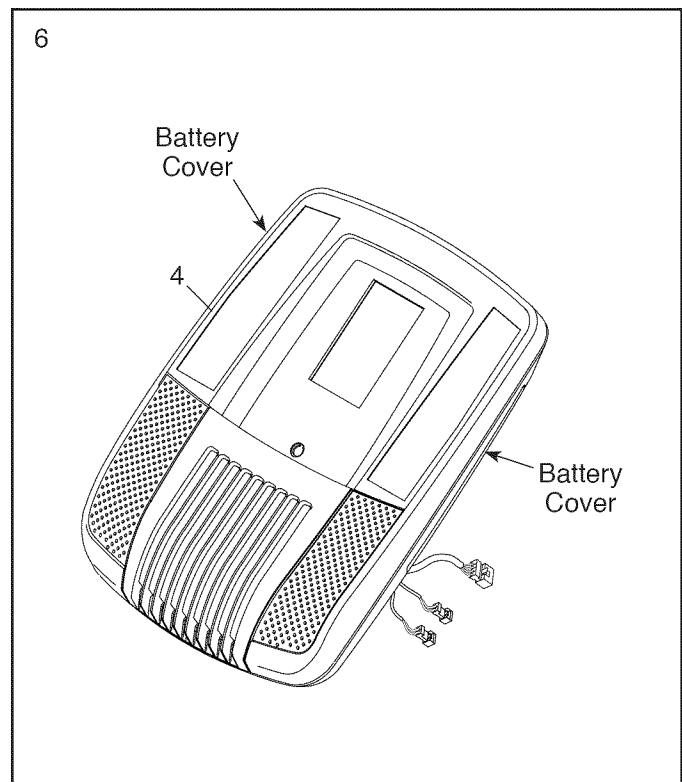
Tip: Avoid pinching the wires. Attach the Handlebar (39) to the Upright (2) with three M10 x 20mm Screws (79).



6. The Console (4) can use four D batteries (not included); alkaline batteries are recommended. **IMPORTANT: If the Console has been exposed to cold temperatures, allow it to warm to room temperature before inserting batteries. Otherwise, you may damage the console displays or other electronic components.**

Remove the battery covers from the back of the Console (4), and insert batteries into the battery compartments. **Make sure to orient the batteries as shown by the diagrams inside the battery compartments.** Then, reattach the battery covers.

To purchase an optional power adapter, call the telephone number on the cover of this manual. To avoid damaging the console, use only a manufacturer-supplied power adapter. Plug one end of the power adapter into the receptacle on the console; plug the other end into an outlet installed in accordance with all local codes and ordinances.

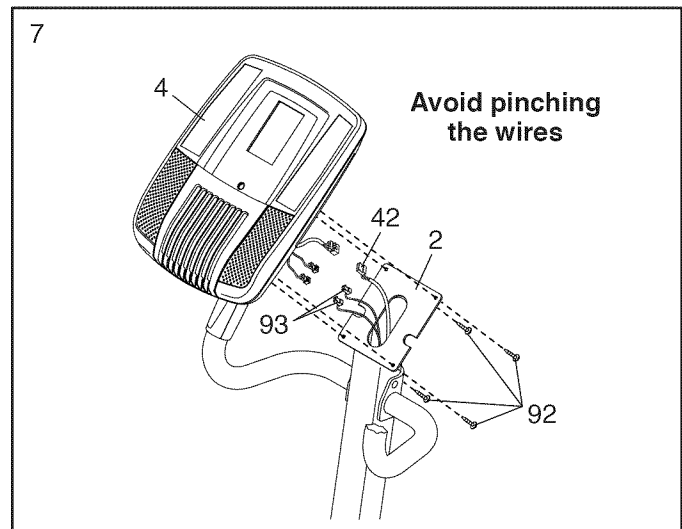


7. Untie and discard the wire tie on the Main Wire (42).

While a second person holds the Console (4) near the Upright (2), connect the wires on the Console to the Main Wire (42) and to the Sensor Wires (93).

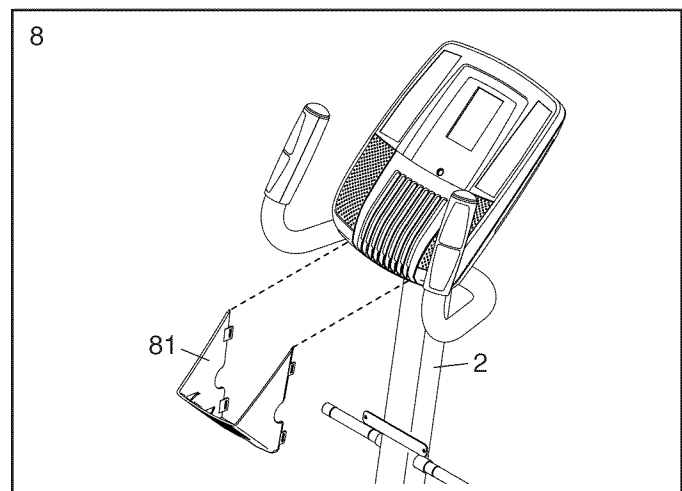
Insert the excess wire into the Upright (2) or into the Console (4).

Tip: Avoid pinching the wires. Attach the Console (4) to the Upright (2) with four M4 x 16mm Screws (92).



8. Orient the Rear Console Cover (81) as shown.

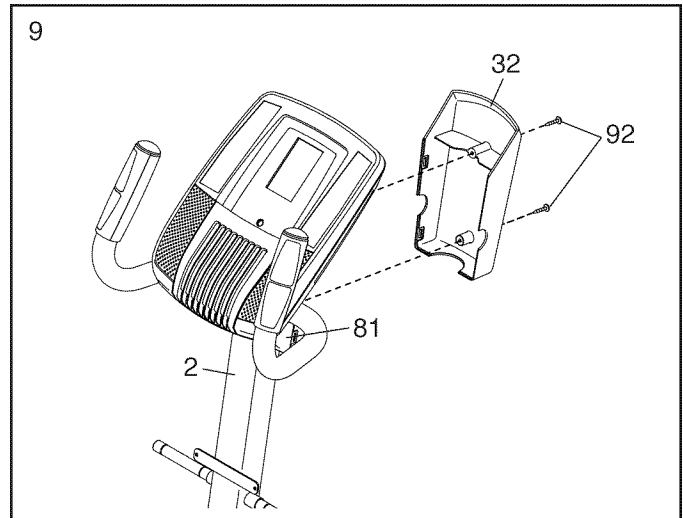
Have a second person hold the Rear Console Cover (81) against the Upright (2) until you complete step 9.



9. Orient the Front Console Cover (32) as shown.

Attach the Rear Console Cover (81) around the Upright (2) by pressing the hooks on the Rear Console Cover into the tabs on the Front Console Cover (32).

Attach the Front Console Cover (32) to the Upright (2) with two M4 x 16mm Screws (92).

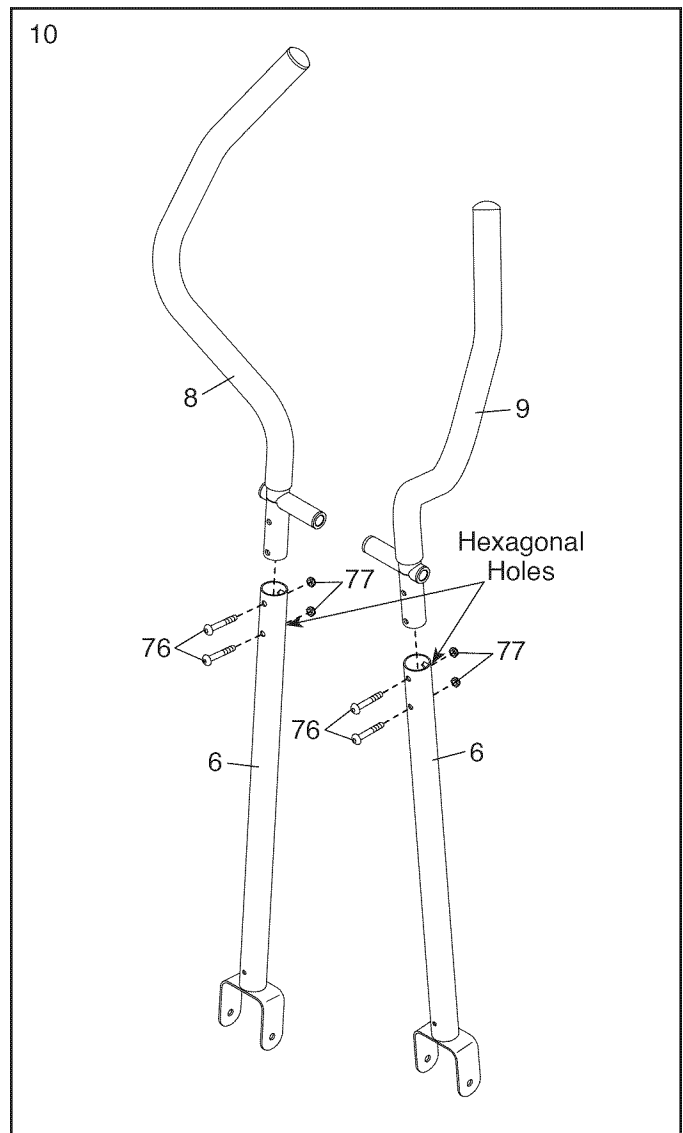


10. Identify the Right Upper Body Arm (9), which is marked with an "R" sticker.

Orient the Right Upper Body Arm (9) and an Upper Body Leg (6) as shown. Insert the Right Upper Body Arm into the Upper Body Leg.

Attach the Right Upper Body Arm (9) to the Upper Body Leg (6) with two M8 x 45mm Button Bolts (76) and two M8 Jam Nuts (77). **Make sure that the Jam Nuts are inside the hexagonal holes. Do not fully tighten the Button Bolts yet.**

Assemble the Left Upper Body Arm (8) and the other Upper Body Leg (6) in the same way.

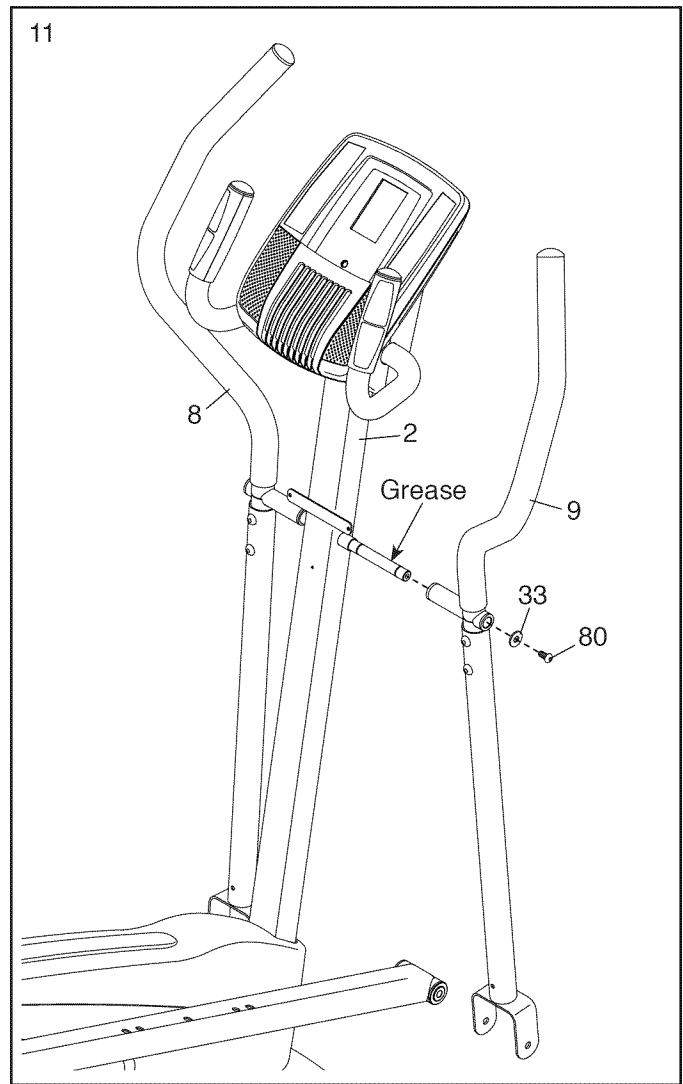


11. Using a small plastic bag to keep your fingers clean, apply a generous amount of the included grease to the axle on the right side of the Upright (2).

Slide the Right Upper Body Arm (9) onto the Upright (2).

Attach the Right Upper Body Arm (9) with an M8 x 20mm Screw (80) and an M8 Washer (33).

Repeat this step on the other side of the elliptical.



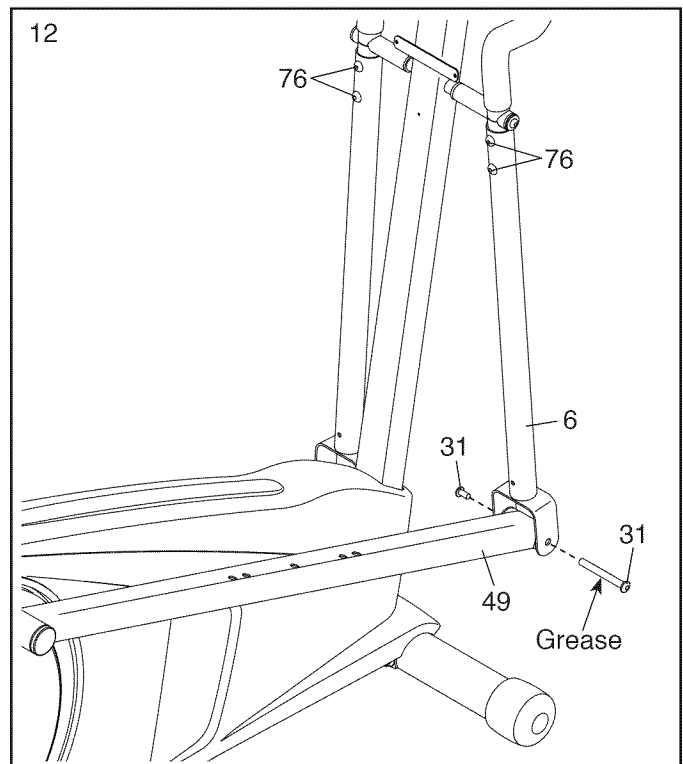
12. Apply a small amount of grease to a Bolt Set (31).

Hold the end of the Right Pedal Arm (49) inside the bracket on the right Upper Body Leg (6).

Attach the right Upper Body Leg (6) to the Right Pedal Arm (49) with the Bolt Set (31).

Repeat this step on the other side of the elliptical.

Tighten the M8 x 45mm Button Bolts (76).

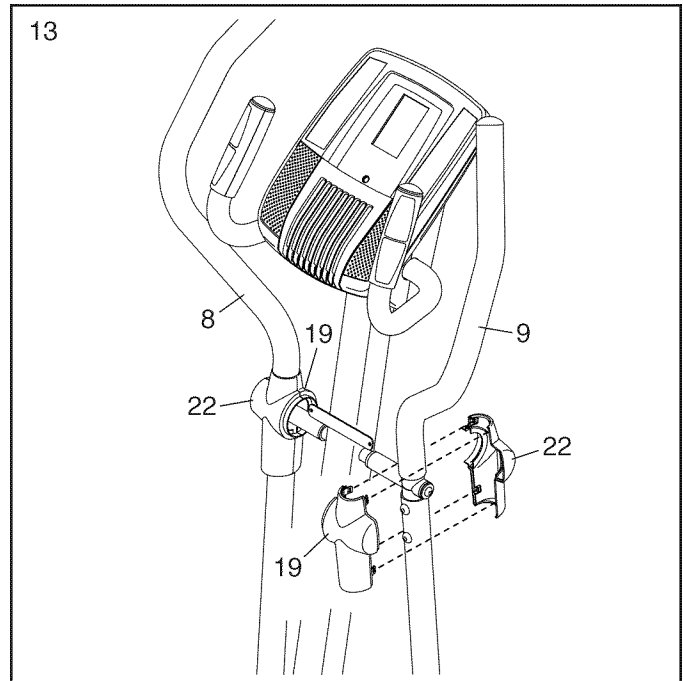


13. Identify a Pivot Cover A (19), which has hooks, and a Pivot Cover B (22), which has tabs.

Attach a Pivot Cover A (19) and a Pivot Cover B (22) around the Right Upper Body Arm (9) by pressing the hooks on the Pivot Cover A onto the tabs on the Pivot Cover B.

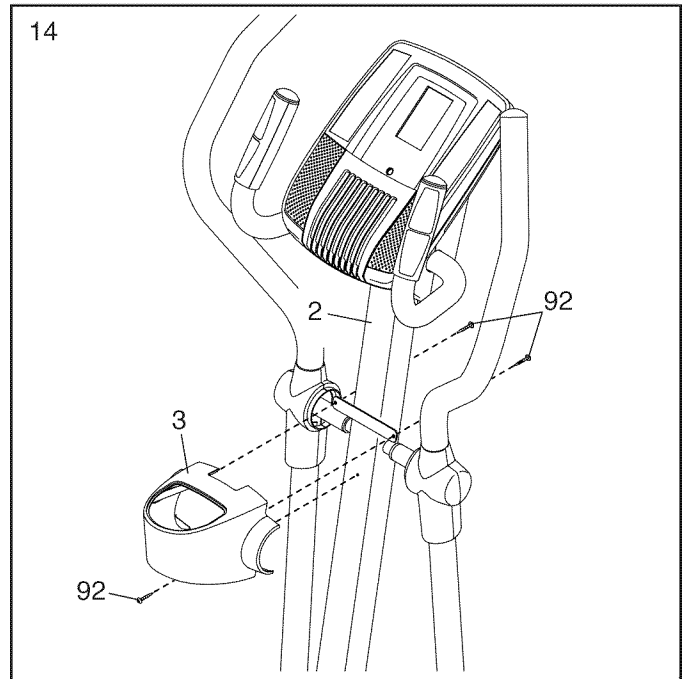
Repeat this step on the other side of the elliptical.

Tip: Make sure that the Pivot Covers (19, 22) are positioned as shown.



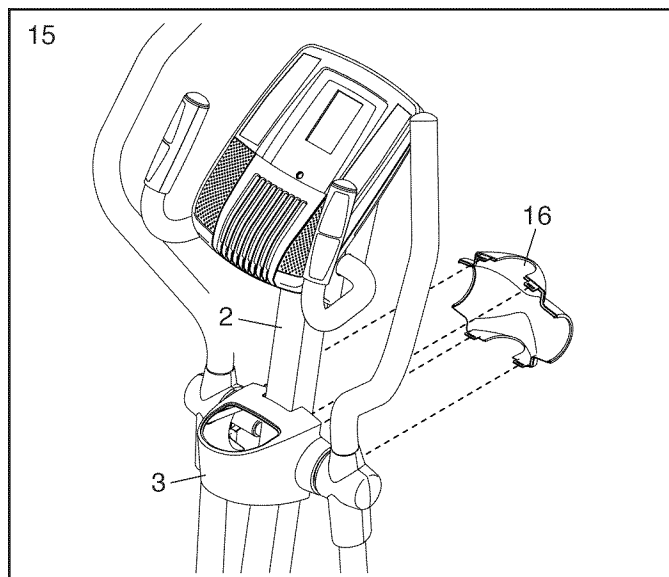
14. Orient the Rear Upright Cover (3) as shown.

Attach the Rear Upright Cover (3) to the Upright (2) with three M4 x 16mm Screws (92).

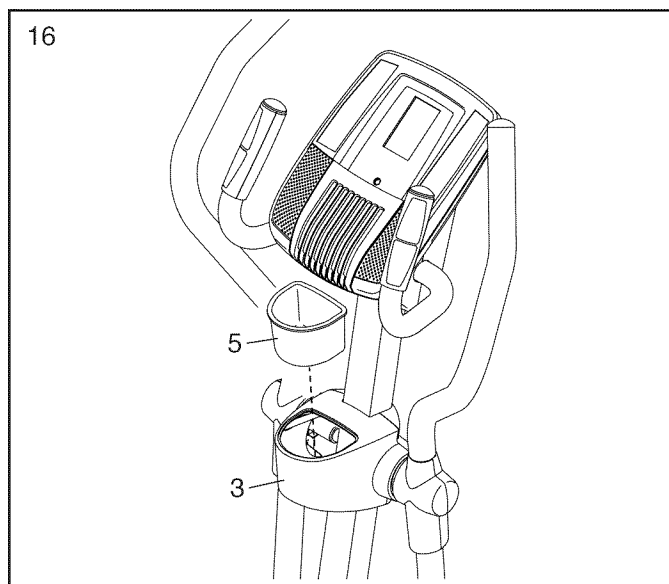


15. Orient the Front Upright Cover (16) as shown.

Attach the Front Upright Cover (16) around the Upright (2) by pressing the hooks on the Front Upright Cover onto the tabs on the Rear Upright Cover (3).

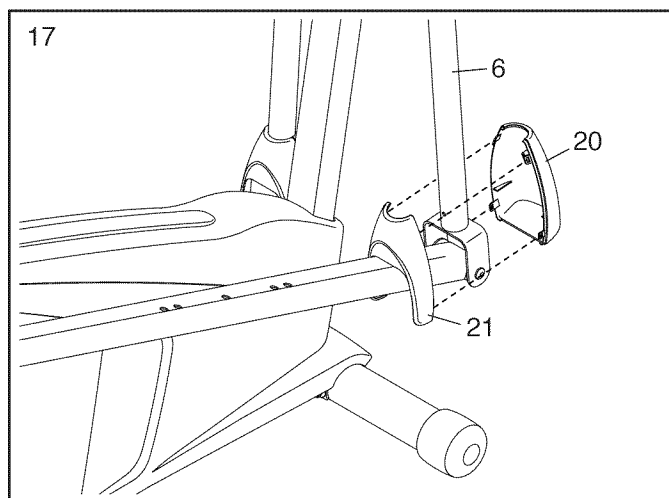


16. Insert the Accessory Tray (5) into the Rear Upright Cover (3).



17. Attach a Front Leg Cover (20) and a Rear Leg Cover (21) around the right Upper Body Leg (6) by pressing the hooks on the Front Leg Cover onto the tabs on the Rear Leg Cover.

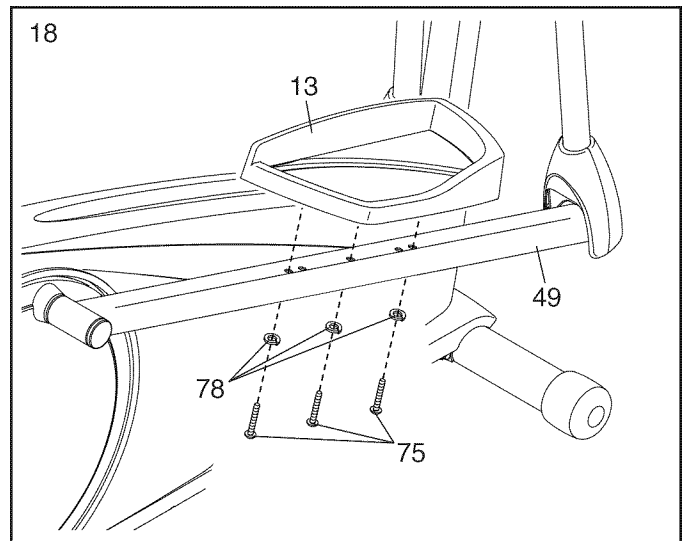
Repeat this step on the other side of the elliptical.



18. Identify the Right Pedal (13), which is marked with a "Right" sticker, and orient it as shown.

Attach the Right Pedal (13) to the Right Pedal Arm (49) with three M10 x 45mm Screws (75) and three M10 Split Washers (78). **Make sure to use the center hole and the two outer holes to attach the Right Pedal.**

Repeat this step on the other side of the elliptical.

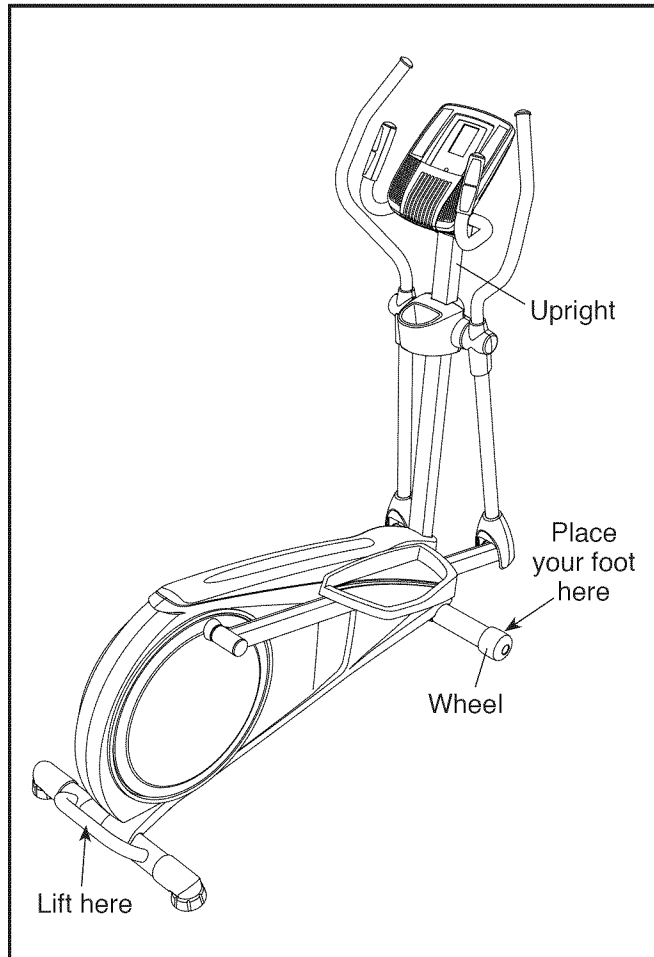


19. **Make sure that all parts of the elliptical are properly tightened.** Note: Some hardware may be left over after assembly is completed. To protect the floor or carpet from damage, place a mat under the elliptical.

HOW TO USE THE ELLIPTICAL

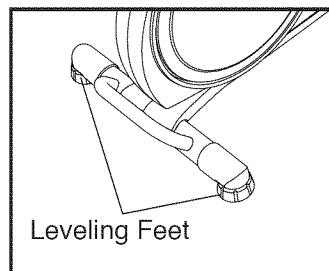
HOW TO MOVE THE ELLIPTICAL

Due to the size and weight of the elliptical, moving it requires two persons. Stand in front of the elliptical, hold the upright, and place one foot against one of the front wheels. Pull on the upright and have a second person lift the handle on the rear stabilizer until the elliptical will roll on the wheels. Carefully move the elliptical to the desired location, and then lower it to the floor.



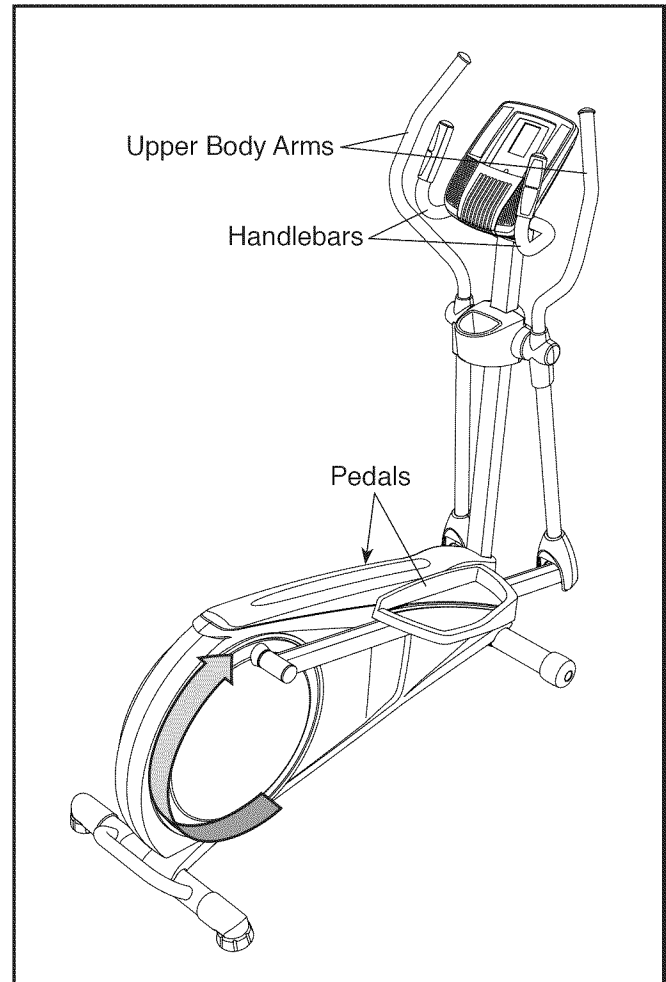
HOW TO LEVEL THE ELLIPTICAL

If the elliptical rocks slightly on your floor during use, turn one or both of the leveling feet beneath the rear stabilizer until the rocking motion is eliminated.



HOW TO EXERCISE ON THE ELLIPTICAL

To mount the elliptical, hold the handlebars or the upper body arms and step onto the pedal that is in the lowest position. Then, step onto the other pedal.



Push the pedals until they begin to move with a continuous motion. **Note: The pedal discs can turn in either direction. It is recommended that you move the pedal discs in the direction shown by the arrow; however, for variety, you can turn the pedal discs in the opposite direction.**

To dismount the elliptical, wait until the pedals come to a complete stop. **Note: The elliptical does not have a free wheel; the pedals will continue to move until the flywheel stops.** When the pedals are stationary, step off the highest pedal first. Then, step off the lowest pedal.

CONSOLE DIAGRAM



FEATURES OF THE CONSOLE

The advanced console offers an array of features designed to make your workouts more effective and enjoyable.

When you use the manual mode of the console, you can change the resistance of the pedals with the touch of a button. As you exercise, the console will provide continuous exercise feedback. You can even measure your heart rate using the handgrip heart rate monitor.

The console offers sixteen preset workouts—eight weight loss and eight performance workouts. Each preset workout automatically changes the resistance of the pedals as it guides you through an effective workout.

You can even connect your MP3 player or CD player to the console sound system and listen to your favorite music or audio books while you exercise.

To use the manual mode, see page 17. **To use a preset workout**, see page 18. **To use the sound system**, see page 19.

Note: If there is a sheet of plastic on the display, remove the plastic.

HOW TO USE THE MANUAL MODE

1. Turn on the console.

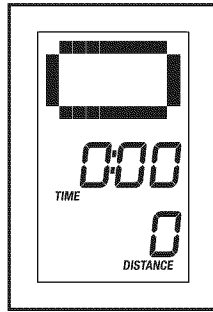
Press any button or begin pedaling to turn on the console.

When you turn on the console, the display will light. A tone will sound and the console will be ready for use.

2. Select the manual mode.

When you turn on the console, the manual mode will be selected automatically.

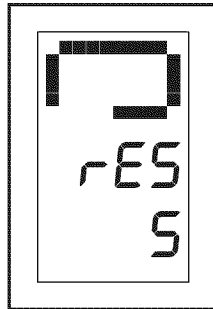
If you have selected a workout, reselect the manual mode by pressing the 8 Wt. Loss Workouts button or the 8 Perform. Workouts button repeatedly until a track appears in the upper display.



3. Begin pedaling and change the resistance of the pedals as desired.

As you pedal, change the resistance of the pedals by pressing the Resistance increase and decrease buttons.

Note: After you press the buttons, it will take a moment for the pedals to reach the selected resistance level.



4. Follow your progress with the display.

The display can show the following workout information:

Calories—This display mode will show the approximate number of calories you have burned.

Distance—This display mode will show the distance that you have pedaled in revolutions.

Profile—When a workout is selected, this display mode will show a profile of the resistance settings of the workout.

Pulse—This display mode will show your heart rate when you use the handgrip heart rate monitor (see step 5 on page 18).

Resistance (Res)—This display mode will show the resistance level of the pedals for a few seconds each time the resistance level changes.

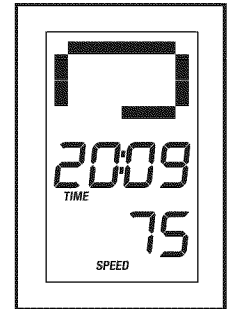
Speed—This display mode will show your pedaling speed in revolutions per minute.

Time—When the manual mode is selected, this display mode will show the elapsed time. When a workout is selected, this display mode will show the time remaining in the workout.

Track—When the manual mode is selected, this display mode will show a track representing 1/4 mile (400 m). As you exercise, indicators will appear in succession around the track until the entire track appears. The track will then disappear and the indicators will again begin to appear in succession.

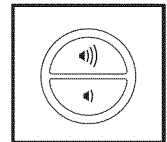
Press the Display Mode button repeatedly to view the desired workout information.

When the word SCAN appears in the display, the display will show the calories, distance, speed, and time display modes in a repeating cycle.



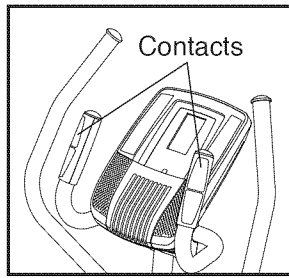
To reset the display to zero, press the On/Reset button.

Change the volume level of the console by pressing the Volume increase and decrease buttons.



5. Measure your heart rate if desired.

If there are sheets of plastic on the metal contacts on the handgrip heart rate monitor, remove the plastic. In addition, make sure that your hands are clean. To measure your heart rate, hold the handgrip heart rate monitor with your palms resting against the contacts. **Avoid moving your hands or gripping the contacts tightly.**

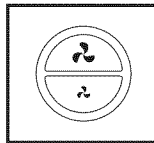


When your pulse is detected, a heart-shaped symbol will flash in the display and then your heart rate will be shown. For the most accurate heart rate reading, hold the contacts for at least 15 seconds.

If your heart rate is not shown, make sure that your hands are positioned as described. Be careful not to move your hands excessively or to squeeze the contacts tightly. For optimal performance, clean the contacts using a soft cloth; **never use alcohol, abrasives, or chemicals to clean the contacts.**

6. Turn on the fan if desired.

The fan has high and low speed settings. Press the Fan increase and decrease buttons repeatedly to select a fan speed or to turn off the fan.



Note: If the pedals do not move for about thirty seconds, the fan will turn off automatically.

7. When you are finished exercising, the console will turn off automatically.

If the pedals do not move for several seconds, a series of tones will sound, the console will pause, and the time will flash in the display.

If the pedals do not move for several minutes, the console will turn off and the display will be reset.

HOW TO USE A PRESET WORKOUT

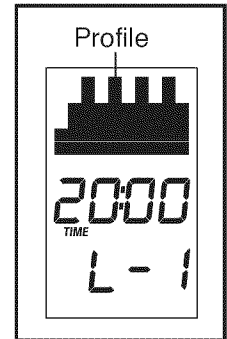
1. Turn on the console.

Press any button or begin pedaling to turn on the console.

When you turn on the console, the display will light. A tone will sound and the console will be ready for use.

2. Select a preset workout.

To select a preset workout, press the 8 Wt. Loss Workouts button or the 8 Perform. Workouts button repeatedly until the number of the desired workout appears in the lower display.



When you select a preset workout, a profile of the resistance levels of the workout will scroll across the upper display, the duration of the workout will appear in the center display, and the number of the workout will appear in the lower display.

3. Begin pedaling to start the workout.

Each workout is divided into several one-minute segments. One resistance level is programmed for each segment. Note: The same resistance level may be programmed for consecutive segments.

During the workout, the workout profile will show your progress (see the drawing above). The flashing segment of the profile represents the current segment of the workout. The height of the flashing segment indicates the resistance level for the current segment.

At the end of each segment of the workout, a series of tones will sound and the next segment of the profile will begin to flash. If a different resistance level is programmed for the next segment, the resistance level will flash in the display for a few seconds to alert you. The resistance of the pedals will then change.

If the resistance level for the current segment is too high or too low, you can manually override the setting by pressing the Resistance buttons. However, when the current segment ends, the pedals will automatically adjust to the resistance level for the next segment.

If you stop pedaling for several seconds, a series of tones will sound and the workout will pause.

To resume the workout, simply resume pedaling. The workout will continue until the last segment of the profile flashes and the last segment of the workout ends.

4. Follow your progress with the display.

See step 4 on page 17.

5. Measure your heart rate if desired.

See step 5 on page 18.

6. Turn on the fan if desired.

See step 6 on page 18.

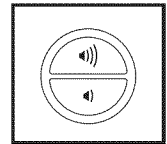
7. When you are finished exercising, the console will turn off automatically.

See step 7 on page 18.

HOW TO USE THE SOUND SYSTEM

To play music or audio books through the console sound system while you exercise, plug the included audio cable into the jack on the console and into a jack on your MP3 player or CD player; **make sure that the audio cable is fully plugged in.**

Next, press the play button on your MP3 player or CD player. Adjust the volume level using the Volume increase and decrease buttons on the console or the volume control on your MP3 player or CD player.



FCC INFORMATION

This equipment has been tested and found to comply with the limits for a Class B digital device, pursuant to part 15 of the FCC Rules. These limits are designed to provide reasonable protection against harmful interference in a residential installation. This equipment generates, uses, and can radiate radio frequency energy and, if not installed and used in accordance with the instructions, may cause harmful interference to radio communications. However, there is no guarantee that interference will not occur in a particular installation. If this equipment does cause harmful interference to radio or television reception, which can be determined by turning the equipment off and on, the user is encouraged to try to correct the interference by one or more of the following measures:

- Reorient or relocate the receiving antenna.
- Increase the separation between the equipment and the receiver.
- Connect the equipment into an outlet on a circuit different from that to which the receiver is connected.
- Consult the dealer or an experienced radio/TV technician for help.

WARNING: Per FCC rules, changes or modifications not expressly approved by ICON could void the user's authority to operate the equipment.

MAINTENANCE AND TROUBLESHOOTING

Inspect and tighten all parts of the elliptical regularly. Replace any worn parts immediately.

To clean the elliptical, use a damp cloth and a small amount of mild soap. **IMPORTANT: To avoid damage to the console, keep liquids away from the console and keep the console out of direct sunlight.**

CONSOLE TROUBLESHOOTING

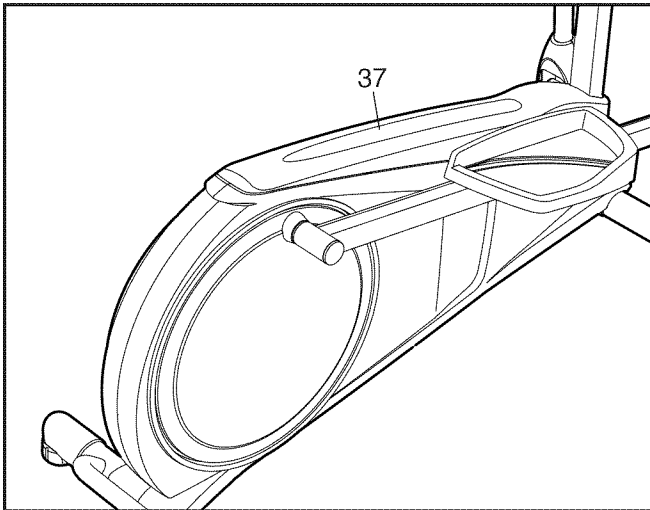
If the console display becomes dim, replace all the batteries at the same time; most console problems are the result of low batteries. See assembly step 6 on page 9 for replacement instructions.

If the console does not display your heart rate when you use the handgrip heart rate monitor, see step 5 on page 18.

HOW TO ADJUST THE REED SWITCH

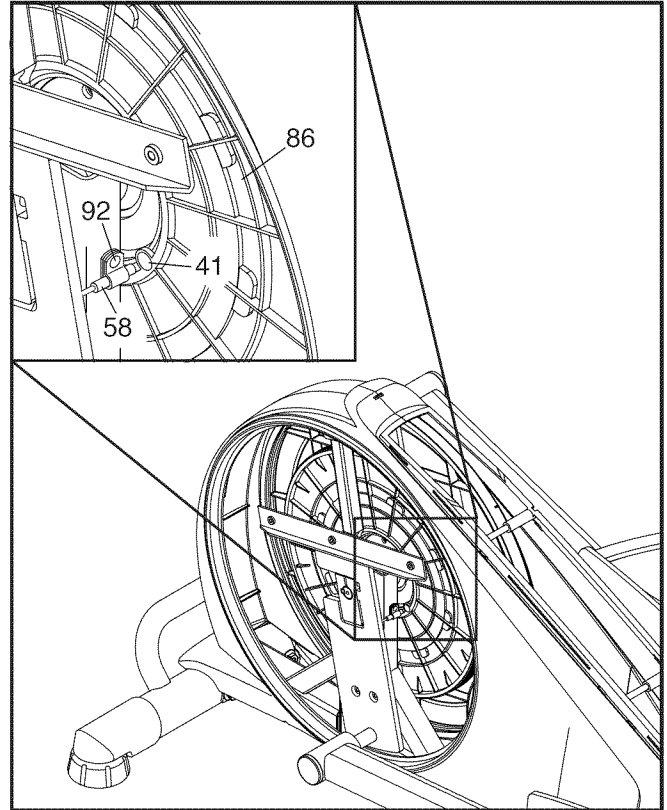
If the console does not display correct feedback, the reed switch should be adjusted.

To adjust the reed switch, you must first remove the Shield Cover (37). Using a flat screwdriver, release the tabs along the sides of the Shield Cover and then remove the Shield Cover.



Note: For clarity, the pedal disc is shown removed in the drawing below.

Next, locate the Reed Switch (58). Loosen, but do not remove, the M4 x 16mm Screw (92).



Next, rotate the Pulley (86) until a Magnet (41) is aligned with the Reed Switch (58). Slide the Reed Switch slightly toward or away from the Magnet. Then, retighten the M4 x 16mm Screw (92).

Rotate the Pulley (86) for a moment. Repeat these actions until the console displays correct feedback.

When the reed switch is correctly adjusted, reattach the shield cover.

HOW TO ADJUST THE DRIVE BELT

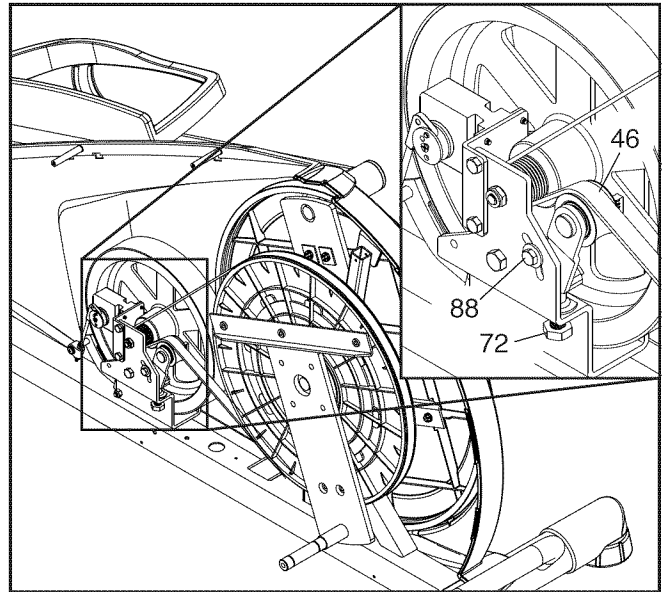
If you can feel the pedals slip while you are pedaling, even when the resistance is adjusted to the highest level, the drive belt may need to be adjusted.

To adjust the drive belt, you must remove the shield cover and the left shield (see the instructions below).

See EXPLODED DRAWING B on page 27. Using a flat screwdriver, release the tabs along the sides of the Shield Cover (37), and then remove the Shield Cover.

Next, remove the M4 x 16mm Screws (92) and the M4 x 12mm Self-tapping Screws (97) from the Left and Right Shields (44, 45). **Make sure to note which size of Screw you remove from each hole.** Then, gently remove the Left Shield.

Loosen the Pivot Screw (88). Then, tighten the Drive Belt Adjustment Screw (72) until the Drive Belt (46) is tight.



When the Drive Belt (46) is tight, tighten the Pivot Screw (88).

Then, reattach the left shield and the shield cover.

EXERCISE GUIDELINES

⚠️ WARNING: Before beginning this or any exercise program, consult your physician. This is especially important for persons over age 35 or persons with pre-existing health problems.

The heart rate monitor is not a medical device. Various factors may affect the accuracy of heart rate readings. The heart rate monitor is intended only as an exercise aid in determining heart rate trends in general.

These guidelines will help you to plan your exercise program. For detailed exercise information, obtain a reputable book or consult your physician. Remember, proper nutrition and adequate rest are essential for successful results.

EXERCISE INTENSITY

Whether your goal is to burn fat or to strengthen your cardiovascular system, exercising at the proper intensity is the key to achieving results. You can use your heart rate as a guide to find the proper intensity level. The chart below shows recommended heart rates for fat burning and aerobic exercise.

165	155	145	140	130	125	115	♥
145	138	130	125	118	110	103	♥
125	120	115	110	105	95	90	♥
<hr/>							
20	30	40	50	60	70	80	

To find the proper intensity level, find your age at the bottom of the chart (ages are rounded off to the nearest ten years). The three numbers listed above your age define your “training zone.” The lowest number is the heart rate for fat burning, the middle number is the heart rate for maximum fat burning, and the highest number is the heart rate for aerobic exercise.

Burning Fat—To burn fat effectively, you must exercise at a low intensity level for a sustained period of time. During the first few minutes of exercise, your body uses carbohydrate calories for energy. Only after the first few minutes of exercise does your body begin to use stored fat calories for energy. If your goal is to burn fat, adjust the intensity of your exercise until your heart rate is near the lowest number in your training zone. For maximum fat burning, exercise with your heart rate near the middle number in your training zone.

Aerobic Exercise—If your goal is to strengthen your cardiovascular system, you must perform aerobic exercise, which is activity that requires large amounts of oxygen for prolonged periods of time. For aerobic exercise, adjust the intensity of your exercise until your heart rate is near the highest number in your training zone.

WORKOUT GUIDELINES

Warming Up—Start with 5 to 10 minutes of stretching and light exercise. A warm-up increases your body temperature, heart rate, and circulation in preparation for exercise.

Training Zone Exercise—Exercise for 20 to 30 minutes with your heart rate in your training zone. (During the first few weeks of your exercise program, do not keep your heart rate in your training zone for longer than 20 minutes.) Breathe regularly and deeply as you exercise—never hold your breath.

Cooling Down—Finish with 5 to 10 minutes of stretching. Stretching increases the flexibility of your muscles and helps to prevent post-exercise problems.

EXERCISE FREQUENCY

To maintain or improve your condition, complete three workouts each week, with at least one day of rest between workouts. After a few months of regular exercise, you may complete up to five workouts each week, if desired. Remember, the key to success is to make exercise a regular and enjoyable part of your everyday life.

SUGGESTED STRETCHES

The correct form for several basic stretches is shown at the right. Move slowly as you stretch—never bounce.

1. Toe Touch Stretch

Stand with your knees bent slightly and slowly bend forward from your hips. Allow your back and shoulders to relax as you reach down toward your toes as far as possible. Hold for 15 counts, then relax. Repeat 3 times. Stretches: Hamstrings, back of knees and back.

2. Hamstring Stretch

Sit with one leg extended. Bring the sole of the opposite foot toward you and rest it against the inner thigh of your extended leg. Reach toward your toes as far as possible. Hold for 15 counts, then relax. Repeat 3 times for each leg. Stretches: Hamstrings, lower back and groin.

3. Calf/Achilles Stretch

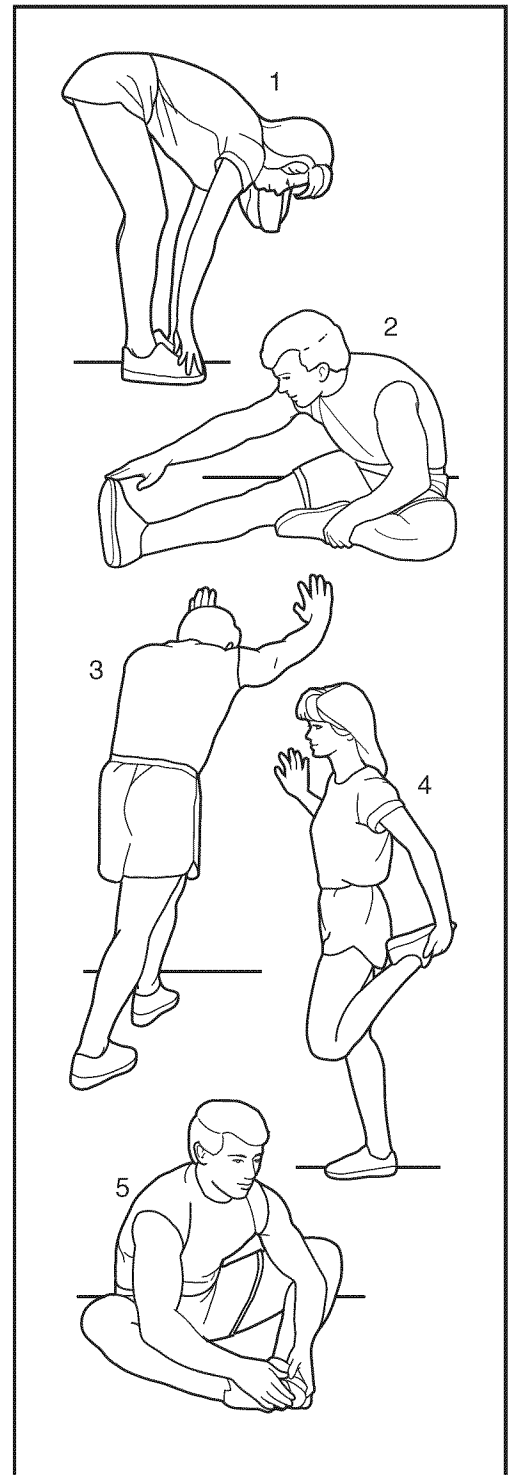
With one leg in front of the other, reach forward and place your hands against a wall. Keep your back leg straight and your back foot flat on the floor. Bend your front leg, lean forward and move your hips toward the wall. Hold for 15 counts, then relax. Repeat 3 times for each leg. To cause further stretching of the achilles tendons, bend your back leg as well. Stretches: Calves, achilles tendons and ankles.

4. Quadriceps Stretch

With one hand against a wall for balance, reach back and grasp one foot with your other hand. Bring your heel as close to your buttocks as possible. Hold for 15 counts, then relax. Repeat 3 times for each leg. Stretches: Quadriceps and hip muscles.

5. Inner Thigh Stretch

Sit with the soles of your feet together and your knees outward. Pull your feet toward your groin area as far as possible. Hold for 15 counts, then relax. Repeat 3 times. Stretches: Quadriceps and hip muscles.



NOTES

PART LIST

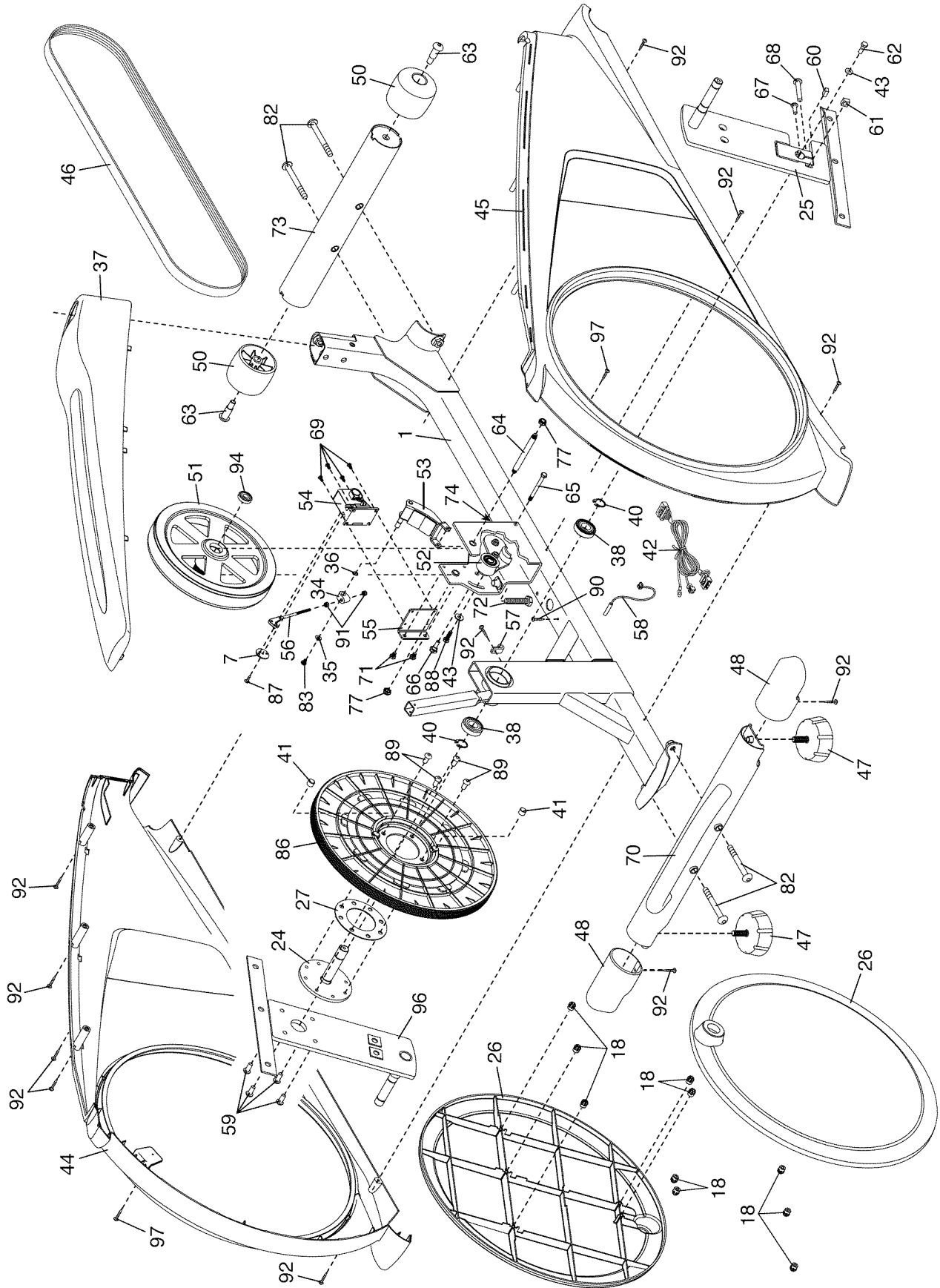
Model No. 831.23953.1 R0811C

Key No.	Qty.	Description	Key No.	Qty.	Description
1	1	Frame	51	1	Flywheel
2	1	Upright	52	1	Idler
3	1	Rear Upright Cover	53	1	C-magnet
4	1	Console	54	1	Resistance Motor
5	1	Accessory Tray	55	1	Motor Bracket
6	2	Upper Body Leg	56	1	Adjustment Arm
7	1	Resistance Wheel	57	1	Reed Switch Clamp
8	1	Left Upper Body Arm	58	1	Reed Switch/Wire
9	1	Right Upper Body Arm	59	4	M8 x 10mm Screw
10	2	Foam Grip	60	1	Key
11	2	Upper Body Arm Cap	61	1	M8 Locknut
12	1	Left Pedal	62	1	M6 x 16mm Screw
13	1	Right Pedal	63	2	Shoulder Screw
14	1	Left Pedal Arm	64	1	Flywheel Axle
15	2	Pedal Bracket	65	1	C-magnet Bolt
16	1	Front Upright Cover	66	1	Idler Bolt
17	4	Pivot Bushing	67	1	Key Screw
18	10	Pedal Disc Mount	68	1	Crank Arm Bolt
19	2	Pivot Cover A	69	4	Resistance Motor Bolt
20	2	Front Leg Cover	70	1	Rear Stabilizer
21	2	Rear Leg Cover	71	2	Motor Bracket Screw
22	2	Pivot Cover B	72	1	Drive Belt Adjustment Screw
23	4	Pedal Arm Bushing	73	1	Front Stabilizer
24	1	Crank	74	1	M6 Locknut
25	1	Right Crank Arm	75	6	M10 x 45mm Screw
26	2	Pedal Disc	76	4	M8 x 45mm Button Bolt
27	1	Crank Arm Spacer	77	6	M8 Jam Nut
28	2	Wire	78	11	M10 Split Washer
29	4	Bearing	79	8	M10 x 20mm Screw
30	2	Pedal Arm Cap	80	2	M8 x 20mm Screw
31	2	Bolt Set	81	1	Rear Console Cover
32	1	Front Console Cover	82	4	M10 x 85mm Screw
33	4	M8 Washer	83	1	M5 x 7mm Screw
34	1	Adjustment Block	84	10	#10 x 13mm Screw
35	1	M5 Washer	85	2	M8 x 18mm Screw
36	1	Small Snap Ring	86	1	Pulley
37	1	Shield Cover	87	1	M3.5 x 12mm Screw
38	2	Crank Bearing	88	1	Pivot Screw
39	1	Handlebar	89	4	M8 x 15mm Screw
40	2	Large Snap Ring	90	1	M4 x 16mm Ground Screw
41	2	Magnet	91	2	Adjustment Nut
42	1	Main Wire	92	20	M4 x 16mm Screw
43	2	M6 Washer	93	2	Sensor/Wire
44	1	Left Shield	94	1	Flywheel Bearing
45	1	Right Shield	95	1	Audio Cable
46	1	Drive Belt	96	1	Left Crank Arm
47	2	Leveling Foot	97	2	M4 x 12mm Self-tapping Screw
48	2	Stabilizer Cap	*	–	User's Manual
49	1	Right Pedal Arm	*	–	Assembly Tool
50	2	Wheel	*	–	Grease Packet

Note: Specifications are subject to change without notice. For information about ordering replacement parts, see the back cover of this manual. *These parts are not illustrated.

EXPLODED DRAWING B

Model No. 831.23953.1 R0811C



Get it fixed, at your home or ours!

Your Home

For repair—in **your home**—of **all** major brand appliances, lawn and garden equipment, or heating and cooling systems, **no matter who made it, no matter who sold it!**

For the replacement parts, accessories, and user's manuals that you need to do-it-yourself.

For Sears professional installation of home appliances and items like garage door openers and water heaters.

1-800-4-MY-HOME® (1-800-469-4663)

Call anytime, day or night (U.S.A. and Canada)

www.sears.com

www.sears.ca

Our Home

For repair of carry-in items like vacuums, lawn equipment, and electronics, call or go on-line for the location of your nearest **Sears Parts & Repair Center.**

1-800-488-1222 Call anytime, day or night (U.S.A. only)

www.sears.com

To purchase a protection agreement (U.S.A.) or maintenance agreement (Canada) on a product serviced by Sears:

1-800-827-6655 (U.S.A.)

1-800-361-6665 (Canada)

Para pedir servicio de reparación a domicilio, y para ordenar piezas:

1-888-SU-HOGAR® (1-888-784-6427)



® Registered Trademark / ™ Trademark / ™ Service Mark of Sears Brands, LLC
® Marca Registrada / ™ Marca de Fábrica / ™ Marca de Servicio de Sears Brands, LLC

90 DAY FULL WARRANTY

If this Sears Bike Exerciser fails due to a defect in material or workmanship within 90 days of the date of purchase, call 1-800-4-MY-HOME® (1-800-469-4663) to arrange for free repair (or replacement if repair proves impossible). There is a 5 year warranty on the frame.

This warranty does not apply when the Bike Exerciser is used commercially or for rental purposes.

This warranty gives you specific legal rights, and you may also have other rights which vary from state to state.

Sears, Roebuck and Co., Hoffman Estates, IL 60179