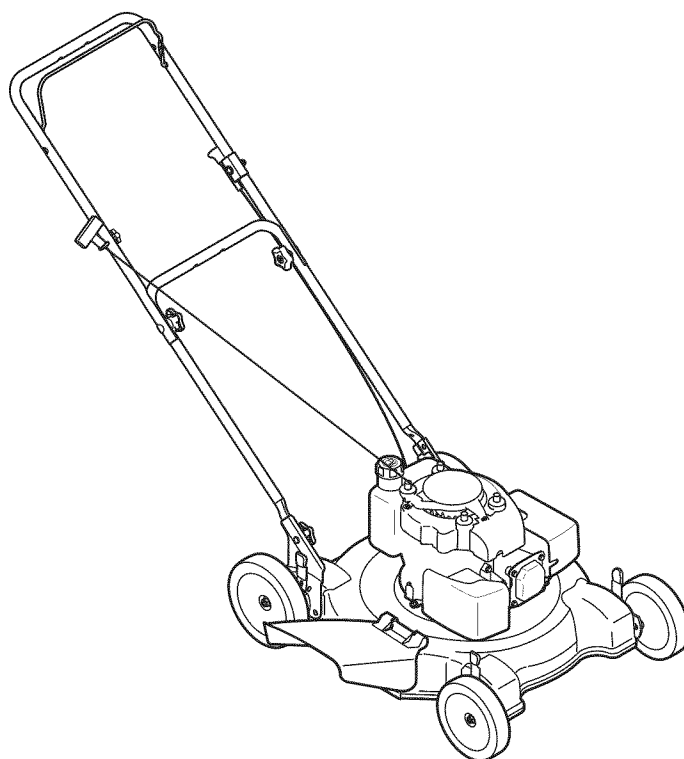


OPERATOR'S MANUAL



Push Mower — Model 08M

⚠ WARNING

**READ AND FOLLOW ALL SAFETY RULES AND INSTRUCTIONS IN THIS MANUAL
BEFORE ATTEMPTING TO OPERATE THIS MACHINE.
FAILURE TO COMPLY WITH THESE INSTRUCTIONS MAY RESULT IN PERSONAL INJURY.**

MTD LLC, P.O. BOX 361131 CLEVELAND, OHIO 44136-0019

Thank You

Thank you for purchasing a Lawn Mower manufactured by MTD LLC. It was carefully engineered to provide excellent performance when properly operated and maintained.

Please read this entire manual prior to operating the equipment. It instructs you how to safely and easily set up, operate and maintain your machine. Please be sure that you, and any other persons who will operate the machine, carefully follow the recommended safety practices at all times. Failure to do so could result in personal injury or property damage.

All information in this manual is relative to the most recent product information available at the time of printing. Review this manual frequently to familiarize yourself with the machine, its features and operation. Please be aware that this Operator's Manual may cover a range of product specifications for various models. Characteristics and features discussed and/or illustrated in this manual may not be applicable to all models. MTD LLC reserves the right to change product specifications, designs and equipment without notice and without incurring obligation.

This product has met the rigid safety standards of the Outdoor Power Equipment Institute and an independent testing laboratory. If you have any problems or questions concerning the machine, phone your local authorized MTD service dealer or contact us directly. MTD's Customer Support telephone numbers, website address and mailing address can be found on this page. We want to ensure your complete satisfaction at all times.

Throughout this manual, all references to *right* and *left* side of the machine are observed from the operating position

The engine manufacturer is responsible for all engine-related issues with regards to performance, power-rating, specifications, warranty and service. Please refer to the engine manufacturer's Owner's/Operator's Manual, packed separately with your machine, for more information.

Table of Contents

Safe Operation Practices	3	Troubleshooting	15
Assembly & Set-Up	8	Engine Operation	16
Controls & Features	11	Engine Maintenance	18
Operation	12	Illustrated Parts List	24
Maintenance & Adjustment	13	Warranty	32
Service	14	Spanish	33

Record Product Information

Before setting up and operating your new equipment, please locate the model plate on the equipment and record the information in the provided area to the right. You can locate the model plate by standing at the operator's position and looking down at the rear of the deck. This information will be necessary, should you seek technical support via our web site, Customer Support Department, or with a local authorized service dealer.

MODEL NUMBER

SERIAL NUMBER

Customer Support

Please do NOT return the machine to the retailer or dealer without first contacting our Customer Support Department.

If you have difficulty assembling this product or have any questions regarding the controls, operation, or maintenance of this machine, you can seek help from the experts. Choose from the options below:

- ◇ Visit us on the web at www.mtdproducts.com
- ◇ Call a Customer Support Representative at (800) 800-7310 or (330) 220-4683
- ◇ Write us at MTD LLC • P.O. Box 361131 • Cleveland, OH • 44136-0019



WARNING: This symbol points out important safety instructions which, if not followed, could endanger the personal safety and/or property of yourself and others. Read and follow all instructions in this manual before attempting to operate this machine. Failure to comply with these instructions may result in personal injury.

When you see this symbol. **HEED ITS WARNING!**

CALIFORNIA PROPOSITION 65



WARNING: Engine Exhaust, some of its constituents, and certain vehicle components contain or emit chemicals known to State of California to cause cancer and birth defects or other reproductive harm.



WARNING: Battery posts, terminals, and related accessories contain lead and lead compounds, chemicals known to the State of California to cause cancer and reproductive harm. *Wash hands after handling.*



DANGER: This machine was built to be operated according to the safe operation practices in this manual. As with any type of power equipment, carelessness or error on the part of the operator can result in serious injury. This machine is capable of amputating fingers, hands, toes and feet and throwing objects. Failure to observe the following safety instructions could result in serious injury or death.

General Operation

1. Read this operator's manual carefully in its entirety before attempting to assemble this machine. Read, understand, and follow all instructions on the machine and in the manuals) before operation. Keep this manual in a safe place for future and regular reference and for ordering replacement parts
2. Be completely familiar with the controls and the proper use of this machine before operating it.
3. This machine is a precision piece of power equipment, not a plaything. Therefore, exercise extreme caution at all times. This machine has been designed to perform one job: to mow grass. Do not use it for any other purpose.
4. Never allow children under 14 years of age to operate this machine. Children 14 and over should read and understand the instructions and safe operation practices in this manual and on the machine and should be trained and supervised by an adult.
5. Only responsible individuals who are familiar with these rules of safe operation should be allowed to use this machine.
6. Thoroughly inspect the area where the equipment is to be used. Remove all stones, sticks, wire, bones, toys and other foreign objects, which could be tripped over or picked up and thrown by the blade. Thrown objects can cause serious personal injury.
7. Plan your mowing pattern to avoid discharge of material toward roads, sidewalks, bystanders and the like. Also, avoid discharging material against a wall or obstruction, which may cause discharged material to ricochet back toward the operator.
8. To help avoid blade contact or a thrown object injury, stay in operator zone behind handles and keep children, bystanders, helpers and pets at least 75 feet from mower while it is in operation. Stop machine if anyone enters area.
9. Always wear safety glasses or safety goggles during operation and while performing an adjustment or repair to protect your eyes. Thrown objects which ricochet can cause serious injury to the eyes.
10. Wear sturdy, rough-soled work shoes and close-fitting slacks and shirts. Shirts and pants that cover the arms and legs and steel-toed shoes are recommended. Never operate this machine in bare feet, sandals, slippery or light-weight (e.g. canvas) shoes.
11. Do not put hands or feet near rotating parts or under the cutting deck. Contact with blade can amputate fingers, hands, toes and feet.

12. A missing or damaged discharge cover can cause blade contact or thrown object injuries.
13. Many injuries occur as a result of the mower being pulled over the foot during a fall caused by slipping or tripping. Do not hold on to the mower if you are falling; release the handle immediately.
14. Never pull the mower back toward you while you are walking. If you must back the mower away from a wall or obstruction first look down and behind to avoid tripping and then follow these steps:
 - a. Step back from mower to fully extend your arms.
 - b. Be sure you are well balanced with sure footing.
 - c. Pull the mower back slowly, no more than half way toward you.
 - d. Repeat these steps as needed.
15. Do not operate the mower while under the influence of alcohol or drugs.
16. Do not engage the self-propelled mechanism on machines so equipped while starting engine.
17. The blade control handle is a safety device. Never attempt to bypass its operation. Doing so makes the safety device inoperative and may result in personal injury through contact with the rotating blade. The blade control handle must operate easily in both directions and automatically return to the disengaged position when released.
18. Never operate the mower in wet grass. Always be sure of your footing. A slip and fall can cause serious personal injury. If you feel you are losing your footing, release the blade control handle immediately and the blade will stop rotating within three seconds.
19. Mow only in daylight or good artificial light. Walk, never run.
20. Stop the blade when crossing gravel drives, walks or roads.
21. If the equipment should start to vibrate abnormally, stop the engine and check immediately for the cause. Vibration is generally a warning of trouble.
22. Shut the engine off and wait until the blade comes to a complete stop before removing the grass catcher or unclogging the chute. The cutting blade continues to rotate for a few seconds after the blade control is released. Never place any part of the body in the blade area until you are sure the blade has stopped rotating.
23. Never operate mower without proper trail shield, discharge cover, grass catcher, blade control handle or other safety protective devices in place and working. Never operate mower with damaged safety devices. Failure to do so can result in personal injury.
24. Muffler and engine become hot and can cause a burn. Do not touch.
25. Never attempt to make a wheel or cutting height adjustment while the engine is running.
26. Only use parts and accessories made for this machine by the manufacturer. Failure to do so can result in personal injury.
27. When starting engine, pull cord slowly until resistance is felt, then pull rapidly. Rapid retraction of starter cord (kickback) will pull hand and arm toward engine faster than you can let go. Broken bones, fractures, bruises or sprains could result.
28. If situations occur which are not covered in this manual, use care and good judgement. Contact Customer Support for assistance or the name of the nearest service dealer.

Slope Operation

Slopes are a major factor related to slip and fall accidents, which can result in severe injury. Operation on slopes requires extra caution. If you feel uneasy on a slope, do not mow it. For your safety, use the slope gauge included as part of this manual to measure slopes before operating this machine on a sloped or hilly area. If the slope is greater than 15 degrees, do not mow it.

Do:

1. Mow across the face of slopes; never up and down. Exercise extreme caution when changing direction on slopes.
2. Watch for holes, ruts, rocks, hidden objects, or bumps which can cause you to slip or trip. Tall grass can hide obstacles.
3. Always be sure of your footing. A slip and fall can cause serious personal injury. If you feel you are losing your balance, release the blade control handle immediately and the blade will stop rotating within three (3) seconds.

Do Not:

1. Do not mow near drop-offs, ditches or embankments, you could lose your footing or balance.
2. Do not mow slopes greater than 15 degrees as shown on the slope gauge.
3. Do not mow on wet grass. Unstable footing could cause slipping.

Children

Tragic accidents can occur if the operator is not alert to the presence of children. Children are often attracted to the mower and the mowing activity. They do not understand the dangers. Never assume that children will remain where you last saw them.

1. Keep children out of the mowing area and under watchful care of a responsible adult other than the operator.
2. Be alert and turn mower off if a child enters the area.
3. Before and while moving backwards, look behind and down for small children.
4. Use extreme care when approaching blind corners, doorways, shrubs, trees, or other objects that may obscure your vision of a child who may run into the mower.
5. Keep children away from hot or running engines. They can suffer burns from a hot muffler.
6. Never allow children under 14 years of age to operate this machine. Children 14 and over should read and understand the instructions and safe operation practices in this manual and on the machine and be trained and supervised by an adult.

Service

Safe Handling Of Gasoline:

1. To avoid personal injury or property damage use extreme care in handling gasoline. Gasoline is extremely flammable and the vapors are explosive. Serious personal injury can occur when gasoline is spilled on yourself or your clothes, which can ignite. Wash your skin and change clothes immediately.
 2. Use only an approved gasoline container.
 3. Never fill containers inside a vehicle or on a truck or trailer bed with a plastic liner. Always place containers on the ground away from your vehicle before filling.
 4. Remove gas-powered equipment from the truck or trailer and refuel it on the ground. If this is not possible, then refuel such equipment on a trailer with a portable container, rather than from a gasoline dispenser nozzle.
 5. Keep the nozzle in contact with the rim of the fuel tank or container opening at all times until fueling is complete. Do not use a nozzle lock-open device.
 6. Extinguish all cigarettes, cigars, pipes and other sources of ignition.
 7. Never fuel machine indoors because flammable vapors will accumulate in the area.
 8. Never remove gas cap or add fuel while engine is hot or running. Allow engine to cool at least two minutes before refueling.
 9. Never over fill fuel tank. Fill tank to no more than 1 inch below bottom of filler neck to provide for fuel expansion.
 10. Replace gasoline cap and tighten securely.
 11. If gasoline is spilled, wipe it off the engine and equipment. Move machine to another area. Wait 5 minutes before starting engine.
 12. Never store the machine or fuel container near an open flame, spark or pilot light as on a water heater, space heater, furnace, clothes dryer or other gas appliances.
 13. To reduce fire hazard, keep machine free of grass, leaves, or other debris build-up. Clean up oil or fuel spillage and remove any fuel soaked debris.
 14. Allow machine to cool at least 5 minutes before storing.
3. Check the blade and engine mounting bolts at frequent intervals for proper tightness. Also, visually inspect blade for damage (e.g., bent, cracked, worn) Replace blade with the original equipment manufacturer's (O.E.M.) blade only, listed in this manual. "Use of parts which do not meet the original equipment specifications may lead to improper performance and compromise safety!"
 4. Mower blades are sharp and can cut. Wrap the blade or wear gloves, and use extra caution when servicing them.
 5. Keep all nuts, bolts, and screws tight to be sure the equipment is in safe working condition.
 6. Never tamper with safety devices. Check their proper operation regularly.
 7. After striking a foreign object, stop the engine, disconnect the spark plug wire and ground against the engine. Thoroughly inspect the mower for any damage. Repair the damage before starting and operating the mower.
 8. Never attempt to make a wheel or cutting height adjustment while the engine is running.
 9. Grass catcher components, discharge cover, and trail shield are subject to wear and damage which could expose moving parts or allow objects to be thrown. For safety protection, frequently check components and replace immediately with original equipment manufacturer's (O.E.M.) parts only, listed in this manual. "Use of parts which do not meet the original equipment specifications may lead to improper performance and compromise safety!"
 10. Do not change the engine's governor setting or over-speed the engine. The governor controls the maximum safe operating speed of the engine.
 11. Check fuel line, tank, cap, and fittings frequently for cracks or leaks. Replace if necessary.
 12. Do not crank engine with spark plug removed.
 13. Maintain or replace safety and instruction labels, as necessary.
 14. Observe proper disposal laws and regulations. Improper disposal of fluids and materials can harm the environment.

General Service:

1. Never run an engine indoors or in a poorly ventilated area. Engine exhaust contains carbon monoxide, an odorless and deadly gas.
2. Before cleaning, repairing, or inspecting, make certain the blade and all moving parts have stopped. Disconnect the spark plug wire and ground against the engine to prevent unintended starting.

Do not modify engine

To avoid serious injury or death, do not modify engine in any way. Tampering with the governor setting can lead to a runaway engine and cause it to operate at unsafe speeds. Never tamper with factory setting of engine governor.

Notice Regarding Emissions

Engines which are certified to comply with California and federal EPA emission regulations for SORE (Small Off Road Equipment) are certified to operate on regular unleaded gasoline, and may include the following emission control systems: Engine Modification (EM) and Three Way Catalyst (TWC) if so equipped.

Spark Arrestor



WARNING: This machine is equipped with an internal combustion engine and should not be used on or near any unimproved forest-covered, brush covered or grass-covered land unless the engine's exhaust system is equipped with a spark arrester meeting applicable local or state laws (if any).

If a spark arrester is used, it should be maintained in effective working order by the operator. In the State of California the above is required by law (Section 4442 of the California Public Resources Code). Other states may have similar laws. Federal laws apply on federal lands.

A spark arrester for the muffler is available through your nearest engine authorized service dealer or contact the service department, P.O. Box 361131 Cleveland, Ohio 44136-0019.

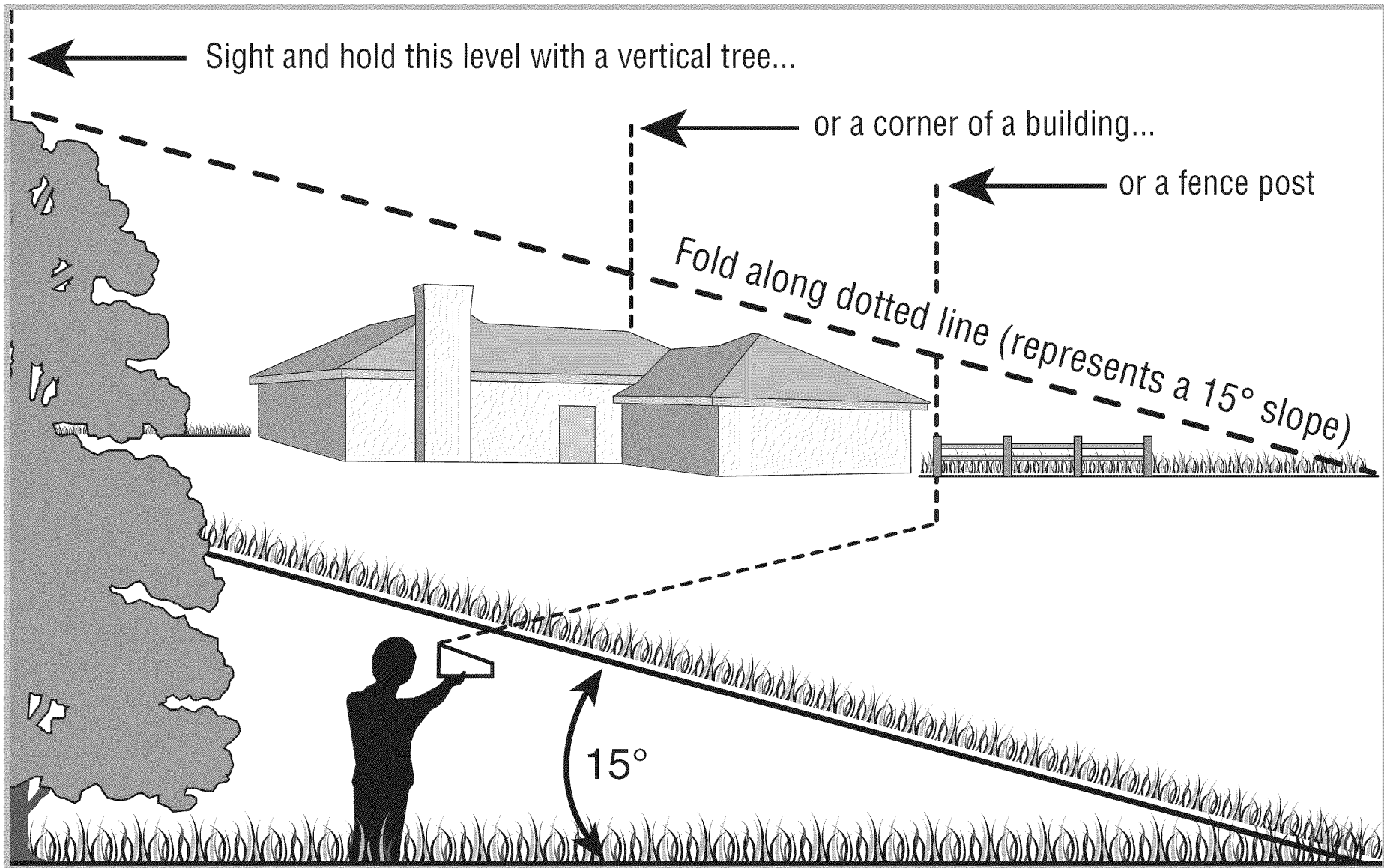
Average Useful Life

According to the Consumer Products Safety Commission (CPSC) and the U.S. Environmental Protection Agency (EPA), this product has an *Average Useful Life* of seven (7) years, or 140 hours of operation. At the end of the *Average Useful Life*, buy a new machine or have the machine inspected annually by an authorized service dealer to ensure that all mechanical and safety systems are working properly and not worn excessively. Failure to do so can result in accidents, injuries or death.



WARNING: Your Responsibility—Restrict the use of this power machine to persons who read, understand and follow the warnings and instructions in this manual and on the machine.

SAVE THESE INSTRUCTIONS!



Use this page as a guide to determine slopes where you may not operate safely.



WARNING: Do not operate your lawn mower on such slopes. Do not mow on inclines with a slope in excess of 15 degrees (a rise of approximately 2-1/2 feet every 10 feet). A riding mower could overturn and cause serious injury. Operate riding mowers up and down slopes, never across the face of slopes. Operate walk-behind mowers across the face of slopes, never up and down slopes.

Contents of Carton

- One Lawn Mower
- One Lawn Mower Operator's Manual
- One Bottle of Oil

Assembly

NOTE: This lawn mower is shipped without gasoline or oil in the engine. Fill up the gasoline and oil as instructed in the accompanying engine manual BEFORE operating your mower.

1. For shipping purposes, the chute deflector on your mower is held in an upright position by a retainer. Remove the retainer as follows:
 - a. Push the chute deflector up towards the engine. Holding the deflector in this position, remove the retainer and discard. See Fig. 3-1.
 - b. Lower the chute deflector carefully keeping your fingers out of the way.

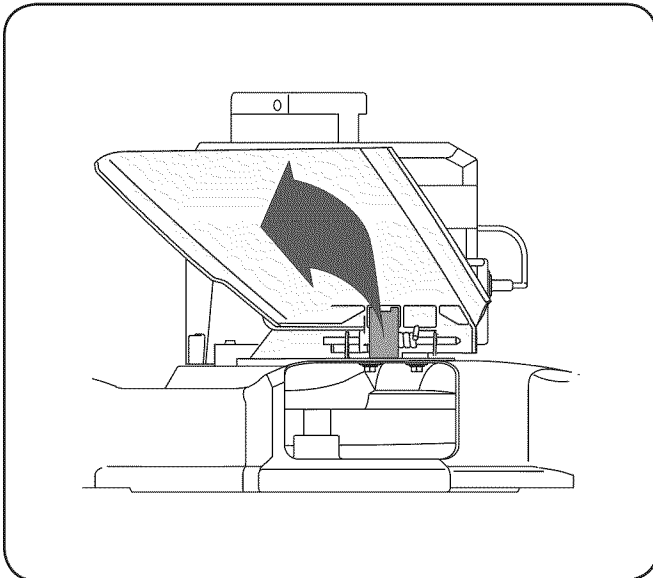


Figure 3-1

Handle

1. Perform the following sequence for the handle setup:

NOTE: Your mower is shipped with the handle in the higher height position.

- a. Lift the upper handle up from folded position and pull it to extended position following the arrow in Fig. 3-2. The handle should click into this position.

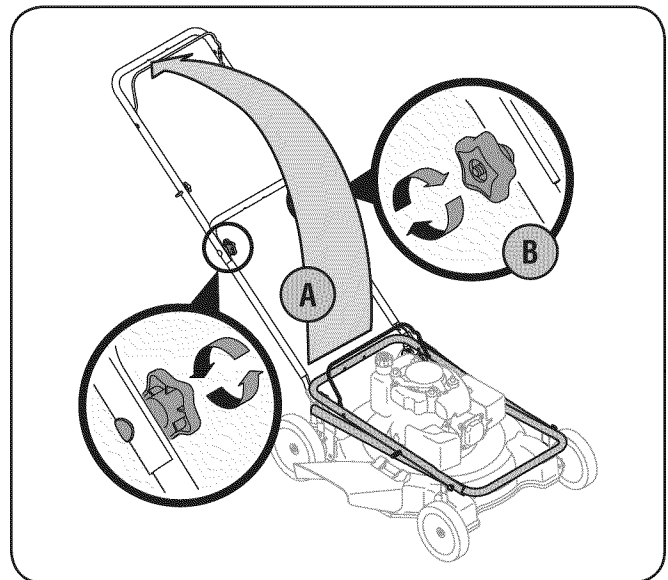


Figure 3-2

- b. Make sure the carriage bolt is seated properly in the handle. Tighten the star knobs securing the upper handle to the lower handle.

2. If satisfied with the height of the handle, tighten the star knobs at the ends of the lower handle shown in Fig. 3-3. For convenience of operation, you may adjust the handle height as follows:

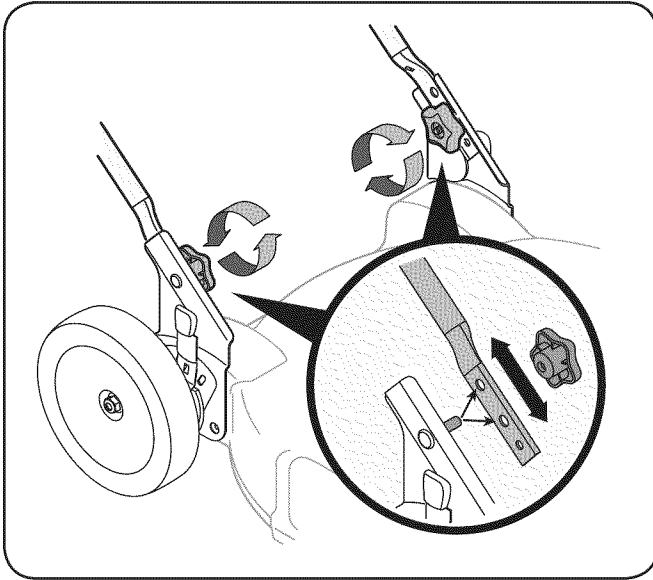


Figure 3-3

NOTE: Each end of the lower handle must be placed in the same position on the mounting brackets.

- a. Remove the star knobs shown in Fig. 3-3 and remove the lower handle.
- b. Position each handle bracket stud into the top hole in the lower handle.
- c. Tighten the star knobs.

3. Position the recoil starter by following the steps below:
 - a. Hold the blade control against the upper handle.
 - b. Slowly pull the starter rope out of the engine. See Fig. 3-4.

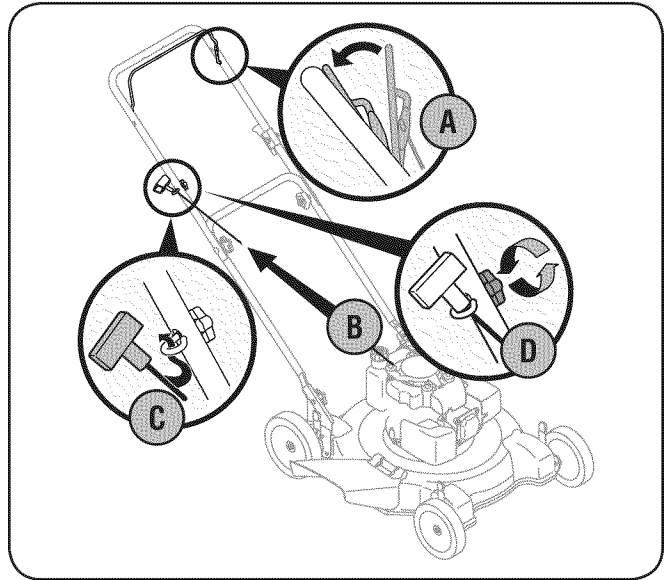


Figure 3-4

- c. Slip the starter rope into the rope guide.
 - d. Tighten the rope guide wing nut.
4. Use the cable tie provided to secure cable to the lower handle. Pull the cable tie tight and trim excess. See Fig. 3-5.

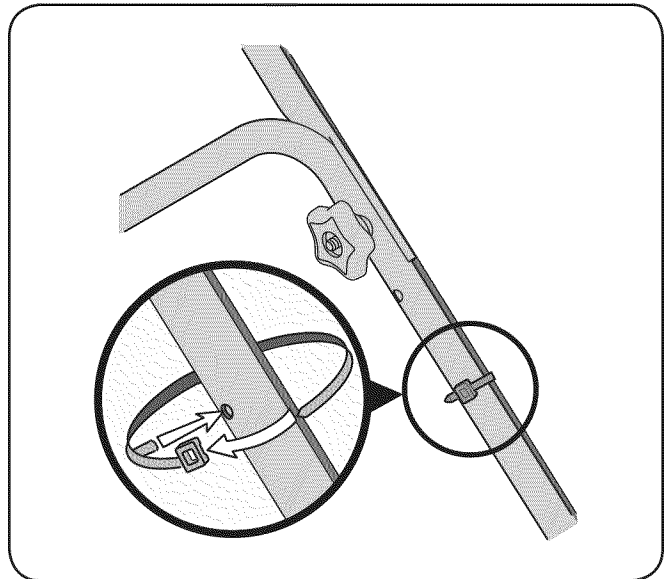


Figure 3-5

Mulching Baffle (If Equipped)

1. If your mower is equipped with an optional mulching baffle, install it on the right side of the deck. Follow the sequence indicated here.
 - a. Lift up and hold the side-discharge chute deflector and insert the bottom lip of the mulching baffle inside the chute opening. See Fig. 3-6.
 - b. Snap the hooks of the mulching baffle over the hinge pin of the chute deflector. The hooks must snap into place on the hinge pin, locking the mulching baffle firmly onto the mower. Release the chute deflector.

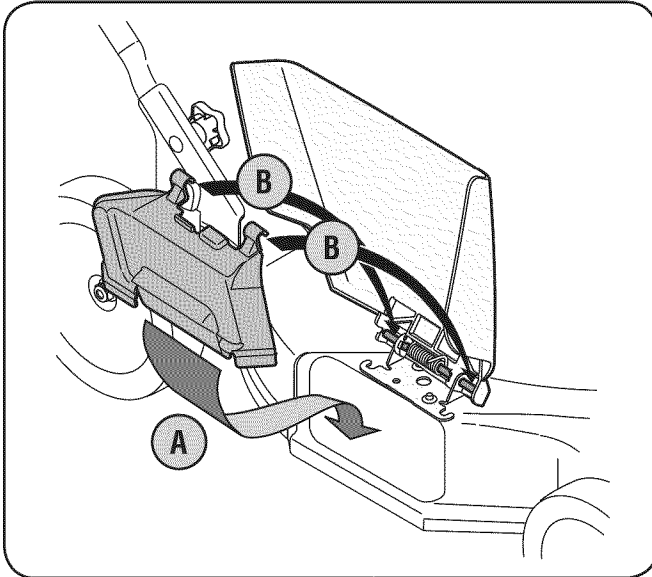


Figure 3-6

Adjustments

Cutting Height

Each wheel has a height adjustment lever to change the cutting height of the mower.

1. Depress the height adjustment lever towards wheel.
2. Slide the lever to the desired position for a change in cutting height. See Fig. 3-7.

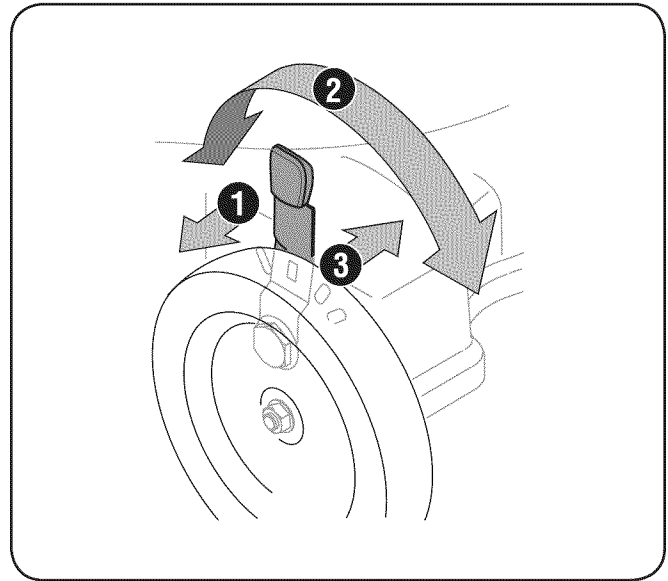


Figure 3-7

3. Release the lever towards deck.

IMPORTANT: When adjusting the cutting height, be sure to set all four wheels at the same height. For rough or uneven lawns, move the height adjustment lever to a higher position to prevent scalping of the grass.

Set-Up

Gas and Oil Fill-Up

Refer to the Engine Operation section in this manual for additional engine information.

1. Add oil provided before starting unit for the first time out of the box.
2. Service the engine with gasoline as instructed in the Engine Operation section of this manual.



WARNING: Use extreme care when handling gasoline. Gasoline is extremely flammable and the vapors are explosive. Never fuel the machine indoors or while the engine is hot or running. Extinguish cigarettes, cigars, pipes and any other sources of ignition.

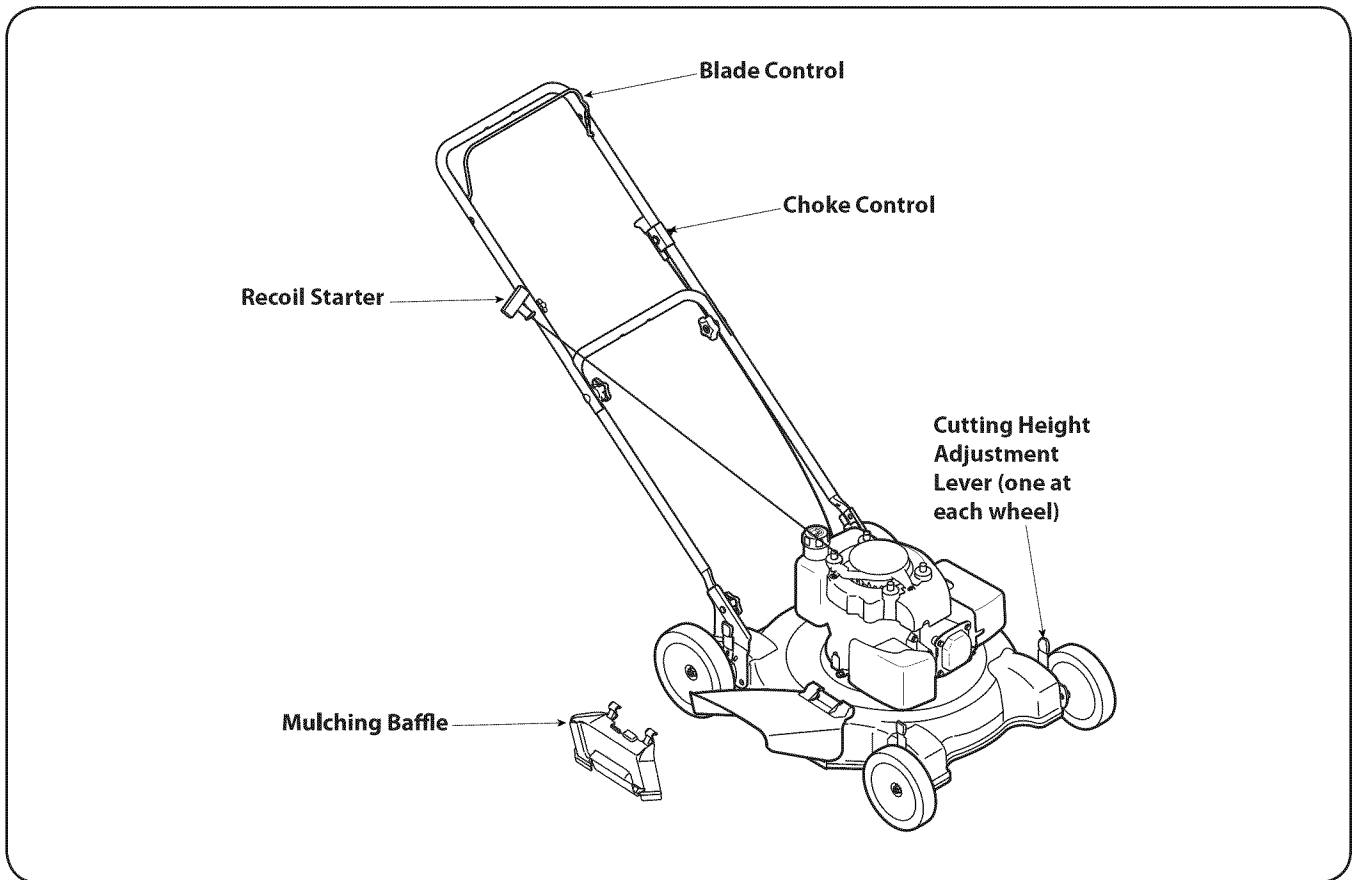


Figure 4-1

Blade Control

The blade control is attached to the upper handle of the mower. Depress and squeeze it against the upper handle to operate the unit. Release it to stop engine and blade.



WARNING: This blade control is a safety device. Never attempt to bypass its operations.

Cutting Height Adjustment Lever

One adjustment lever is located on each wheel and is used to adjust the cutting height. All four levers have to be at the same relative position to ensure a uniform cut. To adjust the cutting height, refer to the "Assembly & Set-Up" Section.

Recoil Starter

The recoil starter is attached to the right upper handle. Stand behind the unit and pull the recoil starter rope to start the unit.

Choke Control

The choke control is located on the left side of the handle and when activated, closes the choke plate on the carburetor and aids in starting the engine. Pull the choke control to activate the choke on the engine. Use of the choke may not be necessary if the engine is warm or the air temperature is high.

Mulching Baffle (If Equipped)

The mulching baffle is used to recirculate grass clippings back to the lawn. Attach it as instructed in the Assembly & Set-Up section of this manual.

Starting Engine



WARNING: Be sure no one other than the operator is standing near the lawn mower while starting engine or operating mower. Never run engine indoors or in enclosed, poorly ventilated areas. Engine exhaust contains carbon monoxide, an odorless and deadly gas. Keep hands, feet, hair and loose clothing away from any moving parts on engine and lawn mower.

1. Pull out the choke knob located on the left side of the upper handle. See Fig. 5-1.

NOTE: Use of the choke may not be necessary if the engine is warm or the air temperature is high.

2. Standing behind the mower, squeeze and hold the blade control against upper handle.
3. Pull the recoil starter lightly until resistance is felt, then pull rapidly to overcome compression, prevent kickback, and start the engine. Repeat if necessary. See Fig. 5-1.

NOTE: Do not allow the recoil starter to snap back against the rope guide.

4. When engine warms up, push in the choke knob.

Stopping Engine

1. Release blade control to stop the engine and blade.



WARNING: Wait for the blade to stop completely before performing any work on the mower or to remove the mulching baffle (if equipped).

Using Your Lawn Mower

Be sure lawn is clear of stones, sticks, wire, or other objects which could damage lawn mower or engine. Such objects could be accidentally thrown by the mower in any direction and cause serious personal injury to the operator and others.



WARNING: The operation of any lawn mower can result in foreign objects being thrown into the eyes, which can damage your eyes severely. Always wear safety glasses while operating the mower, or while performing any adjustments or repairs on it.

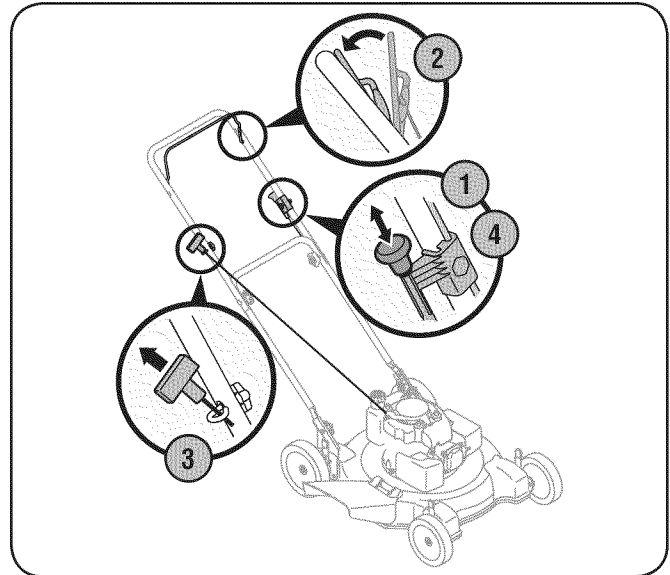


Figure 5-1

Using as Mulcher (If Equipped)

For mulching grass, install the mulching baffle as instructed in the "Assembly & Set-Up" section. For effective mulching, do not cut wet grass. If the grass has been allowed to grow in excess of four inches, mulching is not recommended. Use the grass catcher (sold separately) to bag the clippings instead.



WARNING: If you strike a foreign object, stop the engine. Remove wire from the spark plug, thoroughly inspect mower for any damage, and repair damage before restarting and operating. Extensive vibration of mower during operation is an indication of damage. The unit should be promptly inspected and repaired.

Maintenance

General Recommendations

- Always observe safety rules when performing any maintenance.
- The warranty on this lawn mower does not cover items that have been subjected to operator abuse or negligence. To receive full value from warranty, operator must maintain the lawn mower as instructed here.
- Changing of engine-governed speed will void engine warranty.
- All adjustments should be checked at least once each season.
- Periodically check all fasteners and make sure these are tight.



WARNING: Always stop engine, disconnect spark plug, and ground against engine before performing any type of maintenance on your machine.

Lubrication

1. Lubricate pivot points on the blade control at least once a season with light oil. This control must operate freely in both directions. See Fig. 6-1.
2. Lubricate the wheels at least once a season with light oil (or motor oil). If wheels are removed for any reason, lubricate surface of the pivot arm and inner surface of the wheel with light oil. See Fig. 6-1.
3. Lubricate the torsion springs and pivot points on the side discharge chute periodically with light oil to prevent rust. See Fig. 6-1.

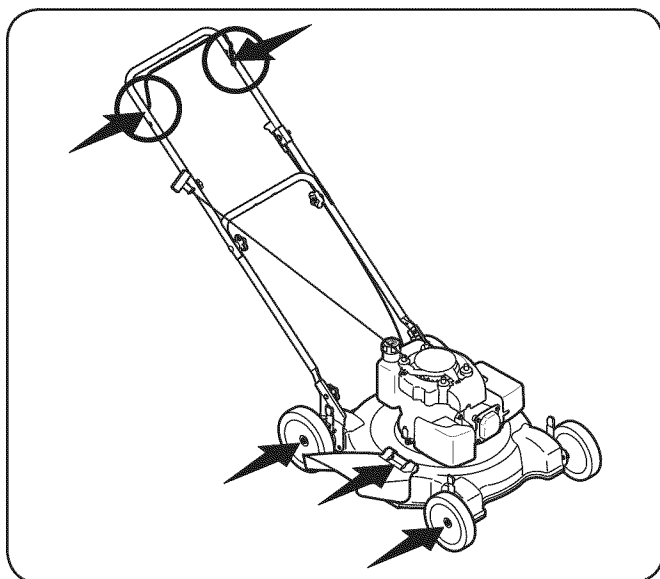


Figure 6-1

4. Follow the Engine Maintenance section for lubrication schedule and instruction for engine lubrication.

Deck Care

Clean underside of the mower deck after each use to prevent build-up of grass clippings or other debris. Follow steps below for this job.

1. Disconnect spark plug wire. Drain gasoline from lawn mower or place a piece of plastic under the gas cap.
2. Tip mower so that it rests on the housing. Keep the side with the air cleaner facing up. Hold mower firmly.



WARNING: Never tip the mower more than 90° in any direction and do not leave the mower tipped for any length of time. Oil can drain into the upper part of the engine causing a starting problem.

3. Scrape and clean the underside of the deck with a suitable tool. Do not spray with water.

IMPORTANT: Do not use a pressure washer or garden hose to clean your unit. These may cause damage to the engine. The use of water will result in shortened life and reduce serviceability.

4. Put the mower back on its wheels on the ground. If you had put plastic under the gas cap earlier, make sure to remove it now.

Engine Care

NOTE: Refer to the Engine Operation and Maintenance sections in this manual for detailed instructions.

- Maintain oil level.
- Service air cleaner every 25 hours under normal conditions. Clean every few hours under extremely dusty conditions.
- Clean spark plug and reset the gap once a season.
- Clean engine regularly with a cloth or brush. Keep the area around the top of the engine clean to permit proper air circulation. Remove all grass, dirt, and combustible debris from muffler area.

Blade Care



WARNING: When removing the cutting blade for sharpening or replacement, protect your hands with a pair of heavy gloves or use a heavy rag to hold the blade.

Periodically inspect the blade adapter for cracks, especially if you strike a foreign object. Replace when necessary. Follow the steps below for blade service.

1. Disconnect spark plug boot from spark plug. Turn mower on its side making sure that the air filter and the carburetor are facing up.
2. Remove the bolt and the blade bell support which hold the blade and the blade adapter to the engine crankshaft. See Fig. 7-1.

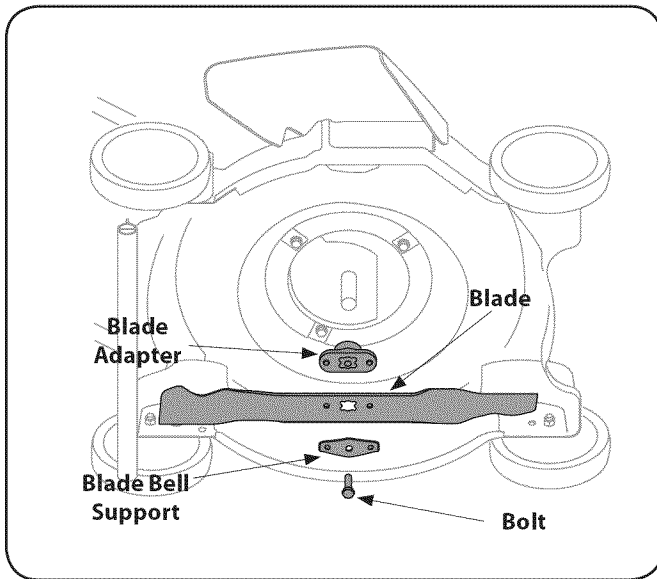


Figure 7-1

3. Remove blade and adapter from the crankshaft. See Fig. 7-1.
4. Remove blade from the adapter for testing balance. Balance the blade on a round shaft screwdriver to check. Remove metal from the heavy side until it balances evenly. When sharpening the blade, follow the original angle of grind. Grind each cutting edge equally to keep the blade balanced.



WARNING: An unbalanced blade will cause excessive vibration when rotating at high speeds. It may cause damage to mower and could break causing personal injury.

5. Lubricate the engine crankshaft and the inner surface of the blade adapter with light oil. Slide the blade adapter onto the engine crankshaft. Place the blade on the adapter such that the side of the blade marked "Bottom" (or with part number) faces the ground when the mower is in the operating position. Make sure that the blade is aligned and seated on the blade adapter flanges.
6. Place blade bell support on the blade. Align notches on the blade bell support with small holes in blade.
7. Replace hex bolt and tighten hex bolt to torque: 450 in. lbs. min., 600 in. lbs. max.

To ensure safe operation of your mower, periodically check the blade bolt for correct torque.

Off-Season Storage

The following steps should be taken to prepare your lawn mower for storage.

- Clean and lubricate mower thoroughly as described in the lubrication instructions.
- Do not use a pressure washer or garden hose to clean your unit.
- Coat mower's cutting blade with chassis grease to prevent rusting.
- Store mower in a dry, clean area. Do not store next to corrosive materials, such as fertilizer.

When storing any type of power equipment in a poorly ventilated or metal storage shed, care should be taken to rust-proof the equipment. Using a light oil or silicone, coat the equipment, especially cables and all moving parts of your lawn mower before storage.

Problem	Cause	Remedy
Engine Fails to start	<ol style="list-style-type: none"> 1. Blade control disengaged. 2. Spark plug boot disconnected. 3. Fuel tank empty or stale fuel. 4. Engine not primed (if equipped with primer). 5. Faulty spark plug. 6. Blocked fuel line. 7. Engine flooded. 8. Fuel valve (if equipped) closed. 9. Engine not choked (if equipped with choke). 	<ol style="list-style-type: none"> 1. Engage blade control. 2. Connect wire to spark boot. 3. Fill tank with clean, fresh gasoline. 4. Prime engine as instructed in the Operation section. 5. Clean, adjust gap, or replace. 6. Clean fuel line. 7. Wait a few minutes to restart, but do not prime. 8. Open fuel valve. See engine manual. 9. Choke engine. See engine manual.
Engine runs erratic	<ol style="list-style-type: none"> 1. Spark plug boot loose. 2. Blocked fuel line or stale fuel. 3. Vent in gas cap plugged. 4. Water or dirt in fuel system. 5. Dirty air cleaner. 6. Unit running with CHOKE (if equipped) applied. 	<ol style="list-style-type: none"> 1. Connect and tighten spark plug boot. 2. Clean fuel line; fill tank with clean, fresh gasoline. 3. Clear vent. 4. Drain fuel tank. Refill with fresh fuel. 5. Refer to engine manual. 6. Push CHOKE knob in.
Engine overheats	<ol style="list-style-type: none"> 1. Engine oil level low. 2. Air flow restricted. 	<ol style="list-style-type: none"> 1. Fill crankcase with proper oil. 2. Clean area around and on top of engine.
Occasional skips (hesitates) at high speed	<ol style="list-style-type: none"> 1. Spark plug gap too close. 	<ol style="list-style-type: none"> 1. Adjust gap to .030".
Idles poorly	<ol style="list-style-type: none"> 1. Spark plug fouled, faulty, or gap too wide. 2. Dirty air cleaner. 	<ol style="list-style-type: none"> 1. Reset gap to .030" or replace spark plug. 2. Refer to engine manual.
Excessive Vibration	<ol style="list-style-type: none"> 1. Cutting blade loose or unbalanced. 2. Bent cutting blade. 	<ol style="list-style-type: none"> 1. Tighten blade and adapter. Balance blade. 2. See an authorized service dealer.
Mower will not mulch grass	<ol style="list-style-type: none"> 1. Wet grass. 2. Excessively high grass. 3. Dull blade. 	<ol style="list-style-type: none"> 1. Do not mow when grass is wet; wait until later to cut. 2. Mow once at a high cutting height, then mow again at desired height or make a narrower cutting path. 3. Sharpen or replace blade.
Uneven cut	<ol style="list-style-type: none"> 1. Wheels not positioned correctly. 2. Dull blade. 	<ol style="list-style-type: none"> 1. Place all four wheels in same height position (if equipped with individual height adjusters). 2. Sharpen or replace blade.

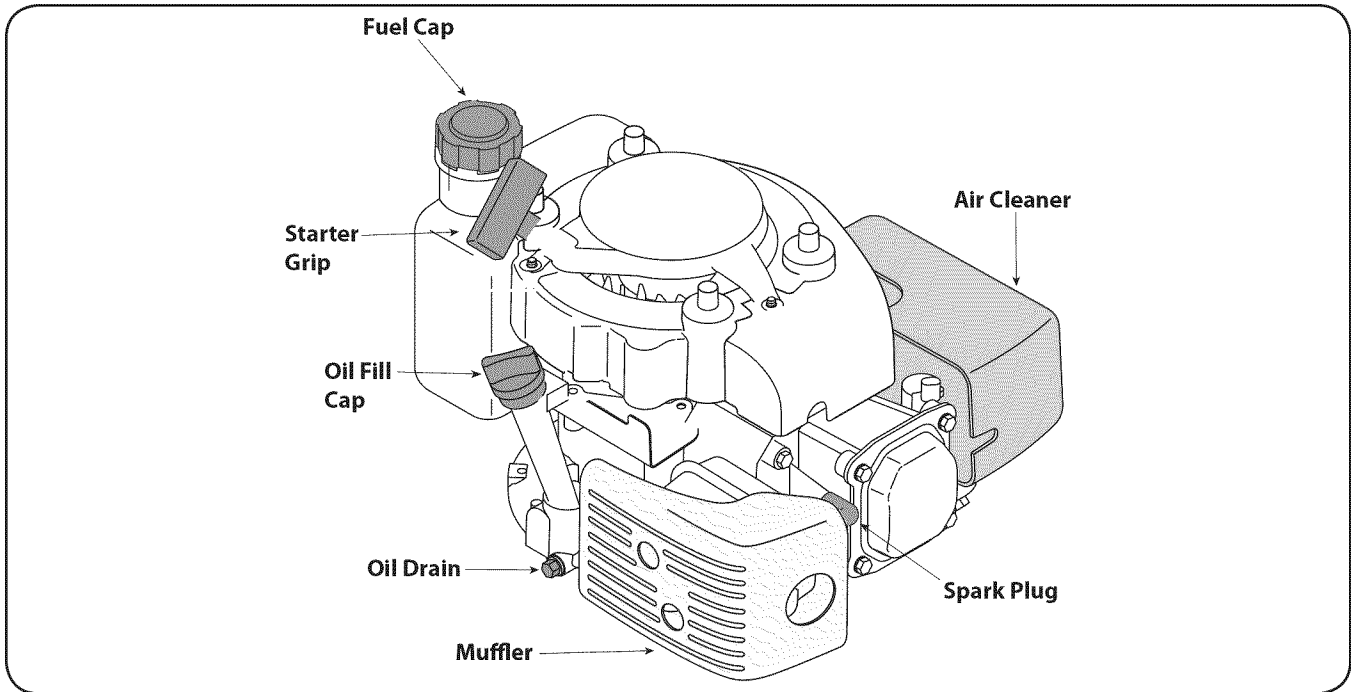


Figure 10-1

Pre-Operation Check

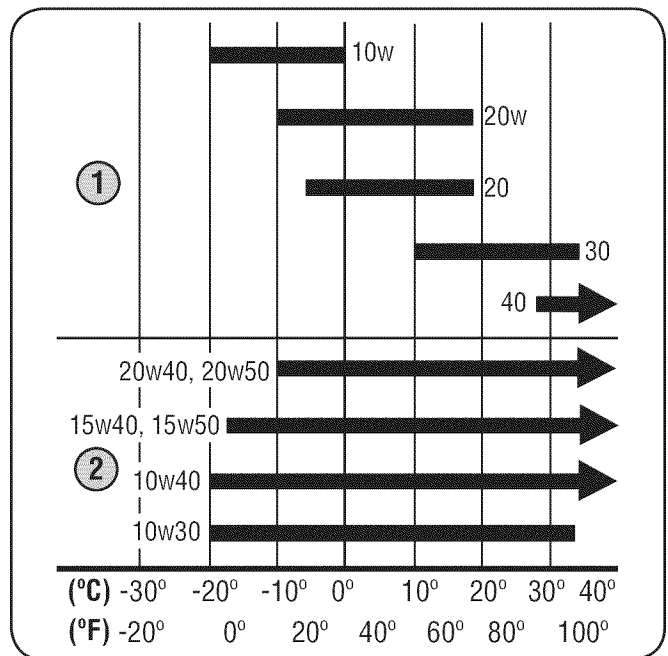
Oil Recommendations

NOTE: This engine is shipped without gasoline or oil in the engine. Running the engine with insufficient oil can cause serious engine damage and void the engine warranty.

- Before starting engine, fill with oil. Do not over-fill. Oil capacity is about 20 oz.

Use a 4-stroke, or an equivalent high detergent, premium quality motor oil certified to meet or exceed U.S. automobile manufacturer's requirements for service classification SG/SF. Motor oils classified SG/SF will show this designation on the container.

SAE 10W-30 is recommended for general, all temperature use. If single viscosity oil is used, select the appropriate viscosity for the average temperature in your area from the chart to the right.



Ambient Temperature

1. Single Viscosity
2. Multi Viscosity

NOTE: Using non detergent oil or 2-stroke engine oil could shorten the engine's service life.

Check Oil Level

NOTE: Be sure to check the engine on a level surface with the engine stopped.

1. Remove the oil filler cap and wipe the dipstick clean. See Fig. 10-2.

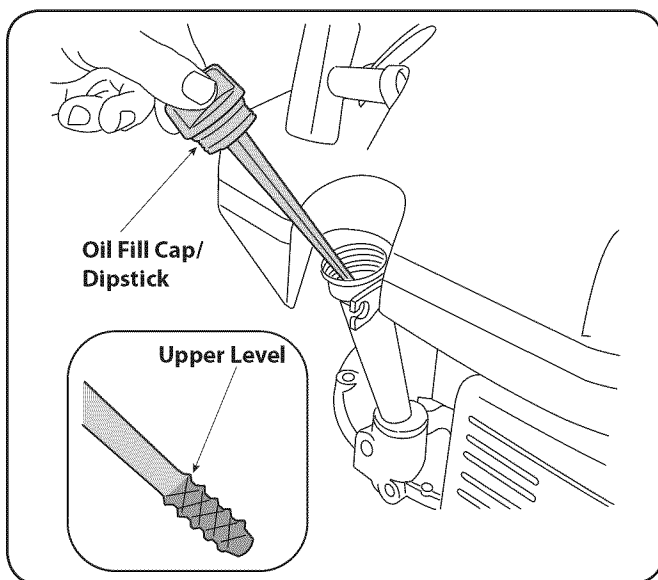


Figure 10-2

2. Insert the dipstick into the oil filler neck, but do not screw it in.
3. If the level is low, slowly add oil to the upper limit on the dipstick. See Fig. 10-2 inset.
4. Tighten dipstick firmly before starting engine.

NOTE: Do not overfill. Overfilling with oil may cause smoking, hard starting, spark plug fouling, or oil saturation of air cleaner.

Fuel Recommendations

Use automotive gasoline (unleaded or low leaded to minimize combustion chamber deposits) with a minimum of 87 octane. Gasoline with up to 10% ethanol or 15% MTBE (Methyl Tertiary Butyl Ether) can be used. Never use an oil/gasoline mixture, dirty gasoline, or gasoline over 30 days old. Avoid getting dirt, dust, or water in the fuel tank. **DO NOT USE E85 GASOLINE.**



WARNING: Gasoline is extremely flammable and is explosive under certain conditions. Refuel in a well-ventilated area with the engine stopped. Do not smoke or allow flames or sparks in the area where the engine is refueled or where gasoline is stored. Avoid repeated or prolonged contact with skin or breathing of vapor.



WARNING: Do not overfill the fuel tank (there should be no fuel in the filler neck). After refueling, make sure the tank cap is closed properly and securely. Be careful not to spill fuel when refueling. Spilled fuel or fuel vapor may ignite. If any fuel is spilled, make sure the area is dry before starting the engine.

Check Fuel Level

1. Clean around fuel fill before removing cap to fuel.
2. Fill tank to approximately 1-inch below lowest portion of neck to allow for fuel expansion. Be careful not to overfill.

NOTE: Before refueling, allow engine to cool 2 minutes.

Starting The Engine



WARNING: Always keep hands and feet clear of equipment moving parts. Do not use a pressurized starting fluid. Vapors are flammable.

1. Pull out the choke knob located on the left side of the upper handle. See Fig. 10-3.

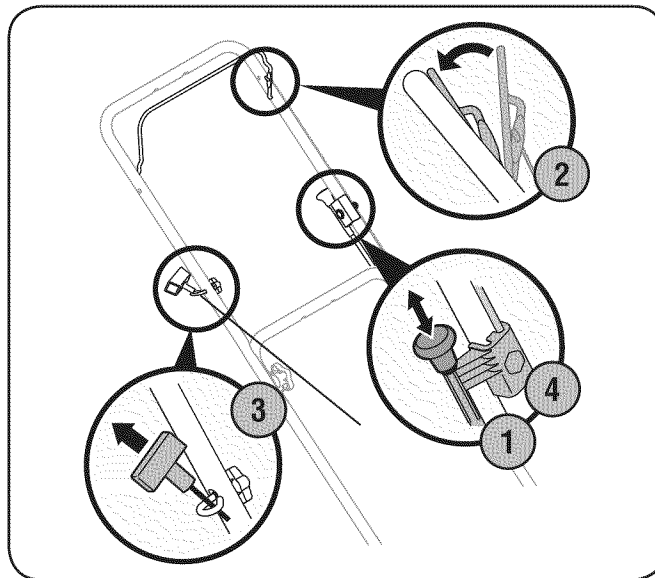


Figure 10-3

NOTE: Use of the choke may not be necessary if the engine is warm or the air temperature is high.

2. Standing behind the mower, depress the blade control handle and hold it against the upper handle.
3. Pull the starter grip lightly until resistance is felt, then pull rapidly to overcome compression, prevent kickback, and start engine. Repeat if necessary. See Fig. 10-3.

NOTE: Do not allow the starter grip to snap back against the rope guide. Return it gently to prevent damage to the starter.

4. When engine warms up, push in the choke knob. See Fig. 10-3.

Stopping The Engine

1. Release the blade control.



WARNING: Shut off the engine before performing any maintenance. To prevent accidental start-up, disconnect the spark plug boot.

IMPORTANT: If engine must be tipped to transport equipment or to inspect or remove grass, keep spark plug side of engine up. Transporting or tipping engine spark plug down may cause smoking, hard starting, spark plug fouling, or oil saturation of air cleaner.

Periodic inspection and adjustment of the engine is essential if high level performance is to be maintained. Regular maintenance will also ensure a long service life. The required service intervals and the kind of maintenance to be performed are described in the table below. Follow the hourly or calendar intervals, whichever occur first. More frequent service is required when operating in adverse conditions.



WARNING: If the engine has been running, the muffler will be very hot. Be careful not to touch the muffler.

Maintenance Schedule

	First 5 Hours	Each Use or Every 5 Hrs.	Every Season or 25 Hours	Every Season or 50 Hours	Every Season or 100 Hours	Service Dates
Check Engine Oil Level		✓				
Change Engine Oil ††	✓			✓		
Check Air Cleaner		✓				
Service Air Cleaner †					✓	
Check Spark Plug			✓			
Replace Spark Plug					✓	
Clean Engine Shroud		✓				
Clean around muffler		✓				
Replace Fuel Filter					✓	

† Service more frequently when used in dusty areas.

†† Every season or 25 hours if operating under heavy load or high ambient temperature.

Oil Service

- Check oil level regularly.
- Be sure correct oil level is maintained. Check every five hours or daily before starting engine. See oil checking procedure in the Operation section.

Oil Change

IMPORTANT: Be sure to check engine on a level surface with the engine stopped. Drain the oil while the engine is still warm to assure rapid and complete draining.

1. Remove all fuel from tank by running engine until it stops from lack of fuel.
2. Remove drain plug and allow oil to drain into a suitable container. See Fig. 10-1.

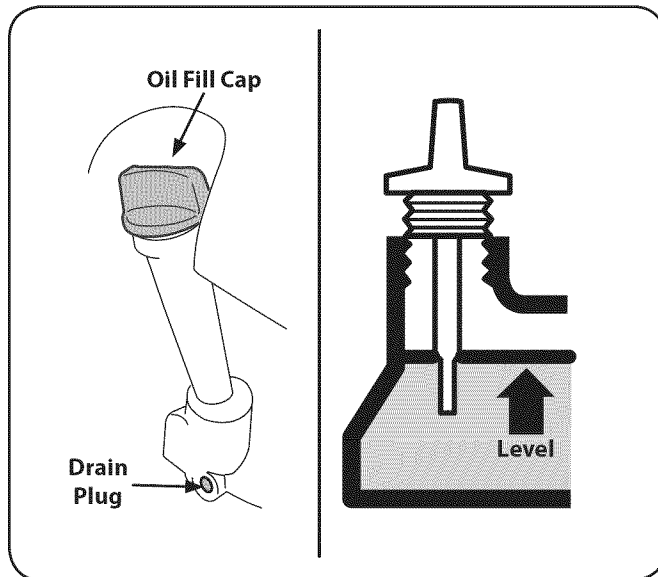


Figure 10-1



WARNING: Before tipping engine or equipment to drain oil, drain fuel from tank by running engine until fuel tank is empty.

3. Reinstall the drain plug and tighten it securely.
4. Refill with the recommended oil (see Operation section) and check the oil level. See Fig. 10-1.
5. Reinstall the oil fill cap securely.

IMPORTANT: Used motor oil may cause skin cancer if repeatedly left in contact with the skin for prolonged periods. Although this is unlikely unless you handle used oil on a daily basis, it is still advisable to thoroughly wash your hands with soap and water as soon as possible after handling used oil.

NOTE: Please dispose of used motor oil in a manner that is compatible with the environment. We suggest you take it in a sealed container to your local service station for reclamation. Do not throw it in the trash or pour it on the ground.

Air Cleaner Service

Paper filters cannot be cleaned and must be replaced once a year or every 100 operating hours; more often if used in extremely dusty conditions.



WARNING: Never use gasoline or low flash point solvents for cleaning the air cleaner element. A fire or explosion could result.

IMPORTANT: Never run the engine without the air cleaner. Rapid engine wear will result.

1. Remove the wing bolt and the air cleaner cover. Remove the elements and separate them. See Fig. 10-2. Replace paper element when dirty or damaged. Clean foam element or replace when damaged.

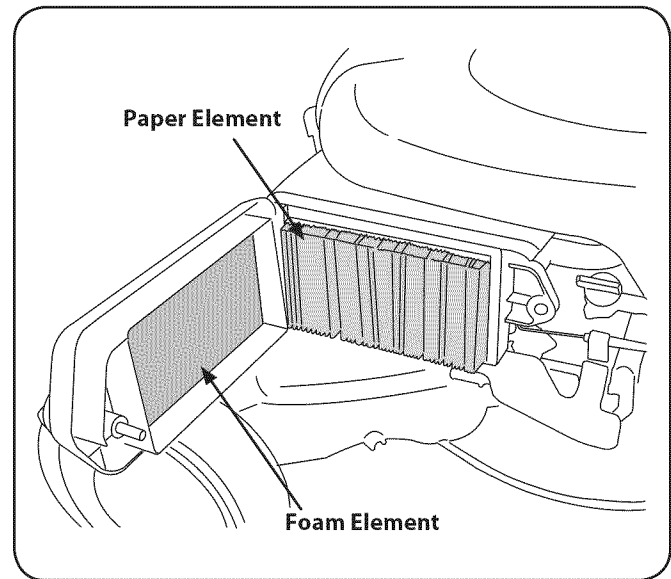


Figure 10-2

2. To clean foam element, separate it from the paper element and wash in liquid detergent and water. Allow to dry thoroughly before using. Do not oil the foam element.

Spark Plug Service



WARNING: DO NOT check for spark with spark plug removed. DO NOT crank engine with spark plug removed.

To ensure proper engine operation, the spark plug must be properly gapped and free of deposits.

1. Remove the spark plug boot and use a spark plug wrench to remove the plug. See Fig. 10-3.

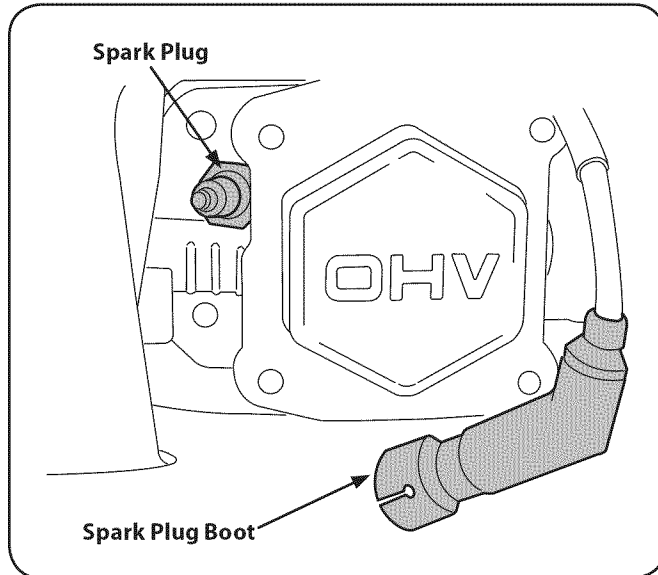


Figure 10-3



WARNING: If the engine has been running, the muffler will be very hot. Be careful not to touch the muffler.

2. Visually inspect the spark plug. Discard the spark plug if there is apparent wear, or if the insulator is cracked or chipped. Clean the spark plug with a wire brush if it is to be reused.

3. Measure the plug gap with a feeler gauge. Correct as necessary by bending side electrode. See Fig. 10-4. The gap should be set to 0.030 in.

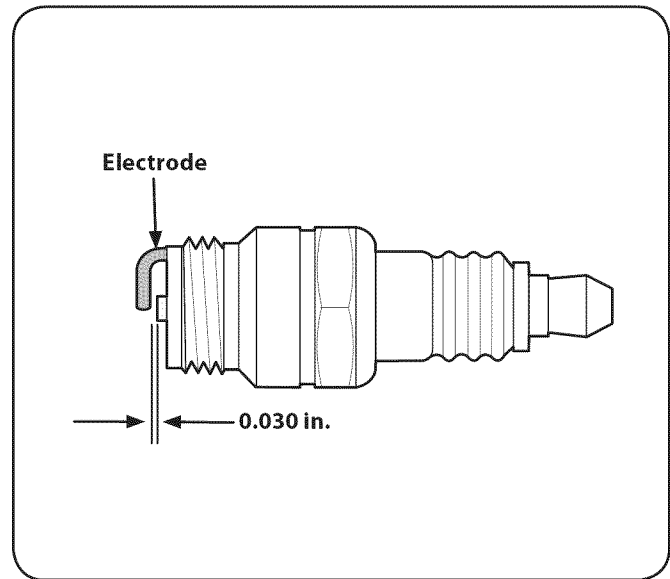


Figure 10-4

4. Check that the spark plug washer is in good condition and thread the spark plug in by hand to prevent cross-threading.
5. After the spark plug is seated, tighten with a spark plug wrench to compress the washer.

NOTE: When installing a new spark plug, tighten 1/2 turn after the spark plug seats to compress the washer. When reinstalling a used spark plug, tighten 1/8-1/4 turn after the spark plug seats to compress the washer.

IMPORTANT: The spark plug must be securely tightened. An improperly tightened spark plug can become very hot and may damage the engine.

Fuel Filter Service

The fuel filter cannot be cleaned and must be replaced once a year or every 100 operating hours; more often if run with old gasoline.

1. Remove all fuel from tank by running engine until it stops from lack of fuel.
2. Remove c-clamp from fuel line and remove fuel line from tank outlet. See Fig. 10-5.

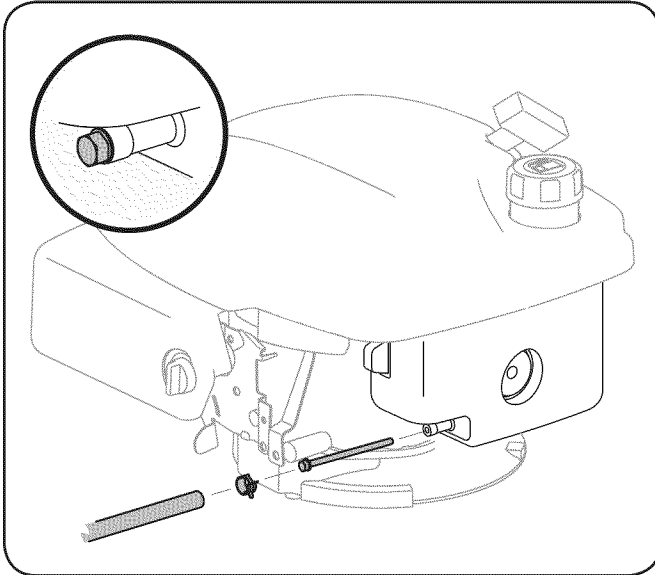


Figure 10-5

3. Pull out old fuel filter from tank outlet. Replace when dirty or damaged.
4. Grasp new fuel filter from shouldered end and insert it completely to the shoulder into the tank outlet. See Fig. 10-5 inset.
5. Replace fuel line and c-clamp.

Clean Engine

If the engine has been running, allow it to cool for at least half an hour before cleaning. Periodically remove dirt build-up from engine. Clean finger guard and around muffler. Clean with a brush or compressed air.

IMPORTANT: Do not spray engine with water to clean because water could contaminate fuel. Using a garden hose or pressure washing equipment can also force water into the air cleaner or muffler opening. Water in the air cleaner will soak the paper element, and water that passes through the element or muffler can enter the cylinder, causing damage.



WARNING: Accumulation of debris around muffler could cause a fire. Inspect and clean before every use.

Storage

Engines stored between 30 and 90 days need to be treated with a gasoline stabilizer and engines stored over 90 days need to be drained of fuel to prevent deterioration and gum from forming in fuel system or on essential carburetor parts. If the gasoline in your engine deteriorates during storage, you may need to have the carburetor, and other fuel system components, serviced or replaced.

1. Remove all fuel from tank by running engine until it stops from lack of fuel.



WARNING: Never leave engine unattended while running.

2. Change oil. See Oil Change section.
3. Remove spark plug and pour about 1/2 an ounce of engine oil into cylinder. Replace spark plug and crank slowly to distribute oil.
4. Clean debris from around engine, under finger guard, and under, around and behind muffler. Touch up any damaged paint, and coat other areas that may rust with a light film of oil.
5. Store in a clean, dry and well ventilated area away from any appliance that operates with a flame or pilot light, such as a furnace, water heater, or clothes dryer. Also avoid any area with a spark producing electric motor, or where power tools are operated.
6. If possible, also avoid storage areas with high humidity, because that promotes rust and corrosion.
7. Keep the engine level in storage. Tilting can cause fuel or oil leakage.

Removing From Storage

1. Check your engine as described in the Pre-Operation Check section of this manual.
2. If the fuel was drained during storage preparation, fill the tank with fresh gasoline. If you keep a container of gasoline for refueling, make certain it contains only fresh fuel. Gasoline oxidizes and deteriorates over time, causing hard starting.
3. If the cylinder was coated with oil during storage preparation, the engine will smoke briefly at startup. This is normal.



The EZ Start Promise

Provisions of Your Limited Warranty

In addition to the other terms and conditions of the Limited Warranty applicable to your new mower, MTD LLC ("MTD") hereby warrants that your mower's engine will start on the first or second attempt by an able-bodied adult (subject to the limitations described below) for the duration of the manufacturer's limited warranty applicable to your product. If the engine on your mower fails to conform to this limited warranty, MTD will cover the cost of parts and labor associated with any adjustments and/or repairs necessary to return your engine to its warranted condition. In order to make a claim under these provisions of your warranty, you must bring the product and proof of purchase to an authorized MTD service provider. In many cases, the retailer who sold you your mower is not equipped to provide warranty service, so please locate the authorized service dealer nearest you by either calling the phone number provided in your Operator's Manual or looking up an authorized service dealer on-line at www.mtdproducts.com.

Items and Conditions Not Covered

The EZ Start Promise does not cover and/or apply to the following:

- Cost of regular maintenance service or parts, such as filters, fuel, lubricants, oil changes, spark plugs, air filter, blade sharpening, worn blades, cable/linkage adjustments, or brake and clutch adjustments
- Transportation costs to and from an authorized MTD service provider
- Any engine used for commercial, rental, institutional, governmental, or non-residential applications
- Any product or part that has been altered or misused or required replacement or repair due to misuse, accidents, or lack of proper maintenance
- Repairs necessary due to improper battery care, electrical supply irregularities, or failure to properly prepare the mower prior to any period of non-use over three months
- Pickup and/or delivery charges
- Operational misuse, neglect, accidents, unauthorized repairs or attempted repairs of the engine or its components by anyone other than an authorized MTD service provider.

- Repairs or adjustments to correct starting difficulties due to any of the following: failure to follow proper maintenance procedures — rotary mower blade striking an object — contaminants in the fuel system — improper fuel or fuel/oil mixture (consult your Operator's Manual if in doubt) — failure to drain the fuel system prior to any period of non-use over three months
- Any starting problem which results from the use of inappropriate fuels, lubricants, or additives
- Special conditions or circumstances that normally require more than two pulls to start, specifically: 1) First start-up following your initial purchase, 2) first time starts after extended period(s) of non-use over one month or seasonal storage, 3) cool temperature starts such as those found in early spring and late autumn, and 4) difficult starting that results from the operator's failure to follow the proper starting procedures identified in the Operator's Manual. If you are having difficulty starting your unit, please check the Operator's Manual to ensure that you are using the correct starting procedures. This can save an unnecessary visit to a Service Dealer.

Owner Responsibilities

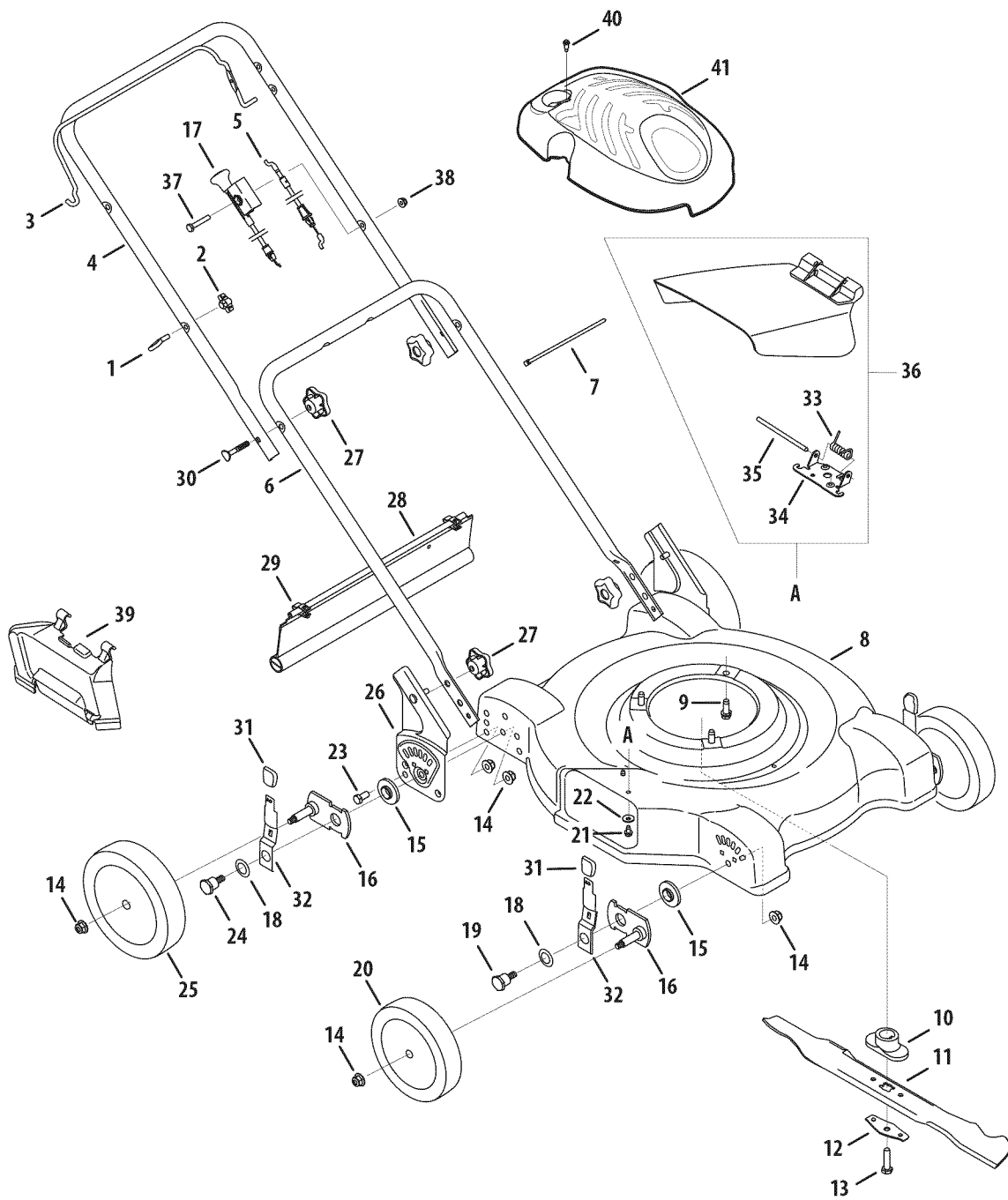
You must maintain your mower (including its engine) by following the maintenance procedures and starting instructions described in the Operator's Manual. Such routine maintenance, whether performed by a dealer or by you, is at your expense. In addition, please retain your proof of purchase and service receipts as these may be required to validate a claim.

General Conditions

An authorized MTD service provider using approved replacement parts must perform all repairs covered by the EZ Start Promise. Repair by an MTD authorized service dealer is your sole remedy under this warranty. MTD is not liable for indirect, incidental, or consequential damages in connection with the use of the products covered by these warranties, including any cost or expense of providing substitute equipment or service during reasonable periods of malfunction or non-use pending completion of repairs under this warranty.

Some states do not allow exclusions of incidental or consequential damages, or limitations on how long an implied warranty lasts, so certain exclusions and limitations may not apply to you.

Model 08M

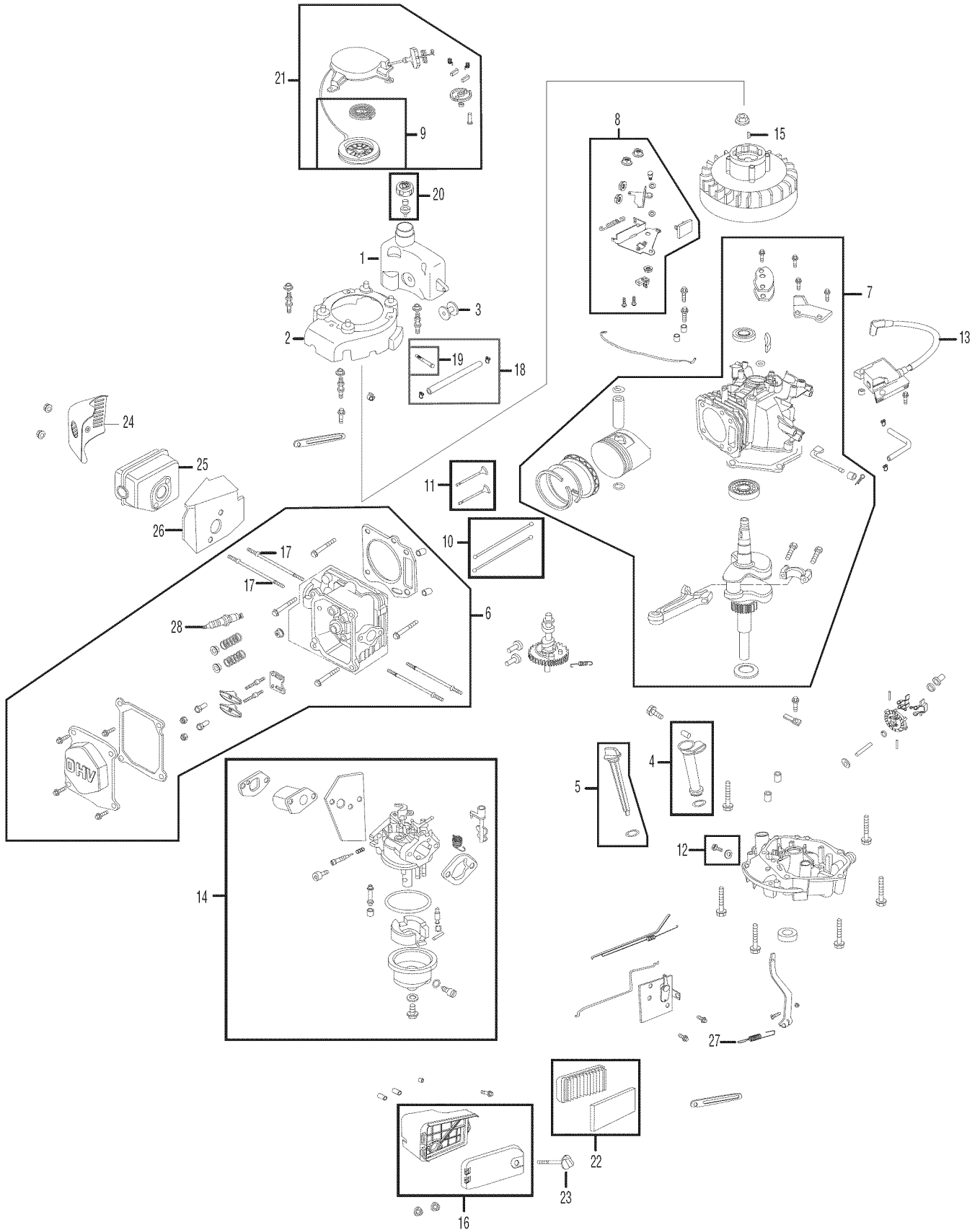


Ref.	Part Number	Description
1.	710-1205	Eye Bolt
2.	720-0279	Wing Nut
3.	747-1161A	Blade Control Handle
4.	749-1092A	Upper Handle
5.	746-04300	Control Cable
6.	749-04037	Lower Handle
7.	725-0157	Cable Tie
8.	687-02048	Deck Assembly, 22"
9.	710-0654A	TT Screw, 3/8-16 x 1.0
10.	748-0376A	Blade Adapter
11.	742-0642A	Standard Blade, 22"
	742-0742A†	Mulching Blade, 22"
12.	736-0524	Blade Bell Support
13.	710-1044	Screw, 3/8-24 x 1.5
14.	712-04065	Lock Nut, 3/8-16
15.	741-04242	Height Adjuster Bearing
16.	687-02342	Pivot Arm
17.	746-04295A	Choke Cable
18.	736-0741	Bell Washer, .760 OD x 1.25 OD
19.	738-1172	Shoulder Screw
20.	734-1988	Front Wheel, 7 x 1.8, Bar
21.	710-0599	TT Screw, 1/4-20 x .5

Ref.	Part Number	Description
22.	736-0270	Bell Washer, .265 ID x .75 OD
23.	710-0216	Screw, 3/8-16 x .75
24.	738-1173	Shoulder Screw
25.	734-1987	Rear Wheel, 8 x 1.8, Bar
26.	682-3064	Handle Bracket Assembly, RH
—	682-3065	Handle Bracket Assembly, LH
27.	720-04072	Star Knob
28.	731-04019	Trailshield
29.	17098	Hinge Clip
30.	710-1174	Carriage Bolt, 5/16-18 x 2
31.	720-0426	Knob
32.	732-1026	Lever
33.	732-1014	Torsion Spring
34.	17032A	Chute Hinge
35.	747-0710	Hinge Pin
36.	731-1034B	Hinged Chute Deflector Assembly
37.	710-0606	Screw, 1/4-20 x 1.50
38.	712-04064	Nut, Flange Lock, 1/4-20
39.	631-04045†	Mulching Baffle
40.	710-04577†	Screw, Machine, M4-.7
41.	731-06265†	Engine Shroud

† If Equipped

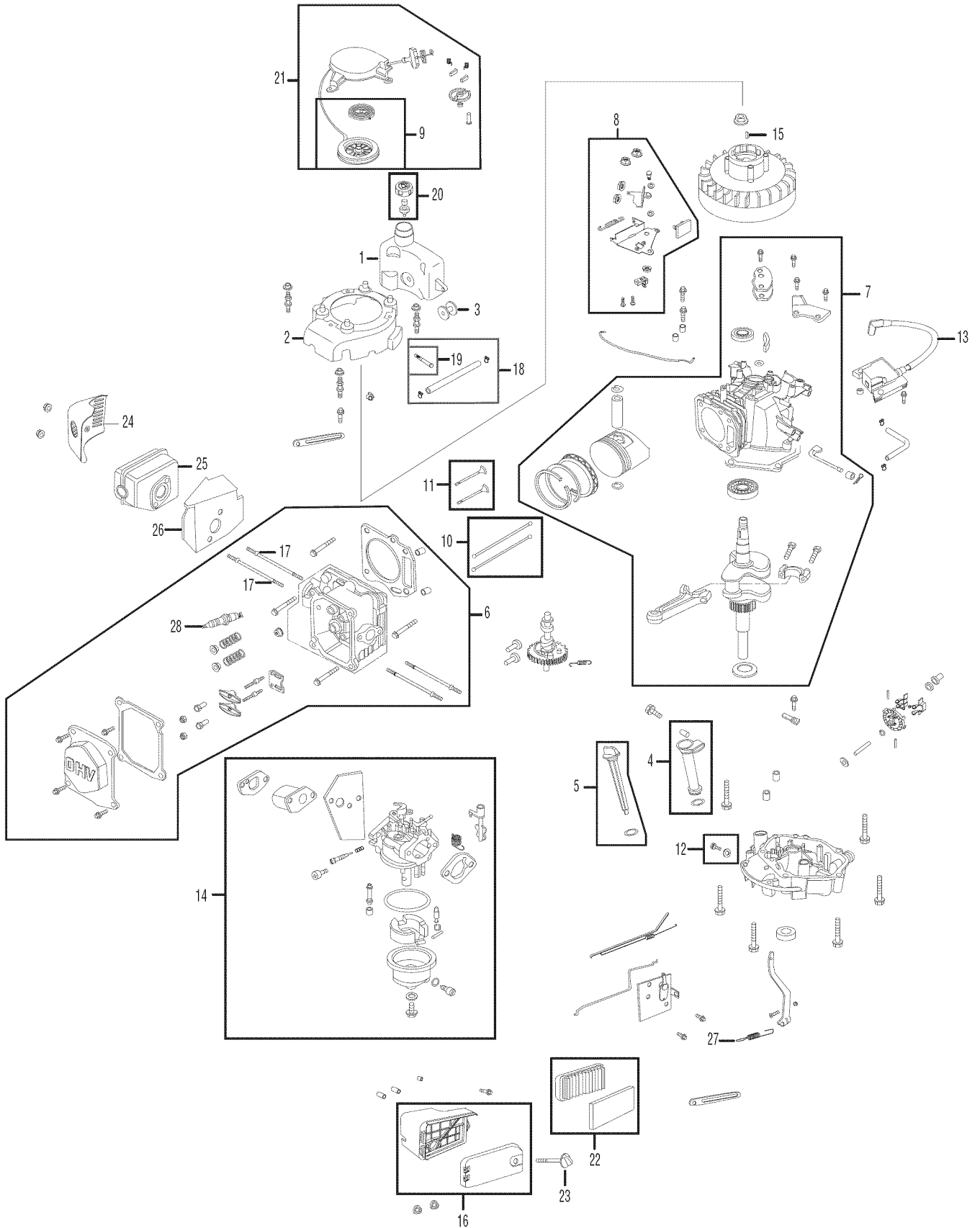
Engine Model - 1P61



Ref No.	Part Number	Description
1.	951-10337	Fuel Tank
2.	951-10336	Flywheel Shroud
3.	951-10335	Rubber Fuel Tank Mounting Washer
4.	951-10334	Oil Filler Tube Assembly
5.	951-10333	Dipstick Assembly
6.	951-10330	Cylinder Head Complete
7.	951-10327	Short Block Assembly
8.	951-10320	Stop Switch and Brake Assembly
9.	951-10319	Recoil Spring and Pulley Assembly
10.	951-10314	Push Rod Kit
11.	951-10313	Valve Kit
12.	951-10370	Oil Drain Plug and Washer Assembly
13.	951-10367	Ignition Coil
14.	951-10308	Carburetor Assembly
15.	951-10307	Flywheel Key
16.	951-10305	Air Cleaner Housing Assembly Complete
17.	951-10304	Muffler Stud Assembly
18.	951-10363	Fuel Line Kit – Inc. hoses, clamps & filter
19.	951-10358	Fuel Filter
20.	951-10300	Fuel Cap Assembly
21.	951-10299	Recoil Starter Assembly
22.	951-10298	Air Cleaner Kit
23.	951-10297	Air Cleaner Thumb Screw
24.	951-10296	Muffler Guard
25.	951-10295	Muffler
26.	951-10294	Muffler Gasket /Heat Shield
27.	951-10293	Governor Return Spring
28.	951-10292	Spark Plug
-	952Z1P61	Engine – Complete
-	951-10324	Carburetor Kit – Major
-	951-10322	Carburetor Kit – Minor
-	951-10316	Gasket Kit – Complete
-	951-10315	Gasket Kit – External

NOTE: Illustrated parts without a numeric call-out are not servicable components.

Engine Model - 1P65



Ref No.	Part Number	Description
1.	951-10337	Fuel Tank
2.	951-10336	Flywheel Shroud
3.	951-10335	Rubber Fuel Tank Mounting Washer
4.	951-10334	Oil Filler Tube Assembly
5.	951-10333	Dipstick Assembly
6.	951-10406	Cylinder Head Complete
7.	951-10407	Short Block Assembly
8.	951-10320	Stop Switch and Brake Assembly
9.	951-10319	Recoil Spring and Pulley Assembly
10.	951-10314	Push Rod Kit
11.	951-10313	Valve Kit
12.	951-10370	Oil Drain Plug and Washer Assembly
13.	951-10367	Ignition Coil
14.	951-10309	Carburetor Assembly
15.	951-10307	Flywheel Key
16.	951-10405	Air Cleaner Housing Assembly Complete
17.	951-10304	Muffler Stud Assembly
18.	951-10363	Fuel Line Kit – Inc. hoses, clamps & filter
19.	951-10358	Fuel Filter
20.	951-10300	Fuel Cap Assembly
21.	951-10299	Recoil Starter Assembly
22.	951-10298	Air Cleaner Kit
23.	951-10297	Air Cleaner Thumb Screw
24.	951-10404	Muffler Guard
25.	951-10403	Muffler
26.	951-10402	Muffler Gasket /Heat Shield
27.	951-10293	Governor Return Spring
28.	951-10292	Spark Plug
-	952Z1P65	Engine – Complete
-	951-10325	Carburetor Kit – Major
-	951-10322	Carburetor Kit – Minor
-	951-10409	Gasket Kit – Complete
-	951-10410	Gasket Kit – External
-	951-10351	Spark Arrestor

NOTE: Illustrated parts without a numeric call-out are not servicable components.

MTD CONSUMER GROUP (MTD), the California Air Resources Board (CARB) and the United States Environment Protection Agency (U. S. EPA)
Emission Control System Warranty Statement
(Owner's Defect Warranty Rights and Obligations)

EMISSION CONTROL SYSTEM COVERAGE IS APPLICABLE TO CERTIFIED ENGINES PURCHASED IN CALIFORNIA IN 2005 AND THEREAFTER, WHICH ARE USED IN CALIFORNIA, AND TO CERTIFIED MODEL YEAR 2005 AND LATER ENGINES WHICH ARE PURCHASED AND USED ELSEWHERE IN THE UNITED STATES.

California and elsewhere in the United States Emission Control Defects Warranty Coverage

The California Air Resources Board (CARB), U. S. EPA and MTD are pleased to explain the emissions control system warranty on your model year 2006 and later small off-road engine. In California, new small off-road engines must be designed, built and equipped to meet the States anti-smog standards. Elsewhere in the United States, new non-road, spark-ignition engines certified for model 2005 and later, must meet similar standards set forth by the U. S. EPA. MTD must warranty the emission control system on your engine for the period of time listed below, provided there has been no abuse, neglect or improper maintenance of your small off-road engine.

Your emission control system may include parts such as the carburetor, fuel-injection system, the ignition system, and catalytic converter, fuel tanks, fuel lines, fuel caps, valves, canisters, filters, vapor hoses, clamps, connectors, and other associated emission-related components.

Where a warrantable condition exists, MTD will repair your small off-road engine at no cost to you including diagnosis, parts and labor.

MANUFACTURER'S WARRANTY COVERAGE:

This emissions control system is warranted for two years. If any emission-related part on your engine is defective, the part will be repaired or replaced by MTD.

OWNER'S WARRANTY RESPONSIBILITIES:

As the small off-road engine owner, you are responsible for the performance of the required maintenance listed in your Owner's Manual. MTD recommends that you retain all your receipts covering maintenances on your small off-road engine, but MTD can not deny warranty solely for the lack of receipts or for your failure to ensure the performance to all scheduled maintenance.

As the small off-road engine owner, you should however be aware that MTD may deny your warranty coverage if your small off-road engine or part has failed due to abuse, neglect, improper maintenance or unapproved modifications.

You are responsible for presenting your small off-road engine to an Authorized MTD Service Dealer as soon as a problem exists. The warranted repairs should be completed in a reasonable amount of time, not to exceed 30 days.

If you have any questions regarding your warranty rights and responsibilities, you should contact a MTD Service Representative at 1-800-800-7310 and address is MTD CONSUMER GROUP, P.O. Box 361131, Cleveland OH, 44136-0019.

DEFECTS WARRANTY REQUIREMENTS FOR 1995 AND LATER SMALL OFF-ROAD ENGINES:

This section applies to 1995 and later small off-road engines. The warranty period begins on the date the engine or equipment is delivered to an ultimate purchaser.

(a) General Emissions Warranty Coverage

MTD must warrant to the ultimate purchaser and each subsequent purchaser that the engine is:

- (1) Designed, built, and equipped so as to conform with all applicable regulations adopted by the Air Resources Board pursuant to its authority in Chapters 1 and 2, Part 5, Division 26 of the Health and Safety Code; and
- (2) Free from defects in materials and workmanship that cause the failure of a warranted part to be identical in all material respects to the part as described in the engine manufacturer's application for certification for a period of two years.

(b) The warranty on emissions-related parts will be interpreted as follows:

- (1) Any warranted part that is not scheduled for replacement as required maintenance in the written instructions required by Subsection (c) must be warranted for the warranty period defined in Subsection (a)(2). If any such part fails during the period of warranty coverage, it must be repaired or replaced by MTD according to Subsection (4) below. Any such part repaired or replaced under the warranty must be warranted for the remaining warranty period.
- (2) Any warranted part that is scheduled only for regular inspection in the written instructions required by Subsection (c) must be warranted for the warranty period defined in Subsection (a)(2). A statement in such written instructions to the effect of "repair or replace as necessary" will not reduce the period of warranty coverage. Any such part repaired or replaced under warranty must be warranted for the remaining warranty period.
- (3) Any warranted part that which is scheduled for replacement as required maintenance in the written instructions required by Subsection (c) must be warranted for the period of time prior to the first scheduled replacement point for that part. If the part fails prior to the first scheduled replacement, the part must be repaired or replaced by MTD according to Subsection (4) below. Any such part repaired or replaced under warranty must be warranted for the remainder of the period prior to the first scheduled replacement point for the part.

(4) Repair or replacement of any warranted part under the warranty provisions of this article must be performed at no charge to the owner at a warranty station.

(5) Notwithstanding the provisions of Subsection (4) above, warranty services or repairs must be provided at all MTD distribution centers that are franchised to service the subject engines.

(6) The owner must not be charged for diagnostic labor that leads to the determination that a warranted part is in fact defective, provided that such diagnostic work is performed at a warranty station.

(7) The engine manufacturer is liable for damages to other engine components proximately caused by a failure under warranty of any warranted part.

(8) Throughout the engine's warranty period defined in Subsection (a)(2), MTD will maintain a supply of warranted parts sufficient to meet the expected demand for such parts.

(9) Any replacement part may be used in the performance of any warranty maintenance or repairs and must be provided without charge to the owner. Such use will not reduce the warranty obligations of MTD.

(10) Add-on or modified parts that are not exempted by the Air Resources Board may not be used. The use of any non-exempted add-on or modified parts shall be grounds for disallowing a warranty claim made in accordance with this article. The engine manufacturer shall not be liable under this article to warrant failures of warranted parts caused by the use of non-exempted add-on or modified part.

(c) MTD will include a copy of the following emission warranty parts list with each new engine, using those portions of the list applicable to the engine.

(1) Fuel Metering System

- Cold start enrichment system (soft choke)
- Carburetor and internal parts
- Fuel Pump
- Fuel Tank

(2) Air Induction System

- Air cleaner
- Intake manifold

(3) Ignition System

- Spark plug(s)
- Magneto Ignition System

(4) Exhaust System

- Catalytic converter
- SAI (Reed valve)

(5) Miscellaneous Items Used in Above System

- Vacuum, temperature, position, time sensitive valves and switches
- Connectors and assemblies

(6) Evaporative control

- Fuel Hose certified for ARB evaporative emission of 2006.
- Fuel Hose Clamps
- Tethered fuel cap
- Carbon canister
- Vapor lines

MANUFACTURER'S LIMITED WARRANTY FOR



The limited warranty set forth below is given by MTD LLC with respect to new merchandise purchased and used in the United States and/or its territories and possessions, and by MTD Products Limited with respect to new merchandise purchased and used in Canada and/or its territories and possessions (either entity respectively, "MTD").

"MTD" warrants this product (excluding its *Normal Wear Parts and Attachments* as described below) against defects in material and workmanship for a period of two (2) years commencing on the date of original purchase and will, at its option, repair or replace, free of charge, any part found to be defective in materials or workmanship. This limited warranty shall only apply if this product has been operated and maintained in accordance with the Operator's Manual furnished with the product, and has not been subject to misuse, abuse, commercial use, neglect, accident, improper maintenance, alteration, vandalism, theft, fire, water, or damage because of other peril or natural disaster. Damage resulting from the installation or use of any part, accessory or attachment not approved by MTD for use with the product(s) covered by this manual will void your warranty as to any resulting damage.

Normal Wear Parts are warranted to be free from defects in material and workmanship for a period of thirty (30) days from the date of purchase. Normal wear parts include, but are not limited to items such as: batteries, belts, blades, blade adapters, tines, grass bags, wheels, rider deck wheels, seats, snow thrower skid shoes, friction wheels, shave plates, auger spiral rubber, engine oil, air filters, spark plugs and tires.

Attachments — MTD warrants attachments for this product against defects in material and workmanship for a period of one (1) year, commencing on the date of the attachment's original purchase or lease. Attachments include, but are not limited to items such as: grass collectors and mulch kits.

HOW TO OBTAIN SERVICE: Warranty service is available, WITH PROOF OF PURCHASE, through your local authorized service dealer. To locate the dealer in your area:

In the U.S.A.

Check your Yellow Pages, or contact MTD LLC at P.O. Box 361131, Cleveland, Ohio 44136-0019, or call 1-800-800-7310, 1-330-220-4683 or log on to our Web site at www.mtdproducts.com.

In Canada

Contact MTD Products Limited, Kitchener, ON N2G 4J1, or call 1-800-668-1238 or log on to our Web site at www.mtdcanada.com.

This limited warranty does **not** provide coverage in the following cases:

- a. Log splitter pumps, valves, and cylinders have a separate one-year warranty.
- b. Routine maintenance items such as lubricants, filters, blade sharpening, tune-ups, brake adjustments, clutch adjustments, deck adjustments, and normal deterioration of the exterior finish due to use or exposure.

- c. Service completed by someone other than an authorized service dealer.
- d. MTD does not extend any warranty for products sold or exported outside of the United States and/or Canada, and their respective possessions and territories, except those sold through MTD's authorized channels of export distribution.
- e. Replacement parts that are not genuine MTD parts.
- f. Transportation charges and service calls.
- g. MTD does not warrant this product for commercial use.

No implied warranty, including any implied warranty of merchantability of fitness for a particular purpose, applies after the applicable period of express written warranty above as to the parts as identified. No other express warranty, whether written or oral, except as mentioned above, given by any person or entity, including a dealer or retailer, with respect to any product, shall bind MTD. During the period of the warranty, the exclusive remedy is repair or replacement of the product as set forth above.

The provisions as set forth in this warranty provide the sole and exclusive remedy arising from the sale. MTD shall not be liable for incidental or consequential loss or damage including, without limitation, expenses incurred for substitute or replacement lawn care services or for rental expenses to temporarily replace a warranted product.

Some states do not allow the exclusion or limitation of incidental or consequential damages, or limitations on how long an implied warranty lasts, so the above exclusions or limitations may not apply to you.

In no event shall recovery of any kind be greater than the amount of the purchase price of the product sold. **Alteration of safety features of the product shall void this warranty.** You assume the risk and liability for loss, damage, or injury to you and your property and/or to others and their property arising out of the misuse or inability to use the product.

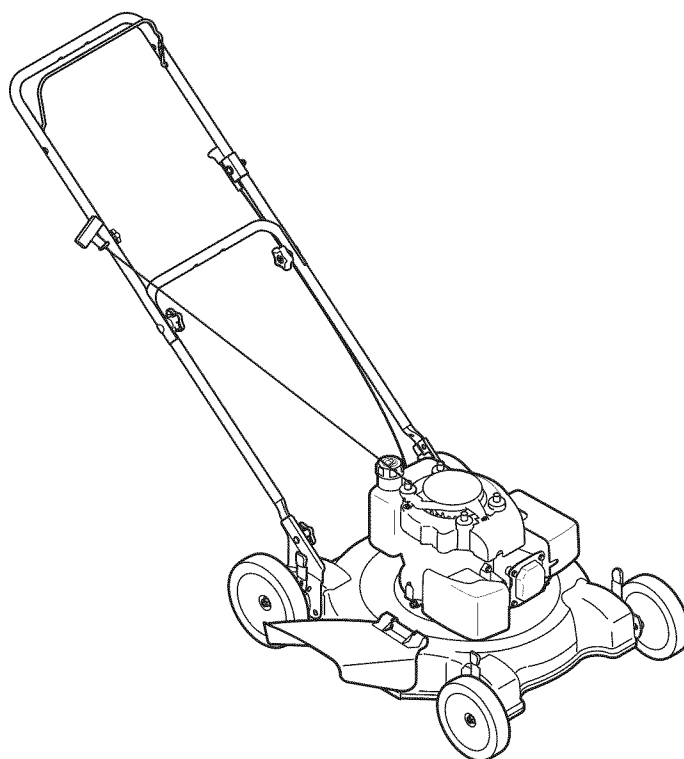
This limited warranty shall not extend to anyone other than the original purchaser or to the person for whom it was purchased as a gift.

HOW STATE LAW RELATES TO THIS WARRANTY: This limited warranty gives you specific legal rights, and you may also have other rights which vary from state to state.

IMPORTANT: Owner must present Original Proof of Purchase to obtain warranty coverage.

MTD LLC, P.O. BOX 361131 CLEVELAND, OHIO 44136-0019; Phone: 1-800-800-7310, 1-330-220-4683
MTD Canada Limited - KITCHENER, ON N2G 4J1; Phone 1-800-668-1238

MANUAL DEL OPERADOR



Podadora de Empuje — Modelo 08M

⚠ ADVERTENCIA

**LEA Y SIGA TODAS LAS INSTRUCCIONES DE ESTE MANUAL ANTES DE PONER EN
FUNCIONAMIENTO ESTA MÁQUINA.
SI NO RESPETA ESTAS INSTRUCCIONES PUEDE PROVOCAR LESIONES PERSONALES.**

MTD LLC, P.O. BOX 361131 CLEVELAND, OHIO 44136-0019

Gracias

Gracias por comprar una máquina podadora fabricada por MTD LLC. La misma ha sido diseñada cuidadosamente para brindar excelente rendimiento si se la opera y mantiene correctamente.

Por favor lea todo este manual antes de operar el equipo. Le indica cómo configurar, operar y mantener la máquina con seguridad y fácilmente. Por favor asegúrese de seguir cuidadosamente y en todo momento las prácticas de seguridad recomendadas, y hacérselas seguir a cualquier otra persona que opere la máquina. En caso de no hacerlo podrían producirse lesiones personales o daños materiales.

Toda la información contenida en este manual hace referencia a la más reciente información de producto disponible en el momento de la impresión. Revise el manual frecuentemente para familiarizarse con la unidad, sus características y funcionamiento. Por favor tenga en cuenta que este Manual del Operador puede cubrir una gama de especificaciones de productos de diferentes modelos. Las características y funciones incluidas y/o ilustradas en este manual pueden no ser aplicables a todos los modelos. MTD se reserva el derecho de modificar las especificaciones de los productos, los diseños y el equipo

estándar sin previo aviso y sin generar responsabilidad por obligaciones de ningún tipo.

Este producto cumple con las estrictas normas de seguridad del Outdoor Power Equipment Institute y de un laboratorio de pruebas independiente. Si tiene algún problema o duda respecto a la unidad, llame a un distribuidor de servicio MTD autorizado o póngase en contacto directamente con nosotros. Los números de teléfono, dirección del sitio web y dirección postal de la Asistencia al Cliente de MTD se encuentran en esta página. Queremos garantizar su entera satisfacción en todo momento.

En este manual, las referencias al lado *derecho* o *izquierdo* de la máquina se observan desde la posición del operador.

El fabricante del motor es el responsable de todas las cuestiones relacionadas con el rendimiento, potencia de salida, especificaciones, garantía y mantenimiento del motor. Para obtener mayor información consulte el Manual del Propietario / Operador entregado por el fabricante del motor, que se envía, en un paquete por separado, junto con su unidad.

Índice

Importante Medidas importantes de seguridad..	3	Servicio.....	14
Ensamblado y Configuración.....	8	Solución de Problemas	15
Controles y Características.....	11	Funcionamiento de Motor	17
Funcionamiento	12	Mantenimiento de Motor	19
Mantenimiento y Ajustes.....	13	Piezas de Reemplazo	24 (Manual inglés)

Registro de información de producto

Antes de configurar y operar su equipo nuevo, por favor localice la placa del modelo en el equipo y registre la información en el área situada a la derecha. Para encontrar la placa de modelo, colóquese detrás de la unidad en la posición del operador y mire hacia la parte inferior de la sección trasera del chasis. Si tiene que solicitar soporte técnico a través de nuestro sitio web, el Departamento de Asistencia al Cliente, o de un distribuidor de servicio autorizado local, necesitará esta información.

NÚMERO DE MODELO

--	--	--	--	--	--	--	--	--	--	--	--

NÚMERO DE SERIE

--	--	--	--	--	--	--	--	--	--	--	--

Asistencia al Cliente

Por favor, NO devuelva la unidad al minorista o distribuidor sin ponerse en contacto primero con el Departamento de Asistencia al Cliente.

En caso de tener problemas para montar este producto o de tener dudas con respecto a los controles, funcionamiento o mantenimiento del mismo, puede solicitar la ayuda de expertos. Elija entre las opciones que se presentan a continuación:

- ◇ Visite nuestro sitio web en www.mtdproducts.com
- ◇ Llame a un representante de Asistencia al Cliente al (800) 800-7310 ó (330) 220-4683
- ◇ Escribanos a MTD LLC • P.O. Box 361131 • Cleveland, OH • 44136-0019

Medidas importantes de seguridad

2



ADVERTENCIA: La presencia de este símbolo indica que se trata de instrucciones importantes de seguridad que se deben respetar para evitar poner en peligro su seguridad personal y/o material y la de otras personas. Lea y siga todas las instrucciones de este manual antes de poner en funcionamiento esta máquina. Si no respeta estas instrucciones puede provocar lesiones personales.

CUANDO vea este símbolo. **¡TENGA EN CUENTAS LAS ADVERTENCIAS!**

PROPOSICIÓN 65 DE CALIFORNIA



ADVERTENCIA: El escape del motor de este producto, algunos de sus componentes y algunos componentes del vehículo contienen o liberan sustancias químicas que el estado de California considera que pueden producir cáncer, defectos de nacimiento u otros problemas reproductivos.



ADVERTENCIA: Los postes de batería, los terminales, y los accesorios relacionados contienen plomo y compuestos de plomo, productos químicos conocidos al Estado de California causar el cáncer y el daño reproductivo. Lave manos después del manejo.



PELIGRO: Esta máquina está diseñada para ser utilizada respetando las normas de seguridad contenidas en este manual. Al igual que con cualquier tipo de equipo motorizado, un descuido o error por parte del operador puede producir lesiones graves. Esta máquina es capaz de amputar dedos, manos y pies y de arrojar objetos extraños con gran fuerza. De no respetar las instrucciones de seguridad siguientes se pueden producir lesiones graves o la muerte.

Funcionamiento

Funcionamiento general:

1. Lea y siga todas las instrucciones contenidas en este manual antes de intentar ensamblar esta máquina. Lea, comprenda y siga todas las instrucciones que figuran en la máquina y en el o los manuales antes de intentar operarla. Familiarícese completamente con los controles y con el uso apropiado de esta máquina antes de operarla. Guarde este manual en un lugar seguro para referencias futuras y regulares y para solicitar repuestos.
2. Esta máquina es una pieza de equipo de precisión, no un juguete. Por tanto, tenga la máxima precaución en todo momento. Su unidad ha sido diseñada para realizar una tarea: cortar el césped. No la utilice con ningún otro propósito.
3. No permita nunca que los niños menores de 14 años operen esta máquina. Los niños de 14 años y más deben leer y comprender las instrucciones contenidas en este manual y deben ser capacitados y supervisados por uno de los padres. Únicamente los individuos responsables que se hayan familiarizado con estas reglas de seguridad para la operación deberán usar esta máquina.
4. Inspeccione minuciosamente el área en donde utilizará el equipo. Saque todas las piedras, palos, cables, huesos, juguetes y otros objetos extraños con los que podría tropezar o que podrían ser arrojados por la cuchilla. Los objetos arrojados por la máquina pueden producir lesiones graves. Planifique el patrón en el que va a ir descargando el recorte para evitar que la descarga de material se realice hacia los caminos, las veredas, los observadores, etc. Evite además descargar material contra las paredes y obstrucciones que podrían provocar que el material descargado rebote contra el operador.
5. Para ayudar a evitar el contacto con la cuchilla o una lesión por un objeto arrojado, manténgase en la zona del operador detrás de las manijas y mantenga a los niños, observadores, ayudantes y mascotas apartados al menos 25 metros de la podadora mientras está en operación. Detenga la máquina si alguien entra en la zona.
6. Para protegerse los ojos utilice siempre anteojos o antiparras de seguridad mientras opera la máquina o mientras la ajusta o repara. Los objetos arrojados que rebotan pueden lesionar gravemente la vista.
7. Utilice zapatos de trabajo resistentes, de suela fuerte y pantalones y camisas ajustados. Se recomienda utilizar camisas y pantalones que cubran los brazos y las piernas, así como calzado con puntas reforzadas en acero. Nunca opere esta máquina con los pies desnudos, sandalias, o con zapatos ligeros o con los que se pueda resbalar (por ejemplo, calzado de lona).

8. No ponga las manos o los pies cerca de las piezas rotatorias o en la tolva de la cortadora. El contacto con las cuchillas puede producir la amputación de manos y pies.
9. Una cubierta de descarga faltante o dañada puede provocar el contacto con la cuchilla o lesiones por objetos arrojados.
10. Muchas lesiones ocurren como resultado de pasar la cortadora sobre los pies durante una caída provocada por derrapes o tropiezos. No se sostenga de la podadora si se está cayendo, suelte la manija inmediatamente.
11. Nunca tire hacia usted la podadora mientras camina. Si debe retroceder la podadora para evitar una pared u obstáculo, mire primero abajo y atrás para evitar tropezarse y luego siga estos pasos:
 - a. Retroceda de la podadora hasta estirar completamente sus brazos.
 - b. Asegúrese que está bien equilibrado y bien parado.
 - c. Tire de la podadora lentamente hacia usted, no más allá de la mitad de la distancia entre usted y la podadora.
 - d. Repita estos pasos como se requiera.
12. No opere esta máquina estando bajo los efectos del alcohol o de drogas.
13. No embrague el mecanismo de autopropulsión en unidades con este equipo mientras arranca el motor.
14. El mecanismo de control de la cuchilla es un dispositivo de seguridad. Nunca intente desviarse de su funcionamiento. De hacerlo no funcionarían los dispositivos de seguridad y podrían producirse lesiones personales por el contacto con las cuchillas giratorias. Las manijas de control de la cuchilla deben funcionar bien en ambas direcciones y regresar automáticamente a la posición de desengrane cuando se las suelta.
15. Nunca opere la podadora en césped húmedo. Siempre esté seguro de su equilibrio. Si tropieza y cae puede lesionarse gravemente. Si siente que pierde el equilibrio, suelte inmediatamente la manija de control de la cuchilla y la cuchilla dejará de girar en tres segundos.
16. Corte el césped solamente con luz de día o con una buena luz artificial. Camine, nunca corra.
17. Detenga la cuchilla cuando cruce caminos de gravilla, pasos o andadores.
18. Si la máquina comenzara a vibrar de manera anormal, detenga el motor, y busque inmediatamente la causa. La vibración por lo general es una advertencia de algún problema.
19. Apague el motor y espere hasta que la cuchilla se detenga completamente antes de retirar la guarda para el recorte de césped o desatorar la tolva. La cuchilla continúa girando por unos cuantos segundos después que el motor se ha apagado. Nunca coloque ninguna parte del cuerpo en el área de la cuchilla hasta que esté seguro que la cuchilla ha detenido su movimiento rotatorio.
20. Nunca opere la cortadora sin las guardas apropiadas, cubierta de descarga, guarda para recorte, manija de control de la cuchilla y otros dispositivos de seguridad y protección en su lugar y funcionando. Nunca opere la cortadora si los dispositivos de seguridad están dañados. Si no lo hace, esto puede tener como resultado lesiones.
21. El silenciador y el motor se calientan y pueden producir quemaduras. No los toque.
22. Utilice solamente partes y accesorios fabricados especialmente para esta máquina, originales del fabricante (OEM). Si no lo hace, esto puede tener como resultado lesiones personales.
23. Para encender el motor, jale de la cuerda lentamente hasta que sienta resistencia, luego jale rápidamente. El repliegue rápido de la cuerda de arranque (tensión de retroceso) le jalará la mano y el brazo hacia el motor más rápido de lo que usted puede soltar. El resultado pueden ser huesos rotos, fracturas, hematomas o esguinces.
24. Si se presentan situaciones que no están previstas en este manual sea cuidadoso y use el sentido común. Marque para contactar el departamento de atención al cliente y obtener el nombre de su distribuidor más cercano.

Funcionamiento en pendientes

Las pendientes son un factor importante que se relaciona con los accidentes producidos por derrapes y caídas y que pueden producir lesiones graves. La operación en pendientes requiere mayor precaución. Si no se siente seguro en una pendiente, no la pade. Para seguridad, use el medidor de pendientes que se incluye como parte de este manual para medir la pendiente antes de operar la unidad en una zona inclinada. Si la pendiente supera los 15 grados, no la pade.

Haga lo siguiente:

1. Mueva la podadora a través de las caras de la pendiente, nunca hacia arriba y abajo. Tenga cuidado cuando cambie de dirección cuando opere la máquina en pendientes.
2. Esté atento a los agujeros, raíces, rocas, objetos ocultos o abultamientos que puedan provocar que se derrape o se tropiece. El césped alto puede ocultar obstáculos.
3. Siempre esté seguro de su equilibrio. Si tropieza y cae puede lesionarse gravemente. Si siente que pierde el equilibrio, suelte inmediatamente la manija de control de la cuchilla y la cuchilla dejará de girar en tres (3) segundos.

No haga lo siguiente:

1. No corte el césped cerca de pozos, hundimientos, bancos, podría perder el equilibrio.
2. No pade pendientes mayores de 15 grados como lo indica el medidor de pendientes.
3. No pade el césped húmedo. Si no está firmemente parado, puede resbalarse.

Niños

Pueden ocurrir accidentes trágicos si el operador no está atento a la presencia de niños. Por lo general a los niños les atraen las podadoras y la actividad de podar el césped. No entienden los riesgos ni los peligros. Nunca dé por sentado que los niños permanecerán en el mismo lugar donde los vio por última vez.

- Mantenga a los niños fuera del área de trabajo y bajo estricta vigilancia de un adulto responsable además del operador.
- Esté alerta y apague la podadora si un niño ingresa al área.
- Antes y mientras se está moviendo hacia atrás, mire hacia atrás y cuide que no haya niños.
- Tenga extrema precaución cuando se aproxime a esquinas ciegas, entradas de puertas, árboles u otros objetos que puedan obstaculizarle la vista de un niño que pudiese correr hacia la podadora.
- Mantenga alejados a los niños de los motores en marcha o calientes. Pueden sufrir quemaduras con un silenciador caliente.
- Nunca permita que niños menores de 14 años operen esta máquina. Los niños mayores de 14 años deben leer y entender las instrucciones de operación y reglas de seguridad contenidas en este manual y deben ser entrenados y supervisados por sus padres.
- Limpie la gasolina derramada sobre el motor y el equipo. Traslade la máquina a otra zona. Espere 5 minutos antes de encender el motor.
- Nunca almacene la máquina o el recipiente de combustible en un espacio cerrado donde haya fuego, chispas o aparatos con piloto como por ejemplo, calentadores de agua, calentadores, hornos, secadores de ropa u otros aparatos a gas.
- Para reducir el riesgo de incendio mantenga la máquina limpia de pasto, hojas y de acumulación de otros escombros. Limpie los derrames de aceite o combustible y saque todos los desechos embebidos con combustible.
- Deje que la máquina se enfríe 5 minutos por lo menos antes de almacenarla.

Funcionamiento general:

Servicio

Manejo seguro de la gasolina:

- Para evitar lesiones personales o daños materiales sea sumamente cuidadoso al manipular la gasolina. La gasolina es altamente inflamable y los vapores son explosivos. Se puede lesionar gravemente si derrama gasolina sobre usted o sobre la ropa ya que se puede encender.
- Utilice sólo recipientes para gasolina autorizados.
- Nunca llene los contenedores en el interior de un vehículo o camión o caja de camioneta con recubrimientos plásticos. Coloque siempre los recipientes en el piso y lejos del vehículo antes de llenarlos.
- Retire el equipo a gasolina del camión o remolque y llénelo en el piso. Si esto no es posible, entonces llene dicho equipo en un remolque con un recipiente portátil, en vez de desde un dispensador de gasolina.
- Mantenga la boquilla de llenado en contacto con el borde de la entrada del tanque de gasolina o contenedor en todo momento hasta que esté lleno. No utilice un dispositivo para abrir/cerrar la boquilla.
- Apague todos los cigarrillos, cigarros, pipas y otras fuentes de combustión.
- Nunca cargue combustible en la máquina en interiores porque los vapores inflamables podrían acumularse en el área.
- Nunca saque la tapa del gas ni agregue combustible mientras el motor está caliente o en marcha. Deje que el motor se enfríe por lo menos dos minutos antes de volver a cargar combustible.
- Nunca recargue el tanque de combustible. Llene el tanque no más de 1 pulgada por debajo de la base del cuello de llenado para dejar espacio para la expansión del combustible.
- Vuelva a colocar la tapa de la gasolina y ajústela bien.
- Nunca encienda un motor en espacios cerrados o en una zona con poca ventilación. El escape del motor contiene monóxido de carbono, un gas inodoro y letal.
- Antes de limpiar, reparar o inspeccionar la máquina, compruebe que la cuchilla y todas las partes que se mueven se han detenido. Desconecte el cable de la bujía y póngalo de manera que haga masa contra el motor para evitar que se encienda de manera accidental.
- Revise los pernos de montaje de la cuchilla y del motor a intervalos frecuentes para verificar que estén bien apretados. Inspeccione además visualmente la cuchilla en busca de daños (abolladuras, desgaste, roturas, etc.). Reemplace la cuchilla con equipo original del fabricante (OEM) listado en este manual. "La utilización de partes que no cumplan con las especificaciones de equipos originales podría tener como resultado un rendimiento incorrecto y además la seguridad podría estar comprometida"
- Las cuchillas de las podadoras son muy afiladas y podrían cortarlo. Envuelva la cuchilla o utilice guantes y extreme precauciones cuando le de servicio.
- Mantenga todos los pernos, tuercas y tornillos bien ajustados para asegurarse que la máquina se encuentra en condiciones seguras de operación.
- Nunca manipule los dispositivos de seguridad de manera imprudente. Controle periódicamente que funcionen de forma adecuada.
- Después de golpear con algún objeto extraño, detenga el motor, desconecte el cable de la bujía y conecte el motor a masa. Inspeccione minuciosamente la máquina para determinar si está dañada. Repare el daño antes de encenderla y operarla.
- Nunca trate de ajustar una rueda o la altura de corte mientras el motor está en marcha.
- Los componentes de la tolva para recorte, cubierta de descarga y escudo de riel, están sujetos a desgaste y daños que podría dejar expuestas partes que se mueven o permitir que se arrojen objetos. Para proteger su seguridad, verifique frecuentemente todos los componentes y reemplácelos sólo con partes de los fabricantes de equipos originales (O.E.M.) listadas en este

manual. "La utilización de partes que no cumplan con las especificaciones de equipos originales podría tener como resultado un rendimiento incorrecto y además la seguridad podría estar comprometida"

10. No cambie la configuración del regulador del motor ni acelere demasiado el mismo. El regulador controla la velocidad máxima segura de operación del motor.
11. Verifique frecuentemente la línea de combustible, el tanque, el tapón, y los accesorios buscando rajaduras o pérdidas. Reemplace de ser necesario.
12. No dé arranque al motor si no está la bujía de encendido.
13. Mantenga o reemplace las etiquetas de seguridad, según sea necesario.
14. Observe las leyes y normas aplicables para disponer adecuadamente de los desechos. La descarga inapropiada de líquidos o materiales puede dañar el medio ambiente.

No modifique el motor

Para evitar lesiones graves o la muerte, no modifique el motor bajo ninguna circunstancia. Si cambia la configuración del regulador el motor puede descontrolarse y operar a velocidades inseguras. Nunca cambie la configuración de fábrica del regulador del motor.

Aviso referido a emisiones

Los motores que están certificados y cumplen con las regulaciones de emisiones federales EPA y de California para SORE (Equipos pequeños todo terreno) están certificados para operar con gasolina común sin plomo y pueden incluir los siguientes sistemas de control de emisiones: Modificación de motor (EM) y catalizador de tres vías (TWC) si están equipados de esa manera.

Guardachispas



ADVERTENCIA:ESTA máquina está equipada con un motor de combustión interna y no debe ser utilizada en o cerca de un terreno agreste cubierto por bosque, malezas o hierba excepto si el sistema de escape del motor está equipado con un amortiguador de chispas que cumpla con las leyes locales o estatales correspondientes, en caso de haberlas.

Si se utiliza un amortiguador de chispas el operador lo debe mantener en condiciones de uso adecuadas. En el Estado de California las medidas anteriormente mencionadas son exigidas por ley (Artículo 4442 del Código de Recursos Públicos de California). Es posible que existan leyes similares en otros estados. Las leyes federales se aplican en territorios federales.

Puede conseguir el amortiguador de chispas para el silenciador a través de su distribuidor autorizado de motores o poniéndose en contacto con el departamento de servicios, P.O. Box 361131 Cleveland, Ohio 44136-0019.

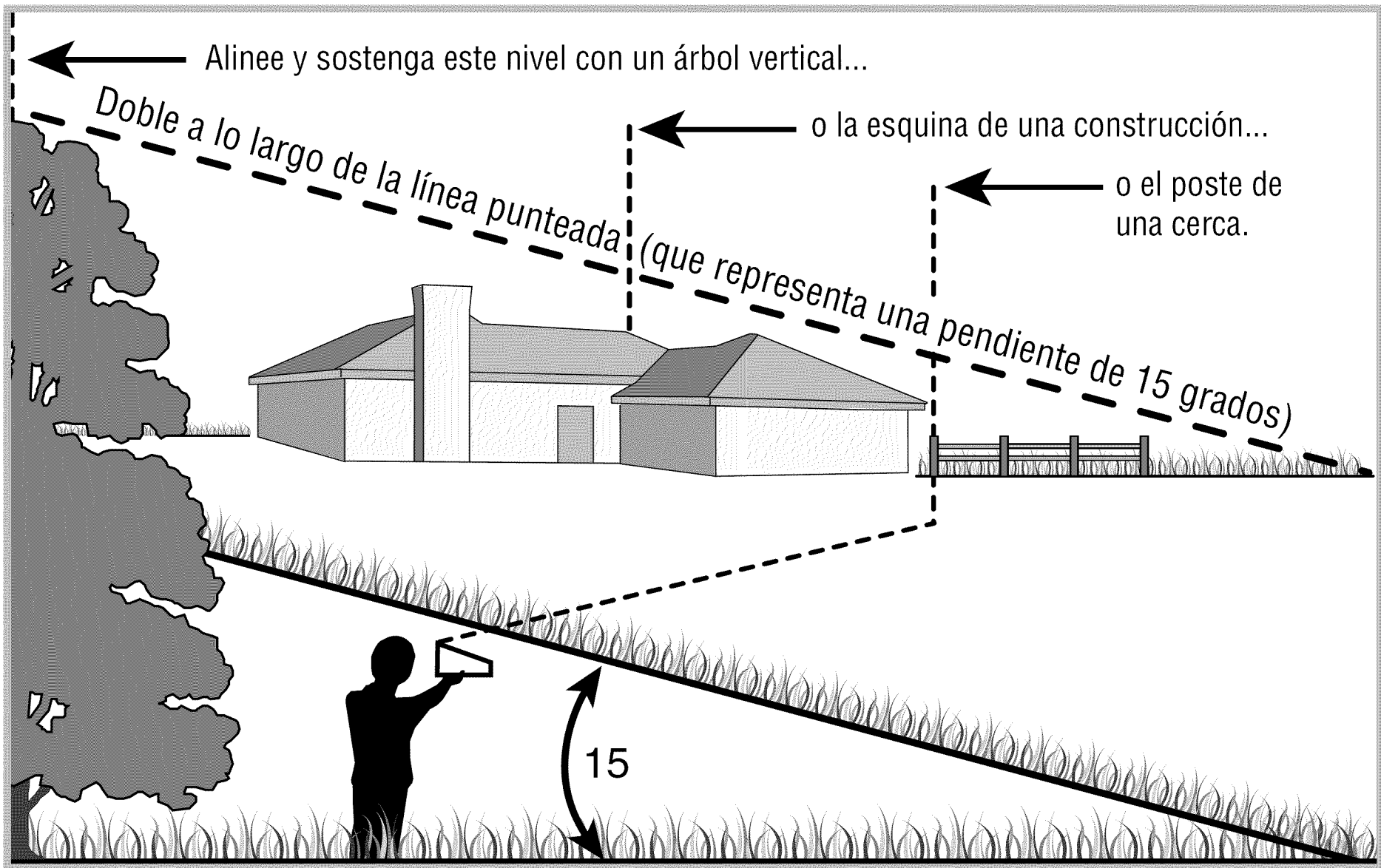
Vida útil media

Según la Comisión de Seguridad de Productos para el Consumidor de los Estados Unidos (CPSC) y la Agencia de Protección Ambiental de los Estados Unidos (EPA), este producto tiene una *vida útil media* de siete (7) años, ó 140 horas de funcionamiento. Al finalizar la *vida útil media*, adquiera una máquina nueva o haga inspeccionar anualmente ésta por un distribuidor de servicio autorizado para cerciorarse de que todos los sistemas mecánicos y de seguridad funcionan correctamente y no tienen excesivo desgaste. Si no lo hace, pueden producirse accidentes, lesiones o muerte.



ADVERTENCIA: Su responsabilidad—Restrinja el uso de esta máquina motorizada a las personas que lean, comprendan y respeten las advertencias e instrucciones que figuran en este manual y en la máquina.

GUARDE ESTAS INSTRUCCIONES



Use esta página como guía para determinar las inclinaciones de las pendientes en las que podría no tener una operación segura.



WARNING: No opere en inclinaciones mayores a 15 grados (elevación aproximada de 2 1/2 pies por cada 10 pies). Una podadora en movimiento podría voltearse y causar lesiones severas. Opere las podadoras MONTABLES arriba y abajo de las pendientes, nunca cruzando el frente de las pendientes. Opere las podadoras QUE SE EMPUJAN de manera que crucen el frente de las pendientes, nunca hacia arriba y hacia abajo.

Contenido de la caja

- Una Podadora
- Uno Manual de Operador
- Uno Botella del Aceite

Montaje

NOTA: Esta unidad se envía sin gasolina ni aceite en el motor. Llene con gasolina y aceite como se indica en las instrucciones que se incluyen en el manual de motor adjunto ANTES de poner en funcionamiento su podadora.

1. Para el embarque, el deflector del canal en su podadora se mantiene en posición vertical mediante una retención. Quite la retención como sigue:
 - a. Empuje el deflector de canal hacia arriba hacia el motor. Mantenga el deflector en esta posición mientras quita la retención y la desecha. Vea la Fig. 3-1.
 - b. Baje cuidadosamente el deflector de canal manteniendo sus dedos fuera del alcance.

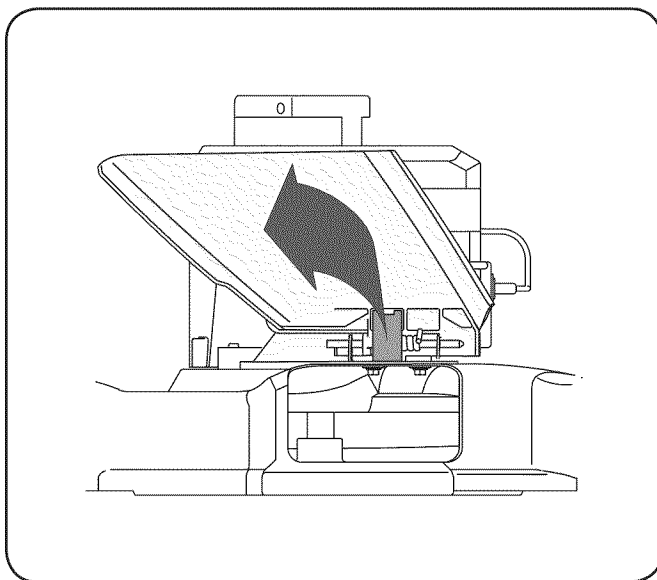


Figura 3-1

Manija

1. Realice la secuencia a continuación para ajustar la manija:

NOTE: Su podadora se envía con la manija en la posición elevada.

- a. Levante la manija superior desde su posición plegada y tire de la misma hasta la posición extendida siguiendo la flecha en la Fig. 3-2. La manija debe hacer clic cuando esté en su posición.

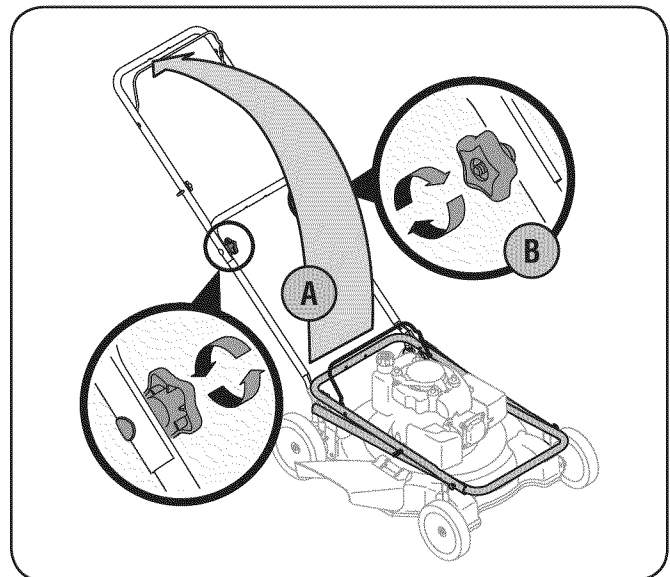


Figura 3-2

- b. Asegúrese de que el bulón de carro esté apropiadamente asentado en la manija. Apriete las tuercas de mariposa para sujetar la manija superior a la manija inferior.

- Si está satisfecho con la altura de la manija, apriete las tuercas de mariposa en los extremos de la manija inferior mostrados en la Fig. 3-3. Para comodidad de la operación, puede ajustar la altura de la manija como sigue:

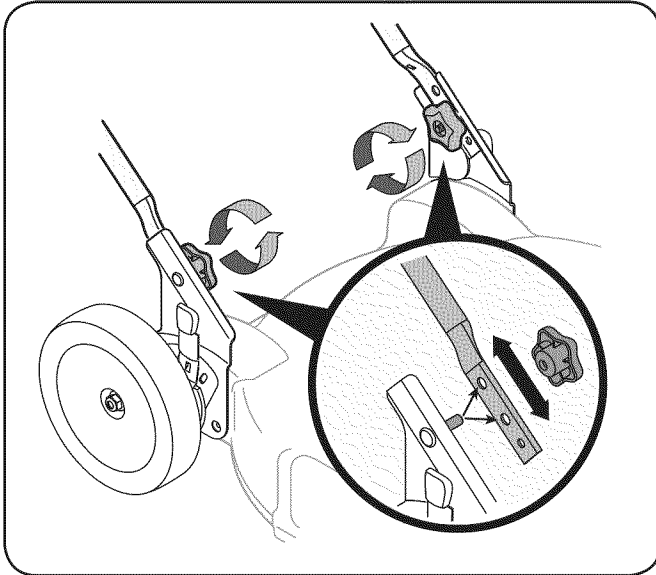


Figura 3-3

NOTA: Cada extremo de la manija superior debe ser colocado en la misma posición relativa.

- Quite las tuercas de mariposa que se muestran en la Fig. 3-3 y quite la manija inferior.
- Coloque el perno de la ménsula de la manija en el orificio superior de la manija inferior.
- Apriete las tuercas de mariposa.

- Colocación de la guía de cuerda como sigue en la Fig. 3-4:

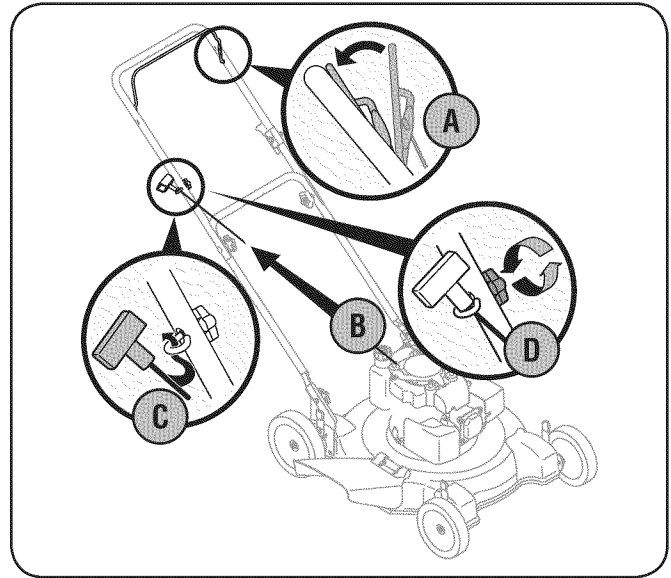


Figura 3-4

- Sostenga la manija de control de la cuchilla contra la manija superior.
 - Tire lentamente de la cuerda de arranque para sacarla del motor.
 - Deslice la cuerda de arranque en la guía.
 - Apriete la tuerca de mariposa de la guía de la cuerda.
- Asegure los cables a la manija inferior utilizando la unión del cable. Tire de las uniones del cable apretándolas y recortando el exceso. Vea la Fig. 3-5.

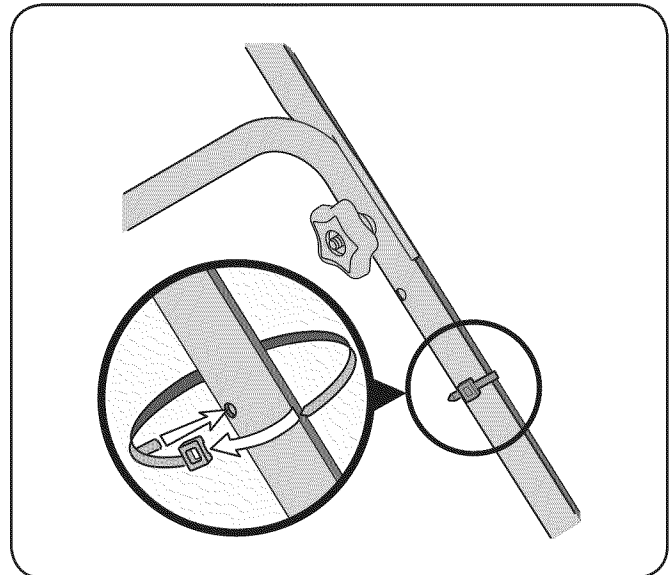


Figura 3-5

Tolva de Abono (De Ser equipado)

1. Si su podadora está equipada con un deflector opcional para abono, instálelo al lado derecho de la plataforma. Siga la secuencia que se indica.
 - a. Levante y sostenga el deflector del lado de la descarga e inserte el labio inferior de la tolva de abono dentro de la apertura del canal. Vea la Fig. 3-6.
 - b. Una los ganchos de la tolva de abono sobre el pasador del deflector de canal. Los ganchos deben ajustarse en su lugar en el pasador de bisagra, sujetando la tolva de abono firmemente en la podadora. Suelte el deflector de canal.

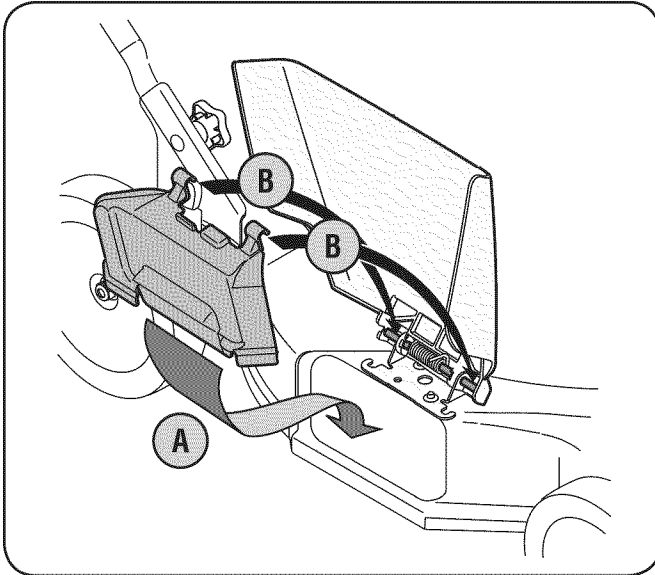


Figura 3-6

Ajustes

Una placa de ajuste y una palanca en cada rueda proporcionan el ajuste de la altura de corte.

1. Presione la palanca hacia la rueda.
2. Muévela a cualquier de las posiciones para la altura de corte deseado. Vea la Fig. 3-7.

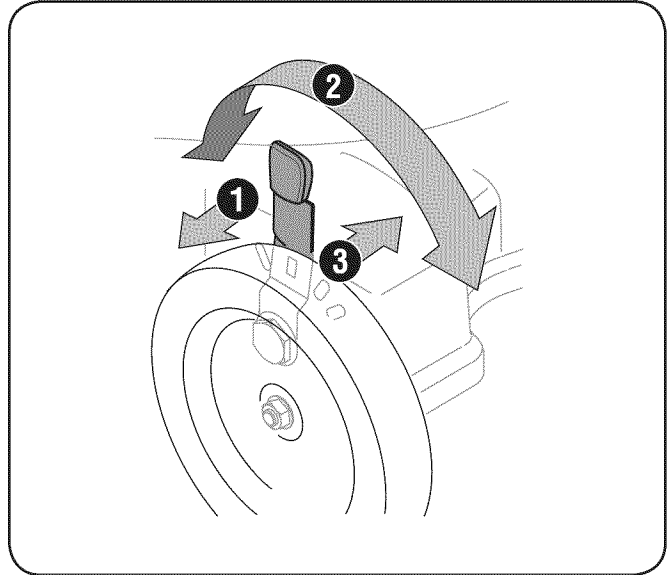


Figura 3-7

3. Libere la palanca hacia la cubierta de la podadora.
IMPORTANTE: Todas las ruedas deben ser colocadas en la misma posición relativa. Cuando el terreno es agreste o irregular cambie la palanca de ajuste de la altura a una posición más alta. De esta manera se cuida más el césped.

Configuración

Llenado de gasolina y aceite

Refiérase a la sección de motor en este manual para la información de motor.

1. Añadir el petróleo proporcionado antes de la unidad inicial por primera vez de la caja.
2. Atender el motor con la gasolina como instruido en la sección de motor de este manual.



ADVERTENCIA: Tenga extremo cuidado cuando manipule gasolina. La gasolina es altamente inflamable y sus vapores pueden causar explosiones. Nunca agregue combustible a la máquina en interiores o mientras el motor está caliente o en funcionamiento. Apague cigarrillos, cigarrillos, pipas y otras fuentes de combustión.

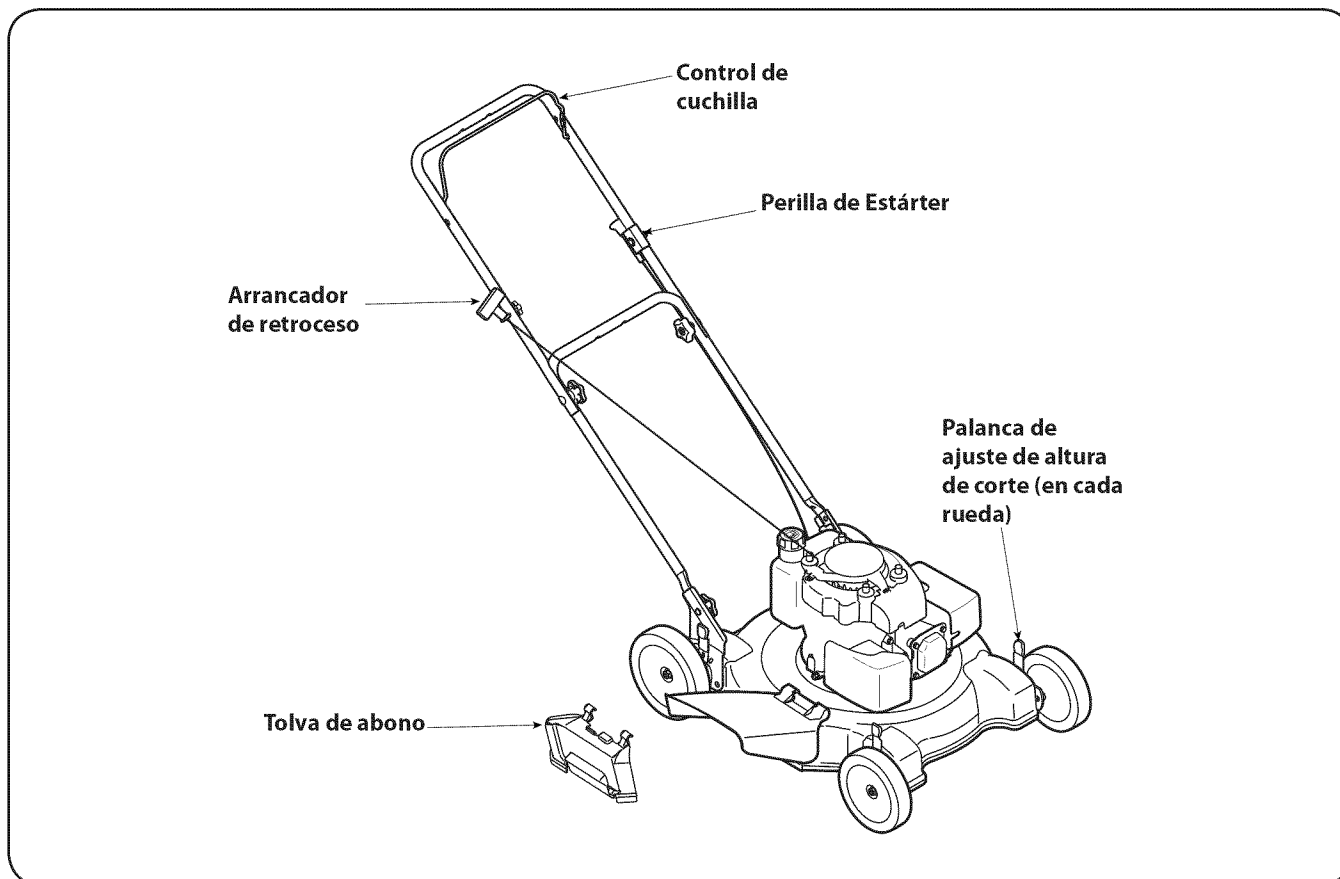


Figura 4-1

Control de Cuchilla

El control de la cuchilla está unido a la manija superior. Presione la manija de control de la cuchilla contra la manija superior para operar la unidad. Suelte la manija de control de la cuchilla para detener el motor y la cuchilla.



ADVERTENCIA: El mecanismo de control de la cuchilla es un dispositivo de seguridad. Nunca intente anular su funcionamiento.

Palanca de Ajuste de la Altura de Corte

Estas palancas están ubicadas una en cada rueda y se usan para corregir la altura de corte. Las cuatro palancas tienen que estar en la misma posición relativa para asegurar un corte uniforme.

Arrancador de Retroceso

El arrancador de retroceso está unido a la manija superior derecha. Para encender la unidad colóquese detrás de la misma y tire de la cuerda del arrancador de retroceso.

Perilla de Estárter

Tire la perilla de estárter para activar el estárter en el motor. El uso del estárter puede no ser necesario si el motor es caliente o la temperatura de aire es alta.

Tolva de Abono (De Ser equipado)

La tolva de abono permite usar los recortes del césped como abono, regresándolos a la podadora. Conecte la tolva para recortes siguiendo las instrucciones en la sección de Montaje y Configuración de este manual.

Encendido del Motor



ADVERTENCIA: Asegúrese que ninguna persona aparte del operador permanezca cerca de la podadora mientras arranca el motor u opera la misma. Nunca encienda un motor en espacios cerrados o en una zona con poca ventilación. El escape del motor contiene monóxido de carbono, un gas inodoro y letal. Mantenga las manos, los pies, el cabello y la ropa suelta alejados de las partes móviles del motor y de la podadora.

1. Saque la perilla de estérter localizada en el lado izquierdo del mango superior. Vea la Fig. 5-1.

NOTA: El uso del estérter puede no ser necesario si el motor es caliente o la temperatura de aire es alta.

2. Colóquese detrás de la podadora, apriete la manija de control de la cuchilla y sosténgala contra la manija superior. Ver la Fig. 5-1.
3. Sostenga firmemente las dos manijas juntas, tome la manija del arrancador de retroceso y tire de la cuerda para sacarla con un movimiento rápido y continuo. Vea la Fig. 5-1. Mantenga firme la manija del arrancador, deje que la cuerda regrese lentamente al arrancador. Repita hasta que el motor esté en marcha. Deje que la cuerda se enrosque lentamente de regreso.

IMPORTANTE: No permita que el juez de salida de retroceso se rompa atrás contra la guía de cuerda.

4. Cuando el motor calienta, empuje en la perilla de estérter.

Detención del Motor

1. Suelte la manija de control de la cuchilla para detener el motor y la cuchilla.



ADVERTENCIA: Espere a que la cuchilla se haya detenido por completo antes de hacer cualquier trabajo en la podadora o de retirar el colector de césped.

Uso de la Podadora de Césped

Asegúrese que el césped está libre de piedras, palos, cables u otros objetos que pudiesen dañar la cortadora o el motor. Dichos objetos pueden ser arrojados accidentalmente por la podadora en cualquier dirección y provocar lesiones personales graves al operador y a otras personas.



ADVERTENCIA: Al operar una podadora puede ser que objetos extraños sean arrojados a los ojos, lo cual puede dañarlos gravemente. Utilice siempre gafas de seguridad durante la operación de la podadora o mientras la ajusta o la repara.

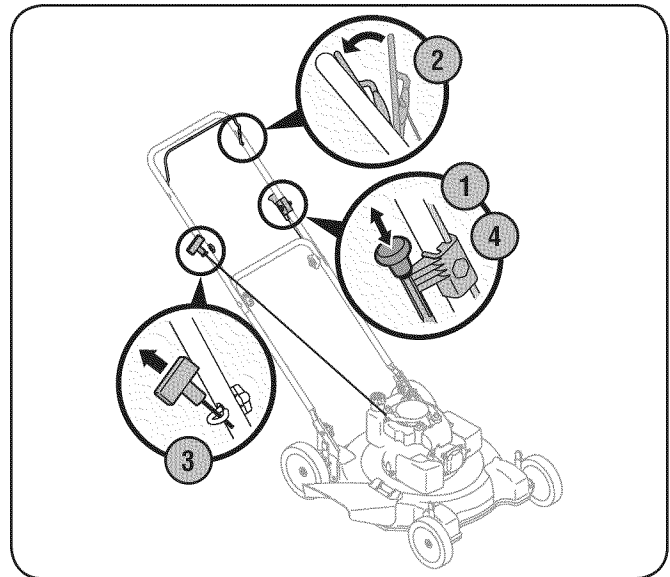


Figura 5-1

Uso como Abonadora (De Ser equipado)

Para abonar el césped, conecte la tolva para recortes siguiendo las instrucciones en la sección de Montaje y Configuración. La puerta de descarga posterior deberá estar cerrada. Para un abono eficiente, no corte césped húmedo. Si el césped ha crecido más de 10,2 cm. (4 pulg.) no se recomienda el uso de la podadora como abonadora. En ese caso, use el colector de césped (vendido por separado) para embolsar los recortes.



ADVERTENCIA: Si golpea un objeto extraño, detenga el motor. Retire el cable de la bujía, inspeccione la podadora para ver que no tenga daños, y repare el daño antes de reiniciar y operar la podadora. La vibración excesiva de la podadora durante la operación es una indicación de daño. Se debe inspeccionar y reparar la unidad lo antes posible.

Mantenimiento

Recomendaciones Generales

- Respete siempre las reglas de seguridad cuando realice tareas de mantenimiento.
- La garantía de esta podadora no cubre elementos que han estado sujetos al mal uso o la negligencia del operador. Para recibir el reembolso total de la garantía, el operador deberá dar mantenimiento a la podadora como se indica en este manual.
- El cambio de la velocidad controlada del motor invalidará la garantía del motor.
- Todos los ajustes deben ser verificados por lo menos una vez en cada estación.
- Revise periódicamente todos los sujetadores y compruebe que estén bien ajustados.



ADVERTENCIA: Detenga siempre el motor, desconecte la bujía y haga masa contra el motor antes de realizar cualquier tarea de mantenimiento a su máquina.

Lubricación

1. Lubrique con aceite ligero los puntos de pivote del control de la cuchilla al menos una vez cada estación. El control debe funcionar libremente en ambas direcciones, Fig. 6-1.
2. Lubrique las ruedas por lo menos una vez por temporada con aceite ligero o aceite para motor. Sin embargo, si las ruedas se quitan por cualquier razón, debe lubricar la superficie del brazo giratorio y la superficie interna de la rueda con aceite ligero, Fig. 6-1.

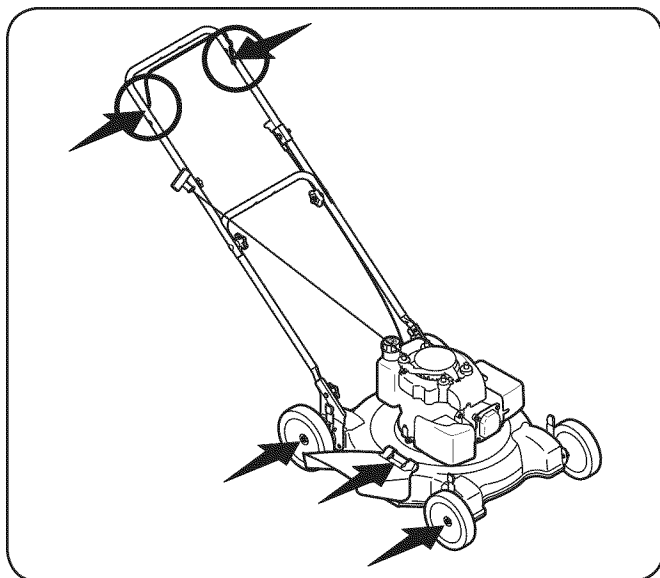


Figura 6-1

3. Lubrique el resorte de torsión y los puntos cruciales del deflector del canal con aceite ligero una vez por temporada para prevenir la oxidación. Ver la Fig. 6-1.
4. Siga la sección de Mantenimiento de Motor para lista de lubricación e instrucción para la lubricación de motor.

Cuidado de la cubierta

Debe limpiar la parte inferior de la plataforma de la podadora después de cada uso para prevenir la acumulación de recortes de césped u otros desechos. Siga los pasos que aparecen debajo para realizar esta tarea.

1. Desconecte el cable de la bujía. Drene la gasolina de la podadora o coloque un trozo de plástico debajo del tapón de llenado del combustible.
2. Incline la podadora de manera que quede apoyada sobre la caja. Mantenga hacia arriba el lado donde se encuentra el filtro de aire. Sostenga firmemente la podadora.



ADVERTENCIA: Nunca incline la podadora más de 90 grados en ninguna dirección y no deje la podadora inclinada. Se puede filtrar aceite dentro de la parte superior del motor y causar problemas de arranque.

3. Raspe y limpie la parte inferior de la plataforma mediante el uso de una herramienta adecuada. No la rocíe con agua.

IMPORTANTE: No recomendamos el uso de una limpiadora a presión o manguera de jardín para limpiar su unidad. Pueden producir daños al motor. El uso de agua acortará la vida útil de la máquina y reducirá su facilidad de servicio.

3. Vuelva a colocar la podadora sobre sus ruedas en el suelo. Si puso un plástico debajo del tapón de llenado de combustible asegúrese de sacarlo en este momento.

Cuidados para el motor

NOTA: Refiérase a las secciones de mantenimiento y operación de motor en este manual para instrucciones detalladas.

- Verifique el nivel de aceite.
- Limpie el filtro de aire cada 25 horas en condiciones normales de uso. Limpie a intervalos de pocas horas cuando haya mucho polvo.
- Limpie la bujía y restablezca la distancia disruptiva por lo menos una vez por temporada.
- Limpie el motor regularmente con un trapo o cepillo. Mantenga limpio el sistema de enfriamiento (área del soplador) para permitir la circulación apropiada de aire. Quite todo el césped, suciedad y residuos combustibles del área del silenciador.

Cuidado de la Cuchilla



ADVERTENCIA: Cuando saque la cuchilla de corte para afilarla o reemplazarla, protéjase las manos usando un par de guantes para trabajo rudo o un trapo grueso para sostener la cuchilla. Inspeccione periódicamente el adaptador de la cuchilla en busca de rajaduras, especialmente cuando golpee un objeto extraño. Realice los reemplazos que resulten necesarios. Siga los pasos que aparecen debajo para realizar el mantenimiento de la cuchilla.

1. Desconecte el cable de la bujía. Gire la podadora sobre el costado y compruebe que el filtro de aire y el carburador queden mirando hacia arriba.
2. Saque el perno y el soporte de campana de la cuchilla que sostienen la cuchilla y el adaptador de la misma al cigüeñal del motor, Fig. 7-1.

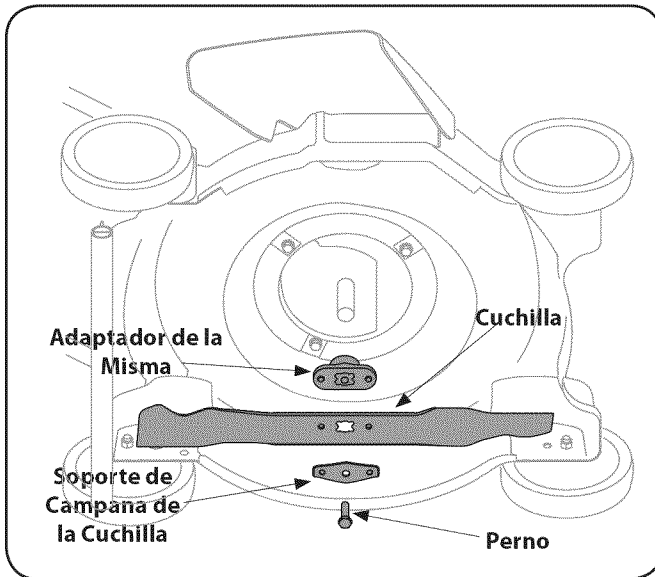


Figura 7-1

3. Saque la cuchilla y el adaptador del cigüeñal, Fig. 7-1.
4. Para comprobar el equilibrio, retire la cuchilla y balancee sobre un destornillador de eje redondo. Saque metal del lado pesado hasta que quede bien equilibrada. Cuando afile la cuchilla, siga el ángulo original de la muela como guía. Afile cada borde de corte por igual para mantener el balance de la cuchilla.



ADVERTENCIA: Si la cuchilla está desequilibrada generará vibraciones excesivas cuando rote a altas velocidades. Esto puede producir daños a la podadora, y se puede romper, causando así lesiones personales.

5. Lubrique el cigüeñal del motor y la superficie interna del adaptador de la cuchilla con aceite ligero. Deslice el adaptador de la cuchilla sobre el cigüeñal del motor. Instale la cuchilla con el lado marcado "Bottom" (inferior) o con el número de parte hacia el piso cuando la podadora está en posición de operación. Asegúrese que la cuchilla quede alineada y asentada en las bridas del adaptador.
6. Coloque el soporte de campana de la cuchilla en la misma. Compruebe que las muescas del soporte de campana de la cuchilla estén alineadas con los orificios pequeños de la cuchilla.
7. Vuelva a colocar el perno hexagonal y ajústelo según Los siguientes valores de torsión: 450 lb-pulg como mínimo, 600 lb-pulg como máximo.

Para asegurar la operación segura de la podadora revise periódicamente el perno de la cuchilla para determinar si está bien ajustado.

Almacenamiento Fuera de Temporada

Se deben seguir estos pasos para la preparación de la podadora para su almacenamiento.

- Limpie y lubrique la podadora como se describe en Las instrucciones de lubricación.
- No utilice una lavadora a presión o manguera de jardín para limpiar su unidad.
- Cubra la cuchilla con grasa para chasis para impedir la oxidación.
- Almacene la unidad en una zona limpia y seca. No la almacene cerca de materiales corrosivos como por ejemplo fertilizantes.

Cuando almacene cualquier tipo de equipo motorizado en un galpón de depósito metálico o con poca ventilación, tenga especial cuidado de realizarle un tratamiento antioxidante al equipo. Use aceite ligero o silicona para recubrir el equipo, especialmente los cables y partes móviles de su podadora antes de almacenarla.

Problema	Causa	Remedio
El motor no arranca	<ol style="list-style-type: none"> 1. El control de lámina se retiró. 2. Alambre de bujía desconectado. 3. Depósito de combustible combustible vacío o añejo. 4. ESTÁRTER no activado. (De ser equipado) 5. Bujía defectuosa. 6. Línea de combustible bloqueada. 7. El motor se desbordó. 8. La válvula de combustible se cerró. (De ser equipado) 9. El motor no está cebado. (De ser equipado) 10. Fusible quemado. (Principio Eléctrico Sólo) 	<ol style="list-style-type: none"> 1. Contratar el control de lámina. 2. Unir el alambre a la bujía. 3. Llenar el tanque de la gasolina limpia, fresca. 4. Ahogue el motor (ver la sección de Funcionamiento). 5. Limpio, ajuste el hueco, o sustituir. 6. Línea de combustible limpia. 7. Esperar unos minutos para reactivarse. 8. Válvula de combustible abierta. Ver el manual de motor. 9. Ceba el motor tal como se explica en la sección de Funcionamiento. 10. Sustituya el fusible (ver la sección de Servicio).
El motor funciona de manera errática	<ol style="list-style-type: none"> 1. El cable de la bujía está flojo. 2. La línea del combustible está tapada o el combustible es viejo. 3. La ventilación en la tapa del combustible está obstruida. 4. Agua o suciedad en el sistema del combustible. 5. El filtro de aire está sucio. 6. La unidad que corre con el ESTÁRTER (De ser equipado) se aplicó. 	<ol style="list-style-type: none"> 1. Conecte y ajuste el cable de la bujía. 2. Limpie la línea del combustible; llene el tanque con gasolina limpia y fresca 3. Destape la ventilación. 4. Vacíe el tanque del combustible. Vuelva a llenarlo con combustible limpio. 5. Refiérase a la sección de mantenimiento de motor. 6. Perilla de ESTÁRTER de empuje en.
El motor recalienta	<ol style="list-style-type: none"> 1. El nivel de aceite del motor es bajo. 2. Flujo de aire restringido. 	<ol style="list-style-type: none"> 1. Llene el cárter con aceite adecuado. 2. Retire el alojamiento del soplador y límpielo.
Saltos ocasionales (pausas) a alta velocidad	<ol style="list-style-type: none"> 1. La distancia disruptiva de la bujía es muy pequeña. 	<ol style="list-style-type: none"> 1. Ajuste la distancia disruptiva a 0,76 mm (0,03 pulg).
Funciona mal en marcha lenta	<ol style="list-style-type: none"> 1. Bujía atorada, averiada o exceso de distancia disruptiva. 2. El filtro de aire está sucio. 	<ol style="list-style-type: none"> 1. Reajuste la distancia disruptiva a 0,76mm (0,03) o reemplace la bujía. 2. Refiérase a la sección de mantenimiento de motor.

Seguido después paginan

Problema	Causa	Remedio
Demasiada vibración	<ol style="list-style-type: none"> 1. Cuchilla floja o desequilibrada. 2. Cuchilla abollada. 	<ol style="list-style-type: none"> 1. Apriete la cuchilla y el adaptador. Equilibre la cuchilla. 2. Consulte a un distribuidor autorizado.
La podadora no abona el césped	<ol style="list-style-type: none"> 1. Césped húmedo. 2. Césped excesivamente alto. 3. La cuchilla de la cortadora no está afilada. 	<ol style="list-style-type: none"> 1. No corte el césped cuando está mojado, espere hasta que sea más tarde para hacerlo. 2. Pude una vez a una altura de corte elevada y luego vuelva a realizar el corte a la altura deseada, o siga una ruta de corte más estrecha. 3. Afile o cambie la cuchilla.
Corte desigual	<ol style="list-style-type: none"> 1. La posición de las ruedas no es correcta. 2. La cuchilla de la cortadora no está afilada. 	<ol style="list-style-type: none"> 1. Coloque las cuatro ruedas en la misma posición de altura (de ser equipado con ajustadores de altura individuales). 2. Afile o cambie la cuchilla.

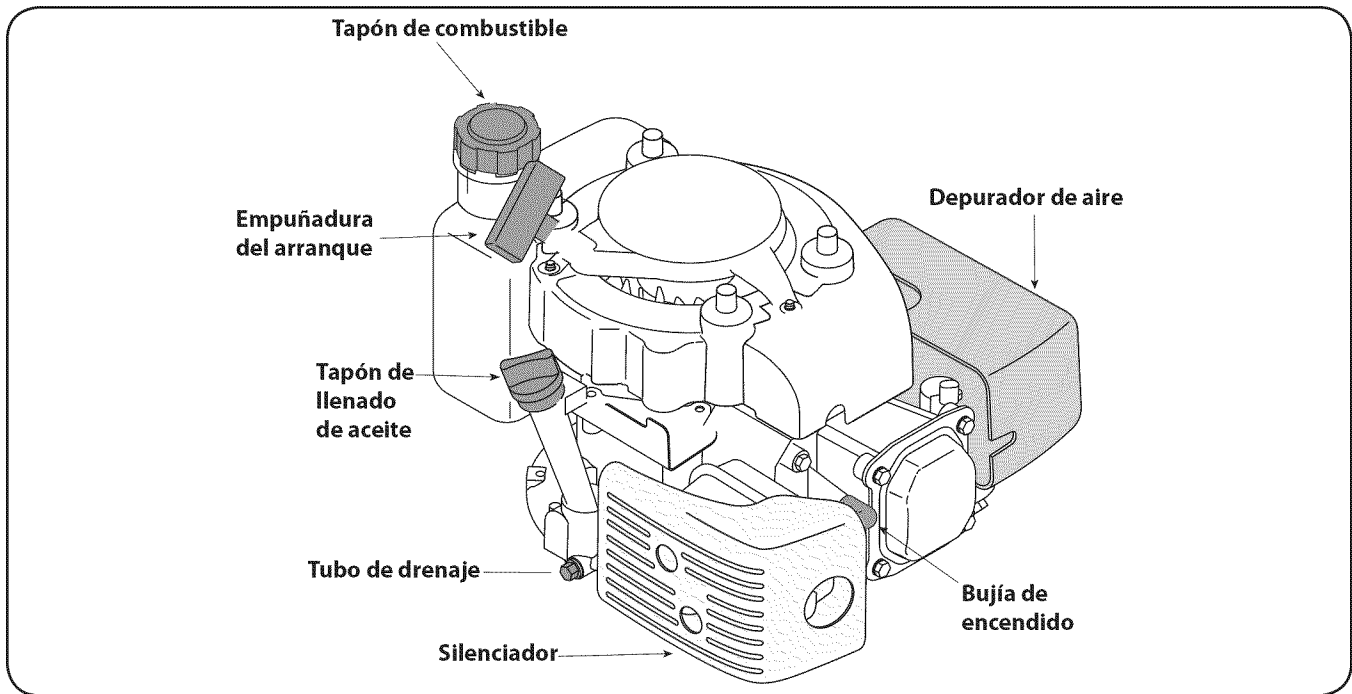


Figura 10-1

Control Previo al Funcionamiento

Recomendaciones Sobre el Aceite

IMPORTANTE: Este motor se despacha sin gasolina ni aceite en el motor. Hacer funcionar el motor sin suficiente aceite puede causarle graves daños y anula la garantía del motor.

- Antes de arrancar el motor, llene con aceite. No llene en exceso. La capacidad de aceite es de alrededor de 20 onzas.

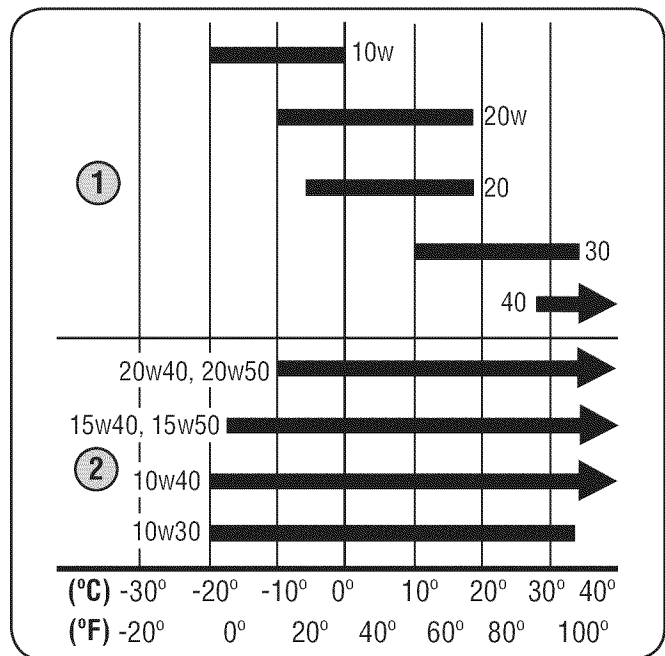
Use un aceite para motor de cuatro tiempos, o un aceite detergente de calidad premium equivalente con certificado que cubra o exceda las exigencias de los fabricantes de automóviles americanos respecto de la clasificación de servicio SG/SF. Los aceites para motor con la clasificación SG/SF tienen esta designación en el envase.

Se recomienda SAE 10W-30 para uso general, a todas las temperaturas. Si utiliza aceite con viscosidad monogrado, seleccione en la tabla de la derecha la viscosidad adecuada para la temperatura media de su zona.

Verifique el nivel de aceite

IMPORTANTE: Asegúrese de comprobar el motor sobre una superficie nivelada y con el motor apagado.

1. Retire el tapón de llenado de aceite y limpie la varilla de medición de aceite. Vea la Fig. 10-2.



Temperatura ambiente

1. Viscosidad monogrado
2. Viscosidad multigrado

IMPORTANTE: El uso de aceite sin detergente o para motor de dos tiempos puede reducir la vida útil del motor.

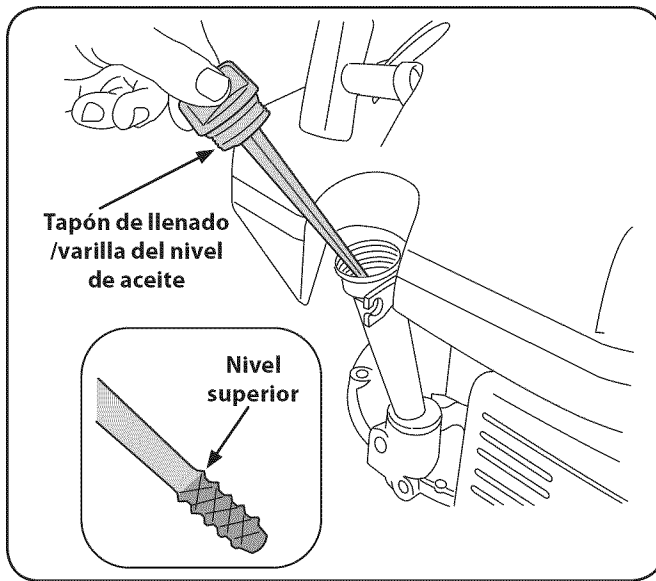


Figura 10-2

2. Inserte la varilla de medición en el cuello de llenado de aceite, pero no lo atornille.
3. Si el nivel está bajo, agregue aceite lentamente hasta el límite superior de la varilla de medición. Vea el recuadro de la Fig. 10-2.
4. Ajuste firmemente la varilla de medición antes de arrancar el motor.

IMPORTANTE: No lo llene en exceso. El exceso de aceite puede causar ahumado, problemas de arranque, suciedad en la bujía y saturación de aceite en el purificador de aire.

Recomendaciones Sobre el Combustible

Use la gasolina automotor (leaded sin plomo o bajo para minimizar depósitos de cámara de combustión) con mínimo de 87 octano. La gasolina con el etanol de hasta el 10 % o MTBE del 15 % (Metilo Éter Butyl Terciario) puede ser usada. Nunca use una mezcla de petróleo/gasolina, la gasolina sucia, o gasolina más de 30 días viejos. Evite conseguir la suciedad, el polvo, o el agua en el depósito de combustible. **NO USE LA GASOLINA E85.**



ADVERTENCIA: La gasolina es sumamente inflamable y bajo determinadas condiciones es explosiva. Cargue combustible en un área bien ventilada y con el motor apagado. No fume ni permita llamas o chispas en el lugar donde se carga combustible o se encuentra el depósito de combustible del motor.



ADVERTENCIA: No llene en exceso el tanque de combustible (no debe haber combustible en el cuello de llenado). Después de cargar combustible, asegúrese de que el tapón del tanque está bien cerrado y asegurado. Tenga cuidado de no derramar combustible al cargarlo. El combustible derramado o sus vapores se pueden incendiar. Si se derrama combustible, asegúrese de que el área está seca antes de arrancar el motor. Evite el contacto prolongado con la piel o inhalar los vapores.

Verifique el Nivel de Combustible

1. Antes de sacar la tapa para cargar combustible, limpie alrededor.
2. Llene el tanque hasta aproximadamente 1 pulgada debajo de la parte más baja del cuello para permitir la expansión del combustible. Tenga cuidado de no llenar en exceso.

IMPORTANTE: Antes de cargar, deje que el motor se enfríe 2 minutos.

Encendido del Motor



ADVERTENCIA: Siempre mantenga las manos y los pies alejados de las piezas móviles del equipo. No utilice fluidos comprimidos para arrancar. Los vapores son inflamables.

1. Tire de la perilla del cebador ubicada a la izquierda de la barra de control superior. Vea la Fig. 10-3.

NOTA: Puede no ser necesario usar el cebador si el motor está caliente o la temperatura del aire es elevada.

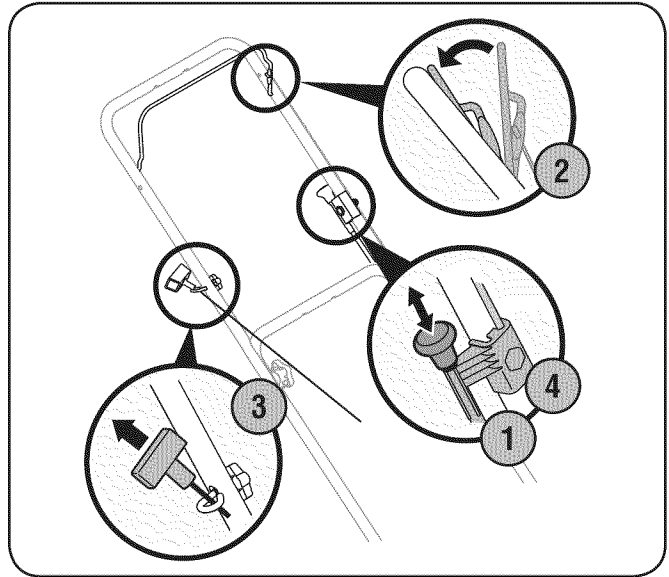


Figure 10-3

2. Parado detrás de la cortadora de césped, presione el control de la cuchilla y sosténgalo contra la barra de control superior.
3. Tire suavemente de la empuñadura del arranque hasta sentir la resistencia, luego tire rápidamente para reducir la compresión, impedir la tensión de retroceso y arrancar el motor. Repita de ser necesario. Vea la Fig. 10-3.

IMPORTANTE: No permita que la empuñadura del arranque retroceda rápidamente contra la guía de la cuerda. Vuélvalo suavemente para que no se dañe el arrancador.

4. Cuando el motor se haya calentado, empuje hacia adentro la perilla del cebador. Vea la Fig. 10-3.

Detención del motor

1. Suelte el control de la cuchilla.



ADVERTENCIA: Apague el motor antes de realizar el mantenimiento. Para evitar una puesta en marcha accidental, desconecte la funda de la bujía.

IMPORTANTE: Si el motor debe inclinarse para transportar equipo o para inspeccionar o extraer pasto, mantenga el lado de la bujía del motor hacia arriba. Si la bujía del motor se transporta o se inclina hacia abajo puede causar humo, un arranque difícil, contaminación de la bujía o saturación con aceite del depurador de aire.

La inspección y los ajustes periódicos del motor son esenciales si se desea mantener un alto nivel de desempeño. El mantenimiento regular también garantizará una prolongada vida útil del motor. Los intervalos de mantenimiento requeridos y el tipo de mantenimiento a ser realizado se describen en la tabla de más abajo. Siga los intervalos por hora o calendarios, lo que ocurra primero. Cuando se opera en condiciones adversas es necesario llevar a cabo un mantenimiento más frecuente.



ADVERTENCIA: Si el motor ha estado funcionando, el silenciador estará muy caliente. Tenga cuidado de no tocar el silenciador.

Calendario de Mantenimiento

	Primeras 5 horas	Cada uso o cada 5 horas	Cada temporada o cada 25 horas	Cada temporada o cada 50 horas	Cada temporada o cada 100 horas	Fechas de Mantenimiento
Inspeccione el aceite del motor		✓				
Cambie el aceite del motor ††	✓			✓		
Inspeccione el depurador de aire		✓				
Mantenimiento del depurador de aire †					✓	
Inspecciones las bujías de encendido			✓			
Mantenimiento de bujía					✓	
Limpie la protección de retención		✓				
Limpie alrededor del silenciador		✓				
Sustituya Filtro de Combustible					✓	

† Cuando se utiliza en áreas polvorientas, el mantenimiento debe ser más regular.

†† Si se opera bajo carga pesada o en temperatura ambiente alta.

Mantenimiento del aceite

- Inspeccione el nivel de aceite regularmente.
- Asegúrese de que se mantenga el nivel de aceite correcto. Inspeccione cada cinco horas o diariamente antes de poner en marcha el motor.

Cambio de aceite

IMPORTANTE: Asegúrese de inspeccionar el motor sobre una superficie nivelada y con el motor apagado. Drene el aceite mientras el motor esté caliente para asegurar un drenaje rápido y completo.

1. Extraiga todo el combustible del depósito haciendo funcionar el motor hasta que se detenga por falta de combustible.
2. Retire el tapón de llenado de aceite y permitiendo que el aceite se drene en un recipiente adecuado. Vea la Fig. 10-1.

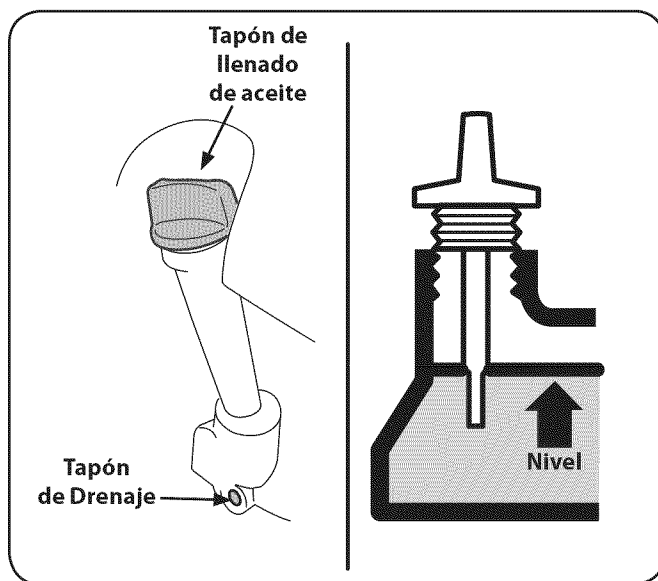


Figura 10-1



ADVERTENCIA: Antes de inclinar el motor o equipo para drenar el aceite, drene el combustible del depósito haciendo funcionar el motor hasta que el depósito de combustible esté vacío.

3. Vuelva a colocar el tapón de drenaje y apriételo firmemente.
4. Vuelva a llenar con el aceite recomendado (vea sección Funcionamiento) y controle el nivel de aceite. Vea la Fig. 10-1.
5. Vuelva a colocar el tapón de llenado de aceite y asegúrelo firmemente.

IMPORTANTE: El aceite del motor usado puede causar cáncer de piel si entra en contacto con la piel de manera reiterada y por períodos prolongados. Si bien esto es improbable a menos que manipule aceite usado todos los días, sin embargo es recomendable lavarse bien las manos con jabón y agua inmediatamente después de haber manipulado aceite usado.

NOTA: Elimine el aceite del motor usado de la manera que sea compatible con el medio ambiente. Sugerimos que lo coloque en un recipiente sellado y lo lleve a la estación de servicio local para su recuperación. No lo tire a la basura o lo vierta sobre el suelo.

Mantenimiento del Depurador de Aire

Los filtros de papel no pueden ser limpiados y deben ser sustituidos una vez al año o cada 100 horas de operaciones; más a menudo de ser usado en condiciones muy polvorosas.



ADVERTENCIA: Nunca use gasolina o solventes de punto de encendido bajo para limpiar el elemento del depurador de aire. Podría producirse un incendio o explosión.

IMPORTANTE: Nunca opere el motor sin el depurador de aire instalado. Resultará en desgaste rápido del motor.

1. Retire el perno de mariposa y la cubierta del depurador de aire. Retire los elementos y sepárelos. Vea la figura 10-2. Sustituya el elemento de papel cuando sucio o dañado. Sustituya el elemento de espuma cuando dañado.

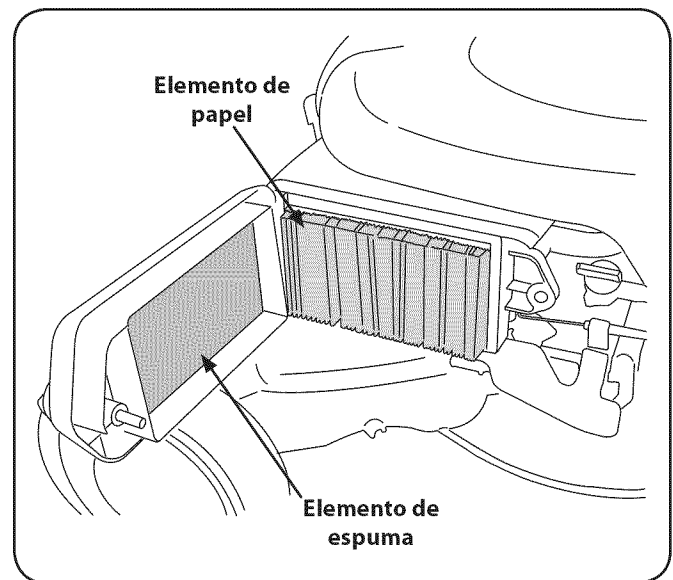


Figura 10-2

2. Para limpiar el elemento de espuma, sepárelo del elemento de papel y lávese en detergente líquido y agua. Permita secar a fondo antes de la utilización. No haga el petróleo el elemento de espuma.

Mantenimiento de Bujía



ADVERTENCIA: NO pruebe la chispa si no está la bujía de encendido. NO de arranque al motor si no está la bujía de encendido.

Para asegurarse de que el motor funcione bien, la bujía debe tener una separación correcta y debe estar libre de depósitos.

1. Retire la funda de bujía y utilice una llave para bujías para extraer la bujía. Vea la Fig. 10-3.

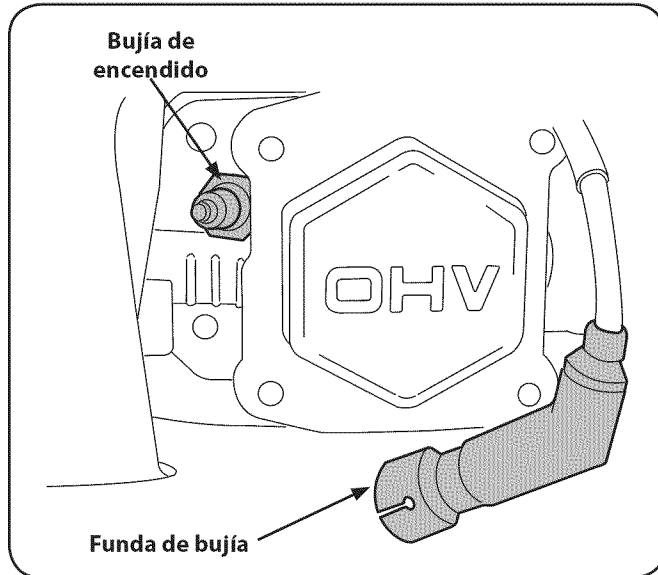


Figura 10-3



ADVERTENCIA: Si el motor ha estado funcionando, el silenciador estará muy caliente. Tenga cuidado de no tocar el silenciador.

2. Inspeccione visualmente la bujía. Elimine la bujía si presenta mucho desgaste, o si el aislante está agrietado o astillado. Limpie la bujía con un cepillo de alambre si se va a reutilizar.

3. Mida la separación de bujía con un calibrador. Corrija de ser necesario torciendo el electrodo lateral. Vea la fig. 10-4. La separación debe establecerse en 0,030 pulg.

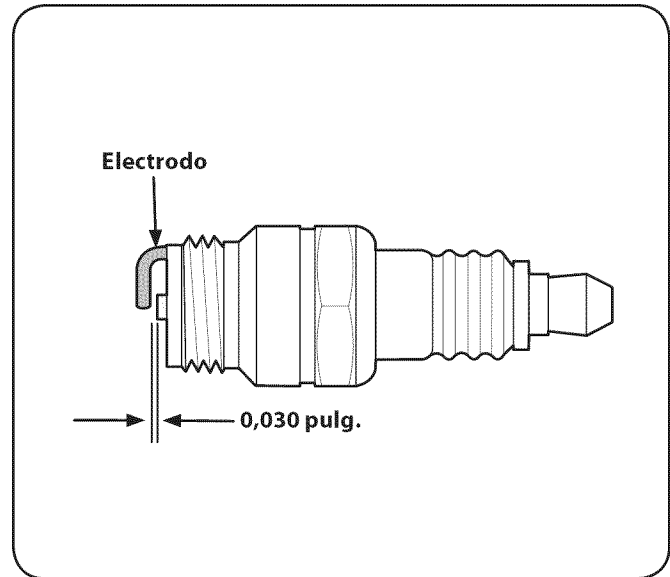


Figura 10-4

4. Verifique que la arandela de la bujía esté en buenas condiciones y enrosque la bujía hacia adentro manualmente para evitar enrosque cruzado.
5. Una vez que la bujía está colocada en su lugar, apriete con una llave para comprimir la arandela.

NOTA: Cuando instale una bujía nueva, apriete 1/2 de vuelta una vez que la bujía se encuentra colocada en su lugar para comprimir la arandela. Cuando vuelva a colocar una bujía usada, apriete 1/8 - 1/4 de vuelta una vez que la bujía se encuentra colocada en su lugar para comprimir la arandela.

IMPORTANTE: La bujía debe estar firmemente asegurada. Una bujía que no se encuentre bien asegurada puede calentarse mucho y dañar el motor.

Servicio con Filtro de Combustible

El filtro de combustible no puede ser limpiado y debe ser sustituido una vez al año o cada 100 horas de operaciones; más a menudo de ser dirigido con vieja gasolina.

1. Quite todo el combustible del tanque dirigiendo el motor hasta que esto se pare a falta del combustible.
2. Quite la c-abrazadera de la línea de combustible y quite la línea de combustible de la salida de tanque. Ver la Fig. 10-5.

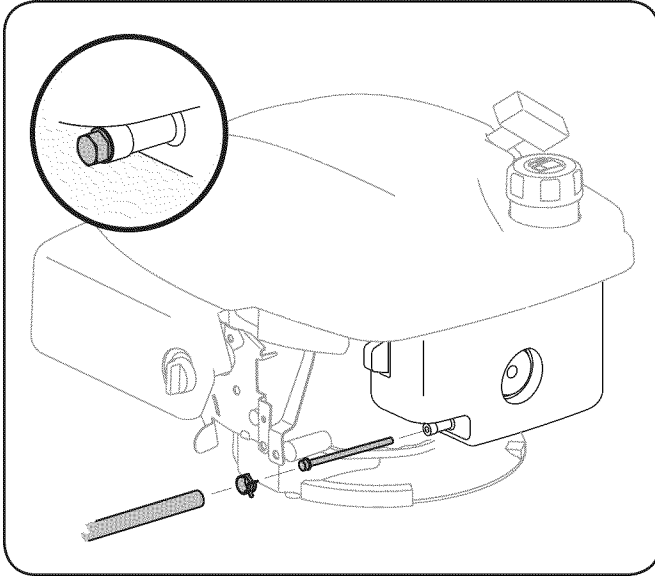


Figura 10-5

3. Saque el viejo filtro de combustible de la salida de tanque. Sustituya cuando sucio o dañado.
4. Agarre el nuevo filtro de combustible a partir del final llevado a hombros e insértelo completamente al hombro en la salida de tanque. Ver la inserción de la Fig. 10-5.
5. Sustituya la línea de combustible y la c-abrazadera.

Limpie el Motor

Si el motor ha estado funcionando, déjelo enfriar durante por lo menos media hora antes de limpiarlo. De manera regular, extraiga el pasto y la acumulación de suciedad del motor. Limpie la protección de retención y alrededor del silenciador. Limpie con un cepillo o aire comprimido.

IMPORTANTE: No rocíe el motor con agua para limpiarlo porque el agua podría contaminar el combustible. Con una manguera de jardín o equipo de lavado a presión también puede forzar agua dentro del depurador de aire o la abertura del silenciador. El agua en el depurador de aire embeberá el elemento de papel, y el agua que pasa a través del elemento o silenciador puede ingresar en el cilindro, causando daño.



ADVERTENCIA: La acumulación de residuos alrededor del silenciador podrían producir un incendio. Inspeccione y limpie antes de cada uso.

Almacenamiento

Los motores almacenados entre 30 y 90 días tienen que ser tratados con un estabilizador de gasolina y los motores almacenaron más de 90 días necesitan ser drenados de combustible para evitar que se deterioren y se forme goma en el sistema combustible o en las piezas principales del carburador. Si la gasolina en su motor se deteriora durante el almacenamiento, debe reparar o reemplazar el carburador y otros componentes del sistema combustible.

1. Extraiga todo el combustible del depósito haciendo funcionar el motor hasta que se detenga por falta de combustible.



ADVERTENCIA: Nunca deje el motor desatendido dirigiendo.

2. Cambie el aceite del motor. Consulte la sección Cambio de Aceite.
3. Extriaga la bujía y vierte alrededor de 1/2 onza de aceite de motor dentro del cilindro. Vuelva a colocar la bujía y arranque lentamente el motor para distribuir el aceite.
4. Limpie el pasto y residuos en torno del motor, debajo de la protección de retención y debajo, alrededor y detrás del silenciador. Retoque la pintura dañada, y revista otras áreas que puedan oxidarse con una película delgada de aceite.
5. Almacene en un sector limpio, seco y bien ventilado, lejos de cualquier artefacto que funcione con una llama o luz piloto como horno, calentador de agua o secador de ropa. También evite cualquier sector con una chispa produciendo motor eléctrico o donde se utilizan herramientas eléctricas.
6. De ser posible, también evita áreas de almacenamiento con mucha humedad para evitar oxidación y corrosión.
7. Mantenga el motor nivelado cuando lo almacene. La inclinación del motor puede resultar en fugas de combustible o aceite.

Retirar de su Almacenamiento

1. Inspeccione su motor como se describe en la sección Control Previo al Funcionamiento de este manual.
2. Si el combustible fue drenado durante la preparación para el almacenamiento, llene el depósito con gasolina nueva. Si tiene un recipiente de gasolina para llenar, asegúrese de que contenga solo combustible sin usar. La gasolina se oxida y deteriora con el tiempo, causando un arranque difícil.
3. Si el cilindro fue revestido con aceite durante la preparación para el almacenamiento, el motor humeará brevemente durante el arranque. Esto es normal.



Las disposiciones de EZ Start Promise de su garantía limitada

Además de los otros términos y las condiciones de la garantía limitada que rigen para su nueva cortadora, MTD LLC ("MTD") por la presente garantiza que el motor de la cortadora arrancará cuando un adulto capacitado lo intente en la primera o segunda oportunidad (sujeto a las limitaciones que se describen a continuación) por el período de duración indicado en la garantía limitada del fabricante que rige para su producto. Si el motor de su cortadora no cumple con lo dispuesto esta garantía limitada, MTD cubrirá los costos de las piezas y la mano de obra relacionada con los ajustes y/o las reparaciones necesarias para devolver al motor su condición de garantía. A fin de realizar un reclamo según estas disposiciones de su garantía, usted debe acudir a un proveedor para reparaciones autorizado con el producto y la prueba de compra. En muchos casos, el minorista que le vendió el motor no se encuentra equipado para proporcionar el servicio de la garantía. Por lo tanto, deberá ubicar al distribuidor autorizado más cercano llamando al número telefónico que se encuentra en el Manual del Operador o ingresando a la página www.mtdproducts.com.

Elementos y condiciones sin cobertura

EZ Start Promise no cubre ni se aplica en los siguientes casos:

- Costos del servicio de mantenimiento o piezas de rutina, como por ejemplo filtros, combustible, lubricantes, cambios de aceite, bujías de encendido, filtro de aire, afiladores de cuchilla, bordes desgastados, ajustes de cables/varillas, ajustes de freno y embrague.
- Costos de transporte desde y hacia un proveedor de reparaciones autorizado de MTD.
- Los motores que se usen en aplicaciones comerciales, de arrendamiento, institucionales, gubernamentales o no residenciales.
- Productos o piezas que hayan sido alteradas o usadas de forma inadecuada o que requieran reemplazo o reparación debido al uso inadecuado, accidentes o falta de mantenimiento correcto.
- Las reparaciones necesarias debido al descuido de la batería, irregularidades en el suministro eléctrico o falta de preparación de forma adecuada de la cortadora anterior a cualquier período sin uso superior a los tres meses.
- Cargos de recogida y/o entrega.
- Uso operacional inadecuado, abandono, accidentes, reparaciones no autorizadas o intentos de reparaciones del motor o de sus componentes por otras personas no autorizadas, fuera del proveedor de reparaciones de MTD.
- Reparaciones o ajustes para corregir dificultades del arranque debido a alguno de los siguientes motivos: falta de seguimiento de los procedimientos de mantenimiento adecuados — golpe de

las cuchillas de cortadoras rotativas contra un objeto extraño — contaminantes en el sistema del combustible — combustible o mezcla de combustible/aceite inadecuada (en caso de dudas, consulte su Manual del Operador) — falta de drenaje del sistema de combustible anterior a cualquier período sin uso superior a tres meses.

- Cualquier problema de arranque originado en el uso de combustibles, lubricantes o aditivos inadecuados.
- Condiciones o circunstancias especiales que normalmente requieren más de dos intentos para arrancar, específicamente: 1) Primer arranque luego de la compra inicial, 2) primera vez que arranca luego de uno o varios períodos sin uso superiores a un mes o al almacenamiento de temporada, 3) arranque bajo temperaturas frías, como por ejemplo las que se presentan a comienzo de la primavera y a fin del otoño, y 4) arranque dificultoso debido a la no observancia por parte del operador de los procedimientos de arranque adecuados identificados en el Manual del Operador. Si usted tiene problemas en arrancar su unidad, verifique el Manual del Operador a fin de asegurarse de que está cumpliendo los procedimientos correctos de arranque. Esto puede ahorrarle una visita innecesaria al distribuidor autorizado.

Responsabilidades del propietario

El mantenimiento de su cortadora (incluido el motor) debe hacerse cumpliendo los procedimientos de mantenimiento e instrucciones de arranque indicadas en el Manual del Operador. Tal mantenimiento de rutina, ya sea realizado por un distribuidor o por usted mismo, es a su cargo. Por otro lado, conserve la prueba de compra y los recibos de mantenimiento ya que se los pueden solicitar para validar un reclamo.

Condiciones generales

Un proveedor de reparaciones autorizado de MTD que emplea repuestos aprobados debe realizar todas las reparaciones cubiertas por esta EZ Start Promise. La reparación realizada por un distribuidor autorizado para el mantenimiento de MTD es su único recurso según esta garantía. MTD no es responsable por ningún daño indirecto, incidental o resultante relacionado con el uso de los productos cubiertos por esas garantías, incluido cualquier costo o gasto de suministro de equipo sustituto o mantenimiento durante períodos razonables de desperfectos o no uso pendientes de la finalización de las reparaciones según esta garantía.

Algunos estados no permiten la exclusión de los daños incidentales o resultantes, ni las limitaciones sobre la duración de las garantías implícitas, por lo que ciertas exclusiones o limitaciones pueden no serle de aplicación.

**Declaración de Garantía del Sistema de Control de Emisiones
(Derechos y obligaciones del propietario según la garantía contra defectos)**

LA COBERTURA DE SISTEMA DE CONTROL DE EMISIÓN ES APLICABLE A MOTORES CERTIFICADOS COMPRADOS EN CALIFORNIA EN 2005 Y A PARTIR DE ENTONCES, QUE SON USADOS EN CALIFORNIA, Y HASTA AÑO 2005 DE MODELO CERTIFICADO Y MOTORES POSTERIORES QUE SON COMPRADOS Y USADOS EN OTRA PARTE EN LOS ESTADOS UNIDOS.

California y en otra parte en la Cobertura de Garantía de Defectos de Control de Emisión de los Estados Unidos

El Bordo de Recursos de Aire de California (CARB), la U. S. EPA y MTD se complacen en explicar la garantía del sistema de control de emisiones de su motor para equipo todo terreno, modelo, año 2005 y versiones posteriores. En California, los nuevos motores pequeños para equipo todo terreno se deben diseñar, fabricar y equipar para cumplir con estándares de antiniebla tóxica de estados. En otra parte en los Estados Unidos, el nuevo no camino, motores de ignición de chispa certificados para el modelo 2005 y más tarde, debe encontrar el juego de estándares similar adelante por los Estados Unidos. EPA. MTD debe garantizar el sistema de control de emisiones de su motor por el período de tiempo indicado más abajo, siempre y cuando no haya existido uso incorrecto, negligencia ni mantenimiento inadecuado de su motor pequeño para equipo todo terreno.

El sistema de control de emisiones puede incluir piezas como, por ejemplo, el carburador, sistema de inyección de combustible, el sistema de encendido, el catalizador, los depósitos de combustible, abastece de combustible líneas, gorras de combustible, válvulas, latas, filtros, mangueras de vapor, abrazaderas, conectores y otros componentes relacionados con las emisiones.

Donde exista una condición cubierta por la garantía, MTD reparará su motor pequeño para equipo todo terreno sin costo alguno incluyendo el diagnóstico, las piezas y la mano de obra.

COBERTURA DE LA GARANTÍA DEL FABRICANTE:

Este sistema de control de emisiones se garantiza por el término de dos años. Si alguna pieza de su motor relacionada con las emisiones es defectuosa, MTD reparará o sustituirá dicha pieza.

RESPONSABILIDADES DEL PROPIETARIO SEGÚN LA GARANTÍA:

Como propietario de un motor pequeño de equipo todo terreno, usted es responsable de realizar el mantenimiento necesario que figura en el manual del propietario. MTD le recomienda que conserve todos los recibos que cubren los servicios de mantenimiento del motor pequeño para equipo todo terreno, no obstante lo cual MTD no podrá denegar el cumplimiento de la garantía únicamente por la falta de recibos o por su imposibilidad de asegurar que se realizarán todos los servicios de mantenimiento programado.

Como propietario del motor pequeño para equipo todo terreno, sin embargo, usted también debe saber que MTD puede denegar la cobertura de la garantía si su motor pequeño para equipo todo terreno o una pieza del mismo fallan debido a uso incorrecto, negligencia, mantenimiento indebido o a modificaciones no aprobadas.

Usted es responsable de presentar la cortadora de césped al centro de distribución o de mantenimiento de MTD CONSUMER GROUP, INC. tan pronto como apareciera el problema. Las reparaciones cubiertas por la garantía se deben llevar a cabo en un lapso razonable que no exceda de 30 días. Si desea realizar alguna consulta con respecto a la cobertura de la garantía, debe ponerse en contacto con su distribuidor local de MTD. Para comunicarse con la Línea de Asistencia al Cliente de Distribuidores de MTD, llame al número (877) 282-8684.

REQUERIMIENTOS DE GARANTÍA SOBRE DEFECTOS PARA MOTORES PEQUEÑOS DE EQUIPO TODO TERRENO DE 1995 Y VERSIONES POSTERIORES:

Esta sección se aplica a motores pequeños de equipo todo terreno de 1995 y versiones posteriores. El período de garantía comienza a partir de la fecha en que el motor o el equipo se entregan al comprador final.

(a) Cobertura de la garantía contra emisiones generales

MTD garantiza al comprador final y a cada comprador subsiguiente que el motor:

- (1) ha sido diseñado, construido y equipado de manera que cumpla con todas las regulaciones vigentes adoptadas por el Departamento de los Recursos de Aire en virtud a su autoridad conferida en los capítulos 1 y 2, Parte 5, División 26 del Código de Salud y Seguridad; y
- (2) está libre de defectos en los materiales y en la mano de obra que causen la falla de una pieza bajo garantía que sea idéntica en todos los aspectos materiales a la pieza como aparece descrita en la aplicación del fabricante del motor para certificación por un período de dos años.

(b) La garantía sobre piezas relacionadas con emisiones se interpretará de la siguiente manera:

(1) Cualquier pieza cubierta por garantía que no esté programada para su reemplazo según el mantenimiento requerido en las instrucciones escritas de la Subsección (c) debe estar garantizada por un período de garantía definido en la Subsección (a) (2). Si la pieza falla durante el período de cobertura de la garantía, la misma será reparada o reemplazada por MTD de acuerdo con la Subsección (4) a continuación. Cualquier pieza reparada o reemplazada según la garantía se garantizará por el resto del período de garantía.

(2) Cualquier pieza cubierta por garantía que esté programada solo para inspección regular en las instrucciones escritas de la Subsección (c) debe estar garantizada por un período de garantía definido en la Subsección (a) (2). Una declaración en dichas instrucciones por escrito al efecto de "reparación o reemplazo según sea necesario" no reducirá el período de cobertura de la garantía. Cualquier pieza reparada o

reemplazada según la garantía se garantizará por el resto del período de garantía.

(3) Cualquier pieza garantizada que esté programada para reemplazo según el mantenimiento requerido de conformidad con las instrucciones escritas de la Subsección (c) se garantiza por el período de tiempo anterior a la primera fecha de reemplazo programada para esa pieza. Si la pieza falla antes del primer reemplazo programado, la misma será reparada o reemplazada por MTD de acuerdo con la Subsección (4) a continuación. Cualquier pieza reparada o reemplazada bajo garantía se garantizará por el resto del período anterior al primer reemplazo programado puntual para esa pieza.

(4) La reparación o el reemplazo de cualquier pieza garantizada de conformidad con las disposiciones de la garantía que aquí se estipula se debe realizar en un centro de garantía sin costo alguno para el propietario.

(5) Sin perjuicio de las disposiciones de la Subsección (4) anterior, los servicios o reparaciones cubiertos por la garantía deben ser suministrados por todos los centros de distribución de MTD que tengan la franquicia para realizar reparaciones y mantenimiento a los motores en cuestión.

(6) El propietario no debe afrontar ningún cargo para trabajos de diagnóstico que lleven a la conclusión de que una pieza bajo garantía presenta efectivamente defectos, siempre y cuando dicho diagnóstico sea llevado a cabo en un centro cubierto por la garantía.

(7) El fabricante del motor es responsable por daños causados a otros componentes de motores derivados de la falla bajo garantía de cualquier pieza garantizada.

(8) Durante todo el período de garantía del motor definido en la Subsección (a) (2), MTD mantendrá un suministro de piezas cubiertas por garantía suficiente para satisfacer la demanda esperada para tales piezas.

(9) Cualquier pieza de reemplazo se podrá usar para el cumplimiento del mantenimiento o reparaciones bajo garantía, y se suministrará sin cargo al propietario. Dicho uso no reducirá las obligaciones de garantía de MTD.

(10) No se podrán usar piezas adicionales ni modificadas que no estén exentas de acuerdo con el Departamento de los Recursos del Aire (Air Resources Board). El uso de piezas adicionales o modificadas no exentas será causa suficiente para anular un reclamo bajo garantía realizado de acuerdo con este artículo. El fabricante del motor no tendrá responsabilidad, en conformidad con este artículo, de garantizar fallas de piezas garantizadas que fueren causadas por el uso de una pieza no exenta adicional o modificada.

(c) MTD incluirá una copia de la siguiente lista de piezas bajo garantía contra emisiones con cada nuevo motor, utilizando las partes de la lista aplicables al motor.

- (1) Sistema de medición de combustible
 - Sistema de mejora para inicio en frío (cebado suave)
 - Carburador y componentes internos
 - Bomba de combustible
 - Depósito de combustible
- (2) Sistema de inducción de aire
 - Filtro de aire
 - Colector de entrada
- (3) Sistema de encendido
 - Bujía(s)
 - Sistema de encendido por magneto
- (4) Sistema de escape
 - Catalizador
 - SAI (válvula de Caña)
- (5) Componentes varios utilizados en el sistema anterior
 - Válvulas e interruptores de vacío, temperatura, posición sensibles al tiempo
 - Conectores y montajes
- (6) Control de Evaporative
 - Manguera de Combustible certificada para ARB evaporative emisión de 2006.
 - Abrazaderas de Manguera de Combustible
 - Gorra de combustible atada
 - Lata de carbón
 - Líneas de vapor

GARANTÍA LIMITADA DEL FABRICANTE PARA



La siguiente garantía limitada es otorgada por MTD LLC con respecto a nuevos productos adquiridos y utilizados en Estados Unidos y/o sus territorios y posesiones, y por MTD Products Limited con respecto a nuevos productos adquiridos y utilizados en Canadá y/o sus territorios y posesiones (cualquiera de las dos entidades, respectivamente, "MTD").

"MTD" garantiza este producto (excluidas las *Piezas y Accesorios con Desgaste Normal* según se describe más abajo) contra defectos en los materiales y mano de obra por un período de dos (2) años a partir de la fecha de compra original y, a su opción, reparará o reemplazará, sin costo alguno, cualquier pieza que presente defectos en los materiales o de mano de obra. Esta garantía limitada sólo se aplicará si el producto ha sido operado y mantenido de acuerdo con las instrucciones del Manual del Operador que se proporciona con el producto y no ha sido sujeto a uso inapropiado, abuso, uso comercial, abandono, accidente, mantenimiento incorrecto, alteración, vandalismo, robo, incendio, inundación o algún daño debido a otro peligro o desastre natural. El daño resultante por la instalación o el uso de piezas, accesorios o uniones no aprobados por MTD para su uso con el(los) producto(s) incluido(s) en este manual anulará la garantía en lo que respecta a esos daños.

Se garantiza que las *Piezas con Desgaste Normal* están libres de defectos en los materiales y mano de obra por un período de treinta (30) días a partir de la fecha de compra. Las piezas sujetas a desgaste normal incluyen pero no se limitan a: baterías, correas, cuchillas, adaptadores para cuchillas, dientes, bolsas para pasto, ruedas, ruedas para la plataforma de la máquina, asientos, zapatas antideslizantes, ruedas de fricción, placas de raspado, gomas helicoidales, aceite de motor, filtros de aire, bujías y neumáticos.

Accesorios — MTD garantiza que los accesorios de este producto están libres de defectos de material y mano de obra durante un período de un (1) año a partir de la fecha de compra o arrendamiento original del accesorio. Los accesorios incluyen, pero no se limitan a: colectores de césped y kits para abono.

CÓMO SOLICITAR Y OBTENER SERVICIO TÉCNICO: El servicio de la garantía está disponible, CON COMPROBANTE DE COMPRA, a través de su distribuidor de servicio autorizado local. Para localizar el distribuidor de su zona:

En Estados Unidos de América

Consulte las páginas amarillas, o póngase en contacto con MTD LLC en P.O. Box 361131, Cleveland, Ohio 44136-0019, llame al 1-800-800-7310 o al 1-330-220.4683, o visite nuestro sitio web en www.mtdproducts.com.

En Canadá

Contacte MTD Products Limited, Kitchener, ON N2G 4J1, llame al 1-800-668-1238 o visite nuestro sitio web en www.mtdcanada.com.

Esta garantía limitada **no** ofrece cobertura en los siguientes casos:

- Las bombas, válvulas y cilindros del rompetroncos tienen una garantía separada de un año.
- Los artículos necesarios para el mantenimiento de rutina como por ejemplo lubricantes, filtros, afiladores de cuchillas, sincronización del motor, los ajustes de los frenos, del embrague o de la plataforma y el deterioro normal del acabado exterior debido al uso o exposición.

- Mantenimiento no realizado por el distribuidor de servicio autorizado.
- MTD no extiende ninguna garantía para los productos vendidos o exportados fuera de los Estados Unidos de América y/o Canadá, y sus respectivas posesiones y territorios, excepto para aquellos vendidos a través de los canales autorizados de distribución de exportaciones de MTD.
- Piezas de reemplazo que no son piezas genuinas de MTD.
- Gastos de transporte y visitas técnicas.
- MTD no garantiza este producto para uso comercial.

No se aplican garantías implícitas, incluidas las garantías implícitas de comerciabilidad o de adecuación para un propósito determinado, después del período de aplicación de la garantía escrita expresa extendida más arriba para las piezas de acuerdo con su identificación. Ninguna otra garantía expresa, oral o escrita, excepto la mencionada anteriormente, extendida por personas o personas jurídicas, incluidos los distribuidores o los minoristas con respecto a los productos, obligará a MTD. Durante el plazo de la garantía el único recurso es la reparación o reemplazo del producto como se indicó anteriormente.

Las disposiciones incluidas en esta garantía proveen el recurso único y exclusivo que surge de las ventas. MTD no será responsable por pérdidas o daños incidentales o directos, incluyendo sin límites, los gastos incurridos para los servicios de cuidado del pasto de reemplazo o cambio, o los gastos de alquiler para reemplazar de manera transitoria un producto bajo garantía.

Algunos estados no permiten la exclusión o limitación de los daños y perjuicios incidentales o directos, o las limitaciones sobre la duración de las garantías implícitas, por lo que las exclusiones o limitaciones mencionadas anteriormente pueden no ser de aplicación.

En ningún caso se obtendrá una compensación mayor al monto del precio de compra del producto vendido. **La alteración de las características de seguridad del producto anulará esta garantía.** Usted asume el riesgo y la responsabilidad de las pérdidas, daños o lesiones que sufran usted y sus bienes y / u otras personas y sus bienes como resultado del uso incorrecto o de la falta de capacidad para usar este producto.

Esta garantía limitada alcanza solamente al comprador original, o a la persona que recibió el producto de regalo.

CÓMO SE RELACIONA LA LEGISLACIÓN ESTATAL CON ESTA GARANTÍA: Esta garantía limitada le otorga derechos legales específicos y usted también puede tener otros derechos que varían de un estado a otro.

IMPORTANTE: El propietario debe presentar el Comprobante de compra original para obtener la cobertura de la garantía.

**MTD LLC, P.O. BOX 361131 CLEVELAND, OHIO 44136-0019, Teléfono: 1-800-800-7310, 1-330-220-4683
MTD Canada Limited - KITCHENER, ON N2G 4J1; teléfono 1-800-668-1238**