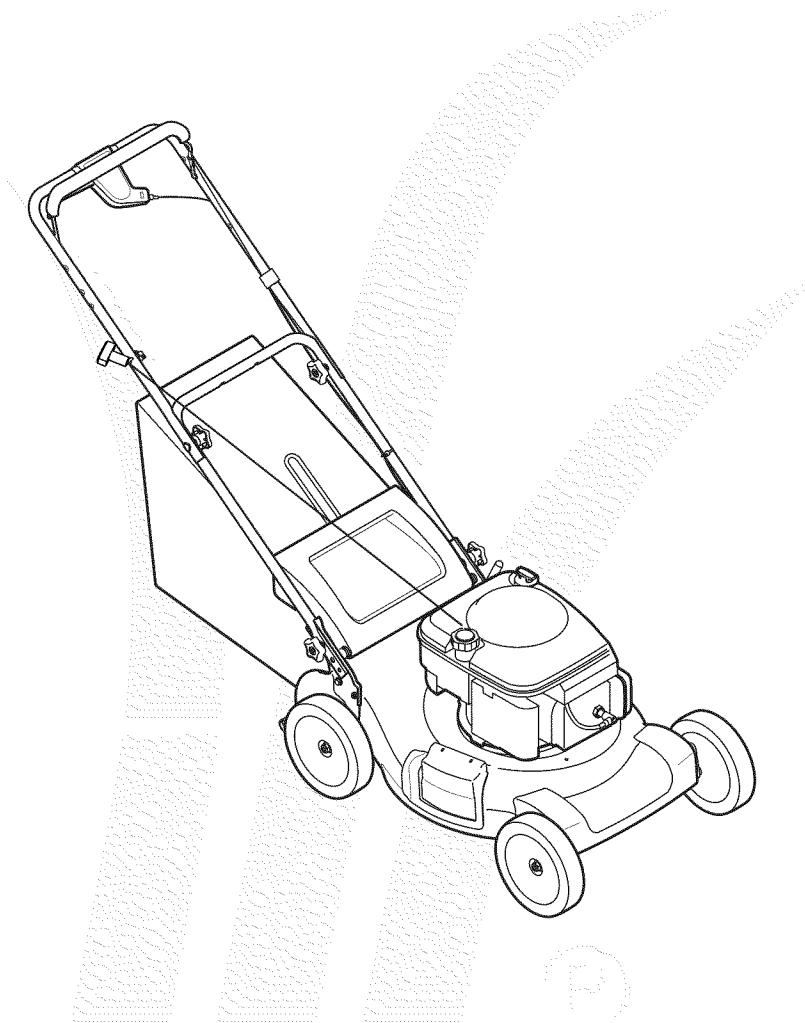


OPERATOR'S MANUAL



21-inch Rotary Mower — Model Series 830

IMPORTANT

READ SAFETY RULES AND INSTRUCTIONS CAREFULLY BEFORE OPERATION

Warning: This unit is equipped with an internal combustion engine and should not be used on or near any unimproved forest-covered, brush-covered or grass-covered land unless the engine's exhaust system is equipped with a spark arrester meeting applicable local or state laws (if any). If a spark arrester is used, it should be maintained in effective working order by the operator. In the State of California the above is required by law (Section 4442 of the California Public Resources Code). Other states may have similar laws. Federal laws apply on federal lands. A spark arrester for the muffler is available through your nearest engine authorized service dealer or contact the service department, P.O. Box 361131 Cleveland, Ohio 44136-0019.

This Operator's Manual is an important part of your new lawn mower. It will help you assemble, prepare, and maintain the unit for best performance. Please read and understand what it says.

Table of Contents

Slope Gauge.....	3	Maintaining Your Lawn Mower.....	10
Safe Operation Practices	4	Troubleshooting.....	14
Setup and Adjustment	6	Off-Season Storage and Safety Labels	15
Operating Your Lawn Mower.....	8	Parts List	16

MTD LLC reserves the right to change product specifications, designs, and equipment without notice and without incurring obligation.

Finding and Recording Model Number

BEFORE ASSEMBLING YOUR NEW EQUIPMENT, please locate the model plate on the equipment and copy the information to the sample model plate provided to the right. You can locate the model plate by standing at the operating position and looking down at the rear of the deck. This information will be necessary to use the manufacturer's web site, to obtain assistance from the Customer Support Department, or when contacting an authorized service dealer.

Model Number	Serial Number
	MTD LLC P.O. BOX 361131 CLEVELAND, OH 44136 330-220-4683 800-800-7310

Customer Support

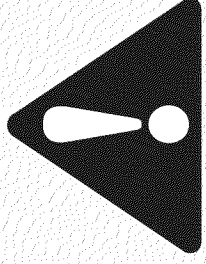
Please do NOT return the unit to the retailer from which it was purchased, without first contacting Customer Support.

If you have difficulty assembling this product or have any questions regarding the controls, operation, or maintenance of this unit, you can seek help from the experts. Choose from the options below:

- Visit www.mtdproducts.com
- Call a Customer Support Representative at **1-800-800-7310**.
- The **engine manufacturer** is responsible for all engine-related issues with regards to performance, power-rating, specifications, warranty and service. Please refer to the engine manufacturer's Owner's/Operator's Manual, packed separately with your unit, for more information.

1

Slope Gauge

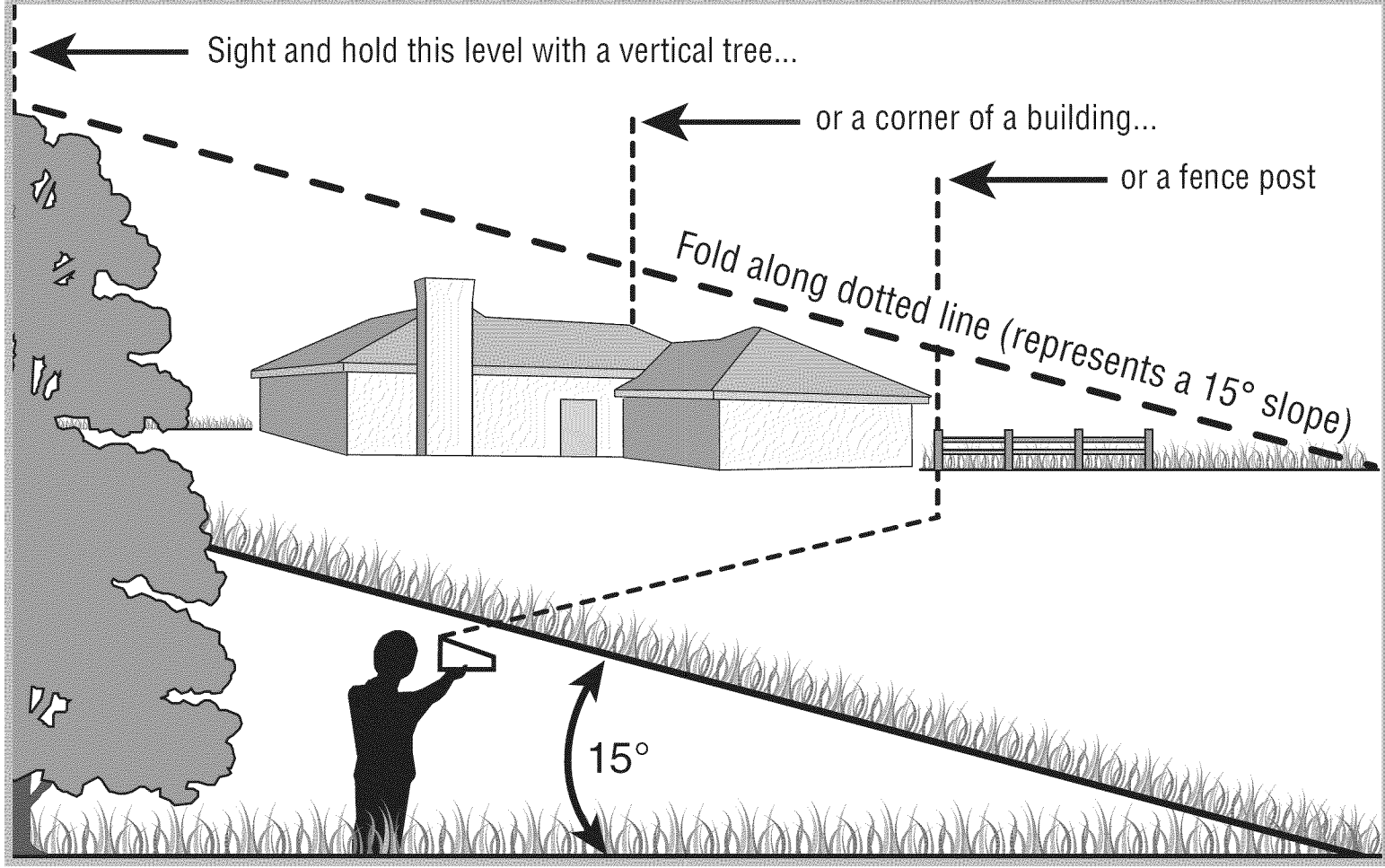


WARNING

Do not mow on inclines with a slope in excess of 15 degrees (a rise of approximately 2-1/2 feet every 10 feet).

Operate WALK-BEHIND mowers across the face of slopes, never up and down slopes.

Use this page as a guide to determine slopes where you may not operate safely.
Do not operate your lawn mower on such slopes.



2

Safe Operation Practices



WARNING

This symbol points out important safety instructions which, if not followed, could endanger the personal safety and/or property of yourself and others. Read and follow all instructions in this manual before attempting to operate this machine. Failure to comply with these instructions may result in personal injury. When you see this symbol.

HEED ITS WARNING!

Your Responsibility
Restrict the use of this power machine to persons who read, understand and follow the warnings and instructions in this manual and on the machine.



WARNING: Engine Exhaust, some of its constituents, and certain vehicle components contain or emit chemicals known to State of California to cause cancer and birth defects or other reproductive harm.

DANGER: This machine was built to be operated according to the rules for safe operation in this manual. As with any type of power equipment, carelessness or error on the part of the operator can result in serious injury. This machine is capable of amputating hands and feet and throwing objects. Failure to observe the following safety instructions could result in serious injury or death.

Children

Tragic accidents can occur if operator is not alert to presence of children. Children are often attracted to mower and mowing activity. They do not understand the dangers. Never assume that children will remain where you last saw them.

1. Keep children out of the mowing area and under watchful care of a responsible adult other than the operator.
2. Be alert and turn mower off if a child enters the area.
3. Before and while moving backwards, look behind and down for small children.
4. Use extreme care when approaching blind corners, doorways, shrubs, trees, or other objects that may obscure your vision of a child who may run into the mower.
5. Keep children away from hot or running engines. They can suffer burns from a hot muffler.
6. Never allow children under 14 years old to operate a power mower. Children 14 years old and over should read and understand operation instructions and safety rules in this manual and should be trained and supervised by a parent.

General Operation

1. Read this operator's manual carefully in its entirety before attempting to assemble this machine. Read, understand, and follow all instructions on the machine and in the manual(s) before operation. Be completely familiar with the controls and the proper use of this machine before operating it. Keep this manual in a safe place for future and regular reference and for ordering replacement parts.
2. This machine is a precision piece of power equipment, not a plaything. Therefore, exercise extreme caution at all times. Your unit has been designed to perform one job: to mow grass. Do not use it for any other purpose.
3. Never allow children under 14 years old to operate this machine. Children 14 years old and over should read and understand the instructions in this manual and should be trained and supervised by a parent. Only responsible individuals who are familiar with these rules of safe operation should be allowed to use this machine.
4. Thoroughly inspect the area where the equipment is to be used. Remove all stones, sticks, wire, bones, toys and other foreign objects, which could be tripped over or picked up and thrown by the blade. Thrown objects can cause serious personal injury. Plan your mowing pattern to avoid discharge of material toward roads, sidewalks, bystanders and the like. Also, avoid discharging material against a wall or obstruction, which may cause discharged material to ricochet back toward the operator.
5. To help avoid blade contact or a thrown object injury, stay in operator zone behind handles and keep children, bystanders, helpers and pets at least 75 feet from mower while it is in operation. Stop machine if anyone enters area.
6. Always wear safety glasses or safety goggles during operation and while performing an adjustment or repair to protect your eyes. Thrown objects which ricochet can cause serious injury to the eyes.
7. Wear sturdy, rough-soled work shoes and close-fitting slacks and shirts. Shirts and pants that cover the arms and legs and steel-toed shoes are recommended. Never operate this machine in bare feet, sandals, slippery or light-weight (e.g. canvas) shoes.
8. Do not put hands or feet near rotating parts or under cutting deck. Contact with blade can amputate hands and feet.
9. A missing or damaged discharge cover can cause blade contact or thrown object injuries.
10. Many injuries occur as a result of the mower being pulled over the foot during a fall caused by slipping or tripping. Do not hold on to the mower if you are falling; release the handle immediately.
11. Never pull the mower back toward you while you are walking. If you must back the mower away from a wall or obstruction first look down and behind to avoid tripping and then follow these steps:
 - a. Step back from mower to fully extend your arms.
 - b. Be sure you are well balanced with sure footing.
 - c. Pull the mower back slowly, no more than half way toward you.
 - d. Repeat these steps as needed.
12. Do not operate the mower while under the influence of alcohol or drugs.
13. Do not engage the self-propelled mechanism on units so equipped while starting engine.
14. The blade control handle is a safety device. Never attempt to bypass its operation. Doing so makes the safety device inoperative and may result in personal injury through contact with the rotating blade. The blade control handle must operate easily in both directions and automatically return to the disengaged position when released.
15. Never operate the mower in wet grass. Always be sure of your footing. A slip and fall can cause serious personal injury. If you feel you are losing your footing, release the blade control handle immediately and the blade will stop rotating within three seconds.
16. Mow only in daylight or good artificial light. Walk, never run.
17. Stop the blade when crossing gravel drives, walks or roads.
18. If the equipment should start to vibrate abnormally, stop the engine and check immediately for the cause. Vibration is generally a warning of trouble.

19. Shut the engine off and wait until the blade comes to a complete stop before removing the grass catcher or unclogging the chute.

The cutting blade continues to rotate for a few seconds after the engine is shut off. Never place any part of the body in the blade area until you are sure the blade has stopped rotating.

20. Never operate mower without proper trail shield, discharge cover, grass catcher, blade control handle or other safety protective devices in place and working. Never operate mower with damaged safety devices. Failure to do so can result in personal injury.

21. Muffler and engine become hot and can cause a burn. Do not touch.

22. Only use parts and accessories made for this machine by manufacturer. Failure to do so can result in personal injury.

23. If situations occur which are not covered in this manual, use care and good judgment. Contact your dealer for assistance.

Slope Operation

Slopes are a major factor related to slip and fall accidents, which can result in severe injury. Operation on slopes requires extra caution. If you feel uneasy on a slope, do not mow it. For your safety, use the slope gauge included as part of this manual to measure slopes before operating this unit on a sloped or hilly area. If the slope is greater than 15 degrees, do not mow it.

Do:

1. Mow across the face of slopes; never up and down. Exercise extreme caution when changing direction on slopes.
2. Watch for holes, ruts, rocks, hidden objects, or bumps which can cause you to slip or trip. Tall grass can hide obstacles.
3. Always be sure of your footing. A slip and fall can cause serious personal injury. If you feel you are losing your balance, release the blade control handle immediately, and the blade will stop rotating within 3 seconds.

Do Not:

1. Do not mow near drop-offs, ditches or embankments, you could lose your footing or balance.
2. Do not mow slopes greater than 15 degrees as shown on the slope gauge.
3. Do not mow on wet grass. Unstable footing could cause slipping.

Service

Safe Handling Of Gasoline:

1. To avoid personal injury or property damage use extreme care in handling gasoline. Gasoline is extremely flammable and the vapors are explosive. Serious personal injury can occur when gasoline is spilled on yourself or your clothes, which can ignite. Wash your skin and change clothes immediately.
2. Use only an approved gasoline container.
3. Never fill containers inside a vehicle or on a truck or trailer bed with a plastic liner. Always place containers on the ground away from your vehicle before filling.
4. Remove gas-powered equipment from the truck or trailer and refuel it on the ground. If this is not possible, then refuel such equipment on a trailer with a portable container, rather than from a gasoline dispenser nozzle.
5. Keep the nozzle in contact with the rim of the fuel tank or container opening at all times until fueling is complete. Do not use a nozzle lock-open device.

6. Extinguish all cigarettes, cigars, pipes and other sources of ignition.
7. Never fuel machine indoor because flammable vapors will accumulate in the area.
8. Never remove gas cap or add fuel while engine is hot or running. Allow engine to cool at least two minutes before refueling.
9. Never over fill fuel tank. Fill tank to no more than ½ inch below bottom of filler neck to provide for fuel expansion.
10. Replace gasoline cap and tighten securely.
11. If gasoline is spilled, wipe it off the engine and equipment. Move unit to another area. Wait 5 minutes before starting engine.
12. Never store the machine or fuel container near an open flame, spark or pilot light as on a water heater, space heater, furnace, clothes dryer or other gas appliances.
13. To reduce fire hazard, keep mower free of grass, leaves, or other debris build-up. Clean up oil or fuel spillage and remove any fuel soaked debris.
14. Allow a mower to cool at least 5 minutes before storing.

General Service:

1. Never run an engine indoors or in a poorly ventilated area. Engine exhaust contains carbon monoxide, an odorless and deadly gas.
2. Before cleaning, repairing, or inspecting, make certain the blade and all moving parts have stopped. Disconnect the spark plug wire and ground against the engine to prevent unintended starting.
3. Check the blade and engine mounting bolts at frequent intervals for proper tightness. Also, visually inspect blade for damage (e.g., bent, cracked, worn) Replace blade with the original equipment manufacturer's (O.E.M.) blade only, listed in this manual. "Use of parts which do not meet the original equipment specifications may lead to improper performance and compromise safety!"
4. Mower blades are sharp and can cut. Wrap the blade or wear gloves, and use extra caution when servicing them.
5. Keep all nuts, bolts, and screws tight to be sure the equipment is in safe working condition.
6. Never tamper with safety devices. Check their proper operation regularly.
7. After striking a foreign object, stop the engine, disconnect the spark plug wire and ground against the engine. Thoroughly inspect the mower for any damage. Repair the damage before starting and operating the mower.
8. Never attempt to make a wheel or cutting height adjustment while the engine is running.
9. Grass catcher components, discharge cover, and trail shield are subject to wear and damage which could expose moving parts or allow objects to be thrown. For safety protection, frequently check components and replace immediately with original equipment manufacturer's (O.E.M.) parts only, listed in this manual. "Use of parts which do not meet the original equipment specifications may lead to improper performance and compromise safety!"
10. Do not change the engine governor setting or over-rev the engine. The governor controls the maximum safe operating speed of the engine.
11. Maintain or replace safety labels, as necessary.
12. Observe proper disposal laws and regulations. Improper disposal of fluids and materials can harm the environment.

2

Safe Operation Practices



WARNING

This symbol points out important safety instructions, which if not followed, could endanger the personal safety and/or property of yourself and others. Read and follow all instructions in this manual before attempting to operate this machine. Failure to comply with these instructions may result in personal injury. When you see this symbol.

HEED IT'S WARNING!

Your Responsibility

Restrict the use of this power machine to persons who read, understand and follow the warnings and instructions in this manual and on the machine.

3

Setup and Adjustment



NOTE: This Operator's Manual covers several models. Lawn Mower features vary by model. Not all features discussed (or engines pictured) in this manual are applicable to all Lawn Mower models.

NOTE: Stand behind the mower as if you were going to operate it. Your right hand corresponds to the right side of the mower; your left hand corresponds to the left side of the mower.

NOTE: For shipping purposes your mower is set with the wheels in a low cutting height position. For best results raise the cutting position until it is determined which height is best for your lawn, refer to Adjustment section for instructions.

IMPORTANT
DO NOT crimp the cables when lifting the handle up.

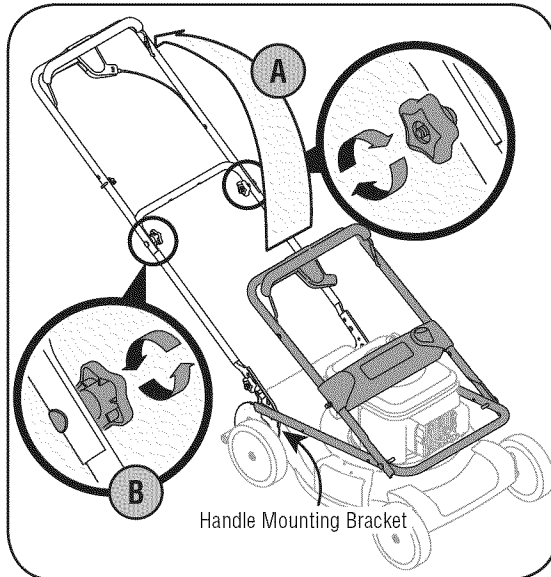


Figure 3-1: Unfold handle and tighten hardware.

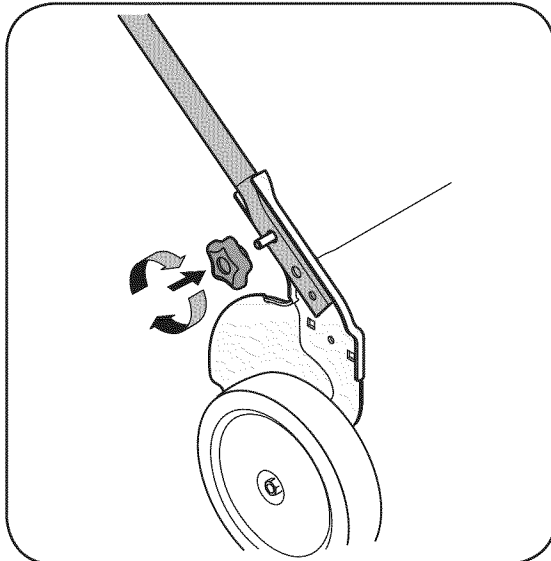


Figure 3-2: Secure handle to handle mounting brackets.

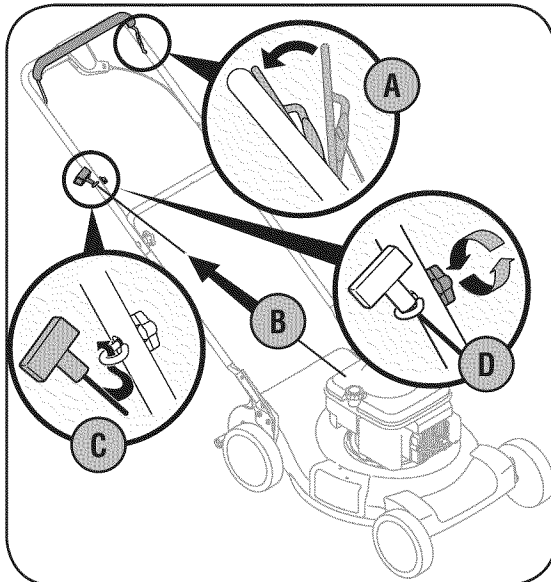


Figure 3-3: Pull recoil starter through rope guide and tighten.

1. Remove grass catcher and any packing material which may be between upper and lower handles.
 - a. Remove hand knobs from handle mounting brackets and pull up and back on upper handle as shown in Figure 3-1. Make certain the lower handle is seated securely into the handle mounting brackets.
 - b. Tighten hand knobs securing upper handle to lower handle. Make sure that each carriage bolt is seated properly in the handle.
2. Replace and tighten hand knobs removed earlier securing lower handle to handle brackets, Figure 3-2.
3. The rope guide is attached to the right side of the upper handle. Loosen the wing nut which secures the rope guide. See Figure 3-3.
 - a. Hold the blade control against upper handle.
 - b. Pull starter rope out of the engine. Release the blade control.
 - c. Slip starter rope into rope guide.
 - d. Tighten wing nut.
4. Secure cables to the lower handle using the cable tie. Pull cable tie tight and cut off excess.
5. To assemble the grass catcher (if needed), place bag over frame with the black plastic side at the bottom. Slip plastic channel over hooks on frame. All channels except for center top of bag attach from the outside. The center of bag attaches from the inside.
6. Before attaching the grass catcher, the mulching baffle must be removed. Refer to Figure 3-5.
 - a. Lift rear discharge door.
 - b. Remove mulching baffle.
7. To attach grass catcher, refer to Figure 3-4.
 - a. Lift rear discharge door.
 - b. Place grass catcher on the pivot rod. Let go of discharge door so that it rests on the grass catcher.

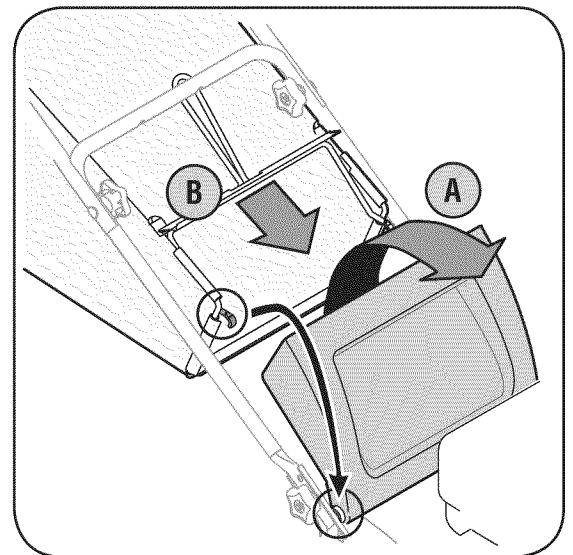


Figure 3-4: Lift discharge door and place grass catcher on rod.



WARNING: Never operate mower unless the hooks on the grass catcher are firmly seated on the pivot rod and the rear discharge door rests firmly against top of the grass catcher.

8. The battery pack within the Electric Starter must be charged 8 to 10 hours before use. Refer to "Charging Battery" in the Maintenance section for instructions.
9. Follow the steps below to install the mulching baffle:
 - a. Lift the rear discharge door and lift the grass catcher up and off of the pivot rod, if installed.
 - b. Insert the mulching baffle as shown in Figure 3-5 and release the rear discharge door.

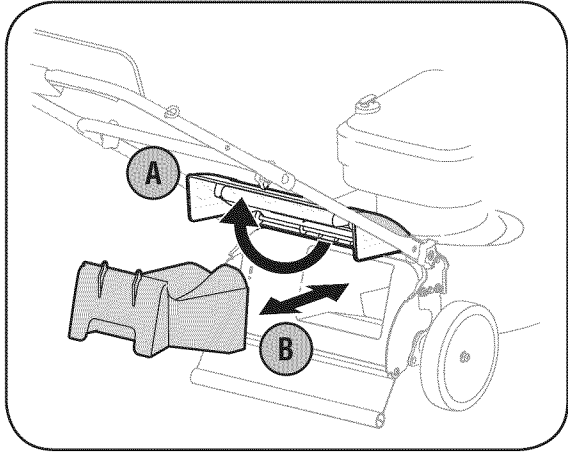


Figure 3-5: The mulching baffle

10. To convert to side discharge, make sure grass catcher is off of the unit and rear discharge door is closed.

- a. On the side of the mower, lift the mulching plug.
- b. Slide two hooks on side discharge chute under hinge pin on mulching plug assembly. See Figure 3-6. Lower the mulching plug. Do not remove side mulching plug at any time even when you are not mulching.

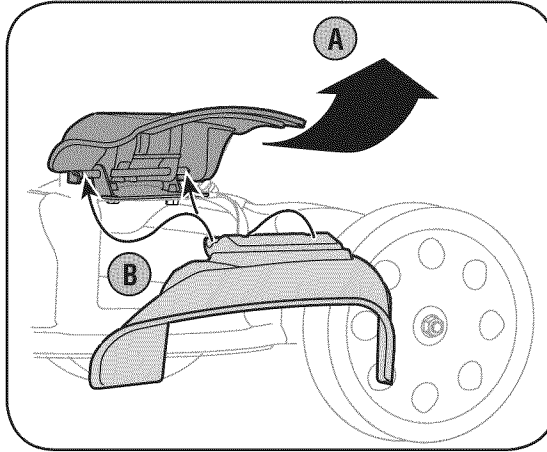


Figure 3-6: Installing the side discharge chute.

Adjustments

Cutting Height

The cutting height adjustment lever is located above the rear left wheel. See Figure 3-7.

- a. Pull the lever out and away from the mower.
- b. Move the lever forward or back for desired cutting height.
- c. Release lever towards mower deck.

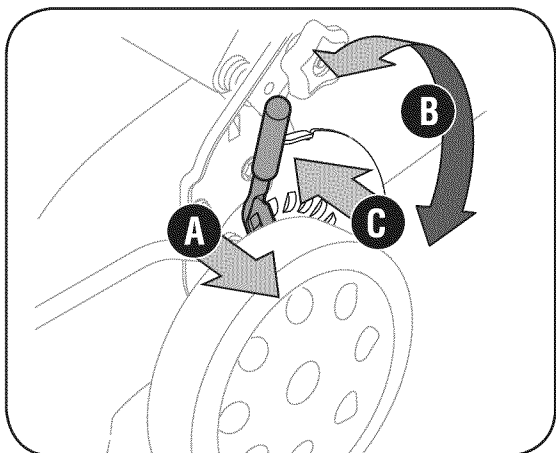


Figure 3-7: The cutting height adjustment lever.

Drive Control

The adjustment wheel is located in the drive control handle housing and is used to tighten or loosen the drive belt. You will need to adjust the drive control if the mower does not propel itself with the drive control engaged or if the mower's wheels hesitate with the drive control engaged. If either of these conditions occur, rotate the adjustment wheel clockwise to tighten the cable or counterclockwise to loosen the cable. See Figure 3-8.

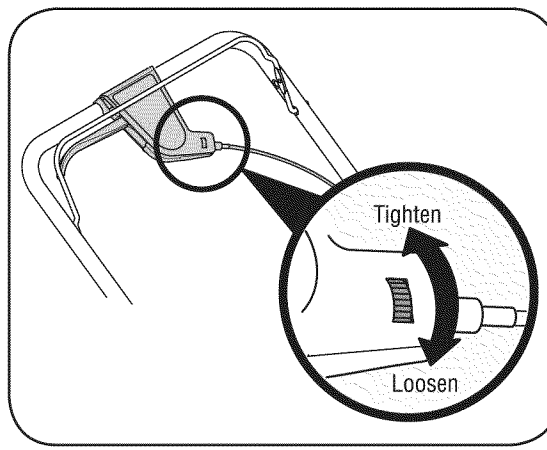


Figure 3-8: The adjustment wheel on the drive control.

3

Setup and Adjustment



WARNING

Never operate mower unless the hooks on the grass catcher are firmly seated on the pivot rod and the rear discharge door rests firmly against top of the grass catcher.



CUTTING HEIGHT

For rough or uneven lawns, move the height adjustment lever to a higher position. This will help prevent scalping of the grass.

DRIVE CONTROL

For some people the drive control may not be in a comfortable position. You can adjust the handle by tightening the adjustment wheel.

4

Operating Your Lawn Mower



WARNING

The blade control mechanism is a safety device. Never attempt to bypass its operations.

Use extreme care when handling gasoline. Gasoline is extremely flammable and the vapors are explosive. *Never* fuel the machine indoors or while the engine is hot or running. Extinguish cigarettes, cigars, pipes and other sources of ignition.

IMPORTANT

This unit is shipped without gasoline or oil in the engine. Fill up gasoline and oil as instructed in the accompanying engine manual **BEFORE** operating your mower.

Know Your Lawn Mower

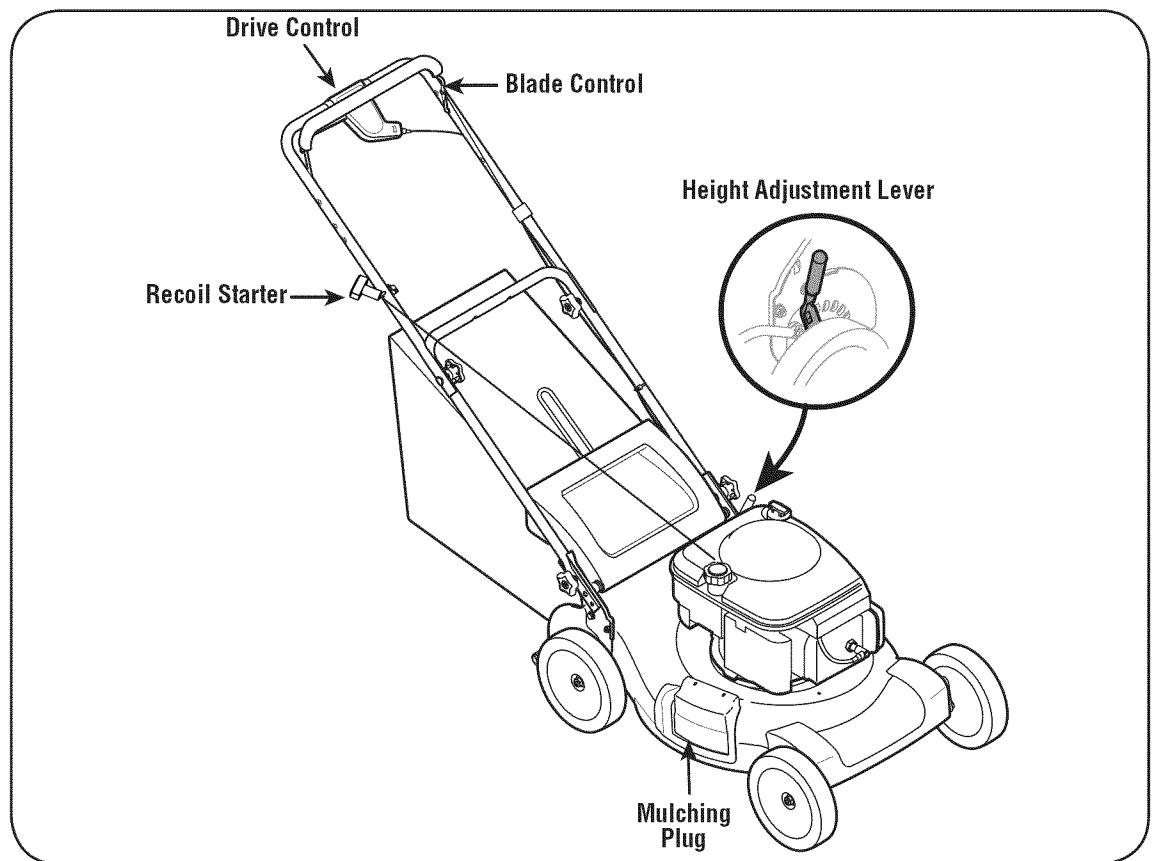


Figure 4-1: The major components on the mower.

Now that you have setup your lawn mower for operation, it's important to become acquainted with its controls and features.

Blade Control

The blade control is attached to the upper handle of the mower. Depress and squeeze it against the upper handle to operate unit. Release it to stop engine and blade.



WARNING: The blade control is a safety device. Do not bypass its operation.

Drive Control

The drive control is located on the upper handle. Squeeze the drive control lever to engage the drive system. Release it to disengage the drive system. To slow down when approaching an obstacle, making a turn, or stopping, release the lever.

Cutting Height Adjustment Lever

The cutting height adjustment lever is located above the left rear wheel. To adjust the cutting height, refer to the Adjustment Section.

Recoil Starter

The recoil starter is attached to the right upper handle. Stand behind the unit and pull the recoil starter rope to start the unit.

Mulching Plug

The mulching plug is used for mulching purpose. Instead of collecting the grass clippings in the grass catcher, your mower has the option of recirculating the clippings back to the lawn. Make sure that the rear discharge door is closed and the grass catcher is removed from unit while mulching.

Electric Starter (If Equipped)

The ignition switch is located on the left side of the electric starter handle panel. It is necessary to charge the battery for 8 to 10 hours before initial use. Refer to the Maintenance section for more information.

Gas and Oil Fill-Up

1. Check oil level and add oil if necessary. Follow engine manual for this.
2. Service the engine with gasoline as instructed in the engine manual. See Engine manual for location of gas and oil fill.



WARNING: Use extreme care when handling gasoline. Gasoline is extremely flammable and the vapors are explosive. Never fuel the machine indoors or while the engine is hot or running. Extinguish cigarettes, cigars, pipes and other sources of ignition.



WARNING: The operation of any lawn mower can result in foreign objects being thrown into the eyes, which can damage your eyes severely. Always wear safety glasses while operating the mower or while performing any adjustments or repairs on it.

Starting Engine



WARNING: Be sure no one other than the operator is standing near the lawn mower while starting engine or operating mower. Never run engine indoors or in enclosed, poorly ventilated areas. Engine exhaust contains carbon monoxide, an odorless and deadly gas. Keep hands, feet, hair and loose clothing away from any moving parts on engine and lawn mower.

1. Push primer (if equipped) three times. Wait about two seconds between each push. See Figure 4-2. In temperature around 55°F or below, prime five times. Do not prime to restart a warm engine.
2. Standing behind the mower, squeeze the blade control against upper handle. See Figure 4-2.
3. **Recoil Start:** Grasp recoil starter handle and pull rope out with a rapid, continuous, full arm stroke. See Figure 4-2. Keeping a firm grip on the starter handle, let the rope rewind slowly. Repeat until engine cranks. Let the rope rewind each time slowly.

Electric Start (If Equipped): Turn ignition key to the right to start the engine. See Figure 4-2. Release the key after the engine starts.

Honda Engine (If Equipped):

1. Place the fuel valve lever found on the left side of the engine into the ON (OPEN) position.
2. Move the choke lever (If equipped) all the way backward into the choke position. See Figure 4-2 inset.
3. Standing behind the mower, squeeze the blade control against upper handle as shown in Figure 4-2. The choke will now begin to slowly return to the off choke position after activating the blade control. Therefore, quickly move onto step four below.
4. Holding these two handles together firmly, grasp recoil starter handle and pull rope out with a rapid, continuous, full arm stroke. Keeping a firm grip on the starter handle let the rope rewind slowly. Repeat until engine cranks. Let the rope rewind each time slowly.



WARNING: Wait for the blade to stop completely before performing any work on the mower or to remove the grass catcher.

Stopping Engine

1. Release blade control to stop the engine and blade.
2. Disconnect spark plug wire from spark plug and ground against the engine.

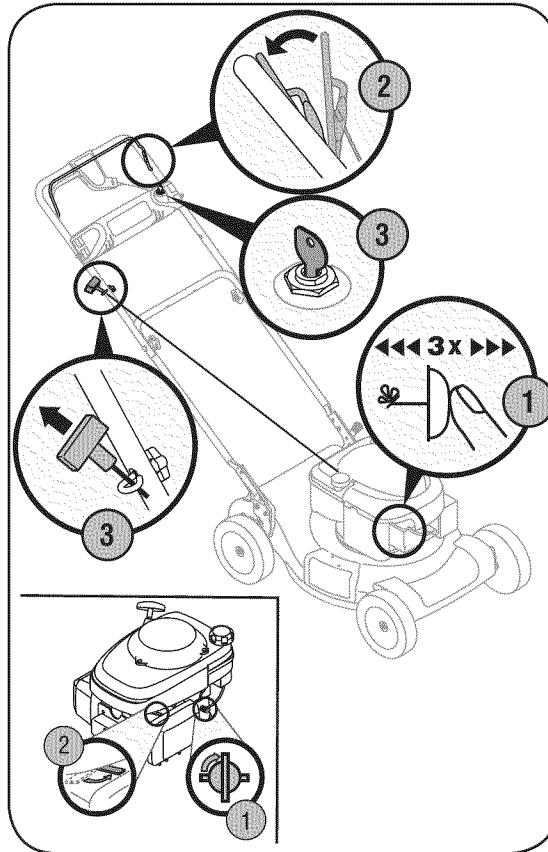


Figure 4-2: Starting the mower.

Using Your Lawn Mower



WARNING: Never operate your mower without either the rear door or the entire grass catcher assembly firmly secured.

Be sure lawn is clear of stones, sticks, wire, or other objects which could damage lawn mower or engine. Such objects could be accidentally thrown by the mower in any direction and cause serious personal injury to the operator and others.



WARNING: If you strike a foreign object, stop the engine. Remove wire from the spark plug, thoroughly inspect mower for any damage, and repair damage before restarting and operating. Extensive vibration of mower during operation is an indication of damage. The unit should be promptly inspected and repaired.

Using as Mulcher

For mulching grass, remove the grass catcher and side discharge chute from the mower. For effective mulching, do not cut wet grass. If the grass has been allowed to grow in excess of four inches, mulching is not recommended. Use the grass catcher to bag clippings instead.

Using Grass Catcher

You can use the grass catcher to collect clippings while you are operating the mower. Refer to setup section for instructions on attaching the grass catcher.

4

Operating Your Lawn Mower



WARNING

The operation of any lawn mower can result in foreign objects being thrown into the eyes, which can damage your eyes severely. Always wear safety glasses while operating the mower, or while performing any adjustments or repairs on it.

Be sure no one other than the operator is standing near the lawn mower while starting engine or operating mower. Never run engine indoors or in enclosed, poorly ventilated areas. Engine exhaust contains carbon monoxide, an odorless and deadly gas. Keep hands, feet, hair and loose clothing away from any moving parts on engine and lawn mower.

5

Maintaining Your Lawn Mower



WARNING

Always stop engine, disconnect spark plug, and ground against engine before cleaning, lubricating, or performing any kind of maintenance on your machine.



IMPORTANT: The use of a pressure washer or garden hose to clean your unit is not recommended. These may cause damage to electric components, spindles, pulleys, bearings, or the engine. The use of water will result in shortened life and reduce serviceability.

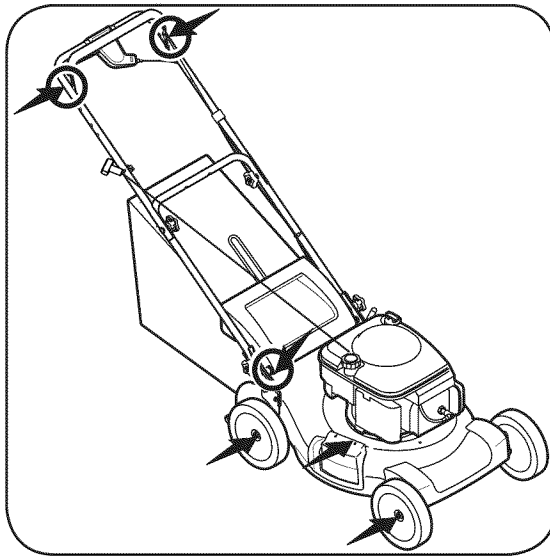


Figure 5-1: Lubrication areas on the mower.

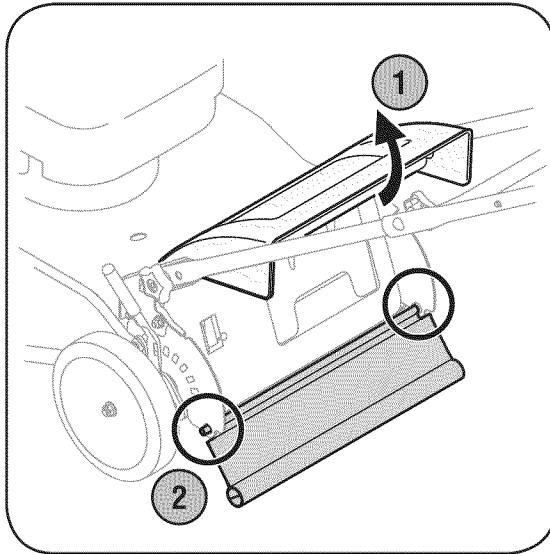


Figure 5-2: Replacing the rear flap.

General Recommendations

- Always observe safety rules when performing any maintenance.
- The warranty on this lawn mower does not cover items that have been subjected to operator abuse or negligence. To receive full value from warranty, operator must maintain the lawn mower as instructed here.
- Changing of engine-governed speed will void engine warranty.
- All adjustments should be checked at least once each season.
- Periodically check all fasteners and make sure these are tight.



WARNING: Always stop engine, disconnect spark plug, and ground against engine before cleaning, lubricating or doing any kind of maintenance on your machine.

Lubrication

1. Lubricate pivot points on the blade control at least once a season with light oil. The blade control must operate freely in both directions. See Figure 5-1.
2. Lubricate the wheels at least once a season with light oil (or motor oil). If wheels are removed for any reason, lubricate surface of the axle and inner surface of the wheel with light oil.
3. Lubricate the torsion spring and pivot point on the rear discharge door and side mulch plug periodically with light oil to prevent rust. See Figure 5-1.
4. The transmission is pre-lubricated and sealed at the factory and does not require lubrication.
5. Follow the accompanying engine manual for lubrication schedule and instruction for engine lubrication.

Deck Care

1. Disconnect spark plug wire. Drain gasoline from lawn mower or place a piece of plastic under the gas cap.
2. Tip mower so that it rests on the housing. Keep the side with the air cleaner facing up. Hold mower firmly.



WARNING: Never tip the mower more than 90 degrees in any directions and do not leave the mower tipped for any length of time. Oil can drain into the upper part of the engine causing a starting problem.

3. Scrape and clean the underside of the deck with a suitable tool. Do not spray with water.
4. Put the mower back on its wheels on the ground. If you had put plastic under the gas cap earlier, make sure to remove it now.

Engine Care

- Maintain oil level as instructed in engine manual.
- Service air cleaner every 25 hours under normal conditions. Clean every few hours under extremely dusty conditions. Refer to engine manual.
- Clean spark plug and reset the gap once a season. Check engine manual for correct plug type and gap specifications.
- Clean engine regularly with a cloth or brush. Keep the cooling system (blower housing area) clean to permit proper air circulation. Remove all grass, dirt and combustible debris from muffler area.

Replacing Rear Flap

1. Lift up rear door.
2. Bend (bow) the rear flap inward on each side to release tabs from the holes in the handle mounting brackets. See Figure 5-2.
3. Replace with new flap by bending the rear flap and sliding into place.

Blade Care



WARNING: When removing cutting blade for sharpening or replacement, protect your hands with a pair of heavy gloves or use a heavy rag to hold blade.

1. Disconnect spark plug wire from spark plug. Turn mower on its side making sure that the air filter and the carburetor are up.
2. Remove bolt, blade bell support, blade, and adapter from the engine crankshaft. See Figure 5-3.

NOTE: When removing the blade, adapter, etc., be careful not to remove or misplace parts above it associated with the engine pulley.

3. The blade can be sharpened with a file or on a grinding wheel. Do not attempt to sharpen the blade while it is still on the mower. When sharpening blade, follow original angle of grind. Grind cutting edges equally to keep blade balanced.
4. Remove blade from the adapter for testing balance. Balance the blade on a round shaft screwdriver to check. Remove metal from the heavy side until it balances evenly.



WARNING: An unbalanced blade will cause excessive vibration when rotating at high speeds. It may cause damage to mower, and could break causing personal injury.

5. Lubricate the engine crankshaft and the inner surface of the blade adapter with light oil. Slide the blade adapter onto the engine crankshaft. Place the blade on the adapter such that the side of the blade marked "Bottom" (or with part number) faces the ground when the mower is in the operating position. Make sure that blade is aligned and seated on blade adapter flanges.
6. Place blade bell support on the blade. Align notches on the blade bell support with small holes in blade. Replace hex bolt and tighten hex bolt to torque: 450 in. lbs. min., 600 in. lbs. max.

To ensure safe operation of your mower, periodically check the blade bolt for correct torque.

Belt Care

1. Disconnect the spark plug wire and ground it against the engine.
2. Drain the fuel tank or place a piece of plastic beneath the cap to prevent gasoline leakage.
3. Tip mower on its side (air cleaner side of engine up).
4. Remove blade, adapter, and related hardware as instructed under "Blade Care" above. See Figure 5-3.
5. a. Remove the self-tapping screws that secures the engine baffle to the deck. See Figure 5-4. Remove engine baffle.
b. Loosen self-tapping screw that secures deck baffle to the deck. See Figure 5-4.

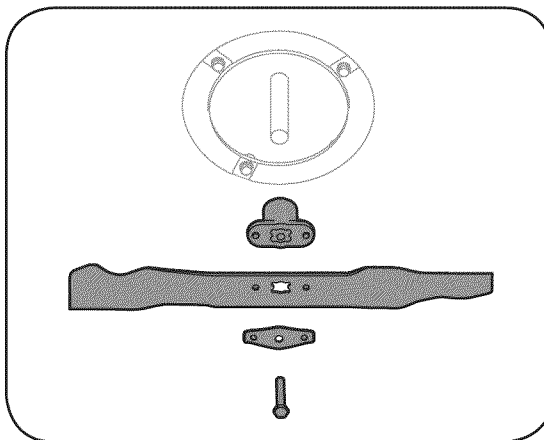


Figure 5-3: Remove the bolt, support, blade, and adapter to access the blade and underside components.

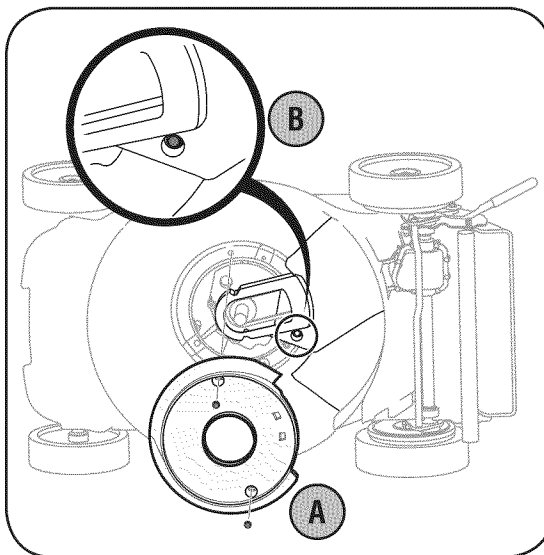


Figure 5-4: A. Remove the screws that hold the engine baffle onto the deck. B. Loosen the screw that holds deck baffle onto deck.

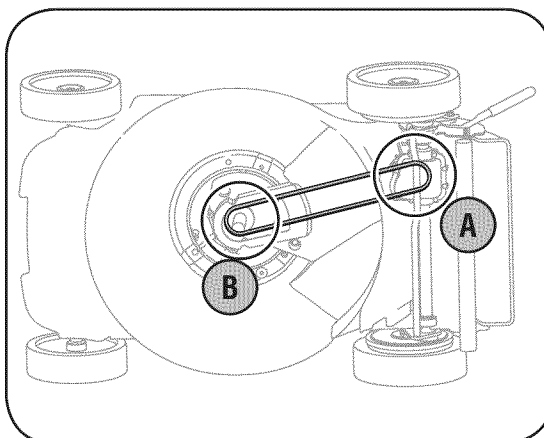


Figure 5-5: Remove belt from transmission and engine pulley.

6. a. Working from the rear of the mower, carefully remove belt from transmission pulley.
b. Once belt is off transmission pulley, push down on deck baffle to access engine pulley and slide belt off this pulley and out from under the deck. See Figure 5-5.

5

Maintaining Your Lawn Mower



WARNING

When removing the cutting blade for sharpening or replacement or when sliding the belt around it, protect your hands with a pair of heavy gloves or use a heavy rag to hold the blade.

An unbalanced blade will cause excessive vibration when rotating at high speeds. It may cause damage to mower and could break causing personal injury.

5

Maintaining Your Lawn Mower



WARNING

Batteries contain sulfuric acid which may cause burns. Do not short circuit or mutilate batteries in any way. Do not put batteries in fire as these may burst or release toxic materials.

Do not remove the battery pack from the electric starter housing for any reason other than replacement.



NOTE: Make certain that belt is seated correctly and that it is riding smoothly on the engine pulley and is not pinched between the lower and upper pulley halves.

7. Replace with new belt, working it between the deck and baffle, first around the transmission pulley and then the engine pulley.

NOTE: Make certain that belt is seated correctly and that it is riding smoothly on the engine pulley and is not pinched between the lower and upper pulley halves.

8. Tighten self-tapping screw securing deck baffle loosened earlier.
9. Replace engine baffle and secure with self tapping screws.
10. Replace blade, blade adapter, and associated hardware. Follow instructions in Blade Care section for proper assembly.
11. Tip mower back onto its wheels and remove piece of plastic from under gas cap (if applicable).

Replacing Battery (If Equipped)



WARNING: Batteries contain sulfuric acid which may cause burns. Do not short circuit or mutilate batteries in any way. Do not put batteries in fire as these may burst or release toxic materials.

1. Loosen round handle knobs securing upper and lower handles and carefully fold the upper handle down toward the lower handle as shown in Figure 5-6.
2. Remove the two screws securing battery cover to battery housing and place them to the side. See Figure 5-6.
3. Open battery cover, remove positive and negative leads from battery, remove and replace with new battery. See Figure 5-7. Connect the positive lead to the positive side of the battery pack, then connect the negative side.

NOTE: The battery you have may differ slightly from the one shown in Figure 5-7. Refer to the Parts List.

IMPORTANT: When replacing battery pack in handle panel, battery pack must be positioned with the positive terminal to the left side and the negative terminal to the right side of panel (Positive terminal is closest to the key switch), Figure 5-7. Replacing battery pack incorrectly will cause serious damage.

4. Reattach battery cover to battery housing by securing with the two screws removed earlier, making sure to snap the wire conduit on the left into place on the housing.
5. Fold handles back up and tighten handle knobs.



WARNING: Do not remove the battery pack from the electric starter housing for any reason other than replacement.

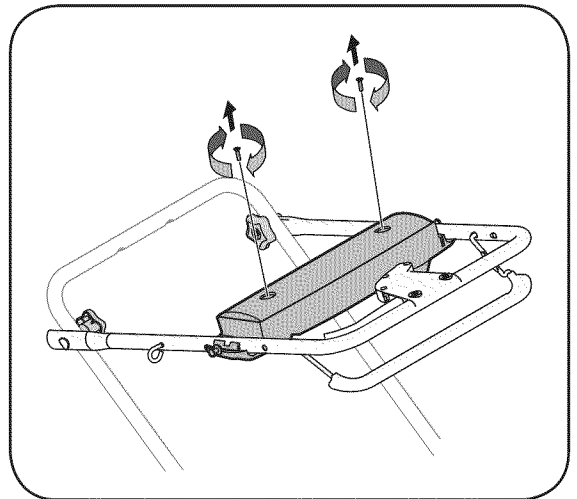


Figure 5-6: Fold down upper handle and remove two screws from back of housing.

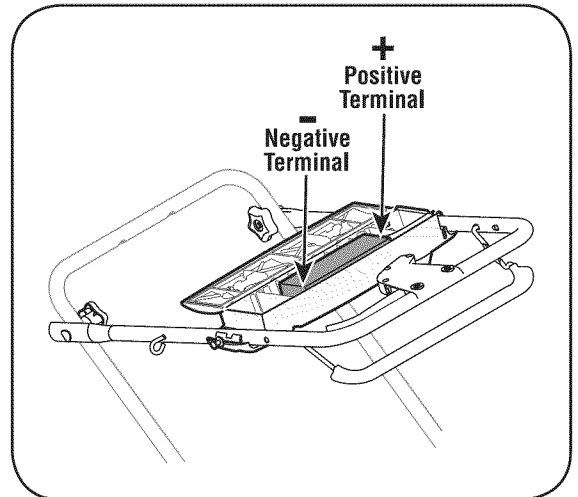


Figure 5-7: Open cover to view battery and wires.

Charging Battery (If Equipped)



WARNING: The battery contains corrosive fluid and toxic material; handle with care and keep away from children.

Do not puncture, disassemble, mutilate or incinerate the battery. Explosive gases could be vented during charging or discharging. Use in a well ventilated area, away from sources of ignition.

NOTE: The special designed plug on the charger will only fit into the plug on the battery box.



WARNING: Use only the battery charger supplied with this mower.

1. Plug the battery charger into the port on the underside of the battery housing, Figure 5-8.
2. Insert the battery charger plug into a standard 120 volt household outlet. See Figure 5-8. Charge battery for 8 to 10 hours before initial use. **Do not charge longer than 12 hours.** The battery should only need to be charged upon initial setup and after any other extended periods of non-use.

IMPORTANT: Always plug charger lead into battery pack lead first, and then insert battery charger plug into 120 volt standard household outlet. Follow this order of action every time you charge the battery.

3. After charging, disconnect charger plug from outlet first, then disconnect charger lead from battery.

Replacing Fuse (If Equipped)

The electric starter circuit and battery are protected by a 40 ampere fuse. If the fuse burns out, the electric starter will not operate. If the unit fails to start with the electric starter, perform the following steps to check the fuse inside the battery housing:

1. Open the battery cover as described in **Replacing Battery**. Refer to Figure 5-6.
2. Remove fuse from socket and inspect as shown in Figure 5-9. If it is burned out, replace with standard automotive 40 ampere fuse.
3. Carefully place wiring back into housing, close battery cover, and fold upper handle back into place.

NOTE: The engine can be started manually if the fuse burns out.

Off-Season Storage

The following steps should be taken to prepare your lawn mower for storage.

- Clean and lubricate mower thoroughly as described in the lubrication instructions.
- We do not recommend the use of a pressure washer or garden hose to clean your unit.

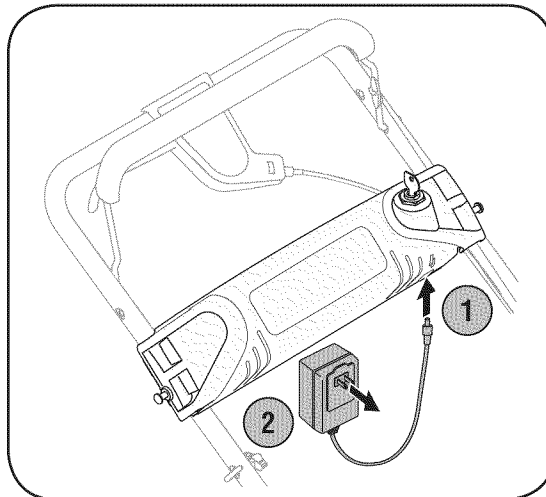


Figure 5-8: Plug charger into battery lead (1) and then plug charger pack into 120 volt standard household outlet (2).

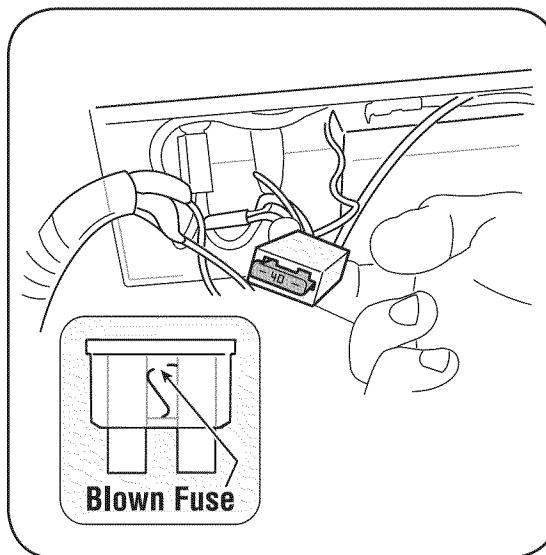


Figure 5-9: When replacing fuse, use a standard automotive 40 Amp fuse.

- Refer to engine manual for correct engine storage instructions.
- Coat mower's cutting blade with chassis grease to prevent rusting.
- Store mower in a dry, clean area. Do not store next to corrosive materials, such as fertilizer.

When storing any type of power equipment in a poorly ventilated or metal storage shed, care should be taken to rust-proof the equipment. Using a light oil or silicone, coat the equipment, especially cables and all moving parts of your lawn mower before storage.

Battery (If Equipped)

The battery must be stored with a full charge. Extended storage of a discharged battery will reduce life and capacity of the battery.

5

Maintaining Your Lawn Mower



WARNING

The battery contains corrosive fluid and toxic material; handle with care and keep away from children. Do not puncture, disassemble, mutilate or incinerate the battery. Explosive gases could be vented during charging or discharging. Use in a well ventilated area, away from sources of ignition.

Use only the battery charger supplied with this mower.



NOTE: The engine can be started manually if the fuse burns out.

6

Trouble Shooting



For repairs beyond the minor adjustments listed here, contact an authorized service dealer.

Problem	Cause	Remedy
Engine fails to start	<ol style="list-style-type: none"> 1. Blade control disengaged. 2. Spark plug wire disconnected. 3. Fuel tank empty or stale fuel. 4. Engine not primed (if equipped). 5. Faulty spark plug. 6. Blocked fuel line. 7. Engine flooded. 8. Burnt fuse. (Electric Start Only) 	<ol style="list-style-type: none"> 1. Engage blade control. 2. Connect wire to spark plug. 3. Fill tank with clean, fresh gasoline. 4. Prime engine as instructed in "Operating Your Lawn Mower". 5. Clean, adjust gap, or replace. 6. Clean fuel line. 7. Wait a few minutes to restart, but do not prime. 8. Replace fuse (see Maintenance section)
Engine runs erratic	<ol style="list-style-type: none"> 1. Spark plug wire loose. 2. Blocked fuel line or stale fuel. 3. Vent in gas cap plugged. 4. Water or dirt in fuel system. 5. Dirty air cleaner. 6. Carburetor out of adjustment. 	<ol style="list-style-type: none"> 1. Connect and tighten spark plug wire. 2. Clean fuel line; fill tank with clean, fresh gasoline. 3. Clear vent. 4. Drain fuel tank. Refill with fresh fuel. 5. Refer to engine manual. 6. Refer to engine manual.
Engine overheats	<ol style="list-style-type: none"> 1. Engine oil level low. 2. Air flow restricted. 3. Carburetor not adjusted properly. 	<ol style="list-style-type: none"> 1. Fill crankcase with proper oil. 2. Remove blower housing and clean. 3. Refer to engine manual.
Occasional skips (hesitates) at high speed	<ol style="list-style-type: none"> 1. Spark plug gap too close. 2. Carburetor idle mixture adjustment improperly set. 	<ol style="list-style-type: none"> 1. Adjust gap to .030". 2. Refer to engine manual.
Idles poorly	<ol style="list-style-type: none"> 1. Spark plug fouled, faulty or gap too wide. 2. Carburetor improperly adjusted. 3. Dirty air cleaner. 	<ol style="list-style-type: none"> 1. Reset gap to .030" or replace spark plug. 2. Refer to engine manual. 3. Refer to engine manual.
Excessive Vibration	<ol style="list-style-type: none"> 1. Cutting blade loose or unbalanced. 2. Bent cutting blade. 	<ol style="list-style-type: none"> 1. Tighten blade and adapter. Balance blade. 2. See an authorized service dealer.
Mower will not mulch grass	<ol style="list-style-type: none"> 1. Wet grass. 2. Excessively high grass. 3. Dull blade. 	<ol style="list-style-type: none"> 1. Do not mow when grass is wet; wait until later to cut. 2. Mow once at a high cutting height, then mow again at desired height or make a narrower cutting path. 3. Sharpen or replace blade.
Uneven cut	<ol style="list-style-type: none"> 1. Dull blade. 	<ol style="list-style-type: none"> 1. Sharpen or replace blade.
Mower will not self propel	<ol style="list-style-type: none"> 1. Belt not installed properly 2. Debris clogging drive operation. 3. Damaged or worn belt. 	<ol style="list-style-type: none"> 1. Check belt for proper pulley installation and movement. 2. Stop engine, disconnect spark plug wire, and clean out debris. 3. Inspect and replace belt.

Safety Labels Found On Your Lawn Mower

7

Safety Labels



WARNING

DO NOT remove safety (or any) labels from mower for any reason.

TO REDUCE THE RISK OF INJURY, DO NOT OPERATE UNLESS DISCHARGE COVER OR GRASS CATCHER IS IN ITS PROPER PLACE. IF DAMAGED, REPLACE IMMEDIATELY.

			
⚠ DANGER AVOID SERIOUS INJURY OR DEATH		MAX 15°	
<ul style="list-style-type: none">• KEEP HANDS AND FEET AWAY FROM ROTATING PARTS.• REMOVE OBJECTS THAT CAN BE THROWN BY THE BLADE IN ANY DIRECTION. WEAR SAFETY GLASSES.		<ul style="list-style-type: none">• DO NOT MOW WHEN CHILDREN OR OTHERS ARE AROUND.• USE EXTRA CAUTION ON SLOPES. DO NOT MOW SLOPES GREATER THAN 15° MOW ACROSS, NEVER UP AND DOWN. NEVER PULL MOWER CLOSE TO YOUR FEET. LOOK DOWN AND BEHIND BEFORE AND WHILE MOVING BACKWARDS.	
READ OPERATOR'S MANUAL KEEP SAFETY DEVICES (BLADE CONTROL, TRAILING SHIELD, DISCHARGE COVER, ETC) IN PLACE AND WORKING. IF DAMAGED, REPLACE IMMEDIATELY.			

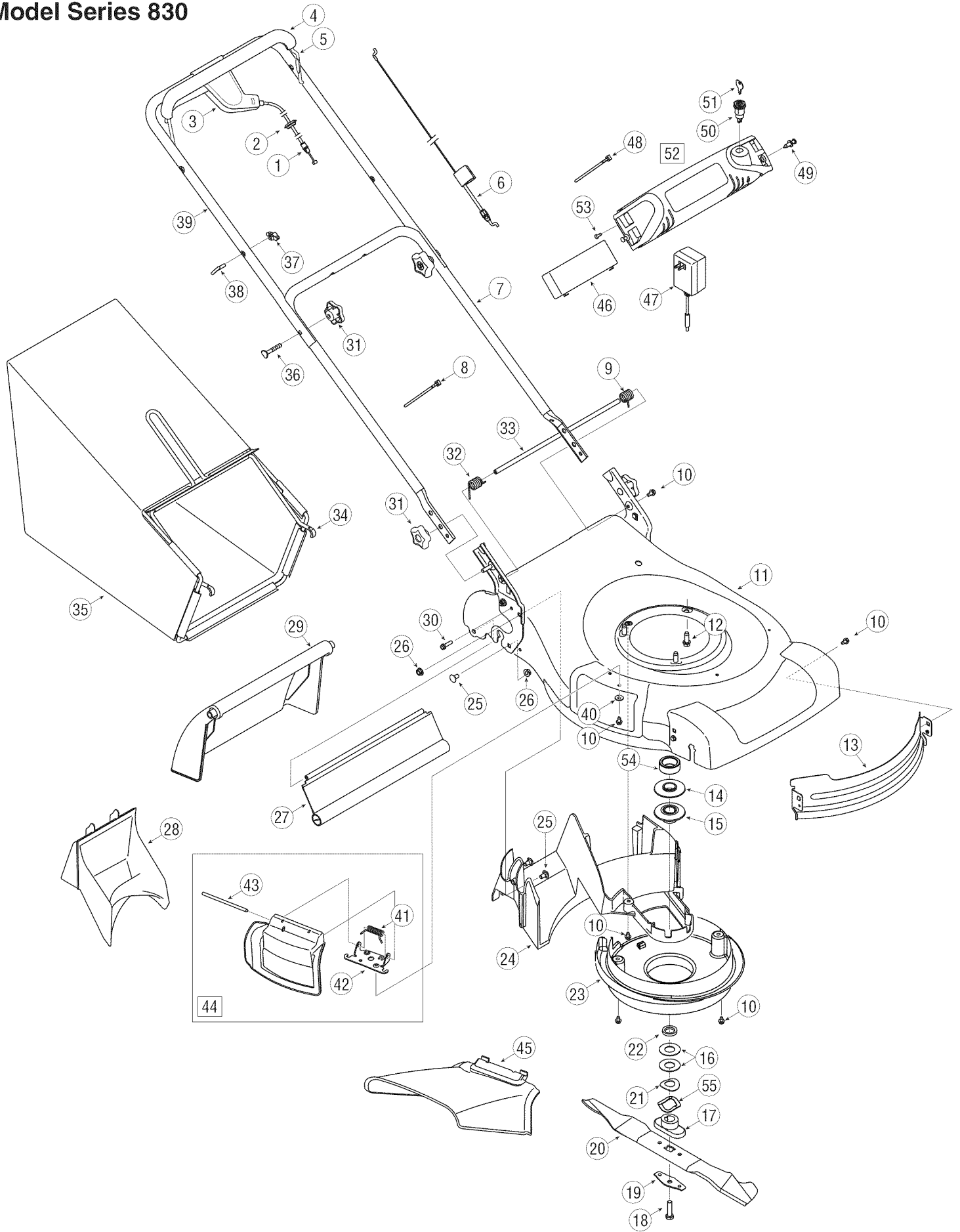
S32102 CD

DANGER

KEEP HANDS and FEET AWAY



Model Series 830



8

Parts List



To order replacement parts, contact
1-800-800-7310
 or visit
www.mtdproducts.com

Ref. No.	Part No.	Description
1	746-04265A	Drive Cable
2	735-04059	Rubber Grommet
3	753-05096A	Drive Control Assembly
4	731-04859*	Bail Cover
5	747-1161A	Blade Control
6	746-04213	Control Cable
7	749-04037	Lower Handle
8	725-0157	Cable Tie
9	732-04265	Torsion Spring, LH
10	710-0599	TT Screw, 1/4-20 x .500
11	787-01341A	21-inch Deck
12	710-0654A	TT Screw, 3/8-16 x 1.00
13	787-01346	Front Deck Baffle
14	756-04157B††	Upper Engine Pulley
	756-04273‡	Upper Engine Pulley
15	756-04156B††	Lower Engine Pulley
	756-04272‡	Lower Engine Pulley
16	736-0514††	Flat Wash., .885 x 1.850 x .060
17	748-0376C††	Blade Adapter
	748-04096‡	Blade Adapter
18	710-1044	Screw, 3/8-24 x 1.50
19	736-0524B	Blade Bell Support
20	742-0741	21" Mulching Blade
21	736-0513††	Sprg Washer, .890 x 1.70 x .048
22	750-1071††	Sleeve Spacer, .88 x 1.13 x .12
	750-04818‡	Slv. Spcr., 25mm x 1.375 x .375
23	731-05903	Engine Baffle
24	731-05463A	Deck Baffle
25	710-0260A	Carriage Bolt, 5/16-18 x .62
26	712-04063	Flange Lock Nut, 5/16-18
27	731-05462A	Trailshield

Ref. No.	Part No.	Description
28	731-05157	Mulch Plug
29	731-05017A	Rear Door
30	710-1241	Screw, 1/4-15 x 1.00
31	720-04072	Star Knob
32	732-04264	Torsion Spring, RH
33	711-04374	Door Pivot Rod
34	647-04051	Grass Catcher Frame
35	664-04052A	Grass Catcher - Gray
	664-04046A	Grass Catcher - Black
36	710-1174	Carriage Bolt, 5/16-18 x 2.00
37	720-0279	Wing Nut
38	710-1205	Eye Bolt
39	749-04209†	Upper Handle
	749-04206	Upper Handle
40	736-0270	Bell Washer, .265 x .75 x .062
41	732-1014	Torsion Spring
42	17032A	Chute Deflector Adapter
43	747-0710	Hinge Pin
44	687-02055	Mulch Plug Assembly
45	731-04177	Side Discharge Chute
46	725-04323†	12 Volt Battery
47	725-04329†	Battery Charger
48	726-0240†	Cable Tie
49	728-0199†	Rivet
50	725-04347†	Key Switch
51	725-0201†	Key
52	625-04029†	Electric Starter Harness Ass'y.
53	710-1667A†	Screw, #10-16 x .750
54	750-04825‡	Sleeve Spacer
55	736-0447‡	Washer, Wave, 1.5 x 1.0 x .029

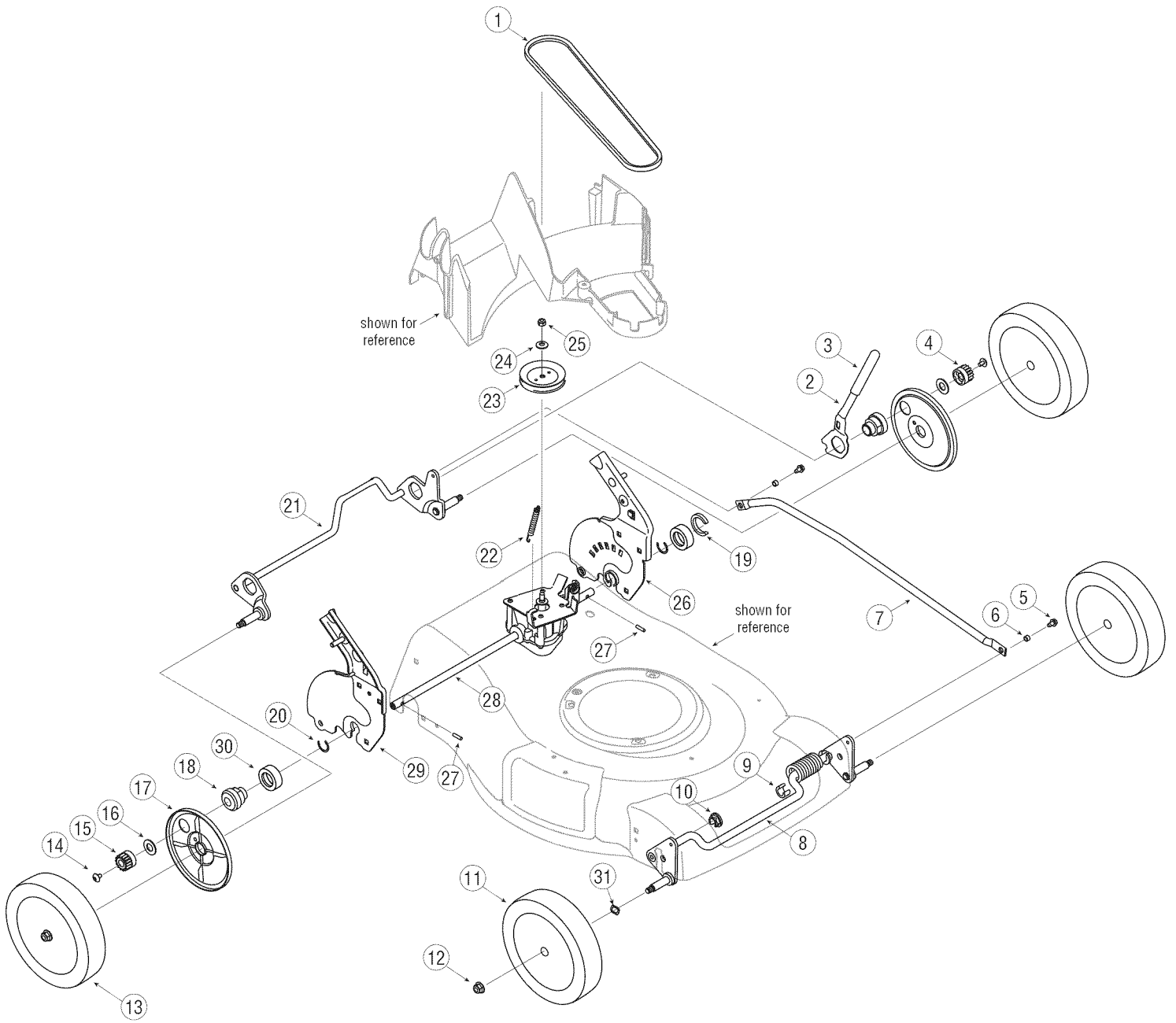
† Equipped with Electric Start Units

†† Equipped on Units with Briggs & Stratton Engine

‡ Equipped on Units with Honda Engine

* If Equipped

Model Series 830



Ref. No.	Part No.	Description
1	754-04093	V-Belt
2	732-04338	Spring Lever
3	720-0230	Foam Grip
4	717-04184A	Spur Gear, 14T - LH
5	710-0599	TT Screw, 1/4-20 x 0.50
6	750-04305A	Spacer
7	749-04267A	Cross Bracket
8	687-02204	Front Bracket Assembly
9	731-05470	Clip Spacer
10	741-04136B	Split Hex Flange Bearing
11	734-04033	Front Wheel
12	712-04065	Flange Lock Nut, 3/8-16
13	634-04207D	Rear Wheel
14	710-04531	Screw, 1/4-20 x .39
15	717-04192A	Spur Gear, 14T - RH
16	736-3084	Flat Washer
17	782-7551A	Wheel Dust Cover
18	748-04159	Transmission Bearing Support
19	750-04317	Clip Spacer
20	716-0198	Retaining Ring .875
21	687-02314	Rear Bracket Assembly
22	732-0320	Extension Spring
23	756-04151A	Pulley, 3.36 OD
24	736-0105	Bell Washer, .375 x .870 x .063
25	712-0411	Hex Lock Nut, 5/16-24
26	687-02205	Handle Bracket Assembly LH
27	715-0221	Dowel Pin
28	618-04378	Transmission Assembly
29	687-02206	Handle Bracket Assembly RH
30	748-0390	Bearing Support Spacer
31	736-0504	Washer, Wave, .510 x .750 x .017

8

Parts List



To order replacement parts, contact
1-800-800-7310
or visit
www.mtdproducts.com



IMPORTANT

For a proper working machine, use Factory Approved Parts.
V-BELTS are specially designed to engage and disengage safely. A substitute (non OEM) V-Belt can be dangerous by not disengaging completely.

MANUFACTURER'S LIMITED WARRANTY FOR



The limited warranty set forth below is given by MTD LLC with respect to new merchandise purchased and used in the United States, its possessions and territories.

"MTD" warrants this product against defects in material and workmanship for a period of two (2) years commencing on the date of original purchase and will, at its option, repair or replace, free of charge, any part found to be defective in materials or workmanship. This limited warranty shall only apply if this product has been operated and maintained in accordance with the Operator's Manual furnished with the product, and has not been subject to misuse, abuse, commercial use, neglect, accident, improper maintenance, alteration, vandalism, theft, fire, water, or damage because of other peril or natural disaster. Damage resulting from the installation or use of any part, accessory or attachment not approved by MTD for use with the product(s) covered by this manual will void your warranty as to any resulting damage.

Normal wear parts are warranted to be free from defects in material and workmanship for a period of thirty (30) days from the date of purchase. Normal wear parts include, but are not limited to items such as: batteries, belts, blades, blade adapters, grass bags, rider deck wheels, seats, snow thrower skid shoes, shave plates, auger spiral rubber and tires.

HOW TO OBTAIN SERVICE: Warranty service is available, WITH PROOF OF PURCHASE, through your local authorized service dealer. To locate the dealer in your area, check your Yellow Pages, or contact MTD LLC at P.O. Box 361131, Cleveland, Ohio 44136-0019, or call 1-800-800-7310 or 1-330-220-4683 or log on to our Web site at www.mtdproducts.com.

This limited warranty does **not** provide coverage in the following cases:

- a. The engine or component parts thereof. These items may carry a separate manufacturer's warranty. Refer to applicable manufacturer's warranty for terms and conditions.
- b. Log splitter pumps, valves, and cylinders have a separate one year warranty.
- c. Routine maintenance items such as lubricants, filters, blade sharpening, tune-ups, brake adjustments, clutch adjustments, deck adjustments, and normal deterioration of the exterior finish due to use or exposure.
- d. Service completed by someone other than an authorized service dealer.

e. MTD does not extend any warranty for products sold or exported outside of the United States, its possessions and territories, except those sold through MTD's authorized channels of export distribution.

f. Replacement parts that are not genuine MTD parts.

g. Transportation charges and service calls.

No implied warranty, including any implied warranty of merchantability of fitness for a particular purpose, applies after the applicable period of express written warranty above as to the parts as identified. No other express warranty, whether written or oral, except as mentioned above, given by any person or entity, including a dealer or retailer, with respect to any product, shall bind MTD. During the period of the warranty, the exclusive remedy is repair or replacement of the product as set forth above.

The provisions as set forth in this warranty provide the sole and exclusive remedy arising from the sale. MTD shall not be liable for incidental or consequential loss or damage including, without limitation, expenses incurred for substitute or replacement lawn care services or for rental expenses to temporarily replace a warranted product.

Some states do not allow the exclusion or limitation of incidental or consequential damages, or limitations on how long an implied warranty lasts, so the above exclusions or limitations may not apply to you.

In no event shall recovery of any kind be greater than the amount of the purchase price of the product sold. **Alteration of safety features of the product shall void this warranty.** You assume the risk and liability for loss, damage, or injury to you and your property and/or to others and their property arising out of the misuse or inability to use the product.

This limited warranty shall not extend to anyone other than the original purchaser or to the person for whom it was purchased as a gift.

HOW STATE LAW RELATES TO THIS WARRANTY: This limited warranty gives you specific legal rights, and you may also have other rights which vary from state to state.

IMPORTANT: Owner must present Original Proof of Purchase to obtain warranty coverage.