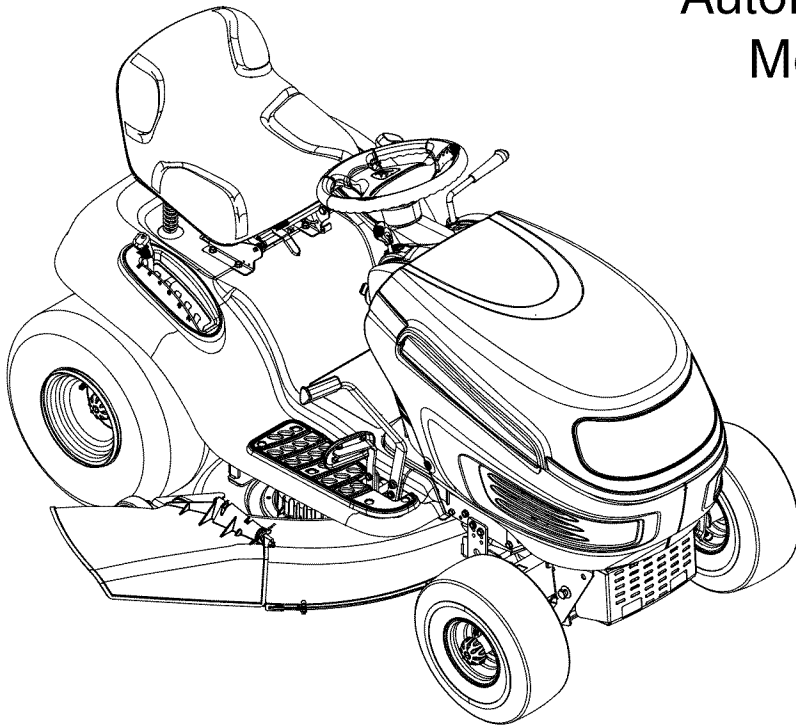


Operator's Manual

Automatic Lawn Tractor Model Series 606



IMPORTANT: READ SAFETY RULES AND INSTRUCTIONS CAREFULLY

Warning: This unit is equipped with an internal combustion engine and should not be used on or near any unimproved forest-covered, brush-covered or grass-covered land unless the engine's exhaust system is equipped with a spark arrester meeting applicable local or state laws (if any). If a spark arrester is used, it should be maintained in effective working order by the operator. In the State of California the above is required by law (Section 4442 of the California Public Resources Code). Other states may have similar laws. Federal laws apply on federal lands. A spark arrester for the muffler is available through your nearest engine authorized service dealer or contact the service department, P.O. Box 361131 Cleveland, Ohio 44136-0019.

MTD LLC, P.O. BOX 361131 CLEVELAND, OHIO 44136-0019

TABLE OF CONTENTS

Content	Page
Important Safe Operation Practices	3
Slope Gauge	7
Tractor Set-up	8
Know Your Lawn Tractor	9
Operating Your Lawn Tractor	13
Making Adjustments	17
Maintaining Your Lawn Tractor	19
Service.....	21
Off-Season Storage	25
Attachments & Accessories	25
Troubleshooting.....	26
Parts List.....	27

FINDING MODEL NUMBER

This Operator's Manual is an important part of your new lawn tractor. It will help you assemble, prepare and maintain the unit for best performance. Please read and understand what it says.



Before you start assembling your new equipment, please locate the model plate on the equipment and copy the information from it in the space provided below. The information on the model plate is very important if you need help from our Customer Support Department or an authorized dealer.

- You can locate the model number by looking beneath the seat. A sample model plate is explained below. For future reference, please copy the model number and the serial number of the equipment in the space below.



Copy the model number here: _____

Copy the serial number here: _____

ENGINE INFORMATION

The engine manufacturer is responsible for all engine-related issues with regards to performance, power-rating, specifications, warranty and service. Please refer to the engine manufacturer's Owner's/Operator's Manual packed separately with your unit for more information.

CALLING CUSTOMER SUPPORT

If you have difficulty assembling this product or have any questions regarding the controls, operation or maintenance of this unit, please call the Customer Support Department.



Call 1- (330) 220-4MTD (4683) or 1- (800) 800-7310 to reach a Customer Support representative. Please have your unit's model number and serial number ready when you call. See previous section to locate this information. You will be asked to enter the serial number in order to process your call .

For more details about your unit, visit our website at www.mtdproducts.com

SECTION 1: IMPORTANT SAFE OPERATION PRACTICES



WARNING: This symbol points out important safety instructions which, if not followed, could endanger the personal safety and/or property of yourself and others. Read and follow all instructions in this manual before attempting to operate this machine. Failure to comply with these instructions may result in personal injury. When you see this symbol—heed its warning.



DANGER: This machine was built to be operated according to the rules for safe operation in this manual. As with any type of power equipment, carelessness or error on the part of the operator can result in serious injury. This machine is capable of amputating hands and feet and throwing objects. Failure to observe the following safety instructions could result in serious injury or death.

California Proposition 65 Warning:



WARNING: Engine exhaust, some of its constituents, and certain vehicle components contain or emit chemicals known to the State of California to cause cancer and birth defects or other reproductive harm.

GENERAL OPERATION

1. Read, understand, and follow all instructions on the machine and in the manual(s) before attempting to assemble and operate. Keep this manual in a safe place for future and regular reference and for ordering replacement parts.
2. Be familiar with all controls and their proper operation. Know how to stop the machine and disengage them quickly.
3. Never allow children under 14 years old to operate this machine. Children 14 years old and over should read and understand the operation instructions and safety rules in this manual and should be trained and supervised by a parent.
4. Never allow adults to operate this machine without proper instruction.
5. To help avoid blade contact or a thrown object injury, keep bystanders, helpers, children and pets at least 75 feet from the machine while it is in operation. Stop machine if anyone enters the area.
6. Thoroughly inspect the area where the equipment is to be used. Remove all stones, sticks, wire, bones, toys, and other foreign objects which could be picked up and thrown by the blade(s). Thrown objects can cause serious personal injury.
7. Plan your mowing pattern to avoid discharge of material toward roads, sidewalks, bystanders and the like. Also, avoid discharging material against a wall or obstruction which may cause discharged material to ricochet back toward the operator.
8. Always wear safety glasses or safety goggles during operation and while performing an adjustment or repair to protect your eyes. Thrown objects which ricochet can cause serious injury to the eyes.
9. Wear sturdy, rough-soled work shoes and close-fitting slacks and shirts. Loose fitting clothes and jewelry can be caught in movable parts. Never operate this machine in bare feet or sandals.
10. Be aware of the mower and attachment discharge direction and do not point it at anyone. Do not operate the mower without the discharge cover or entire grass catcher in its proper place.
11. Do not put hands or feet near rotating parts or under the cutting deck. Contact with the blade(s) can amputate hands and feet.
12. A missing or damaged discharge cover can cause blade contact or thrown object injuries.
13. Stop the blade(s) when crossing gravel drives, walks, or roads and while not cutting grass.
14. Watch for traffic when operating near or crossing roadways. This machine is not intended for use on any public roadway.
15. Do not operate the machine while under the influence of alcohol or drugs.
16. Mow only in daylight or good artificial light.
17. Never carry passengers.
18. Disengage blade(s) before shifting into reverse. Back up slowly. Always look down and behind before and while backing to avoid a back-over accident.
19. Slow down before turning. Operate the machine smoothly. Avoid erratic operation and excessive speed.
20. Disengage blade(s), set parking brake, stop engine and wait until the blade(s) come to a complete stop before removing grass catcher, emptying grass, unclogging chute, removing any grass or debris, or making any adjustments.
21. Never leave a running machine unattended. Always turn off blade(s), place transmission in neutral, set parking brake, stop engine and remove key before dismounting.
22. Use extra care when loading or unloading the machine into a trailer or truck. This unit should not be driven up or down ramp(s), because the unit could tip over, causing serious personal injury. The unit must be pushed manually on ramp(s) to load or unload properly.

23. Muffler and engine become hot and can cause a burn. Do not touch.
24. Check overhead clearances carefully before driving under low hanging tree branches, wires, door openings etc., where the operator may be struck or pulled from the unit, which could result in serious injury.
25. Disengage all attachment clutches, depress the brake pedal completely and shift into neutral before attempting to start engine.
26. Your machine is designed to cut normal residential grass of a height no more than 10". Do not attempt to mow through unusually tall, dry grass (e.g., pasture) or piles of dry leaves. Dry grass or leaves may contact the engine exhaust and/or build up on the mower deck presenting a potential fire hazard.
27. Use only accessories and attachments approved for this machine by the machine manufacturer. Read, understand and follow all instructions provided with the approved accessory or attachment.
28. Data indicates that operators, age 60 years and above, are involved in a large percentage of riding mower-related injuries. These operators should evaluate their ability to operate the riding mower safely enough to protect themselves and others from serious injury.
29. If situations occur which are not covered in this manual, use care and good judgment. Contact an authorized MTD Service Dealer for assistance.

SLOPE OPERATION

Slopes are a major factor related to loss of control and tip-over accidents which can result in severe injury or death. All slopes require extra caution. If you cannot back up the slope or if you feel uneasy on it, do not mow it.

For your safety, use the slope gauge included as part of this manual to measure slopes before operating this unit on a sloped or hilly area. If the slope is greater than 15 degrees as shown on the slope gauge, do not operate this unit on that area or serious injury could result.

DO:

1. Mow up and down slopes, not across. Exercise extreme caution when changing direction on slopes.
 2. Watch for holes, ruts, bumps, rocks, or other hidden objects. Uneven terrain could overturn the machine. Tall grass can hide obstacles.
 3. Use slow speed. Choose a low enough speed setting so that you will not have to stop or shift while on the slope. Tires may lose traction on slopes even though the brakes are functioning properly. Always keep machine in gear when going down slopes to take advantage of engine braking action.
4. Follow the manufacturer's recommendations for wheel weights or counterweights to improve stability.
 5. Use extra care with grass catchers or other attachments. These can change the stability of the machine.
 6. Keep all movement on the slopes slow and gradual. Do not make sudden changes in speed or direction. Rapid engagement or braking could cause the front of the machine to lift and rapidly flip over backwards which could cause serious injury.
 7. Avoid starting or stopping on a slope. If tires lose traction, disengage the blade(s) and proceed slowly straight down the slope.

DO NOT:

1. Do not turn on slopes unless necessary; then, turn slowly and gradually downhill, if possible.
2. Do not mow near drop-offs, ditches or embankments. The mower could suddenly turn over if a wheel is over the edge of a cliff, ditch, or if an edge caves in.
3. Do not try to stabilize the machine by putting your foot on the ground.
4. Do not use a grass catcher on steep slopes.
5. Do not mow on wet grass. Reduced traction could cause sliding.
6. Do not shift to neutral and coast downhill. Over-speeding may cause the operator to lose control of the machine resulting in serious injury or death.
7. Do not tow heavy pull behind attachments (e.g. loaded dump cart, lawn roller, etc.) on slopes greater than 5 degrees. When going down hill, the extra weight tends to push the tractor and may cause you to lose control. (e.g. tractor may speed up, braking and steering ability are reduced, attachment may jack-knife and cause tractor to overturn).

CHILDREN

1. Tragic accidents can occur if the operator is not alert to the presence of children. Children are often attracted to the machine and the mowing activity. They do not understand the dangers. Never assume that children will remain where you last saw them.
 - a. Keep children out of the mowing area and in watchful care of a responsible adult other than the operator.
 - b. Be alert and turn machine off if a child enters the area.
 - c. Before and while backing, look behind and down for small children.
 - d. Never carry children, even with the blade(s) shut off. They may fall off and be seriously injured or interfere with safe machine operation.

- e. Use extreme care when approaching blind corners, doorways, shrubs, trees or other objects that may block your vision of a child who may run into the machine.
 - f. **To avoid back-over accidents, always disengage the cutting blade(s) before shifting into reverse. The “Reverse Caution Mode” should not be used when children or others are around.**
 - g. Keep children away from hot or running engines. They can suffer burns from a hot muffler.
 - h. Remove key when machine is unattended to prevent unauthorized operation.
9. Never allow children under 14 years old to operate the machine. Children 14 years old and over should read and understand the operation instructions and safety rules in this manual and should be trained and supervised by a parent.

TOWING

1. Tow only with a machine that has a hitch designed for towing. Do not attach towed equipment except at the hitch point.
2. Follow the manufacturers recommendation for weight limits for towed equipment and towing on slopes.
3. Never allow children or others in or on towed equipment.
4. On slopes, the weight of the towed equipment may cause loss of traction and loss of control.
5. Travel slowly and allow extra distance to stop.
6. Do not shift to neutral and coast downhill.

SERVICE

SAFE HANDLING OF GASOLINE:

1. **To avoid personal injury or property damage** use extreme care in handling gasoline. Gasoline is extremely flammable and the vapors are explosive. Serious personal injury can occur when gasoline is spilled on yourself or your clothes which can ignite. Wash your skin and change clothes immediately.
 - a. Use only an approved gasoline container.
 - b. Never fill containers inside a vehicle or on a truck or trailer bed with a plastic liner. Always place containers on the ground away from your vehicle before filling.
 - c. When practical, remove gas-powered equipment from the truck or trailer and refuel it on the ground. If this is not possible, then refuel such equipment on a trailer with a portable container, rather than from a gasoline dispenser nozzle.
 - d. Keep the nozzle in contact with the rim of the fuel tank or container opening at all times until fueling is complete. Do not use a nozzle lock-open device.

- e. Extinguish all cigarettes, cigars, pipes and other sources of ignition.
- f. Never fuel machine indoors.
- g. Never remove gas cap or add fuel while the engine is hot or running. Allow engine to cool at least two minutes before refueling.
- h. Never over fill fuel tank. Fill tank to no more than ½ inch below bottom of filler neck to allow space for fuel expansion.
- i. Replace gasoline cap and tighten securely.
- j. If gasoline is spilled, wipe it off the engine and equipment. Move unit to another area. Wait 5 minutes before starting the engine.
- k. To reduce fire hazards, keep machine free of grass, leaves, or other debris build-up. Clean up oil or fuel spillage and remove any fuel soaked debris.
- l. Never store the machine or fuel container inside where there is an open flame, spark or pilot light as on a water heater, space heater, furnace, clothes dryer or other gas appliances.
- m. Allow a machine to cool at least 5 minutes before storing.

GENERAL SERVICE:

1. Never run an engine indoors or in a poorly ventilated area. Engine exhaust contains carbon monoxide, an odorless, and deadly gas.
2. Before cleaning, repairing, or inspecting, make certain the blade(s) and all moving parts have stopped. Disconnect the spark plug wire and ground against the engine to prevent unintended starting.
3. Periodically check to make sure the blades come to complete stop within approximately (5) five seconds after operating the blade disengagement control. If the blades do not stop within the this time frame, your unit should be serviced professionally by an authorized MTD Service Dealer.
4. Check brake operation frequently as it is subjected to wear during normal operation. Adjust and service as required.
5. Check the blade(s) and engine mounting bolts at frequent intervals for proper tightness. Also, visually inspect blade(s) for damage (e.g., excessive wear, bent, cracked). Replace the blade(s) with the original equipment manufacturer’s (O.E.M.) blade(s) only, listed in this manual. “Use of parts which do not meet the original equipment specifications may lead to improper performance and compromise safety!”
6. Mower blades are sharp. Wrap the blade or wear gloves, and use extra caution when servicing them.
7. Keep all nuts, bolts, and screws tight to be sure the equipment is in safe working condition.

8. Never tamper with the safety interlock system or other safety devices. Check their proper operation regularly.
9. After striking a foreign object, stop the engine, disconnect the spark plug wire(s) and ground against the engine. Thoroughly inspect the machine for any damage. Repair the damage before starting and operating.
10. Never attempt to make adjustments or repairs to the machine while the engine is running.
11. Grass catcher components and the discharge cover are subject to wear and damage which could expose moving parts or allow objects to be thrown.

For safety protection, frequently check components and replace immediately with original equipment manufacturer's (O.E.M.) parts only, listed in this manual. "Use of parts which do not meet the original equipment specifications may lead to improper performance and compromise safety!"

12. Do not change the engine governor settings or over-speed the engine. The governor controls the maximum safe operating speed of the engine.
13. Maintain or replace safety and instruction labels, as necessary.
14. Observe proper disposal laws and regulations for gas, oil, etc. to protect the environment.



WARNING: YOUR RESPONSIBILITY Restrict the use of this power machine to persons who read, understand and follow the warnings and instructions in this manual and on the machine.



⚠ DANGER

ROTATING BLADES CAUSE
 SERIOUS INJURY OR DEATH

- DO NOT MOW WHEN CHILDREN OR OTHERS ARE AROUND
- NEVER CARRY CHILDREN EVEN WITH BLADE(S) OFF.
- LOOK DOWN AND BEHIND BEFORE AND WHILE BACKING.
- MOWING IN REVERSE IS NOT RECOMMENDED.

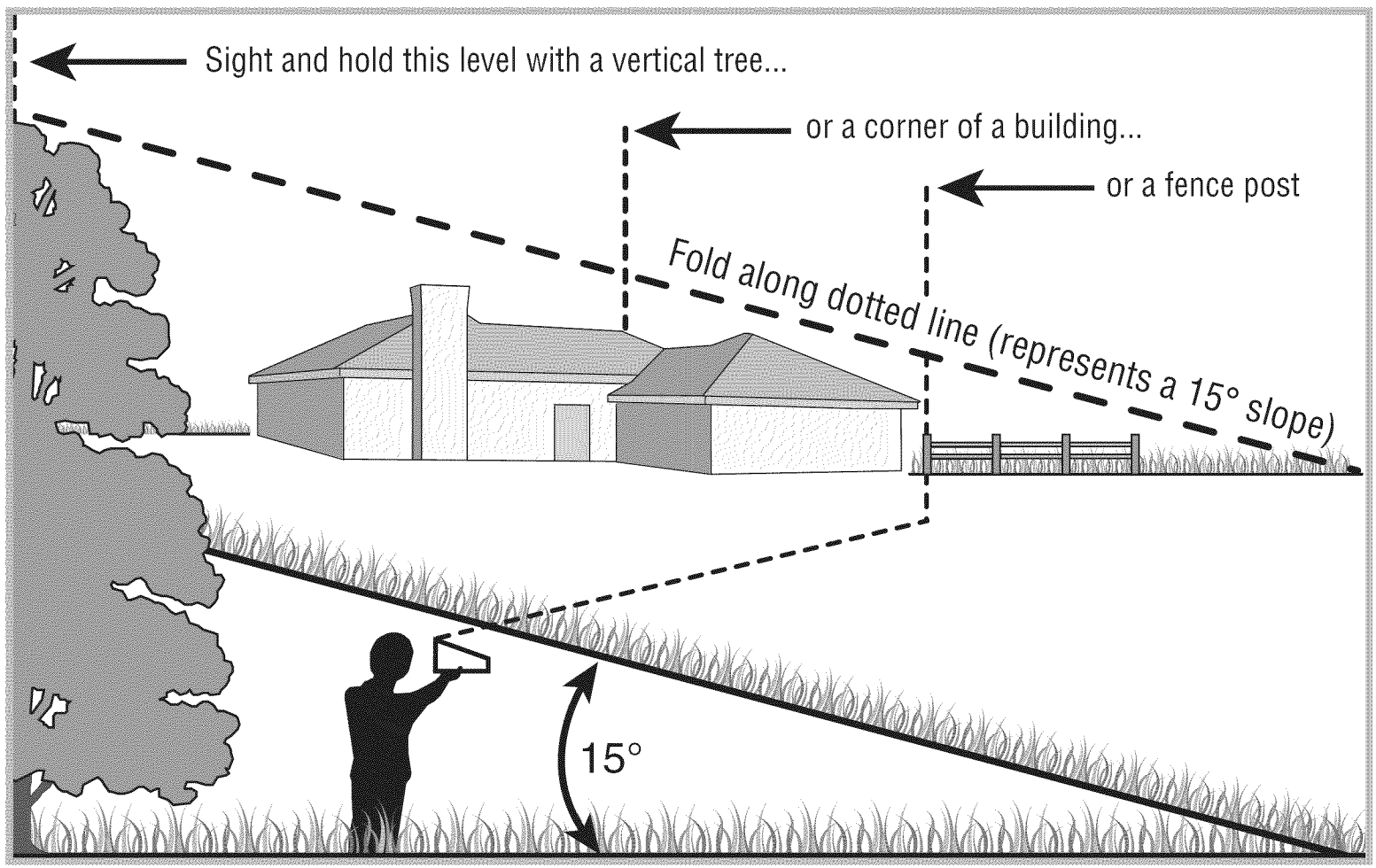
⚠ WARNING

TO AVOID SERIOUS INJURY OR DEATH

- GO UP AND DOWN SLOPES, NOT ACROSS.
- AVOID SUDDEN TURNS.
- DO NOT OPERATE THE UNIT WHERE IT COULD SLIP OR TIP.
- IF MACHINE STOPS GOING UPHILL, STOP BLADE(S) AND BACK DOWNHILL SLOWLY.
- KEEP SAFETY DEVICES (GUARDS, SHIELDS, AND SWITCHES, ETC.) IN PLACE AND WORKING.
- REMOVE OBJECTS THAT COULD BE THROWN BY THE BLADE(S).
- KNOW LOCATION AND FUNCTION OF ALL CONTROLS.
- BE SURE BLADE(S) AND ENGINE ARE STOPPED BEFORE PLACING HANDS OR FEET NEAR BLADE(S).
- BEFORE LEAVING OPERATOR'S POSITION, DISENGAGE BLADE(S), ENGAGE PARKING BRAKE, SHUT OFF AND REMOVE KEY.

READ OPERATOR'S MANUAL

SECTION 2: SLOPE GAUGE



SECTION 3: TRACTOR SET-UP

Attaching the Battery Cables

NOTE: The positive battery terminal is marked Pos. (+). The negative battery terminal is marked Neg. (-).

- The positive cable (heavy red wire) is secured to the positive battery terminal (+) with a hex bolt and hex nut at the factory. Make certain that the rubber boot covers the terminal to help protect it from corrosion.
- Remove the hex bolt and wing nut from the negative cable.
- Remove the black plastic cover, if present, from the negative battery terminal and attach the negative cable (heavy black wire) to the negative battery terminal (-) with the bolt and wing nut.
- Make certain the hold-down strap is in position over the battery, securing it in place. See Figure 1.

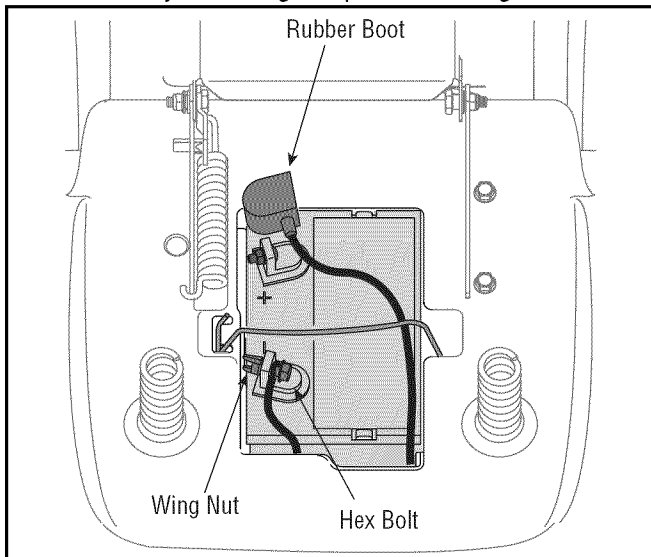


Figure 1

NOTE: If the battery is put into service after the date shown on top of battery, charge the battery as instructed on page 21 of this manual prior to operating the tractor.

Gas and Oil Fill-up

The gasoline tank is located under the hood and has a capacity of either two or three gallons. Do not overfill.



WARNING: Use extreme care when handling gasoline. Gasoline is extremely flammable and the vapors are explosive. Never fuel machine indoors or while the engine is hot or running. Extinguish cigarettes, cigars, pipes, and other sources of ignition.

Service the engine with gasoline and oil as instructed in the separate *Briggs & Stratton Operator/Owner Manual* packed with your tractor. Read instructions carefully.

IMPORTANT: Your tractor is shipped with motor oil in the engine. However, you **MUST** check the oil level before operating. Be careful not to overfill.

Shipping Brace Removal



WARNING: Make sure the riding mower's engine is off, remove the ignition key, and set the parking brake before removing the shipping brace.

- Locate the shipping brace, if present, and accompanying warning tag found on the right side of the mower, between the discharge chute and the cutting deck. See Figure 2.

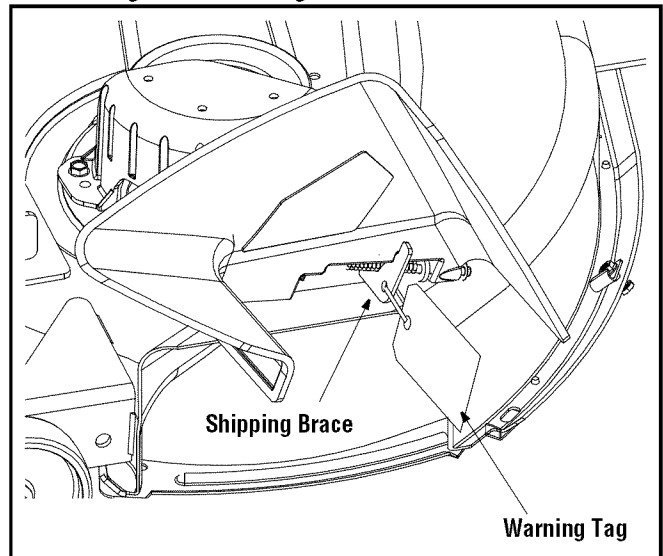


Figure 2

- While holding the discharge chute with your left hand, remove the shipping brace with your right hand by grasping it between your thumb and index finger and rotating it clockwise.



WARNING: The shipping brace, used for packaging purposes only, must be removed and discarded before operating your riding mower.



WARNING: The mowing deck is capable of throwing objects. Failure to operate the riding mower without the discharge cover in the proper operating position could result in serious personal injury and/or property damage.

SECTION 4: KNOW YOUR LAWN TRACTOR

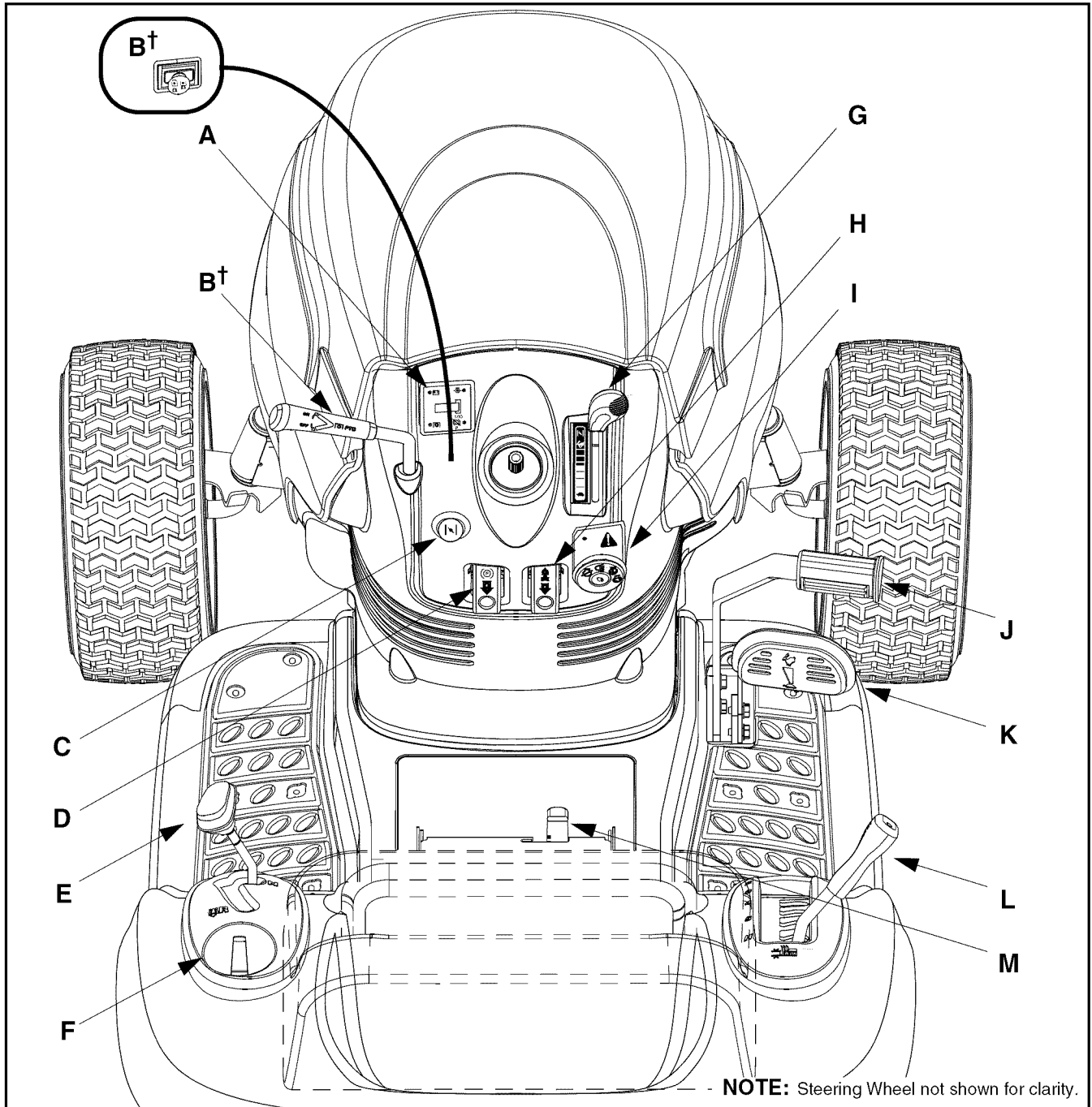


Figure 3

† If so equipped

- | | |
|---|---------------------------------|
| A Systems Indicator Monitor/Hour Meter | G Throttle Lever |
| B PTO (Blade Engage) Lever† | H Cruise Control Button |
| PTO (Blade Engage) Knob† | I Ignition Switch Module |
| C Choke Knob† | J Brake Pedal |
| D Parking Brake Button | K Drive Pedal |
| E Shift Lever | L Deck Lift Lever |
| F Cup Holder | M Seat Adjustment Lever |

NOTE: Any reference in this manual to the RIGHT or LEFT side of the tractor is observed from operator's position.

Throttle Control Lever

The throttle control lever is located on the right side of the tractor's dash panel. This lever controls the speed of the engine and, on some models, when pushed all the way forward, the choke control also. When set in a given position, the throttle will maintain a uniform engine speed. See Figure 4.

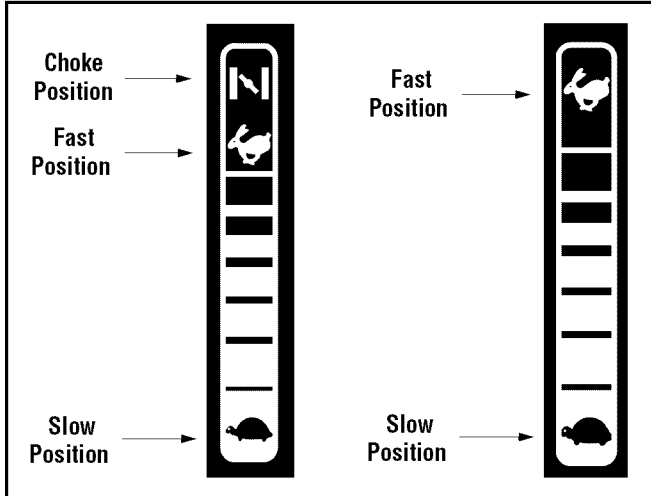
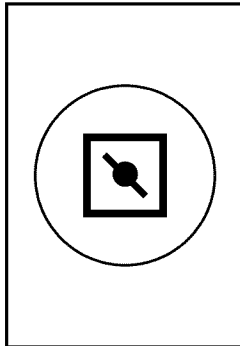


Figure 4

IMPORTANT: When operating the tractor with the cutting deck engaged, be certain that the throttle lever is **always** in the FAST (rabbit) position.

Choke Control

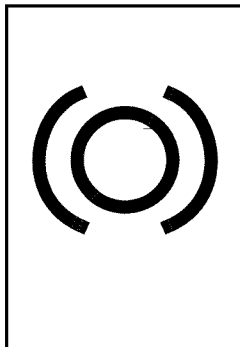
On some models, moving the throttle lever all the way forward activates the engine's choke control. On all other models, the choke control can be found on the left side of the dash panel and is activated by pulling the knob outward. Activating the choke control closes the choke plate on the carburetor and aids in starting the engine. Refer to **Starting The Engine** on page 14 of this manual for detailed starting instructions.



Brake Pedal

The brake pedal is located on the right front side of the tractor above the drive pedal along the running board. The brake pedal can be used for sudden stops or setting the parking brake.

NOTE: *The brake pedal must be fully depressed to activate the safety interlock switch when starting the tractor.*



Ignition Switch Module



WARNING: Never leave a running machine unattended. Always disengage PTO, move shift lever into neutral position, set parking brake, stop engine and remove key to prevent unintended starting.

To start the engine, insert the key into the ignition switch and turn clockwise to the **START** position. Release the key into the **NORMAL MOWING MODE** position once the engine has fired.

To stop the engine, turn the ignition key counterclockwise to the OFF position. See Figure 5.

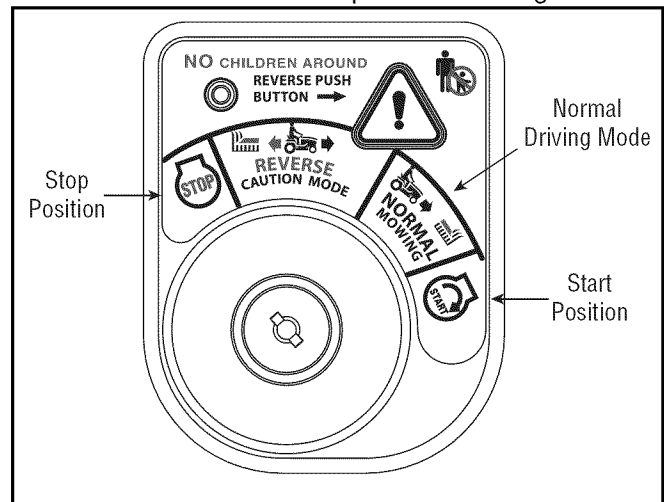


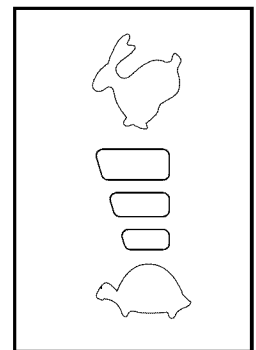
Figure 5

IMPORTANT: Prior to operating the tractor, refer to both **Safety Interlock Switches** on page 13 and **Starting The Engine** on page 14 of this manual for detailed instructions regarding the Ignition Switch Module and operating the tractor in **REVERSE CAUTION MODE**.

Drive Pedal

The drive pedal is located below the brake pedal on the right front side of the tractor along the running board. Depress the drive pedal with your right foot when the tractor shift lever is in either FORWARD or REVERSE to cause the tractor to move. Ground speed is also controlled with the drive pedal. The further down the pedal is depressed, the faster the tractor will travel. The pedal will return to its original position when it's not depressed.

IMPORTANT: Always set the parking brake when leaving the tractor unattended.



Systems Indicator Monitor

Your tractor is equipped with an hour meter as part of its systems indicator monitor. Locate the monitor on the left side of your dash panel and compare it to Figure 6.

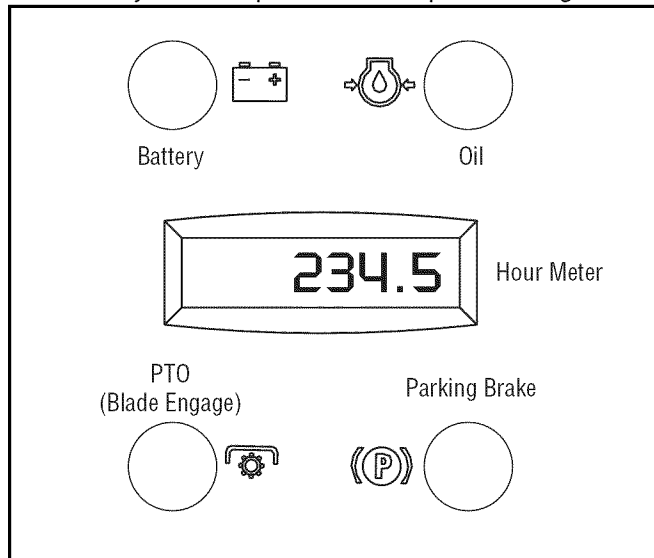


Figure 6

If the Brake light or PTO light illuminates when attempting to start the unit, proceed as follows:

- BRAKE** — Depress the brake pedal.
- PTO** — Move PTO (Blade Engage) lever, or PTO (Blade Engage) knob into the disengaged (OFF) position.

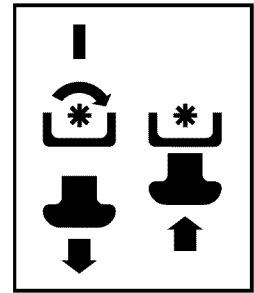
NOTE: It is normal for the Oil light and the Battery light to illuminate while the engine is **cranking**, but if either illuminate's **while the engine is running**, proceed as follows:

- OIL**— Stop the tractor immediately and check the crankcase oil level as instructed in the Briggs & Stratton Operator/Owner Manual included with your tractor.
- BATTERY**— The battery is in need of a charge, or the engine's charging system is not generating sufficient amperage. Refer to the **MAINTENANCE** section of this manual for the proper battery charging procedure or have the charging system checked by a Briggs & Stratton engine's dealer.

The **hour meter** operates whenever the engine is running and records the actual hours of tractor operation.

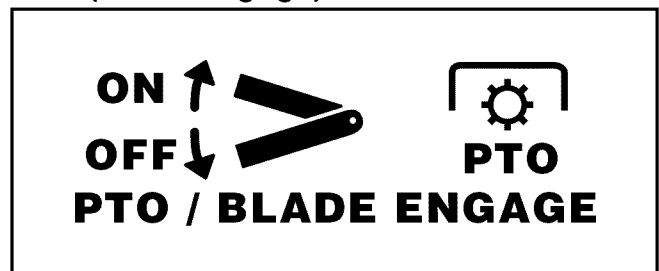
Electric PTO (Blade Engage) Knob

To engage the power to the cutting deck or other (separately available) attachments on models equipped with an electric PTO (Blade Engage) knob, pull outward on the PTO (Blade Engage) knob. Push the PTO (Blade Engage) knob inward to disengage the power to the cutting deck.



NOTE: The PTO (Blade Engage) knob **must** be in the disengaged (OFF) position when starting the engine, when traveling in reverse and if the operator leaves the seat.

PTO (Blade Engage) Lever



On models equipped with a manual PTO (Blade Engage), the PTO (Blade Engage) lever is located on the left side of the dashboard next to the steering wheel. Move the PTO (Blade Engage) lever forward to engage the power to the cutting deck or other (separately available) attachments; move the PTO (Blade Engage) lever rearward to disengage the power to the attachments.

NOTE: The PTO (Blade Engage) lever **must** be in the disengaged (OFF) position when starting the engine, when traveling in reverse and if the operator leaves the seat.

Seat Adjustment Lever

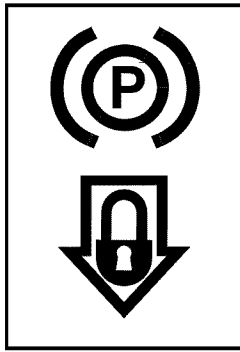
To adjust the seat forward or backward on units equipped with a quick-adjust seat, slide the seat adjustment lever to the left and reposition the seat to the desired position. Once a comfortable position is found, release the seat adjustment lever to lock the seat in place. Refer to **Seat Adjustment** on page 18 of this manual for more detailed instructions.

Deck Lift Lever

Found on your tractor's right fender, the deck lift lever is used to change the height of the cutting deck. To use, move the lever to the left, then place in the notch best suited for your application.

Parking Brake Button

To set the parking brake, fully depress the brake pedal and push the parking brake button in. Hold the button in while taking your foot off the brake pedal. Both the parking button and the brake pedal will then stay depressed. To release the parking brake, depress the brake pedal slightly. The parking brake button will then return to its original position.

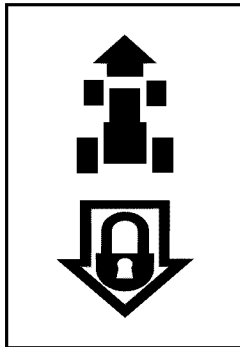


NOTE: *The parking brake must be set if the operator leaves the seat with the engine running or the engine will automatically shut off.*

IMPORTANT: Always set the parking brake when leaving the tractor unattended.

Cruise Control Button

The cruise control button is located on the tractor dash panel to the left of the ignition switch. Push the cruise control button while traveling forward at a desired speed. While holding the button in, release pressure from the drive pedal. This will engage the cruise control and allow the tractor to remain at that speed without applying pressure to the drive pedal. Depress the brake pedal or the drive pedal to deactivate cruise control. Refer to **Setting the Cruise Control** on page 15 this manual for detailed instructions regarding the cruise control feature.



NOTE: *Cruise control can NOT be engaged at the tractor's fastest ground speed. If the operator should attempt to do so, the tractor will automatically decelerate to the fastest optimal mowing ground speed.*

Shift Lever

The shift lever is located on the left side of the fender and has three positions, FORWARD, NEUTRAL and REVERSE. The brake pedal must be depressed and the tractor must not be in motion when the moving shift lever. See Figure 7.

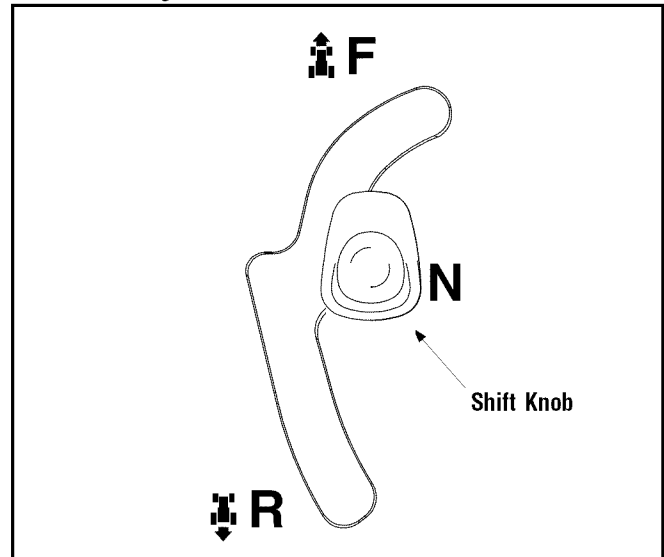


Figure 7

IMPORTANT: Never force the shift lever. Doing so may result in serious damage to the tractor's transmission.

SECTION 5: OPERATING YOUR LAWN TRACTOR

Safety Interlock Switches

This tractor is equipped with a safety interlock system for the protection of the operator. If the interlock system should ever malfunction, do not operate the tractor. Contact an authorized *MTD* service dealer.

- The safety interlock system prevents the engine from cranking or starting unless the parking brake is engaged, and the PTO (Blade Engage) knob (or lever) is in the disengaged (OFF) position.
- The engine will automatically shut off if the operator leaves the seat before engaging the parking brake.

Models with Manual PTO (Blade Engage)

- The engine will automatically shut off if the operator leaves the tractor's seat with the PTO (Blade Engage) lever in the engaged (ON) position, regardless of whether the parking brake is engaged.
- The engine will automatically shut off if the operator engages the the PTO with the parking brake ON.
- With the ignition key in the **NORMAL MOWING** position, the engine will automatically shut off if the PTO (Blade Engage) lever is moved into the engaged (ON) position with the shift lever in Reverse.

Models with Electric PTO (Blade Engage)

- The electric PTO (Blade Engage) clutch will automatically shut off if the operator leaves the tractor's seat with the PTO (Blade Engage) knob in the engaged (ON) position, regardless of whether the parking brake is engaged.
- With the ignition key in the **NORMAL MOWING** position, the electric PTO (Blade Engage) clutch will automatically shut off if the PTO (Blade Engage) knob is moved into the engaged (ON) position with the shift lever in Reverse.



WARNING: Do not operate the tractor if the interlock system is malfunctioning. This system was designed for your safety and protection.

Reverse Caution Mode



WARNING: Use extreme caution while operating the tractor in the **REVERSE CAUTION MODE**. Always look down and behind before and while backing. Do not operate the tractor when children or others are around. Stop the tractor immediately if someone enters the area.

The **REVERSE CAUTION MODE** position of the key switch module allows the tractor to be operated in reverse with the blades (PTO) engaged.

IMPORTANT: *Mowing in reverse is not recommended.*

To use the **REVERSE CAUTION MODE**:

IMPORTANT: *The operator MUST be seated in the tractor seat.*

1. Start the engine as previously instructed in this Operator's Manual.
2. Turn the key from the **NORMAL MOWING** (Green) position to the **REVERSE CAUTION MODE** (Yellow) position of the key switch module. See Figure 8.
3. Depress the **REVERSE PUSH BUTTON** (Orange, Triangular Button) at the top, right corner of the key switch module. The red indicator light at the top, left corner of the key switch module will be **ON** while activated. See Figure 8.
4. Once activated (indicator light **ON**), the tractor can be driven in reverse with the cutting blades (PTO) engaged.
5. Always look down and behind before and while backing to make sure no children are around.
6. After resuming forward motion, return the key to the **NORMAL MOWING** position.

IMPORTANT: The **REVERSE CAUTION MODE** will remain activated until:

- a. The key is placed in either the **NORMAL MOWING** position or **STOP** position.
- b. The operator leaves the seat (Models with Electric PTO ONLY).
- c. The operator engages the parking brake by fully depressing the brake pedal and holding it down while gently pushing the parking brake button inward (Models with Manual PTO ONLY).

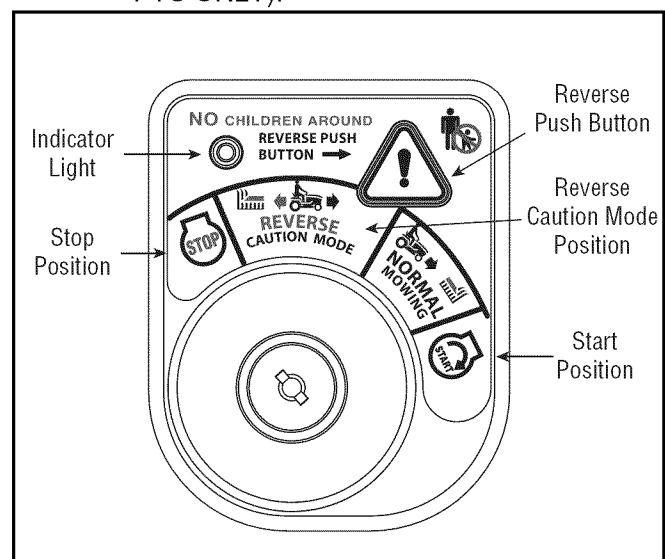


Figure 8



WARNING

AVOID SERIOUS INJURY OR DEATH

- GO UP AND DOWN SLOPES, NOT ACROSS.
- AVOID SUDDEN TURNS.
- DO NOT OPERATE THE UNIT WHERE IT COULD SLIP OR TIP.
- IF MACHINE STOPS GOING UPHILL, STOP BLADE(S) AND BACK DOWNHILL SLOWLY.
- DO NOT MOW WHEN CHILDREN OR OTHERS ARE AROUND.
- NEVER CARRY CHILDREN, EVEN WITH BLADES OFF.
- LOOK DOWN AND BEHIND BEFORE AND WHILE BACKING.
- KEEP SAFETY DEVICES (GUARDS, SHIELDS, AND SWITCHES) IN PLACE AND WORKING.
- REMOVE OBJECTS THAT COULD BE THROWN BY THE BLADE(S).
- KNOW LOCATION AND FUNCTION OF ALL CONTROLS.
- BE SURE BLADE(S) AND ENGINE ARE STOPPED BEFORE PLACING HANDS OR FEET NEAR BLADE(S).
- BEFORE LEAVING OPERATOR'S POSITION, DISENGAGE BLADE(S), PLACE THE SHIFT LEVER IN NEUTRAL, ENGAGE BRAKE LOCK, SHUT ENGINE OFF AND REMOVE KEY.

READ OPERATOR'S MANUAL

Engaging the Parking Brake

To engage the parking brake:

- Fully depress the brake pedal and hold it down with your foot while gently pushing the parking brake button inward.
- Hold the parking brake button in while removing your foot from the brake pedal.
- Once engaged, the parking brake button and the brake pedal will lock in the "down" position.

To disengage the parking brake:

- Slightly depress the brake pedal.

NOTE: *The parking brake must be engaged if the operator leaves the seat with the engine running or the engine will automatically shut off.*

Setting the Cutting Height

Select the height position of the cutting deck by placing the deck lift lever in any of the six different cutting height notches on the right side of the fender. Then adjust the deck wheels so that they are between ¼-inch and ½-inch above the ground when the tractor is on a smooth, flat surface such as a driveway.



WARNING: Keep hands and feet away from the discharge opening of the cutting deck.

NOTE: *The deck wheels are an anti-scalp feature of the deck and are not designed to support the weight of the cutting deck.*

Refer to **Leveling the Deck** on page 17 of this manual for more detailed instructions regarding various deck adjustments.

Starting the Engine



WARNING: Do not operate the tractor if the interlock system is malfunctioning. This system was designed for your safety and protection.

NOTE: *Refer to the **TRACTOR SET-UP** on page 8 of this manual for Gasoline and Oil fill-up instructions.*

- Insert the tractor key into the ignition switch.
- Place the PTO (Blade Engage) knob (or lever) in the disengaged (OFF) position.
- Engage the tractor's parking brake.
- Activate the choke control.
- Turn the ignition key clockwise to the START position. After the engine starts, release the key. It will return to the ON position.

IMPORTANT: Do NOT hold the key in the START position for longer than ten seconds at a time. Doing so may cause damage to your engine's electric starter.

- After the engine starts, deactivate the choke control and place the throttle control in the FAST position.

NOTE: *Do NOT leave the choke control on while operating the tractor. Doing so will result in a "rich" fuel mixture and cause the engine to run poorly.*

Stopping the Engine



WARNING: If you strike a foreign object, stop the engine, disconnect the spark plug wire(s) and ground against the engine. Thoroughly inspect the machine for any damage. Repair the damage before restarting and operating

- If the blades are engaged, place the PTO (Blade Engage) knob (or lever) in the disengaged (OFF) position.
- Turn the ignition key counterclockwise to the OFF position.
- Remove the key from the ignition switch to prevent unintended starting.

Driving The Tractor



WARNING: Avoid sudden starts, excessive speed and sudden stops.



WARNING: Do not leave the seat of the tractor without first placing the PTO (Blade Engage) knob (or lever) in the disengaged (OFF) position, depressing the brake pedal and engaging the parking brake. If leaving the tractor unattended, also turn the ignition key off and remove the key.

- Depress the brake pedal to release the parking brake and let the pedal up.
- Move the throttle lever into the FAST (rabbit) position.

IMPORTANT: Do NOT use the shift lever to change the direction of travel when the tractor is in motion. Always use the brake pedal to bring the tractor to a complete stop before shifting.

- To move forward, place the shift lever in the FORWARD position, then slowly depress the drive pedal until the desired speed is achieved.
- To move in reverse, place the shift lever in the REVERSE position, check that the area behind is clear then slowly depress the drive pedal.

Driving On Slopes

Refer to the **SLOPE GAUGE** on page 7 to help determine slopes where you may operate the tractor safely.



WARNING: Do not mow on inclines with a slope in excess of 15 degrees (a rise of approximately 2-1/2 feet every 10 feet). The tractor could overturn and cause serious injury.

- Mow up and down slopes, NEVER across.
- Exercise extreme caution when changing direction on slopes.
- Watch for holes, ruts, bumps, rocks, or other hidden objects. Uneven terrain could overturn the machine. Tall grass can hide obstacles.
- Avoid turns when driving on a slope. If a turn must be made, turn down the slope. Turning up a slope greatly increases the chance of a roll over.
- Avoid stopping when driving up a slope. If it is necessary to stop while driving up a slope, start up smoothly and carefully to reduce the possibility of flipping the tractor over backward.

Setting The Cruise Control

- Place the shift lever in the FORWARD position, then slowly depress the drive pedal until the desired speed is achieved.
- Lightly depress the cruise control button.
- While continuing to hold the cruise button in, lift your foot from the drive pedal (you should feel the cruise latch engage).
- Once engaged, the cruise control button and the drive pedal will lock in the “down” position, and the tractor will maintain the same forward speed.

NOTE: Cruise control can not be engaged at the tractor's fastest ground speed. If the operator should attempt to do so, the tractor will automatically decelerate to the fastest optimal mowing ground speed.

Disengage the cruise control using one of the following methods:

- Depress the brake pedal to disengage the cruise control and stop the tractor.
- Lightly depress the drive pedal.

To change to the reverse direction when operating with cruise control, depress the brake pedal to disengage the cruise control and bring the tractor to a complete stop. Then place the shift lever in the REVERSE position and depress the drive pedal.

Engaging the Blades

Engaging the PTO (Blade Engage) transfers power to the cutting deck or other (separately available) attachments. To engage the blades, proceed as follows:

- Move the throttle control lever to the FAST (rabbit) position.

Models with Manual PTO

- Grasp the PTO (Blade Engage) lever and pivot it all the way forward into the engaged (ON) position.

Models with Electric PTO

- Pull the PTO (Blade Engage) knob outward into the engaged (ON) position. See Figure 9.

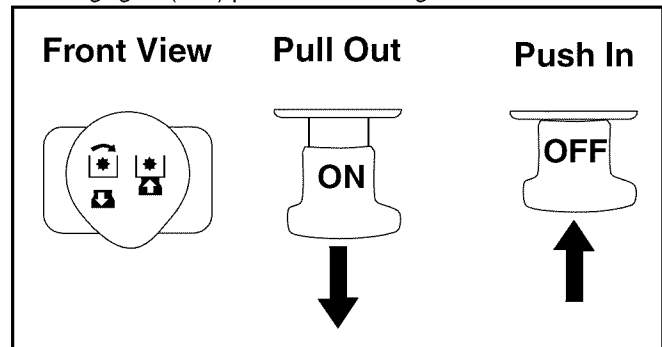


Figure 9

- Keep the throttle lever in the FAST (rabbit) position for the most efficient use of the cutting deck or other (separately available) attachments

IMPORTANT: The engine (on models with a manual PTO) or electric PTO clutch (on models with an electric PTO) will automatically shut off if the PTO is engaged with the shift lever in position for reverse travel with the ignition key in the **NORMAL MOWING** position. Refer to **Safety Interlock Switches** on page 13.

Using the Deck Lift Lever

To raise the cutting deck, move the deck lift lever to the left, then place it in the notch best suited for your application. Refer to **Setting The Cutting Height** earlier in this section.

Mowing



WARNING: To help avoid blade contact or a thrown object injury, keep bystanders, helpers, children and pets at least 75 feet from the machine while it is in operation. Stop machine if anyone enters the area.

The following information will be helpful when using the cutting deck with your tractor.



WARNING: Plan your mowing pattern to avoid discharge of materials toward roads, sidewalks, bystanders and the like. Also, avoid discharging material against a wall or obstruction which may cause discharged material to ricochet back toward the operator.

- Do not mow at high ground speed, especially if a mulch kit or grass collector is installed.
- For best results it is recommended that the first two laps be cut with the discharge thrown towards the center. After the first two laps, reverse the direction to throw the discharge to the outside for the

balance of cutting. This will give a better appearance to the lawn.

- Do not cut the grass too short. Short grass invites weed growth and yellows quickly in dry weather.
- Mowing should always be done with the engine at full throttle.
- Under heavier conditions it may be necessary to go back over the cut area a second time to get a clean cut.
- Do NOT attempt to mow heavy brush and weeds and extremely tall grass. Your tractor is designed to mow lawns, NOT clear brush.
- Keep the blades sharp and replace the blades when worn. Refer to **Cutting Blades** on page 21 of this manual for proper blade sharpening instructions.

Headlights

On some models, the lamps are ON whenever the tractor's engine is running. On other models, the lamps are ON whenever the ignition key is moved out of the STOP position.

On all models, the lamps turn OFF when the ignition key is moved to the STOP position.

SECTION 6: MAKING ADJUSTMENTS



WARNING: Never attempt to make any adjustments while the engine is running, except where specified in the operator's manual.

Leveling the Deck

NOTE: Check the tractor's tire pressure before performing any deck leveling adjustments. Refer to *Tires* on page 21 for information regarding tire pressure.

Front To Rear

The front of the cutting deck is supported by a stabilizer bar that can be adjusted to level the deck from front to rear. The front of the deck should be between 1/4-inch and 3/8-inch lower than the rear of the deck. Adjust if necessary as follows:

- With the tractor parked on a firm, level surface, place the deck lift lever in the top notch (highest position) and rotate the blade nearest the discharge chute so that it is parallel with the tractor.
- Measure the distance from the front of the blade tip to the ground and the rear of the blade tip to the ground.
- The first measurement taken should be between 1/4" and 3/8" less than the second measurement. Determine the approximate distance necessary for proper adjustment and proceed, if necessary, to the next step.
- Loosen the two jam nuts, if present, on the rear side of the deck stabilizer bracket.
- Locate the two lock nuts on the front side of the stabilizer bracket. See Figure 11. Tighten the lock nuts to raise the front of the deck; loosen the lock nuts to lower the front of the deck.

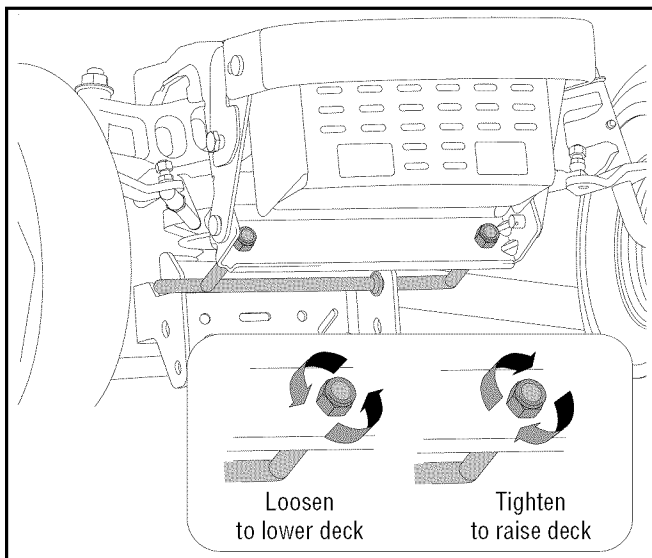


Figure 10

- Retighten the two jam nuts loosened earlier when proper adjustment is achieved.

Side to Side

If the cutting deck appears to be mowing unevenly, a side to side adjustment can be performed. Adjust if necessary as follows:

- With the tractor parked on a firm, level surface, place the deck lift lever in the top notch (highest position) and rotate both blades so that they are perpendicular with the tractor.
- Measure the distance from the outside of the left blade tip to the ground and the distance from the outside of the right blade tip to the ground. Both measurements taken should be equal. If they're not, proceed to the next step.
- Loosen, but do NOT remove, the hex cap screw on the left deck hanger bracket. See Figure 11.

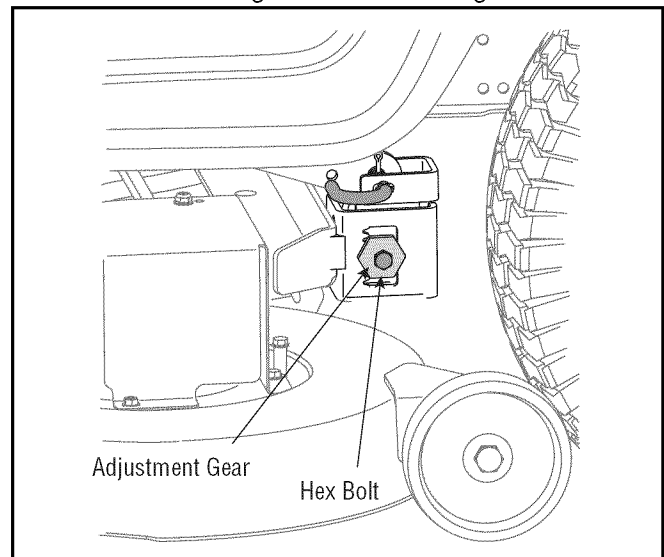


Figure 11

- Balance the deck by using a wrench to turn the adjustment gear (found immediately behind the hex cap screw just loosened) clockwise/up or counterclockwise/down.
- The deck is properly balanced when both blade tip measurements taken earlier are equal.
- Retighten the hex cap screw on the left deck hanger bracket when proper adjustment is achieved.

Parking Brake Adjustment



WARNING: Never attempt to adjust the brakes while the engine is running. Always disengage PTO, move shift lever into neutral position, stop engine and remove key to prevent unintended starting.

If the tractor does not come to a complete stop when the brake pedal is completely depressed, or if the tractor's rear wheels can roll with the parking brake applied, the brake is in need of adjustment. The brake disc can be found on the right side of the transmission in the rear of the tractor. Adjust if necessary as follows:

- Looking at the transmission from the right side of the tractor, locate the compression spring and brake disc. See Figure 12.

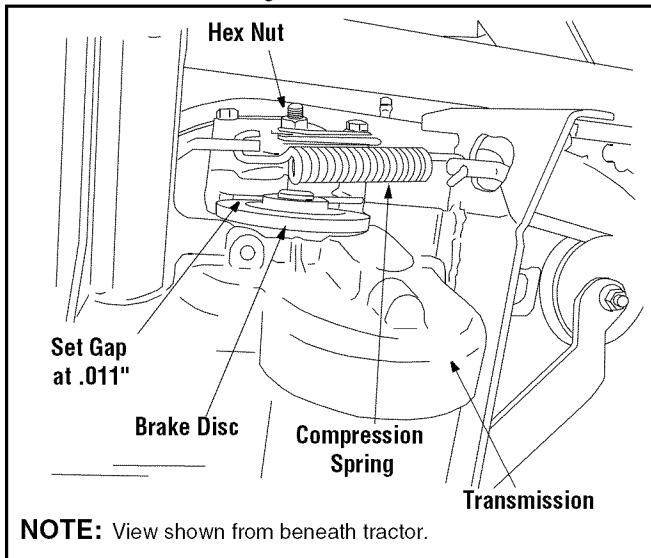


Figure 12

- Loosen, but do NOT remove, the hex nut found on the right side of the brake assembly. See Figure 12.
- Using a feeler gauge, set the gap between the brake disc and the brake puck at .011\".
- Re-tighten the hex nut loosened earlier.

Seat Adjustment



WARNING: Before operating this machine, make sure the seat is engaged in the seat stop, stand behind the machine and pull back on seat until fully engaged into stop.

To adjust the position of the seat, move the lever to the left and slide the seat forward or rearward. Make sure seat is locked into position before operating the tractor.

Steering Adjustment

If the tractor turns tighter in one direction than the other, or if the ball joints are being replaced due to damage or wear, the steering drag links may need to be adjusted.

Adjust the drag links so that equal lengths are threaded into the ball joint on the left side and the ball joint on the right side:

- Loosen the jam nut found on the drag link at the rear of the ball joint. See Figure 13.

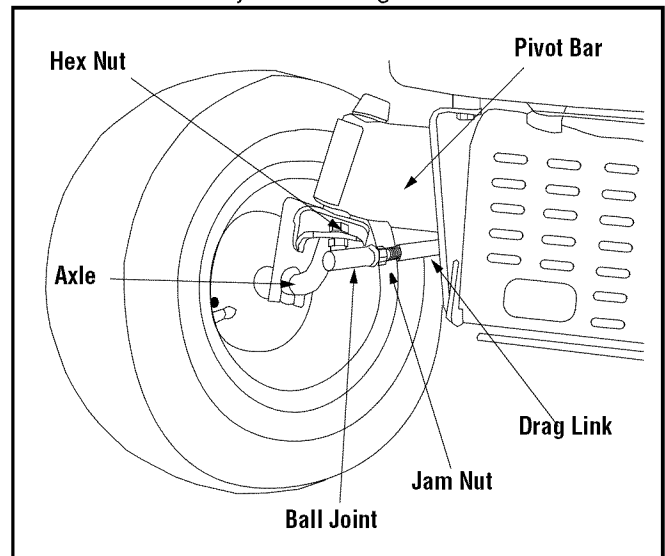


Figure 13

- Remove the hex nut on the top of ball joint. See Figure 13.
- Thread the ball joint toward the jam nut to shorten the drag link. Thread the ball joint away from the jam nut to lengthen the drag link.
- Replace hex nut and retighten the jam nut after proper adjustment is achieved.

NOTE: Threading the ball joints too far onto the drag links will cause the front tires to "toe-in" too far. Proper toe-in is between 1/16" and 5/16\".

Front tire toe-in can be measured as follows:

- Place the steering wheel in position for straight ahead travel.
- In front of the axle, measure the distance horizontally from the inside of the left rim to the inside of the right rim. Note the distance.
- Behind the axle, measure the distance horizontally from the inside of the left rim to the inside of the right rim. Note the distance.
- The measurement taken in front of the axle should be between 1/16" and 5/16" less than the measurement taken behind the axle. Adjust if necessary.

SECTION 7: MAINTAINING YOUR LAWN TRACTOR



WARNING: Before performing any maintenance or repairs, disengage PTO, move shift lever into neutral position, set parking brake, stop engine and remove key to prevent unintended starting.

Engine

Refer to the *Briggs & Stratton Operator/Owner Manual* for engine maintenance instructions.

Check **engine oil level** before each use as instructed in the *Briggs & Stratton Operator/Owner Manual* packed with your unit. **Follow the instructions carefully.**

Changing Engine Oil

NOTE: Depending on the engine model found on your tractor, it may be necessary to remove the tractor's side panel in order to replace the oil filter (if so equipped).

- Unscrew oil fill cap and remove dipstick from the oil fill tube. See Figure 14.

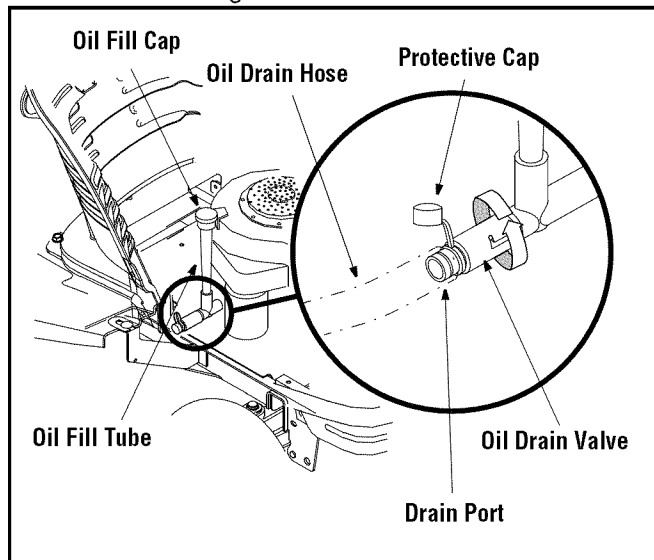


Figure 14

- Pop open the protective cap on the end of the oil drain valve to expose the drain port. See Figure 14.
- Push the oil drain hose (packed with this manual) onto the oil drain port. Route the opposite end of the hose into an appropriate oil collection container with a capacity of no less than 64 oz.
- Push the oil drain valve in slightly, then rotate counterclockwise and pull outward to begin draining oil. See Figure 14.
- Service the **oil filter** (if so equipped) as instructed in the separate *Briggs & Stratton Operator/Owner Manual* packed with your unit.

Perform the above steps in the opposite order after oil has finished draining.

- Refill the engine with new motor oil.

IMPORTANT: Refer to the *Briggs & Stratton Operator/Owner Manual* packed with your unit for information regarding the quantity and proper weight of motor oil.

Air Cleaner

Service the pre-cleaner, if so equipped, and cartridge/air cleaner element as instructed in the *Briggs & Stratton Operator/Owner Manual* packed with your unit.

Spark Plug(s)

The spark plug(s) should be cleaned and the gap reset once a season. Spark plug replacement is recommended at the start of each mowing season. Refer to the *Briggs & Stratton Operator/Owner Manual* for correct plug type and gap specifications.

Lubrication



WARNING: Before lubricating, repairing, or inspecting, always disengage PTO, move shift lever into neutral position, set parking brake, stop engine and remove key to prevent unintended starting.

Engine

Lubricate the engine with motor oil as instructed in the *Briggs & Stratton Owner Manual* packed with your unit.

Pivot Points & Linkage

Lubricate all the pivot points on the drive system, parking brake and lift linkage at least once a season with light oil.

Rear Wheels

The rear wheels should be removed from the axles once a season. Lubricate the axles and the rims well with an all-purpose grease before re-installing them.

Front Axles

Each end of the tractor's front pivot bar may be equipped with a grease fitting. Lubricate with a grease gun after every 25 hours of tractor operation.

Cleaning the Engine And Deck

Any fuel or oil spilled on the machine should be wiped off promptly. Do NOT allow debris to accumulate around the cooling fins of the engine or on any other part of the machine.

IMPORTANT: The use of a pressure washer to clean your tractor is NOT recommended. It may cause damage to electrical components, spindles, pulleys, bearings or the engine.

Deck Wash System™

Your tractor's deck is equipped with a water port on its surface as part of its deck wash system.

Use the Deck Wash System™ to rinse grass clippings from the deck's underside and prevent the buildup of corrosive chemicals. Complete the following steps **AFTER EACH MOWING**:

1. Drive the tractor to a level, clear spot on your lawn, near enough to a water sillcock (spigot) for your garden hose to reach.

IMPORTANT: Make certain the tractor's discharge chute is directed **AWAY** from your house, garage, parked cars, etc.

2. Disengage the PTO (Blade Engage), move the shift lever into the neutral position, set the parking brake, and stop the engine.
3. Thread the hose coupler (packaged with your tractor's Operator's Manual) onto the end of your garden hose.
4. Attach the hose coupler to the water port on your decks surface. See Figure 15.
5. Turn the water on.
6. While sitting in the operator's position on the tractor, re-start the engine and place the throttle lever in the FAST (rabbit) position.
7. If your tractor has a Manual PTO (Blade Engage), disengage the parking brake.
8. Move the tractor's PTO (Blade Engage) into the ON position.

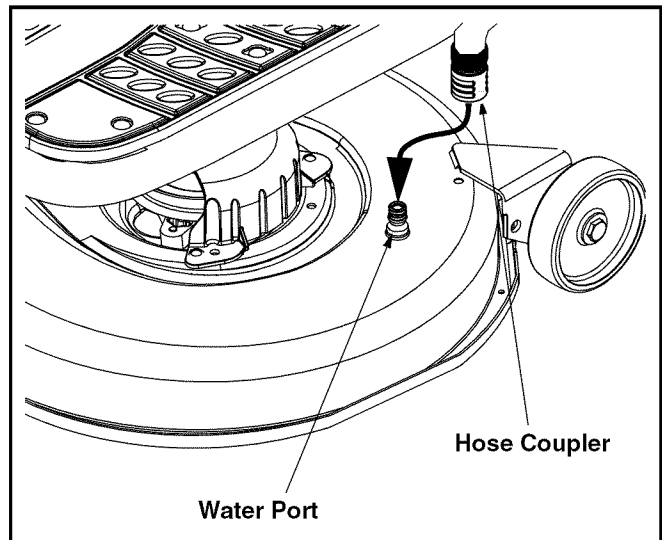


Figure 15

9. **Remain in the operator's position** with the cutting deck engaged for a minimum of two minutes, allowing the underside of the cutting deck to thoroughly rinse.
10. Move the tractor's PTO (Blade Engage) into the OFF position.
11. Turn the ignition key to the STOP position to turn the tractor's engine off.
12. If your tractor has a Manual PTO (Blade Engage), engage the parking brake.
13. Turn the water off and detach the hose coupler from the water port on your decks surface.
14. Repeat steps 4-11 on the opposite side of the cutting deck.

SECTION 8: SERVICE

Cutting Deck Removal

To remove the cutting deck, proceed as follows:

- Place the PTO (Blade Engage) knob (or lever) in the disengaged (OFF) position and engage the parking brake.
- Lower the deck by moving the deck lift lever into the bottom notch on the right fender.
- Remove the PTO belt from around the tractor's engine pulley (or electric PTO clutch, if so equipped) and idler pulley(s). Refer to Figure 20.

NOTE: On models with a 46-inch deck, it may be necessary to remove the belt keepers from around the engine pulley, in order to remove the PTO belt.

- Looking at the cutting deck from the left side of the tractor, locate the deck support pin on the rear left side of the deck. See Figure 16.

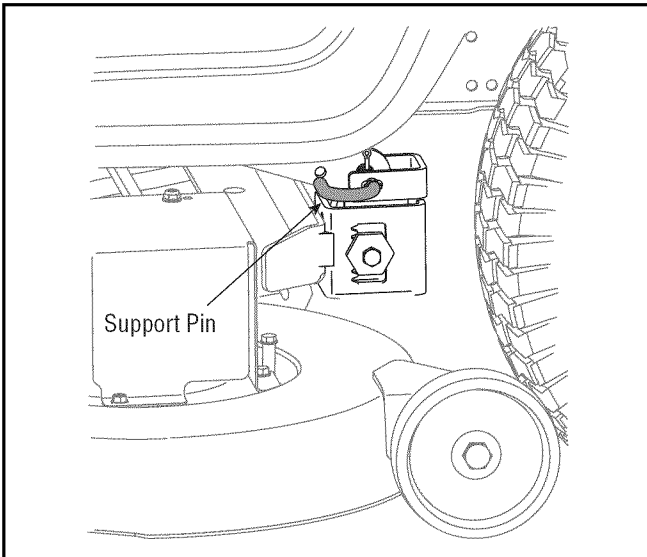


Figure 16

- Pull the deck support pin outward to release the deck from the deck lift arm.
- Rotate the pin slightly toward the rear of the tractor and release the pin into the hole provided.
- Repeat the above steps on the tractor's right side.
- Move the deck lift lever into the top notch on the right fender to raise the deck lift arms up and out of the way.

NOTE: Models with a 46-inch deck are equipped with a short cable which controls the deck spindle brake. It is necessary to unhook this cable in order to fully remove the cutting deck from the tractor. Be certain to reattach the cable when re-mounting the cutting deck.

- Gently slide the cutting deck toward the front of the tractor allowing the hooks on the deck to release themselves from the deck stabilizer rod.
- Gently slide the cutting deck (from the right side) out from underneath the tractor.

Tires



WARNING: Never exceed the maximum inflation pressure shown on the sidewall of the tire.

The recommended operating tire pressure is:

- Approximately 10 psi for the rear tires
- Approximately 14 psi for the front tires

IMPORTANT: Refer to the tire sidewall for exact tire manufacturer's recommended or maximum psi. Do not overinflate. Uneven tire pressure could cause the cutting deck to mow unevenly.

Battery

The battery is sealed and is maintenance-free. Acid levels cannot be checked.

- Always keep the battery cables and terminals clean and free of corrosive build-up.
- After cleaning the battery and terminals, apply a light coat of petroleum jelly or grease to both terminals.
- Always keep the rubber boot positioned over the positive terminal to prevent shorting.

IMPORTANT: If removing the battery for any reason, disconnect the NEGATIVE (Black) wire from its terminal first, followed by the POSITIVE (Red) wire. When re-installing the battery, always connect the POSITIVE (Red) wire its terminal first, followed by the NEGATIVE (Black) wire. Be certain that the wires are connected to the correct terminals; reversing them could change the polarity and result in damage to your engine's alternating system.

Charging

If the tractor has not been put into use for an extended period of time, charge the battery with an automotive-type 12-volt charger for a minimum of **one hour at six amps**.



WARNING: Batteries give off an explosive gas while charging. Charge battery in a well ventilated area and keep away from an open flame or pilot light as on a water heater, space heater, furnace, clothes dryer or other gas appliances.

Jump Starting



WARNING: When removing or installing the battery, follow these instructions to prevent the screwdriver from shorting against the frame.

IMPORTANT: Never jump your tractor's dead battery with the battery of a running vehicle.

- Connect end of one jumper cable to the positive terminal of the good battery, then the other end to the positive terminal of the dead battery.
- Connect the other jumper cable to the negative terminal of the good battery, then to the **frame of the unit with the dead battery**.



WARNING: Failure to use this procedure could cause sparking, and the gas in either battery could explode.

Cleaning

Clean the battery by removing it from the tractor and washing with a baking soda and water solution. If necessary, scrape the battery terminals with a wire brush to remove deposits. Coat terminals and exposed wiring with grease or petroleum jelly to prevent corrosion.

Battery Failures

Some common causes for battery failure are:

- incorrect initial activation
- undercharging
- overcharging
- corroded connections
- freezing

These failures are NOT covered by your tractor's warranty.

Cutting Blades



WARNING: Be sure to shut the engine off, remove ignition key, disconnect the spark plug wire(s) and ground against the engine to prevent unintended starting before removing the cutting blade(s) for sharpening or replacement. Protect your hands by using heavy gloves or a rag to grasp the cutting blade.



WARNING: Periodically inspect the blade spindles for cracks or damage, especially if you strike a foreign object. Replace immediately if damaged.

The blades may be removed as follows.

- Remove the deck from beneath the tractor, (refer to **Cutting Deck Removal** on page 21) then gently flip the deck over to expose its underside.
- Place a block of wood between the center deck housing baffle and the cutting blade to act as a stabilizer. See •.

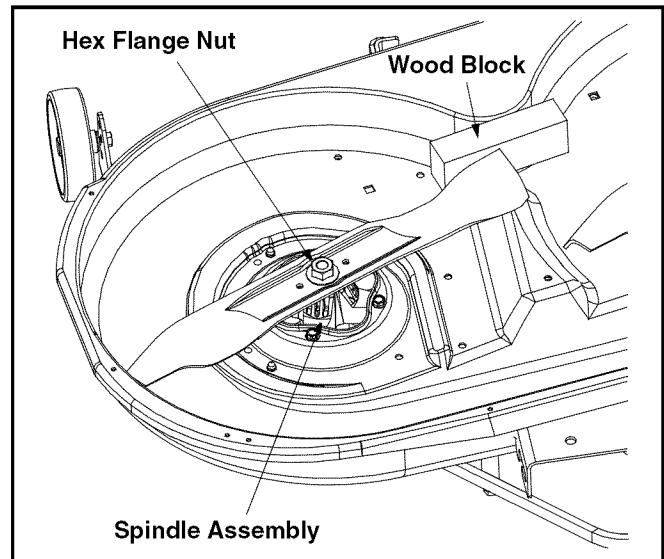


Figure 17

- Use a 15/16" wrench to remove the hex flange nut that secures the blade to the spindle assembly. See Figure 17
- To properly sharpen the cutting blades, remove equal amounts of metal from both ends of the blades along the cutting edges, parallel to the trailing edge, at a 25° to 30° angle. See Figure 18.

IMPORTANT: If the cutting edge of the blade has already been sharpened to within 5/8" of the wind wing radius, or if any metal separation is present, replace the blades with new ones. See Figure 18.

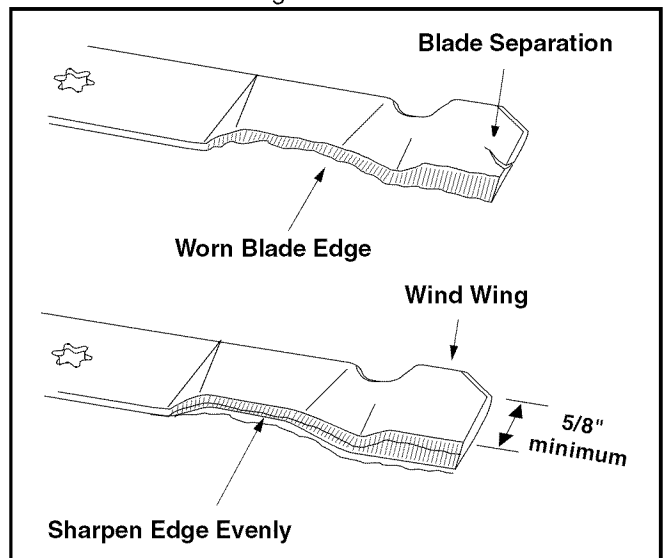


Figure 18

It is important that each cutting blade edge be ground equally to maintain proper blade balance.

A poorly balanced blade will cause excessive vibration and may cause damage to the tractor and result in personal injury. The blade can be tested by balancing it on a round shaft screwdriver. Grind metal from the heavy side until it balances evenly.

When replacing the blade, be sure to install the blade with the side of the blade marked “Bottom” (or with a part number stamped in it) facing the ground when the mower is in the operating position.

IMPORTANT: Use a torque wrench to tighten the blade spindle hex flange nut to between 70 foot-pounds and 90 foot-pounds.

Fuses

Two fuses are installed in your tractor’s wiring harness to protect the tractor’s electrical system from damage caused by excessive amperage.

If the electrical system does not function, or your tractor’s engine will not crank, first check to be certain that the fuse has not blown.

One can be found under the hood mounted behind the top of the dash panel on the support bar.

The other can be found under the seat mounted to the inside of the tractor frame next to the battery tray.



WARNING: Always use a fuse with the same amperage capacity for replacement.

Changing the Deck Belt & PTO Belt



WARNING: Be sure to shut the engine off, remove ignition key, disconnect the spark plug wire(s) and ground against the engine to prevent unintended starting before removing the belt(s).

All belts on your tractor are subject to wear and should be replaced if any signs of wear are present.

IMPORTANT: The V-belts found on your tractor are specially designed to engage and disengage safely. A substitute (non-OEM) V-belt can be dangerous by not disengaging completely. For a proper working machine, use factory approved belts.

To change or replace the deck belt and PTO belt on your tractor, proceed as follows:

- Lower the deck by moving the deck lift lever into the bottom notch on the right fender.
- Remove the belt guards by removing the self-tapping screws that fasten them to the deck.

46-inch Decks

- Grasp the rearmost portion of the PTO idler bracket and pivot it toward the discharge chute to relieve tension on the PTO belt.

- Remove the PTO belt from around the engine pulley (or electric PTO clutch) and from around the PTO idler pulley(s).
- Grasp the deck idler pulley and pivot it toward the left to relieve tension on the deck belt.

50-inch Decks

- To ease in removing the belt in later steps, loosen, but do not remove, the bolt which secures the pivoting idler pulley to the idler bracket. See Figure 19.

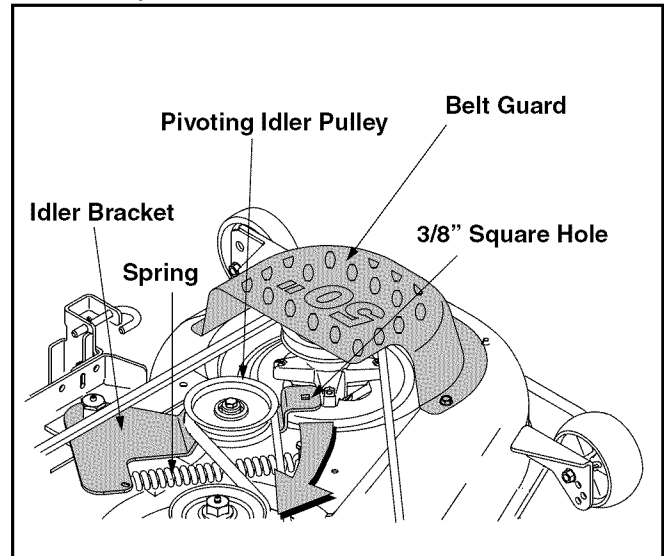


Figure 19

- Insert a 3/8"-drive ratchet wrench (set to *tighten*) into the square hole found in the idler bracket on the left side of the deck’s surface. See Figure 19.
- Grasp the ratchet’s handle and pivot it toward the tractor’s right side to relieve tension on the belt.
- With belt tension relieved, **carefully remove the belt from around the left-hand spindle pulley.**



WARNING: Avoid the possibility of a pinching injury. Do not place your fingers on the idler spring or between the belt and a pulley while removing the belt.

IMPORTANT: Carefully allow the ratchet to pivot rearward before removing it from the square hole.

All Models

- Remove the deck belt from around all pulleys, including the deck idler pulley.
- Route the new belts (deck belt first) as shown in and Figure 20.
- Remount the belt guards removed earlier.

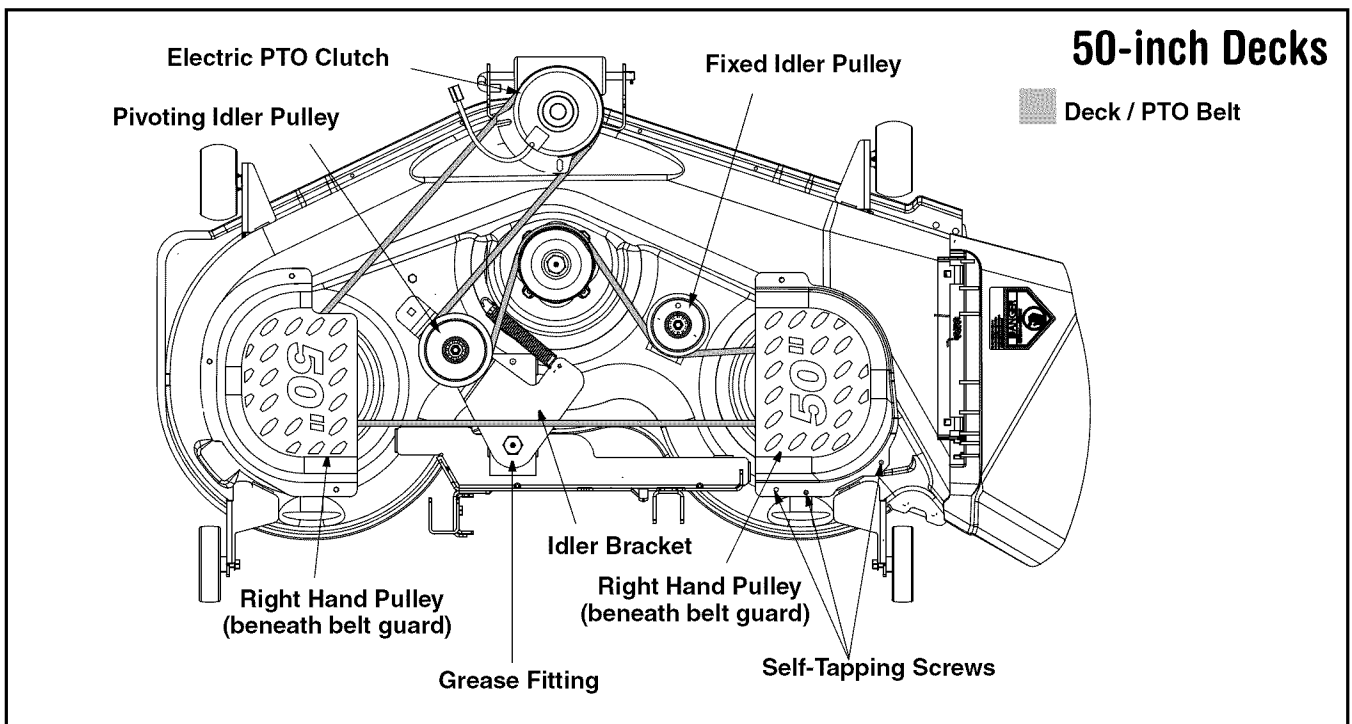
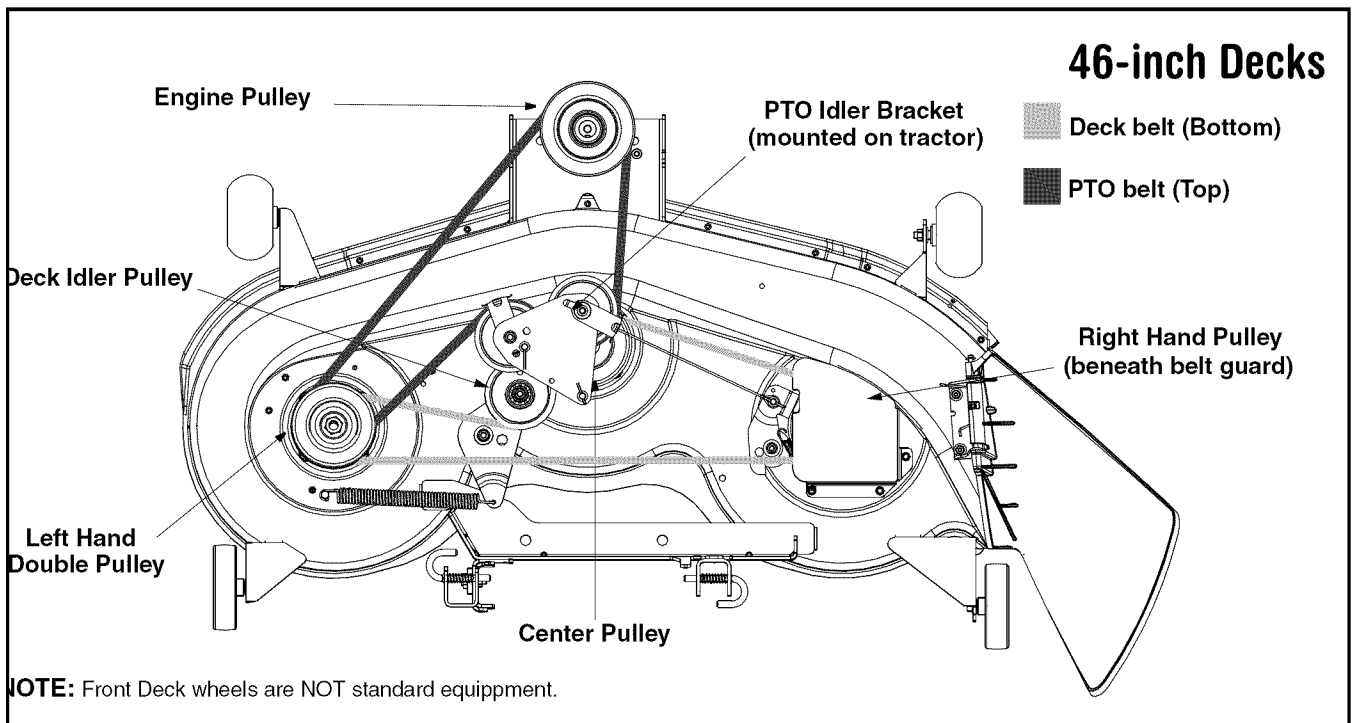


Figure 20

Changing the Transmission Drive Belts

NOTE: Several components must be removed and special tools (i.e. air/impact wrench) in order to change the tractor's drive belts. See an authorized MTD Service Dealer to have your drive belts replaced or phone Customer Support as instructed on page 2 for information on ordering an MTD Service Manual.

SECTION 9: OFF-SEASON STORAGE

Clean and lubricate the tractor as instructed in **Section 7: MAINTAINING YOUR LAWN TRACTOR** on page 19 of this manual before storing for an extended period.



WARNING: Drain fuel only into an approved container outdoors, away from an open flame. Allow engine to cool. Extinguish cigarettes, cigars, pipes, and other sources of ignition prior to draining fuel.

Follow the instructions in the **Service, Storage & Specifications** section of the *Briggs & Stratton* Operator/Owner Manual for proper engine care prior to storing your tractor.



WARNING: Never store the machine or fuel container indoors where there is an open flame, spark or pilot light such as on water heater, furnace, clothes dryer or other gas appliance.

SECTION 10: ATTACHMENTS & ACCESSORIES

The following attachments and accessories are compatible for Model Series 606 Lawn Tractors. See the retailer from which you purchased your tractor, an authorized *MTD* Service Dealer or phone (800) 800-7310 for information regarding price and availability.

NOTE: *Model Series 606 Lawn Tractors are NOT designed for use with any type of ground-engaging attachments (e.g. tiller or plow). Use of this type of equipment WILL void the tractor's warranty.*

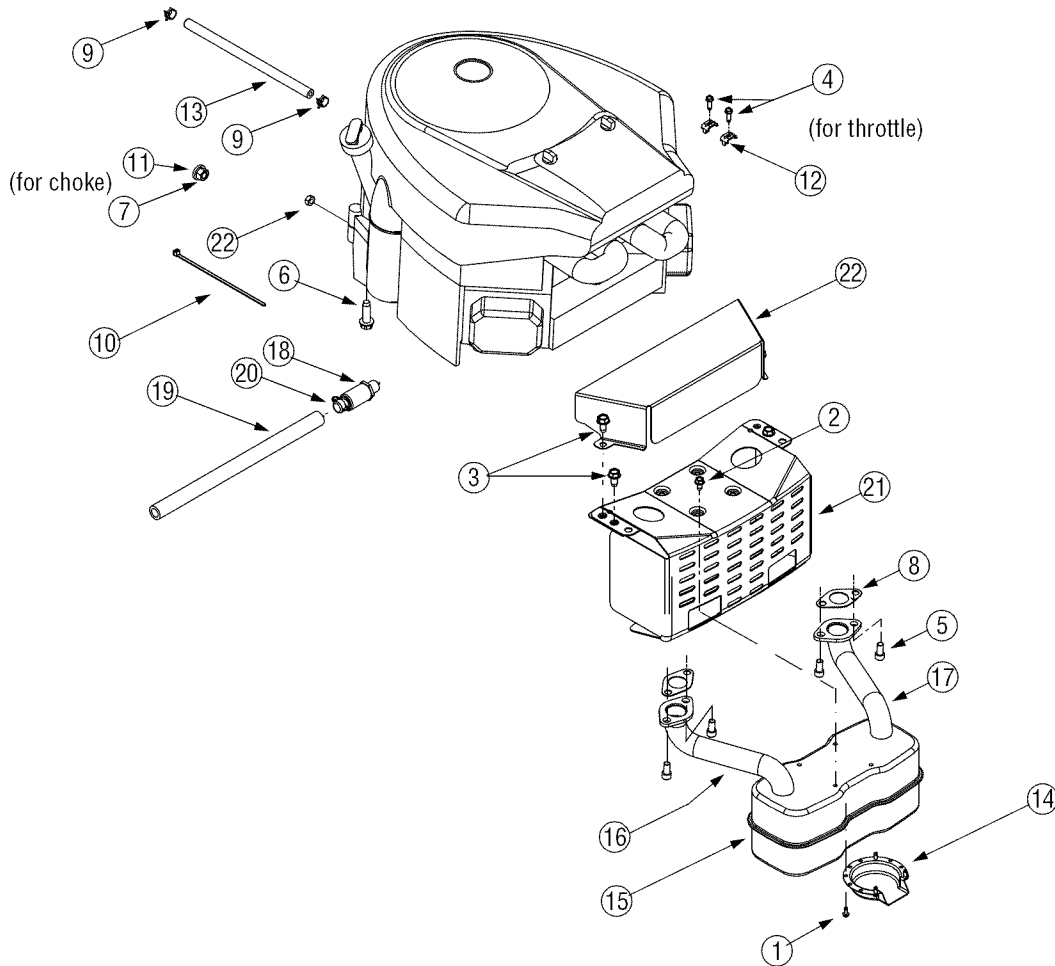
MODEL	DESCRIPTION
OEM-190-118	46-inch Deck Mulch Kit
OEM-190-193	50-inch Deck Mulch Kit
OEM-190-182	Twin Bagger Grass Collector (for 46-inch Decks)
OEM-190-192	Triple Bagger Grass Collector (for 50-inch Decks)
OEM-190-215	Rear Wheel Weights (62 lb.)
OEM-190-603	Grille Guard (mounts on front of tractor)
OEM-190-607*	Deluxe Tractor Sunshade
OEM-190-751*	Tractor Snow Cab
OEM-190-823	42-inch Two-stage Snow Thrower
OEM-190-833	46-inch Front Dozer Blade

* Not compatible with tractors equipped with a Grass Collector

SECTION 11: TROUBLESHOOTING

Trouble	Possible Cause(s)	Corrective Action
Engine fails to start	PTO engaged. Parking brake not engaged. Spark plug wire(s) disconnected. Throttle control lever not in correct starting position. Choke not activated Fuel tank empty, or stale fuel. Blocked fuel line. Faulty spark plug. Engine flooded.	Place PTO knob (or lever) in disengaged (OFF) position. Engage parking brake. Connect wire(s) to spark plug(s). Place throttle lever to FAST position. Pull out the CHOKE control (if so equipped) or place the throttle control in CHOKE position. Fill tank with clean, fresh (less than 30 days old) gas. Clean fuel line or replace fuel filter, if so equipped. Clean, adjust gap or replace plug. Crank engine with throttle in FAST position.
Engine runs erratic	Unit running with CHOKE applied. Spark plug wire(s) loose. Blocked fuel line or stale fuel. Vent in gas cap plugged. Water or dirt in fuel system. Dirty air cleaner.	Push CHOKE control (if so equipped) in, or move the throttle control out of the CHOKE position. Connect and tighten spark plug wire(s). Clean fuel line; fill tank with clean, fresh (less than 30 days old) gasoline. Replace fuel filter, if so equipped. Clear vent or replace cap if damaged. Drain fuel tank. Refill with clean, fresh (less than 30 days old) gasoline. Replace air cleaner cartridge/element or clean pre-cleaner, if so equipped.
Engine overheats	Engine oil level low. Air flow restricted.	Fill crankcase with proper capacity and weight of oil. Clean grass clippings and debris from around the engine's cooling fins and blower housing.
Engine hesitates at high RPM	Spark plug(s) gap too close.	Remove spark plug(s) and reset the gap.
Idles poorly	Spark plug(s) fouled, faulty or gap too wide. Dirty air cleaner.	Replace spark plug(s). Set plug(s) gap. Replace air cleaner cartridge/element or clean pre-cleaner, if so equipped.
Excessive vibration	Cutting blade loose or unbalanced. Damaged or bent cutting blade.	Tighten blade and spindle. Balance blade. Replace blade.
Mower will not mulch grass	Engine speed too low. Wet grass. Excessively high grass. Dull blade.	Place throttle control in FAST (rabbit) position. Do not mow when grass is wet; wait until later to cut. Mow once at a high cutting height, then mow again at desired height or make a narrower cutting swath. Sharpen or replace blade.
Uneven cut	Deck not balanced properly. Dull blade. Uneven tire pressure.	Perform side-to-side deck adjustment. Sharpen or replace blade. Check tire pressure in all four tires.

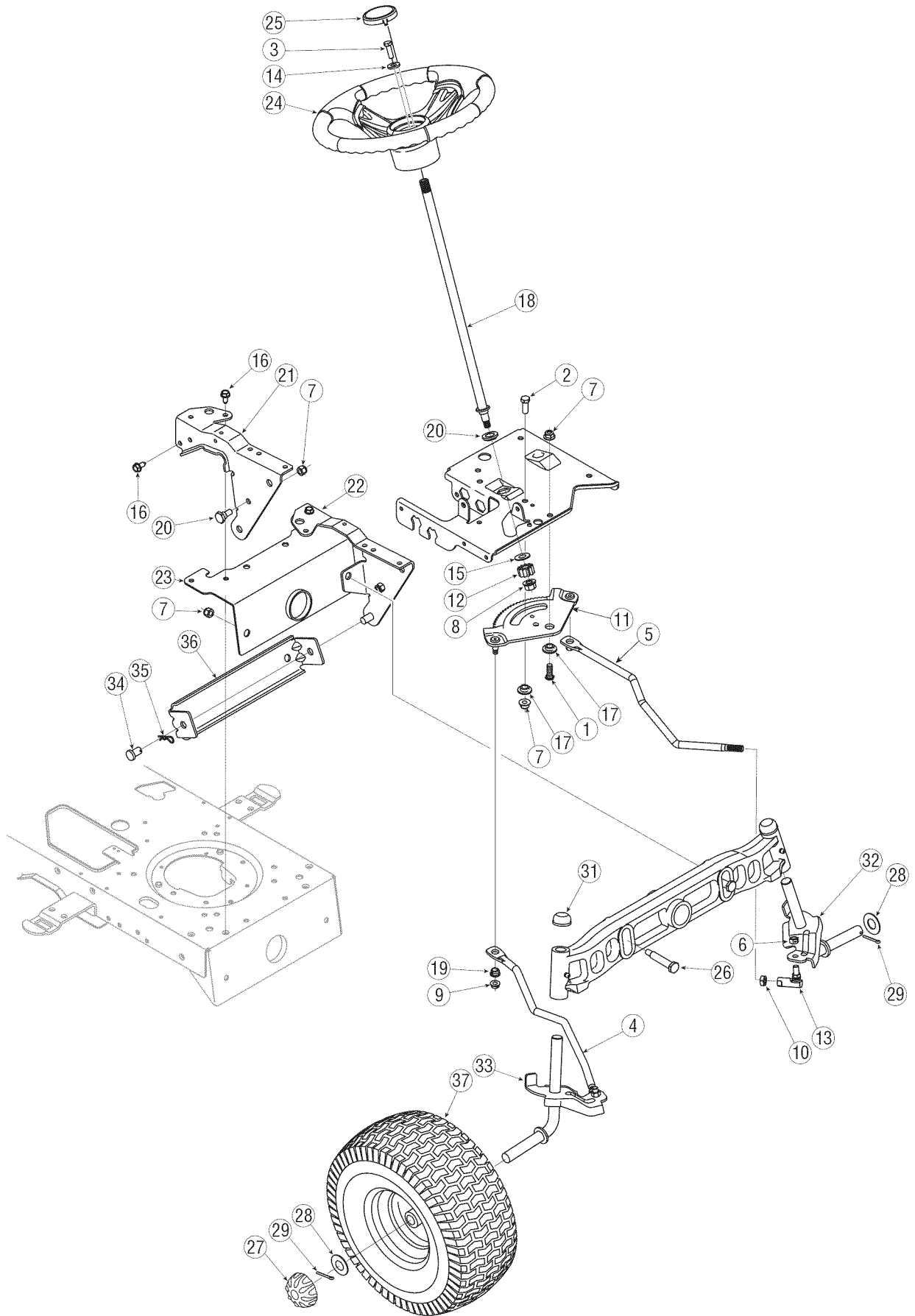
SECTION 12: PARTS LIST



REF. NO.	PART NO.	DESCRIPTION	REF. NO.	PART NO.	DESCRIPTION
1	710-0227	Screw, #8-18 x .50	12	751B221535	Casing Clamp
2	710-0599	Screw, 1/4-20 x .50	13	751-0535	Fuel Line Hose
3	710-0726	Screw, 5/16-18 x .750	14	751-0564A	Muffler Deflector
4	710-1237	Screw, #10-32 x .625	15	751-0616A	Muffler, Twin Inlet
5	710-1314A	Socket Cap Screw, 5/16-18 x .625	16	751-0650B	RH Exhaust Pipe
6	710-1315	Self-tapping Screw, 3/8-16 x 1.25	17	751-0651B	LH Exhaust Pipe
7	712-3017	Hex Nut, 3/8-16	18	751-3140	Oil Drain Valve
8	721-0460	Exhaust Gasket	19	751-3141	Oil Drain Hose
9	726-0205	Hose Clamp	20	751-3142	Oil Drain Cap
10	725-0157	Cable Tie	21	783-0615D	Muffler Heat Shield
11	736-0300	Lock Washer, .406 x .875 x .059	22	712-0271	Sems Nut, 1/4-20

NOTE: Tractor features vary by model. NOT all parts listed and pictured above are standard equipment.

Model Series 606

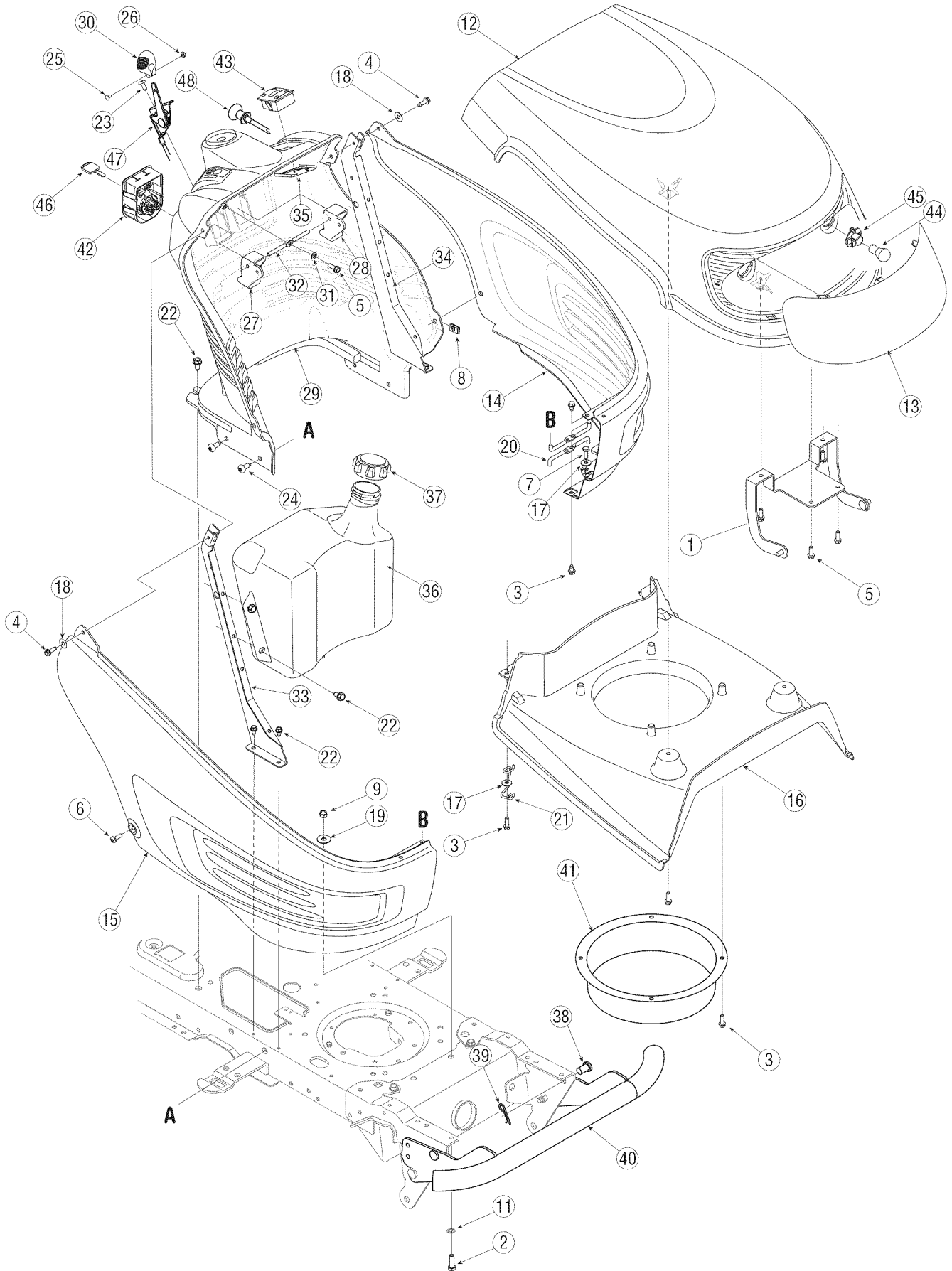


Model Series 606

REF. NO.	PART NO.	DESCRIPTION
1	710-04095	Hex Screw, 3/8-16, 1.00, Gr5
2	710-0514	Hex Screw, 3/8-16, 1.00, Gr5
3	710-0643	Hex Screw, 5/16-18, 1.00, Gr5
4	711-1408	Link, Drag, RH
5	711-1409A	Link, Drag, LH
6	712-0214	Nut, Hex Lock, 3/8-24
7	712-04065	Nut, Flange Lock, 3/8-16, Grf, Nylon
8	712-0459	Nut, Flange Lock, 7/16-20
9	712-3004A	Nut, Flange Lock, 5/16-18, Gr5
10	712-0240	Nut, Jam, 7/16-20, Gr2
11	717-1550E	Gear, Steering, 11/90 Ratio
12	717-1554	Gear, Pinion, Steering
13	723-0448A	Ball Joint, 7/16-20, Lock
14	736-3004	Washer, Flat, .406 x .875 x .105
15	736-3084	Washer, Flat, .51 x 1.12 x .06
16	710-0726	Screw, 5/16-12, 0.750
17	738-04154	Spacer, Shoulder, .38 x 1.00 x .31
18	738-1001A	Shaft, Steering, .625 OD x 24.25 Lg
19	741-0475	Plastic Bushing .380 ID
20	738-0143	Screw, Shoulder, .498 x .340, 3/8-16
21	783-0726D	Pivot Bracket, Support RH
22	783-0727C	Pivot Bracket, Support LH
23	783-0728	Pivot Bracket, Bar
24	631-04008	Steering Wheel, 13.25
25	731-04039	Steering Wheel Cap, Round
26	738-1011	Shoulder Screw, .5 x 2.2, 3/8-16
27	734-2290A	Deluxe Hub Cap
28	736-0316	Flat Washer, .78 x 1.589 x .06
29	714-04039	Cotter Pin, 5/32 x 1.25
30	719-04105	Cast Iron Pivot Bar
31	726-0341	Push Cap
32	638-04005	LH Axle Assembly, .750
33	638-04006	RH Axle Assembly, .750
34	711-0332	Pin, Clevis, .50 x .78
35	714-04023	Cotter Pin, Internal, .080 x 1.5625
36	783-0720A	Adjustment Bracket, Front
37	634-04086	Wheel Assembly Complete, 15 x 6 (Models w/ 46" Deck)
	634-04087	Wheel Assembly Complete, 15 x 6 (Models w/ 50" Deck)
	734-1731	Tire Only 15 x 6 x 6 (Models w/ 46" Deck)
	734-04040	Tire Only 15 x 6 x 6 (Models w/ 50" Deck)
	634-04081	Rim Only w/ Valve Stem (All Models)

NOTE: Tractor features vary by model. NOT all parts listed above and pictured on the previous page are standard equipment.

Model Series 606

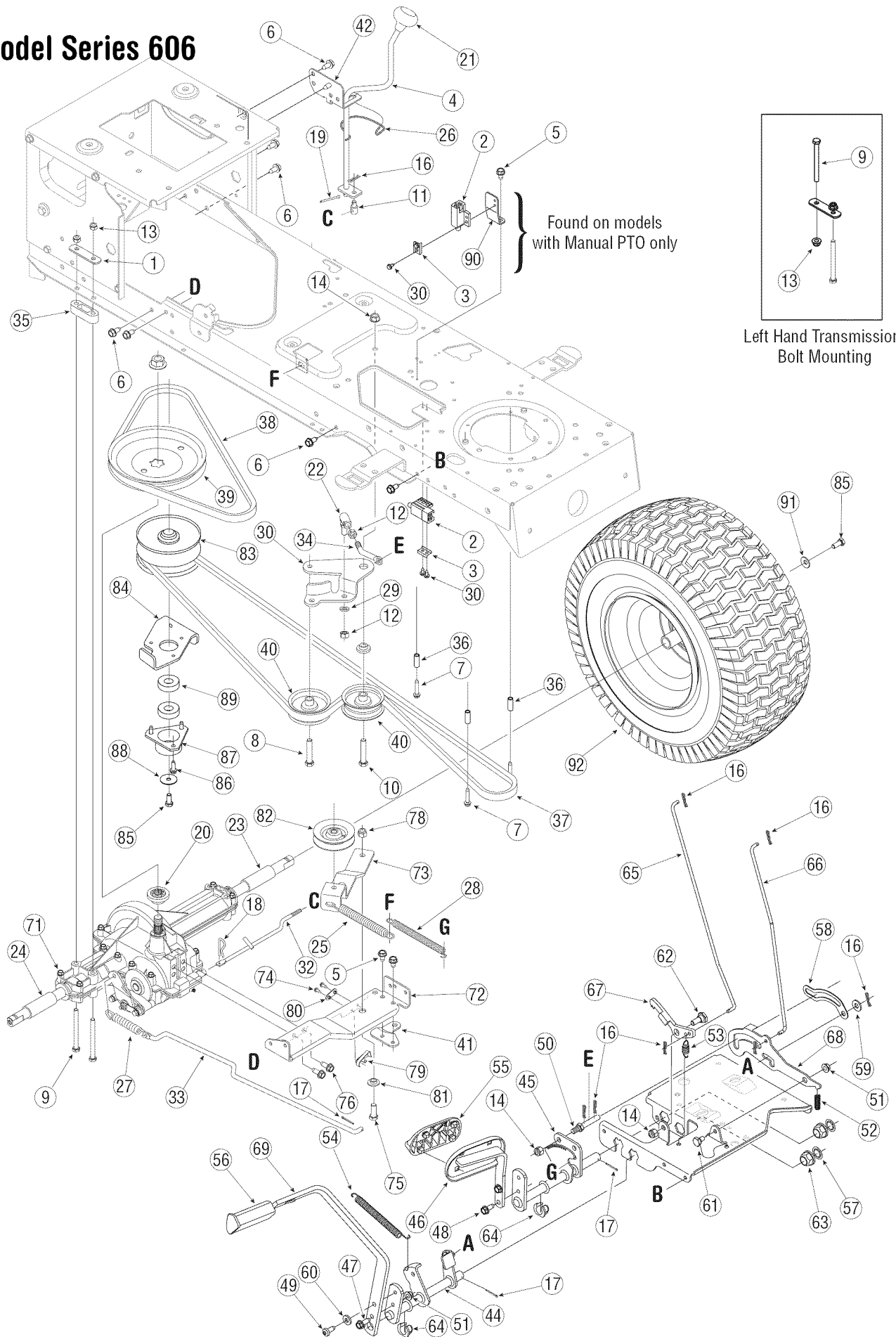


Model Series 606

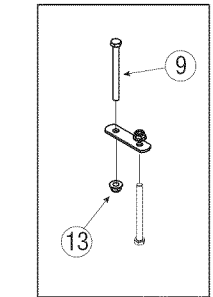
REF. NO.	PART NO.	DESCRIPTION	REF. NO.	PART NO.	DESCRIPTION
1	683-0305	Bracket Assembly, Hood	29	731-05037	Dash Panel (Models w/ Electric PTO)
2	710-0376	Hex Screw, 5/16-18, 1.00, Gr5		731-05002	Dash Panel (Models w/ Manual PTO)
3	710-0599	Screw, 1/4-20, 0.500	30	731-1857	Control Knob
4	710-0642	Screw, 1/4-20, 0.750	31	736-0142	Washer, Flat, .281 x .50 x .063
5	710-0895	Screw, 1/4-15, 0.750	32	747-1155	Rod, Brake / Cruise Pivot
6	710-0924	Screw, Machine, 1/4-20, 0.750	33	783-04285A	Support Plate, Dash, RH
7	710-3015	Hex Screw, 1/4-20, .75, Gr5	34	783-04323A	Support Plate, Dash, LH
8	712-0292	Nut, Clip, 1/4-20	35	783-0462	Retainer Bracket, PTO Switch
9	712-04063	Nut, Flange Lock, 5/16-18, Grf, Nylon	36	751-0658E	Fuel Tank, 3 Gal.
10	712-04064	Nut, Flange Lock, 1/4-20, Grf, Nylon		751-0659C	Fuel Tank, 2 Gal.
11	726-0201	Nut, Speed, .3125 ID	37	751-0603	Fuel Cap (Fits either fuel tank)
12	731-2283A	Hood	38	711-0332	Pin, Clevis, .50 x .78
13	731-2286	Lens	39	714-0145	Pin, Click, .092 x 1.64
14	731-2307B	Side Panel, LH	40	768-0010B	Bumper
15	731-2308B	Side Panel, RH	41	731-2234A	Bellow
16	731-05219	Plenum, Red	42	725-04227	Ignition Switch Module
17	736-0173	Washer, Flat, .28 x .74 x .063	43	725-04036A	Systems Indicator Monitor w/ Hour Meter
18	736-0342	Washer, Flat, .283 x .75 x .030	44	725-0963	Miniature Lamp, 12V
19	736-3078	Washer, Flat, .344 x 1.0 x .063	45	725-1649	Socket, Lamp
20	747-04301	Support, Side Panel	46	725-1744	Key, Ignition
21	747-2127	Rod, Hood Latch		725-1745	Key w/ Plastic Cover, Ignition
22	710-0726	Screw, 5/16-12, 0.750	47	746-1086	Throttle Cable, 39"
23	710-1017	Screw, 1/4-14, 0.625	48	746-1085A	Choke Knob w/ Cable, 37.5"
24	710-1611B	Screw, 5/16-18, 0.750	—	629-04083	Headlight Wire Harness (All Models)
25	710-3217	Screw, Machine, #8-32, 0.375	—	629-04104	Tractor Wire Harness (Models with Hour Meter & Manual PTO)
26	712-0142	Nut, Hex, #8-32	—	629-04105	Tractor Wire Harness (Models with Hour Meter & Electric PTO)
27	731-04213	Brake Lever			
28	731-04214	Cruise Control Lever			

NOTE: Tractor features vary by model. NOT all parts listed above and pictured on the previous page are standard equipment.

Model Series 606



Found on models with Manual PTO only



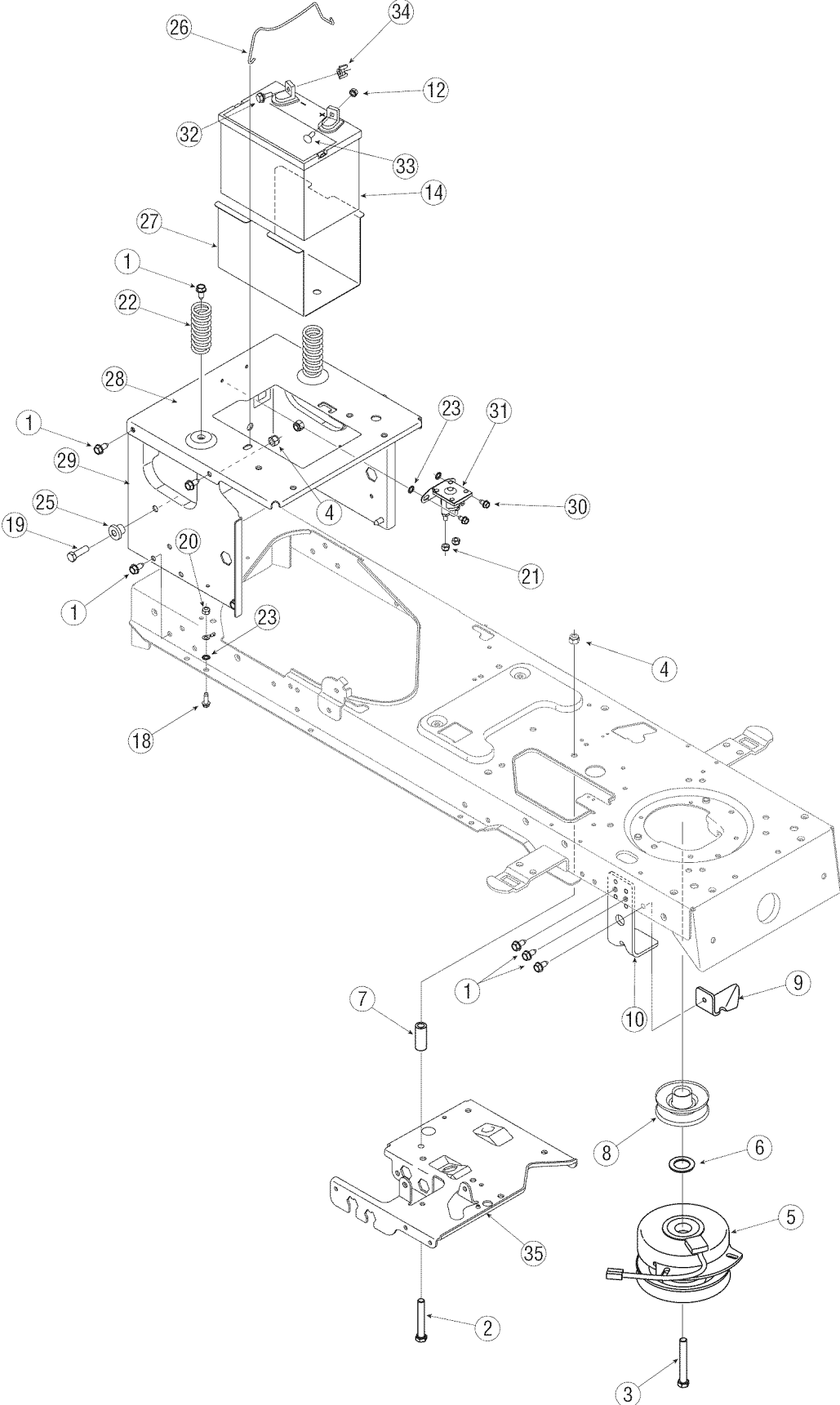
Left Hand Transmission Bolt Mounting

Model Series 606

REF. NO.	PART NO.	DESCRIPTION	REF. NO.	PART NO.	DESCRIPTION
1	17840	Mounting Bracket, Transaxle	50	711-04159B	Pin, 3/8-16 x 2.68
2	725-04039	Switch, Interlock	51	712-3004A	Nut, Flange Lock, 5/16-18, Gr5
3	17962	Plate, Switch	52	732-0335	Spring, Compression, .405 x 1.17
4	647-04020	Lever Assembly, Shift	53	732-0955	Spring, Extension, .50 OD x 1.41
5	710-0607	Screw, 5/16-18, 0.500	54	732-0963	Spring, Extension, .50 OD x 6.37
6	710-0726	Screw, 5/16-12, 0.750	55	735-0662	Pad
7	710-0809	Screw, 1/4-20, 1.250	56	735-3049	Pad, Brake
8	710-1007	Screw, Sems, 3/8-16, 1.500	57	736-0187	Washer, Flat, .64 x 1.24 x .06, Ht
9	710-1266	Screw, 5/16-18, 3.50, Gr5	58	736-0262	Washer, Flat, .385 x .870 x .092
10	710-3144	Screw, 3/8-16, 2.00, Gr5	59	736-0300	Washer, Flat, .406 x .875 x .059
11	711-0736	Adjustment Ferrule 1/4-20 x 1.	60	736-3008	Washer, Flat, .344 x .750 x .120
12	712-0241	Nut, Hex, 3/8-24, Gr5	61	738-0155	Screw, Shoulder .437 Dia x .162
13	712-04063	Nut, Flange Lock, 5/16-18, GrF, Nylon	62	738-0380	Screw, Shoulder, .50 x .27 Lg, 3/8-16
14	712-04065	Nut, Flange Lock, 3/8-16, GrF, Nylon	63	741-0225	Bearing, Hex Flange
15	712-0700	Nut, Flange, 9/16-18, Gr2	64	741-3065B	Split Bearing, Hex Flange
16	714-0104	Pin, Cotter, .072 Dia. x 1.13	65	747-04093	Rod, Brake Lock
17	714-0111	Pin, Cotter, 3/32, 1.0	66	747-04096	Rod, Cruise Control
18	714-0209	Cotter Pin, Internal, .125 Dia.	67	748-04039B	Latch, Cruise Control
19	714-0470	Pin, Cotter, 1/8 x 1.25	68	683-04186	Bracket, Lockout
20	718-0758A	Pulley Hub, 5/8 Spline	69	783-0773A	Ped, Brake
21	720-04028	Knob, Shift	70	783-0780B	Bracket, Neutral Return
22	723-3018	Ball Joint	71	618-04034	Transmission, Single Speed
23	731-04602	Sleeve, .758 x .821 x 3.3125	72	683-04055A	Bracket Assembly, Torque
24	731-04604	Sleeve, .758 x .821 x 2.4375	73	683-04130	Bracket, Idler
25	732-0384	Spring, Extension, .62 Dia x 6.12	74	710-0227	Screw, #8-18 x .50
26	732-0525	Spring Clip, Shifter	75	710-0514	Screw, 3/8-16, 1.00
27	732-0716	Spring, Extension, .59 OD x 4.00	76	710-0604A	Screw, 5/16-18, .625
28	732-0963	Spring, Extension, .50 Dia x 6.37	77	710-3290	Screw, 3/8-16, 1.12
29	736-0169	Washer, Lock, 3/8	78	712-0130	Nut, Lock, 3/8-16, Nylon
30	710-0224	Screw, #10-16, .50	79	725-1644	Switch Spring, Short
31	738-0372B	Spacer, Shoulder, 1.00 x .38 x .38	80	726-0320	Plate, Insulator
32	747-04146	Rod, Shift	81	750-04294	Spacer, Shoulder
33	747-04164	Rod, Brake	82	756-0116A	Pulley, V-Type, 3.06
34	747-1127	Idler Rod, Adjustable, 3/8	83	656-04015	Pulley Assembly, Variable Speed
35	748-0334	Spacer, .68	84	683-04129	Bracket, Pulley
36	750-0566A	Spacer, .260 x .372 x 1.030	85	710-0627	Screw, 5/16-24, .750
37	754-0467	Belt, V-Type	86	710-0642	Screw, 1/4-20, .750
38	754-0468	Belt, V-Type	87	718-04012	Cup, Bearing
39	756-04002	Pulley, V-Type, 7.25 Dia.	88	736-0362	Washer, Flat
40	756-0981B	Idler Pulley, Flat 2.75 OD	89	741-0600	Ball Bearing
41	783-04283	Bracket, Shift	90	783-04707	Switch Bracket, Parking Brake
42	783-04360	Bracket, Shift, F-N-R	91	736-0242	Washer, Bell, .340 x .872 x .060
43	783-04442	Idler Bracket, Center Double	92	634-0104	Wheel Assembly Complete, 20 x 8 x 8 (Models w/ 46" Deck)
44	647-0031B	Control Assembly, Brake		634-0177	Wheel Assembly Complete, 20 x 10 x 8 (Models w/ 50" Deck)
45	647-0032A	Control Assembly, Speed		734-1730	Tire Only 20 x 8 x 8 (Models w/ 46" Deck)
46	683-0266	Pedal Assembly		734-1873	Tire Only 20 x 10 x 8 (Models w/ 50" Deck)
47	710-0650	Screw, 5/16-18, 0.875		634-0070	Rim Only w/ Valve Stem (All Models)
48	710-1260A	Screw, 5/16-18, 0.750			
49	710-1611B	Screw, 5/16-18, 0.750			

NOTE: Tractor features vary by model. NOT all parts listed above and pictured on the previous page are standard equipment.

Model Series 606

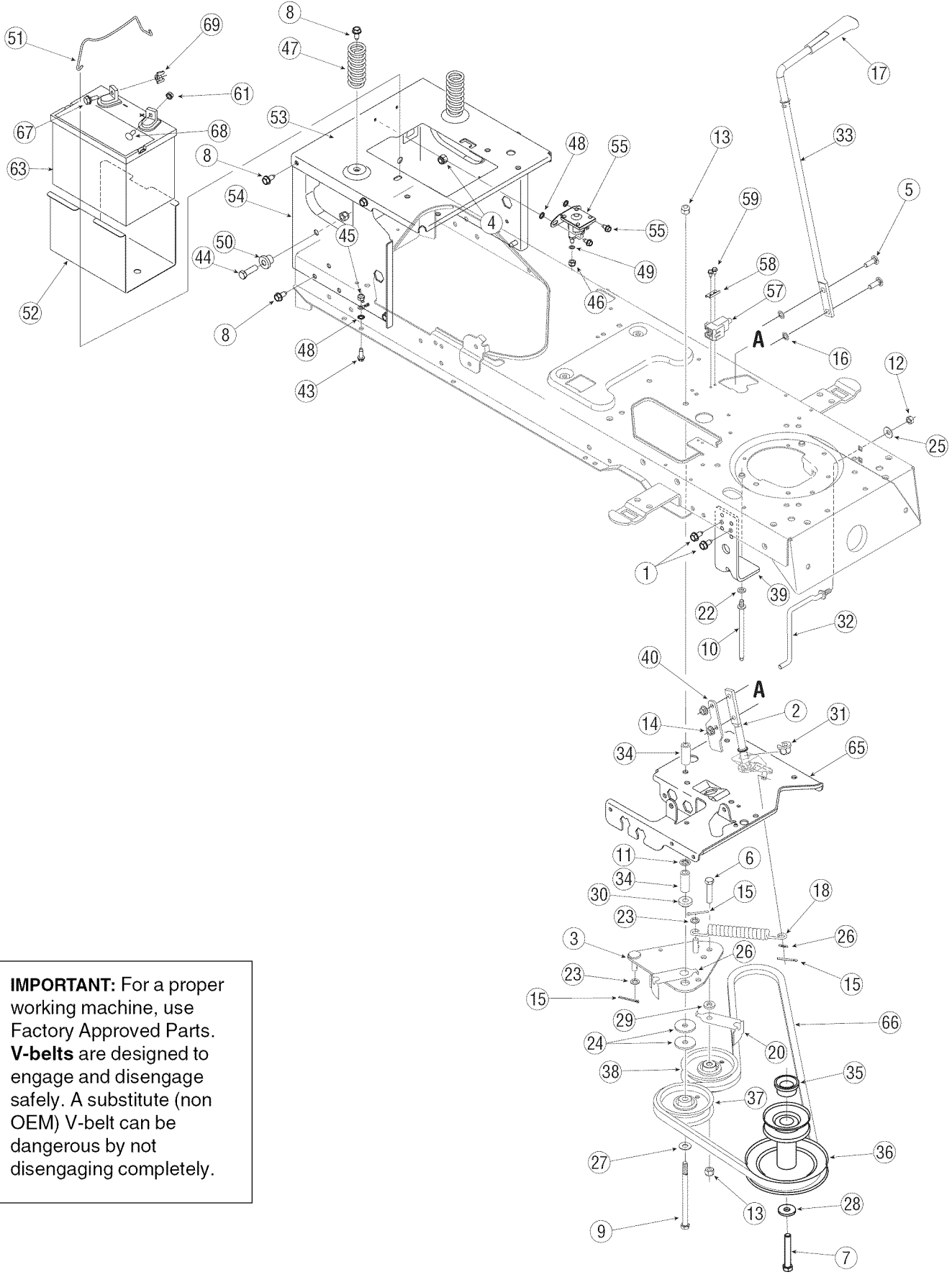


Model Series 606

REF. NO.	PART NO.	DESCRIPTION
1	710-0726	Screw, 5/16-12, 0.75
2	710-0859	Screw, 3/8-16, 2.50, Gr5
3	710-3157A	Screw, 7/16-20, 3.25, Gr5, Lock
4	712-04065	Nut, Flange Lock, 3/8-16, GrF, Nylon
5	717-04174	PTO Clutch, Electric
6	736-0277	Washer, Flat, 1.031 x 1.620 x .095
7	748-0415B	Spacer, .385 ID x .635 OD x 1.54
8	756-0639A	Pulley, Engine, 3.56 Diameter
9	783-04419A	Clutch Bracket
10	783-04467	Deck Bracket, Up-Stop
11	710-0703	Screw, Carriage, 1/4-20, .75, Gr5
12	712-0271	Nut, Sems, 1/4-20
13	712-3087	Nut, Wing, 1/4-20
14	725-1750A	Battery, 235 CCA
15	738-1132	Screw, Shoulder, .250 x .150, 1/4-20
16	683-04173	Frame Assembly, Lower
17	710-0607	Screw, 5/16-18, 0.500
18	710-0642	Screw, 1/4-20, 0.750
19	710-3005	Screw, 3/8-16, 1.25, Gr5
20	712-04064	Nut, Flange Lock, 1/4-20, GrF, Nylon
21	712-3006	Nut, Hex, 1/4-20, Gr5
22	732-04035	Spring, Compression, 1.28 OD x 3.125
23	736-0222	Washer, Lock, 1/4, External
24	736-0329	Washer, Lock, 1/4
25	738-04058	Spacer, Shoulder, .38 x 1.0 x .70
26	747-04121A	Hold Rod, Battery
27	783-0349	Battery Tray
28	783-04329A	Seat Bracket, Frame
29	783-04375A	Frame, Upper
30	710-0599	Screw, 1/4-20, 0.50
31	725-1426	Solenoid, 12V, 100 Amp
32	738-1132	Screw, Shoulder, .250 x .15, 1/4-20
33	710-0703	Screw, Carriage, 1/4-20, .75
34	712-3087	Nut, Wing, 1/4-20
35	783-04612	Support Bracket, Steering

NOTE: Tractor features vary by model. NOT all parts listed above and pictured on the previous page are standard equipment.

Model Series 606



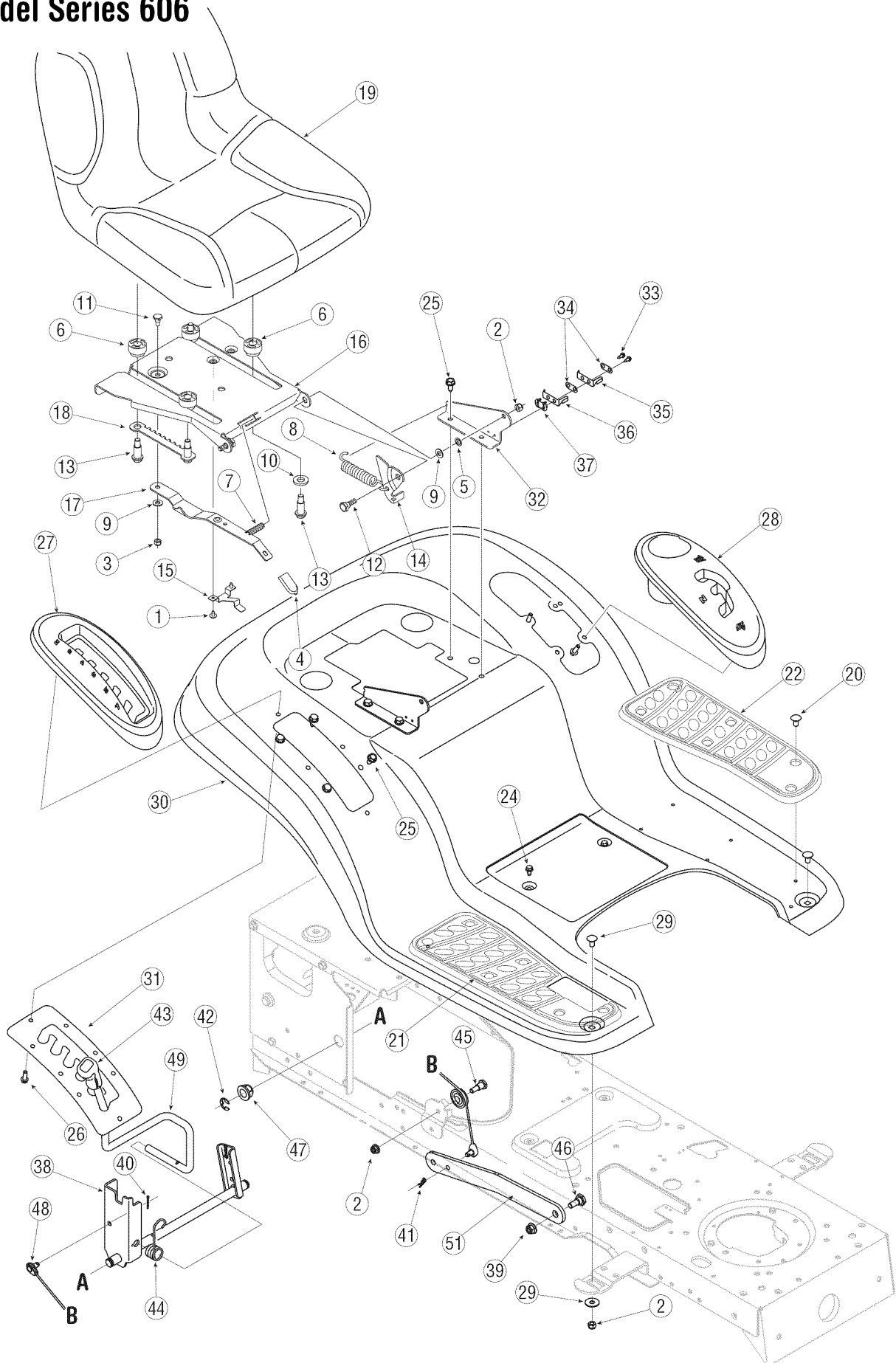
IMPORTANT: For a proper working machine, use Factory Approved Parts. **V-belts** are designed to engage and disengage safely. A substitute (non OEM) V-belt can be dangerous by not disengaging completely.

Model Series 606

REF. NO.	PART NO.	DESCRIPTION	REF. NO.	PART NO.	DESCRIPTION
1	17962	Plate, Switch	36	756-04142	Pulley, Engine, 3.39 x 6.12 Diameter
2	647-0064	Lever Assembly, Engagement	37	756-0487	Pulley, Idler, V-type 5/8 x 4.0 Diameter
3	683-0302	Plate Assembly, Engagement	38	756-0627D	Pulley, Idler, 3.50 Diameter
4	710-0224	Screw, #10-16, 0.500	39	783-04467	Stop Bracket, Deck-Up
5	710-0276	Screw, Carriage, 5/16-18, 1.00	40	783-0744A	Stop Bracket, Engagement
6	710-0347	Screw, 3/8-16, 1.75, Gr5	41	683-04173	Frame Assembly, Lower
7	710-04377	Screw, 7/16-20, 2.75, Gr5	42	710-0607	Screw, 5/16-18, 0.500
8	710-0726	Screw, 5/16-12, 0.750	43	710-0642	Screw, 1/4-20, 0.750
9	710-0831	Screw, 3/8-16, 5.50, Gr5	44	710-3005	Screw, 3/8-16, 1.25, Gr5
10	711-1428	Pin, Belt Guard, 5/16 x 5.80	45	712-04064	Nut, Flange Lock, 1/4-20, GrF, Nylon
11	712-0229	Nut, Push, 3/8	46	712-3006	Nut, Hex, 1/4-20, Gr5
12	712-04063	Nut, Flange Lock, 5/16-18, GrF, Nylon	47	732-04035	Spring, Compression, 1.28 OD x 3.125
13	712-04065	Nut, Flange Lock, 3/8-16, GrF, Nylon	48	736-0222	Washer, Lock, 1/4, External
14	712-3004A	Nut, Flange Lock, 5/16-18, Gr5	49	736-0329	Washer, Lock, 1/4
15	714-0470	Pin, Cotter, 1/8 x 1.25	50	738-04058	Spacer, Shoulder, .38 x 1.0 x .70
16	726-0201	Nut, Speed, .3125 ID	51	747-04121A	Hold Rod, Battery
17	731-2111A	Knob, PTO	52	783-0349	Battery Tray
18	732-0991A	Belt Guard	53	783-04329A	Seat Bracket, Frame
19	732-0944	Spring, Extension, .75 OD x 6.75	54	783-04375A	Frame, Upper
20	732-1013	Belt Guard	55	710-0599	Screw, 1/4-20, 0.50
21	736-0108	Washer, Flat, .510 x .750 x .033	56	725-1426	Solenoid, 12V, 100 Amp
22	736-0119	Washer, Lock, 5/16	57	725-04039	Switch, Interlock
23	736-0140	Washer, Flat, .385 x .62 x .063	58	17962	Plate, Switch
24	736-0227	Washer, Flat, .390 x 1.500 x .134	59	710-0224	Screw, #10-16, .50
25	736-0242	Washer, Bell, .340 x .872 x .060	60	710-0703	Screw, Carriage, 1/4-20, .75, Gr5
26	736-0275	Washer, Flat, .344 x .688 x .065	61	712-0271	Nut, Sems, 1/4-20
27	736-0300	Washer, Flat, .406 x .875 x .059	62	712-3087	Nut, Wing, 1/4-20
28	736-0322	Washer, Flat, .450 x 1.250 x .164	63	725-1750A	Battery, 235 CCA
29	736-3010	Washer, Flat, .407 x .812 x .135	64	738-1132	Screw, Shoulder, .250 x .150, 1/4-20
30	738-0372B	Spacer, Shldr, 1.00 x .38 x .38	65	783-04612	Support Bracket, Steering
31	741-0708	Bearing, Flange, Hex Split .500 ID	66	754-04064	V-Belt, PTO
32	747-04355	Keeper Rod, Belt	67	738-1132	Screw, Shoulder, .250 x .15, 1/4-20
33	747-1112D	Engagement Handle, Deck	68	710-0703	Screw, Carriage, 1/4-20, .75
34	748-0415B	Spacer, .385 ID x .635 OD x 1.54	69	712-3087	Nut, Wing, 1/4-20
35	750-0956	Spacer, 1.010 x 1.400 x .825			

NOTE: Tractor features vary by model. NOT all parts listed above and pictured on the previous page are standard equipment.

Model Series 606

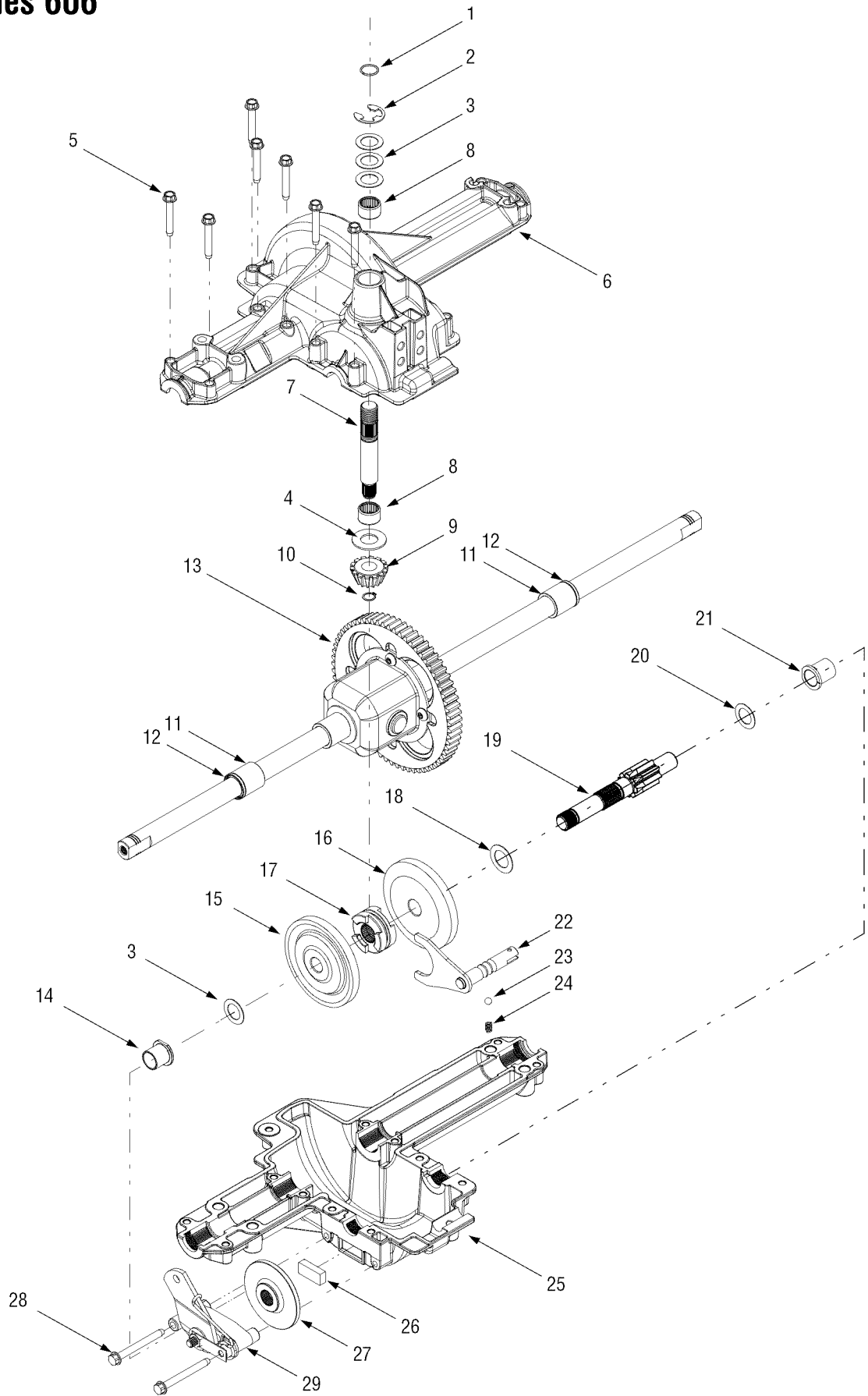


Model Series 606

REF. NO.	PART NO.	DESCRIPTION
1	710-1268	Screw, #10-16 x .375
2	712-04063	Nut, Flange Lock, 5/16-18, GrF, Nylon
3	712-3027	Nut, Flange Lock, 1/4-20
4	720-0309A	Seat Adjuster Grip
5	726-0201	Nut, Speed, .3125 ID
6	731-04074	Spacer
7	732-0499	Compression Spring, .41 x 1.5
8	732-1184	Spring, Extension, .84 Dia. x 4.6
9	736-0275	Wash, Flat, .344 x .688 x .065
10	736-3019	Wash, Flat, .531x 1.062 x.134
11	738-0137A	Screw, Shoulder, .340 x .285, 1/4-20
12	738-0296	Screw, Shoulder, .437 x .268, 5/16-18
13	738-0966	Screw, Shoulder, .50 x .925, 3/8-16
14	783-0209C	Seat Bracket, Lift
15	783-0611	Seat Stop
16	783-0738B	Seat Pivot Bracket
17	783-0739A	Seat Adjustment Lever
18	783-0753	Seat Adjustment Selector
19	757-04003	High Back Seat, Black
20	726-3046	Ratchet Clip
21	735-0656	RH Foot Pad, Rubber
22	735-0657	LH Foot Pad, Rubber
23	710-0260A	Bolt, Carriage, 5/16-18, .62, Gr1
24	710-0599	Screw, 1/4-20, 0.500
25	710-0726	Screw, 5/16-12, 0.750
26	710-0895	Screw, 1/4-15, 0.750
27	731-1990	Cover, Lift Lever
28	731-2104C	Cover, w/ Cup Holder
29	736-3078	Washer, Flat, .344 x 1.0 x .063
30	783-04333A	Fender
31	783-0677	Adjustment Bracket, Lift
32	783-1489A	Mounting Bracket, Seat
33	710-0227	Screw, #8-18 x .50
34	726-0279	Plate, Insulator
35	725-1303	Spring Switch, Inner
36	725-1439	Spring Switch, Outer
37	726-0278	Plate, Insulator Boss
38	683-04079	Shaft Assembly, Lift
39	712-04065	Nut, Flange Lock, 3/8-16, GrF, Nylon
40	714-0104	Pin, Cotter, .072 Dia. x 1.13
41	714-0111	Pin, Cotter, 3/32, 1.0
42	716-0106A	Ring, E Type, .625 Dia.
43	720-0311	Grip, Handle, 1/2
44	732-0874	Spring, Torsion
45	738-0138a	Screw, 5/16-18 x .620 Gr2
46	738-0380	Screw, Shoulder, .50 x .27, 3/8-16
47	741-0225	Bearing, Hex Flange
48	746-0968	Cable, Lift, 16.16
49	747-04155	Handle, Lift
50	756-1154	Pulley, Roller
51	783-0678A	Arm, Lift

NOTE: Tractor features vary by model. NOT all parts listed above and pictured on the previous page are standard equipment.

Model Series 606



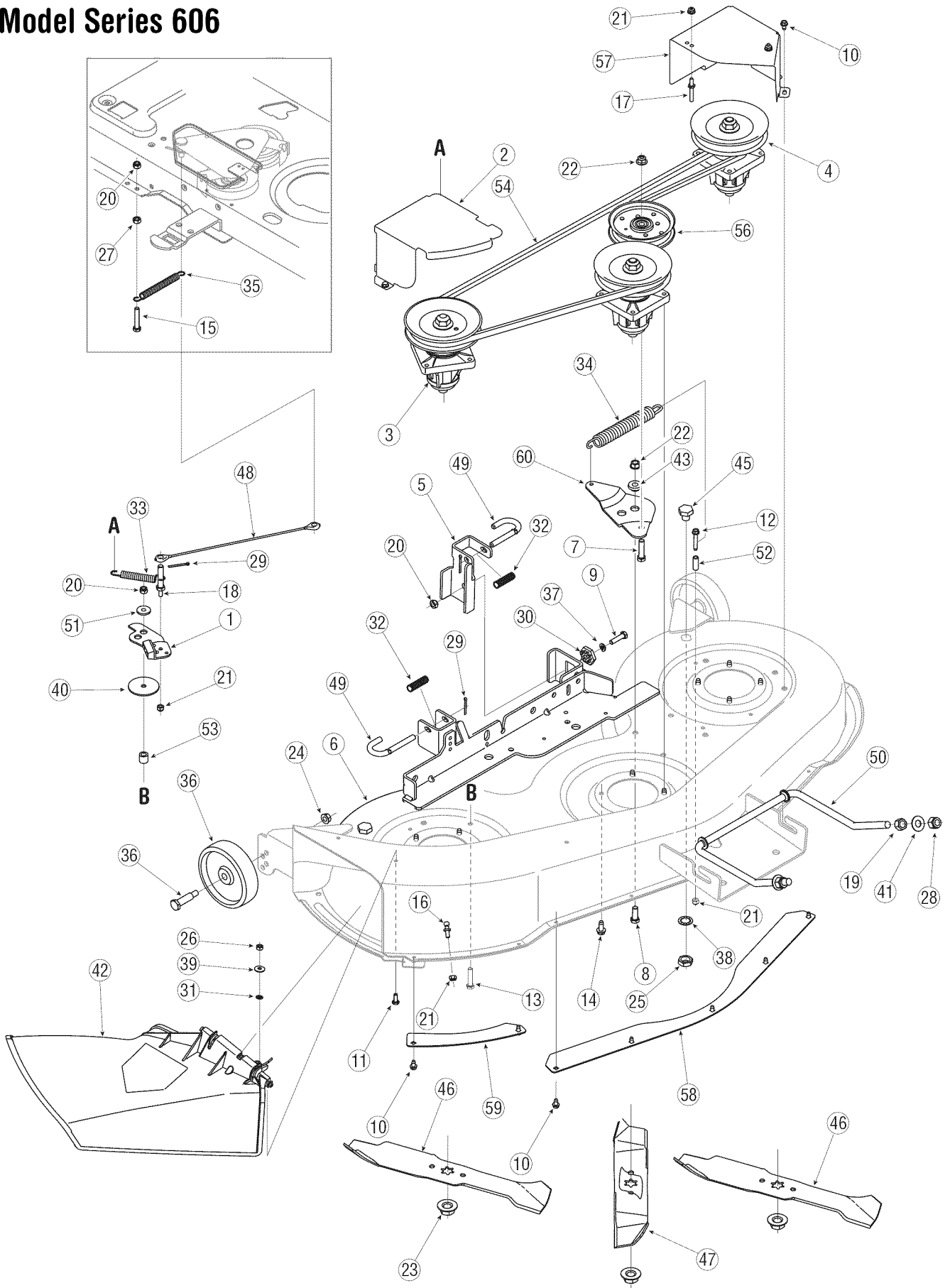
Model Series 606

REF. NO.	PART NO.	DESCRIPTION
1	732-0614	Ring, Wire
2	716-0231	Ring, E Type, .750
3	736-0336	Flat Washer, 5/8 x 1.0 x .030*
	736-0337	Flat Washer, 5/8 x 1.0 x .040*
	736-0349	Flat Washer, 5/8 x 1.0 x .020*
4	736-0335	Washer, Thrust .635 x 1.26 x .06
5	710-1325	Self-tapping Screw, 1/4-20 x 1.625
6	719-04017	Upper Housing
7	711-1109	Input Shaft
8	741-0335	Needle Bearing, .625 x .813 x .495
9	717-1464	14-tooth Bevel Pinion
10	716-0108	Retaining Ring, .437
11	741-0340	Sleeve Bearing, .75 x 1.0 x 1.0
12	721-0338	Seal, .75 x 1.0 x .125
13	618-04041	Differential Assembly
14	741-0336	Flange Bearing, 5/8 x 3/4 x 3/4
15	717-1362	42-tooth Bevel Gear
16	717-1363	42-tooth Bevel Gear
17	718-0228	Clutch Collar
18	736-0519	Flat Washer, .70 x 1.125 x .031
19	711-04053	Drive Shaft
20	736-0495	Thrust Washer, 1.0 x .632 x .0
21	741-0337	Flange Bearing, 5/8 x 3/4 x 15/16
22	611-0011	Detent Shaft Assembly
23	741-0862	Detent Ball
24	732-0863	Compression Spring
25	719-04018	Lower Housing
26	717-0678	Brake Puck
27	761-0202	Brake Disc
28	710-1206	Self-tapping Screw, 1/4-20 x 2.375
29	661-0001	Brake Assembly
—	737-0148	Grease (19 oz.)

*Use applicable flat washer (12a, 12b or 12c) in this application allowing .0150/.0020 in. end-play

NOTE: If rebuilding the upper housing, include two ounces (2 oz.) of Unirex[®] N3 grease (Part No. 737-0289) in the input shaft cavity.

Model Series 606



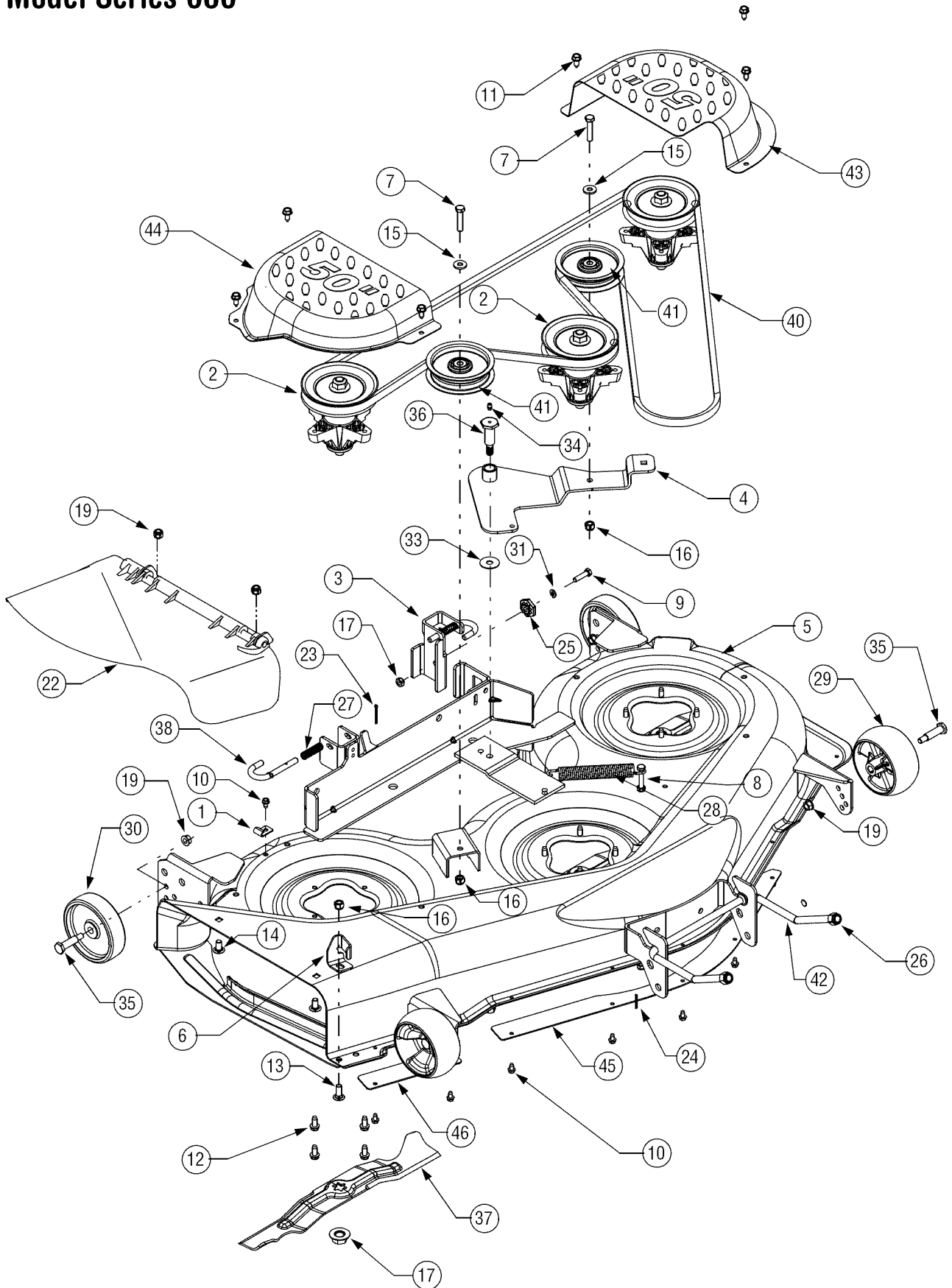
Model Series 606

REF. NO.	PART NO.	DESCRIPTION	REF. NO.	PART NO.	DESCRIPTION
1	17116	Brake Assembly, Deck	32	732-0306A	Spring, Compression, .531 OD x 1.75
2	17258D	RH Belt Cover, Deck 46"	33	732-0429A	Spring, Extension, .50 Dia x 3.97
3	618-0240A	Spindle Assembly, 5.00 Dia.	34	732-0594A	Spring, Extension, .91 Dia x 7.33
4	618-04134A	Spindle Ass'y, Double Pulley	35	732-1165	Spring, Extension, .50 Dia x 5.0
5	683-0254B	Hanger Bracket Assembly	36	734-0973	Wheel, Deck 5.0 x 1.38
6	683-04104A	Deck Weldment	37	736-0119	Washer, Lock, 5/16
7	710-0344	Screw, 3/8-16, 1.50, Gr5	38	736-0225	Washer, Lock, 5/8
8	710-0514	Screw, 3/8-16, 1.00, Gr5	39	736-0270	Washer, Bell, .265 x .75 x .062
9	710-0528	Screw, 5/16-18, 1.25, Gr5	40	736-0418A	Washer, Flat, .34 x 2.25 x .10
10	710-0599	Screw, 1/4-20, 0.500	41	736-3084	Washer, Flat, .51 x 1.12 x .06
11	710-0751	Screw, 1/4-20, .620, Gr5	42	731-1032B	Chute Assembly
12	710-0778	Screw, 1/4-20, 1.500	43	738-0347	Spacer, Shoulder, .625 ID x .169
13	710-0805	Screw, 5/16-18, 1.50, Gr5	44	738-0373	Spacer, Shoulder, .498 x 1.53, 3/8-16
14	710-1260A	Screw, Ld, 5/16-18, 0.750	45	738-04146	Plug, Screw, M16 x 1.5
15	710-3180	Screw, 5/16-18, 1.75, Gr5	46	742-0611A	Blade, 16.28", Star 3-in-One
16	711-04069	Pin, Grasscatcher, 1/4-20	47	742-0612A	Blade, 14.88", Star 3-in-One
17	711-0993	Belt Guard Pin 1/4 Dia x 1.43	48	746-1107	Cable, 12.00"
18	711-1554	Pin, 1/4-20, 3/8 x 2.0	49	747-1116	Rod, Deck Release
19	712-0206	Nut, Hex, 1/2-13, Gr5	50	747-1130B	Rod, Deck
20	712-04063	Nut, Flange Lock, 5/16-18, GrF, Nylon	51	748-0234	Shoulder Spacer
21	712-04064	Nut, Flange Lock, 1/4-20, GrF, Nylon	52	750-0566A	Spacer, .260 x .372 x 1.030
22	712-04065	Nut, Flange Lock, 3/8-16, GrF, Nylon	53	750-1320	Spacer, .375 x .63 x .595
23	712-0417A	Nut, Flange, 5/8-18	54	754-0349	Belt, V-Type, Poly
24	712-0431	Nut, Flange Lock, 3/8-16, GrF	55	754-04064	Belt, V-Type
25	712-0641	Nut, Hex, M16-1.5	56	756-04129	Pulley, Idler, 4.25" Dia.
26	712-3006	Nut, Hex, 1/4-20, Gr5	57	783-1348B	Belt Cover, LH
27	712-3010	Nut, Hex, 5/16-18, Gr5	58	783-0141	Deck Skirt, Center
28	712-3083	Nut, Hex Lock, 1/2-13, Gr8, Nylon	59	783-0142	Deck Skirt, RH
29	714-0470	Pin, Cot, 1/8 x 1.25	60	783-04641	Bracket, Idler
30	717-04074	Adjustment Gear, Deck	61	783-1025	Stop, Chute
31	726-0233	Nut, Push, .25 ID x .50 OD			

IMPORTANT: For a proper working machine, use Factory Approved Parts. **V-belts** are designed to engage and disengage safely. A substitute (non OEM) V-belt can be dangerous by not disengaging completely.

NOTE: Tractor features vary by model. *NOT* all parts listed above and pictured on the previous page are standard equipment.

Model Series 606



Model Series 606

REF. NO.	PART NO.	DESCRIPTION	REF. NO.	PART NO.	DESCRIPTION
1	16606	Hook, Retainer	24	714-3004	Pin, Cotter, 3/32 x 1.25
2	618-04125	Spindle Assembly	25	717-04074	Deck Adjustment Gear
3	683-0254B	Hanger Bracket Assembly	26	712-3083	Lock Nut, Hex, 1/2-13, Nylon
4	683-04098	Idler Bracket	27	732-0306A	Spring, Compression, .531 x 1.75
5	683-04075	Weldment, 50-inch Deck	28	732-0459B	Spring, Extension, .94 x 6.74
6	703-3279	Chute Stop	29	734-04039	Deck Wheel, 5.0
7	710-0347	Screw, 3/8-16, 1.75	30	734-0973	Deck Wheel, 5.0
8	710-3103	Screw, 5/16-18 x 2.00	31	736-0119	Washer, Lock, 5/16, Regular Duty
9	710-0528	Screw, 5/16-18, 1.25, Gr5	32	736-0407	Washer, Bell, .45 x 1.0 x .062
10	710-0599	Screw, 1/4-20 x 0.5	33	736-0406	Washer, Flat, .442 x 1.38 x .060
11	710-0726	Screw, 5/16-18 x .625	34	737-3000	Fitting, Lube, 3/16
12	710-1260A	Screw, 5/16-18 x .75	35	738-0373	Shoulder Screw
13	710-3168	Screw, Carriage, 3/8-16 x 1.0	36	738-3005	Screw, Shoulder, .68 x 1.59
14	710-3178	Screw, Carriage, 3/8-16 x .75	37	742-04053A	Blade
15	736-0300	Washer, Flat, .406 x .875 x .059	38	747-1116	Rod, Handle, Deck Release .375 Dia
16	712-04065	Nut, Nylon Lock, 3/8-16	39	750-0151	Spacer, .550 x .755 x 1.1
17	712-0417A	Nut, Hex, Flange, 5/8-18	40	754-04048	Belt, V-Type, Aramid
18	712-04063	Nut, Nylon Lock, 5/16-18	41	756-04129	Pulley, Idler, 3.5"
19	712-0431	Nut, Flange Lock, 3/8-16	42	747-1324	Rod, Deck Adjustment
20	712-3010	Nut, Hex, 5/16-18, Gr5	43	783-04399	LH Belt Cover
21	712-3019	Nut, 7/16-14	44	783-04400	RH Belt Cover
22	631-04070	Chute Assembly, Side Discharge	45	783-04414	Deck Skirt, Center
23	714-0470	Pin, Cotter, 1/8 x 1.25	46	783-04415	Deck Skirt, RH

IMPORTANT: For a proper working machine, use Factory Approved Parts. **V-belts** are designed to engage and disengage safely. A substitute (non OEM) V-belt can be dangerous by not disengaging completely.

NOTE: Tractor features vary by model. *NOT* all parts listed above and pictured on the previous page are standard equipment.

NOTES

NOTES

MANUFACTURER'S LIMITED WARRANTY FOR:



The limited warranty set forth below is given by MTD LLC with respect to new merchandise purchased and used in the United States, its possessions and territories.

“MTD” warrants this product against defects in material and workmanship for a period of two (2) years commencing on the date of original purchase and will, at its option, repair or replace, free of charge, any part found to be defective in materials or workmanship. This limited warranty shall only apply if this product has been operated and maintained in accordance with the Operator’s Manual furnished with the product, and has not been subject to misuse, abuse, commercial use, neglect, accident, improper maintenance, alteration, vandalism, theft, fire, water, or damage because of other peril or natural disaster. Damage resulting from the installation or use of any part, accessory or attachment not approved by MTD for use with the product(s) covered by this manual will void your warranty as to any resulting damage.

Normal wear parts are warranted to be free from defects in material and workmanship for a period of thirty (30) days from the date of purchase. Normal wear parts include, but are not limited to items such as: batteries, belts, blades, blade adapters, grass bags, rider deck wheels, seats, snow thrower skid shoes, shave plates, auger spiral rubber and tires.

HOW TO OBTAIN SERVICE: Warranty service is available, WITH PROOF OF PURCHASE, through your local authorized service dealer. To locate the dealer in your area, check your Yellow Pages, or contact MTD LLC at P.O. Box 361131, Cleveland, Ohio 44136-0019, or call 1-800-800-7310 or 1-330-220-4683 or log on to our Web site at www.mtdproducts.com.

This limited warranty does **not** provide coverage in the following cases:

- a. The engine or component parts thereof. These items may carry a separate manufacturer’s warranty. Refer to applicable manufacturer’s warranty for terms and conditions.
- b. Log splitter pumps, valves, and cylinders have a separate one year warranty.
- c. Routine maintenance items such as lubricants, filters, blade sharpening, tune-ups, brake adjustments, clutch adjustments, deck adjustments, and normal deterioration of the exterior finish due to use or exposure.
- d. Service completed by someone other than an authorized service dealer.

- e. MTD does not extend any warranty for products sold or exported outside of the United States, its possessions and territories, except those sold through MTD’s authorized channels of export distribution.
- f. Replacement parts that are not genuine MTD parts.
- g. Transportation charges and service calls.

No implied warranty, including any implied warranty of merchantability of fitness for a particular purpose, applies after the applicable period of express written warranty above as to the parts as identified. No other express warranty, whether written or oral, except as mentioned above, given by any person or entity, including a dealer or retailer, with respect to any product, shall bind MTD. During the period of the warranty, the exclusive remedy is repair or replacement of the product as set forth above.

The provisions as set forth in this warranty provide the sole and exclusive remedy arising from the sale. MTD shall not be liable for incidental or consequential loss or damage including, without limitation, expenses incurred for substitute or replacement lawn care services or for rental expenses to temporarily replace a warranted product.

Some states do not allow the exclusion or limitation of incidental or consequential damages, or limitations on how long an implied warranty lasts, so the above exclusions or limitations may not apply to you.

In no event shall recovery of any kind be greater than the amount of the purchase price of the product sold. **Alteration of safety features of the product shall void this warranty.** You assume the risk and liability for loss, damage, or injury to you and your property and/or to others and their property arising out of the misuse or inability to use the product.

This limited warranty shall not extend to anyone other than the original purchaser or to the person for whom it was purchased as a gift.

HOW STATE LAW RELATES TO THIS WARRANTY: This limited warranty gives you specific legal rights, and you may also have other rights which vary from state to state.

IMPORTANT: Owner must present Original Proof of Purchase to obtain warranty coverage.

MTD LLC, P.O. BOX 361131 CLEVELAND, OHIO 44136-0019; Phone: 1-800-800-7310, 1-330-220-4683