



# ASSEMBLY INSTRUCTIONS

## INSTRUCCIONES DE ARMADO



*Please contact us before returning the product to the store.*  
Toll Free: 877-852-8164

*Por favor póngase en contacto con nosotros antes de devolver el producto a la tienda.*  
Número telefónico gratis: 877-852-8164

MODEL/MODELO: 18407

# LIMITED 90 DAYS WARRANTY

This product is covered by a limited warranty that is effective for 90 days from the date of purchase. The warranty covers any defects in parts and workmanship.

This Limited Warranty gives you specific legal rights and you may also have other rights which vary from one state (province) to another.

If, during the limited warranty period, a part is found to be defective or breaks, we will offer replacement part at no cost to you, the customer. The only exceptions to the warranty include main frames, tabletops, playing surfaces, batteries or tools.

The above warranty will not apply in cases of damages due to improper usage, alteration, misuse, abuse, accidental damage or neglect.

**Attention:** Since you build all tables upside down, please inspect table tops and playing surfaces right away before putting together.

## **“PLEASE SAVE THESE INSTRUCTIONS AND PURCHASE RECEIPT!”**

A PURCHASE RECEIPT (or other proof of purchase date) will be required before any warranty service is initiated. All requests for warranty service can be submitted by email, in writing or by contacting our Consumer service Department at:

**TOLL FREE: 877-852-8164**

**WEBSITE: [www.medalsports.com.tw](http://www.medalsports.com.tw)**

*\*Please do not call our 800 NUMBER as well as email us. This will result in duplicate orders and charges will occur.*

*\*Please note that all damaged table tops need to be returned to the store. We do not replace any tabletops or playing surfaces.*

**PLEASE CONTACT US BEFORE RETURNING THE  
PRODUCT TO THE STORE. THANK YOU VERY MUCH!**

**IMPORTANT NOTICE!** Please contact us before returning the product to the store.

Please Keep Your Instructions! Your Model number is necessary should you need to contact us. Please read through this instruction manual book to familiarize yourself with all parts and assembly steps. Kindly refer to the parts identifier below and be sure that all parts have been included.

Although we are dedicated to giving our customers the best product possible, a question may arise or parts may be missing. If you are missing parts, or, if you have any questions, please contact our fast and friendly service centre on: **877-852-8164**

**TOOLS REQUIRED:**

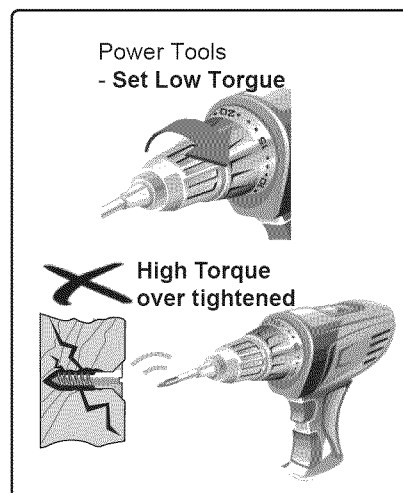
Phillips Screwdriver – **Not Included**

Standard (Flat Head Screwdriver) – **Not Included**

Allen Wrench - **Included**

**CAUTION !**

Electric Screwdrivers may be helpful during assembly; however, please set a low torque and use extreme caution.



**ASSEMBLY TIPS:**

- 1 - Please read the instructions carefully, and follow all assembly, operation or safety instructions properly in order to avoid damage or injury. For the assembly, at least two adults are required.
- 2 - Some figures or drawings may not look exactly like your product. Please read and understand the text before beginning each assembly step.

**NOTICE!:**

- 1 - This product is intended for INDOOR use only.
- 2 - Please Do Not sit, climb or lean on the game table.
- 3 - Please Do Not drag the table when moving it in order to avoid the damaged on the legs.
- 4 - Please only use spray furniture polish to clean the exterior surfaces on the game table.
- 5 - This is not a child's toy, adult supervision is required for children playing this game.



**WARNING:** Adult Assembly Required.



**WARNING:**

CHOKING HAZARD - - This item contains small parts or / and small balls  
Not suitable for children under 3 years.

# **IMPORTANT SAFETY INSTRUCTIONS**

## **Read all instructions**

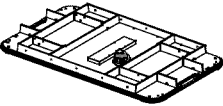

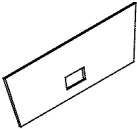
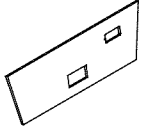
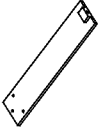

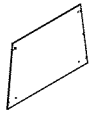
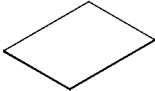
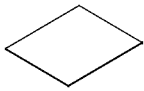
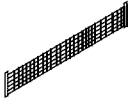


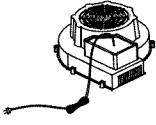

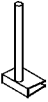
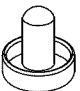


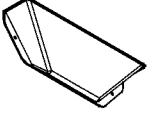
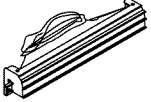
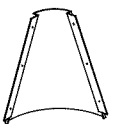


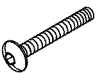

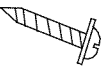
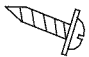

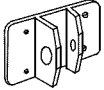
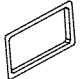
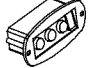
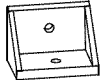
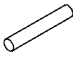

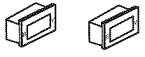
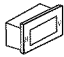


1. Read all instructions-All the safety and operating instructions should be read carefully before this hockey game is played.
2. Caution-This is not a toy and is intended for use by or under the supervision of adults. Adults should review safety guidelines with children to avoid possible risk of electric shock or other injuries.
3. Power sources-This hockey game should be operated only from 110-120V A.C., 60 cycle current as indicated on the identification label. If you are not sure of the type of power supply to your home, consult your appliance dealer or local power company.
4. Power cord protection-Power cord should be routed so that it is not likely to be walked on or pinched by items placed upon or against it. Pay particular attention to cords at plugs, convenience receptacles, and the point of exit from the game.
5. Overloading-Do not overload wall outlets and extension cords as this can result in a risk of fire or electric shock.
6. Object and liquid entry-Never push objects of any kind into this game through openings as they may touch dangerous voltage points or short-out parts which could result in a fire or electric shock. Never spill liquid of any kind on the game.
7. Ventilation-Openings in the game are provided for the exhaust air to create a cushion effect. The openings on the air blower are for the intake air. Keep clear of the air blower when it is on. Do not put hand or other objects near the intake openings. To ensure reliable operation of the game and protect it from overheating these openings must not be blocked or covered.
8. Damage requiring service-Unplug the game from the wall outlet.  
Do not attempt to service the blower yourself as opening or removing covers may expose you to dangerous voltage or other hazards. Refer servicing to qualified service personnel under the following conditions.
  - A. When the power supply cord or plug is damaged.
  - B. If liquid has spilled, or objects have fallen into the blower.
  - C. When the air blower exhibits a distinct change in performance e.g. abnormal noise, this indicates a need for service.
9. Grounding or Polarization-This game is equipped with a polarized alternating current line plug (a plug having one blade wider than the other). This plug will fit into the power outlet only one way. This is a safety feature. If you are unable to insert the plug fully into the outlet, try reversing the plug. If the plug should still fail to fit, contact your electrician to replace your obsolete outlet. Do not defeat the safety purpose of the polarized plug.
10. CAUTION-ELECTRICALLY OPERATED PRODUCT-Not recommended for children under 8 years of age. As with all electrical products, precautions should be observed during handling and use to reduce the risk of electric shock.
11. We recommend that the game be periodically examined for conditions that may result in the risk of fire, electrical shock, or injury to persons. In the event such conditions exist, the game should not be used until properly repaired.
12. **RISK OF FIRE, ELECTRIC SHOCK, OR INJURY TO PERSONS**  
WARNING-When using electric appliances, basic precautions should always be followed, including the following:
  - A) Read all the instructions before using the appliances.
  - B) To reduce the risk of injury, close supervision is necessary when an appliance is used near children.
  - C) Do not contact moving parts.
  - D) Only use attachment recommended or sold by the manufacturer.
  - E) Do not use outdoors.
  - F) For a cord-connected appliance, the following shall be included:
    - To disconnect, turn all controls to the off position, then remove plug from outlet.
    - Do not unplug by pulling on cord. To unplug, grasp the plug, not the cord.
    - Unplug from outlet when not in use and before servicing or cleaning.
    - Do not operate any appliance with a damaged cord or plug, or after the appliance malfunctions or is dropped or damaged in any manner. Return appliance to the nearest authorized service facility for examination, repair, or electrical or mechanical adjustment.
13. To reduce the risk of electric shock, this appliance has a polarized plug (one blade is wider than the other). This plug will fit in a polarized outlet only one way. If the plug does not fit fully in the outlet, reverse the plug. If it still does not fit, contact a qualified electrician to install the proper outlet. Do not change the plug in any way.

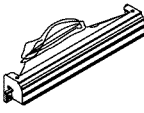
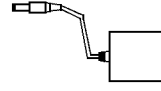

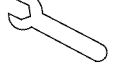


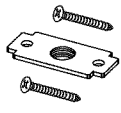

### **SAVE THESE INSTRUCTIONS**

**WARNING: To Reduce The Risk Of Fire Or Electric Shock, Do Not Use This Fan With Any Solid-State Speed Control Device.**

**For Household use only.**

# 18407 PARTS LIST

<p>1</p>  <p>Main Cabinet 1 Piece</p>	<p>2</p>  <p>Side Apron 2 Pieces</p>	<p>3</p>  <p>End Apron - A 1 Piece</p>	<p>4</p>  <p>End Apron - B 1 Piece</p>	<p>5</p>  <p>Leg - A 4 Pieces</p>
<p>6</p>  <p>Leg - B 4 Pieces</p>	<p>7</p>  <p>Leg Panel 4 Pieces</p>	<p>8</p>  <p>Table Tennis Surface - A 2 Pieces</p>	<p>9</p>  <p>Table Tennis Surface - B 1 Piece</p>	<p>10</p>  <p>Table Tennis Net 1 Piece</p>
<p>11</p>  <p>Table Tennis Paddle 2 Pieces</p>	<p>12</p>  <p>Table Tennis Ball 2 Pieces</p>	<p>13</p> <p>Pre-installed</p>  <p>Blower 1 set</p>	<p>14</p>  <p>EVA Pad 12 Pieces</p>	<p>15</p>  <p>Table Tennis Post 2 Pieces</p>
<p>16</p>  <p>Pusher 2 Pieces</p>	<p>17</p>  <p>Puck 2 Pieces</p>	<p>18</p>  <p>Felt Pad 2 Pieces</p>	<p>19</p>  <p>Goal Box 2 Pieces</p>	<p>20</p> <p>Pre-installed</p>  <p>Puck Catcher with Long Sensor Wire 1 Piece</p>
<p>21</p>  <p>Apron Corner 4 Pieces</p>	<p>22</p>  <p>5/16" x 1-1/4" Bolt 12 Pieces</p>	<p>23</p>  <p>5/16" Washer 22 Pieces</p>	<p>24</p>  <p>5/16" x 7/8" Bolt 10 Pieces</p>	<p>25</p>  <p>4 x 15mm Washer Head Screw 20 Pieces</p>
<p>26</p>  <p>3 x 15mm Washer Head Screw 40 Pieces</p>	<p>27</p>  <p>4 x 12mm Washer Head Screw 28 Pieces</p>	<p>28</p>  <p>4 x 15mm Flat Head Screw 2 Pieces</p>	<p>29</p>  <p>1/4" Nut 4 Pieces</p>	<p>30</p>  <p>U Bracket 4 Pieces</p>
<p>31</p>  <p>Leg Leveler 4 Pieces</p>	<p>32</p>  <p>Goal Cover 2 Pieces</p>	<p>33</p>  <p>Control Box 1 Piece</p>	<p>34</p> <p>Pre-installed</p>  <p>L Bracket 4 Pieces</p>	<p>35</p>  <p>Plastic Dowel 6 Pieces</p>
<p>36</p>  <p>Allen Key 1 Piece</p>	<p>37</p> <p>Pre-installed</p>  <p>Scorer Display 2 Pieces</p>	<p>38</p> <p>Pre-installed</p>  <p>Time Display 1 Piece</p>	<p>39</p> <p>Pre-installed</p>  <p>Scorer Wire 1 Piece</p>	<p>40</p> <p>Pre-installed</p>  <p>Time Wire 1 Piece</p>

<b>41</b> Pre-installed  Puck Catcher with Short Sensor Wire 1 Piece	<b>42</b> Pre-installed  Battery Box 1 Piece	<b>43</b> Pre-installed  Top Corner 4 Pieces	<b>44</b>  Wrench 1 Piece	<b>45</b>  1/4" x 1-1/4" Bolt 4 Pieces
<b>46</b>  1/4" Washer 4 Pieces	<b>5A</b> Pre-installed  Square Nut and Screw 4 Sets	<b>5B</b> Pre-installed  T - Nut 12 Pieces		



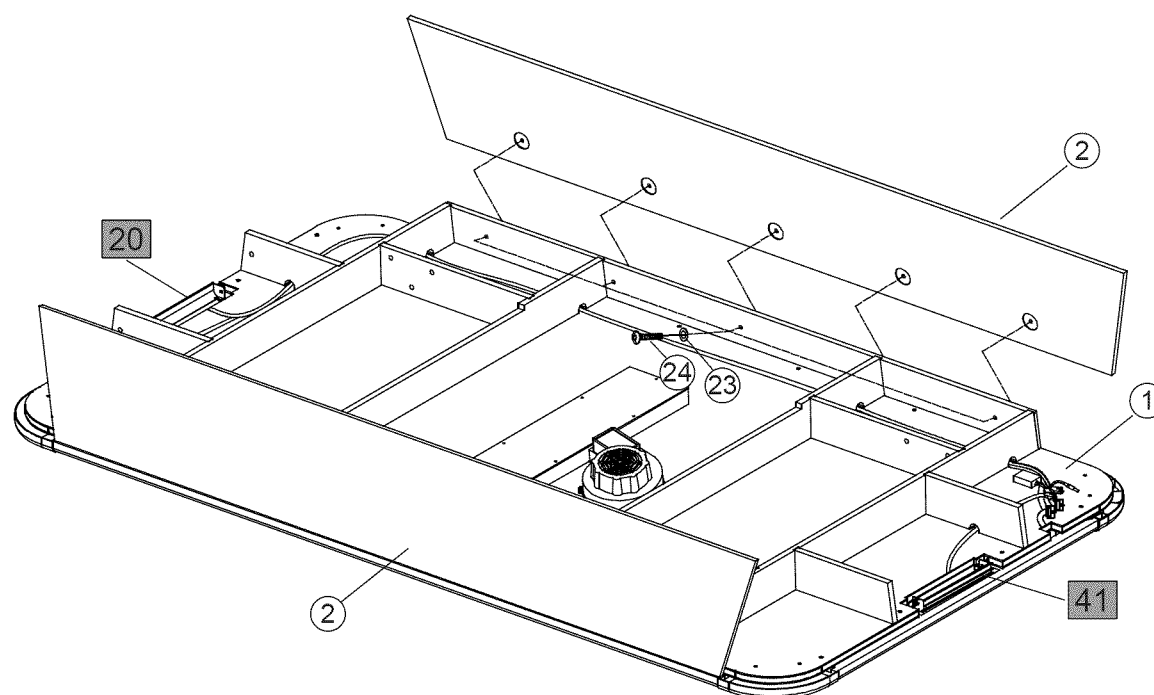
## WARNING:

- 1) Require 4pcs AA Batteries (Not included).
- 2) Do not mix old and new batteries.
- 3) Do not mix alkaline, standard (carbon zinc), or rechargeable (nickel-cadmium) batteries.

## ASSEMBLY INSTRUCTIONS

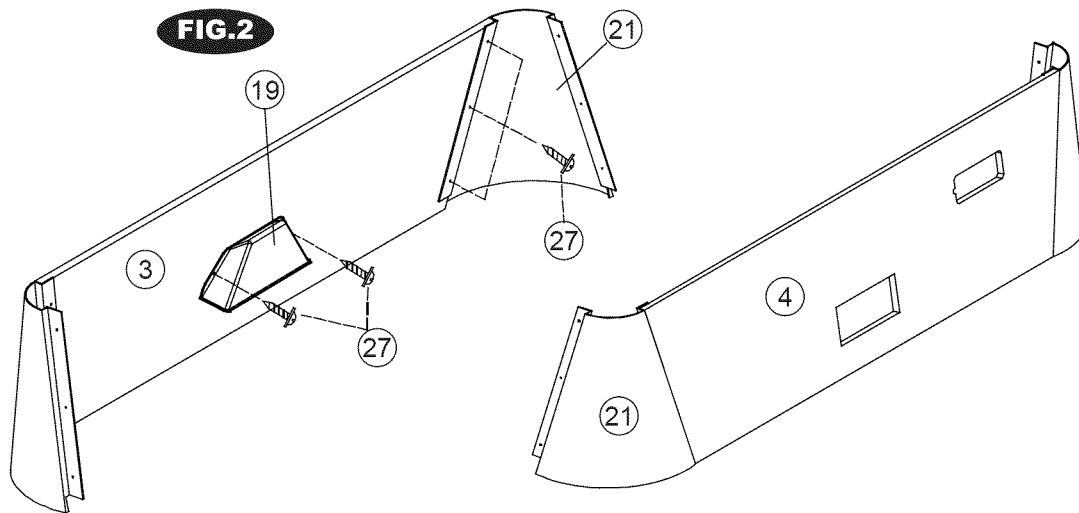
1. Find a clean, level place to begin the assembly of your Air Hockey table. The table will be assembled upside down and then turned over on its legs once the assembly completed. This game table is heavy, and tuning it over will require at least four strong adults.
2. Remove all the parts from the box and verify that you have all of the listed parts as shown on the parts list below. Carefully cut or tear the four corners of the box so that the bottom of the box can be used as your work surface.
3. Attach the Side Apron (#2) to the Main Cabinet (#1) using five Bolts (#24) and five Washers (#23) per Side Apron. See FIG.1.

**FIG.1**



4. Attach the Goal Box (#19) to the End Aprons (#3 and #4) using two Screws (#27) per Goal Box. **See FIG.2.**

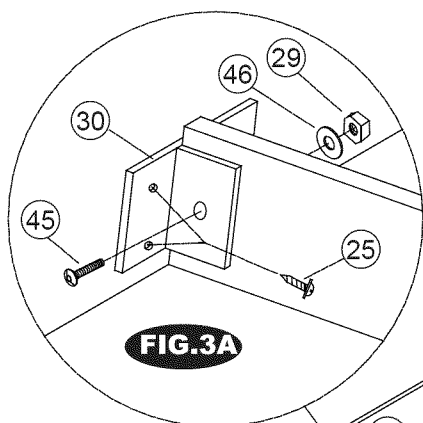
5. Attach the Apron Corner (#21) to the End Aprons (#3 and #4) using six Screws (#27) per side. **See FIG.2.**



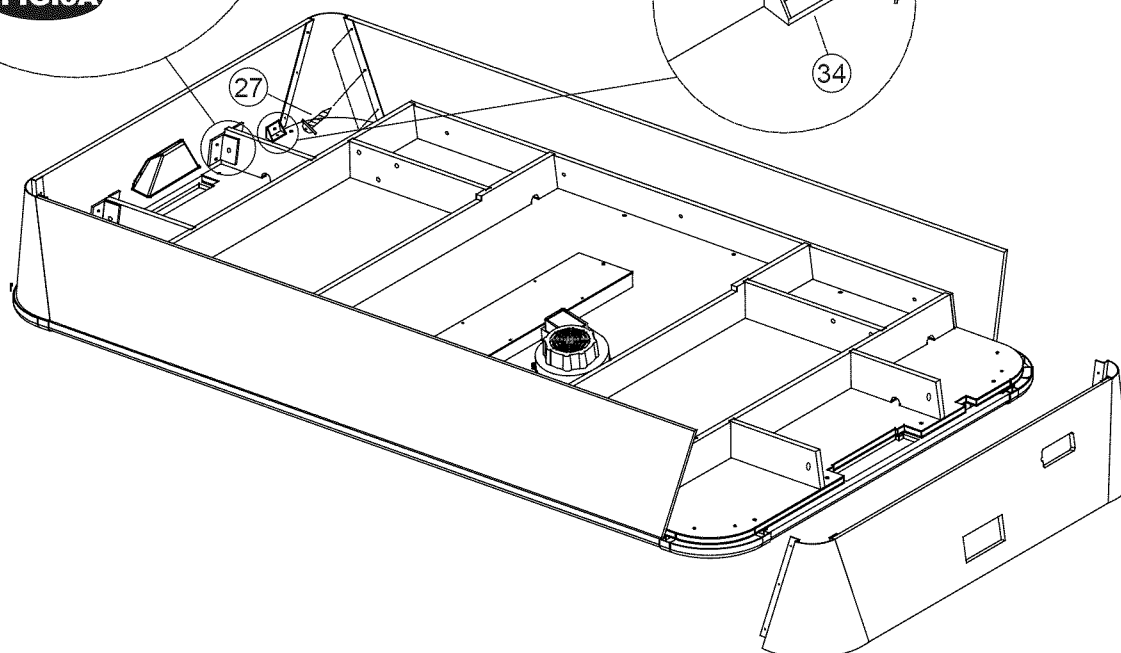
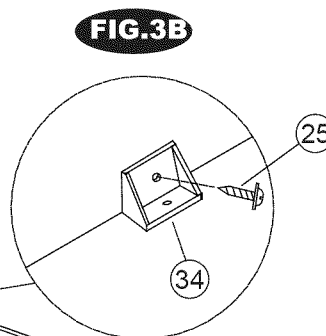
6. Attach the End Apron with Apron Corners (FIG .2 assembled) to the Main Cabinet (#1) using two U Bracket (#30), two Bolts (#45), two Washers (#46), two Nuts (#29) and eight Screws (#25) per End Apron. **See FIG.3A.**

7. Attach the L Bracket (#34) to the Main Cabinet (#1) using one Screw (#25) per L Bracket. **See FIG.3B.**

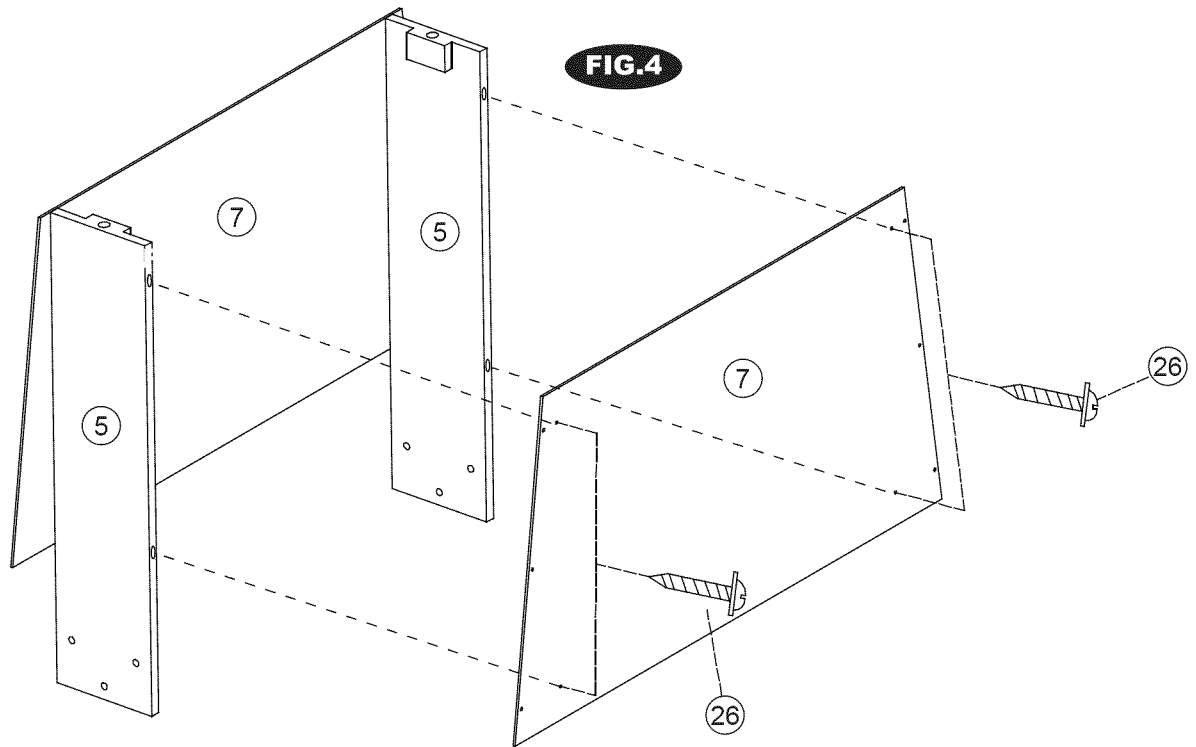
8. Attach the Apron Corner (#21) to the Side Apron (#2) using three Screws (#27) per Apron Corner. **See FIG.3.**



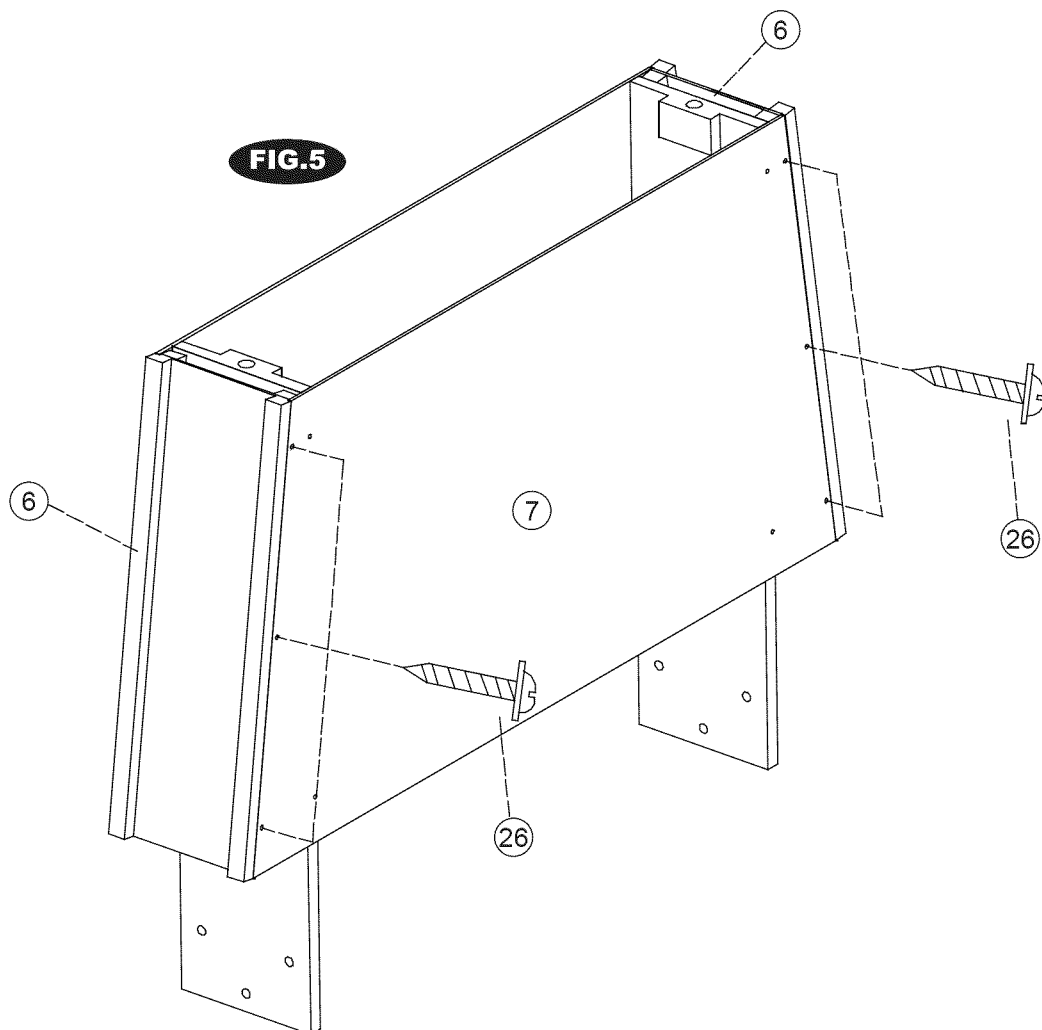
**FIG.3**



9. Attach the Leg Panel (#7) to the Leg - A (#5) using four Screws (#26) per Leg Panel. **See FIG.4.**



10. Attach the Leg - B (#6) to the Leg Panel (#7) using six Screws (#26) per Leg - B. **See FIG.5.**





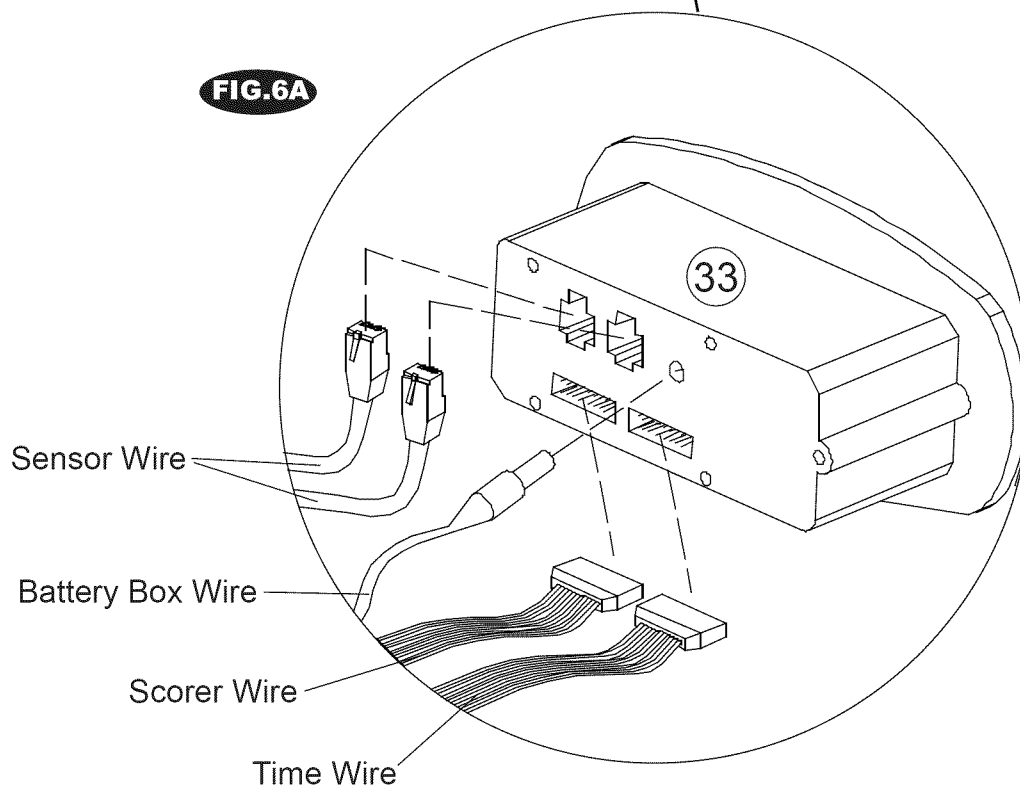
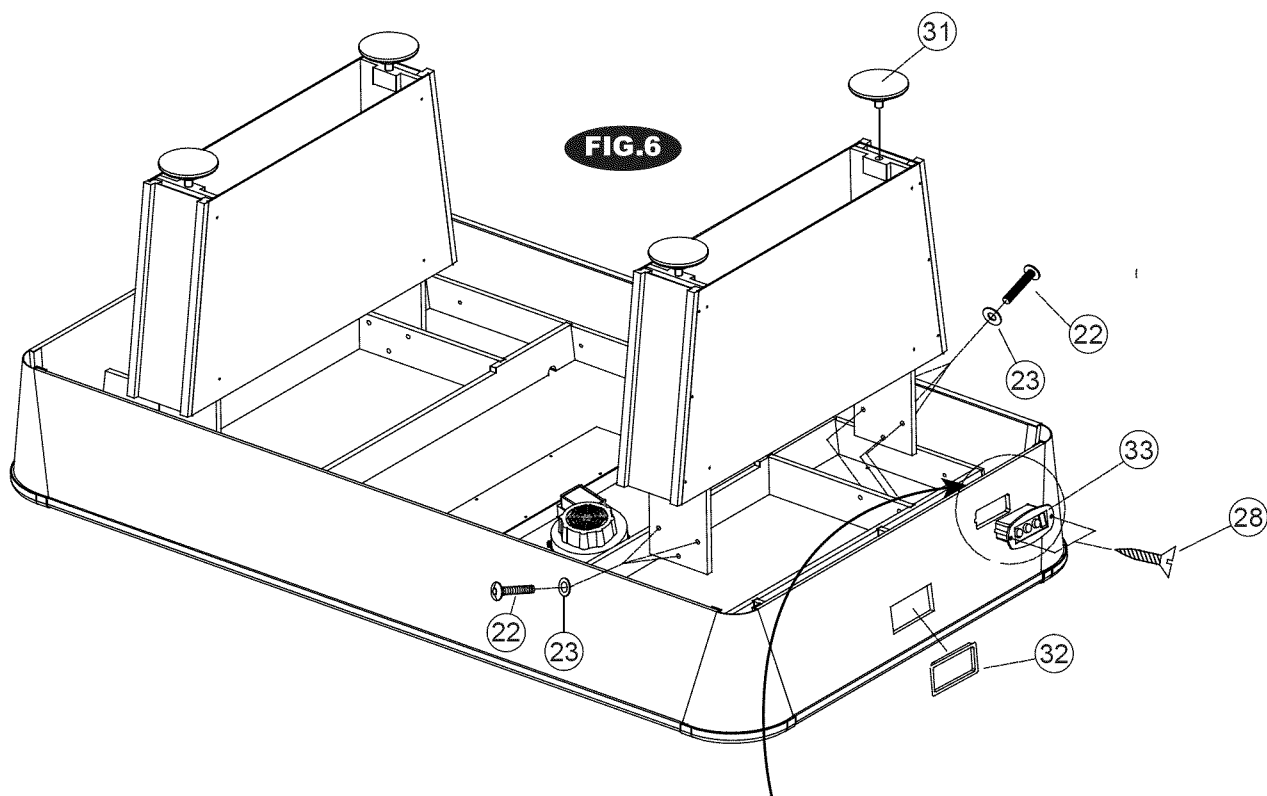
11. Attach the Leg (pre-assembly) to the Main Cabinet (#1) using three Bolts (#22) and three Washers (#23)  
**See FIG.6.**

12. Screw the Leg Leveler (#31) into the Leg. **See FIG.6.**

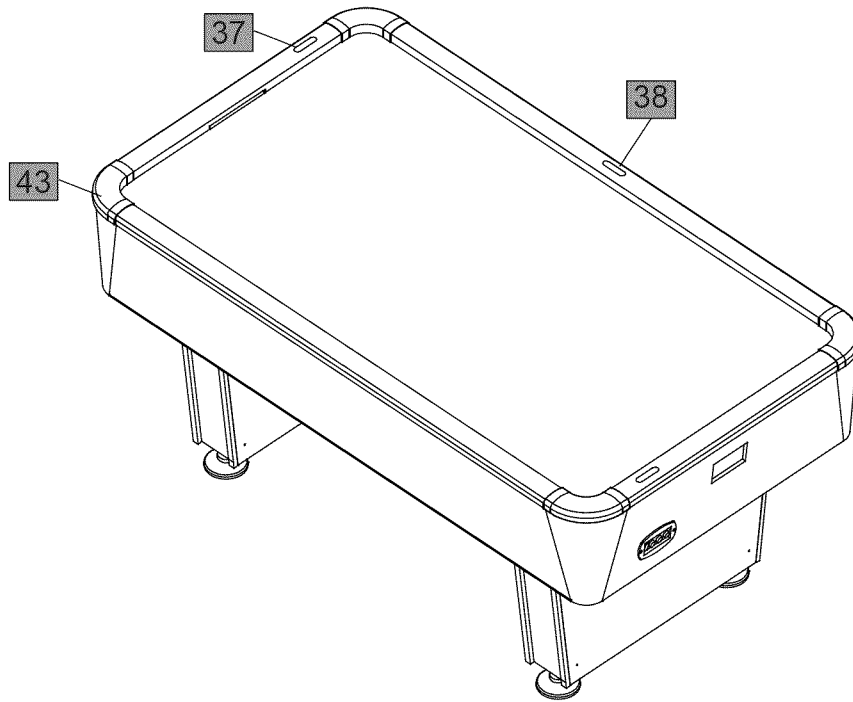
13. Attach the Goal Cover (#32) to the opening of End Apron. **See FIG.6.**

14. Attach the Control Box (#33) to the End Apron - B (#4) using two Screws (#28). **See FIG.6.**

15. Plug the Sensor Wire, Scorer Wire, Time Wire and Battery Box Wire to the Control Box (#33). **See FIG.6A**

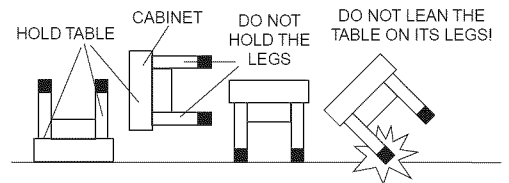


16. Lift the table assembly from the floor with at least four strong adults, turn it over, and set the table assembly on its legs in the location where you play. **Go back and make sure that all connections are tight.**



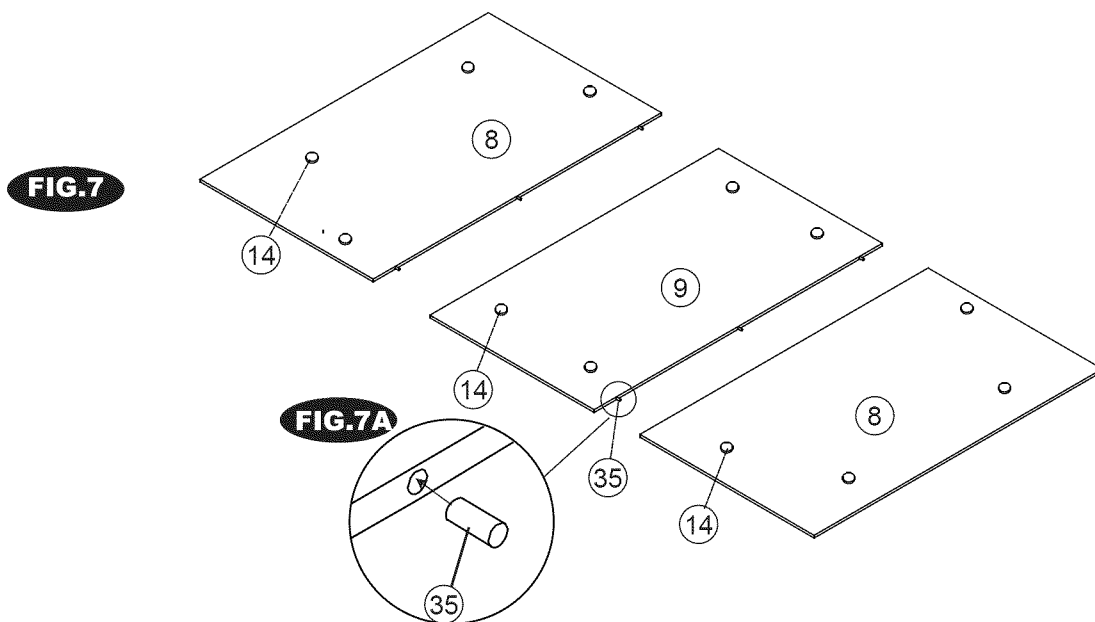
**CAUTION:** Four strong adults are recommended to turn the table over as shown.

1. Lift the table off the ground.
2. Turn the table over.
3. Place it on all four feet at the same time on the ground.

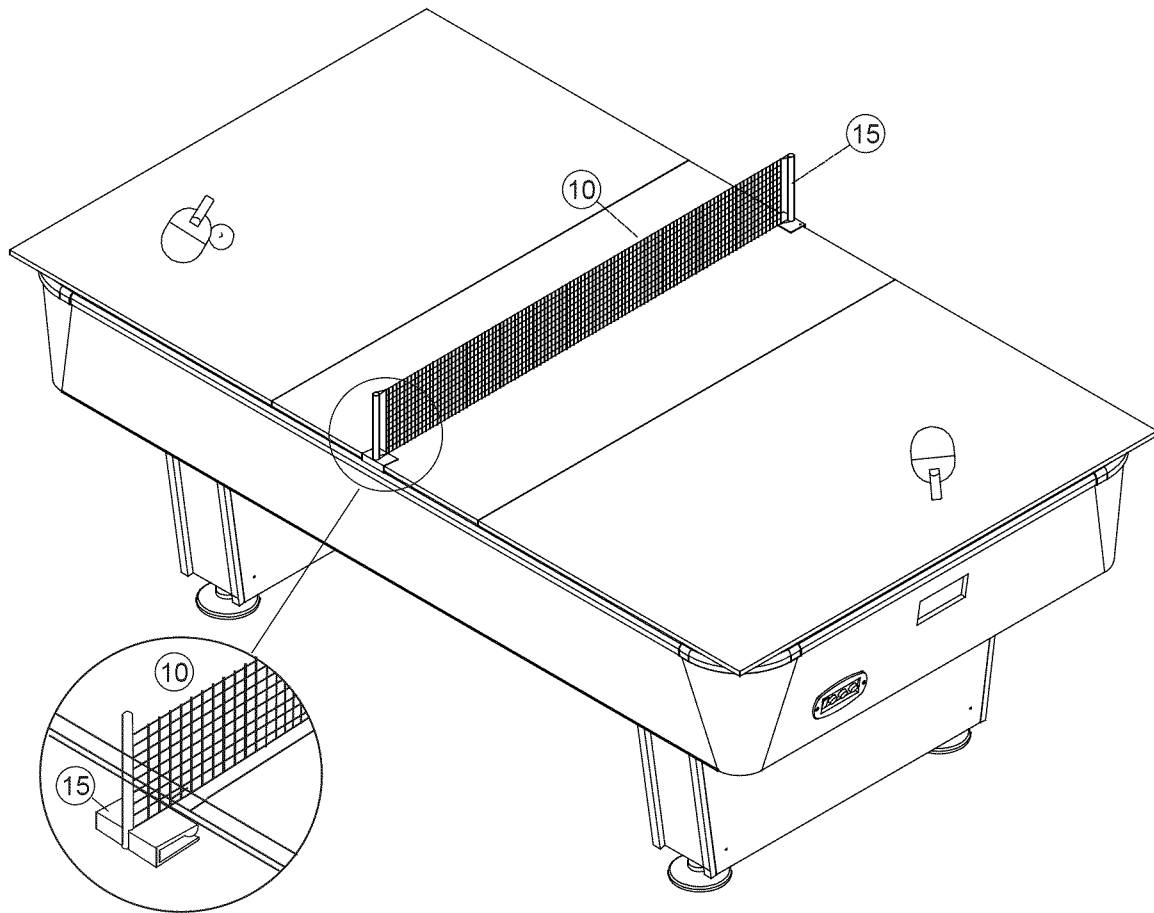


17. Tear off the backside paper of the EVA Pad (#14) and stick them at the bottom of the Table Tennis Surface (#8 and #9). **See FIG.7.**

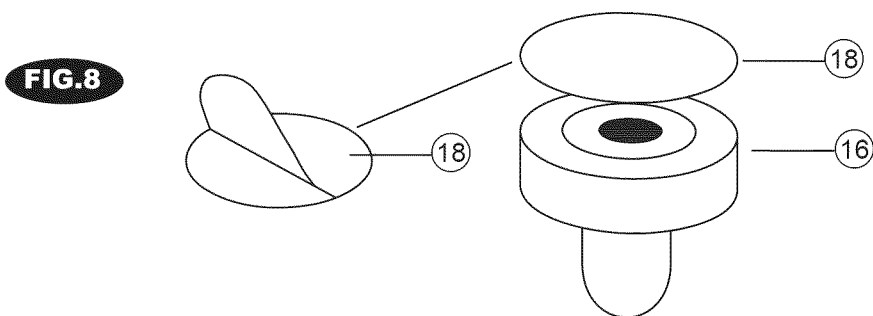
18. Insert the Plastic Dowel (#35) into the holes on the Table Tennis Surface. **See FIG.7A.** And assemble the Table Tennis Surface - A (#8) and Table Tennis Surface - B (#9) together.



19. Place the Table Tennis Surface (#8 and #9) onto the hockey surface and insert the Net Posts (#15) and Net (#10).  
See FIG.8.



20. Tear off the backside paper of the Felt Pad (#18) and stick them at the bottom of the Pushers (#16). See FIG.8.



**NOW YOU ARE READY TO PLAY!**

# **ELECTRONIC SCORER OPERATION**

1. Plug in the power cord and switch power to "ON". "Time" displayed will be "15:00" accompanied with a "fifteen minute" warning.
2. Press the "MINUTES" button to set up playing time.
3. Press "START/RESET" to begin game play. The time display will count down after the music stops.
4. When the "HOME" player scores, "HOME" indicator will show 1 point.
5. When the "VISITOR" player scores, "VISITOR" indicator will show 1 point.
6. Score only counts when goal made after cheering sound is finished.
7. Once game is started, the "Minutes" button cannot be adjusted. This only option is to reset the time to the starting time.


NOTE: THIS WILL RESET THE SCORES TO ZERO

8. The scorer will turn off automatically when idle for 5 minutes.
9. Press "MINUTES" or " START/RESET" to turn on the scorer again after the stoppage period.

This device complies with the part 15 of the FCC rules. Operation is subject to the following two conditions :

- (1) This device may not cause harmful interference, and
- (2) This device must accept any interference received, including interference that may cause undesired operation.

## Inlay Electronic Scorer Trouble Shooting Guides

NO	Conditions	Trouble Shooting	Solvent
A	No sound on Control Box and no numbers displayed on Scorers	1. Pls check the "power switch of Battery Box" if it is turned on.	Turn on the power switch of Battery Box.
		2. Pls check the "power switch of Control Box" if it is turned on.	Turn on the power switch of Control Box.
		3. Pls check the "battery box wire" if it is plugged into the Control Box and connected well.	Plug or Re-plug the battery box wire into the Control Box. Pls check if batteries are installed in the Battery Box.
		Result: If it's failed as above 3 steps, and then...	Replace a new Control Box and Battery Box.
B	No sound on Control Box	1. Pls check the button-"SOUND ON /OFF" on the Control Box if it is turned on.	Re-press the button-"SOUND ON /OFF" on the Control Box.
		If this fails to resolve the problem,	Replace a new Control Box.
C	No numbers displayed on Timer/Scorers	1. Pls check the "Time Display Wire and Scorer Display Wire" if both are plugged into the Control Box well.	Re-plug the Time Display Wire and Scorer Display Wire into the Control Box.
		2. No numbers displayed on "Timer" but on 1 or 2 pcs Scorers.	Interchange the Time Display Wire and Scorer Display Wire, and plug into the Control Box, it will come out the conditions as following a/b: a) If numbers are displayed: Replace a new Time Display and Time Display Wire. b) If no numbers on Timer: Replace a new Control Box.
		3. No numbers displayed on "1 pc Scorer" but on Timer and 1 pc Scorer.	Interchange both of two Scorer Display Wires and plug into the Control Box: a) If numbers are displayed: Replace a new Scorer Display Wire. b) If no numbers on Scorer: Replace a new Control Box.
		4. No numbers displayed on "2 pcs Scorers" but on Timer.	Interchange the Time Display Wire and Scorer Display Wire, and plug into the Control Box. a) If numbers are displayed: Replace new Scorer Display and Scorer Display Wire. b) If no numbers on Scorers: Replace a new Control Box.
D	Incomplete Numbers displayed on Scorers/Timer	1. Pls check if the "Time Display Wire" and "Scorer Display Wire" are connected well into the Control Box.	Replug the Time Display Wire and Scorer Display Wire and connect them to the Control Box.
		2. Incomplete numbers on "1pc Scorer" only.	Take out both of Scorer Display and interchange to re-install: a) If numbers are displayed: Replace a new Scorer Display Wire. b) If it still is not working: Replace a new Scorer Display and Scorer Display Wire.
		3. Incomplete numbers on "2pcs Scorers" with the same character or different numbers.	Replace new Scorer Displays, Scorer Display Wire and Control Box.
		4. Incomplete numbers on Timer only.	Replace a new Time Display and Time Display Wire .
		5. Incomplete numbers on all of the Scorer Displays and Time Display with the same character .	Replace a new Control Box.
		6. Incomplete numbers on "2pcs Scorer Display & Time Display". As same as the image below-	Please re-check the Scorer Display Wire and Time Display Wire if they are plugged in the correct socket on the Control box.
			
E	No counting on Scorers	1. Pls check the button-"START" on the Control Box if it is turned on.	Re-press the button-"START" on the Control Box.
		2. Pls check the "Puck Catcher Wire with Sensor-1 & 2" if both are connected with the Control Box well.	Re-plug the Puck Catcher Wire with Sensor-1 & 2 on the Control Box and connected well.
		3. "1 pc Scorer": Failed to keep the score.	Interchange the Puck Catcher Wire with Sensor-1 & 2, and then plug into the Control Box, it will come out conditions as following a/b: a) If scorer keep score: Replace a new Puck Catcher Wire with Sensor. b) If it's unworkable: Replace a new Control Box.
		4. "2 pcs Scorers": Failed to keep the score.	Replace a new Control Box.
F	Unworkable button on the Control Box	Pls check the "Electronic Scorer Operation Guides" on the Assembly Instruction.	Refer to the Electronic Scorer Operation Guides and re-operate. If still, inoperable, please replace a new Control Box.

# **GARANTÍA LIMITA DE 90 DIAS**

Este producto está cubierto por una garantía efectiva de 90 días apartir de la fecha de su compra. La garantía cubre cualquier defecto en las partes y en la obra del trabajo.

Esta garantía limitada le da a usted derechos legales específicos,usted también puede tener otros derechos que varían de un estado (provincia) a otro/a.

Durante el período límite de la garantía, si una parte defectuosa o quebrada es encontrada, nosotros ofreceremos una reparación o un reemplazo de la parte sin ningún costo para ud, nuestro cliente. La única excepción que la garantía no fuera aplicada sería los daños causado por un uso inapropiado, alteración, uso equivocado, abuso, daño accidentado o negligencia.

**Que tenga Atención:** Ya que usted construye todas las mesas al revés, por favor inspeccione las partes superiores de mesa y superficies de juego enseguida antes de poner juntos.

## **“POR FAVOR GUARDE ESTAS INSTRUCCIONES Y RECIBO DE LA COMPRA !”**

El RECIBO DE LA COMPRA (o cualquier otra prueba de la fecha de su compra) sería requerida antes que cualquier servicio de garantía fuera iniciada. Cualquier requerimiento para el servicio de la garantía puede ser presentado por email, escrito o contactando a nuestro Dept. de Servicio del Consumidor en :

**Número telefónico gratis: 877-852-8164**

**WEBSITE: [www.medalsports.com.tw](http://www.medalsports.com.tw)**

*\*Por favor no llames nuestro NUMERO 800 así como envíenos por correo electrónico. Esto pasará en dos órdenes duplicados y ocurrirá gastos.*

*\*Por favor note que todas las partes superiores de la mesa dañada tienen que ser devueltas a la tienda. No sustituimos ninguna parte superior de mesa o superficie de juego.*

**POR FAVOR PÓNGASS EN CONTACTO CON NOSOTROS  
ANTES DE DEVOLVER EL PRODUCTO A LA  
TIENDA.MUCHAS GRACIAS!**

**¡Aviso Importante!** Por favor póngase en contacto con nosotros antes de devolver el producto a la tienda.

¡Por favor guarde las instrucciones. Es necesario el número de modelo para contactarse con nosotros. Por favor léa las instrucciones para poder familiarizarse con las piezas y los pasos para ensamblar. Corrobore que todas las piezas que aparecen en el "Identificador de Partes" se encuentren en el paquete.

A pesar de que nos dedicamos a dar los mejores productos posibles para nuestros clientes, pueden ocurrir problemas o faltar piezas. Si le faltan piezas ó si tiene alguna inquietud, por favor contáctenos lo antes posible a nuestro cordial centro de atención: **877-852-8164**

## Herramientas Necesarias:

Destornillador Phillips - **No incluido**

Destornillador de Cabeza Plana – **No incluido**

Llave Allen – **Incluido**

Los destornilladores eléctricos pueden ser de gran ayuda durante el ensamblado; sin embargo, por favor ajuste el par de giro bajo y sea extremadamente precavido

### PRECAUCIÓN!



## CONSEJOS PARA EL ENSAMBLADO

1. Por favor lea las instrucciones con cuidado y siga todo durante el montaje, la operación o instrucciones de seguridad correctamente para evitar el daño o la herida. Para el montaje, por lo menos se requieren dos adultos.
2. Algunas figuras o dibujos podrían parecer no estén exactamente como su producto. Por favor lea y entienda el texto antes de iniciar cada paso del montaje.

### AVISO:

1. Este producto está destinado para el uso INTERIOR solamente.
2. Por favor No sientes, subas o inclínes la mesa de juego.
3. Por favor No arrastres la mesa cuando está en movimiento para evitar el daño sobre las piernas.
4. Por favor use sólo la cera espray de muebles para limpiar las superficies exteriores sobre la mesa de juego.
5. Esto no es un juguete de niños, se requieren la supervisión adulta para niños cuando está jugando este juego



**ADVERTENCIA:** Las tareas de montaje debe realizarlas un adulto.



**ADVERTENCIA:**

PELIGRO DE ASFIXIO - - Este artículo contiene piezas pequeñas y / o pequeñas bolas. No apto para menores de 3 años

# **IMPORTANTES INSTRUCCIONES DE SEGURIDAD**

## **Lea todas las instrucciones**

1. Lea todas las instrucciones – Todas las instrucciones de seguridad y operación deberían ser leído con cuidado antes de que este juego de hockey sea jugado.
2. Advertencia - Esto no es un juguete y que está intencionado por el uso o bajo la supervisión de adultos. Los adultos deberían repasar las directrices de seguridad con niños para evitar el riesgo de posible choque eléctrico u otras heridas.
3. Fuente de potencia - Este juego de hockey debería ser operado solamente de 110-120V A.C., 60 ciclos de corriente como indicado sobre la etiqueta de identificación. Si usted no está seguro sobre el tipo de suministro de energía de su casa, consulte con su distribuidor de aparato o la empresa de energía local.
4. Protección del cable eléctrico- El cable eléctrico debería ser encaminado de modo que no sea probablemente andado encima o pellizcado por artículos colocados encima o contra ello. Preste atención especial sobre los cables en enchufes, receptáculos convenientes y el punto de salida del juego.
5. La sobrecarga - No sobrecargues las salidas de pared y cuerdas de extensión como esto puede causar un riesgo de fuego o choque eléctrico.
6. El objeto y la entrada de líquido - Nunca empujes los objetos de cualquier clase a este juego por aperturas como ellos puedan tocar puntos de voltaje peligrosos o corto - partes externas podrían causar un fuego o choque eléctrico. Nunca derrame cualquier clase de líquido sobre el juego.
7. Ventilación- Las aperturas en el juego son proporcionadas para el escape de aire para crear un efecto de cojín. Las aperturas sobre el soplador de aire son para la entrada de aire. Guarde libre del soplador de aire cuando está conectado. No pongas la mano u otros objetos cerca de las aperturas de entrada. Para asegurar una operación confiable del juego y protejalo de recalentarse estas aperturas que no deben ser bloqueados o cubiertos.
8. El servicio de requisito de daño - Desconecte el juego de la salida de pared. No intentes de atender el soplador por usted mismo como la apertura o la eliminación de cubiertas puedan exponerle al voltaje peligroso u otros peligros. Mande a la persona calificada de servicios bajo las siguientes condiciones:
  - A. Cuando la cuerda de suministro de energía o el enchufe están dañados.
  - B. Si se ha derramado el líquido o se han caído los objetos en el soplador.
  - C. Cuando el soplador de aire exponga un cambio distinto del funcionamiento, por ejemplo ruido anormal, se indica una necesidad del servicio.
9. Conectando con tierra o la Polarización - Este juego está equipado con un enchufe de línea de corriente alterna polarizada ( un enchufe que tiene una hoja más amplia que el otro). Este enchufe encajará a la salida de potencia por un sólo camino. Esto es una característica de seguridad. Si usted está incapaz de insertar totalmente el enchufe en la salida, trate de examinar el enchufe. Si el enchufe todavía falla en encajar, ponerse en contacto con su electricista para sustituir la salida anticuada. No derrotes el objetivo de seguridad del enchufe polarizado.
10. Advertencia –PRODUCTO OPERADO ELECTRICAMENTE - No recomendado para niños bajos de 8 años de edad. Como con todos los productos eléctricos, las precauciones deberían ser observadas durante el manejo y el empleo para reducir el riesgo de choque eléctrico.
11. Recomendamos que el juego de vez en cuando sea examinado de las condiciones que puedan causar el riesgo de fuego, electrochoque, o herida a personas. En el caso de que mientras existan tales condiciones, el juego no debería ser usado hasta correctamente reparado.
12. **RIESGOS DE FUEGO, ELECTROCHOQUE, O HERIDA A PERSONAS**  
**ADVERTENCIA-** Cuando está usando aparatos eléctricos, siempre deberían ser seguidas las precauciones básicas, incluyendo los siguientes:
  - A) Lea todas las instrucciones antes de usar los aparatos.
  - B) Para reducir el riesgo de herida, la supervisión cercana es necesaria cuando el aparato está usado cerca de niños.
  - C) No póngas en contacto con partes móviles.
  - D) Sólo use el accesorio recomendado o vendido por el fabricante.
  - E) No uses al aire libre.
  - F) Para un aparato de cuerda - conectada, será incluida los siguientes:
    - Para desconectar, gire todos los mandos a la posición OFF, luego quite el enchufe de la salida.
    - No desconectes a través del tiro de la cuerda. Para desconectar, agarre el enchufe, no la cuerda.
    - Desconecte desde la salida cuando no esté en uso y antes de revisar o limpiar.
    - Que no operes el aparato cuando la cuerda o enchufe esté dañado, o luego de malfuncionamiento del aparato o fue caído o dañado de cualquier modo. Vuelve el aparato al servicio autorizado más cercano para examen, reparación o ajuste eléctrico o mecánico.
13. Para reducir el riesgo de choque eléctrico, este aparato tiene un enchufe polarizado (una hoja es más amplia que la otra). Este enchufe encajará en una salida polarizada por sólo un camino. Si el enchufe no cabe totalmente en la salida, examine el enchufe. Si esto todavía no se cabe, póngase en contacto con un electricista calificado para instalar la salida apropiada. No cambies el enchufe de ningún modo.

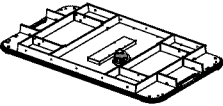

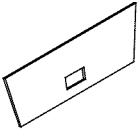
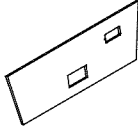
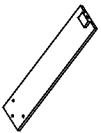

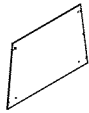
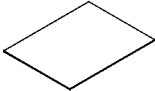
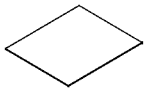
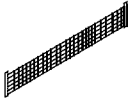


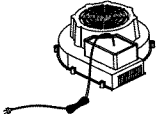

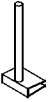
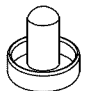


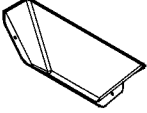
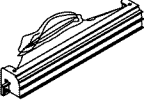
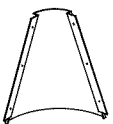


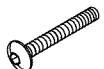

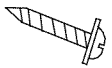
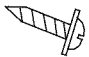

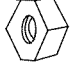
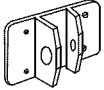
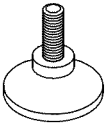
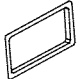
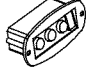
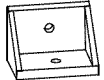


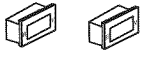
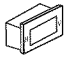


### **SALVE ESTAS INSTRUCCIONES**

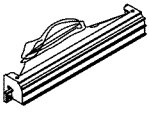
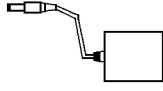




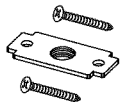

**ADVERTENCIA: Para reducir el riesgo de fuego o choque eléctrico, no uses este abanico con cualquier dispositivo de control sólido - velocidad estatal.**

**Para Uso Doméstico Sólo.**



# 18407 LISTA DE PARTES

<p><b>1</b></p>  <p>Gabinete Principal 1 Pieza</p>	<p><b>2</b></p>  <p>Delantal Lateral 2 Piezas</p>	<p><b>3</b></p>  <p>Delantal Final-A 1 Pieza</p>	<p><b>4</b></p>  <p>Delantal Final-B 1 Pieza</p>	<p><b>5</b></p>  <p>Pierna - A 4 Piezas</p>
<p><b>6</b></p>  <p>Pierna - B 4 Piezas</p>	<p><b>7</b></p>  <p>Panel de Pierna 4 Piezas</p>	<p><b>8</b></p>  <p>Superficie de Mesa de Tenis-A 2 Piezas</p>	<p><b>9</b></p>  <p>Superficie de Mesa de Tenis-B 1 Pieza</p>	<p><b>10</b></p>  <p>Red de Mesa de Tenis 1 Pieza</p>
<p><b>11</b></p>  <p>Paleta de Mesa de Tenis 2 Piezas</p>	<p><b>12</b></p>  <p>Pelota de Mesa de Tenis 2 Piezas</p>	<p><b>13</b> Pre-instalado</p>  <p>Soplador 1 Juego</p>	<p><b>14</b></p>  <p>Almohadilla EVA 12 Piezas</p>	<p><b>15</b></p>  <p>Poste de Mesa de Tenis 2 Piezas</p>
<p><b>16</b></p>  <p>Camello 2 Piezas</p>	<p><b>17</b></p>  <p>Puck 2 Piezas</p>	<p><b>18</b></p>  <p>Almohadilla de Feltro 2 Piezas</p>	<p><b>19</b></p>  <p>Caja de Gol 2 Piezas</p>	<p><b>20</b> Pre-instalado</p>  <p>Receptor de Puck con Cable de Sensor Largo 1 Pieza</p>
<p><b>21</b></p>  <p>Delantal de Rincón 4 Piezas</p>	<p><b>22</b></p>  <p>Tornillo 5/16" x 1-1/4" 12 Piezas</p>	<p><b>23</b></p>  <p>Arandela 5/16" 22 Piezas</p>	<p><b>24</b></p>  <p>Tornillo-Plata 5/16" x 7/8" 10 Piezas</p>	<p><b>25</b></p>  <p>Tornillo de Cabeza Arandela 4 x 15mm 20 Piezas</p>
<p><b>26</b></p>  <p>Tornillo de Cabeza Arandela 3 x 15mm 40 Piezas</p>	<p><b>27</b></p>  <p>Tornillo de Cabeza Arandela 4 x 12mm 28 Piezas</p>	<p><b>28</b></p>  <p>Tornillo de Cabeza Plana 4 x 15mm 2 Piezas</p>	<p><b>29</b></p>  <p>Tuerca 5/16" 4 Piezas</p>	<p><b>30</b></p>  <p>Corchete U 4 Piezas</p>
<p><b>31</b></p>  <p>Nivelador de Pierna 4 Piezas</p>	<p><b>32</b></p>  <p>Cubierta de Gol 2 Piezas</p>	<p><b>33</b></p>  <p>Caja de Control 1 Pieza</p>	<p><b>34</b> Pre-instalado</p>  <p>Corchete L 4 Piezas</p>	<p><b>35</b></p>  <p>Pasador Plástico 6 Piezas</p>
<p><b>36</b></p>  <p>Llave Allen 1 Pieza</p>	<p><b>37</b> Pre-instalado</p>  <p>Exposición de Marcador 2 Piezas</p>	<p><b>38</b> Pre-instalado</p>  <p>Exposición de Tiempo 1 Pieza</p>	<p><b>39</b> Pre-instalado</p>  <p>Cable de Marcador 1 Pieza</p>	<p><b>40</b> Pre-instalado</p>  <p>Cable de Tiempo 1 Pieza</p>

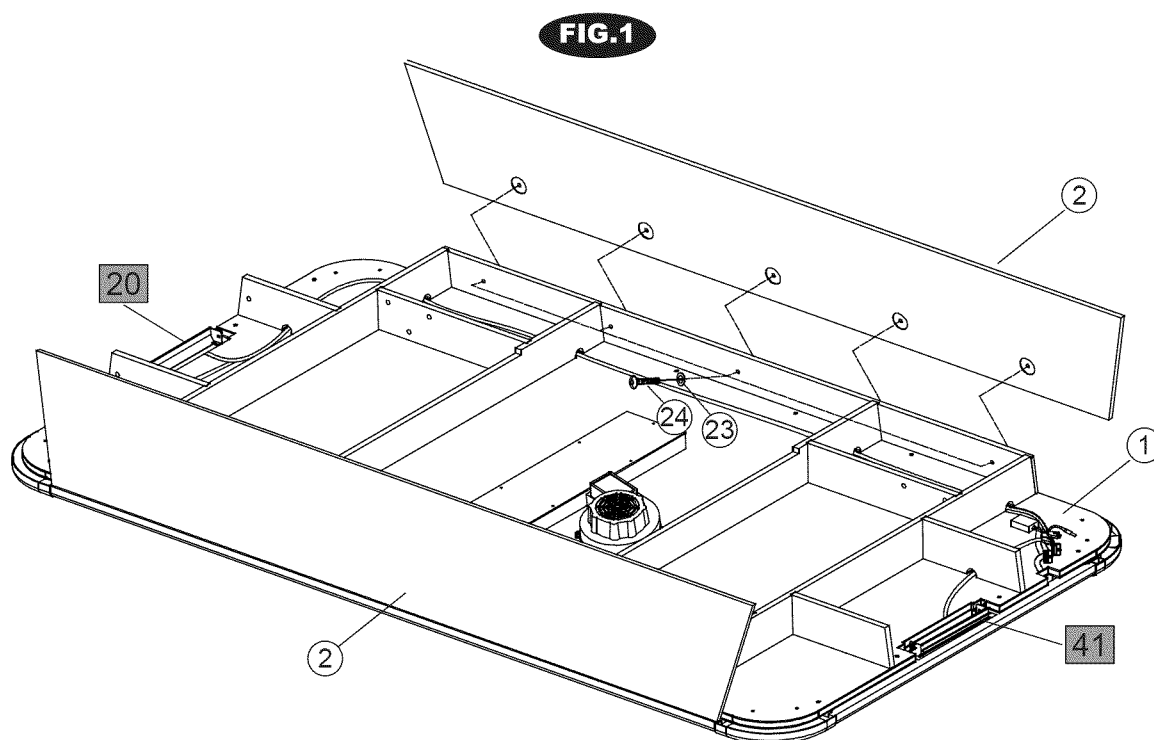
<p><b>41</b> Pre-instalado</p>  <p>Receptor de Puck con Cable de Sensor Corto 1 Pieza</p>	<p><b>42</b> Pre-instalado</p>  <p>Caja de Batería 1 Pieza</p>	<p><b>43</b> Pre-instalado</p>  <p>Rincón Superior 4 Piezas</p>	<p><b>44</b></p>  <p>Llave 1 Pieza</p>	<p><b>45</b></p>  <p>Tornillo 1/4" x 1-1/4" 4 Piezas</p>
<p><b>46</b></p>  <p>Arandela 1/4" 4 Piezas</p>	<p><b>5A</b> Pre-instalado</p>  <p>Tuerca Cuadrada y Tornillo 4 Juegos</p>	<p><b>5B</b> Pre-instalado</p>  <p>T-Tuerca 12 Piezas</p>		

## PRECAUCIÓN

- 1) 4 pilas AA no incluidas.
- 2) No mezcle pilas nuevas con viejas.
- 3) No mezcle pilas alcalinas, estándar (carbono zinc), o recargables (níquel cadmio).

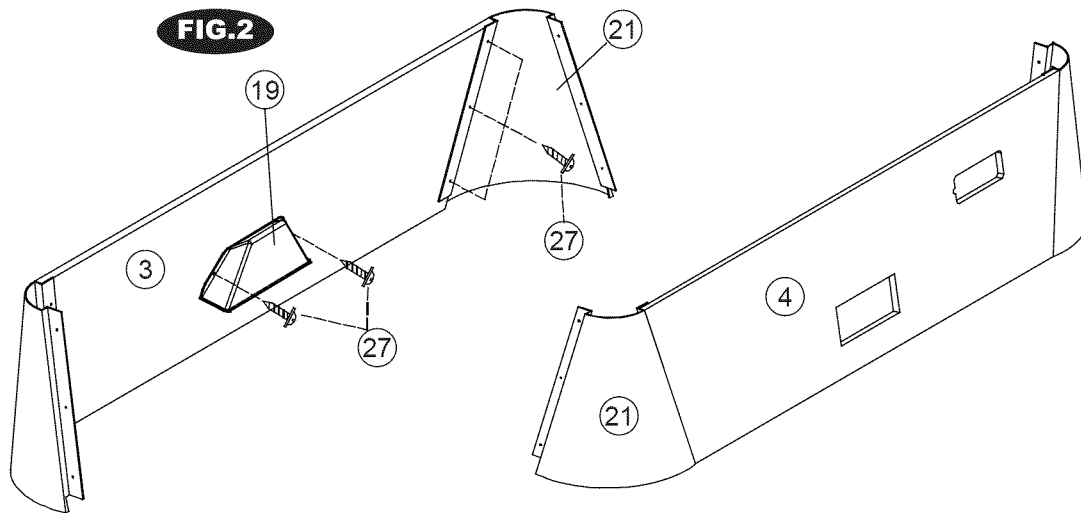
## INSTRUCCION DE MONTAJE

1. Abra la caja de su nueva mesa de Air Hockey cerca de donde usted jugará. Seleccione un piso despejado y plano. Este juego requiere de al menos dos adultos para ser armado.
2. Saque el contenido de la caja y verifique que usted tiene todas las partes como se muestra en el identificador de partes. Le sugerimos que usted use la parte inferior de la caja como un área de trabajo limpia y plana para proteger el juego. Corte cuidadosamente los lados de la caja para que pueda usar la parte inferior como su superficie de trabajo.
3. Adjunte el Delantal Lateral (#2) al Gabinete Principal (#1) usando cinco Tornillos (#24) y cinco Arandelas (23) por Delantal Lateral. *Vea la FIG. 1.*



4. Adjunte la Caja Gol (#19) a los Delantales Final (#3 & #4) usando dos Tornillos (#27) por Caja de Gol. **Vea la FIG.2.**

5. Adjunte el Delantal de Rincón (#21) a los Delantales Final (#3 & #4) usando seis Tornillos (#27) por cada lado. **Vea la FIG.2.**



6. Adjunte el Delantal Final con Delantales de Rincón (FIG.2. montada) al Gabinete Principal (#1) usando dos Corchete U (#30), dos Tornillos (#45), dos Arandelas (#46), dos Tuercas (#29) y ocho Tornillos (#25) por Delantal Final. **Vea la FIG.3A**

7. Adjunte el Corchete L (#34) al Gabinete Principal (#1) usando uno Tornillo (#25) por Corchete L. **Vea la FIG. 3B.**

8. Adjunte el Delantal de Rincón (#21) al Delantal Lateral (#2) usando tres Tornillos (#27) por Delantal de Rincón. **Vea la FIG. 3.**

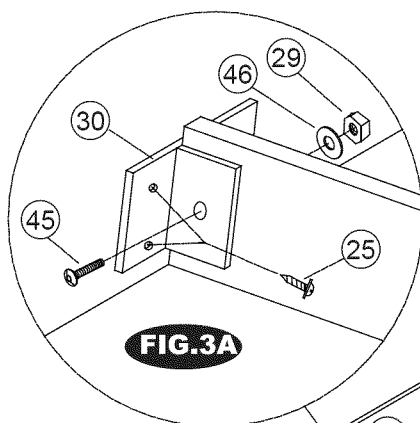
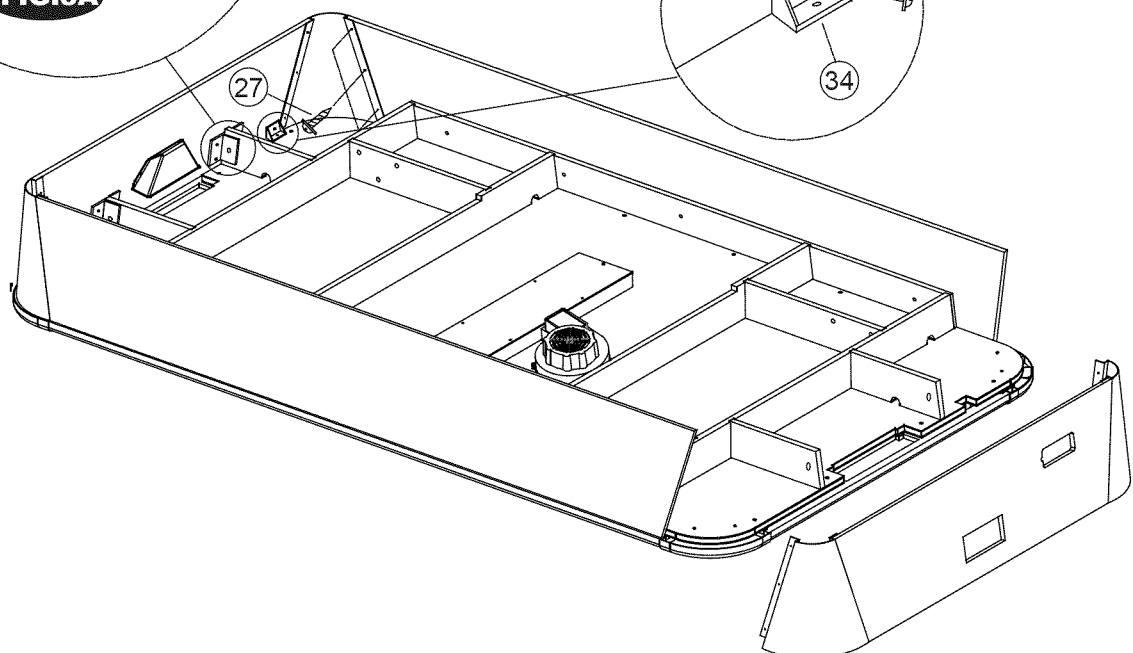
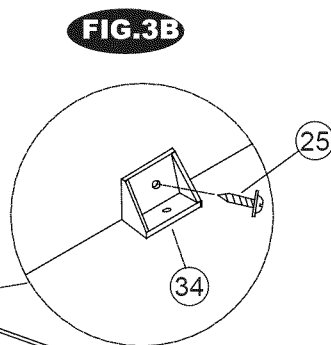
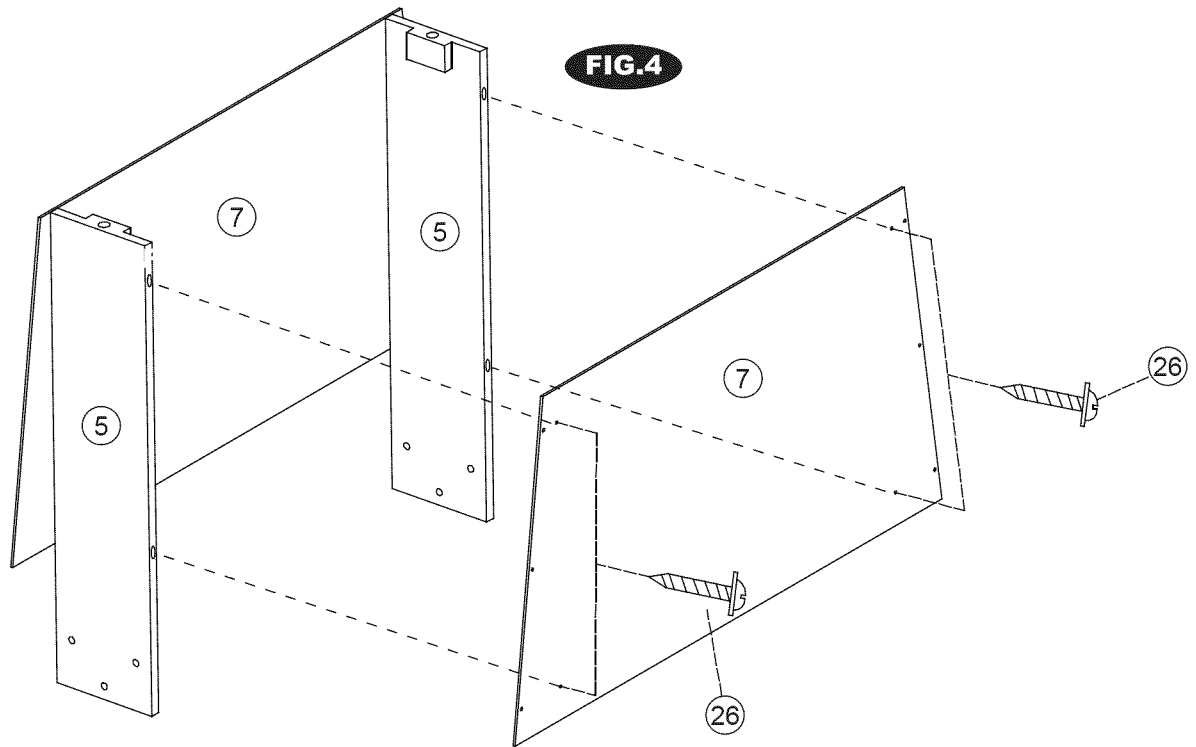


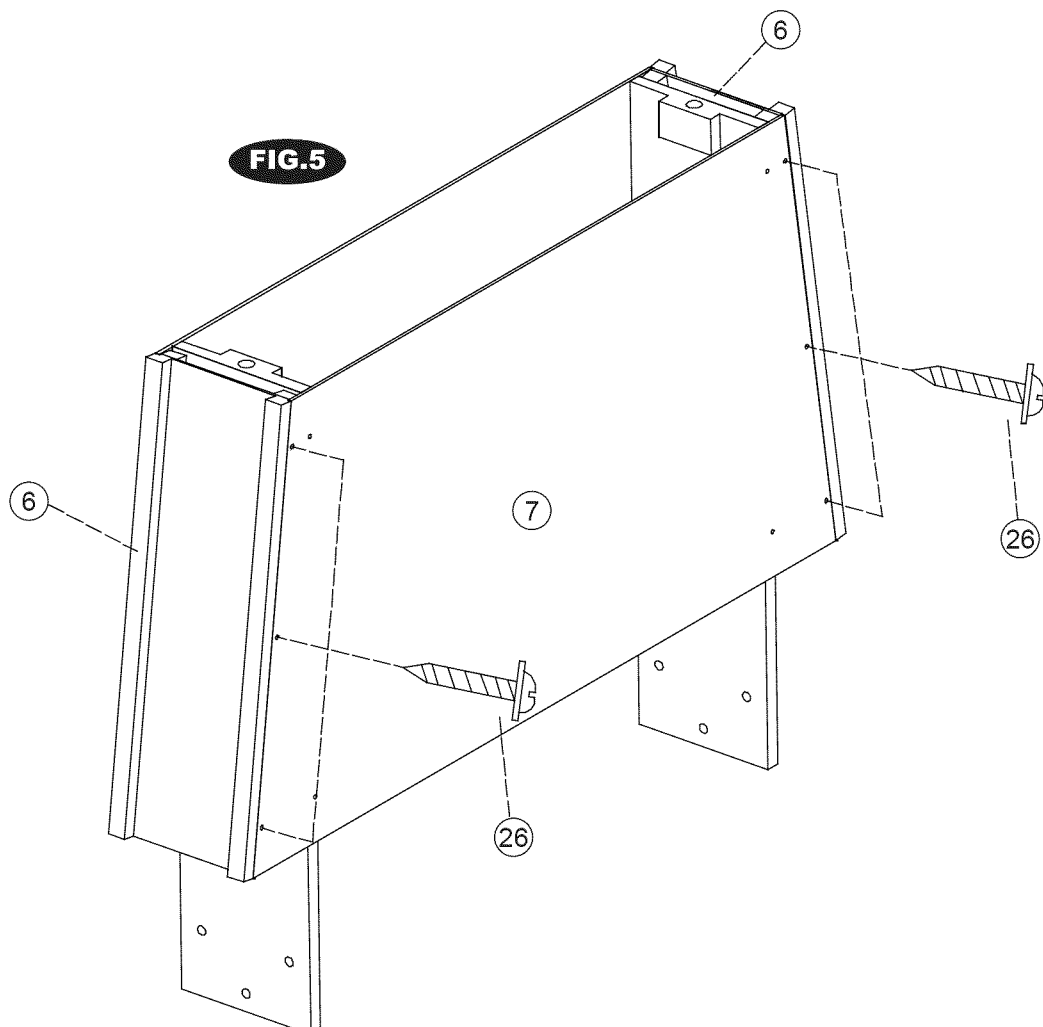
FIG.3



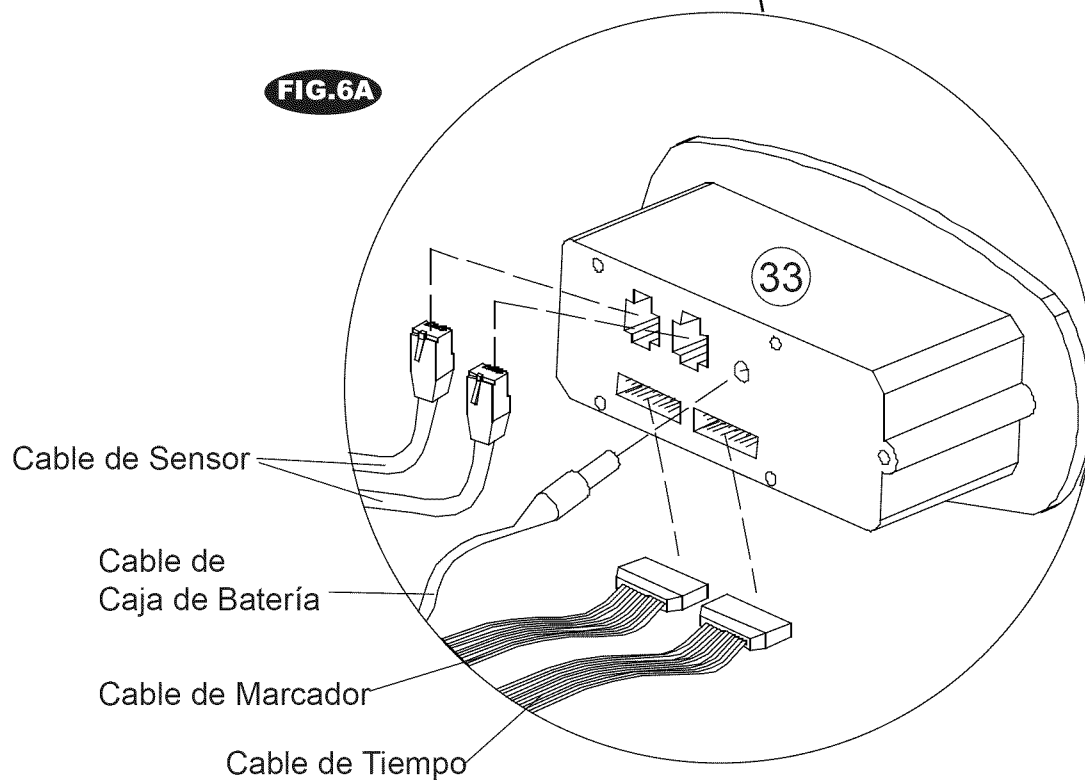
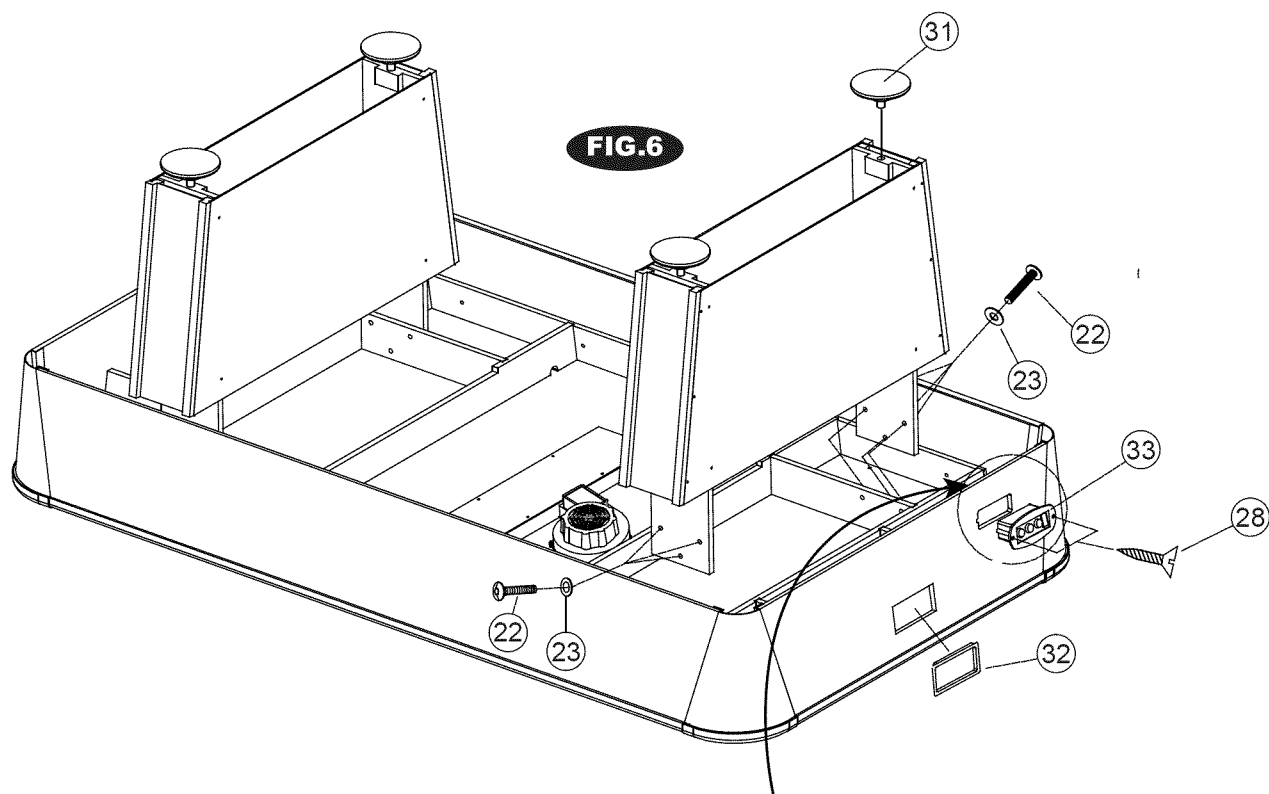
9. Adjunte el Panel de Pierna (#7) a la Pierna – A (#5) usando cuatro Tornillos (#26) por Panel de Pierna. *Vea la FIG.4.*



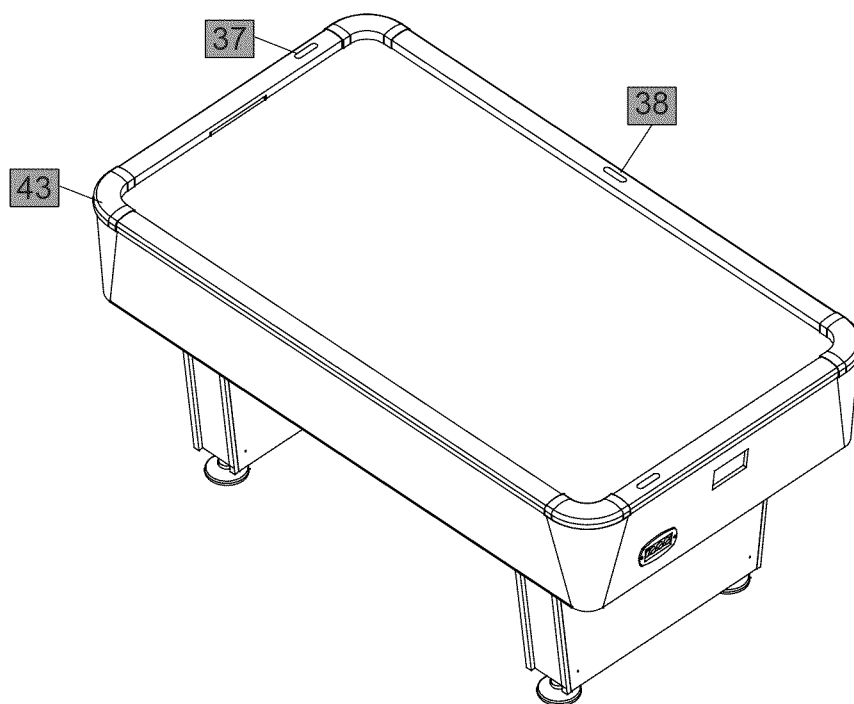
10. Adjunte la Pierna – B (#6) al Panel de Pierna (#7) usando seis Tornillos (#26) por Pierna-B. *Vea la FIG. 5.*



11. Adjunte la pierna (pre-montada) al Gabinete Principal (#1) usando tres Tornillos (#22) y tres Arandelas (#23). **Vea la FIG. 6.**
12. Atornille el Nivelador de Pierna (#31) a la Pierna. **Vea la FIG. 6.**
13. Adjunte la Cubierta de Gol (#32) a la abertura del Delantal Final. **Vea la FIG. 6.**
14. Adjunte la Caja de Control (#33) al Delantal Final-B(#4) usando dos Tornillos (#28). **Vea la FIG. 6.**
15. Enchufe el Cable de Sensor, Cable de Marcador, Cable de Tiempo y Cable de Caja de Batería a la Caja de Control (#33). **Vea la FIG. 6A**



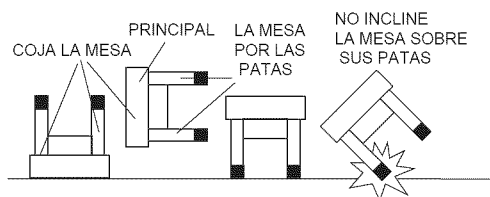
16. Levante la mesa montada del piso con cuatro adultos fuertes, voltee la mesa y ponga la mesa montada sobre sus piernas en la posición donde usted juega. **Vuelva y asegúrese que todas las conexiones estén bien apretadas.**



**Advertencia:**

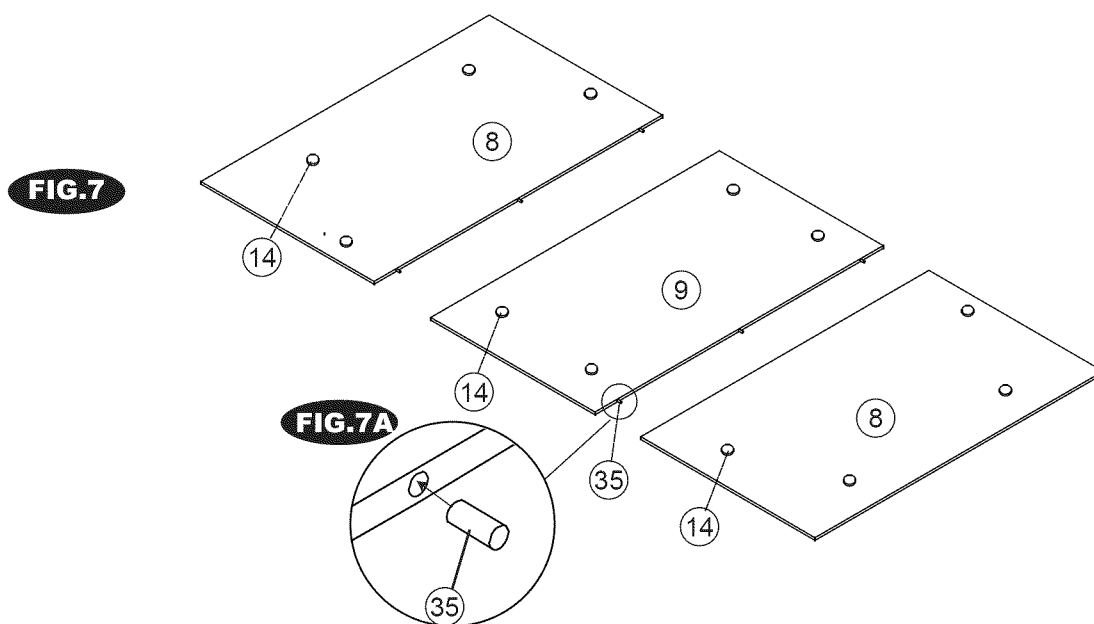
Se recomienda que dos adultos fuertes le den la vuelta a la mesa como se muestra.

1. Levante la mesa del suelo.
2. Dele la vuelta a la mesa.
3. Póngala sobre las cuatro patas al mismo tiempo.

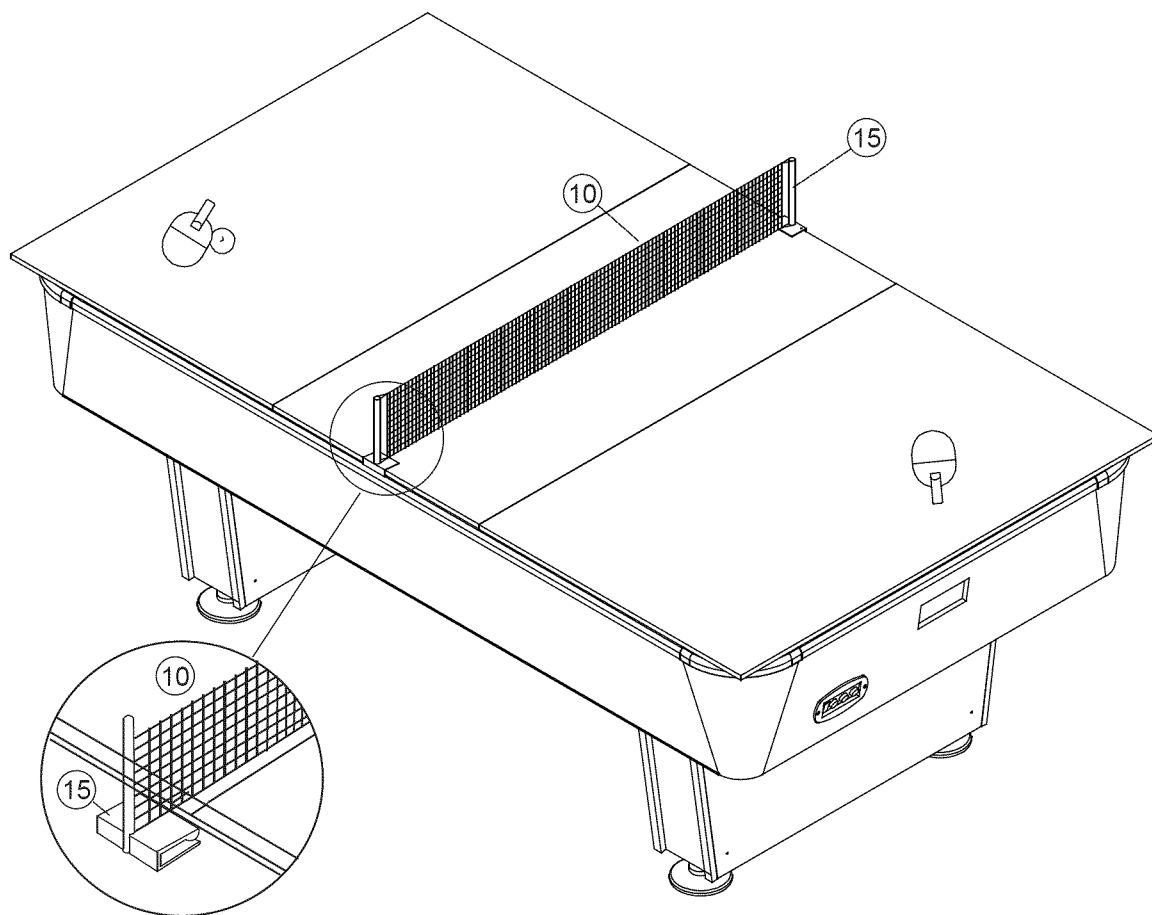


17. Arranque la trasera del papel de la Almohadilla EVA (#14) y péguelos en el fondo de la Superficie de Mesa de Tenis (#8 & #9). **Vea la FIG.7.**

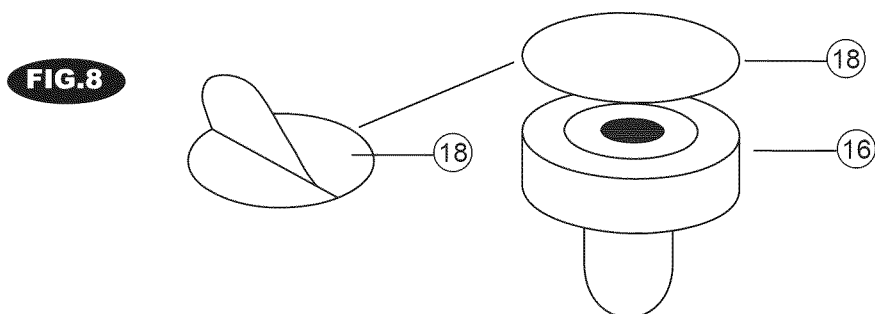
18. Inserte el Pasador Plástico (#35) a los agujeros de la Superficie de Mesa de Tenis. **Vea la FIG.7A.** Y monte juntos la Superficie de Mesa de Tenis-A (#8) y la Superficie de Mesa de Tenis – B (#9).



19. Coloque la Superficie de Mesa de Tenis (#8 & #9) sobre la superficie de hockey e inserte los Postes de Red (#15) y la Red (#10). *Vea la FIG. 8.*



20. Arranque la traseira del papel de la Almohadilla de Feltro (#18) y péguelos en el fondo del Camello (#16). *Vea la FIG.8.*



**YA ESTÁ LISTO PARA JUGAR!**

# **OPERACION DEL MARCADOR ELECTRONICO**

1. Enchufe el cable de potencia y el interruptor de potencia a "ON". El "Time" exhibirá "15:00" acompañado alarma de "fifteen minute".
2. Aprete el botón "MINUTES" para ajustar el tiempo de jugar.
3. Aprete el "START/RESET" para iniciar el juego. El tiempo mostrará cuenta regresiva luego de terminar la música.
4. Cuando marcar el jugador "HOME", el indicador de "HOME" mostrará 1 punto.
5. Cuando marcar el jugador "VISITOR", el indicador de "VISITOR" mostrará 1 punto.
6. Marque las cuentas sólo cuando el gol hecho luego de terminar el sonido alentador.
7. Una vez iniciado el juego, el botón de "Minutes" no podría ser ajustado. La única opción es re-ajuste el tiempo al tiempo de inicio.

***NOTA: ESTO SE REAJUSTARA LAS PUNTAJES A CERO.***

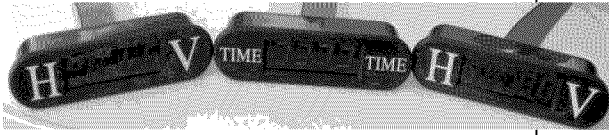
8. El marcador se apagará automáticamente cuando no está en uso por 5 minutos.
9. Aprete el "MINUTES" o " START/RESET" para encender otra vez el marcador luego del período de interrupción.

Este dispositivo cumple con las reglas del apartado 15 de la FCC. El funcionamiento está sujeto a las siguientes condiciones:

- (1) Este dispositivo no puede causar interferencias dañinas, y
- (2) Este dispositivo debe aceptar cualquier interferencia recibida, incluyendo interferencias que puedan causar un funcionamiento no deseado.



# Guía de Solución de Problemas Internos del Marcador Electrónico

No.	Condiciones	Posibles Problemas	Solución
A	No hay sonido en la Caja de Control ni números exhibidos sobre los Marcadores	1.Revise el "interruptor de potencia de la Caja de Batería" si esté encendida.	Enciende el interruptor de potencia de la Caja de Batería.
		2.Revise el "interruptor de potencia de la Caja de Control" si esté encendida.	Enciende el interruptor de potencia de la Caja de Control.
		3.Revise el "cable de la caja de batería" si esté enchufado a la Caja de Control y bien conectado.	Enchufe o Re-enchufe el cable de la caja de batería a la Caja de Control. Revise si las baterías estén instalados en la Caja de Batería.
		Resultado:Si fuera fracasado dichos 3 pasos, entonces.....	Cambie una nueva Caja de Control y Caja de Batería.
B	No hay sonido de la Control	1.Revise el botón "SOUND ON/OFF" sobre la Caja de Control si esté encendido.	Re-aprete el botón "SOUND ON/OFF" sobre la Caja de Control
		Si fuera fracasado de resolver este problema.	Cambie una nueva Caja de Control.
C	No fuera exhibido números sobre el Reloj/Marcador	1.Revise el "Cable de Exposición de Tiempo y el Cable de Exposición de Marcador " si ambos estén bien enchufado a la Caja de Control.	Re-enchufe el Cable de Exposición de Tiempo y el Cable de Exposición de Marcador a la Caja de Control.
		2.No hay números exhibidos sobre el "Timer" sino sobre 1 o 2 piezas de Marcadores.	Intercambie el "Cable de Exposición de Tiempo y el Cable de Exposición de Marcador ", y enchufe dentro de la Caja de Control, y tendrá las siguientes condiciones:a/b: a)Si fuera exhibido los números:Cambie una nueva Exposición de Tiempo y el cable de Exposición de Tiempo. b)Si no hay número sobre el Reloj:Cambie una nueva Caja de Control.
		3.No hay números exhibidos sobre "1 pc Scorer" sino sobre el Reloj y 1 pieza de Marcador.	Intercambie ambos, Cable de Exposición de Marcador y lo enchufe a la Caja de Control: a)Si fuera exhibido los números:Cambie un nuevo Cable de Exposición de Marcador. b)Si no hay número sobre el Reloj:Cambie una nueva Caja de Control.
		4.No hay números exhibidos sobre "2 pcs Scorers" sino sobre el Reloj.	Intercambie el Cable de Exposición de Tiempo y el Cable de Exposición de Marcador, y lo enchufe dentro de la Caja de Control. a)Si fuera exhibido los números: Cambie una nueva Exposición de Marcador y el Cable de Exposición de Marcador. b)Si no hay número sobre Marcadores:Cambie una nueva Caja de Control.
D	Número Exhibido incompleto sobre el Marcador/Reloj	1.Revise el "Cable de Exposición de Tiempo" y el "Cable de Exposición de Marcador" si estén bien conectado dentro de la Caja de Control.	Re-enchufe el "Cable de Exposición de Tiempo" y el "Cable de Exposición de Marcador" y luego los conecte a la Caja de Control.
		2.Número incompleto sobre "1pc Scorer" sólo.	Saque ambos de la Exposición de Marcador e intercambie para re-instalar: a)Si fuera exhibido números:Cambie un nuevo Cable de Exposición de Marcador. b)Si tampoco funcionar:Cambie una nueva Exposición de Marcador y Cable de Exposición de Marcador.
		3.Número incompleto sobre "2pc Scores" con el mismo carácter o número diferente.	Cambie una nueva Exposición de Marcador, Cable de Exposición de Marcador y la Caja de Control.
		4.Número incompleto sobre el Reloj sólo	Cambie una Exposición de Tiempo y Cable de Exposición de Tiempo.
		5.Número incompleto sobre todas las Exposiciones de Marcador y Exposiciones de Tiempo con el mismo carácter.	Cambie una nueva Caja de Control
		6.Número incompleto sobre "2pcs Scorer Display & Time Display". Igual que la imagen siguiente:	Re-revise el Cable de Exposición de Marcador y el Cable de Exposición de Tiempo, si estén enchufado en el correcto tomacorriente de la Caja de Control.
			
E	No está contando sobre el Marcador	1.Revise el botón "START" sobre la Caja de Control si esté encendido.	Re-aprete el botón "START" sobre la Caja de Control.
		2.Revise el "Cable de Receptor de Puck con Sensor-1 & 2" ambos estén bien conectado con la Caja de Control.	Re-enchufe el Cable de Receptor de Puck con el Sensor-1 & 2 sobre la Caja de Control y bien conectado.
		3."1 pc Scorer" fracasado de mantener el puntaje.	Intercambie el Cable de Receptor de Puck con el Sensor-1 & 2, y luego los enchufe dentro de la Caja de Control, tendrá las siguientes condiciones a/b: a)El marcador mantenga el puntaje:Cambie un nuevo Cable de Receptor de Puck con Sensor. b)Tampoco funcionar:Cambie una nueva Caja de Control.
		4."2 pcs Scorers" fracasado de mantener el puntaje.	Cambie una nueva Caja de Control.
F	No funciona el botón de la Caja de Control	Revise la "Guía de Operación de Marcador Electrónico" sobre la Instrucción de Montaje.	Refiere la Guía de Operación de Marcador Electrónico y la re-opere. Si tampoco funciona, cambie una nueva Caja de Control.