

Thermador® | *An American Icon™*

VENTILATION USE AND CARE MANUAL

MODELS: VCI2



Table of Contents

About This Manual	1
How This Manual Is Organized	1
Safety	1
Important Safety Instructions	1
Operation	2
Before Using the Appliance for the First Time	2
Operation	3
Getting the Most out of Your Appliance	3
Tips (For Best Results)	3
Cleaning and Maintenance	3
Cleaning	3
Maintenance	5
Service	6
Before Calling Service	6
Warranty	7

Questions?

1-800-735-4328

www.thermador.com
5551 McFadden Ave.
Huntington Beach, CA 92649

We look forward to hearing from you!

About This Manual

How This Manual Is Organized

This manual contains several sections:

- The *Overview* section describes the features and functionality, including a description of how to set it up and operate the control panel.
- The *Operation* section describes how to operate and get the best performance out of each component.
- The *Cleaning and Maintenance* section describes how to clean and maintain your appliance.
- The *Service* section includes troubleshooting tips and your Warranty.

Before using your appliance, be sure to read this manual. Pay special attention to the **Important Safety Instructions** located at the beginning of the manual.

Safety



Important Safety Instructions

READ AND SAVE THESE INSTRUCTIONS

Important Safety Instructions

Fire Safety

- Always have a working smoke detector near the kitchen.
- **WARNING - TO REDUCE THE RISK OF A GREASE FIRE:**
 - a) Never leave surface units unattended at high settings. Boilovers cause smoking and greasy spillovers that may ignite. Heat oils slowly on low or medium settings.
 - b) Always turn hood ON when cooking at high heat or when flambing food (i.e. Crepes Suzette, Cherries Jubilee, Peppercorn Beef Flambe').
 - c) Clean ventilating fans frequently. Grease should not be allowed to accumulate on fan or filter.
 - d) Use proper pan size. Always use cookware appropriate for the size of the surface element.
- In the event that personal clothing or hair catches fire, drop and roll immediately to extinguish flames.
- Smother flames from food fires other than grease fires with baking soda. Never use water on cooking fires.
- **WARNING - TO REDUCE THE RISK OF INJURY TO PERSONS IN THE EVENT OF A RANGE TOP GREASE FIRE, OBSERVE THE FOLLOWING:**
 - a) **SMOTHER FLAMES** with a close-fitting lid, cookie sheet, or metal tray, then turn off the burner. **BE CAREFUL TO PREVENT BURNS.** If the flames do not go out immediately, **EVACUATE AND CALL THE FIRE DEPARTMENT.**

- b) NEVER PICK UP A FLAMING PAN - You may be burned.
- c) c) DO NOT USE WATER, including wet dishcloths or towels - a violent steam explosion will result.
- d) Use an extinguisher ONLY if:
 - 1) You know you have a Class ABC extinguisher, and you already know how to operate it.
 - 2) The fire is small and contained in the area where it started.
 - 3) The fire department is being called.
 - 4) You can fight the fire with your back to an exit.
- Have an appropriate fire extinguisher available, nearby, highly visible and easily accessible near the oven.
- Whenever possible, do not operate the ventilation system during a cooktop fire. However, do not reach through fire to turn it off.

Child Safety

- When children become old enough to use the appliance, it is the legal responsibility of the parents or legal guardians to ensure that they are instructed in safe practices by qualified persons.
- Do not allow anyone to climb, stand, lean, sit, or hang on any part of an appliance, especially a door, warming drawer, or storage drawer. This can damage the appliance, and the unit may tip over, potentially causing severe injury.
- Do not allow children to use this appliance unless closely supervised by an adult. Children and pets should not be left alone or unattended in the area where the appliance is in use. They should never be allowed to play in its vicinity, whether or not the appliance is in use.
- CAUTION - Items of interest to children should not be stored in an appliance, in cabinets above an appliance or on the backsplash. Children climbing on an appliance to reach items could be seriously injured.

Proper Installation and Maintenance

- Have the installer show you the location of the circuit breaker or fuse. Mark it for easy reference.
- This appliance must be properly installed and grounded by a qualified technician. Connect only to properly grounded outlet. Refer to Installation Instructions for details.
- This appliance is intended for normal family household use only. It is not approved for outdoor use. See the Warranty. If you have any questions, contact the manufacturer.
- Do not store or use corrosive chemicals, vapors, flammables or nonfood products in or near this appliance. It is specifically designed for use when heating or cooking food. The use of corrosive chemicals in heating or cleaning will damage the appliance and could result in injury.
- Do not operate this appliance if it is not working properly, or if it has been damaged. Contact an authorized servicer.
- Do not repair or replace any part of the appliance unless specifically recommended in this manual. Refer all servicing to a factory authorized service center.
- CAUTION: Grease left on filters can remelt and move into the vent.

Operation

Before Using the Appliance for the First Time

A Note about Drafts: Drafts across the range or cooktop will reduce the effectiveness of the hood. Such drafts should be prevented when possible. The best job of

ventilation in the kitchen is done when the only air currents are those created by the blower itself

Operation

Control (Panel)

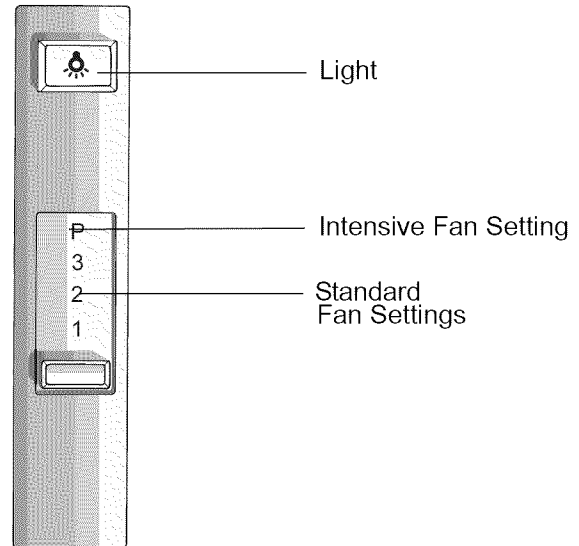


Figure 1: Control

Getting the Most out of Your Appliance

Tips (For Best Results)

The blower should be turned on for about five minutes before cooking in order to establish air currents upward through the hood. Thus when heat, smoke, moisture, grease and cooking odors are produced, they will be carried outside instead of drifting into other rooms. Use the low speeds for normal use and the higher speeds for strong odors or fumes.

Cleaning and Maintenance

Cleaning

WARNING - Be sure the entire appliance (including the grease filters and light bulbs, if applicable) has cooled and grease has solidified before attempting to clean any part of the appliance.

Daily Cleaning

Wipe with soapy water, rinse and dry.

Cleaning Guidelines

Avoid these cleaners

DO NOT use the following!

- Abrasive Pads such as those made from steel wool SOS®, Brillo® or plastic mesh.
- Abrasive cleaners such as Comet®, Ajax® and Zud®.
- Flammable products such as gasoline or kerosene.

Filters



CAUTION: To avoid fire hazard, keep filters clean. Grease left on filters can remelt and migrate along the vent path.

Aluminum Filter

Removable aluminum filters must be cleaned when they collect grease. When used over a wok or other high grease application, more frequent cleaning may be required. They can be cleaned with soap and water or in the dishwasher. When clean in the dishwasher, slight discoloration may occur.

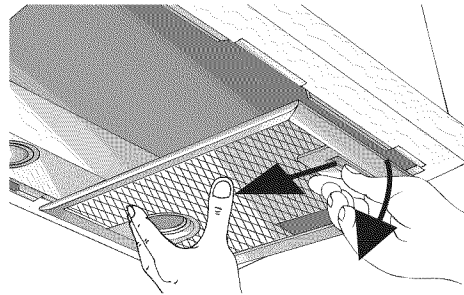


Figure 2: Aluminum Filter Removal - Step 1

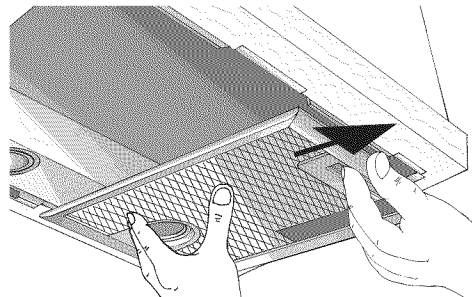


Figure 3: Aluminum Filter Removal - Step 2

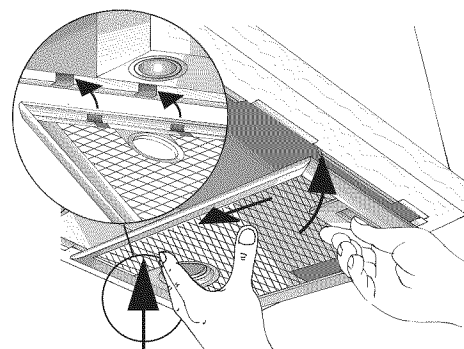


Figure 4: Aluminum Filter Removal - Step 3

Cleaning Chart

Table 1: Cleaning Chart

Part or Surface	Suggested Technique	Notes
Plastic (Buttons)	Wipe with sudsy water or household cleaners such as Fantastic® or Formula 409®, rinse well and dry with a clean soft cloth to avoid water marks.	
Stainless Steel	Wipe and dry stainless steel in the same direction as the grain. Avoid using too much pressure, which may mar the surface. To remove finger prints and give added shine, use cleaners such as Stainless Steel Magic®.	Do not allow any cleaning compounds to remain in contact with stainless steel for extended periods.
Glass	Use warm soapy water and/or a mild window cleaner.	

Maintenance

Lights



CAUTION: Turn power off at breaker before removing a damaged bulb. Do not touch the bulbs immediately after use. The bulbs will remain hot for several minutes.

- **WARNING:** Make sure the appliance and lights are cool and power to the appliance has been turned off before replacing the light bulb(s). Failure to do so could result in electrical shock or burns.
 - The lenses (if equipped) must be in place when using the appliance.
 - The lenses (if equipped) serve to protect the light bulb from breaking.
 - The lenses (if equipped) are made of glass. Handle carefully to avoid breaking. Broken glass could cause an injury.

Light Bulb Replacement

Use a 12V halogen bulb (max. 20Watt) with a two pin, G4 base.

Note: DO NOT touch a new halogen bulb with your fingertips. Grasp the bulb through a clean paper towel or facial tissue. The oils from your skin can reduce the longevity of the bulb.

Use a small flathead screwdriver (or your fingernail) to remove the lens.

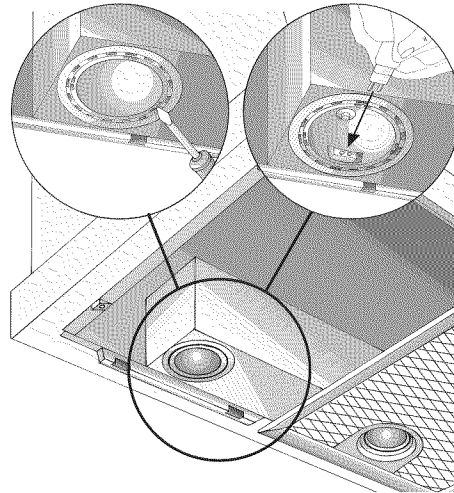


Figure 5: Light Bulb Replacement

Pull damaged bulb straight out from the socket to remove. Press pins in bulb base straight into socket until fully seated. Snap lens back into place.

Do not use cooktop while hood is disassembled, to ensure adequate ventilation.

Service

Before Calling Service

Use the suggestions in the chart below before calling for service to avoid service charges.

Troubleshooting Chart

Table 2: Troubleshooting

Problem	Suggested Solution
Noise during operation	Some noise is normal do to vibration and air movement. Excessive noise could indicate one of the following: <ol style="list-style-type: none">1. Ductwork is too small / undersized2. Ductwork is too large / oversized3. Ductwork is loose4. Transition is too small or is loose5. Wood screws are not fully tightened6. Loose screws in trim parts, etc. Check Installation Instructions to verify that ductwork is the proper size. Tighten screws.
Noise when unit is off	Backflow flap on outside of duct wall cap moves with the wind. This is normal.

Table 2: Troubleshooting

Problem	Suggested Solution
Fan motor does not work	<ol style="list-style-type: none"> 1. Power supply is insufficient 2. Electrical wiring is incorrectly connected See Installation Instructions for further information
Lights hum	A slight hum is normal
Hood trips breaker	<ol style="list-style-type: none"> 1. Electrical wiring is incorrectly connected 2. Circuit is not sufficient. See Installation Instructions for further information

How to Obtain Service or Parts

To reach a service representative, see the contact information at the front of the manual. Please be prepared with the information printed on your product data plate when calling.

Product Data Plate

The data plate shows the model and serial number. Refer to the data plate on the appliance when requesting service. It is located on the frame near the drawer. Open the drawer to view it.

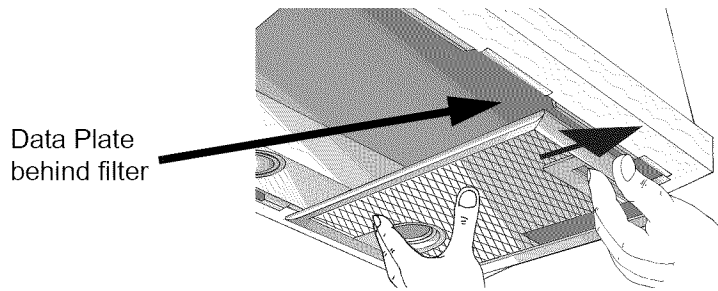


Figure 6: Data Plate Location

Warranty

What this Warranty Covers & Who it Applies to:

The limited warranty provided BSH Home Appliances ("Thermador") in this Statement of Limited Product Warranty applies only to the Thermador VCI Series Ventilation Custom Insert ("Product") sold to you, the first using purchaser, provided that the Product was purchased: (1) for your normal, household (non-commercial) use, and has in fact at all times only been used for normal household purposes; (2) new at retail (not a display, "as is", or previously returned model), and not for resale, or commercial use; and (3) within the United States or Canada, and has at all times remained within the country of original purchase. The warranties stated herein apply only to the first purchaser of the Product and are not transferable.

Please make sure to return your registration card; while not necessary to effectuate warranty coverage, it is the best way for Thermador to notify you in the unlikely event of a safety notice or product recall.

How Long the Warranty Lasts:

Thermador warrants that the Product is free from defects in materials and workmanship for a period of Three hundred sixty-five (365) days from the date of purchase. The foregoing timeline begins to run upon the date of purchase, and shall not be stalled, tolled, extended, or suspended, for any reason whatsoever.

Repair/Replace as Your Exclusive Remedy:

During this warranty period, Thermador or one of its authorized service providers will repair your Product without charge to you (subject to certain limitations stated herein) if your Product proves to have been manufactured with a defect in materi-

als or workmanship. If reasonable attempts to repair the Product have been made without success, then Thermador will replace your Product (upgraded models may be available to you, in Thermador's sole discretion, for an additional charge). All removed parts and components shall become the property of Thermador] at its sole option. All replaced and/or repaired parts shall assume the identity of the original part for purposes of this warranty and this warranty shall not be extended with respect to such parts. Thermador's sole liability and responsibility hereunder is to repair manufacturer-defective Product only, using a Thermador-authorized service provider during normal business hours. For safety and property damage concerns, Thermador highly recommends that you do not attempt to repair the Product yourself, or use an un-authorized servicer; Thermador will have no responsibility or liability for repairs or work performed by a non-authorized servicer. If you choose to have someone other than an authorized service provider work on your Product, THIS WARRANTY WILL AUTOMATICALLY BECOME NULL AND VOID. Authorized service providers are those persons or companies that have been specially trained on Thermador products, and who possess, in Thermador's opinion, a superior reputation for customer service and technical ability (note that they are independent entities and are not agents, partners, affiliates or representatives of [Thermador]). Notwithstanding the foregoing, [Thermador] will not incur any liability, or have responsibility, for the Product if it is located in a remote area (more than 100 miles from an authorized service provider) or is reasonably inaccessible, hazardous, threatening, or treacherous locale, surroundings, or environment; in any such event, if you request, Thermador would still pay for labor and parts and ship the parts to the nearest authorized service provider, but you would still be fully liable and responsible for any travel time or other special charges by the service company, assuming they agree to make the service call.

Extended Limited Warranty:

None

Out of Warranty Product:

Thermador is under no obligation, at law or otherwise, to provide you with any concessions, including repairs, pro-rates, or Product replacement, once this warranty has expired.

Warranty Exclusions:

The warranty coverage described herein excludes all defects or damage that are not the direct fault of Thermador, including without limitation, one or more of the following: (1) use of the Product in anything other than its normal, customary and intended manner (including without limitation, any form of commercial use, use or storage of an indoor product outdoors, use of the Product in conjunction with air or water-going vessels); (2) any party's willful misconduct, negligence, misuse, abuse, accidents, neglect, improper operation, failure to maintain, improper or negligent installation, tampering, failure to follow operating instructions, mishandling, unauthorized service (including self-performed "fixing" or exploration of the appliance's internal workings); (3) adjustment, alteration or modification of any kind; (4) a failure to comply with any applicable state, local, city, or county electrical, plumbing and/or building codes, regulations, or laws, including failure to install the product in strict conformity with local fire and building codes and regulations; (5) ordinary wear and tear, spills of food, liquid, grease accumulations, or other substances that accumulate on, in, or around the Product; and (6) any external, elemental and/or environmental forces and factors, including without limitation, rain, wind, sand, floods, fires, mud slides, freezing temperatures, excessive moisture or extended exposure to humidity, lightning, power surges, structural failures surrounding the appliance, and acts of God. In no event shall Thermador have any liability or responsibility whatsoever for damage to surrounding property, including cabinetry, floors, ceilings, and other structures or objects around the Product. Also excluded from this warranty are scratches, nicks, minor dents, and cosmetic damages on external surfaces and exposed parts; Products on which the serial numbers have been altered, defaced, or removed; service visits to teach you how to use the Product, or visits where there is nothing wrong with the Product; correction of installation problems (you are solely responsible for any struc-

ture and setting for the Product, including all electrical, plumbing or other connecting facilities, for proper foundation/flooring, and for any alterations including without limitation cabinetry, walls, floors, shelving, etc.); and resetting of breakers or fuses. TO THE EXTENT ALLOWED BY LAW, THIS WARRANTY SETS OUT YOUR EXCLUSIVE REMEDIES WITH RESPECT TO PRODUCT, WHETHER THE CLAIM ARISES IN CONTRACT OR TORT (INCLUDING STRICT LIABILITY, OR NEGLIGENCE) OR OTHERWISE. THIS WARRANTY IS IN LIEU OF ALL OTHER WARRANTIES, WHETHER EXPRESS OR IMPLIED. ANY WARRANTY IMPLIED BY LAW, WHETHER FOR MERCHANTABILITY OR FITNESS FOR A PARTICULAR PURPOSE, OR OTHERWISE, SHALL BE EFFECTIVE ONLY FOR THE PERIOD THAT THIS EXPRESS LIMITED WARRANTY IS EFFECTIVE. IN NO EVENT WILL THE MANUFACTURER BE LIABLE FOR CONSEQUENTIAL, SPECIAL, INCIDENTAL, INDIRECT, "BUSINESS LOSS", AND/OR PUNITIVE DAMAGES, LOSSES, OR EXPENSES, INCLUDING WITHOUT LIMITATION TIME AWAY FROM WORK, HOTELS AND/OR RESTAURANT MEALS, REMODELLING EXPENSES IN EXCESS OF DIRECT DAMAGES WHICH ARE DEFINITELY CAUSED EXCLUSIVELY BY THERMADOR, OR OTHERWISE. SOME STATES DO NOT ALLOW THE EXCLUSION OR LIMITATION OF INCIDENTAL OR CONSEQUENTIAL DAMAGES, AND SOME STATES DO NOT ALLOW LIMITATIONS ON HOW LONG AN IMPLIED WARRANTY LASTS, SO THE ABOVE LIMITATIONS MAY NOT APPLY TO YOU. THIS WARRANTY GIVES YOU SPECIFIC LEGAL RIGHTS, AND YOU MAY ALSO HAVE OTHER RIGHTS WHICH VARY FROM STATE TO STATE. No attempt to alter, modify or amend this warranty shall be effective unless authorized in writing by an officer of BSH.

How to Obtain Warranty Service:

To obtain warranty service for your Product, you should contact the nearest Thermador authorized service center.

BSH Home Appliances - 5551 McFadden Avenue, Huntington Beach, CA 92649 / 800-735-4328.

Table des matières

À propos de ce guide	1
Organisation de ce guide	1
Sécurité	1
Instructions de sécurité importantes	1
Fonctionnement	3
Avant d'utiliser l'appareil pour la première fois	3
Fonctionnement	3
Pour tirer pleinement parti de votre appareil	4
Conseils (pour obtenir de meilleurs résultats)	4
Nettoyage et entretien	4
Nettoyage	4
Entretien	6
Service	7
Avant d'appeler le service après-vente	7
Garantie	8

Questions ?

1-800-735-4328

www.thermador.com
5551 McFadden Ave.
Huntington Beach, CA 92649

Nous attendons de vos nouvelles !

À propos de ce guide

Organisation de ce guide

Ce guide contient plusieurs sections :

- La section *Généralités* décrit les fonctions et les caractéristiques de l'appareil et contient une description sur la façon de le régler et d'actionner le panneau de contrôle.
- La section *Fonctionnement* décrit comment actionner et obtenir le meilleur rendement de chaque composant.
- La section *Nettoyage et entretien* décrit la façon de nettoyer et d'entretenir l'appareil.
- La section *Service* comprend le guide de dépannage et la garantie.

Avant d'utiliser l'appareil, prière de lire attentivement ce guide. Prêter une attention toute particulière aux **Instructions de sécurité importantes** situées au début du guide.

Sécurité



Instructions de sécurité importantes

LIRE ET CONSERVER CES INSTRUCTIONS

Instructions de sécurité importantes

Sécurité-incendie

- Toujours avoir un détecteur de fumées en bon état de fonctionnement près de la cuisine.
- **AVERTISSEMENT - POUR RÉDUIRE LES RISQUES DE FEU DE GRAISSE :**
 - a) Ne jamais laisser les plaques de cuisson sur réglage élevé sans surveillance. L'ébullition peut provoquer des dégagements de fumée et des débordements pouvant prendre feu. Chauffer l'huile lentement, à feu doux ou moyen.
 - b) Toujours allumer la hotte lorsque vous cuisinez à feu vif ou que vous faites flamber des aliments (les crêpes, les cerises Jubilee ou le steak au poivre par exemple).
 - c) Nettoyer les ventilateurs fréquemment. Ne pas laisser s'accumuler la graisse sur le ventilateur ou le filtre.
 - d) Utiliser des ustensiles de cuisine de la bonne dimension . Toujours utiliser des ustensiles de cuisine de taille appropriée aux dimensions des plaques de cuisson.
- Si les vêtements ou les cheveux d'une personne prennent feu, cette dernière doit se jeter au sol et rouler sur elle-même pour éteindre les flammes.

- Éteindre les flammes d'un feu d'aliments autre qu'un feu de graisse avec du bicarbonate de soude. Ne jamais utiliser d'eau sur un feu de cuisson.
- **AVERTISSEMENT - POUR RÉDUIRE LES RISQUES DE LÉSIONS CORPORALES EN CAS DE FEU DE GRAISSE SUR LA TABLE DE CUISSON, RESPECTEZ LES CONSIGNES SUIVANTES:**
 - a) **ÉTOUFFER LES FLAMMES** à l'aide d'un couvercle ajusté, d'une plaque à biscuits ou d'un plateau en métal, puis éteindre le brûleur. **FAIRE ATTENTION À NE PAS SE BRÛLER.** Si les flammes se n'éteignent pas immédiatement, **ÉVACUER LES LIEUX ET APPELER LE SERVICE DES POMPIERS.**
 - b) **NE JAMAIS SOULEVER UN RÉCIPIENT EN FEU** - vous risquez de vous brûler.
 - c) **NE PAS UTILISER D'EAU**, y compris des serviettes mouillées - une explosion de vapeur violente pourrait en résulter.
 - d) Utiliser un extincteur **UNIQUEMENT** si :
 - 1) vous êtes sûr qu'il s'agit d'un extincteur de classe ABC, et vous en connaissez le maniement ;
 - 2) l'incendie est peu étendu et est limité à la zone où il s'est déclenché ;
 - 3) le service des pompiers a été appelé ;
 - 4) vous pouvez combattre l'incendie le dos tourné vers une sortie.- Avoir un extincteur approprié disponible à proximité ; il doit être visible et facilement accessible près du four.
- Si possible, ne pas faire fonctionner le système de ventilation dans le cas d'un feu sur l'appareil de cuisson. Toutefois, ne pas passer par dessus le feu pour l'éteindre.

Sécurité des enfants

- Dès que les enfants sont en âge d'utiliser l'appareil, il est de la responsabilité des parents ou des tuteurs légaux de veiller à ce qu'ils soient informés des pratiques de sécurité par une personne qualifiée.
- Ne permettre à personne de grimper, rester debout, s'appuyer, s'asseoir ou se pencher sur toute partie d'un appareil, notamment une porte, un tiroir-réchaud ou un tiroir de rangement. Ceci peut endommager l'appareil qui risque de basculer et de causer des blessures graves.
- Ne pas permettre aux enfants d'utiliser cet appareil sauf sous la surveillance attentive d'un adulte. Ne pas laisser les enfants et les animaux seuls ou sans surveillance lorsque l'appareil est en service. Ne jamais les laisser jouer aux alentours de l'appareil, que ce dernier soit en service ou non.
- **ATTENTION** - ne pas ranger des objets qui présentent un intérêt pour les enfants dans l'appareil, les placards placés au-dessus de l'appareil ou sur le dossier. Les enfants peuvent grimper sur l'appareil pour atteindre ces objets et se blesser sérieusement.

Installation et entretien corrects

- Demander à l'installateur de vous indiquer l'emplacement du disjoncteur ou du fusible. Identifiez-le pour pouvoir le trouver facilement.
- Cet appareil doit être correctement installé et mis à terre par un technicien qualifié. Il ne doit être branché que sur une prise correctement reliée à la terre. Pour plus de détails, se reporter aux instructions d'installation.
- Cet appareil est destiné à un usage domestique familial normal. Il n'est pas approuvé pour l'usage en extérieur. Voir la Garantie. Pour toute question, communiquer avec le fabricant.
- Ne pas entreposer ni utiliser de produits chimiques corrosifs, vapeurs, matières inflammables ou produits non alimentaires à l'intérieur ou à proximité de cet appareil. Il a été spécialement conçu pour être utilisé pendant le chauffage et la cuisson des aliments. L'emploi de produits chimiques corrosifs pour chauffer ou nettoyer peut endommager l'appareil et occasionner des blessures.
- Ne pas utiliser cet appareil s'il ne fonctionne pas correctement, ou s'il est endommagé. Communiquer avec un service de réparation autorisé.

- Ne pas réparer ou remplacer une pièce quelconque de l'appareil à moins de recommandations spécifiques dans ce guide. Toute réparation doit être confiée à un centre de réparation agréé par l'usine.
- ATTENTION : la graisse accumulée sur les filtres peut se refondre et être expulsée dans le ventilateur.

Fonctionnement

Avant d'utiliser l'appareil pour la première fois

Une remarque au sujet des courants d'air : Des courants d'air au-dessus de la cuisinière ou de la surface de cuisson nuisent à l'efficacité de la hotte. Ceci devra être évité lorsque possible. La meilleure ventilation dans la cuisine s'effectue lorsque les courants d'air sont uniquement ceux créés par la soufflerie.

Fonctionnement

Commandes (Panneau)

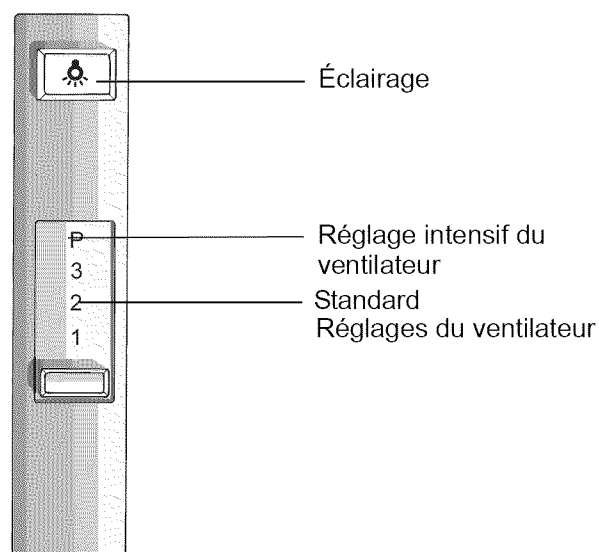


Figure 1: Commandes

Pour tirer pleinement parti de votre appareil

Conseils (pour obtenir de meilleurs résultats)

La soufflerie doit être en circuit pendant environ cinq minutes avant la cuisson pour établir la ventilation sous la hotte. Ainsi, la chaleur, la fumée, la vapeur, la graisse et les odeurs de cuisson s'évacuent au lieu de rester dans les pièces. Utiliser une vitesse plus basse pour une utilisation normale et plus élevée pour les odeurs fortes et la fumée.

Nettoyage et entretien

Nettoyage

AVERTISSEMENT - s'assurer que l'appareil tout entier (y compris, le cas échéant, les filtres à graisses et les ampoules) a entièrement refroidi et que la graisse s'est solidifiée avant de procéder au nettoyage de l'appareil.

Nettoyage quotidien

Essuyer avec de l'eau savonneuse, rincer et laisser sécher.

Consignes de nettoyage

Éviter d'employer les produits d'entretien suivants

NE PAS utiliser les produits suivants !

- Les tampons abrasifs tels que ceux fabriqués à partir de paille de fer du type SOS®, Brillo® ou en toile plastique.
- Les produits d'entretien abrasifs tels que Comet®, Ajax® et Zud®.
- Les produits inflammables comme l'essence ou le kérosène.

Filtres



ATTENTION : pour éviter les risques d'incendie, conserver les filtres propres. La graisse accumulée sur les filtres peut se refondre et se déplacer dans le circuit de ventilation de la hotte.

Filtre en aluminium

Les filtres en aluminium amovibles doivent être nettoyés lorsqu'ils sont recouverts de graisse. Si l'on utilise un wok ou une autre méthode de cuisson à forte utilisation de graisse, ils devront être nettoyés plus fréquemment. Les filtres peuvent être nettoyés avec de l'eau et du savon ou dans un lave-vaisselle. Si vous utilisez un lave-vaisselle, une légère décoloration est possible.

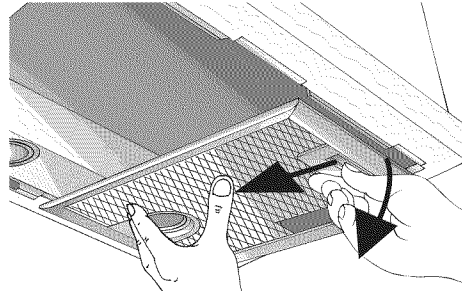


Figure 2: Retrait des filtres en aluminium- Étape 1

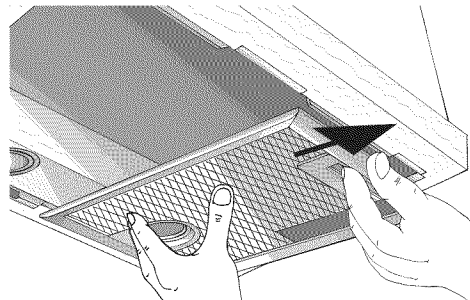


Figure 3: Retrait des filtres en aluminium- Étape 2

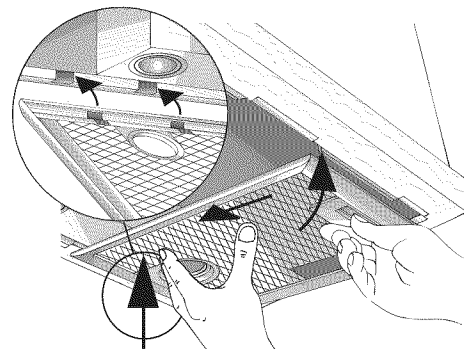


Figure 4: Retrait des filtres en aluminium- Étape 3

Tableau de nettoyage

Tableau 1: Tableau de nettoyage

Pièce ou surface	Technique suggérée	Remarques
Plastique (Boutons)	Essuyer en utilisant de l'eau savonneuse ou un produit d'entretien tel que Fantastic® ou Formula 409®, bien rincer et sécher avec un chiffon doux et propre pour éliminer les traces d'eau.	
Acier inoxydable	Essuyer et sécher l'acier inoxydable dans la direction des grains. Éviter d'exercer une pression excessive, afin de ne pas rayer la surface. Pour retirer les empreintes de doigts et faire briller, utiliser des produits d'entretien tels que Stainless Steel Magic®.	Ne pas laisser l'acier inoxydable en contact avec un quelconque produit d'entretien pendant une durée de temps prolongée.
Verre	Utiliser de l'eau savonneuse tiède et/ou un produit d'entretien pour fenêtres.	

Entretien

Éclairage



ATTENTION : couper le courant au niveau du disjoncteur avant de changer une ampoule endommagée. Ne pas toucher les ampoules immédiatement après les avoir utilisées. Les ampoules resteront chaudes pendant plusieurs minutes.

- **AVERTISSEMENT** : avant de remplacer une ou plusieurs ampoules, s'assurer que l'appareil et les ampoules ont refroidi et que le courant qui alimente l'appareil est coupé. Le non respect de cette consigne peut entraîner un choc électrique ou des brûlures.
 - Les lentilles de protection (s'il y en a) doivent être mises en place lorsque l'appareil est en fonctionnement.
 - Les lentilles de protection (s'il y en a) servent à protéger l'ampoule contre toute cassure.
 - Les lentilles de protection (s'il y en a) sont en verre. Elles sont à manipuler avec précautions afin de ne pas les casser. Les brisures de verre risquent de causer des lésions.

Remplacement de l'ampoule

Employer une ampoule à halogène de 12 V (maximum 20 watts) avec une base G4 à deux broches.

Remarque : **NE PAS** toucher une ampoule à halogène avec les doigts. Saisir l'ampoule avec une feuille de papier essuie-tout propre ou un mouchoir de papier. Les huiles de la peau peuvent réduire la longévité de l'ampoule.

Utiliser un petit tournevis à lame plate (ou vos doigts) pour retirer les lentilles de protection.

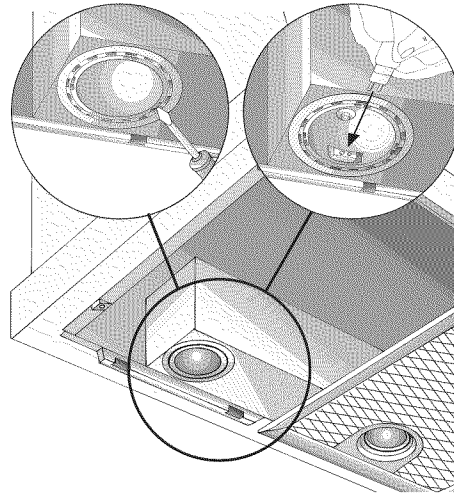


Figure 5: Remplacement de l'ampoule

Tirer tout droit pour sortir l'ampoule endommagée de la douille. Enfoncez les broches tout droit dans la douille de l'ampoule jusqu'à ce qu'elle soit bien en place. Enclencher la lentille en place.

Ne pas utiliser la surface de cuisson si la hotte est démontée. Une ventilation adéquate doit être assurée.

Service

Avant d'appeler le service après-vente

Avant d'appeler le service après-vente, essayer les solutions proposées dans le tableau ci-dessous pour éviter de payer des frais de déplacement.

Tableau de dépannage

Tableau 2: Dépannage

Problème	Solution proposée
Bruit pendant le fonctionnement.	Le bruit est normal et provient des vibrations et du mouvement de l'air. Un bruit excessif indique : <ol style="list-style-type: none">1. conduit trop petit / sous-dimensionné2. conduit trop grand / sur-dimensionné3. conduit lâche4. transition trop petite ou lâche5. vis à bois mal serrées6. vis dans garniture lâches, etc. Consulter les instructions d'installation pour vérifier si le conduit est de la taille qui convient. Serrer les vis.

Tableau 2: Dépannage

Problème	Solution proposée
Bruit même si l'appareil ne fonctionne pas	Le volet de refoulement à l'extérieur du conduit bouge à cause du vent. Ceci est normal.
Moteur du ventilateur ne fonctionne pas	1. Alimentation insuffisante à la hotte 2. Les fils ne sont pas bien branchés Pour des informations supplémentaires, consulter les instructions d'installation.
Éclairage bruyant	Un léger bruit est normal.
La hotte fait sauter le disjoncteur	1. Les fils ne sont pas bien branchés 2. Circuit inadéquat. Pour des informations supplémentaires, consulter les instructions d'installation.

Comment obtenir le service après-vente ou des pièces

Plaque signalétique

Pour joindre un représentant du service après-vente, voir les coordonnées indiquées au début de ce guide. Veuillez avoir l'information imprimée sur la plaque signalétique de votre produit à portée de main lorsque vous effectuez un appel.

La plaque signalétique indique les numéros de modèle et de série. Se reporter à la plaque signalétique de l'appareil lors de chaque appel au service après-vente. Celle-ci se trouve sur le cadre de l'appareil, près du tiroir. Ouvrir le tiroir pour la voir.

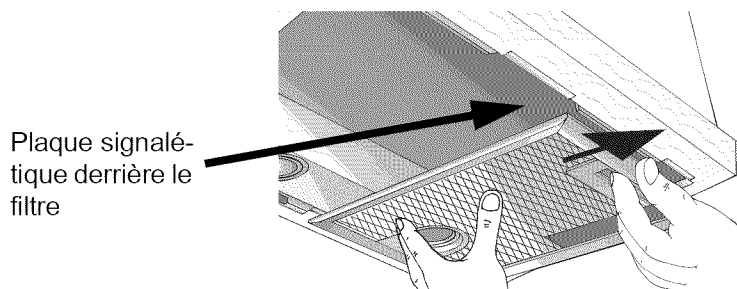


Figure 6: Emplacement de la plaque signalétique

Garantie

Que couvre cette garantie & à qui elle s'applique :

la garantie limitée fournie par BSH Home Appliances ("Thermador") dans cet énoncé de garantie de produit limitée s'applique uniquement à l'Insert de ventilation fait sur mesure de la série VCI de Thermador (le "produit") qui vous est vendu, soit le premier acheteur à l'utiliser, à condition que le produit ait été acheté : (1) pour un usage domestique normal (non commercial) et qu'il ait effectivement en tout temps été utilisé uniquement à des fins domestiques normales; (2) à l'état neuf au détail (et non comme un modèle d'exposition, "tel quel" ou ayant déjà été retourné), et non à des fins de revente ou d'utilisation commerciale ; et (3) aux États-Unis ou au Canada, et qu'il soit en tout temps demeuré dans le pays d'achat d'origine. Les garanties énoncées aux présentes s'appliquent uniquement à l'acheteur initial du produit et ne sont pas cessibles.

Assurez-vous de retourner votre carte d'enregistrement ; bien que ce ne soit pas nécessaire de le faire pour que la garantie soit valide, c'est la meilleure façon de

permettre à Thermador de vous informer dans l'éventualité improbable d'un avis de sécurité ou d'un retrait de produit du marché.

Durée de cette garantie :

Thermador garantit que le produit est exempt de vice de matériel ou de malfaçon pendant une période de trois cent soixante cinq (365) jours à compter de la date d'achat. Cette durée commence à courir à la date de l'achat et ne doit pas pour quelque raison que ce soit être différée, faire l'objet de droits, être prolongée ou interrompue.

Votre recours exclusif se limite à la réparation ou au remplacement :

pendant la période de la présente garantie, Thermador ou l'un de ses fournisseurs de service après-vente agréés réparera votre produit sans frais (sous réserve de certaines restrictions précisées dans les présentes) s'il est démontré que la fabrication de votre produit présente un vice de matériel ou de malfaçon. Si des tentatives raisonnables de réparation du produit ont été faites sans succès, alors Thermador remplacera votre produit (des modèles améliorés peuvent vous être offerts, à la seule discrétion de Thermador, moyennant des frais supplémentaires). Toutes les pièces et tous les composants enlevés deviennent la propriété de Thermador à son entière discrétion. Toutes les pièces remplacées et/ou réparées sont assimilables à la pièce d'origine aux fins de la présente garantie, cette dernière n'étant pas prolongée en ce qui concerne de telles pièces. L'unique responsabilité de Thermador prévue aux présentes consiste à réparer un produit comportant un vice de fabrication uniquement, en ayant recours à un fournisseur de service après-vente agréé de Thermador pendant les heures normales d'ouverture. Par souci de sécurité et pour des questions de dommages matériels, Thermador vous recommande fortement de ne pas tenter de réparer vous-même le produit ou d'avoir recours à un réparateur non agréé ; Thermador ne sera pas responsable des réparations ou du travail effectué par un mécanicien d'entretien non agréé. Si vous choisissez de demander à une personne qui n'est pas un fournisseur de service après-vente agréé de travailler sur votre produit, LA PRÉSENTE GARANTIE DEVIENDRA AUTOMATIQUEMENT NULLE ET NON AVENUE. Les fournisseurs de service après-vente agréés sont des personnes ou des sociétés ayant reçu une formation spéciale pour les produits de Thermador, qui jouissent, de l'avis de Thermador, d'une réputation supérieure en matière de service à la clientèle et de compétences techniques (veuillez noter qu'il s'agit d'entités indépendantes et non de mandataires, d'associés, de filiales ou de représentants de [Thermador]) Malgré ce qui précède, [Thermador] n'assumera aucune responsabilité à l'égard du produit s'il se trouve dans une région éloignée (à plus de 100 miles d'un fournisseur de service après-vente agréé) ou s'il est raisonnablement inaccessible, s'il se trouve dans un lieu, un milieu ou un environnement dangereux, inquiétant ou traître, auquel cas, si vous le demandez, Thermador paiera quand même la main-d'oeuvre et les pièces et expédiera les pièces au fournisseur de service après-vente agréé le plus proche, mais vous demeurez quand même entièrement responsable des frais de déplacement ou autres frais spéciaux demandés par la société qui fournit le service après-vente, dans l'hypothèse où elle accepte de faire un déplacement pour effectuer la réparation.

Garantie limitée à long terme :

Aucune

Produit qui n'est plus couvert par la garantie :

Thermador n'est pas tenue, en droit ou autrement, de vous consentir quoi que ce soit, y compris des réparations, des tarifs proportionnels ou un remplacement de produit, après l'expiration de la présente garantie.

Exclusions de la garantie :

La garantie décrite aux présentes exclut tous les défauts ou dommages qui ne résultent pas de la faute directe de Thermador, y compris mais non de façon limitative, un ou plusieurs des éléments suivants : (1) l'utilisation du produit à toute autre fin que son usage normal, habituel et prévu (y compris mais non de façon limitative, toute forme d'usage commercial, l'usage ou l'entreposage à l'extérieur de produits devant être utilisés à l'intérieur, l'utilisation du produit conjointement avec des aéronefs ou des bateaux ; (2) l'inconduite volontaire, la négligence, la

mauvaise utilisation, l'utilisation abusive, les accidents, la négligence, le fonctionnement inapproprié, le défaut d'entretenir, l'installation inappropriée ou négligente, l'altération, le défaut de suivre les directives d'utilisation, la manipulation sans précaution, le service non autorisé (y compris la réparation effectuée soi-même ou l'exploration des mécanismes internes de l'appareil) de la part de tout partie ; (3) l'ajustement, l'altération ou la modification de toute sorte ; (4) le non-respect des codes, règlements ou lois étatiques, locaux, municipaux ou de comté régissant l'électricité, la plomberie et/ou le bâtiment y compris le défaut d'installer le produit dans le respect le plus strict des codes et règlements en matière d'incendie et de bâtiment ; (5) l'usure normale, le renversement d'aliments, de liquides, les accumulations de graisse ou les autres substances qui s'accumulent sur le produit à l'intérieur ou autour de celui-ci ; et (6) les forces et facteurs externes, des éléments et/ou de l'environnement, y compris mais non de façon limitative, la pluie, le vent, le sable, l'inondation, l'incendie, les glissements de terrain, les températures de gel, l'humidité excessive ou l'exposition prolongée à l'humidité, la foudre, les surintensités, les défaillances des structures qui entourent l'appareil et les cas de force majeure. Thermador ne sera en aucun cas responsable de quelque manière que ce soit des dommages occasionnés aux biens environnants, y compris les armoires de rangement, les planchers, les plafonds et les autres structures ou objets qui se trouvent autour du produit. Sont également exclus de la présente garantie les égratignures, les encoches, les bosselures et les dommages touchant l'apparence des surfaces externes et des pièces exposées ; les produits dont les numéros de série ont été modifiés, rendus illisibles ou enlevés; les déplacements du personnel de service après-vente pour vous enseigner comment utiliser le produit, ou les déplacements lorsque le produit ne présente aucun problèmes ; la correction de problèmes d'installation (vous êtes seul responsable de toute structure et de la mise en place du produit, y compris les installations électriques, de plomberie ou autres installations de raccordement, de la mise en place de fondations ou d'un parquet appropriés, et de toute modification devant être apportées, y compris mais non de façon limitative, aux armoires de rangement, murs, planchers, rayonnages, etc.) ; ainsi que le réglage des disjoncteurs ou des fusibles. DANS LA MESURE OÙ LA LOI L'AUTORISE, LA PRÉSENTE GARANTIE ÉNONCE VOS RECOURS EXCLUSIFS EN CE QUI CONCERNE LE PRODUIT, PEU IMPORTE SI LA RÉCLAMATION EST DE NATURE CONTRACTUELLE OU DÉLICTEUEUSE (Y COMPRIS LA RESPONSABILITÉ ABSOLUE OU LA NÉGLIGENCE) OU AUTRE. LA PRÉSENTE GARANTIE REMPLACE TOUTES LES AUTRES GARANTIES, EXPRESSES OU IMPLICITES. TOUTE GARANTIE IMPLICITE EN VERTU DE LA LOI, QUE CE SOIT À DES FINS DE QUALITÉ MARCHANDE OU D'ADAPTATION À UN USAGE PARTICULIER, OU AUTREMENT, EST EN VIGUEUR UNIQUEMENT PENDANT LA PÉRIODE AU COURS DE LAQUELLE LA PRÉSENTE GARANTIE LIMITÉE EXPRESSE EST EN VIGUEUR. LE FABRICANT NE SERA EN AUCUN CAS TENU POUR RESPONSABLE DES DOMMAGES, PERTES OU FRAIS CONSÉCUTIFS, PARTICULIERS, ACCESSOIRES, INDIRECTS ET/OU PUNITIFS, DES "PERTES COMMERCIALES", Y COMPRIS MAIS NON DE FAÇON LIMITATIVE, LE TEMPS D'ABSENCE AU TRAVAIL, L'HÉBERGEMENT ET/OU LES REPAS AU RESTAURANT, LES FRAIS DE REMANIEMENT EN EXCÉDENT DES DOMMAGES DIRECTS QUI SONT CAUSÉS DÉFINITIVEMENT ET EXCLUSIVEMENT PAR THERMADOR, OU AUTREMENT. CERTAINS ÉTATS NE PERMETTENT PAS QUE DES EXCLUSIONS OU DES RESTRICTIONS SOIENT IMPOSÉES SUR LES DOMMAGES ACCESSOIRES OU CONSÉCUTIFS, ET CERTAINS ÉTATS NE PERMETTENT PAS QUE DES RESTRICTIONS SOIENT IMPOSÉES À LA DURÉE D'UNE GARANTIE IMPLICITE DE SORTE QUE LES RESTRICTIONS STIPULÉES PLUS HAUT PEUVENT NE PAS S'APPLIQUER À VOUS. LA PRÉSENTE GARANTIE VOUS DONNE DES DROITS JURIDIQUES PARTICULIERS ET VOUS POUVEZ AUSSI AVOIR D'AUTRES DROITS QUI VARIENT D'UN ÉTAT À L'AUTRE. Aucune tentative de modifier la présente garantie n'aura d'effet à moins d'être autorisée par écrit par un dirigeant de BSH.

**Comment obtenir le service
au titre de la garantie**

Pour obtenir un service au titre de la garantie pour votre produit, vous devriez communiquer avec le centre de service après-vente agréé de Thermador le plus proche.

BSH Home Appliances - 5551 McFadden Avenue, Huntington Beach, CA 92649
USA / 800-735-4328.

Índice

Acerca de este manual	1
Cómo se organiza este manual.	1
Seguridad	1
Instrucciones de seguridad importantes	1
Operación	3
Antes de usar el electrodoméstico por primera vez	3
Operación	3
Cómo aprovechar al máximo su electrodoméstico	3
Consejos (Para obtener los mejores resultados)	3
Limpieza y mantenimiento	4
Limpieza	4
Mantenimiento	5
Servicio técnico	6
Antes de llamar al servicio técnico	6
Garantía	8

¿Preguntas?

1-800-735-4328

www.thermador.com
5551 McFadden Ave.
Huntington Beach, CA 92649

¡Esperamos tener noticias tuyas pronto!

Acerca de este manual

Cómo se organiza este manual

Este manual contiene diversas secciones:

- La sección *Descripción general* describe las características y las funciones, incluida una explicación para configurar y operar el panel de control.
- La sección *Operación* describe cómo operar cada componente y aprovechar al máximo su rendimiento.
- La sección *Limpieza y mantenimiento* describe cómo limpiar y mantener su electrodoméstico.
- La sección *Servicio técnico* incluye consejos para resolver los problemas y la garantía.

Antes de usar el electrodoméstico, asegúrese de leer este manual. Preste especial atención a las **Instrucciones de seguridad importantes** que se encuentran al comienzo del manual.

Seguridad



Instrucciones de seguridad importantes

LEA Y CONSERVE ESTAS INSTRUCCIONES

Instrucciones de seguridad importantes

Seguridad para evitar incendios

- Siempre tenga un detector de humo en funcionamiento cerca de la cocina.
- **ADVERTENCIA - PARA REDUCIR EL RIESGO DE INCENDIO OCASIONADO POR GRASA:**
 - a) Nunca deje las unidades de la superficie sin vigilancia en valores altos. Los derrames por hervor causan humo y salpicaduras grasosas que pueden prenderse fuego. Caliente los aceites despacio a temperaturas bajas o medianas.
 - b) Siempre encienda la campana al cocinar a una temperatura alta o al flambear alimentos (p. ej., crepas Suzette, cerezas Jubilee, carne flambada con granos de pimienta).
 - c) Limpie los ventiladores extractores con frecuencia. No se debe permitir la acumulación de grasa en el ventilador ni en el filtro.
 - d) Use el tamaño adecuado de olla. Siempre use utensilios de cocina apropiados para el tamaño del elemento de la superficie.
- En el caso de que su ropa o cabello se prendan fuego, arrójese al piso y ruede de inmediato para extinguir las llamas.
- Sofoque las llamas provocadas por alimentos que se prenden fuego, que no sean incendios ocasionados por grasa, con bicarbonato de sodio. Nunca use agua en incendios ocasionados al cocinar.

- **ADVERTENCIA: PARA REDUCIR EL RIESGO DE LESIONES A PERSONAS EN CASO DE INCENDIO OCASIONADO POR GRASA EN LA PARRILLA, SIGA ESTAS INDICACIONES:**
 - a) **SOFOQUE LAS LLAMAS** con una tapa que ajuste correctamente, una placa para galletas u otra bandeja de metal, luego, apague la hornilla. **ASEGÚRESE DE PREVENIR LAS QUEMADURAS.** Si las llamas no se apagan de inmediato, **EVACUE EL ÁREA Y LLAME AL DEPARTAMENTO DE BOMBEROS.**
 - b) **NUNCA LEVANTE UNA OLLA EN LLAMAS**, se puede quemar.
 - c) **NO USE AGUA**, ni repasadores ni toallas húmedos; puede ocasionar una violenta explosión por vapor.
 - d) Use un extinguidor **SÓLO** si:
 - 1) Sabe que tiene un extinguidor Clase ABC y ya sabe cómo usarlo.
 - 2) El incendio es pequeño y se limita al área donde se originó.
 - 3) Alguien llamó al departamento de bomberos.
 - 4) Si puede combatir el incendio con la espalda en dirección a una salida.
- Tenga un extinguidor de incendio disponible, cerca, en un área fácilmente visible y accesible, cerca del horno.
- Si es posible, no ponga el sistema de ventilación en funcionamiento si hay un incendio en la placa. Pero no atravesese el fuego con la mano para apagarla.

Seguridad de los niños

- Cuando los niños tienen la edad adecuada para utilizar el electrodoméstico, es responsabilidad legal de los padres o tutores legales asegurarse de que reciban las instrucciones sobre prácticas seguras por parte de personas calificadas.
- No permita que nadie se suba, pare, incline, siente o cuelgue de cualquier parte de un electrodoméstico, especialmente una puerta, cajón calentador o cajón para almacenamiento. Esto puede dañar el electrodoméstico, y la unidad puede caerse y, posiblemente, causar lesiones graves.
- No permita que los niños utilicen este electrodoméstico, a menos que sean supervisados de cerca por un adulto. Los niños y las mascotas no deben quedar solos o sin vigilancia en el área donde se utilice el electrodoméstico. Nunca se les debe permitir jugar cerca del electrodoméstico, independientemente de que esté en funcionamiento o no.
- **PRECAUCIÓN:** los objetos de interés para niños no deben almacenarse en un electrodoméstico, en gabinetes sobre un electrodoméstico ni en la placa antisalpaduras. Si los niños se suben a un electrodoméstico para alcanzar estos objetos podrían sufrir lesiones graves.

Instalación y mantenimiento adecuados

- Pídale al instalador que le muestre la ubicación del disyuntor o el fusible. Márquelo para recordarlo más fácilmente.
- Este electrodoméstico debe ser correctamente instalado y conectado a tierra por un técnico calificado. Conéctelo sólo a una toma de corriente correctamente conectada a tierra. Para obtener más información, consulte las Instrucciones de instalación.
- Este electrodoméstico ha sido diseñado para el uso doméstico normal de una familia únicamente. No está aprobado para uso en exteriores. Consulte la garantía. Si tiene alguna pregunta, comuníquese con el fabricante.
- No almacene ni utilice productos químicos corrosivos, vapores, materiales inflamables ni productos no alimenticios dentro de este electrodoméstico ni cerca de él. Está específicamente diseñado para usarlo al calentar o cocinar alimentos. El uso de productos químicos corrosivos al calentar o limpiar dañará el electrodoméstico y podría causar lesiones.
- No utilice este electrodoméstico si no funciona correctamente o si ha sido dañado. Comuníquese con un centro de servicio técnico autorizado.
- No repare ni cambie ninguna parte del electrodoméstico, a menos que se recomiende específicamente en este manual. Remita todas las reparaciones a un centro de servicio técnico autorizado por la fábrica.
- **PRECAUCIÓN:** La grasa acumulada en los filtros puede volver a derretirse y entrar en las aberturas de ventilación.

Operación

Antes de usar el electrodoméstico por primera vez

Nota sobre corrientes de aire: Las corrientes de aire a través de la estufa o placa reducirán la efectividad de la campana. Si es posible, estas corrientes de aire deben prevenirse. La mejor ventilación en la cocina se logra cuando las únicas corrientes de aire que ingresan son las generadas por el propio soplador.

Operación

Control (Panel)

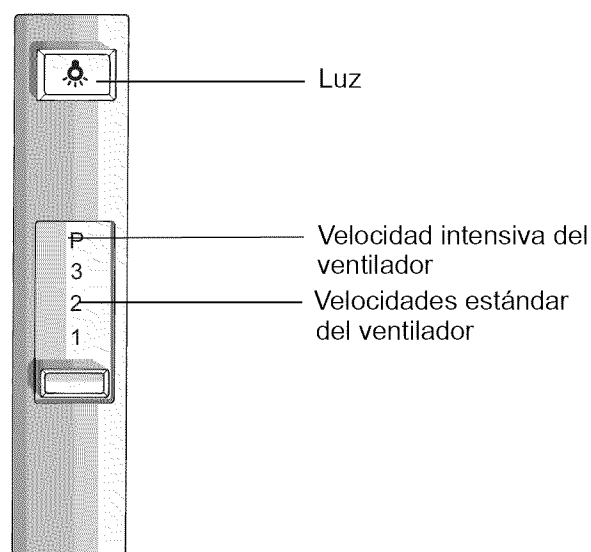


Figura 1: Control

Cómo aprovechar al máximo su electrodoméstico

Consejos (Para obtener los mejores resultados)

Debe encender el soplador durante cinco minutos antes de cocinar para establecer las corrientes de aire hacia arriba a través de la campana. De esta manera, cuando se generen calor, humo, humedad, grasa y olores de cocina, estos serán conducidos hacia afuera en lugar de trasladarse a las demás habitaciones. Use las velocidades bajas para uso normal y las velocidades altas para olores y emanaciones fuertes.

Limpieza y mantenimiento

Limpieza

ADVERTENCIA: Asegúrese de que todo el electrodoméstico (incluidos los filtros de grasa y los focos, si corresponde) se haya enfriado y la grasa se haya solidificado antes de intentar limpiar cualquier parte del electrodoméstico.

Limpieza diaria

Limpie con agua jabonosa, enjuague y seque.

Pautas de limpieza

Evite usar estos limpiadores

¡NO use los siguientes!

- Esponjas abrasivas como las que están hechas de lana de acero SOS®, Brillo® o de malla de plástico.
- Limpiadores abrasivos como Comet®, Ajax® y Zud®.
- Productos inflamables como gasolina o queroseno.

Filtros



PRECAUCIÓN: Mantenga limpios los filtros para evitar los riesgos de incendio. La grasa acumulada en los filtros puede volver a derretirse y entrar en las aberturas de ventilación.

Filtro de aluminio

Se deben limpiar los filtros de aluminio desmontables cuando tienen grasa acumulada. Cuando se utilizan sobre un wok u otra aplicación con mucha grasa, se deben limpiar con mayor frecuencia. Se pueden limpiar con agua y jabón o en un lavavajillas. Cuando los limpie en el lavavajillas, puede producirse una ligera decoloración.

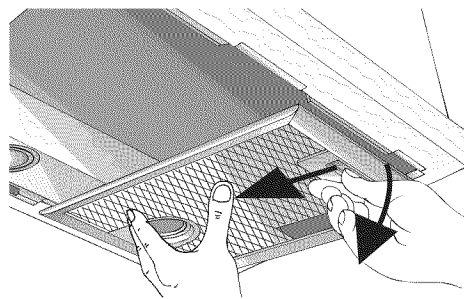


Figura 2: Extracción del filtro de aluminio - Paso 1

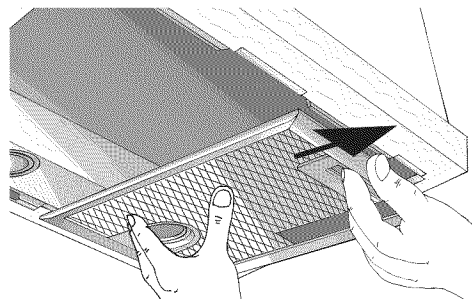


Figura 3: Extracción del filtro de aluminio - Paso 2

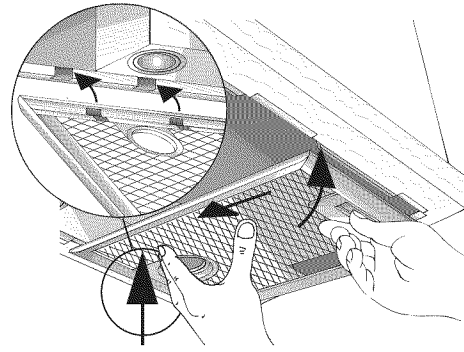


Figura 4: Extracción del filtro de aluminio - Paso 3

Cuadro de limpieza

Tabla 1: Cuadro de limpieza

Pieza o superficie	Técnica sugerida	Notas
Plástico (Botones)	Limpie con agua jabonosa o limpiadores de uso doméstico como Fantastic® o Formula 409®, enjuague bien y seque con un paño suave limpio para que no queden marcas de agua.	
Acero inoxidable	Limpie y seque el acero inoxidable en la misma dirección del grano. No haga demasiada presión, ya que podría estropear la superficie. Para sacar las huellas digitales y darle más brillo, use limpiadores como Stainless Steel Magic®.	No deje ningún compuesto de limpieza en contacto con el acero inoxidable durante períodos largos.
Vidrio	Use agua jabonosa tibia y/o limpiador para ventanas suave.	

Mantenimiento

Luces



PRECAUCIÓN: Apague el suministro eléctrico en el disyuntor antes de retirar un foco dañado. No toque los focos inmediatamente después de que hayan estado en uso. Los focos permanecen calientes durante varios minutos.

- **ADVERTENCIA:** Asegúrese de que el electrodoméstico y las luces se hayan enfriado y de que el suministro eléctrico esté apagado antes de cambiar el (los) foco(s). No hacerlo puede ocasionar una descarga eléctrica o quemaduras.
 - La lente (si viene incorporada) debe estar en su lugar al usar el electrodoméstico.
 - La lente (si viene incorporada) sirve para proteger el foco contra roturas.

- La lente (si viene incorporada) es de vidrio. Manipúlela con cuidado para que no se rompa. El vidrio roto puede causar una lesión.

Cambio de focos

Use un foco halógeno de 12 V (20 vatios como máximo) con una base G4 de dos patas.

Nota: NO toque un foco halógeno nuevo con los dedos. Tome el foco con una toalla de papel limpia o un pañuelo de limpieza facial. Los aceites de la piel pueden reducir la vida útil del foco.

Use un destornillador de cabeza plana (o la uña) para retirar la lente.

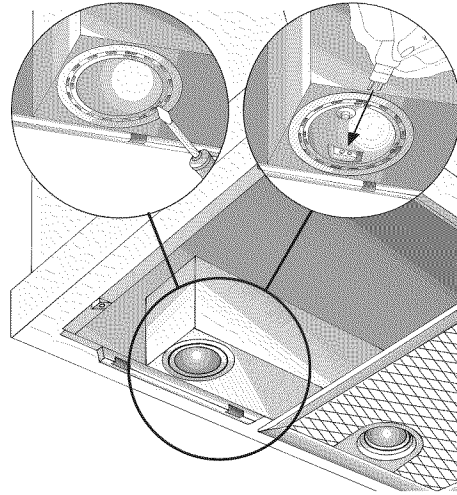


Figura 5: Cambio de focos

Jale el foco dañado del portalámparas. Presione las patas de la base del foco en el portalámparas hasta que el foco quede totalmente asentado. Vuelva a colocar la lente a presión.

No use la placa mientras la campana está desarmada, para tener una ventilación adecuada.

Servicio técnico

Antes de llamar al servicio técnico

Use las sugerencias del cuadro que aparece a continuación antes de llamar al servicio técnico para evitar cargos por dichos servicios.

Cuadro de resolución de problemas

Tabla 2: Resolución de problemas

Problema	Solución sugerida
Ruidos durante la operación	<p>Un poco de ruido es normal debido a la vibración y al movimiento de aire. Un ruido excesivo indica una de las siguientes condiciones:</p> <ol style="list-style-type: none"> 1. El conducto es muy pequeño 2. El conducto es muy grande 3. El conducto está suelto 4. La transición es muy pequeña o está floja 5. Los tornillos para madera no están bien ajustados 6. Los tornillos en las partes de la moldura, etc. están flojos <p>Consulte las Instrucciones de instalación para verificar si el conducto es del tamaño adecuado. Ajuste los tornillos.</p>
Hay ruido cuando la unidad está apagada	<p>La aleta de contraflujo en el exterior de la tapa de pared del conducto se mueve con el viento. Esto es normal.</p>
El motor del ventilador no funciona	<ol style="list-style-type: none"> 1. La alimentación eléctrica es insuficiente 2. Los cables eléctricos no están correctamente conectados <p>Consulte las Instrucciones de instalación para obtener más información</p>
Zumbido de las luces	<p>Un zumbido ligero es normal</p>
La campana activa el disyuntor	<ol style="list-style-type: none"> 1. Los cables eléctricos no están correctamente conectados 2. El circuito no es suficiente. <p>Consulte las Instrucciones de instalación para obtener más información</p>

Cómo obtener servicio técnico o piezas

Placa de datos del producto

Para consultar a un representante de servicio técnico, remítase a la información de contacto que aparece en el frente del manual. Cuando llame, tenga a la mano la información impresa en la placa de datos de su producto.

La placa de datos muestra el modelo y el número de serie. Al solicitar servicio técnico, consulte la placa de datos del electrodoméstico. Está ubicada en el marco cerca del cajón. Abra el cajón para verla.

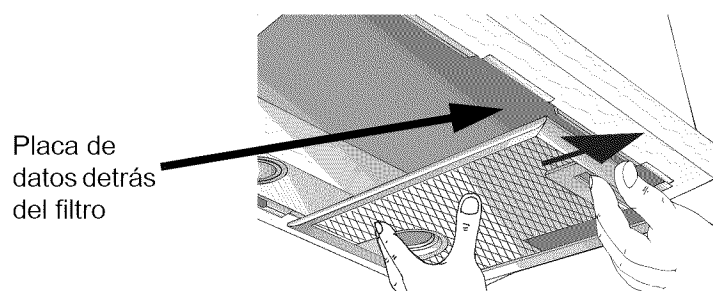


Figura 6: Ubicación de la placa de datos

Garantía

Cobertura de esta garantía y a quiénes se aplica:

La garantía limitada otorgada por BSH Home Appliances ("Thermador") en esta Declaración de Garantía Limitada del Producto se aplica únicamente a la Campana extractora a medida Thermador Serie VCI ("Producto") vendida a usted, el primer comprador usuario, siempre que el Producto haya sido comprado: (1) para su uso doméstico (no comercial) normal y haya sido utilizado en todo momento únicamente para fines domésticos normales; (2) nuevo en una tienda minorista (no sea un producto de exhibición, ni un producto vendido "en las condiciones en que se encuentra" ni un modelo devuelto anteriormente) y no esté destinado para reventa ni uso comercial; y (3) dentro de los Estados Unidos o Canadá, y permanezca en todo momento dentro del país de compra original. Las garantías incluidas por el presente se aplican únicamente al primer comprador del Producto y no son transferibles.

Asegúrese de devolver su tarjeta de registro; si bien no es necesario para hacer efectiva la cobertura de la garantía, es la mejor manera para que Thermador le notifique, en el caso poco probable, de un aviso de seguridad o retiro del mercado de un producto.

Duración de la garantía:

Thermador garantiza que el Producto no tiene defectos en los materiales ni en la mano de obra durante un período de trescientos sesenta y cinco (365) días a partir de la fecha de compra. El período precedente comienza a regir a partir de la fecha de compra y no se interrumpirá, dejar sin efecto, extenderá ni suspenderá por ningún motivo.

Reparación/reemplazo como único recurso:

Durante el período de esta garantía, Thermador o uno de sus proveedores de servicio técnico autorizados reparará su Producto sin cargo para usted (con sujeción a determinadas limitaciones especificadas en el presente) si se prueba que su Producto ha sido fabricado con un defecto en los materiales o en la mano de obra. Si se ha intentado de manera razonable para reparar el Producto sin éxito, Thermador reemplazará su Producto (es posible que usted tenga disponibles modelos mejorados, a entera discreción de Thermador, por un cargo adicional). Todas las piezas y los componentes extraídos serán propiedad de Thermador], a su entera discreción. Todas las piezas reemplazadas y/o reparadas se considerarán como la pieza original a los fines de esta garantía, y esta garantía no se extenderá con respecto a dichas piezas. En virtud del presente, la única y exclusiva responsabilidad y obligación de Thermador es únicamente reparar el Producto defectuoso de fábrica, a través de un proveedor de servicio técnico autorizado por Thermador durante el horario normal de oficina. Por cuestiones de seguridad y daños materiales, Thermador recomienda categóricamente que usted no intente reparar el Producto usted mismo ni use un centro de servicio técnico no autorizado; Thermador no tendrá responsabilidad ni obligación alguna por las reparaciones o trabajos realizados por un centro de servicio técnico no autorizado. Si usted prefiere que una persona que no es un proveedor de servicio técnico autorizado trabaje en su Producto, **ESTA GARANTÍA SE ANULARÁ AUTOMÁTICAMENTE**. Los proveedores de servicio técnico autorizados son aquellas personas o compañías que han sido especialmente capacitadas para manejar los productos de Thermador, y que tienen, según el criterio de Thermador, una reputación superior de servicio al cliente y capacidad técnica (debe tener en cuenta que son entidades independientes y no son agentes, socios, afiliados ni representantes de [Thermador]). Sin perjuicio de lo que antecede, [Thermador] no tendrá responsabilidad ni obligación alguna por el Producto que se encuentre en un área remota (a más de 100 millas de un proveedor de servicio técnico autorizado) o en un lugar, área circundante o entorno que no sea accesible por medios razonables o que sea peligroso, hostil o arriesgado; en cualquier caso, a su solicitud, Thermador de todas maneras pagará por la mano de obra y las piezas y enviará las piezas al proveedor de servicio técnico autorizado más cercano,

pero usted seguirá siendo totalmente responsable por el tiempo de viaje y demás cargos especiales de la compañía de servicio técnico, suponiendo que acepte hacer la visita de servicio técnico.

Garantía limitada extendida:

Ninguna

Producto fuera de garantía:

Thermador no tiene obligación alguna, en virtud de la ley o por otro motivo, para otorgarle ninguna concesión, incluidos reparaciones, prorrates o reemplazo del Producto, con posterioridad al vencimiento de la garantía.

Exclusiones de la garantía:

La cobertura de garantía descrita en el presente excluye todos los defectos o daños que no fueron provocados directamente por Thermador, incluidos, entre otros, alguno de los siguientes: (1) uso del Producto de maneras distintas del uso normal, habitual y previsto (incluidos, entre otros, cualquier forma de uso comercial, uso o almacenamiento en exteriores de un producto diseñado para interiores, uso del Producto en aeronaves o embarcaciones); (2) conducta indebida, negligencia, uso indebido, abuso, accidentes, descuido, operación inadecuada, omisión de mantener, instalación inadecuada o negligente, adulteración, omisión de seguir las instrucciones de operación, manipulación inadecuada, servicio técnico no autorizado (incluidos "arreglos" o exploración de los mecanismos internos del electrodoméstico realizados por uno mismo) por parte de cualquier persona; (3) ajuste, alteración o modificación de cualquier tipo; (4) incumplimiento de los códigos, reglamentaciones o leyes de electricidad, plomería y/o construcción locales, municipales o de condado, incluida la omisión de instalar el producto cumpliendo estrictamente con los códigos y reglamentaciones locales de construcción y protección contra incendios; (5) desgaste habitual, derrames de alimentos, líquidos, acumulaciones de grasa u otras sustancias que se acumulen sobre, dentro o alrededor del Producto; y (6) cualquier fuerza y factor externo, elemental y/o ambiental, incluidos, entre otros, lluvia, viento, arena, inundaciones, incendios, aludes de lodo, temperaturas bajas extremas, humedad excesiva o exposición prolongada a la humedad, rayos, sobrecargas eléctricas, fallas estructurales alrededor del electrodoméstico y caso fortuito. En ningún caso, Thermador tendrá responsabilidad ni obligación alguna por los daños ocasionados a los bienes circundantes, incluidos los gabinetes, pisos, techos y demás estructuras u objetos que se encuentren alrededor del producto. También se excluyen de esta garantía las rayas, hendiduras, abolladuras menores y daños estéticos en superficies externas y piezas expuestas; productos en los cuales los números de serie hayan sido alterados, modificados o eliminados; visitas del servicio técnico para enseñarle a usar el Producto o visitas en las que se determine que no hay ningún problema con el Producto; corrección de los problemas de instalación (usted es el único responsable de cualquier estructura y soporte del Producto, incluidas las instalaciones de electricidad y plomería o demás instalaciones de conexión, de la correcta instalación en bases/pisos y de cualquier alteración, incluidos, entre otros, gabinetes, paredes, pisos, repisas, etc.); y el restablecimiento de disyuntores o fusibles. EN LA MEDIDA PERMITIDA POR LA LEY, ESTA GARANTÍA ESTABLECE SUS RECURSOS EXCLUSIVOS CON RESPECTO AL PRODUCTO, INDEPENDIENTEMENTE DE QUE LA RECLAMACIÓN SEA CONTRACTUAL O EXTRA CONTRACTUAL (INCLUIDA LA RESPONSABILIDAD OBJETIVA O LA NEGLIGENCIA), O DE CUALQUIER OTRO MODO. ESTA GARANTÍA REEMPLAZA TODAS LAS DEMÁS GARANTÍAS EXPRESAS O IMPLÍCITAS. LAS GARANTÍAS IMPLÍCITAS POR LEY, YA SEA DE COMERCIALIZACIÓN O APTITUD PARA UN FIN ESPECÍFICO, O DE CUALQUIER OTRO TIPO, TENDRÁN VIGENCIA ÚNICAMENTE POR EL PERÍODO DE VIGENCIA DE LA PRESENTE GARANTÍA LIMITADA EXPRESA. EN NINGÚN CASO, EL FABRICANTE SERÁ RESPONSABLE POR LOS DAÑOS CONSECUENTES, ESPECIALES, INCIDENTALES, INDIRECTOS, POR "PÉRDIDAS COMERCIALES" Y/O DAÑOS PUNITIVOS, PÉRDIDAS O GASTOS, INCLUIDOS, ENTRE OTROS, TIEMPO FUERA DEL TRABAJO, HOTELES Y/O COMIDAS EN RESTAURANTES, GASTOS DE REMODELACIÓN QUE SUPEREN LOS DAÑOS DIRECTOS, QUE DEFINITIVAMENTE HAYAN SIDO CAUSADOS DE MANERA

EXCLUSIVA POR THERMADOR O DE OTRO MODO. ALGUNOS ESTADOS NO PERMITEN LA EXCLUSIÓN O LIMITACIÓN DE DAÑOS INCIDENTALES O CONSECUENTES, Y ALGUNOS ESTADOS NO PERMITEN LIMITACIONES CON RESPECTO AL PLAZO DE VIGENCIA DE UNA GARANTÍA IMPLÍCITA, POR LO TANTO, ES POSIBLE QUE LAS LIMITACIONES PRECEDENTES NO SE APLIQUEN. ESTA GARANTÍA LE OTORGA DERECHOS LEGALES ESPECÍFICOS, Y TAMBIÉN PUEDEN CORRESPONDERLE OTROS DERECHOS QUE PUEDEN VARIAR SEGÚN EL ESTADO. Ningún intento de alterar, modificar o enmendar la presente garantía entrará en vigencia, a menos que fuera autorizado por escrito por un ejecutivo de BSH.

Cómo obtener el servicio técnico de la garantía:

Para obtener el servicio técnico de la garantía de su Producto, debe comunicarse con el centro de servicio autorizado de Thermador más cercano.

BSH Home Appliances - 5551 McFadden Avenue, Huntington Beach, CA 92649 / 800-735-4328.

Thermador[®] | *An American Icon*[™]

5551 McFadden Avenue, Huntington Beach CA, 92649 • 800-735-4328 • www.thermador.com
9000134575 • 10013 RevB • 10/06 © BSH Home Appliances Corporation • Litho in U.S.A.