

OPERATOR'S MANUAL

MANUAL DEL OPERADOR



12in. 4A STRING TRIMMER

12in. 4A RECORTADORA DE HILO

MODEL NO.

138.74544

NÚMERO DE MODELO

138.74544



⚠ WARNING: To reduce the risk of injury, the user must read and understand the operator's manual before using this product.

⚠ ADVERTENCIA: Para reducir el riesgo de lesiones, el usuario debe leer y comprender el manual del operador antes de usar este producto.

Customer Help Line: 1-888-266-7096

Teléfono de atención al consumidor: 1-888-266-7096

Sears Brands Management Corporation, 3333 Beverly Rd., Hoffman Estates, IL 60179 USA

Visit the Craftsman web page: www.sears.com/craftsman

Visite el sitio web de Craftsman: www.sears.com/craftsman

Save this manual for future reference
Guarde este manual para futuras consulta



TABLE OF CONTENTS / ÍNDICE DE CONTENIDO

ENGLISH

■ Warranty.....	2
■ Introduction.....	2
■ Important Safety Instructions	3-4
■ Symbols	5
■ Features	6
■ Assembly	6-7
■ Operation	7-8
■ Maintenance	9
■ Troubleshooting	10
■ Illustrated View and Parts List	11
■ Figure Numbers (Illustrations).....	i-ii
■ Parts Ordering / Service.....	Back Page

ESPAÑOL

■ Garantía	2
■ Introducción	2
■ Instrucciones de seguridad importantes	3-4
■ Símbolos	5
■ Características	6-7
■ Armado	7
■ Funcionamiento	7-9
■ Mantenimiento	9-10
■ Corrección de problemas	10
■ Figura numeras (ilustraciones).....	i-ii
■ Pedidos de piezas / Servicio	Pág. posterior

WARRANTY / GARANTÍA

CRAFTSMAN® TWO YEAR FULL WARRANTY

FOR TWO YEARS from the date of purchase, this string trimmer is warranted against any defects in material or workmanship. The battery and charger are warranted against such defects for one year from the purchase date. Defective product will be replaced free of charge.

For warranty coverage details to obtain free replacement, visit the web site: www.craftsman.com.

This warranty does not cover trimmer line and spool, which are expendable parts that can wear out from normal use within the warranty period.

This warranty is void if this product is ever used while providing commercial services or if rented to another person.

This warranty gives you specific legal rights, and you may also have other rights which vary from state to state.

Sears Brands Management Corporation, Hoffman Estates, IL 60179

GARANTÍA COMPLETA DE DOS AÑOS CRAFTSMAN®

Este recortadora de hilo tiene garantía por cualquier defecto en material o mano de obra DURANTE DOS AÑOS desde la fecha de compra. Las baterías y el cargador tienen garantía por cualquier defecto durante un año desde la fecha de compra. Los productos defectuosos se reemplazarán sin cargo.

Para conocer los detalles sobre la cobertura de la garantía para obtener un reemplazo gratuito, visite el sitio web: www.craftsman.com.

Esta garantía no cubre el hilo de la recortadora ni el carrete. Éstas son piezas consumibles que se pueden desgastar con el uso normal durante el período de la garantía.

La garantía pierde validez si este producto se utiliza mientras se prestan servicios comerciales o si se alquila a otra persona.

Esta garantía le otorga derechos legales específicos y es posible que también tenga derechos que varían según el estado.

Sears Brands Management Corporation, Hoffman Estates, IL 60179

INTRODUCTION / INTRODUCCIÓN

This tool has many features for making its use more pleasant and enjoyable. Safety, performance, and dependability have been given top priority in the design of this product making it easy to maintain and operate.

Esta herramienta ofrece numerosas características para hacer más agradable y placentero su uso. En el diseño de este producto se ha conferido prioridad a la seguridad, el desempeño y la fiabilidad, por lo cual se facilita su manejo y mantenimiento.

IMPORTANT SAFETY INSTRUCTIONS

⚠ WARNING! When using electric gardening appliances, basic safety precautions should always be followed to reduce the risk of fire, electric shock and personal injury.

READ ALL INSTRUCTIONS




- For safe operation, read and understand all instructions before using this product. Follow all safety instructions. Failure to follow all safety instructions listed below, can result in serious personal injury.
- Do not allow children or untrained individuals to use this unit.
- Check the work area before each use. Remove all objects such as rocks, broken glass, nails, wire, or string which can be thrown or become entangled in the machine.
- Wear eye protection which is marked to comply with ANSI Z87.1 when operating this product.
- Use Safety Glasses – Always use face or dust mask if operation is dusty.
- Always wear safety glasses with side shields.
- Everyday glasses have only impact resistant lenses. They are NOT safety glasses.
- Following this rule will reduce the risk of eye injury. Use face mask if operation is dusty.
- Dress Properly – Use rubber gloves and substantial footwear is recommended when working outdoors.
- Wear heavy, long pants, boots, and gloves. Do not wear loose fitting clothing, short pants, or go barefoot. Do not wear jewelry of any kind. Secure long hair above shoulder level to prevent entanglement in moving parts.
- Keep children away - Keep all bystanders, children, and pets at least 50 ft. away.
- Stay alert - Do not operate this unit when you are tired, ill, or under the influence of alcohol, drugs, or medication.
- Do not operate in poor lighting.
- Keep all parts of your body away from any moving part.
- Do not operate power tools in explosive atmospheres, such as in the presence of flammable liquids, gases, or dust. Power tools create sparks which may ignite the dust or fumes.
- To reduce the risk of electric shock, this tool has a polarized plug (one blade is wider than the other) and will require the use of a polarized extension cord. The plug will fit into a polarized extension cord only one way. If the plug does not fit fully into the extension cord, reverse the plug. If the plug still does not fit, obtain a correct polarized extension cord. A polarized extension cord will require the use of a polarized wall outlet. This plug will fit into the polarized wall outlet only one way. If the plug does not fit fully into the wall outlet, reverse the plug. If the plug still does not fit, contact a qualified electrician to install the proper wall outlet. Do not change the equipment plug, extension cord receptacle, or extension cord plug in any way.
- Avoid body contact with grounded surfaces such as pipes, radiators, ranges, and refrigerators. There is an increased risk of electric shock if your body is grounded.
- Avoid Dangerous Environments - Don't expose power tools to rain or wet conditions. Water entering a power tool will increase the risk of electric shock.
- Ground Fault Circuit Interrupter (GFCI) protection should be provided on the circuit (s) or outlet(s) to be used for the gardening appliance. Receptacles are available having built-in GFCI protection and may be used for this measure of safety.
- Use Right Appliance - Do not force tool. Use the correct tool for your application. The correct tool will do the job better and safer at the rate for which it is designed.
- Do not operate the equipment while barefoot or when wearing sandals or similar lightweight footwear. Wear protective footwear that will protect your feet and improve your footing on slippery surfaces.
- Do not overreach. Keep firm footing and balance. Over-reaching can result in loss of balance.







IMPORTANT SAFETY INSTRUCTIONS

- Avoid Accidental Start – Do not carry plugged in appliance with finger on trigger. Be sure the switch trigger is not en-gaged before plugging in.
- Do not use tool if switch trigger does not turn it on or off. Any tool that cannot be controlled with the switch trigger is dangerous and must be repaired.
- Disconnect appliance from power source before storing, servicing, changing accessories such as cutting line. Such preventive safety measures reduce the risk of starting the tool accidentally.
- Use only identical manufacturer's replacement parts and accessories. Use of any other parts may create a hazard or cause product damage.
- Maintain appliance with care - Replace string head if cracked, chipped, or damaged in any way.
- Be sure the string head is properly installed and securely fastened. Failure to do so can cause serious injury.
- Make sure all guards, straps, deflectors and handles are properly and securely attached.
- Use only the manufacturer's replacement string in the cutting head. Do not use any other cutting attachment, for example, metal wire, rope, or the like. To install any other brand of cutting head to this string trimmer can result in serious personal injury.
- Never operate unit without the grass deflector in place and in good condition.
- Check damaged parts. Before further use of the tool, a guard or other part that is damaged should be carefully checked to determine that it will operate properly and perform its intended function. Check for alignment of moving parts, binding of moving parts, breakage of parts, mounting and any other conditions that may affect its operation. A guard or other part that is damaged must be properly repaired or replaced by an authorized service center to avoid risk of personal injury.
- Maintain a firm grip on both handles while trimming. Keep string head below waist level.
- Never cut with the string head located over 30in, or more above the ground.
- Store idle appliances - When not in use, string trimmer should be stored indoors in a dry, locked place out of the reach of children. Make sure your extension cord is in good condition. When using an extension cord, be sure to use one heavy enough to carry the current your product will draw. A wire gauge size (A.W.G.) of at least 16 is recommended for an extension cord 50 feet or less in length. A cord exceeding 100 feet is not recommended. If in doubt, use the next heavier gauge. The smaller the gaugenummer, the heavier the cord. An undersized cord will cause a drop in line voltage resulting in loss of power and overheating.
- Never use blades or flailing devices. Unit is designed for line trimmer use only. Use of any other accessories or attachments will increase the risk of injury. Inspect area to be cut. Remove objects (rocks, broken glass, nails, wire, string, etc.) which can be thrown or become entangled in cutting head.
- Keep the air vents clean and free of debris to avoid overheating the motor. Clean after each use.
- Stop the unit and disconnect the power source when not in use. Carry the unit with the motor stopped.
- Store unplugged and out of the reach of children.
- Do not hang unit so that the switch trigger is depressed.
- Do not use multiple cords.
- Do not abuse the cord. Never carry the unit by the extension cord or yank extension cord to disconnect unit.
- Keep the extension cord clear of operator and obstacles at all times. Do not expose cords to heat, oil, water, or sharp edges. If the power supply cord is damaged, it must be replaced only by the manufacturer or by an authorized service center to avoid risk.
- Save these instructions. Refer to them frequently and use them to instruct others who may use this power tool. If you loan someone this power tool, loan them these instructions also.

SYMBOLS

The following signal words and meanings are intended to explain the levels of risk associated with this product.

SYMBOL	SIGNAL	MEANING
	DANGER:	Indicates an imminently hazardous situation, which, if not avoided, will result in death or serious injury.
	WARNING:	Indicates a potentially hazardous situation, which, if not avoided, could result in death or serious injury.
	CAUTION:	Indicates a potentially hazardous situation, which, if not avoided, may result in minor or moderate injury.
	CAUTION:	(Without Safety Alert Symbol) Indicates a situation that may result in property damage.

SYMBOL	NAME	DESIGNATION/EXPLANATION
V	Volts	Voltage
A	Amperes	Current
Hz	Hertz	Frequency (cycles per second)
W	Watt	Power
min	Minutes	Time
~	Alternating Current	Type of current
≡	Direct Current	Type or a characteristic of current
	Class II Construction	Double-insulated construction
	Wet Conditions Alert	Do not expose to rain or use in damp locations
	Read The Operator's Manual	To reduce the risk of injury user must read and understand operator's manual before using this product.
	Safety Alert	Precautions that involve your safety.
	Keep Bystanders Away	Keep all bystanders at least 50 ft. away.
	Eye Protection	Always wear safety goggles or safety glasses with side shields and, as necessary, a full face shield when operating this product.

ELECTRICAL

When working outdoors with a product, use an extension

designated with “WA” on the cord’s jacket.

Before using any extension cord, inspect it for loose or exposed wires and cut or worn insulation.

**Ampere rating (on product data plate)

0-2.0 2.1-3.4 3.5-5.0 5.1-7.0 7.1-12.0 12.1-16.0

Cord Length	Wire Size (A.W.G.)					
25´	16	16	16	16	14	14
50´	16	16	16	14	14	12
100´	16	16	14	12	10	—

**Used on 12 gauge - 20 amp circuit.

NOTE: AWG = American Wire Gauge

WARNING:

Keep the extension cord clear of the working area. Position the cord so that it will not get caught on lumber, tools, or other obstructions while you are working with a power tool. Failure to do so can result in serious personal injury.

WARNING:

Check extension cords before each use. If damaged replace immediately. Never use product with a damaged cord since touching the damaged area could cause electrical shock resulting in serious injury.

FEATURES

PRODUCT SPECIFICATIONS

Input.....120 V AC 60Hz 4 Amp
Cutting Path.....12 in.
Feed type.....0.065 in. bump & feed

Replacement Spool Part Number.....71-85967
Replacement Cutting line Part Number.....71-85822

KNOW YOUR STRING TRIMMER

See Figure 1, page i.

The safe use of this product requires an understanding of the information on the tool and in this operator’s manual as well as a knowledge of the project you are attempting. Before use of this product, familiarize yourself with all operating features and safety rules.

CORD RETAINER

A convenient cord retainer helps keep the extension cord connection secure during string trimmer operation.

EDGER GUIDE

The easily mounted edger guide allows the string trimmer to perform as an edger.

FRONT HANDLE

The string trimmer is equipped with a front handle assembly for ease of operation and to prevent loss of control.

GRASS DEFLECTOR

The trimmer includes a grass deflector that helps protect from flying debris.

ROTATING REAR HANDLE

The rotating rear handle on the string trimmer can be locked in two different positions for ease of use when edging.

TELESCOPING BOOM

The string trimmer can be adjusted to different extension points for ease of use.

ASSEMBLY

UNPACKING

This product requires assembly.

- Carefully remove the product and any accessories from the box. Make sure that all items listed in the packing list are included.

PACKING LIST

String Trimmer
Grass Deflector Assembly with Screws
Operator’s Manual

ASSEMBLY

⚠ WARNING: Do not use this product if it is not completely assembled or if any parts appear to be missing or damaged. Use of a product that is not properly and completely assembled could result in serious personal injury.

- Inspect the product carefully to make sure no breakage or damage occurred during shipping.
- Do not discard the packing material until you have carefully inspected and satisfactorily operated the product.
- If any parts are damaged or missing, please call 1-888-266-7096 for assistance.

⚠ WARNING: If any parts are damaged or missing do not operate this product until the parts are replaced. Use of this product with damaged or missing parts could result in serious personal injury.

⚠ WARNING: Do not attempt to modify this product or create accessories not recommended for use with this product. Any such alteration or modification is misuse and could result in a hazardous condition leading to possible serious personal injury.

ATTACHING GRASS DEFLECTOR

See Figure 2 - 3, page i.

⚠ WARNING: The line cut-off blade on the grass deflector is sharp. Avoid contact with the blade. Failure to avoid contact can result in serious personal injury.

- Remove supplied screw with a phillips screwdriver from the trimmer head.
- Fit the grass deflector into the slots on trimmer head.
- Turn counterclockwise to lock grass deflector into place.
- Line up the screw hole in the grass deflector with the center hole in the trimmer head.
- Install supplied screw and tighten by turning clockwise with a phillips screwdriver.

ATTACHING THE FRONT HANDLE

See Figure 3, page i.

- Loosen and remove the knob from the handle.
- Install the handle on the rear handle pole in the area indicated by the illustration.
- Adjust handle up or down, if necessary, to desired operating position.
- Reinstall the knob. Tighten it to secure.

OPERATION

⚠ WARNING: If any parts are damaged or missing, do not operate this product until the parts are replaced. Failure to heed this warning could result in serious personal injury.

⚠ WARNING: Do not attempt to modify this product or create accessories not recommended for use with this product. Any such alteration or modification is misuse and could result in a hazardous condition leading to possible serious personal injury.

⚠ WARNING: Do not connect to power supply until assembly is complete. Failure to comply could result in accidental starting and possible serious personal injury.

STARTING/STOPPING THE TRIMMER

See Figure 4 - 5, page i.

Attach the outlet end of an extension cord to the plug on the rear of the string trimmer.

NOTE: Use only approved outdoor extension cords.

- Route the extension cord through the slot located on the rear of the string trimmer housing and place underneath the cord retainer.

- To start the string trimmer, press the switch trigger.
- To stop the string trimmer, release the switch trigger.
- If any parts are damaged or missing, please call 1-888-266-7096 for assistance.

OPERATING THE TRIMMER

See Figure 6, page i.

Follow these tips when using the string trimmer:

- Hold the trimmer with your right hand on the rear handle and your left hand on the front handle.
- Keep a firm grip with both hands while in operation.
- Trimmer should be held at a comfortable position with the rear handle about hip height.
- Cut tall grass from the top down. This will prevent grass from wrapping around the shaft housing and string head.

If grass becomes wrapped around the string head:

- Stop the trimmer.
- Unplug the string trimmer.
- Remove the grass.

OPERATION

THE CUTTING LINE

⚠ WARNING: DO NOT grasp the exposed cutting line when picking up or holding the trimmer.

A single 0.065-inch round cutting line is pre-installed on the trimmer. When the cutting line needs replacing, install a new pre-wound spool, Craftsman 71-85967.

EXTENDING THE CUTTING LINE

See Figure 7, page ii.

During operation, cutting lines shorten due to normal wear. For greater convenience and efficiency, your trimmer has been equipped with a bump feed head that allows you to simply bump the trimmer head to extend the cutting lines while the trimmer is operating. Cutting line will wear faster and require more feeding if the cutting or edging is done along sidewalks or other abrasive surfaces or heavier weeds are being cut.

- While the trimmer is on and spinning, gently bump the spool housing on a firm surface (hard ground or sidewalk). This should release additional cutting line from the spool.
- If no line is released, bump the trimmer head more sharply or try bumping it on a firmer surface.
- If there is no change in the cutting line length, un-plug the trimmer's pigtail power cord from the extension cord. After the trimmer head stops rotating, gently pull at the cutting lines manually. Once the lines are pulled out (extended), plug the trimmer's pigtail power cord into the extension cord and resume cutting.
- If the cutting line still does not feed from the spool, the spool might be empty or the cutting line may be tangled or jammed on the spool. Un-plug the trimmer's pigtail power cord from the extension cord. After the trimmer head stops rotating, remove the spool (see steps 1 through 3 in "Removing the Spool" on page 9). If the line is tangled or jammed, untangle and replace the line. If the spool is empty, replace the spool.

⚠ WARNING: To avoid injury, ALWAYS turn off and disconnect the trimmer from the power outlet BEFORE installing parts or cleaning the trimmer or making any adjustments.

CUTTING TIPS

See Figure 8, page ii.

- Keep the trimmer tilted toward the area being cut; this is the best cutting area.
- The string trimmer cuts when passing the unit from left to right. This will avoid throwing debris at the operator. Avoid cutting in the dangerous area shown in figure 8.
- Use the tip of the string to do the cutting; do not force string head into uncut grass.
- Wire and picket fences cause extra string wear, even breakage. Stone and brick walls, curbs, and wood may wear strings rapidly.
- Avoid trees and shrubs. Tree bark, wood moldings, siding, and fence posts can easily be damaged by the strings.

TELESCOPING BOOM

See Figure 9, page ii.

The boom can be extended or shortened for ease of use.

- Unplug the string trimmer.
- Unscrew telescoping boom coupler and slide to desired position.
- Tighten telescoping boom coupler.

THREE-POSITION PIVOTING HEAD

See Figure 10, page ii.

- Unplug the string trimmer.
- Depress the pivot button and move the trimmer head up or down to one of the three positions indicated by the notches.

NOTE: Adjust the trimmer head to the first and second notches from trimming and edging, based on preferred trimming and edging position. Adjust to the third notch for storage only.

- Make sure the trimmer head is securely locked into place.

ROTATING REAR HANDLE

- Unplug the string trimmer.
- Pull up edging coupler and turn handle end counterclockwise.
- Release edging boom coupler when handle has been rotated 180°.

EDGING

See Figure 11-13, page ii.

The rotating handle can be used in combination with the edger guide for edging sidewalks and walkways. To use the edger guide, flip down from its stored position.

MAINTENANCE

⚠ WARNING: When servicing, use only identical replacement parts. Use of any other parts may create a hazard or cause product damage.

⚠ WARNING: Always wear eye protection with side shields marked to comply with ANSI Z87.1. Failure to do so could result in objects being thrown into your eyes, resulting in possible serious injury.

⚠ WARNING: To avoid serious personal injury, always remove the battery pack from the product when cleaning or performing any maintenance.

GENERAL MAINTENANCE

Before each use, inspect the entire product for damaged, missing, or loose parts such as screws, nuts, bolts, caps, etc. Tighten securely all fasteners and caps and do not operate this product until all missing or damaged parts are replaced. Please call 1-888-266-7096 or contact an authorized service center for assistance.

Avoid using solvents when cleaning plastic parts. Most plastics are susceptible to damage from various types of commercial solvents and may be damaged by their use. Use clean cloths to remove dirt, dust, oil, grease, etc.

⚠ WARNING: Do not at any time let brake fluids, gasoline, petroleum-based products, penetrating oils, etc., come in contact with plastic parts. Chemicals can damage, weaken or destroy plastic which may result in serious personal injury.

Only the parts shown on the parts list are intended to be repaired or replaced by the customer. All other parts should be replaced at an Authorized Service Center.

TO REPLACE CUTTING LINE

REMOVE THE SPOOL *See Figure 14, page ii.*

For easy spool replacement we recommend using Craftsman 71-85967, bump feed replacement spool with 0.065 cutting line. It is factory wound for maximum reliability.

- Disconnect the trimmer from the power supply. Turn trimmer over to access spool head cover.

⚠ WARNING: To avoid injury, ALWAYS turn off and disconnect the trimmer from the power outlet BEFORE installing parts or cleaning the trimmer or making any adjustments.

- Press the release tabs on the spool head cover and remove cover, pulling it straight off of spool.
- Lift the spool out of the spool housing.

REPLACE THE SPOOL

- Replace the spool with a new factory pre-wound spool, Craftsman 71-85967, available from your Sears store or other Craftsman outlet.
- Insert the end of one line through an eyelet in the spool housing. Insert the other line through the other eyelet.
- Insert the spool into housing and press it down gently until you feel it drop into place. Take care to keep the line from becoming trapped under the spool.
- Snap the spool head cover back on and at the same time pull lines and be sure that they are released from spool rail notch.

FILLING SPOOL WITH CUTTING LINE

See Figure 15, page ii.

Replacement packs of 0.065 inch (1.65mm) Craftsman Cutting Line 71-85822 are available from your Sears store.

- Remove the empty spool from the tool as described in "REMOVE THE SPOOL".
- Remove any remaining cutting line from the spool.
- First wind new line onto the uppermost part of the spool. Feed 3/4 inch of cutting line into one of the line spool rail notches. Wind the cutting line onto the spool in the direction of the arrow on the spool. Make sure to wind the line neatly and in layers. Do not crisscross.

FILLING SPOOL WITH CUTTING LINE

See Figure 15, page ii.

- When the wound cutting line reaches the eyelets (recesses), cut the line. Temporarily park the line in the spool rail notch on one side of the spool.
- Repeat the above procedure for the second cutting line on the lower section of the spool.
- Fit the spool onto the tool as described in "REPLACE THE SPOOL".

STORING THE TRIMMER

- Clean all foreign material from the trimmer.
- Store it in a place that is inaccessible to children.
- Keep away from corrosive agents such as garden chemicals and de-icing salts.

⚠ WARNING: Before you begin trimming, only use the appropriate type of cutting line. Ensure that cutting line is present in both sections of the spool.

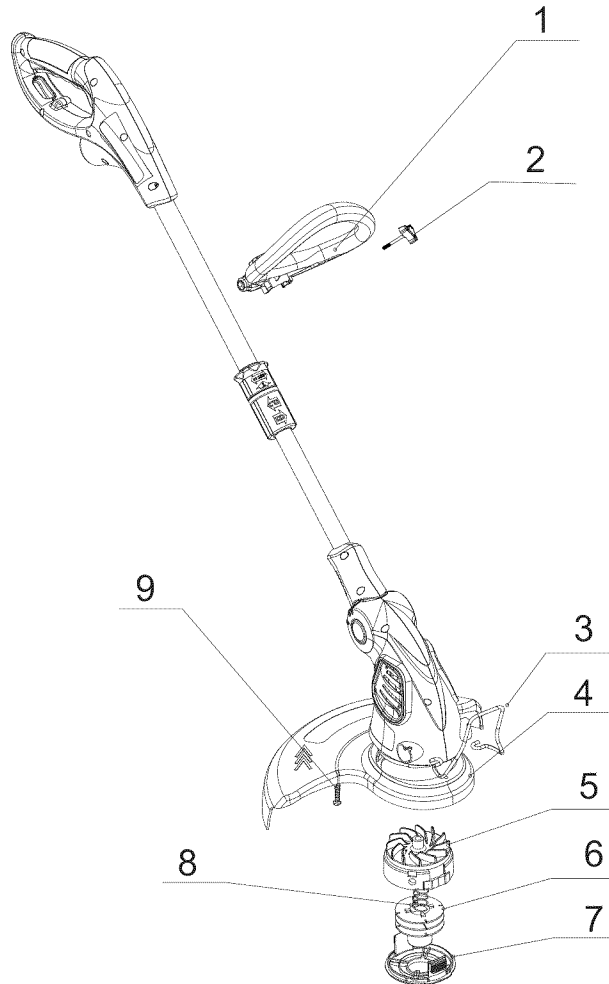
TROUBLESHOOTING

PROBLEM	POSSIBLE CAUSE	SOLUTION
Strings will not feed when bumping during use as per instructions:	1. Strings have become stuck together due to heat or storage time.	1. Unplug trimmer. Open spool cover. Remove spool, unwind line and then rewind onto spool housing.
	2. Not enough string present in spool.	2. Unplug trimmer. Open spool cover. Remove spool and replace with new line or new spool assembly as per instructions in manual.
	3. Strings are tangled on spool	3. Unplug trimmer. Open spool cover. Remove spool unwind and remove tangled line. Rewind line as per instructions in this manual.
Grass wraps around drive shaft housing and string head.	1. Cutting tall grass at groundlevel.	1. Cut tall grass from the top down to prevent wrapping.
Motor fails to start when switch trigger is depressed.	1. Power cord is not plugged in or connection is loose.	1. Plug in the power cord.
	2. Household circuit breaker is tripped.	2. Check circuit breaker.
	3. Extension cord may be faulty.	3. Try another extension cord or connect into another wall receptacle socket on a different circuit.

CRAFTSMAN 12in. 4A STRING TRIMMER – MODEL NUMBER 138.64832

The model number will be found on a label attached to the motor housing. Always mention the model number in all correspondence regarding your **STRING TRIMMER** or when ordering repair parts.

SEE BACK PAGE FOR PARTS ORDERING INSTRUCTIONS



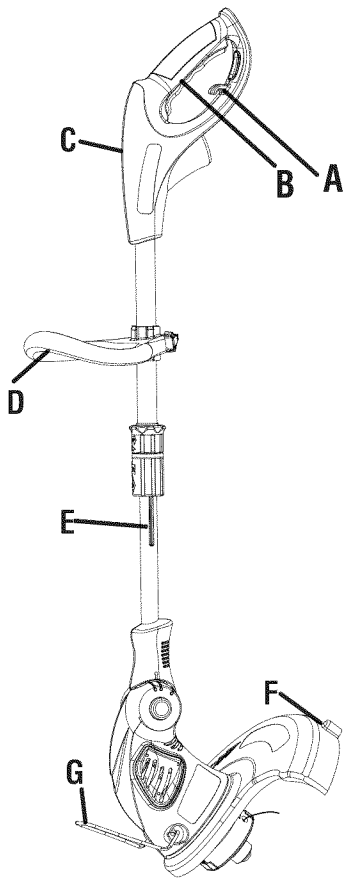
PARTS LIST

Key No.	Part Number	Description	Qty.
1	31101509	Auxiliary handle	1
2	34101185-2	Knob	1
3	33300346	Edging guide	1
4	31102509	12" Trimmer guard	1
5	31101510	Bump & feed housing assembly	1
6	31102510	Dual line bump & feed spool	1
7	34103510	Dual line bump feed spool cover	1
8	33901510	Bump & feed spool spring	1
9	3220811	M4 x16 Guard screw	1

**See this section for all the figures referenced
in the operator's manual.**

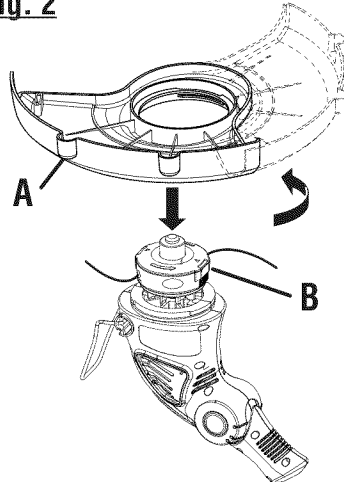
**Vea esta sección de la página para todas
las figuras mencionó en el manual del operador.**

Fig. 1



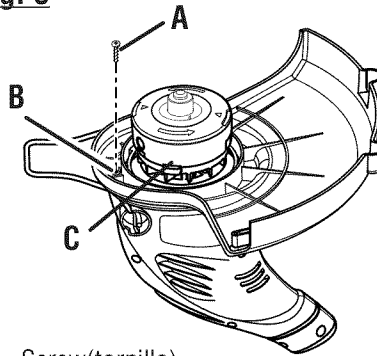
- A - Cord retainer (reten para el cable)
- B - Switch trigger (gatillo del interruptor)
- C - Rotating rear handle (cómo rotar el mango trasero)
- D - Front handle (mango delantero)
- E - Telescoping boom (brazo telescópico)
- F - Grass deflector (deflector de hierba)
- G - Edger guide (guía para el recorte de bordes)

Fig. 2

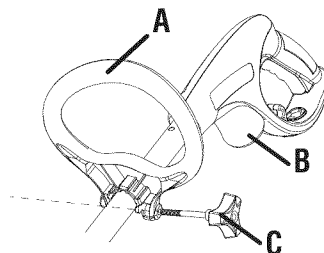


- A - Grass deflector (deflector de hierba)
- B - Slide over head and turn counter clockwise deslizarlo sobre el cabezal y girarlo en sentido antihorario

Fig. 3

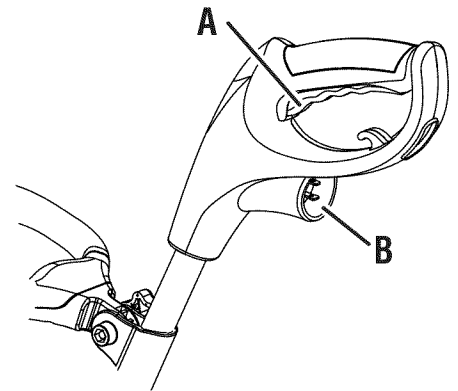


- A - Screw(tornillo)
- B - Screw hole(orificio del tornillo)
- C - Button(botón)



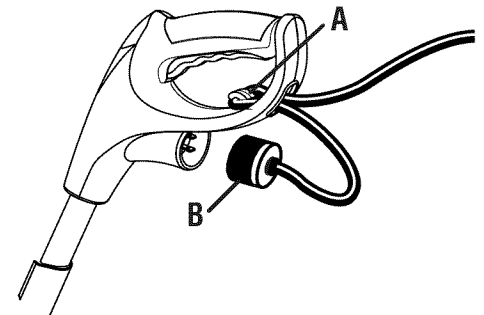
- A - Front handle (poignée avant)
- B - Rear handle shaft (arbre de la poignée arrière)
- C - Knob (mando)

Fig. 4



- A - Switch trigger (gatillo del interruptor)
- B - Attach outlet end of extension cord here (acople aquí el extremo del enchufe del cable de extensión)

Fig. 5

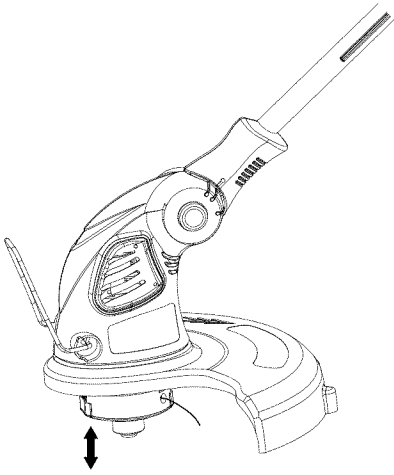


- A - Cord warp(para enrollar el cable)
- B - Outlet end (extremo del enchufe)

Fig. 6

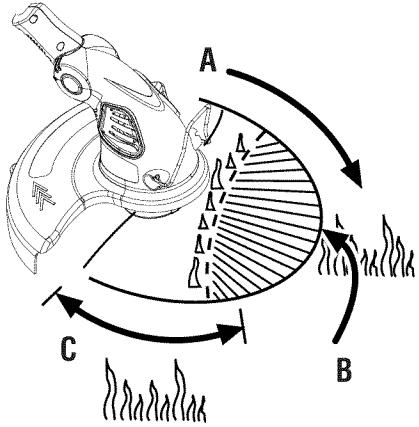


Fig. 7



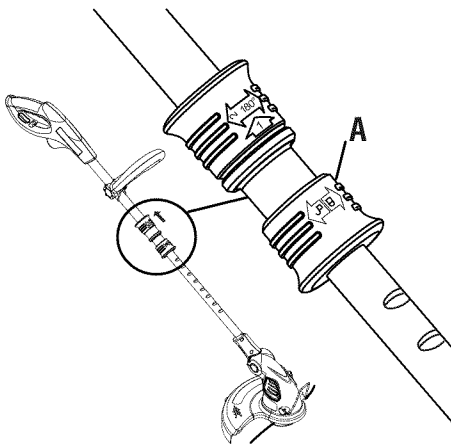
Bump on firm surface
Golpeé en superficie firme

Fig. 8



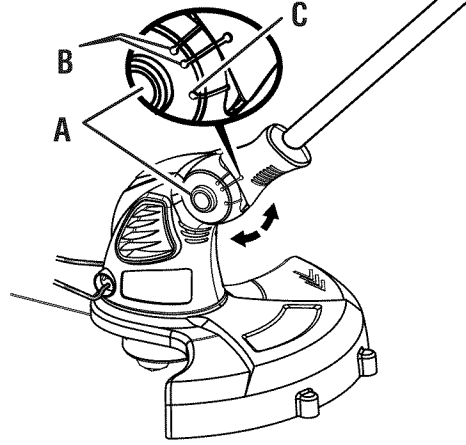
A - Direction of rotation (sentido de la rotación)
B - Best cutting area (área de corte óptima)
C - Dangerous cutting area (área de corte peligrosa)

Fig. 9



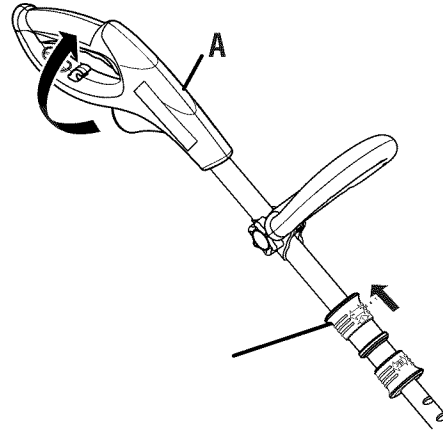
A - Telescoping boom coupler (botón del brazo telescópico)

Fig. 10



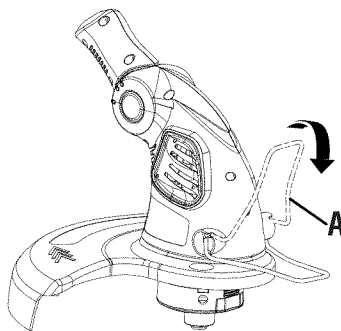
A - Pivot button (botón del pivote)
B - Notches 1 and 2: trimming and edging (muescas 1 y 2: recortar y cortar bordes)
C - Notch 3: storage position only (muesca 3: posición solamente)

Fig. 11



A - Rear handle (mango trasero)
B - Pull up edging coupler to rotate (arránquese el botón del recorte de bordes para rotar)

Fig. 12

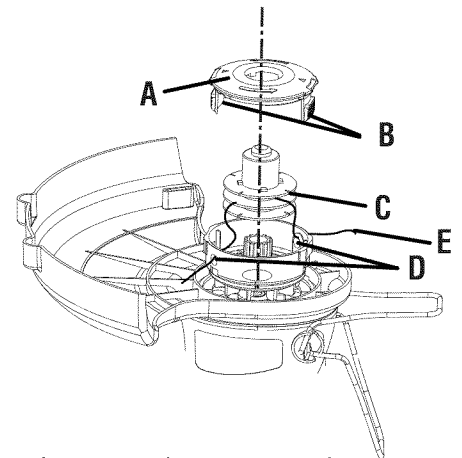


A - Edger guide (guía para el recorte de bordes)

Fig. 13



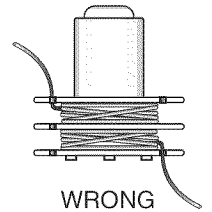
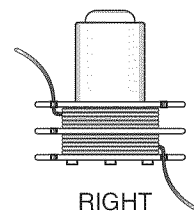
Fig. 14



A - Spool Head Cover (Tapa de Carcasa de Bobina)
B - Tabs (Lenguetas de Suelta)
C - Spool Rail Notch (Muesca de Riel de Bobina)
D - Eyelet (Ojete)
E - Cutting Line (Línea de corte)

Fig. 15

WIND CLOCKWISE
ENROLLE HACIA
LA DERECHA



INSTRUCCIONES DE SEGURIDAD IMPORTANTES

⚠ ¡ADVERTENCIA! Al utilizar herramientas eléctricas para el cuidado del jardín, con el fin de reducir el riesgo de incendio, descargas eléctricas y lesiones corporales, siempre deben seguirse ciertas medidas básicas de precaución.

LEA TODAS LAS INSTRUCCIONES




- Para la operación segura, lea y entienda todas las instrucciones antes de usar este producto. Siga todas las instrucciones de seguridad. La inobservancia de todas las instrucciones de seguridad señaladas abajo puede causar lesiones corporales graves.
- No permita que utilicen esta unidad niños ni personas carentes de la debida instrucción para su manejo.
- Limpie el área de trabajo cada vez antes de usar la unidad. Retire todos los objetos tales como piedras, vidrios rotos, clavos, alambre o cuerdas que pudiesen resultar lanzados o enredados en el hilo de corte o cuchilla, según sea el caso.
- Para utilizar este producto póngase anteojos de seguridad o gafas protectoras marcados con el sello de cumplimiento de la norma ANSI Z87.1.
- Utilice anteojos seguridad – siempre cara de uso o máscara de polvo si la operación está polvorienta.
- Siempre use gafas de seguridad con protección lateral. Los anteojos comunes sólo tienen lentes resistentes a los impactos. NO son anteojos de seguridad. Con el cumplimiento de esta regla se reduce el riesgo de posibles lesiones oculares. Si el proceso es polvoriento, utilice una careta.
- Vista apropiadamente – guantes de goma de Uso y calzado substancial son recomendados al trabajar fuera.
- Póngase pantalones largos de tela gruesa, botas y guantes. No se ponga ropa holgada o pantalones cortos, ni ande descalzo. No se ponga joyas de ninguna clase.
- Recójase el cabello largo arriba del nivel de los hombros para evitar que se enrede en las piezas móviles.
- Mantenga alejados a los niños - Mantenga alejados a todos los circunstantes, niños y animales a una distancia mínima de 15 m (50 pies).
- Permanezca alerta - No use esta unidad cuando se encuentre fatigado, enfermo o bajo los efectos del alcohol, drogas o medicamentos.
- No utilice la unidad en condiciones deficientes de iluminación. Mantenga todas las partes del cuerpo alejadas de toda pieza en movimiento.
- No utilice herramientas motorizadas en atmósferas explosivas, como las existentes alrededor de líquidos, gases y polvos inflamables. Las herramientas eléctricas generan chispas que pueden encender el polvo y los vapores inflamables.
- Para reducir el riesgo de una descarga eléctrica, esta herramienta dispone de una clavija polarizada (una patilla es más ancha que la otra) y requiere un cable de extensión polarizado. Esta clavija encaja de una sola manera en un cable de extensión polarizado. Si la clavija no entra completamente en el enchufe del cable de extensión, invierta la posición de la misma.
- Si aún así no entra la clavija, consiga un cable de extensión polarizado correcto. Un cable de extensión polarizado requerirá una toma de corriente polarizada. Esta clavija encaja de una sola manera en una toma de corriente polarizada. Si la clavija no entra completamente en la toma de corriente, invierta la posición de la clavija. Si aún así no entra la clavija, llame a un electricista calificado para encargarle la instalación de una toma de corriente adecuada. No cambie de ninguna manera la clavija del equipo ni el enchufe o la clavija del cable de extensión.
- Evite el contacto del cuerpo con objetos conectados a tierra, como las tuberías, radiadores, estufas y refrigeradores. Existe un mayor riesgo de descargas eléctricas si el cuerpo está en contacto con tierra.
- Evite los entornos de trabajo peligrosos - No esponga las herramientas eléctricas a la lluvia ni a condiciones de humedad. La introducción de agua en una herramienta eléctrica aumenta el riesgo de descargas eléctricas.
- Use el aparato adecuado El (los) circuito(s) o la(s) toma(s) de corriente donde se conecta el aparato para labores de jardinería deben estar protegidos con un interruptor de circuito accionado por falla de conexión a tierra (GFCI). Hay receptáculos con la protección de un GFCI integrado, y pueden utilizarse para contar con esta característica de seguridad.
- Utilice aparato correcto - no fuerza instrumento. Utilice el instrumento correcto para su aplicación. El instrumento correcto hará el trabajo mejor y más seguro en la tasa para que es diseñado.
- No accione el equipo cuando esté descalzo o al llevar puestas sandalias o calzado liviano similar. Use calzado de seguridad que le proteja sus pies y mejore su postura en superficies resbaladizas.
- No estire el cuerpo para alcanzar mayor distancia. Mantenga los pies bien afirmados y el equilibrio. No trate de alcanzar demasiado lejos.
- Evite los arranques accidentales – Evite un arranque accidental de la unidad. Asegúrese de que el gatillo del interruptor no esté oprimido antes de conectar la herramienta.
- No utilice la herramienta si el interruptor no enciende o no apaga. Una herramienta que no pueda controlarse con el interruptor es peligrosa y debe repararse.
- Desconecte la clavija de la toma de corriente antes de guardar la herramienta. Tales medidas preventivas de seguridad reducen el riesgo de poner en marcha accidentalmente la herramienta.
- Sólo utilice piezas de repuesto idénticas y accesorios del fabricante original. El empleo de piezas diferentes puede causar un peligro o dañar el producto.


INSTRUCCIONES DE SEGURIDAD IMPORTANTES

- Proporcione mantenimiento con cuidado al aparato - Cambie el cabezal del hilo, si está agrietado, desportillado o dañado de cualquier forma. Asegúrese de que el cabezal del hilo, o cuchilla, según sea el caso, esté debidamente instalado y firmemente asegurado. La inobservancia de esta advertencia puede causar lesiones corporales serias.
- Asegúrese de que todas las protecciones, correas, mangos y deflectores estén acoplados debidamente y de manera segura.
- En el cabezal de corte use únicamente hilo de repuesto del fabricante original. No use ningún otro aditamento de corte, por ejemplo, cable metálico, cuerda o producto similar. Instalar cualquier otra marca de hilo de corte en esta recortadora de hilo puede producir lesiones corporales serias.
- Nunca utilice la unidad si el deflector de pasto no está montado en su lugar y en buenas condiciones de funcionamiento.
- Revise para ver si hay piezas dañadas. Antes de seguir utilizando la herramienta, es necesario inspeccionar cuidadosamente toda protección o pieza dañada para determinar si funcionará correctamente y desempeñará la función a la que está destinada. Verifique la alineación de las partes móviles, que no haya atoramiento de partes móviles, que no haya piezas rotas, el montaje de las piezas y cualquier otra condición que pudiera afectar su funcionamiento. Toda protección o pieza que esté dañada debe repararse apropiadamente o reemplazarse en un centro de servicio autorizado para evitar todo riesgo de lesiones.
- Al usar la recortadora, sujétela firmemente por ambos mangos. Mantenga el cabezal del hilo por debajo del nivel de la cintura. Nunca corte con el cabezal del hilo a más de 762 mm (30 pulg.) del suelo.
- Guarde los aparatos que no se están usando - Mientras no se esté utilizando, la sopladora debe almacenarse en el interior, en un sitio seco y bajo llave, lejos del alcance de los niños.
- Asegúrese de que esté en buen estado el cordón de extensión. Al utilizar un cordón de extensión, utilice uno del suficiente calibre para soportar la corriente que consume el producto. Se recomienda que los conductores sean de calibre 16 (A.W.G.) por lo menos para un cordón de extensión de 15 metros (50 pies) de largo o menos. Si tiene dudas, utilice un cordón del calibre más grueso siguiente. Cuanto menor es el número de calibre, mayor es el grueso del cordón. Un cordón de un grueso insuficiente causa una caída en el voltaje de línea, y produce recalentamiento y pérdida de potencia.
- Nunca use hojas ni dispositivos que flameen. Esta unidad se diseñó para usar con recortadora de hilo únicamente. El uso de cualquier otro accesorio o aditamento aumenta el riesgo de lesiones.
- Inspeccione el área por cortar. Retire todos los objetos (piedras, vidrio roto, clavos, alambre, hilo, etc.) que puedan salir disparados o enredarse en el cabezal de corte.
- Mantenga las rejillas de ventilación limpias y sin desechos para evitar que se recaliente el motor. Límpielas cada vez, después de usar la herramienta.
- Apague la unidad y desconecte el suministro de corriente cuando no esté en uso. Traslade la unidad con el motor apagado.
- Guarde la unidad desenchufada y fuera del alcance de los niños.
- No cuelgue la unidad de modo que el gatillo del interruptor quede presionado.
- No use múltiples cordones.
- No maltrate el cordón. Nunca traslade la unidad sujetándola por el cordón de extensión ni tire del cordón de extensión para desconectarla.
- Mantenga el cordón de extensión alejado del operador y de los obstáculos en todo momento. No exponga los cordones al calor, aceite, agua ni bordes afilados.
- Si está dañado el cordón de corriente, debe ser reemplazado únicamente por el fabricante o en un centro de servicio autorizado para evitar riesgos.
- Guarde estas instrucciones. Consúltelas con frecuencia y empléelas para instruir a otras personas que puedan utilizar esta herramienta. Si presta a alguien esta herramienta, facilítele también las instrucciones.

SÍMBOLOS

Las siguientes palabras de señalización y sus significados tienen el objeto de explicar los niveles de riesgo relacionados con este producto.

SÍMBOLO	SEÑAL	SIGNIFICADO
	PELIGRO:	Indica una situación peligrosa inminente, la cual, si no se evita, causará la muerte o lesiones serias.
	ADVERTENCIA:	Indica una situación peligrosa posible, la cual, si no se evita, podría causar la muerte o lesiones serias.
	PRECAUCIÓN:	Indica una situación peligrosa posible, la cual, si no se evita, podría causar lesiones menores o leves.
	PRECAUCIÓN:	(Sin el símbolo de alerta de seguridad) Indica una situación que puede producir daños materiales.

SÍMBOLO	NOMBRE	DESIGNACIÓN/EXPLICACIÓN
V	Volts	Voltaje
A	Amperios	Corriente
Hz	Hertz	Frecuencia (ciclos por segundo)
W	Watt	Potencia
min	Minutos	Tiempo
~	Corriente alterna	Tipo de corriente
≡	Corriente continua	Tipo o característica de corriente
	Fabricación Clase II	Fabricación con doble aislamiento
	Alerta de condiciones húmedas	No exponga la unidad a la lluvia ni la use en lugares húmedos.
	Lea el manual del operador	Para reducir el riesgo de lesiones, el usuario debe leer y comprender el manual del operador antes de usar este producto.
	Alerta de seguridad	Precauciones para su seguridad.
	Mantenga alejadas a las personas presentes	Mantenga a los circunstantes a una distancia mínima de 15 m (50 pies).
	Protección ocular	Al utilizar este producto, póngase siempre gafas de seguridad con protección lateral, y en la medida en que sea necesario, utilice un protector para toda la cara.

CARACTÉRISTIQUES ÉLECTRIQUES

CORDONS PROLONGATEURS

Lors de l'utilisation d'un produit électrique à grande distance d'une prise secteur, veiller à utiliser un cordon prolongateur d'une capacité suffisante pour supporter l'appel de courant de l'produit. Un cordon de capacité insuffisante causerait une baisse de la tension de ligne, entraînant une perte de puissance et une surchauffe. Se reporter au tableau ci-dessous pour déterminer le calibre minimum de fil requis pour un cordon donné. Utiliser exclusivement des cordons à gaine cylindrique homologués par Underwriter's Laboratories (UL).

Pour le travail à l'extérieur, utiliser un cordon prolongateur spécialement conçu à cet effet. Ce type de cordon porte l'inscription « WA » sur sa gaine.

Avant d'utiliser un cordon prolongateur, vérifier que ses fils ne sont ni détachés ni exposés et que son isolation n'est ni coupée, ni usée.

**Intensité nominale (sur la plaquette signalétique de l'produit)

Longueur du cordon	Calibre de fil (A.W.G.)					
25'	16	16	16	16	14	14
50'	16	16	16	14	14	12
100'	16	16	14	12	10	—

AVERTISSEMENT :

Maintenir le cordon prolongateur à l'écart de la zone de travail. Lors du travail avec un cordon électrique, placer le cordon de manière à ce qu'il ne risque pas de se prendre dans les pièces de bois, produits et autres obstacles. Ne pas prendre cette précaution peut entraîner des blessures graves.

AVERTISSEMENT :

Vérifier l'état des cordons prolongateurs avant chaque utilisation. Remplacer immédiatement tout cordon endommagé. Ne jamais utiliser un produit dont le cordon d'alimentation est endommagé, car tout contact avec la partie endommagée pourrait causer un choc électrique et des blessures graves.

**Utilisé sur circuit de calibre 12 – 20 A

NOTE : AWG = American Wire Gauge

CARACTERÍSTICAS

ESPECIFICACIONES

Entrada..... 120V, AC only, 60Hz, 4Amps
Corte De Ruta.....305 MM
Tipo De Alimentación.....1.65 MM golpe de alimentación

Núm. pieza del carrete de repuesto71-85967

Núm. pieza línea de corte de repuesto71-85822

FAMILIARÍCESE CON SU RECORTADORA DE HILO

Veá la figura 1, página i.

El uso seguro que este producto requiere la comprensión de la información impresa en la producto y en el manual del operador así como ciertos conocimientos sobre el proyecto a realizar. Antes de usar este producto, familiarícese con todas las características de funcionamiento y normas de seguridad.

MANGO DELANTERO AJUSTABLE

El conjunto del mango delantero se puede ajustar para facilidad de uso y para ayudar a evitar la pérdida de control.

RUEDA GUÍA PARA RECORTAR BORDES

La guía de la recortadora de bordes lo ayuda cuando utilice la unidad como una recortadora e impide que corte canteros de flores, etc.

DEFLECTOR DE HIERBA

La recortadora incorpora un deflector de hierba que ayuda a proteger al operador de los desechos lanzados por la producto.

BOTÓN DEL SEGURO

El botón del seguro evita los arranques accidentales.

MANGO TRASERO GIRATORIO

El mango trasero puede bloquearse en dos distintas posiciones para facilitar su uso durante el cortar bordes y recortar.

ARMADO

DESEMPAQUETADO

Este producto requiere armarse.

- Extraiga cuidadosamente de la caja la herramienta y los accesorios. Asegúrese de que estén presentes todos los artículos enumerados en la lista de empaquetado.

⚠ ADVERTENCIA: No use este producto si no está totalmente ensamblado o si alguna pieza falta o está dañada. Si utiliza un producto que no se encuentra ensamblado de forma correcta y completa, puede sufrir lesiones graves.

- Inspeccione cuidadosamente la herramienta para asegurarse de que no haya sufrido ninguna rotura o daño durante el transporte.
- No deseche el material de empaquetado hasta que haya inspeccionado cuidadosamente la herramienta y la haya utilizado satisfactoriamente.
- Si hay piezas dañadas o faltantes, le suplicamos llamar al 1-888-266-7096, donde le brindaremos asistencia.

⚠ ADVERTENCIA: Para evitar un arranque accidental que podría causar lesiones corporales serias, siempre desmonte de la herramienta el paquete de baterías al montarle piezas a aquélla.

ACOPLAMIENTO DEL DEFLECTOR DE HIERBA

Vea las figuras 2 y 3, página i.

⚠ ADVERTENCIA: La cuchilla de cortar el hilo del deflector de pasto está afilada. Evite tocar la cuchilla. Si no evita tal contacto puede originarse lesiones corporales serias.

LISTA DE EMPAQUETADO

Conjunto de la recortadora

Conjunto del deflector de hierba con tornillo

Manual del operador

⚠ ADVERTENCIA: Si hay piezas dañadas o faltantes, no utilice esta herramienta sin haber reemplazado las piezas dañadas o faltantes. Usar este producto con partes dañadas o faltantes puede causar lesiones serias al operador.

⚠ ADVERTENCIA: No intente modificar esta herramienta ni hacer accesorios no recomendados para la misma. Cualquier alteración o modificación constituye maltrato el cual puede causar una condición peligrosa, y como consecuencia posibles lesiones corporales serias.

- Quite el tornillo incluido con un destornillador phillips del cabezal de la recortadora.

- Ajuste el deflector de césped en los postes elevados del cabezal de la recortadora.

NOTA: El deflector debe estar nivelado con el cabezal de la recortadora.

- Instale el tornillo incluido y apriételo girándolo en sentido horario con un destornillador phillips.

MONTAJE DEL MANGO DELANTERO

See Figure 3, page i

- Afloje y retire la tuerca de mariposa, la arandela y el mando.
- Instale el mango en el alojamiento del eje de impulsión, en el lugar que indica la etiqueta en el eje.
- Si es necesario, suba o baje el mango para ajustarlo a la posición de manejo deseada.
- Reinstale el mando y la tuerca de mariposa. Ajuste la mando por seguridad.

FUNCIONAMIENTO

⚠ ADVERTENCIA: No permita que su familiarización con los productos le haga perder la atención. Tenga presente que un descuido de un instante es suficiente para causar una lesión seria.

⚠ ADVERTENCIA: Cuando utilice productos, póngase siempre gafas de seguridad o anteojos protectores con protección lateral. La inobservancia de esta advertencia puede causar el lanzamiento de objetos a los ojos y, consecuentemente, posibles lesiones serias.

FUNCIONAMIENTO

⚠ ADVERTENCIA: No utilice ningún aditamento o accesorio no recomendado por el fabricante de este producto. El empleo de aditamentos o accesorios no recomendados puede causar lesiones graves.

ENCENDIDO Y APAGADO DE LA RECORTADORA *See Figure 4 - 5, page i.*

NOTA: Use solamente cables de extensión aprobados para exteriores.

- Pase el cable de extensión a través del ranura del asa situada en la parte trasera del alojamiento de la recortadora y póngalo debajo del retén del cable.
- Para encender la recortadora de hilo, presione el gatillo del interruptor de encendido.
- Para detener la recortadora de hilo, suelte el gatillo del interruptor.
- Si alguna pieza falta o está dañado, por favor llame al 1-888-266-7096 para obtener ayuda

MANEJO DE LA RECORTADORA

See Figure 6, page i.

Siga las siguientes recomendaciones a manejar la recortadora de hilo:

- Sujete la recortadora con la mano derecha en el mango trasero y la izquierda en el delantero.
- Sujete firmemente la unidad con ambas manos durante la operación.
- Se recomienda sujetar la recortadora en una posición cómoda, con el mango trasero a la altura de la cadera aproximadamente.
- Corte la hierba alta desde arriba hacia abajo. Esto evitará que la hierba se enrolle alrededor del alojamiento del eje y del cabezal del hilo, lo que puede causar daños por calentamiento excesivo.

Si la hierba se enrolla en el cabezal del hilo:

- Apague la recortadora.
- Desenchufe la recortadora de hilo.
- Quite la hierba.

LA LÍNEA DE CORTE

⚠ ADVERTENCIA: NO haga contacto con la línea de corte expuesta cuando levanta o sostiene la recortadora.

Una línea redondo individual de 0.065 pulgadas se preinstala en la recortadora. Cuando la línea de corte necesita reemplace, instale nueva bobina devanada, Craftsman 71-85967.

EXTENSIÓN DE LA LÍNEA DE CORTE

See Figure 7, page ii.

Durante el funcionamiento, las líneas de corte se acortan por el uso normal. Para una mayor conveniencia y eficiencia, su recortadora ha sido equipada con un cabezal de alimentación por golpes que le permite simplemente golpear el cabezal de la recortadora para extender las líneas de corte mientras usa la recortadora. La línea de corte gastará más rápido y necesitará más alimentación si la recortando o bordeando está hecho contra pavimento u otros superficies abrasivos, o si cortas hierbajos más pesados.

- Mientras la recortadora está funcionamiento y girando, golpee suavemente la carcasa de bobina contra una superficie firme (piso o pavimento). Esto debería soltar línea de corte adicional de la bobina.
- Si no se suelta ninguna línea, golpee el cabezal de la recortadora con más fuerza o trate de golpearlo contra una superficie aún más dura.
- Si no hay ningún cambio en la longitud de la línea de corte, desenchufe el cordón eléctrico en espiral del cordón de extensión. Cuando el cabezal de la recortadora haya dejado de girar, tire con suavidad de las líneas de corte manualmente. Una vez que las líneas estén afuera (extendidas), enchufe el cordón eléctrico en espiral en el cordón de extensión y reanude el corte.
- Si la línea de corte sigue sin alimentar la bobina, la bobina podría estar vacía o la línea de corte podría estar enredada o atascada en la bobina. Desenchufe el cordón eléctrico en espiral de la recortadora del cordón de extensión. Cuando el cabezal de la recortadora haya dejado de girar, retire la bobina (ver Pasos 1 a 3 en "SACAR LA BOBINA" en página 9). Si la línea está enredado o atascada, desenrede y reemplace la línea. Si la bobina está vacía, reemplace la bobina.

RECOMENDACIONES DE CORTE

See Figure 8, page ii.

- Mantenga la recortadora inclinada hacia el área de corte; ésa es el área óptima.
- La recortadora de hilo efectúa el corte al pasar la unidad de izquierda a derecha. De esta manera se evita el lanzamiento de desechos hacia el operador. Evite recortar en el área peligrosa mostrada en la figura 8.
- Haga que el recorte sea efectuado por la punta del hilo; no fuerce el cabezal del hilo en la hierba sin cortar.
- Las cercas de alambre y de estacas causan desgaste adicional del hilo, incluso su ruptura. Los muros de piedra y de ladrillo, así como las banquetas (aceras) y la madera pueden desgastar rápidamente los hilos.
- Evite el contacto con árboles y arbustos. La corteza de los árboles, las molduras de madera, los revestimientos de las paredes y los postes de las cercas pueden resultar dañados fácilmente por los hilos.

FUNCIONAMIENTO

BRAZO TELESCÓPICO *See Figure 9, page ii.*

El brazo puede extenderse o acortarse para facilitar su manejo.

- Desenchufe la recortadora de hilo.
- Destornille el botón del brazo telescópico y extiéndalo o retráigalo hasta la posición deseada.
- Apriételo el botón del brazo telescópico.

BRAZO TELESCÓPICO *See Figure 10, page ii.*

El brazo puede extenderse o acortarse para facilitar su manejo.

- Desenchufe la recortadora de hilo.
- Destornille el botón del brazo telescópico y extiéndalo o retráigalo hasta la posición deseada.
- Apriételo el botón del brazo telescópico.

CÓMO ROTAR EL MANGO TRASERO

- Desenchufe la recortadora de hilo.
- Arránquese el botón del recorte de bordes y gire el mango a la izquierda.
- Liberación el botón del recorte de bordes cuando mango ha sido girado 180°.

RECORTEECORTE DE BORDES

See Figure 11 -13, page ii.

El mango giratorio puede usarse en combinación con la guía para el recorte de bordes en banquetas (aceras) y veredas de entrada. Para utilizar la guía para el recorte de bordes, el golpe hacia abajo de lo ha almacenado la posición.

MANTENIMIENTO

⚠ ADVERTENCIA: Al dar servicio a la unidad, sólo utilice piezas de repuesto idénticas. El empleo de piezas diferentes puede causar un peligro o dañar el producto.

⚠ ADVERTENCIA: Siempre póngase protección ocular con protección lateral con la marca de cumplimiento de la norma ANSI Z87.1. La inobservancia de esta advertencia puede permitir que los objetos lanzados hacia los ojos puedan provocar lesiones graves.

⚠ ADVERTENCIA: Para evitar lesiones corporales serias, siempre retire el paquete de baterías de la herramienta al limpiarla o darle mantenimiento.

MANTENIMIENTO GENERAL

Antes de cada uso, inspeccione todo el producto para detectar algún daño, partes faltantes o sueltas, como tornillos, tuercas, pernos, tapas, etc. Ajuste firmemente todos los sujetadores y las tapas y no active este producto hasta que todas las partes faltantes o dañadas sean reemplazadas. Llame al 1-888-266-7096 o comuníquese con un centro de servicio autorizado para recibir asistencia.

Evite el empleo de solventes al limpiar piezas de plástico. La mayoría de los plásticos son susceptibles a diferentes tipos de solventes comerciales y pueden resultar dañados. Utilice paños limpios para eliminar la suciedad, el polvo, el aceite, la grasa, etc.

⚠ ADVERTENCIA: No permita en ningún momento que fluidos para frenos, gasolina, productos a base de petróleo, aceites penetrantes, etc., lleguen a tocar las piezas de plástico. Las sustancias químicas pueden dañar, debilitar o destruir el plástico, lo cual a su vez puede producir lesiones corporales serias.

Solamente las piezas mostradas en la lista de piezas pueden ser reparadas o cambiadas por el consumidor. Todas las

REEMPLAZAR DE LA LÍNEA DE CORTE

SACAR LA BOBINA *See Figure 14, page ii.*

Para reemplazo fácil de la bobina, recomendamos usando Craftsman 71-85967, bobina reemplaza de alimentación por golpes con 0.065 línea de corte. Está devanada por fábrica por confiabilidad máxima.

- Desenchufe el cordón eléctrico. Volteé la recortadora para acceder la tapa de carcasa de bobina.

⚠ ADVERTENCIA: Para evitar cualquier lesión, SIEMPRE apague y desconecte la recortadora del tomacorriente ANTES de instalar partes, limpiar la recortadora o de realizar ajustes.

- Presione las lenguetas de suelta en la tapa de carcasa de bobina y sacque la tapa, tirandola ponte derecho de la bobina.
- Quite la bobina de la carcasa de bobina.

REEMPLAZAR LA BOBINA

- Reemplaza la bobina con una bobina nueva devanada por fábrica, Craftsman 71-85967, disponible a su tienda Sears u otro punto de venta Craftsman.
- Inserte el extremo de una línea de corte por uno de los ojete en la carcasa de bobina. Inserte la otra línea por otro ojete.

MANTENIMIENTO

REEMPLAZAR LA BOBINA

- Inserte la bobina en la carcasa y aprieta suavemente hasta que la sientas bajar al lugar. Ten cuidado que la línea no queda atrapada bajo la bobina.
- Se cierra con un clic la tapa de carcasa y al mismo tiempo, tire las líneas y asegure que son sueltos de las muescas de los rieles de bobina.

LLENAR LA BOBINA CON LÍNEA DE CORTE

Puedes devanar la línea nueva en una bobina vacía. Paquetes de reemplazo de 0.065 pulgada (1.65mm) Línea de Corte Craftsman 71-85822 son disponibles de la tienda Sears.

- Saque la bobina vacía de la recortadora, como descrito en "SACAR LA BOBINA" arriba.
- Saque cualquier línea quedando en la bobina.
- Primero, devana la línea nueva en el parte de la bobina más alto. Introduzca 3/4 pulgada de la línea de corte en unas de las muescas de la riel de bobina. Devana la línea de corte en la bobina en la dirección de la flecha en la bobina. Enseguras que devana la línea uniformemente y en estratos.

CORRECCIÓN DE PROBLEMAS

PROBLÈME

POSIBLE CAUSA

SOLUCIÓN

Las cadenas no se utilizarán cuando golpes durante el uso como según las instrucciones:

1. Las cadenas se han convertido en pegados debido al calor o tiempo de almacenamiento.
2. No hay suficiente cuerda presentes en el carrete.
3. Las cadenas se enredan en el carrete

1. Desenchufe la máquina. Abrir el carrete cubierta. Retire la corredera, relajarse línea y luego retroceder en la cubierta del carrete.
2. Desenchufe la máquina. Abrir el carrete cubierta. Retire el carrete y reemplace con línea nueva o nuevo carrete montaje según las instrucciones en manual.
3. Desenchufe la máquina. Abrir el carrete cubierta. Retire la corredera relajarse y eliminar la línea enredada. Rebobinar línea según las instrucciones en este manual.

La hierba se envuelve alrededor de la unidad eje de la vivienda y la cadena de la cabeza.

1. Corte de césped de alto en la nivel del suelo.

1. Cut tall grass from the top down to prevent wrapping.

El motor no arranca cuando interruptor disparador se presiona.

1. El cable de alimentación no está enchufado o en conexión está suelta.
2. Hogares disyuntor se ha disparado.
3. El cable de extensión puede ser defectuoso.

1. Plug in the power cord.
2. Check circuit breaker.
3. Try another extension cord or connect into another wall receptacle socket on a different circuit.

Get it fixed, at your home or ours!

Your Home

For expert troubleshooting and home solutions advice:

manage my home

www.managemyhome.com

For repair – **in your home** – of **all** major brand appliances, lawn and garden equipment, or heating and cooling systems, **no matter who made it, no matter who sold it!**

For the replacement parts, accessories and owner's manuals that you need to do-it-yourself.

For Sears professional installation of home appliances and items like garage door openers and water heaters.

1-800-4-MY-HOME[®] (1-800-469-4663)

Call anytime, day or night (U.S.A. and Canada)

www.sears.com www.sears.ca

Our Home

For repair of carry-in items like vacuums, lawn equipment, and electronics, call anytime for the location of your nearest

Sears Parts & Repair Service Center

1-800-488-1222 (U.S.A.)

www.sears.com

1-800-469-4663 (Canada)

www.sears.ca

To purchase a protection agreement on a product serviced by Sears:

1-800-827-6655 (U.S.A.)

1-800-361-6665 (Canada)

Para pedir servicio de reparación a domicilio, y para ordenar piezas:

1-888-SU-HOGAR[®]

(1-888-784-6427)

Au Canada pour service en français:

1-800-LE-FOYER^{MC}

(1-800-533-6937)

www.sears.ca

Sears

® Registered Trademark / TM Trademark / SM Service Mark of Sears Brands, LLC

® Marca Registrada / TM Marca de Fábrica / SM Marca de Servicio de Sears Brands, LLC

^{MC} Marque de commerce / ^{MD} Marque déposée de Sears Brands, LLC

© Sears Brands, LLC