



Room Air Conditioners

Safety Instructions..... 2, 3

Operating Instructions
Controls 4-6

Care and Cleaning
Air Filter6
Outdoor Coils6

Installation Instructions..... 7-12

Troubleshooting Tips13
Normal Operating Sounds13

Consumer Support
Consumer Support Back Cover
Warranty for Customers
in the U.S.A.15

**Owner's Manual and
Installation Instructions**

AHM18*

**ENERGY STAR® labeled product*



As an ENERGY STAR® partner, GE has determined that this product meets the ENERGY STAR® guidelines for energy efficiency.

Write the model and serial numbers here:

Model # _____

Serial # _____

Find these numbers on a label on the side of the air conditioner.

IMPORTANT SAFETY INFORMATION.

READ ALL INSTRUCTIONS BEFORE USING.

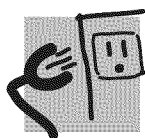
WARNING!

For your safety, the information in this manual must be followed to minimize the risk of fire, electric shock or personal injury.



SAFETY PRECAUTIONS

- Use this appliance only for its intended purpose as described in this Owner's Manual.
- This air conditioner must be properly installed in accordance with the Installation Instructions before it is used.
- Never unplug your air conditioner by pulling on the power cord. Always grip plug firmly and pull straight out from the receptacle.
- Replace immediately all electric service cords that have become frayed or otherwise damaged. A damaged power supply cord must be replaced with a new power supply cord obtained from the manufacturer and not repaired. Do not use a cord that shows cracks or abrasion damage along its length or at either the plug or connector end.
- Turn the unit **OFF** and unplug your air conditioner before cleaning.
- GE does not support any servicing of the air conditioner. We strongly recommend that you do not attempt to service the air conditioner yourself.
- For your safety...do not store or use combustible materials, gasoline or other flammable vapors or liquids in the vicinity of this or any other appliance.
- All air conditioners contain refrigerants, which under federal law must be removed prior to product disposal. If you are getting rid of an old product with refrigerants, check with the company handling disposal about what to do.
- If the receptacle does not match the plug, the receptacle must be changed out by a qualified electrician.
- These R410A air conditioning systems require contractors and technicians to use tools, equipment and safety standards approved for use with this refrigerant. DO NOT use equipment certified for R22 refrigerant only.



HOW TO CONNECT ELECTRICITY

Do not, under any circumstances, cut or remove the third (ground) prong from the power cord. For personal safety, this appliance must be properly grounded.

DO NOT use an adapter plug with this appliance.

The power cord of this appliance is equipped with a 3-prong (grounding) plug which mates with a standard 3-prong (grounding) wall outlet to minimize the possibility of electric shock hazard from this appliance.

Power cord includes a current interrupter device. A test and reset button is provided on the plug case. The device should be tested on a periodic basis by first pressing the **TEST** button and then the **RESET** button while plugged into the outlet. If the **TEST** button does not trip or if the **RESET** button will not stay engaged, discontinue use of the air conditioner and contact a qualified service technician.

Have the wall outlet and circuit checked by a qualified electrician to make sure the outlet is properly grounded.

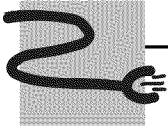
Where a 2-prong wall outlet is encountered, it is your personal responsibility and obligation to have it replaced with a properly grounded 3-prong wall outlet.

The air conditioner should always be plugged into its own individual electrical outlet which has a voltage rating that matches the rating plate.

This provides the best performance and also prevents overloading house wiring circuits which could cause a fire hazard from overheated wires.

See the Installation Instructions, *Electrical Requirements* section for specific electrical connection requirements.

⚠ WARNING!



USE OF EXTENSION CORDS

RISK OF FIRE. *Could cause serious injury or death.*

- *DO NOT* use an extension cord with this Window Air Conditioner.
- *DO NOT* use surge protectors or multi-outlet adaptors with this Window Air Conditioner.



READ AND FOLLOW THIS SAFETY INFORMATION CAREFULLY.

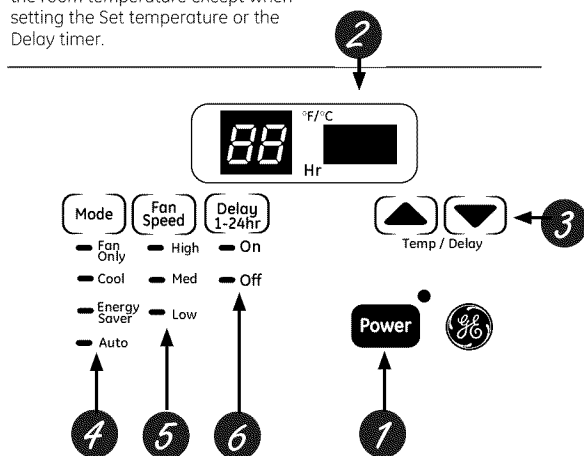
SAVE THESE INSTRUCTIONS

About the controls on the air conditioner

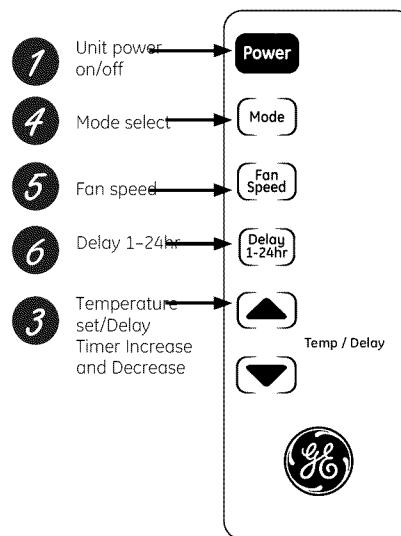
Features and appearance will vary.

Lights next to the touch pads on the air conditioner control panel indicate the selected settings.

NOTE: The display always shows the room temperature except when setting the Set temperature or the Delay timer.



Air Conditioner Controls



Remote Control



Controls

- 1 Power Pad**
Turns air conditioner on and off. When turned on, the display will show the room temperature.
- 2 Display**
Shows the room temperature or time remaining on the Delay timer. Shows the **Set** temperature while setting the temperature in **Cool** or **Energy Saver** modes. The **Set** light will turn on while setting.
- 3 Temp and Delay Increase ▲ / Decrease ▼ Pads**
Use to set temperature or delay time. Temperature can be set in **Cool**, **Energy Saving** and **Auto** mode.
- 4 Mode Pad**
Use to set the air conditioner to **Fan Only**, **Cool**, **Energy Saver** or **Auto** mode.
- 5 Fan Speed Pads**
Use to set the fan speed to **Low**, **Med**, or **High** on the unit.

- 6 Delay Pad**
Delay ON—When the air conditioner is off, it can be set to automatically come on in 1 to 24 hours at its previous mode and fan settings.
Delay OFF—When the air conditioner is on, it can be set to automatically turn off in 1 to 24 hours.

How to set:

Press the **Delay 1-24hr** pad on the unit or the remote control. Each touch of the **Increase ▲ / Decrease ▼** pads on the unit or the **Increase + / Decrease -** pads on the remote control will set the timer in 1-hour intervals.

To review the remaining time on the **Delay 1-24hr** timer, press the **Delay 1-24hr** pad on the unit or the remote control. Use the **Increase ▲ / Decrease ▼** pads on the unit or the **Increase + / Decrease -** pads on the remote control to set a new time if desired.

To cancel the timer, press the **Delay 1-24hr** pad until the light on the **Delay 1-24hr** pad goes off.

Do Not Operate in Freezing Outdoor Conditions

This cool-only air conditioner was not designed for freezing outdoor conditions. It must not be used in freezing outdoor conditions.

Remote Control

- To ensure proper operation, aim the remote control at the signal receiver on the air conditioner.
 - The remote control signal has a range of up to 20 feet.
 - Make sure nothing is between the air conditioner and the remote control that could block the signal.
 - Make sure battery is fresh and installed correctly as indicated on the remote control.
-

Cool Mode

Use the **Cool** mode at **Low, Med, High** or **Auto Speed** for cooling. Use the **Temperature Increase ▲ / Decrease ▼** pads to set the desired temperature between 61°F and 86°F in 1°F increments.

An electronic thermostat is used to maintain the room temperature. The compressor will cycle on and off to keep the room at the set level of comfort. Set the thermostat at a lower number and the indoor air will become cooler. Set the thermostat at a higher number and the indoor air will become warmer.

NOTE: If the air conditioner is off and is then turned on while set to a **Cool** setting or if turned from a fan setting to a **Cool** setting, it may take approximately 3 minutes for the compressor to start and cooling to begin.

Cooling Descriptions

For Normal Cooling—Select the **Cool** mode and **High** or **Med** fan with a middle set temperature.

For Maximum Cooling—Select the **Cool** mode and **High** fan with a lower set temperature.

For Quieter and Nighttime Cooling—Select the **Cool** mode and **Low** fan with a middle set temperature.

Energy Saver Mode

Controls the fan.

ON—The fan will cycle on and off with the compressor. This results in wider variations of room temperature and humidity. Normally used when the room is unoccupied. **NOTE:** The fan may continue to run for a short time after the compressor cycles off.

OFF—The fan runs all the time, while the compressor cycles on and off.

Fan Only Mode

Use the Fan Only Mode at Low, Med or High fan speed to provide air circulation and filtering without cooling. Since fan-only settings do not provide cooling, a Set temperature cannot be entered. The room temperature will appear in the display.

Auto Mode

Set to **Auto** for the fan speed to automatically set to the speed needed to provide optimum comfort settings with the set temperature.

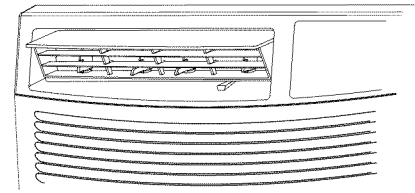
If the room needs more cooling, the fan speed will automatically increase. If the room needs less cooling, the fan speed will automatically decrease.

About the controls on the air conditioner

Additional important information.

Air Direction

Use the lever to adjust the air direction left, right, up and down.



Care and cleaning of the air conditioner.

Grille and Case

Turn the air conditioner off and remove the plug from the wall outlet before cleaning.

To clean, use water and a mild detergent. Do not use bleach or abrasives.

Air Filter

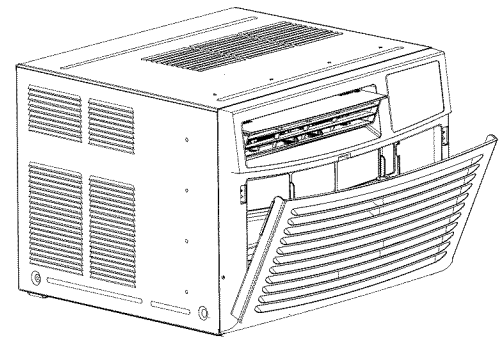
The air filter behind the front grille should be checked and cleaned at least every 30 days or more often if necessary.

To remove:

Open the inlet grille by pulling downward on the tabs at the top upper corners of the inlet grille until the grille is in a 45° position. Remove the filter.

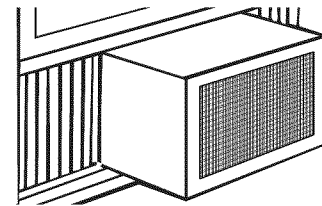
Clean the filter with warm, soapy water. Rinse and let the filter dry before replacing it. Do not clean the filter in a dishwasher.

⚠ CAUTION: DO NOT operate the air conditioner without a filter because dirt and lint will clog it and reduce performance.



Outdoor Coils

The coils on the outdoor side of the air conditioner should be checked regularly. If they are clogged with dirt or soot, they may be professionally cleaned.



How to Insert the Battery in the Remote Control

- 1 Remove the battery cover by twisting it according to the arrow direction. A coin can be used to twist the cover.
- 2 Insert new battery, making sure that the (+) and (-) of battery are installed correctly.
- 3 Reattach the cover by twisting it back into position.

NOTES:

- Use one CR 2025 (3V) Lithium battery.
- Remove the battery from the remote control if the system is not going to be used for a long time.

Installation Instructions

Air Conditioner


? Questions? Call 800.GE.CARES (800.432.2737) or Visit our Website at: GEAppliances.com

BEFORE YOU BEGIN


Read these instructions completely and carefully.


- **IMPORTANT** — Save these instructions for local inspector's use.
- **IMPORTANT** — Observe all governing codes and ordinances.
- **Note to Installer** – Be sure to leave these instructions with the Consumer.
- **Note to Consumer** – Keep these instructions for future reference.
- **Skill level** – Installation of this appliance requires basic mechanical skills.
- **Completion time** – Approximately 1 hour
- We recommend that two people install this product.
- Proper installation is the responsibility of the installer.
- Product failure due to improper installation is not covered under the Warranty.
- You **MUST** use all supplied parts and use proper installation procedures as described in these instructions when installing this air conditioner.

ELECTRICAL REQUIREMENTS

 Some models require a 115/120-volt AC, 60-Hz grounded outlet protected with a 15-amp time-delay fuse or circuit breaker.

The 3-prong grounding plug minimizes the possibility of electric shock hazard. If the wall outlet you plan to use is only a 2-prong outlet, it is your responsibility to have it replaced with a properly grounded 3-prong wall outlet.

 Some models require 230/208-volt AC, protected with a time-delay fuse or circuit breaker. These models should be installed on their own single branch circuit for best performance and to prevent overloading house or apartment wiring circuits, which could cause a possible fire hazard from overheating wires.



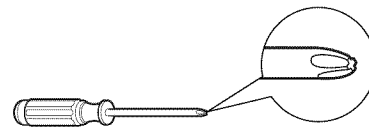
CAUTION:

Do not, under any circumstances, cut or remove the third (ground) prong from the power cord.

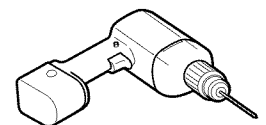
Do not change the plug on the power cord of this air conditioner.

Aluminum house wiring may present special problems—consult a qualified electrician.

TOOLS YOU WILL NEED



Phillips head screwdriver



Drill with 1/8" bit



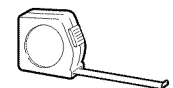
Flat-blade screwdriver



Adjustable Wrench



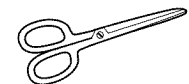
Pencil



Ruler or tape measure



Level

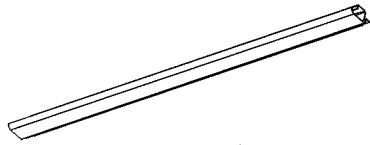


Scissors or knife

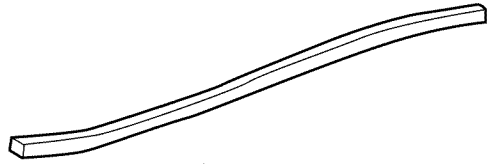
Power cord includes a current interrupter device. A test and reset button is provided on the plug case. The device should be tested on a periodic basis by first pressing the **TEST** button and then the **RESET** button while plugged into the outlet. If the **TEST** button does not trip or if the **RESET** button will not stay engaged, discontinue use of the air conditioner and contact a qualified service technician.

Installation Instructions

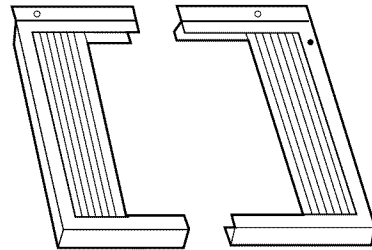
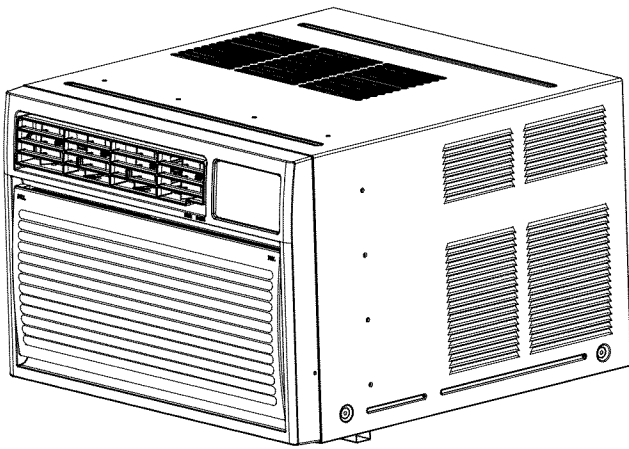
PARTS INCLUDED (Appearance may vary)



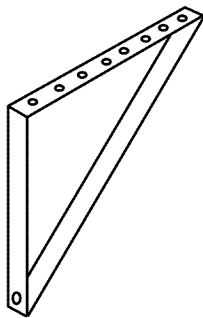
Top Mounting Rail



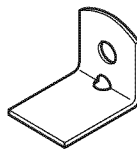
Foam Seal



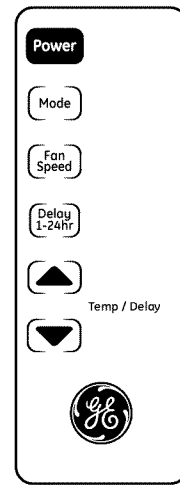
Left and Right Side Curtains



Installation Bracket (2)



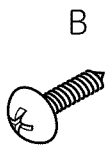
Window Lock Bracket



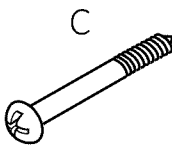
Remote Control



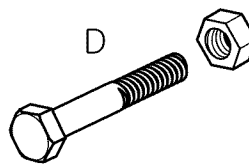
A
13/32"
Screws (12)



B
13/32"
Screws (6)



C
31/32"
Screws (8)



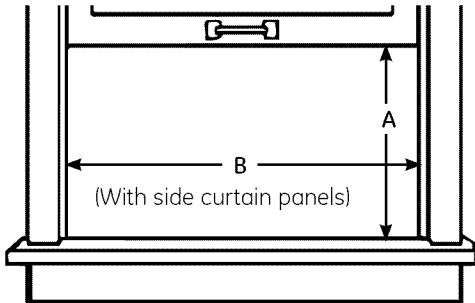
D
2-1/2" Flat Head Bolt
and Lock Nut (2)

Installation Instructions

1 WINDOW REQUIREMENTS

- These instructions are for a standard double-hung window. You will need to modify them for other types of windows.
- The air conditioner can be installed without the side curtain panels if needed to fit in a narrow window. See the window opening dimensions.
- All supporting parts must be secured to firm wood, masonry or metal.
- The electrical outlet must be within reach of the power cord.
- Follow the dimensions in the table and illustration for your model.

Models	A	B
AHM18DP	17 13/8" min.	28 3/8" - 38"



2 STORM WINDOW REQUIREMENTS

A storm window frame will not allow the air conditioner to tilt toward the outside, and will keep it from draining properly.

To adjust for this, attach a piece of wood to the sill.

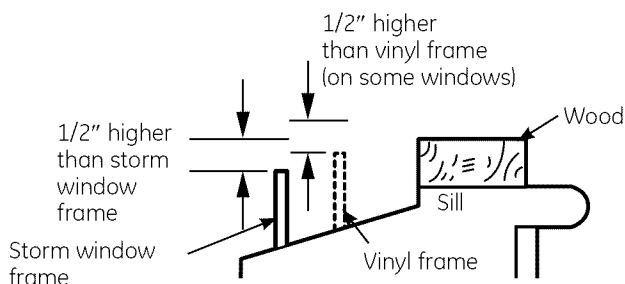
WOOD PIECES

WIDTH: 2"

LENGTH: Long enough to fit inside the window frame.

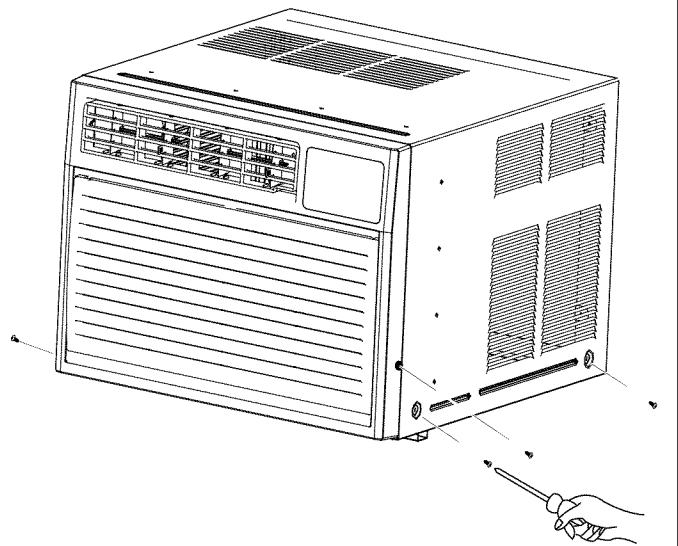
THICKNESS: To determine the thickness, place a piece of wood on the sill to make it 1/2" higher than the top of the storm window frame or the vinyl frame.

Attach securely with nails or screws provided by the installer.



3 PREPARE THE AIR CONDITIONER

- Remove three screws on each side of the case. Save the screws for use later.
- Insert a flat head screw driver between the front grille and the metal case along the sides. Gently pry the grille from the case. NOTE: Cover the flat head screw driver with tape to prevent scratching the case.
- Using the handle on the bottom front of the air conditioner, pull the air conditioner out of the case. The air conditioner is very heavy so make sure that it will be resting on a sturdy surface.

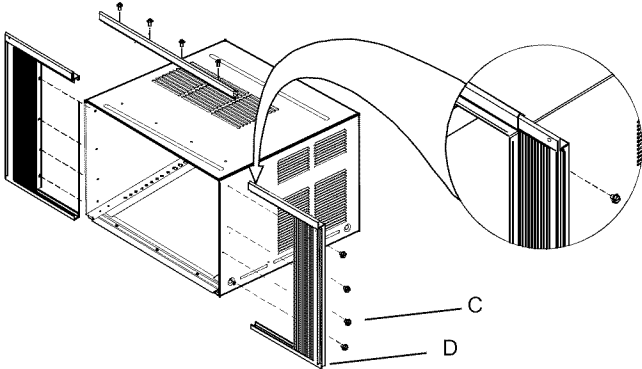


Installation Instructions

4 PREPARE THE CASE

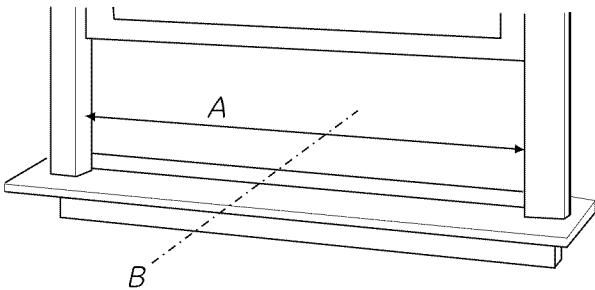
NOTE: Attach curtains to the air conditioner before placing the air conditioner in the window.

- A Install top mounting rail with four type A screws.
- B Slide left-hand curtain assembly into left end of top and bottom mounting rail. Repeat for right hand curtain assembly.
- C Fasten curtain retainer strips to the sides of the outer case with four type A screws on each side.



5 PREPARE WINDOW FOR INSTALLATION

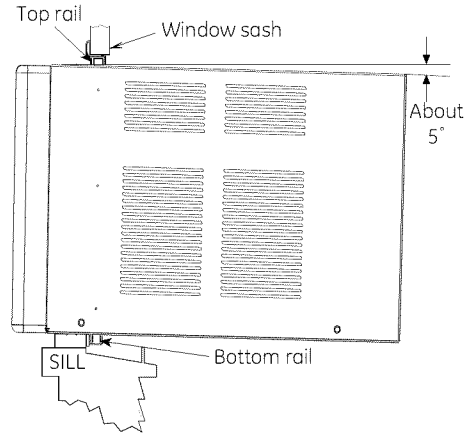
- A Measure the width of the window opening.
- B Mark the center line on the inside windowsill.



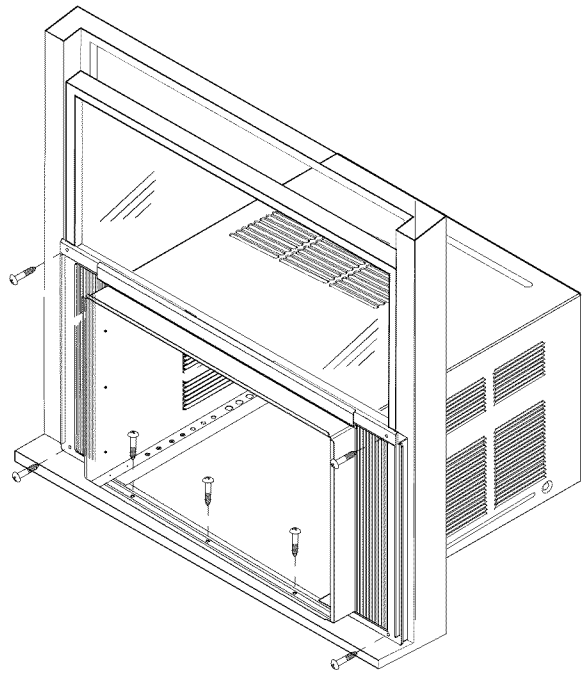
A. Width of window opening
B. Center line

5 INSTALL OUTER CASE IN WINDOW

- A Place outer case in window. Lower sash until it rests behind front flange of top mounting rail. Bottom mounting rail must rest behind window sill.



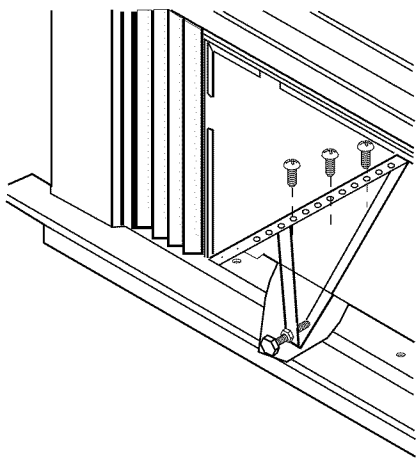
- B Expand the curtain panels to fill the window. Secure with type C wood screw in top and bottom corners. If needed, use drill and 1/8" bit to drill pilot holes for the screws.
- C Use three type C screws to secure the case to the window sill. Drill pilot holes if necessary.



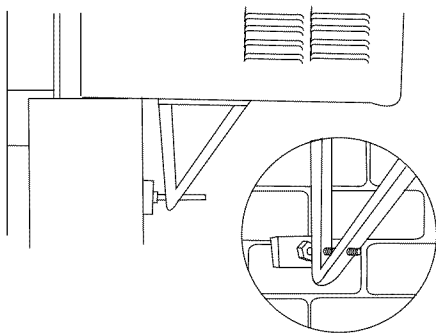
Installation Instructions

5 INSTALL OUTER CASE IN WINDOW

- D** Thread nut onto bolt, then thread the bolt into the triangle bracket as shown in the figure below.



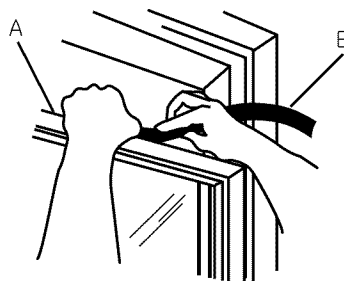
- E** Attach triangle bracket onto bottom of case using three type B screws for each bracket. Make sure that the bracket is close enough to the outside wall that the bolt can touch. Adjust bolt so that it is snug against the outside wall.



NOTE: A block of wood can be placed between the bolt and the outside wall if the bolt rests between studs.

6 COMPLETE INSTALLATION

- A** Insert the foam seal behind the top of the lower window sash and against the glass of the upper window.



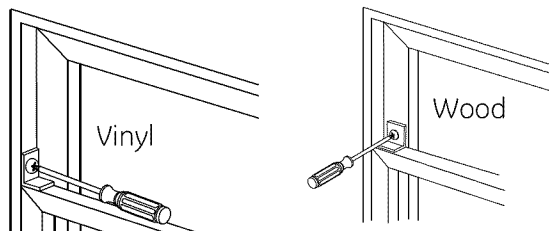
A. Top of lower window sash
B. Foam seal

- B** Place the window lock bracket as shown. Use a 1/8" drill bit to drill a starter hole through the hole in the window lock bracket and into the upper window.

⚠ CAUTION:

To prevent broken glass or damage to windows, on vinyl or other similarly constructed windows, attach the window locking bracket to the window side jamb with one type B screw.

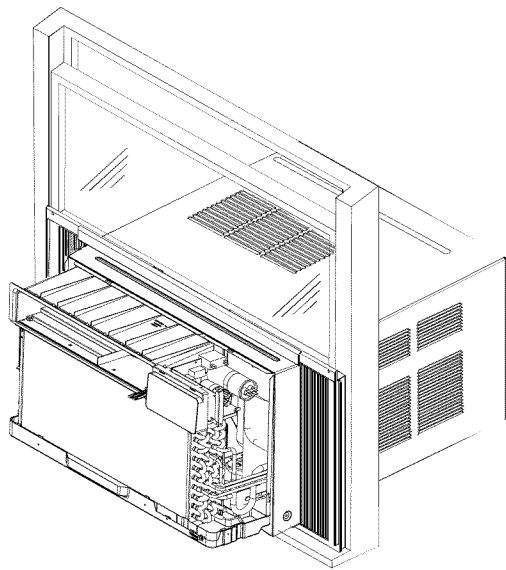
- C** Attach the window lock bracket to the upper window with a type C screw to secure the window in place.



Installation Instructions

7 RETURN CHASSIS TO THE OUTER CASE

- A Once the case is securely attached to the window, reinstall the air conditioner. Have two people lift the air conditioner and slide it into the case.
- B Snap the front grille back onto the air conditioner. Use the screws removed at the beginning of the installation to secure the grille.



7 RETURN CHASSIS TO THE OUTER CASE

⚠ WARNING



Electrical Shock Hazard

- Plug into a grounded 3 prong outlet.
- Do not remove ground prong.
- Do not use an adapter.
- Do not use an extension cord.
- Failure to follow these instructions can result in death, fire, or electrical shock.

- C Plug into a grounded 3-prong outlet.

- D Press **RESET** on the power supply cord. See *Electrical Requirements*.

Troubleshooting Tips.

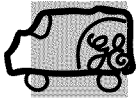
Problem	Possible Causes	What To Do
Air conditioner does not start	The air conditioner is unplugged.	<ul style="list-style-type: none"> • Make sure the air conditioner plug is pushed completely into the outlet.
	The fuse is blown/circuit breaker is tripped.	<ul style="list-style-type: none"> • Check the house fuse/circuit breaker box and replace the fuse or reset the breaker.
	Power failure.	<ul style="list-style-type: none"> • The unit will automatically restart in the settings last used after the power is restored. • There is a protective time delay (approximately 3 minutes) to prevent tripping of the compressor overload. For this reason, the unit may not start normal cooling for 3 minutes after it is turned back on.
	The current interrupter device is tripped.	<ul style="list-style-type: none"> • Press the RESET button located on the power cord plug. • If the RESET button will not stay engaged, discontinue use of the air conditioner and contact a qualified service technician.
Air conditioner does not cool as it should	Airflow is restricted.	<ul style="list-style-type: none"> • Make sure there are no curtains, blinds or furniture blocking the front of the air conditioner.
	The temp control may not be set correctly.	<ul style="list-style-type: none"> • In the Cool mode, press the Decrease ▼ pad.
	The air filter is dirty.	<ul style="list-style-type: none"> • Clean the filter at least every 30 days. See the <i>Care and Cleaning</i> section.
	The room may have been hot.	<ul style="list-style-type: none"> • When the air conditioner is first turned on, you need to allow time for the room to cool down.
	Cold air is escaping.	<ul style="list-style-type: none"> • Check for open furnace registers and cold air returns.
	Cooling coils have iced up.	<ul style="list-style-type: none"> • See "Air conditioner freezing up" below.
Air conditioner freezing up	Ice blocks the air flow and stops the air conditioner from cooling the room.	<ul style="list-style-type: none"> • Set the controls at High Fan or High Cool and set the thermostat to a higher temperature.
The remote control is not working	The battery is inserted incorrectly.	<ul style="list-style-type: none"> • Check the position of the battery. They should be inserted in the opposite (+) and (-) direction.
	The battery may be dead.	<ul style="list-style-type: none"> • Replace the battery.
Water drips outside	Hot, humid weather.	<ul style="list-style-type: none"> • This is normal.
Water drips indoors	The air conditioner is not tilted to the outside.	<ul style="list-style-type: none"> • For proper water disposal, make sure the air conditioner slants slightly from the case front to the rear.
Water collects in base pan	Moisture removed from air and drains into base pan.	<ul style="list-style-type: none"> • This is normal for a short period in areas with little humidity; normal for a longer period in very humid areas.

Normal Operating Sounds

- You may hear a pinging noise caused by water being picked up and thrown against the condenser on rainy days or when the humidity is high. This design feature helps remove moisture and improve efficiency.
- You may hear the thermostat click when the compressor cycles on and off.
- Water will collect in the base pan during high humidity or on rainy days. The water may overflow and drip from the outdoor side of the unit.
- The fan may run even when the compressor does not.

Note

GE Air Conditioner—One-Year Limited Warranty. (For customers in the U.S.A.)



All warranty service provided by our Factory Service Centers, or an authorized Customer Care® technician. To schedule service, visit us on-line at ge.com, or call 800.GE.CARES (800.432.2737). Have serial number and model number available when calling for service.

Staple your receipt here.
Proof of the original purchase date is needed to obtain service under the warranty.

For The Period Of: GE Will Replace:

One Year

From the date of the original purchase

Any part of the air conditioner which fails due to a defect in materials or workmanship. During this **limited one-year warranty**, GE will also provide, **free of charge**, all labor and related service to replace the defective part.

What Is Not Covered:

- Service trips to your home to teach you how to use the product.
- Replacement of house fuses or resetting of circuit breakers.
- Improper installation, delivery or maintenance. If you have an installation problem, or if the air conditioner is of improper cooling capacity for the intended use, contact your dealer or installer. You are responsible for providing adequate electrical connecting facilities.
- Failure due to corrosion on models not corrosion-protected.
- Failure of the product resulting from modifications to the product or due to unreasonable use including failure to provide reasonable and necessary maintenance.
- Damage to the product caused by improper power supply voltage, accident, fire, floods or acts of God.
- In commercial locations, labor necessary to move the unit to a location where it is accessible for service by an individual technician.
- Incidental or consequential damage caused by possible defects with this air conditioner.
- Damage caused after delivery.

EXCLUSION OF IMPLIED WARRANTIES—Your sole and exclusive remedy is product repair as provided in this Limited Warranty. Any implied warranties, including the implied warranties of merchantability or fitness for a particular purpose, are limited to one year or the shortest period allowed by law.

This warranty is extended to the original purchaser and any succeeding owner for products purchased for home use within the USA. If the product is located in an area where service by a GE Authorized Servicer is not available, you may be responsible for a trip charge or you may be required to bring the product to an Authorized GE Service location for service. In Alaska, the warranty excludes the cost of shipping or service calls to your home.

Some states do not allow the exclusion or limitation of incidental or consequential damages. This warranty gives you specific legal rights, and you may also have other rights which vary from state to state. To know what your legal rights are, consult your local or state consumer affairs office or your state's Attorney General.

Warrantor: General Electric Company. Louisville, KY 40225

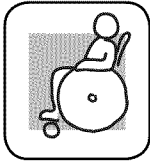
Consumer Support.



GE Appliances Website

In the U.S.A.: GEAppliances.com

Have a question or need assistance with your appliance? Try the GE Appliances Website 24 hours a day, any day of the year! For greater convenience and faster service, you can now download Owner's Manuals, or even order parts on-line. **In Canada: www.GEAppliances.ca**

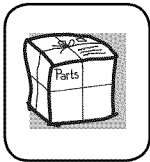


Real Life Design Studio

In the U.S.A.: GEAppliances.com

GE supports the Universal Design concept—products, services and environments that can be used by people of all ages, sizes and capabilities. We recognize the need to design for a wide range of physical and mental abilities and impairments. For details of GE's Universal Design applications, including kitchen design ideas for people with disabilities, check out our Website today. For the hearing impaired, please call 800.TDD.GEAC (800.833.4322).

In Canada, contact: Manager, Consumer Relations, Mabe Canada Inc.
Suite 310, 1 Factory Lane
Moncton, N.B. E1C 9M3



Parts and Accessories

In the U.S.A.: GEAppliances.com

Individuals qualified to service their own appliances can have parts or accessories sent directly to their homes (VISA, MasterCard and Discover cards are accepted). Order on-line today, 24 hours every day or by phone at 800.626.2002 during normal business hours.

Instructions contained in this manual cover procedures to be performed by any user. GE does not support any servicing of the air conditioner. We strongly recommend that you do not attempt to service the air conditioner yourself.

Customers in **Canada** should consult the yellow pages for the nearest Mabe service center, or call 1.800.561.3344.



Contact Us

In the U.S.A.: GEAppliances.com

If you are not satisfied with the service you receive from GE, contact us on our Website with all the details including your phone number, or write to: General Manager, Customer Relations
GE Appliances, Appliance Park
Louisville, KY 40225

In Canada: www.GEAppliances.ca, or write to: Director, Consumer Relations, Mabe Canada Inc.
Suite 310, 1 Factory Lane
Moncton, N.B. E1C 9M3



Acondicionadores de aire Para Sala

Instrucciones de Seguridad... 2, 3

Instrucciones de Funcionamiento
Controles5

Cuidado y Limpieza
Bobinas Exteriores5
Filtro de Aire5

Instrucciones de Instalación. 6-10

Consejos para Solucionar Problemas......11
Sonidos Normales de Funcionamiento11

Soporte al Cliente
Garantía para Clientes en EE.UU.13
Soporte al Cliente14

Manual del Propietario e Instrucciones de Instalación

AHM18*

Escriba los números de modelo y de serie aquí:

Nº de Modelo _____

Nº de Serie _____

Estos números se encuentran en una etiqueta al costado del acondicionador de aire

INFORMACIÓN IMPORTANTE DE SEGURIDAD. LEA TODAS LAS INSTRUCCIONES ANTES DE USAR.

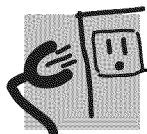
⚠ ¡ADVERTENCIA!

Por su seguridad, se debe seguir la información en este manual para minimizar el riesgo de incendios, descargas eléctricas o lesiones personales.



PRECAUCIONES DE SEGURIDAD

- Use este electrodoméstico solamente para el propósito determinado según se describe en el Manual del propietario.
- Este acondicionador de aire debe instalarse correctamente de acuerdo con las Instrucciones de instalación antes de su uso.
- Nunca desenchufe su acondicionador de aire tirando del cable eléctrico. Siempre agarre firmemente el enchufe y tire de él directamente hacia afuera.
- Reemplace inmediatamente todos los cables eléctricos que se hayan pelado o que se hayan dañado de alguna otra manera. Un cable de corriente dañado no debe repararse, sino que debe ser sustituido por uno nuevo que se adquiera del fabricante. No use un cable eléctrico que muestre evidencias de deterioro, o daños de abrasión en su superficie en alguno de sus extremos.
- Apague la unidad y desenchufe su acondicionador de aire antes de limpiar.
- GE no está no apoya que se le proporcione ningún servicio al acondicionador de aire. Vehementemente recomendamos que usted no intente proporcionar servicio al acondicionador de aire usted mismo.
- Por su seguridad...no almacene ni use materiales combustibles, gasolina u otros vapores o líquidos inflamables en la proximidad de éste o algún otro electrodoméstico.
- Todos los acondicionadores de aire contiene refrigerantes, los que por Ley Federal deben ser removidos antes de desecharlos. Si usted planea deshacerse de algún producto que contenga refrigerantes, póngase en contacto con la compañía que se encarga de recoger su basura para que le indiquen qué hacer.
- Si el receptáculo no coincide con el enchufe, un electricista calificado debe reemplazar el receptáculo.
- Estos sistemas de acondicionadores de aire R410A requieren que los contratistas y técnicos usen herramientas, equipos y estándares de seguridad aprobados para su uso con este refrigerante. NO use equipamiento certificado sólo para refrigerante R22.



CÓMO CONECTAR LA ELECTRICIDAD

Bajo ninguna circunstancia, corte o remueva la tercera púa (tierra) del cable eléctrico. En pos de la seguridad personal, este electrodoméstico debe siempre conectarse a tierra.

NO use un enchufe adaptador con este electrodoméstico.

El cable eléctrico de este electrodoméstico está equipado con un enchufe de tres púas (tierra) que combina con un tomacorriente estándar de tres tomas de pared para minimizar la posibilidad de una descarga eléctrica.

El cable de alimentación incluye un dispositivo para interrupción de corriente. Se incluye un botón de prueba y de reinicio en el dispositivo. El dispositivo debe ponerse a prueba periódicamente: primero se presiona el botón de **TEST (prueba)** y luego **RESET (reinicio)** mientras se encuentra enchufado al tomacorriente. Si el botón **TEST** no se dispara o si el botón **RESET** no queda enganchado, deje de utilizar el acondicionador de aire y comuníquese con un técnico calificado.

Pida a un técnico que inspeccione el tomacorriente y el circuito para cerciorarse de que el tomacorriente está conectado a tierra de la manera apropiada.

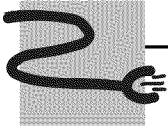
Donde exista un tomacorriente de dos tomas, es su responsabilidad y obligación personal hacer que dicho tomacorriente sea reemplazado por uno de tres tomas con conexión a tierra.

El acondicionador de aire debería siempre estar conectado a un tomacorriente individual con su circuito de voltaje correspondiente.

Esto proporciona el mayor rendimiento y además evita que los circuitos del resto de la casa se sobrecarguen, lo cual podría causar incendios por el sobrecalentamiento del cableado.

Ver las Instrucciones de instalación, en la sección **Requisitos Eléctricos** para los requisitos específicos de conexión.

⚠ ¡ADVERTENCIA!



USO DE PROLONGADORES

RIESGO DE INCENDIO. Podría ocasionar lesiones graves o la muerte.

- NO use un prolongador con este Acondicionador de Aire de Ventana.
- NO use protectores contra picos de corriente ni adaptadores para múltiples tomacorrientes con este Acondicionador de Aire de Ventana.



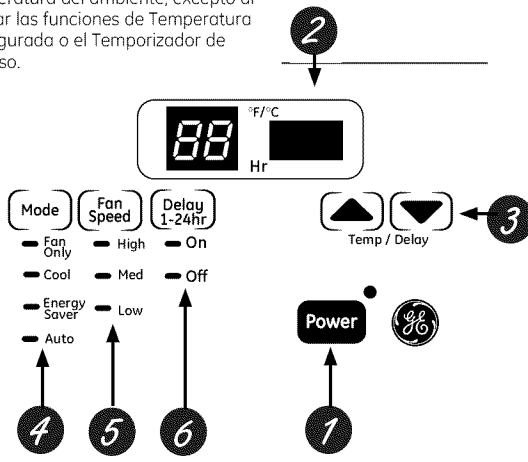
**LEA Y SIGA ESTA INFORMACIÓN DE SEGURIDAD CUIDADOSAMENTE.
GUARDE ESTAS INSTRUCCIONES**

Acerca de los controles en el acondicionador de aire

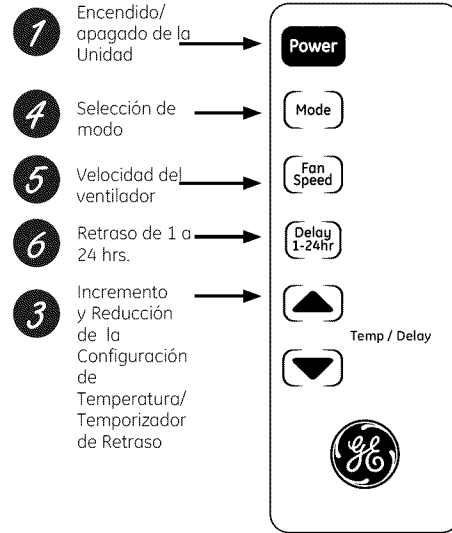
Las funciones y la apariencia podrán variar.

Las luces junto a las teclas táctiles del panel de control del acondicionador de aire indican las configuraciones seleccionadas.

NOTA: La pantalla siempre muestra la temperatura del ambiente, excepto al ajustar las funciones de Temperatura Configurada o el Temporizador de Retraso.



Controles del Acondicionador de Aire



Control Remoto



Controles

1 Tecla de Encendido

Enciende y apaga el acondicionador de aire. Al ser encendido, la pantalla mostrará la temperatura ambiente.

2 Pantalla

Muestra la temperatura ambiente o el tiempo restante en el Temporizador de Retraso. Muestra la temperatura Configurada mientras configura la temperatura en los modos Cool (Fresco) o Energy Saver (Ahorro de Energía). La luz de Configuración se encenderá mientras se esté realizando la configuración.

3 Teclas de Incremento ▲ / Reducción ▼ de Temperatura y Retraso

Use las mismas para configurar la temperatura y el tiempo de retraso. La temperatura se puede configurar en los modos Cool (Fresco), Energy Saving (Ahorro de Energía) y Auto (Automático).

4 Tecla de Modo

Use la misma para configurar el acondicionador de aire en los modos Fan Only (Sólo Ventilador), Cool (Fresco), Energy Saver (Ahorro de Energía) o Auto (Automático).

5 Teclas de Velocidad del Ventilador

Use las mismas para configurar la velocidad del ventilador en Low (Bajo), Med (Medio), o High (Alto) en la unidad.

6 Tecla de Retraso

Delay ON (Retraso Encendido)—Cuando el acondicionador de aire se encuentre apagado, se podrá configurar para que se encienda automáticamente en un período de entre 1 y 24 horas en el modo y configuraciones del ventilador previas.

Delay OFF (Retraso del Apagado)—Cuando el acondicionador de aire se encuentre encendido, se podrá configurar automáticamente para que se apague en un período de entre 1 y 24 horas.

Cómo configurar:

Presione la tecla Delay 1–24hr (Retraso entre 1 y 24 hrs.) en la unidad o en el control remoto. Cada vez que presione las teclas Increase (Incrementar) ▲ / Decrease (Reducir) ▼ de la unidad o las teclas Increase (Incrementar) + / Decrease (Reducir) – del control remoto se ajustará el temporizador por intervalos de 1 hora.

Para revisar el tiempo restante en el temporizador de Delay 1–24hr (Retraso entre 1 y 24 hrs), presione la tecla Delay 1–24hr (Retraso entre 1 y 24 hrs.) de la unidad o del control remoto. Use las teclas Increase (Incrementar) ▲ / Decrease (Reducir) ▼ de la unidad o las teclas Increase (Incrementar) + / Decrease (Reducir) – del control remoto para configurar un tiempo nuevo si así lo desea.

Para cancelar el temporizador, presione la tecla Delay 1–24hr (Retraso entre 1 y 24 hrs.) hasta que la luz de la tecla Delay 1–24hr (Retraso entre 1 y 24 hrs.) se apague.

No use en las condiciones externas debajo el punto de congelación

Este acondicionador de aire no es diseñado para usar en temperaturas externas debajo el punto de congelación. No use en las condiciones externas debajo el punto de congelación.

Control remoto

- Para garantizar una operación apropiada, oriente el control remoto hacia el receptor de señal del acondicionador de aire.
- El receptor de señal tiene un rango máximo de 20 pies.

- Cerciórese de que no haya nada entre el acondicionador de aire y el control remoto que pueda bloquear la señal.
- Cerciórese de que las baterías sean frescas y se instalen correctamente según se indica en el control remoto.

Modo Cool (Frío)

Use el modo **Cool (Frío)** a **Low (Bajo)**, **Med (Medio)**, **High (Alto)** o **Auto Fan Speed (Velocidad de ventilador automática)** para enfriar. Use las teclas de **Temperature (Temperatura) Aumento ▲ (+) / Reducción ▼ (-)** para ajustar a la temperatura deseada entre 64°F y 86°F en incrementos de 1°F.

Se usa un termostato electrónico para mantener la temperatura ambiente. El compresor hará ciclo entre apagado y encendido para mantener la habitación a la temperatura deseada. Ajuste el termostato a un número menor y el aire interno se enfriará más. Si lo ajusta a un número mayor, la temperatura del aire interno se calentará más.

NOTA: si el acondicionador de aire está apagado y se enciende mientras está configurado en un

ajuste **Cool (Frío)** o si se cambia de un ajuste de ventilador a uno de **Cool (Frío)**, puede que pasen aproximadamente unos 3 minutos hasta que el compresor arranque y comience el enfriamiento.

Descripciones de enfriamiento

Para enfriamiento normal—Seleccione el modo **Cool (Frío)** y ventilador **High (Alto)** o **Med (Medio)** con una temperatura de ajuste media.

Para enfriamiento máximo—Seleccione el modo **Cool (Frío)** y ventilador **High (Alto)** con una temperatura de ajuste menor.

Para enfriamiento silencioso y enfriamiento nocturno—Seleccione el modo **Cool (Frío)** y ventilador **Low (Bajo)** con una temperatura de ajuste media.

Energy Saver Mode (Modo de ahorro de energía)

Controla el ventilador.

ON (ENCENDIDO)—El ventilador hará un ciclo de encendido y apagado con el compresor. Este resulta en variaciones mayores en la temperatura de la habitación y en la humedad. Normalmente usado cuando la habitación no está ocupada.

NOTA: puede que el ventilador siga funcionando durante un corto tiempo después de desactivarse el ciclo del compresor.

OFF (APAGADO)—El ventilador funciona todo el tiempo, mientras que el compresor pasa por los ciclos de encendido y apagado.

Modo de Fan Only (Solo ventilador)

Use el modo Fan only (Solo ventilador) a velocidad Low (Baja), Med (Media) o High (Alta) para proporcionar circulación de aire y filtración sin enfriamiento. Debido a que los niveles de ventilador únicamente no proporcionan

enfriamiento, no se puede introducir una temperatura Definida. Aparecerá en pantalla la temperatura ambiente.

NOTA: la Velocidad de ventilador automática no puede utilizarse en el modo **Fan only (Solo ventilador)**.

Velocidad de ventilador automática

Indique la opción en Velocidad de ventilador automática para definir automáticamente la velocidad necesaria para proporcionar una configuración de comodidad óptima con la temperatura elegida.

Si la habitación necesita más enfriamiento, la velocidad del ventilador aumentará

automáticamente. Si la habitación necesita menos enfriamiento, la velocidad del ventilador descenderá automáticamente.

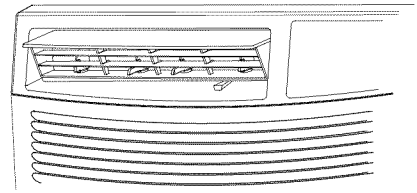
NOTA: la Velocidad de ventilador automática no puede utilizarse en el modo **Fan only (Solo ventilador)**.

Acerca de los controles en el acondicionador de aire.

Información importante adicional.

Dirección del aire

Use la palanca para ajustar la dirección del aire hacia la izquierda, derecha, arriba y abajo.



Cuidado y limpieza del acondicionador de aire.

Rejilla y caja

Apague el acondicionador de aire y retire el enchufe del tomacorriente de la pared antes de limpiar.

Para limpiar, use agua y un detergente suave. No use cloro o materiales abrasivos.

Filtro de aire

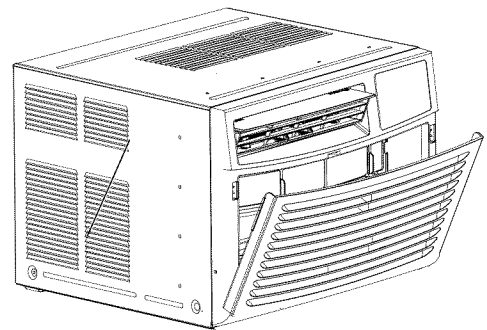
El filtro de aire detrás de la rejilla frontal debe inspeccionarse y limpiarse por lo menos cada 30 días o más a menudo si fuese necesario.

Para retirarlo:

Abra la rejilla de entrada empujando hacia abajo las lengüetas en las esquinas superiores de la rejilla de entrada, hasta que la rejilla se encuentre en una posición de 45°. Retire el filtro.

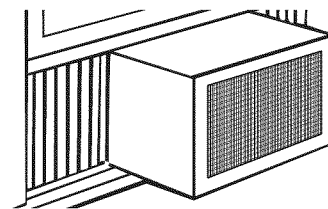
Limpie el filtro con agua tibia y jabón. Enjuáguelo y permita que se seque antes de colocarlo otra vez en su lugar. No lave el filtro en un lavavajillas.

⚠ PRECAUCIÓN: NO OPERE el acondicionador de aire sin el filtro debido a que la suciedad y las pelusas lo obstruirán y reducirán su rendimiento.



Bobinas para exteriores

Se deben inspeccionar con frecuencia las bobinas en el lado exterior del acondicionador de aire. Si las mismas están obstruidas con suciedad u hollín, podrían limpiarse profesionalmente.



Cómo insertar las pilas en el control remoto

- 1 Retire la cubierta de la pila deslizándola de acuerdo con la dirección de la flecha.
- 2 Inserte pilas nuevas cerciorándose de que los polos positivos (+) y negativos (-) están orientados correctamente.
- 3 Coloque la cubierta otra vez deslizándola en su lugar.

NOTAS:

- Use 2 pilas alcalinas "AAA" de 1,5 voltios. No use pilas recargables.
- Retire las pilas del control remoto si no va a usar el sistema por un período prolongado.

Instrucciones de instalación

Acondicionador de aire

? ¿Preguntas? Llame 800.GE.CARES (800.432.2737) o visite nuestra página en la red en: GEAppliances.com



ANTES DE INICIAR

Lea estas instrucciones completa y cuidadosamente.

- **IMPORTANTE** – Guarde estas instrucciones para uso del inspector local.
- **IMPORTANTE** – Observe todos los códigos y órdenes de ley.
- **Nota al instalador** – Asegúrese de dejar estas instrucciones con el consumidor.
- **Nota al consumidor** – Conserve estas instrucciones para referencia futura.
- **Nivel de destreza** – La instalación de este aparato requiere de destrezas mecánicas básicas.
- **Tiempo de ejecución** – Aprox. 1 hora
- Recomendamos dos personas para la instalación de este producto.
- La instalación apropiada es la responsabilidad del instalador.
- La falla del producto debido a una instalación inadecuada no está cubierta por la garantía.
- Cuando instale este acondicionador de aire, DEBE usar todas las piezas suministradas y usar procedimientos adecuados de instalación.

⚠ PRECAUCIÓN:

Bajo ninguna circunstancia corte o remueva la tercera púa (conexión a tierra) del cable eléctrico.

No cambie el enchufe en el cable eléctrico de este acondicionador de aire.

Los cables caseros de aluminio podrían presentar problemas especiales. Consulte a un técnico electricista calificado.



REQUISITOS ELÉCTRICOS



Algunos modelos requieren tomacorrientes de 115/120 voltios de corriente alterna y 60 Hz conectados a tierra, protegidos con un fusible de dilatación de tiempo de 15 amperios o un cortacircuitos.

El enchufe de tres púas con conexión a tierra minimiza la posibilidad de descargas eléctricas. Si el tomacorriente de la pared que usted planea usar solamente tiene 2 tomas, es su responsabilidad hacer que un técnico lo reemplace por uno de tres tomas con conexión a tierra.



Algunos modelos requieren 230/208 voltios, de corriente alterna, protegidos por un fusible de dilatación de tiempo

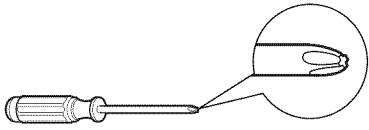


o un cortacircuitos. Estos modelos deberían instalarse en un ramal exclusivo del circuito para un rendimiento más notable y para prevenir sobrecargas en los circuitos de cableados de su casa o apartamento, lo cual podría representar un riesgo de incendio por el sobrecalentamiento de los alambres.

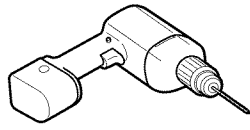
El cable de alimentación incluye un dispositivo para interrupción de corriente. Se incluye un botón de prueba y de reinicio en el dispositivo. El dispositivo debe ponerse a prueba periódicamente: primero se presiona el botón de **TEST (prueba)** y luego **RESET (reinicio)** mientras se encuentra enchufado al tomacorriente. Si el botón **TEST** no se dispara o si el botón **RESET** no queda enganchado, deje de utilizar el acondicionador de aire y comuníquese con un técnico calificado.

Instrucciones de instalación

HERRAMIENTAS QUE NECESITARÁ



Un destornillador de estrella



Taladro y broca de 1/8"



Llave francesa



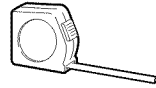
Lápiz



Un destornillador con hoja plana



Tijeras o cuchilla

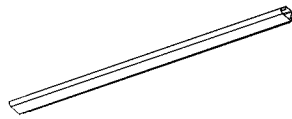


Una regla o cinta métrica

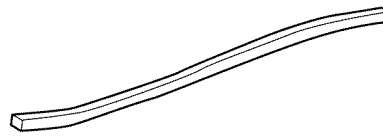


Nivel

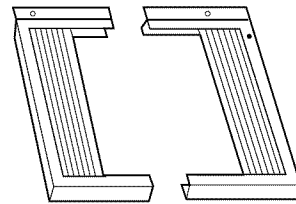
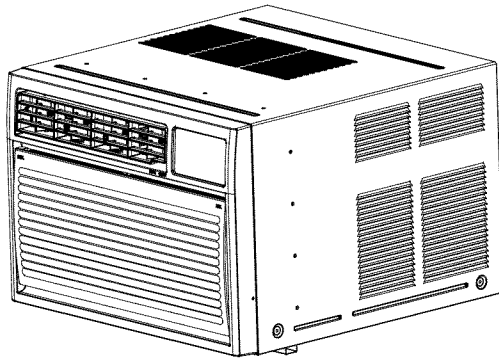
PARTES INCLUIDAS (Apariencia puede variar)



Riel de montaje superior

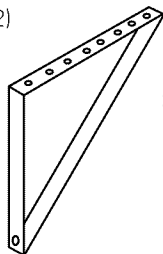


Sellador de Gomaespuma

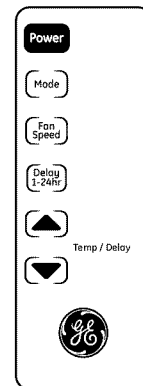


Cortinas Izquierda y Derecha

Soporte de Instalación (2)



Soporte de Bloqueo para Ventana



Control Remoto

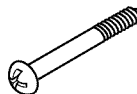
A. Tornillos de 13/32" (12)



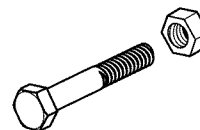
B. Tornillos de 13/32" (6)



C. Tornillos de 31/32" (8)



D. Tornillo de Cabeza Plana de 2-1/2" y Tuerca de Bloqueo (2)

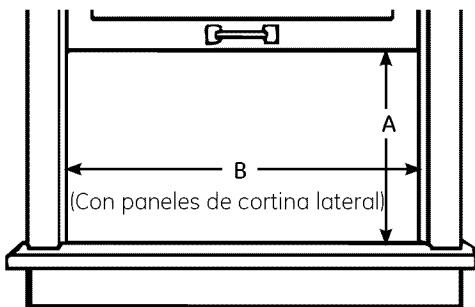


Instrucciones de instalación

1 REQUISITOS PARA LA VENTANA

- Estas instrucciones son para una ventana estándar de dos pliegues. Usted necesitará modificar el proceso para otros tipos de ventanas.
- Todas las partes de apoyo deben quedar totalmente aseguradas a algún metal, mampostería o a la madera.
- El tomacorriente eléctrico debe estar al alcance del cable eléctrico del acondicionador de aire.
- Siga las dimensiones de la tabla y la ilustración según su modelo.

Models	A	B
AHM18DP	17 13/8" min.	28 3/8" - 38"



2 REQUISITOS DE UNA VENTANA DE TORMENTAS

Un marco de ventana de tormentas no permitirá que el acondicionador de aire se incline hacia el exterior y evitará que drene apropiadamente. Para solucionar este problema, adhiera un pedazo de madera a el umbral.

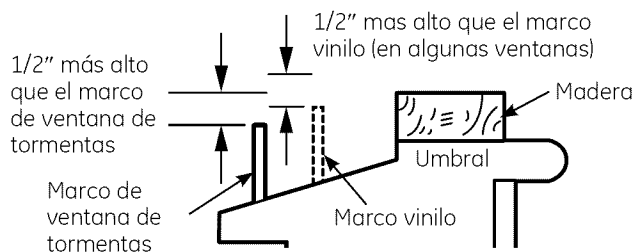
PEDAZOS DE MADERA

ANCHO: 2"

LONGITUD: Lo suficientemente largo como para ajustar en el interior del marco de la ventana.

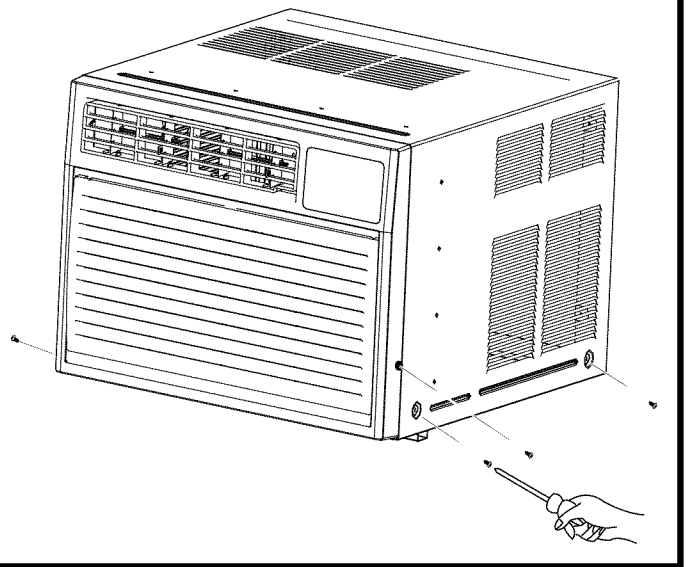
GRUESO: Para determinar el grosor, coloque un pedazo de madera en el umbral para hacerla 1/2" más alta que la parte superior del marco de la ventana de tormentas o del marco vinilo.

Péguelo firmemente con clavos o con tornillos proporcionados por el instalador.



3 PREPARE EL ACONDICIONADOR DE AIRE

- A Retire los tres tornillos que se encuentran a cada lado de la caja. Guarde los mismos para su uso posterior.
- B Inserte un tornillo de cabeza plana entre la parrilla frontal y la caja de metal sobre los costados. Suavemente levante la parrilla de la caja. **NOTA:** Cubra el destornillador de cabeza plana con cinta, a fin de evitar rayones sobre la caja.
- C Utilizando la manija en la parte frontal inferior del acondicionador de aire, empuje el acondicionador de aire hacia afuera de la caja. El acondicionador de aire es muy pesado; por lo tanto, asegúrese de que sea apoyado sobre una superficie sólida.

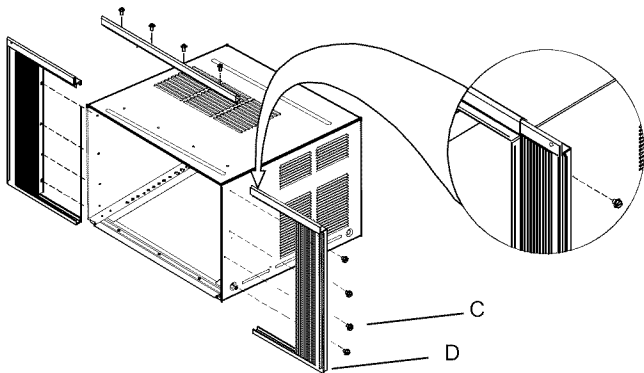


Instrucciones de instalación

4 PREPARE LA CAJA

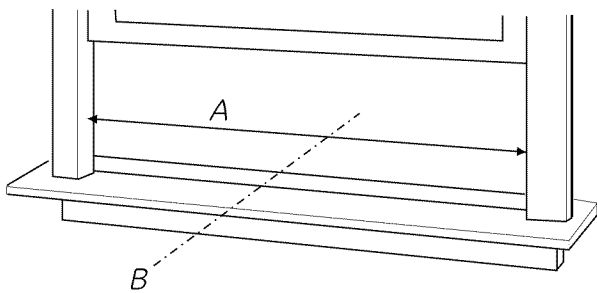
NOTA: Coloque las cortinas en el acondicionador de aire antes de colocar el acondicionador de aire en la ventana.

- A Instale el riel de montaje superior con cuatro tornillos tipo A.
- B Deslice la junta de la cortina del lado izquierdo en el extremo izquierdo de los rieles de montaje superior e inferior.
- C Coloque las tiras de retención de la cortina sobre los costados de la caja externa con cuatro tornillos tipo A en cada lado.



5 PREPARE LA VENTANA PARA SU INSTALACIÓN

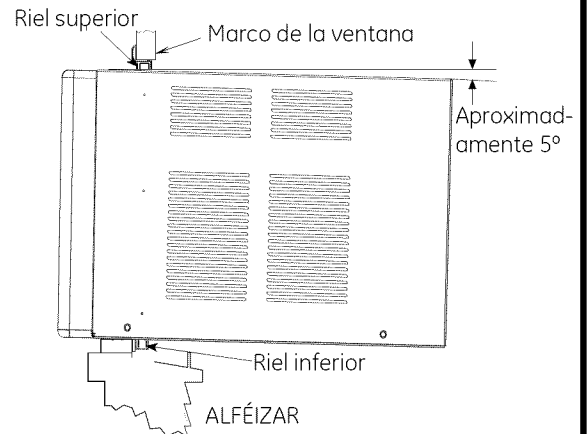
- A Mida el ancho de apertura de la ventana.
- B Marque la línea central en la parte inferior del alféizar de la ventana.



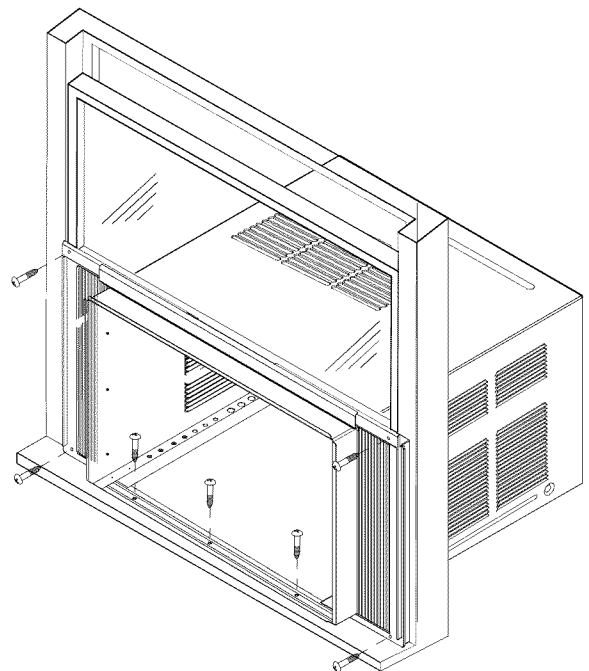
A. Ancho de apertura de la ventana
B. Línea central

5 INSTALE LA CAJA EXTERIOR EN LA VENTANA

- A Coloque la caja exterior en la ventana. Baje el marco hasta que se apoye detrás de la pestaña frontal del riel de montaje superior. El riel de montaje inferior se deberá apoyar detrás del alféizar de la ventana.



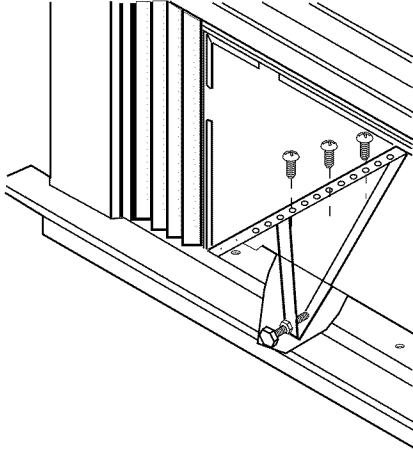
- B Expanda los paneles de la cortina hasta cubrir la ventana. Asegure estos con un tornillo de madera tipo C en los ángulos superior e inferior. Si es necesario, use un taladro y una broca de 1/8" para taladrar agujeros piloto para los tornillos.
- C Use tornillos tipo C para asegurar la caja sobre el alféizar. Taladre agujeros piloto si es necesario.



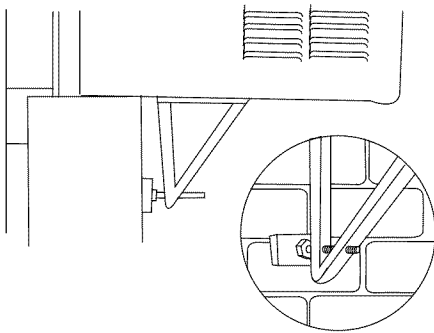
Instrucciones de instalación

5 INSTALE LA CAJA EXTERNA PARA VENTANA

- D** Enrosque la tuerca en el tornillo; luego enrosque el tornillo en el soporte triangular, como se muestra en la figura más abajo.



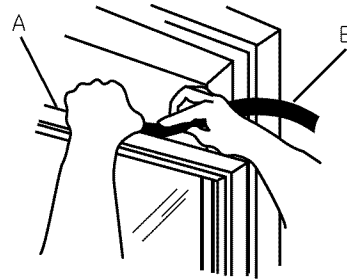
- E** Adhiera el soporte triangular a la parte inferior de la caja, usando tres tornillos tipo B para cada soporte. Asegúrese de que el soporte se encuentre lo suficientemente cerca de la pared exterior de modo que tenga contacto con el tornillo. Ajuste el tornillo de manera que se ajuste contra la pared exterior.



NOTA: Se puede colocar un bloque de madera entre el tornillo y la pared exterior, si el tornillo se encuentra entre montajes.

6 INSTALACIÓN COMPLETA

- A** Inserte el sello de gomaespuma detrás de la parte superior del marco de la ventana y contra el vidrio de la ventana superior.



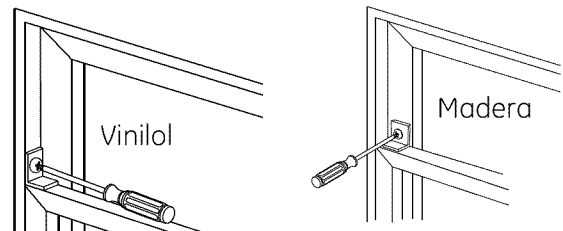
A. Parte superior del marco inferior de la ventana
B. Sellador de gomaespuma

- B** Coloque el soporte de bloqueo de la ventana como se muestra. Use una broca de 1/8" para taladrar un agujero inicial a través del agujero del soporte de bloqueo de la ventana y en la ventana superior.

⚠ PRECAUCIÓN:

Para evitar la rotura de vidrios o daños sobre las ventanas, en ventanas de vinilo u otras ventanas construidas de forma similar, adhiera el soporte de bloqueo de la ventana a la jamba lateral de la ventana con un tornillo tipo B.

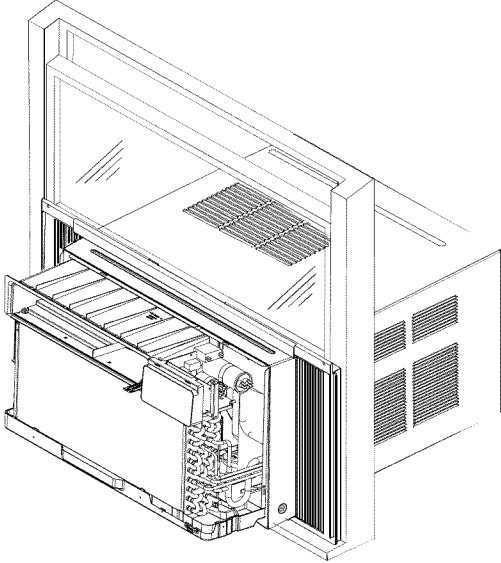
- C** Adhiera el soporte de bloqueo de la ventana a la ventana superior con un tornillo tipo C, a fin de asegurar la ventana en su posición.



Instrucciones de instalación

7 REGRESE EL CHASIS A LA CAJA EXTERNA

- A Una vez que la caja se haya asegurado a la ventana, vuelva a instalar el acondicionador de aire. Asegúrese de que dos personas levanten el acondicionador de aire y que lo deslicen en la caja.
- B Presione la parrilla frontal nuevamente sobre el acondicionador de aire. Use los tornillos retirados al comenzar la instalación, para asegurar la parrilla.



7 REGRESE EL CHASIS A LA CAJA EXTERNA

⚠ ADVERTENCIA



Riesgo de Descarga Eléctrica

No retire el cable a tierra.

No use un adaptador.

No use un prolongador.

Si no se siguen estas instrucciones, se podrá producir la muerte, incendio o descargas eléctricas.

- C Enchufe en un tomacorriente de 3 patas con conexión a tierra.
- D Presione RESET (Reiniciar) en el cable de suministro de corriente. Consulte Requisitos Eléctricos.

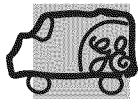
Solucionar problemas.

Problema	Causas posibles	Qué hacer
El acondicionador de aire no enciende	El acondicionador de aire está desconectado.	<ul style="list-style-type: none"> Cerciórese de que el acondicionador de aire está enchufado totalmente en el tomacorriente.
	El fusible se disparó / el cortacircuitos se disparó.	<ul style="list-style-type: none"> Inspeccione los fusibles / caja de interruptores de la casa y reemplace cualquier fusible o reajuste el interruptor.
	Interrupción en el suministro eléctrico.	<ul style="list-style-type: none"> La unidad se reiniciará automáticamente con la configuración utilizada por última vez luego de reestablecer la electricidad. Existe un retraso de tiempo por protección (de aproximadamente 3 minutos) para evitar la desconexión por sobrecarga del compresor. Por esta razón, es posible que la unidad no comience a enfriar de forma normal hasta transcurridos 3 minutos desde que volvió a encenderse.
	El dispositivo de interrupción de corriente se ha activado.	<ul style="list-style-type: none"> Presione el botón RESET ubicado en el cable de alimentación. Si el botón RESET no se mantiene en su lugar, no utilice más el acondicionador de aire y comuníquese con un técnico calificado.
El acondicionador de aire no enfría como debería	El flujo de aire está restringido.	<ul style="list-style-type: none"> Cerciórese de que no existe ninguna cortina, persiana o mueble bloqueando el frente del acondicionador de aire.
	El filtro de aire está sucio.	<ul style="list-style-type: none"> Limpie el filtro cada 30 días por lo menos. Ver la sección de Cuidado y limpieza.
	La habitación podría haber estado caliente.	<ul style="list-style-type: none"> Cuando el acondicionador de aire se enciende, usted necesita darle tiempo para que enfríe la habitación.
	El aire frío se está escapando.	<ul style="list-style-type: none"> Cerciórese de que los registros de la calefacción no están abiertos y se encuentran retornando el aire frío.
	Las bobinas de enfriamiento se congelaron.	<ul style="list-style-type: none"> Ver "El acondicionador de aire se está congelando" más adelante.
El acondicionador de aire se está congelando	El hielo bloquea el flujo de aire hacia el acondicionador de aire evitando que se enfríe la habitación.	<ul style="list-style-type: none"> Coloque los controles en High Fan (Ventilador Alto) ó High Cool (Frío Alto) y ajuste el termostato a una temperatura más alta.
Hay agua goteando afuera	Tiempo húmedo y caliente.	<ul style="list-style-type: none"> Esto es normal.
Hay agua goteando en el interior de la habitación	El acondicionador de aire no está inclinado hacia afuera.	<ul style="list-style-type: none"> Para drenar el agua apropiadamente, cerciórese de que el acondicionador de aire está inclinado ligeramente desde el frente hacia atrás.
Se acumula agua en la bandeja	La humedad removida del aire y se drena hasta la bandeja.	<ul style="list-style-type: none"> Esto es normal por un corto período en áreas con poca humedad; normal por un período de tiempo más postergado en áreas más húmedas.

Sonidos de operación normales

- Quizás escuche un sonido metálico causado por el agua tomada y tirada contra el condensador en los días lluviosos o cuando la humedad es alta. Esta característica de diseño ayuda a remover la humedad y mejora la eficiencia.
- Quizás escuche que el termostato hace clic cuando el compresor hace ciclo entre encendido y apagado.
- El agua se acumula en la bandeja durante días lluviosos o con mucha humedad. El agua podría derramarse y gotear desde el lado externo de la unidad.
- El ventilador podría funcionar aun si el compresor no lo hace.

Garantía de su acondicionador de aire—garantía limitada de un año.



Todos los servicios de garantía los proporcionan nuestros Centros de Reparación de Fábrica o nuestros técnicos Customer Care® autorizados. Para concertar una cita de reparación, en línea, 24 horas al día, visítenos al ge.com, o llame al 800.GE.CARES (800.432.2737). Cuando llame para solicitar servicio, por favor tenga a mano el número de serie y el número de modelo.

Grape aquí su recibo. Se requiere facilitar prueba de la fecha de compra original para obtener un servicio bajo la garantía.

Por el período de: **GE reemplazará:**

Un año

A partir de la fecha de la compra original

Cualquier parte del acondicionador de aire que falle debido a defectos en los materiales o en la fabricación. Durante esta garantía limitada de un año, GE también proporcionará, sin costo alguno, toda la mano de obra y el servicio relacionado—para reemplazar partes defectuosas.

Lo que no está cubierto:

- Viajes de servicio a su casa para mostrarle cómo funciona el equipo.
- Instalación o entrega inapropiada, o mantenimiento impropio. Si usted tiene un problema durante la instalación, o si su acondicionador de aire no tiene la capacidad de enfriamiento que usted necesita, póngase en contacto con nuestro distribuidor o instalador. Usted es responsable de proporcionar las facilidades de conexión eléctrica necesarias.
- Fallo del producto resultante de modificaciones al producto o debido a uso irrazonable incluyendo no proporcionar mantenimiento razonable y necesario.
- En locales comerciales, la mano de obra necesaria para retirar la unidad hacia un lugar para revisión por parte de un técnico individual.
- Reemplazo de fusibles de la casa o reajuste del sistema de circuitos.
- Fallos debido a la corrosión en modelos que no están protegidos contra la corrosión.
- Daño al producto causado por voltaje inapropiado hacia el equipo, accidentes, incendios, inundaciones o actos de la naturaleza de fuerza mayor.
- Daños incidentales o consecuenciales causados por defectos posibles con este acondicionador de aire.
- Daños después de la entrega.

EXCLUSIÓN DE GARANTÍAS IMPLÍCITAS—Su único y exclusivo derecho es la reparación del producto, tal y como se indica en esta Garantía limitada. Cualquier garantía implícita, incluyendo las garantías implícitas de comerciabilidad o adecuación para un fin determinado, están limitadas a un año o el período de tiempo más breve permitido por la ley.

Esta garantía se extiende al comprador original y cualquier comprador posterior de productos comprados para uso residencial dentro de Estados Unidos. Si el producto está situado en un área que no dispone de servicio por parte de un proveedor de servicio autorizado de GE, podría tener que hacerse cargo de los costes de envío o bien podría solicitársele que lleve el producto a una centro de servicio de GE autorizado para realizar la reparación. En Alaska, la garantía excluye el costo de envío o las visitas de servicio a su casa.

Algunos estados no permiten la exclusión o las limitaciones de daños incidentales o consecuenciales. Esta garantía da derechos legales específicos, y usted podría tener otros derechos que variarán de estado a estado. Para saber cuáles son sus derechos legales, consulte a la oficina de asuntos del consumidor local o la oficina del Attorney General en su localidad.

Garante: General Electric Company. Louisville, KY 40225

Apoyo al consumidor.



Página Web de GE Appliances

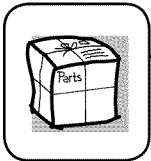
GEAppliances.com

¿Tiene alguna pregunta sobre su electrodoméstico? ¡Pruebe la página Web de GE Appliances 24 horas al día, cualquier día del año! Para mayor conveniencia y servicio más rápido, ya puede descargar los Manuales de los Propietarios, pedir piezas o incluso hacer una cita en línea para que vengan a realizar una reparación.



Real Life Design Studio (Estudio de diseño para la vida real)GEAppliances.com

GE apoya el concepto de Diseño Universal—productos, servicios y ambientes que pueden usar gente de todas las edades, tamaños y capacidades. Reconocemos la necesidad de diseñar para una gran gama de habilidades y dificultades físicas y mentales. Para más detalles sobre las aplicaciones de GE Diseño Universal, incluyendo ideas de diseño para la cocina para personas con discapacidades, mire nuestra página Web hoy mismo. Para personas con dificultades auditivas, favor de llamar al 800.TDD.GEAC (800.833.4322).



Piezas y accesorios

GEAppliances.com

Aquellos individuos con la calificación necesaria para reparar sus propios electrodomésticos pueden pedir que se les manden las piezas o accesorios directamente a sus hogares (aceptamos las tarjetas VISA, MasterCard y Discover). Haga su pedido en línea hoy, 24 horas cada día o llamar por teléfono al 800.626.2002 durante horas normales de oficina.

Las instrucciones descritas en este manual cubren los procedimientos a seguir por cualquier usuario. GE no está no apoya que se le proporcione ningún servicio al acondicionador de aire. Vehementemente recomendamos que usted no intente proporcionar servicio al acondicionador de aire usted mismo.



Póngase en contacto con nosotros

GEAppliances.com

Si no está satisfecho con el servicio que recibe de GE, póngase en contacto con nosotros en nuestra página Web indicando todos los detalles así como su número de teléfono o escribanos a:

General Manager, Customer Relations
GE Appliances, Appliance Park
Louisville, KY 40225

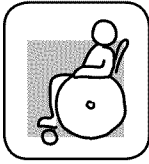
Consumer Support.



GE Appliances Website

In the U.S.A.: GEAppliances.com

Have a question or need assistance with your appliance? Try the GE Appliances Website 24 hours a day, any day of the year! For greater convenience and faster service, you can now download Owner's Manuals, or even order parts on-line. In Canada: www.GEAppliances.ca

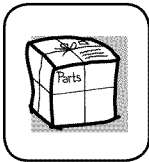


Real Life Design Studio

In the U.S.A.: GEAppliances.com

GE supports the Universal Design concept—products, services and environments that can be used by people of all ages, sizes and capabilities. We recognize the need to design for a wide range of physical and mental abilities and impairments. For details of GE's Universal Design applications, including kitchen design ideas for people with disabilities, check out our Website today. For the hearing impaired, please call 800.TDD.GEAC (800.833.4322).

In Canada, contact: Manager, Consumer Relations, Mabe Canada Inc.
Suite 310, 1 Factory Lane
Moncton, N.B. E1C 9M3



Parts and Accessories

In the U.S.A.: GEAppliances.com

Individuals qualified to service their own appliances can have parts or accessories sent directly to their homes (VISA, MasterCard and Discover cards are accepted). Order on-line today, 24 hours every day or by phone at 800.626.2002 during normal business hours.

Instructions contained in this manual cover procedures to be performed by any user. GE does not support any servicing of the air conditioner. We strongly recommend that you do not attempt to service the air conditioner yourself.

Customers in Canada should consult the yellow pages for the nearest Mabe service center, or call 1.800.561.3344.



Contact Us

In the U.S.A.: GEAppliances.com

If you are not satisfied with the service you receive from GE, contact us on our Website with all the details including your phone number, or write to: General Manager, Customer Relations
GE Appliances, Appliance Park
Louisville, KY 40225

In Canada: www.GEAppliances.ca, or write to: Director, Consumer Relations, Mabe Canada Inc.
Suite 310, 1 Factory Lane
Moncton, N.B. E1C 9M3