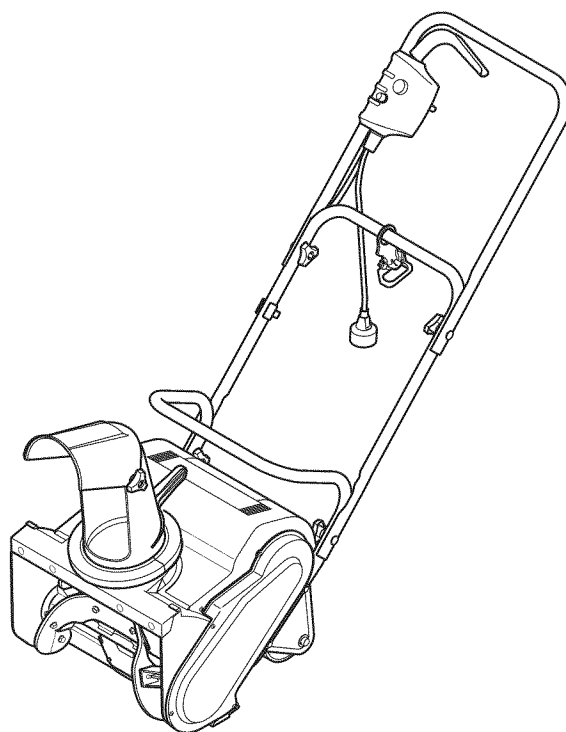


OPERATOR'S MANUAL



Electric Snow Thrower — Model 050

WARNING

**READ AND FOLLOW ALL SAFETY RULES AND INSTRUCTIONS IN THIS MANUAL
BEFORE ATTEMPTING TO OPERATE THIS MACHINE.
FAILURE TO COMPLY WITH THESE INSTRUCTIONS MAY RESULT IN PERSONAL INJURY.**

MTD LLC, P.O. BOX 361131 CLEVELAND, OHIO 44136-0019

Thank You

Thank you for purchasing an MTD Electric Snow Thrower. It was carefully engineered to provide excellent performance when properly operated and maintained.

Please read this entire manual prior to operating the equipment. It instructs you how to safely and easily set up, operate and maintain your machine. Please be sure that you, and any other persons who will operate the machine, carefully follow the recommended safety practices at all times. Failure to do so could result in personal injury or property damage.

All information in this manual is relative to the most recent product information available at the time of printing. Review this manual frequently to familiarize yourself with the machine, its features and operation. Please be aware that this Operator's Manual may cover a range of product specifications for various models. Characteristics and features discussed and/or illustrated in this manual may not be applicable to all models. We reserve the right to change product specifications, designs and equipment without notice and without incurring obligation.

If you have any problems or questions concerning the machine, phone your local authorized MTD service dealer or contact us directly. MTD's Customer Support telephone numbers, website address and mailing address can be found on this page. We want to ensure your complete satisfaction at all times.

Throughout this manual, all references to *right* and *left* side of the machine are observed from the operating position

Table of Contents

<i>Safe Operation Practices</i>	3	<i>Service</i>	11
<i>Assembly & Set-Up</i>	6	<i>Troubleshooting</i>	12
<i>Operation</i>	8	<i>Illustrated Parts List</i>	14
<i>Maintenance & Adjustment</i>	10	<i>Warranty</i>	Back Cover

Record Product Information

Before setting up and operating your new equipment, please locate the model plate on the equipment and record the information in the provided area to the right. You can locate the model plate by standing on the left side of the snow thrower and looking at the belt cover. This information will be necessary, should you seek technical support via our web site, Customer Support Department, or with a local authorized service dealer.

MODEL NUMBER

--	--	--	--	--	--	--	--	--	--	--

SERIAL NUMBER

--	--	--	--	--	--	--	--	--	--	--

Customer Support

Please do NOT return the machine to the retailer or dealer without first contacting the Customer Support Department.

If you have difficulty assembling this product or have any questions regarding the controls, operation, or maintenance of this machine, you can seek help from the experts. Choose from the options below:

- ◇ Visit us on the web at www.mtdproducts.com
- ◇ Call a Customer Support Representative at (800) 800-7310 or (330) 220-4683
- ◇ Write to MTD LLC • P.O. Box 361131 • Cleveland, OH • 44136-0019



WARNING: This symbol points out important safety instructions which, if not followed, could endanger the personal safety and/or property of yourself and others. Read and follow all instructions in this manual before attempting to operate this machine. Failure to comply with these instructions may result in personal injury.

When you see this symbol, **HEED ITS WARNING!**



DANGER: This machine was built to be operated according to the safe operation practices in this manual. As with any type of power equipment, carelessness or error on the part of the operator can result in serious injury. This machine is capable of amputating fingers, hands, toes and feet and throwing objects. Failure to observe the following safety instructions could result in serious injury or death.



WARNING: When using electric snow throwers, basic safety precautions should always be followed to reduce the risk of fire, electric shock, and personal injury. These basic precautions include the following.

READ ALL INSTRUCTIONS

Double Insulated Snow Thrower



Double insulation is a concept in the safety of electric snow throwers, which eliminates the need for the usual three-wire grounded power cord and grounded power supply system. Wherever there is electric current in the snow thrower, there are two complete sets of insulation to protect the user. All exposed metal parts are isolated from the internal metal motor components with protecting insulation.

Servicing of a snow thrower with double insulation requires extreme care and knowledge of the system and should be performed only by a qualified service technician. For repair service we suggest you take the snow thrower to your nearest authorized service dealer. Always use original equipment manufacturer's (OEM) replacement parts when servicing.

Before Operating

1. Read the instructions carefully. Be familiar with the controls and proper use of the unit.
2. Do not operate this unit when tired, ill or under the influence of alcohol, drugs or medication.
3. Keep children and other bystanders away. All visitors should be kept a safe distance from work area.
4. Children under the age of 15 must not use the unit; properly trained older teens may operate the unit with adult supervision.
5. Inspect the unit before use. Replace damaged parts. Make sure all fasteners are in place and secure. Replace snow thrower parts that are cracked, chipped, or damaged in any way.
6. Exercise caution to avoid slipping or falling.
7. Thoroughly inspect the area where the snow thrower is to be used. Remove all doormats, sleds, boards, wires, debris, and other foreign objects which may be thrown by the snow thrower.
8. Make sure the auger will spin freely before using the unit.
9. Dress properly. Wear adequate winter outer garments. Wear heavy, long pants, boots, gloves and a long sleeve shirt. Do not wear loose clothing, jewelry, short pants, sandals or go barefoot. Secure hair above shoulder level.
10. Wear footwear that doesn't leak when operating the snow thrower and that will improve footing on slippery surfaces. Wear rubber boots.
11. Never attempt to make adjustments while the motor is running.
12. Let the motor and unit adjust to outdoor temperatures before starting to clear snow.
13. Always wear safety glasses/shields or goggles at all times during operation or while performing an adjustment or repair to protect eyes from foreign objects that may be thrown from the machine.
14. When servicing use only identical replacement parts. Replace or repair damaged cords.

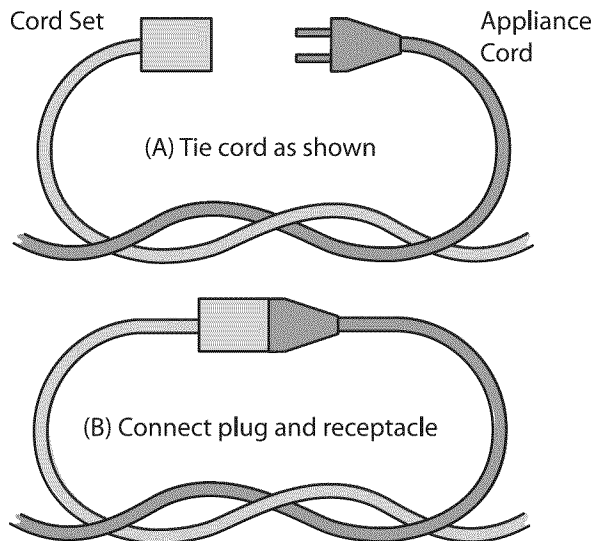


WARNING: To prevent electric shock use only with an extension cord suitable for outdoor use.

15. **CORD SETS:** Please see your dealer for the appropriated extension cord to use with this product. Make sure your cord set is in good condition, with a cord that is heavy enough to carry the current that your unit will draw. An undersized cord set will cause a drop in line voltage resulting in a loss of power, as well as overheating. The table shown above illustrates the correct size to use depending on the cord length and nameplate amperage rating. If in doubt, use the next heavier size line gauge. The smaller the gauge number, the heavier the cord. To prevent the cord from disconnecting from the unit, use the cord hook shown in the Operating Instructions.

MINIMUM WIRE SIZE FOR EXTENSION CORDS FOR 120 VOLT APPLIANCES USING 10 - 12 AMPS				
Cord Length (ft.)	25	50	100	150
Wire Size (AWG)	16	16	14	12

16. A data plate on your unit indicates the voltage used. Never connect the unit to an AC voltage that differs from this voltage.
17. Inspect all extension cords and the unit power connection periodically. Look closely for deterioration, cuts or cracks in the insulation. Also inspect the connections for damage. Repair or replace the cords if any defects appear.
18. To prevent disconnection of snow thrower cord from the extension cord during operation,
- Make a knot as shown, or
 - Use the cord retainer described in this manual



18. When cleaning, inspecting or repairing the unit, make certain the auger and all moving parts have stopped. Disconnect the extension cord to prevent accidental starting.
19. Do not abuse the extension cord. Never carry the snow thrower by the cord or yank on the cord to disconnect it from the receptacle.

20. Keep the extension cord away from heat, oil, and sharp edges to prevent damage.
21. If the extension cord is damaged in any manner while it is plugged in, pull the extension cord from the wall receptacle.
22. Prevent any possible disconnection of the cord receptacle from the extension cord during operation by using the cord retainer and guide bar. Refer to the Set-Up section.
23. Avoid accidental starting. Don't carry a plugged-in snow thrower with your finger on the switch. Be sure switch is off when plugging in the unit.
24. Always unplug the unit and allow it to cool before putting it into storage. Store indoors.
25. Always unplug the unit when not in use, and before performing any maintenance or repairs.

While Operating

- Walk, never run.
- Be sure the snow thrower is not in contact with anything before starting the unit.
- Stay away from the discharge opening at all times. Keep face, hands, and feet away from concealed moving or rotating parts.
- Be attentive when using the snow thrower, and stay alert for holes in the terrain and other hidden hazards or traffic.
- Do not use on a gravel surface or crushed rock surfaces. Use extreme caution when crossing gravel/crushed rock drives, walks, or roads.
- Clear snow from slopes by going up and down. Never go across the slope. Use caution when changing directions. Never clear snow from steep slopes.
- Never attempt to use the snow thrower on a roof or any steep, inclined, slippery surfaces.
- Never operate snow thrower without proper guards, plates or other safety protective devices in place, and in working order.
- Never operate the snow thrower near glass enclosures, automobiles, trucks, window wells, dropoffs, etc. without proper adjustment of the snow discharge angle. Keep children and pets away.
- Don't force or overload the snow thrower. The snow thrower will perform at its best and safest when it is run at the rate for which it was designed.
- Never operate the machine at high speeds on slippery surfaces. Look behind and use care when backing up.
- Never direct discharge towards people or allow anyone in front of the unit while operating.
- Wear safety glasses or goggles that are marked as meeting ANSI Z87.1 standards when operating this unit.
- Use the unit only in daylight or good artificial light.
- Avoid accidental starting. Remain in the starting position whenever starting the unit. The operator and unit must be in a stable position while starting. See Starting/Stopping Instructions.

16. Use the right tool. Only use this tool for the purpose intended.
17. Do not overreach. Always keep proper footing and balance.
18. Always hold both hands on the upper handle when operating the unit. Keep a firm grip on upper handle.
19. Do not use the unit in the hand held position. Do not pick up the unit when it is powered and running. The unit is designed to travel on the ground. The lower lift handle is only provided to assist in picking up or carrying the unit when it is not plugged in.
20. Keep hands, face, and feet at a distance from all moving parts. Do not touch or try to stop the auger when it is rotating.
21. If the auger will not rotate freely due to frozen ice, thaw the unit thoroughly before attempting to operate it under power.
22. Keep the auger clear of debris.
23. Never attempt to clear the auger with the motor running. Turn the motor off first and unplug the extension cord.
24. Keep clothing and body parts away from the auger.
25. Do not operate the motor faster than the speed needed. Do not run the motor at high speed when not clearing snow.
26. Always stop the motor when clearing snow is delayed or when walking from one location to another.
27. Disengage power to the auger when snow thrower is transported or not in use.
28. After striking a foreign object, turn the unit off and inspect the snow thrower for damage. Unplug the unit. Repair damage before restarting and operating the unit.
29. If the unit should start to vibrate abnormally, stop the unit and check immediately for the cause. Vibration is generally a warning of trouble.
30. Stop the motor and unplug the unit whenever you leave the operating position, before unclogging the auger, and when making any repairs, adjustments, or inspections.
31. Never discharge snow onto public roads or near moving traffic.
32. Let the snow thrower run for a few minutes after clearing snow so moving parts do not freeze.
33. Use only original equipment manufacturer replacement parts and accessories for this unit. These are available from your authorized service dealer. Use of any unauthorized parts or accessories could lead to serious injury to the user or damage to the unit, and void your warranty.

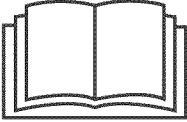


Other Safety Warnings

1. Be sure to secure the unit while transporting.
2. Store the unit in a dry area, locked up or up high to prevent unauthorized use or damage, out of the reach of children.
3. Never douse or squirt the unit with water or any other liquid. Keep handles dry, clean and free from debris. Clean after each use, see Cleaning and Storage instructions.
4. If the labels on the unit become defaced or start lifting off, contact your authorized service dealer.
5. Keep these instructions. Refer to them often and use them to instruct other users. If you loan someone this unit, also loan them these instructions.
6. Maintain snow throwers with care. Follow instructions for lubricating and changing accessories.

SAVE THESE INSTRUCTIONS

Safety Symbols

This page depicts and describes safety symbols that may appear on this product. Read, understand, and follow all instructions on the machine before attempting to assemble and operate.

Symbol	Description
	<p>READ THE OPERATOR'S MANUAL(S) Read, understand, and follow all instructions in the manual(s) before attempting to assemble and operate.</p>
	<p>WARNING— ROTATING BLADES Keep hands out of inlet and discharge openings while machine is running. There are rotating blades inside.</p>
	<p>WARNING— ROTATING AUGER Do not put hands or feet near rotating parts, in the auger/impeller housing or chute assembly. Contact with the rotating parts can amputate hands and feet.</p>



WARNING: Your Responsibility—Restrict the use of this power machine to persons who read, understand and follow the warnings and instructions in this manual and on the machine.

SAVE THESE INSTRUCTIONS!

Contents of Carton

- One Electric Snow Thrower
- One Chute Assembly
- One Upper Handle
- One Electric Snow Thrower Operator's Manual
- One Mid Handle
- One Product Registration Card

NOTE: All references to the left and right side of the snow thrower are from the operator's position behind the snow thrower.

Tools Required for Assembly

- Phillips Head Screwdriver

Unpacking the Unit

1. Cut the corners of the carton and lay the sides flat on the ground. Remove all packing inserts.
2. Lift the upper handle and mid handle up and off the snow thrower. See Fig. 3-1.

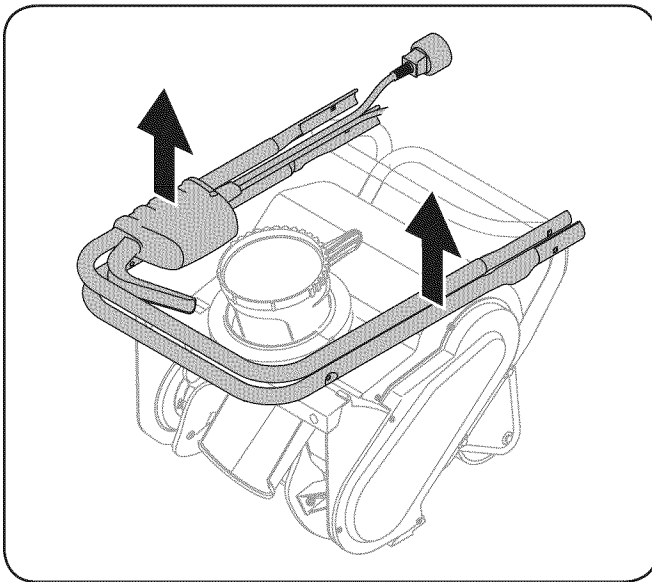


Figure 3-1

3. Make certain the carton has been completely emptied before discarding it.

Handle Assembly

1. Install the strain reliever on the mid handle. See Fig. 3-2.

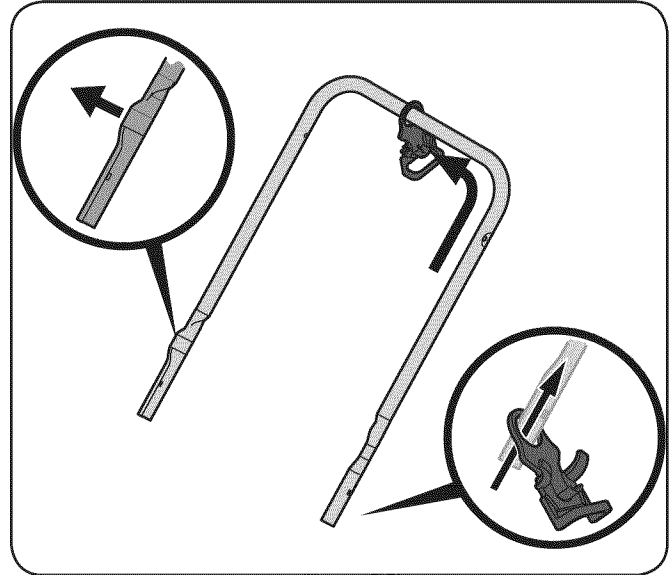


Figure 3-2

NOTE: The flared area on the lower portion of the mid handle must face forward throughout the assembly.

2. Attach the upper handle to the mid handle using one carriage screw and handle knob on each side. See Fig. 3-3.

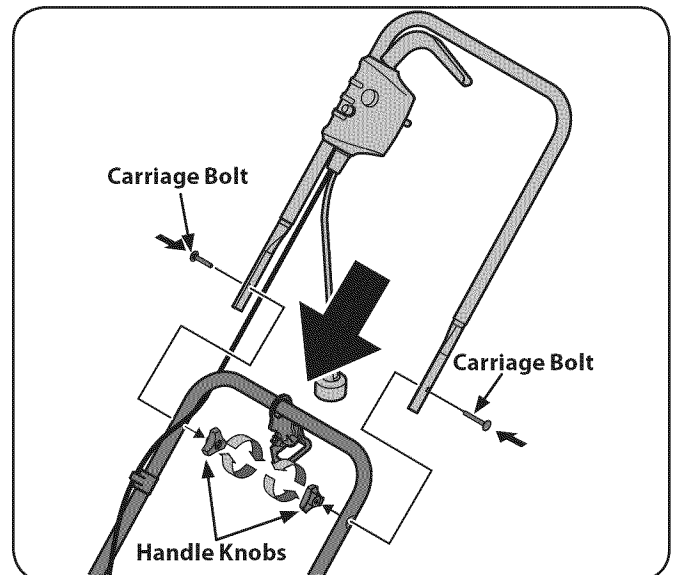


Figure 3-3

NOTE: Make sure the cord is routed behind the handle assembly.

3. Ensure that the cord retainer is on the mid handle's crossbar. Refer to Fig. 3-2.
4. Place the mid and upper handles onto the lower handle. See Fig. 3-4.

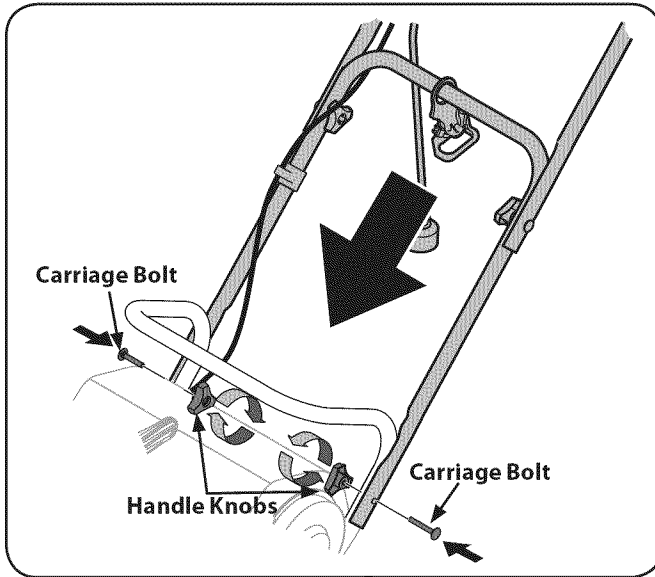


Figure 3-4

5. Insert wing knobs and carriage bolt and tighten to secure upper handle and mid handle to the lower handle. See Fig. 3-4.
6. Secure motor cord to cable guide. See Fig. 3-5.

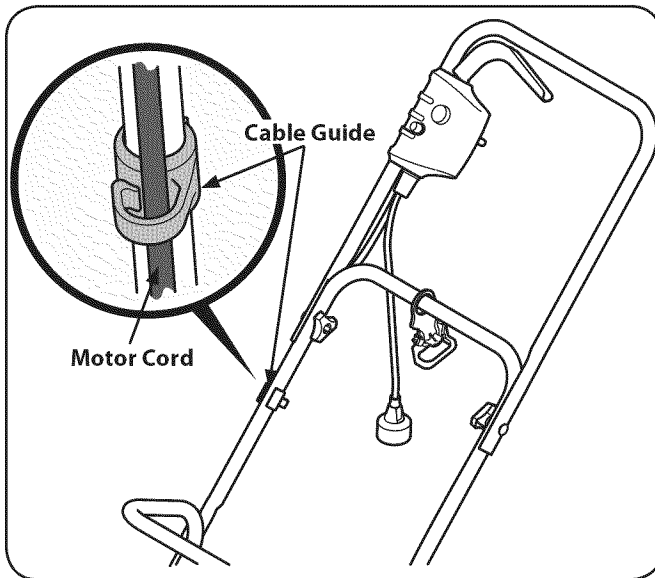


Figure 3-5

NOTE: The motor cord runs behind the upper handle.

Chute Assembly

1. Remove the four screws securing the front cover to the auger housing. Remove the front cover and the chute. See Fig. 3-6.

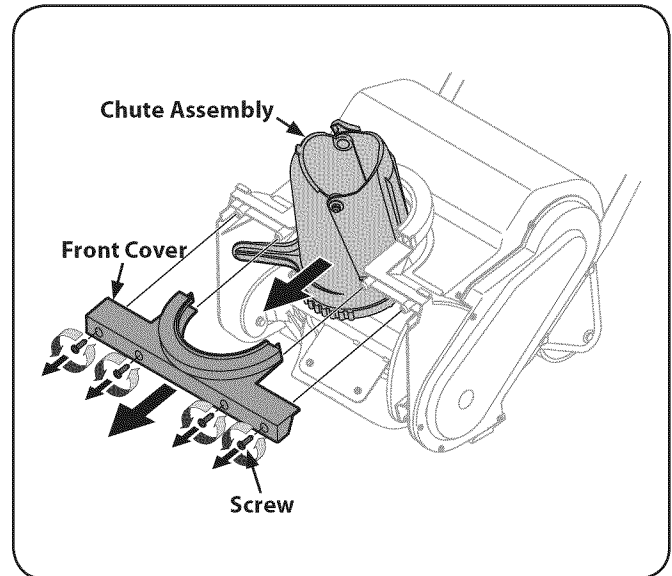


Figure 3-6

2. Remove the wing knob, bell washer and bolt from the left side of the chute. See Fig. 3-7.

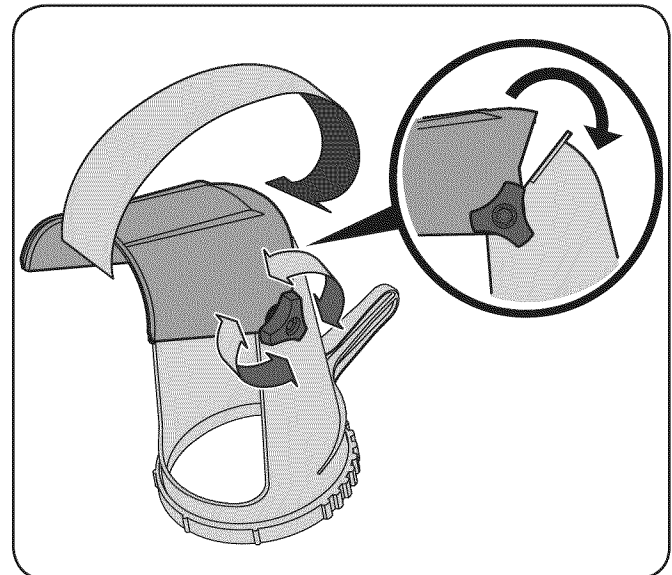


Figure 3-7

3. Pivot the upper chute upwards and over the lip and the top of the lower chute.
4. Reinstall the wing knob, bell washer and bolt.

NOTE: When installing the bell washer the concave (or cupped) side of the washer must be installed facing the in towards the chute.

5. Install the chute in the auger housing with the handle facing towards the rear of the snow thrower. See Fig. 3-8.

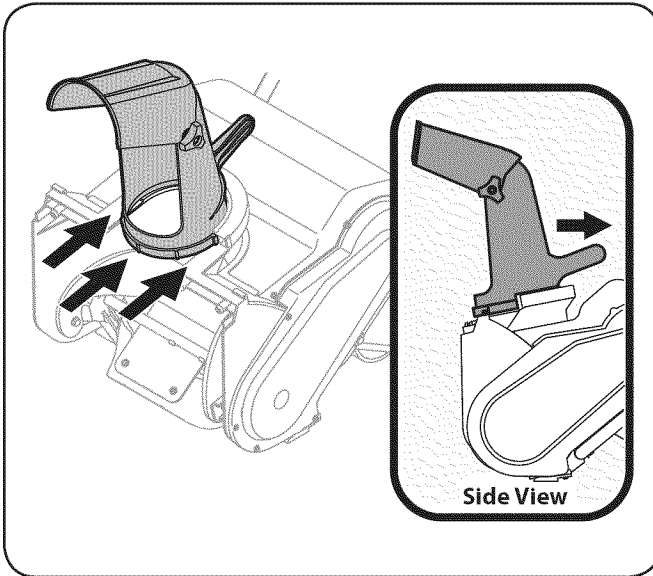


Figure 3-8

6. Re-install the front cover with the four screws removed in step 1. See Fig. 3-9.

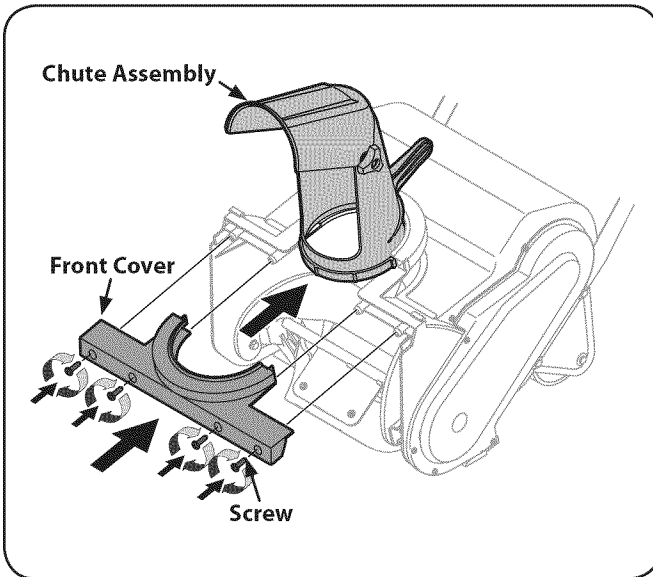


Figure 3-9

Connecting Extension Cord

NOTE: Do not plug your extension cord into the power source receptacle (outlet) prior to routing it through the cord retainer and connecting the extension cord to the snow thrower's power cable.

To properly route your extension cord through the strain reliever:

1. Approximately 14 to 16 inches from its end, crease your extension cord to form a tight loop.
2. Push the loop through the bottom hole in the strain reliever.
3. Position the loop over the clips found on the strain reliever and pull down until the cord fits snugly into the clip. See Fig. 3-10.

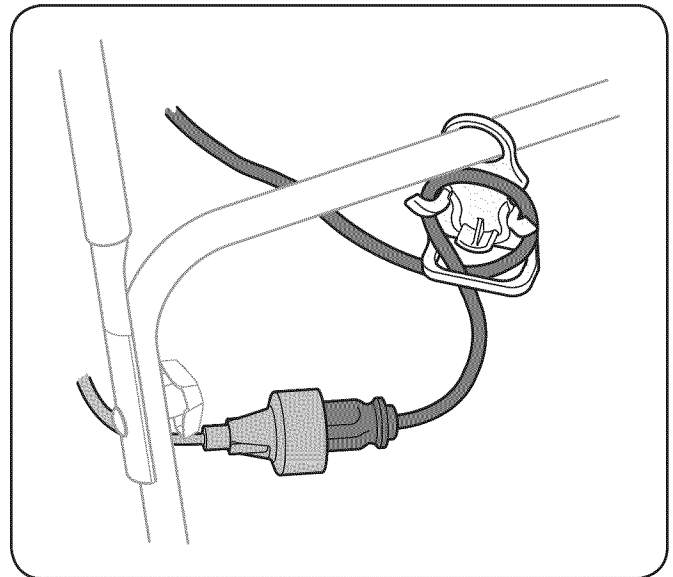


Figure 3-10

NOTE: Use a UL-approved extension cord. A 100-foot, 14-gauge cord is recommended. A 50-foot, 16-gauge cord is acceptable. Refer to the small chart found in Safe Operation Practices.

NOTE: The strain reliever reduces strain on the extension cord so that it does not come unplugged during operation.

4. Plug the snow thrower power cable into the extension cord. See Fig. 3-10.

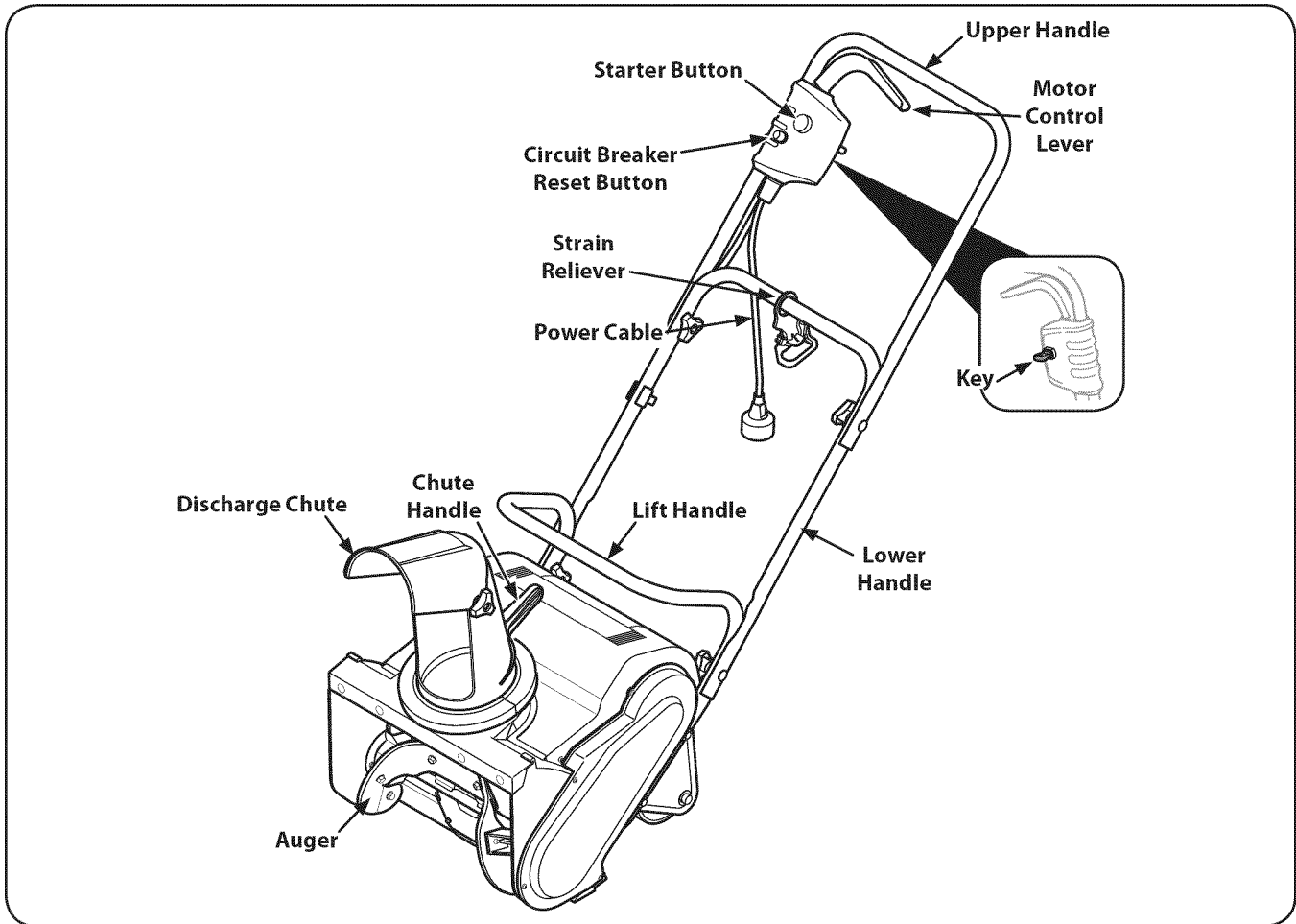


Figure 4-1



WARNING! Read, understand, and follow all instructions and warnings on the machine and in this manual before operating.

Motor Control Lever



WARNING! The motor control lever is a safety device. Never attempt to bypass its operations.

The motor control lever is located on the upper handle. The motor control lever engages and disengages the motor and auger.

Key

The key is a safety device. It must be fully inserted in order for the motor to start. Remove the key when the snow thrower is not in use.

Chute Handle

Rotate the discharge chute left or right using the chute handle.

Strain Reliever

The strain reliever is located on the middle handle of the snow thrower. The strain reliever reduces strain on the extension cord so that it does not come unplugged during operation.

Auger

When engaged, the auger rotation draws snow into the auger housing and throws it out the discharge chute. Rubber paddles on the auger also aid in propelling the snow thrower as they come in contact with the pavement.

Starter Button

The starter button is located on the upper handle of the snow thrower. Engaging the motor control lever with the starter button pressed will start the snow thrower.

Discharge Chute

The pitch of the discharge chute controls the angle at which the snow is thrown. Loosen the wing knob on the side of the discharge chute before pivoting the discharge chute upward or downward. Retighten the knob once the desired position has been achieved.

Circuit Breaker Reset Button

The snow thrower is equipped with an circuit breaker reset button, located on the motor control. This button may pop out when too much strain is placed on the motor. Refer to the Maintenance & Adjustments Section to reset this button.

Starting Motor



WARNING: Avoid accidental starting. Make sure you are in the operating position behind the snow thrower when using it. To avoid serious injury, the operator and unit should be in a stable position while starting.

Connecting to an Electrical Power Source



WARNING: This snow thrower should be operated on a 15 or 20 AMP circuit. If you experience difficulty in starting with a standard 15 AMP fuse or circuit breaker, contact an authorized service dealer. Do not use a higher rated fuse or breaker without consulting your power company.

NOTE: Connect your extension cord to the snow thrower as instructed in the Assembly & Set-Up section prior to plugging your extension cord into an electrical outlet.

1. Plug your extension cord into any convenient (indoor or outdoor) 120-volt, 60 hertz AC outlet or receptacle. Your snow thrower will operate satisfactorily on a circuit with a 15 ampere breaker.
NOTE: To avoid tripping circuit breakers, select an outlet on a circuit that is not overloaded. Do NOT select an outlet that is on a circuit hosting appliances such as a refrigerator.
2. Insert key. Refer to Fig. 5-1.

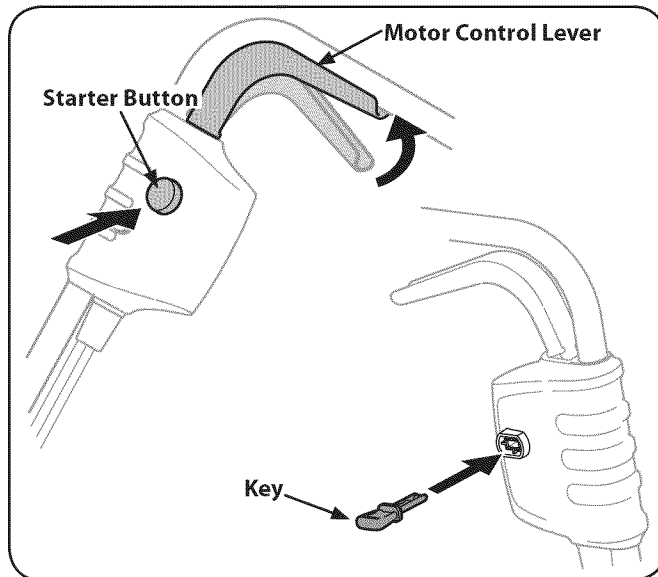


Figure 5-1

3. Stand behind the snow thrower in the operating position.
4. Press the red starter button and hold it in. See Fig. 5-1.
NOTE: Starting the snow thrower's motor also engages the auger.

5. While holding the starter button in, squeeze the motor control lever against the upper handle to start the motor and engage the auger. See Fig. 5-1.

NOTE: The snow thrower's motor will NOT start if you fail to hold the starter button in while pivoting the motor control handle upward.

6. Release the red starter button.

Stopping the Motor



WARNING: The auger continues to rotate for a few seconds after the motor is shut off. If motor does not come to a stop when the motor control handle is released, unplug the snow thrower from the outlet, and contact an authorized service dealer.

Release the motor control lever to stop the motor and auger.

Engaging the Drive

Lift up slightly on the handle to allow the rubber paddles on the auger to contact the pavement and propel the snow thrower forward. Pushing downward on the handle will raise the auger off the ground and stop the forward motion.

NOTE: Excessive upward pressure on the handle will result in premature wear on the rubber auger blades which are not covered by the warranty.

Adjusting the Chute Assembly

The pitch of the chute assembly controls the angle at which the snow is thrown.

1. Loosen the wing knob found on the left side of the chute assembly and pivot the upper chute upward or downward to the desired pitch. Retighten the wing knob before operating the snow thrower. See Fig. 5-2.

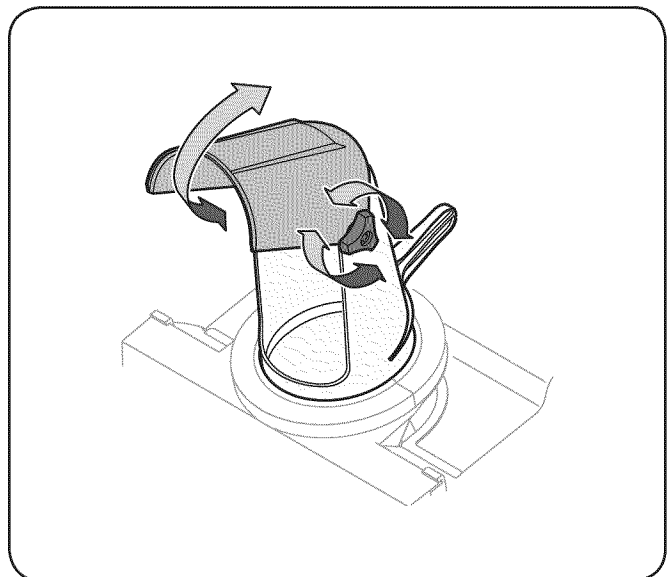


Figure 5-2

2. Position the chute assembly opening by using the chute handle to throw the snow in the desired direction. See Fig. 5-3.

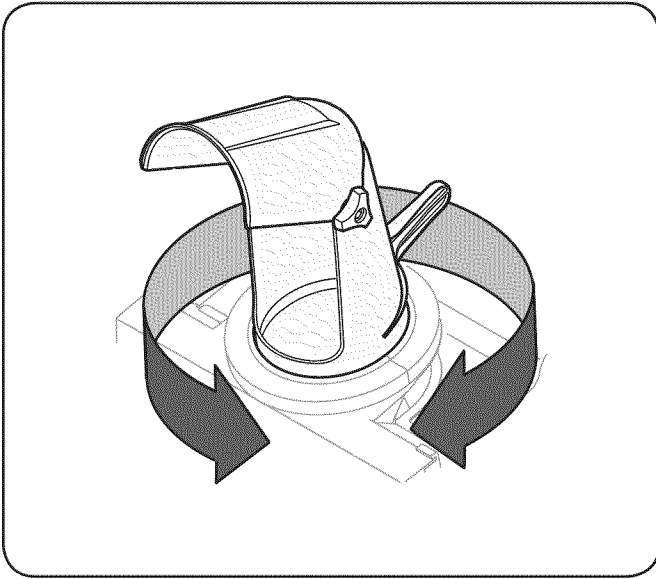


Figure 5-3

Clearing a Clogged Discharge Chute



WARNING! Never use your hands to clear a clogged chute assembly. Shut off motor, disconnect power cord, and remain behind handle until all moving parts have stopped before using a clean-out tool or stick to clear the chute assembly.

Hand contact with the rotating auger inside the discharge chute is the most common cause of injury associated with snow throwers. Never use your hand to clean out the discharge chute.

To clear the chute:

1. SHUT THE MOTOR OFF AND DISCONNECT POWER CORD!
2. Wait 10 seconds to be sure the auger has stopped rotating.
3. Always use a clean-out tool or stick, not your hands.

Resetting Circuit Breaker

This snow thrower is equipped with a circuit breaker to prevent overheating damage to the motor.

If the circuit breaker reset button pops out:

1. Release the motor control lever and do NOT restart the snow thrower for at least one minute, allowing the electric motor time to cool.
2. Press the circuit breaker reset button (located on the switch assembly) inward to reset. See Fig. 6-1.

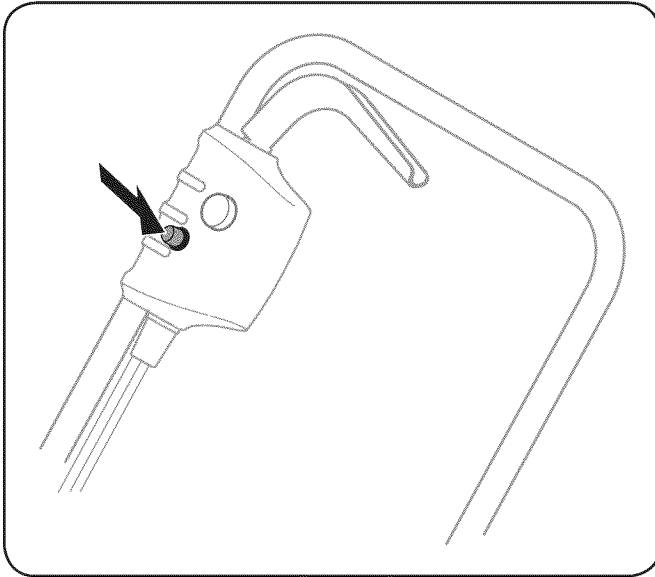


Figure 6-1

Maintenance

Lubrication

Lubricate the pivot points on the motor control lever with a light oil once every season and before the snow thrower is put into storage at the end of the season.

Off-Season Storage

If the snow thrower will not be used for 30 days or longer, follow the instructions below.

- Clean and lubricate snow thrower thoroughly as described in the lubrication instructions.
- We do not recommend the use of a pressure washer or garden hose to clean your unit.
- Make certain the power supply is disconnected.
- Store snow thrower in a dry, clean area. Do not store next to corrosive materials, such as fertilizer.
- Wipe extension cord to remove any foreign substance such as oil or stains. Replace extension cord if cut or damaged in any way.
- Wind cord in a series of equal loops on each side of your hand to prevent snarling.



WARNING: Unplug the snow thrower and remove the key to avoid unintended starting before servicing the snow thrower.

Replacing Skid Plate

1. Remove the three screws securing the skid plate to the auger housing. See Fig. 7-1.

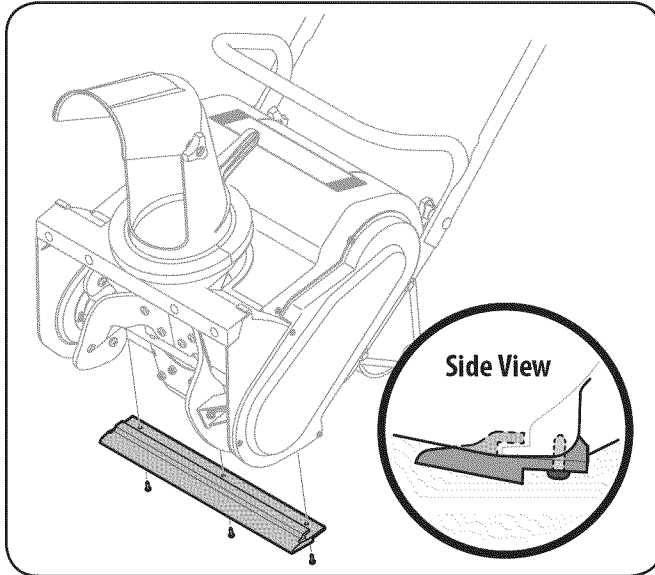


Figure 7-1

2. Remove the worn skid plate and replace with a factory approved skid plate.
3. Secure using the three screws removed earlier.

Replacing Auger Belt

1. Unscrew the six screws securing the belt cover to the auger housing and remove the belt cover. See Fig. 7-2.

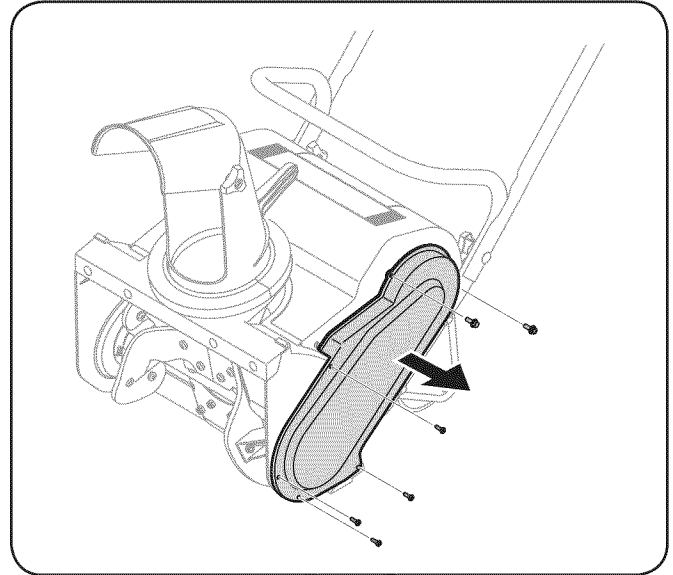


Figure 7-2

2. Pull the idler bracket upward to relieve tension on the belt. See Fig. 7-3.



CAUTION: Do not unhook the idler extension spring. Doing so may allow the spring to become dislodged and lost in the auger housing.

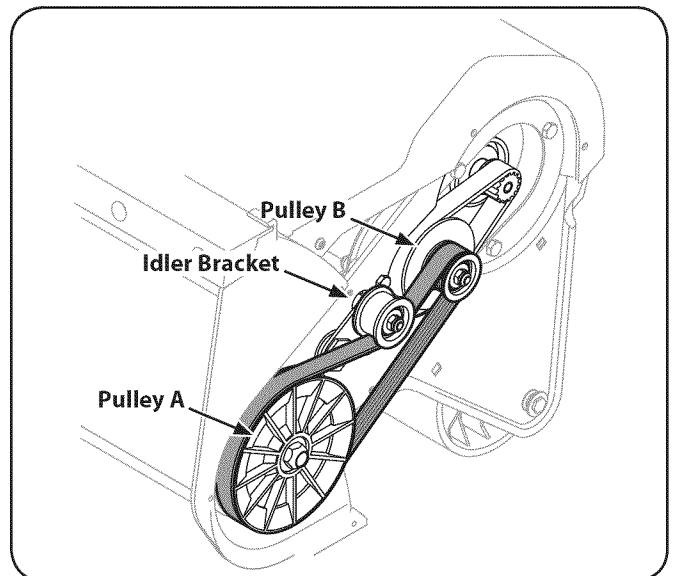


Figure 7-3

3. Pull the belt off Pulley B.
4. Replace in the opposite order.

Replacing Cogged Belt

See your authorized service dealer to have the cogged belt replaced or phone Customer Support as instructed on page 2 for information on ordering a Service Manual.

Replacing Auger Paddles

The snow thrower auger's rubber paddles are subject to wear and should be replaced if any signs of excessive wear are present.

1. Remove the existing rubber paddles by unthreading the hex washer screws that secure them to the auger. See Fig. 7-4.

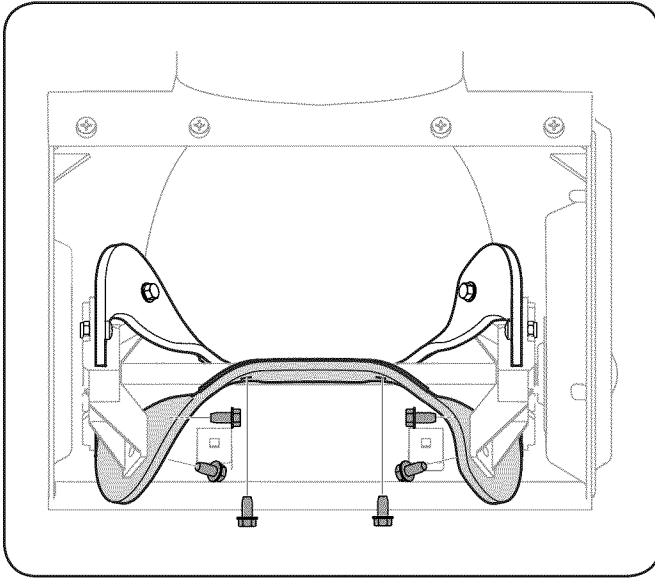


Figure 7-4

2. Secure the replacement rubber paddles to the auger using the hardware removed earlier.

Replacing Wheels

1. Unscrew the screws on each side of the wheel shaft. See Fig. 7-5.

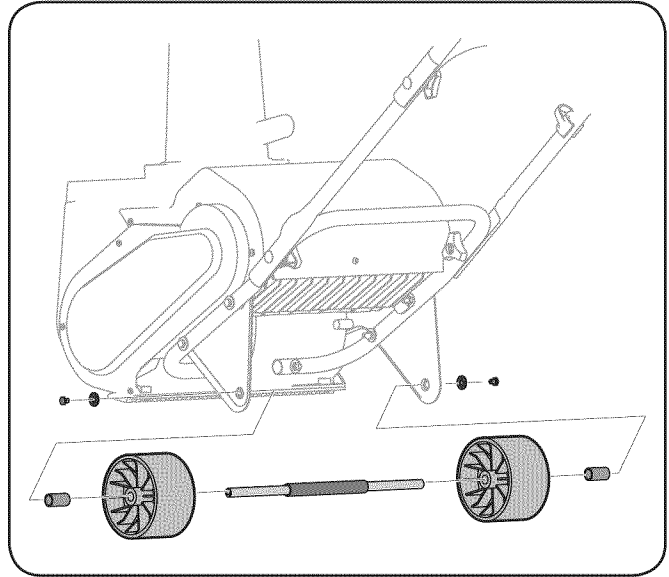

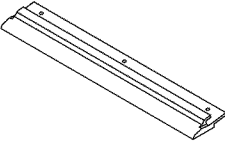
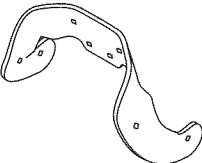
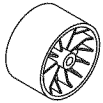


Figure 7-5

NOTE: It may help to use a clamp to hold the wheel shaft in place while removing the screws.

2. Replace the roller wheels with the hardware removed earlier.

Problem	Cause	Remedy
Snow thrower fails to start	<ol style="list-style-type: none"> 1. Key not in place 1. Cord disconnected from the motor control. 2. Motor control defective. 3. Extension cord not connected to the plug on the snow thrower. 4. Extension cord not connected to a source of power. 5. Circuit breaker reset button on the snow thrower or circuit breaker in the house receptacle tripped. 	<ol style="list-style-type: none"> 1. Insert key 2. Reconnect the cord keeping the cord restraint close to the motor control. 3. Replace motor control. 4. Connect the extension cord to the plug on the snow thrower. 5. Connect the extension cord to a 110-120 volt, 60 hertz AC receptacle. 6. Reset the circuit breaker reset button following instructions in the Maintenance & Adjustments section of this manual.
Circuit breaker on the snow thrower tripping	<ol style="list-style-type: none"> 1. Too much workload on the snow thrower. 2. Fuse blown; outlet overloaded. 	<ol style="list-style-type: none"> 1. Reset the circuit breaker on the snow thrower, take a smaller width of cut, and walk slowly. 2. Connect to an outlet that is fused for 15 or 20 amperes. Reset the circuit breaker and start the snow thrower again.
Unit fails to discharge snow	<ol style="list-style-type: none"> 1. Chute assembly clogged. 2. Foreign object lodged in auger. 3. Auger belt loose or damaged. 	<ol style="list-style-type: none"> 1. Stop motor and unplug power cord. Clean chute and inside of auger housing with clean-out tool or stick. 2. Stop motor immediately and unplug power cord. Remove object from auger. 3. Replace auger belt.
Snow thrower vibrating at higher speed	<ol style="list-style-type: none"> 1. Bent motor shaft or damaged auger. 	<ol style="list-style-type: none"> 1. Stop the motor, disconnect the power source and inspect for damage. Have repaired by an authorized service dealer.
Cord disconnects frequently	<ol style="list-style-type: none"> 1. Extension cord is not properly attached to the cord restraint. 2. Old, worn, or loose extension cord. 	<ol style="list-style-type: none"> 1. Reconnect the extension cord to the cord restraint on the guide rod. 2. Replace extension cord.
Snow thrower fails to self-propel	<ol style="list-style-type: none"> 1. Auger control cable out of adjustment. 2. Auger drive belt loose or damaged. 	<ol style="list-style-type: none"> 1. Adjust auger control cable as shown in Maintenance & Adjustments section. 2. Replace auger drive belt.
Loss of power	<ol style="list-style-type: none"> 1. Cord disconnected from the motor control. 	<ol style="list-style-type: none"> 1. Reconnect the cord to the motor control.

Component	Part Number and Description
	754-04281A Auger Belt
	731-07640 Scraper Blade
	735-04273 Rubber Auger
	731-07636 Roller Wheel

Phone (800) 800-7310 to order replacement parts or a complete Parts Manual (have your full model number and serial number ready).
 Parts Manual downloads are also available free of charge at www.mtdproducts.com.

MANUFACTURER'S LIMITED WARRANTY FOR



The limited warranty set forth below is given by MTD LLC with respect to new merchandise purchased and used in the United States and/or its territories and possessions, and by MTD Products Limited with respect to new merchandise purchased and used in Canada and/or its territories and possessions (either entity respectively, "MTD").

"MTD" warrants this product (excluding its *Normal Wear Parts and Attachments* as described below) against defects in material and workmanship for a period of two (2) years commencing on the date of original purchase and will, at its option, repair or replace, free of charge, any part found to be defective in materials or workmanship. This limited warranty shall only apply if this product has been operated and maintained in accordance with the Operator's Manual furnished with the product, and has not been subject to misuse, abuse, commercial use, neglect, accident, improper maintenance, alteration, vandalism, theft, fire, water, or damage because of other peril or natural disaster. Damage resulting from the installation or use of any part, accessory or attachment not approved by MTD for use with the product(s) covered by this manual will void your warranty as to any resulting damage.

Normal Wear Parts are warranted to be free from defects in material and workmanship for a period of thirty (30) days from the date of purchase. Normal wear parts include, but are not limited to items such as: batteries, belts, blades, blade adapters, tines, grass bags, wheels, rider deck wheels, seats, snow thrower skid shoes, friction wheels, shave plates, auger spiral rubber, engine oil, air filters, spark plugs and tires.

Attachments — MTD warrants attachments for this product against defects in material and workmanship for a period of one (1) year, commencing on the date of the attachment's original purchase or lease. Attachments include, but are not limited to items such as: grass collectors and mulch kits.

HOW TO OBTAIN PARTS AND SERVICE: Warranty service is available, WITH PROOF OF PURCHASE, through your local authorized service dealer. To locate the dealer in your area:

In the U.S.A.

Check your Yellow Pages, or contact MTD LLC at P.O. Box 361131, Cleveland, Ohio 44136-0019, or call 1-800-800-7310, 1-330-220-4683 or log on to our Web site at www.mtdproducts.com.

In Canada

Contact MTD Products Limited, Kitchener, ON N2G 4J1, or call 1-800-668-1238 or log on to our Web site at www.mtdcanada.com.

This limited warranty does **not** provide coverage in the following cases:

- a. Log splitter pumps, valves, and cylinders have a separate one-year warranty.
- b. Routine maintenance items such as lubricants, filters, blade sharpening, tune-ups, brake adjustments, clutch adjustments, deck adjustments, and normal deterioration of the exterior finish due to use or exposure.

- c. Service completed by someone other than an authorized service dealer.
- d. MTD does not extend any warranty for products sold or exported outside of the United States and/or Canada, and their respective possessions and territories, except those sold through MTD's authorized channels of export distribution.
- e. Replacement parts that are not genuine MTD parts.
- f. Transportation charges and service calls.
- g. MTD does not warrant this product for commercial use.

No implied warranty, including any implied warranty of merchantability or fitness for a particular purpose, applies after the applicable period of express written warranty above as to the parts as identified. No other express warranty, whether written or oral, except as mentioned above, given by any person or entity, including a dealer or retailer, with respect to any product, shall bind MTD. During the period of the warranty, the exclusive remedy is repair or replacement of the product as set forth above.

The provisions as set forth in this warranty provide the sole and exclusive remedy arising from the sale. MTD shall not be liable for incidental or consequential loss or damage including, without limitation, expenses incurred for substitute or replacement lawn care services or for rental expenses to temporarily replace a warranted product.

Some states do not allow the exclusion or limitation of incidental or consequential damages, or limitations on how long an implied warranty lasts, so the above exclusions or limitations may not apply to you.

In no event shall recovery of any kind be greater than the amount of the purchase price of the product sold. **Alteration of safety features of the product shall void this warranty.** You assume the risk and liability for loss, damage, or injury to you and your property and/or to others and their property arising out of the misuse or inability to use the product.

This limited warranty shall not extend to anyone other than the original purchaser or to the person for whom it was purchased as a gift.

HOW STATE LAW RELATES TO THIS WARRANTY: This limited warranty gives you specific legal rights, and you may also have other rights which vary from state to state.

IMPORTANT: Owner must present Original Proof of Purchase to obtain warranty coverage.

**MTD LLC, P.O. BOX 361131 CLEVELAND, OHIO 44136-0019; Phone: 1-800-800-7310, 1-330-220-4683
MTD Canada Limited - KITCHENER, ON N2G 4J1; Phone 1-800-668-1238**