

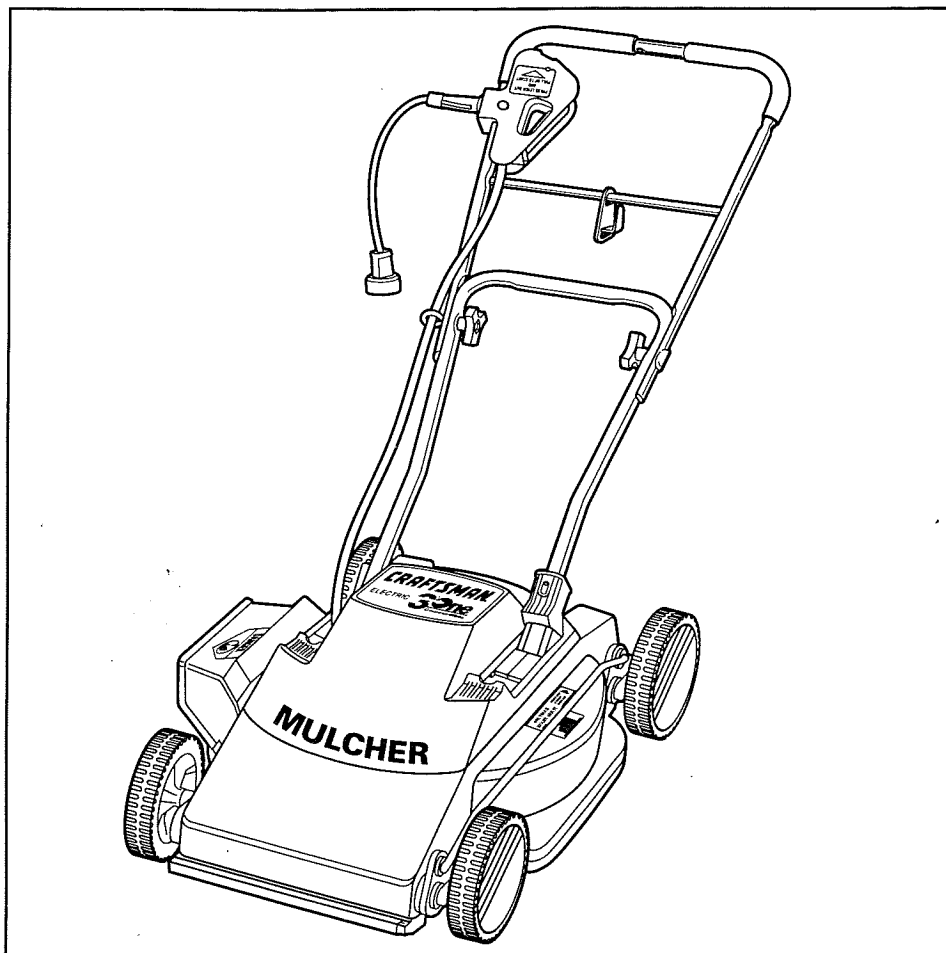
SEARS

INSTRUCTION MANUAL

MODEL NO.
900.370260

CAUTION:

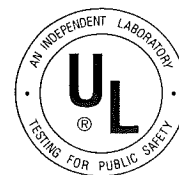
Read and Follow
all Safety Rules
and Instructions
Before Operating
This Equipment



CRAFTSMAN[®]

18" DOUBLE INSULATED ELECTRIC 3-IN-1 CONVERTIBLE MULCHING LAWN MOWER

Assembly
Operation
Customer Responsibilities
Service and Adjustment
Repair Parts



158756-00

SEARS, ROEBUCK AND Co., Chicago, IL 60684 U.S.A.



IMPORTANT SAFETY RULES

WARNING: When using Electric Tools, basic safety precautions should always be followed to reduce the risk of fire, electric shock, and personal injury, including the following:



IMPORTANT

FEDERAL REGULATIONS REQUIRE OPERATOR PRESENCE BLADE STOP CONTROLS TO MINIMIZE THE RISK OF BLADE CONTACT INJURY. YOUR MOWER IS EQUIPPED WITH SUCH CONTROLS. DO NOT ATTEMPT TO DEFEAT THE FUNCTION OF THE OPERATOR PRESENCE CONTROL UNDER ANY CIRCUMSTANCES.

- **KNOW YOUR MOWER** - Read the manual carefully. Be thoroughly familiar with the controls and the proper use of your mower.
- **AVOID DANGEROUS ENVIRONMENT** - Don't use your mower in the rain or in damp or wet locations. Don't operate it in gaseous or explosive atmospheres. Motors normally spark and the sparks might ignite fumes.
- **USE PROTECTIVE EQUIPMENT** - Wear safety spectacles or goggles while mowing (regular eyeglasses are not safety glasses). Use face or dust mask if operation is dusty. Safety spectacles are available at your Sears dealer.
- **KEEP GUARDS AND SHIELDS IN PLACE** - and keep in working order.
- **GUARD AGAINST ELECTRIC SHOCK** - Repair or replace damaged mower cord or extension cords immediately. To prevent disconnection of mower cord from the extension cord during use, thread the cord through the cord control hanger, as shown in Figure 10.
- **DANGER: KEEP AWAY FROM BLADE AREA** - Risk of cut - Keep hands and feet away from blade. Don't attempt to remove cut material or unclog chute when blade is moving.
- **DISCONNECT TOOL** - Release switch lever to turn off mower and unplug cord from receptacle or extension cord when tool is not in use, before making adjustments, before servicing, cleaning and when changing blade.
- **KEEP CHILDREN AWAY** - All visitors should be kept a safe distance from work area.
- **STORE IDLE LAWN MOWER INDOORS** - When not in use, tool should be stored indoors in a dry place, locked-up - out of reach of children.
- **DON'T FORCE THE MOWER** - It will do the job better and safer at the rate for which it was designed.
- **USE RIGHT TOOL** - Do not use tool for any job except that for which it is intended.
- **DRESS PROPERLY** - Do not wear loose clothing or jewelry. They can be caught in moving parts. Use of substantial rubber soled footwear is recommended.
- **DON'T ABUSE CORD** - Never carry tool by cord or yank it to disconnect from receptacle. Keep cord from heat, oil and sharp edges.
- **WARNING** - To reduce the risk of electric shock hazard use only with an extension cord suitable for outdoor use. Always connect extension cords to a fused line or one protected by a circuit breaker.
- **DON'T OVERREACH** - Keep proper footing and balance at all times.
- **MAINTAIN TOOLS WITH CARE** - Keep blade sharp and clean for best and safest performance. Follow instructions for lubricating and changing accessories.
- **AVOID ACCIDENTAL STARTING** - Be sure switch is off when plugging in.
- **OBJECTS STRUCK BY THE LAWN MOWER BLADE** can cause severe injuries to persons. The lawn should always be carefully examined and cleared of all objects prior to each mowing.
- **IF MOWER STRIKES A FOREIGN OBJECT** follow these steps: (a) Release switch lever to turn off mower, (b) Unplug power cord, (c) Inspect for damage, (d) Repair any damage before restarting and operating the mower.
- **USE IDENTICAL REPLACEMENT BLADES ONLY.**
- **WHEN SERVICING** - Use only identical replacement parts.
- **READ THIS INSTRUCTION MANUAL CAREFULLY.** Be thoroughly familiar with the controls and the proper use of the equipment.
- **NEVER ALLOW CHILDREN TO OPERATE A POWER MOWER.**
- **KEEP THE AREA OF OPERATION CLEAR** of all persons, particularly small children and pets.
- **THOROUGHLY INSPECT THE AREA** where the equipment is to be used and remove all stones, sticks, wires, bones, and other foreign objects that could be thrown by the blade.
- **DO NOT OPERATE THE EQUIPMENT WHEN BAREFOOT OR WEARING OPEN SANDALS.** Always wear substantial footwear.
- **NEVER ATTEMPT TO MAKE A WHEEL HEIGHT ADJUSTMENT WHILE THE MOTOR IS RUNNING** or while the mower is plugged in.
- **MOW ONLY IN DAYLIGHT OR IN GOOD ARTIFICIAL LIGHT.**
- **NEVER OPERATE THE EQUIPMENT IN WET GRASS.** Always be sure of your footing; keep a firm hold on the handle and walk; never run.
- **DO NOT PUT HANDS OR FEET NEAR OR UNDER ROTATING PARTS.** Keep clear of the discharge opening at all times.
- **RELEASE SWITCH LEVER TO TURN MOWER OFF** when crossing gravel drives, walks or roads.
- **IF THE MOWER STALLS,** be sure to release switch lever to turn mower off and unplug the cord and wait for the blade to come to a full stop before attempting to unclog the chute or remove anything from under the deck.
- **AFTER STRIKING A FOREIGN OBJECT,** release switch lever to turn mower off and unplug the mower, thoroughly inspect the mower for any damage and repair the damage before restarting and operating the mower.
- **IF THE EQUIPMENT SHOULD START TO VIBRATE ABNORMALLY** release switch lever, unplug the mower and check immediately for the cause. Vibration is generally a warning of trouble.
- **RELEASE SWITCH LEVER** to turn mower off and unplug the mower and wait for the blade to come to a full stop whenever you leave the equipment, before unclogging the deck or chute, or cleaning the mower housing, and when making any repairs or inspections.
- **WHEN CLEANING, REPAIRING, OR INSPECTING,** make certain the blade and all moving parts have stopped.
- **SHUT THE MOTOR OFF AND WAIT UNTIL THE BLADE COMES TO A COMPLETE STOP** before removing the grass catcher or unclogging chute.
- **MOW ACROSS THE FACE OF SLOPES; NEVER UP AND DOWN.** Exercise extreme caution when changing direction on slopes. Do not mow excessively steep slopes.
- **NEVER OPERATE THE MOWER** without proper guards, plates, or other safety protective devices in place.
- **EXERCISE CAUTION** Use extreme caution when backing up with the mower.



LOOK FOR THIS SYMBOL TO POINT OUT IMPORTANT SAFETY PRECAUTIONS. IT MEANS – ATTENTION!!! BECOME ALERT!!! YOUR SAFETY IS INVOLVED.

CONGRATULATIONS on your purchase of a Sears Craftsman Lawn Mower. It has been designed, engineered and manufactured to give you the best possible dependability and performance.

Should you experience any problem you cannot easily remedy, please contact your nearest Sears Service Center/Department. We have competent, well-trained technicians and the proper tools to service or repair this unit.

Please read and retain this manual. The instructions will enable you to assemble and maintain your mower properly. Always observe the "SAFETY RULES".

MODEL
NUMBER 900.370260

DATE OF
PURCHASE _____

THE MODEL NUMBER WILL BE FOUND ON A DECAL ATTACHED TO THE REAR OF THE MOWER HOUSING.

YOU SHOULD RECORD THE DATE OF PURCHASE AND KEEP THIS INFORMATION IN A SAFE PLACE FOR FUTURE REFERENCE.

MAINTENANCE AGREEMENT

A Sears Maintenance Agreement is available on this product. Contact your nearest Sears store for details.

CUSTOMER RESPONSIBILITIES

- Read and observe the safety rules.
- Follow a regular schedule in maintaining, caring for and using your mower.
- Follow the instructions under "Customer Responsibilities" and "Storage" sections of this instruction manual.

PRODUCT SPECIFICATIONS

RATED AMPS:	9.0
RATED VOLTS:	120 VAC
BLADE NUT TORQUE:	25-35 ft. lbs.

ONE YEAR LIMITED WARRANTY ON CRAFTSMAN POWER MOWER

For one year from date of purchase, when this Craftsman Lawn Mower is maintained according to the instructions in the instruction manual, Sears will repair, free of charge, any defect in material and workmanship.

If this Craftsman Lawn Mower is used for commercial or rental purposes, this warranty applies for only 90 days from the date of purchase.

This warranty does not cover:

- Expendable items which become worn during normal use such as the mower blade.
- Repairs necessary because of operator abuse or negligence including the failure to maintain the equipment according to the instructions contained in the instruction manual.

WARRANTY SERVICE IS AVAILABLE BY RETURNING YOUR CRAFTSMAN POWER MOWER TO THE NEAREST SEARS SERVICE CENTER/DEPARTMENT IN THE UNITED STATES. THIS WARRANTY APPLIES ONLY WHILE THE PRODUCT IS IN USE IN THE UNITED STATES.

This warranty gives you specific legal rights and you may also have other rights which vary from state to state.

SEARS, ROEBUCK AND CO. Department D/731CR-W Sears Tower, Chicago, Ill. 60684

TABLE OF CONTENTS

SAFETY RULES	2	OPERATION.....	6, 7, 8, 9
PRODUCT SPECIFICATIONS.....	3	SERVICE AND ADJUSTMENTS.....	10, 11
CUSTOMER RESPONSIBILITIES.....	3, 10	STORAGE	11
WARRANTY	3	REPAIR PARTS.....	12, 13
TABLE OF CONTENTS.....	4	PARTS ORDERING/SERVICE	16
INDEX	4		
ASSEMBLY	5		

INDEX

<p>A</p> <p>Adjustments:</p> <p style="padding-left: 20px;">Height of Cut.....8</p> <p style="padding-left: 20px;">Wheel Adjusters.....8</p> <p>Assembly:</p> <p style="padding-left: 20px;">Grass Catcher.....5</p> <p style="padding-left: 20px;">Handle.....5</p> <p>B</p> <p>Blade:</p> <p style="padding-left: 20px;">Replacement.....9, 10</p> <p style="padding-left: 20px;">Sharpening.....9</p> <p>C</p> <p>Cleaning.....11</p> <p>Customer Responsibilities.....3</p> <p>Cutting Levels.....8</p> <p>E</p> <p>Extension Cords.....7, 8, 9</p> <p>G</p> <p>Grass Catcher Assembly.....5</p> <p>H</p> <p>Handle:</p> <p style="padding-left: 20px;">Assembly.....5</p> <p style="padding-left: 20px;">Knobs.....5</p> <p style="padding-left: 20px;">Removal.....11</p> <p>I</p> <p>Index.....4</p>	<p>L</p> <p>Lubrication.....10</p> <p>M</p> <p>Maintenance:</p> <p style="padding-left: 20px;">Agreement.....3</p> <p style="padding-left: 20px;">Blade Care/Replacement.....9, 10</p> <p style="padding-left: 20px;">Lubrication.....10</p> <p style="padding-left: 20px;">Mowing Tips.....8, 9</p> <p style="padding-left: 20px;">Mulching.....9</p> <p>O</p> <p>Operation.....6, 7, 8, 9</p> <p>R</p> <p>Repair/Replacement Parts.....12, 13</p> <p style="padding-left: 20px;">How to Order.....16</p> <p>Responsibilities, Customer.....3, 10</p> <p>S</p> <p>Safety Rules.....2</p> <p>Safety Shield/Discharge Chute.....7, 8</p> <p>Service and Adjustment:</p> <p style="padding-left: 20px;">Blade.....9, 10</p> <p style="padding-left: 20px;">Cutting Level.....8</p> <p>Specifications.....3</p> <p>Storage.....11</p> <p>Switch.....7</p> <p>T</p> <p>Table of Contents.....4</p>	<p>W</p> <p>Warranty.....3</p> <p>Wheels:</p> <p style="padding-left: 20px;">Wheel Adjusters.....8</p>
--	--	---

ASSEMBLY

UNPACKING AND ASSEMBLY

- Your mower carton contains the mower and 1 plastic bag. The bag contains 1 curved head bolt, the two plastic knobs, 3 star washers and the cord strap required for assembly. These parts are shown in Figure 1.

Note: Only 2 star washers are required; the third is a spare.

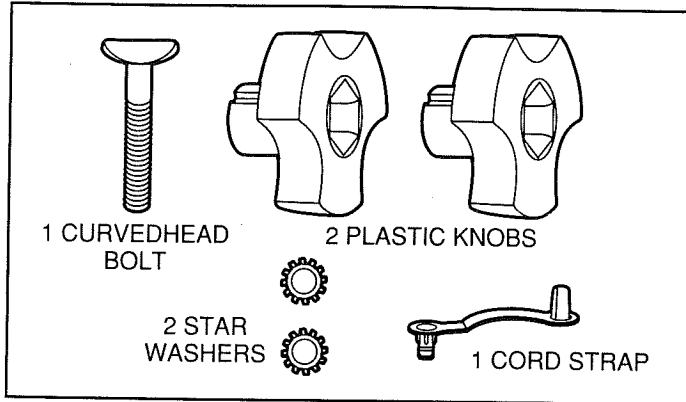


FIGURE 1

- Carefully roll the mower out of the carton and place it on the floor or ground.
- Insert the ends of the lower handle half through the rubber flaps at the sides of the mower shroud, as shown in Figure 2. Under the rubber flaps are steel pins. You may have to manually open the flaps in order to see the pins. Push the handle half firmly against the pins until you feel it snap into place.

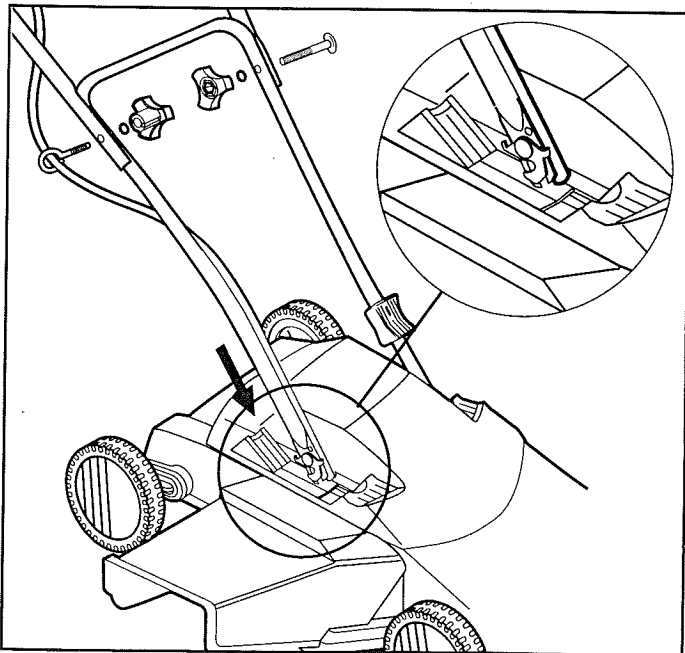


FIGURE 2

- Fasten the upper and lower handle halves together using the eye bolt (already installed on the power cord) and the curvedhead bolt. Install one of the star washers and one of the plastic knobs onto the threaded end of the eye bolt such that the eye portion of the bolt is on the outside of the handle, as shown in Figure 2. Tighten the knob firmly.

Install the curvedhead bolt from the outside of the handle on the other side, as shown in Figure 2. Install the remaining star washer and plastic knob on the threaded end of this bolt. Examine the mower to ensure that both plastic knobs and star washers are on the inside of the handle and the eye bolt is on the outside (on the same side of the mower as the switch) and the head of the curvedhead bolt is on the outside of the handle. Compare closely with Figure 2.

- Use the plastic strap from the bag to hold the power cord against the lower handle half. Just above the mower shroud there is a small hole on the inside surface of the lower handle half. Wrap the plastic strap around the power cord and insert the post into the hole in the handle, as shown in Figure 3. Push firmly and you will feel it snap into place.

NOTE: The use of this strap is very important to prevent the power cord from being trapped between the handle and the mower deck.

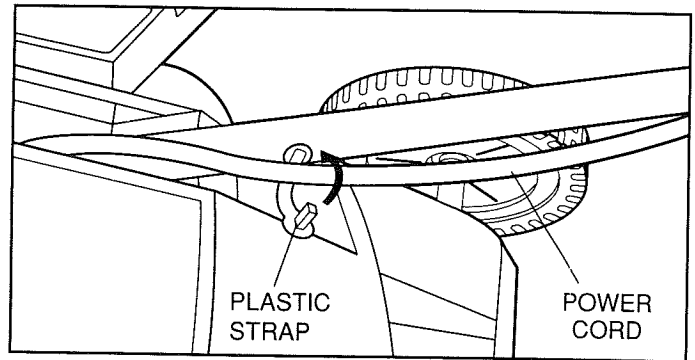


FIGURE 3

GRASS CATCHER ASSEMBLY (OPTIONAL)

For a neat, finished appearance to your lawn, Sears offers a Grass Catcher Assembly (Catalog No. 33089) at extra cost. (See Fig. 4.) The bag captures grass clippings and other light debris for a great looking lawn.

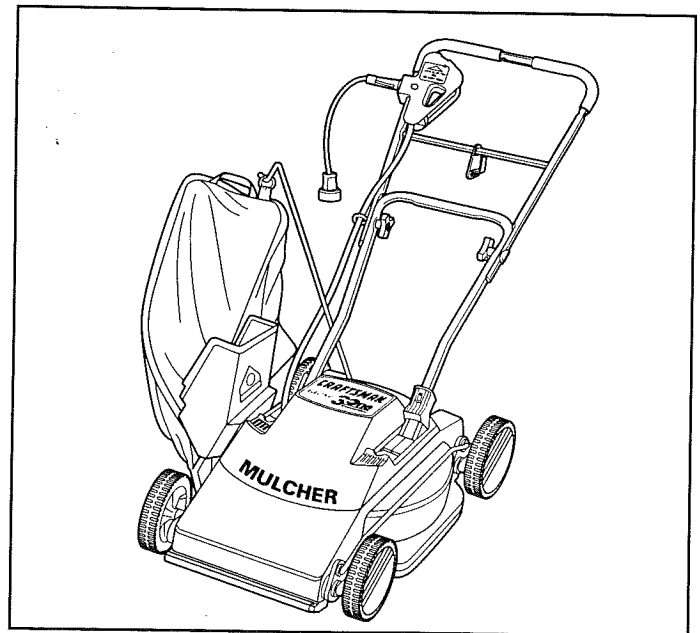
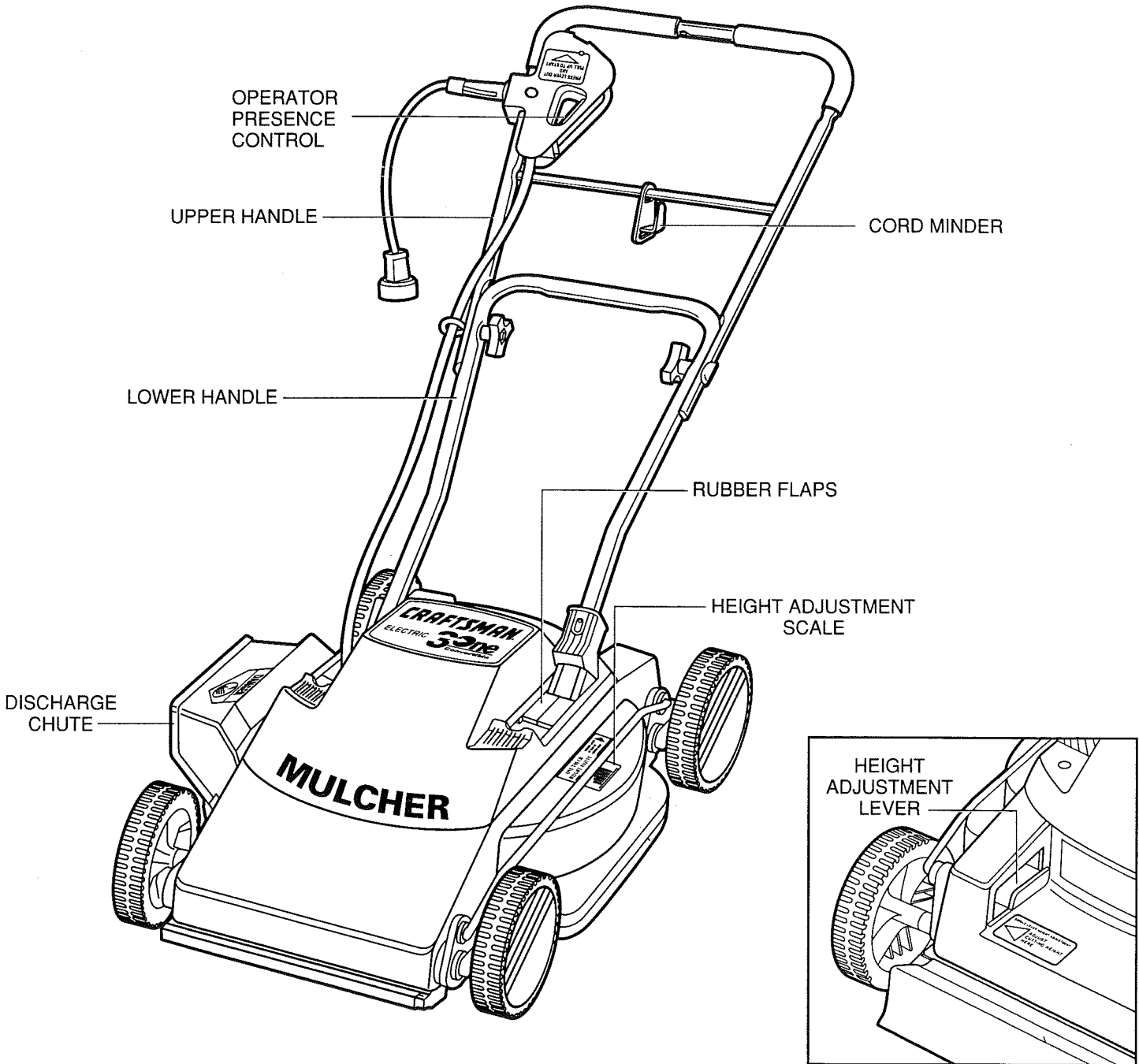


FIGURE 4

OPERATION

KNOW YOUR MOWER

READ THIS INSTRUCTION MANUAL AND SAFETY RULES BEFORE OPERATING YOUR MOWER. Compare the illustrations with your mower to familiarize yourself with the location of various controls and adjustments. Save this manual for future reference.



MEETS CPSC SAFETY REQUIREMENTS

Sears Mowers conform to the safety standards of the American National Standards Institute, and the U.S. Consumer Product Safety Commission. The blade turns when the motor is running.

OPERATION



THE OPERATION OF ANY LAWN MOWER CAN RESULT IN FOREIGN OBJECTS THROWN INTO THE EYES, WHICH CAN RESULT IN SEVERE EYE DAMAGE. ALWAYS WEAR SAFETY GLASSES OR EYE SHIELDS BEFORE STARTING YOUR LAWN MOWER AND WHILE MOWING. WE RECOMMEND WIDE VISION SAFETY MASK FOR OVER THE SPECTACLES OR STANDARD SAFETY GLASSES, AVAILABLE AT SEARS RETAIL OR CATALOG STORES.

DOUBLE INSULATION

Your Mower is DOUBLE INSULATED to give you added safety. This means that it is constructed throughout with TWO separate "layers" of electrical insulation or one DOUBLE thickness of insulation between you and the tool's electrical system.

Tools built with this insulation system are not intended to be grounded. As a result, your mower is equipped with a two-prong plug which permits you to use extension cords without concern for maintaining a ground connection.

NOTE: DOUBLE INSULATION does not take the place of normal safety precautions when operating this mower. The insulation system is for added protection against injury resulting from a possible electrical insulation failure within the tool.



CAUTION: WHEN SERVICING ALL TOOLS, USE ONLY IDENTICAL REPLACEMENT PARTS. REPAIR OR REPLACE DAMAGED CORDS.

Before using an extension cord, inspect in for loose or exposed wires, damaged insulation, and defective fittings. Make any needed repairs or replace the cord if necessary. Sears has extension cords available that are U.L. listed for outdoor use.

OPERATOR PRESENCE CONTROL

Your mower is equipped with a special operator presence control. To operate the control, insert your finger into the opening (A) in Figure 6 and push the lever out so that you can grab it with your other hand. Pull the lever back to turn the unit on and hold it against the mower handle to keep it running. To turn the mower off, just release the lever. The spring loaded "SNAP ACTION" lever will quickly turn the mower off.



CAUTION: NEVER ATTEMPT TO OVERRIDE THE OPERATION OF THIS SWITCH.

EXTENSION CORDS

Double insulated tools have 2 wire cords, and can be used with 2 wire or 3 wire extension cords. Only round jacketed extension cords should be used, and we recommend that they be listed by Underwriters Laboratories (U.L.). If the extension will be used outside, the cord must be suitable for outdoor use. Any cord marked as outdoor can also be used for indoor work. The letters "WA" printed on the cord jacket indicate that the cord is suitable for outdoor use.

An extension cord must have adequate wire size (AWG or American Wire Gauge) for safety, and to prevent loss of power and overheating. The smaller the gauge number of the wire, the greater the capacity of the cable, that is 16 gauge has more capacity than 18 gauge. When using more than one extension to make up the total length, be sure each individual extension contains at least the minimum wire size.

To determine the minimum wire size required, refer to the chart below:

(Refer to your mower's nameplate to find the Ampere Rating)

MINIMUM GAUGE FOR CORD SETS

120 Volts Ampere Rating		Total Length of Cord in Feet			
		25 ft.	50 ft.	100 ft.	150 ft.
More Than	Not More Than	A.W.G.			
0	– 6	18	16	16	14
6	– 10	18	16	14	12
10	– 12	16	16	14	12
12	– 16	14	12	NOT RECOMMENDED	

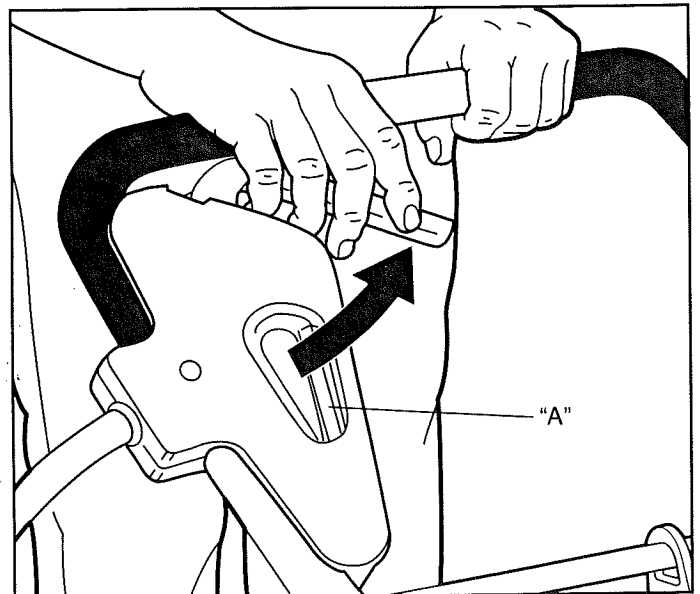


FIGURE 6

SAFETY SHIELD & DISCHARGE CHUTE

This plastic shield (Figure 7) is designed to minimize the throwing of stones or other objects by the mower blade backward from under the mower deck. The shield, along with the discharge chute minimize the possibility of accidental foot contact with the blade. DO NOT operate mower without the safety shield and discharge chute in place.

OPERATION

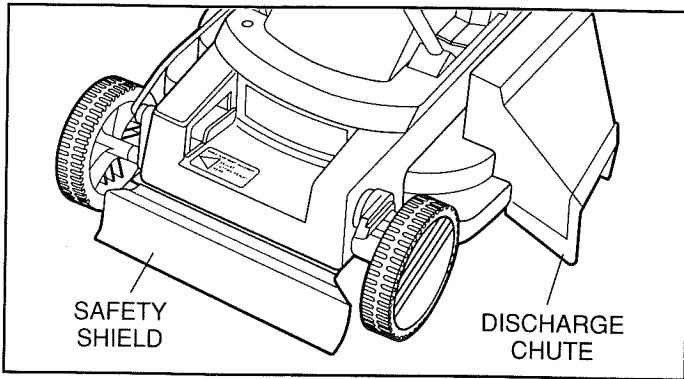


FIGURE 7

WHEEL HEIGHT ADJUSTMENT (FROM 1-3/4" TO 3-1/2" CUTTING HEIGHT)

TURN OFF AND UNPLUG MOWER BEFORE MAKING THIS ADJUSTMENT.

- Your mower features the Sears Single Lever Wheel Height Adjustment System. To raise or lower the cutting height, simply depress the lever (squeeze upward) located inside the pocket in the mower deck, as shown in Figure 8.

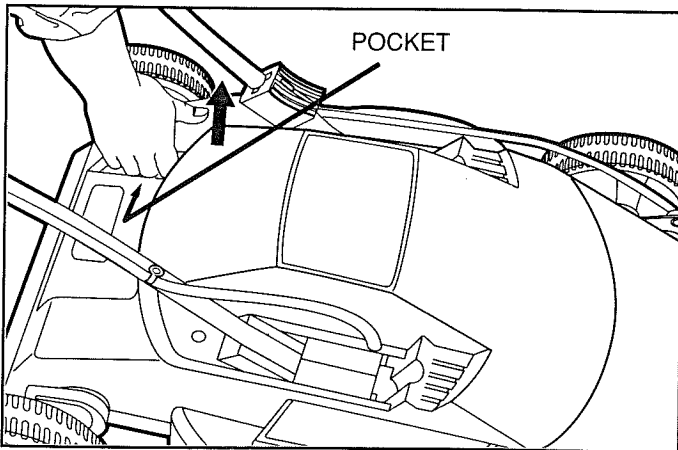


FIGURE 8

- Hold the lever up as you either raise or lower the deck. Release lever to lock in place. **NOTE:** To ensure that the deck is securely locked in one of the 6 positions, press down on deck after setting.
- The scale located on the side of the mower deck, as shown in Figure 9, shows 6 wheel height positions.

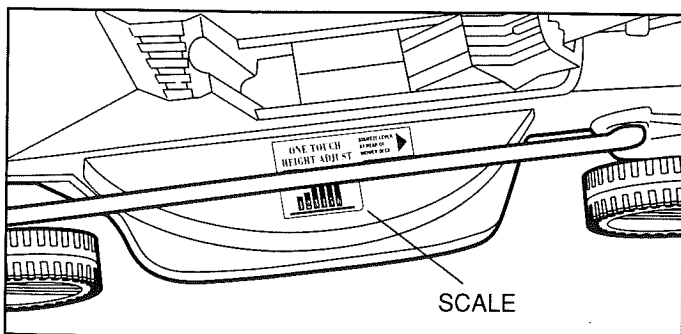


FIGURE 9

WHEEL HEIGHT ADJUSTMENT CHART

	POSITION	APPROXIMATE CUTTING HEIGHT
	1	1-3/4"
	2	2-1/8"
	3	2-1/2"
RECOMMENDED MULCHING HEIGHT	4*	2-7/8"
	5	3-1/8"
	6	3-1/2"

* **NOTE:** Mulching with wheel heights of less than setting 4 may result in clogging of the mower. Select the height that gives the best finished lawn appearance.

ATTACHING EXTENSION CORD TO MOWER CORD

DO NOT connect the extension cord to power source until you have finished reading this manual and are ready to start mowing. To prevent disconnection of mower cord from extension cord when mowing, use the cord control hanger, as shown in Figure 10.

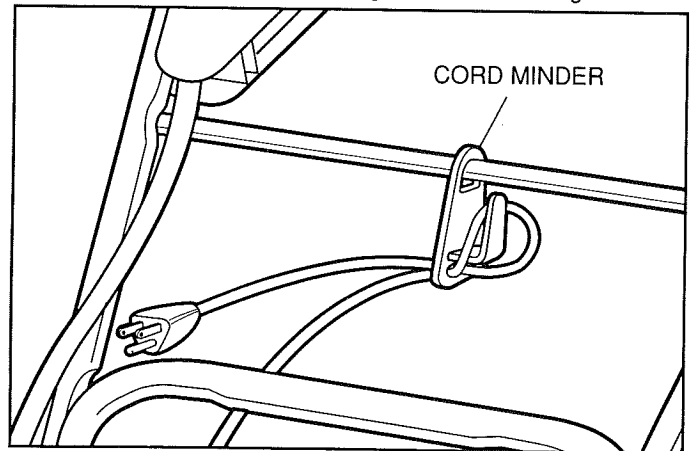


FIGURE 10



CAUTION: DO NOT PLUG EXTENSION CORD INTO RECEPTACLE OUTLET WHILE STANDING IN WATER OR WHEN HANDS ARE WET.

MOWING PROCEDURE

- Inspect area where mower is to be used and remove all stones, sticks, wire, bones, and other debris which might be thrown by the rotating blades.
- Place most of the extension cord close to the electrical outlet, out of the path of the mower (Figure 11). **CAUTION:** Do not plug extension cord into receptacle outlet while standing in water or when hands are wet.
- Begin mowing in the area closest to the outlet and mow in a back and forth manner (Figure 11). Use the cord control hanger to move the cord to the outlet side of the mower as you change directions. Note that cord is kept on cut portion of lawn.

OPERATION

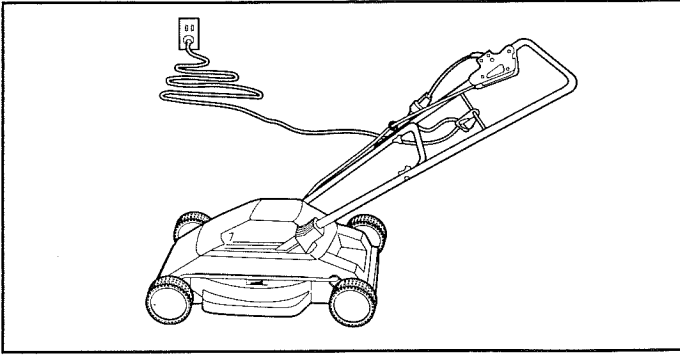


FIGURE 11

OTHER MOWING TIPS

- Mow across the face of slopes, never up-and-down. Exercise extreme caution when changing direction on slopes. Do not mow excessively steep slopes. Always maintain good footing.
- Release switch to turn mower "OFF" when crossing any graveled area (stones can be thrown by the blade).
- Set mower at highest cutting height when mowing in rough ground or in tall weed.
- From time to time turn off mower – UNPLUG CORD – turn mower on its side. Using an object such as a stick, wipe out any accumulation of grass in the blade area. Be careful of the sharp edges of the blade. If a grass catcher is used during the fast growing season, the grass may tend to clog up at the discharge opening. Turn the switch "OFF" and disconnect the power cord plug. Remove the catcher and shake the grass down to the back end of the bag. Also clean out any grass or debris which may be packed around the discharge opening. Replace the grass catcher. Clean often in wet, spring grass.
- If mower should start to vibrate abnormally, turn mower "OFF" and unplug power cord. Check immediately for cause. Vibration is a warning of trouble. Do not operate mower until a service check has been made.
- **ALWAYS TURN THE SWITCH OFF AND UNPLUG THE MOWER WHEN LEAVING IT UNATTENDED EVEN FOR A SHORT PERIOD OF TIME.**

MULCHING

Your new mower is designed to re-cut the grass clippings many times and reduce them in size so that, as they fall into the lawn, they will disperse into the grass and not be noticed. Also, the mulched grass will biodegrade quickly to provide nutrients to the lawn.

Your mower was shipped with the Mulch Plate installed. To remove the plate for side bagging or discharging as you mow, follow the steps listed below.

1. Shut the mower off, wait until the blade stops and unplug the mower.
2. Raise the discharge chute cover and hold it up.
3. Grasp the Mulch Plate handle, as shown in Figure 12 and pull the locking tab out just enough to clear the lip on the mower deck (about 1/2").
4. Pull the mulch plate out rotating it clockwise as it is removed, as shown in Figure 13.
5. Pull the mulch plate out completely until the discharge chute snaps back in place.

You are now ready to cut without mulching. The special mower blade is designed to operate while discharging, bagging, or mulching.

In order to install the Mulch Plate simply reverse the steps listed above, rotating the plate counterclockwise as you insert it into the mower deck, as shown in Figure 14. When it is in as far as it will go, turn the handle counterclockwise until the locking tab snaps into place. Release the discharge chute making sure the chute snaps into the full down position. These instructions are repeated on the Mulch Plate itself.

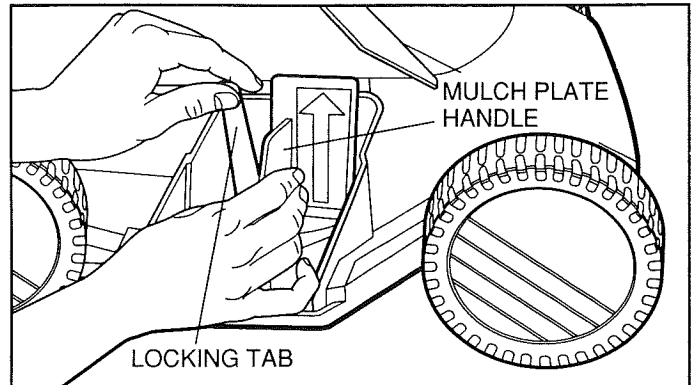


FIGURE 12

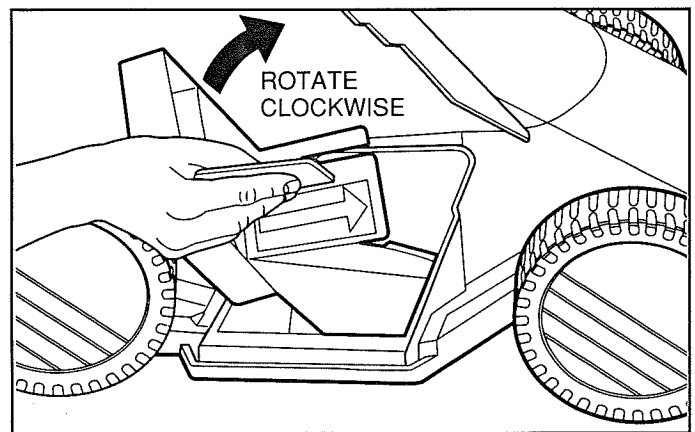


FIGURE 13

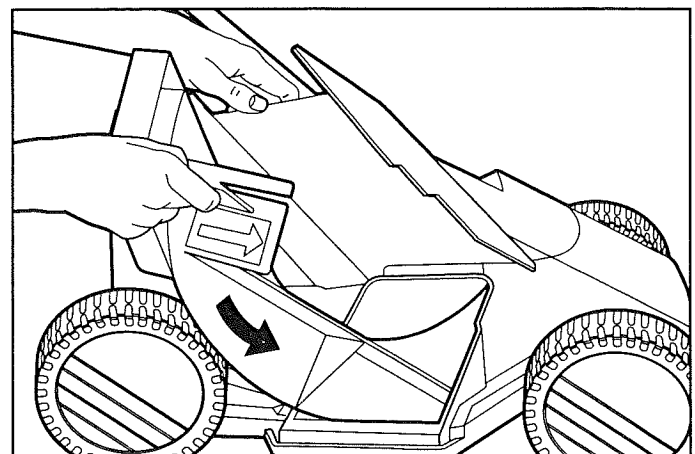


FIGURE 14

MULCHING MOWING TIPS

For best performance, keep the mower housing free of built-up grass and trash. Clean after each use. See "CLEANING" in the maintenance section of this manual.

Avoid cutting the lawn when it is wet. Wet grass tends to form clumps and they interfere with the mulching action. The best time to mow your lawn is in the early afternoon. At this time the grass is dried and the newly cut area will not be exposed to the direct sun. For best results, adjust the lawn mower cutting height so that the lawn mower cuts off only the top one third of the grass blades. If the lawn is overgrown it will be necessary to increase the cutting height to reduce the pushing effect and reduce overloading the motor. For extremely heavy mulching make narrower cuts and mow slowly.

Certain types of grass and grass conditions may require that an area be mulched a second time to completely hide the clippings. When doing a second cut, mow across or perpendicular to the first cut path. **DO NOT MOW PERPENDICULAR TO THE FIRST PATH IF IT WOULD CAUSE MOWING ACROSS A HILL.**

Change your cutting pattern from week to week. Mow north to south one week and east to west the next week. This will help prevent matting and graining of the lawn.

CUSTOMER RESPONSIBILITIES

MAINTENANCE

- Be sure the switch lever is released and the cord unplugged before doing any maintenance.
- Check the blade at frequent intervals for proper tightness.
- Keep all nuts, bolts, and screws tight to be sure the equipment is in safe working condition.
- If you are using a Grass Catcher, check it frequently for wear or deterioration. If excessively worn, replace with new bag for safety protection.

SERVICE and ADJUSTMENTS

BLADE SHARPENING

Keep blades sharp for best mower performance. Sharpening procedure is as follows.

- **RELEASE SWITCH LEVER TO TURN MOWER OFF AND UNPLUG MOWER!**
- The blade can be sharpened in several different ways. Try to maintain the original cutting angle, and sharpen each cutting edge an equal amount. Bent or damaged blades should be replaced.

BY HAND – Blade need not be removed. Being careful not to cut yourself, sharpen both edges of the blade with a sharpening stone or fine tooth file. (Fig. 15)

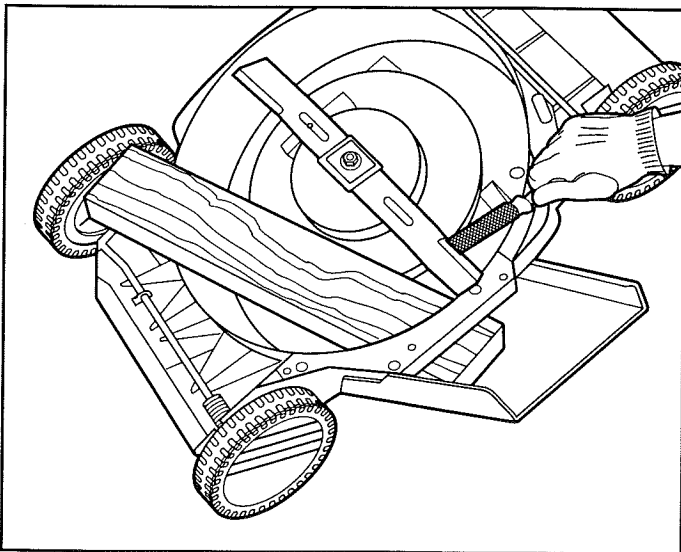


FIGURE 15

OTHER SHARPENING METHODS

Wear proper eye protection! With the blade removed from the mower, it can also be sharpened on a bench grinder, or, when held in a vise, with a power disc sander.

REMOVING AND ATTACHING BLADES

- **RELEASE SWITCH LEVER TO TURN MOWER OFF AND UNPLUG MOWER!**
- Cut a piece of 2 x 4 wood (about 2 feet long) to keep blade from turning while removing blade nut.
- Wear gloves. Position wood and remove nut as shown in Figure 16.
- Remove lower blade spacer, lower insulator washer and blade (Figure 17).
- When replacing sharpened or new blade on shoulder of fan, make sure cutting edges of the blade are closest to ground. Place lower insulator washer over shoulder of the fan. Now place blade spacer and the blade nut on the shaft. **NOTE:** Align flats of shaft with flats in insulator washer and lower blade spacer. Position wood to keep shaft from turning (Figure 18) and then securely tighten blade nut.

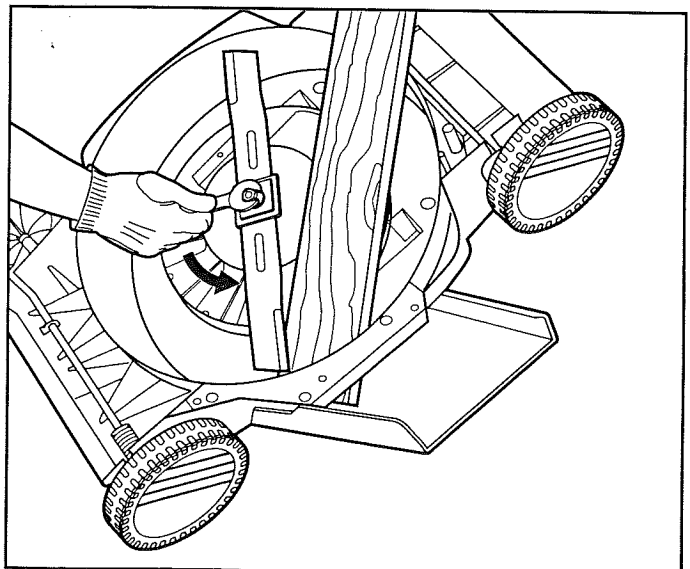


FIGURE 16

SERVICE and ADJUSTMENTS

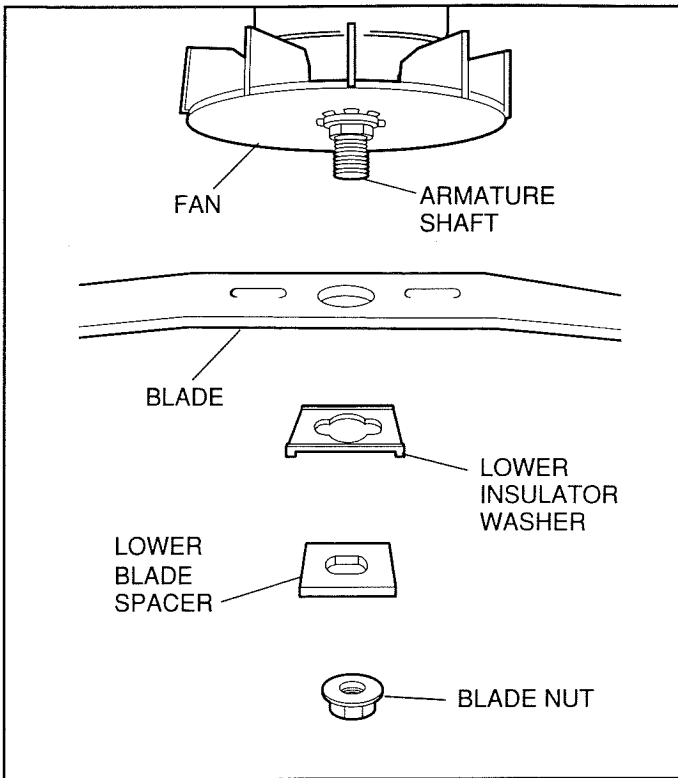


FIGURE 17

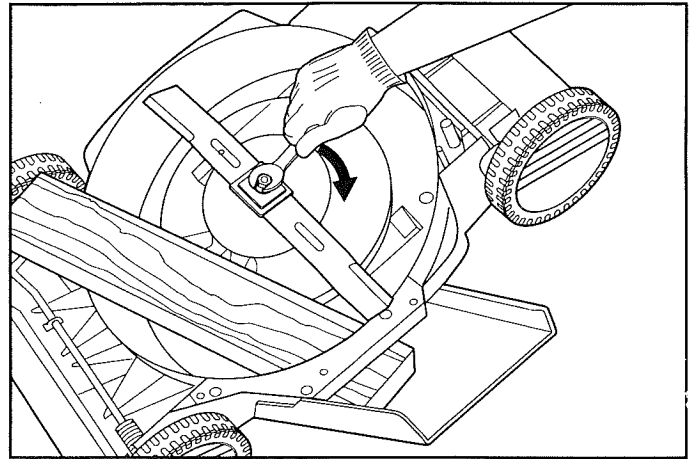


FIGURE 18

LUBRICATION

No lubrication is necessary. Do not oil the wheels. They have plastic bearings which require no lubrication.

IMPORTANT

To assure product **SAFETY** and **RELIABILITY**, repairs, maintenance and adjustment (including brush inspection and replacement) should be performed by SEARS Service Centers or other qualified service organizations, always using Sears replacement parts. When servicing use **ONLY IDENTICAL REPLACEMENT PARTS**.

STORAGE

HANDLE REMOVAL

- To remove the handle for storage, transportation or other reasons, position the mower so that it's in the normal operating position with the discharge chute to your **RIGHT**. **TURN OFF AND UNPLUG THE MOWER.**

Pull the release lever and raise the handle to a vertical position.

Lift up the edge of the rubber flap and insert a flat bladed screwdriver against the latch release, as shown in Figure 19.

Press the latch release forward until it stops. Pull the handle up and off of the steel pins (both sides). The handle can be folded in half by loosening the two plastic knobs you installed in Figure 2. Fold handle down backwards to avoid over-stressing the cables.

CLEANING AND STORAGE

TURN OFF AND UNPLUG MOWER! Use only mild soap and a damp cloth to clean the mower. Clean out any clippings which may have accumulated on the underside of the deck. After several uses, check all exposed fasteners for tightness.

Your mower should be stored in a dry place.

PREVENTING CORROSION

Fertilizers and other garden chemicals contain agents which greatly accelerate the corrosion of metals. If you mow in areas where fertilizers or chemicals have been used, the mower should

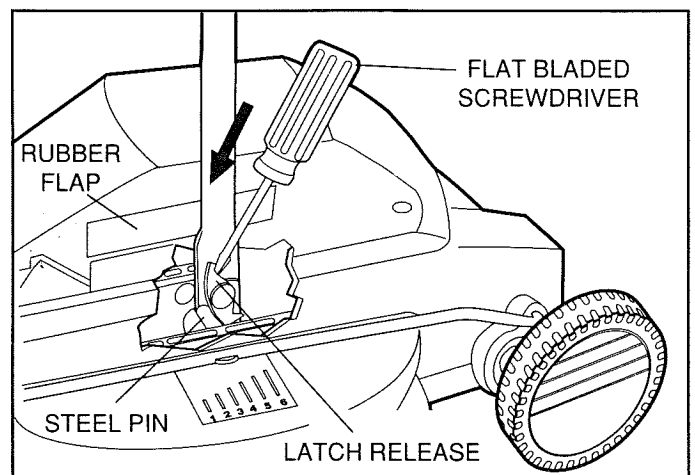


FIGURE 19

be cleaned immediately afterward as follows: (1) Be sure the mower is turned off and unplugged. (2) Wipe all exposed parts with a damp cloth.

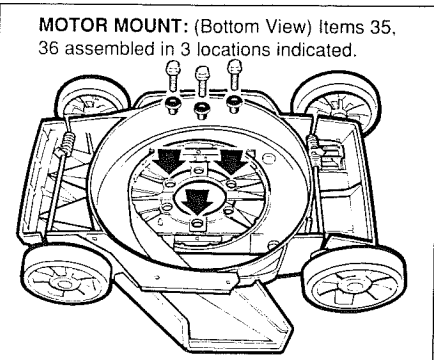
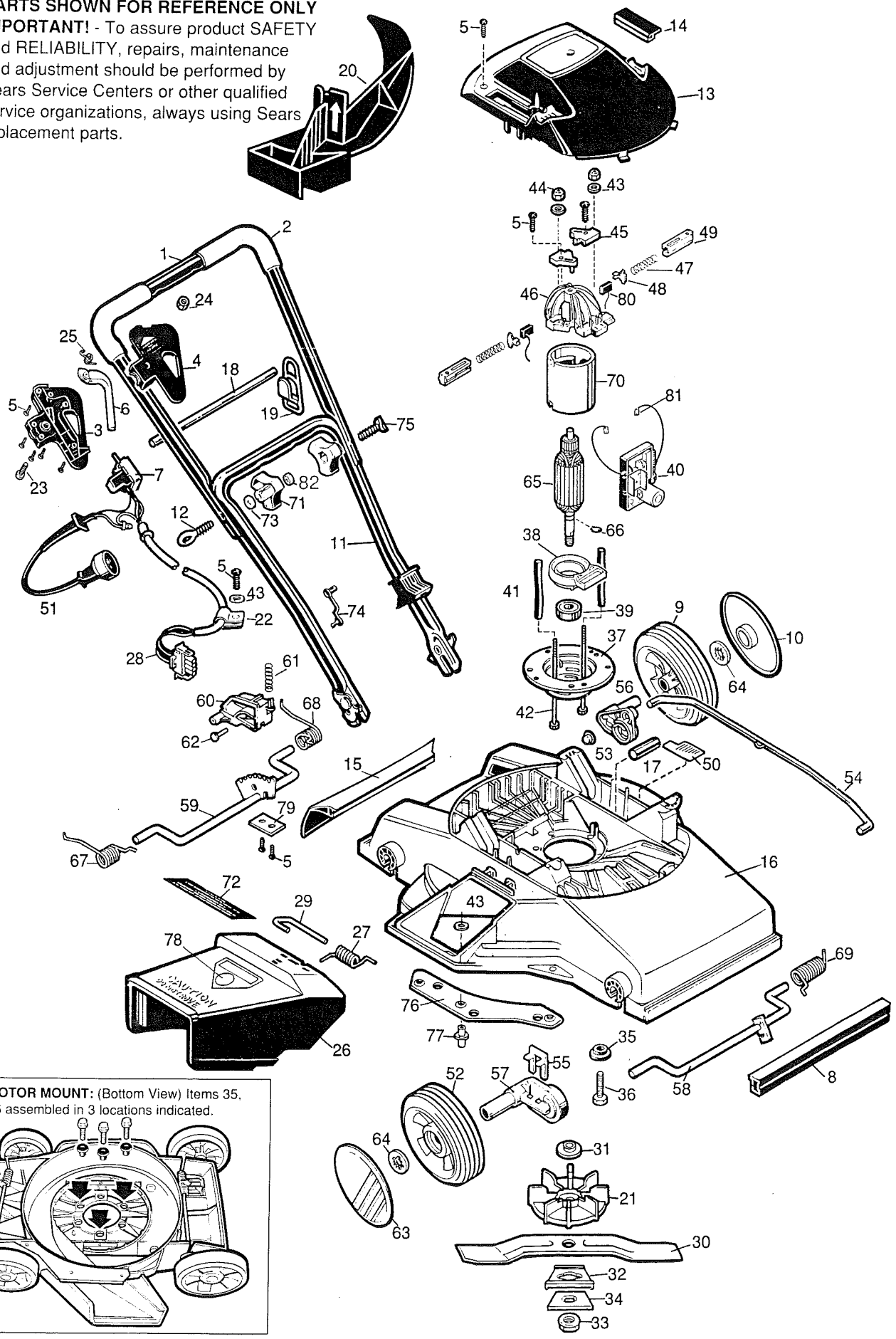


CAUTION: DO NOT POUR OR SPRAY WATER ON THE MOWER IN AN ATTEMPT TO CLEAN IT.

Do not store the mower on or adjacent to fertilizers or chemicals. Such storage can cause rapid corrosion.

SEARS LAWNMOWER - MODEL NUMBER 900.370260

PARTS SHOWN FOR REFERENCE ONLY
IMPORTANT! - To assure product SAFETY and RELIABILITY, repairs, maintenance and adjustment should be performed by Sears Service Centers or other qualified service organizations, always using Sears replacement parts.



SEARS LAWNMOWER - MODEL NUMBER 900.370260

The Model Number and Date Code will be found on a label attached to the deck. Always mention the Model Number in all correspondence regarding your Lawnmower or when ordering repair parts.

SEE BACK PAGE FOR PARTS ORDERING INSTRUCTIONS

PARTS LIST

(PARTS SHOWN FOR REFERENCE ONLY)

Index No.	Part No.	Description	Qty.	Index No.	Part No.	Description	Qty.	Cat. No.	Type	Volts	Amps	RPM
								900.370260	1	120 AC only	9.0	4000
1	242065-01	Upper Handle	1	41	60655-03	Sleeve Insulator	2					
2	241519-00	Handle Grip	2	* 42	681298-00	Screw Hex Hd. 10 - 32 x 6.62"	2					
3	681292-00	Switch Housing	1	43	99361-10	Flat Washer #10	6					
4	681293-00	Switch Cover	1	44	32699-00	10 - 32 Lock Nut	2					
* 5	86964-00	8-16 x .72 Lg. Plastic Screw	12	45	240808-00	Brush Cap	2					
6	681253-04	Switch Lever	1	46	680476-03	S/A End Cap	1					
7	681064-01	Switch	1	47	70206-00	Brush Spring	2					
8	241642-00	Bumper	1	48	70162-00	Terminal Lead	2					
9	241653-01	Wheel 8 x 1 3/4"	2	49	70050-00	Brush Insert	2					
10	241028-04	Wheel Disc	2	50	263249-00	Height Adj. Label	1					
11	241976-01	S/A Lower Handle	1	51	241479-01	Power Supply Cord	1					
12	241948-00	1/4 - 20 Eye Bolt	1	52	241652-01	Wheel 7 x 1 3/4"	2					
13	241579-00	Shroud	1	53	56618-05	Cap	2					
* 14	242026-00	Slot Cover	2	54	241542-00	Connecting Rod	1					
* 15	241524-00	Flap	1	55	241536-00	Axle Clip	4					
16	241998-04	Deck (Incl. 17, 43, 77, 78)	1	56	241538-00	Axle Retainer Rt.	2					
				57	241537-00	Axle Retainer Left	2					
17	241578-00	Pivot Pin	2	58	242081-01	S/A Axle & Spring Retainer	1					
18	242064-00	Cord Control Rod	1	59	241926-00	S/A Axle & Quad Plate	1					
19	242063-00	Strain Relief	1	60	241531-02	Release Handle	1					
20	242052-01	Mulch Plate	1	61	241656-00	Compression Spring	1					
21	241125-00	Fan	1	62	241657-00	Pin	1					
22	62443-02	Cable Clamp	1	63	241028-03	Wheel Disc	2					
* 23	99292-16	1/4 - 20 x 1" Screw	1	64	241658-00	Push Ring	4					
24	38738-00	1/4 - 20 Hex Nut	1	65	241549-31	S/A Armature (Incl. 66)	1					
25	681269-00	Torsion Spring	1	* 66	137203-00	Retainer Ring	1					
26	241527-00	Discharge Chute	1	67	241660-00	Torsion Spring	1					
27	241623-00	Torsion Spring	1	68	241661-00	Torsion Spring	1					
28	241481-10	SA Motor Cord (Incl. 51)	1	69	241662-00	Torsion Spring	1					
				70	681086-02	S/A Magnet & Ring	1					
29	241979-00	Pin	1	71	241545-00	Knob	2					
30	242062-00	Blade	1	72	272594-00	Warning Label	1					
31	680812-00	Upper Blade Spacer	1	73	38297-00	Lock Washer	2					
32	241381-01	Blade Insulator	1	74	72926-00	Cable Strap	1					
* 33	239487-00	Hex Nut Flanged	1	75	241947-00	Curved Hd. Screw	1					
* 34	92715-00	Lower Blade Spacer	1	76	241726-00	Stiffener Plate	1					
35	241594-00	Spacer Motor	3	77	241875-00	Pop-Rivet	3					
36	681548-01	1/4 - 20 x .90 Lg. Thd. Forming Screw	3	78	681711-00	Caution Label	1					
37	241590-04	Lower Stamping	1	79	241933-00	Retainer Strap	1					
38	240893-00	Insulate Mag. Ring	1	80	681655-00	Shunted Brush	2					
39	70055-00	Ball Bearing	1	81	33314-00	Crimp Connector	2					
40	241040-00	S/A Electronic Module	1	82	241485-00	1/4 - 20 Hex Nut	2					

*** NOTES:**

- 5 Tighten to a torque 6 - 8 in. lbs.
- 14 Slot Covers come in matching sets. They must be torn along center to separate.
- 15 P/N 233760-00 (Epoxy) should be used to secure flap & bumper to deck.
- 23 Tighten to a torque 7 - 9 in. lbs.
- 33 Tighten to a torque 25 - 35 ft. lbs.
- 34 Align flats on shaft and spacer before tightening nut.
- 36 Tighten to a torque of 7 - 9 ft. lbs.
- 42 Tighten to a torque of 20 - 30 in. lbs., tab and slot must mate at each end of magnetic ring before tightening screws.
- 66 Assemble with burr side towards commutator.

PARTS NOT SHOWN: (Included with the unit)

- 158756-00 Owners Manual
- 241691-10 Hardware Bag (Incl. 71, 73, 74, 75)

EXTRA EQUIPMENT: (Not supplied with unit)

- 241515-00 Connection Diagram

IMPORTANT! - To assure product SAFETY and RELIABILITY, repairs, maintenance and adjustment should be performed by Sears Service Centers or other qualified service organizations, always using Sears replacement parts.

SEARS

INSTRUCTION MANUAL

**MODEL NO.
900.370260**

HOW TO ORDER REPAIR PARTS

CRAFTSMAN®

18" DOUBLE INSULATED ELECTRIC 3-IN-1 CONVERTIBLE MULCHING LAWN MOWER

Now that you have purchased your Lawn Mower, should a need ever exist for repair parts or service, simply contact any Sears Service Center and most Sears, Roebuck and Co. stores. Be sure to provide all pertinent facts when you call or visit.

The model number of your Lawn Mower will be found on the label attached to the housing.

IMPORTANT!—To assure product safety and reliability, repairs, maintenance and adjustment should be performed by Sears Service Centers, always using Sears replacement parts.

WHEN ORDERING REPAIR PARTS, ALWAYS GIVE THE FOLLOWING INFORMATION:

- MODEL NUMBER
900.370260
- PART DESCRIPTION
- NAME OF ITEM
LAWN MOWER

All parts listed may be ordered from any Sears Service Center and most Sears stores.

If the parts you need are not stocked locally, your order will be electronically transmitted to a Sears Repair Parts Distribution Center for handling.

SEARS, ROEBUCK AND Co., Chicago, IL 60684 U.S.A.