

Installation Instructions

Spacemaker® Dishwasher

If you have questions, call 800.GE.CARES (800.432.2737) or visit our website at: www.GEAppliances.com



BEFORE YOU BEGIN

Read these instructions completely and carefully.

IMPORTANT – Observe all governing codes and ordinances.

- **Note to Installer** – Be sure to leave these instructions for the consumer and local inspector's use.
- **Note to Consumer** – Keep these instructions with your Owner's Manual for future reference.
- **Skill Level** – Installation of this dishwasher requires basic mechanical, electrical and plumbing skills. **Proper installation is the responsibility of the installer. Product failure due to improper installation is not covered under the GE Appliance Warranty. See warranty information.**
- **Completion Time** – **1 to 3 Hours.** New installations require more time than replacement installations.
- **Sink Requirement** – This Spacemaker® dishwasher is designed to be installed under a special shallow sink. Three types of sinks are available: GPF95, a single bowl sink with the drain hole on the right side of the sink; GPF96, a single bowl sink with the drain hole on the left side of the sink; and GPF97, a double bowl sink. Purchase these sinks from your authorized GE appliance dealer.

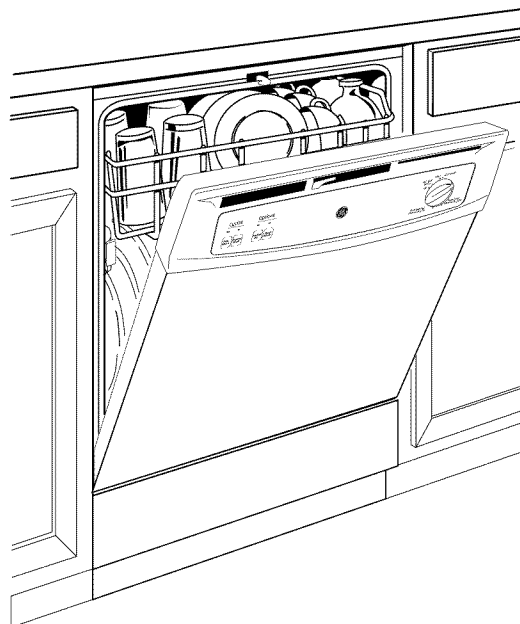
IMPORTANT – The dishwasher **MUST** be installed to allow for future removal from the enclosure if service is required.

If you received a damaged dishwasher, you should immediately contact your dealer or builder.

Optional Accessories – See the Owner's Manual for available custom panel kits.

FOR YOUR SAFETY

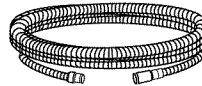
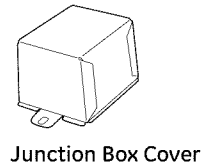
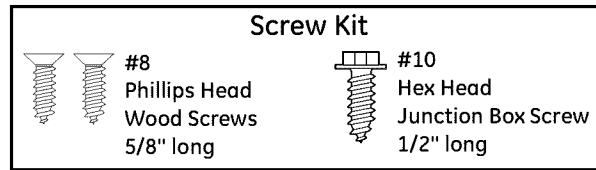
Read and observe all **CAUTIONS** and **WARNINGS** shown throughout these instructions. While performing installations described in this booklet, gloves and safety glasses should be worn.



**READ CAREFULLY.
KEEP THESE INSTRUCTIONS.**

PARTS SUPPLIED IN INSTALLATION PACKAGE:

- Two 8-18 x 5/8" Phillips head wood screws
- Junction box cover and #10 hex head screw
- Drain hose (78" long) and hose clamp
- Literature, product samples, and/or coupons



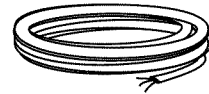
78" Drain Hose



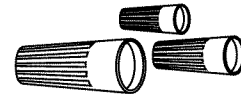
Hose Clamp

MATERIALS YOU WILL NEED:

- WX09X70910 power cord if applicable to your installation
- UL Listed wire nuts (3)
- Thread seal tape
- 90° elbow, ferrule and compression nut – (3/8" NPT external thread on one end and opposite end sized to fit water supply)
- GPF65 Side-mount bracket kit for use with granite countertops



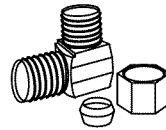
Electrical Cable or
WR09X70910 Power Cord



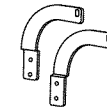
3 Wire Nuts



Thread
Seal Tape



90° Elbow, Ferrule and
Compression Nut



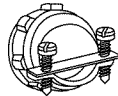
GPF65 Side-Mount
Bracket Kit



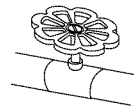
Hot Water Line-3/8"
Minimum Copper
Tubing

FOR NEW INSTALLATIONS:

- Electrical cable
- Water line-3/8" minimum copper tubing
- Strain relief for electrical connection
- Hand shut-off valve (recommended)
- Air gap for drain hose, if required
- Waste tee for house plumbing, if applicable
- Screw type hose clamps
- GPF95, GPF96 or GPF97 stainless steel sink



Strain Relief



Shut-Off Valve



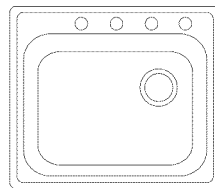
Air Gap



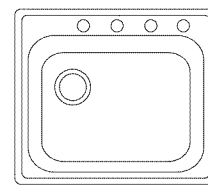
Waste Tee



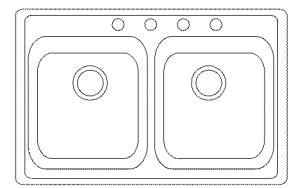
Screw Type
Hose Clamps



GPF95
Stainless Steel Sink



GPF96
Stainless Steel Sink



GPF97
Stainless Steel Sink

TOOLS YOU WILL NEED:

- Safety glasses
- 1/4" and 5/16" nutdrivers
- Flashlight
- Gloves
- Adjustable wrench (6")
- Phillips head screwdriver
- 15/16" socket wrench
- Measuring tape
- Level
- Carpenters square
- Bucket to catch water when flushing water line
- Tubing cutter



Safety Glasses



1/4" and 5/16" Nutdrivers



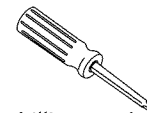
Flashlight



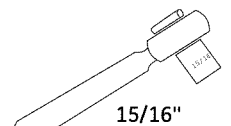
Gloves



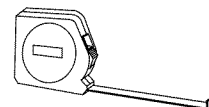
Adjustable
Wrench



Phillips Head
Screwdriver



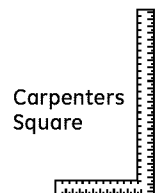
15/16"
Socket Wrench



Measuring Tape



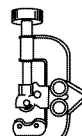
Level



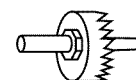
Carpenters
Square



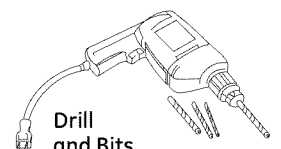
Bucket



Tubing Cutter



Hole Saw Set



Drill
and Bits

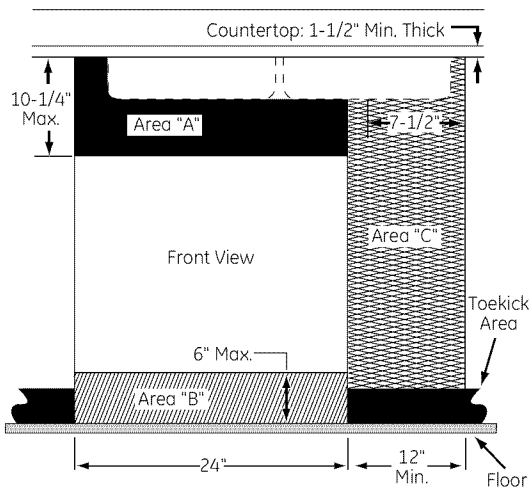
FOR NEW INSTALLATIONS:

- Hole saw set
- Drill and appropriate bits

Installation Preparation–Enclosure

PREPARE DISHWASHER ENCLOSURE AND SINK LOCATION

- Water line to sink faucet and drain from sink can be run through Area "A."
- Hot water line to dishwasher is installed in Area "B."
- Garbage disposer, water lines to faucet, waste trap, air gap and water shut-off valve are installed in a 12" wide cabinet, Area "C".



PREPARE CABINET CUTOUT FOR SINK:

WARNING

To reduce the risk of shock, fire, or injury to persons, the installer must ensure that the dishwasher is completely enclosed at the time of installation.

ADVERTENCIA

Para reducir el riesgo de choque, incendio o lesión a personas, el instalador se debe cerciorar de que la lavadora esté completamente cerrada en el momento de la instalación.

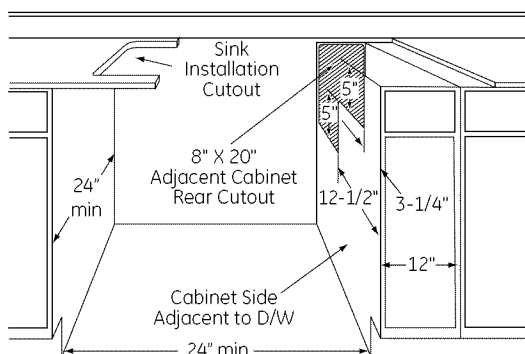


Figure B

- Sink opening for garbage disposer must be dimensioned as shown (7-1/2") in Area "C." This will provide clearance for disposer and plumbing in Area "C" when using either single or double bowl sink. Refer to Figure A below and Figure F1 on page 6.

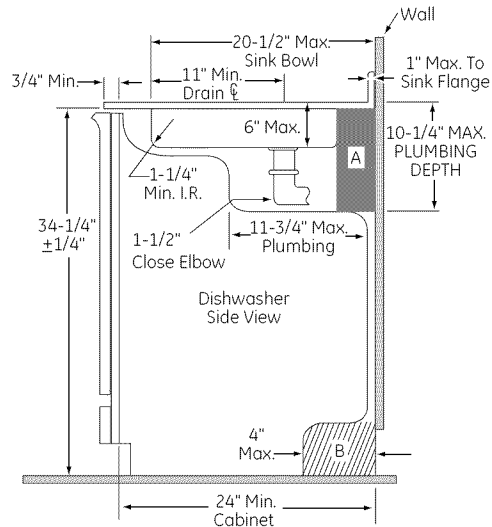
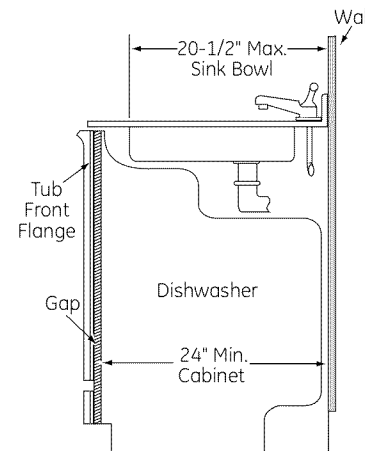


Figure A

- The cabinet opening must have a minimum width and depth of 24" and height of 34-1/4" ± 1/4".
- This dishwasher fits under a special sink with a depth of 6" or less in a 1-1/2" countertop.
- The dishwasher must be fully enclosed on the top, sides and back.
- The dishwasher must not support any part of the enclosure.



Note: A gap between the dishwasher tub front flange and the front of the base cabinet may result due to either the cabinet being less than 24" deep or the sink bowl not being installed to specifications.

If the gap is more than 3/4", the sink bowl must be relocated to meet specified dimensions.

Installation Preparation–Drain

PREPARE DRAIN PLUMBING

Drain Requirements


- Follow local codes and ordinances.
- Drain hose must not exceed 10 feet in length.
- A high drain loop or air gap is required. See below.

Drain Method

The type of drain installation depends on the following:

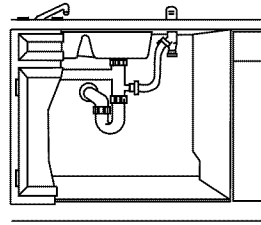
- Do local codes or ordinances require an air gap?
- Is waste tee less than 18" above the floor?

If the answer to either question is **YES**, an air gap (**Method 1**) must be used. If both answers are **NO**, either an air gap or a high drain loop (**Method 2**) may be used.

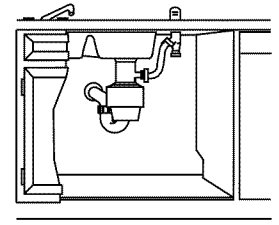
 **CAUTION**

An air gap **MUST BE USED** if the drain hose is connected to waste tee or disposer lower than 18" above the floor level. Failure to provide the proper drain connection height with an air gap or 32" minimum, high drain loop will result in improper draining of the dishwasher, which may cause damage.

METHOD 1–Air Gap with Waste Tee or Disposer



Waste Tee Installation

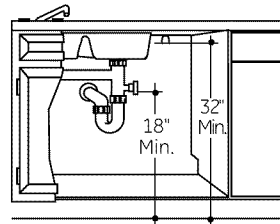


Disposer Installation

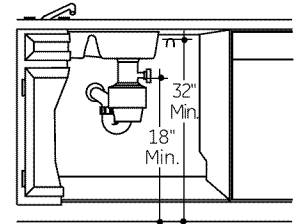
Figure C

METHOD 2–High Drain Loop with Waste Tee or Disposer

Provide a method to attach the drain hose to the underside of countertop. Attachment will be made in a later step.



Waste Tee Installation



Disposer Installation

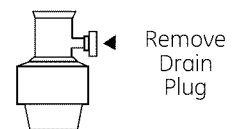
Figure D

Install waste tee or disposer and the air gap according to the manufacturer's instructions.

Cabinet Preparation



Drill a 1-1/2" diameter hole in the cabinet wall within the shaded area shown in Figure E for the drain hose. Make sure there are no sharp edges. The drain hose will be passed through this hole and connected to the drain in a later step.

IMPORTANT - When connecting the drain line to a disposer, check to be sure that drain plug has been removed. Dishwasher will not drain if plug is left in place.



Installation Preparation–Electrical Supply

PREPARE ELECTRICAL WIRING

 <p>WARNING</p>	<p>FOR PERSONAL SAFETY: Remove house fuse or open circuit breaker before beginning installation. Do not use an extension cord or adapter plug with this appliance.</p>
 <p>ADVERTENCIA</p>	<p>PARA SEGURIDAD PERSONAL: Retire el fusible de la casa o abra el interruptor de circuitos antes de empezar la instalación. No use un cable de extensión o enchufe adaptador con este aparato.</p>

Electrical Requirements



- This appliance must be supplied with 120V, 60 Hz., and connected to an individual properly grounded branch circuit, protected by a 15 or 20 ampere circuit breaker or time delay fuse.
- Wiring must be 2 wire with ground.
- If the electrical supply does not meet the above requirements, call a licensed electrician before proceeding.

Grounding Instructions–Permanent Connection

This appliance must be connected to a grounded metal, permanent wiring system, or an equipment grounding conductor must be run with the circuit conductors and be connected to the equipment grounding terminal or lead on the appliance.

Grounding Instructions–Power Cord Models

This appliance must be grounded. In the event of a malfunction or breakdown, grounding will reduce the risk of electric shock by providing a path of least resistance for electric current. This appliance is equipped with a cord having an equipment grounding conductor and a grounding plug. The plug must be plugged into an appropriate outlet that is installed in accordance with all local codes and ordinances.

 <p>WARNING</p>	<p>The improper connection of the equipment grounding conductor can result in electric shock. Check with a qualified electrician or service representative if you are in doubt that the appliance is properly grounded. Do not modify the plug provided with the appliance; if it will not fit the outlet, have a proper outlet installed by a qualified technician.</p>
 <p>ADVERTENCIA</p>	<p>La conexión incorrecta del conductor de conexión a tierra del equipo puede resultar en choque eléctrico. Consulte con un electricista calificado o representante de servicio si tiene dudas de la conexión a tierra del aparato. No modifique el enchufe que se suministra con el aparato; si no calza en el tomacorrientes, haga que un técnico calificado le instale un tomacorrientes adecuado.</p>

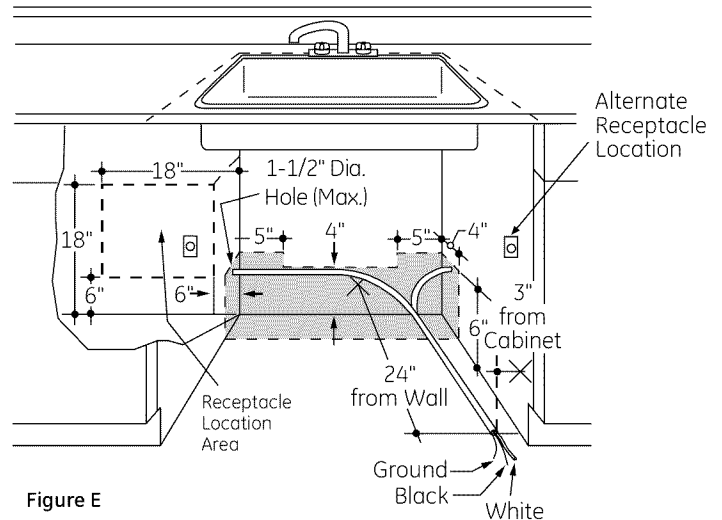
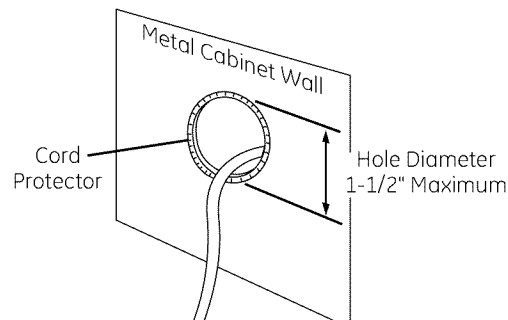


Figure E

Cabinet Preparation & Wire Routing

- The wiring may enter the opening from either side, rear, or floor within the shaded area illustrated above in Figure E.
- Cut a 1-1/2" maximum diameter hole to insert the electrical cable. Permanent wiring connections may pass through the same hole as the drain hose and hot water line, if convenient. Hole edges must be smooth and rounded. If the cabinet wall is metal, the hole edge must be covered with a cord protector.

NOTE: Power cords with plug must pass through a separate hole.



Electrical Connection to Dishwasher

Electrical connection is on the right front of dishwasher.

- For permanent connections, the cable must be routed as shown in Figure E. The cable must extend a minimum of 24" from the rear wall.
- For power cord connections, install a 3-prong grounding type receptacle in the adjacent cabinet rear wall, between 6" and 18" from the opening, 6" to 18" above the floor as shown in Figure E.

Installation Preparation–Hot Water Supply

PREPARE HOT WATER SUPPLY

Hot Water Line

- The line may enter from either side, rear, or floor within the shaded area shown in Figure F.
- The line may pass through the same hole as the electrical cable and drain hose, or cut an additional 1-1/2" diameter hole to accommodate the water line. If a power cord with plug is used, the water line must not pass through the power cord hole.

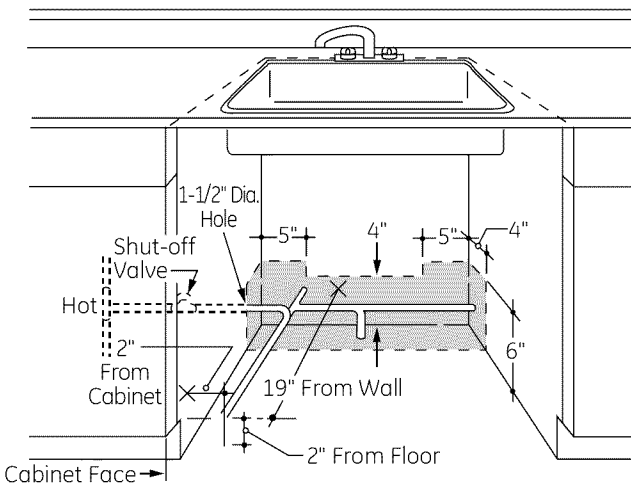


Figure F

Water Line Connection

- Turn off the water supply.
- Install a hand shut-off valve in an accessible location. (Optional, but strongly recommended and may be required by local codes.)
- The water connection is on the left side of the dishwasher. Install the hot water inlet line, using 3/8" or larger copper tubing. Route the line as shown in Figure F and extend forward at least 19" from rear wall.
- Adjust the water heater to deliver water between 120°F and 150°F.
- Flush water line to clean out debris. Use a bucket to catch water and debris.
- The hot water supply line pressure must be between 20 and 120 PSI.



CAUTION

The hot water supply line pressure must be at least 20 PSI. Lower pressures could cause the water valve to leak and cause water damage.

Sink Utility Connections

Sink faucet hot and cold water lines and the sink drain line must run above and adjacent to the dishwasher, not behind it. Refer to Areas A and C in Figure A on page 3 and Figure F1 below. This is necessary to provide clearance for the dishwasher when it is installed in the cabinet. Utility lines routed directly behind the dishwasher will interfere with placement of the dishwasher in the cabinet and cause it to extend beyond the adjacent cabinets.

Figure F1 illustrates an installation using a double bowl sink, a disposer and a high drain loop.

Note: All utility lines are above, below or adjacent to the dishwasher. None are routed behind it.

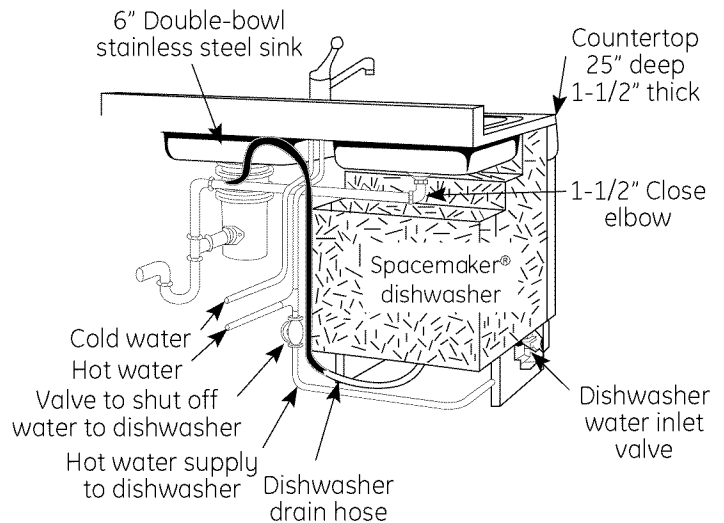


Figure F1

Dishwasher Installation



CAUTION

Do not remove the wood base until you are ready to install the dishwasher. The dishwasher will tip over when the door is opened if the base is removed.

STEP 1: PREPARATION

Locate the items in the installation package and set them aside for use in the listed steps.

- Screw kit—Steps 5 or 16 and 13
- Junction box cover—Steps 5 or 16
- Drain hose and drain hose clamp—Step 7
- Owners' Manual—Steps 18 and 21
- Product Samples and/or coupons—Step 21

STEP 2: CHECK DOOR BALANCE

- With the dishwasher on the wood base, check the door balance by opening and closing the door.
- The door is properly balanced if it gently drops from a 1/2 open position and does not rise from the full open position.
- If necessary, increase or decrease tension as shown. Latch the door and adjust springs to correct balance.

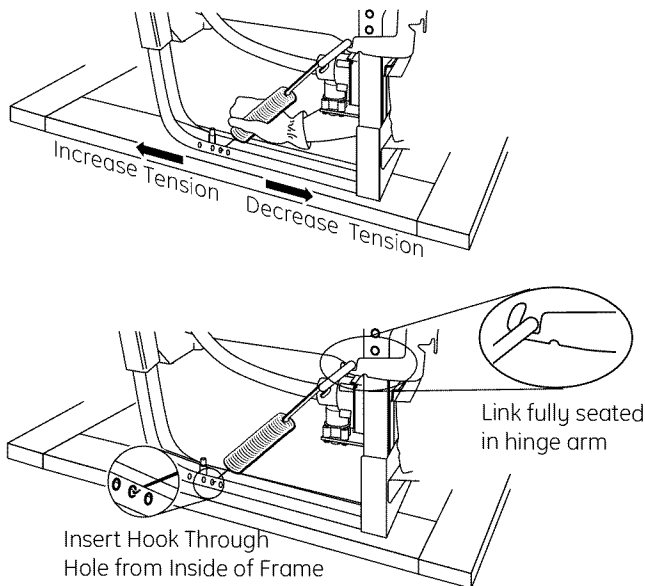


Figure G

Tip: Avoid service calls for door balance problems

Make sure the spring end is fully engaged in a frame hole and the spring link is fully seated in the hinge arm.

STEP 3: REMOVE WOOD BASE

IMPORTANT – Do not kick off wood base! Damage will occur.

- Move the dishwasher close to the installation location and lay it on its back.
- Remove the four leveling legs from the underside of the wood base with a 15/16" socket wrench.
- Remove and discard wood base.

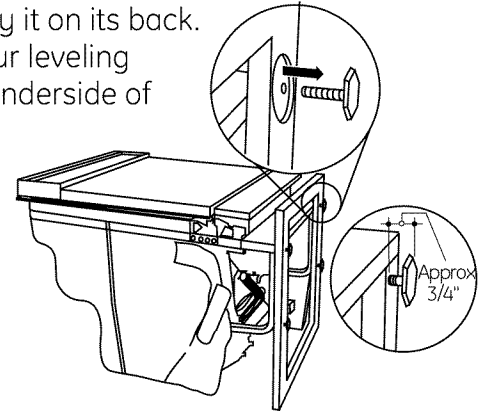


Figure H

- Screw leveling legs back into the dishwasher frame, approximately 3/4" from the frame, as shown.

STEP 4: REMOVE ACCESS PANEL AND TOEKICK

The top mounting holes in the access panel are slotted.

- Remove the lower two 10-16x3/8" sheet metal screws. Do not remove the two top 8-32x1/4" machine thread screws.
- Slide the access panel to the left as far as it will go.
- Gently pull the access panel forward to remove it from the top screws.

Set access panel, toekick, and screws aside for use in Step 20.

Tip: Prevent tub damage

Remove only the 3/8" sheet metal screws in this step. This will help prevent a mix up with the 1/4" machine thread screws in Step 20.

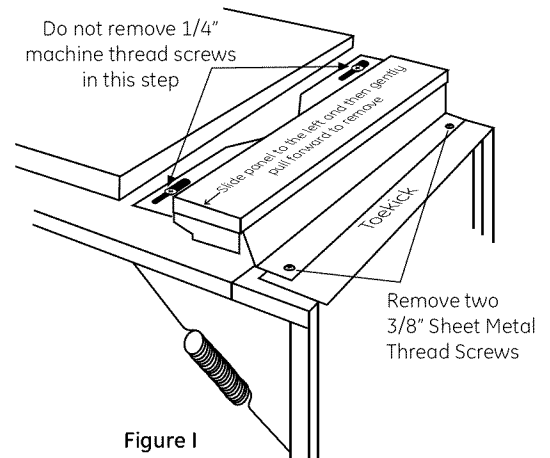


Figure I

Dishwasher Installation

STEP 5: INSTALL POWER CORD

Skip this step if the dishwasher will be permanently connected to the house electrical system or has a factory installed power cord.

In this step you will need the junction box cover and the #10 x 1/2" hex head screw from the screw kit set aside in Step 1.

The power cord and connections must comply with the National Electrical Code, Section 422 and/or local codes and ordinances. Maximum power cord length is 6 feet. Power Cord Kit WX09X70910, available for purchase from an authorized GE Appliance Dealer, meets these requirements.

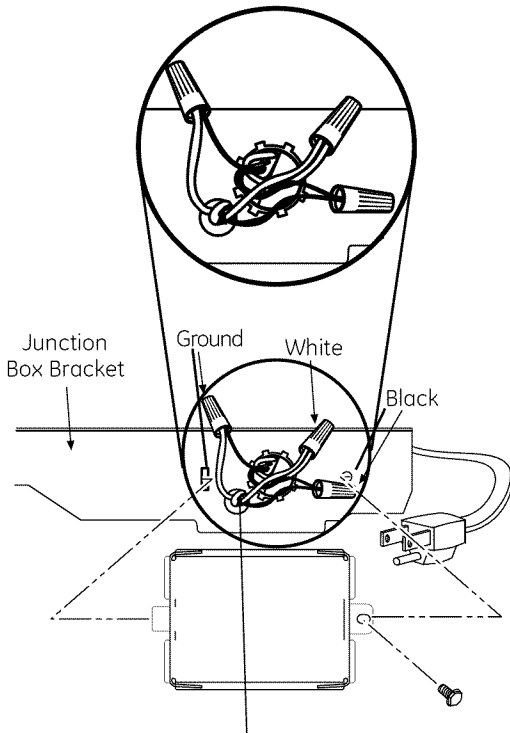


Figure J

- Install strain relief in the junction box bracket.
- Insert the power cord through the strain relief and tighten.
- Make sure black, white, and green dishwasher wires are threaded through the small hole in the junction box bracket.
- Connect power cord white (or ribbed) to dishwasher white, black (or smooth) to dishwasher black and ground to dishwasher green wire. Use UL listed wire nuts of appropriate size.
- Install junction box cover using the #10 hex head screw. Be sure wires are not pinched under the cover.

STEP 6: INSTALL 90° ELBOW

- Wrap a 90° elbow with thread seal tape.
- Thread the 90° elbow into the water valve.
- Do not over tighten the elbow; water valve bracket could bend or the valve fitting could break.
- Position the end of the elbow to face the rear of the dishwasher.

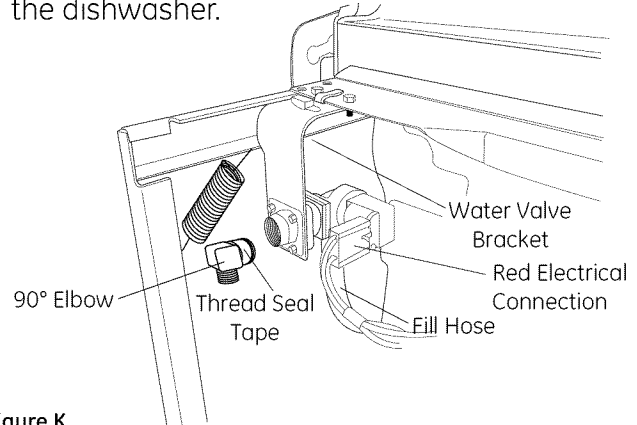


Figure K

STEP 7: INSTALL DRAIN HOSE TO DISHWASHER DRAIN PORT

Skip this step if drain hose has been pre-installed.

In this step you will need the drain hose and clamp set aside in Step 1.

IMPORTANT – Prevent drain hose damage and possible leaks. Be careful not to nick or cut the drain hose.

- Route the small end of the drain hose from the left side of the dishwasher through the strain relief attached to the dishwasher frame and toward the center of the dishwasher as shown in Figures L and M.
- Place the hose clamp over the small end of the drain hose.
- Push the small end of the drain hose over the drain port on the collection chamber making sure it is fully seated against the hose stop.
- Tighten the hose clamp to at least 15 inch-pounds of torque.

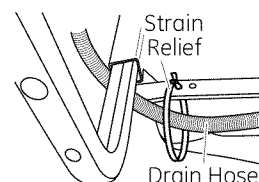


Figure L

Dishwasher Installation

Note: The drain hose supplied with the dishwasher is approximately 78" long. If a longer hose is needed, a 10 foot long hose may be purchased from an authorized GE appliance dealer. The 10 foot long hose is part number **GPF10S**.

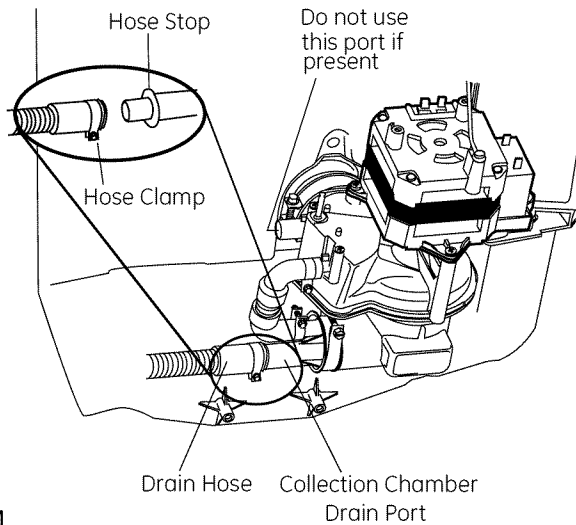


Figure M

Tip: Avoid unnecessary service charges for drain issues

Make sure the drain hose connection is leak free and the hose is routed through the strain relief so it will not kink when the dishwasher is installed into the cabinet.

STEP 8: POSITION WATER LINE AND POWER SUPPLY

- Position the water supply line and house wiring on the floor of the opening to avoid interference with the base of dishwasher and components under the dishwasher.

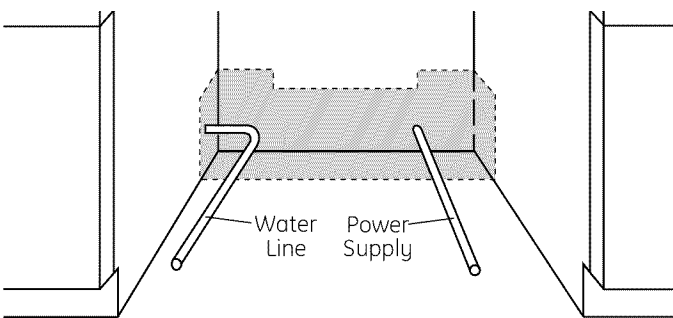


Figure N

STEP 9: INSERT DRAIN HOSE AND POWER CORD, IF USED, THROUGH CABINET

- Upright the dishwasher and position it in front of the cabinet opening.
- Insert the drain hose into the hole previously drilled in the cabinet wall.
- If a power cord is used, guide the end of the cord through a separate hole cut for the power cord.

The power cord should be routed directly to the rear of the junction box avoiding contact with the door spring and other dishwasher components.

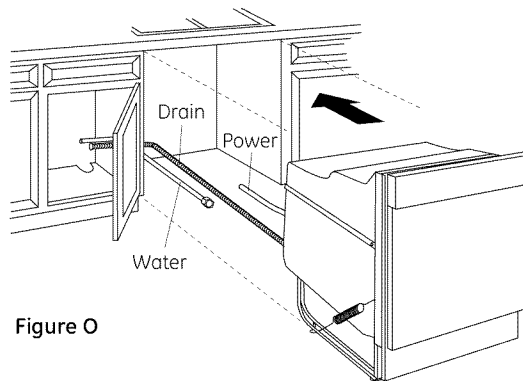


Figure O

Tip: Avoid unnecessary service charges for no fill, drain, or noise concerns

Position utility lines so they do not interfere with anything under or behind the dishwasher.

STEP 10: INSTALL OPTIONAL GPF65 SIDE MOUNT BRACKETS

Skip this step if the underside of countertop is wood or wood like material.

- Purchase and install the **GPF65** side mount bracket kit if the underside of counter is granite or a similar material that will not accept wood screws. The **GPF65** kit is available from authorized GE appliance dealers.
- Refer to Figure P and follow the instructions included in the kit.

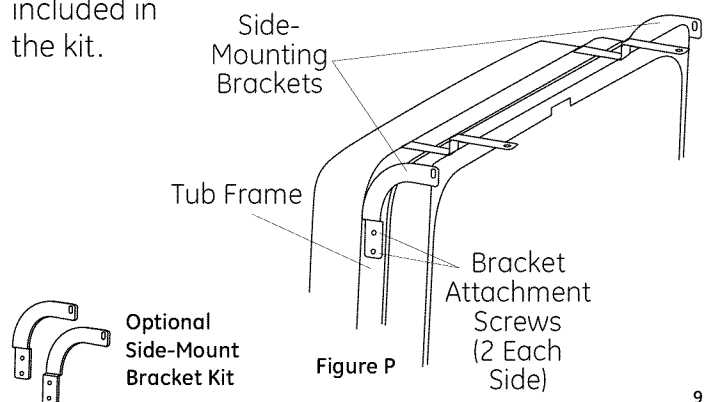


Figure P

Dishwasher Installation

STEP 11: SLIDE DISHWASHER INTO CABINET

IMPORTANT – Do not push against the front panel with knees. Damage will occur.

- Grasp the sides of the front panel and slide the dishwasher into the opening a few inches at a time. Pull the drain hose and power cord, if equipped, through the holes in the adjacent cabinet while sliding the dishwasher into position.

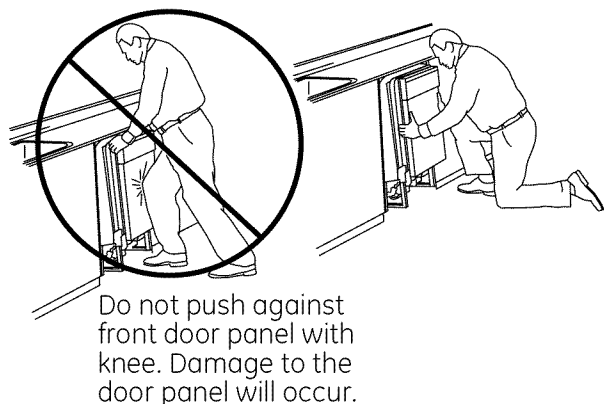


Figure Q

- Check the tub insulation blanket, if equipped, to be sure it is smoothly wrapped around the tub. It should not be “bunched up” and it must not interfere with the door springs. If the insulation is “bunched up” or interfering with the springs, straighten and re-center the blanket prior to sliding the dishwasher into its final position.
- Make sure the drain hose is not kinked under or behind the dishwasher.
- Make certain the house wiring, drain line, and water line do not interfere with components under the dishwasher.
- The dishwasher tub flange should be approximately 3/4" behind the face of the adjacent cabinet. Refer to Figure R.

Tip: Avoid unnecessary service charges for panel damage.

Do not press on the center of panel with hands or knees when sliding dishwasher into position.

STEP 12: POSITION AND LEVEL DISHWASHER

IMPORTANT – Dishwasher must be level for proper dish rack operation, wash performance, and door operation. The dishwasher must be leveled left to right and front to back. This assures that the dish racks will not roll in or out on their own, circulation water will flow to the pump inlet, and the door will close without hitting the side of the tub.

- Remove the lower dish rack and place a level on the door and lower rack track as shown in Figure R.

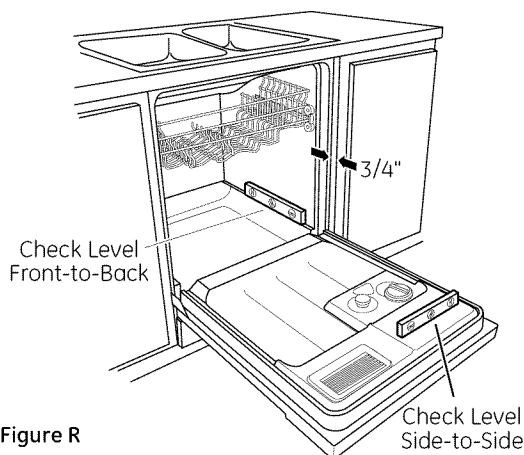


Figure R

- Adjust the level of the dishwasher by individually turning the four legs on the bottom of the dishwasher as illustrated in Figure S.

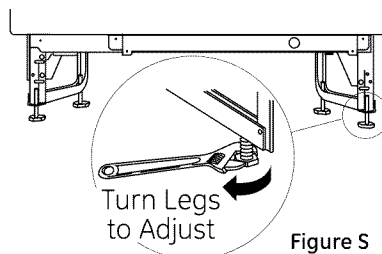


Figure S

- The dishwasher is properly leveled when the level indicator is centered left to right and front to back. The dishwasher door should close without hitting the sides of the tub.
- Replace the lower rack.

Tip: Avoid unnecessary service charges for poor wash performance and rack operation.

Pull the dish racks half way out. They should remain stationary. Open and close the door. The door should fit in the tub opening without hitting the side of the tub. If the racks roll on their own, or the door hits the side of the tub, re-level the dishwasher.

Dishwasher Installation

STEP 13: FASTEN DISHWASHER TO UNDERSIDE OF COUNTERTOP OR SIDES OF CABINET

In this step you will need the two 5/8" Phillips head wood screws set aside in Step 1.

IMPORTANT – Dishwasher must be centered in cabinet opening. Interference with cabinets or countertop will cause leaks and damage to the door panel and/or control panel.

- If countertop is wood or woodlike material, fasten the dishwasher to the countertop by driving the Phillips head screws through the countertop brackets and into the countertop.
- If the countertop is granite or similar material, drive Phillips screws through side mount brackets and into the adjacent cabinets.
- Make sure screws are driven straight and flush to prevent interference with door operation and damage to the control panel. See Figure T.

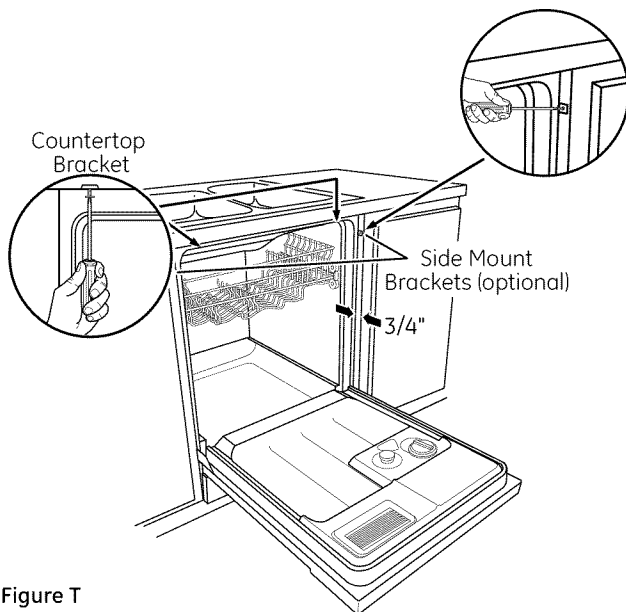


Figure T

Tip: Avoid unnecessary service charges for leaks or control panel damage.

Make sure the dishwasher is centered in the cabinet and the door opens and closes freely without hitting the adjacent cabinets. Drive mounting screws straight and flush.

STEP 14: CONNECT WATER SUPPLY

Connect the water supply line to the 90° elbow installed in Step 6.

- Slide the compression nut and then the ferrule over end of the water line.
- Insert the water line into the 90° elbow.
- Slide the ferrule against the elbow and secure with the compression nut.

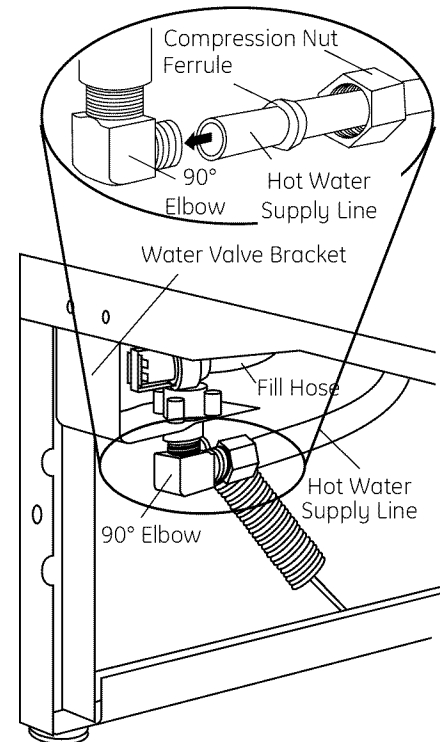


Figure U

IMPORTANT – Check to be sure the door spring does not rub or contact the fill hose or water supply line. Test by opening and closing the door. Re-route the water supply lines or slightly bend the water valve bracket if a rubbing noise or interference occurs.

Tip: Avoid unnecessary service charges for noise or leaks

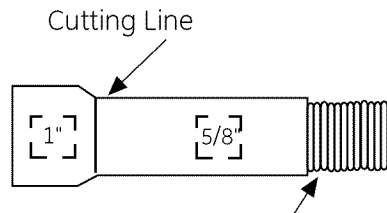
Make sure the door spring does not rub against the fill hose or water supply line.

Dishwasher Installation

STEP 15: CONNECT DRAIN LINE

The molded end of the drain hose will fit 5/8" through 1" diameter inlet ports on the air gap, waste tee or disposer.

- Determine the size of the inlet port
- Cut the drain hose connector on the marked line, if required, to fit the inlet port.



IMPORTANT: Do not cut corrugated portion of hose

Figure V

- If a longer drain hose is required, and you did not purchase the GPF10S drain hose, add up to 42" length, for a total of 120" (10 feet) to the factory installed hose. Use 5/8" or 7/8" inside diameter hose and a coupler to connect the two hose ends.

Secure the connection with hose clamps.

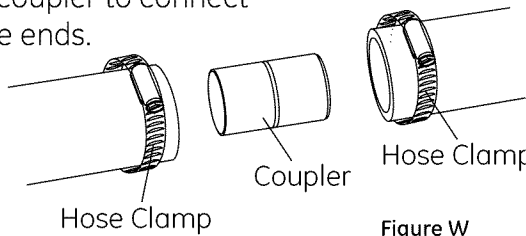


Figure W

IMPORTANT – Total drain hose length must not exceed 10 feet for proper drain operation.

- Connect drain line to air gap, waste tee, or disposer using the previously determined method. Secure the hose with a screw type clamp.

Method 1 – Air gap with waste tee or disposer

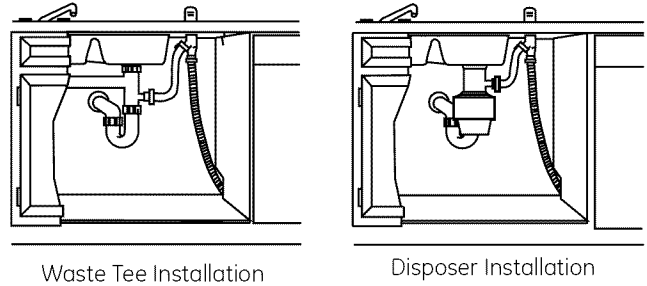


Figure X

Method 2 – "High drain loop" with waste tee or disposer

Fasten the drain hose to the underside of the countertop with a hanger.

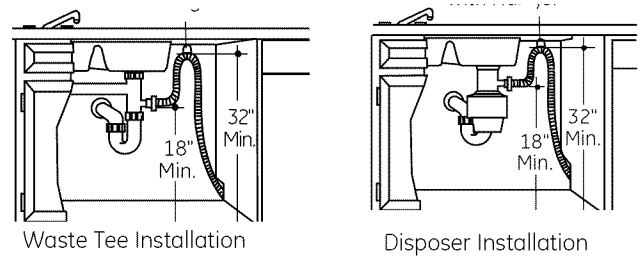
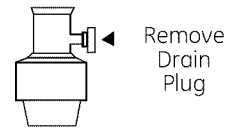


Figure Y

IMPORTANT – When connecting the drain line to a disposer, check to be sure that the drain plug has been removed. Dishwasher will not drain if plug is left in place.



Tip: Avoid unnecessary service call charges for a no drain complaint

Make sure any excess drain hose has been pulled through the cabinet opening. This will prevent excess hose in the dishwasher cavity from becoming kinked or crushed by the dishwasher. Make sure the disposer plug has been removed if the drain hose is connected to a disposer.

Dishwasher Installation

STEP 16: CONNECT POWER SUPPLY

If a power cord with plug is already installed, proceed to Step 17.



WARNING

If house wiring is not 2-wire with a ground wire, a ground must be provided by the installer.

When house wiring is aluminum, be sure to use U.L. listed anti-oxidant compound and aluminum-to-copper connectors.



ADVERTENCIA

Si el cableado de la casa no es de 2 cables con un cable de conexión a tierra, el instalador debe suministrar una conexión a tierra. Cuando el cableado de la casa es en aluminio, cerciórese de usar un compuesto ti-oxidante aprobado por U.L. y un compuesto de aluminio a cobre.

- Secure house wiring to the back of the junction box bracket with a strain relief.
- Locate the three dishwasher wires, (white, black and green) with stripped ends. Insert dishwasher wires through the small hole in the junction box bracket. Use UL listed wire nuts of appropriate size to connect incoming ground to green, white to white and black to black.

Note: Check that harness leads are threaded through small hole in bracket

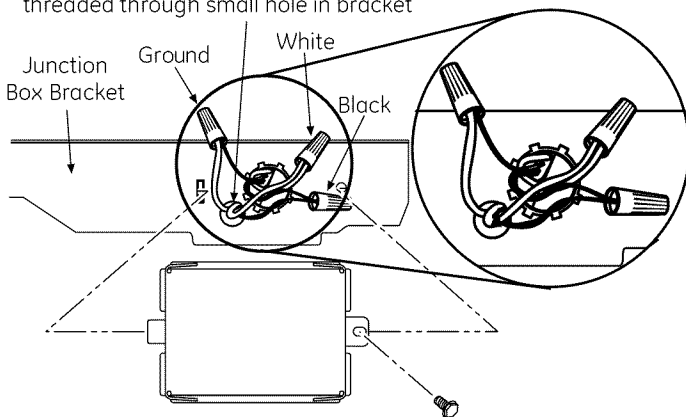


Figure 2

STEP 17: INSTALL JUNCTION BOX COVER

If junction box cover is already installed, skip to Step 18.

In this step you will need the junction box cover and the #10 hex head screw from the screw kit set aside in Step 1.

- Install the junction box cover using the #10 hex head screw. Check to be sure that wires are not pinched under the cover.

STEP 18: PRE-TEST CHECK LIST

- Verify that power is turned off at the source.
- Open the dishwasher door and remove all foam and cardboard packaging.
- Read the Owner's Manual to familiarize yourself with the operation of the dishwasher.
- Check to be sure that the wiring is secure under the dishwasher, and not pinched or in contact with door springs or other dishwasher components.
- Check that the door spring does not contact the water line, fill hose, or adjacent cabinets. See Steps 13 and 14
- Pull lower rack about halfway out. Check to be sure it does not roll back into dishwasher or further out. If it does, re-level the dishwasher. See Step 12
- Check to be sure control panel does not touch adjacent cabinets. If it does, reposition the dishwasher. See Step 13
- Turn on the hot water faucet at the sink to verify that the water temperature is at least 120°F and not more than 150°F. Adjust water heater if necessary.
- Add two quarts of water to the bottom of the dishwasher to lubricate the pump seal.
- Turn on water supply.
- Check for water leaks. Tighten connections if necessary. See Step 14
- Remove the protective film if present from the control panel, access panel and door panel.

Dishwasher Installation

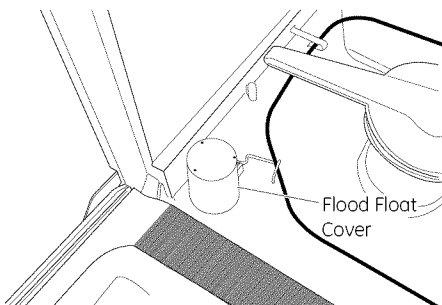
STEP 19: DISHWASHER WET TEST CHECK LIST

- Turn on power supply or if power cord is used, plug it into the wall outlet.
- Latch dishwasher door.
- Press the "Normal" pad, and then turn control dial just enough to start dishwasher. Be careful not to turn the dial past the first water fill. Dial should point to "Hot Start Option".

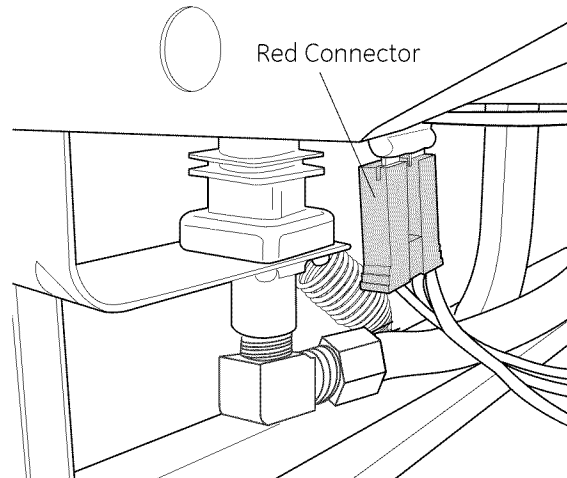


Appearance varies by model.

- Check to be sure that water enters the dishwasher. This could take up to 4 minutes. If water does not enter the dishwasher try the following to correct the problem:
 - Check to be sure that the water is turned on
 - Lightly tap the flood float cover to dislodge a stuck flood float.



- Check the electrical connection to the water valve. The red electrical connector should be plugged into the dishwasher water valve. If it is not plugged in, turn off electrical power to the dishwasher. Plug the red connector into the dishwasher water valve and then restore power.



- Check for leaks under the dishwasher. If a leak is found, turn off power, tighten connections and restore power.
- Check for leaks around the door. A leak around the door could be caused by the dishwasher door rubbing or hitting adjacent cabinets. Reposition the dishwasher if necessary. See Steps 11, 12 and 13.
- Most dishwasher models will drain about 3 minutes after the first fill. Check the drain line for leaks when dishwasher drains. If leaks are found, turn off power, correct as necessary and then restore power.
- Open the dishwasher door and make sure most of the water has drained. If the water does not drain, check to be sure disposer plug has been removed and/or air gap is free of debris.
- Let the dishwasher run through another fill and drain cycle. Check again to be sure there are no leaks.
- At the end of the second drain, unlatch the door and rotate the dial to the "OFF" position.

Dishwasher Installation

STEP 20: REPLACE ACCESS PANEL AND TOEKICK

In this step you will need the panels and the two screws set aside in Step 4.

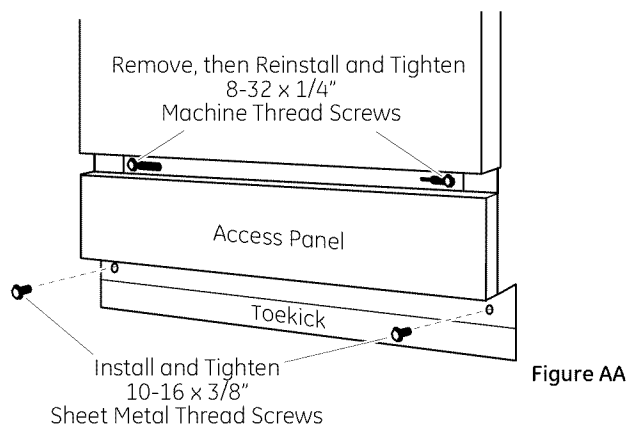
There are two types of screws used. The 8-32 x 1/4" screws are used at the top of the access panel and should still be in place. The 10-16 x 3/8" screws are used at the bottom of the access panel and secure both the access panel and toekick.

IMPORTANT – Screws are not interchangeable. To prevent damage to your dishwasher, use the proper screw in the proper location. Do not mix screw types or lengths.

- Place the toekick against the legs of the dishwasher.
- Remove the two 8-32 x 1/4" machine thread screws.
- Align the access panel to the dishwasher.
- Select the two 8-32 x 1/4" machine thread screws just removed and insert them through the top holes in the access panel and into the dishwasher frame.
- Tighten these screws.
- Align the toekick and make sure the bottom edge is against the floor.
- Insert and tighten the two 10-16 x 3/8" sheet metal thread screws, making sure the bottom edge of the toekick stays in contact with the floor.

STEP 21: LITERATURE

- Leave the Owners' Manual, Installation Instructions, samples, and/or coupons with consumer.



Tip: Prevent tub damage and reduce sound from under the dishwasher

Use the machine thread screws in the top holes and the sheet metal thread screws in the bottom holes. Make sure the toekick is against the floor.

SPECIFICATIONS SUBJECT TO CHANGE WITHOUT NOTICE



GE Consumer & Industrial
General Electric Company
Louisville, Kentucky 40225

GEAppliances.com

Pub. No. 31-30271
Dwg. No. 206C1559P177
ND 06M-2101 (1/07)

Notice d'installation

Lave-vaisselle Spacemaker®

En cas de questions, appeler le 800.GE.CARES (800.432.2737) ou rendre visite à notre site web : www.GEAppliances.com



AVANT DE COMMENCER

Lire cette notice d'installation en entier et avec soin.

IMPORTANT – Respecter tous les codes et règlements en vigueur.

- **Remarque à l'intention de l'installateur :** Laisser cette notice pour le client et l'inspecteur local.
- **Remarque à l'intention du consommateur :** Ranger cette notice avec le Guide d'utilisation pour consultation ultérieure.
- **Niveau de compétence :** L'installation de ce lave-vaisselle requiert des compétences mécaniques, électriques et de plomberie élémentaires. **L'installateur est responsable de l'installation correcte. La garantie des appareils ménagers GE ne couvre pas une défaillance de produit causée par une installation incorrecte. Se reporter aux informations dans la garantie.**
- **Durée d'installation :** De 1 à 3 heures. L'installation initiale requiert plus de temps que l'installation d'un appareil de remplacement.
- **Caractéristiques nécessaires de l'évier :** Le lave-vaisselle Spacemaker® est conçu pour être installé sous un évier spécial peu profond. Ce type d'évier est offert en trois modèles différents : le GPF95, un évier simple avec le trou de vidange au côté droit de l'évier ; le GPF96, un évier simple avec le trou de vidange au côté gauche de l'évier ; le GPF97, un double évier. Ces éviers sont en vente chez les distributeurs agréés d'appareils ménagers GE.

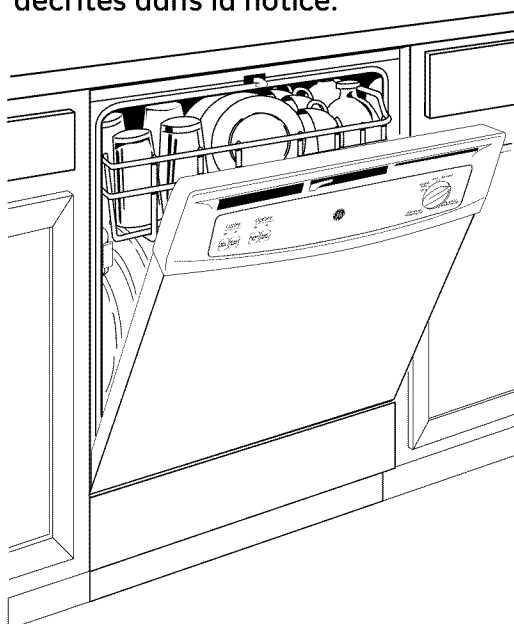
IMPORTANT – Le lave-vaisselle DOIT être installé de manière à permettre la dépose ultérieure de l'enceinte pour toute intervention ultérieure.

Prendre immédiatement contact avec le distributeur ou l'entrepreneur de construction si le lave-vaisselle livré est endommagé.

Accessoires en option – Consulter la liste de panneaux sur mesure dans le Manuel de l'utilisateur.

SÉCURITÉ

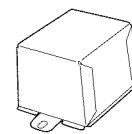
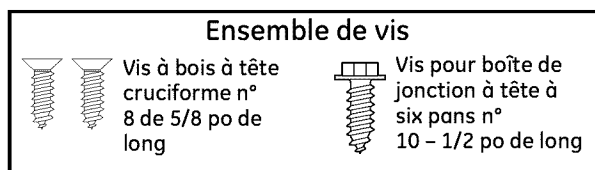
Lire et observer tous les avertissements (PRUDENCE et ATTENTION) de cette notice. Toujours porter des gants et des lunettes de sécurité en exécutant les procédures d'installation décrites dans la notice.



**LIRE ATTENTIVEMENT.
IL FAUT GARDER CES INSTRUCTIONS.**

PIÈCES FOURNIES DANS LE NÉCESSAIRE D'INSTALLATION

- Deux (2) vis à bois à tête cruciforme n° 8-18 de 5/8 po
- Un couvercle de boîte de jonction et une vis à tête à six pans n° 10
- Tuyau de vidange de 198 cm (78 po) et collier de tuyau
- Documentation, échantillons et/ou coupons de réduction



Couvercle de boîte de jonction



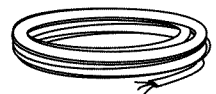
Tuyau de vidange de 198 cm (78 po)



Collier de tuyau

MATÉRIAUX REQUIS

- Cordon électrique WX09X70910 si requis pour l'installation
- Trois (3) serre-fils homologués UL
- Ruban d'étanchéité pour joints filetés
- Coude à angle droit, bague et écrou de compression (filetage externe de 3/8 po à une extrémité, l'autre extrémité étant dimensionnée pour s'adapter à l'alimentation en eau)
- Kit de support à montage latéral GPF65 pour les plans de travail en granite



Câble électrique ou cordon d'alimentation WR09X70910



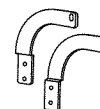
3 serre-fils



Ruban d'étanchéité de filet



Coude à angle droit, bague et écrou de compression



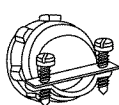
Kit de support à montage latéral GPF65



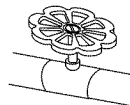
Conduite d'eau en cuivre de 3/8 po minimum

POUR LES NOUVELLES INSTALLATIONS

- Câble électrique
- Conduite d'eau en cuivre de MINIMUM 3/8 po
- Réducteur de tension pour branchement électrique
- Robinet d'arrêt manuel (recommandé)
- Intervalle d'air pour le tuyau de vidange, si nécessaire
- Té de vidage pour la plomberie de la maison, si nécessaire
- Colliers de tuyau à vis
- Évier GPF95, GPF96 ou GPH97 en acier inoxydable



Réducteur de tension



Robinet d'arrêt



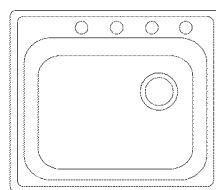
Intervalle d'air



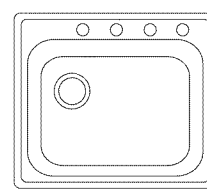
Té de vidage



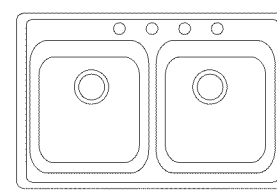
Colliers de tuyau à vis



Évier GPF95 en acier inoxydable



Évier GPF96 en acier inoxydable



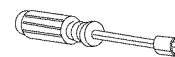
Évier GPF97 en acier inoxydable

OUTILS REQUIS

- Lunettes de sécurité
- Tournevis à douille de 1/4 po et 5/16 po
- Lampe de poche
- Gants
- Clé à molette de 15 cm (6 po)
- Tournevis à tête cruciforme
- Clé à douille de 15/16 po
- Mètre ruban
- Niveau
- Équerre de menuisier
- Seau pour attraper l'eau vidangée du tuyau
- Coupe-tube



Lunettes de sécurité



Tournevis à douille de 1/4 po et de 5/16 po



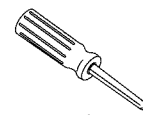
Lampe de poche



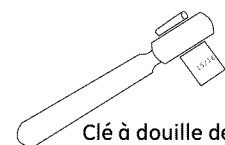
Gants



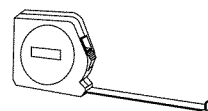
Clé à molette



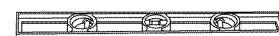
Tournevis cruciforme



Clé à douille de 15/16 po



Mètre ruban

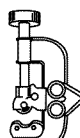


Niveau

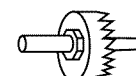
Équerre de menuisier



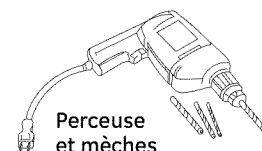
Bucket



Coupe-tube



Scie cloche

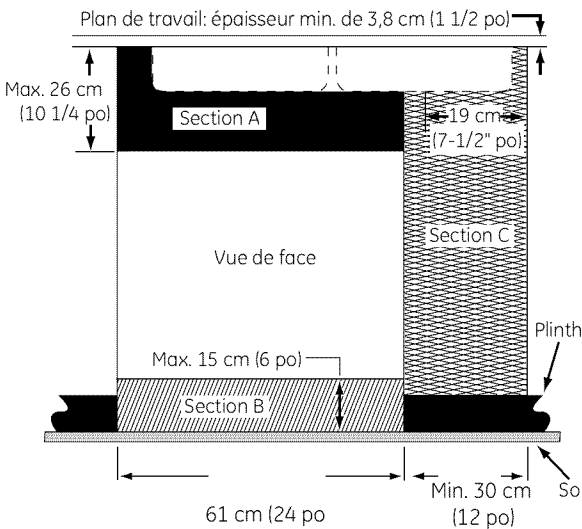


Perceuse et mèches appropriées

Préparation pour l'installation - Enceinte

PRÉPARATION DE L'ENCEINTE DU LAVE-VAISSELLE ET DE L'EMPLACEMENT DE L'ÉVIER

- Installer les tuyaux d'alimentation d'eau et de vidange de l'évier dans la section A.
- Installer le tuyau d'eau chaude vers le lave-vaisselle dans la section B.
- Installer le broyeur de déchets, les tuyaux d'alimentation d'eau du robinet, le siphon, l'intervalle d'air et le robinet d'arrêt de l'eau dans une armoire large de 30 cm (12 po), la section C.



- Le diamètre de l'ouverture du broyeur de déchets dans l'évier doit être de 19 cm (7 1/2 po), comme indiqué à la section C. Ceci permet d'installer le broyeur et la plomberie dans la section C avec un évier soit simple, soit double. Se reporter à la figure A ci-dessous et à la figure F1 à la page 6.

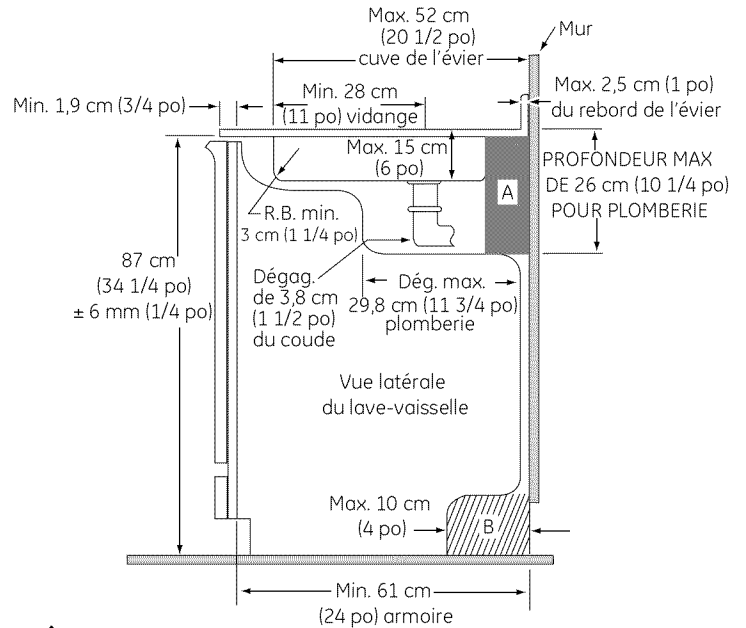



Figure A

PRÉPARATION DE L'ARMOIRE POUR L'INSTALLATION DE L'ÉVIER

ATTENTION Pour réduire le risque de choc électrique, d'incendie ou de blessures, l'installateur doit s'assurer que le lave-vaisselle est entièrement enclos au moment de l'installation.



- L'ouverture de l'armoire doit avoir une largeur et une profondeur d'au moins 61 cm (24 po) et une hauteur de 87 cm + 0.6 cm (34 1/4 po + 1/4 po).
- Ce lave-vaisselle s'encastre sous un évier spécial d'une profondeur de maximum 15 cm (6 po) dans un plan de travail de 3,8 cm (1 1/2 po).

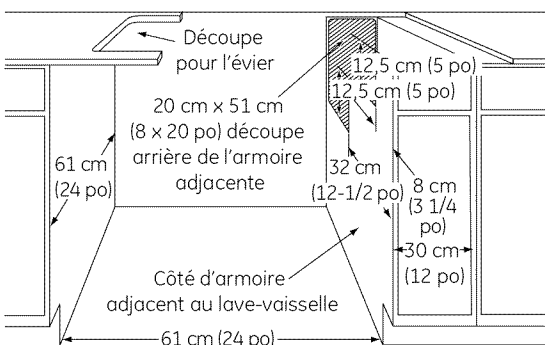
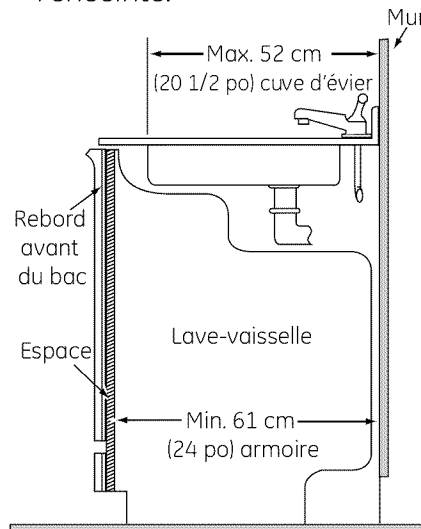


Figure B

- Le lave-vaisselle doit être entièrement enclos sur le haut, les côtés et l'arrière.
- Le lave-vaisselle ne peut toucher aucune partie de l'enceinte.



Remarque. - Il peut y avoir un espace entre le rebord avant du bac du lave-vaisselle et l'avant de l'armoire si la profondeur de l'armoire est moins de 61 cm (24 po) ou si la cuve d'évier n'a pas été installée selon les directives.

Si l'espacement est de plus de 2 cm (3/4 po), il faut déplacer la cuve d'évier pour qu'elle s'accorde aux dimensions indiquées.

Préparation pour l'installation - Vidange

PRÉPARATION DE LA PLOMBERIE DE VIDANGE

Exigences de vidange

- Respecter les codes et règlements locaux.
- Le tuyau de vidange ne peut pas être plus de 3 m (10 pi) de long.
- Une boucle de vidange élevée ou un intervalle d'air est requis. Voir ci-dessous.

Méthode de vidange

Le type d'installation de vidange est lié aux conditions suivantes :

- Est-ce que les codes ou règlements locaux exigent un intervalle d'air ?
- Est-ce que le té de vidage se trouve à moins de 46 cm (18 po) du sol ?

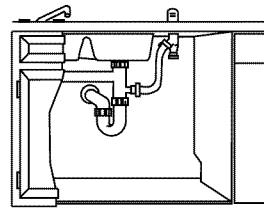
Si la réponse à une de ces questions est OUI, il faut utiliser un intervalle d'air (méthode n° 1). Si la réponse est NON aux deux questions, il faut utiliser soit un intervalle d'air, soit une boucle de vidange élevée (méthode 2).



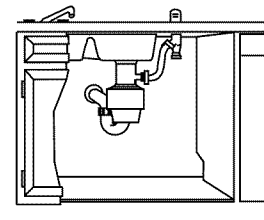
PRUDENCE

Il FAUT utiliser un intervalle d'air si le raccord du tuyau de vidange au té de vidage ou au broyeur de déchets est à moins de 46 cm (18 po) du niveau du sol. Le lave-vaisselle risque de ne pas se vidanger correctement et de s'endommager si le raccord de vidange n'est pas à la bonne hauteur avec un intervalle d'air ou une boucle de vidange élevée de minimum 81 cm (32 po).

MÉTHODE 1 – Intervalle d'air avec té de vidage ou broyeur de déchets



Installation avec té de vidage

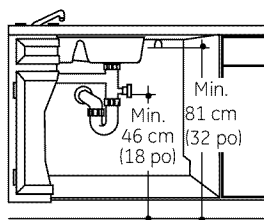


Installation avec broyeur de déchets

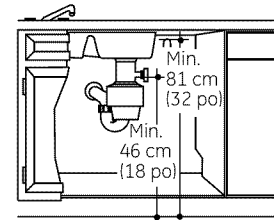
Figure C

MÉTHODE 2 – Boucle de vidange élevée avec té de vidage ou broyeur de déchets

Trouver un moyen d'attacher le tuyau de vidange au-dessous du plan de travail. Ceci sera accompli à une étape ultérieure.



Installation avec té de vidage



Installation avec broyeur de déchets

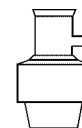
Figure D

Installer le té de vidage ou le broyeur et l'intervalle d'air selon les directives du fabricant.

Préparation de l'armoire

Percer un trou de 38 mm (1 1/2 po) dans la paroi de l'armoire dans la zone hachurée indiquée à la figure E pour le passage du tuyau de vidange. Vérifier que les bords du trou sont lisses. Dans une étape ultérieure, il faut glisser le tuyau de vidange au travers du trou pour le raccorder au drain.

IMPORTANT – Pendant le raccord du tuyau de vidange au broyeur de déchets, vérifier que le bouchon de vidange a été enlevé. Le lave-vaisselle ne peut pas se vider avec le bouchon en place.




Enlever le bouchon de vidange

Préparation pour l'installation – alimentation électrique

PRÉPARATION POUR LE BRANCHEMENT ÉLECTRIQUE

ATTENTION



SÉCURITÉ : Enlever les fusibles ou débrancher le disjoncteur de la maison avant de commencer l'installation. Ne pas utiliser une rallonge ou un adaptateur de prise avec cet appareil.

Alimentation électrique

- Cet appareil doit avoir une alimentation électrique de 120 V, 60 Hz et être branché sur un circuit indépendant correctement mis à la terre et protégé par un disjoncteur de 15 ou 20 A ou un fusible temporisé.
- Le câblage doit être à deux fils plus un fil de mise à terre.
- Si l'alimentation électrique n'est pas conforme à ces conditions, appeler un électricien agréé avant de continuer.


Mise à la terre – raccord permanent

Cet appareil doit être raccordé de façon permanente à un réseau de fils métalliques mis à terre ou il faut installer un fil de mise à terre avec les fils d'alimentation. Ce fil doit être branché à la borne de terre de l'équipement ou à un fil sur l'appareil.

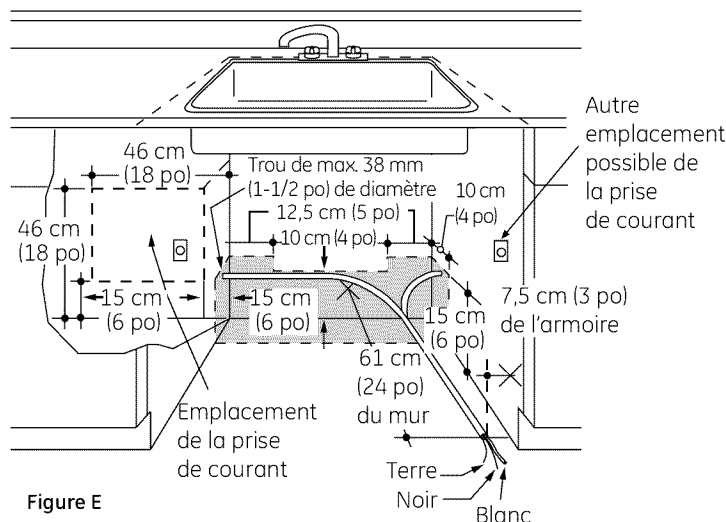
Instructions de mise à la terre – modèles à cordon d'alimentation

Cet appareil doit être mis à la terre. En cas de mauvais fonctionnement ou de panne, la mise à la terre réduit le risque de choc électrique en fournissant un passage de moindre résistance au courant électrique. L'appareil est équipé d'un cordon à conducteur de mise à la terre et une fiche de terre. Il faut brancher la fiche sur une prise appropriée qui a été installée et mise à la terre conformément aux codes et règlements locaux.

ATTENTION



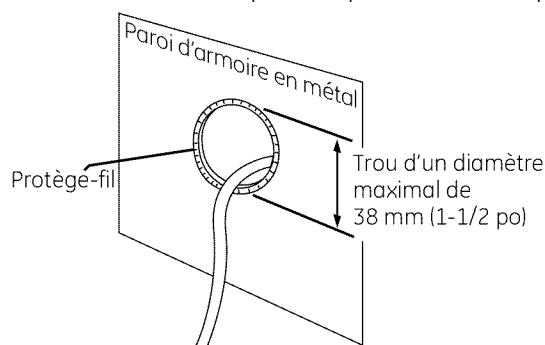
Un branchement incorrect du conducteur de mise à la terre peut causer des chocs électriques. En cas de doute sur la mise à la terre de l'appareil, consulter un électricien agréé ou un réparateur. Ne pas modifier la fiche fournie avec l'appareil. Si la fiche ne correspond pas à la prise, faire installer une prise appropriée par un électricien qualifié.



Préparation de l'armoire et du passage des fils

- Les fils doivent entrer dans la cavité d'un côté ou de l'autre, de l'arrière ou du sol dans la zone hachurée indiquée à la figure E.
- Couper un trou d'un diamètre maximal de 3,8 cm (1 1/2 po) pour permettre le passage des fils d'alimentation électrique. Le câble de branchement direct peut passer dans le même trou que le tuyau de vidange et le tuyau d'eau chaude si c'est plus pratique. Les rebords du trou doivent être lisses et arrondis. Si la paroi de l'armoire est en métal, recouvrir les rebords du trou pour protéger les fils.

REMARQUE. - Un cordon d'alimentation muni d'une fiche doit passer par un trou séparé.



Branchement électrique du lave-vaisselle

Le branchement électrique se fait à l'avant droit du lave-vaisselle.

- Pour les branchements permanents, acheminer le câble tel indiqué à la figure E. Le câble doit s'étendre au moins 61 cm (24 po) de la paroi arrière.
- En cas de branchement avec un cordon d'alimentation, installer une prise à trois broches sur la paroi arrière de l'armoire adjacente de 15 cm à 46 cm (6 po à 18 po) de l'ouverture et de 15 cm à 46 cm (6 po à 18 po) au-dessus du sol, tel illustré à la figure E.

Préparation pour l'installation – Alimentation d'eau chaude

PRÉPARATION DE L'ALIMENTATION D'EAU CHAUDE

Tuyau d'eau chaude

- Le tuyau peut entrer d'un côté ou de l'autre, de l'arrière ou du sol dans la zone hachurée indiquée à la figure F.
- Le tuyau peut passer par le même trou que le câble électrique et le tuyau de vidange. Une alternative est de couper un trou séparé d'un diamètre de 3,8 cm (1 1/2 po) pour accommoder le tuyau d'eau. Le tuyau d'eau ne peut pas passer par le trou du cordon d'alimentation si ce cordon est muni d'une fiche.

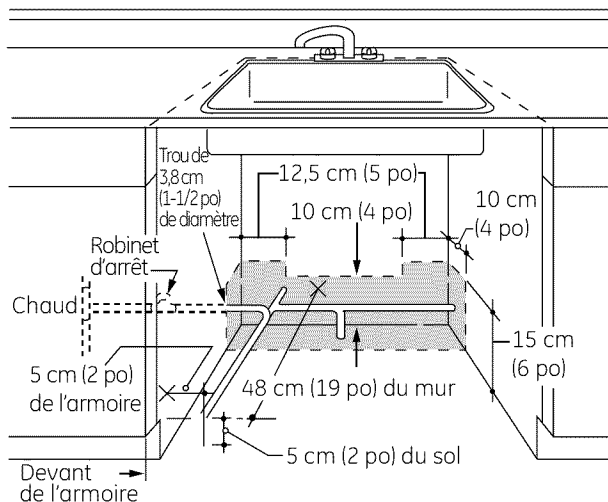


Figure F

Branchement du tuyau d'eau

- Couper l'alimentation d'eau.
- Installer un robinet d'arrêt manuel dans un endroit accessible. (En option, mais fortement recommandé et peut être exigé par les codes locaux.)
- La conduite d'eau se branche au côté gauche du lave-vaisselle. Installer la conduite d'alimentation d'eau chaude avec un tuyau en cuivre de minimum 9 mm (3/8 po). Acheminer la conduite tel illustré à la figure F et l'amener à un minimum de 48 cm (19 po) du mur arrière.
- Régler le chauffe-eau pour que l'eau sorte à une température de 49 à 65 °C (120 à 150 °F).
- Purger la conduite d'eau pour éliminer tous les débris. Laisser couler l'eau et les débris dans un seau.
- La pression de la conduite d'alimentation d'eau chaude doit être entre 1,4 et 8.3 bar (20 et 120 psi).



PRUDENCE

La pression de la conduite d'alimentation d'eau chaude doit être d'au moins 1,4 bar (20 psi). Une pression plus faible risque de causer une fuite dans le robinet et des dégâts causés par l'eau.

Branchement des conduites de l'évier

Les conduites d'eau chaude et froide de l'évier et le tuyau de vidange de l'évier doivent être installés au-dessus et à côté du lave-vaisselle et non derrière le lave-vaisselle. Se reporter aux zones A et C de la figure A à la page 3 et à la figure F1 ci-dessous. Ceci est nécessaire pour laisser suffisamment de dégagement au lave-vaisselle au cours de son installation dans l'armoire. Les conduites installées directement derrière le lave-vaisselle risquent d'entraver le placement du lave-vaisselle dans l'armoire et de le pousser au-delà des armoires adjacentes.

La figure F1 montre une installation à double évier, broyeur de déchets et boucle de vidange élevée.

Remarque. - Toutes les conduites se trouvent au-dessus, en dessous ou à côté du lave-vaisselle. Aucune conduite n'a été installée derrière l'appareil.

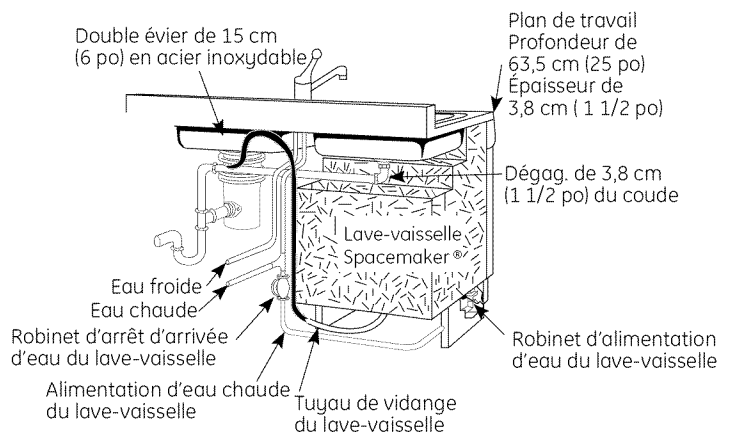


Figure F1

Installation du lave-vaisselle



PRUDENCE

Ne pas enlever la palette en bois avant d'être prêt à installer le lave-vaisselle. Le lave-vaisselle bascule lorsque la porte est ouverte sans la base.

ÉTAPE 1 : PRÉPARATION

Trouver les pièces suivantes dans le kit d'installation et les mettre de côté aux fins d'utilisation aux étapes indiquées.

- Ensemble de vis – étapes 5 ou 16 et 13
- Couvercle de boîte de jonction – étape 5 ou 16
- Tuyau de vidange et collier de tuyau – étape 7
- Manuel de l'utilisateur – étapes 18 et 21
- Échantillons et/ou coupons de réduction – étape 21

ÉTAPE 2 : VÉRIFICATION DE L'ÉQUILIBRE DE LA PORTE

- En laissant le lave-vaisselle sur la palette en bois, ouvrir et fermer la porte pour vérifier son équilibre.
- La porte est correctement équilibrée lorsqu'elle s'affaisse légèrement en position mi-ouverte et ne s'élève pas en position entièrement ouverte.
- Si nécessaire, augmenter ou diminuer la tension, tel illustré. Fermer la porte et ajuster les ressorts pour corriger l'équilibre.

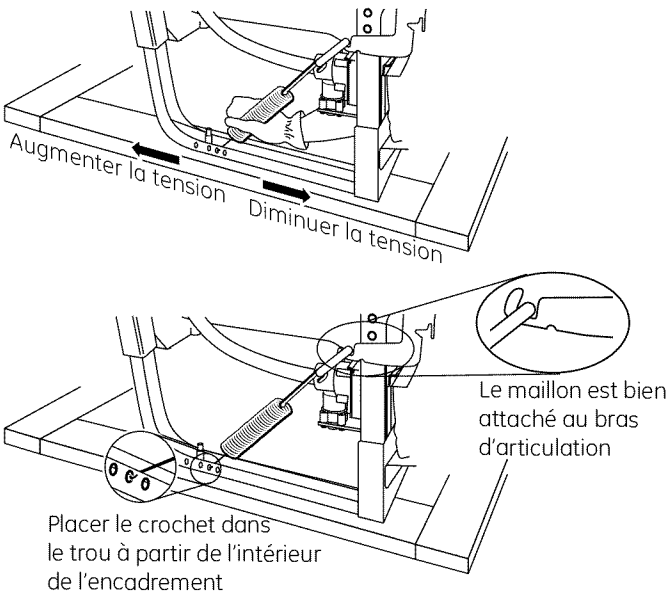


Figure G

Conseil pour éviter des frais d'intervention inutiles pour un problème d'équilibre de porte.

Vérifier que l'extrémité du ressort est entièrement engagée dans le trou de l'encadrement et le maillon du ressort est solidement attaché au bras d'articulation.

ÉTAPE 3 : DÉPOSE DE LA PALETTE EN BOIS

IMPORTANT – Ne pas enlever la palette en donnant des coups de pied ! Ceci risque d'endommager le lave-vaisselle.

- Emmener le lave-vaisselle proche du lieu de son installation et le basculer sur le dos.
- Enlever les quatre pieds de mise à niveau de dessous de la palette avec une clé à douilles de 15/16 po.
- Enlever et jeter la palette en bois.

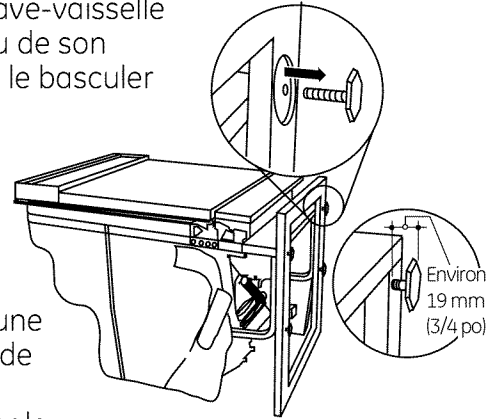


Figure H

- Visser de nouveau les pieds de mise à niveau dans le cadre du lave-vaisselle jusqu'à environ 1,9 cm (3/4 po) du cadre, tel illustré.

ÉTAPE 4 : DÉPOSE DU PANNEAU D'ACCÈS ET DE LA PLINTHE

Les trous de montage supérieurs du panneau d'accès sont munis d'une fente.

- Enlever les deux vis autotaraudeuses inférieures 10-16 de 3/8 po. Laisser en place les deux vis à filetage usiné supérieures 8-32 de 1/4 po.
- Glisser le panneau d'accès tout à fait vers la gauche.
- Pousser doucement le panneau d'accès vers l'avant pour le dégager des vis supérieures. Mettre le panneau d'accès, la plinthe et les vis de côté en vue d'utilisation à l'étape 20.

Conseil pour éviter d'endommager le bac.

Au cours de cette étape, n'enlever que les vis autotaraudeuses de 3/8 po. Ceci évitera de les confondre avec les vis à filetage usiné de 1/4 po à l'étape 20.

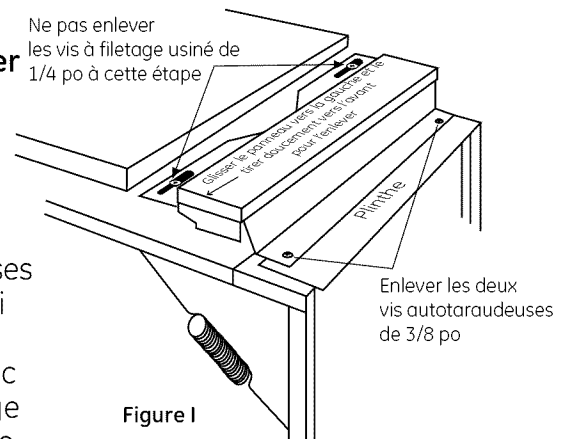


Figure I

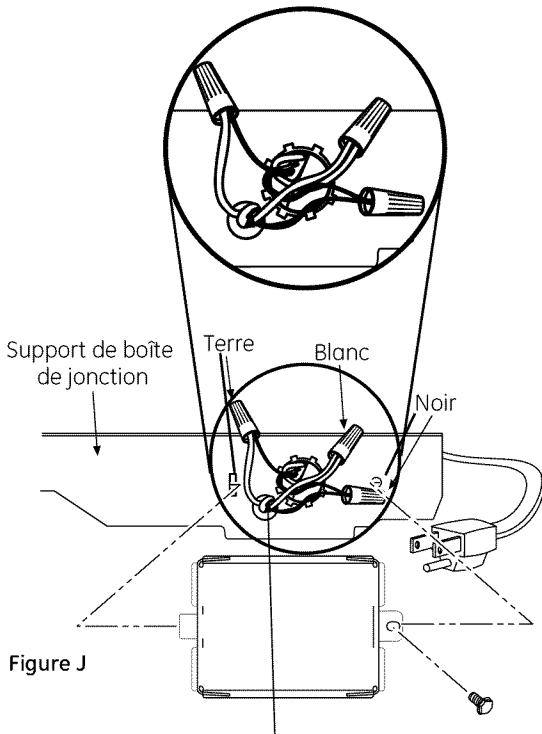
Installation du lave-vaisselle

ÉTAPE 5 : INSTALLATION DU CORDON ÉLECTRIQUE

Ignorer cette étape si le lave-vaisselle doit être branché de manière permanente sur le circuit électrique de la maison ou s'il est muni d'un cordon d'alimentation installé en usine.

À cette étape, trouver le couvercle de la boîte de jonction et la vis n° 10 de 1/2 po à tête à six pans mis de côté à l'étape 1.

Le cordon d'alimentation et les raccords doivent être conformes à la section 422 du Code national de l'électricité et aux codes et règlements locaux. La longueur maximale du cordon est de 2 mètres (6 pi). Le kit de cordon d'alimentation WX09X70910, en vente chez les distributeurs agréés d'appareils ménagers GE, satisfait à ces critères.



- Installer le réducteur de tension sur le support de la boîte de jonction.
- Glisser le cordon électrique au travers du réducteur de tension et serrer.
- Vérifier que les fils noir, blanc et vert du lave-vaisselle passent au travers du petit trou du support de boîte de jonction.
- Raccorder le fil d'alimentation blanc (ou à nervures) au fil blanc du lave-vaisselle, le fil noir (ou lisse) au fil noir du lave-vaisselle et la vis de masse au fil vert du lave-vaisselle. Utiliser des serre-fils homologués UL de taille appropriée.
- Installer la boîte de jonction avec la vis à tête à six pans n° 10. Vérifier que le couvercle ne pince pas les fils.

ÉTAPE 6 : INSTALLATION DU COUDE À ANGLE DROIT

- Envelopper un coude à angle droit de ruban d'étanchéité de filet.
- Serrer le coude à angle droit sur la vanne.
- Ne pas trop serrer le coude pour éviter de tordre le support de la vanne ou de briser le raccord de la vanne.
- Placer l'extrémité du coude face à l'arrière du lave-vaisselle.

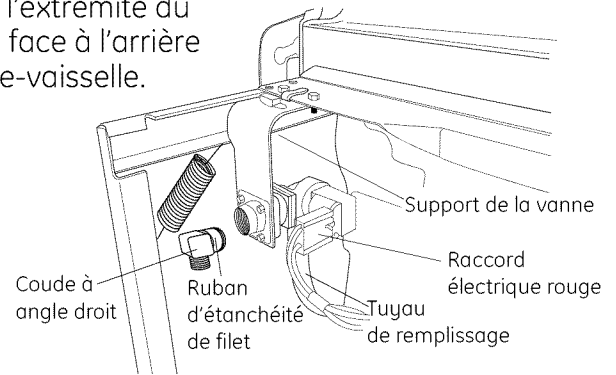


Figure K

ÉTAPE 7 : RACCORDEMENT DU TUYAU DE VIDANGE AU PORT DE VIDANGE DU LAVE-VAISSELLE

Sauter cette étape si le tuyau de vidange a été installé en usine.

Dans cette étape, il faut utiliser le tuyau de vidange et le collier mis de côté à l'étape 1.

IMPORTANT – Prévenir les dommages infligés au tuyau de vidange et les fuites éventuelles. Prendre soin de ne pas entailler ou couper le tuyau de vidange.

- Acheminer le bout étroit du tuyau de vidange du côté gauche du lave-vaisselle au travers du réducteur de tension attaché au cadre du lave-vaisselle et vers le centre du lave-vaisselle, tel illustré par les figures L et M.
- Placer le collier de tuyau par-dessus le bout étroit du tuyau de vidange.
- Pousser le bout étroit du tuyau de vidange par-dessus le port de vidange du collecteur en prenant soin de bien le placer contre le cran d'arrêt du tuyau.
- Serrer le collier à un couple d'au moins 15 pouces-livres.

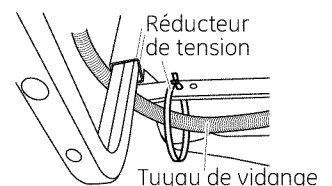


Figure L

Installation du lave-vaisselle

Remarque. - Le tuyau de vidange fourni avec le lave-vaisselle est environ 2 mètres de long (78 po). Si nécessaire, un tuyau de 3 mètres (10 pi) est disponible chez les distributeurs agréés d'appareils ménagers GE. Le tuyau de 3 m porte le numéro de pièce **GPF10S**.

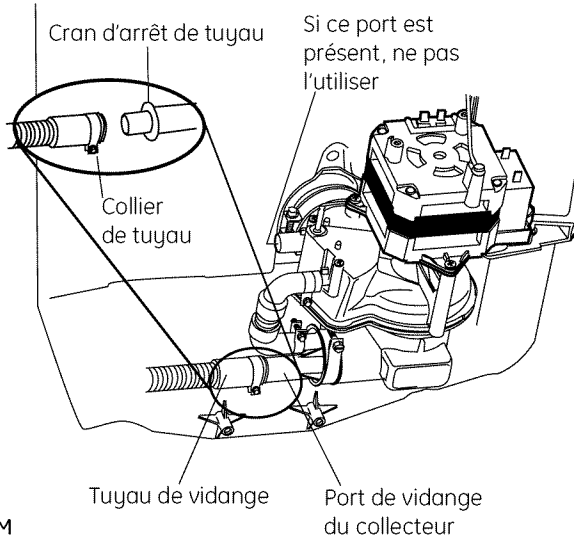


Figure M

Conseil pour éviter les frais d'intervention inutiles pour des problèmes de vidange.

Vérifier que le raccord du tuyau de vidange ne fuit pas et que le tuyau est acheminé au travers du réducteur de tension de manière à ne pas se plier lors de l'installation du lave-vaisselle dans l'armoire.

ÉTAPE 8 : MISE EN PLACE DU TUYAU D'EAU ET DE L'ALIMENTATION ÉLECTRIQUE

- Placer le tuyau d'eau et le câblage de la maison sur le sol de l'ouverture pour éviter d'entraver la base du lave-vaisselle et les composants sous le lave-vaisselle.

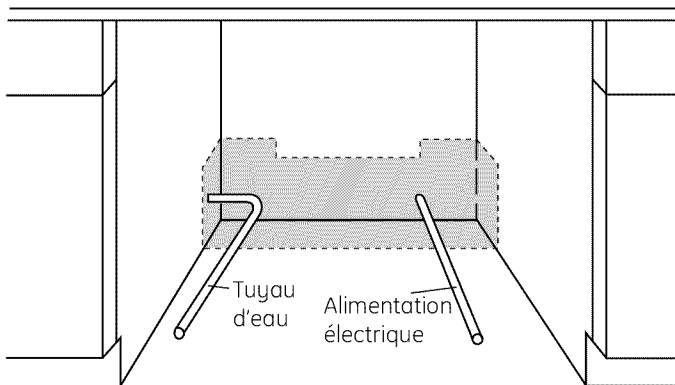


Figure N

ÉTAPE 9 : INSERTION DU TUYAU DE VIDANGE ET, LE CAS ÉCHÉANT, DU CORDON ÉLECTRIQUE AU TRAVERS DE L'ARMOIRE

- Redresser le lave-vaisselle et le placer devant l'ouverture de l'armoire.
- Glisser le tuyau de vidange dans le trou foré précédemment dans la paroi de l'armoire.
- En cas d'utilisation d'un cordon électrique, glisser le bout du cordon au travers du trou spécifiquement découpé pour le cordon.

Acheminer le cordon électrique directement vers l'arrière de la boîte de jonction en évitant tout contact avec le ressort de la porte et d'autres parties du lave-vaisselle.

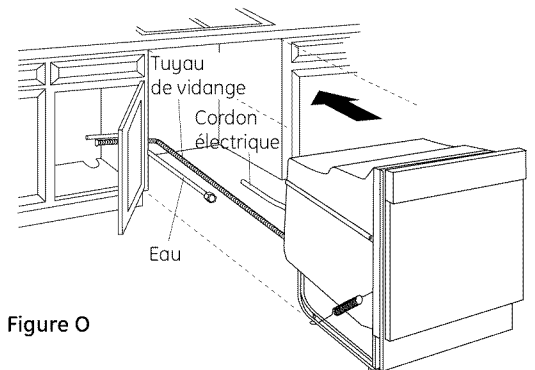


Figure O

Conseil pour éviter les frais d'intervention inutiles pour un remplissage ou une vidange incorrecte ou des problèmes de bruit.

Placer le tuyau et le cordon de manière à ce qu'ils n'entravent rien en dessous ou derrière le lave-vaisselle.

ÉTAPE 10 : INSTALLATION DES SUPPORTS DE MONTAGE LATÉRAL OPTIONNELS GPF65

Sauter cette étape si le dessous du plan de travail est en bois ou une matière similaire.

- Acheter et installer le kit de support de montage latéral si le dessous du plan de travail est en granite ou matière similaire qui n'accepte pas les vis à bois. Le kit **GPF65** est en vente chez les distributeurs agréés d'appareils ménagers GE.
- Se reporter à la figure P et suivre les indications du kit.

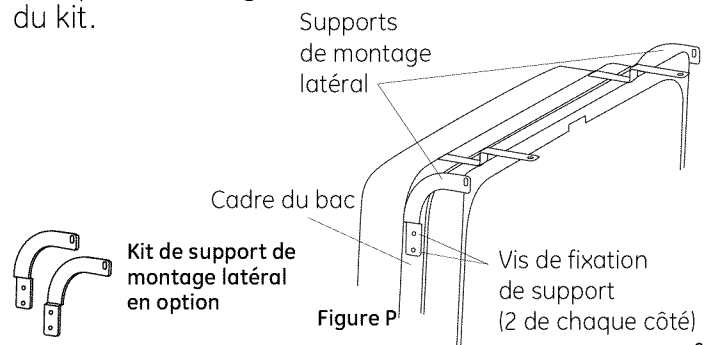


Figure P

Installation du lave-vaisselle

ÉTAPE 11 : PLACEMENT DU LAVE-VAISSELLE DANS L'ARMOIRE

IMPORTANT – Ne pas pousser contre le panneau avant avec le genou. Ceci peut causer des dommages.

- Saisir les côtés du panneau avant et glisser petit à petit le lave-vaisselle dans l'ouverture. Tirer le tuyau de vidange et, le cas échéant, le cordon électrique au travers des trous dans l'armoire adjacente en continuant à pousser le lave-vaisselle vers son emplacement final.

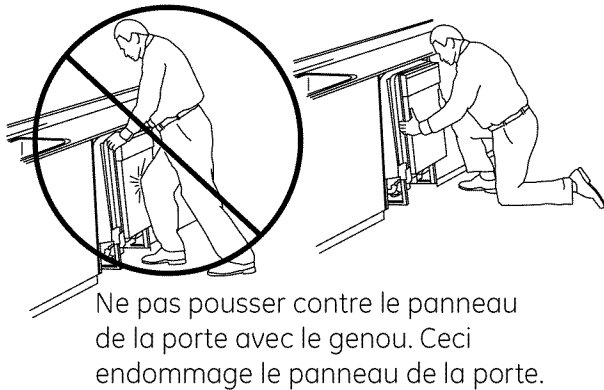


Figure Q

- Le cas échéant, vérifier que le matelas isolant du bac enveloppe bien le bac. Il ne peut pas se retrousser à certains endroits ni entraver les ressorts de la porte. Si c'est le cas, lisser et recentrer le matelas d'isolation avant de glisser le lave-vaisselle vers son emplacement final.
- Vérifier que le tuyau de vidange n'est pas pincé sous ou à l'arrière du lave-vaisselle.
- Vérifier que le câblage de la maison, le tuyau de vidange et le tuyau d'alimentation d'eau n'entravent pas les pièces situées sous le lave-vaisselle.
- Le rebord du bac du lave-vaisselle doit se trouver à environ 1,9 cm (3/4 po) de la face de l'armoire adjacente. Voir la figure R.

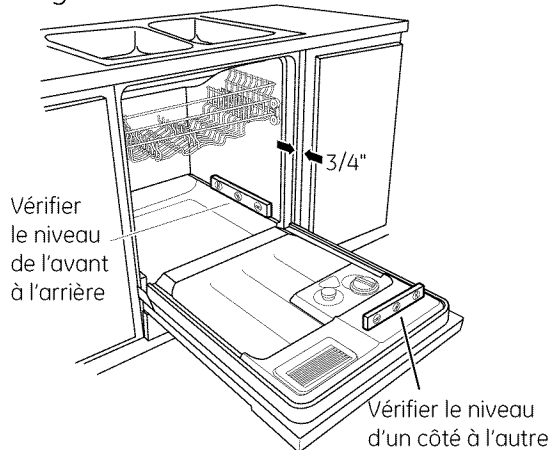
Conseil pour éviter les frais d'intervention inutiles causés par un panneau endommagé.

Ne pas pousser sur le centre du panneau avec les mains ou les genoux en glissant le lave-vaisselle en place.

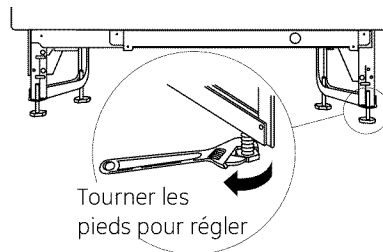
ÉTAPE 12 : PLACEMENT ET MISE À NIVEAU DU LAVE-VAISSELLE

IMPORTANT – Le lave-vaisselle doit être à niveau pour assurer le fonctionnement correct des égouttoirs, du lave-vaisselle et de la porte. Il faut mettre le lave-vaisselle à niveau de gauche à droite et de l'avant vers l'arrière. Ceci assure que les égouttoirs ne se déplacent pas de leur propre chef, que l'eau circule librement vers l'entrée de la pompe et que la porte se ferme sans accrocher les côtés du bac.

- Enlever l'égouttoir du bas et placer un niveau sur la porte et le rail de l'égouttoir du bas, tel illustré à la figure R.



- Régler le niveau du lave-vaisselle en tournant chacune des quatre pattes au bas du lave-vaisselle, tel illustré à la figure S.



- Le lave-vaisselle est à niveau lorsque l'indicateur de niveau est centré de gauche à droite et de l'avant vers l'arrière. La porte du lave-vaisselle doit pouvoir se fermer sans toucher les côtés du cadre.
- Remettre en place l'égouttoir du bas.

Conseil pour éviter les frais d'intervention inutiles causés par un lavage inadéquat et le mauvais fonctionnement des égouttoirs.

Tirer les égouttoirs vers le dehors jusqu'à mi-trajectoire. Ils ne doivent pas bouger. Ouvrir et fermer la porte. La porte doit recouvrir l'ouverture du bac sans toucher les côtés. Remettre le lave-vaisselle à niveau si les égouttoirs se déplacent de leur propre chef ou si la porte s'accroche sur les côtés du bac.

Installation du lave-vaisselle

ÉTAPE 13 : FIXATION DU LAVE-VAISSELLE AU-DESSOUS DU PLAN DE TRAVAIL OU AUX CÔTÉS DE L'ARMOIRE

Dans cette étape, il faut utiliser les deux vis à bois à tête cruciforme de 5/8 po mis de côté à l'étape 1.

IMPORTANT – Le lave-vaisselle doit être centré dans l'ouverture de l'armoire. Tout contact avec les armoires ou le plan de travail peut causer des fuites et endommager le panneau de porte et/ou de commande.

- Si le plan de travail est en bois ou une matière similaire, attacher le lave-vaisselle au plan de travail en enfonçant les vis à tête cruciforme dans le plan de travail au travers des supports de plan de travail.
- Si le plan de travail est en granite ou autre matière similaire, enfoncer les vis à tête cruciforme dans les armoires adjacentes au travers des supports de montage latéral.
- Veiller à ce que les vis soient enfoncées perpendiculairement et complètement de manière à ne pas entraver le fonctionnement de la porte et endommager le panneau de commande. Voir la figure T.

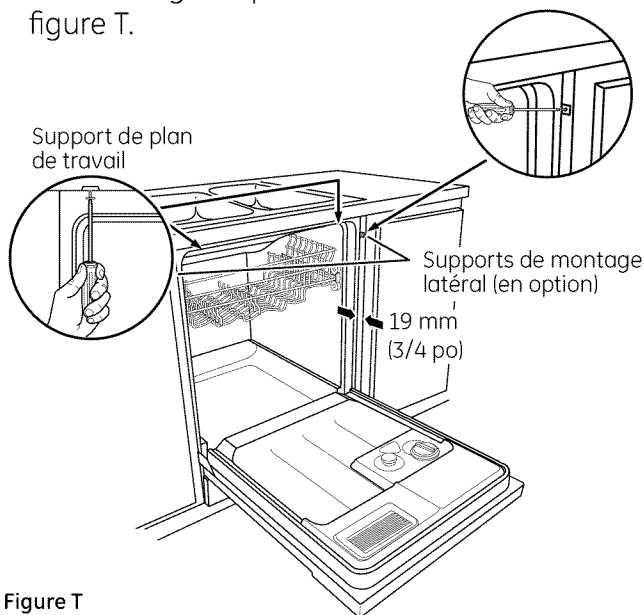


Figure T

Conseil pour éviter les frais d'intervention inutiles causés par une fuite ou un panneau de commande endommagé.

Veiller à ce que le lave-vaisselle soit centré dans l'armoire et que la porte s'ouvre et se ferme sans buter contre les armoires adjacentes. Enfoncer les vis de montage perpendiculairement et complètement.

ÉTAPE 14 : BRANCHEMENT DE L'ALIMENTATION D'EAU

Brancher le tuyau d'alimentation d'eau au coude à angle droit installé à l'étape 6.

- Glisser l'écrou de compression puis la bague sur l'extrémité du tuyau d'eau.
- Insérer le tuyau d'eau dans le coude à angle droit.
- Glisser la bague contre le coude et serrer l'écrou de compression.

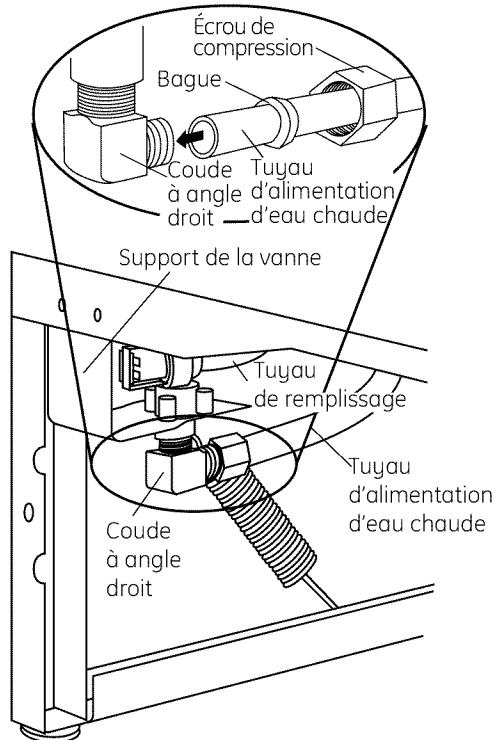


Figure U

IMPORTANT – Ouvrir et fermer la porte pour vérifier que le ressort de la porte ne frotte pas ou n'est pas en contact avec le tuyau de remplissage ou d'alimentation d'eau. Changer le passage des tuyaux d'alimentation d'eau ou légèrement plier le support de robinet s'il y a un bruit de frottement ou une interférence.

Conseil pour éviter les frais d'intervention inutiles en cas de bruit ou de fuite.

Veiller à ce que le ressort de la porte ne frotte pas contre le tuyau de remplissage ou d'alimentation d'eau.

Installation du lave-vaisselle

ÉTAPE 15 : BRANCHEMENT DU TUYAU DE VIDANGE

L'extrémité moulée du tuyau de vidange se branche sur des orifices d'admission de 5/8 po à 1 po de diamètre de l'intervalle d'air, du té de vidage ou du broyeur de déchets.

- Déterminer la taille de l'orifice d'admission.
- Si nécessaire, couper le connecteur du tuyau de vidange à la ligne marquée pour installation sur l'orifice d'admission.

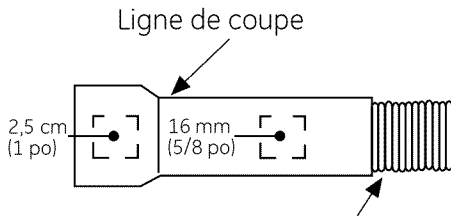


Figure V

IMPORTANT – Il ne faut pas couper la portion ondulée du tuyau.

- Si le tuyau de vidange est trop court et le tuyau de vidange GPF10L n'a pas été acheté, une longueur de tuyau de maximum un mètre (42 po) peut être ajoutée pour obtenir un tuyau de 3 mètres (10 pi) de long. Utiliser un tuyau à diamètre intérieur de 5/8 po ou 7/8 po et un manchon de raccord pour connecter les deux bouts de tuyau. Maintenir le manchon en place avec des colliers.

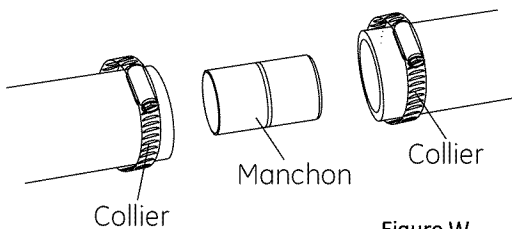
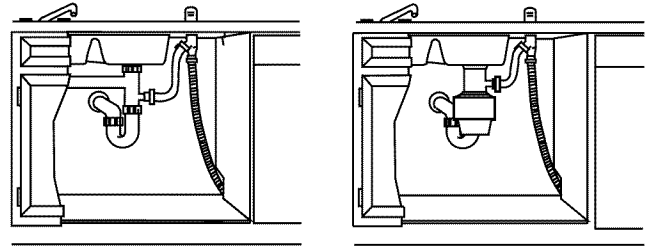


Figure W

IMPORTANT – Pour obtenir une vidange adéquate, la longueur totale du tuyau de vidange ne doit pas dépasser 3 mètres (10 pi).

- Brancher le tuyau de vidange sur l'intervalle d'air, té de vidage ou broyeur en utilisant la méthode décrite précédemment. Attacher le tuyau avec un collier à vis.

Méthode 1 – Intervalle d'air avec té de vidage ou broyeur de déchets



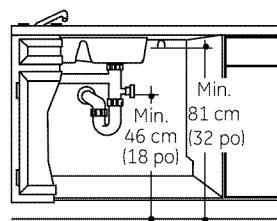
Installation avec un té de vidage

Installation avec un broyeur de déchets

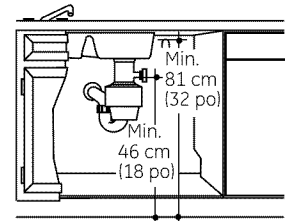
Figure X

Méthode 2 – Boucle de vidange élevée avec té de vidage ou broyeur de déchets

Attacher le tuyau de vidange sous le plan de travail avec un étrier.



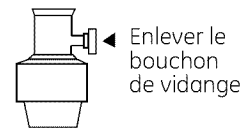
Installation avec un té de vidage



Installation avec un broyeur de déchets

Figure Y

IMPORTANT – En cas de branchement du tuyau de vidange à un broyeur de déchets, vérifier que le bouchon de vidage a été enlevé. Le lave-vaisselle ne peut pas se vider avec le bouchon en place.



Conseil pour éviter les frais d'intervention inutiles causés par un problème de vidange.

Vérifier que l'excédent du tuyau de vidange a été retiré de l'ouverture de l'armoire. Ceci évite que le lave-vaisselle ne plie ou n'écrase la longueur excédentaire de tuyau présente dans sa cavité. Si le tuyau de vidange est raccordé à un broyeur de déchets, vérifier que le bouchon de vidage a été enlevé.

Installation du lave-vaisselle

ÉTAPE 16 : BRANCHEMENT DE L'ALIMENTATION ÉLECTRIQUE

Passer à l'étape 17 si le lave-vaisselle est déjà muni d'un cordon électrique avec fiche.



ATTENTION Si le circuit de la maison n'est pas un circuit à 2 fils avec un fil de terre, l'installateur doit installer un fil de terre.

Quand le circuit de la maison est en aluminium, veiller à utiliser une pâte antioxydante et des connecteurs aluminium à cuivre homologués UL.

- Attacher les fils de la maison au dos du support de la boîte de jonction avec un réducteur de tension.
- Identifier les trois fils du lave-vaisselle avec les extrémités dénudées (blanc, noir et vert). Insérer les fils du lave-vaisselle dans le petit trou du support de la boîte de jonction. Utiliser des serre-fils homologués UL de taille appropriée pour raccorder la terre du circuit au fil vert, le fil blanc au blanc et le fil noir au noir.

Remarque : Vérifier que les faisceaux de fils passent au travers du petit trou du support

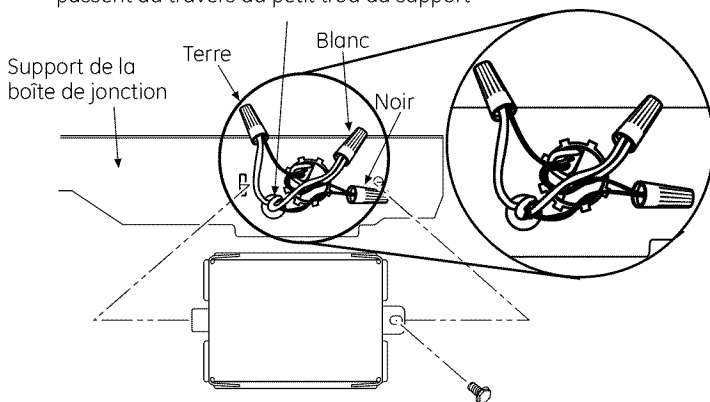


Figure Z

ÉTAPE 17: INSTALLATION DU COUVERCLE DE LA BOÎTE DE JONCTION

Passer à l'étape 18 si le couvercle de la boîte de jonction est déjà installé.

Cette étape requiert le couvercle de la boîte de jonction et la vis à tête à six pans n° 10 de l'ensemble de vis, mis de côté à l'étape 1.

- Installer le couvercle de la boîte de jonction avec la vis à tête à six pans n° 10. Vérifier que les fils ne sont pas pincés sous le couvercle.

ÉTAPE 18 : LISTE DE VÉRIFICATION AVANT LES ESSAIS

- Vérifier que le courant a été coupé à la source.
- Ouvrir la porte du lave-vaisselle et enlever tous les morceaux de mousse et de carton d'emballage.
- Lire le Manuel de l'utilisateur pour connaître le fonctionnement du lave-vaisselle.
- Vérifier que le câblage est bien installé sous le lave-vaisselle, sans être pincé ou en contact avec les ressorts de porte ou autres pièces du lave-vaisselle.
- Veiller à ce que le ressort de porte ne soit pas en contact avec le tuyau de remplissage ou d'alimentation d'eau ou avec les armoires adjacentes. Voir les étapes 13 et 14.
- Tirer l'égouttoir du bas jusqu'à mi-trajectoire. Il ne doit ni sortir, ni rentrer dans le lave-vaisselle. Si c'est le cas, remettre le lave-vaisselle à niveau. Voir l'étape 12.
- Veiller à ce que le panneau de commande ne soit pas en contact avec les armoires adjacentes. Si c'est le cas, repositionner le lave-vaisselle. Voir l'étape 13.
- Ouvrir le robinet d'eau chaude de l'évier pour vérifier que l'eau est à une température de minimum 48 °C (120° F) et de maximum 65 °C (150 °F). Régler le chauffe-eau si nécessaire.
- Verser deux litres d'eau dans le fond du lave-vaisselle pour lubrifier le joint d'étanchéité de la pompe.
- Ouvrir l'alimentation d'eau.
- Vérifier qu'il n'y a pas de fuites. Serrer les connexions si nécessaire. Voir l'étape 14.
- Le cas échéant, enlever la pellicule de protection du panneau de commande, du panneau d'accès et du panneau de porte.

Installation du lave-vaisselle

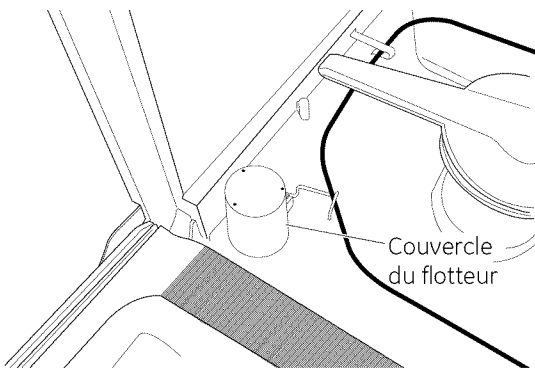
ÉTAPE 19 : ESSAI DU LAVE-VAISSELLE AVEC DE L'EAU

- Mettre le bloc d'alimentation sous tension ou, en cas d'utilisation d'un cordon électrique, le brancher sur une prise murale.
- Fermer la porte du lave-vaisselle.
- Appuyer sur la touche « Normal », puis tourner doucement le bouton de commande, suffisamment pour mettre la machine en marche. Veiller à ne pas tourner le bouton au-delà du premier cycle de remplissage d'eau. Le bouton doit indiquer « Hot Start Option » (option démarrage à eau chaude).

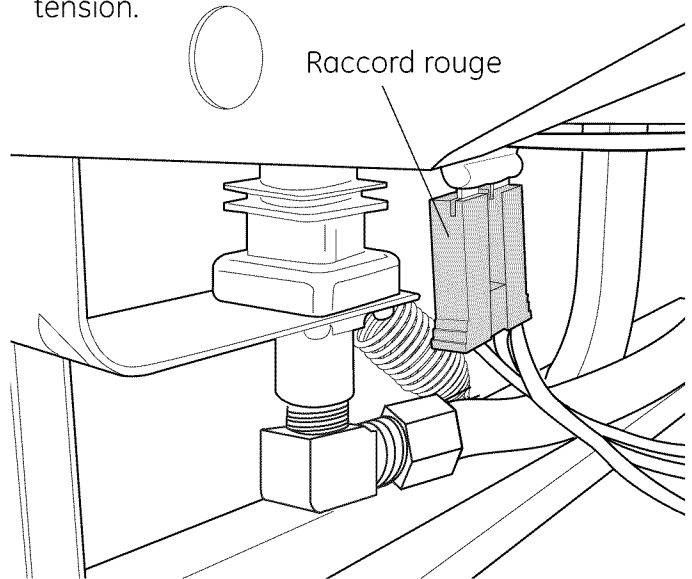


L'aspect diffère selon le modèle.

- S'assurer que l'eau coule dans le lave-vaisselle. Ceci peut requérir jusqu'à quatre minutes. Si l'eau ne coule pas dans le lave-vaisselle, essayer de résoudre le problème comme suit :
 - Vérifier que l'alimentation d'eau est ouverte.
 - Taper légèrement sur le couvercle du flotteur pour dégager le flotteur s'il est bloqué.



- Contrôler le branchement électrique au robinet d'eau. Le raccord électrique rouge doit être branché sur le robinet d'eau du lave-vaisselle. Si ce n'est pas le cas, couper l'alimentation électrique du lave-vaisselle. Brancher le raccord rouge sur le robinet d'eau du lave-vaisselle et remettre sous tension.



- Vérifier qu'il n'y a pas de fuite sous le lave-vaisselle. Si c'est le cas, couper le courant, serrer les raccords et remettre sous tension.
- Vérifier qu'il n'y a pas de fuite autour de la porte. Une telle fuite peut indiquer que la porte du lave-vaisselle frotte contre ou entre en contact avec les armoires adjacentes. Repositionner le lave-vaisselle, le cas échéant. Voir les étapes 11, 12 et 13.
- Dans la plupart des modèles, le cycle de vidange après le premier remplissage dure environ trois minutes. Vérifier que le tuyau de vidange ne fuit pas pendant le cycle de vidange du lave-vaisselle. Si c'est le cas, couper le courant, corriger le problème et remettre sous tension.
- Ouvrir la porte du lave-vaisselle et vérifier que la plus grande partie de l'eau s'est écoulée. Si l'eau ne s'est pas écoulée, vérifier que le bouchon du broyeur a été enlevé et/ou que l'intervalle d'air est libre de débris.
- Faire passer la machine par un autre cycle de remplissage et de vidange. Vérifier de nouveau qu'il n'y a pas de fuite.
- À la fin du second cycle de vidange, ouvrir la porte et tourner le bouton à la position « OFF » (arrêt).

Installation du lave-vaisselle

ÉTAPE 20 : REMISE EN PLACE DU PANNEAU D'ACCÈS ET DE LA PLINTHE

Dans cette étape, il faut utiliser le panneau et les deux vis mis de côté à l'étape 4.

Deux types de vis sont utilisés. Les vis 8-32 de 1/4 po sont utilisées en haut du panneau d'accès et devraient toujours être en place. Les vis 10-16 de 3/8 po sont utilisées au bas du panneau d'accès pour fixer tant le panneau d'accès que la plinthe.

IMPORTANT – Les vis ne sont pas interchangeables. Pour éviter d'endommager le lave-vaisselle, veiller à utiliser chaque vis à l'endroit approprié. Ne pas mélanger les types ou longueurs de vis.

- Placer la plinthe contre les pattes du lave-vaisselle.
- Enlever les deux vis 8-32 de 1/4 po à filetage usiné.
- Aligner le panneau d'accès sur le lave-vaisselle.
- Enfoncer les deux vis 8-32 de 1/4 po à filetage usiné au travers du haut du panneau d'accès et dans l'encadrement du lave-vaisselle.
- Serrer les vis.
- Aligner la plinthe en vérifiant que le bord inférieur se trouve contre le sol.
- Insérer les deux vis autotaraudeuses 10-16 de 3/8 po et les serrer, en veillant à ce que le rebord inférieur de la plinthe demeure en contact avec le sol.

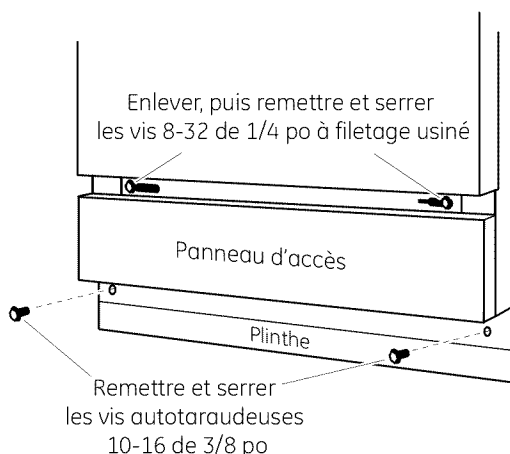


Figure AA

ÉTAPE 21 : DOCUMENTATION

- Laisser le Manuel de l'utilisateur, la Notice d'installation, les échantillons et/ou les coupons de réduction avec le client.

Conseil pour éviter d'endommager la cuve et réduire le bruit provenant de sous le lave-vaisselle.

Utiliser les vis à filetage usiné dans les trous du haut et les vis autotaraudeuses dans les trous du bas. Veiller à ce que la plinthe se trouve contre le sol.

LES DONNÉES TECHNIQUES PEUVENT CHANGER SANS PRÉAVIS



GE Consumer & Industrial
General Electric Company
Louisville, Kentucky 40225

GEAppliances.com

Pub. N° de publication 31-30271
N° de plan 206C1559P203
GE 07J-2374 (10/10)