

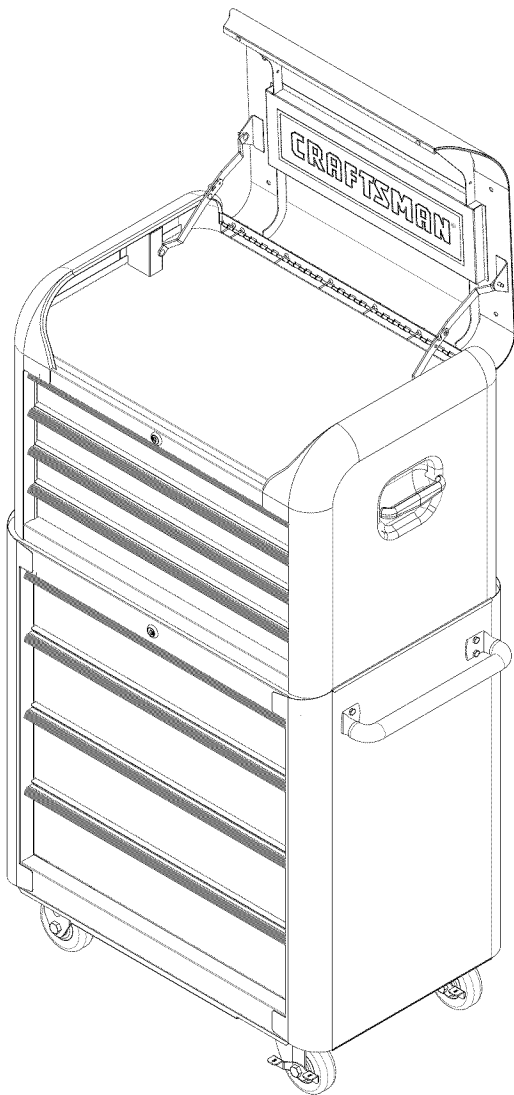
USER INSTRUCTIONS



8 Drawer - 28 in. Contour Storage Combo

Model: 120.29683 (Chest)

Model: 120.29684 (Cabinet)



REPLACEMENT PARTS

Refer to product illustration and parts list for parts locations and numbers. To order replacement parts, call 1-800-4MY-HOME® (1-800-469-4663).

SAFETY INSTRUCTIONS

WARNING: Read all Safety Instructions before assembling and using this product.

- **WEAR SAFETY GLASSES AND GLOVES** when assembling this product.
- **BE CAREFUL** of sharp edges.
- **DO NOT** stand on this product. You may fall which may cause personal injury.
- **DO NOT** alter this product in any manner. For example, do not weld external lock bars or attach electrical equipment to it. This may cause product damage or personal injury.
- Keep the product on a level surface. The product may become unstable and tip if stored or moved on a tilted surface, and may cause personal injury or product damage.
- The maximum weight for each loaded drawer of the Chest should be no more than 70 lbs. The maximum weight for each loaded drawer of the Cabinet should be no more than 100 lbs.
- **ALWAYS WEAR ANSI approved safety goggles** when working with tools and equipment.

WARNING: TAKE SAFETY PRECAUTIONS WHEN USING YOUR TOOL CHEST / CABINET



Do not open more than one drawer at a time.



Do not step or lean on the drawers.



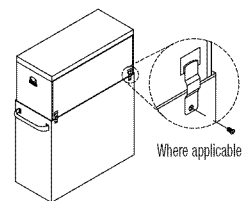
Do not let children near the tool chest.



Set the brake on the locking casters unless you are moving the tool chest.



Lock drawers and lid before moving the tool chest.

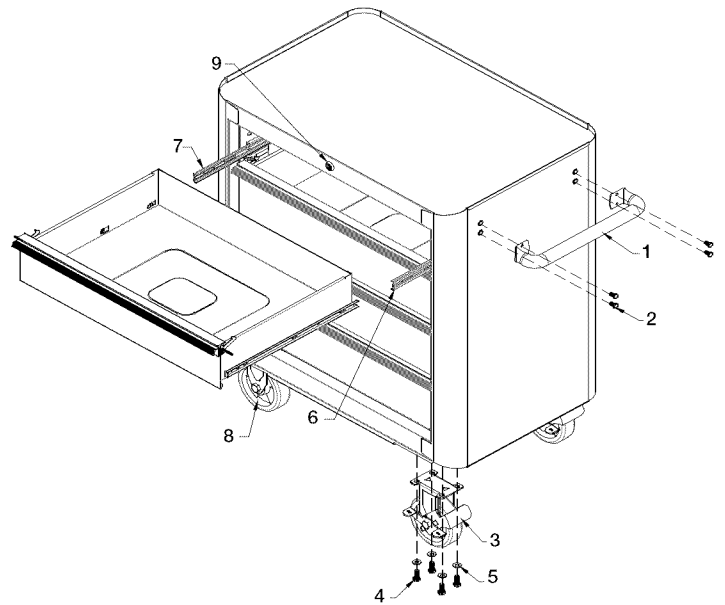
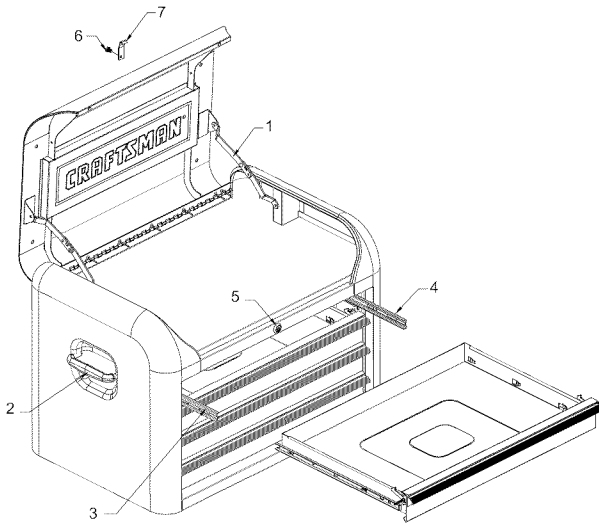


When adding a chest, all add-on tops must be removed from the roller cabinet. Be sure both connector brackets are in place and secure.

CHEST

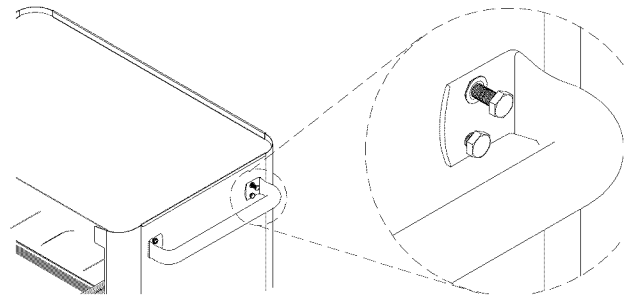
The chest keys are taped to the top storage area of the chest. The key code is printed on the face of the chest lock.

Ref. #	Description	Part #	Qty
1	Mechanical strut	303065	2
2	Chest handle	306046	2
3	Slide (right)	300114R	4
4	Slide (left)	300114L	4
5	Lock	304000	1
6	M6X12 hex bolt	321054	2
7	Connector	200837	2



ASSEMBLY

Assembly requires 10mm and 14mm sockets or wrenches. To install the handles, simply position them over the holes and attach with the bolts provided. Tighten securely.



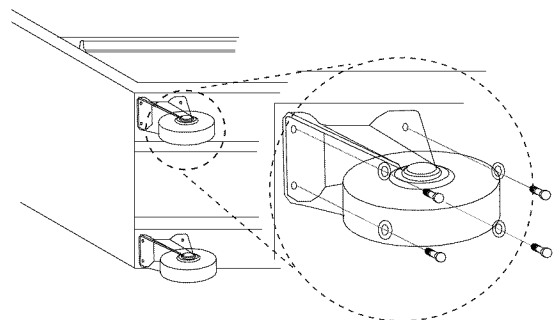
CABINET

The cabinet keys are taped to the top of the caster shipping box located in the bottom drawer of the cabinet. The key code is printed on the face of the cabinet lock.

Ref. #	Description	Part #	Qty
1	Cabinet handle	306078	1
2	M6x20 hex bolt	321054	4
3	Swivel caster	302066	2
4	M8x20 hex bolt	321027	16
5	Washer	324255	16
6	Slide (left)	300114L	4
7	Slide (right)	300114R	4
8	Fixed caster	302067	2
9	Lock	304000	1

INSTALLING CASTERS

Carefully lay bottom cabinet on its back, with a soft mat under the back for the purpose of protection. Remove caster attachment bolts from bottom of cabinet. Position the two swivel casters on the same side of the cabinet bottom. Insert the bolts through washers, then through the casters and into the cabinet bottom. Tighten securely. Repeat for the two rigid casters on the other side.



INSTALL CHEST ON CABINET

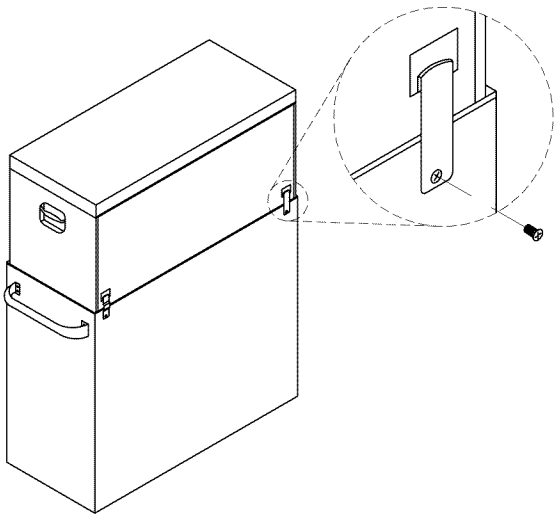
With the help of another person, install chest on top of cabinet inside of the 4 corner stays. The chest will stay securely atop the cabinet under its own weight.

OPERATION

CHEST AND CABINET CONNECTION

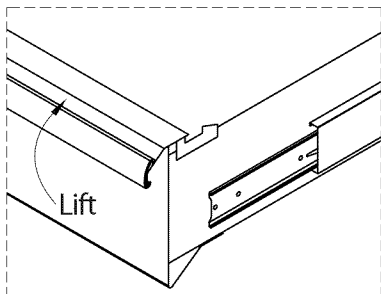
WARNING: (Where applicable) When adding a chest, all add-on tops must be removed from the roller cabinet. Be sure both connector brackets are in place and secure.

Place the chest on the cabinet. Attach the connectors making sure the connectors slide into the openings on the back of the chest. Fasten the connectors to the back of the chest with screws.



RAISE AND RELEASE DRAWER FRONTS:

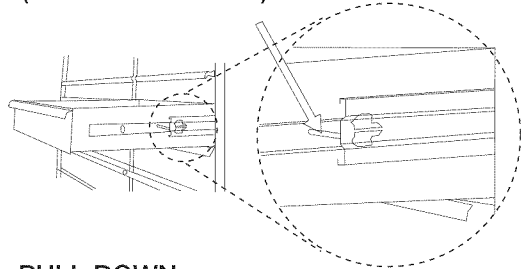
These units are equipped with the raise and release drawer fronts. To open, lift up on the drawer front while pulling towards you. To close, shut the drawer firmly until the latch engages. If the drawer does not stay closed, the hook may be bent, or it may rub against the drawer slides. To fix this problem, lightly bend the hook until the drawer will engage in the slide.



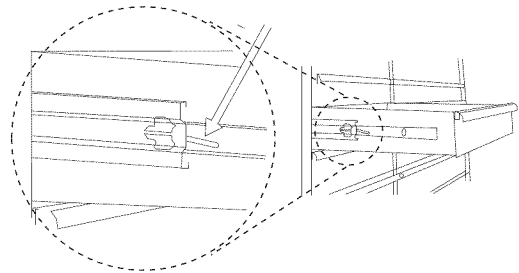
To remove drawers

Empty drawer. Pull drawer out to almost full extension. Push up on right hand black release lever, while pulling down on left hand black release lever. While holding the levers in the positions as instructed above, pull the drawer outward until it is released from the drawer slide.

PUSH UP (RIGHT HAND SIDE)



PULL DOWN (LEFT HAND SIDE)



To replace drawers

Empty drawer. Extend the drawer slides from the tool chest. Insert the brackets on each side of the drawer into the slots in the cabinet slides, being careful that they are properly positioned. Once properly inserted, completely close the drawer to set the slides in their proper positions.

CRAFTSMAN THREE YEAR LIMITED WARRANTY

FOR THREE YEARS from the date of purchase, this product is warranted against any defects in material or workmanship. With proof of purchase, a defective part will be replaced free of charge. If a replacement part is unavailable, the product will be replaced with one of equal value.

This warranty does not apply to a product that is damaged or altered through misuse, abuse, accident, neglect, modification or mishandling.

For warranty coverage details, visit the web site:
www.craftsman.com

This warranty gives you specific legal rights, and you may also have other rights which vary from state to state.

**Sears Brands Management Corporation,
Hoffman Estates, IL 60179**

REPLACEMENT PARTS

Refer to product illustration and parts list for parts locations and numbers. To order replacement parts, call **1-800-4MY-HOME® (1-800-469-4663)**.

For replacement keys: key codes are printed on the face of the locks.