

# MICROWAVE/ WALL OVEN COMBINATION INSTALLATION INSTRUCTIONS



**INSTALLATION AND SERVICE MUST BE PERFORMED BY A QUALIFIED INSTALLER.**  
**IMPORTANT: SAVE FOR LOCAL ELECTRICAL INSPECTOR'S USE.**  
**READ AND SAVE THESE INSTRUCTIONS FOR FUTURE REFERENCE.**

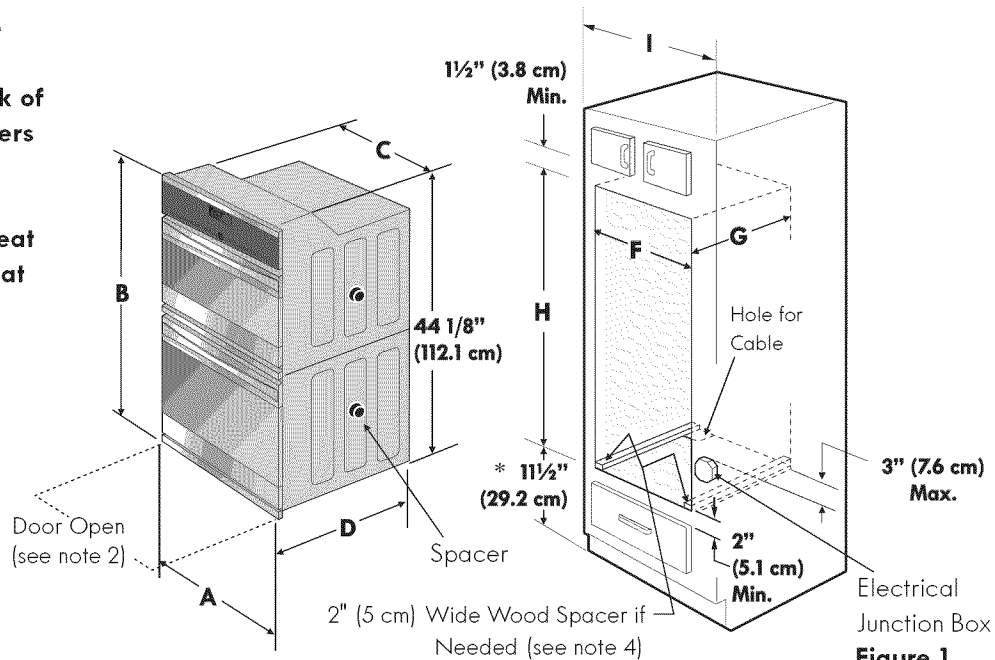


**! WARNING** FOR YOUR SAFETY: Do not store or use gasoline or other flammable vapors and liquids in the vicinity of this or any other appliance.

Your new wall oven has been designed to fit a limited variety of cutout sizes to make the job of installing easier. The first step of your installation should be to measure your current cutout dimensions and compare them to the cutout dimensions chart below for your model. You may find little or no cabinet work being necessary.

**! WARNING** Do not remove spacers (if equipped) on the side walls and/or on the back of the built-in oven. These spacers center the oven in the space provided. The oven must be centered to prevent excess heat buildup that may result in heat damage or fire.

\* Suggested distance from floor is 11½" (29.2 cm).  
 Minimum required distance is 4 ½" (11.4 cm).



**Figure 1**

**NOTES:**

1. Base must be capable of supporting 350 pounds (159 kg).
2. Allow at least 21" (53.3 cm) clearance in front of oven for door depth when it is open.
3. Dimension **G** (cutout depth) is critical to the proper installation of the built-in oven. If the oven decorative trim does not butt against the cabinet, or if noise is heard on convection models, verify dimension **G** to assure it is according to the required dimension.

**\*\*4.** For a cutout height (**H**) between 44½" (113 cm) and 45⅛" (114.6 cm) add a 2" (5 cm) wide wood shim of appropriate height to each side of the opening under the appliance side rails. Lifting the unit will allow you to hide the cutout openings showing above the unit. The bottom trim of the unit will hide the shims at the bottom.

**\*\*5.** For a cutout height (**H**) between 45⅛" (114.6 cm) and 46⅞" (119.1 cm) you can order a larger bottom trim through your Service Center.

**PRODUCT DIMENSIONS**

| MODEL                   | A         | B               | C             | D          |
|-------------------------|-----------|-----------------|---------------|------------|
| 27" (68.6 cm) Wall Oven | 27 (68.6) | 45 9/16 (115.7) | 24 5/8 (62.5) | 24½ (62.2) |
| 30" (76.2 cm) Wall Oven | 30 (76.2) | 45 9/16 (115.7) | 28¼ (71.8)    | 24½ (62.2) |

**CUTOUT DIMENSIONS AND CABINET WIDTH**

| MODEL                   | F          |            | G (Min.)   | H. Standard Height (**Others, see notes 4 & 5) |           | I              |
|-------------------------|------------|------------|------------|--|-----------|----------------|
|                         | Min.       | Max.       |            | Min.   | Max.      |                |
| 27" (68.6 cm) Wall Oven | 25⅝ (65.1) | 25⅞ (65.7) | 23½ (59.7) | 44¼ (112.4)                                    | 44½ (113) | 27⅞ (68.9) Min |
| 30" (76.2 cm) Wall Oven | 28½ (72.4) | 29 (73.7)  | 23½ (59.7) | 44¼ (112.4)                                    | 44½ (113) | 30⅞ (76.5) Min |

# MICROWAVE/ WALL OVEN COMBINATION INSTALLATION INSTRUCTIONS

## Important Notes to the Installer

1. Read all instructions contained in these installation instructions before installing the combination oven.
2. Remove all packing material from the oven compartments before connecting the electrical supply to the wall oven.
3. Observe all governing codes and ordinances.
4. Be sure to leave these instructions with the consumer.
5. Oven door may be removed to facilitate installation.
6. **THIS COMBINATION OVEN IS NOT APPROVED FOR STACKABLE OR SIDE-BY-SIDE INSTALLATION.**

## Important Note to the Consumer

Keep these instructions with your Owner's Guide for future reference. Do not discard oven removal tools found in the literature bag.

## IMPORTANT SAFETY INSTRUCTIONS

- Be sure your combination oven is installed and grounded properly by a qualified installer or service technician.
- This wall oven must be electrically grounded in accordance with local codes or, in their absence, with the National Electrical Code ANSI/NFPA No.70-latest edition in United States, or with CSA Standard C22.1, Canadian Electrical Code, Part 1, in Canada.

**⚠ WARNING** Stepping, leaning or sitting on the door of this wall oven can result in serious injuries and can also cause damage to the wall oven.

- Never use your wall oven for warming or heating the room. Prolonged use of the wall oven without adequate ventilation can be dangerous.

**⚠ WARNING** The electrical power to the oven must be shut off while line connections are being made. Failure to do so could result in serious injury or death.

## 1. Carpentry

Refer to figure 1 for the dimensions applicable to your appliance, and the space necessary to receive the combination oven. The oven support surface may be solid plywood or similar material, however the surface must be leveled from side to side and from front to rear.

## 2. Electrical Requirements

This appliance must be supplied with the proper voltage and frequency, and connected to an individual, properly grounded branch circuit, protected by a circuit breaker or fuse. To know the circuit breaker or fuse required by your model, see the serial plate to find the wattage consumption and refer to table A to get the circuit breaker or fuse amperage.

| Appliance Rating Watts<br>240V | Protection Circuit<br>Recommended | Appliance Rating Watts<br>208V | Protection Circuit<br>Recommended |
|--------------------------------|-----------------------------------|--------------------------------|-----------------------------------|
| Less than 4800W                | 20A                               | Less than 4100W                | 20A                               |
| 4800W - 7200W                  | 30A                               | 4100W - 6200W                  | 30A                               |
| 7200W - 9600W                  | 40A                               | 6200W - 8300W                  | 40A                               |
| 9600W and +                    | 50A                               | 8300W and +                    | 50A                               |

Table A

### Observe all governing codes and local ordinances

1. A 3-wire or 4-wire single phase 120/240 or 120/208 Volt, 60 Hz AC only electrical supply is required on a separate circuit fused on both sides of the line (red and black wires). A time-delay fuse or circuit breaker is recommended. DO NOT fuse neutral (white wire).

**NOTE:** Wire sizes and connections must conform with the fuse size and rating of the appliance in accordance with the American National Electrical Code ANSI/NFPA No. 70-latest edition, or with Canadian CSA Standard C22.1, Canadian Electrical Code, Part 1, and local codes and ordinances.

**⚠ WARNING** An extension cord should not be used with this appliance. Such use may result in a fire, electrical shock, or other personal injury. If you need a longer power cord you can purchase a 10' (3 m) power cord kit by calling the Service Center.

2. These appliances should be connected to the fused disconnect (or circuit breaker) box through flexible armored or nonmetallic sheathed cable. The flexible armored cable extending from the appliance should be connected directly to the junction box. The junction box should be located as shown in Figure 1 and with as much slack as possible remaining in the cable between the box and the appliance, so it can be moved if servicing is ever necessary.
3. A suitable strain relief must be provided to attach the flexible armored cable to the junction box.

**⚠ CAUTION** In cold weather shipping and storage conditions, make sure that oven is in final location at least three (3) hours before switching on power. Switching on power while oven is still cold may damage the oven controls.

# MICROWAVE/ WALL OVEN COMBINATION INSTALLATION INSTRUCTIONS

## **⚠ WARNING**

### **Electrical Shock Hazard**

- Electrical ground is required on this appliance.
- Do not connect to the electrical supply until appliance is permanently grounded.
- Disconnect power to the junction box before making the electrical connection.
- This appliance must be connected to a grounded, metallic, permanent wiring system, or a grounding connector should be connected to the grounding terminal or wire lead on the appliance.
- Do not use a gas supply line for grounding the appliance.

Failure to do any of the above could result in a fire, personal injury or electrical shock.

## 3. Electrical connection

It is the responsibility and obligation of the consumer to contact a qualified installer to assure that the electrical installation is adequate and is in conformance with the National Electrical Code ANSI/NFPA No. 70-latest edition, or with CSA Standard C22.1, Canadian Electrical Code, Part 1, and local codes and ordinances.

**⚠ WARNING** Risk of electrical shock (Failure to heed this warning may result in electrocution or other serious injury.) This appliance is equipped with copper lead wire. If connection is made to aluminum house wiring, use only connectors that are approved for joining copper and aluminum wire in accordance with the National Electrical Code and local code and ordinances. When installing connectors having screws which bear directly on the steel and/or aluminum flexible conduit, do not tighten screws sufficiently to damage the flexible conduit. Do not over bend or excessively distort flexible conduit to avoid separation of convolutions en exposure of internal wires.

DO NOT ground to a gas supply pipe. DO NOT connect to electrical power supply until appliance is permanently grounded. Connect the ground wire before turning on the power.

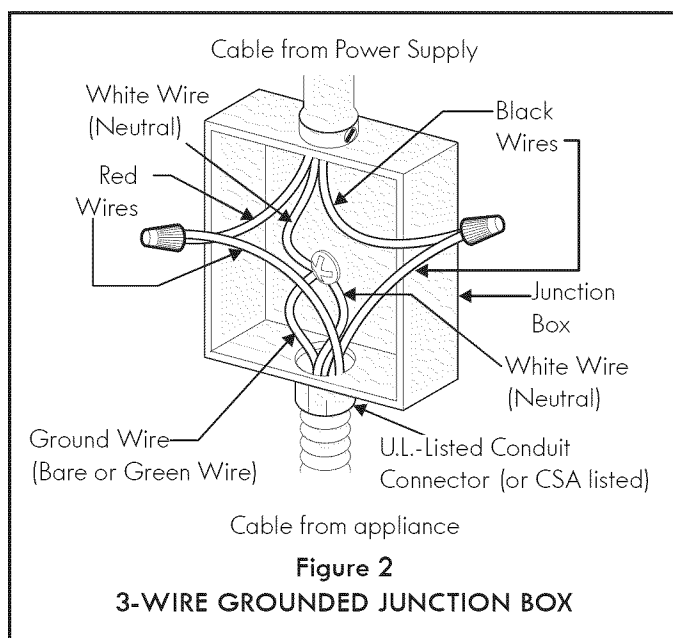
**⚠ WARNING** (If your appliance is equipped with a white neutral conductor.)

This appliance is manufactured with a white neutral power supply and a frame connected copper wire. The frame is grounded by connection of grounding lead to neutral lead at the termination of the conduit, if used in USA, in a new branch circuit installation (1996 NEC), mobile home, recreational vehicles, where local code do not permit grounding trough the neutral (white) wire or in Canada, disconnect the white and green lead from each other and use ground lead to ground unit in accordance with local codes, connect neutral lead to branch circuit-neutral conductor in usual manner see Figure 3. If your appliance is to be connected to a 3 wire grounded junction box (US only), where local code permit connecting the appliance-grounding conductor to the neutral (white) see Figure 2.

**NOTE TO ELECTRICIAN:** The armored cable leads supplied with the appliance are UL-recognized for connection to larger gauge household wiring. The insulation of the leads is rated at temperatures much higher than temperature rating of household wiring. The current carrying capacity of the conductor is governed by the temperature rating of the insulation around the wire, rather than the wire gauge alone.

**Where local codes permit connecting the appliance-grounding conductor to the neutral (white) wire (US Only) (see figure 2):**

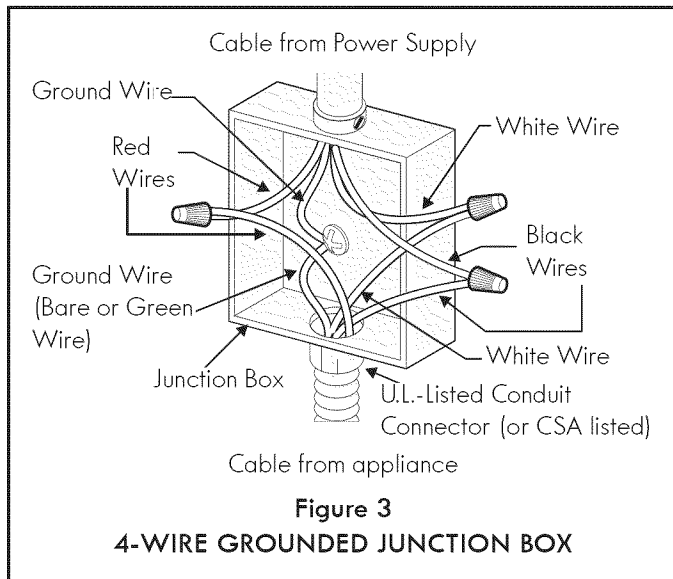
1. Disconnect the power supply.
2. In the junction box:  
Connect appliance and power supply cable wires as shown in Figure 2.



# MICROWAVE/ WALL OVEN COMBINATION INSTALLATION INSTRUCTIONS

If oven is used in a new branch circuit installation (1996 NEC), mobile home, recreational vehicle, or where local codes **DO NOT** permit grounding through the neutral (white) wire, the appliance frame **MUST NOT** be connected to the neutral wire of the 4-wire electrical system. (see figure 3):

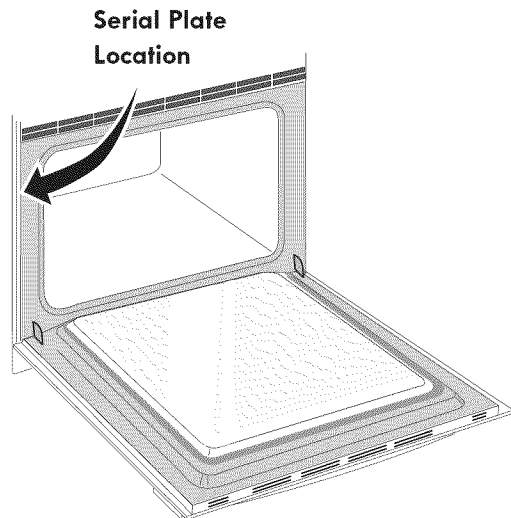
1. Disconnect the power supply.
2. Separate the green (or bare copper) and white appliance cable wires.
3. In the junction box:  
Connect appliance and power supply cable wires as shown in Figure 3.



## Model and Serial Number Location

The serial plate is located along the interior side trim of the oven and visible when the door is opened.

When ordering parts for or making inquires about your oven, always be sure to include the model and serial numbers and a lot number or letter from the serial plate on your oven.



## 4. Cabinet Installation

### IMPORTANT NOTE

Do not lift the oven by the door handle.

### WARNING

#### Heavy Weight Hazard

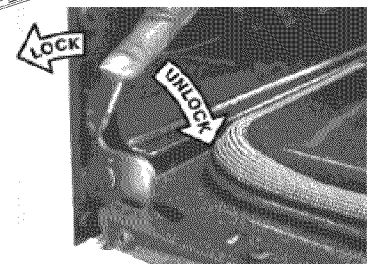
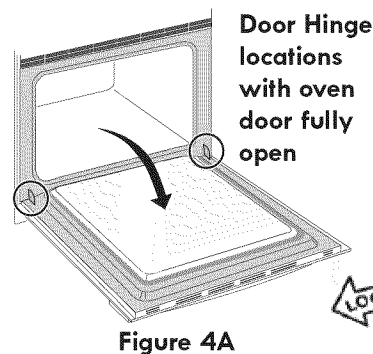
- Use 2 or more people to move and install wall oven.
- Failure to follow this instruction can result in injury or damage to the unit.

1. Unpack the wall oven. Remove the bottom trim and the center trim taped on the oven side panel.
2. Remove the lower oven door to reduce the weight of the appliance and to facilitate its handling and its installation.

#### To Remove Oven Door:

1. Open oven door completely (horizontal with floor- See Figure 4A).
2. Pull the door hinge locks on both left and right door hinges down from the oven frame completely towards the oven door (See Figure 4B). A tool such as a small flat-blade screwdriver may be required.
3. Firmly grasp both sides of oven door along the door sides (Do not use the oven door handle- See Figure 4C).
4. Close the door to the broil stop position (the oven door will stop into this position just before fully closing).
5. With the oven door in the broil stop position, lift the oven door hinge arms over the roller pins located on each side of the oven frame (See Figure 4D).
6. Proceed in reverse to replace the oven door. Make sure the hinge supports are fully engaged before unlocking the hinge levers.

**NOTE:** The oven door is very heavy. Be sure to have a firm grip before lifting the oven door off the hinges. Use caution once the door is removed. Do not lay door on its handle. This could cause dents or scratches.



# MICROWAVE/ WALL OVEN COMBINATION INSTALLATION INSTRUCTIONS

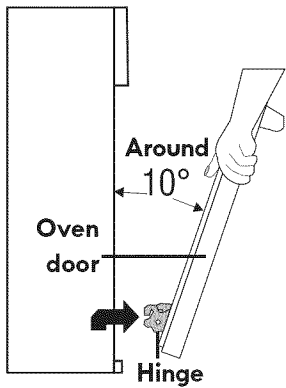


Figure 4C

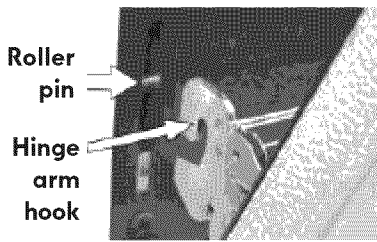


Figure 4D

- 3 Remove all packaging inside the ovens and remove the lower oven racks and their supports (see owner's guide for further instructions).
- 4 Find the 2 mounting screws included in the literature package.
- 5 Insert the unit into the cabinet opening. Slide unit inward leaving 1½" (3.8 cm) clearance between the unit and front of cabinet (see Figure 5).

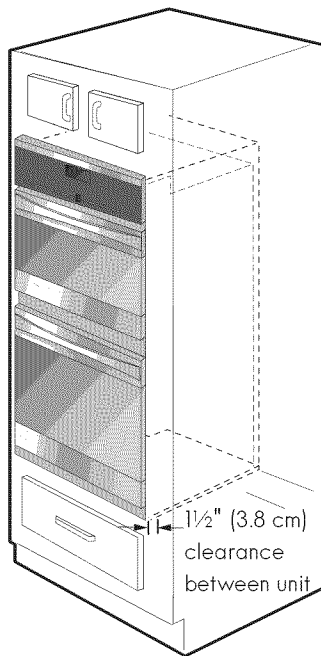


Figure 5

- 6 Pull the armored cable through the hole for it in the cabinet and toward the junction box while moving the appliance inward.

- 7 Install now the bottom trim using the screws supplied with the unit (Figure 6).

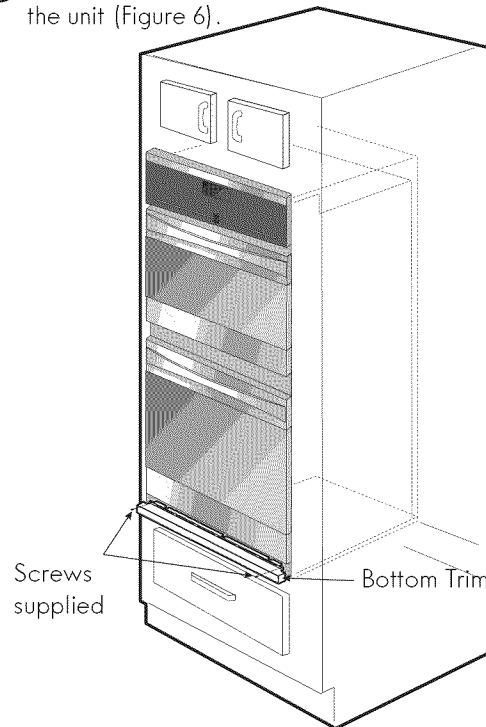


Figure 6

- 8 Install now the center trim using the screws supplied with the unit, on both sides (Figure 7).

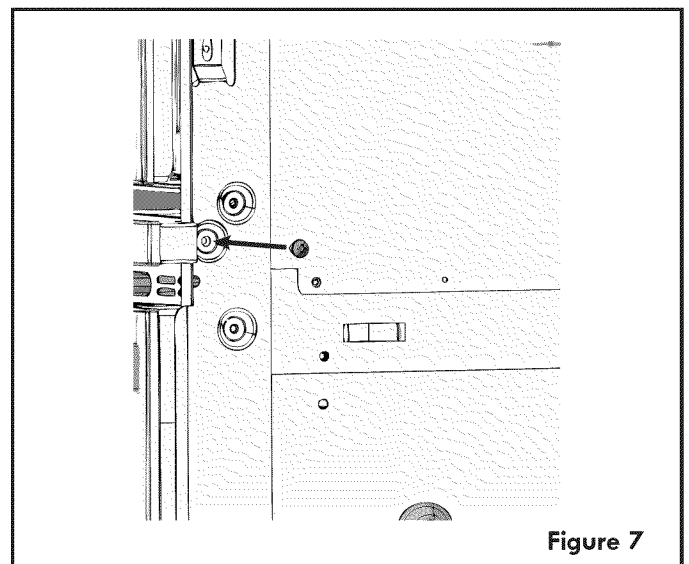


Figure 7

# MICROWAVE/ WALL OVEN COMBINATION INSTALLATION INSTRUCTIONS

## 9 Install the Anti-tip Mounting Screws

**⚠ WARNING** The wall oven can tip when the door is open. The anti-tip mounting screws supplied with the wall oven must be installed to prevent tipping of the wall oven and injury to persons.

A. The mounting holes in the side trims may be used as a template to locate the appliance mounting screw holes (see figure 8).

B. Use the two screws supplied to fix the appliance to the cabinet.

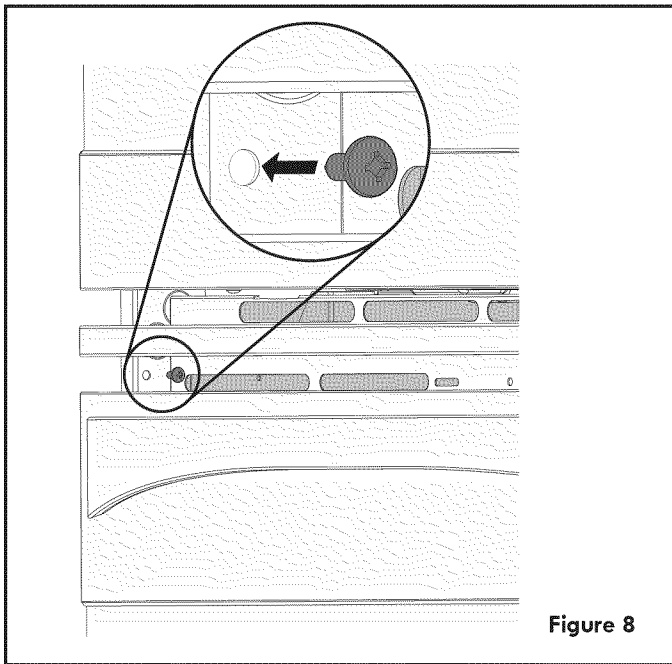


Figure 8

## 5. Leveling the Wall Oven

1. Install an oven rack in the center of the lower oven (see Figure 9).
2. Place a level on the rack. Take 2 readings with the level placed diagonally in one direction and then the other. Use wood shims under the wall oven to level if necessary.

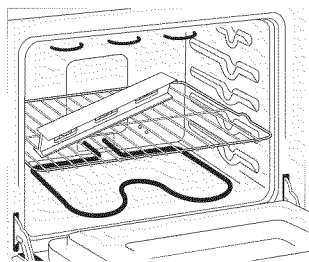


Figure 9

### IMPORTANT NOTE

A cooling fan inside the upper rear part above the oven (some models) provides cooling of the oven electrical and electronic components. If the oven has been operating at high temperatures, the fan will continue to run after the oven is turned off.

## 6. Checking Operation

Your model is equipped with an **Electronic Oven Control**. Each of the functions has been factory checked before shipping. However, it is suggested that you verify the operation of the electronic oven controls once more. Refer to the **Use and Care Guide** for operation.

1. Remove all items from the inside of the oven.
2. Turn on the power to the oven (Refer to your Use & Care Guide.)
3. Verify the operation of the electronic oven controls:
  - Bake**— Verify that this function makes the oven hot. 20 seconds after turning oven on, open the door and you should feel heat coming from the oven.
  - Broil**— When the oven is set to BROIL, the upper element in the oven should become red.
  - Convection (some models)**—When the oven is set for a convection baking or roasting, both elements cycle on and off alternately and the convection fan will run. The convection fan will stop running when the oven door is opened.

## Before You Call for Service

Read the "Before You Call for Service Checklist" and the "Operating Instructions" in your **Use and Care Guide**. It may save you time and expense. The list includes common occurrences that are not the result of defective workmanship or materials in this appliance.

Refer to your **Use and Care Guide** for service phone numbers.

# INSTRUCCIONES DE INSTALACIÓN PARA EL COMBINACIÓN MICRO ONDAS / HORNO DE PARED



**LA INSTALACIÓN Y EL SERVICIO DEBEN SER EFECTUADOS POR UN  
INSTALADOR CALIFICADO. IMPORTANTE: GUARDE ESTAS INSTRUCCIONES  
PARA USO DEL INSPECTOR LOCAL DE ELECTRICIDAD. LEA Y GUARDE ESTAS  
INSTRUCCIONES PARA REFERENCIA FUTURA.**

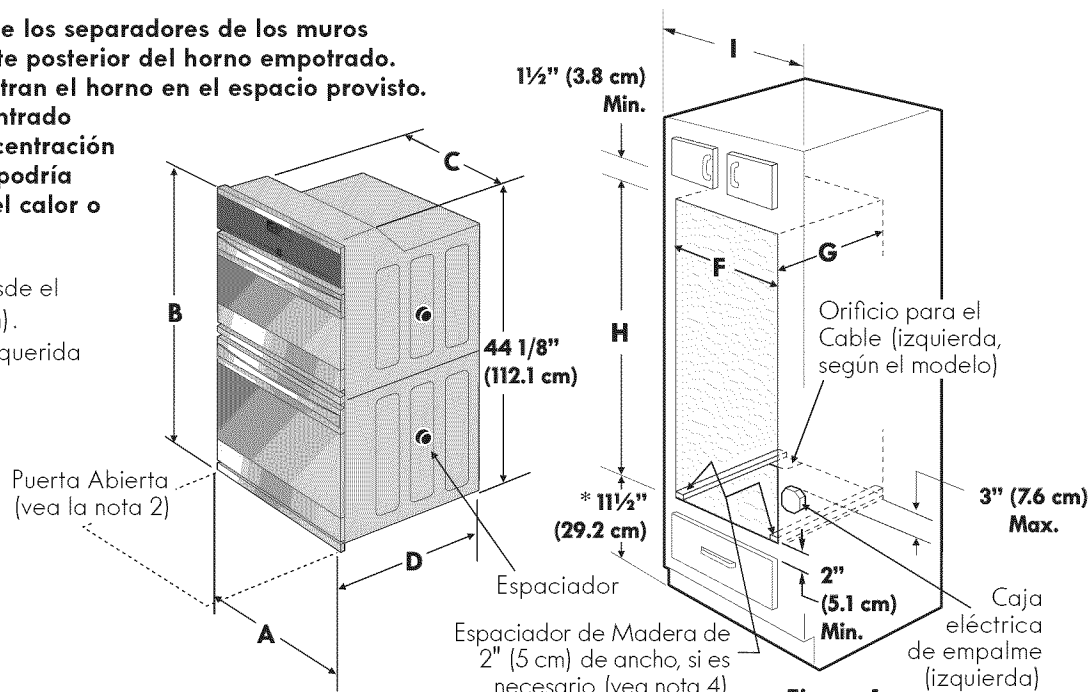


**⚠️ ADVERTENCIA PARA SU SEGURIDAD:** No almacene ni utilice gasolina u otros vapores y líquidos inflamables en la proximidad de este o de cualquier otro artefacto.

El primer paso para su instalación debe de ser el de medir las dimensiones de la apertura y compararlas con las que se indican en el cuadro de dimensiones del hueco de la figura 1. Posiblemente encontrará que algún trabajo de carpintería será necesario.

**⚠️ ADVERTENCIA** No quite los separadores de los muros laterales o/y de la parte posterior del horno empotrado. Estos espaciadores centran el horno en el espacio provisto. El horno debe estar centrado para prevenir una concentración excesiva de calor que podría resultar en daños por el calor o un incendio.

\* Distancia sugerida desde el suelo es 11½" (29.2 cm). La distancia mínima requerida es 4½" (11.4 cm).



**Figura 1**

**NOTAS:**

1. La base debe poder sostener 300 libras (136kg).
2. Deje por lo menos 21" (53.3 cm) de espacio libre para la profundidad de la puerta cuando esta abierta.
3. La dimensión **G** (profundidad del corte) está primordial para instalar correctamente el horno de pared. Si el adorno del armazón del horno no topa contra el armario verifique si la dimensión **G** está en conformidad con la dimensión requerida.

**\*\*4.** Para una altura de cavidad (**H**) entre 44½" (113cm) y 45⅞" (114.6 cm), coloque cuñas de madera de 2"

(5 cm) de ancho con la altura adecuada en cada lado de la abertura debajo de los rieles laterales del electrodoméstico. Al levantar la unidad podrá ocultar las aberturas de la cavidad visibles en la parte superior de la unidad. La moldura inferior de la unidad ocultará las cuñas de la parte inferior.

**\*\*5.** Para una altura de cavidad (**H**) entre 45⅞" (114.6 cm) y 46⅞" (119.1 cm) puede solicitar una moldura inferior más grande a través de su Centro de Servicio.

**DIMENSIONES DEL APARATO**

| MODELO        | A         | B               | C             | D             |
|---------------|-----------|-----------------|---------------|---------------|
| 27" (68.6 cm) | 27 (68.6) | 45 9/16 (115.7) | 24 5/8 (62.5) | 24 1/2 (62.2) |
| 30" (76.2 cm) | 30 (76.2) | 45 9/16 (115.7) | 28 1/4 (71.8) | 24 1/2 (62.2) |

**DIMENSIONES DEL HUECO Y ANCHURA DEL ARMARIO**

| MODELO        | F             |               | G (Min.)      | H. Altura Estándar<br>(*Otras, consulte las notas 4 y 5) |              | I                 |
|---------------|---------------|---------------|---------------|--|--------------|-------------------|
|               | Mín.          | Máx.          |               | Mín.   | Máx.         |                   |
| 27" (68.6 cm) | 25 5/8 (65.1) | 25 7/8 (65.7) | 23 1/2 (59.7) | 44 1/4 (112.4)   | 44 1/2 (113) | 27 1/8 (68.9) Min |
| 30" (76.2 cm) | 28 1/2 (72.4) | 29 (73.7)     | 23 1/2 (59.7) | 44 1/4 (112.4)   | 44 1/2 (113) | 30 1/8 (76.5) Min |

Todas las dimensiones se dan en pulgadas (cm).

Impreso en los Estados Unidos

# INSTRUCCIONES DE INSTALACIÓN PARA EL COMBINACIÓN MICRO ONDAS / HORNO DE PARED

## Notas importantes para el instalador

1. Lea todas las instrucciones contenidas en este manual antes de instalar el combinación microondas/ horno de pared.
2. Saque todo el material usado en el embalaje del compartimiento del horno antes de conectar el suministro eléctrico o de gas a la estufa.
3. Observe todos los códigos y reglamentos pertinentes.
4. Deje estas instrucciones con el consumidor.
5. La puerta del horno se puede retirar para facilitar la instalación.
6. **ESTE COMBINACIÓN MICROONDAS / HORNO DE PARED NO ESTÁ APROBADO PARA LA INSTALACIÓN APILABLE O DE LADO A LADO.**

## Nota importante al consumidor

Conserve estas instrucciones y el manual del usuario para referencia futura. No tirar las herramientas para retirar el horno incluidas en la bolsa de la literatura.

## INSTRUCCIONES IMPORTANTES DE SEGURIDAD

- **Asegúrese de que su combinación microondas / horno de pared sea instalado y puesto a tierra de forma apropiada por un instalador calificado o por un técnico de servicio.**
- **Este horno de pared debe ser eléctricamente puesto a tierra de acuerdo con los códigos locales o, en su ausencia, con el Código Eléctrico Nacional ANSI/NFPA No. 70—última edición en los Estados Unidos, o el Código Eléctrico Canadiense CSA Standard C22.1, Part 1, en Canadá.**

**⚠ ADVERTENCIA** Pisar, apoyarse, o sentarse sobre la puerta de este horno de pared puede causar serias lesiones y daños al horno de pared.

- **Nunca use su horno de pared para calentar una habitación.** El uso prolongado de la estufa sin la ventilación adecuada puede ser peligroso.

**⚠ ADVERTENCIA** La corriente eléctrica al horno debe estar apagada mientras se hacen las conexiones de líneas. Si no se apaga, daños serios o la muerte podrían resultar.

## 1. Carpintería

Consulte la Figura 1 para conocer las dimensiones pertinentes al modelo de su horno y al espacio necesario en el que poner el horno. La superficie donde se va a apoyar el horno debe de ser de madera contrachapada sólida u otro material similar y, sobre todo, la superficie tiene que estar a nivel, de lado a lado, y de atrás hacia adelante.

## 2. Requerimientos Eléctricos

Se debe proveer el voltaje y la frecuencia apropiados a este electrodoméstico, y conectarse a un circuito individual correctamente puesto a tierra, protegido por un interruptor o un fusible. Para conocer el interruptor o fusible que requiere su modelo, vea la placa serial para encontrar la consumación del vatiaje y referirse al figura 2 para encontrar el amperaje del interruptor o fusible.

| Grados de Vatios del electrodoméstico 240V | Se recomienda una protección al circuito | Grados de Vatios del electrodoméstico 208V | Se recomienda una protección al circuito |
|--|--|--|--|
| Menos de 4800W                             | 20A                                      | Menos de 4100W                             | 20A                                      |
| 4800W - 7200W                              | 30A                                      | 4100W - 6200W                              | 30A                                      |
| 7200W - 9600W                              | 40A                                      | 6200W - 8300W                              | 40A                                      |
| 9600W and +                                | 50A                                      | 8300W and +                                | 50A                                      |

Table A

## Observe todos los códigos que gobiernan y ordenanzas locales

1. Un cable de 3 o 4 alambres monofásico 120/240 o 120/208 voltios, 60 hertzios es la única fuente eléctrica que requiere en un circuito separado en ambos lados de la línea (alambre negro y alambre rojo) (se recomienda un fusible o un interruptor de retraso de tiempo). No funda a cable neutro (alambre blanco). Se debe de tener precaución al combinar un horno de pared y una cubierta, refiérase a la placa de seria de cada uno de los aparatos.

**NOTA:** Los tamaños y las conexiones del alambre deben conformarse con el tamaño del fusible y el grado de la aplicación de acuerdo con el código Eléctrico Nacional Americano ANSI/NFPA No. 70- ultima edición, o con el estándar CSA canadiense C22.1 , código eléctrico canadiense, parte 1, y códigos y ordenanzas locales.

**⚠ ADVERTENCIA** No se debiera usar extensiones para enchufar este electrodoméstico. Esto podría causar un incendio, choque eléctrico u otro tipo de daño personal. Si usted necesita un cable mas largo, puede ordenar un cable de 10" kit 903056-9010 llamando al centro de Servicio.

2. Este electrodoméstico debe conectarse a la caja de fusibles (o de cortocircuito), por medio de un cable blindado flexible o un cable con forro no metálico. El cable blindado flexible que va desde el electrodoméstico debe de estar conectado directamente a la caja de empalme. La caja de empalme debe de estar localizada en el lugar que se indica en la Figura 1 o 2, dejando tanto exceso de cable como sea posible entre la caja y el electrodoméstico, de forma que así el electrodoméstico se pueda mover fácilmente, si fuera necesario para hacer una reparación.
3. Se debe de usar un conector que reduzca la tirantez de una forma adecuada para unir el cable blindado flexible a la caja de empalme.



# INSTRUCCIONES DE INSTALACIÓN PARA EL COMBINACIÓN MICRO ONDAS / HORNO DE PARED

## ⚠ ADVERTENCIA

### Riesgo de choque eléctrico

- Una puesta a tierra se requiere en este aparato.
- No lo conecte a la corriente eléctrica hasta que el aparato haya sido puesto a tierra.
- Desconecte la corriente eléctrica a la caja de empalmes antes de hacer la conexión eléctrica.
- Este aparato debe estar conectado con un sistema de alambres puesto en tierra, metálico y permanente o un conector de puesta a tierra debe conectarse al terminal de puesta a tierra o el alambre conductor en el aparato.
- No utilice el suministro de gas para hacer la puesta a tierra.

La falta de cualquiera de las instrucciones mencionadas podría resultar en un incendio, choque eléctrico o lesiones personales.

**⚠ PRECAUCIÓN** En cuanto a las condiciones de despacho y almacenamiento en el invierno, asegúrese de que el horno llegue a su destino final como mínimo tres (3) horas antes de encenderlo. Si se enciende el horno cuando aún está frío, se pueden dañar los controles.

## 3. Conexión eléctrica

El usuario tiene la responsabilidad personal y obligación de utilizar un instalador calificado, para asegurar que la instalación eléctrica está hecha de forma adecuada y está conforme con el Código Eléctrico Nacional ANSI/NFPA No. 70-última edición en los Estados Unidos, o el Código Eléctrico Canadiense CSA Standard C22.1, Part 1, en Canadá.

**⚠ ADVERTENCIA** Riesgo de choque eléctrico (El no prestar atención a esta advertencia puede resultar en electrocución u otras lesiones graves.) Este electrodoméstico está equipado con alambre de cobre. Si se va a conectar con cableado de aluminio del hogar, utilizar únicamente conectores que están aprobados para unir cobre y aluminio de acuerdo al Código Nacional Eléctrico (NEC por sus siglas en inglés) y leyes y códigos locales. Al instalar conectores con tornillos que empujen directamente contra el acero y/o aluminio del conducto flexible, no apretar los tornillos suficientemente que dañen el conducto flexible. No doblar de más o deformar el conducto flexible para evitar separar el espiral y descubrir los alambres internos.

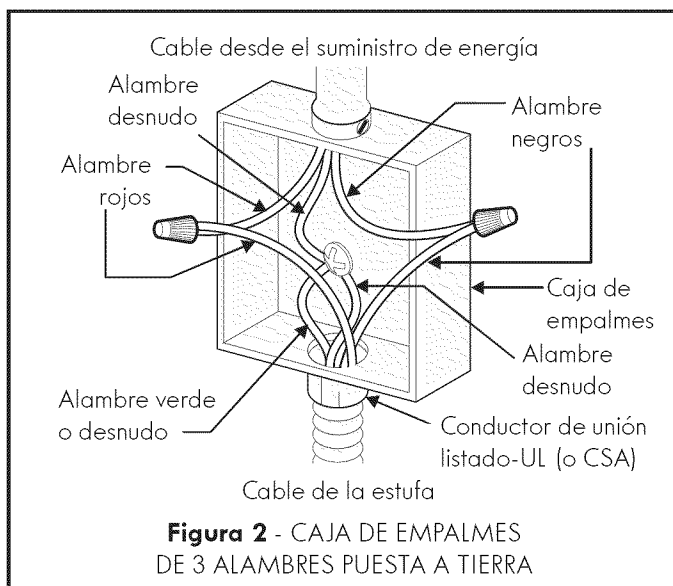
NO conecte el alambre puesto a tierra a una tubería de suministro de gas. NO conecte el suministro de energía eléctrica hasta que el electrodoméstico haya sido permanentemente puesto a tierra. Conecte el alambre de puesta a tierra antes de enchufar por primera vez el electrodoméstico.

**⚠ ADVERTENCIA** (Si su electrodoméstico está equipado con un conductor neutro blanco.) Este electrodoméstico está fabricado con un suministro eléctrico neutro blanco y un alambre de cobre conectado al armazón. El armazón está puesto a tierra por un enlace de la conexión a tierra con la conexión del neutro al final de la línea eléctrica, si es usado en los estados unidos una nueva instalación de circuito de bifurcación (1996 NEC), casa rodante, vehículos recreacionales, o donde los códigos locales no permitan poner a tierra mediante el neutro (blanco) o en Canadá, desconectar la conexión blanca de la verde y utilizar la conexión a tierra para poner a tierra la unidad de acuerdo a los códigos locales, conectar el neutro al circuito de bifurcación- conductor neutro de manera usual. Ver Figura 3. Si su electrodoméstico va a ser conectado a una caja de conexión puesta a tierra de 3 cables (en los estados unidos solamente), donde los códigos locales permitan conectar el conductor de poner a tierra- electrodoméstico con el neutro (blanco) ver Figura 2.

**NOTA AL ELECTRICISTA:** Los conductores de cable blindados provistos con este artefacto son aprobados por UL para la conexión al alambrado de casa de un calibre mayor. El aislamiento de los conductores está calificado para temperaturas más altas que las del alambrado de la casa. La capacidad de corriente del conductor está gobernada por la calificación de la temperatura del aislamiento alrededor del alambre en vez de solamente el calibre del alambre.

**Donde los códigos locales permitan conectar el conductor de puesta a tierra del electrodoméstico al neutral (blanco) (Solamente en los Estados Unidos) (vea figura 2):**

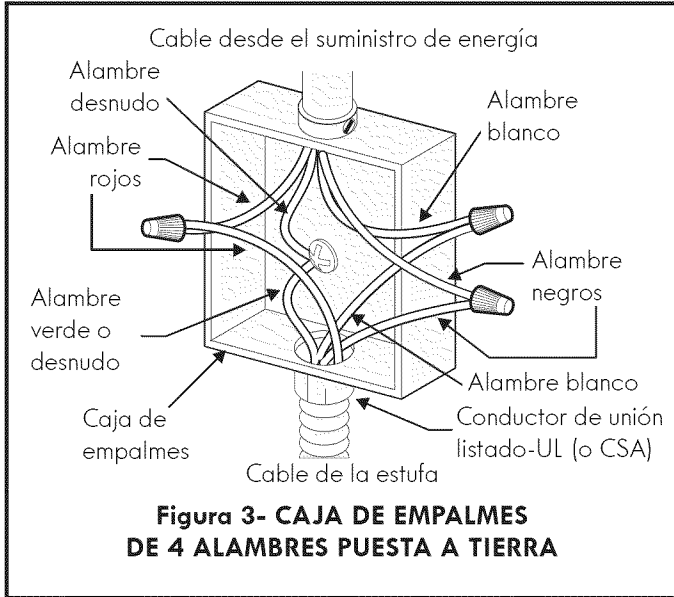
1. Desconecte el suministro eléctrico.
2. En el caja de juntas: conectar el aparato y los cables residenciales como se muestra en la figura 3.



# INSTRUCCIONES DE INSTALACIÓN PARA EL COMBINACIÓN MICRO ONDAS / HORNO DE PARED

Si el horno se usa en una instalación de circuito de ramal nuevo (1996 NEC), en una casa rodante, en un vehículo para recreación o si los códigos locales NO permiten la conexión a tierra a través del cable neutral (blanco), el armazón del electrodoméstico NO TIENE QUE estar conectado al alambre neutro del sistema eléctrico de 4 alambres. (ver figura 3):

1. Desconecte el suministro eléctrico
2. Separe el alambre verde (o cobre desnudo) y el alambre blanco del electrodoméstico.
3. En el caja de juntas: conectar el aparato y los cables residenciales como se muestra en la figura 3.

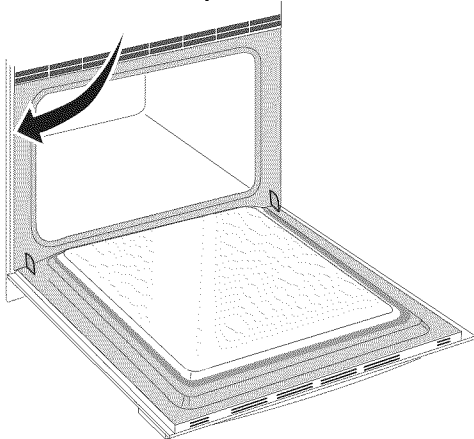


### Ubicación del número de modelo y de serie

La placa con el número de serie está ubicada en la guarnición interior lateral del horno y se puede ver cuando se abre la puerta.

Cuando haga pedidos de repuestos o solicite información con respecto a su horno, esté siempre seguro de incluir el número de modelo y de serie y el número o letra del lote de la placa de serie de su horno.

**La placa de serie está ubicada aquí.**



## 4. Instalación del Gabinete

### NOTA IMPORTANTE

No levante el horno por la manija de la puerta.

### ADVERTENCIA

#### Peligro de Peso Pesado

- Use 2 personas o más para mover e instalar el horno de pared.
- Si no cumple con esta instrucción, puede resultar en lesiones personales o daños al horno de pared

- 1 Desembalar el horno de pared. Extraer la guarnición inferior y central con cinta al panel lateral del horno.
- 2 Extraiga la puerta inferior del horno para aliviar el peso del electrodoméstico y facilitar su manipulación e instalación.

Para extraer la puerta del horno, siga los siguientes pasos:

#### Para retirar la puerta del horno:

1. Abra completamente la puerta del horno (dejándola horizontal en relación con el piso – vea la Figura 4A).
2. Tire de los bloqueos de ambas bisagras (izquierda y derecha) hacia abajo desde el marco del horno completamente hacia la puerta del horno (vea la Figura 4B). Es posible que necesite una herramienta como un destornillador pequeño de cabeza plana.
3. Sostenga firmemente ambos lados de la puerta del horno en sus costados (no use la manija de la puerta - vea la Figura 4C).
4. Cierre la puerta hasta el tope de asar (la puerta del horno se detendrá en esta posición justo antes de cerrarse completamente).
5. Con la puerta del horno en la posición de asar, levante los brazos de las bisagras de la puerta sobre los pasadores de rotación ubicados a cada lado del marco del horno (vea la Figura 4D).
6. Invierta los pasos para volver a colocar la puerta del horno. Asegúrese de que los soportes para bisagra estén bien acoplados antes de desbloquear las palancas para bisagras.

**NOTA:** La puerta es pesada. Para guardarla temporalmente de manera segura, deposite la puerta horizontalmente con el lado interior dirigido hacia abajo.

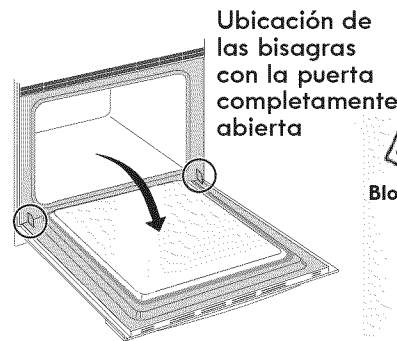


Figura 4A

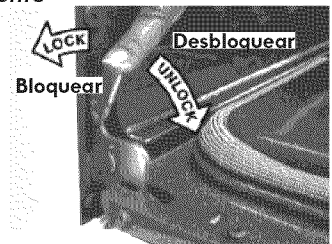
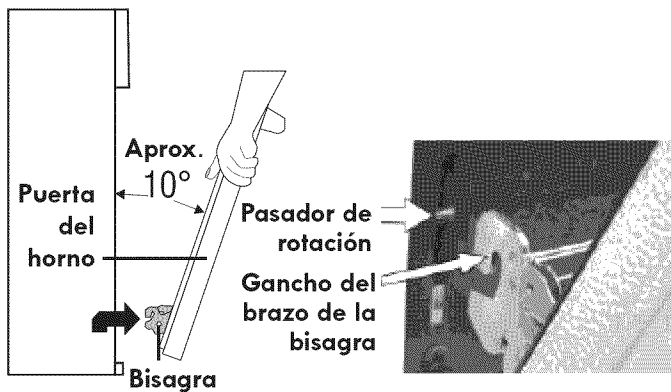


Figura 4B

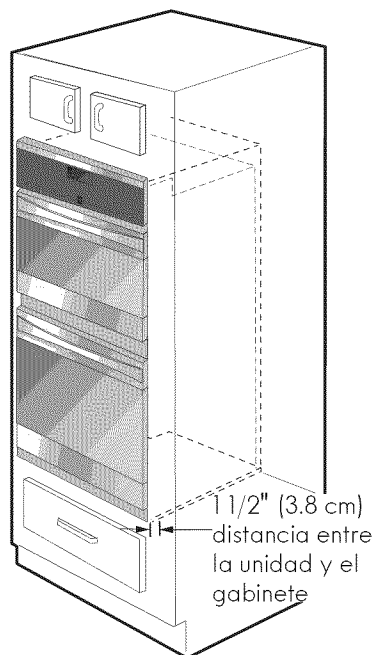
## INSTRUCCIONES DE INSTALACIÓN PARA EL COMBINACIÓN MICRO ONDAS / HORNO DE PARED



**Figura 4C**

**Figura 4D**

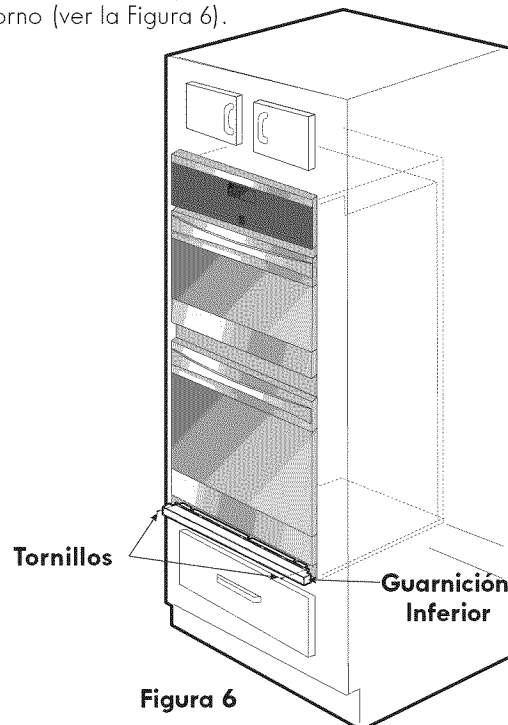
- 3** Quite todo el material de empaque del interior de los hornos y extraiga las parrillas inferiores y sus soportes (consulte la guía del propietario para obtener más instrucciones).
- 4** Buscar los tornillos que se incluyen en el paquete de literatura.
- 5** Insertar el horno en la abertura del gabinete. Deslizar el horno hacia dentro dejando 1½" (3,8 cm) de espacio libre entre el horno y la parte delantera del gabinete (ver la Figura 5).



**Figura 5**

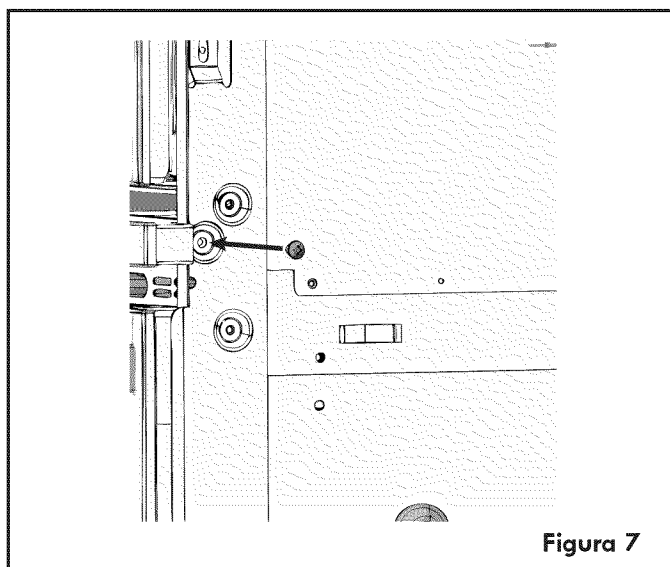
- 6** Empujar el cable blindado a través del orificio del gabinete y hacia la caja de paso mientras se desliza el accesorio hacia adentro.

- 7** Colocar la parte superior de la guarnición inferior sobre las lengüetas laterales del horno, debajo de la puerta del horno, y fijarlas usando los 2 tornillos provistos con los orificios de montaje ubicados a cada lado del marco del horno (ver la Figura 6).



**Figura 6**

- 8** Ahora instale la moldura central en ambos lados con los tornillos proporcionados con la unidad (figura 7).



**Figura 7**

## INSTRUCCIONES DE INSTALACIÓN PARA EL COMBINACIÓN MICRO ONDAS / HORNO DE PARED

### 9 Instalación de los tornillos de montaje

**⚠ ADVERTENCIA** El horno de pared puede inclinarse cuando la puerta está abierta. Los soportes de montaje que vienen con el horno de pared deben estar ajustados al armario y al aparato para evitar que el horno de pared se incline y ocasione quemaduras graves.

- Los barrenos en las molduras laterales pueden ser usadas como guía para localizar los tornillos de montaje de la unidad (figura 8).
- Use los dos tornillos proporcionados para colocar la unidad en la cabina.

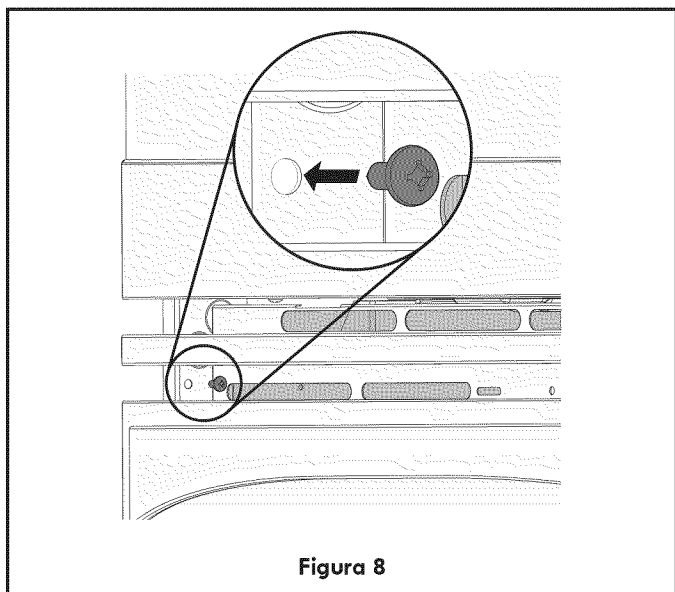


Figura 8

### 5. Asegúrese de que el horno de pared está a nivel

- Instale una rejilla al centro del horno superior (vea la Figura 9).
- Ponga un nivel por encima de la rejilla. Lea 2 veces, una vez con el nivel a la posición de lado a lado, y otra vez de atrás hacia adelante. Utilice trozo de madera o cuñas por debajo del horno de pared para nivelar, si sea necesario.

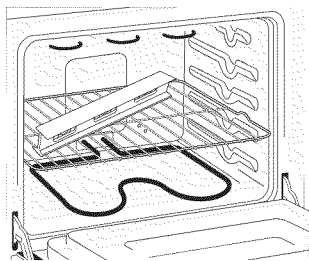


Figura 9

### IMPORTANTE

Un ventilador ubicado dentro de la parte trasera superior arriba del horno (en algunos modelos) permite la refrigeración de los componentes eléctricos y electrónicos de enfriamiento. Si el horno ha estado funcionando a altas temperaturas, el ventilador seguirá funcionando después de apagar el horno.

### 6. Verificación del funcionamiento

Su modelo está equipado con un **Control Electrónico de Horno**. Cada una de las funciones ha sido controlada en fábrica antes del despacho. Sin embargo, le sugerimos verificar el funcionamiento de los controles electrónicos una vez más. Consulte la **Guía de Uso y Cuidado** para ver el funcionamiento del horno.

- Extraer todos los elementos de la parte interior del horno.
- Encender el horno (Consultar la Guía de Uso y Cuidado.)
- Verificar el funcionamiento de los controles electrónicos del horno:

**Hornear** – Verificar que esta función caliente el horno.

Veinte minutos después de encender el horno, abrir la puerta y ver si se siente que el calor emana desde su interior.

**Asar**– Cuando se pone el horno para asar, el elemento de arriba del horno debe ponerse rojo.

**Convección (algunos modelos)**– Cuando se configura el horno en la función de horneado o asado por convección, ambos elementos se encienden cíclicamente, y el ventilador de convección comienza a funcionar. Cuando se abre la puerta del horno, el ventilador de convección deja de funcionar.

### Antes de llamar al servicio

Lea la sección Lista de Antes de Llamar en su Manual del Usuario. Esto le podrá ahorrar tiempo y gastos. Esta lista incluye ocurrencias comunes que no son el resultado de defectos de materiales o fabricación de este artefacto.

Lea la garantía y la información sobre el servicio en su **Manual del Usuario** para obtener el número de teléfono gratuito y la dirección del servicio.